

# ZUBEHÖR 1.1

rauch ORANGE **ZERLEGT**  
für Schwebetürenschränke



EASY  
SLIDE



Farbe	Modell-Nr.
Texline (naturfarbene Leinenoptik)	A0033



Dekor-Druck  
Texline

Lieferant: Rauch Möbelwerke GmbH

# ZUBEHÖR 1.1

rauch ORANGE ZERLEGT

## Einbaumöglichkeiten für Schubkasteneinsätze, Regaleinsätze und Hosenauszug

Schwebetürenschränke 2-türig	Schwebetürenschränke 3-türig	Schwebetürenschränke mit Schubkästen																																																																																																																																								
<p>↔ <b>136 cm</b></p> <table border="1"> <tr><td>67,5</td><td>67,5</td></tr> <tr><td>9860</td><td>9860</td></tr> <tr><td>9864</td><td>9864</td></tr> <tr><td>9KA1</td><td>9KA1</td></tr> <tr><td>9RA2</td><td>9RA2</td></tr> <tr><td>9MK0</td><td>9MK0</td></tr> </table>	67,5	67,5	9860	9860	9864	9864	9KA1	9KA1	9RA2	9RA2	9MK0	9MK0	<p>↔ <b>203 cm</b></p> <table border="1"> <tr><td>67,5</td><td>67,5</td><td>67,5</td></tr> <tr><td>9860</td><td>9860</td><td>9860</td></tr> <tr><td>9864</td><td>9864</td><td>9864</td></tr> <tr><td>9KA1</td><td>9KA1</td><td>9KA1</td></tr> <tr><td>9RA2</td><td>9RA2</td><td>9RA2</td></tr> <tr><td>07G2</td><td>07G2</td><td>9MK0</td></tr> <tr><td>9MK0</td><td>9MK0</td><td>9MK0</td></tr> </table>	67,5	67,5	67,5	9860	9860	9860	9864	9864	9864	9KA1	9KA1	9KA1	9RA2	9RA2	9RA2	07G2	07G2	9MK0	9MK0	9MK0	9MK0	<p>↔ <b>181 cm</b></p> <table border="1"> <tr><td>90</td><td>90</td></tr> <tr><td>9865</td><td>9865</td></tr> <tr><td>9866</td><td>9866</td></tr> <tr><td>9KA2</td><td>9KA2</td></tr> <tr><td>98M2</td><td>98M2</td></tr> <tr><td>9898</td><td>9898</td></tr> <tr><td>9RA1</td><td>9RA1</td></tr> <tr><td>07G1</td><td>07G1</td></tr> <tr><td>9SH0</td><td>9SH0</td></tr> <tr><td>9MK1</td><td>9MK1</td></tr> </table>	90	90	9865	9865	9866	9866	9KA2	9KA2	98M2	98M2	9898	9898	9RA1	9RA1	07G1	07G1	9SH0	9SH0	9MK1	9MK1																																																																																			
67,5	67,5																																																																																																																																									
9860	9860																																																																																																																																									
9864	9864																																																																																																																																									
9KA1	9KA1																																																																																																																																									
9RA2	9RA2																																																																																																																																									
9MK0	9MK0																																																																																																																																									
67,5	67,5	67,5																																																																																																																																								
9860	9860	9860																																																																																																																																								
9864	9864	9864																																																																																																																																								
9KA1	9KA1	9KA1																																																																																																																																								
9RA2	9RA2	9RA2																																																																																																																																								
07G2	07G2	9MK0																																																																																																																																								
9MK0	9MK0	9MK0																																																																																																																																								
90	90																																																																																																																																									
9865	9865																																																																																																																																									
9866	9866																																																																																																																																									
9KA2	9KA2																																																																																																																																									
98M2	98M2																																																																																																																																									
9898	9898																																																																																																																																									
9RA1	9RA1																																																																																																																																									
07G1	07G1																																																																																																																																									
9SH0	9SH0																																																																																																																																									
9MK1	9MK1																																																																																																																																									
<p>↔ <b>181 cm</b></p> <table border="1"> <tr><td>90</td><td>90</td></tr> <tr><td>9865</td><td>9865</td></tr> <tr><td>9866</td><td>9866</td></tr> <tr><td>9KA2</td><td>9KA2</td></tr> <tr><td>98M2</td><td>98M2</td></tr> <tr><td>9898</td><td>9898</td></tr> <tr><td>9RA1</td><td>9RA1</td></tr> <tr><td>07G1</td><td>07G1</td></tr> <tr><td>9SH0</td><td>9SH0</td></tr> <tr><td>9MK1</td><td>9MK1</td></tr> </table>	90	90	9865	9865	9866	9866	9KA2	9KA2	98M2	98M2	9898	9898	9RA1	9RA1	07G1	07G1	9SH0	9SH0	9MK1	9MK1	<p>↔ <b>271 cm</b></p> <table border="1"> <tr><td>90</td><td>90</td><td>90</td></tr> <tr><td>9865</td><td>9865</td><td>9865</td></tr> <tr><td>9866</td><td>9866</td><td>9866</td></tr> <tr><td>9KA2</td><td>9KA2</td><td>9KA2</td></tr> <tr><td>98M2</td><td>98M2</td><td>98M2</td></tr> <tr><td>9898</td><td>9898</td><td>9898</td></tr> <tr><td>9RA1</td><td>9RA1</td><td>9RA1</td></tr> <tr><td>07G1</td><td>07G1</td><td>07G1</td></tr> <tr><td>9SH0</td><td>9SH0</td><td>9SH0</td></tr> <tr><td>9MK1</td><td>9MK1</td><td>9MK1</td></tr> </table>	90	90	90	9865	9865	9865	9866	9866	9866	9KA2	9KA2	9KA2	98M2	98M2	98M2	9898	9898	9898	9RA1	9RA1	9RA1	07G1	07G1	07G1	9SH0	9SH0	9SH0	9MK1	9MK1	9MK1	<p>↔ <b>226 cm</b></p> <table border="1"> <tr><td>112,5</td><td>112,5</td></tr> <tr><td>9804</td><td>9804</td></tr> <tr><td>9806</td><td>9806</td></tr> <tr><td>9KA4</td><td>9KA4</td></tr> </table>	112,5	112,5	9804	9804	9806	9806	9KA4	9KA4																																																																														
90	90																																																																																																																																									
9865	9865																																																																																																																																									
9866	9866																																																																																																																																									
9KA2	9KA2																																																																																																																																									
98M2	98M2																																																																																																																																									
9898	9898																																																																																																																																									
9RA1	9RA1																																																																																																																																									
07G1	07G1																																																																																																																																									
9SH0	9SH0																																																																																																																																									
9MK1	9MK1																																																																																																																																									
90	90	90																																																																																																																																								
9865	9865	9865																																																																																																																																								
9866	9866	9866																																																																																																																																								
9KA2	9KA2	9KA2																																																																																																																																								
98M2	98M2	98M2																																																																																																																																								
9898	9898	9898																																																																																																																																								
9RA1	9RA1	9RA1																																																																																																																																								
07G1	07G1	07G1																																																																																																																																								
9SH0	9SH0	9SH0																																																																																																																																								
9MK1	9MK1	9MK1																																																																																																																																								
112,5	112,5																																																																																																																																									
9804	9804																																																																																																																																									
9806	9806																																																																																																																																									
9KA4	9KA4																																																																																																																																									
<p>↔ <b>226 cm</b></p> <table border="1"> <tr><td>90</td><td>90</td><td>45</td></tr> <tr><td>9845</td><td>9845</td><td>9845</td></tr> <tr><td>9895</td><td>9895</td><td>9895</td></tr> <tr><td>9KA3</td><td>9KA3</td><td>9KA3</td></tr> <tr><td>98M1</td><td>98M1</td><td>98M1</td></tr> <tr><td>9865</td><td>9843</td><td>9843</td></tr> <tr><td>9866</td><td>9893</td><td>9893</td></tr> <tr><td>9KA2</td><td>9KA0</td><td>9893</td></tr> <tr><td>98M2</td><td>9RA1</td><td>9KA0</td></tr> <tr><td>9898</td><td></td><td></td></tr> <tr><td>9RA1</td><td></td><td></td></tr> <tr><td>07G1</td><td></td><td></td></tr> <tr><td>9SH0</td><td></td><td></td></tr> <tr><td>9MK1</td><td></td><td></td></tr> </table> <table border="1"> <tr><td>112,5</td><td>112,5</td></tr> <tr><td>9804</td><td>9804</td></tr> <tr><td>9806</td><td>9806</td></tr> <tr><td>9KA4</td><td>9KA4</td></tr> </table>	90	90	45	9845	9845	9845	9895	9895	9895	9KA3	9KA3	9KA3	98M1	98M1	98M1	9865	9843	9843	9866	9893	9893	9KA2	9KA0	9893	98M2	9RA1	9KA0	9898			9RA1			07G1			9SH0			9MK1			112,5	112,5	9804	9804	9806	9806	9KA4	9KA4	<p>↔ <b>316 cm</b></p> <table border="1"> <tr><td>90</td><td>45</td><td>90</td><td>90</td></tr> <tr><td>9845</td><td>9845</td><td>9845</td><td>9845</td></tr> <tr><td>9895</td><td>9895</td><td>9895</td><td>9895</td></tr> <tr><td>9KA3</td><td>9KA3</td><td>9KA3</td><td>9KA3</td></tr> <tr><td>98M1</td><td>98M1</td><td>98M1</td><td>98M1</td></tr> <tr><td>9865</td><td>9865</td><td>9865</td><td>9865</td></tr> <tr><td>9866</td><td>9866</td><td>9866</td><td>9866</td></tr> <tr><td>9KA2</td><td>9843</td><td>9RA1</td><td>9KA2</td></tr> <tr><td>98M2</td><td>9893</td><td>9KA0</td><td>98M2</td></tr> <tr><td>9898</td><td>9898</td><td>9898</td><td>9898</td></tr> <tr><td>9RA1</td><td>9RA1</td><td>9RA1</td><td>9RA1</td></tr> <tr><td>07G1</td><td>07G1</td><td>07G1</td><td>07G1</td></tr> <tr><td>9SH0</td><td>9SH0</td><td>9SH0</td><td>9SH0</td></tr> <tr><td>9MK1</td><td>9MK1</td><td>9MK1</td><td>9MK1</td></tr> </table>	90	45	90	90	9845	9845	9845	9845	9895	9895	9895	9895	9KA3	9KA3	9KA3	9KA3	98M1	98M1	98M1	98M1	9865	9865	9865	9865	9866	9866	9866	9866	9KA2	9843	9RA1	9KA2	98M2	9893	9KA0	98M2	9898	9898	9898	9898	9RA1	9RA1	9RA1	9RA1	07G1	07G1	07G1	07G1	9SH0	9SH0	9SH0	9SH0	9MK1	9MK1	9MK1	9MK1	<p>↔ <b>271 cm</b></p> <table border="1"> <tr><td>90</td><td>90</td><td>90</td></tr> <tr><td>9865</td><td>9865</td><td>9865</td></tr> <tr><td>9866</td><td>9866</td><td>9866</td></tr> <tr><td>9KA2</td><td>9KA2</td><td>9KA2</td></tr> <tr><td>98M2</td><td>98M2</td><td>98M2</td></tr> <tr><td>9898</td><td>9898</td><td>9898</td></tr> <tr><td>9RA1</td><td>9RA1</td><td>9RA1</td></tr> <tr><td>07G1</td><td>07G1</td><td>07G1</td></tr> <tr><td>9SH0</td><td>9SH0</td><td>9SH0</td></tr> <tr><td>9MK1</td><td>9MK1</td><td>9MK1</td></tr> </table>	90	90	90	9865	9865	9865	9866	9866	9866	9KA2	9KA2	9KA2	98M2	98M2	98M2	9898	9898	9898	9RA1	9RA1	9RA1	07G1	07G1	07G1	9SH0	9SH0	9SH0	9MK1	9MK1	9MK1
90	90	45																																																																																																																																								
9845	9845	9845																																																																																																																																								
9895	9895	9895																																																																																																																																								
9KA3	9KA3	9KA3																																																																																																																																								
98M1	98M1	98M1																																																																																																																																								
9865	9843	9843																																																																																																																																								
9866	9893	9893																																																																																																																																								
9KA2	9KA0	9893																																																																																																																																								
98M2	9RA1	9KA0																																																																																																																																								
9898																																																																																																																																										
9RA1																																																																																																																																										
07G1																																																																																																																																										
9SH0																																																																																																																																										
9MK1																																																																																																																																										
112,5	112,5																																																																																																																																									
9804	9804																																																																																																																																									
9806	9806																																																																																																																																									
9KA4	9KA4																																																																																																																																									
90	45	90	90																																																																																																																																							
9845	9845	9845	9845																																																																																																																																							
9895	9895	9895	9895																																																																																																																																							
9KA3	9KA3	9KA3	9KA3																																																																																																																																							
98M1	98M1	98M1	98M1																																																																																																																																							
9865	9865	9865	9865																																																																																																																																							
9866	9866	9866	9866																																																																																																																																							
9KA2	9843	9RA1	9KA2																																																																																																																																							
98M2	9893	9KA0	98M2																																																																																																																																							
9898	9898	9898	9898																																																																																																																																							
9RA1	9RA1	9RA1	9RA1																																																																																																																																							
07G1	07G1	07G1	07G1																																																																																																																																							
9SH0	9SH0	9SH0	9SH0																																																																																																																																							
9MK1	9MK1	9MK1	9MK1																																																																																																																																							
90	90	90																																																																																																																																								
9865	9865	9865																																																																																																																																								
9866	9866	9866																																																																																																																																								
9KA2	9KA2	9KA2																																																																																																																																								
98M2	98M2	98M2																																																																																																																																								
9898	9898	9898																																																																																																																																								
9RA1	9RA1	9RA1																																																																																																																																								
07G1	07G1	07G1																																																																																																																																								
9SH0	9SH0	9SH0																																																																																																																																								
9MK1	9MK1	9MK1																																																																																																																																								
<p>↔ <b>271 cm</b></p> <table border="1"> <tr><td>90</td><td>90</td><td>90</td></tr> <tr><td>9845</td><td>9845</td><td>9845</td></tr> <tr><td>9895</td><td>9895</td><td>9895</td></tr> <tr><td>9KA3</td><td>9KA3</td><td>9KA3</td></tr> <tr><td>98M1</td><td>98M1</td><td>98M1</td></tr> <tr><td>9865</td><td>9865</td><td>9865</td></tr> <tr><td>9866</td><td>9866</td><td>9866</td></tr> <tr><td>9KA2</td><td>9KA2</td><td>9KA2</td></tr> <tr><td>98M2</td><td>98M2</td><td>98M2</td></tr> <tr><td>9898</td><td>9898</td><td>9898</td></tr> <tr><td>9RA1</td><td>9RA1</td><td>9RA1</td></tr> <tr><td>07G1</td><td>07G1</td><td>07G1</td></tr> <tr><td>9SH0</td><td>9SH0</td><td>9SH0</td></tr> <tr><td>9MK1</td><td>9MK1</td><td>9MK1</td></tr> </table>	90	90	90	9845	9845	9845	9895	9895	9895	9KA3	9KA3	9KA3	98M1	98M1	98M1	9865	9865	9865	9866	9866	9866	9KA2	9KA2	9KA2	98M2	98M2	98M2	9898	9898	9898	9RA1	9RA1	9RA1	07G1	07G1	07G1	9SH0	9SH0	9SH0	9MK1	9MK1	9MK1	<p>↔ <b>361 cm</b></p> <table border="1"> <tr><td>45</td><td>90</td><td>90</td><td>90</td><td>45</td></tr> <tr><td>9845</td><td>9845</td><td>9845</td><td>9845</td><td>9845</td></tr> <tr><td>9895</td><td>9895</td><td>9895</td><td>9895</td><td>9895</td></tr> <tr><td>9KA3</td><td>9KA3</td><td>9865</td><td>9KA3</td><td>9865</td></tr> <tr><td>98M1</td><td>98M1</td><td>9866</td><td>98M1</td><td>9866</td></tr> <tr><td>9865</td><td>9865</td><td>9KA2</td><td>9865</td><td>9865</td></tr> <tr><td>9866</td><td>9866</td><td>98M2</td><td>9866</td><td>9866</td></tr> <tr><td>9893</td><td>9KA2</td><td>9898</td><td>9KA2</td><td>9898</td></tr> <tr><td>98M2</td><td>9RA1</td><td>07G1</td><td>98M2</td><td>9898</td></tr> <tr><td>9898</td><td>9898</td><td>9SH0</td><td>9898</td><td>9898</td></tr> <tr><td>9RA1</td><td>9RA1</td><td>9MK1</td><td>9RA1</td><td>9898</td></tr> <tr><td>07G1</td><td>07G1</td><td>9MK1</td><td>07G1</td><td>9898</td></tr> <tr><td>9SH0</td><td>9SH0</td><td>9MK1</td><td>9SH0</td><td>9898</td></tr> <tr><td>9MK1</td><td>9MK1</td><td>9MK1</td><td>9MK1</td><td>9898</td></tr> </table>	45	90	90	90	45	9845	9845	9845	9845	9845	9895	9895	9895	9895	9895	9KA3	9KA3	9865	9KA3	9865	98M1	98M1	9866	98M1	9866	9865	9865	9KA2	9865	9865	9866	9866	98M2	9866	9866	9893	9KA2	9898	9KA2	9898	98M2	9RA1	07G1	98M2	9898	9898	9898	9SH0	9898	9898	9RA1	9RA1	9MK1	9RA1	9898	07G1	07G1	9MK1	07G1	9898	9SH0	9SH0	9MK1	9SH0	9898	9MK1	9MK1	9MK1	9MK1	9898																									
90	90	90																																																																																																																																								
9845	9845	9845																																																																																																																																								
9895	9895	9895																																																																																																																																								
9KA3	9KA3	9KA3																																																																																																																																								
98M1	98M1	98M1																																																																																																																																								
9865	9865	9865																																																																																																																																								
9866	9866	9866																																																																																																																																								
9KA2	9KA2	9KA2																																																																																																																																								
98M2	98M2	98M2																																																																																																																																								
9898	9898	9898																																																																																																																																								
9RA1	9RA1	9RA1																																																																																																																																								
07G1	07G1	07G1																																																																																																																																								
9SH0	9SH0	9SH0																																																																																																																																								
9MK1	9MK1	9MK1																																																																																																																																								
45	90	90	90	45																																																																																																																																						
9845	9845	9845	9845	9845																																																																																																																																						
9895	9895	9895	9895	9895																																																																																																																																						
9KA3	9KA3	9865	9KA3	9865																																																																																																																																						
98M1	98M1	9866	98M1	9866																																																																																																																																						
9865	9865	9KA2	9865	9865																																																																																																																																						
9866	9866	98M2	9866	9866																																																																																																																																						
9893	9KA2	9898	9KA2	9898																																																																																																																																						
98M2	9RA1	07G1	98M2	9898																																																																																																																																						
9898	9898	9SH0	9898	9898																																																																																																																																						
9RA1	9RA1	9MK1	9RA1	9898																																																																																																																																						
07G1	07G1	9MK1	07G1	9898																																																																																																																																						
9SH0	9SH0	9MK1	9SH0	9898																																																																																																																																						
9MK1	9MK1	9MK1	9MK1	9898																																																																																																																																						

## Einbaumöglichkeiten für Schubkasteneinsätze, Regaleinsätze und Hosenauszug

Dreh-/Schwebetürenschränke mit Schubkästen	Synchron-Schwebetürenschränke	Dreh- / Synchron-Schwebetürenschränke mit Schubkästen																																																																																										
<p>↔ 181 cm</p> <table border="1"> <tr><td>90</td><td>90</td></tr> <tr><td>9865</td><td>9865</td></tr> <tr><td>9866</td><td>9866</td></tr> <tr><td>9KA2</td><td>9KA2</td></tr> <tr><td>98M2</td><td>98M2</td></tr> <tr><td>9898</td><td>9898</td></tr> <tr><td>9RA1</td><td>9RA1</td></tr> <tr><td>9SH0</td><td>9SH0</td></tr> </table>	90	90	9865	9865	9866	9866	9KA2	9KA2	98M2	98M2	9898	9898	9RA1	9RA1	9SH0	9SH0	<p>↔ 271 cm</p> <table border="1"> <tr><td>67,5</td><td>67,5</td><td>67,5</td><td>67,5</td></tr> <tr><td>9860</td><td>9860</td><td>9860</td><td>9860</td></tr> <tr><td>9864</td><td>9864</td><td>9864</td><td>9864</td></tr> <tr><td>9KA1</td><td>9KA1</td><td>9KA1</td><td>9KA1</td></tr> <tr><td>9RA2</td><td>9RA2</td><td>9RA2</td><td>9RA2</td></tr> <tr><td>07G2</td><td>07G2</td><td>07G2</td><td>07G2</td></tr> </table>	67,5	67,5	67,5	67,5	9860	9860	9860	9860	9864	9864	9864	9864	9KA1	9KA1	9KA1	9KA1	9RA2	9RA2	9RA2	9RA2	07G2	07G2	07G2	07G2	<p>↔ 316 cm</p> <table border="1"> <tr><td>90</td><td>45</td><td>90</td><td>90</td></tr> <tr><td>9845</td><td>9845</td><td>9845</td><td>9845</td></tr> <tr><td>9895</td><td>9895</td><td>9895</td><td>9895</td></tr> <tr><td>9KA3</td><td>9KA3</td><td>9KA3</td><td>9KA3</td></tr> <tr><td>98M1</td><td>98M1</td><td>98M1</td><td>98M1</td></tr> <tr><td>9KA2</td><td>9KA2</td><td>9KA2</td><td>9KA2</td></tr> <tr><td>98M2</td><td>98M2</td><td>98M2</td><td>98M2</td></tr> <tr><td>9898</td><td>9898</td><td>9898</td><td>9898</td></tr> <tr><td>9RA1</td><td>9RA1</td><td>9RA1</td><td>9RA1</td></tr> <tr><td>07G1</td><td>07G1</td><td>07G1</td><td>07G1</td></tr> <tr><td>9SH0</td><td>9SH0</td><td>9SH0</td><td>9SH0</td></tr> </table>	90	45	90	90	9845	9845	9845	9845	9895	9895	9895	9895	9KA3	9KA3	9KA3	9KA3	98M1	98M1	98M1	98M1	9KA2	9KA2	9KA2	9KA2	98M2	98M2	98M2	98M2	9898	9898	9898	9898	9RA1	9RA1	9RA1	9RA1	07G1	07G1	07G1	07G1	9SH0	9SH0	9SH0	9SH0						
90	90																																																																																											
9865	9865																																																																																											
9866	9866																																																																																											
9KA2	9KA2																																																																																											
98M2	98M2																																																																																											
9898	9898																																																																																											
9RA1	9RA1																																																																																											
9SH0	9SH0																																																																																											
67,5	67,5	67,5	67,5																																																																																									
9860	9860	9860	9860																																																																																									
9864	9864	9864	9864																																																																																									
9KA1	9KA1	9KA1	9KA1																																																																																									
9RA2	9RA2	9RA2	9RA2																																																																																									
07G2	07G2	07G2	07G2																																																																																									
90	45	90	90																																																																																									
9845	9845	9845	9845																																																																																									
9895	9895	9895	9895																																																																																									
9KA3	9KA3	9KA3	9KA3																																																																																									
98M1	98M1	98M1	98M1																																																																																									
9KA2	9KA2	9KA2	9KA2																																																																																									
98M2	98M2	98M2	98M2																																																																																									
9898	9898	9898	9898																																																																																									
9RA1	9RA1	9RA1	9RA1																																																																																									
07G1	07G1	07G1	07G1																																																																																									
9SH0	9SH0	9SH0	9SH0																																																																																									
<p>↔ 226 cm</p> <table border="1"> <tr><td>67,5</td><td>90</td><td>67,5</td></tr> <tr><td>9860</td><td>9860</td><td>9860</td></tr> <tr><td>9864</td><td>9864</td><td>9864</td></tr> <tr><td>9KA1</td><td>9KA1</td><td>9KA1</td></tr> <tr><td>9RA2</td><td>9RA2</td><td>9RA2</td></tr> <tr><td>07G2</td><td>07G2</td><td>07G2</td></tr> </table>	67,5	90	67,5	9860	9860	9860	9864	9864	9864	9KA1	9KA1	9KA1	9RA2	9RA2	9RA2	07G2	07G2	07G2	<p>↔ 316 cm</p> <table border="1"> <tr><td>90</td><td>45</td><td>90</td><td>90</td></tr> <tr><td>9865</td><td>9865</td><td>9865</td><td>9865</td></tr> <tr><td>9866</td><td>9866</td><td>9866</td><td>9866</td></tr> <tr><td>9KA2</td><td>9KA2</td><td>9KA2</td><td>9KA2</td></tr> <tr><td>98M2</td><td>98M2</td><td>98M2</td><td>98M2</td></tr> <tr><td>9898</td><td>9898</td><td>9898</td><td>9898</td></tr> <tr><td>9RA1</td><td>9RA1</td><td>9RA1</td><td>9RA1</td></tr> <tr><td>07G1</td><td>07G1</td><td>07G1</td><td>07G1</td></tr> <tr><td>9SH0</td><td>9SH0</td><td>9SH0</td><td>9SH0</td></tr> </table>	90	45	90	90	9865	9865	9865	9865	9866	9866	9866	9866	9KA2	9KA2	9KA2	9KA2	98M2	98M2	98M2	98M2	9898	9898	9898	9898	9RA1	9RA1	9RA1	9RA1	07G1	07G1	07G1	07G1	9SH0	9SH0	9SH0	9SH0	<p>↔ 361 cm</p> <table border="1"> <tr><td>90</td><td>90</td><td>90</td><td>90</td></tr> <tr><td>9865</td><td>9865</td><td>9865</td><td>9865</td></tr> <tr><td>9866</td><td>9866</td><td>9866</td><td>9866</td></tr> <tr><td>9KA2</td><td>9KA2</td><td>9KA2</td><td>9KA2</td></tr> <tr><td>98M2</td><td>98M2</td><td>98M2</td><td>98M2</td></tr> <tr><td>9898</td><td>9898</td><td>9898</td><td>9898</td></tr> <tr><td>9RA1</td><td>9RA1</td><td>9RA1</td><td>9RA1</td></tr> <tr><td>07G1</td><td>07G1</td><td>07G1</td><td>07G1</td></tr> <tr><td>9SH0</td><td>9SH0</td><td>9SH0</td><td>9SH0</td></tr> </table>	90	90	90	90	9865	9865	9865	9865	9866	9866	9866	9866	9KA2	9KA2	9KA2	9KA2	98M2	98M2	98M2	98M2	9898	9898	9898	9898	9RA1	9RA1	9RA1	9RA1	07G1	07G1	07G1	07G1	9SH0	9SH0	9SH0	9SH0
67,5	90	67,5																																																																																										
9860	9860	9860																																																																																										
9864	9864	9864																																																																																										
9KA1	9KA1	9KA1																																																																																										
9RA2	9RA2	9RA2																																																																																										
07G2	07G2	07G2																																																																																										
90	45	90	90																																																																																									
9865	9865	9865	9865																																																																																									
9866	9866	9866	9866																																																																																									
9KA2	9KA2	9KA2	9KA2																																																																																									
98M2	98M2	98M2	98M2																																																																																									
9898	9898	9898	9898																																																																																									
9RA1	9RA1	9RA1	9RA1																																																																																									
07G1	07G1	07G1	07G1																																																																																									
9SH0	9SH0	9SH0	9SH0																																																																																									
90	90	90	90																																																																																									
9865	9865	9865	9865																																																																																									
9866	9866	9866	9866																																																																																									
9KA2	9KA2	9KA2	9KA2																																																																																									
98M2	98M2	98M2	98M2																																																																																									
9898	9898	9898	9898																																																																																									
9RA1	9RA1	9RA1	9RA1																																																																																									
07G1	07G1	07G1	07G1																																																																																									
9SH0	9SH0	9SH0	9SH0																																																																																									
<p>↔ 271 cm</p> <table border="1"> <tr><td>90</td><td>90</td><td>90</td></tr> <tr><td>9865</td><td>9865</td><td>9865</td></tr> <tr><td>9866</td><td>9866</td><td>9866</td></tr> <tr><td>9KA2</td><td>9KA2</td><td>9KA2</td></tr> <tr><td>98M2</td><td>98M2</td><td>98M2</td></tr> <tr><td>9898</td><td>9898</td><td>9898</td></tr> <tr><td>9RA1</td><td>9RA1</td><td>9RA1</td></tr> <tr><td>07G1</td><td>07G1</td><td>07G1</td></tr> <tr><td>9SH0</td><td>9SH0</td><td>9SH0</td></tr> </table>	90	90	90	9865	9865	9865	9866	9866	9866	9KA2	9KA2	9KA2	98M2	98M2	98M2	9898	9898	9898	9RA1	9RA1	9RA1	07G1	07G1	07G1	9SH0	9SH0	9SH0	<p>↔ 361 cm</p> <table border="1"> <tr><td>90</td><td>90</td><td>90</td><td>90</td></tr> <tr><td>9865</td><td>9865</td><td>9865</td><td>9865</td></tr> <tr><td>9866</td><td>9866</td><td>9866</td><td>9866</td></tr> <tr><td>9KA2</td><td>9KA2</td><td>9KA2</td><td>9KA2</td></tr> <tr><td>98M2</td><td>98M2</td><td>98M2</td><td>98M2</td></tr> <tr><td>9898</td><td>9898</td><td>9898</td><td>9898</td></tr> <tr><td>9RA1</td><td>9RA1</td><td>9RA1</td><td>9RA1</td></tr> <tr><td>07G1</td><td>07G1</td><td>07G1</td><td>07G1</td></tr> <tr><td>9SH0</td><td>9SH0</td><td>9SH0</td><td>9SH0</td></tr> </table>	90	90	90	90	9865	9865	9865	9865	9866	9866	9866	9866	9KA2	9KA2	9KA2	9KA2	98M2	98M2	98M2	98M2	9898	9898	9898	9898	9RA1	9RA1	9RA1	9RA1	07G1	07G1	07G1	07G1	9SH0	9SH0	9SH0	9SH0																												
90	90	90																																																																																										
9865	9865	9865																																																																																										
9866	9866	9866																																																																																										
9KA2	9KA2	9KA2																																																																																										
98M2	98M2	98M2																																																																																										
9898	9898	9898																																																																																										
9RA1	9RA1	9RA1																																																																																										
07G1	07G1	07G1																																																																																										
9SH0	9SH0	9SH0																																																																																										
90	90	90	90																																																																																									
9865	9865	9865	9865																																																																																									
9866	9866	9866	9866																																																																																									
9KA2	9KA2	9KA2	9KA2																																																																																									
98M2	98M2	98M2	98M2																																																																																									
9898	9898	9898	9898																																																																																									
9RA1	9RA1	9RA1	9RA1																																																																																									
07G1	07G1	07G1	07G1																																																																																									
9SH0	9SH0	9SH0	9SH0																																																																																									
<p>↔ 271 cm</p> <table border="1"> <tr><td>90</td><td>90</td><td>90</td></tr> <tr><td>9898</td><td>9898</td><td>9898</td></tr> <tr><td>9RA1</td><td>9RA1</td><td>9RA1</td></tr> <tr><td>07G1</td><td>07G1</td><td>07G1</td></tr> <tr><td>9SH0</td><td>9SH0</td><td>9SH0</td></tr> </table>	90	90	90	9898	9898	9898	9RA1	9RA1	9RA1	07G1	07G1	07G1	9SH0	9SH0	9SH0																																																																													
90	90	90																																																																																										
9898	9898	9898																																																																																										
9RA1	9RA1	9RA1																																																																																										
07G1	07G1	07G1																																																																																										
9SH0	9SH0	9SH0																																																																																										




# ZUBEHÖR 1.1

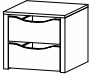



rauch ORANGE ZERLEGT

für Schwebetürenschränke

Elementbreite 45, 67,5, 90, 112,5 cm




Farbe	Modell-Nr.
Textline (naturfarbene Leinenoptik)	A0033





ELEMENTBREITE ▶		45	45	45	
					
		<b>Fachboden</b> für Elementbreite 45cm ↔43 cm ↓1,6 cm ↗48 cm	<b>Schuhablageböden</b> mit Leisten für Elementbreite 45cm ↔43 cm ↓1,6 cm ↗37 cm	<b>Kleiderstange</b> für Elementbreite 45cm ↔43 cm ↓3 cm ↗2 cm	
1 Stück		<b>9664</b>		<b>9737</b>	
2er Set		<b>9665</b>	<b>9FE2</b>		
3er Set		<b>9666</b>	<b>9FE3</b>		
5er Set		<b>9667</b>			

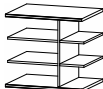


ELEMENTBREITE ▶		45	45	45	45
Bitte unbedingt die Einbaumöglichkeiten in Schwebetürenschränke auf Seite 2/3 beachten.					
		<b>Schubkasteneinsatz</b> mit 2 Schubkästen für Elementbreite 45cm ↔43 cm ↓39 cm ↗45 cm	<b>Schubkasteneinsatz</b> mit 3 Schubkästen für Elementbreite 45cm ↔43 cm ↓57 cm ↗45 cm	<b>Schubkasteneinsatz</b> mit 4 Schubkästen für Elementbreite 45cm ↔43 cm ↓80 cm ↗45 cm	<b>Stoffkiste</b> 2er Set (4 kleine, 2 große Boxen) ↔31 cm ↓8 cm ↗39 cm
	Artikel	<b>9843</b>	<b>9893</b>	<b>9KA0</b>	<b>9380</b>

für Schwebetürenschränke  
Elementbreite 45, 67,5, 90, 112,5 cm

Farbe	Modell-Nr.
Texline (naturfarbene Leinenoptik)	A0033

ELEMENTBREITE ▶		67,5	67,5	67,5	
					
		Fachboden für Elementbreite 66cm ↔66 cm ↑1,6 cm ↘48 cm	Schuhablageböden mit Leisten für Elementbreite 66cm ↔66 cm ↑1,6 cm ↘37 cm	Kleiderstange für Elementbreite 66cm ↔65 cm ↑3 cm ↘2 cm	
1 Stück		<b>9668</b>		<b>9743</b>	
2er Set		<b>9669</b>	<b>9FG2</b>		
3er Set		<b>9670</b>	<b>9FG3</b>		
5er Set		<b>9671</b>			

ELEMENTBREITE ▶		67,5	67,5	67,5	67,5
	Bitte unbedingt die Einbaumöglichkeiten in Schwebetürenschränke auf Seite 2/3 beachten.				
		Schubkasteneinsatz mit 2 Schubkästen für Elementbreite 66cm ↔66 cm ↑39 cm ↘45 cm	Schubkasteneinsatz mit 3 Schubkästen für Elementbreite 66cm ↔66 cm ↑57 cm ↘45 cm	Schubkasteneinsatz mit 4 Schubkästen eingerückt für Elementbreite 67cm ↔66 cm ↑81 cm ↘45 cm	Stoffkiste 3er Set (6 kleine, 3 große Boxen) ↔47 cm ↑8 cm ↘39 cm
Artikel		<b>9864</b>	<b>9860</b>	<b>9KA1</b>	<b>9381</b>

ELEMENTBREITE ▶		67,5	67,5	67,5	
	Regaleinsätze nur wie abgebildet montierbar. Umbau auf rechts nicht möglich!				
	Bitte unbedingt die Einbaumöglichkeiten in Schwebetürenschränke auf Seite 2/3 beachten.	Regaleinsatz für Elementbreite 67cm ↔66 cm ↑60 cm ↘50 cm	Regaleinsatz incl. 3 Stoffkisten für Elementbreite 67cm ↔66 cm ↑60 cm ↘50 cm	Meshkorb-Einsatz ↔66 cm ↑50 cm ↘50 cm	
Artikel		<b>9RA2</b>	<b>07G2</b>	<b>9MK0</b>	





# ZUBEHÖR 1.1


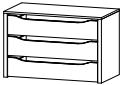
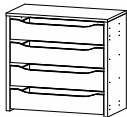
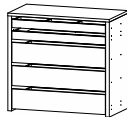

rauch ORANGE ZERLEGT


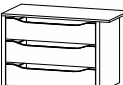



für Schwebetürenschränke

Elementbreite 45, 67,5, 90, 112,5 cm

Farbe	Modell-Nr.
Texline (naturfarbene Leinenoptik)	A0033

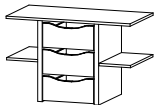
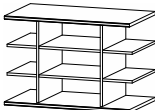
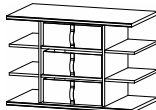

ELEMENTBREITE ▶	90	90	90	90
				
	<b>Fachboden</b> für Elementbreite 90cm ↔88 cm †1,6 cm ↗48 cm	<b>Schuhablageböden</b> mit Leisten für Elementbreite 90cm ↔88 cm †13 cm ↗37 cm	<b>Kleiderstange</b> für Elementbreite 90cm ↔87 cm †3 cm ↗2 cm	<b>Hosenauszug</b> für Elementbreite 90cm ↔88 cm †10 cm ↗50 cm
1 Stück	<b>9672</b>		<b>9736</b>	<b>9SH0</b>
2er Set	<b>9673</b>	<b>9FH2</b>		Bitte unbedingt die Einbaumöglichkeiten in Schwebetürenschränke auf Seite 2/3 beachten.
3er Set	<b>9674</b>	<b>9FH3</b>		
5er Set	<b>9675</b>			

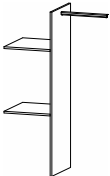
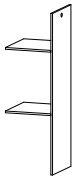
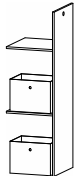
ELEMENTBREITE ▶	90	90	90	90	90
Bitte unbedingt die Einbaumöglichkeiten in Schwebetürenschränke auf Seite 2/3 beachten.					
	<b>Schubkasteneinsatz</b> mit 2 Schubkästen für Elementbreite 90cm ↔88 cm †39 cm ↗45 cm	<b>Schubkasteneinsatz</b> mit 3 Schubkästen für Elementbreite 90cm ↔88 cm †57 cm ↗45 cm	<b>Schubkasteneinsatz</b> mit 4 Schubkästen für Elementbreite 90cm ↔88 cm †81 cm ↗45 cm	<b>Schubkasteneinsatz</b> mit Inneneinteilung für Elementbreite 90cm ↔88 cm †81 cm ↗45 cm	<b>Stoffkiste</b> 5er Set (10 kleine, 5 große Boxen) ↔78 cm †8 cm ↗39 cm
	Artikel	<b>9845</b>	<b>9895</b>	<b>9KA3</b>	<b>98M1</b>

ELEMENTBREITE ▶	90	90	90	90	90
Bitte unbedingt die Einbaumöglichkeiten in Schwebetürenschränke auf Seite 2/3 beachten.					
	<b>Schubkasteneinsatz</b> mit 2 Schubkästen für Elementbreite 90cm ↔88 cm †39 cm ↗45 cm	<b>Schubkasteneinsatz</b> mit 3 Schubkästen für Elementbreite 90cm ↔88 cm †57 cm ↗45 cm	<b>Schubkasteneinsatz</b> mit 4 Schubkästen eingerückt für Elementbreite 90cm ↔88 cm †81 cm ↗45 cm	<b>Schubkasteneinsatz</b> mit 5 Schubkästen eingerückt für Elementbreite 90cm ↔88 cm †81 cm ↗45 cm	<b>Stoffkiste für Schubkasteneinsatz eingerückt</b> 4er Set (8 kleine, 4 große Boxen) ↔62 cm †8 cm ↗39 cm
	Artikel	<b>9865</b>	<b>9866</b>	<b>9KA2</b>	<b>98M2</b>

für Schwebetürenschränke  
Elementbreite 45, 67,5, **90**, 112,5 cm

Farbe	Modell-Nr.
Texline (naturfarbene Leinenoptik)	A0033

ELEMENTBREITE ▶	90	90	90	90
Bitte unbedingt die Einbaumöglichkeiten in Schwebetürenschränke auf Seite 2/3 beachten.				
	<b>Schubkasteneinsatz</b>	<b>Regaleinsatz</b>	<b>Regaleinsatz</b>	<b>Meshkorb-Einsatz</b>
	für Elementbreite 90cm mit 3 Schubkästen mit Ablagen	für Elementbreite 90cm	incl. 3 Stoffkisten für Elementbreite 90cm	
	↔88 cm ↓57 cm ↗45 cm	↔88 cm ↓60 cm ↗50 cm	↔88 cm ↓60 cm ↗50 cm	↔88 cm ↓50 cm ↗50 cm
Artikel	<b>9898</b>	<b>9RA1</b>	<b>07G1</b>	<b>9MK1</b>

ELEMENTBREITE ▶	90	90	90
Inneneinteilungen nicht möglich bei Elementen mit Schubkästen!			
	<b>Inneneinteilung</b>	<b>Inneneinteilung</b>	<b>Inneneinteilung</b>
	mit 2 Fachböden mit Kleiderstange für Elementbreite 90cm	mit 2 Fachböden	incl. 2 Stoffkisten
	↔88 cm ↓147 cm ↗48 cm	↔45 cm ↓147 cm ↗48 cm	↔45 cm ↓147 cm ↗48 cm
Artikel	<b>9991</b>	<b>9955</b>	<b>93H1</b>



# ZUBEHÖR 1.1


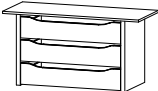
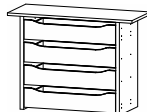

rauch ORANGE ZERLEGT

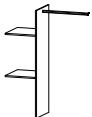

für Schwebetürenschränke

Elementbreite 45, 67,5, 90, 112,5 cm

Farbe	Modell-Nr.
Texline (naturfarbene Leinenoptik)	A0033





ELEMENTBREITE ▶		112,5	112,5		
Aus konstruktiven Gründen ist bei Elementbreite 112,5 cm der Fachboden in der Stärke 2,2 cm.					
		<b>Fachboden</b> für Elementbreite 112,5cm ↔111 cm ↓2 cm ↗48 cm	<b>Kleiderstange</b> für Elementbreite 112,5cm ↔110 cm ↓3 cm ↗2 cm		
		<b>1 Stück</b>	<b>9F01</b>	<b>9709</b>	
<b>2er Set</b>		<b>9F02</b>			
<b>3er Set</b>		<b>9F03</b>			




ELEMENTBREITE ▶		112,5	112,5	112,5	112,5
Bitte unbedingt die Einbaumöglichkeiten in Schwebetürenschränke auf Seite 2/3 beachten.					
		<b>Schubkasteneinsatz</b> mit 2 Schubkästen für Elementbreite 112,5cm ↔111 cm ↓39 cm ↗45 cm	<b>Schubkasteneinsatz</b> mit 3 Schubkästen für Elementbreite 112,5cm ↔111 cm ↓57 cm ↗45 cm	<b>Schubkasteneinsatz</b> mit 4 Schubkästen eingerückt für Elementbreite 112cm ↔111 cm ↓81 cm ↗45 cm	<b>Stoffkiste</b> 5er Set (10 kleine, 5 große Boxen) ↔78 cm ↓8 cm ↗39 cm
		<b>Artikel</b>	<b>9804</b>	<b>9806</b>	<b>9KA4</b>





ELEMENTBREITE ▶		112,5	112,5		
		Inneneinteilungen nicht möglich bei Elementen mit Schubkästen!			
					
		<b>Inneneinteilung</b> mit 2 Fachböden mit Kleiderstange für Elementbreite 112,5cm ↔110 cm ↓147 cm ↗48 cm	<b>Inneneinteilung</b> mit 2 Fachböden ↔45 cm ↓147 cm ↗48 cm		
<b>Artikel</b>		<b>9939</b>	<b>9955</b>		



Farbe	Modell-Nr.
Texline (naturfarbene Leinenoptik)	A0033

ALLGEMEIN		Schwebetürendämpfer rauch EASY SLIDE für Schwebetürenschränke			
					
	Schwebetürendämpfer 2er Set EASY SLIDE		Mitteltürendämpfer, 1 Stück EASY SLIDE		Schwebetürendämpfer, 1 Stück EASY SLIDE
	für 2- und 3-trg. Schwebetürenschränke		für 3-trg. Schwebetürenschränke,		für Dreh-/Schwebetürenschränke (1 Schwebetüre)
	Dämpft den Türanschlag an die Außenseiten.		Mitteltürendämpfer		links oder rechts montierbar!
↔5 cm ↓2 cm ↗27 cm		↔4 cm ↓2 cm ↗28 cm		↔5 cm ↓2 cm ↗27 cm	
Artikel	Preis	<b>9DC2</b>	<b>9DC4</b>	<b>9DC1</b>	

ALLGEMEIN		Schwebetürendämpfer rauch EASY SLIDE für Synchron-Schwebetürenschränke			
					
	Schwebetürendämpfer 3er Set		Schwebetürendämpfer 3er Set		
	<u>NUR</u> für Synchron-Schwebetürenschränke Breite 271, 361 cm, 4-türig		<u>NUR</u> für Synchron-Schwebetürenschränke Breite 316 cm, 4-türig		
	Artikel	Preis	<b>9DC3</b>	<b>9DS5</b>	



ALLGEMEIN							
							
Stoffkiste		Stoffkiste		Stoffkiste		Stoffkiste	
für Regal		mit Deckel für Regal		mit Deckel 2er Set für Regal		mit Deckel 3er Set für Regal	
↔41 cm ↓16 cm ↗41 cm		↔26 cm ↓18 cm ↗40 cm		↔26 cm ↓18 cm ↗40 cm		↔26 cm ↓18 cm ↗40 cm	
Artikel	Preis	<b>9384</b>	<b>9385</b>	<b>9386</b>	<b>9387</b>		

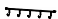


# ZUBEHÖR 1.1

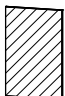
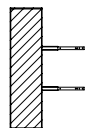
rauch ORANGE ZERLEGT

Allgemein

Farbe	Modell-Nr.
Texline (naturfarbene Leinenoptik)	A0033

ALLGEMEIN		Zubehör für Nachttische und Kommoden.		
				
		Schubkasteneinteilung mit 3 Fächern	Schubkasteneinteilung mit 6 Fächern	
		↔39 cm ↑10 cm ↗33 cm	↔79 cm ↑10 cm ↗33 cm	
Artikel		<b>9S91</b>	<b>9S92</b>	

ALLGEMEIN				
				
		Hakenleiste	Hosenhalter	Garderobenhalter
		↔35 cm ↑5 cm ↗5 cm	↔25 cm ↑7 cm ↗46 cm	↔7 cm ↑52 cm ↗28 cm
Artikel	Preis	<b>9HL1</b>	<b>990H</b>	<b>9767</b>

ALLGEMEIN				
				
		Hängespiegel	Innenspiegel	
		↔60 cm ↑90 cm ↗2 cm	Spiegelbreite 31cm drehbar ausziehbar von 45cm auf 73cm ↔46 cm ↑115 cm ↗4 cm	
Artikel	Preis	<b>98A7</b>	<b>9408</b>	

Farbe	Modell-Nr.
Texline (naturfarbene Leinenoptik)	A0033

ALLGEMEIN	
<p><b>9T1B</b></p> <p>Innenbeleuchtung mit Bewegungsmelder LED-Leuchte ↔23 cm ↓2 cm ↗11 cm</p>	
	<p><b>99LP</b></p> <p>LED-Leuchte 2er Set schwenkbar für Bett 2 x ↔17 cm ↓49 cm ↗17 cm</p>
	<p>Dieses Produkt enthält eine Lichtquelle der Energieeffizienzklasse G. EPREL 762229</p>
Artikel	Preis

ALLGEMEIN	
<p><b>9L48</b></p> <p><b>9L49</b></p> <p>Leuchten nicht möglich bei Synchron-Schwebetüren-schränken!</p>	
	<p>Dieses Produkt enthält eine Lichtquelle der Energieeffizienzklasse G. EPREL 766530</p>
	<p>LED-Leuchte 2er Set alu Linea-Stixx ↔35 cm ↓6 cm ↗19 cm</p>
	<p>Dieses Produkt enthält eine Lichtquelle der Energieeffizienzklasse G.</p>
Zer Set	Preis
3er Set	Preis

ALLGEMEIN	
<p><b>9BB0</b></p> <p><b>9BB1</b></p> <p><b>9BB2</b></p>	
	<p>Dieses Produkt enthält eine Lichtquelle der Energieeffizienzklasse G.</p>
	<p>LED-Leuchte mit Bewegungsmelder LED-Leuchte ↔4 cm ↓2 cm ↗10 cm</p>
	<p>Dieses Produkt enthält eine Lichtquelle der Energieeffizienzklasse G.</p>
1 Stück	Preis
Zer Set	Preis
3er Set	Preis

# ZUBEHÖR 1.1

rauch ORANGE ZERLEGT

ZUBEHÖR 1.1	rauch ORANGE ZERLEGT			

ZUBEHÖR 1.1	rauch ORANGE ZERLEGT			

ZUBEHÖR 1.1	rauch ORANGE ZERLEGT			