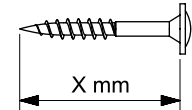
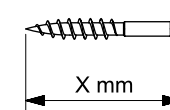
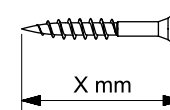
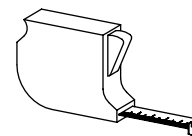
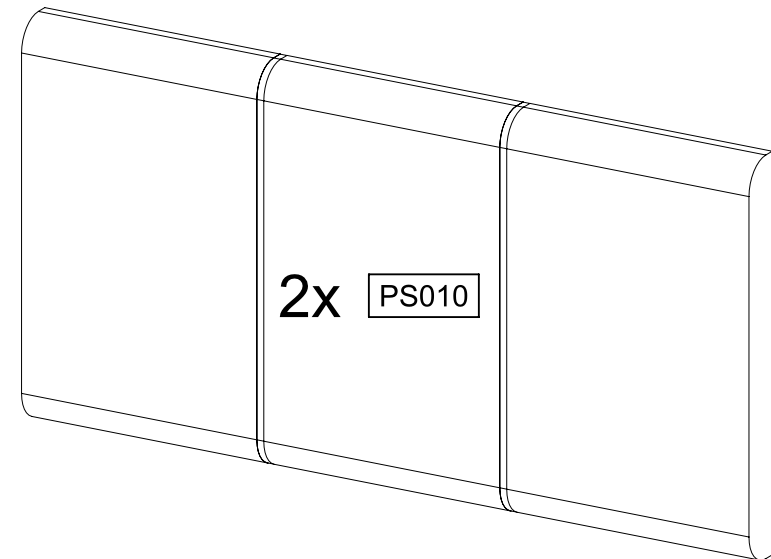
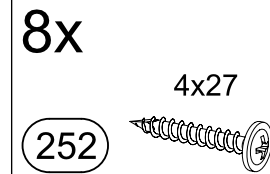
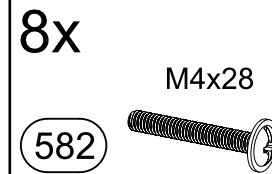
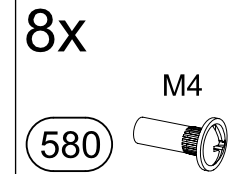
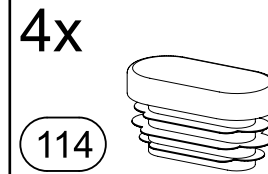
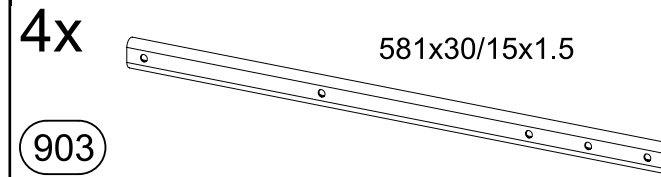
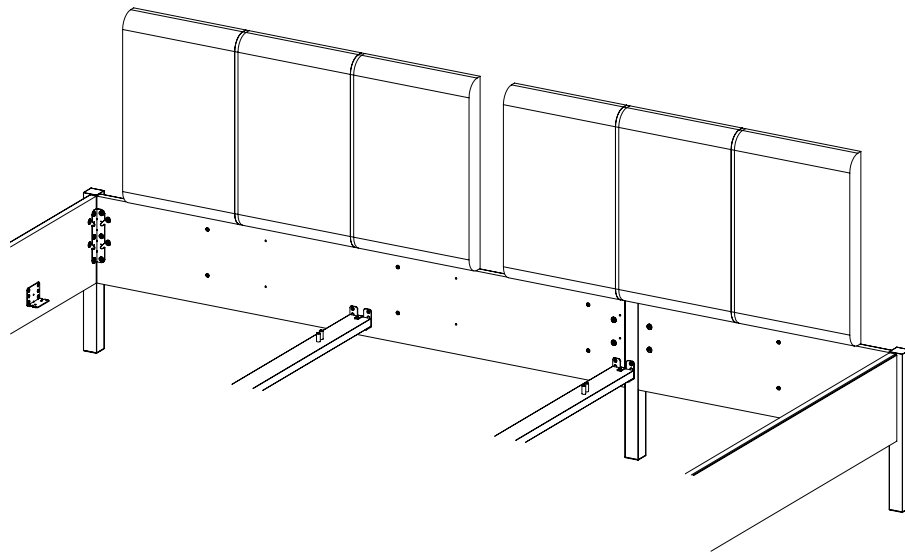
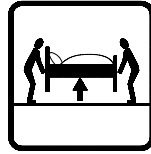
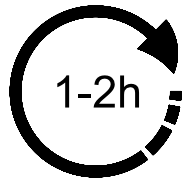
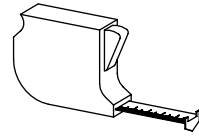
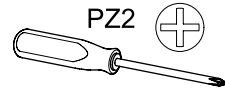
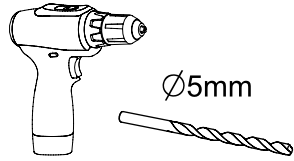
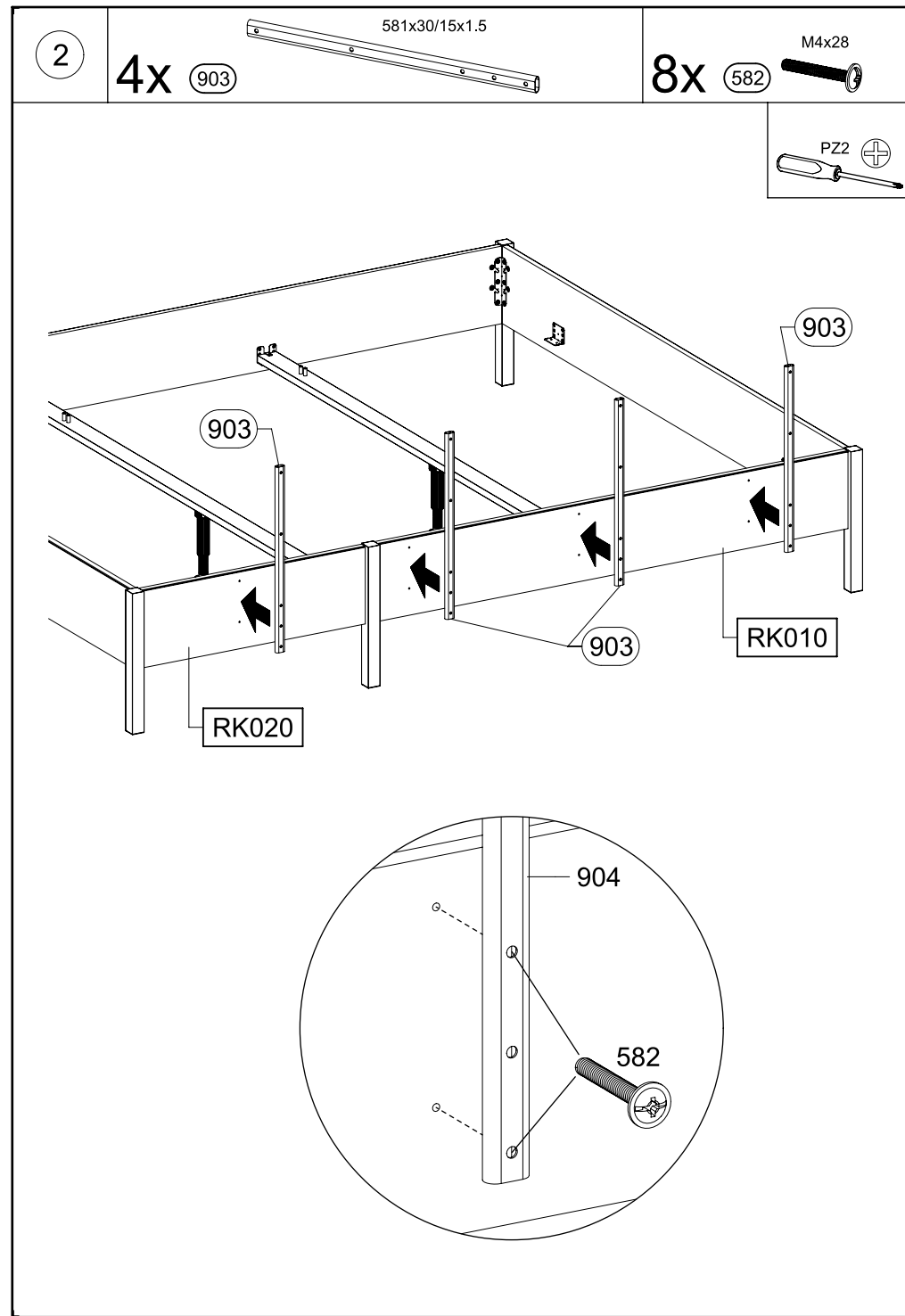
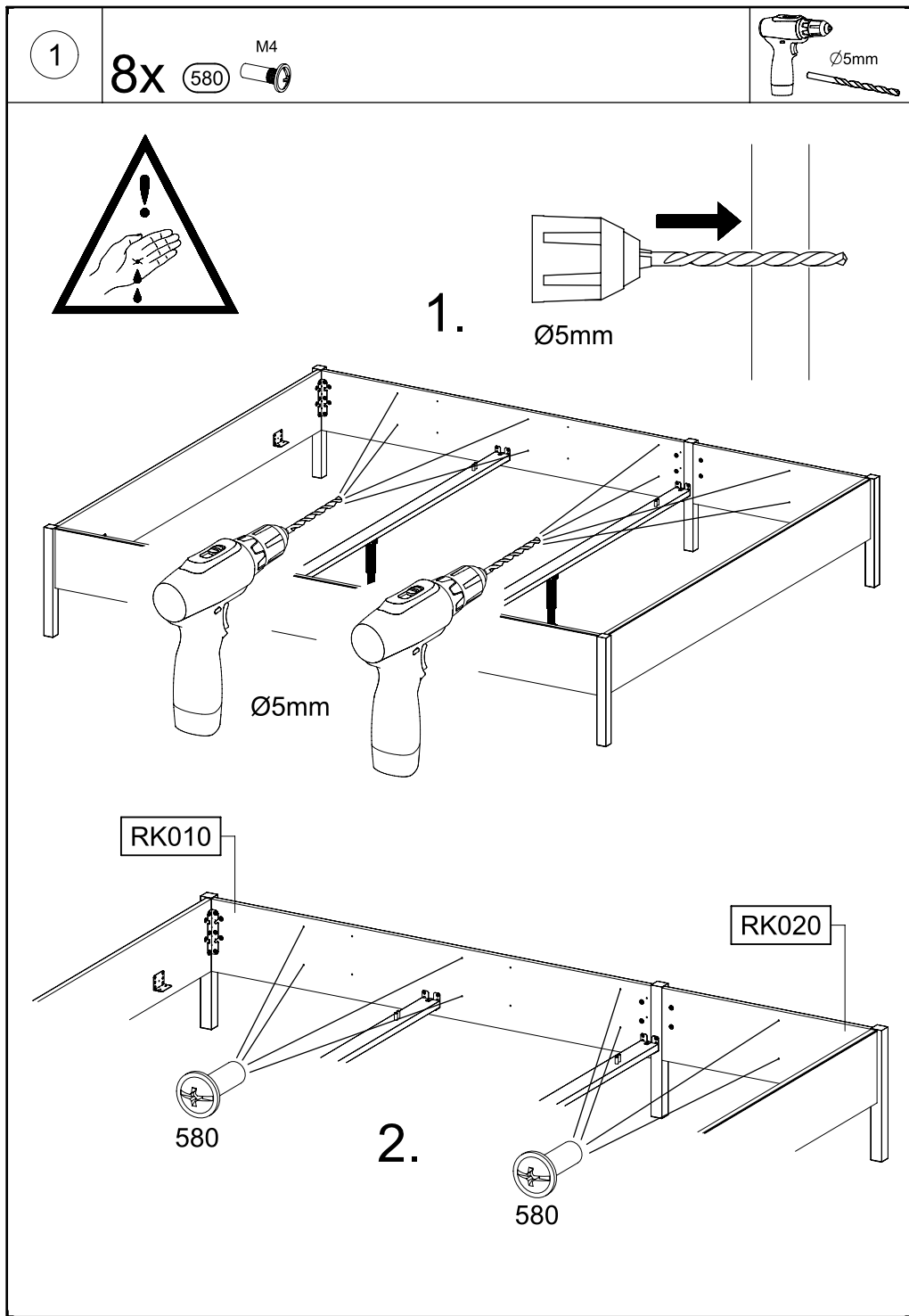
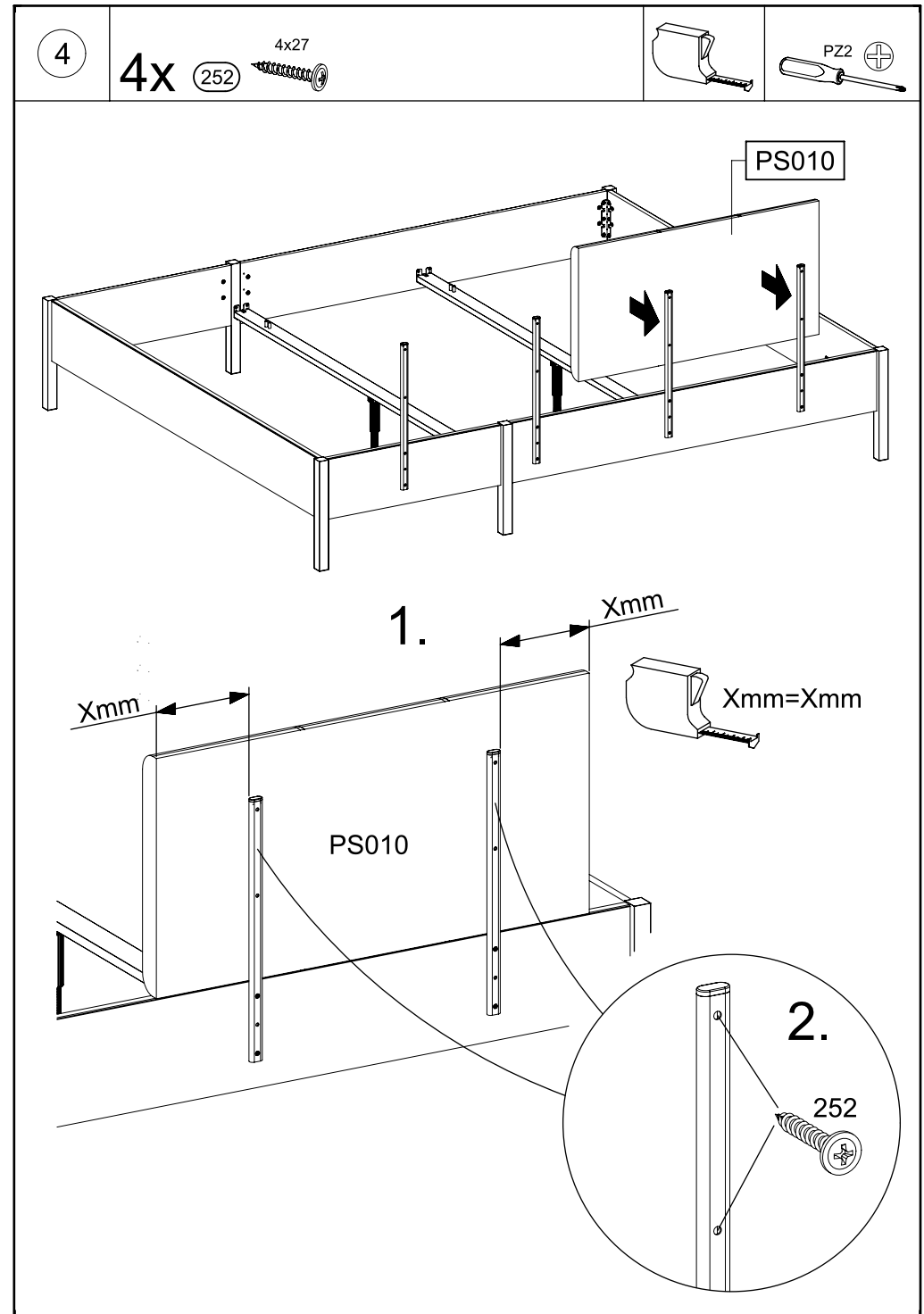
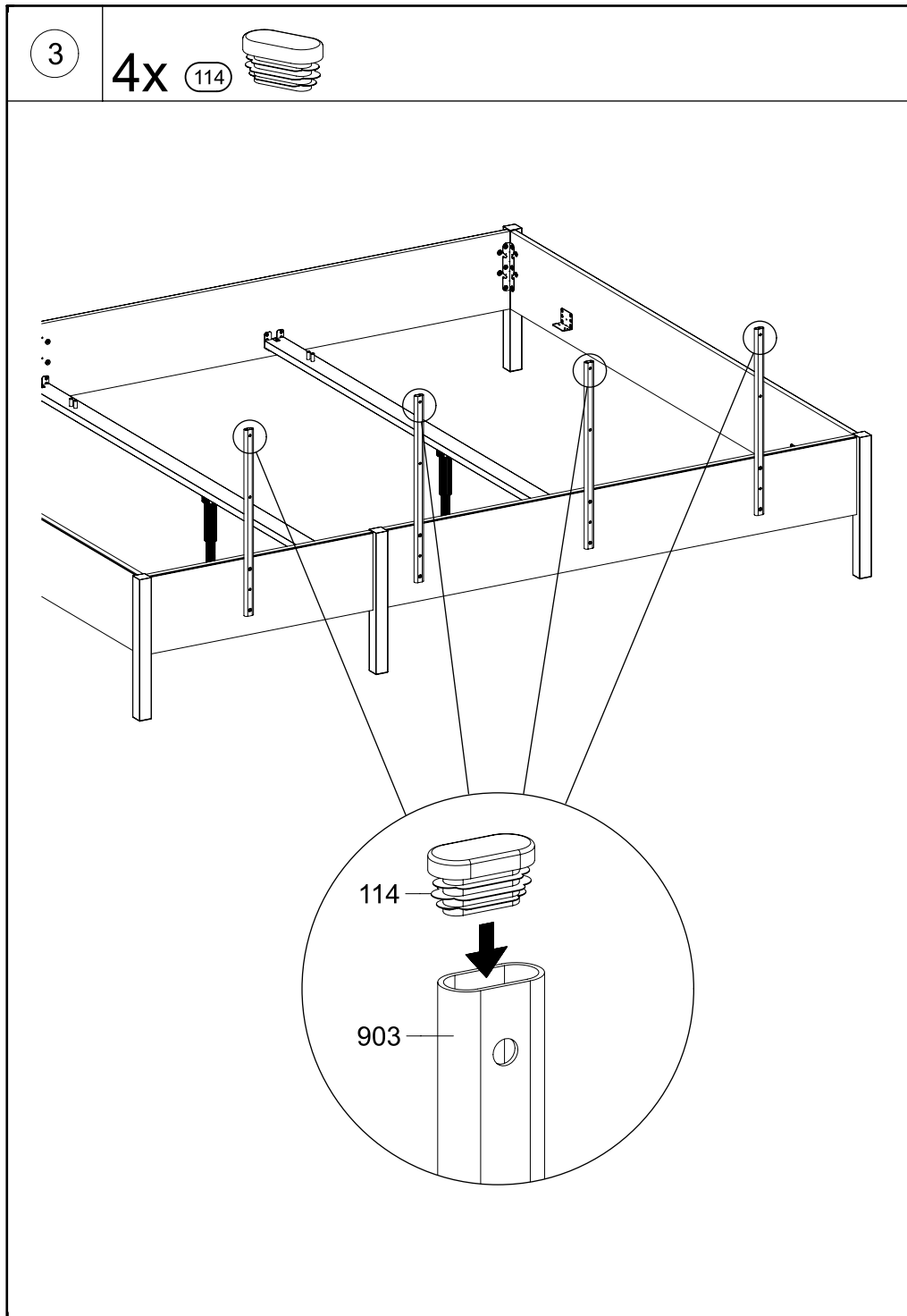


MZ336_01





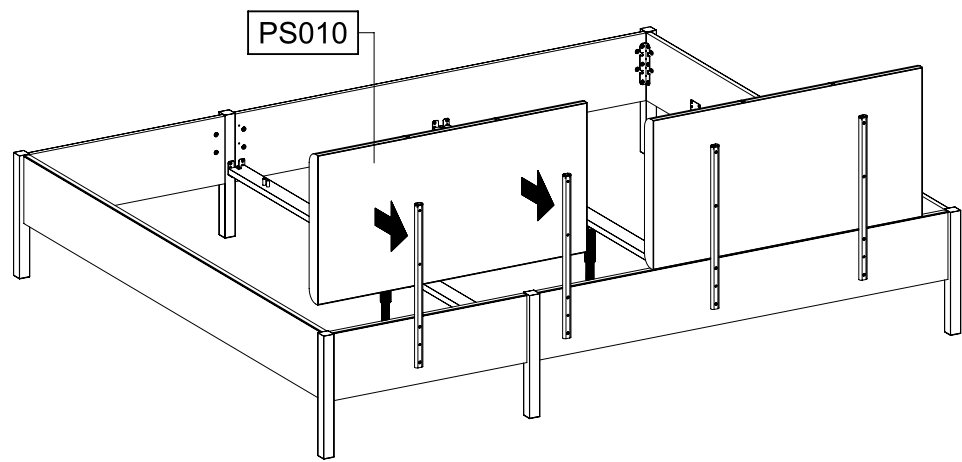
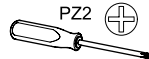
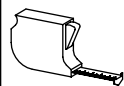
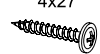


5

4x

252

4x27

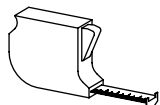


PS010

1.

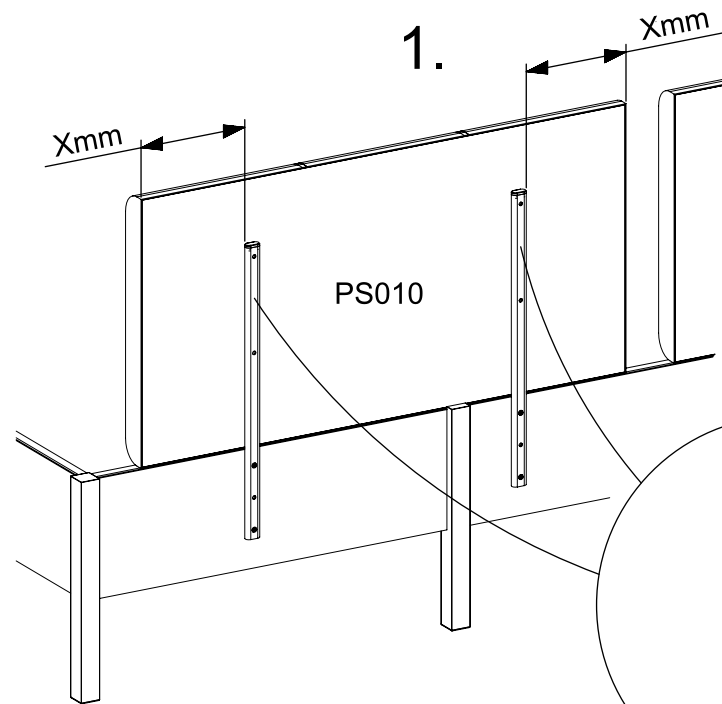
Xmm

Xmm



Xmm=Xmm

PS010



2.

252

