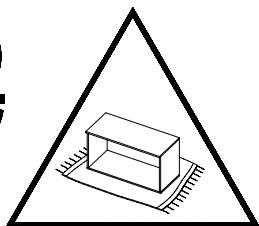
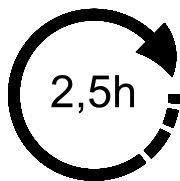
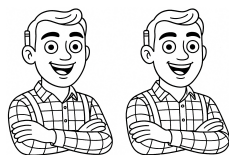
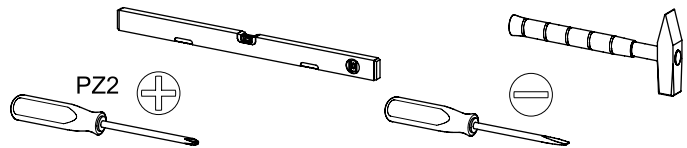
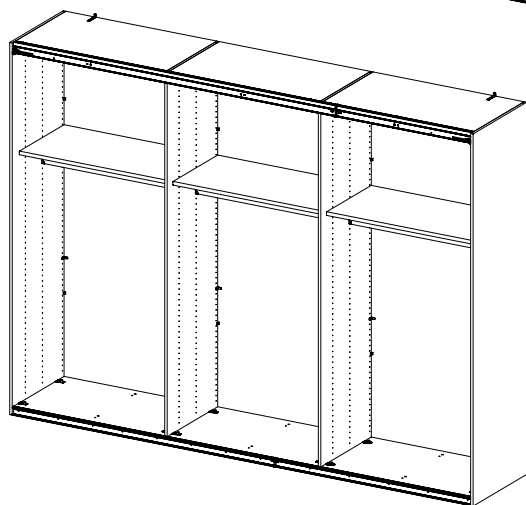
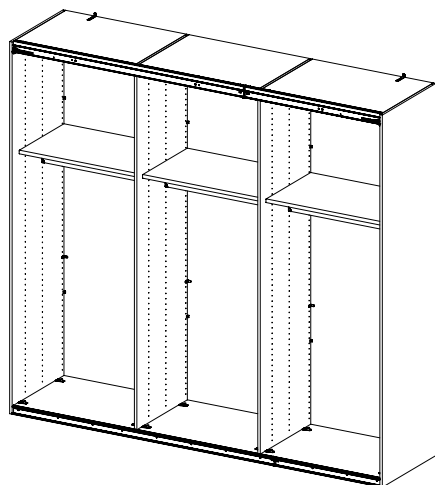


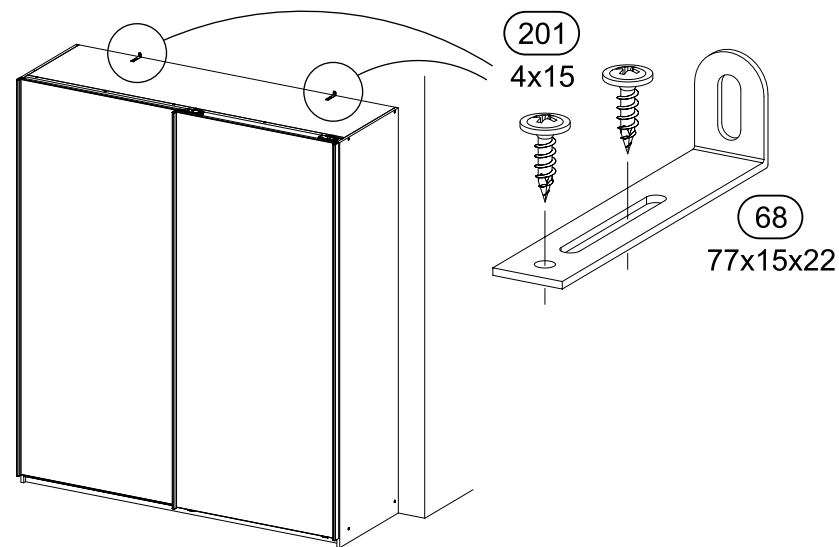
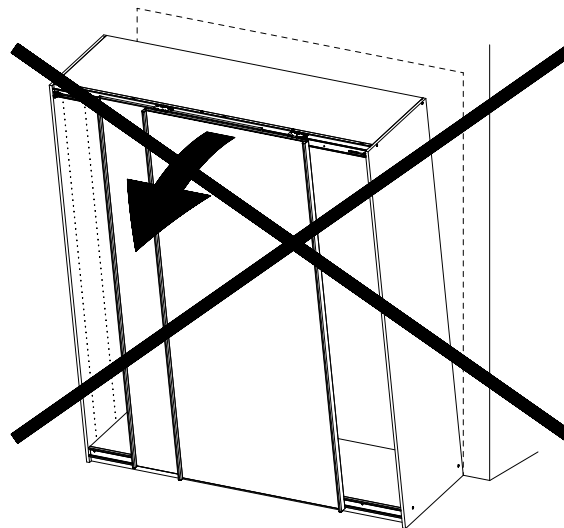
MD290_04



← 240 cm →



← 300 cm →

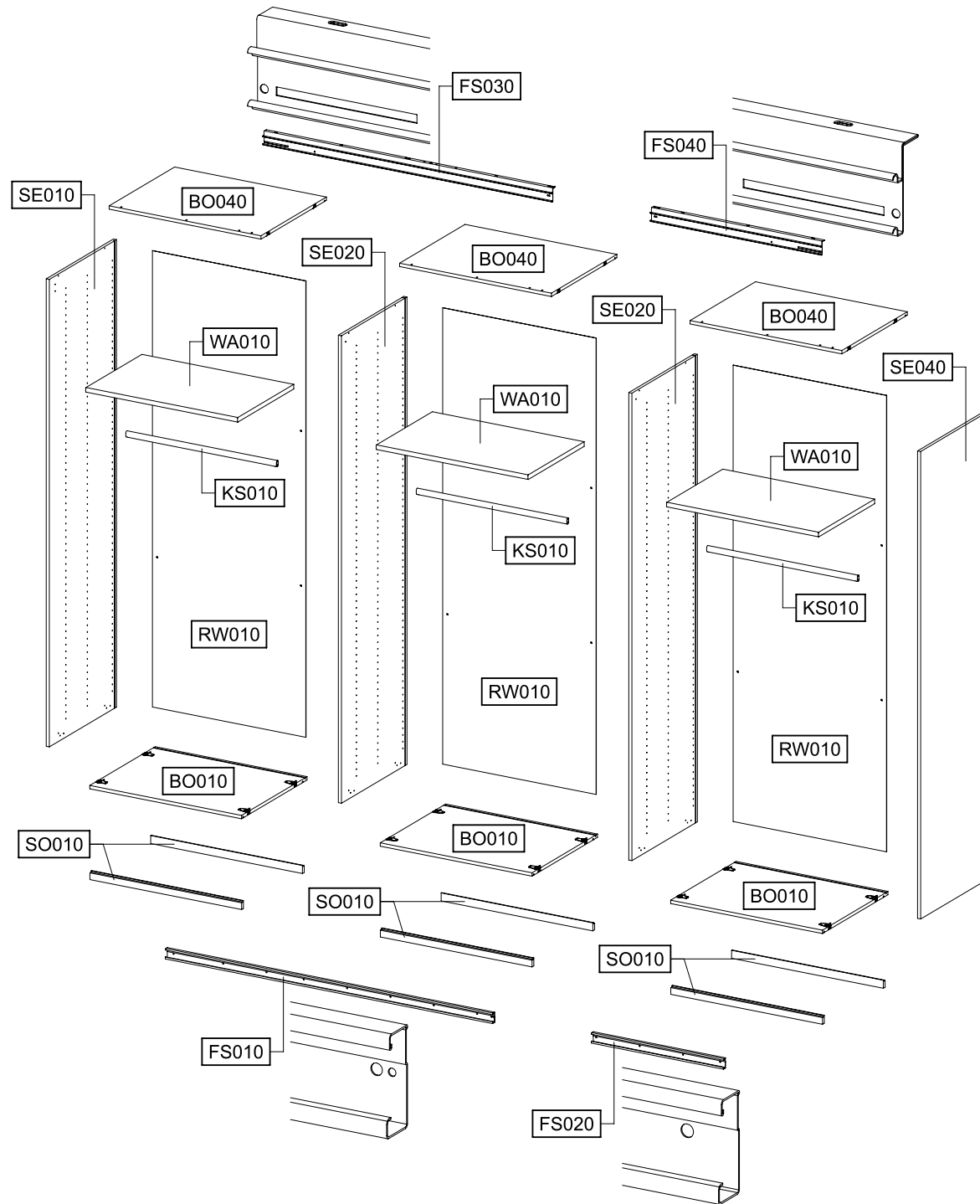


VIDEO

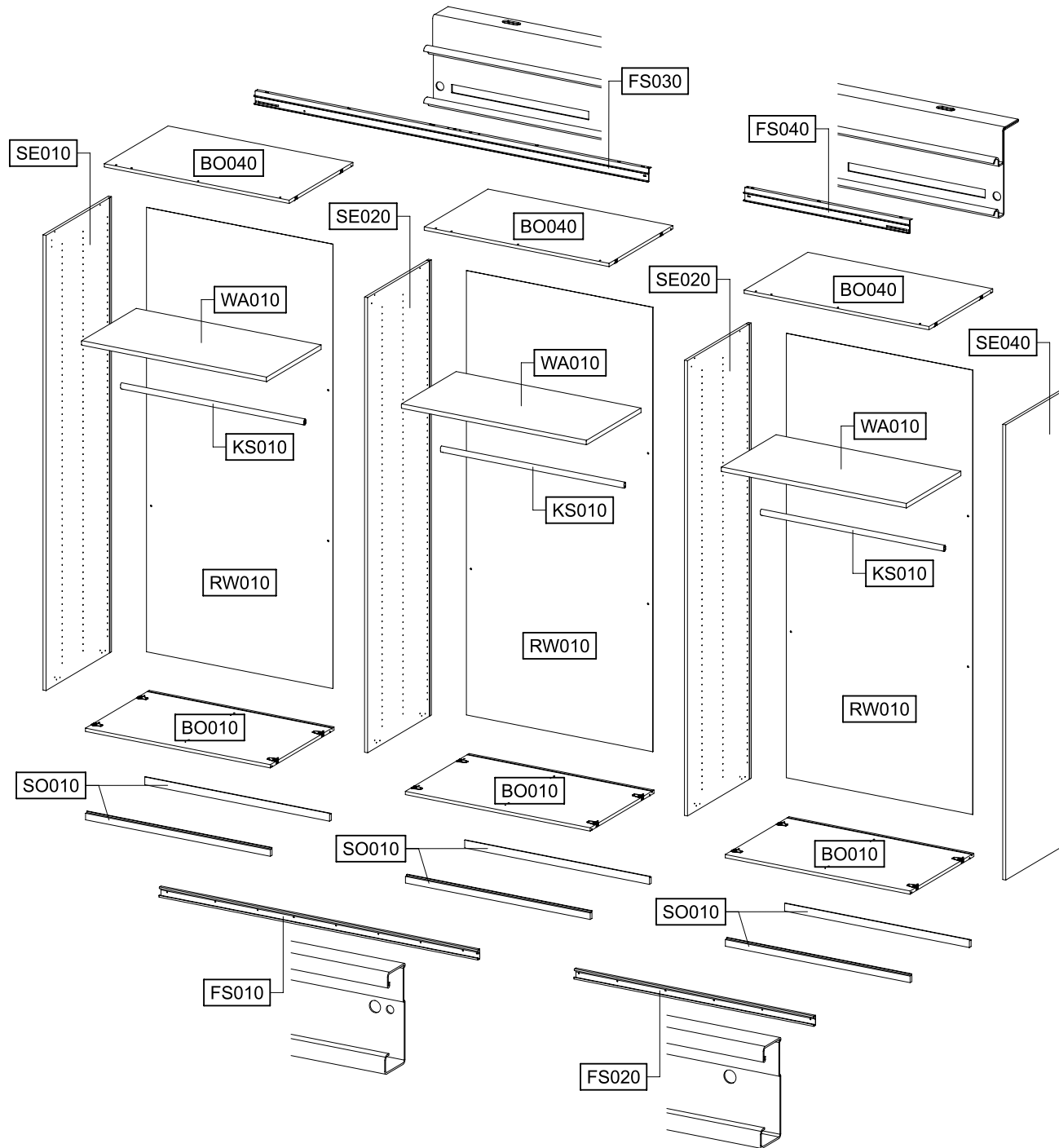


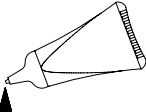
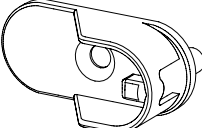
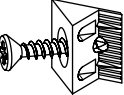

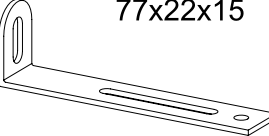

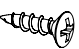






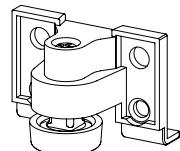
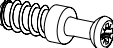
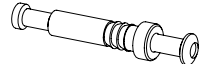
SCAN ME


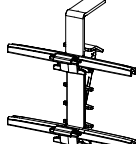

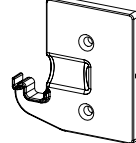
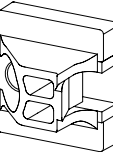
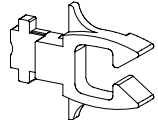
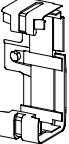

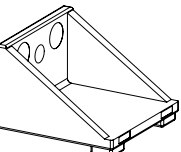
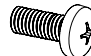
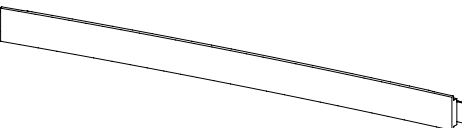

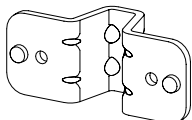
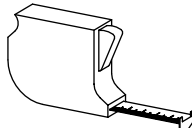
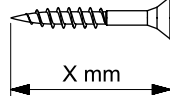
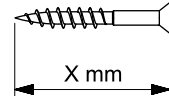
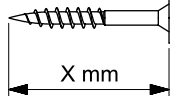
← 240 cm →

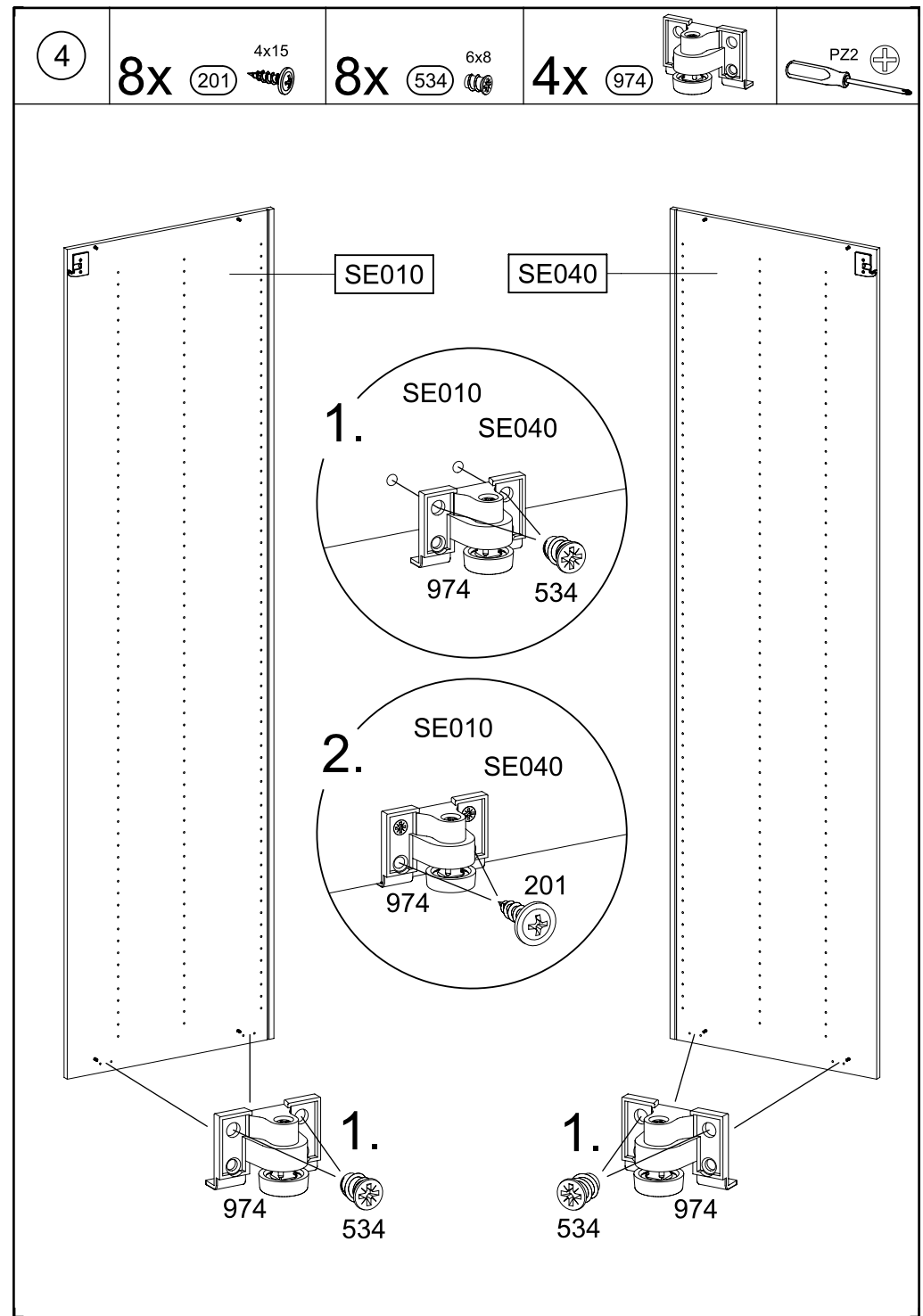
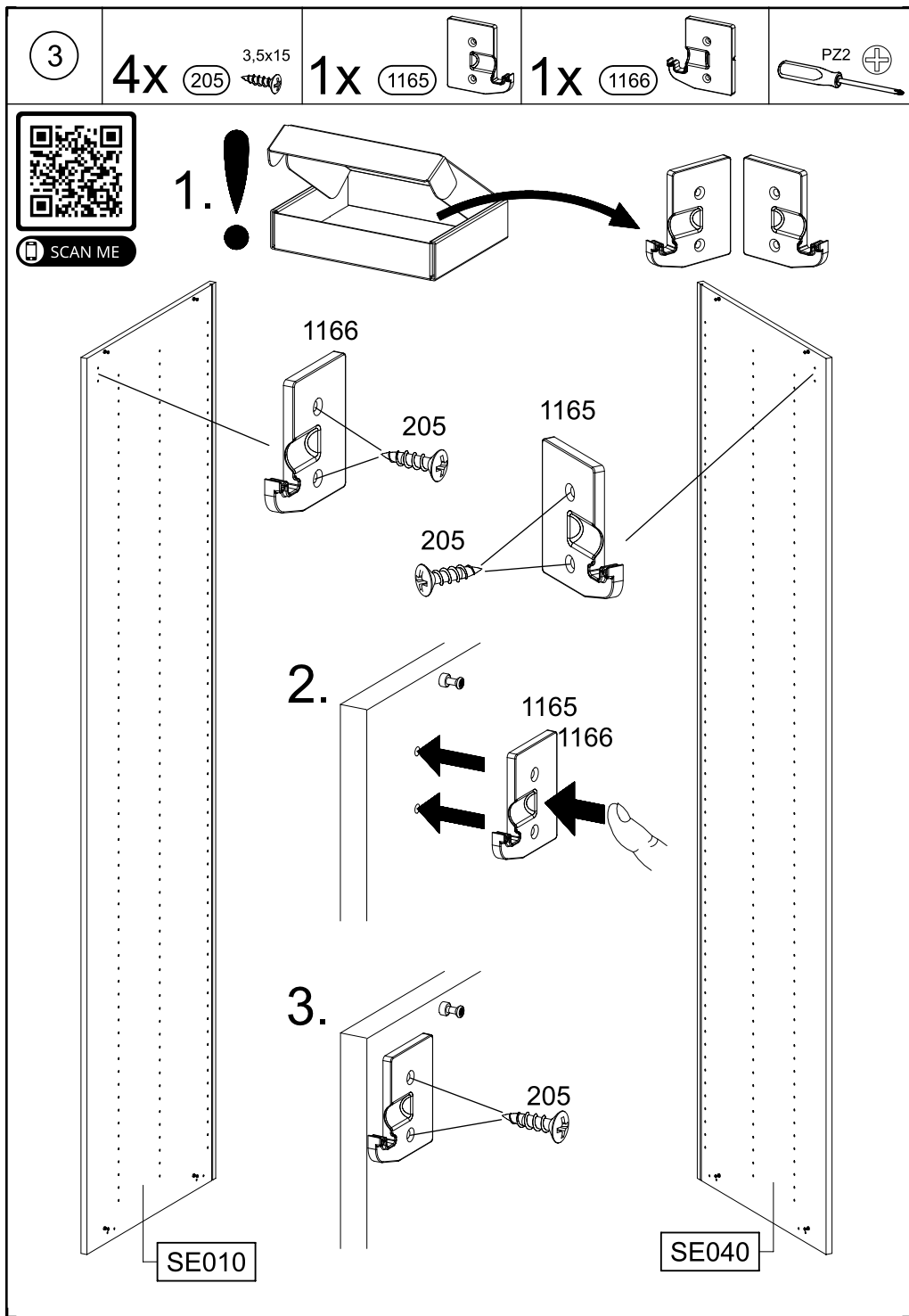


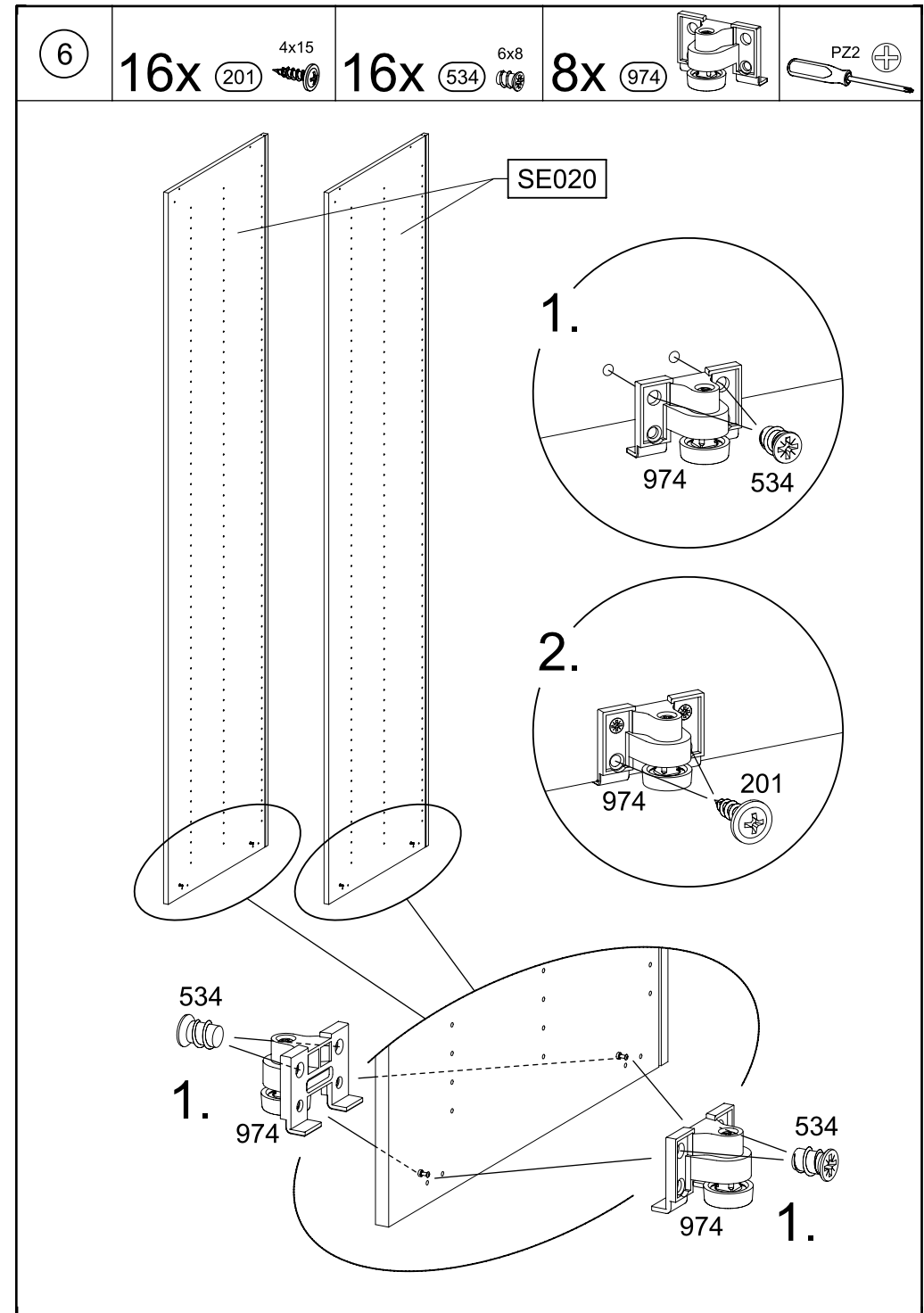
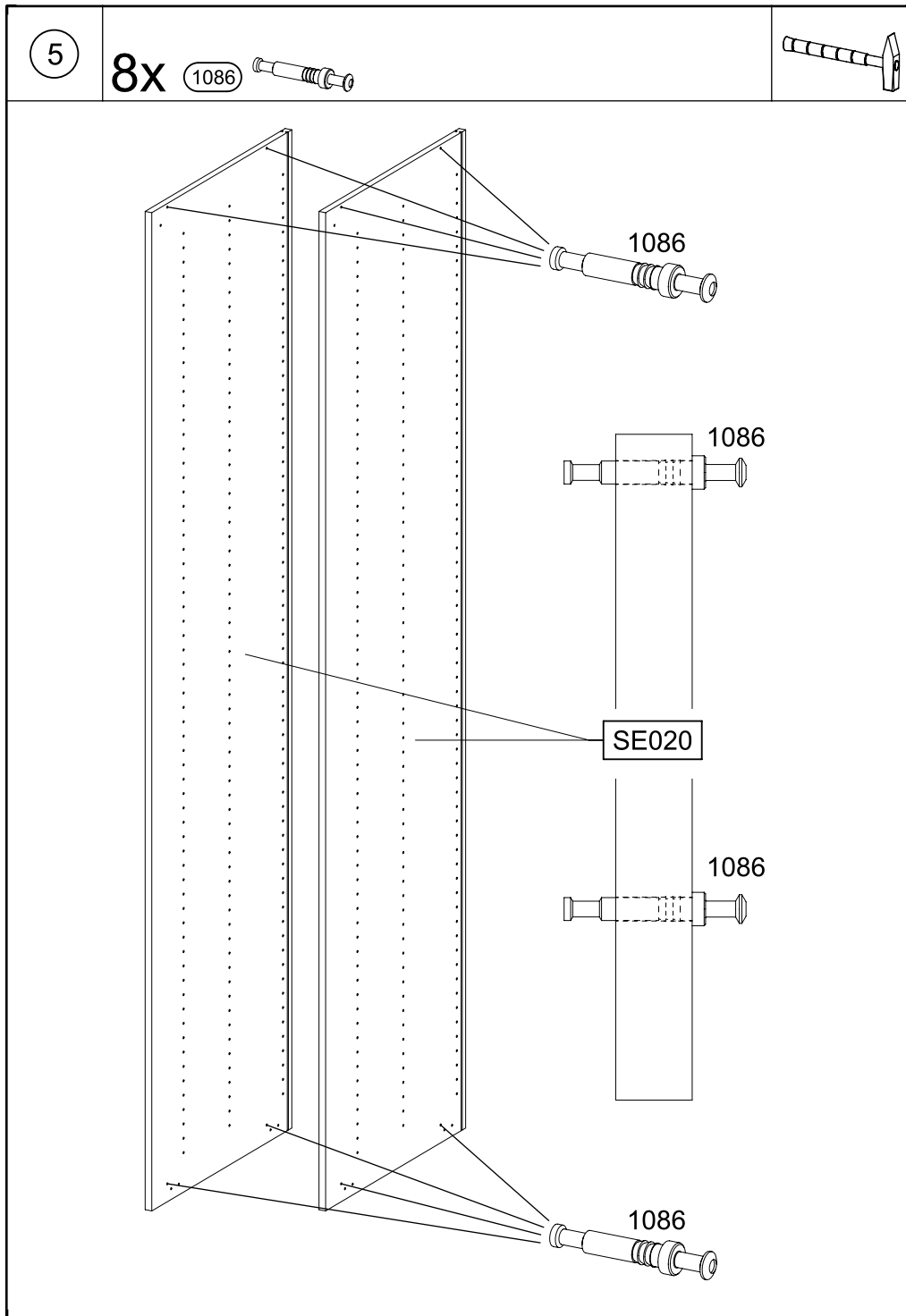
← 300 cm →

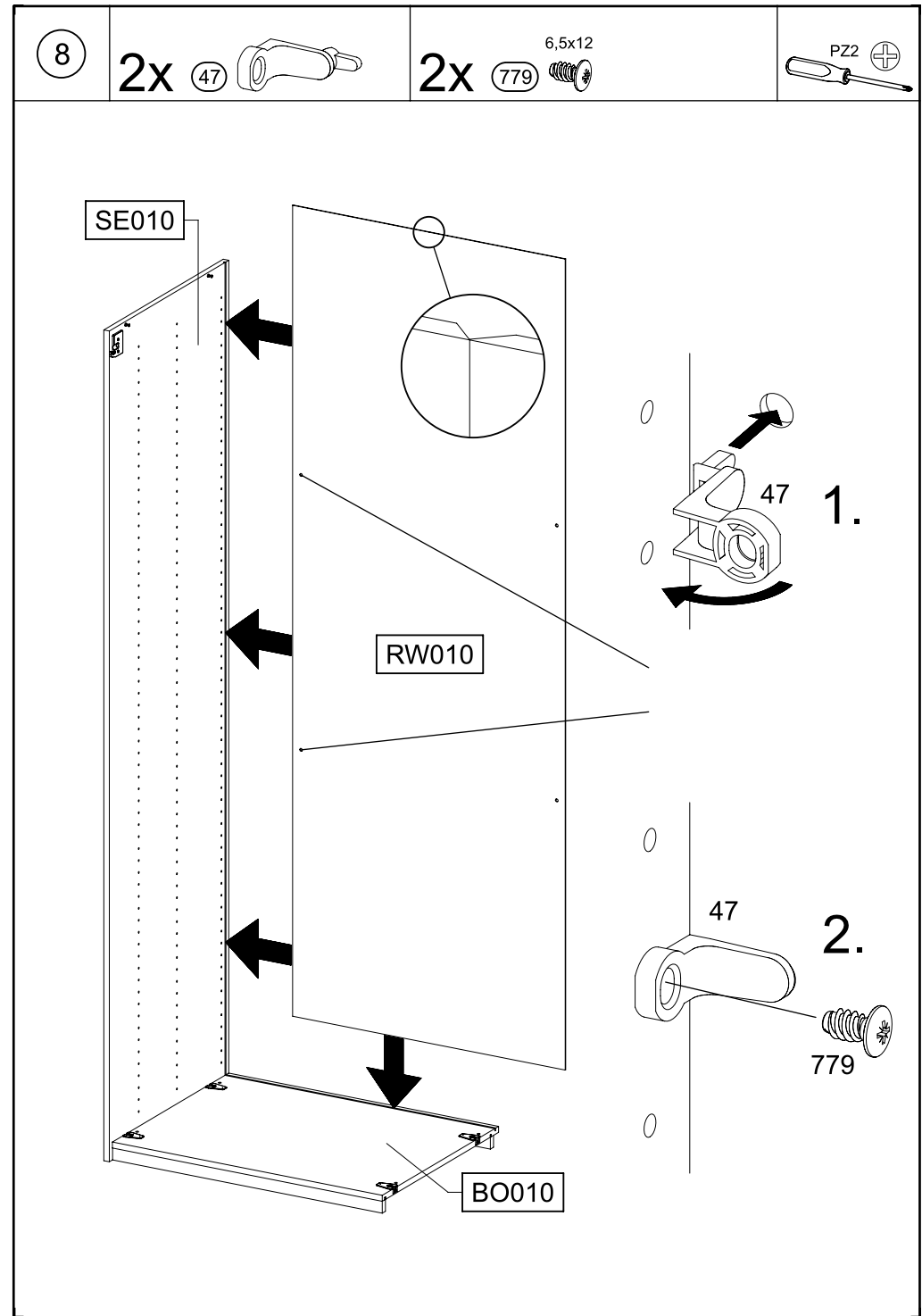
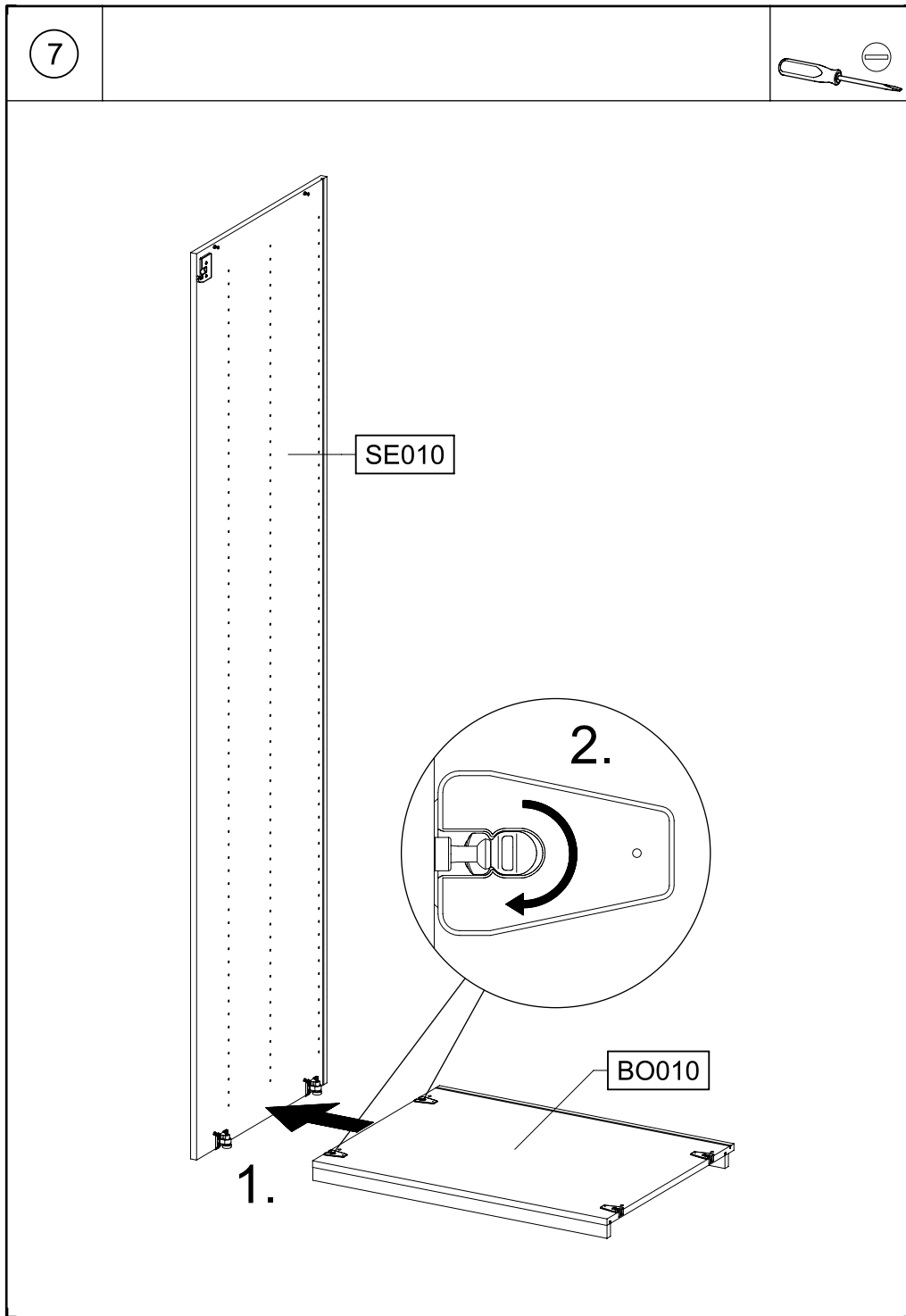


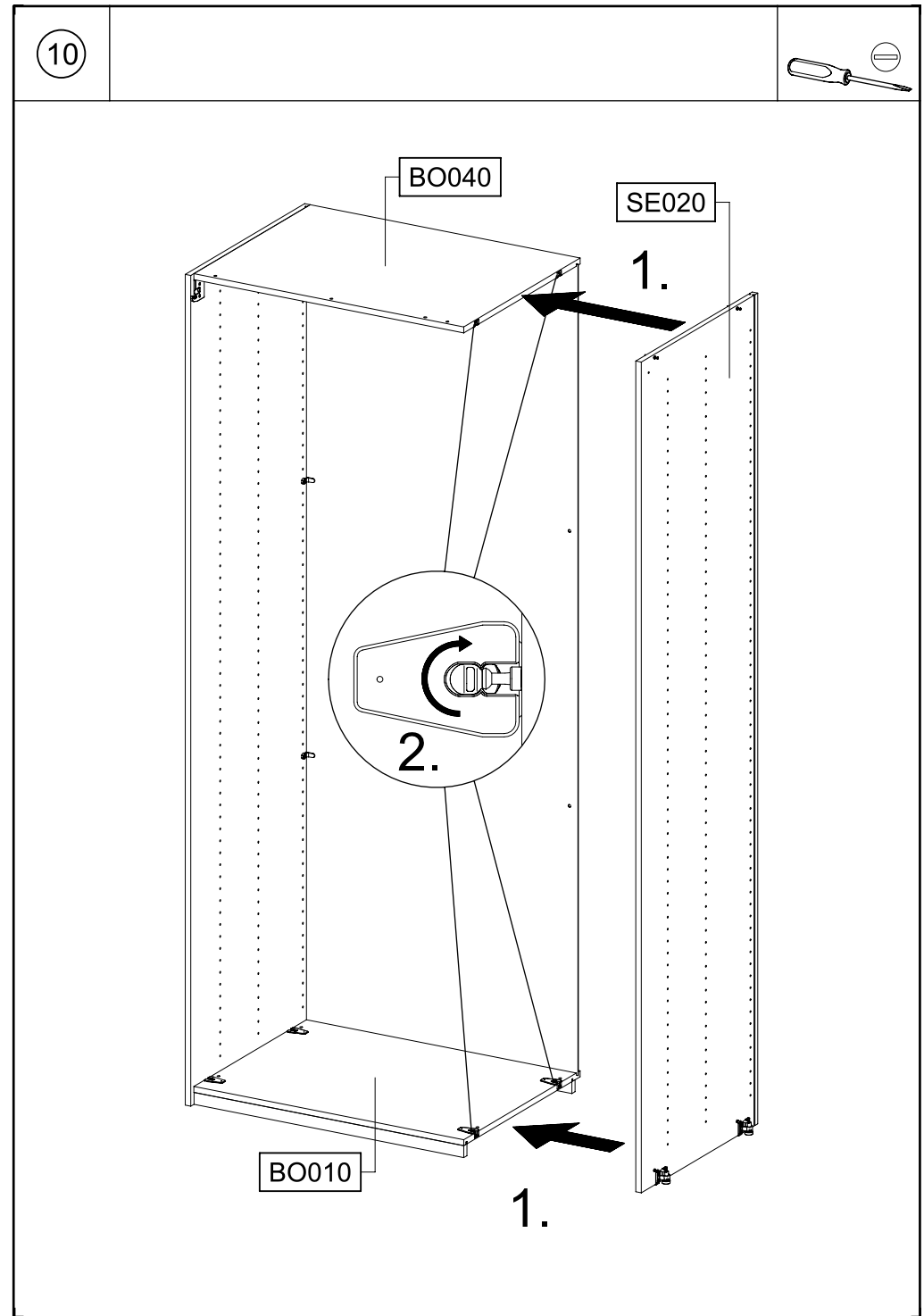
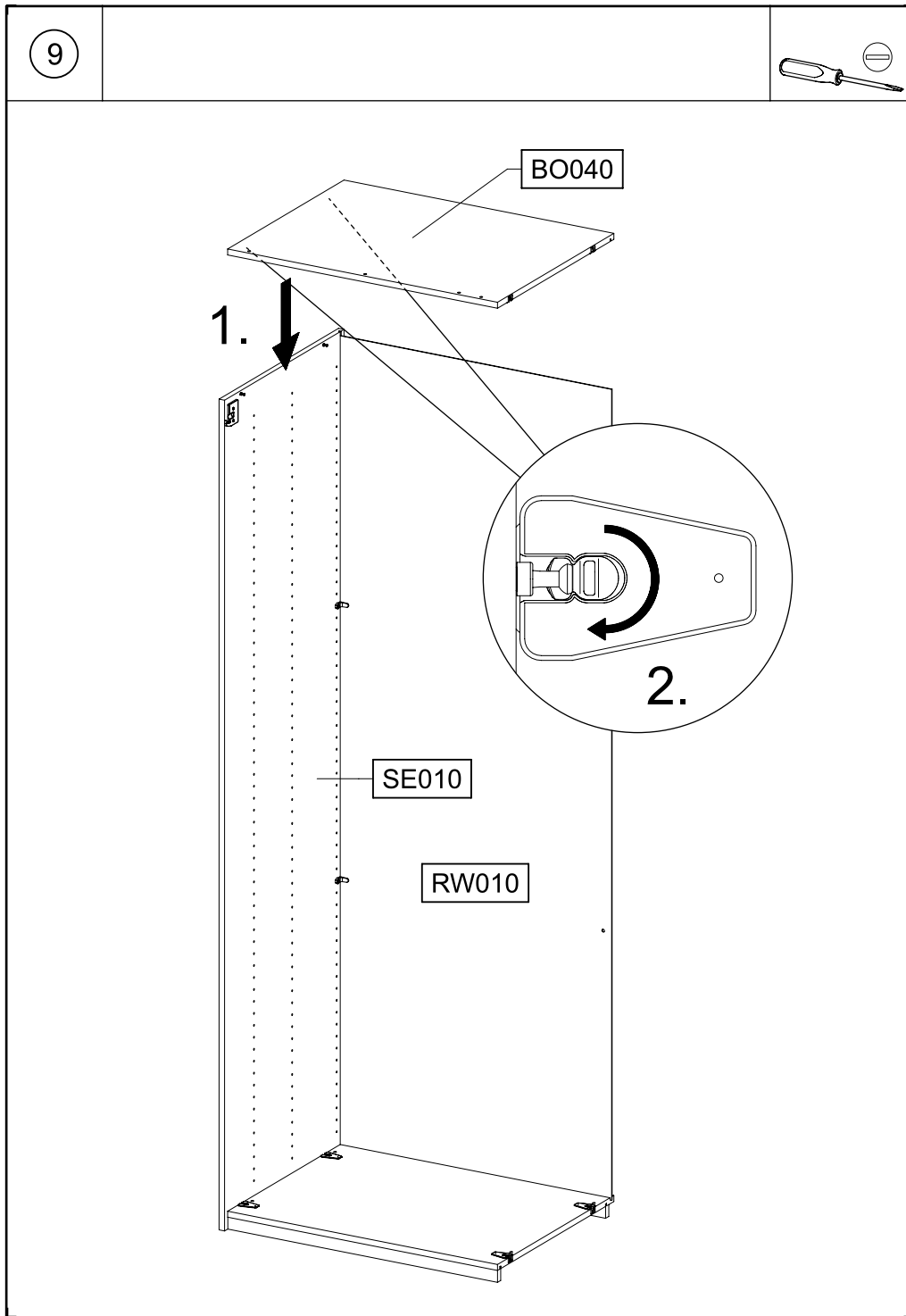
3x  11	6x  29
12x  45	12x  47
2x  68 77x22x15	28x  201 4x15
23-25x  205 3,5x15	10x  211 M4x12
0-6x  375 Ø5	12-18x  405 Ø8
24x  534 6x8	10x  580 M4
12x  779 6,5x12	12x  974
8x  1085	8x  1086

12x  1089	1x  1163
1x  1165	1x  1166
2x  1167	2x  1168
1x  1169	2x  1288 M5
3x  1277	2x  1279 M5x12
2x  1280	
2x  1449 M5x8	1x  1450
	 X mm
	 X mm
	 X mm









11

2x

47



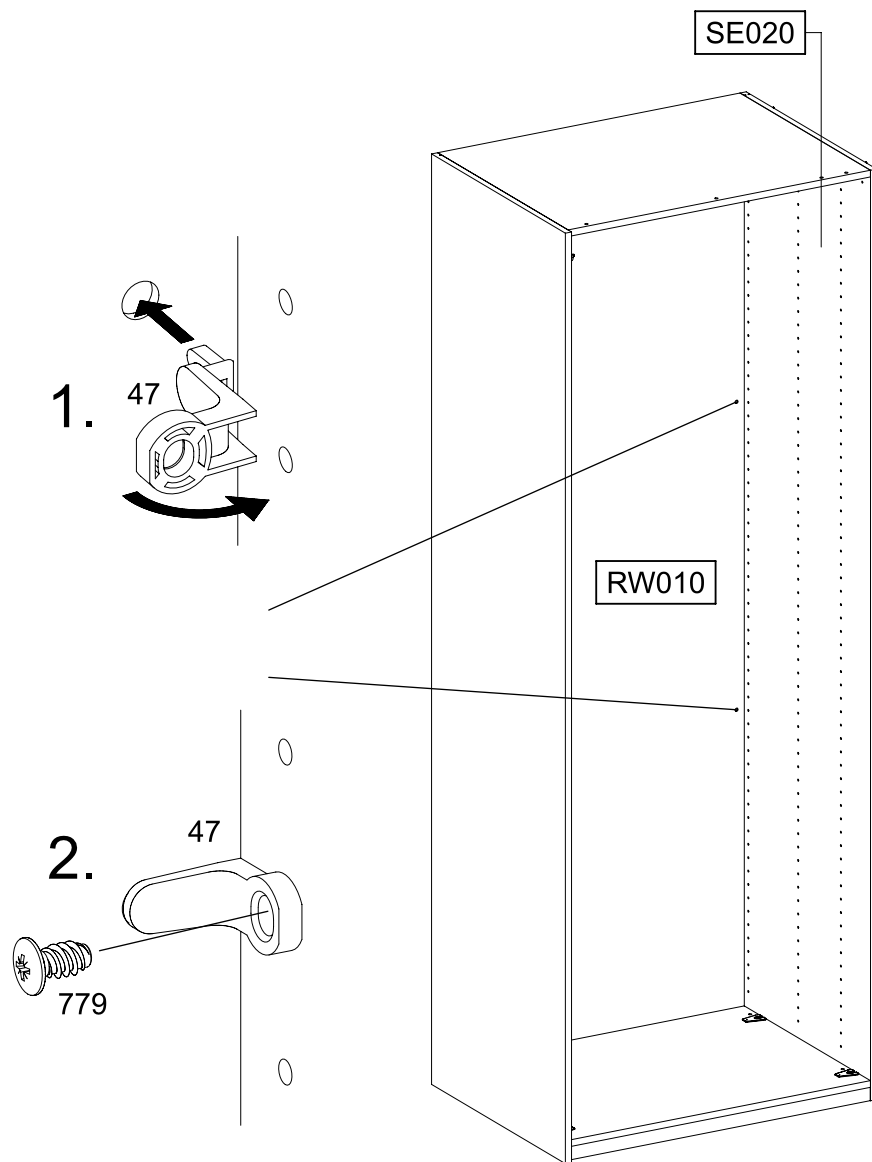
2x

779

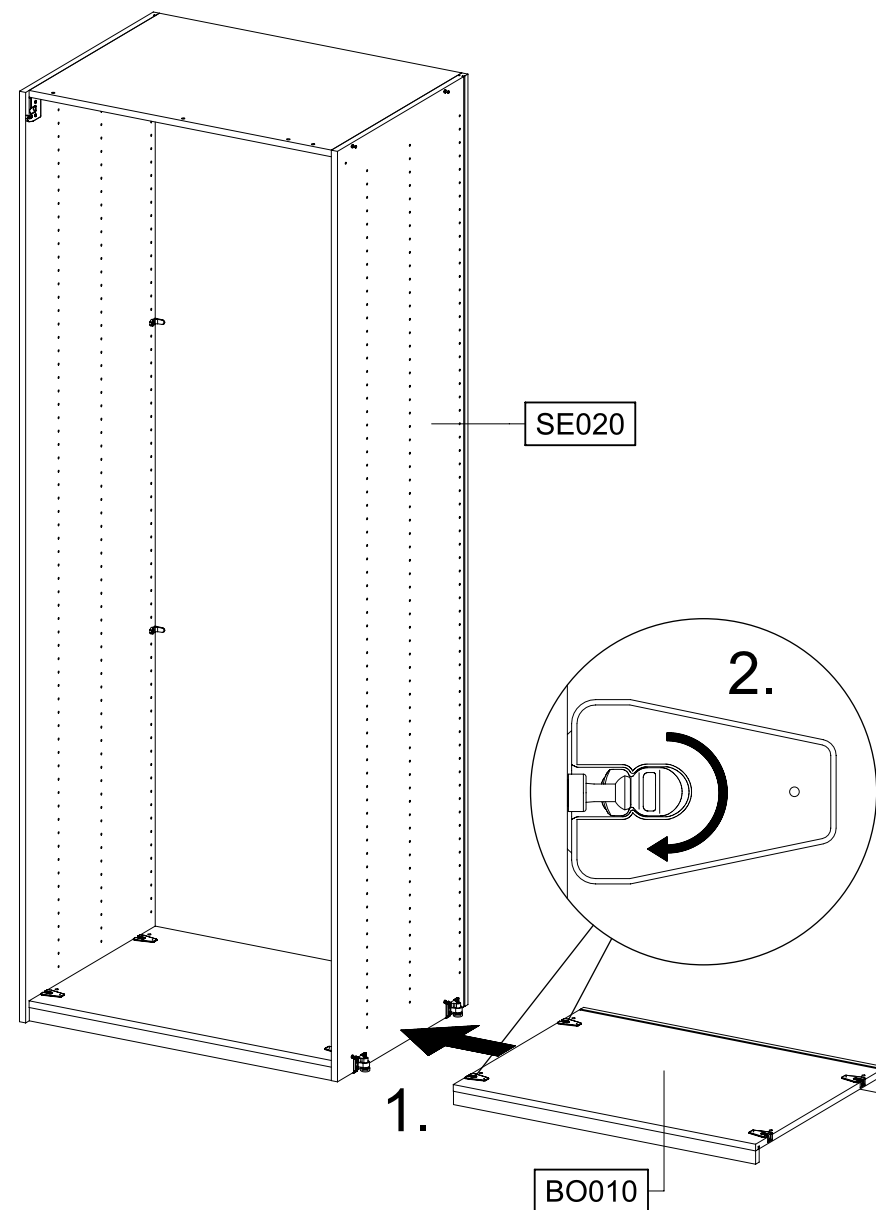
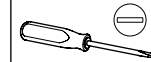
6,5x12



PZ2



12



13

2x

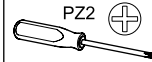
47



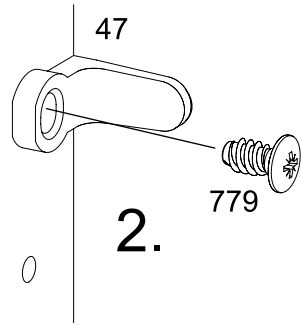
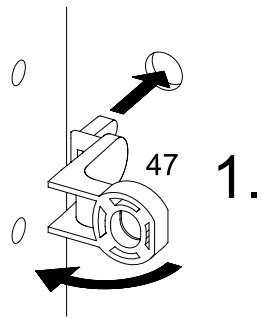
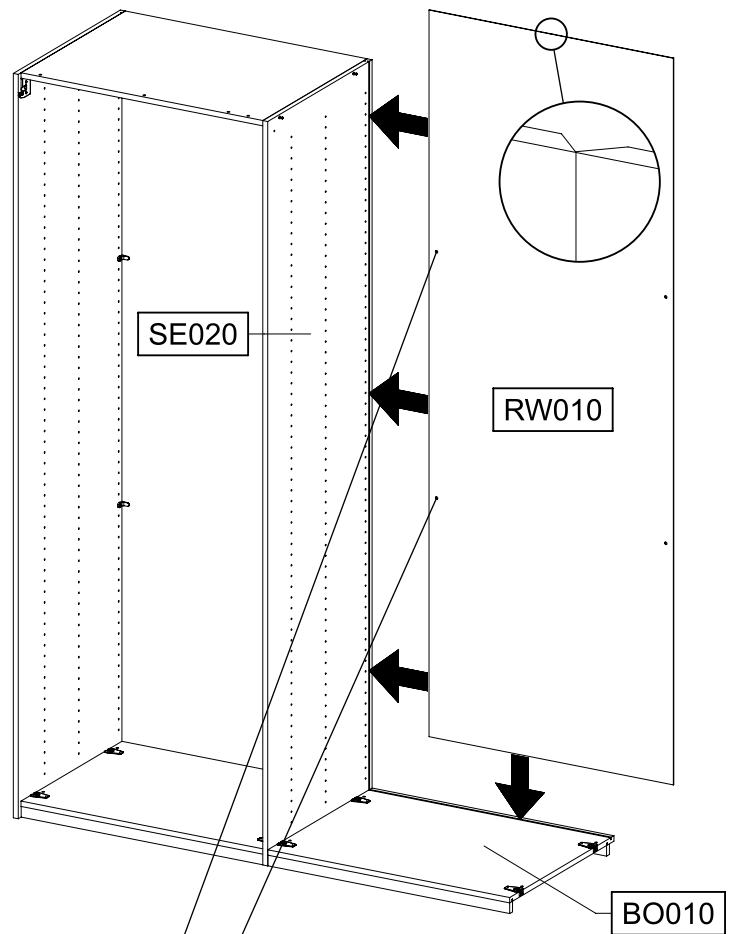
2x

779

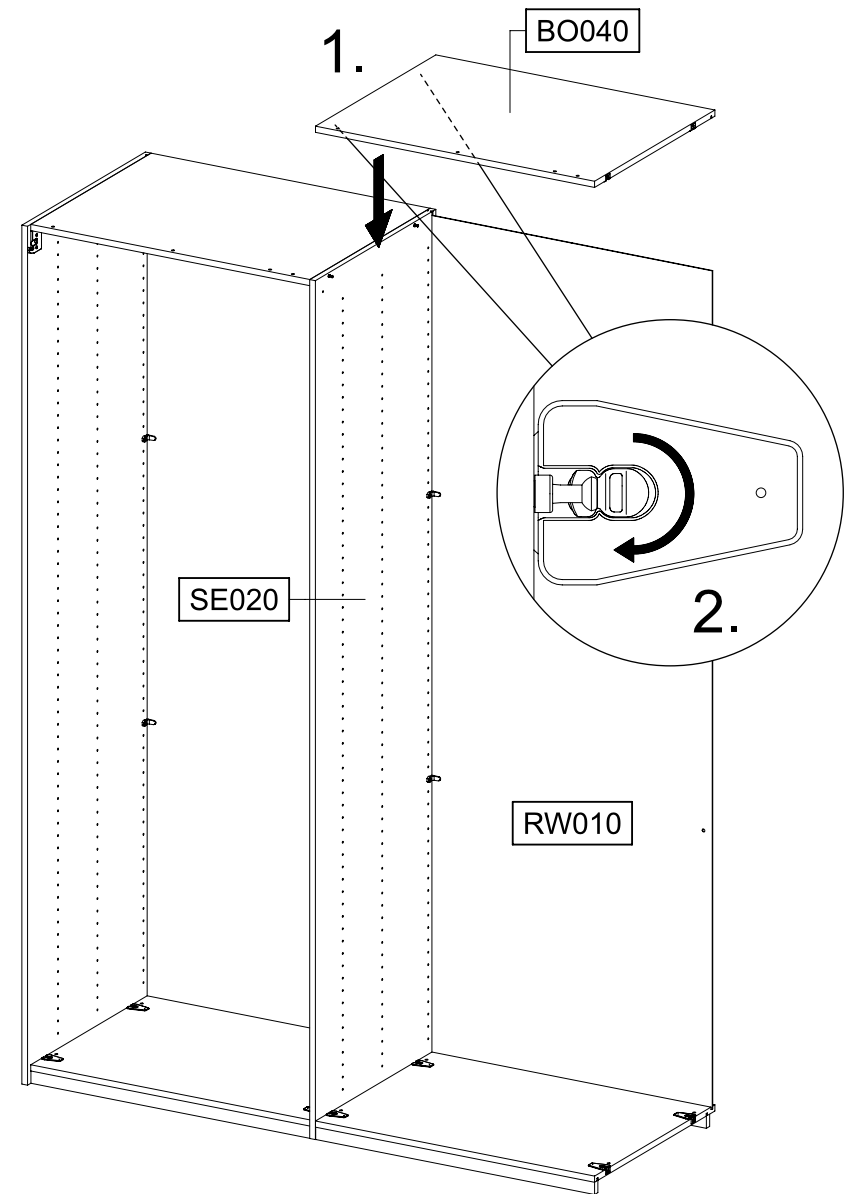
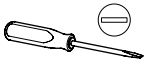
6,5x12



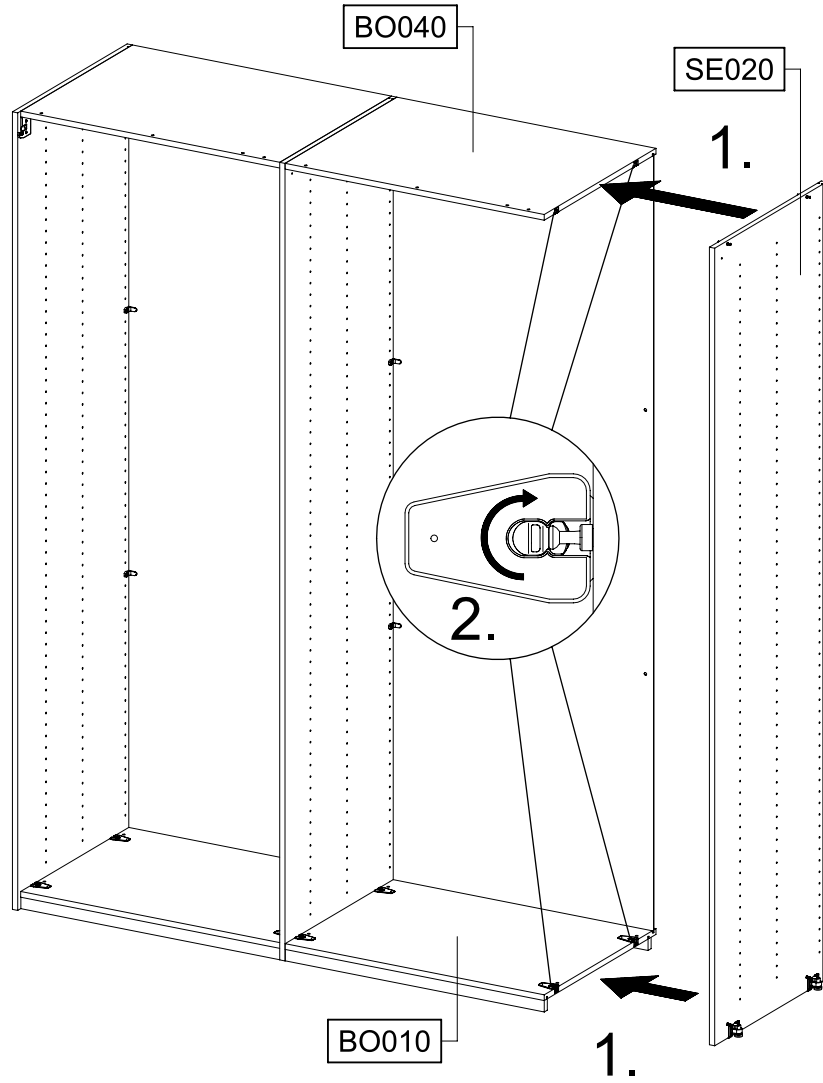
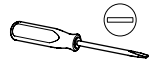
PZ2



14



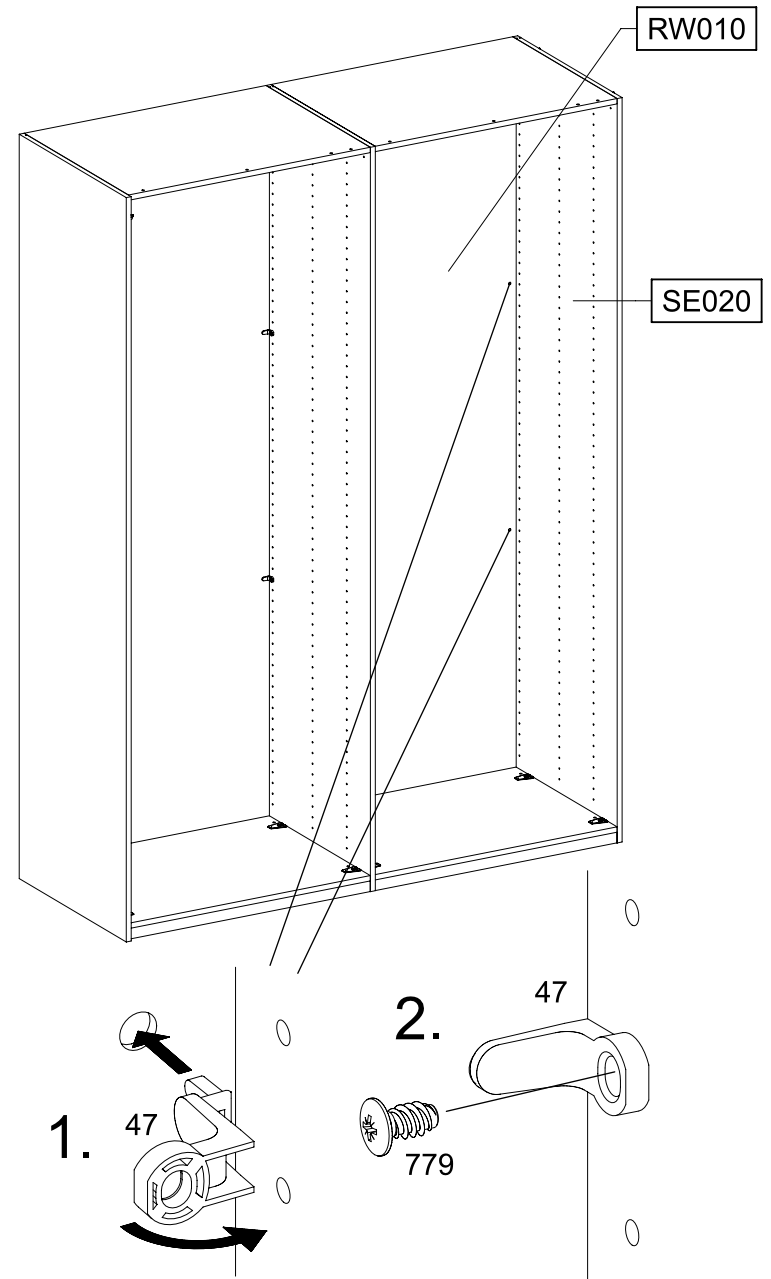
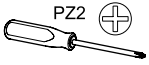
15



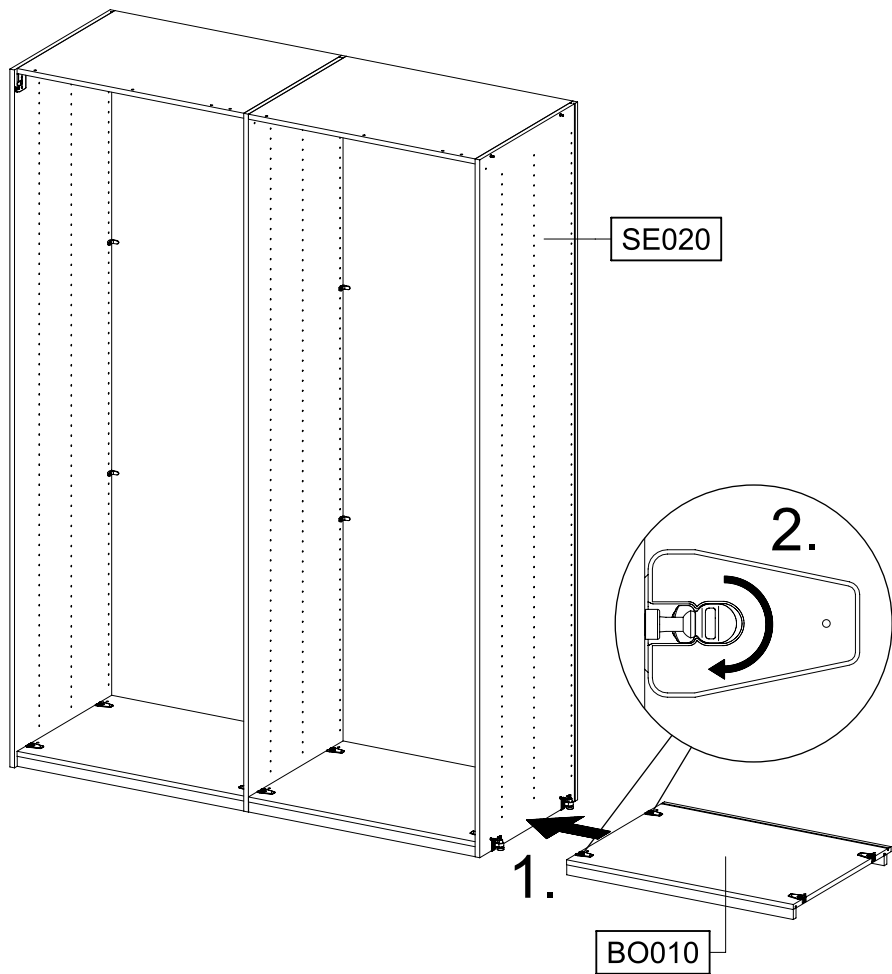
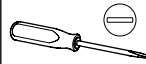
16

2x 47

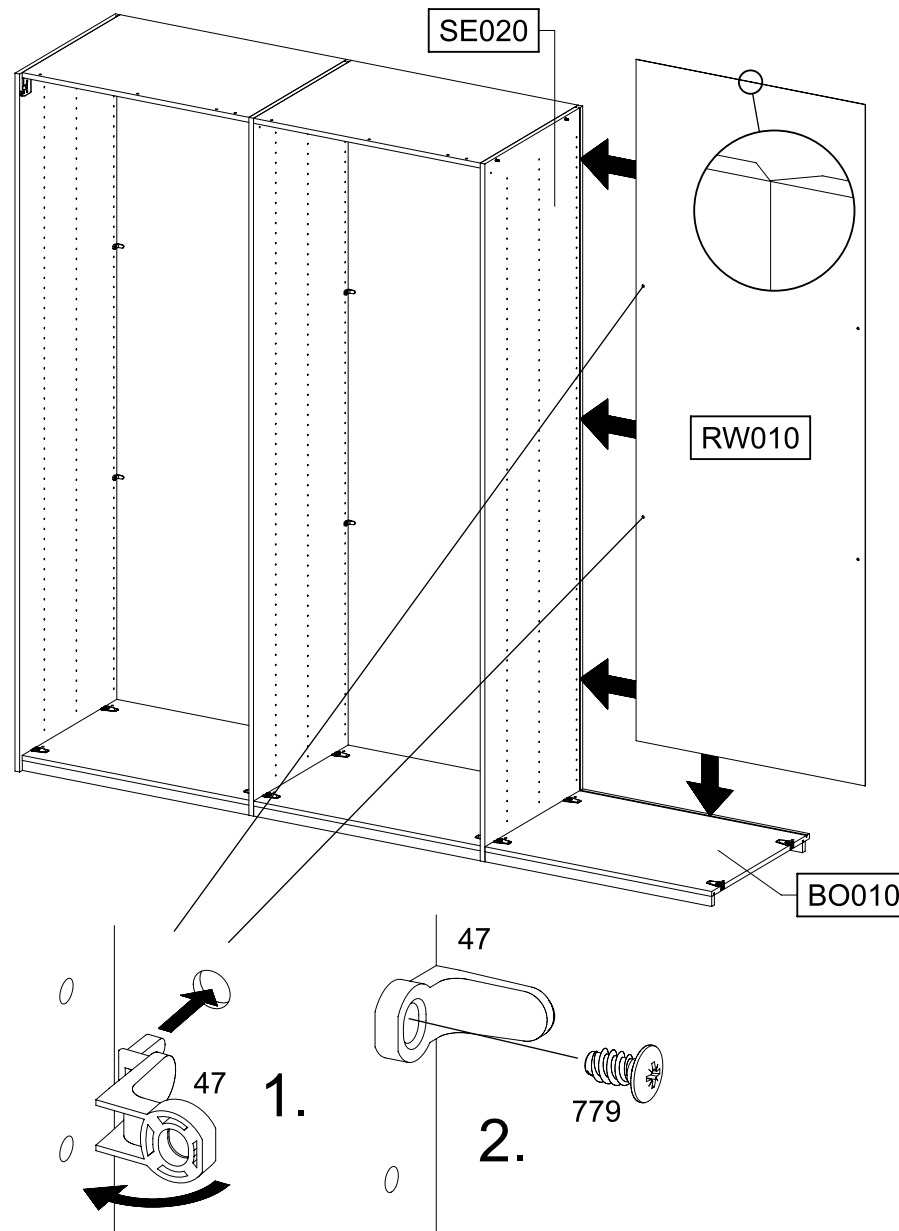
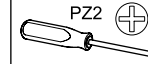
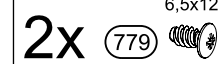
2x 779 6,5x12

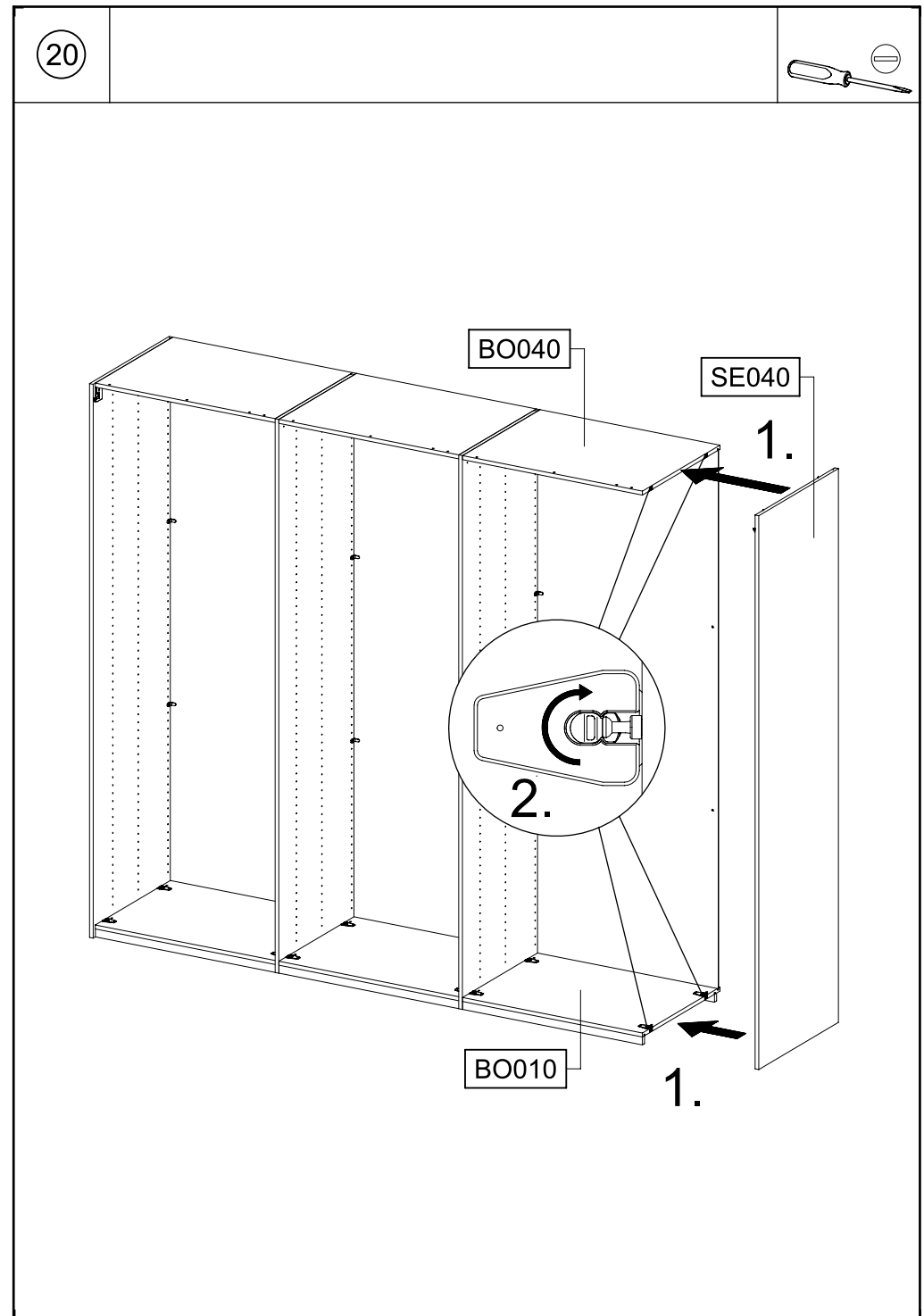
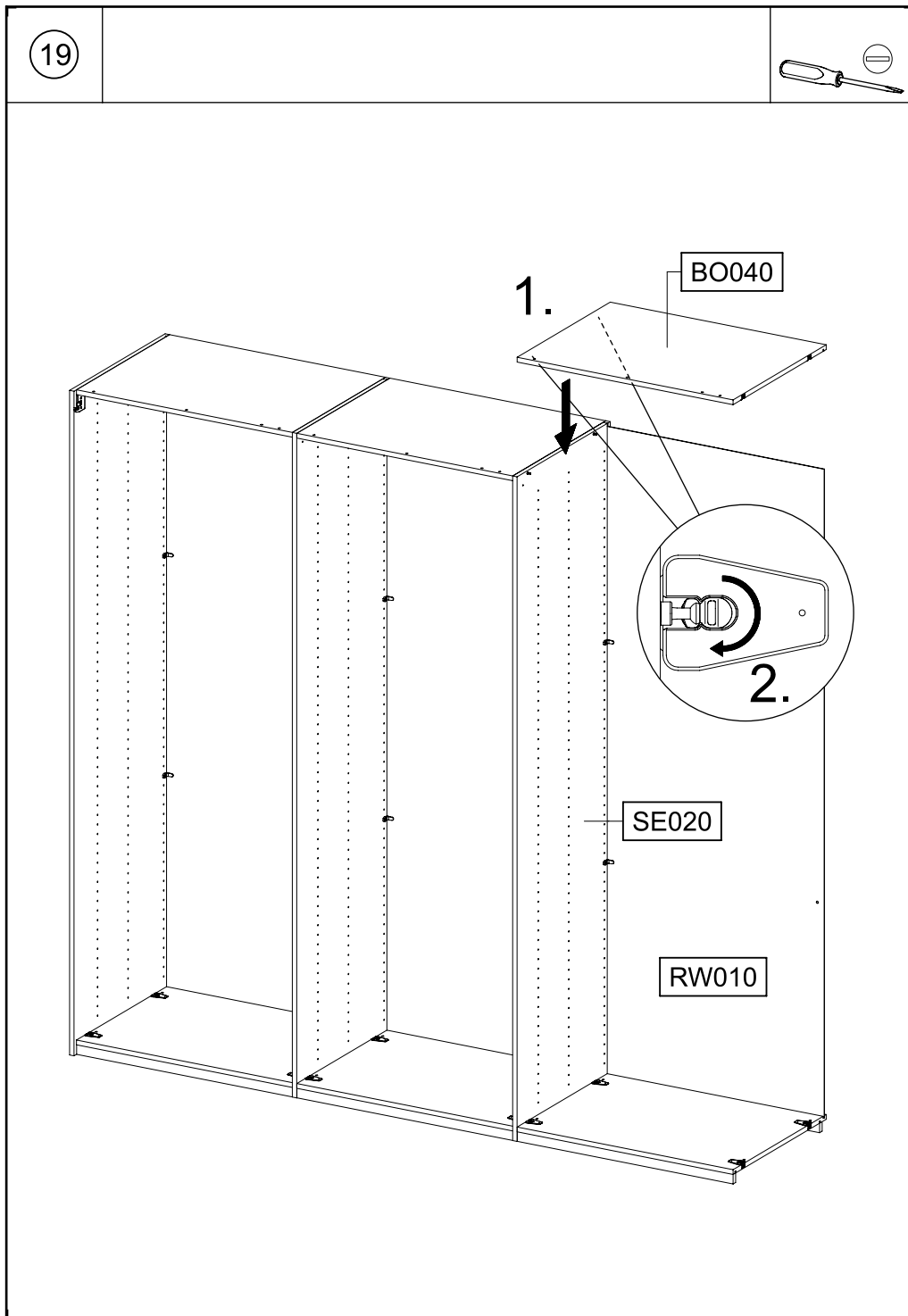


17



18





21

2x

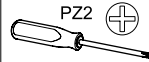
47



2x

779

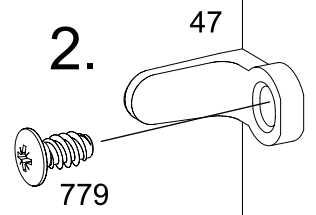
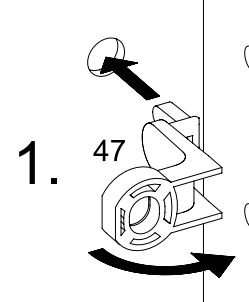
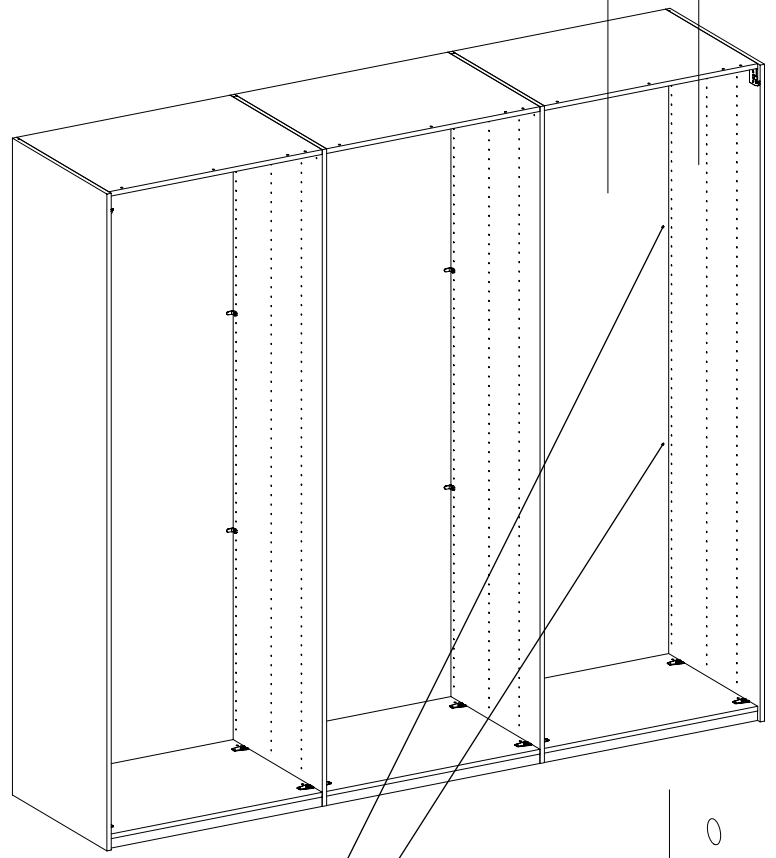
6,5x12



PZ2

RW010

SE040



22

12x

1089

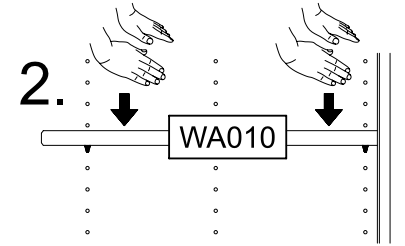
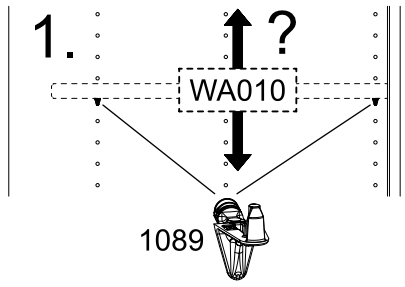
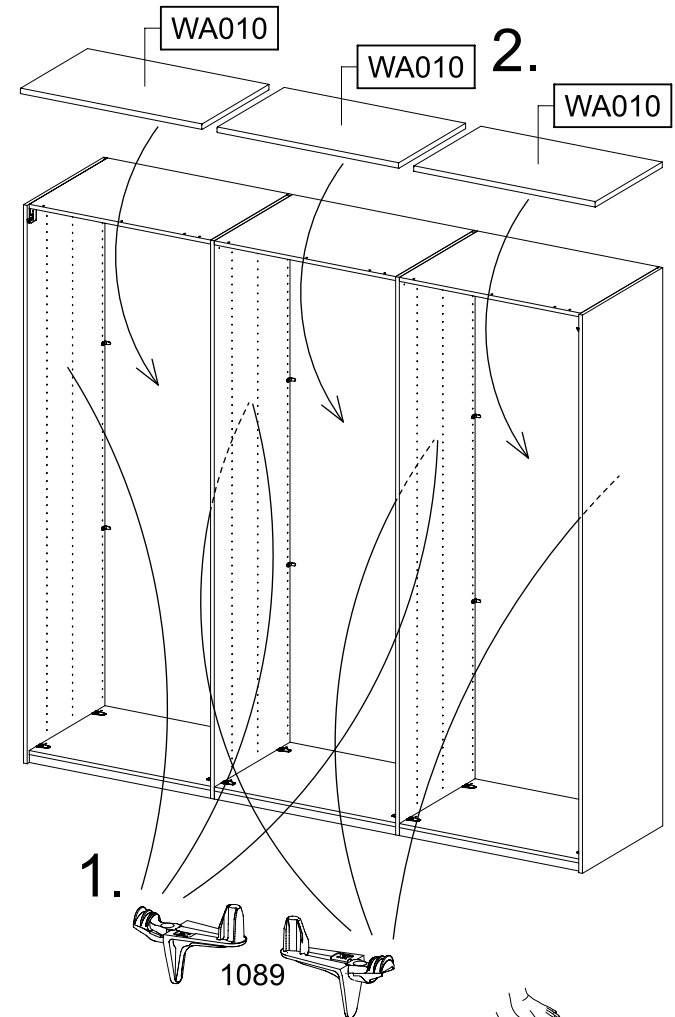


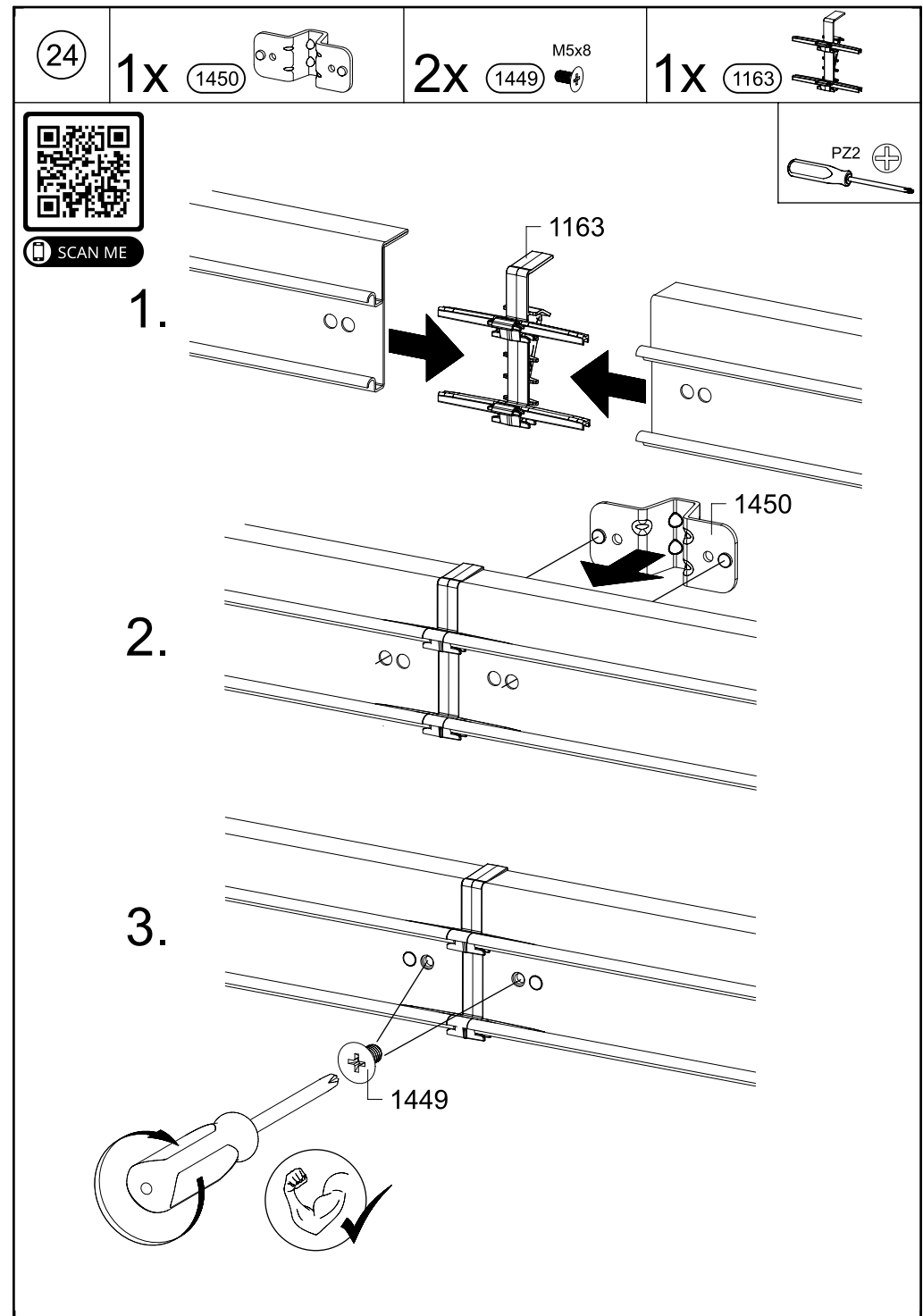
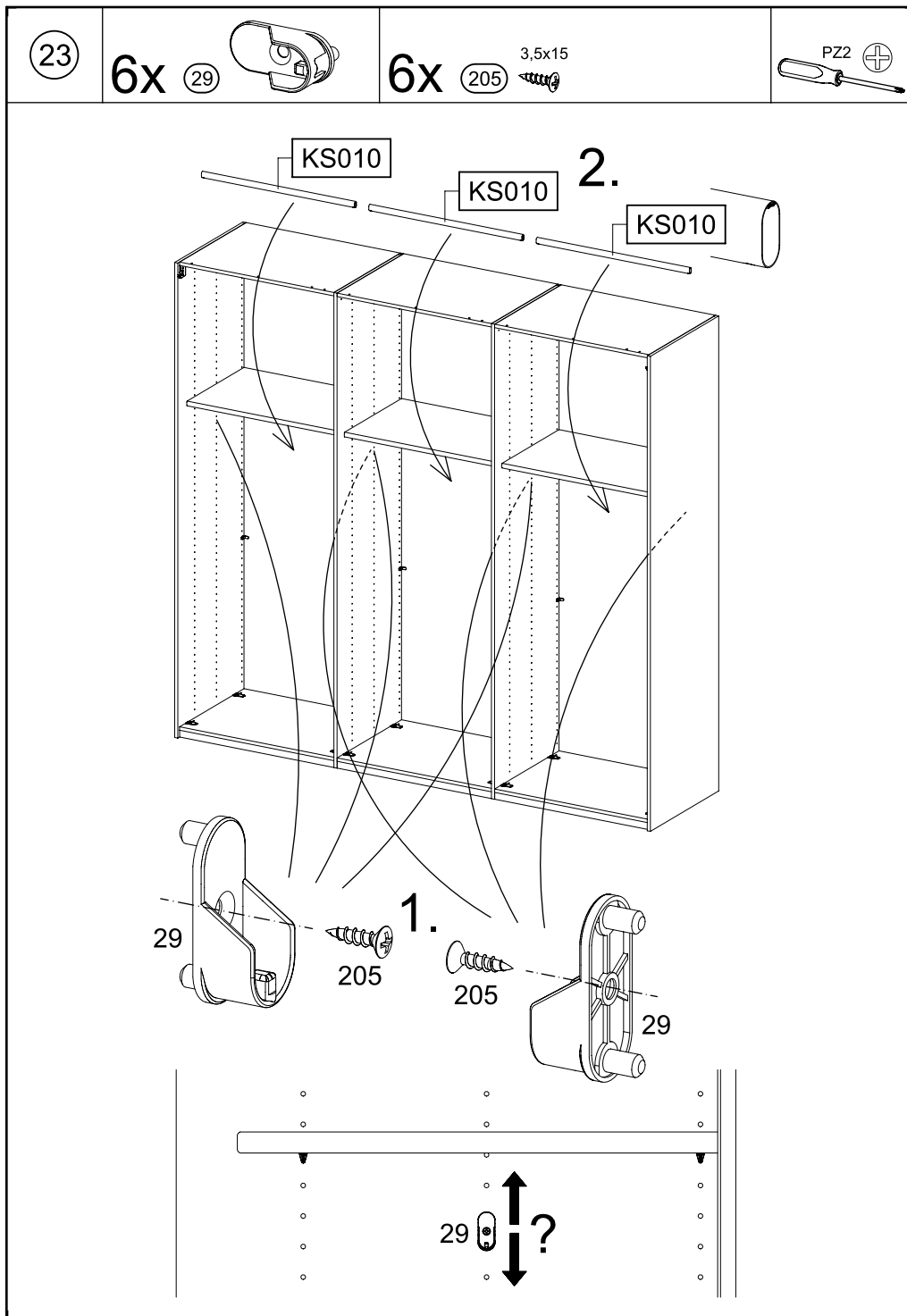
WA010

WA010

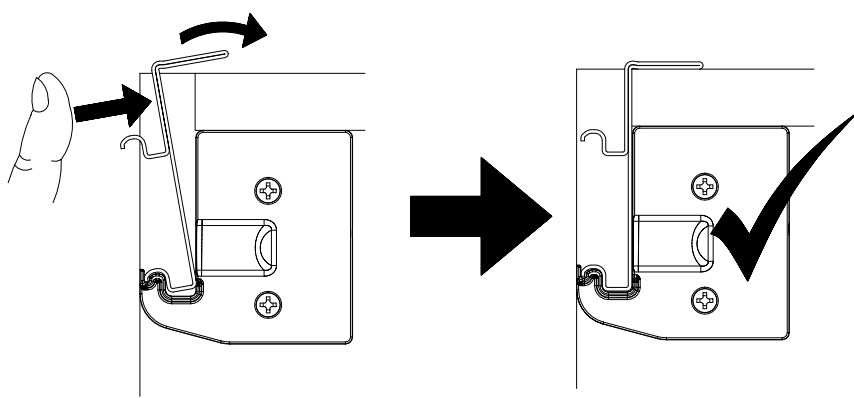
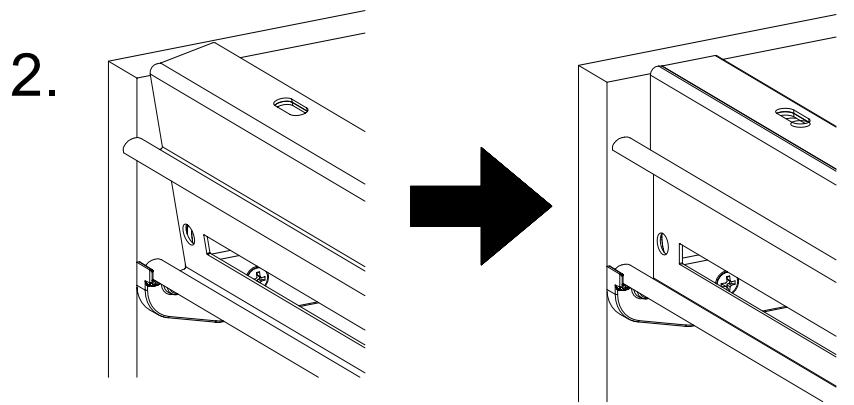
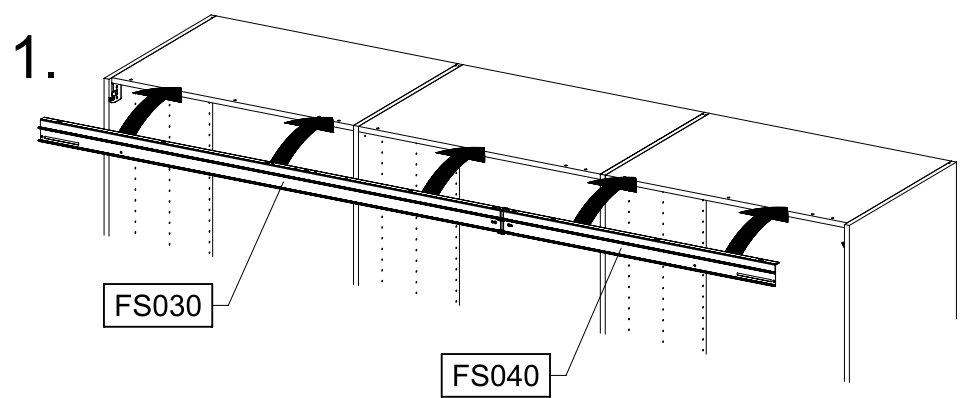
2.

WA010





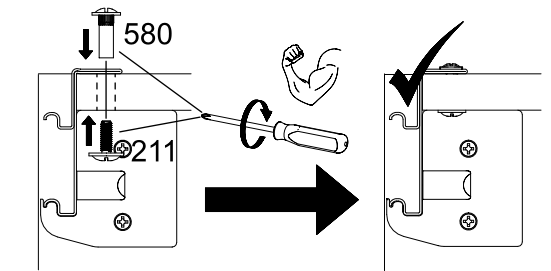
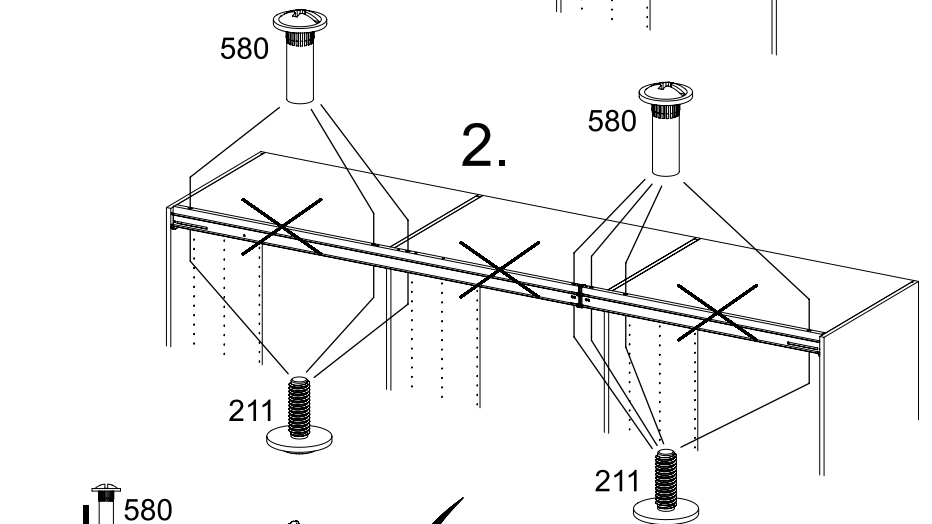
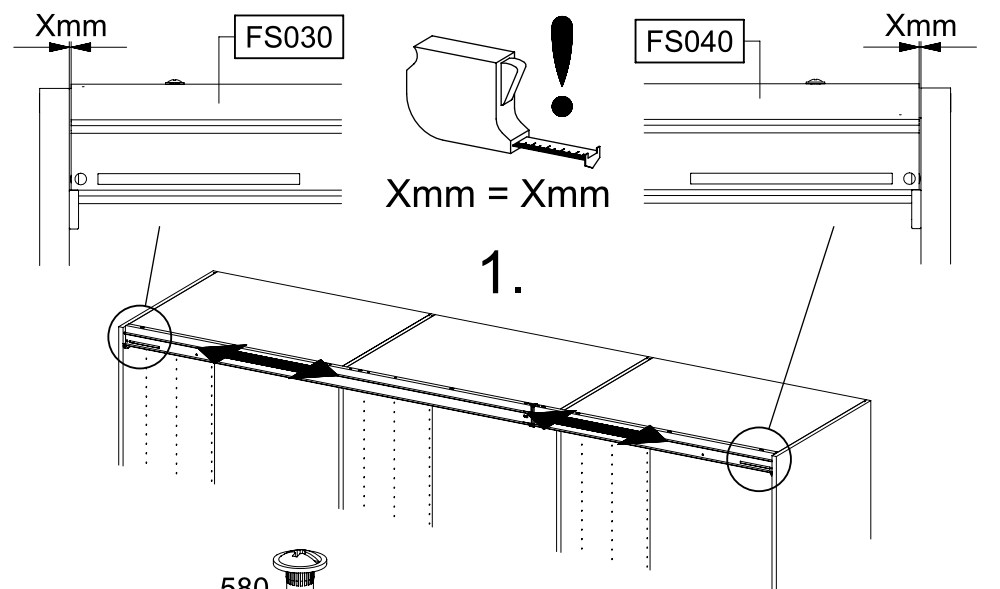
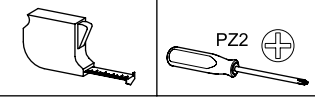
25

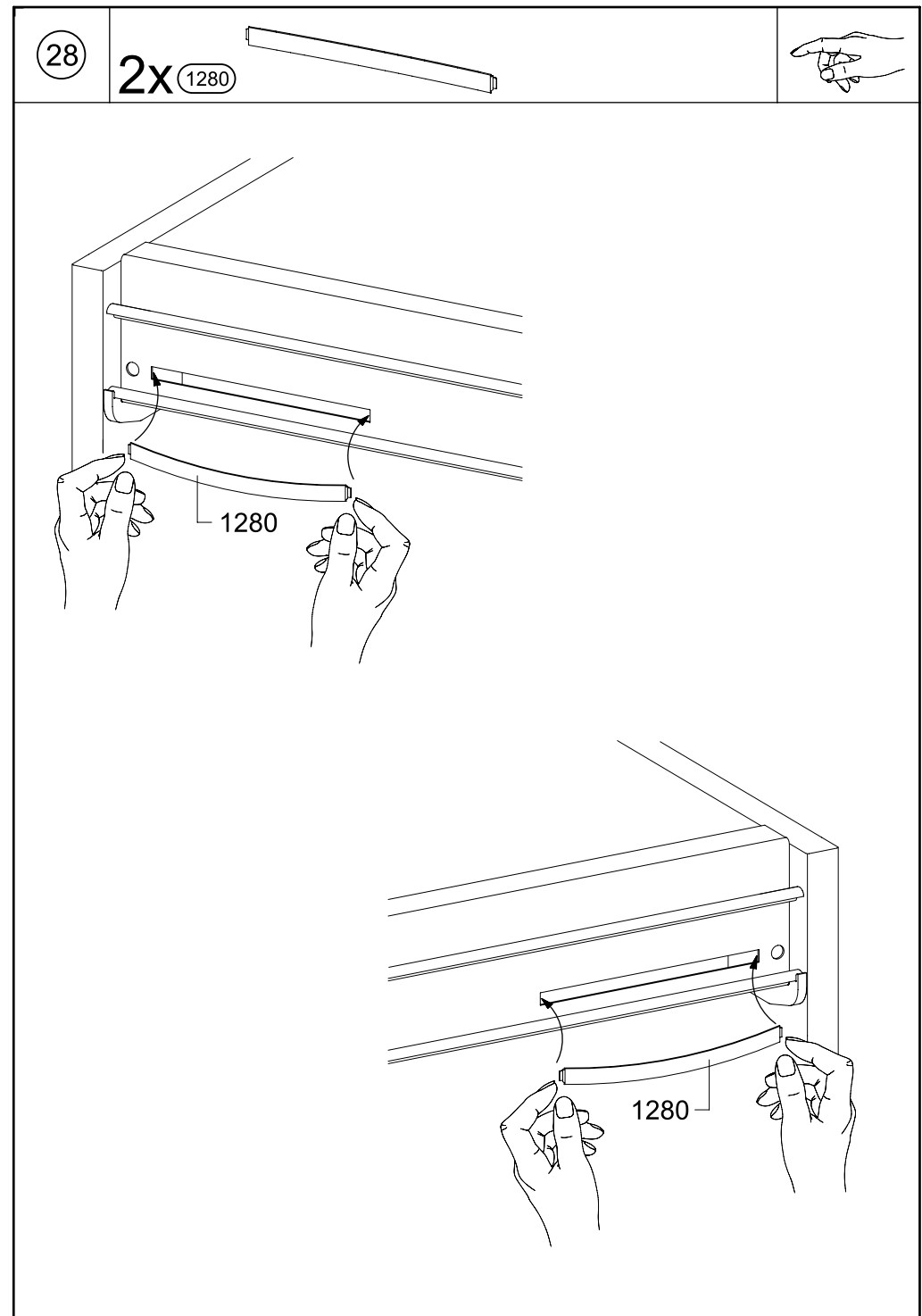
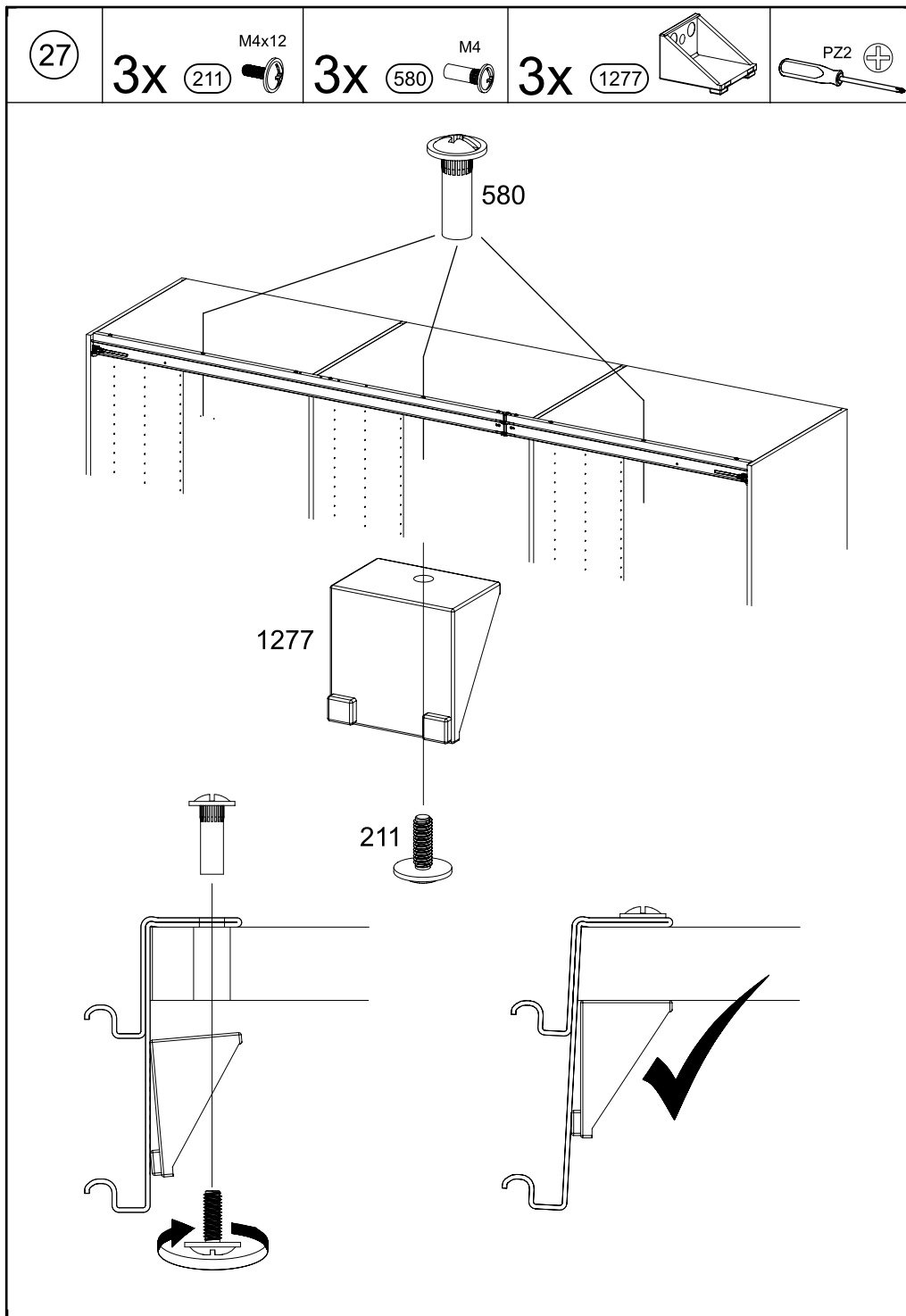


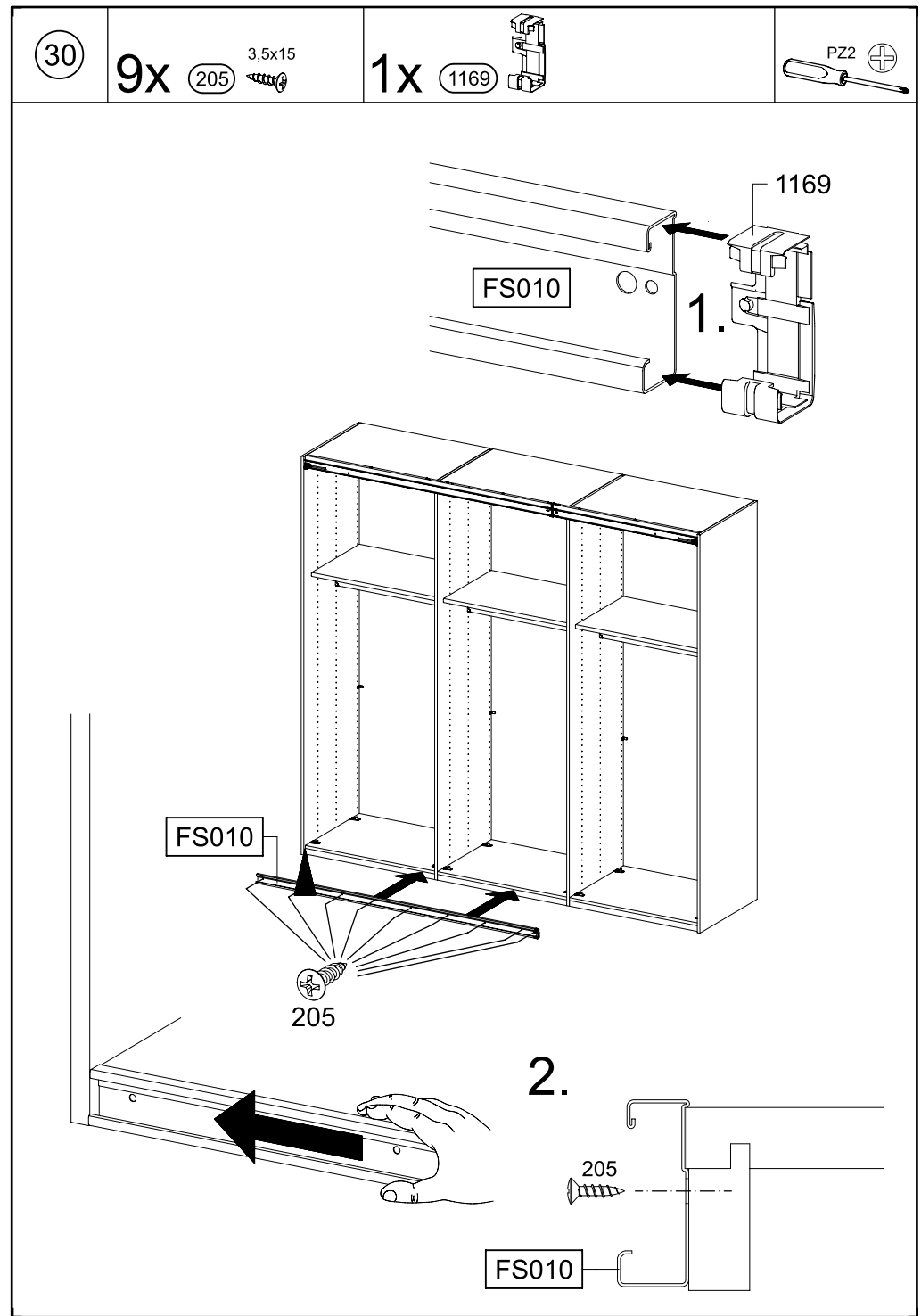
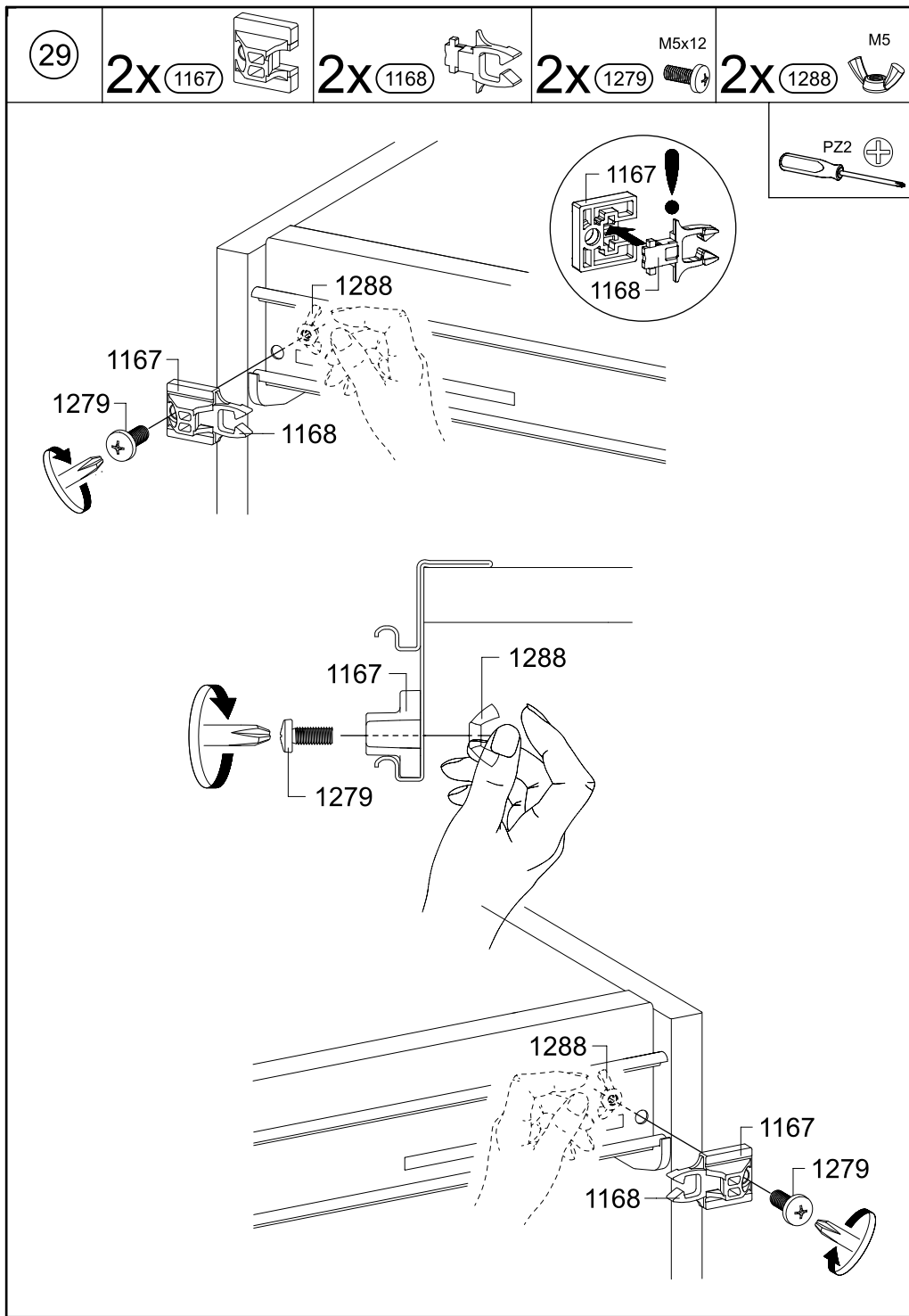
26

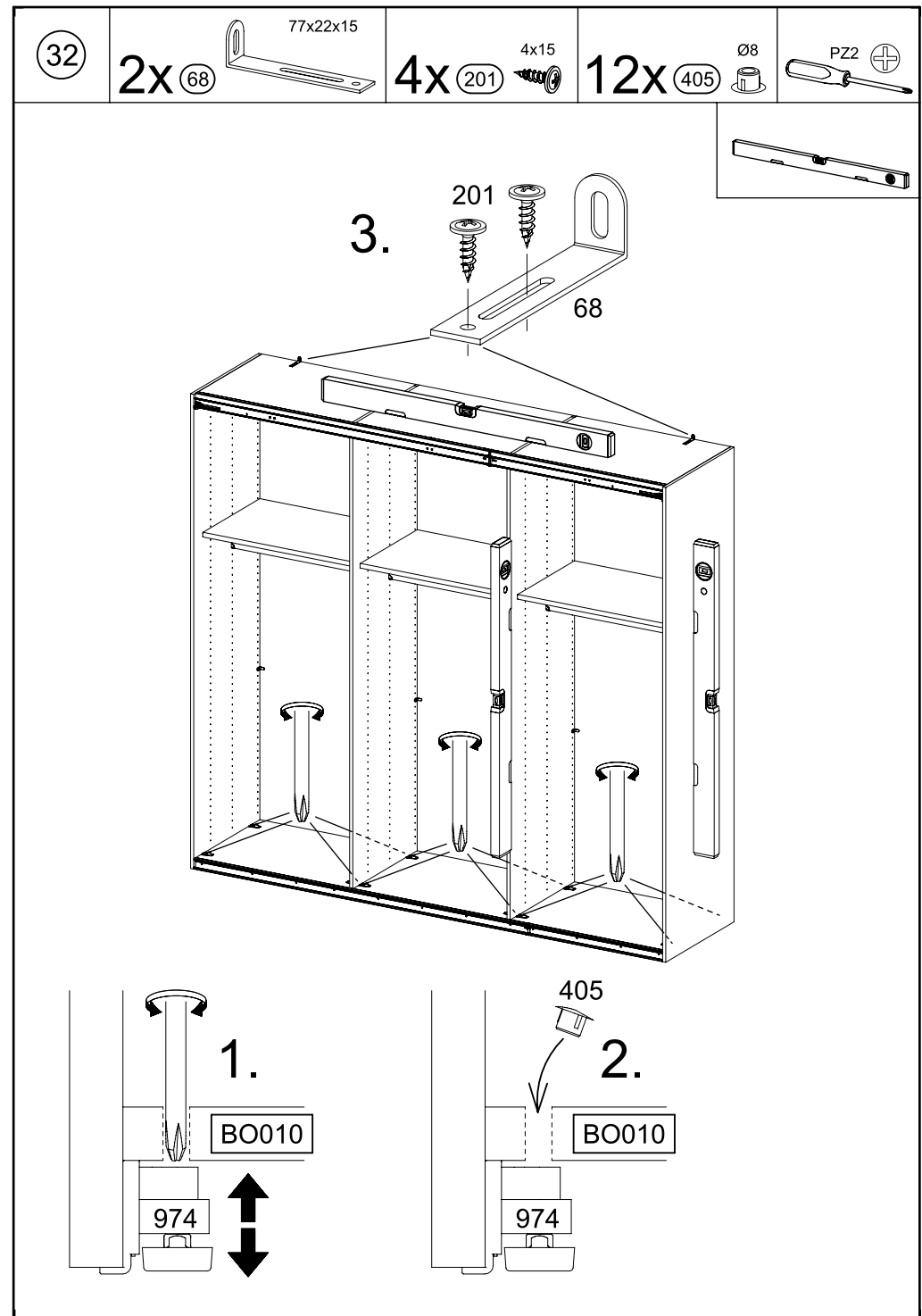
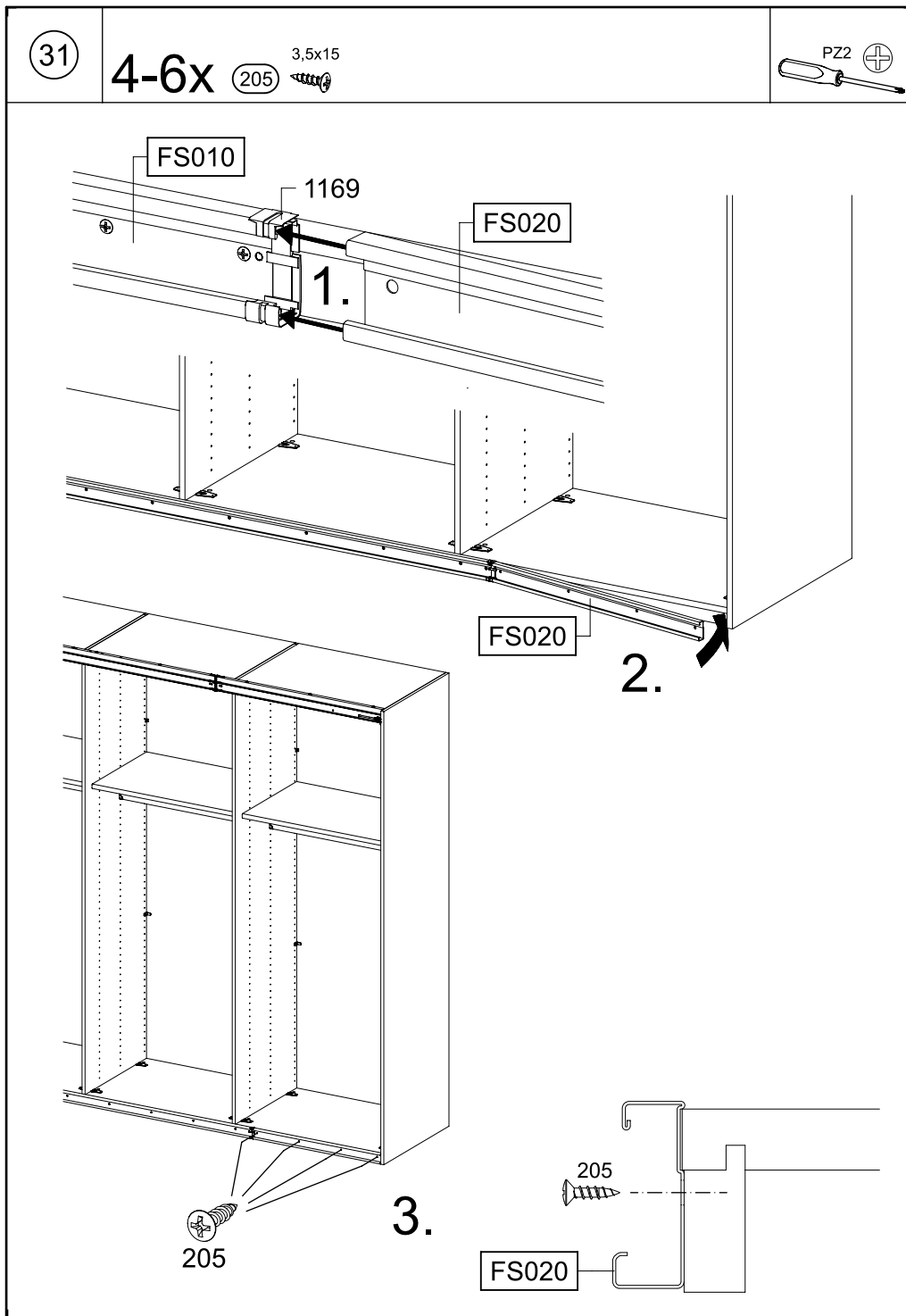
7x M4x12 211

7x 580 M4






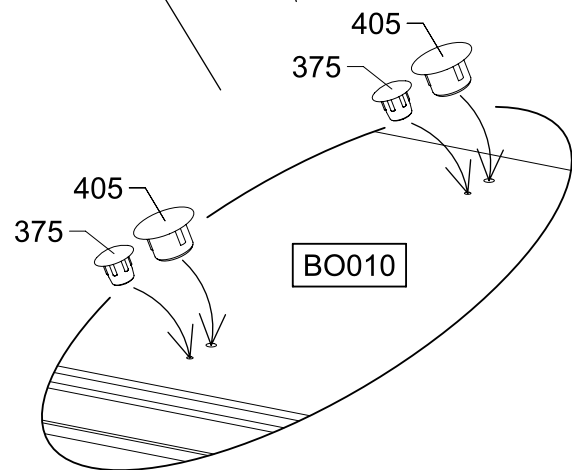
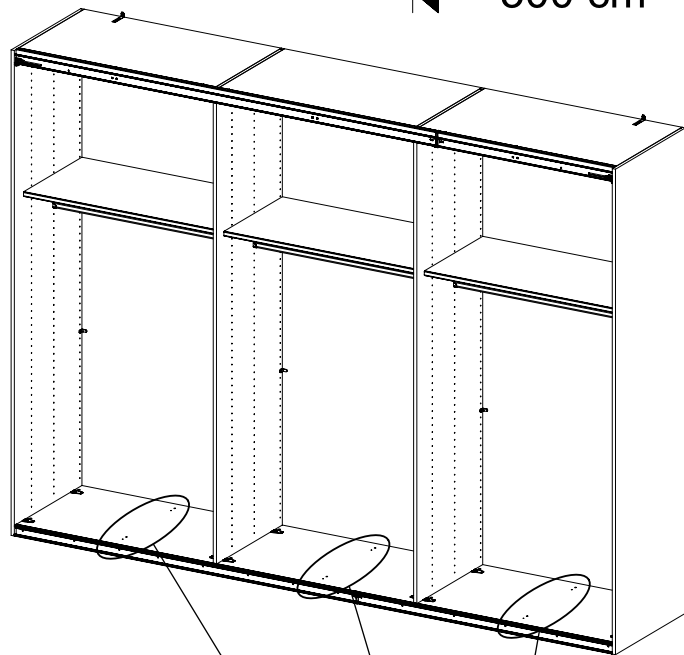




33

6x 405  Ø86x 375  Ø5

← 300 cm →

12x 45 PZ2 