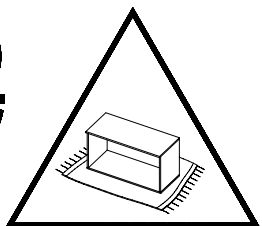
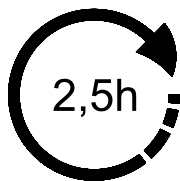
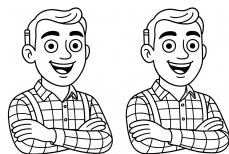
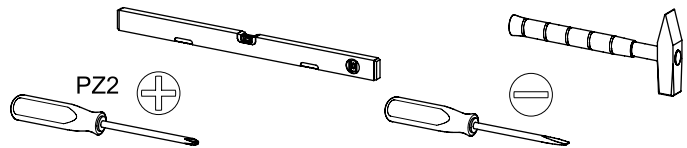
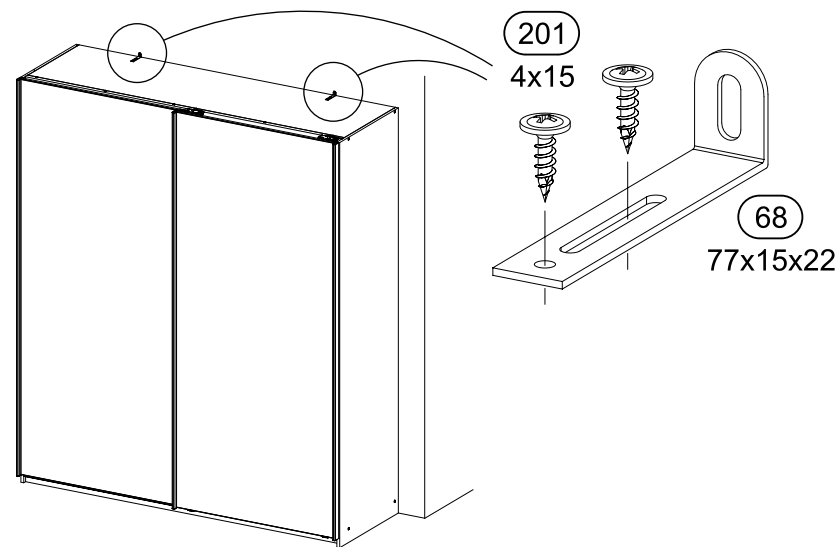
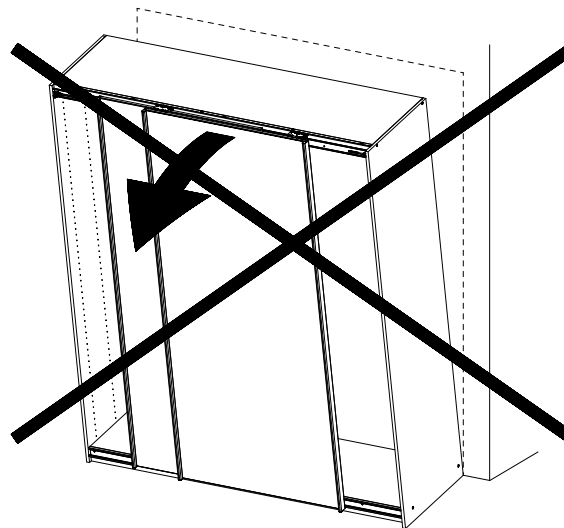
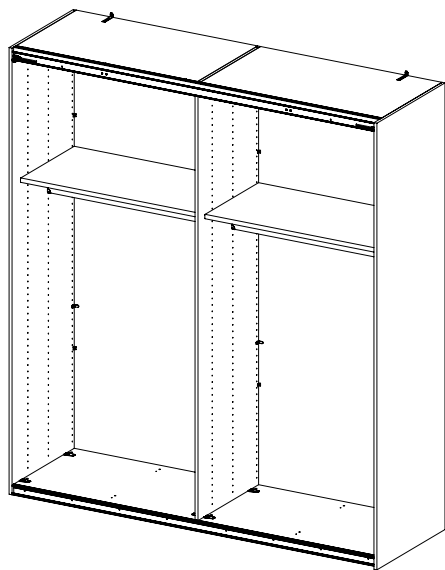
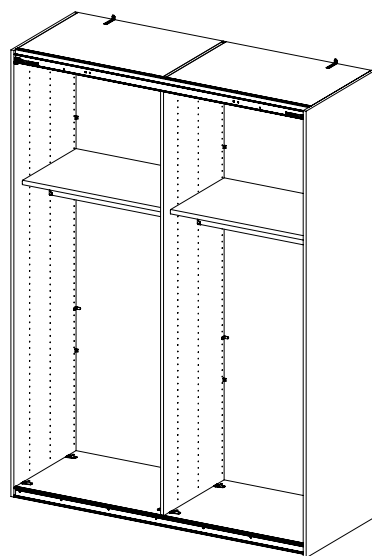


MD289_03



← 160 cm →

← 200 cm →

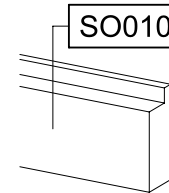
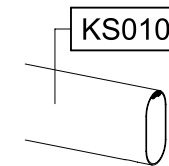
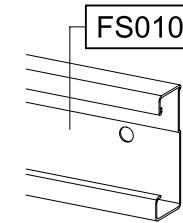
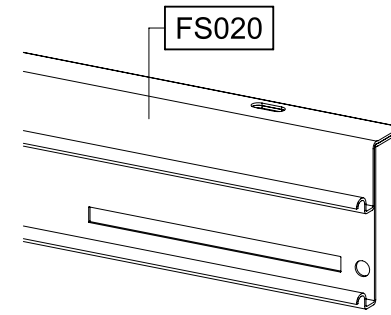
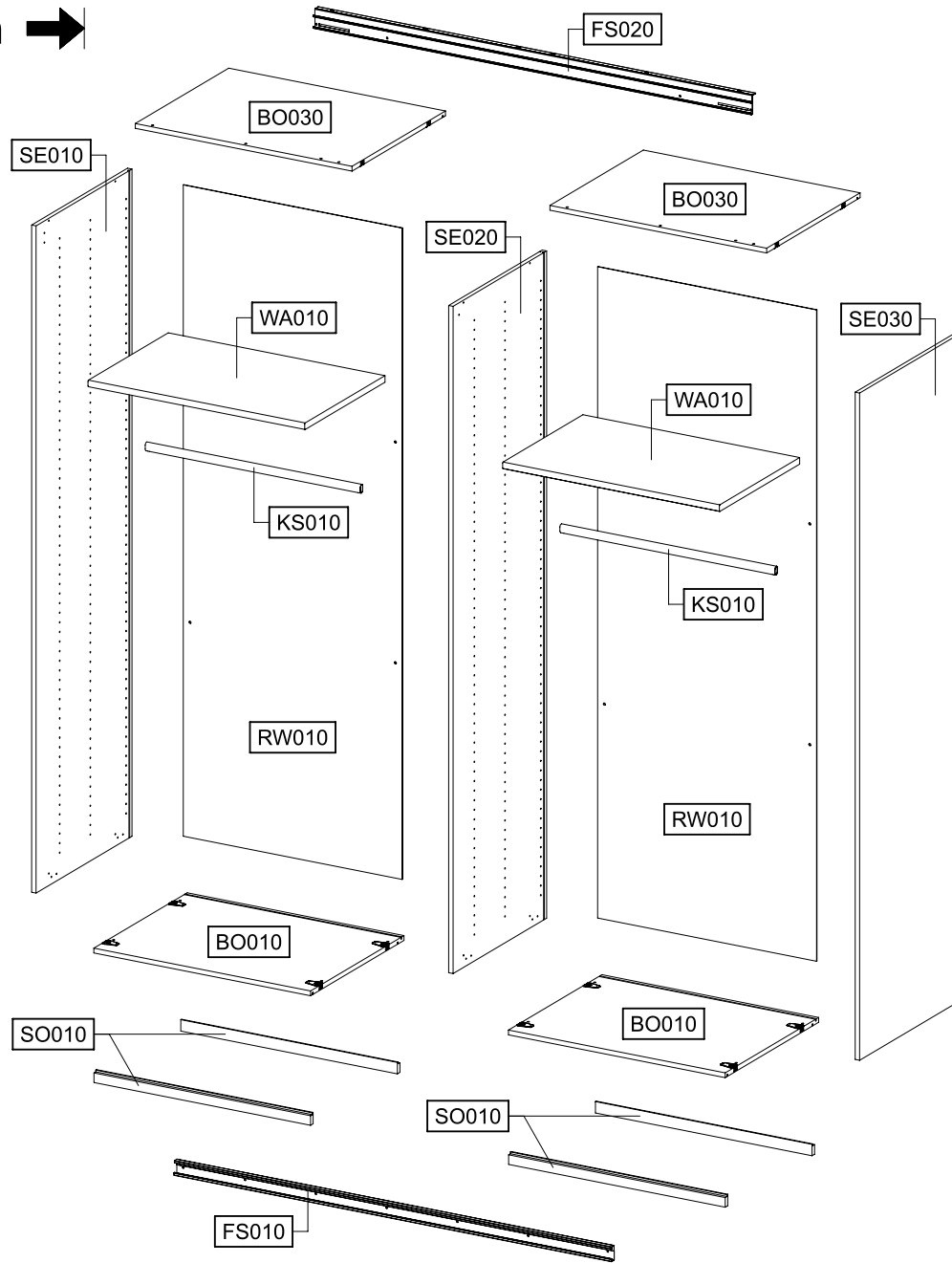


VIDEO

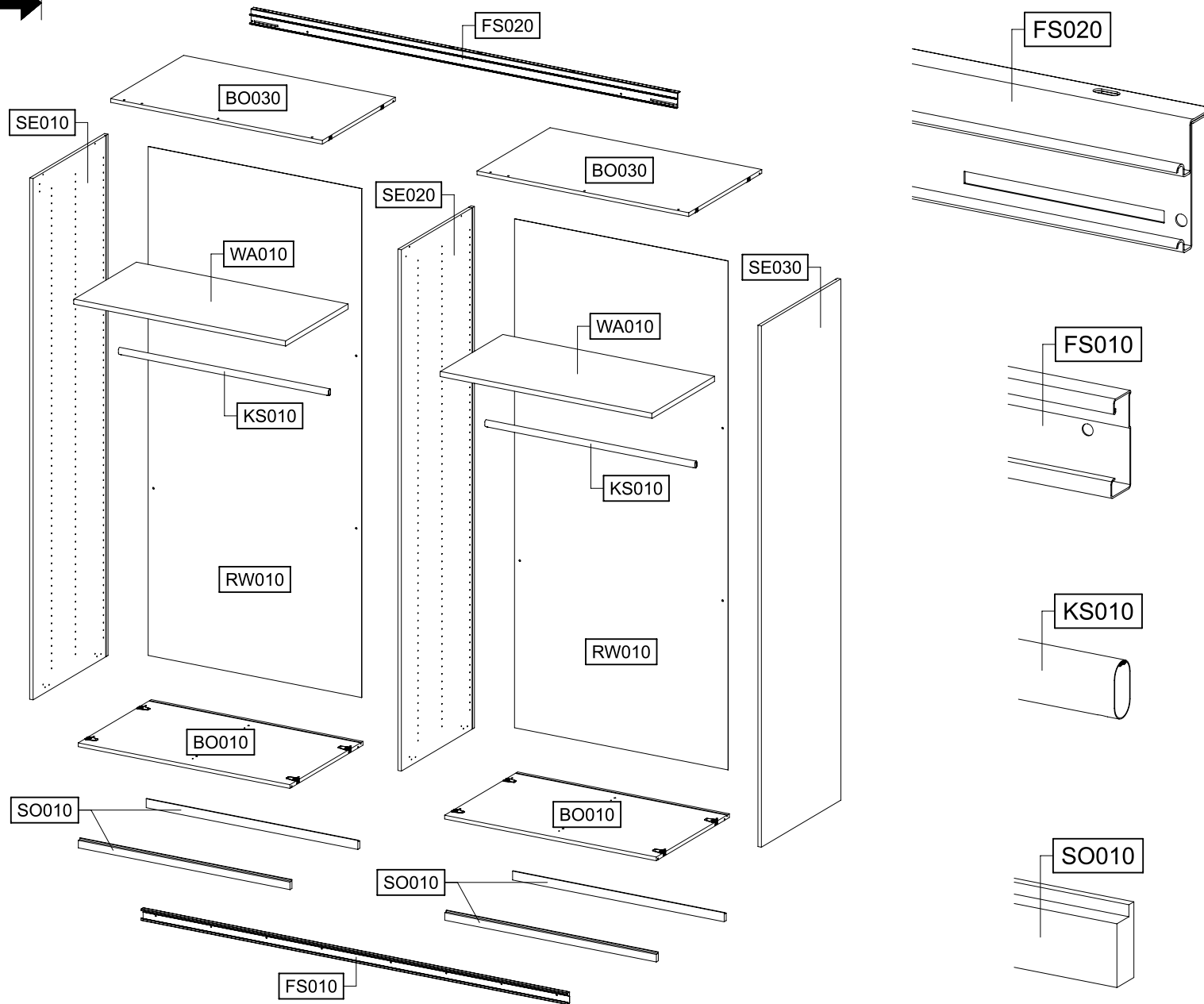


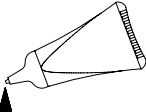
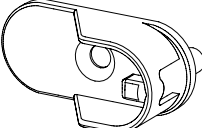
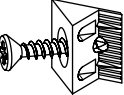

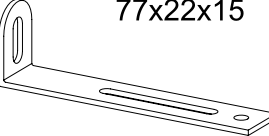

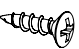






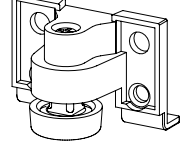
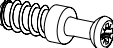
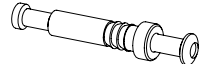
SCAN ME


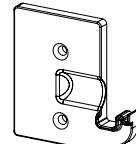
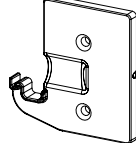
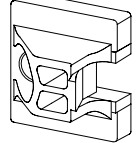
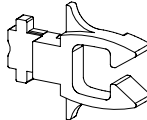
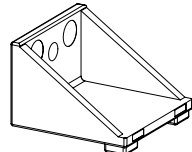
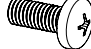

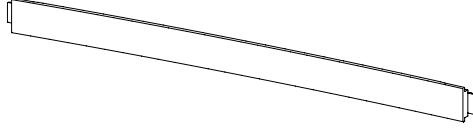
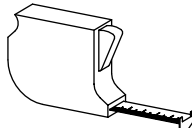
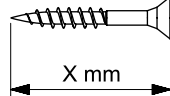
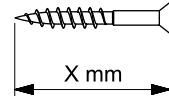
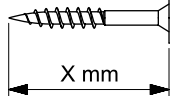
← 160 cm →

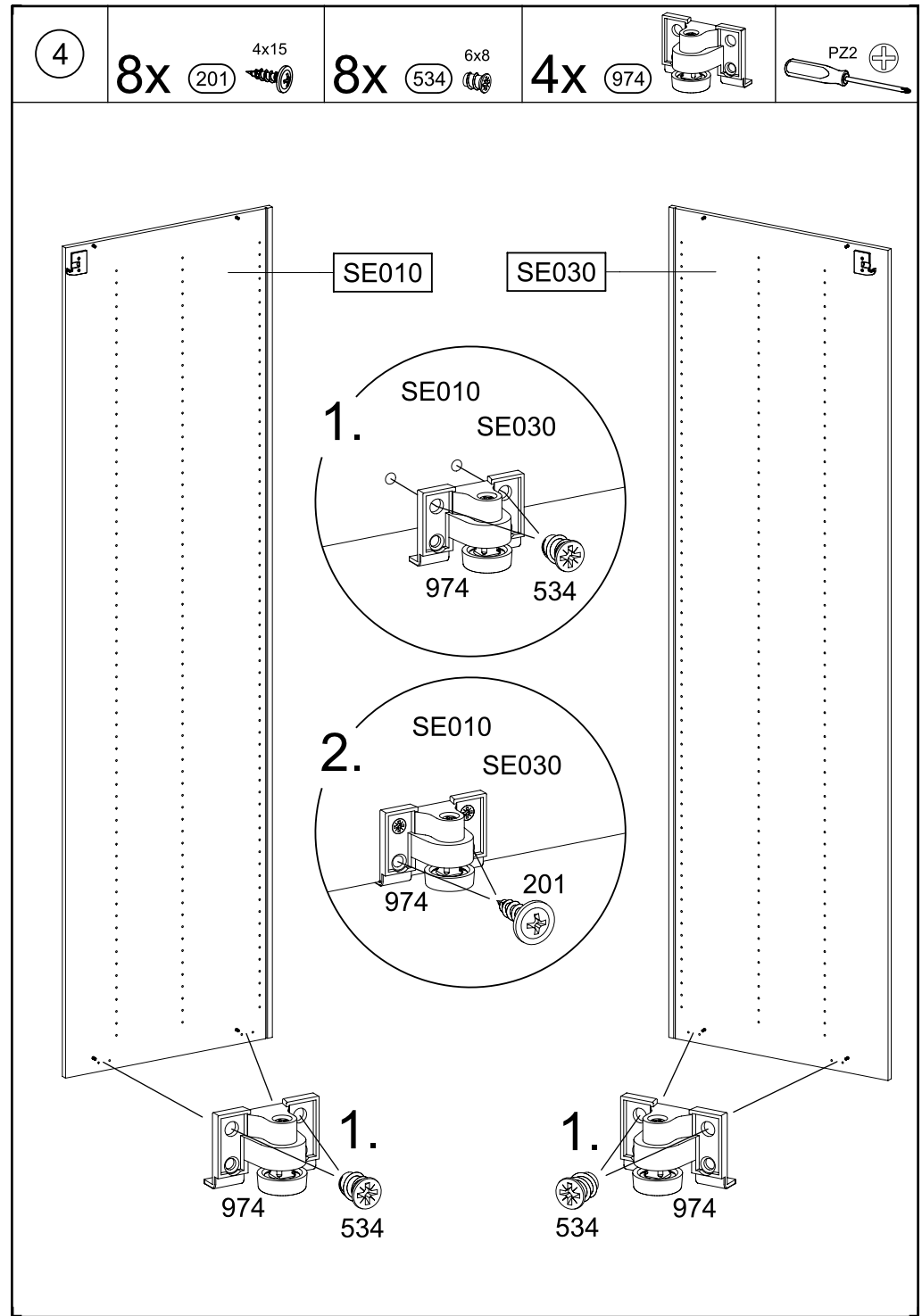
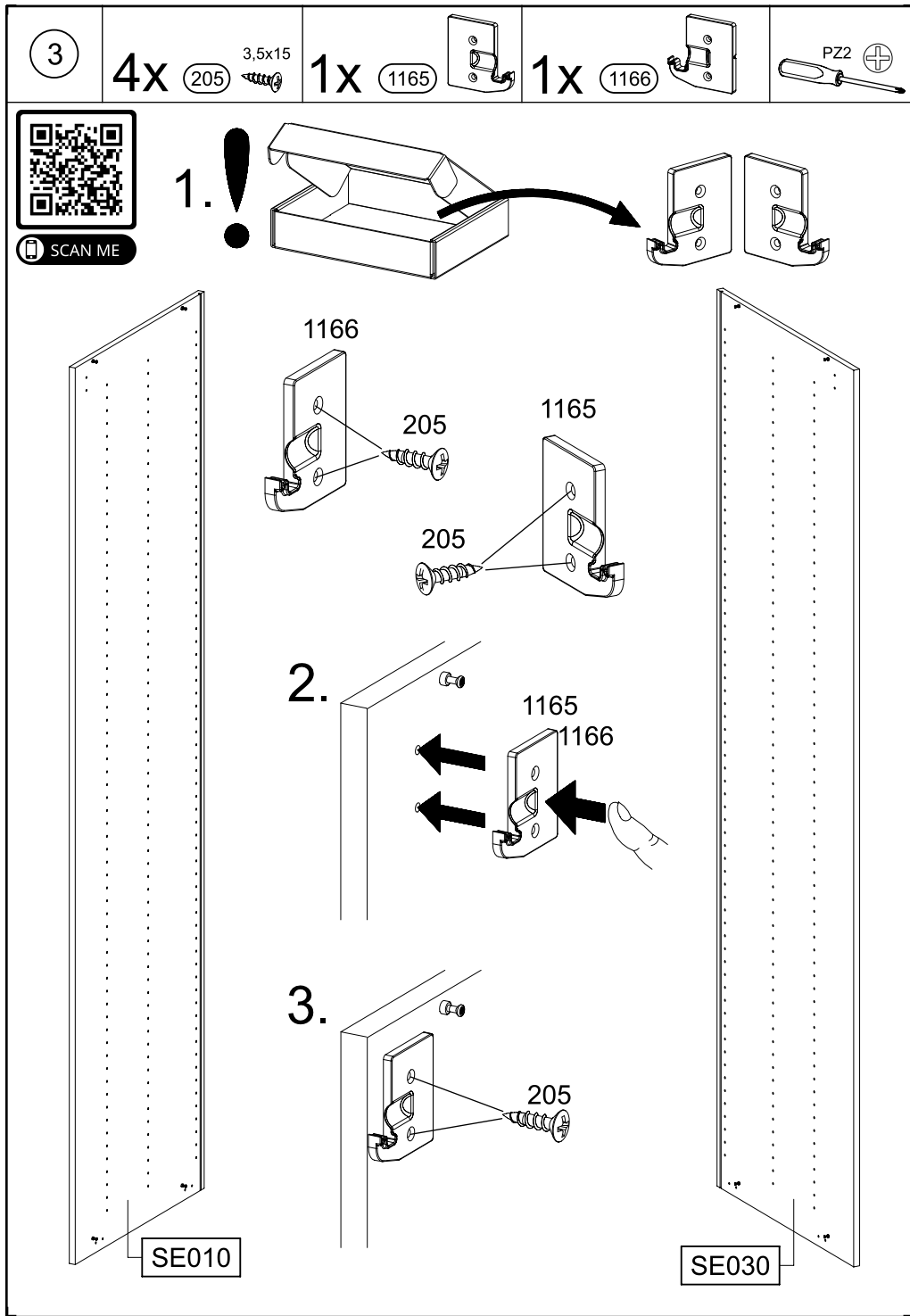


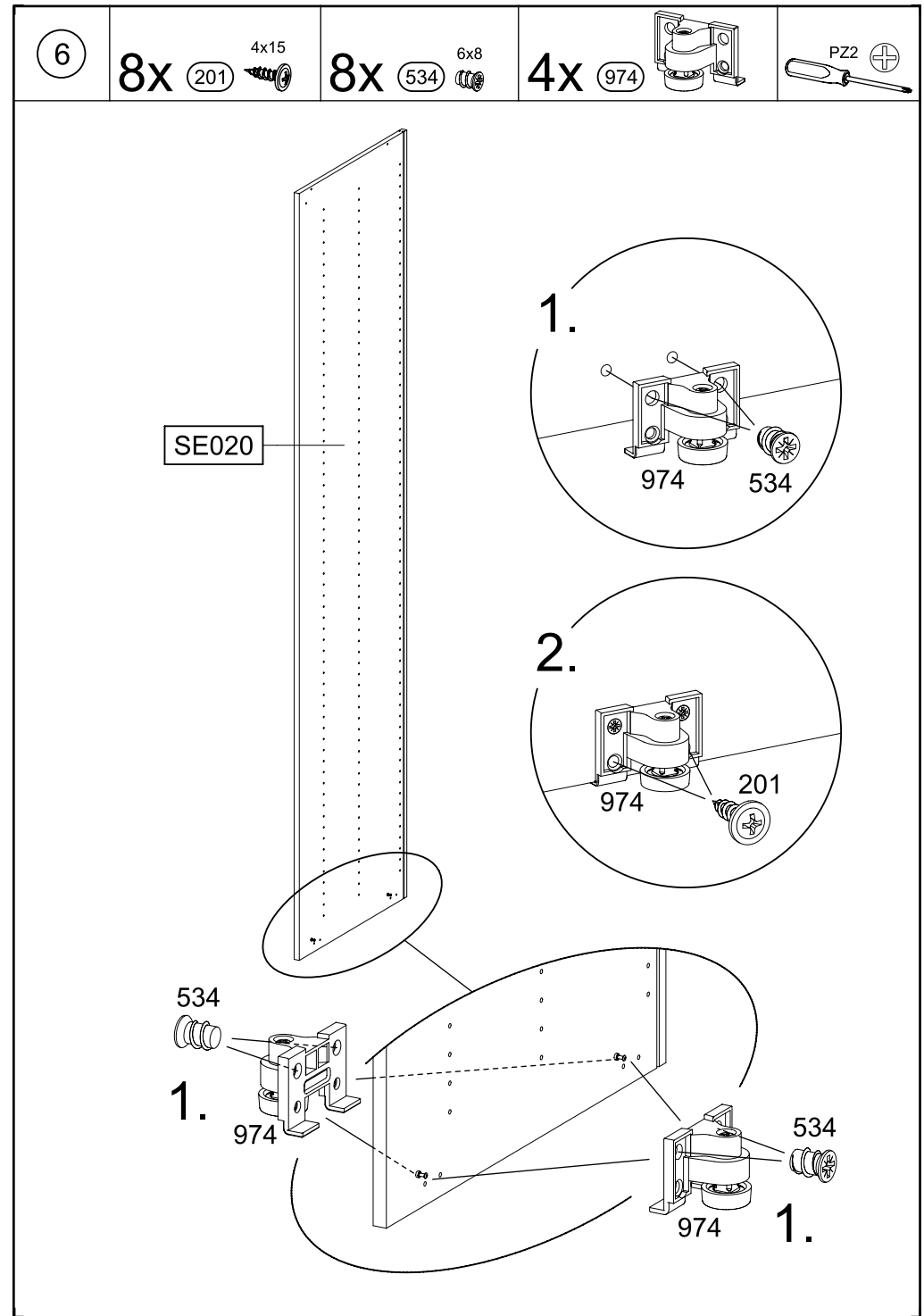
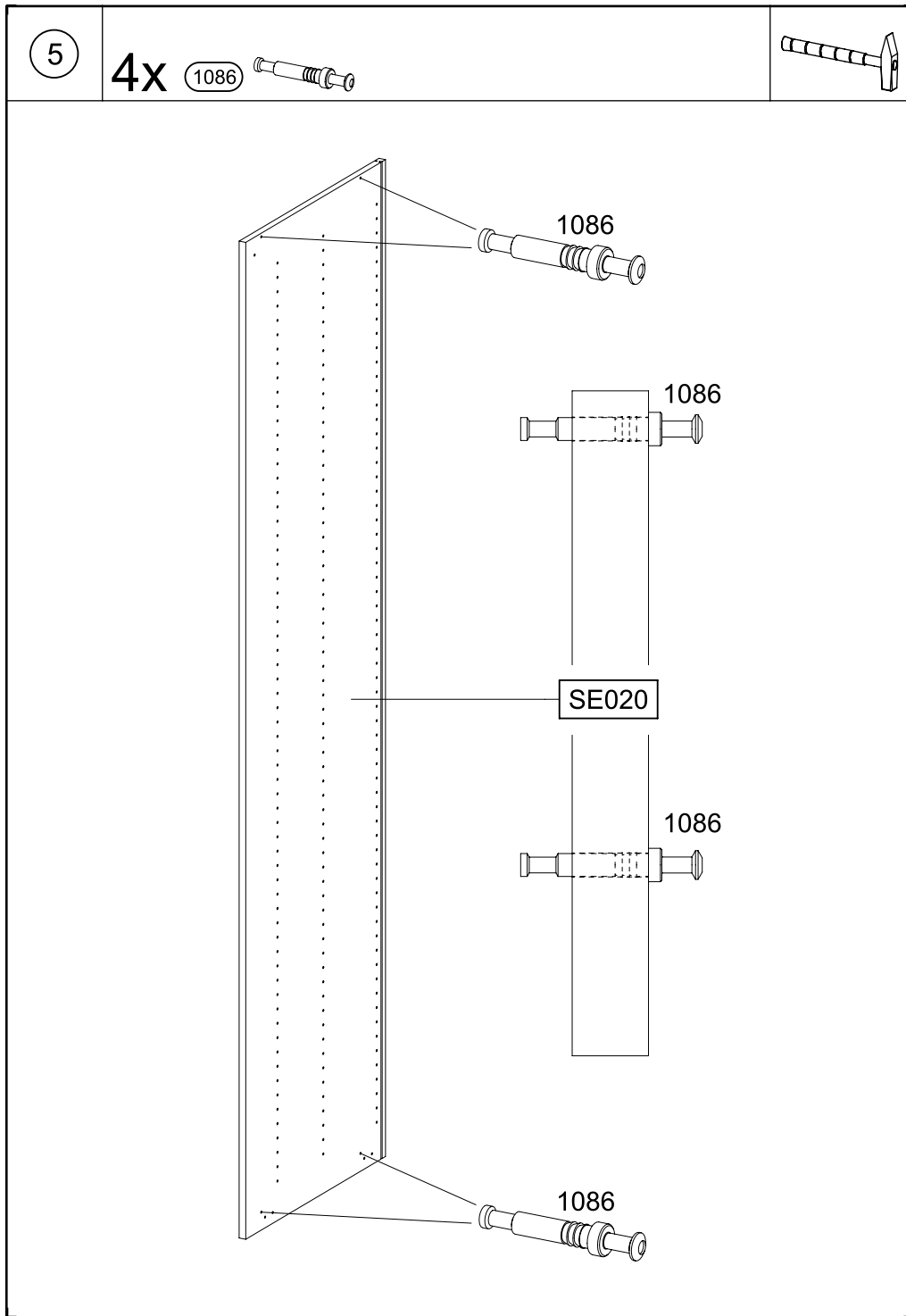
← 200 cm →

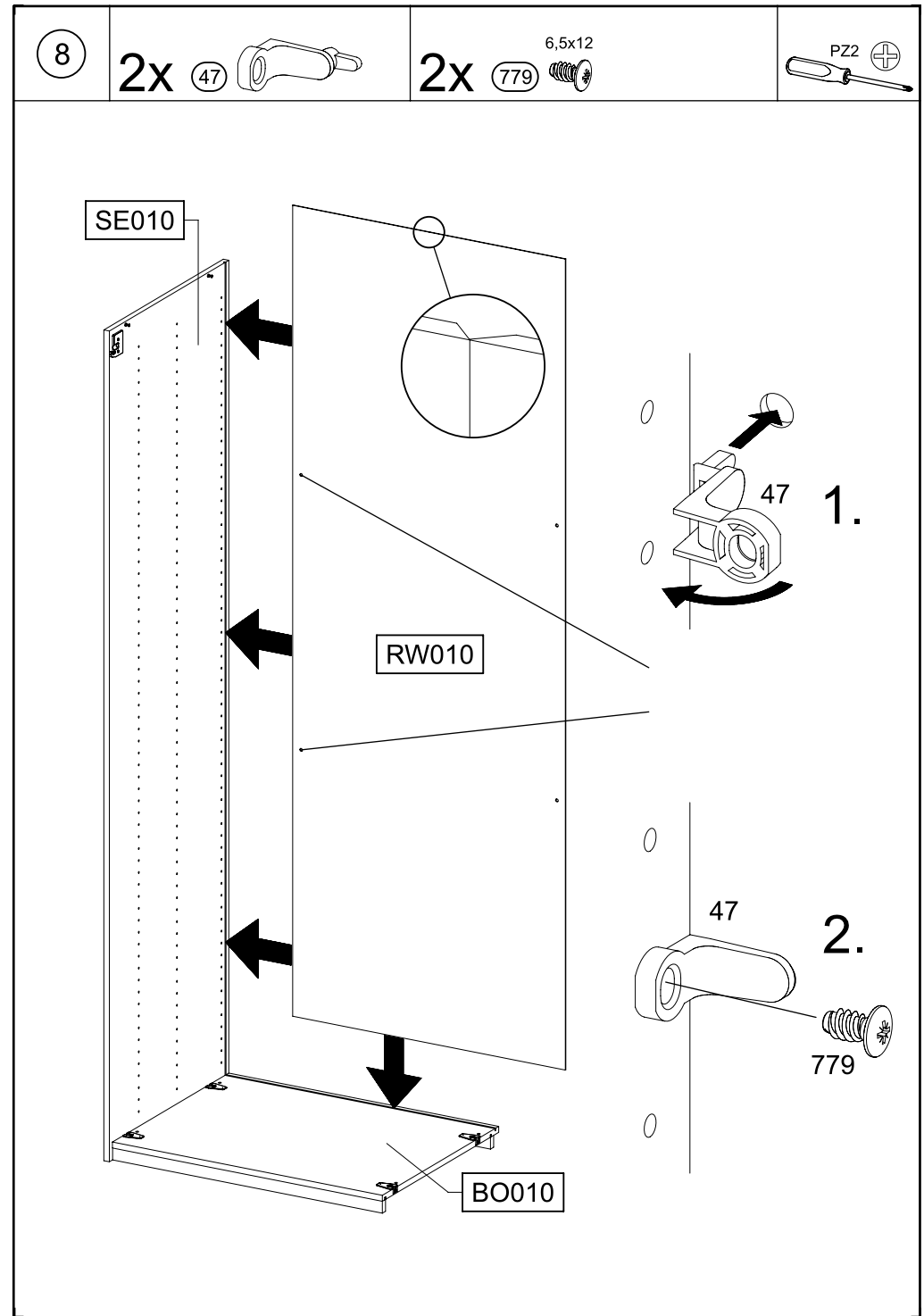
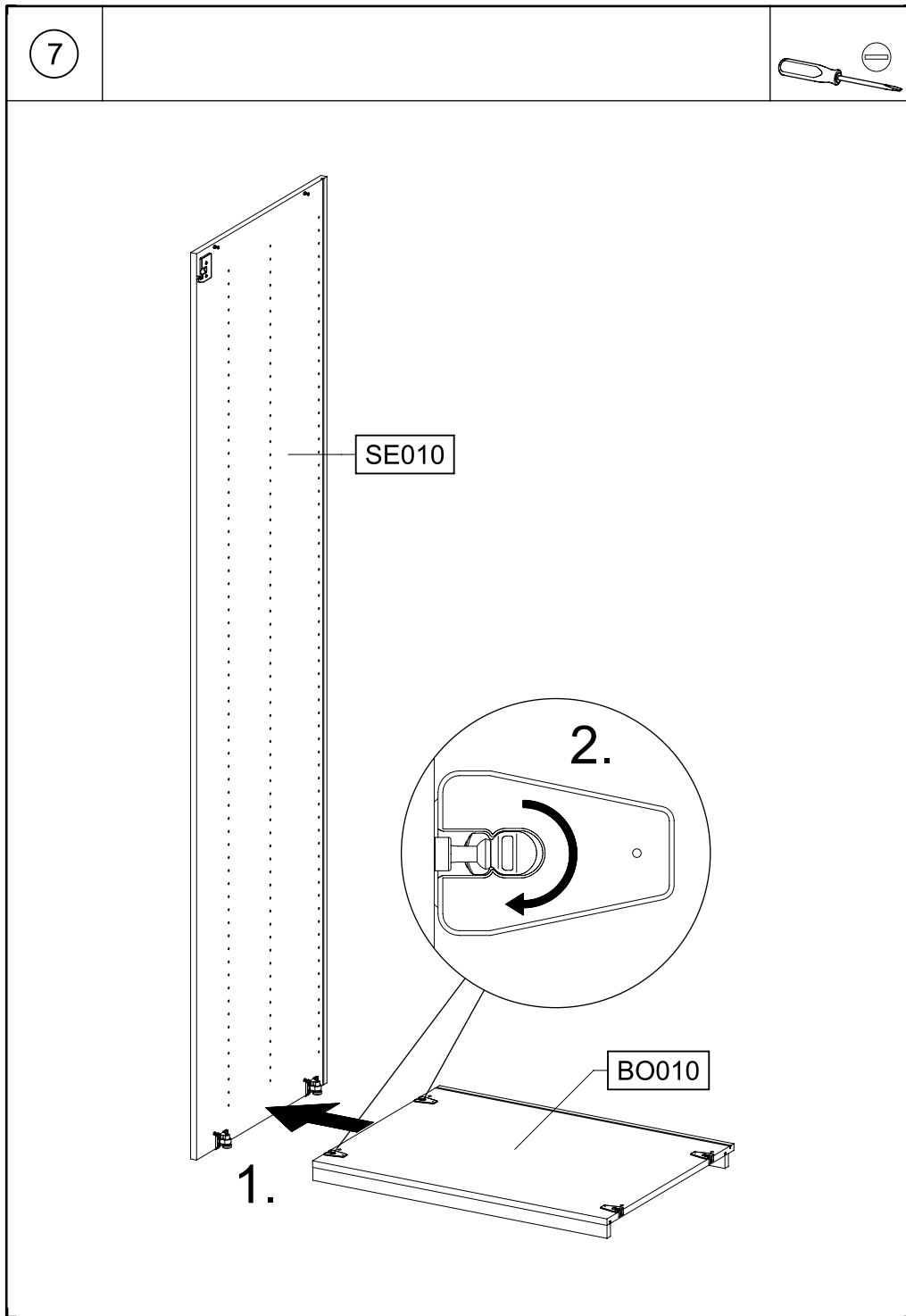


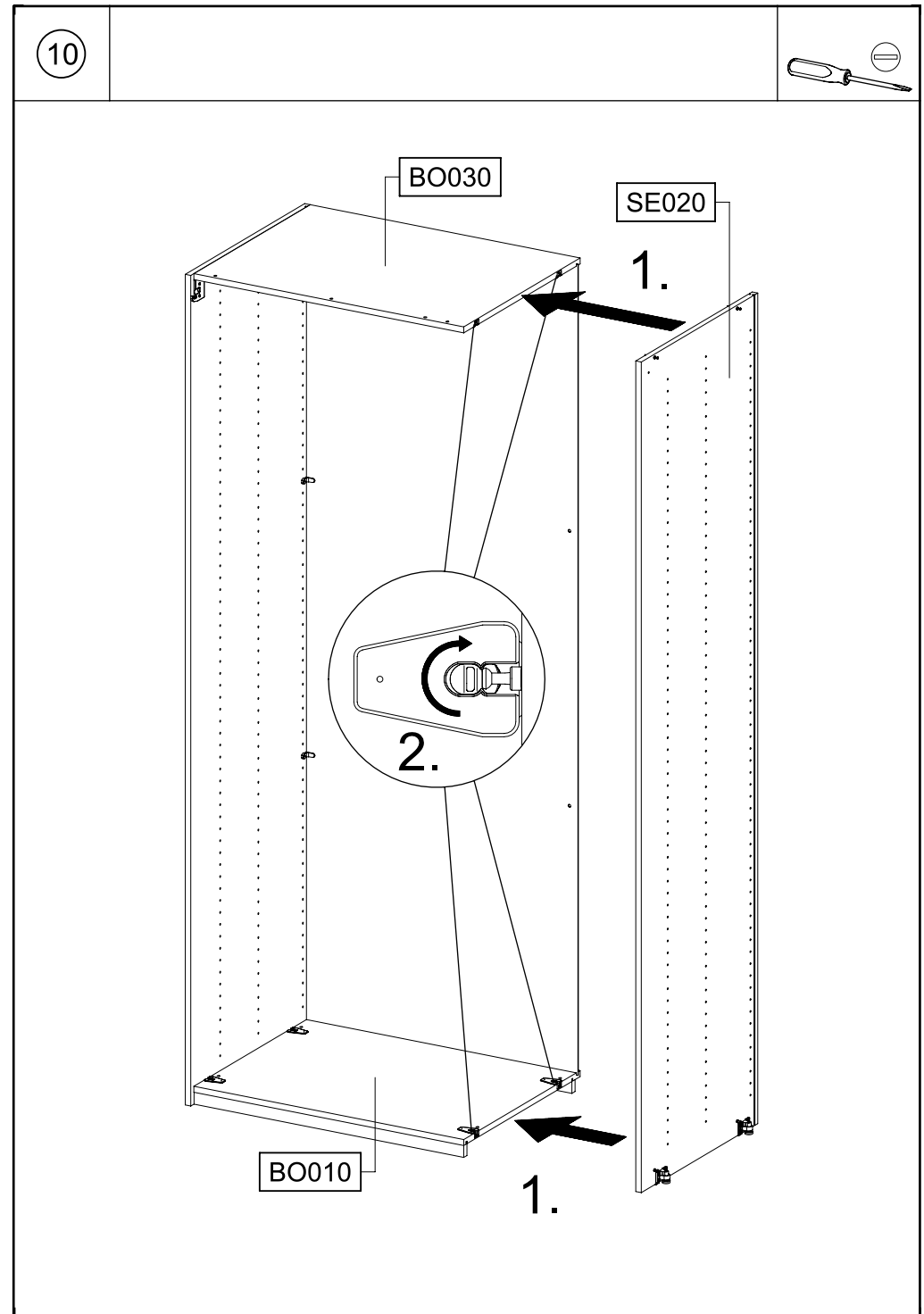
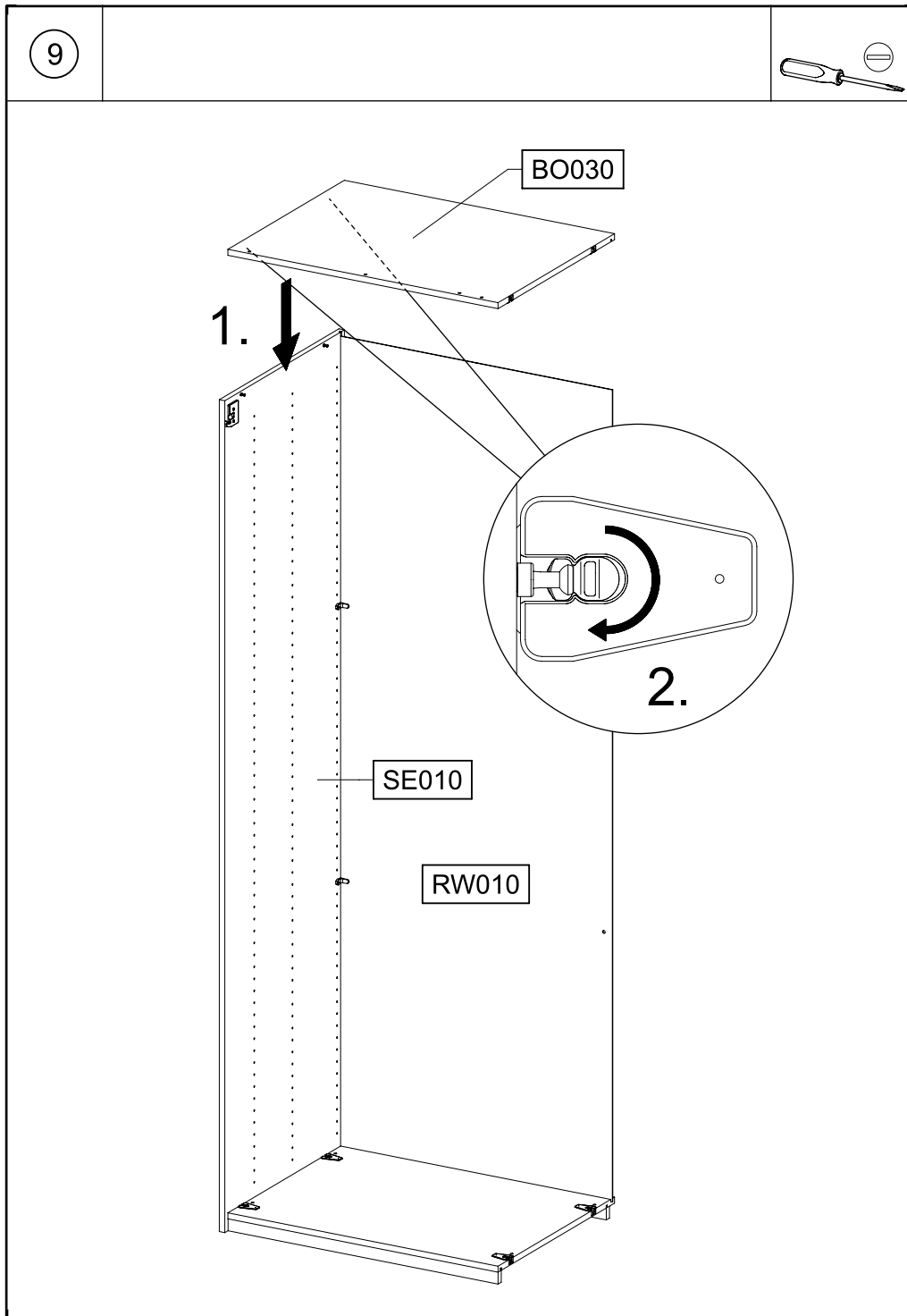
2x 11 	4x 29 
8x 45 	8x 47 
2x 68  77x22x15	20x 201  4x15
15-16x 205  3,5x15	6x 211  M4x12
0-4x 375  Ø5	8-12x 405  Ø8
16x 534  6x8	6x 580  M4
8x 779  6,5x12	8x 974 
8x 1085 	4x 1086 

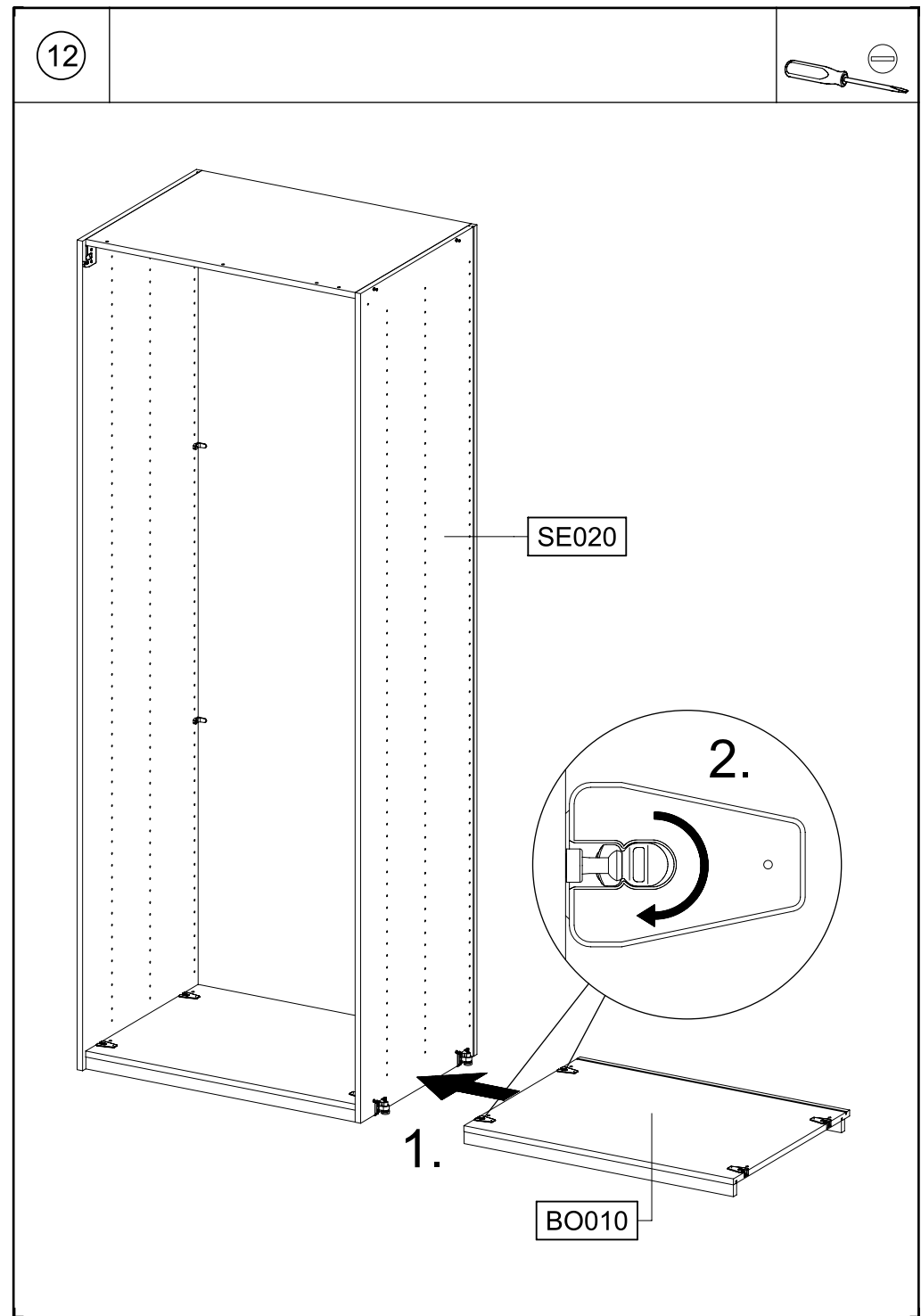
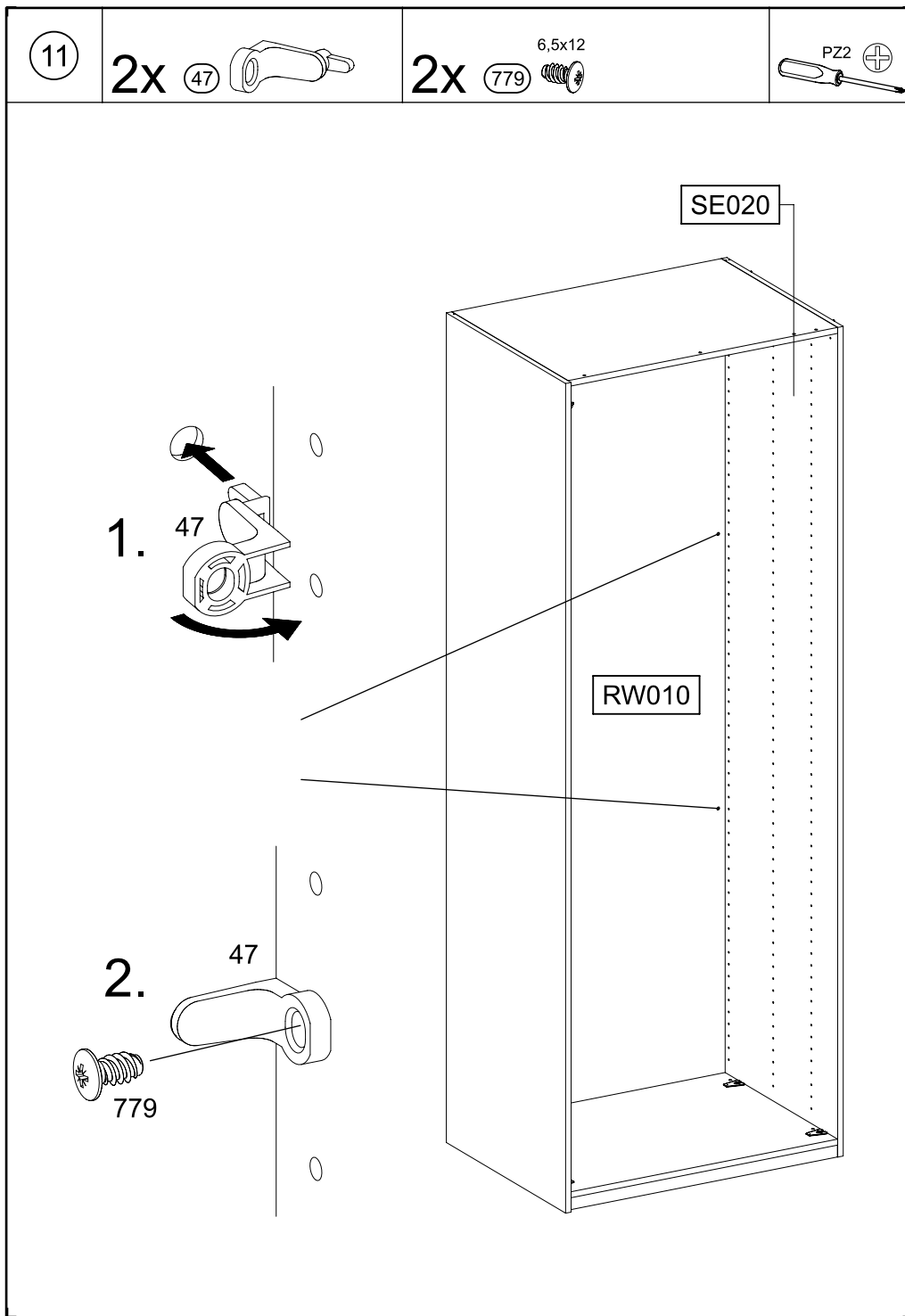
8x 1089 	1x 1165 
1x 1166 	2x 1167 
2x 1168 	2x 1277 
2x 1279  M5x12	2x 1288  M5
2x 1280 	
	 X mm
	 X mm
	 X mm











13

2x

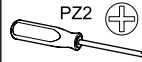
47



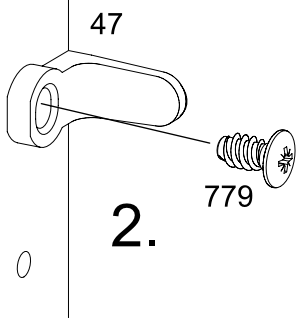
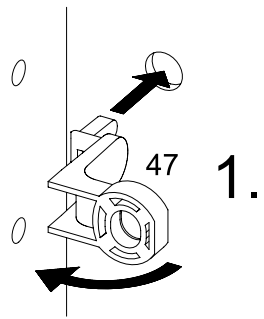
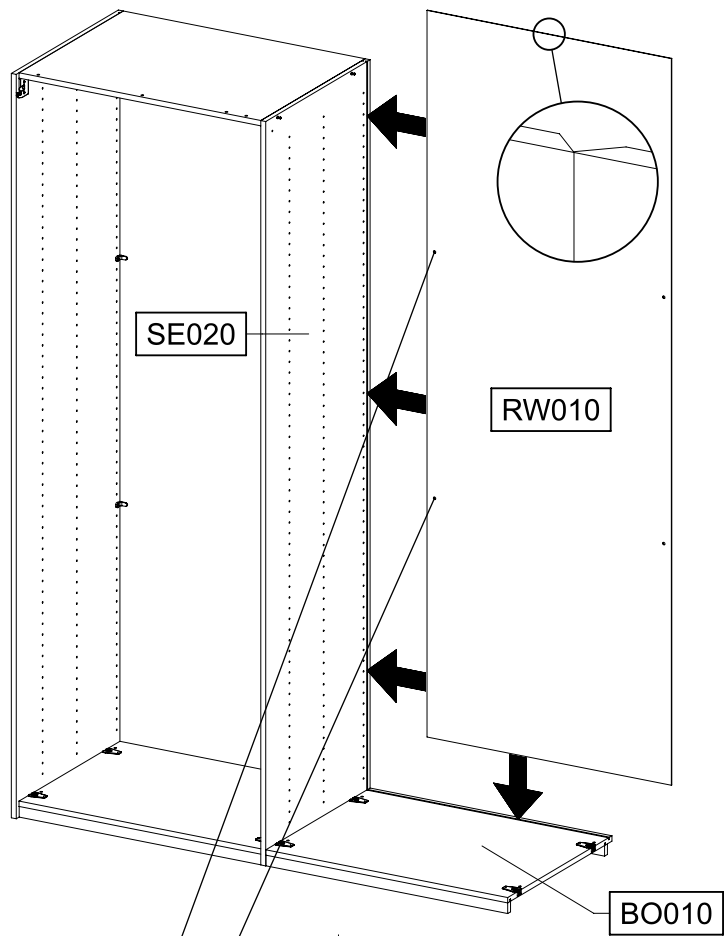
2x

779

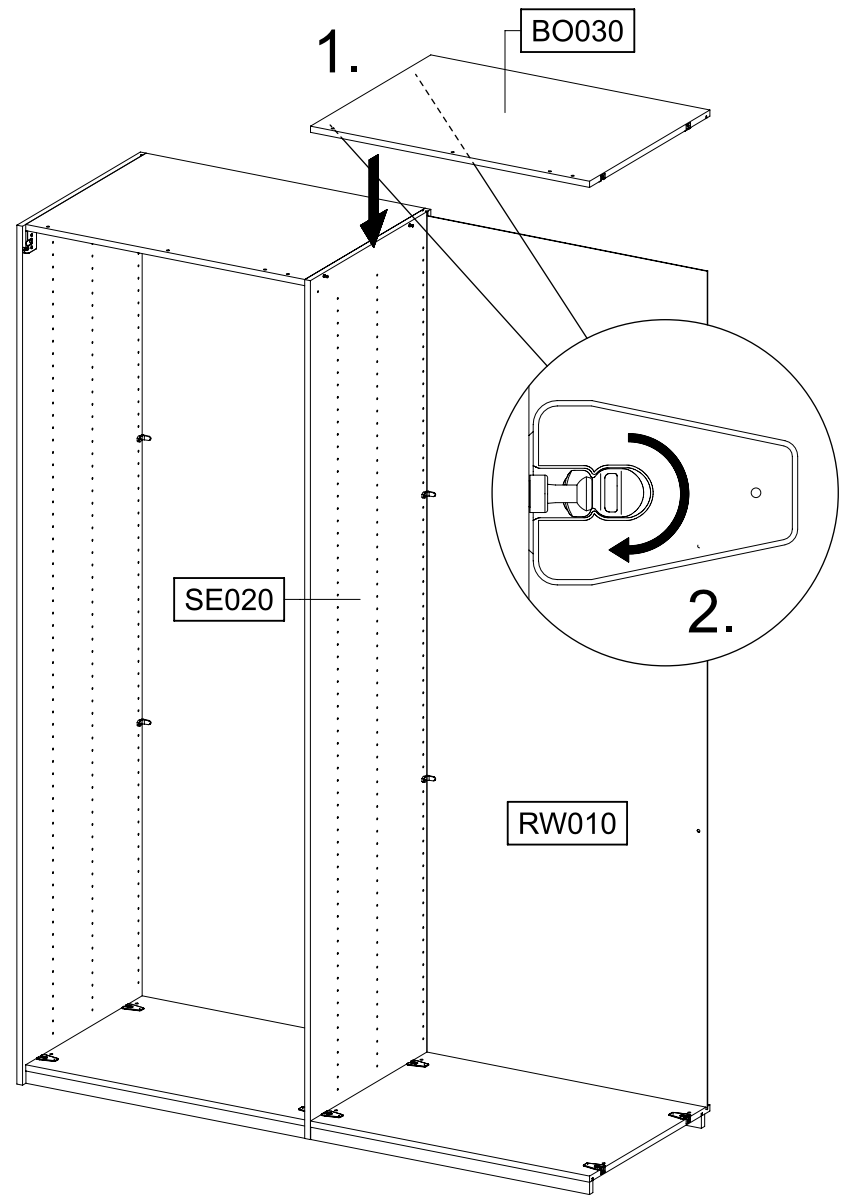
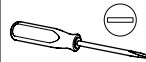
6,5x12



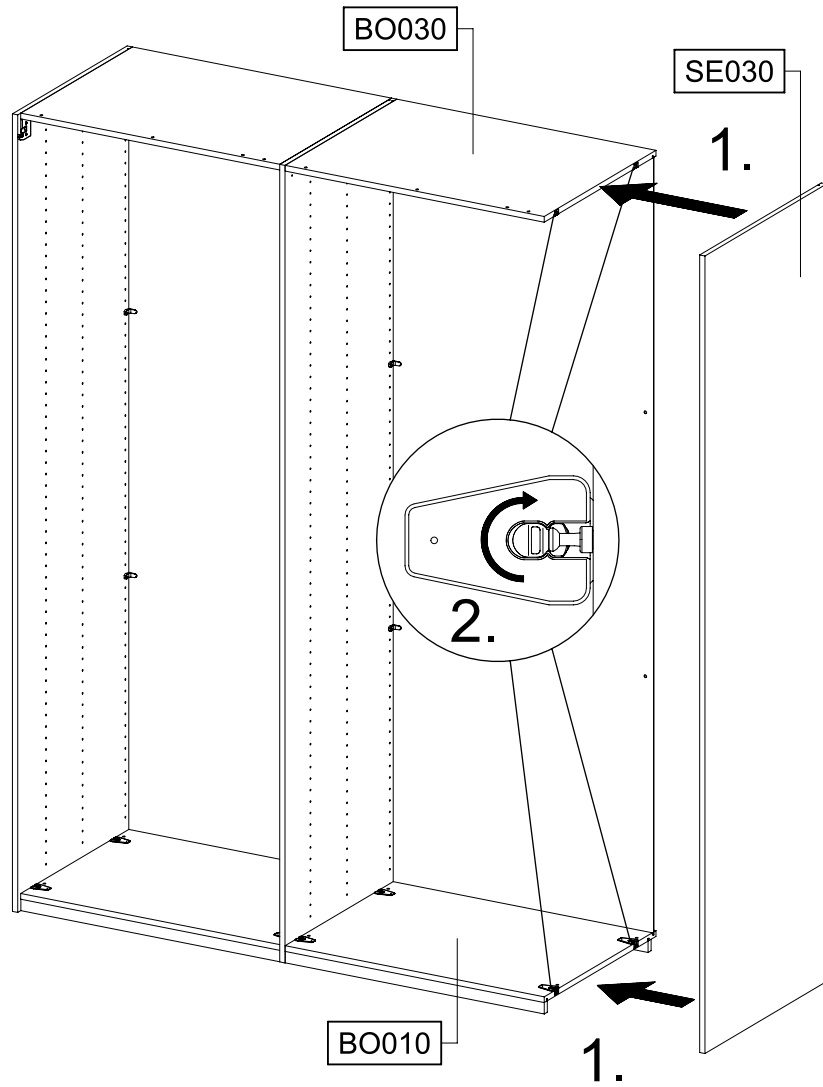
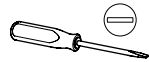
PZ2



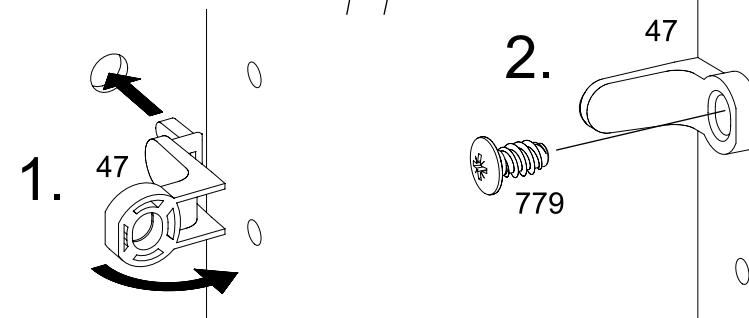
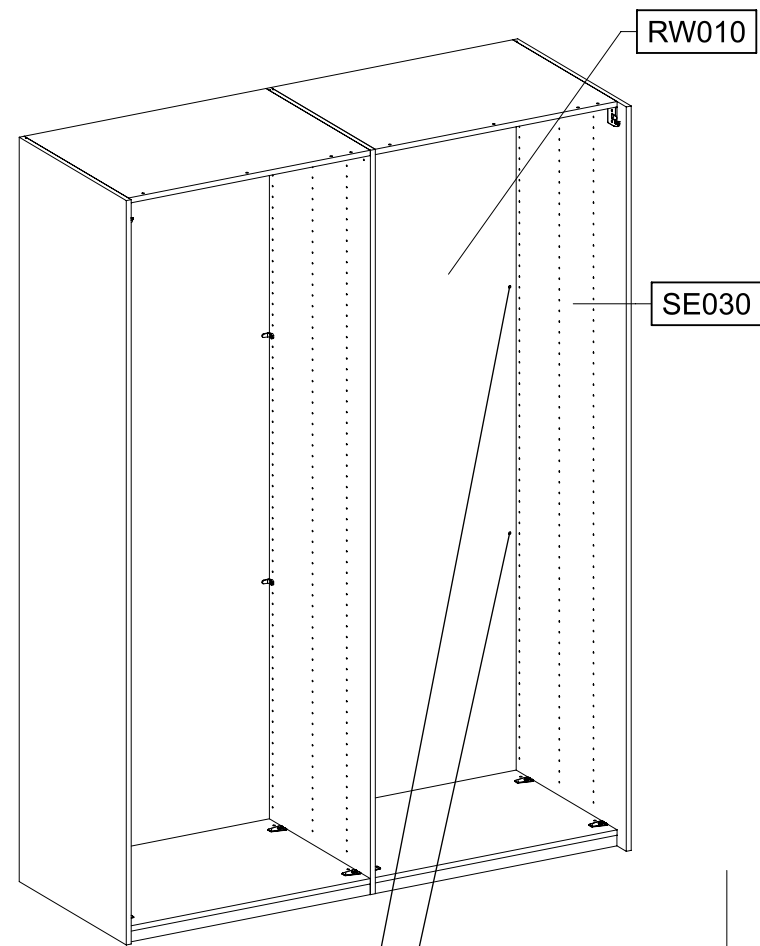
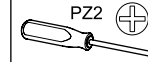
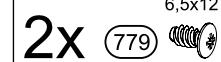
14



15

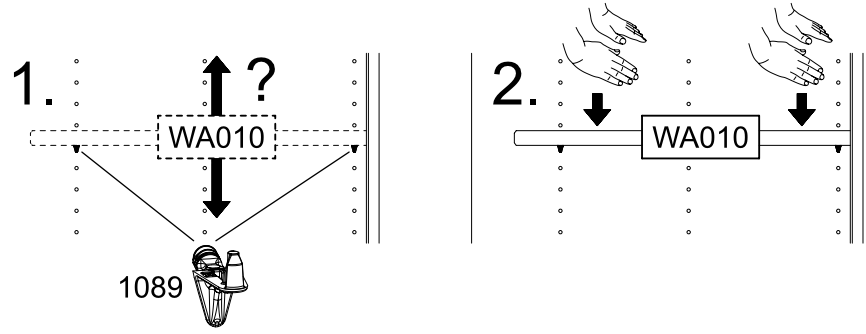
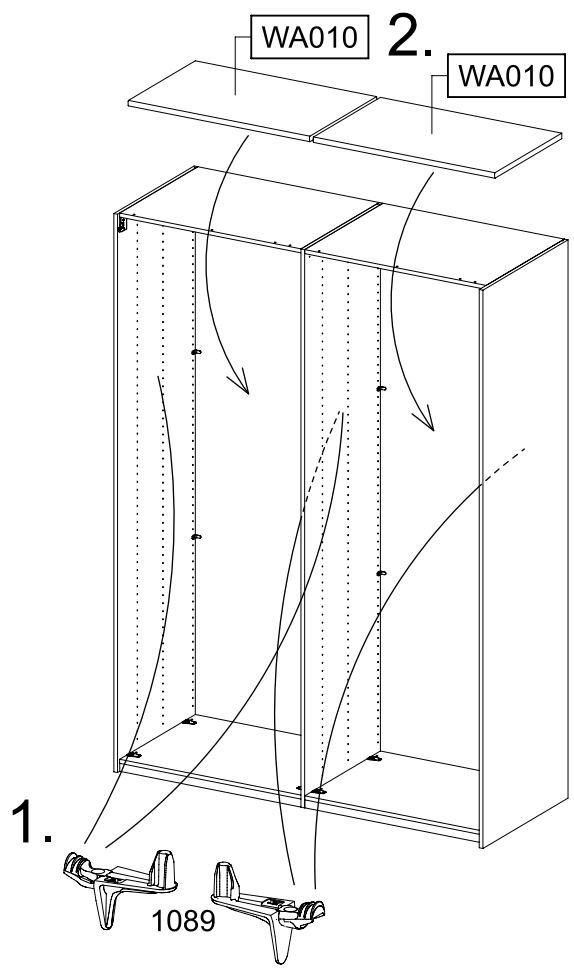


16



17

8x 1089

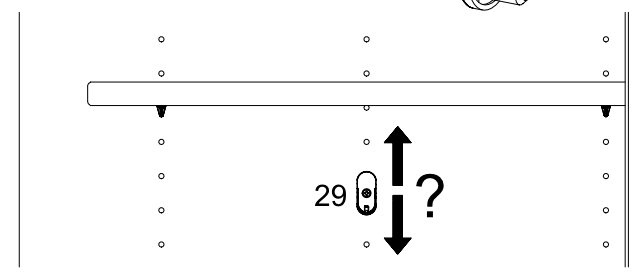
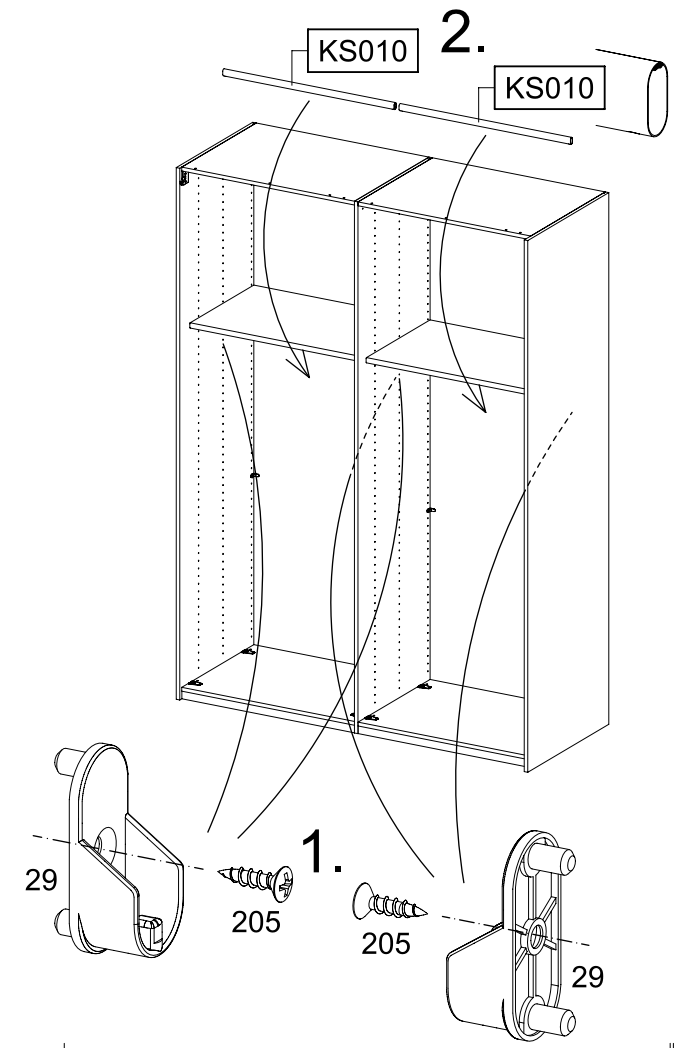
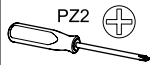


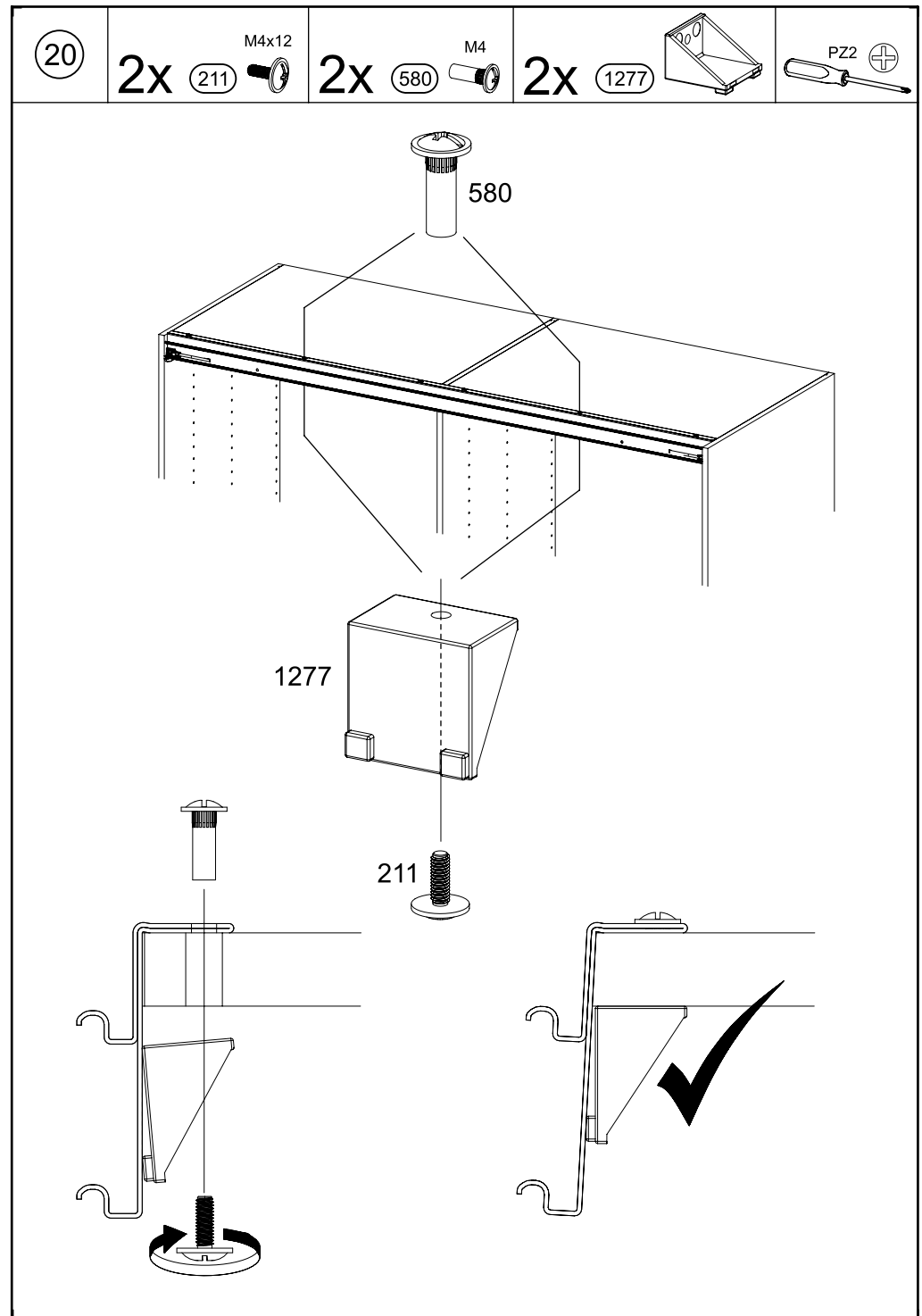
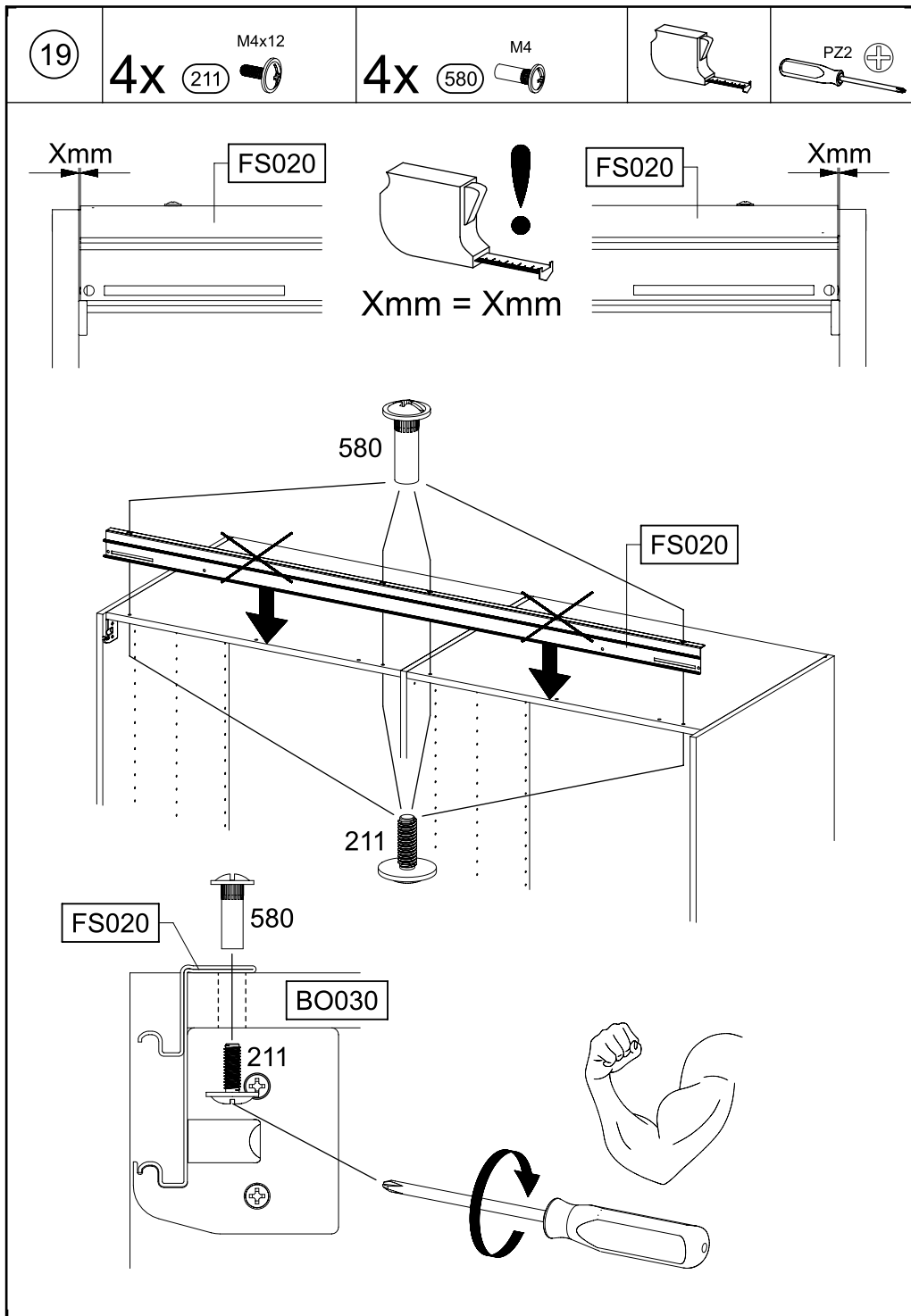
18

4x 29



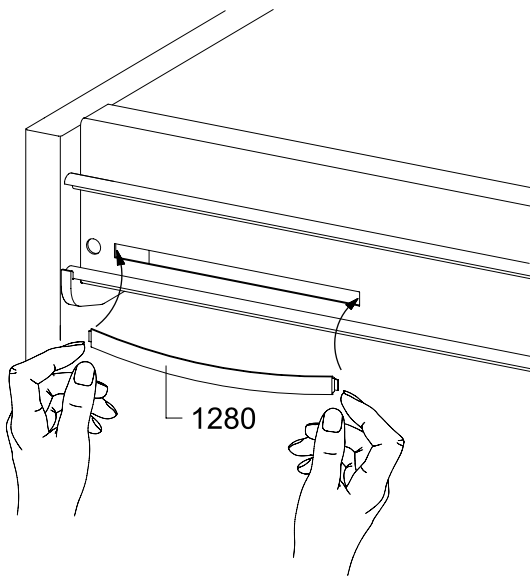
4x 205 3,5x15



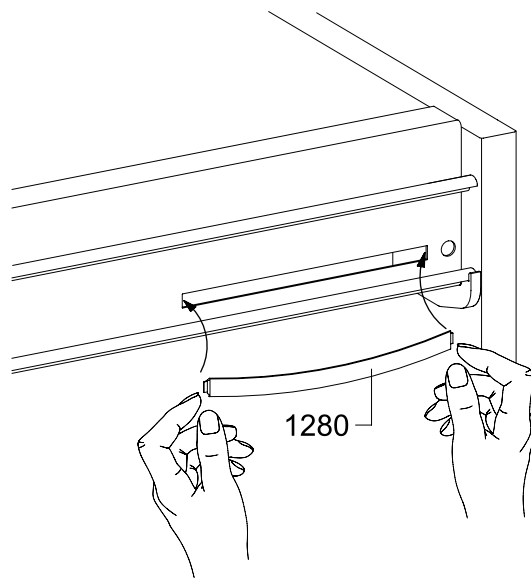


21

2x 1280



1280



1280

22

2x 1167



2x 1168



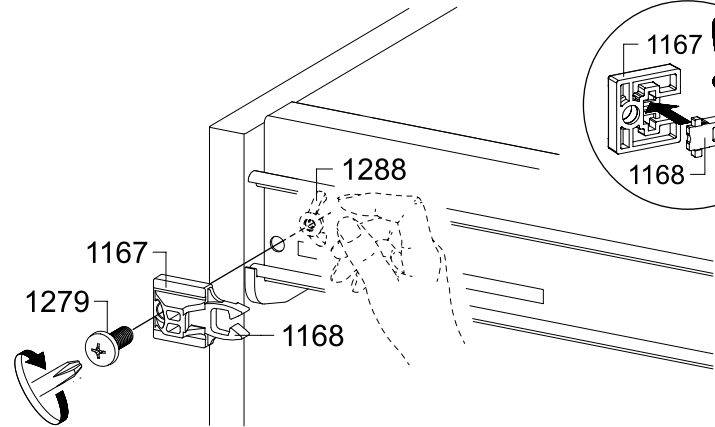
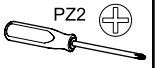
2x 1279

M5x12



2x 1288

M5

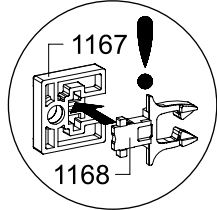


1279

1167

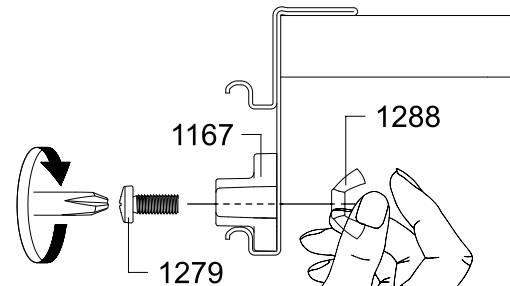
1288

1168



1167

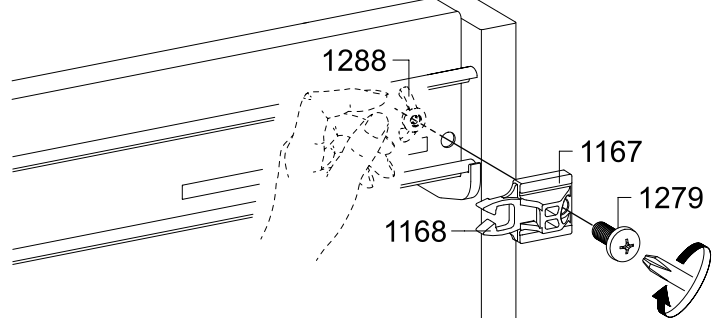
1168



1167

1288

1279



1288

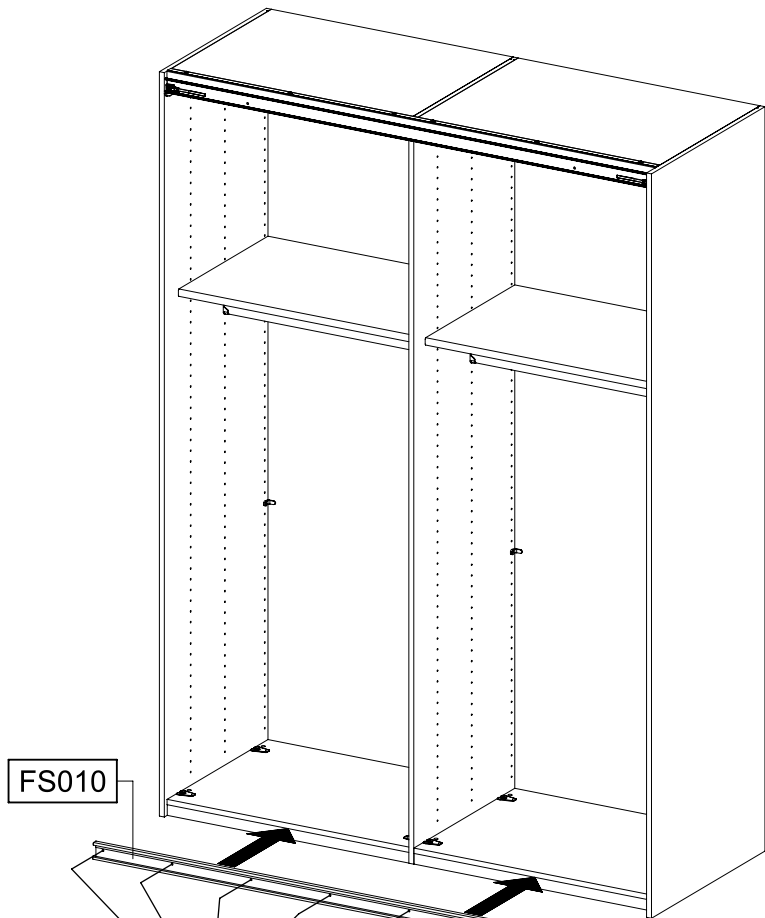
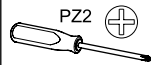
1168

1167

1279

23

7-8x (205) 3,5x15



FS010

205

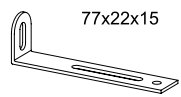
BO030

FS010

205

24

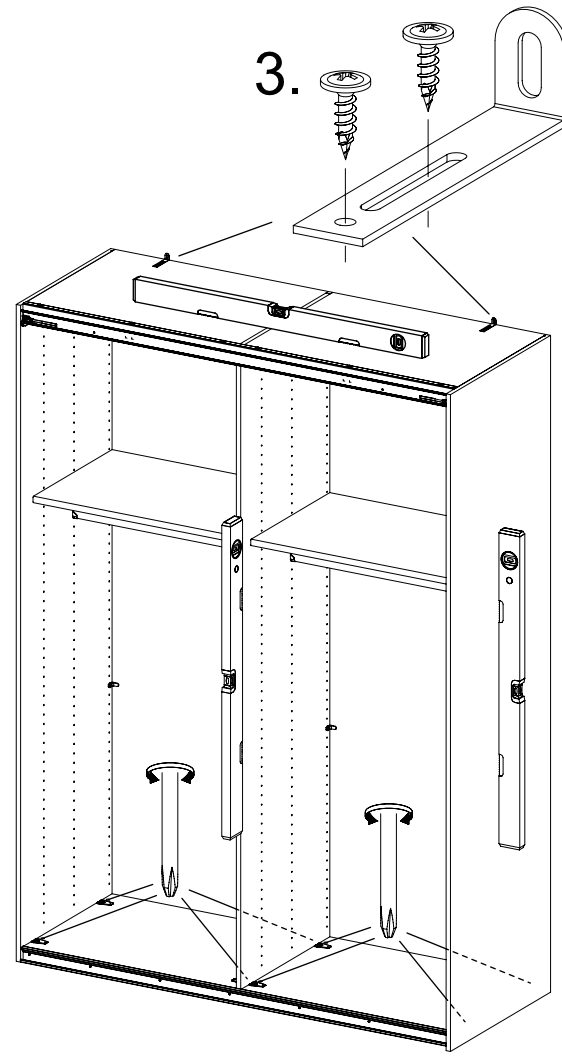
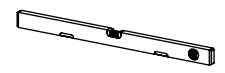
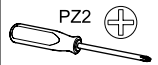
2x (68)



4x (201) 4x15



8x (405) Ø8



3.

1.

BO010

974


405

2.

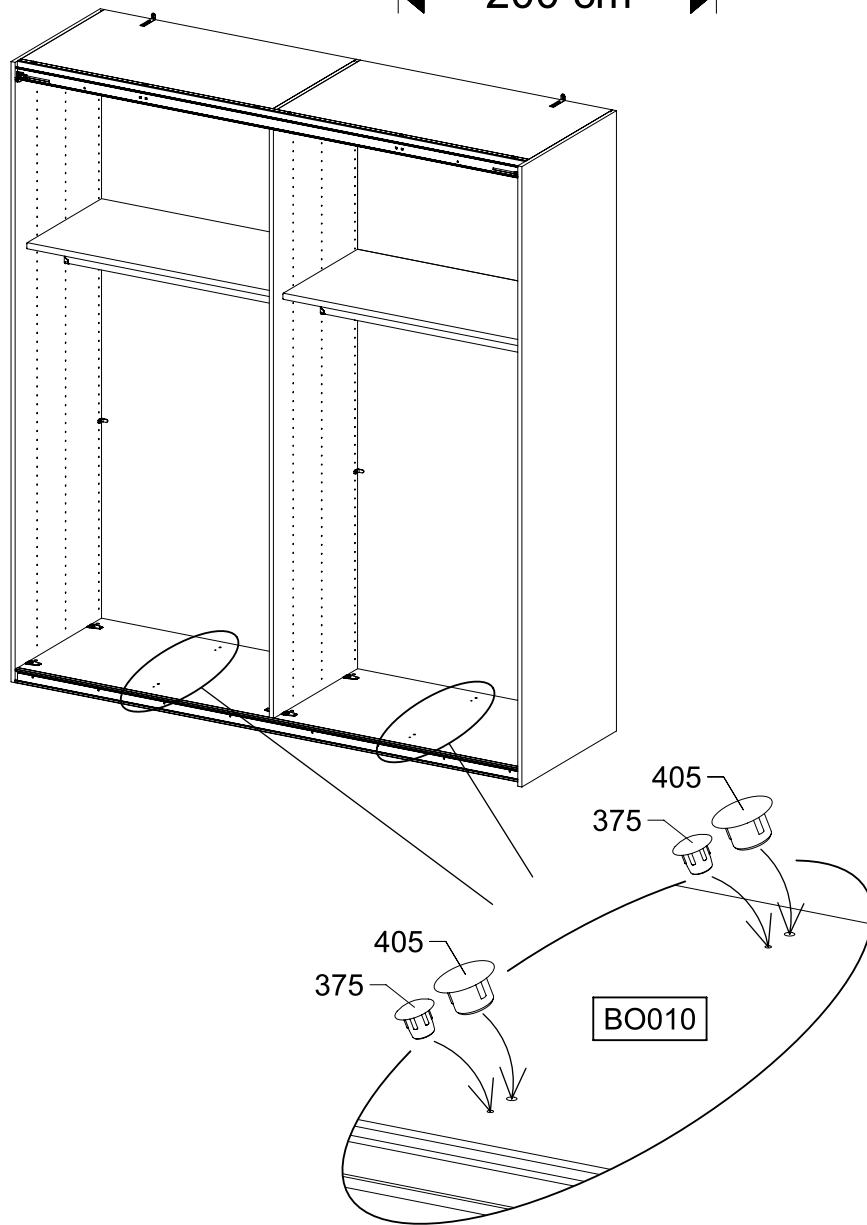
BO010

974

25

4x 405  Ø84x 375  Ø5

← 200 cm →



26

8x 45 PZ2 