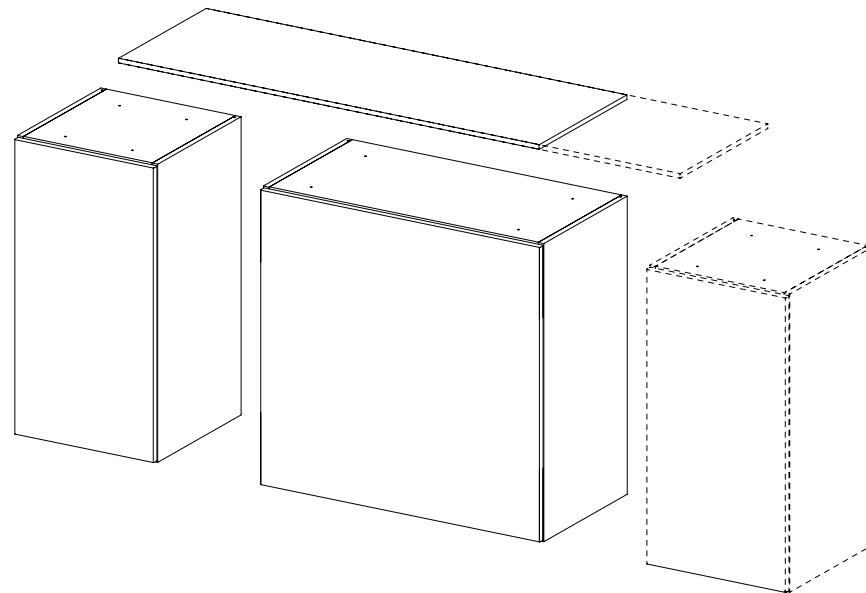
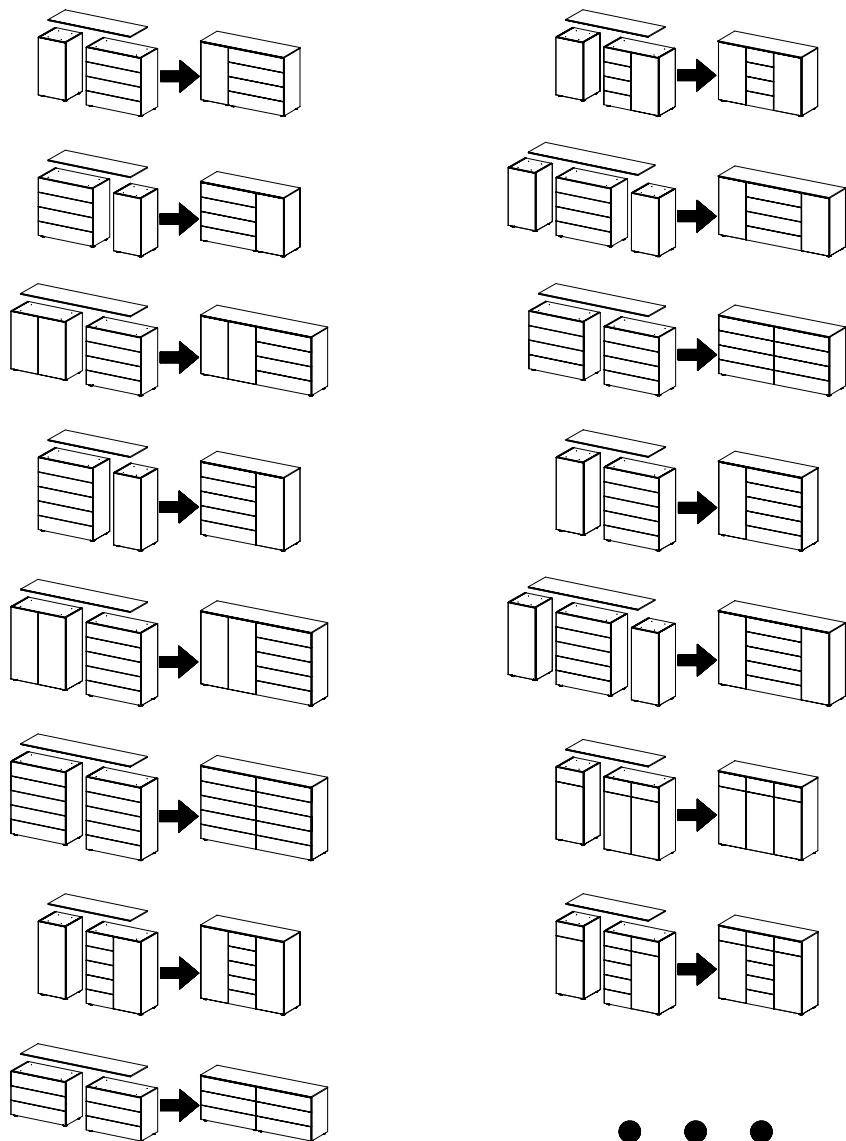
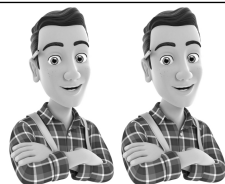
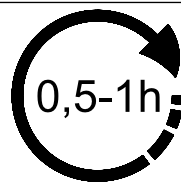
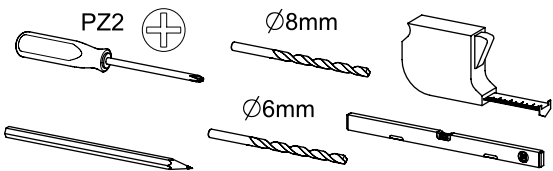
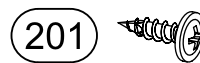


MD261_02



16/24x

4x15



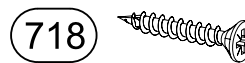
8/12x

4x25



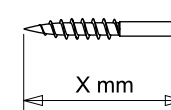
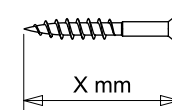
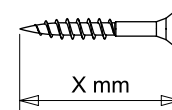
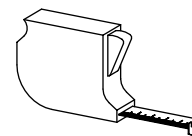
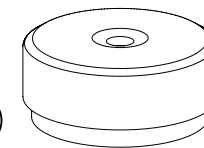
4/8x

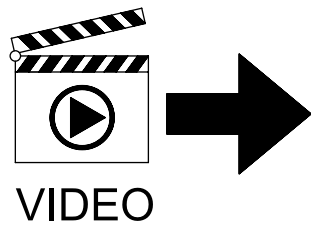
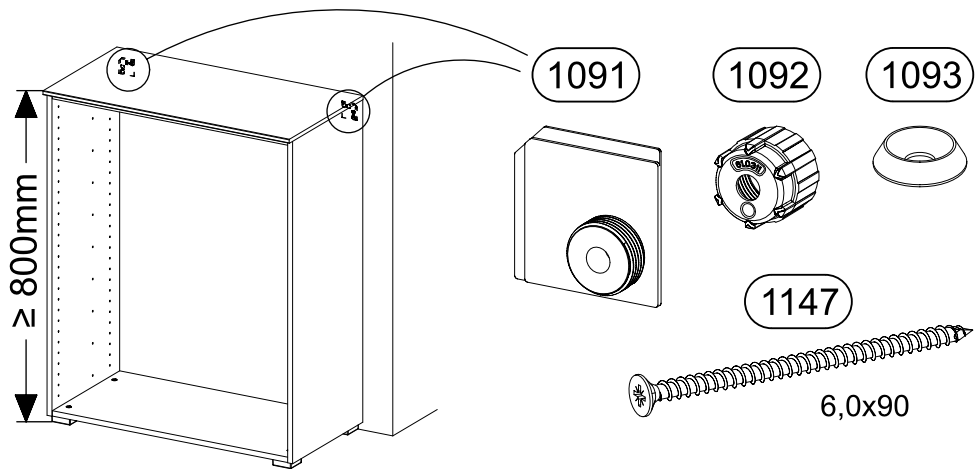
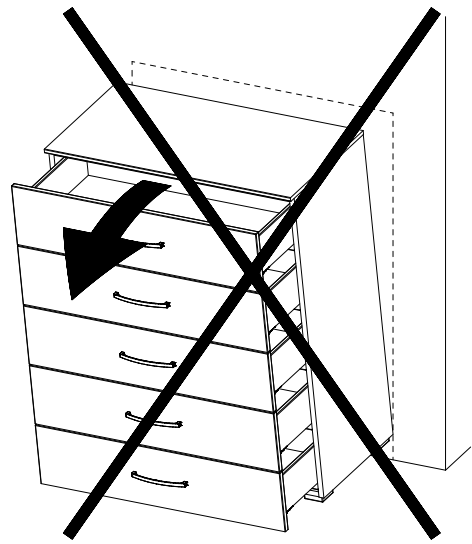
4x27



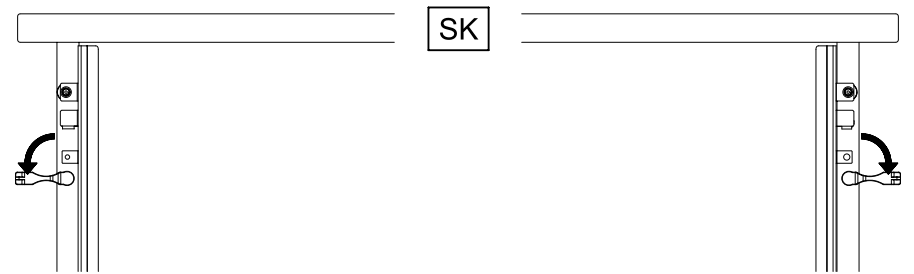
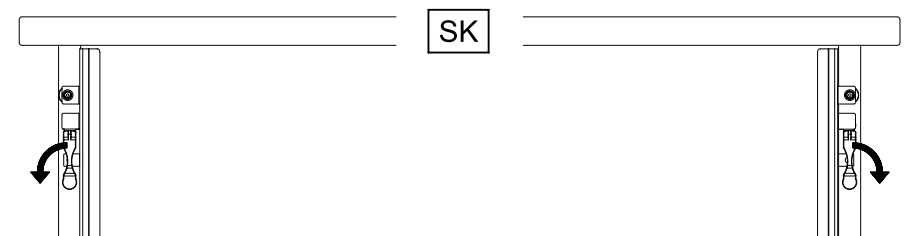
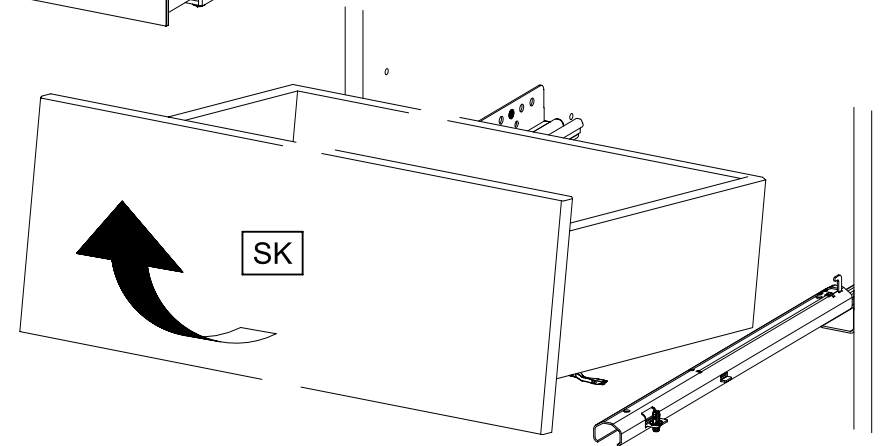
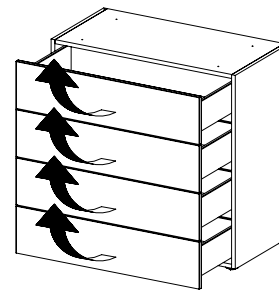
8/12x

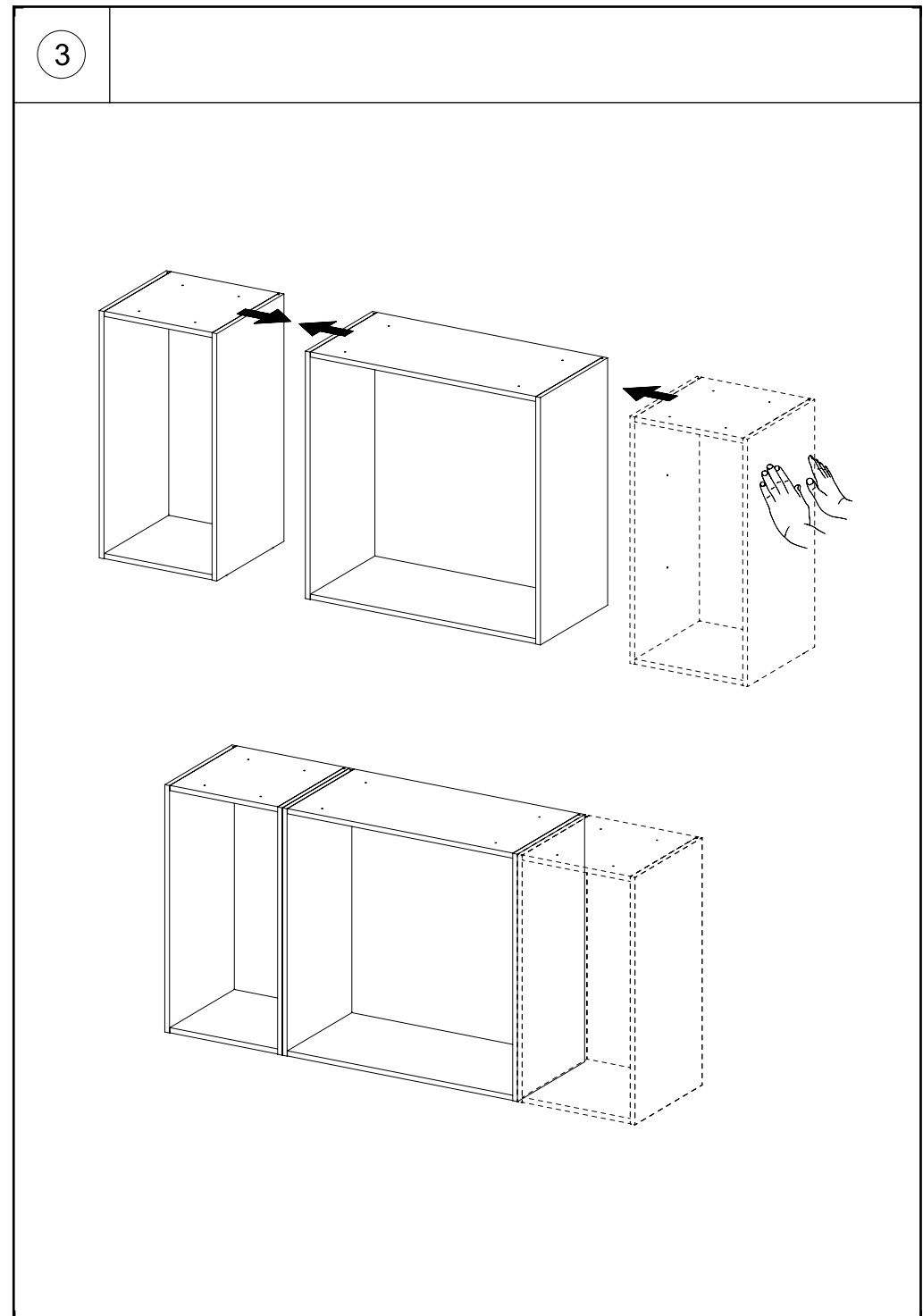
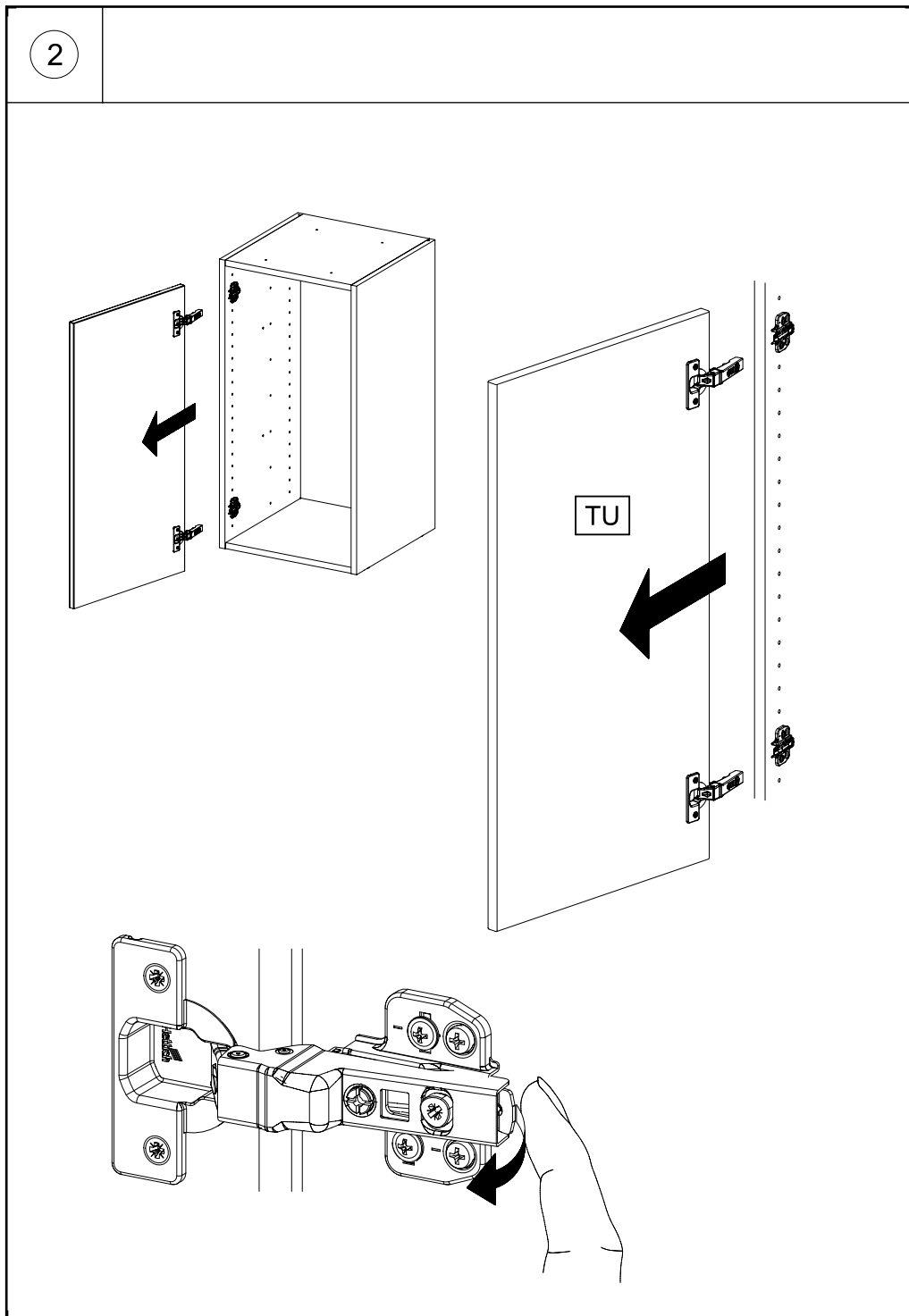
1483





1





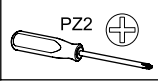
4

4/8x

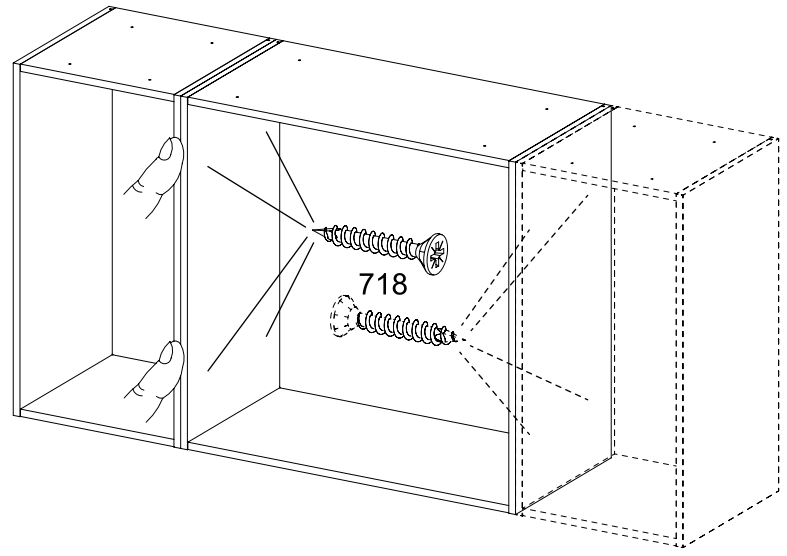
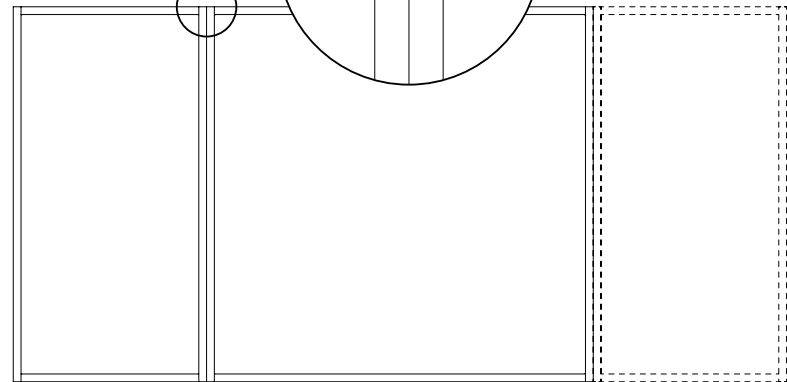
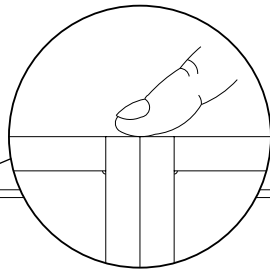
718



4x27



PZ2



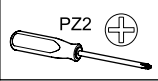
5

8/12x

240



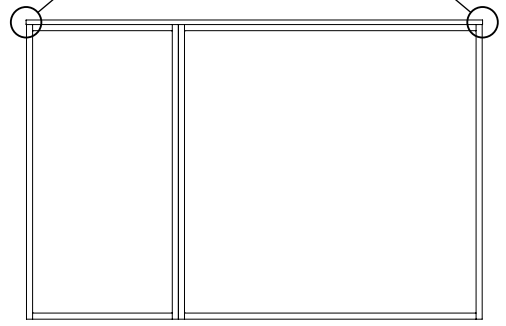
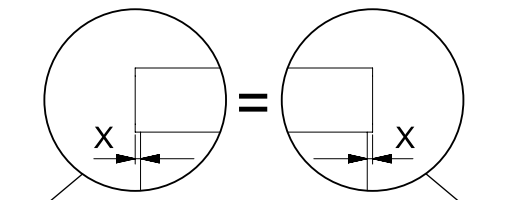
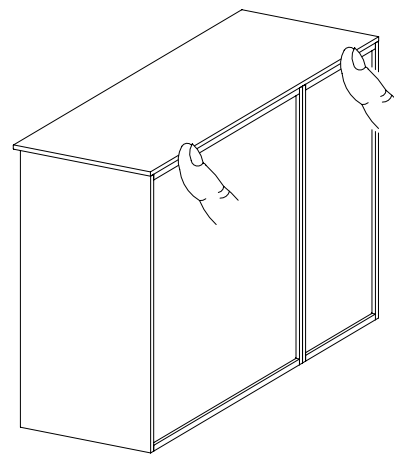
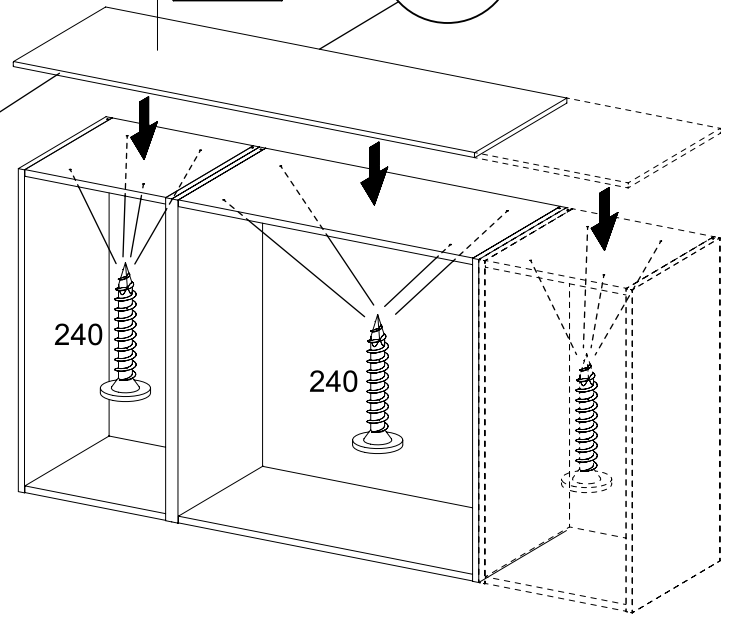
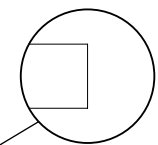
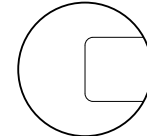
4x25

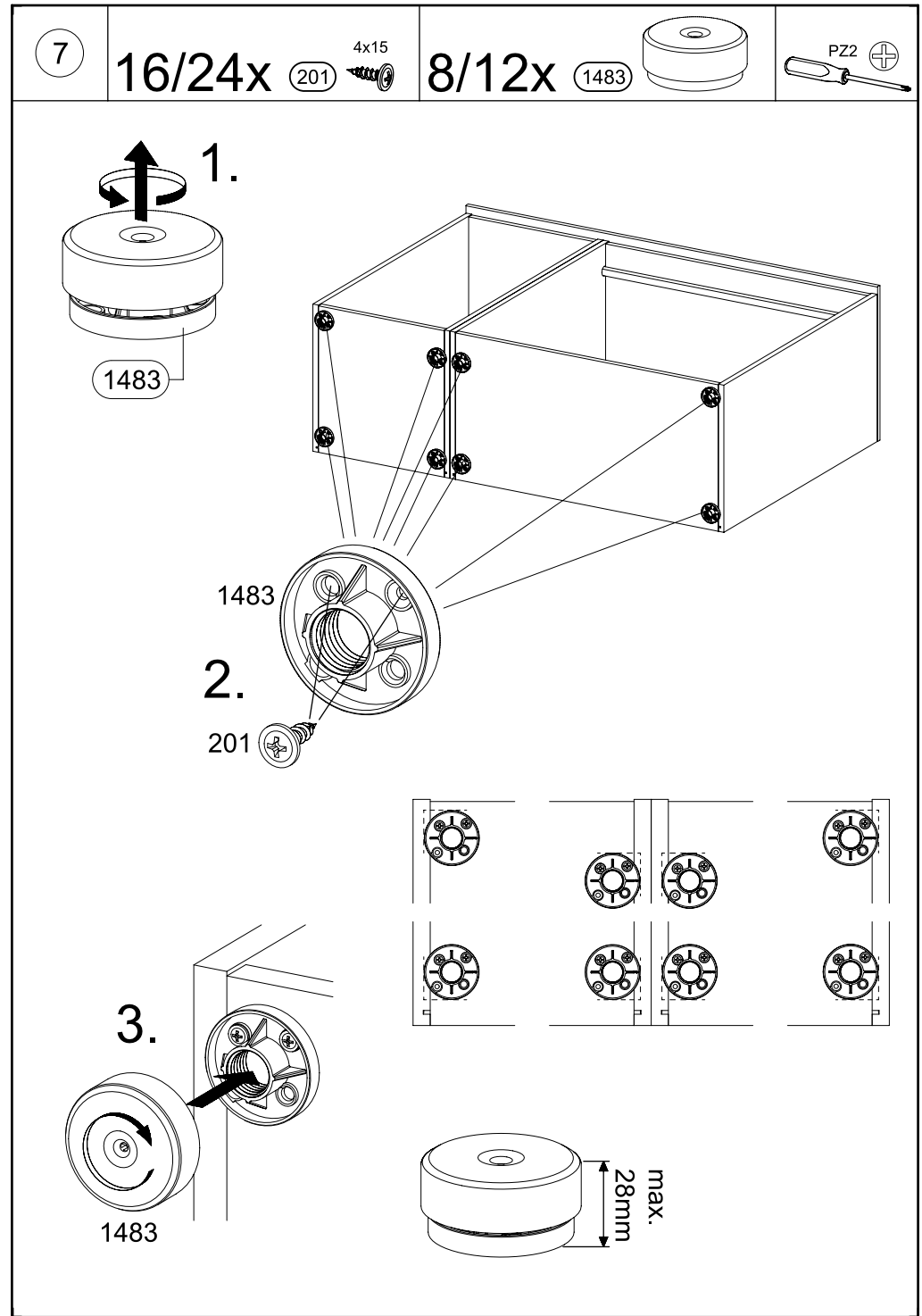
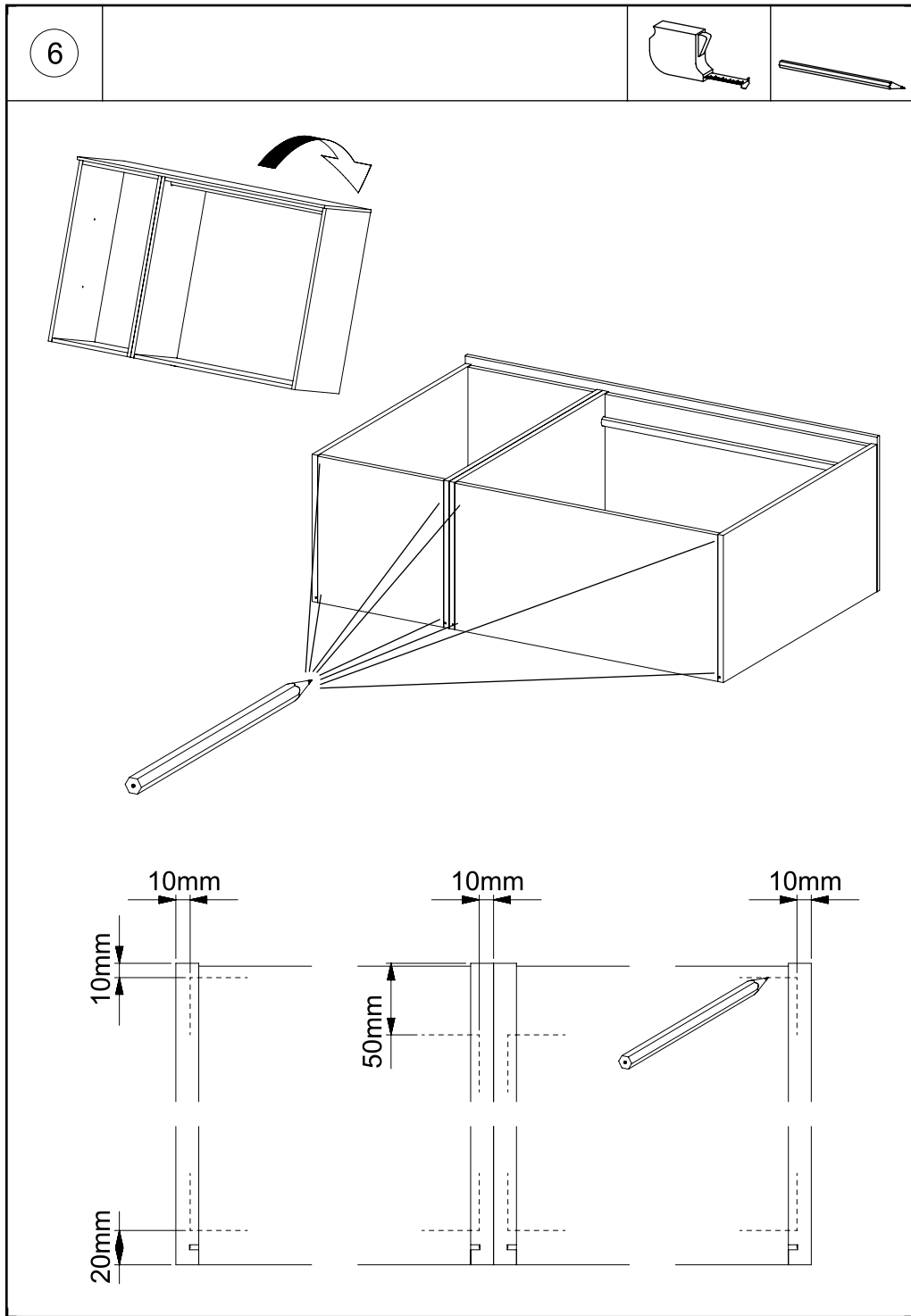


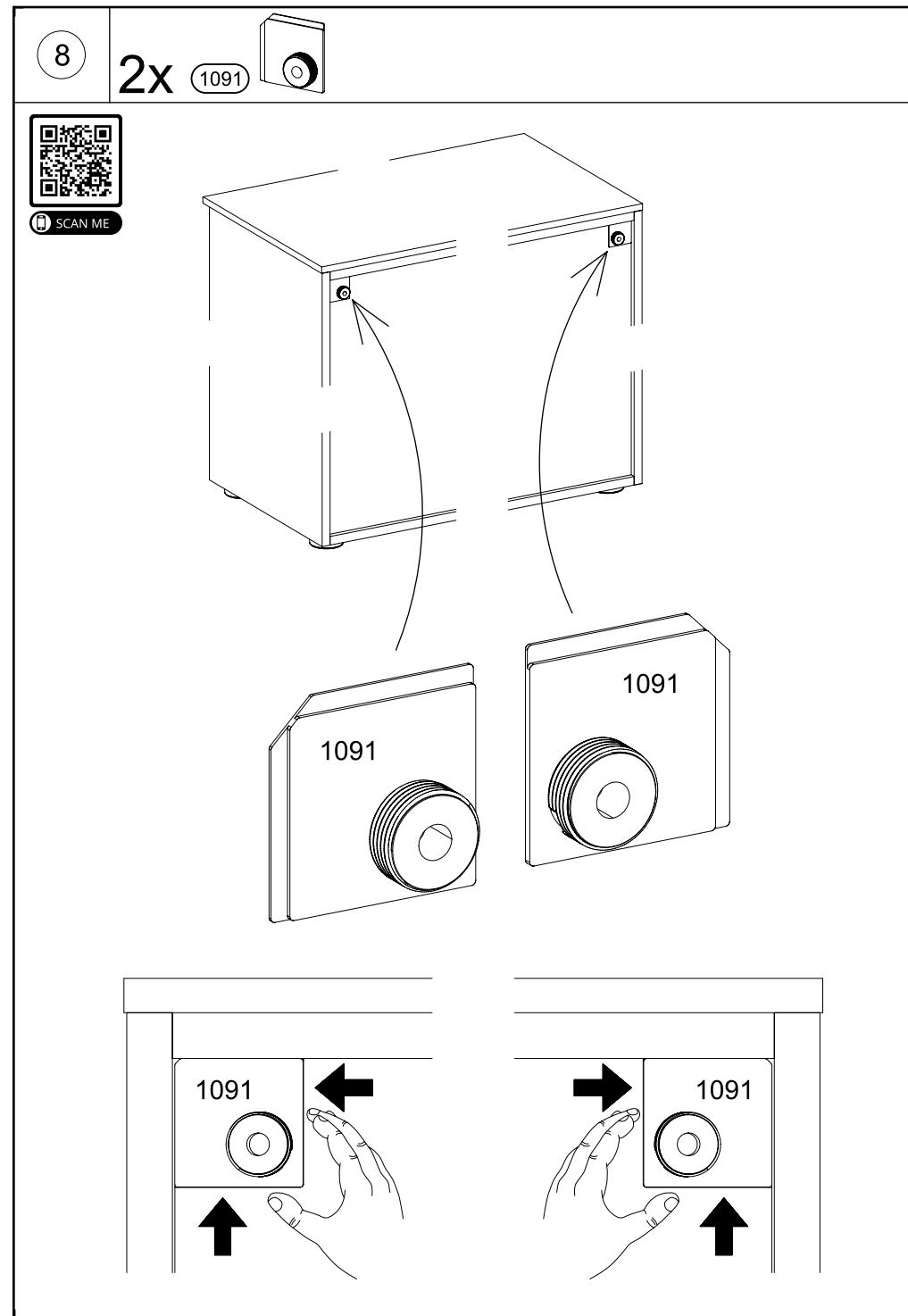
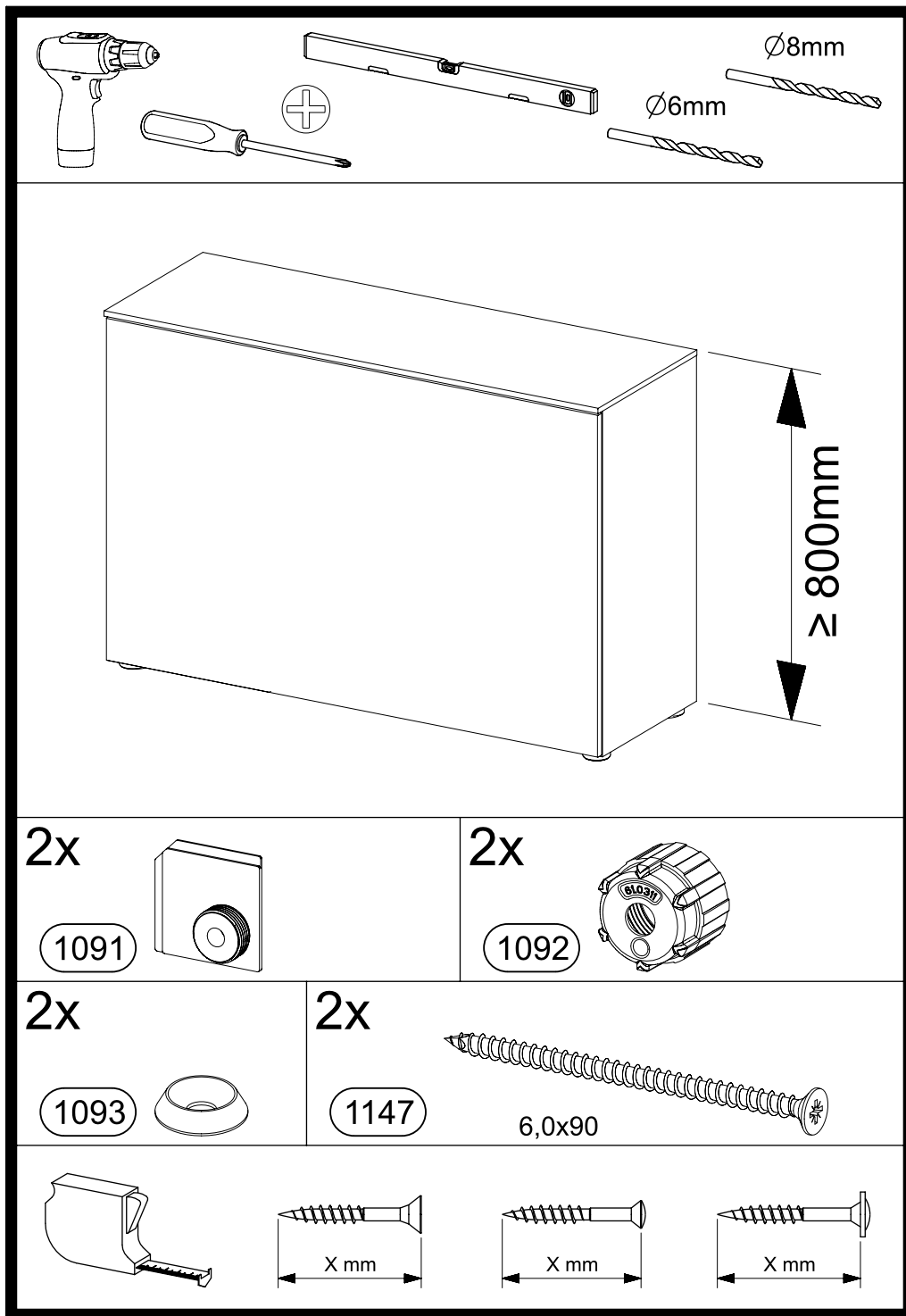
PZ2

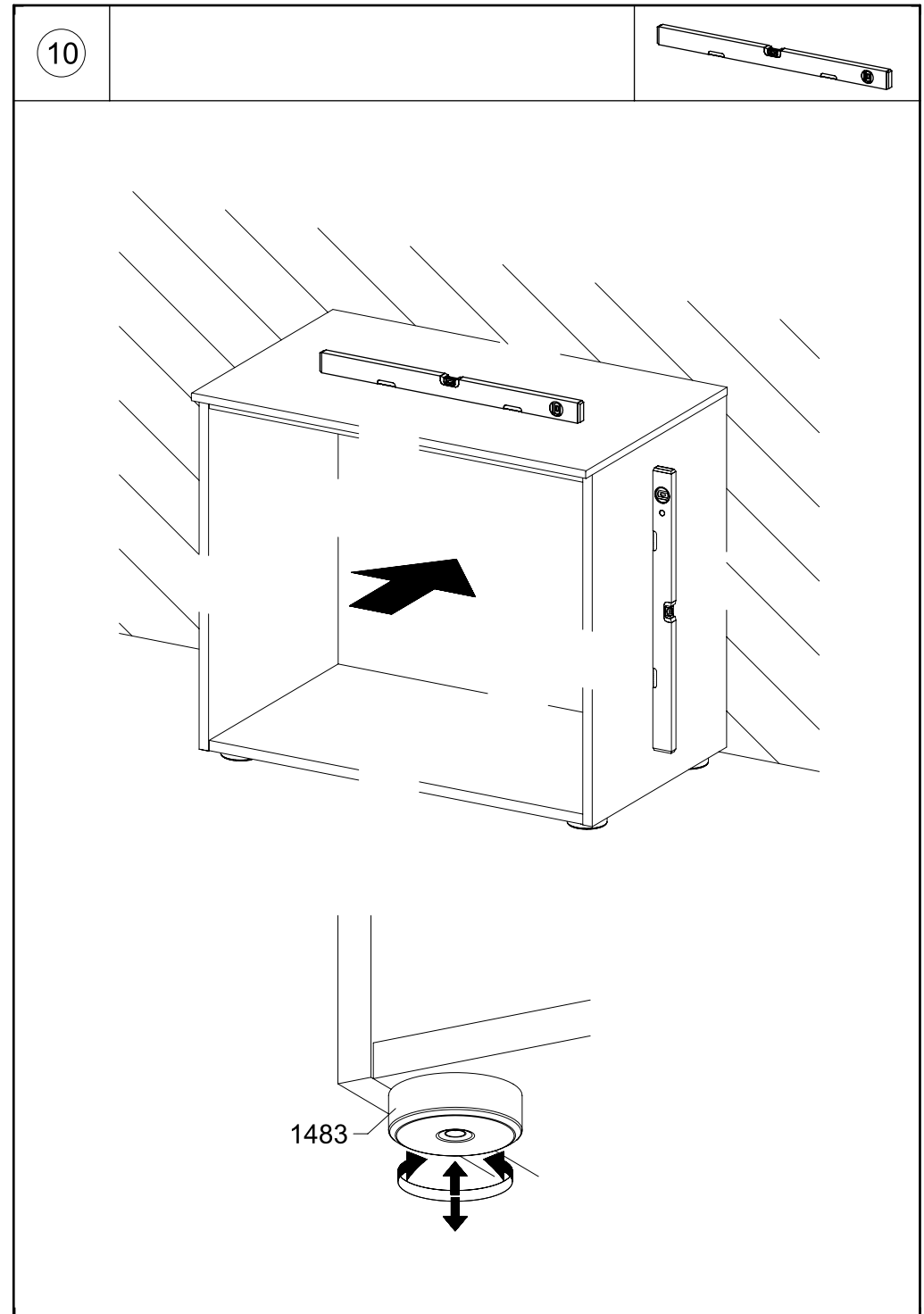
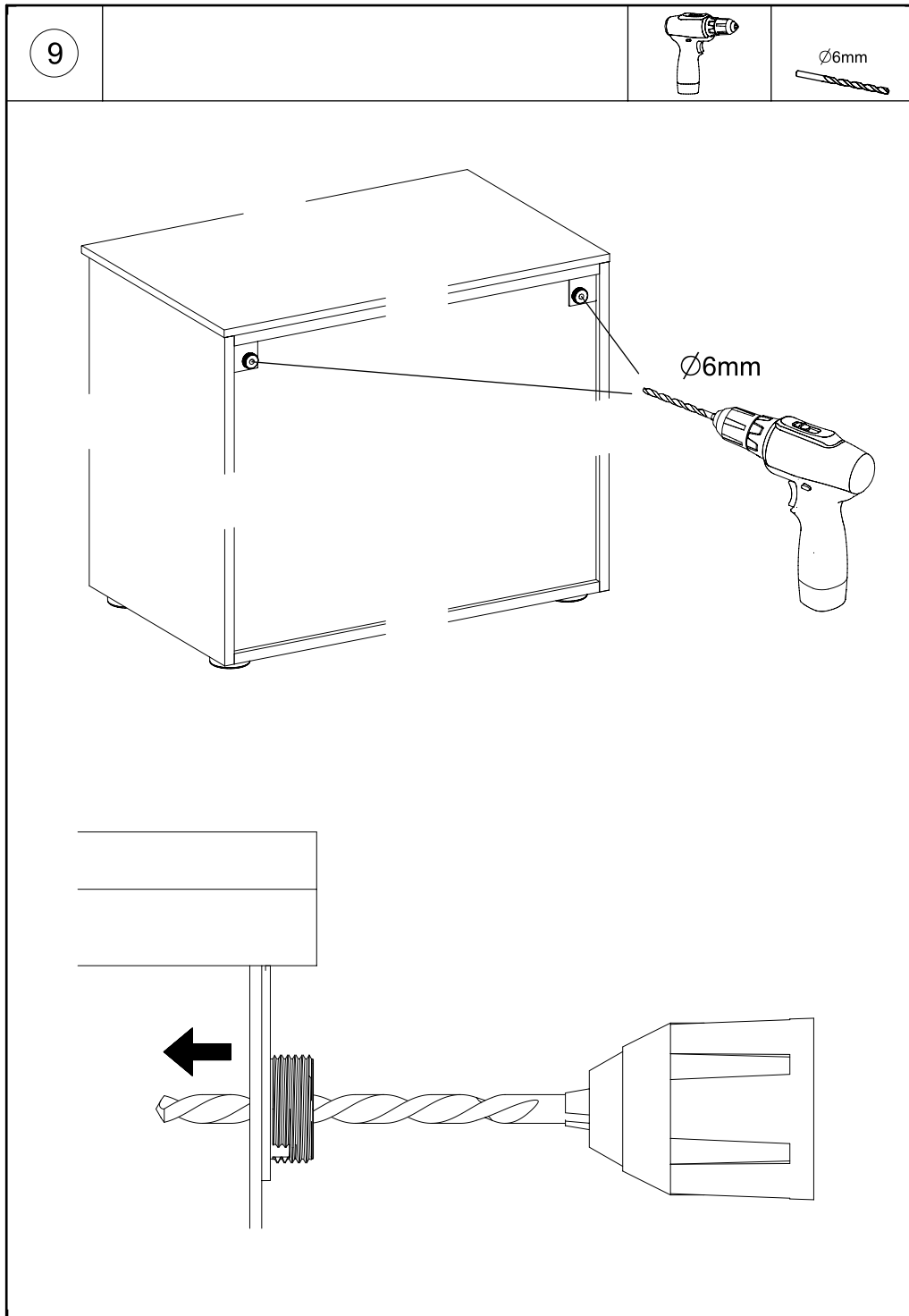


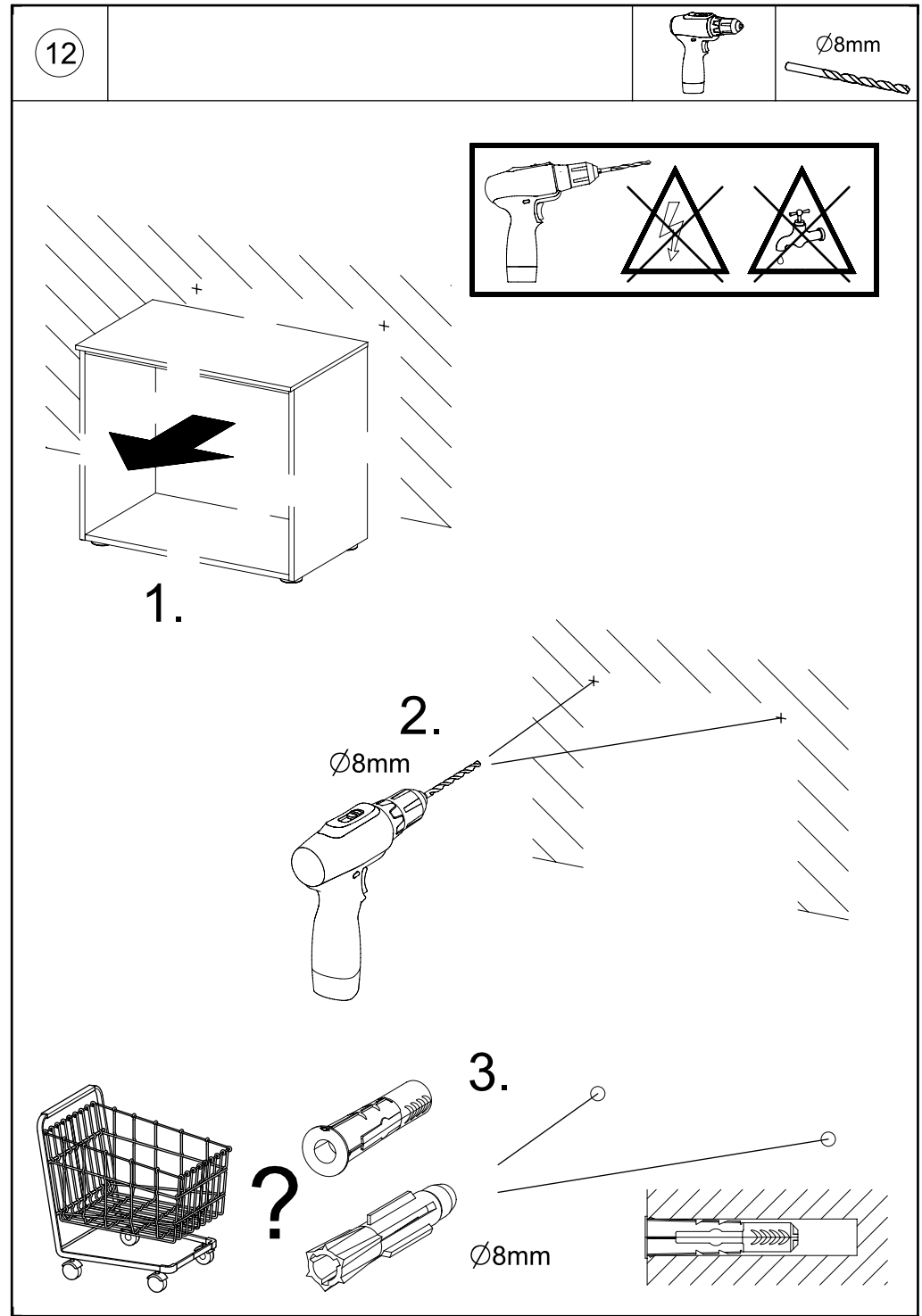
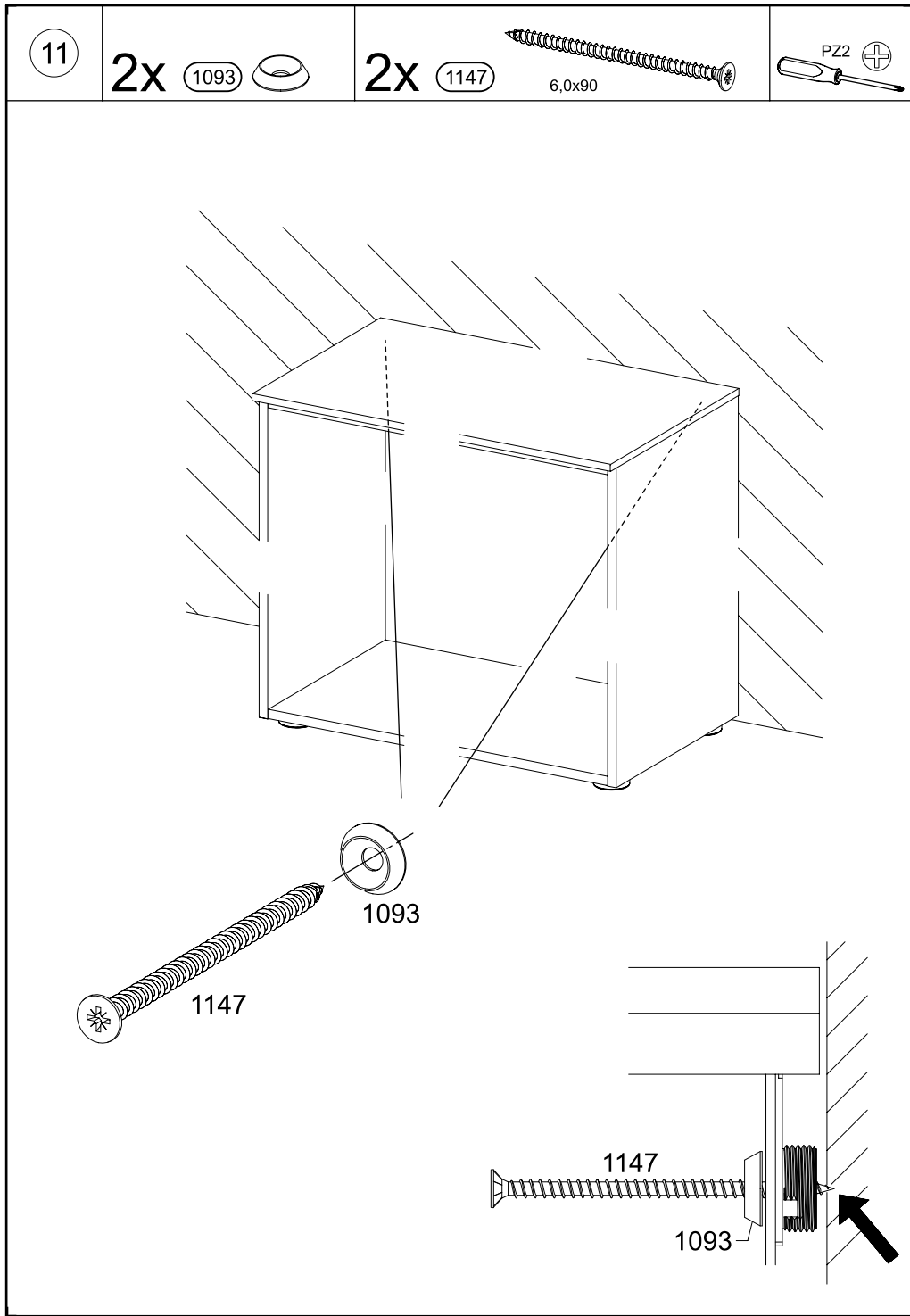
BT010











13

2x

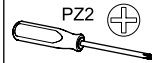
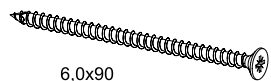
1093



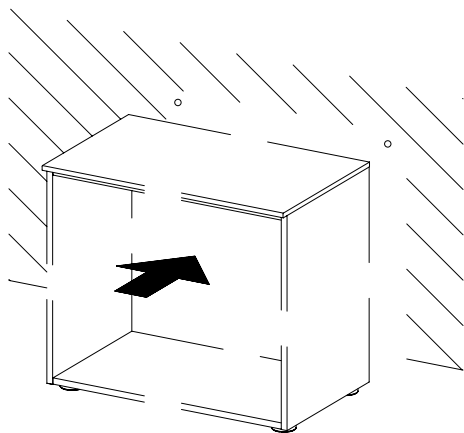
2x

1147

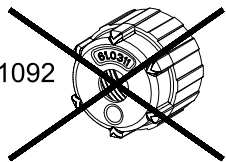
6,0x90



1.



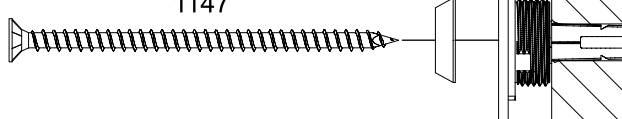
1092



2.

1147

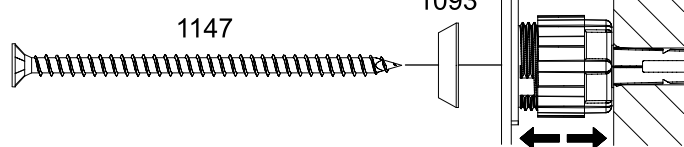
1093



2.

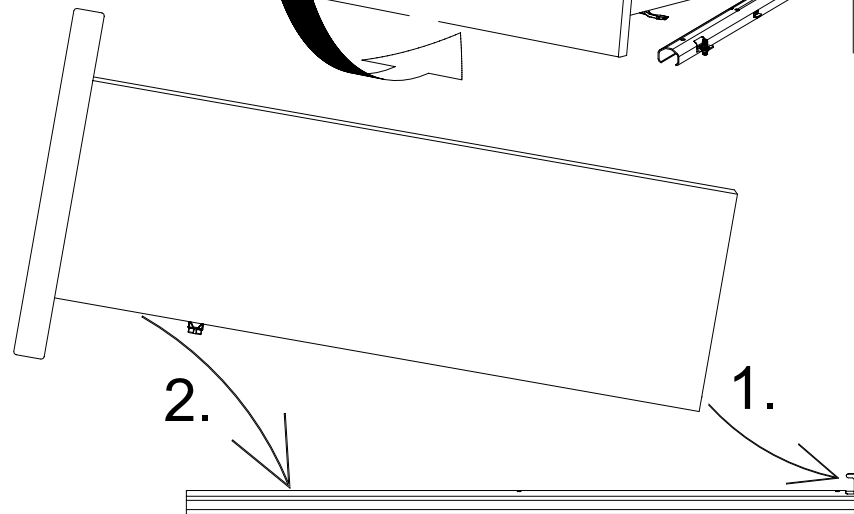
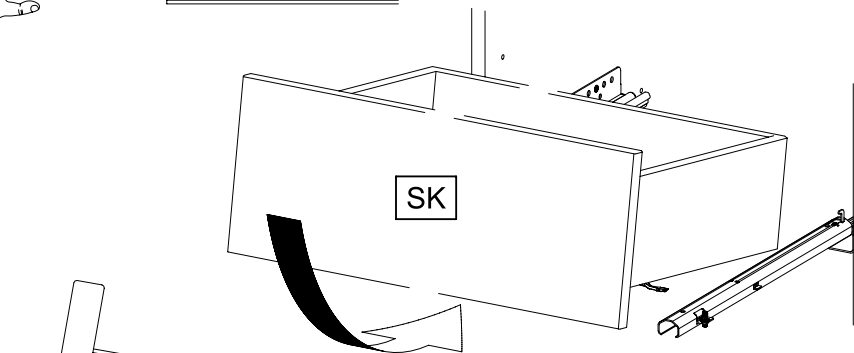
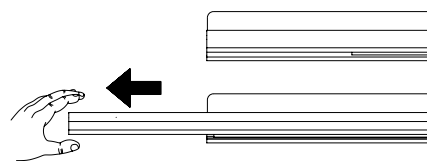
1147

1093



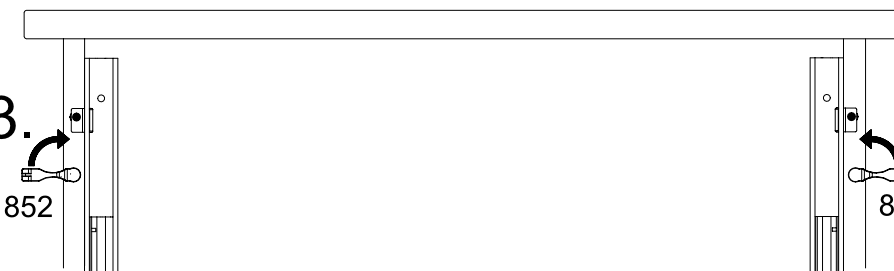
10-15mm

14



3.

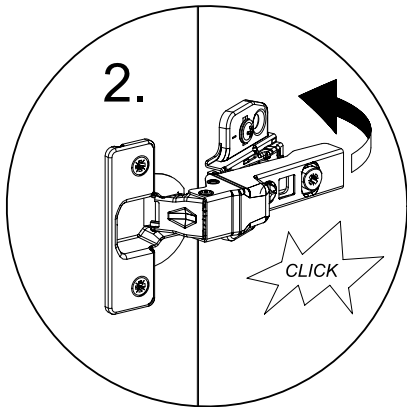
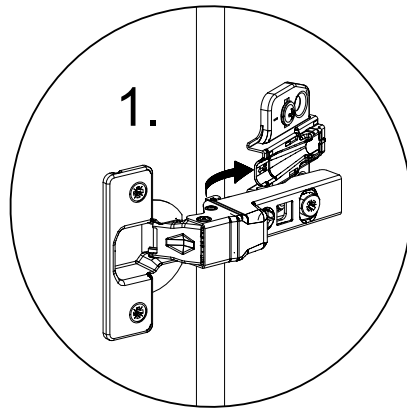
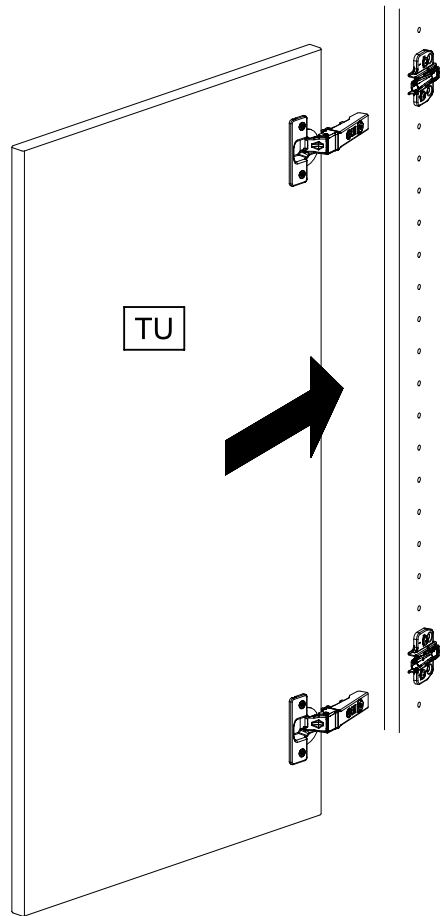
852



3.

852

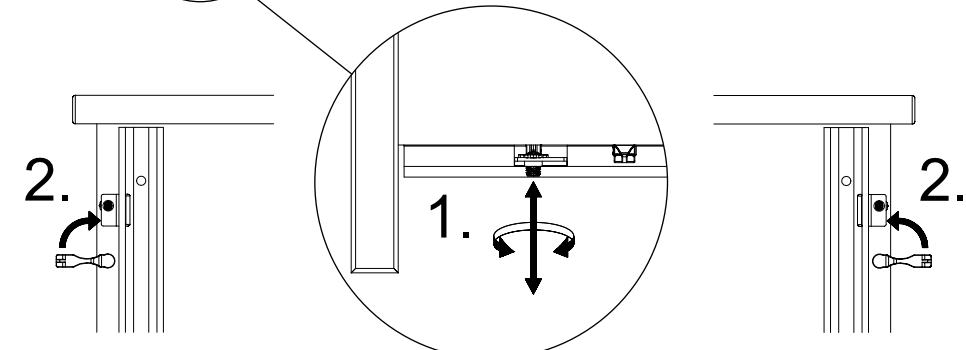
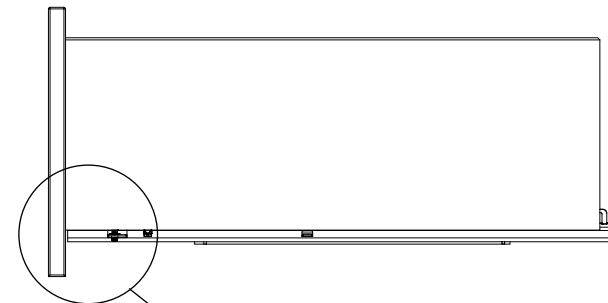
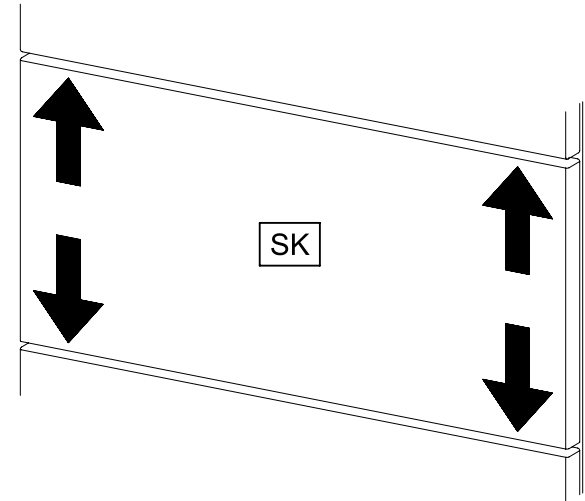
15



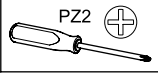
16



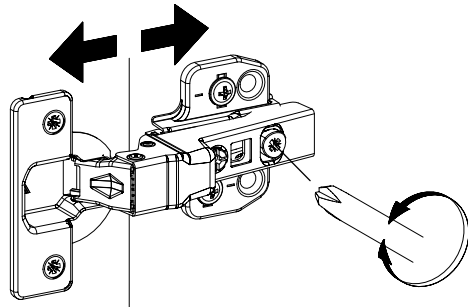
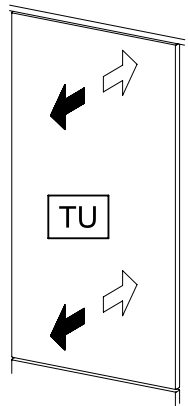
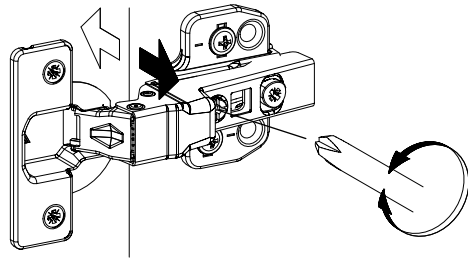
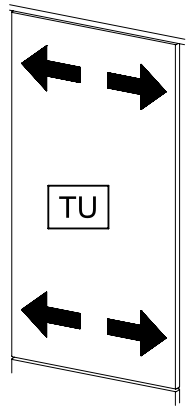
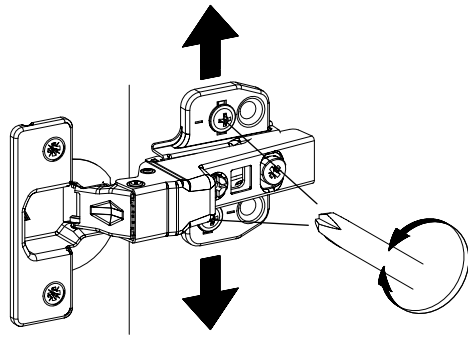
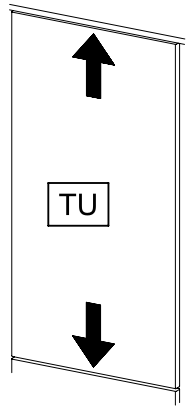
SCAN ME



17



SCAN ME



max.
20kg

