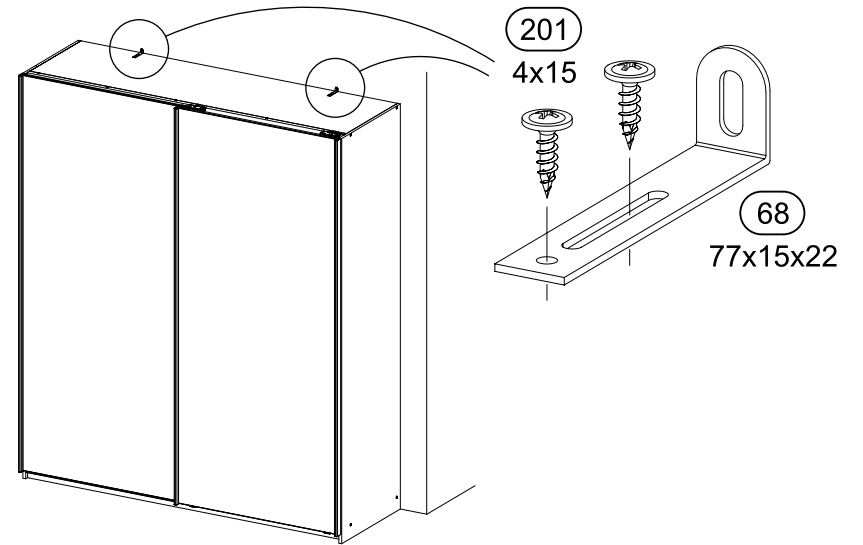
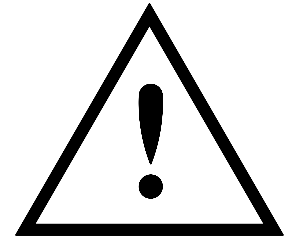
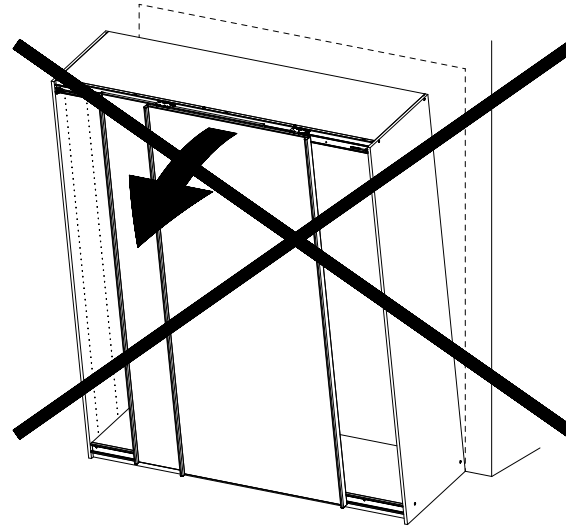
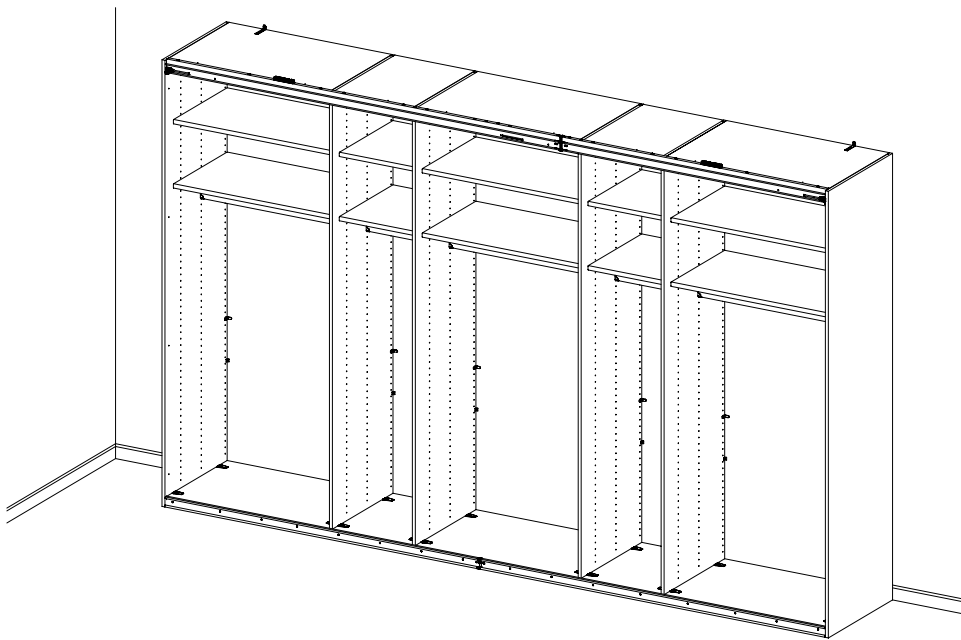
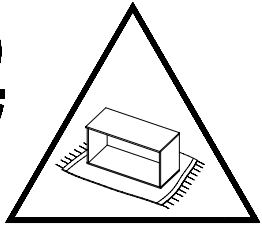
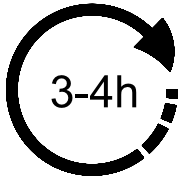
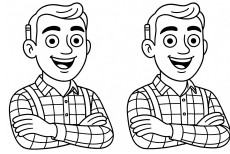
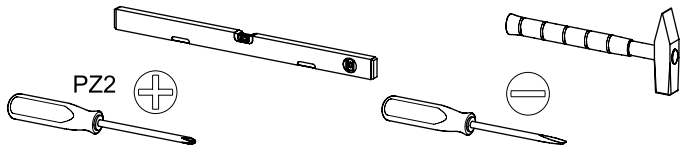


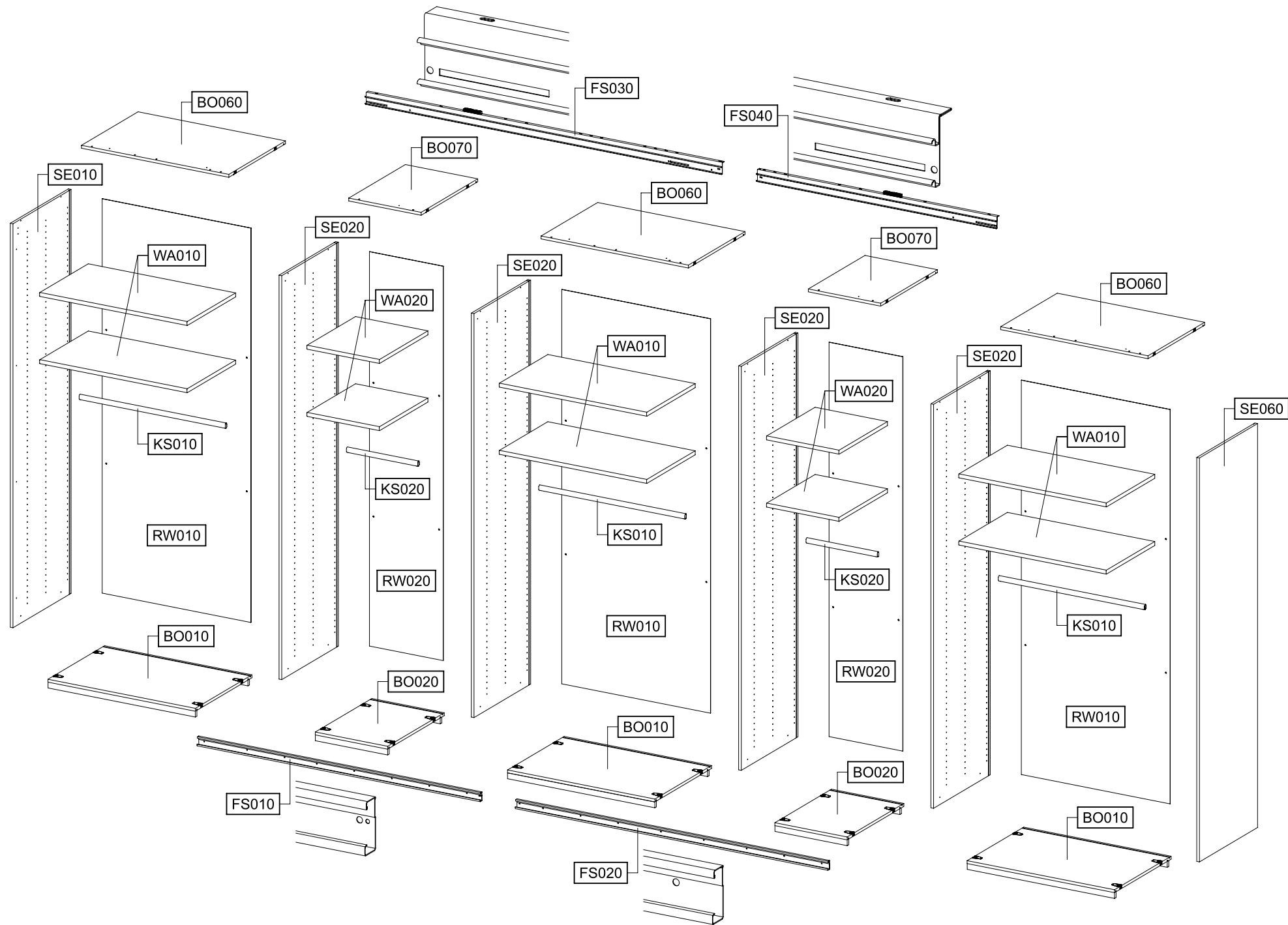
# MD146\_08



VIDEO

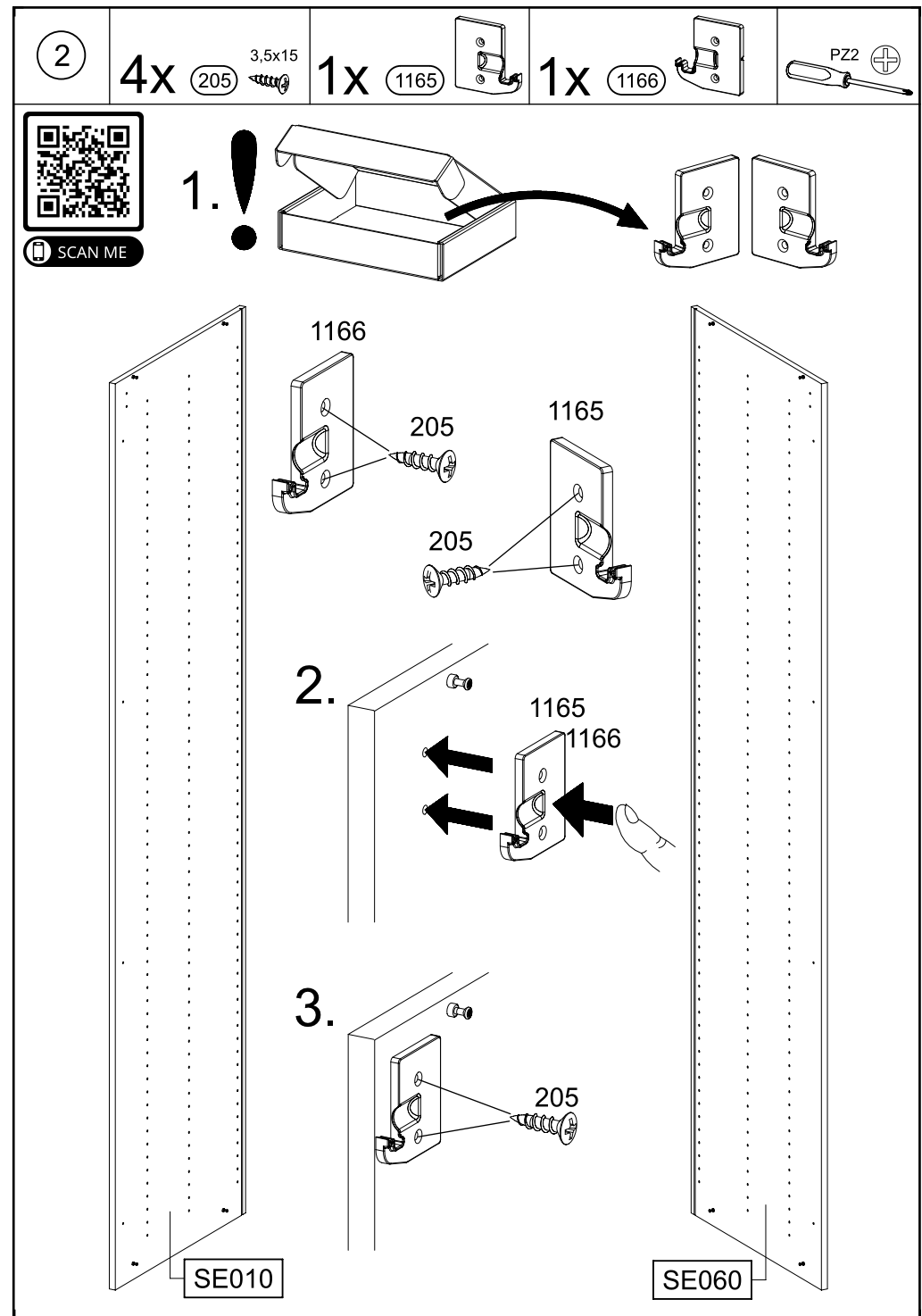
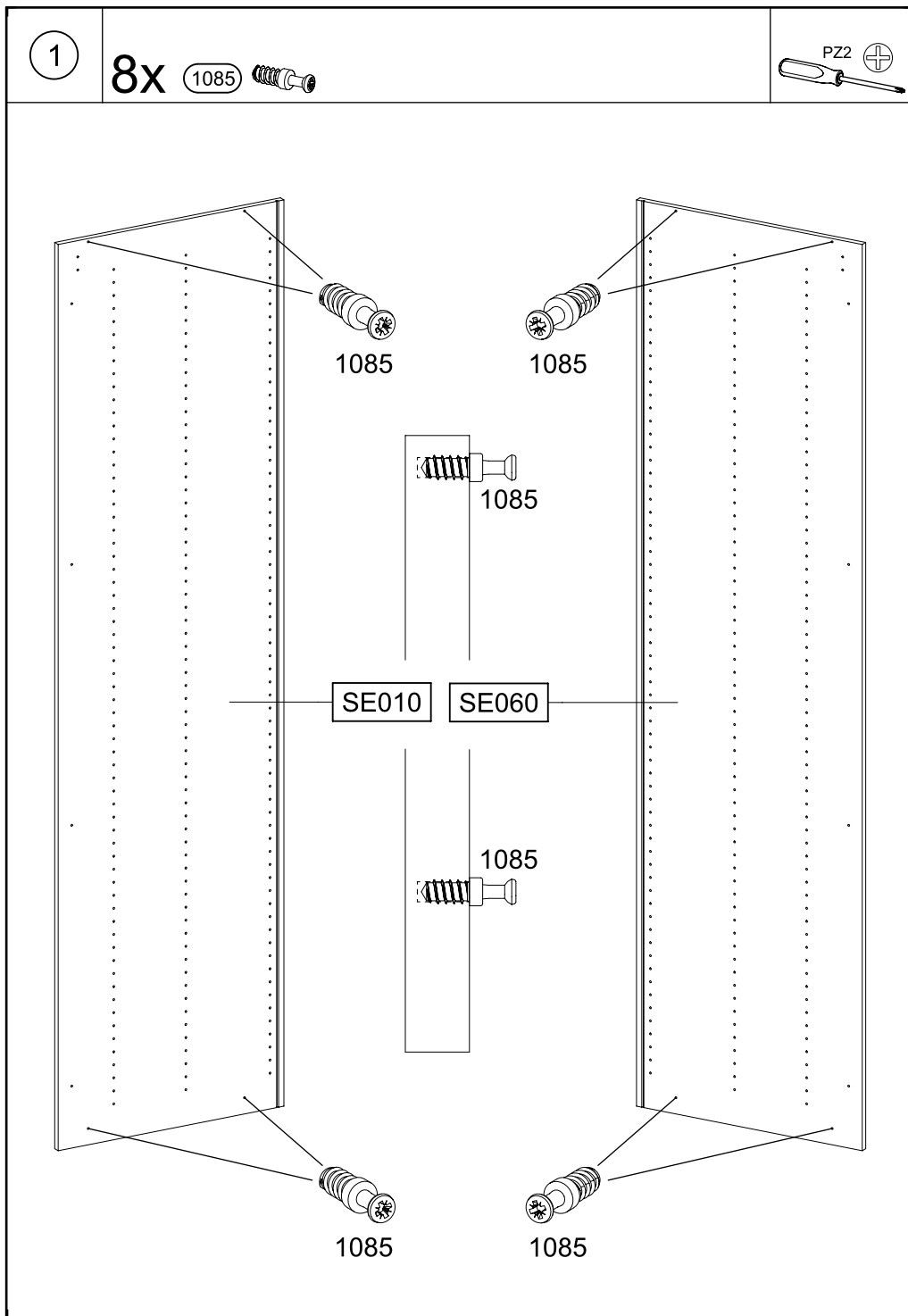


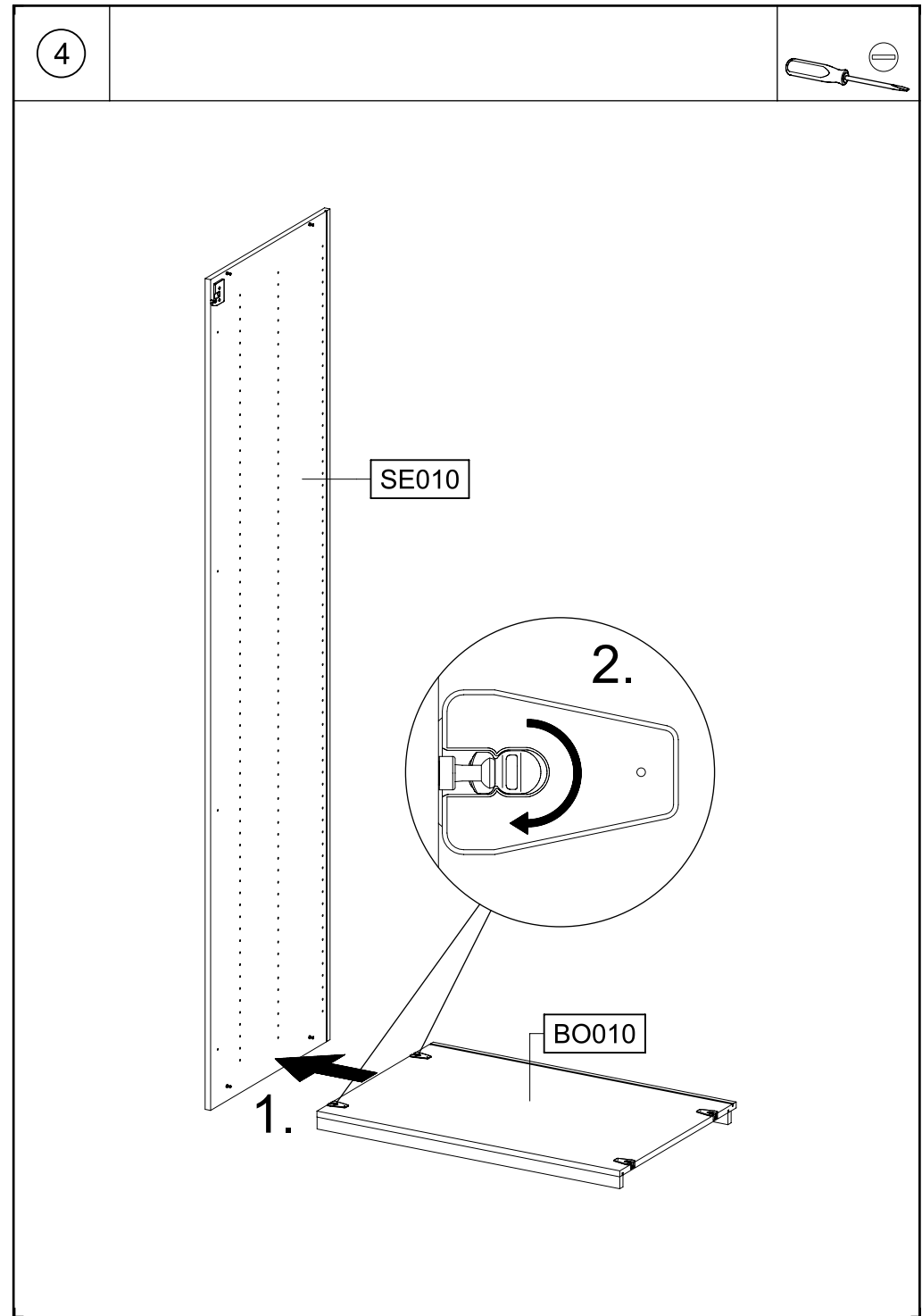
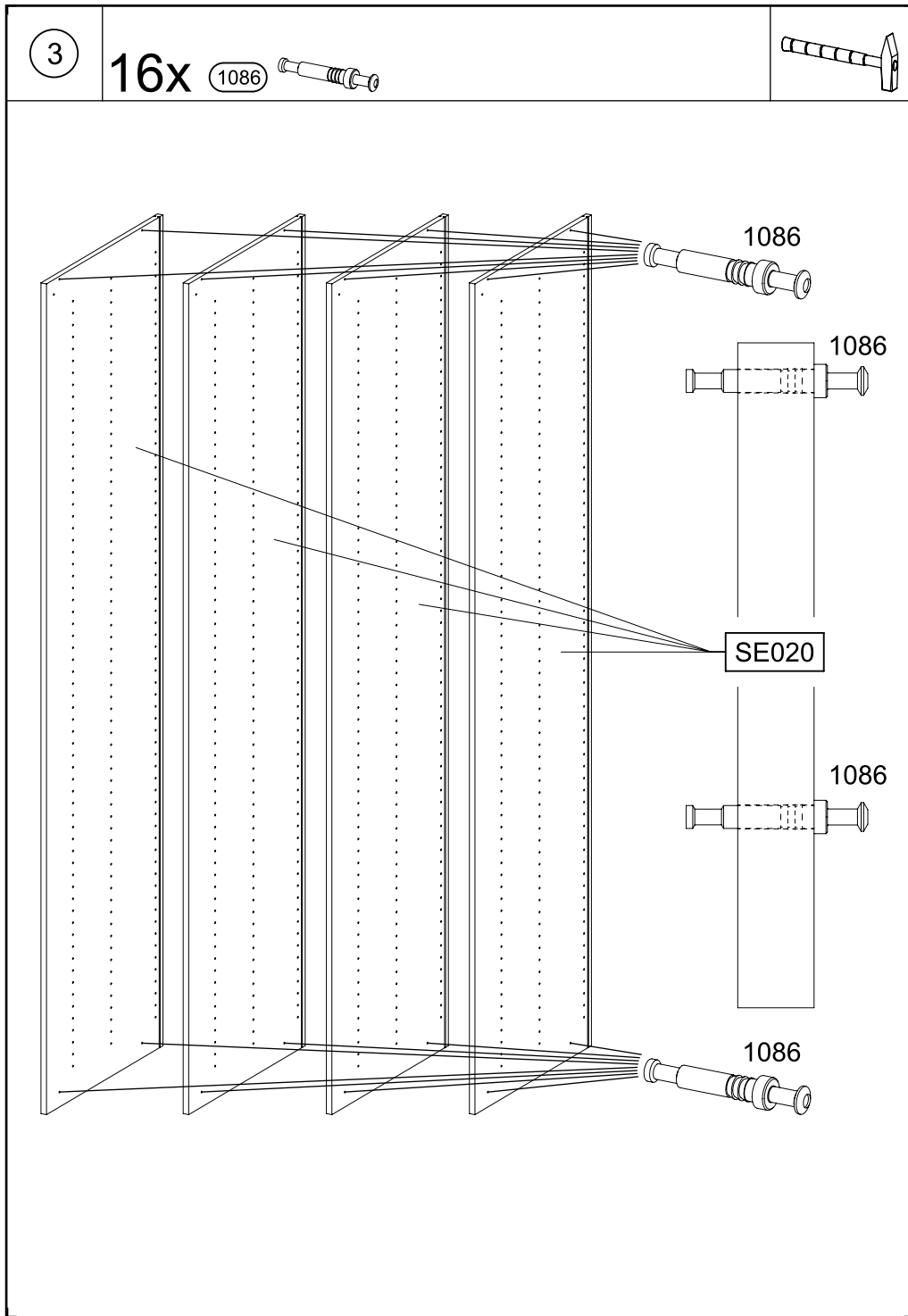
SCAN ME

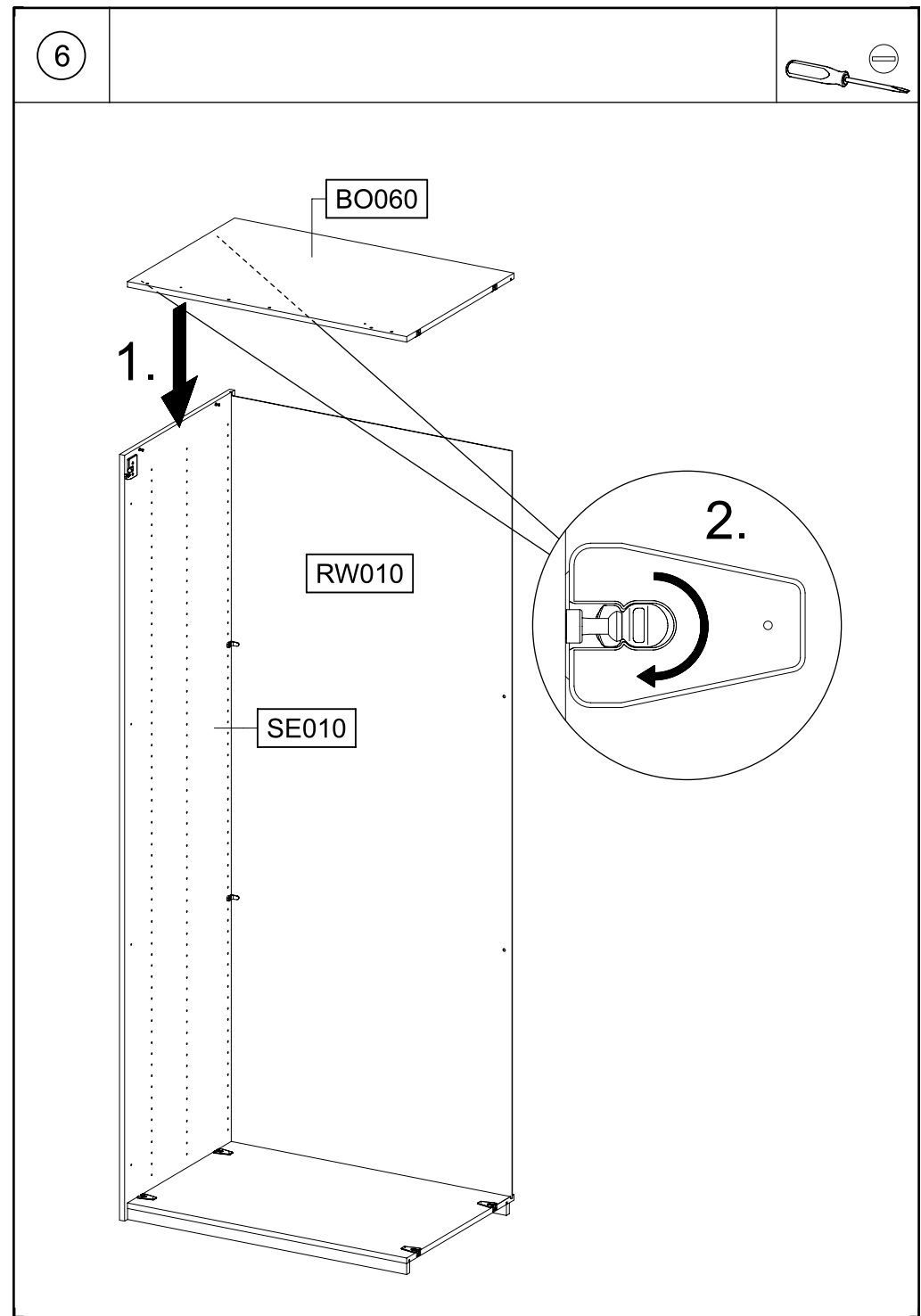
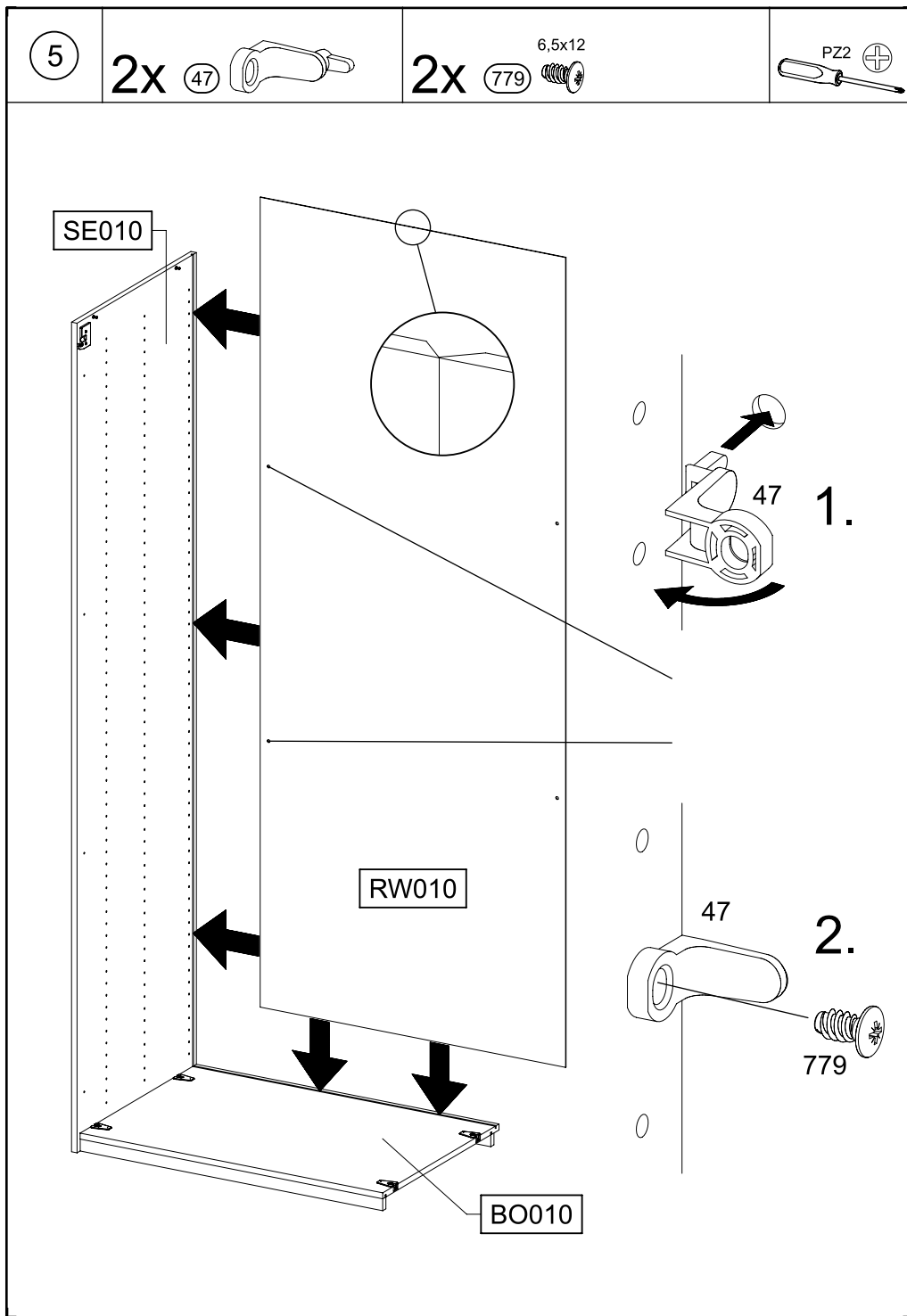


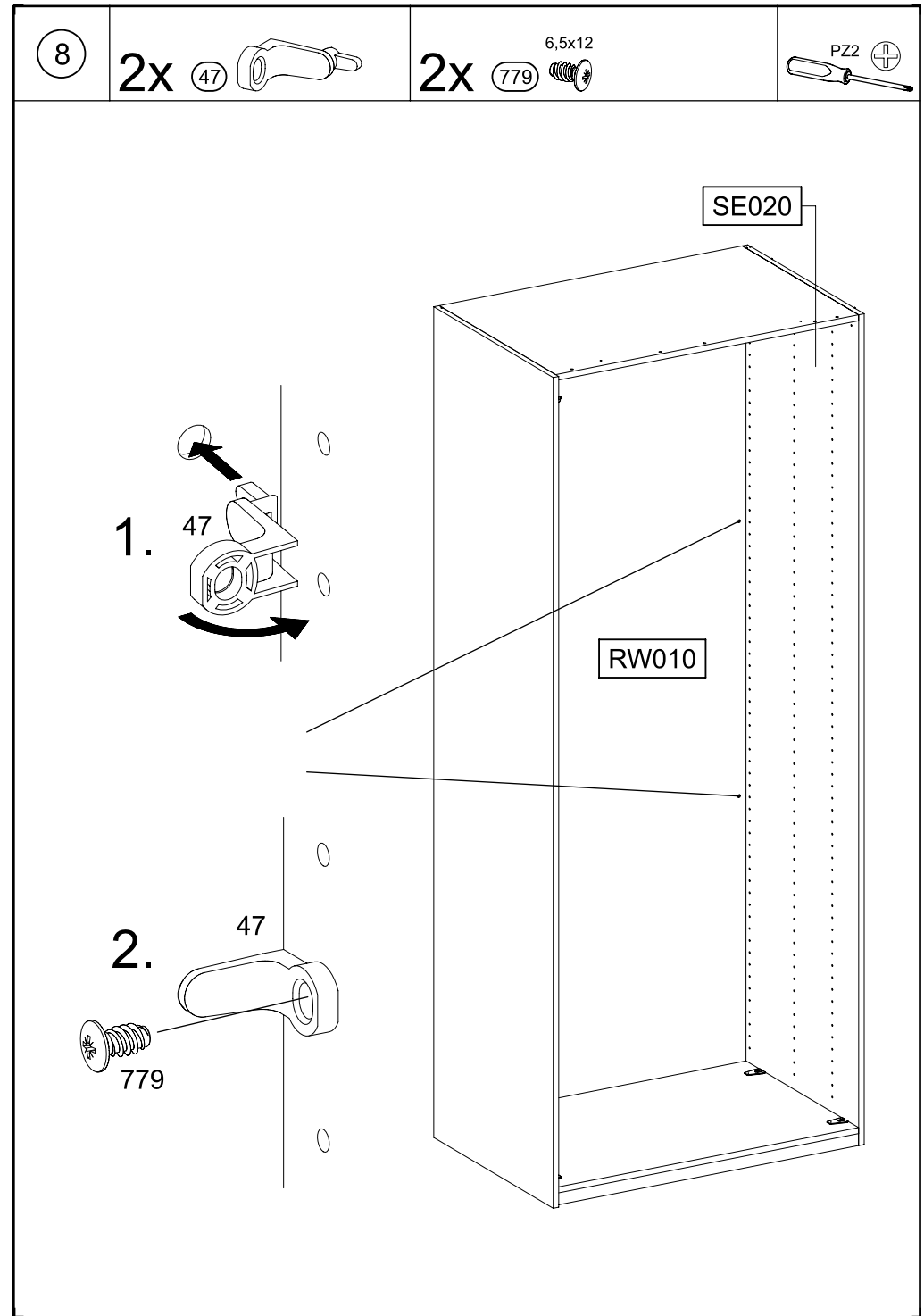
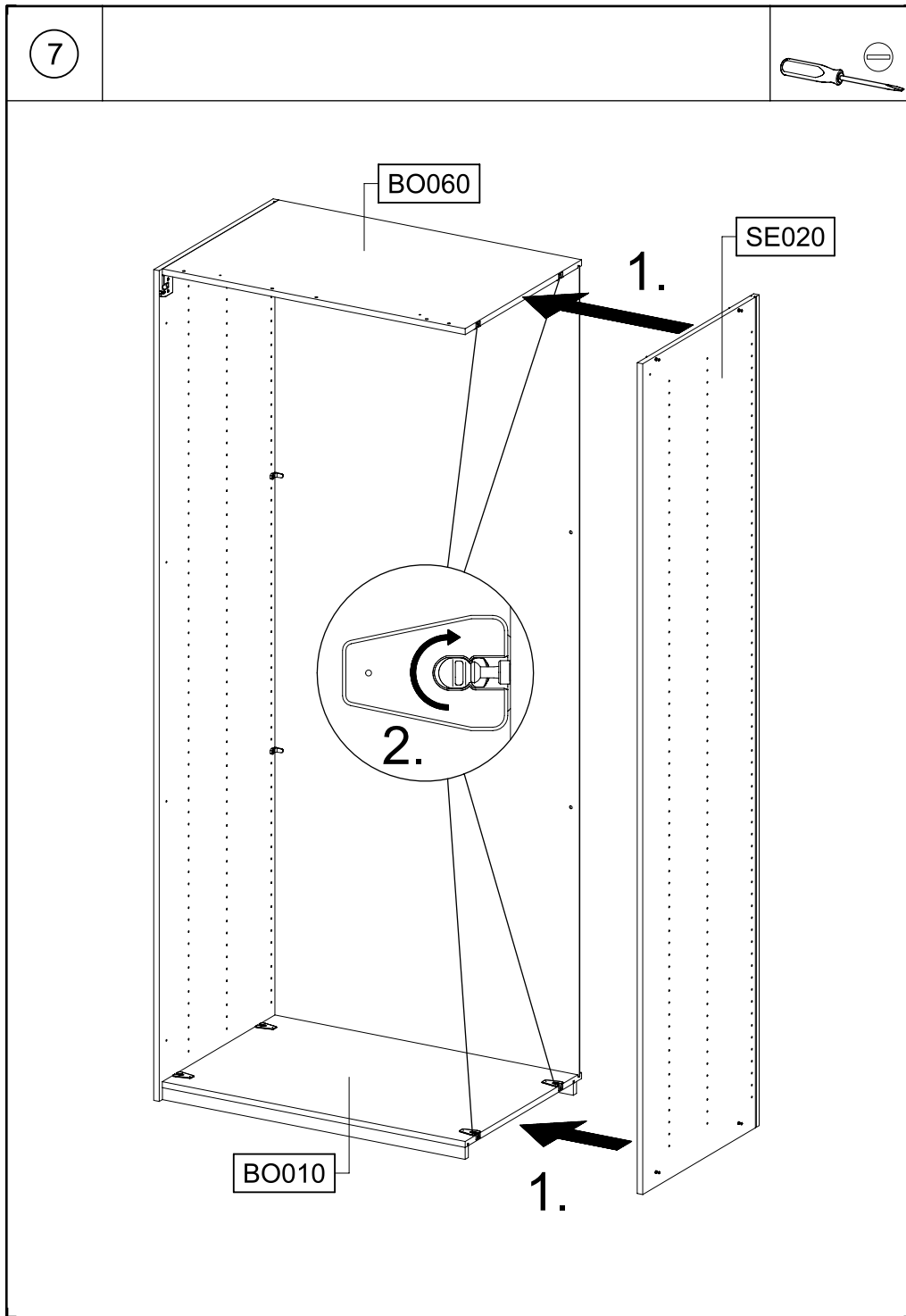
<p>0-12x 55x16x6,2</p> <p>(12)</p>		<p>10x</p> <p>(29)</p>	
<p>20x</p> <p>(45)</p>		<p>20x</p> <p>(47)</p>	
<p>2x 77x22x15</p> <p>(68)</p>		<p>1x 31,8x15x8</p> <p>(133)</p>	
<p>4x 4x15</p> <p>(201)</p>	<p>33x 3,5x15</p> <p>(205)</p>	<p>14x M4x12</p> <p>(211)</p>	
<p>14x M4</p> <p>(580)</p>		<p>20x 6,5x12</p> <p>(779)</p>	
<p>8x</p> <p>(1085)</p>		<p>16x</p> <p>(1086)</p>	
<p>40x</p> <p>(1089)</p>		<p>1x</p> <p>(1163)</p>	

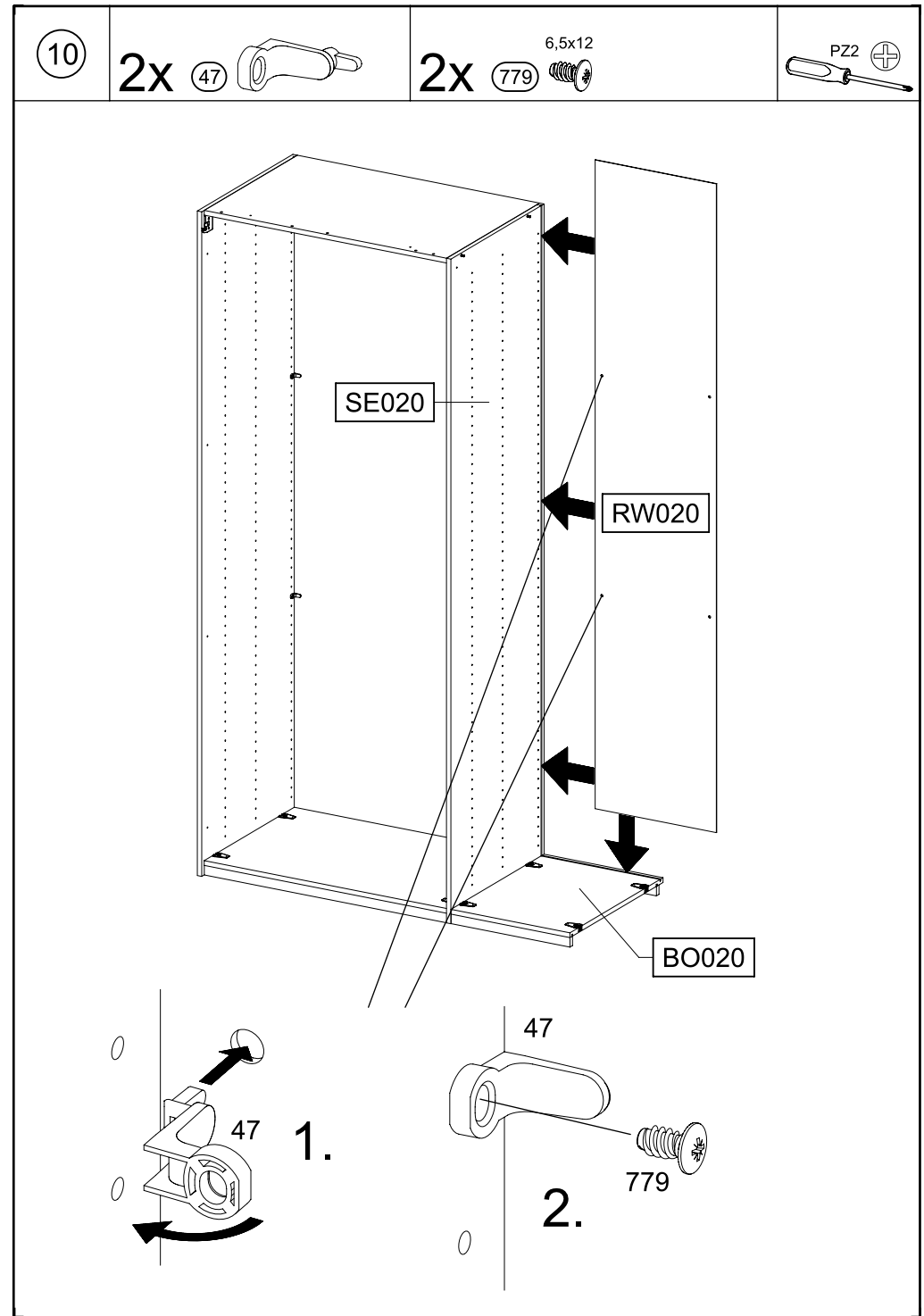
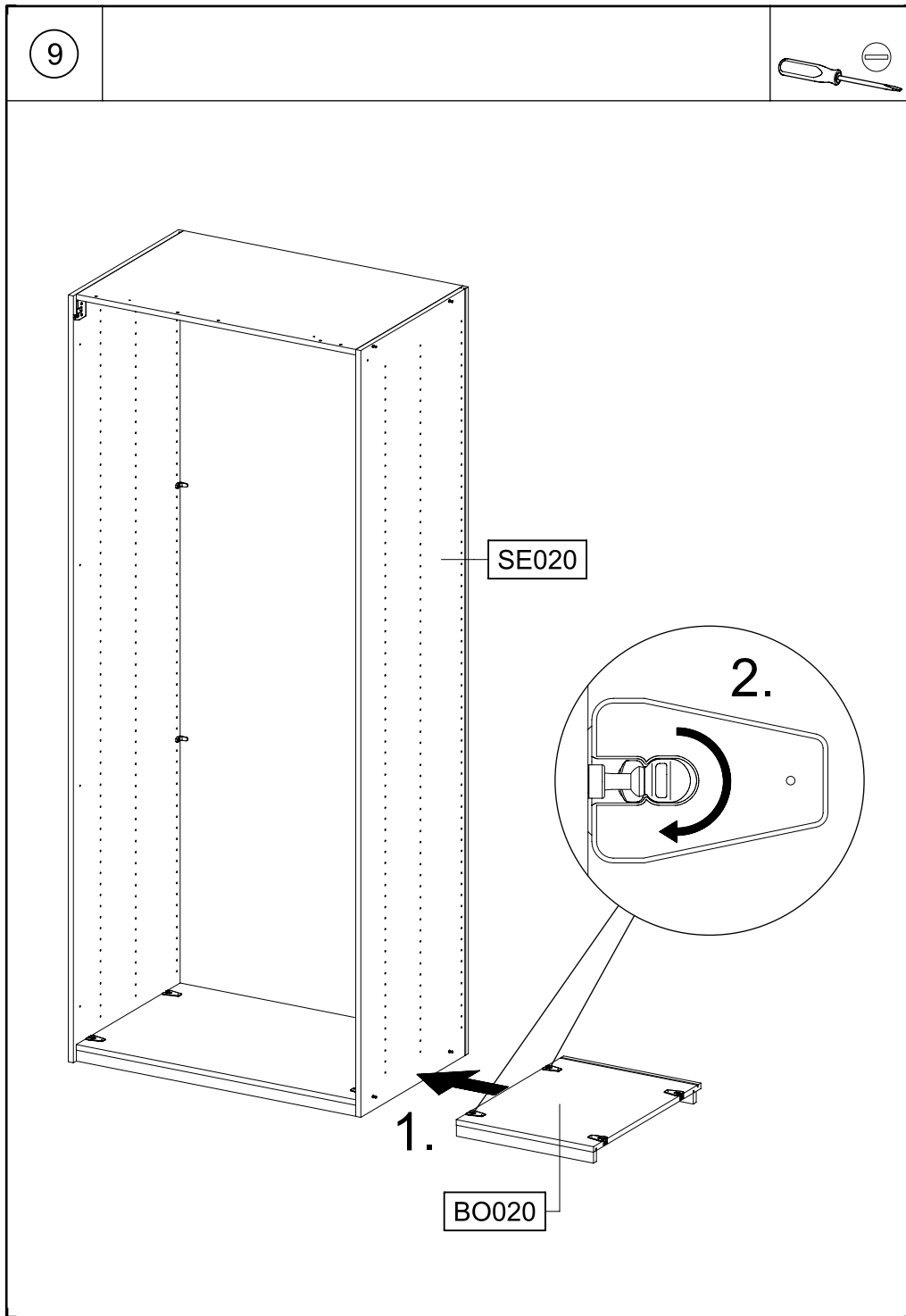
<p>1x</p> <p>(1165)</p>	<p>1x</p> <p>(1166)</p>
<p>2x</p> <p>(1167)</p>	<p>2x</p> <p>(1168)</p>
<p>1x</p> <p>(1169)</p>	<p>1x</p> <p>(1450)</p>
<p>3x</p> <p>(1277)</p>	<p>2x M5x12</p> <p>(1279)</p>
<p>2x</p> <p>(1280)</p>	<p>2x M5</p> <p>(1288)</p>
<p>2x M5x8</p> <p>(1449)</p>	



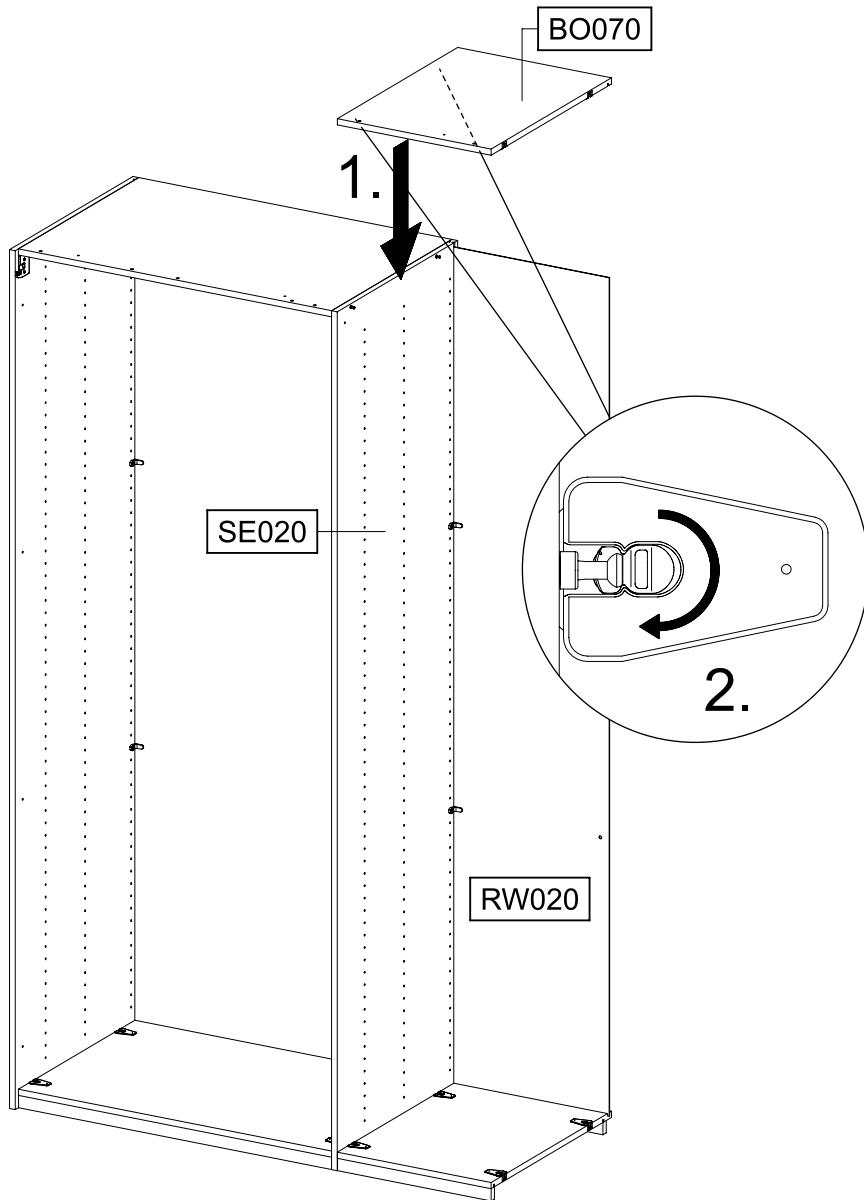
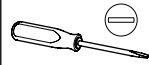




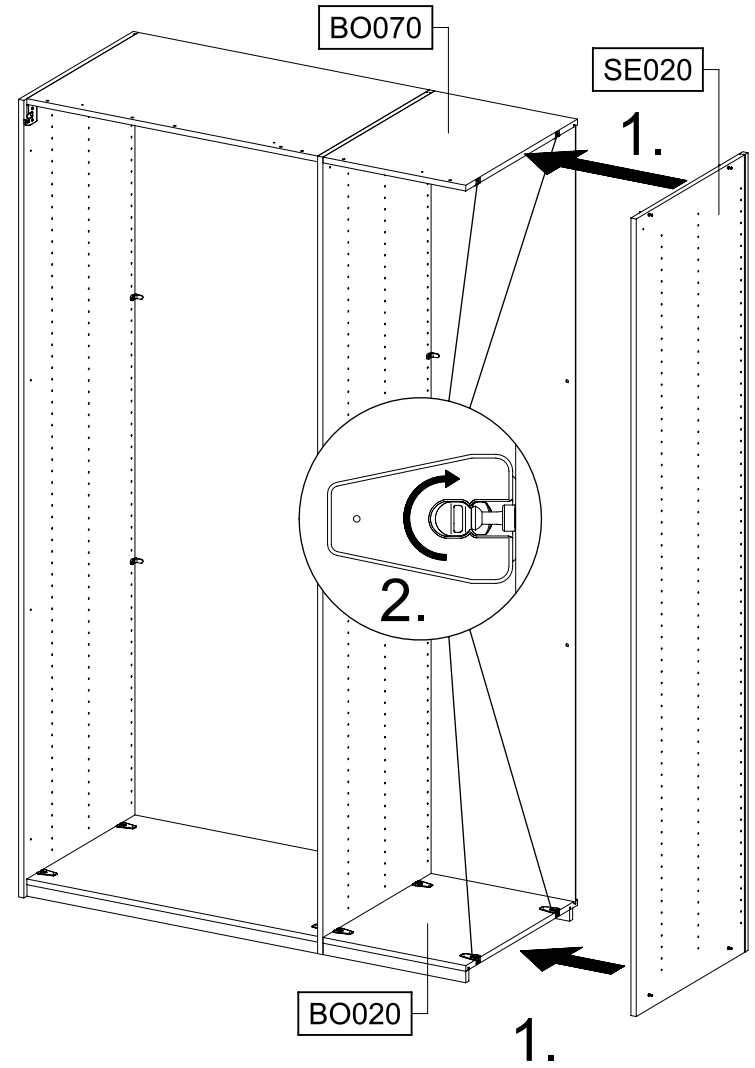
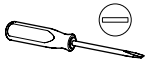




11



12



13

2x

47



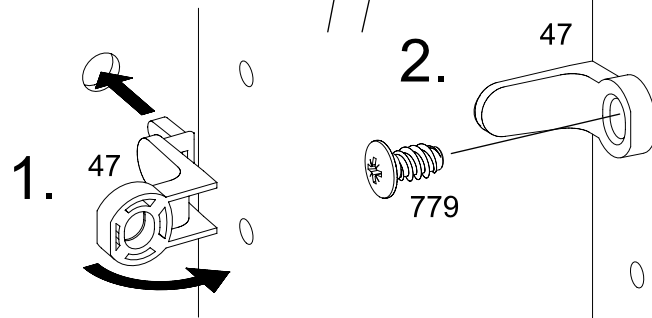
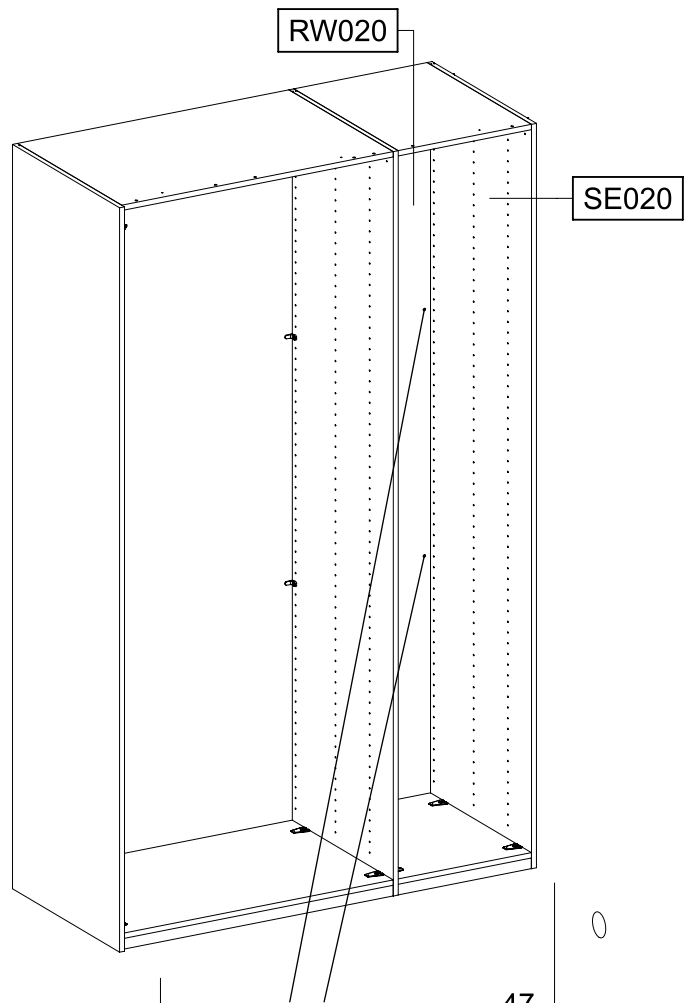
2x

779

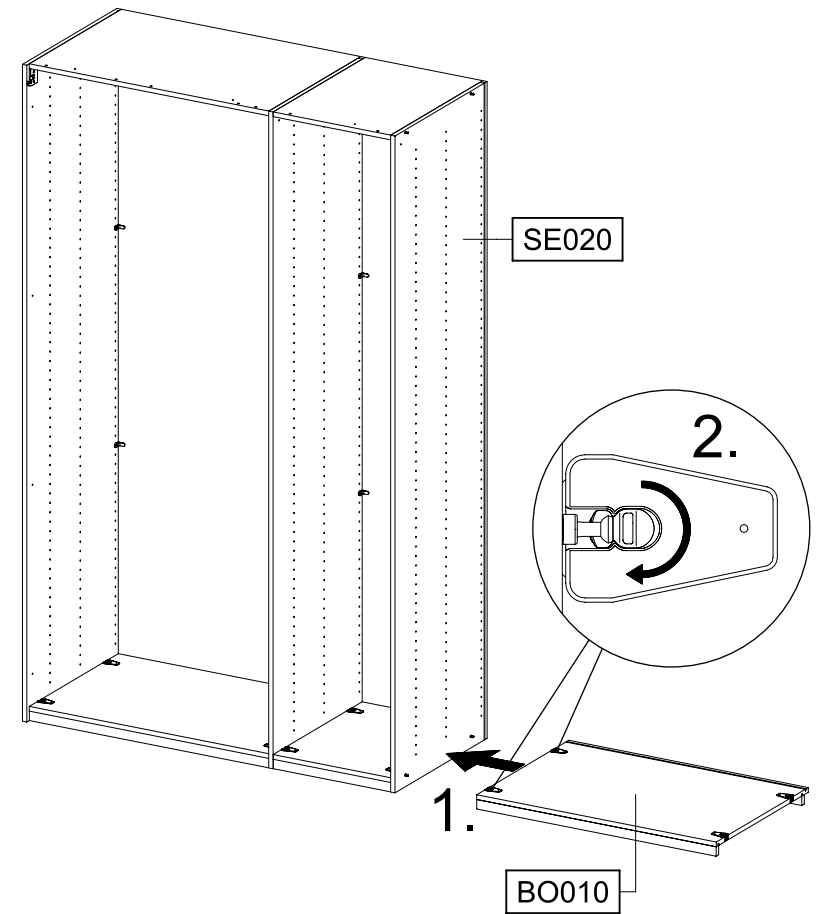
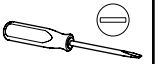
6,5x12



PZ2



14



1.

2.

BO010

15

2x

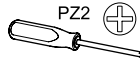
47



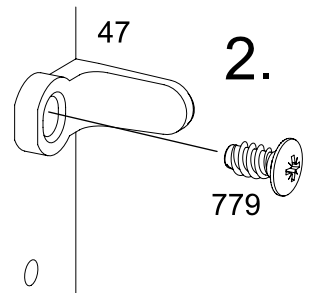
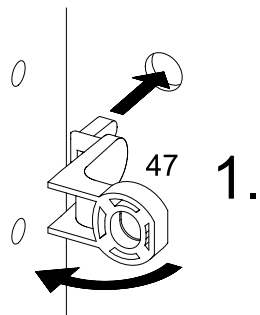
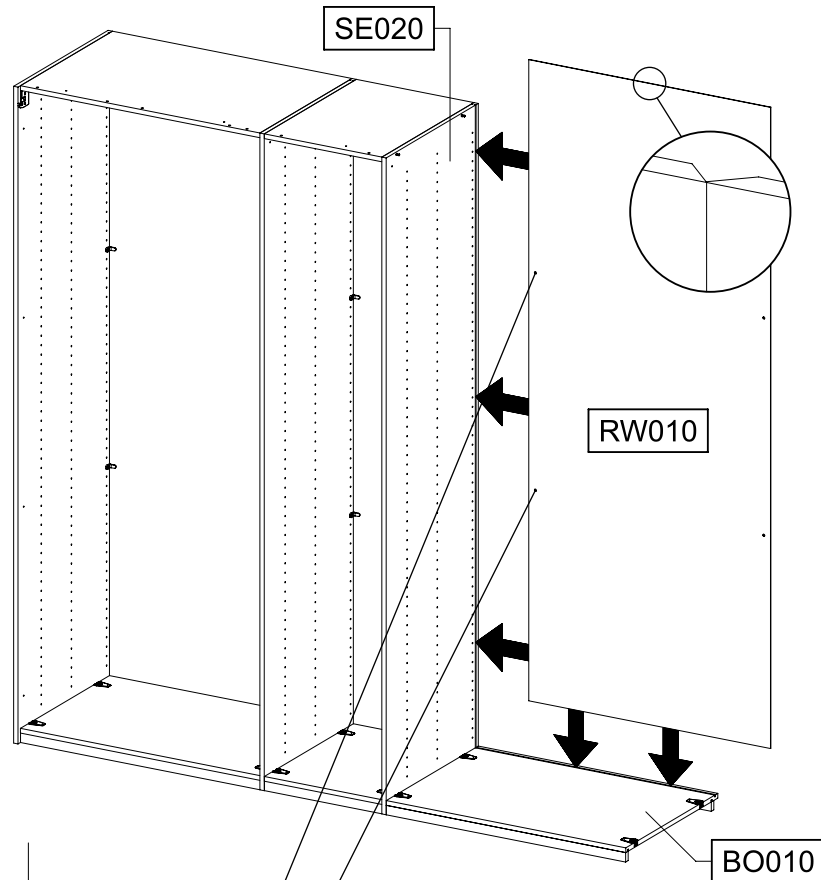
2x

779

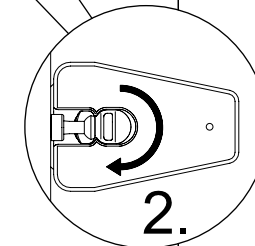
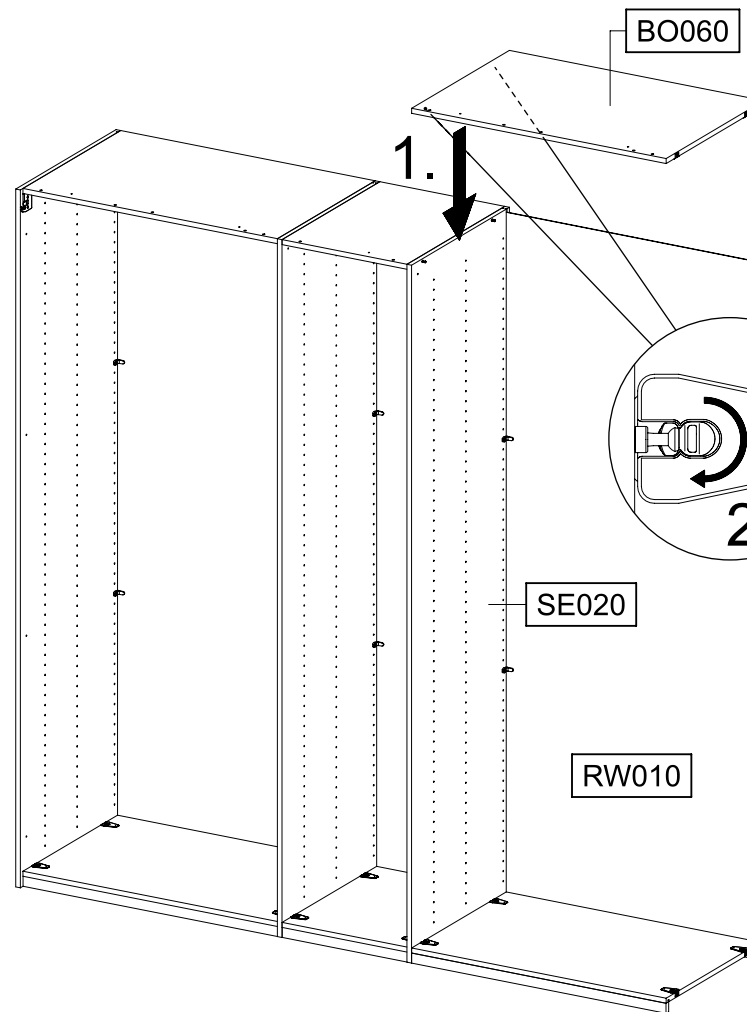
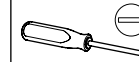
6,5x12



PZ2



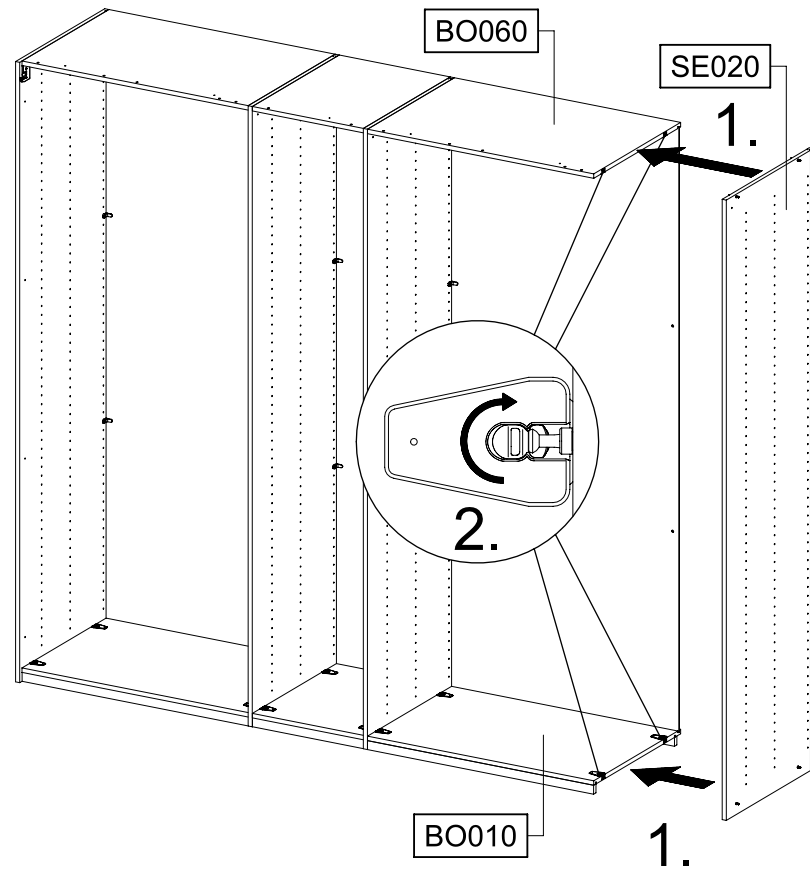
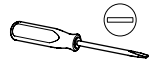
16



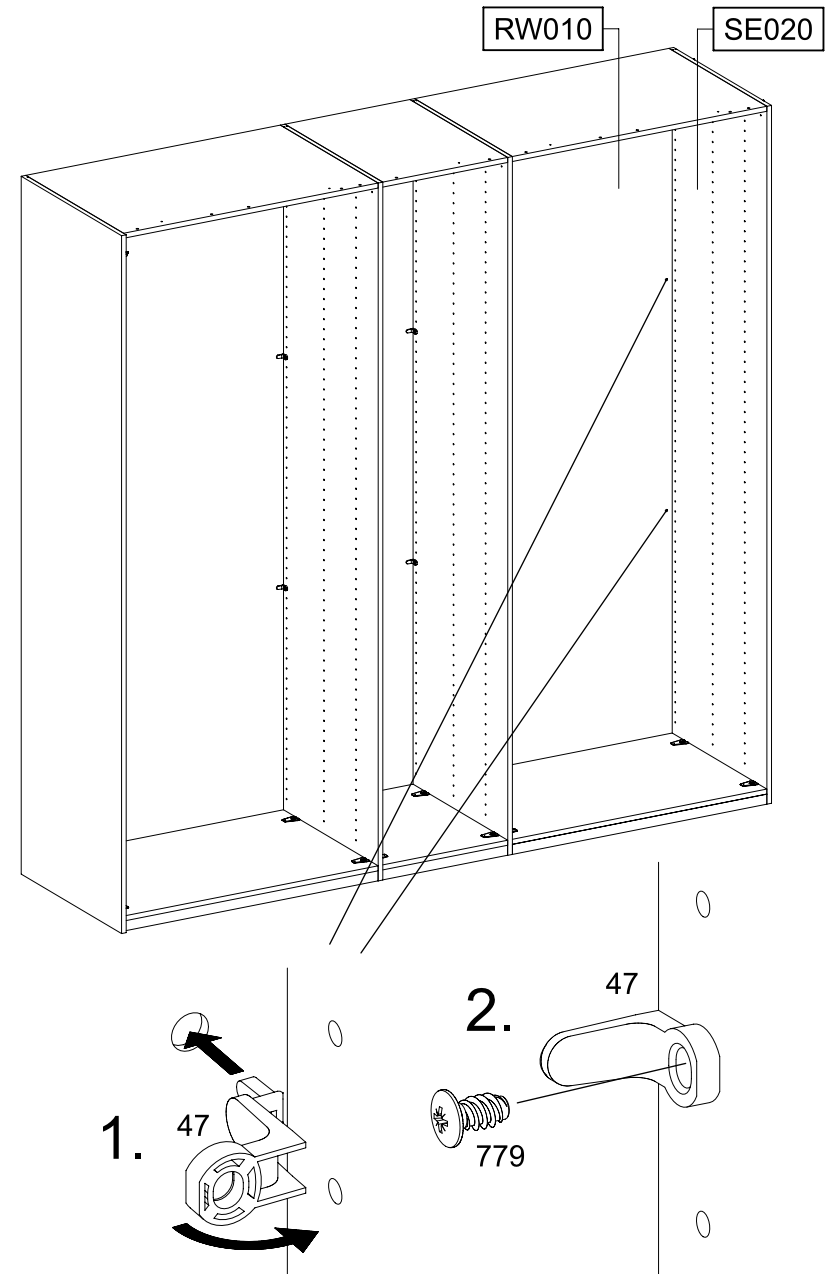
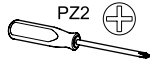
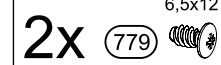
1.

2.

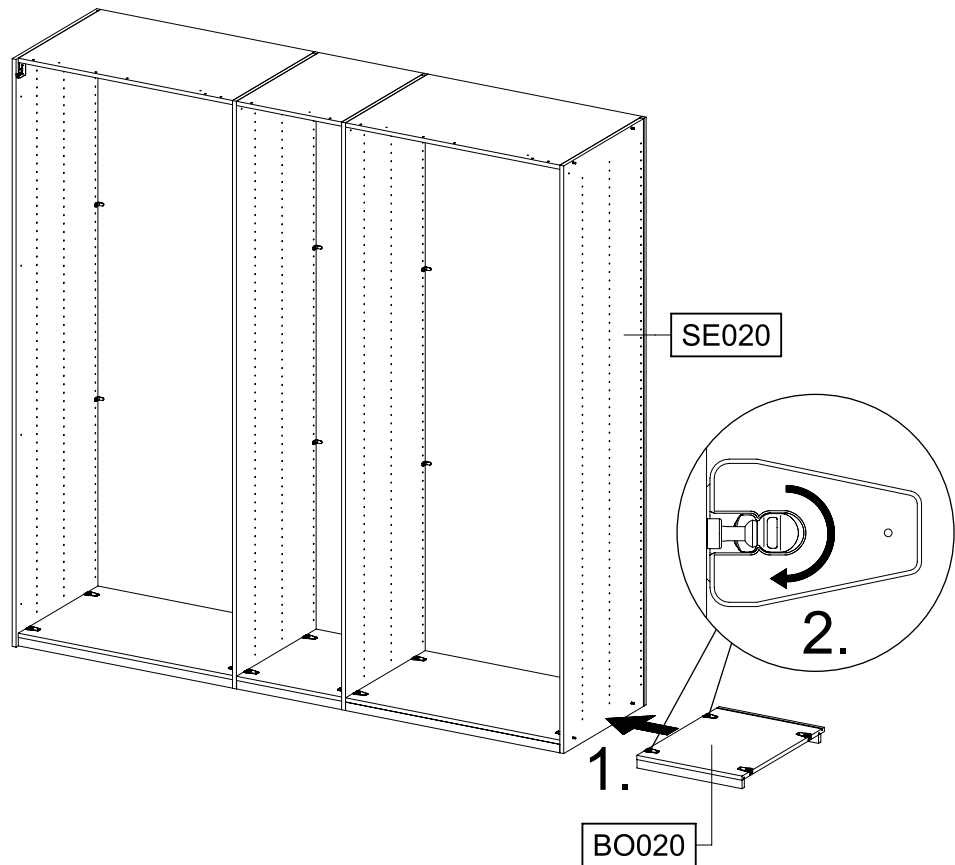
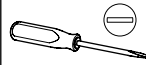
17



18



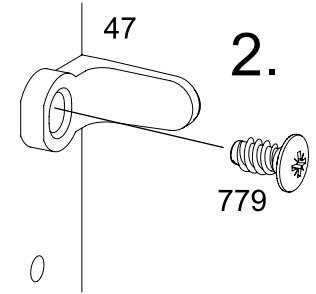
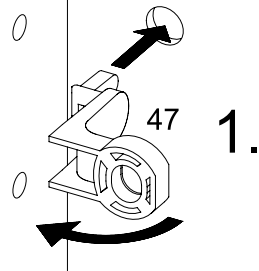
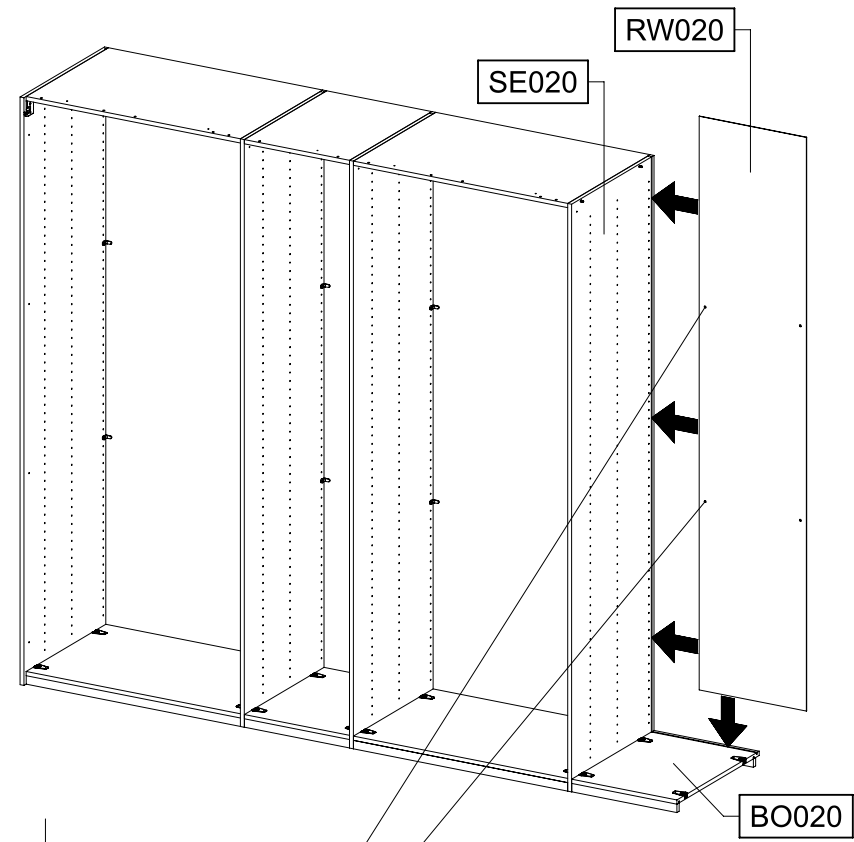
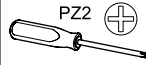
19



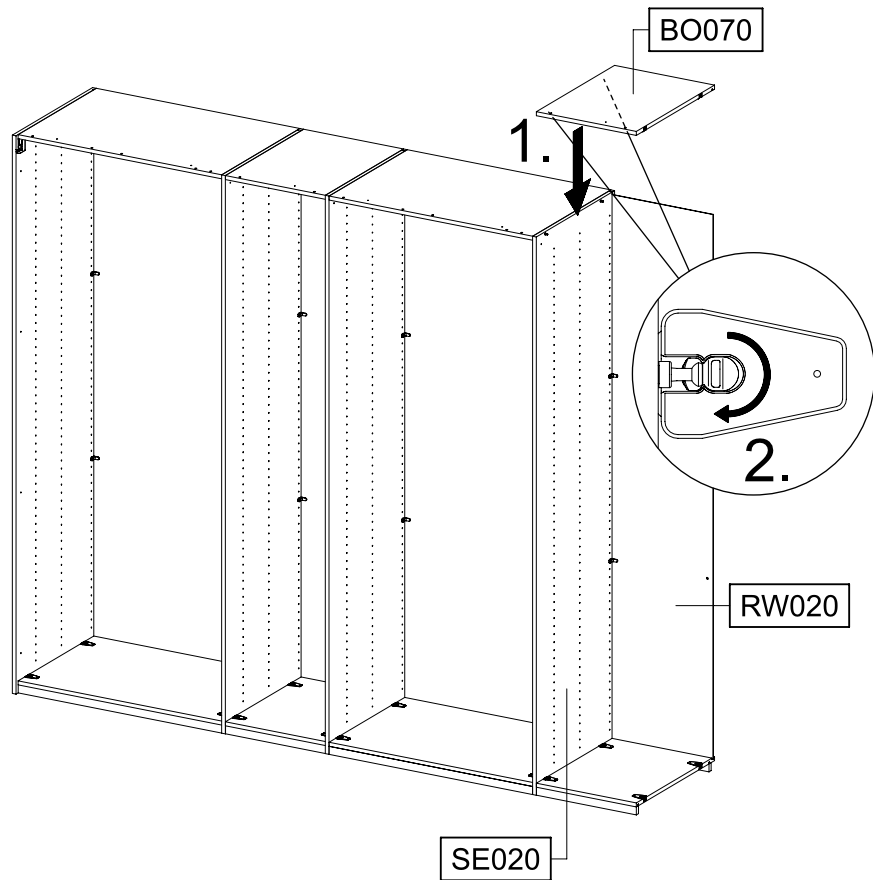
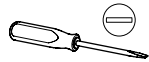
20

2x 47

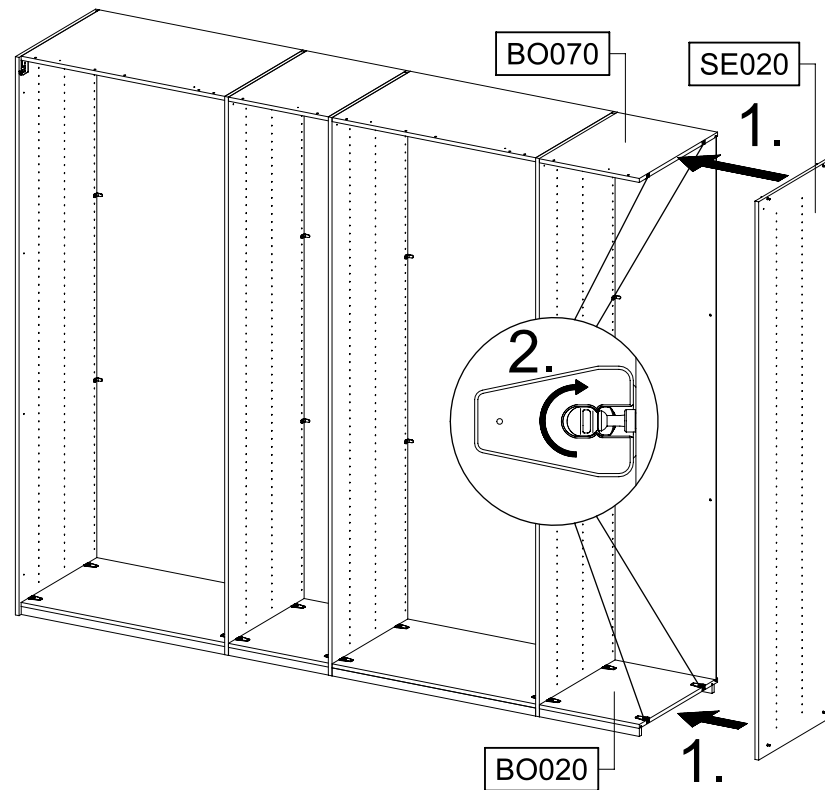
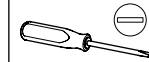
2x 779 6,5x12



21



22



23

2x

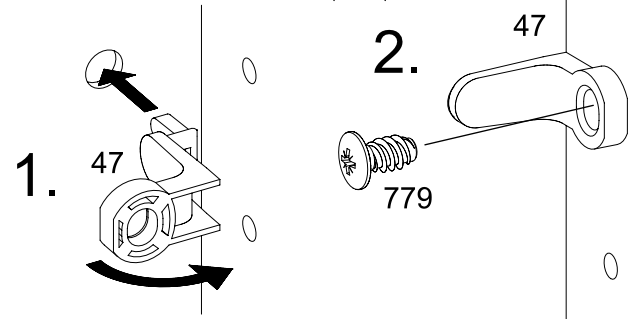
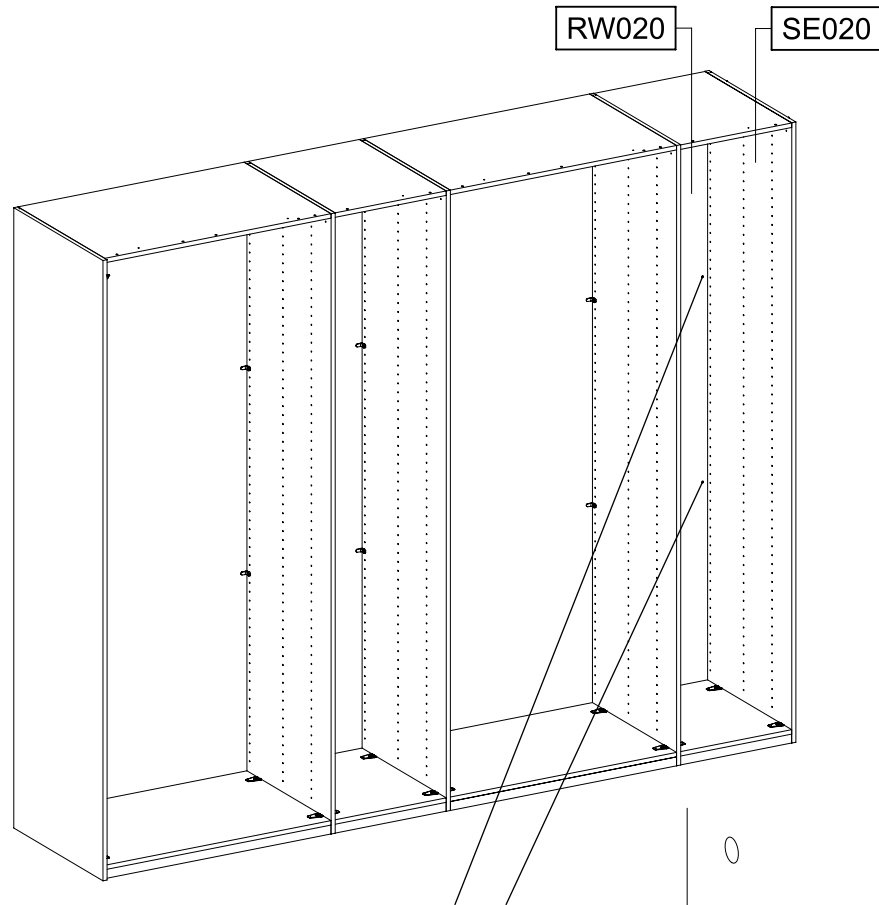
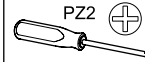
47



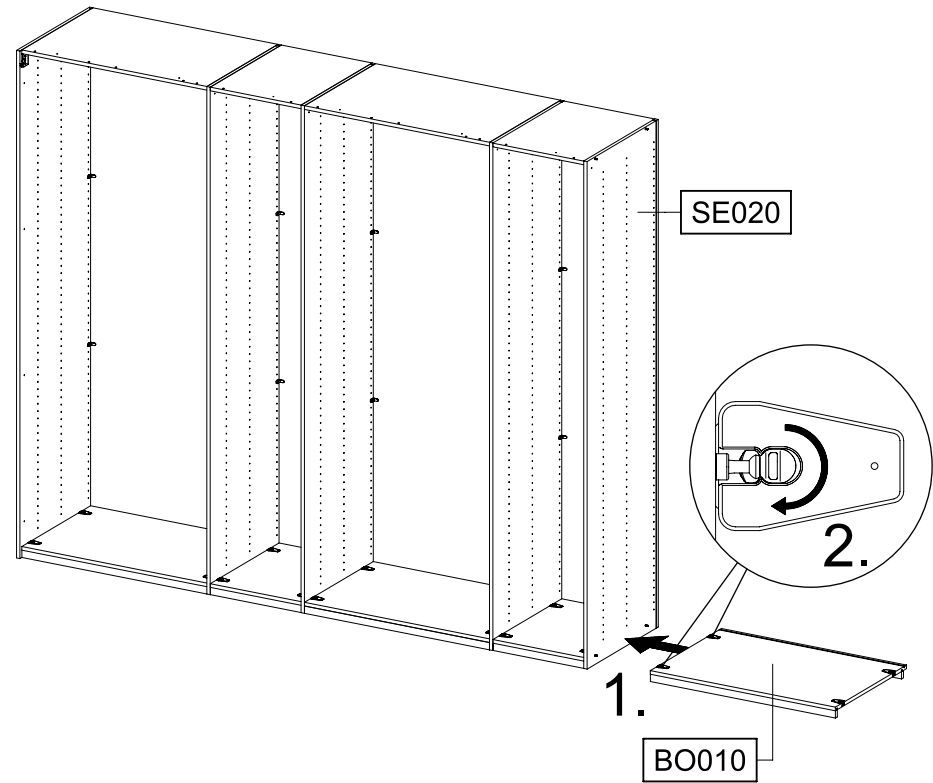
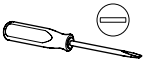
2x

779

6,5x12



24



25

2x

47



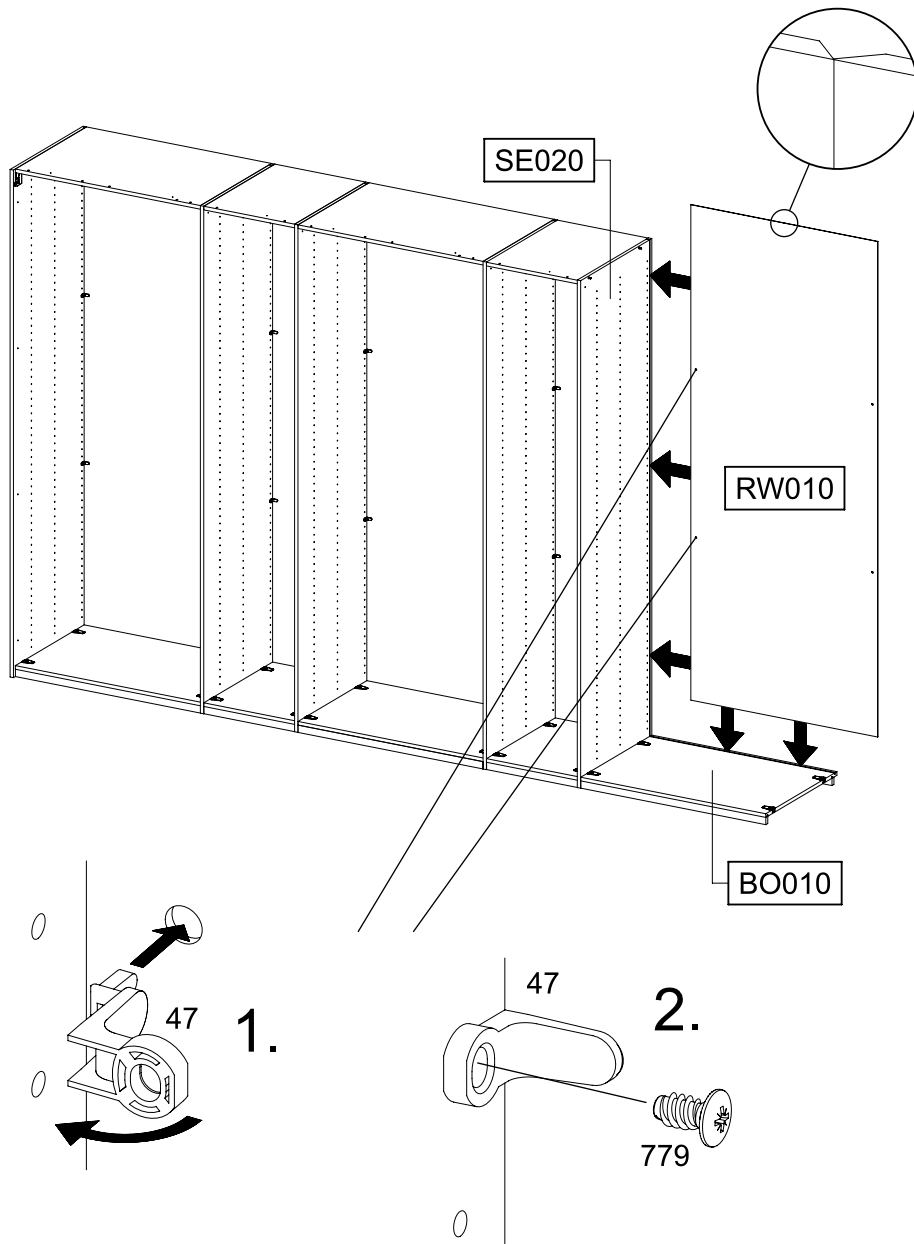
2x

779

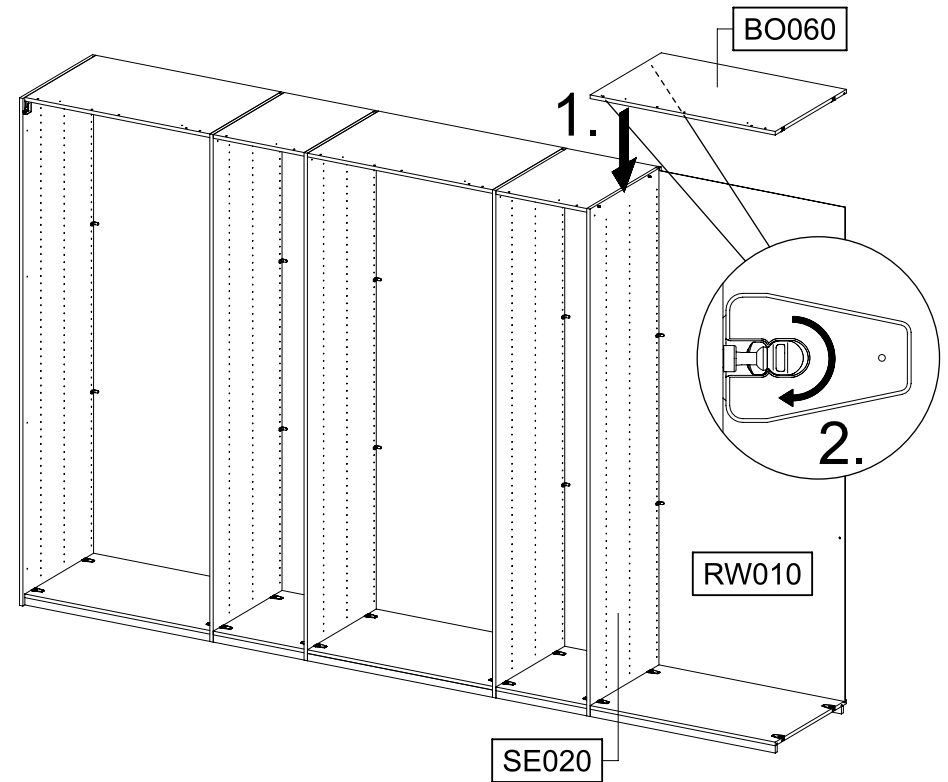
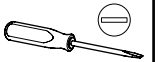
6,5x12



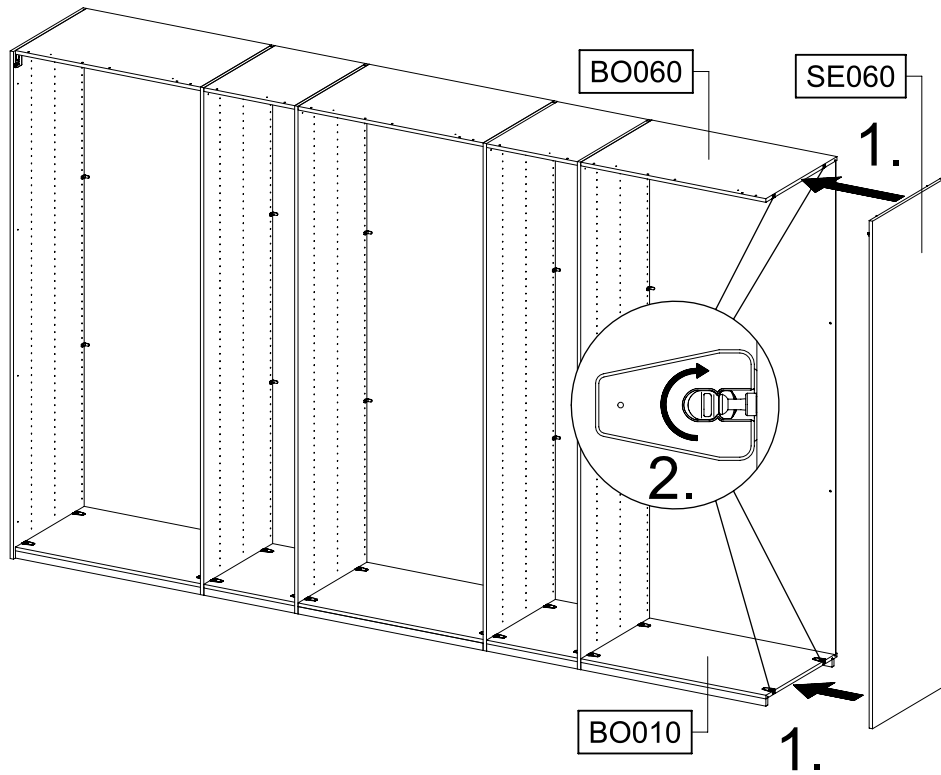
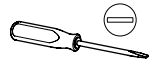
PZ2



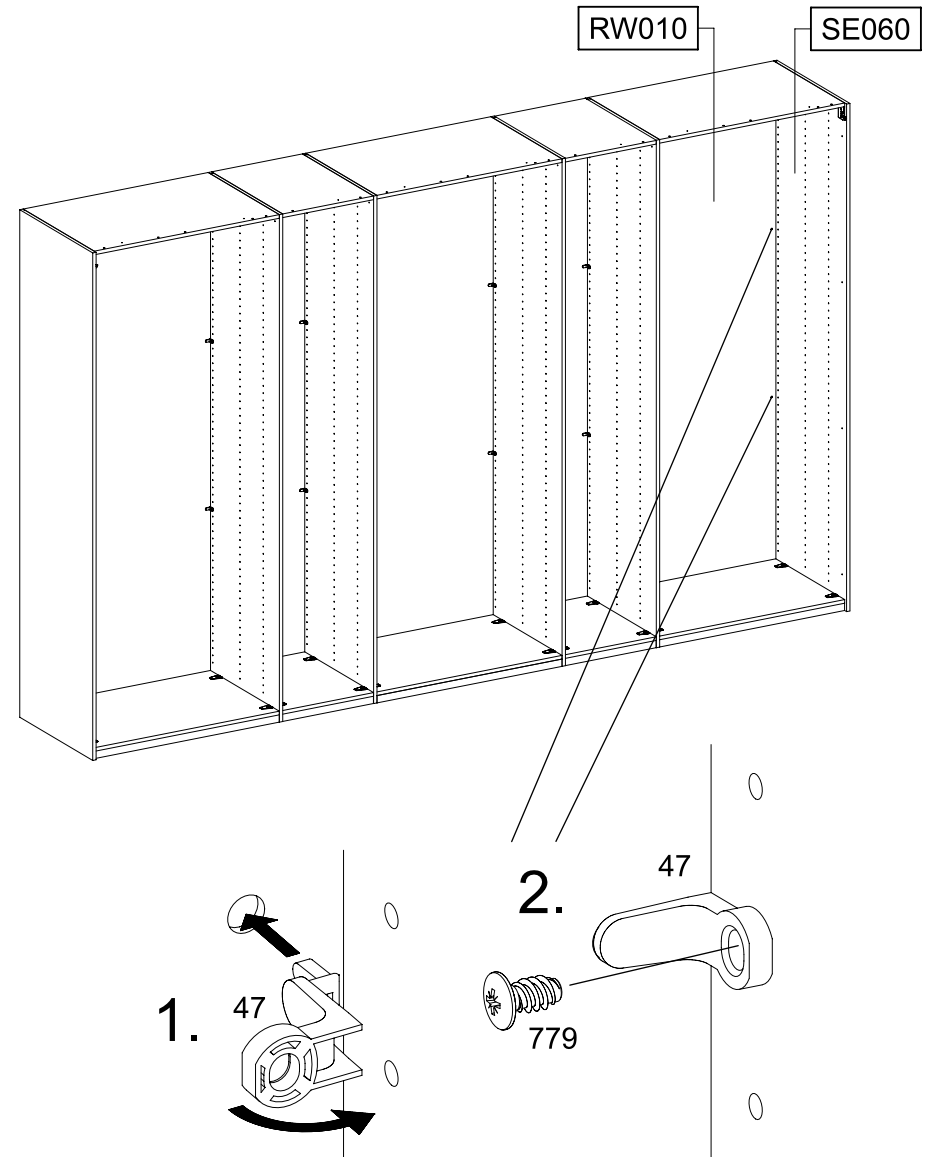
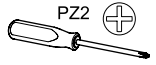
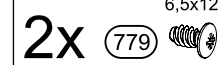
26



27



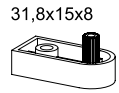
28



29

1x

133



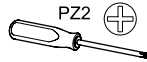
31,8x15x8

1x

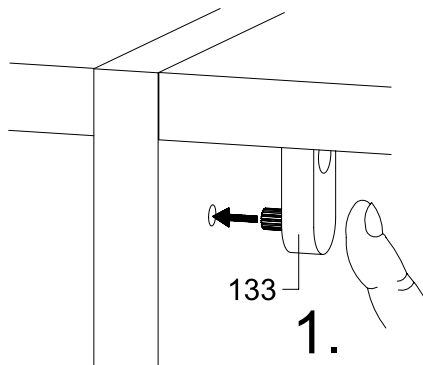
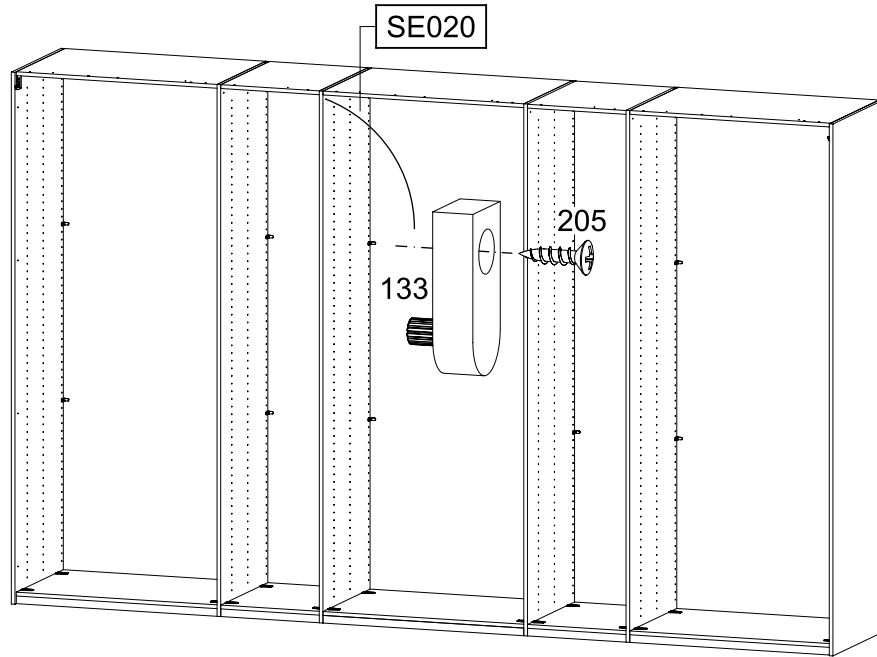
205



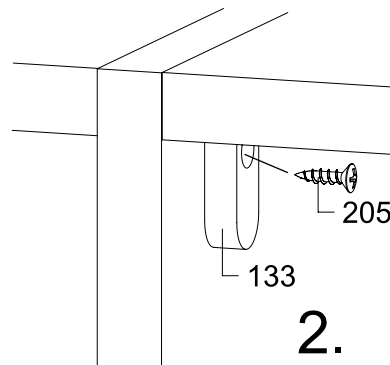
3,5x15



PZ2



1.

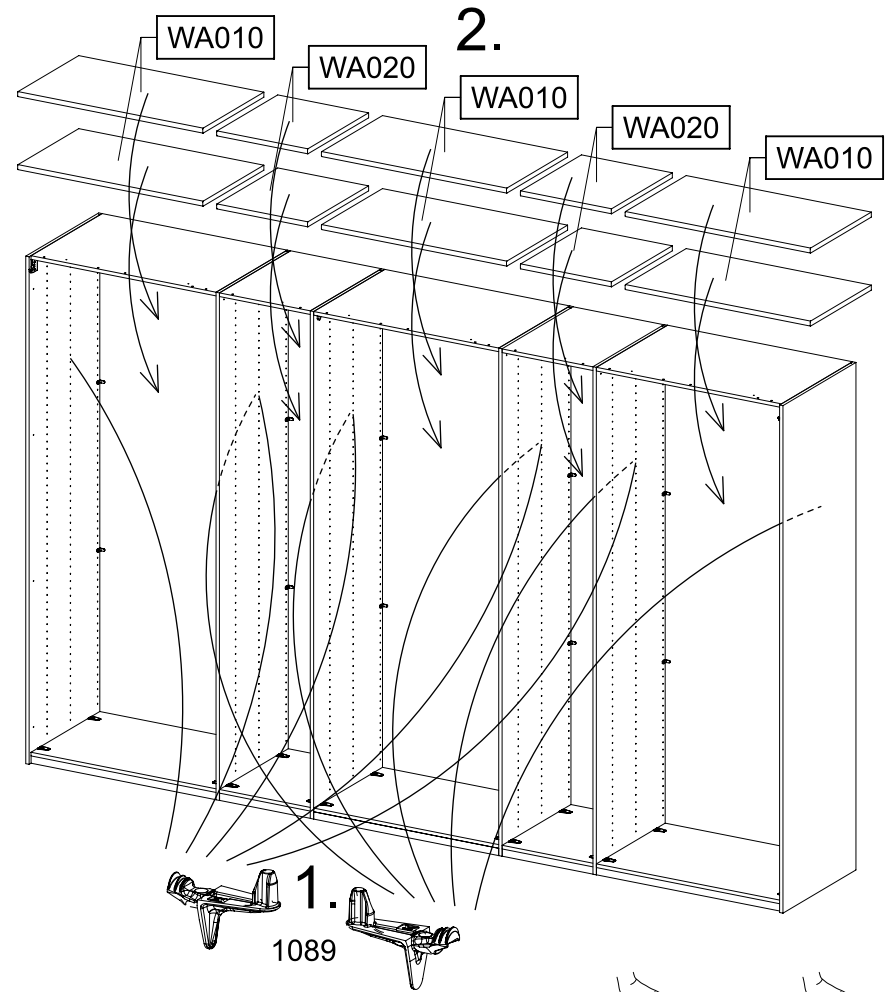


2.

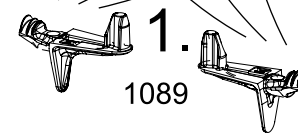
30

40x

1089

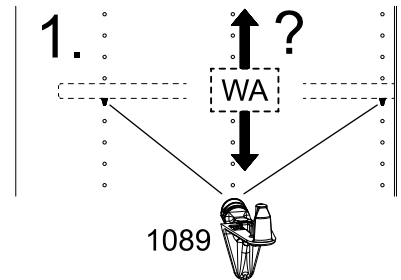


2.



1.

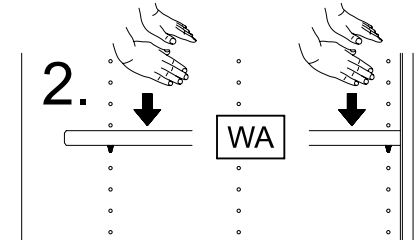
1089



1.

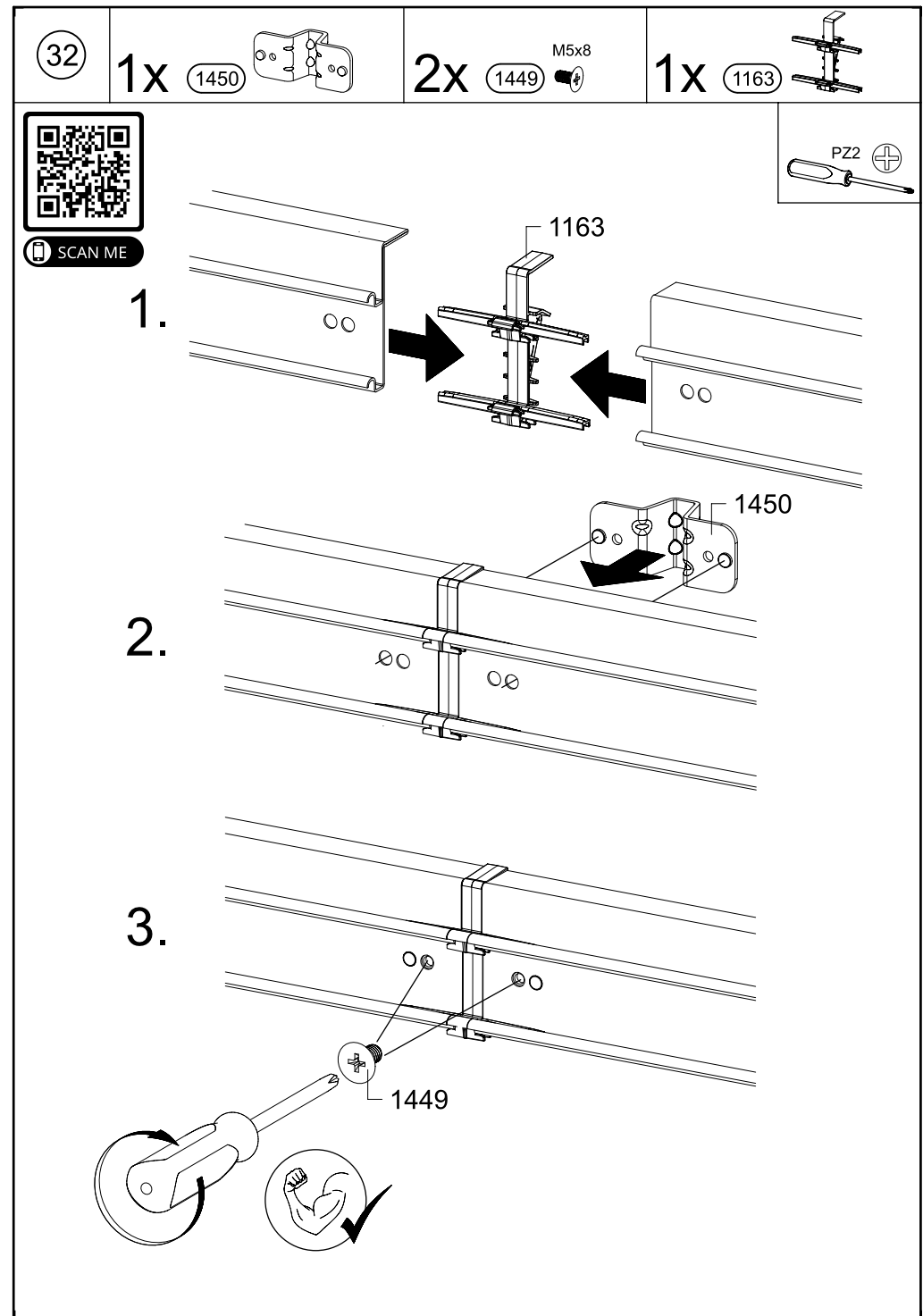
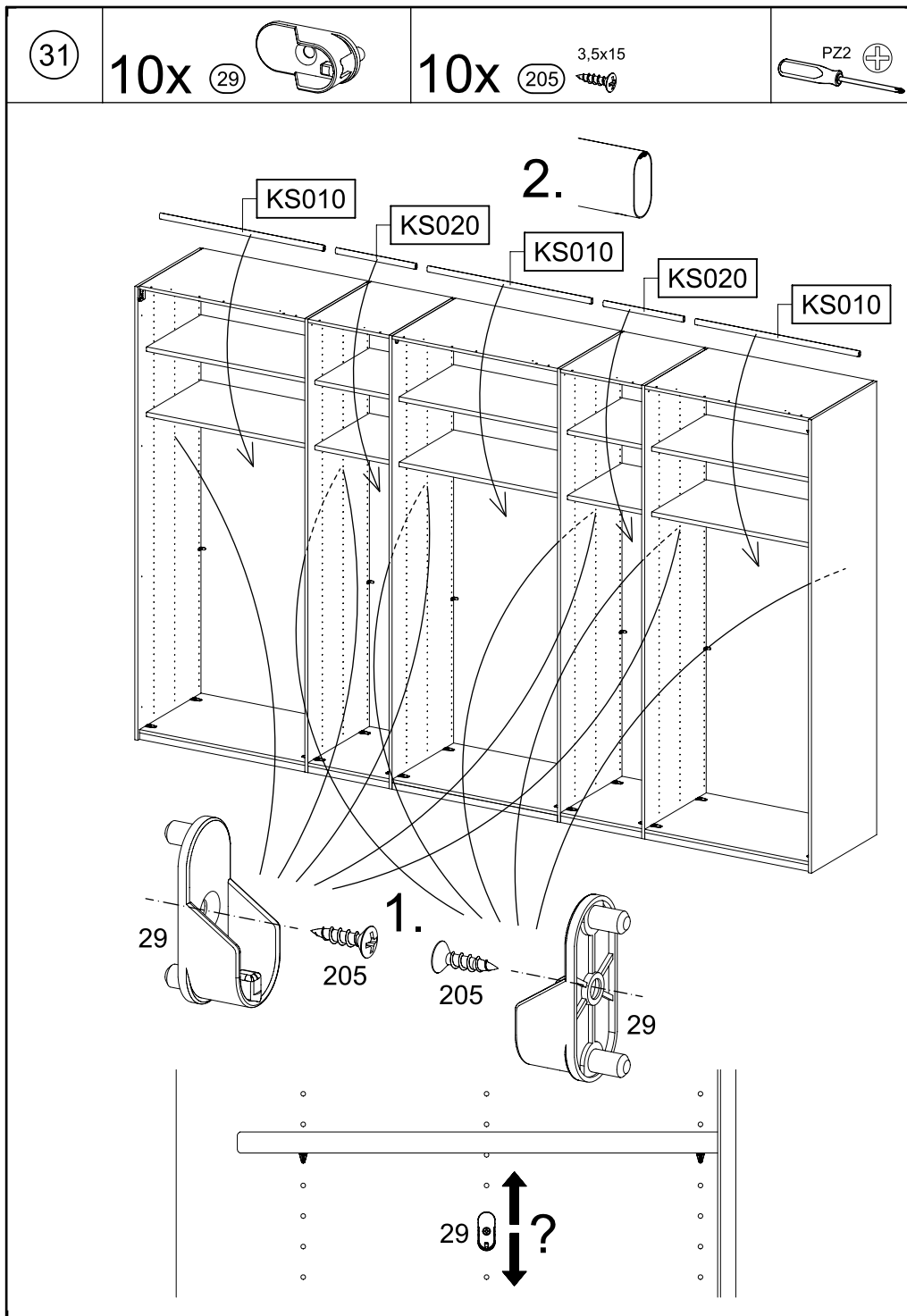
WA

1089

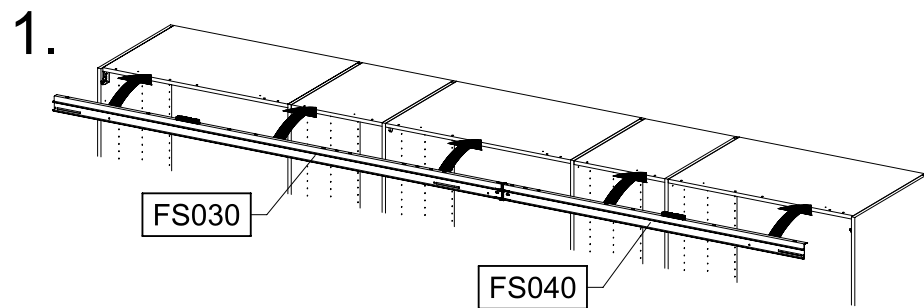


2.

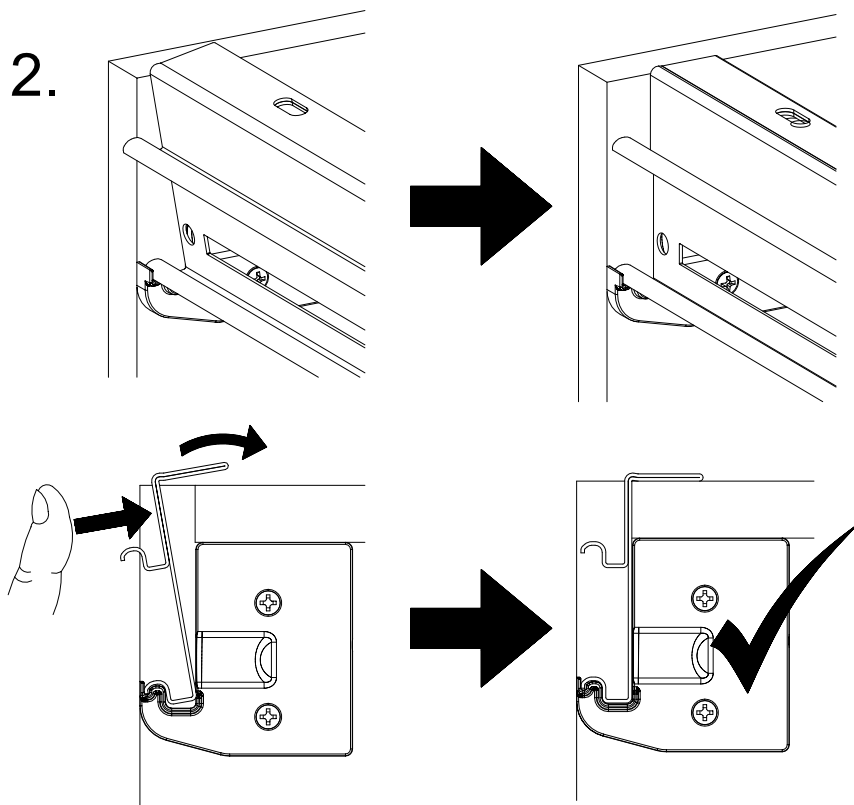
WA



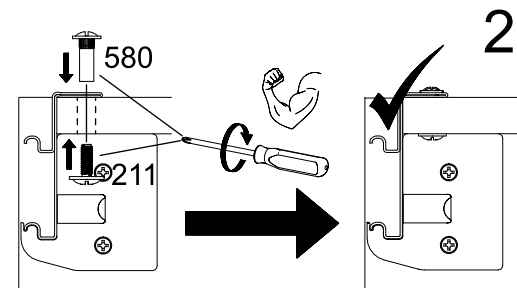
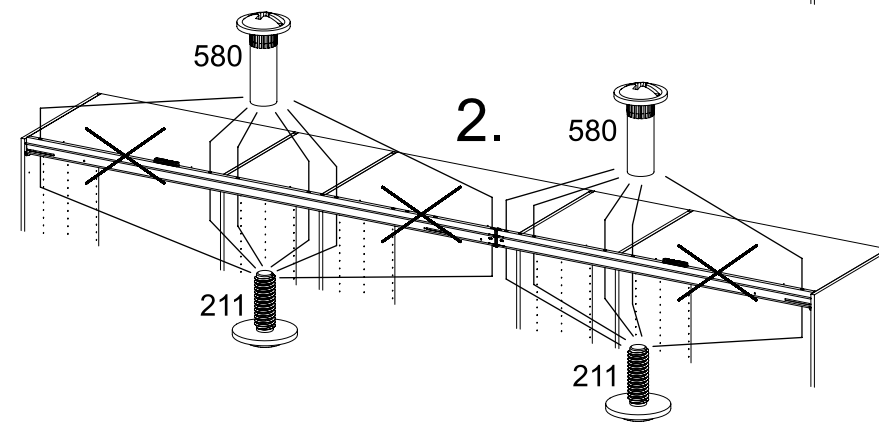
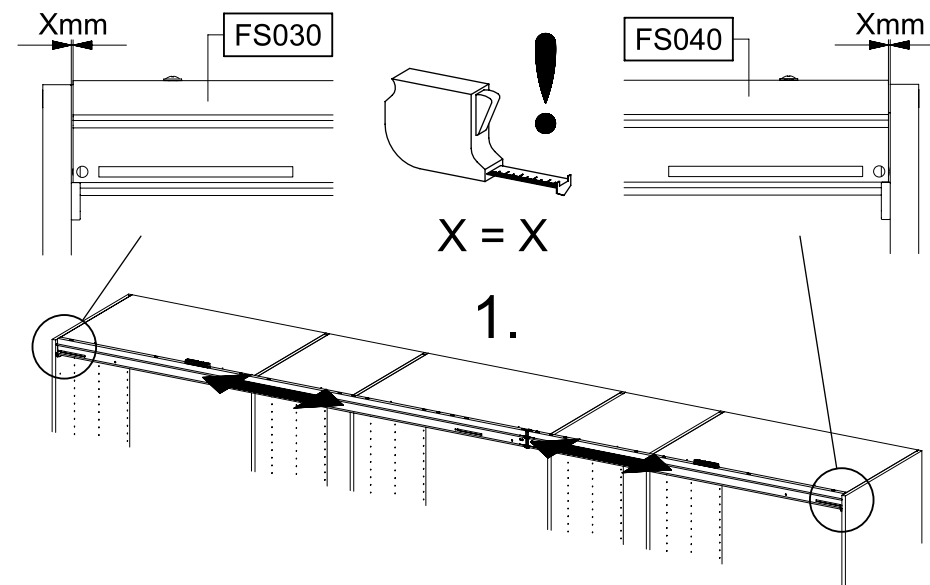
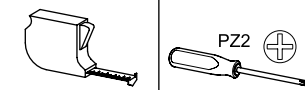
33

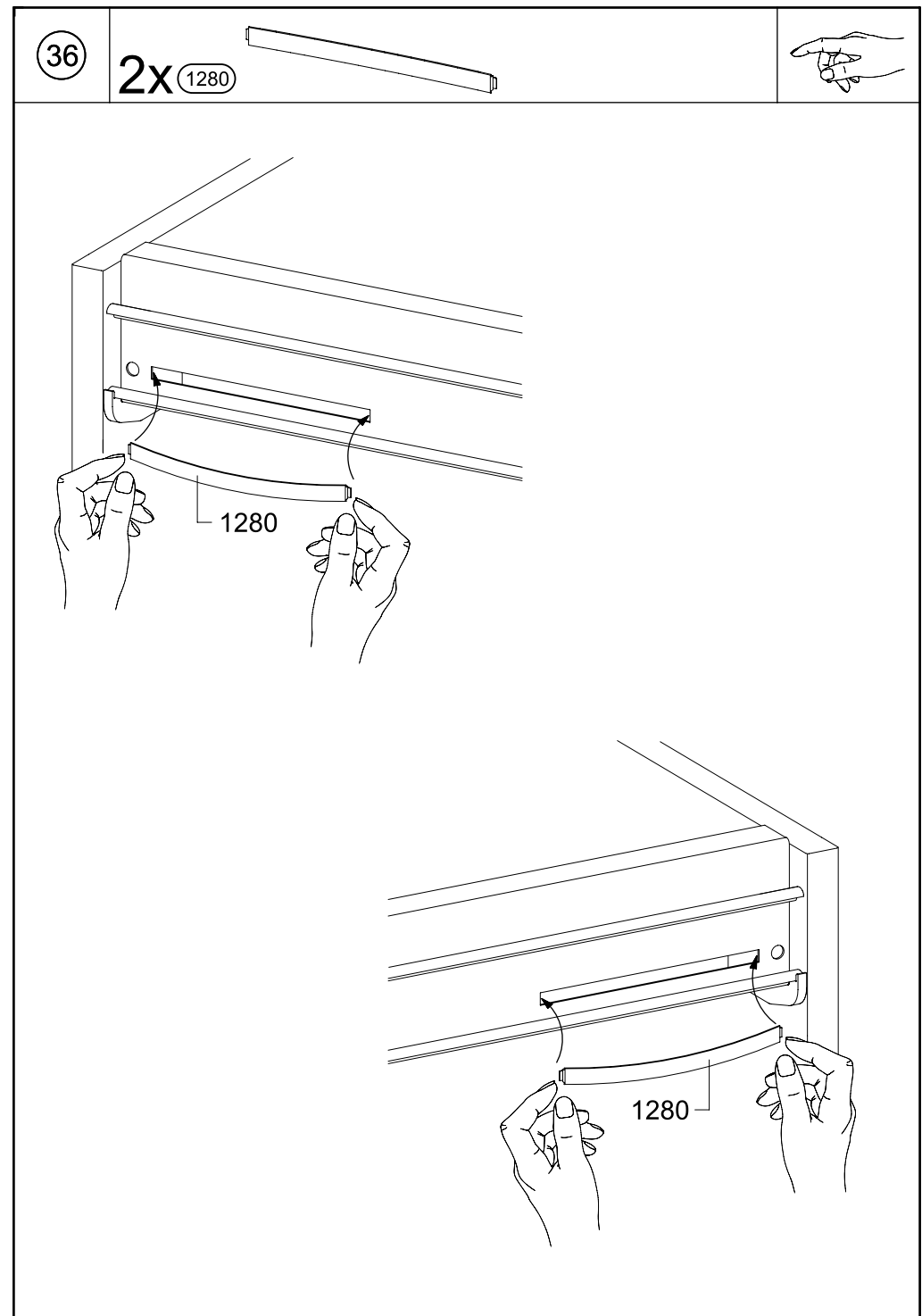
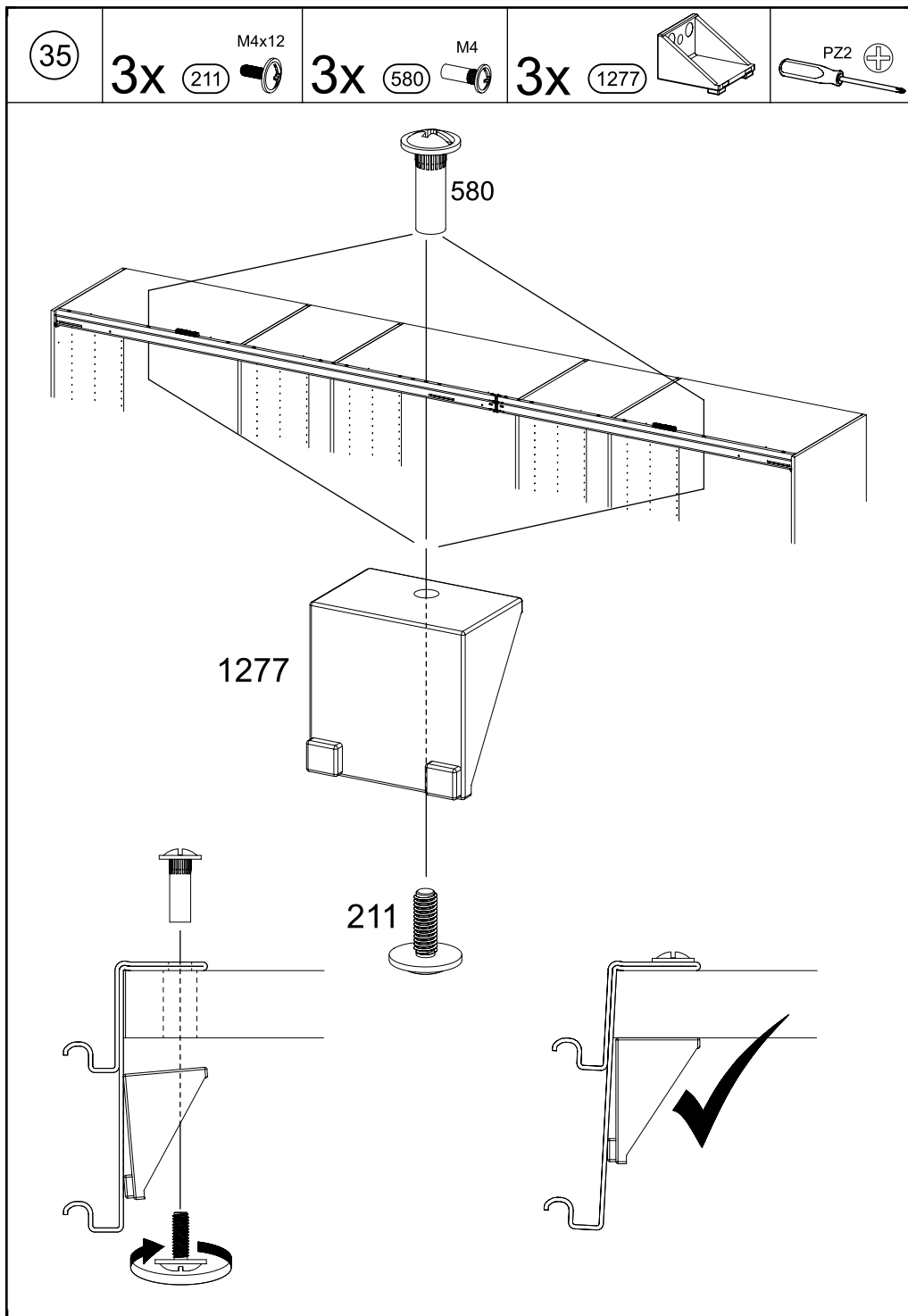


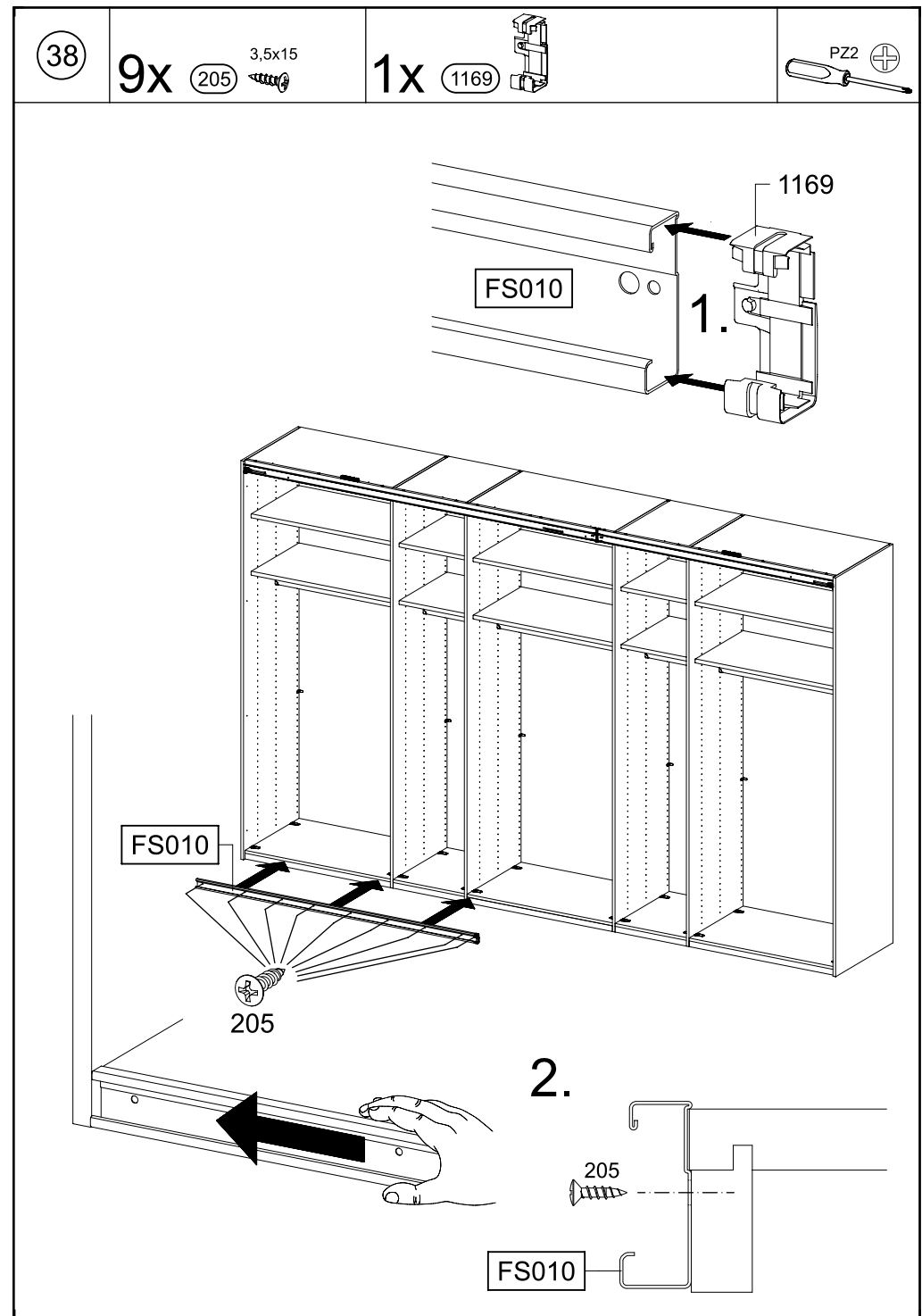
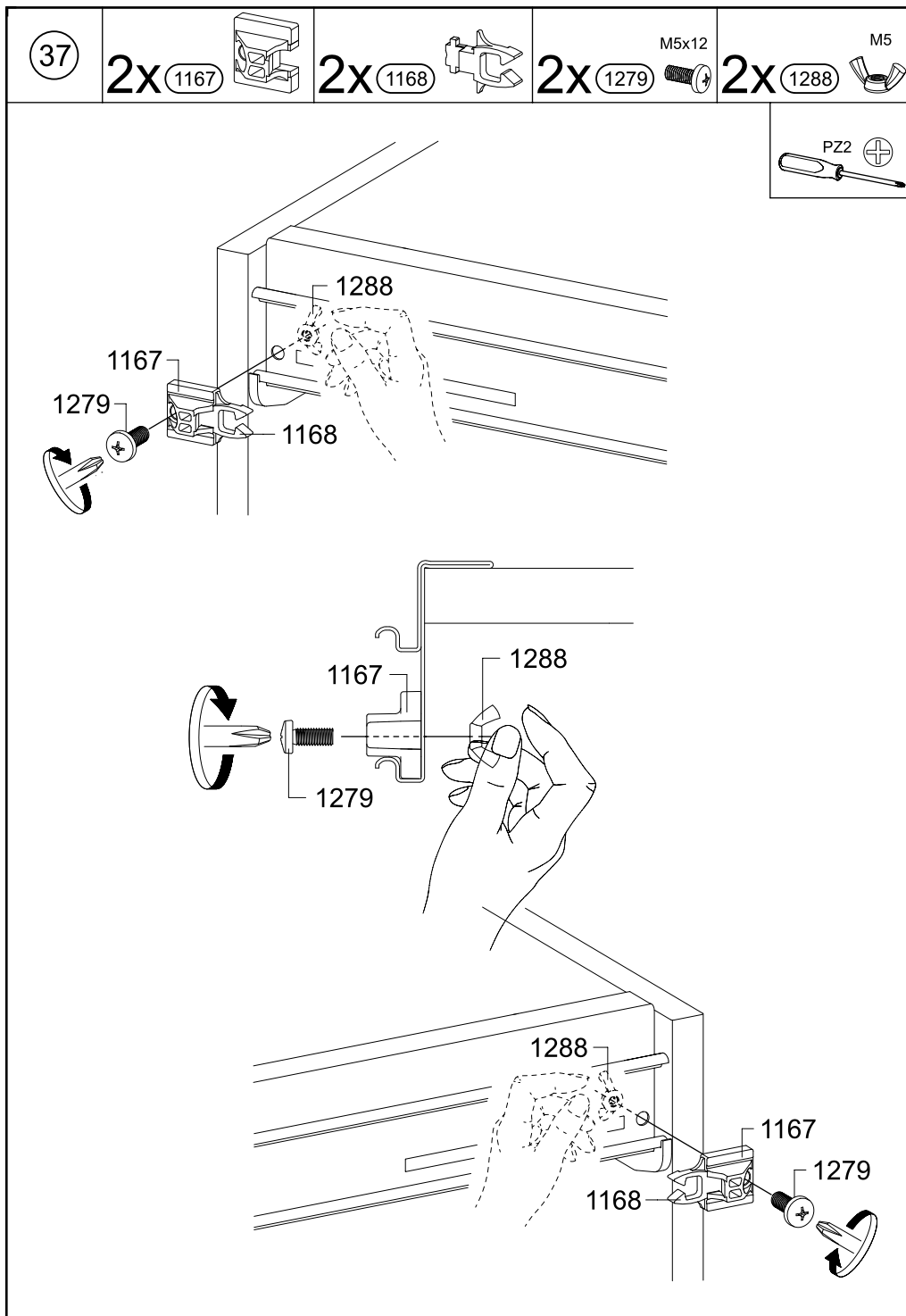
2.

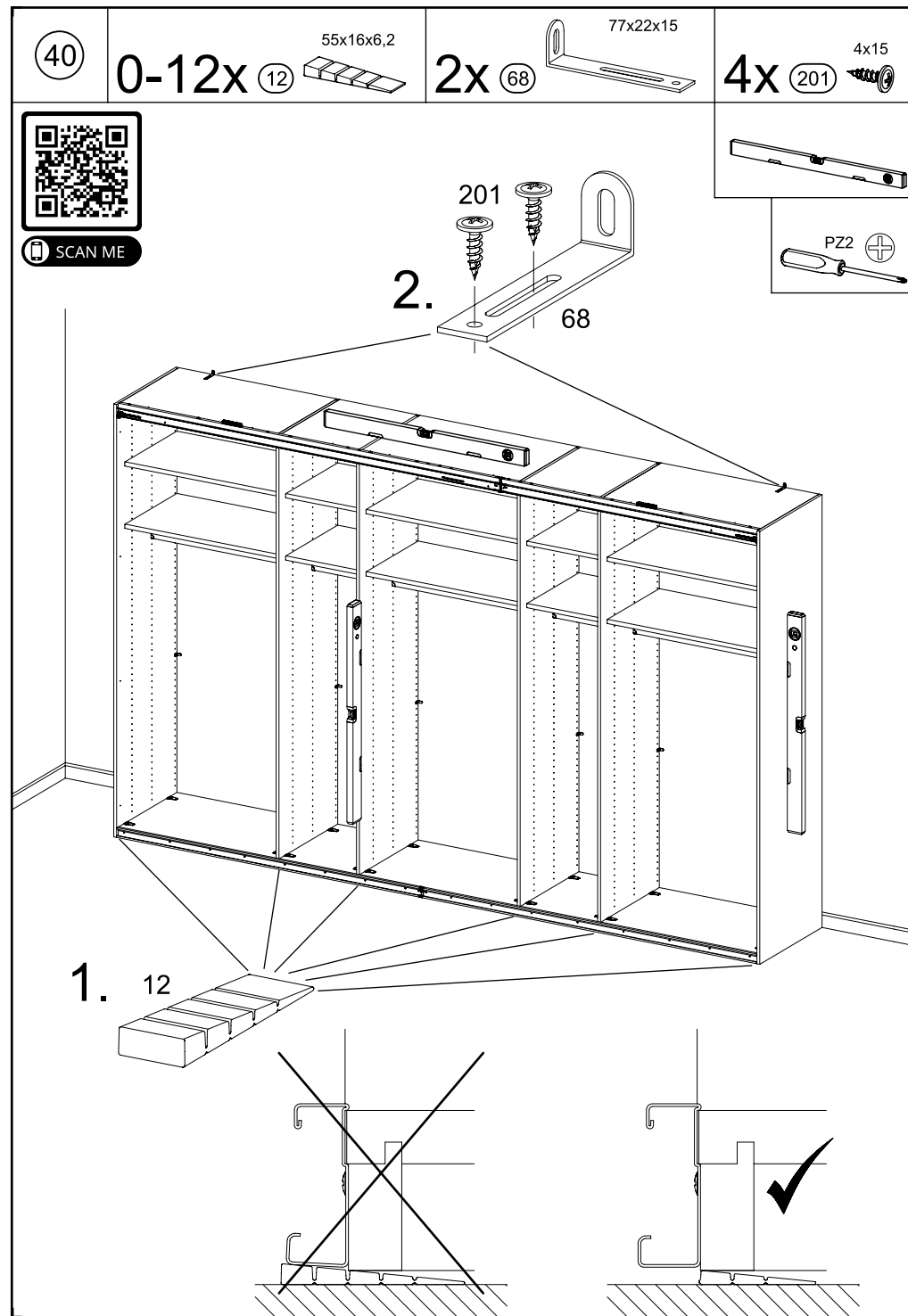
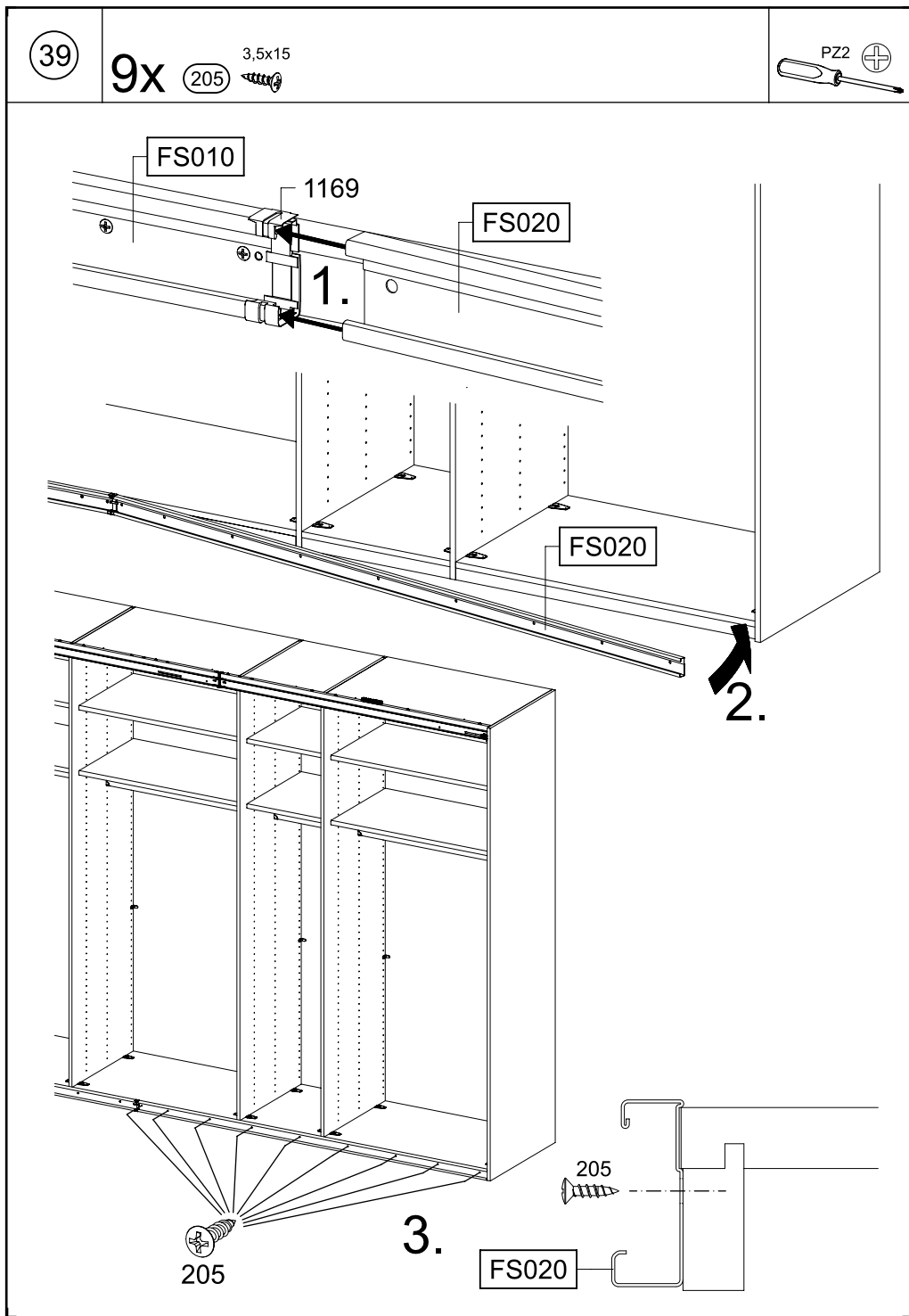


34

11x  $\text{\textcircled{211}}$  M4x1211x  $\text{\textcircled{580}}$  M4



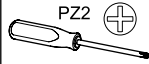




41

20x

45



PZ2

