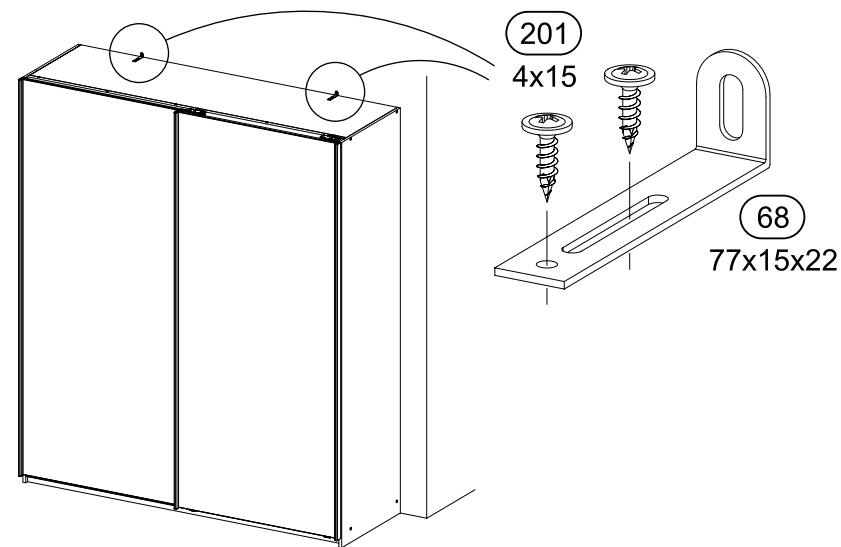
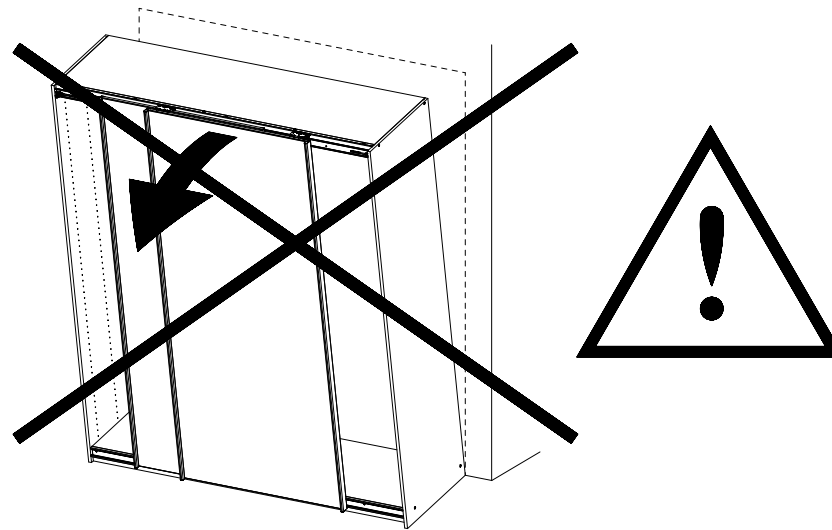
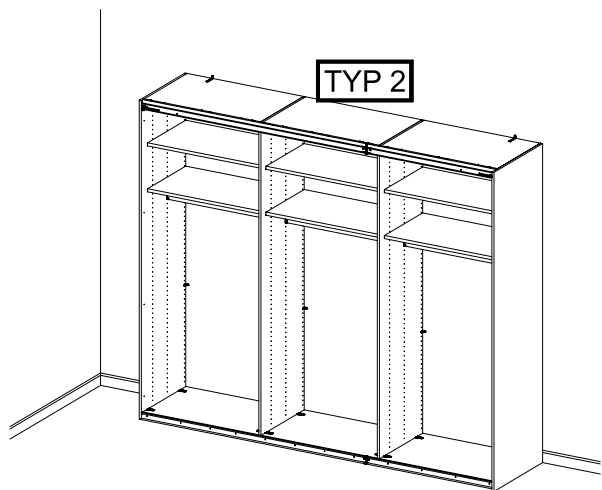
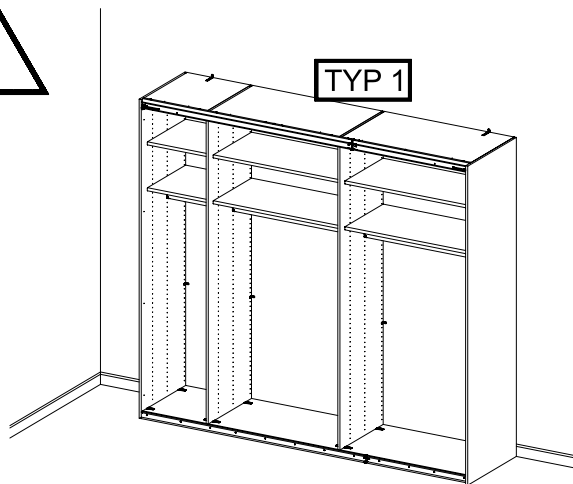
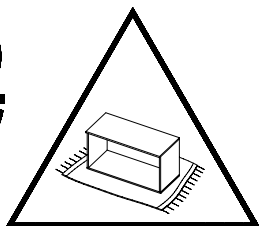
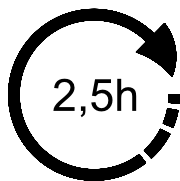
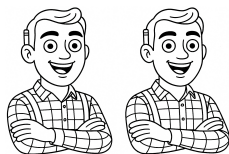
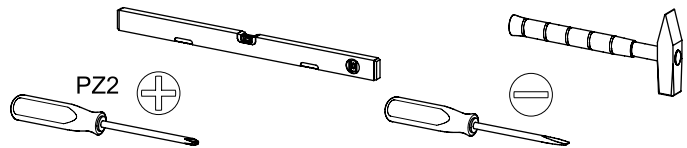


MD144_09



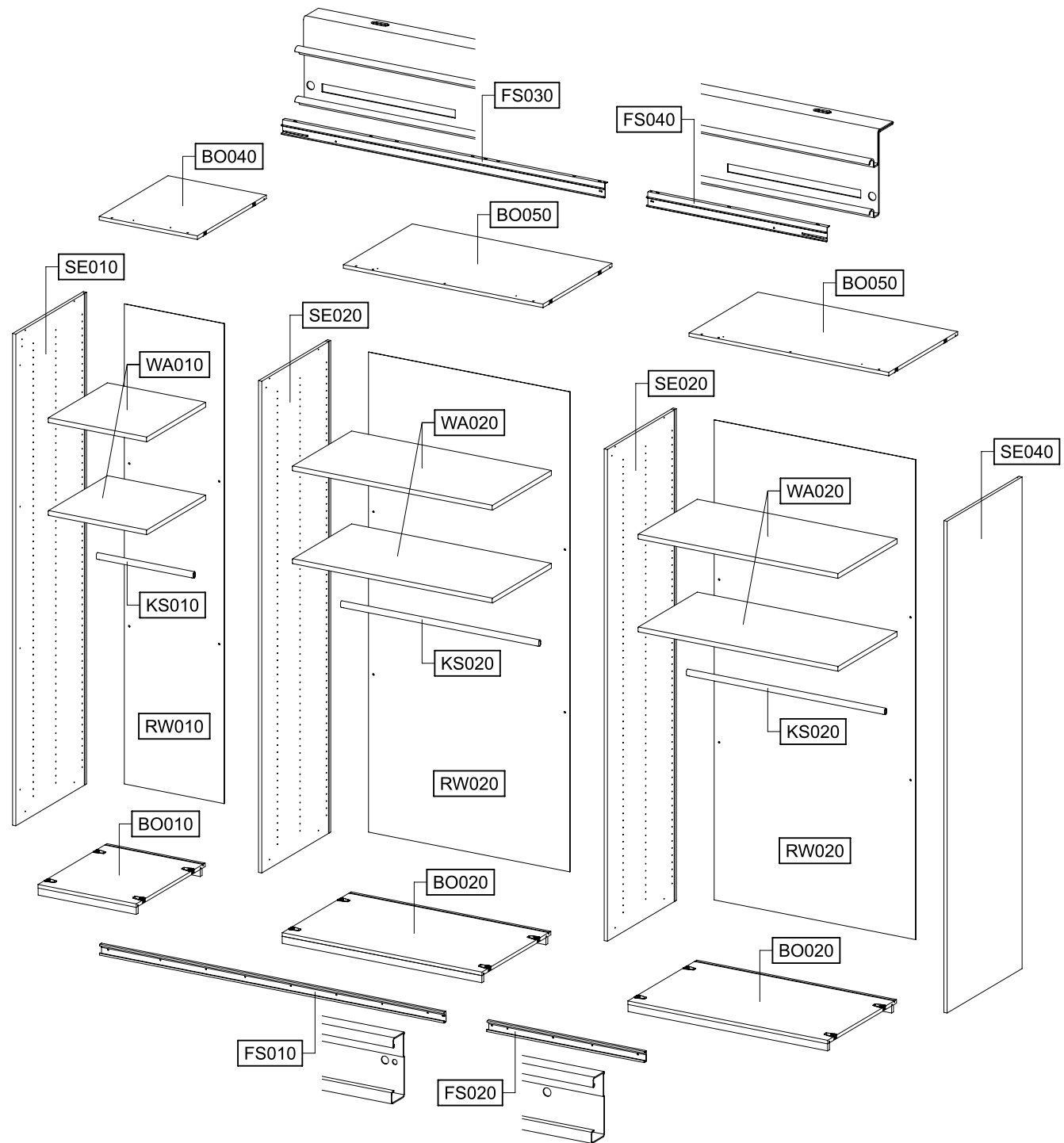
VIDEO



SCAN ME



TYP 1





TYP 2

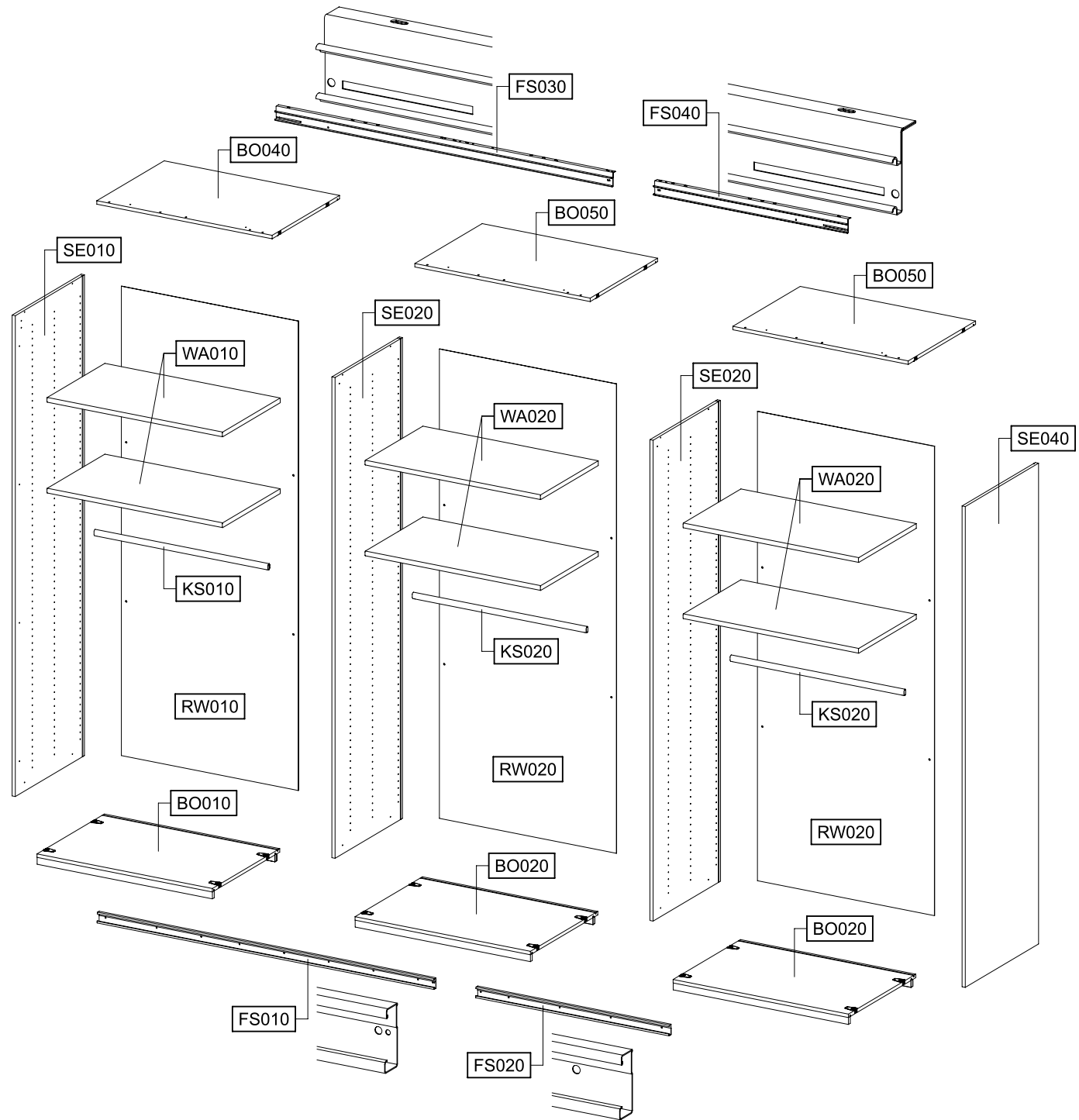
BO010 = BO020

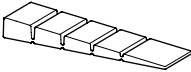
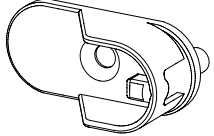
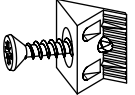

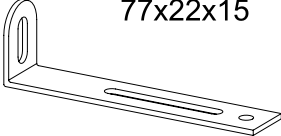



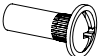
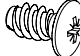

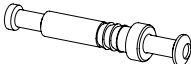

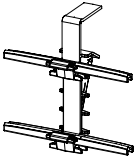
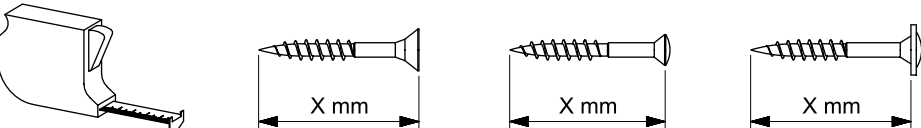
BO040 = BO050

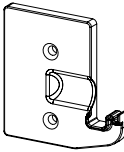
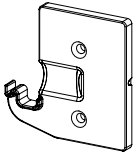
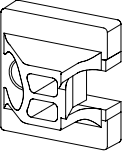
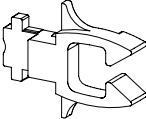
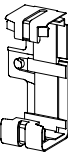
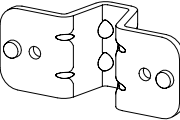
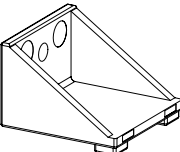
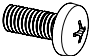
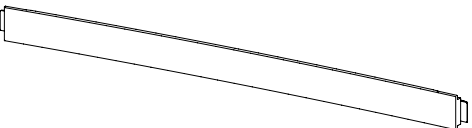


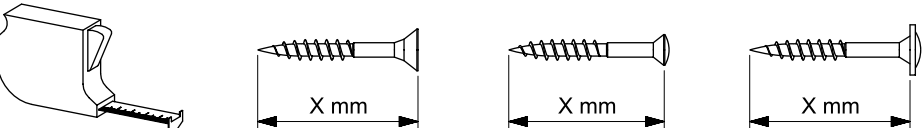
WA010 = WA020

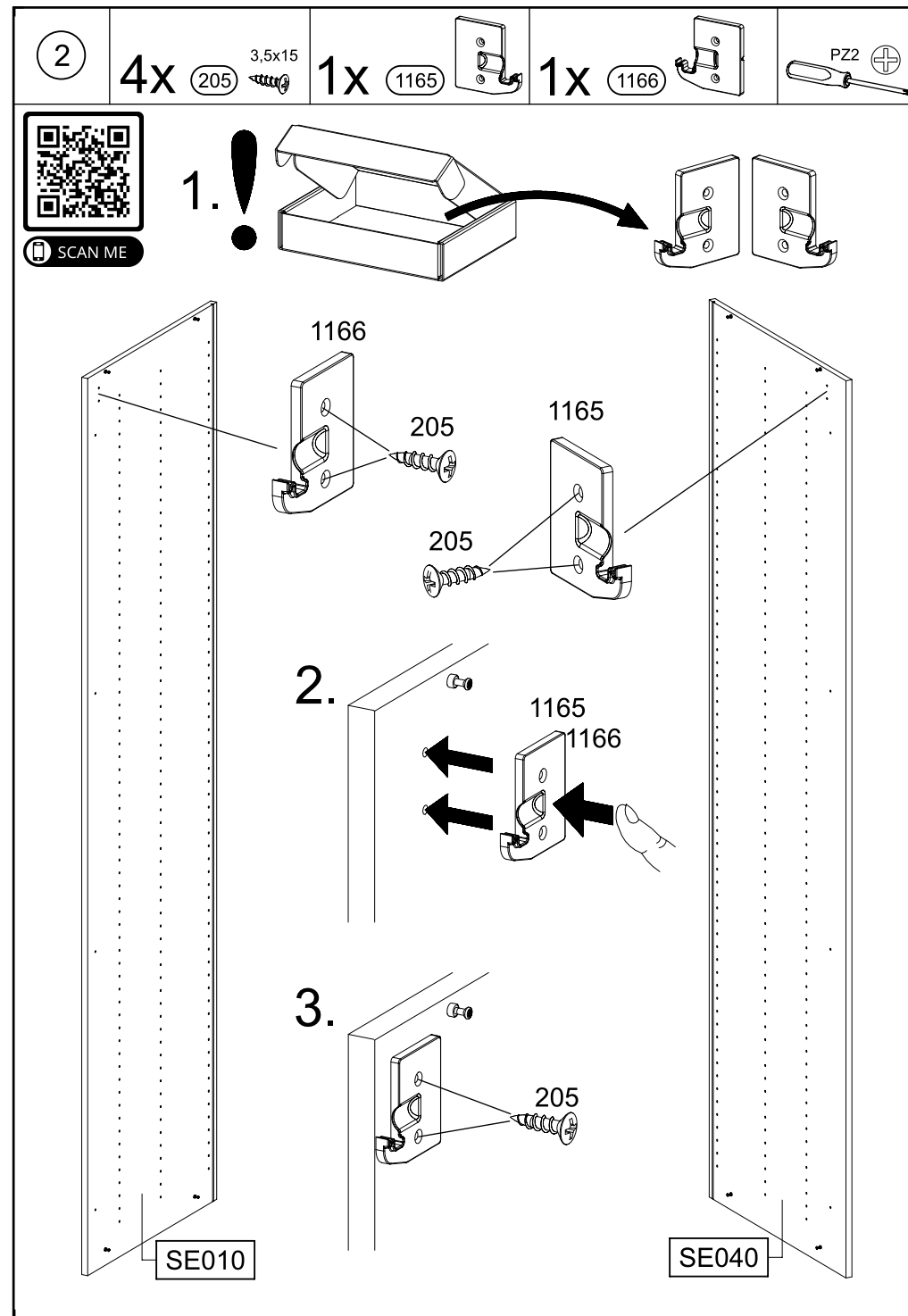
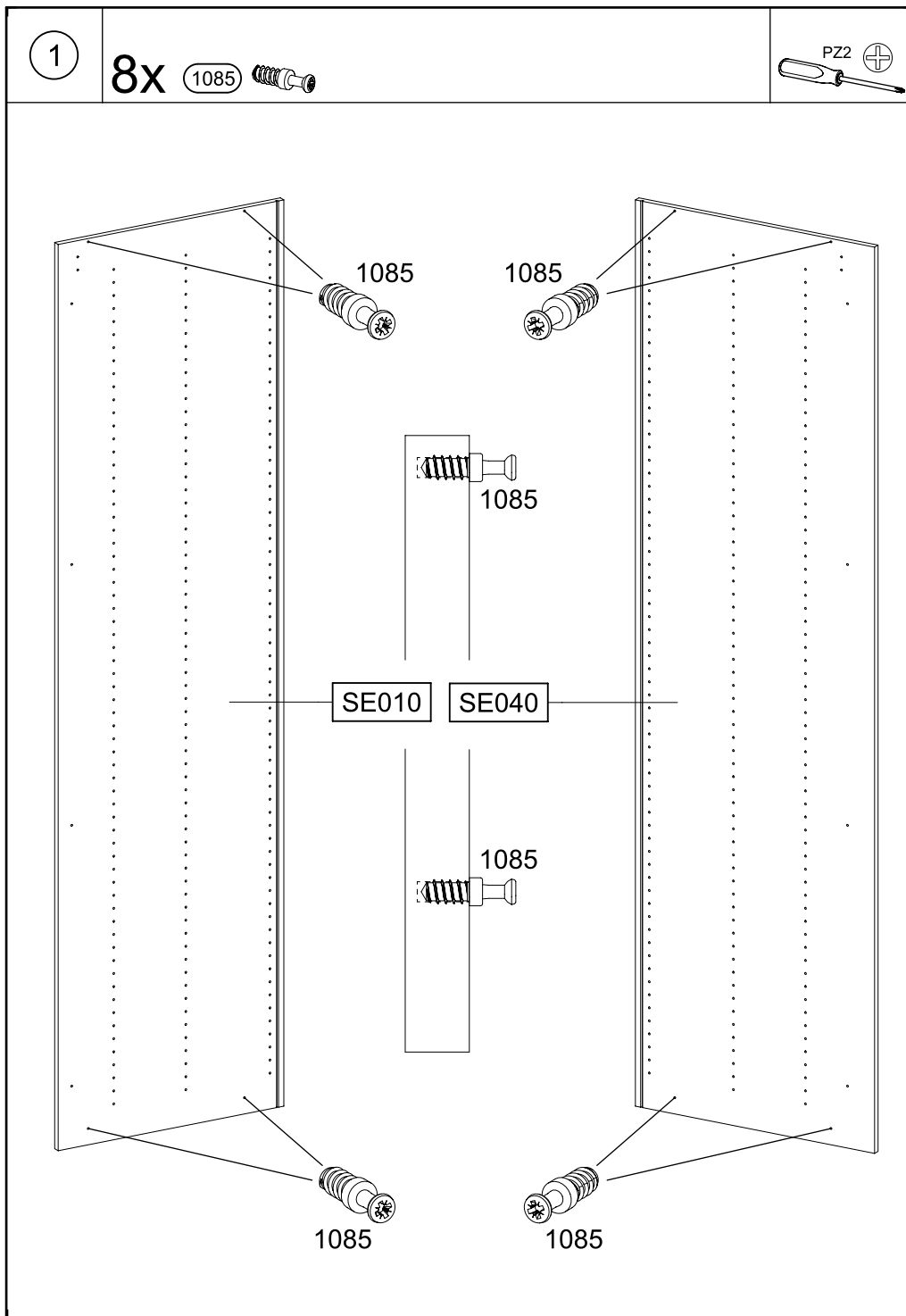
KS010 = KS020

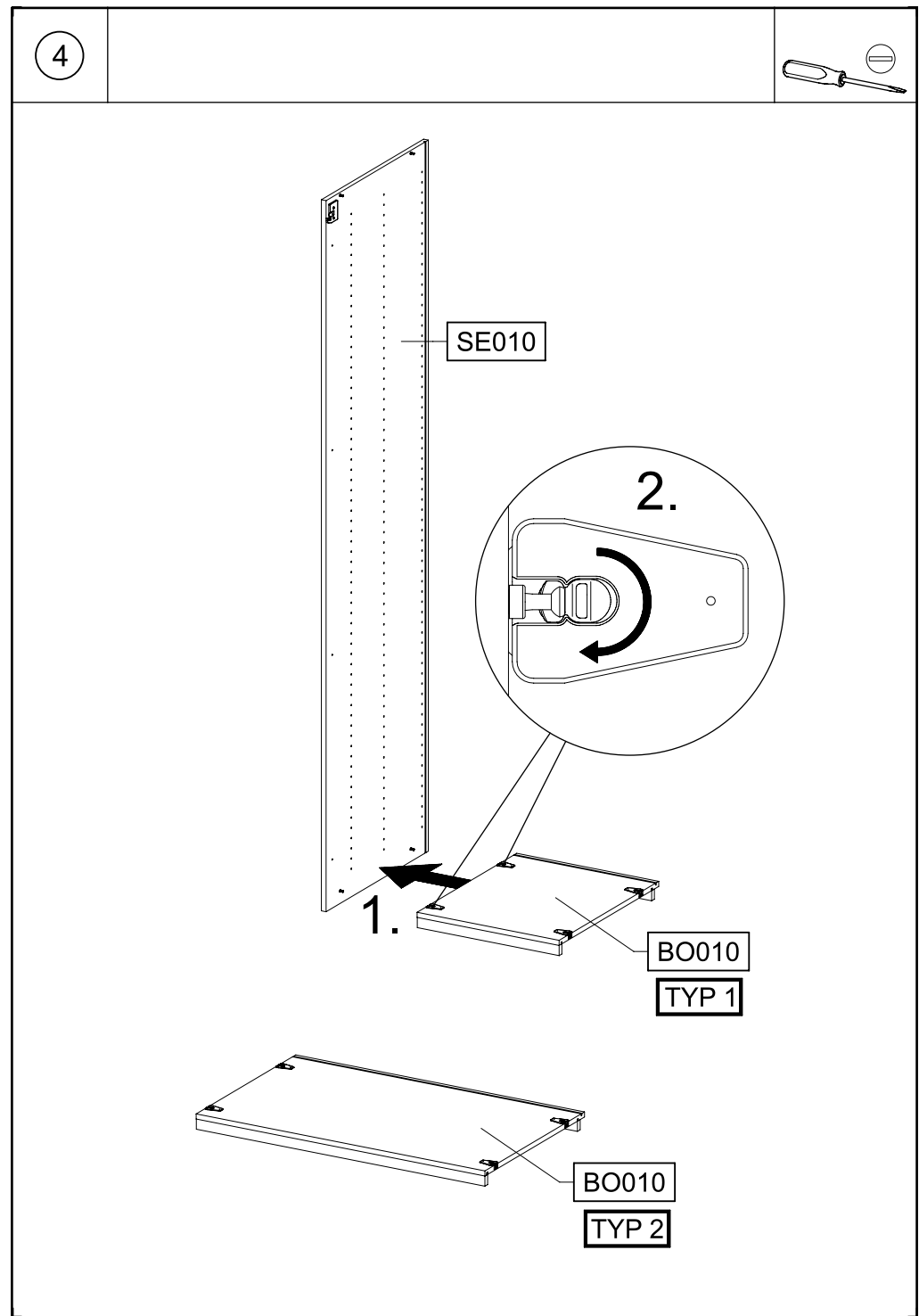
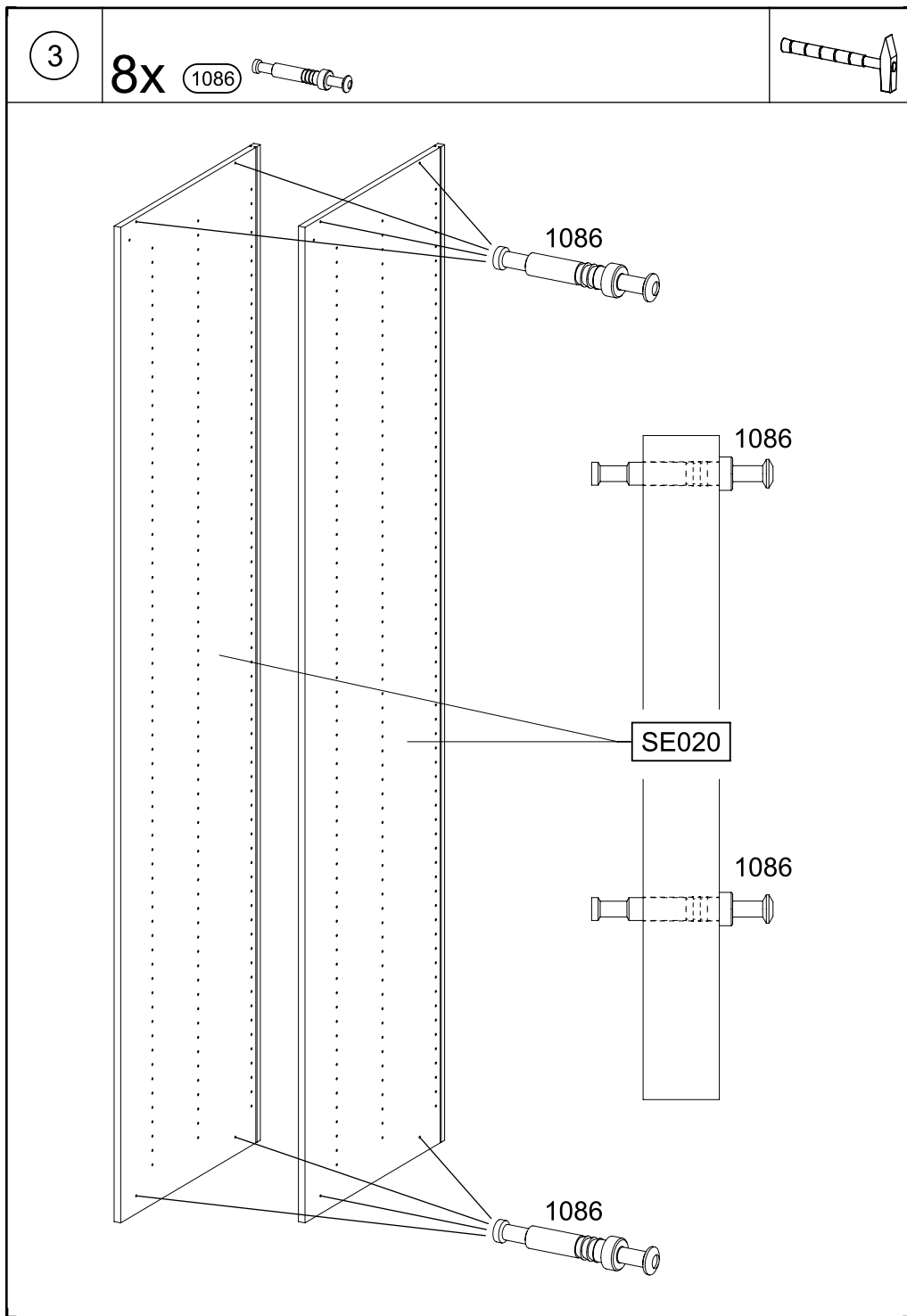
RW010 = RW020

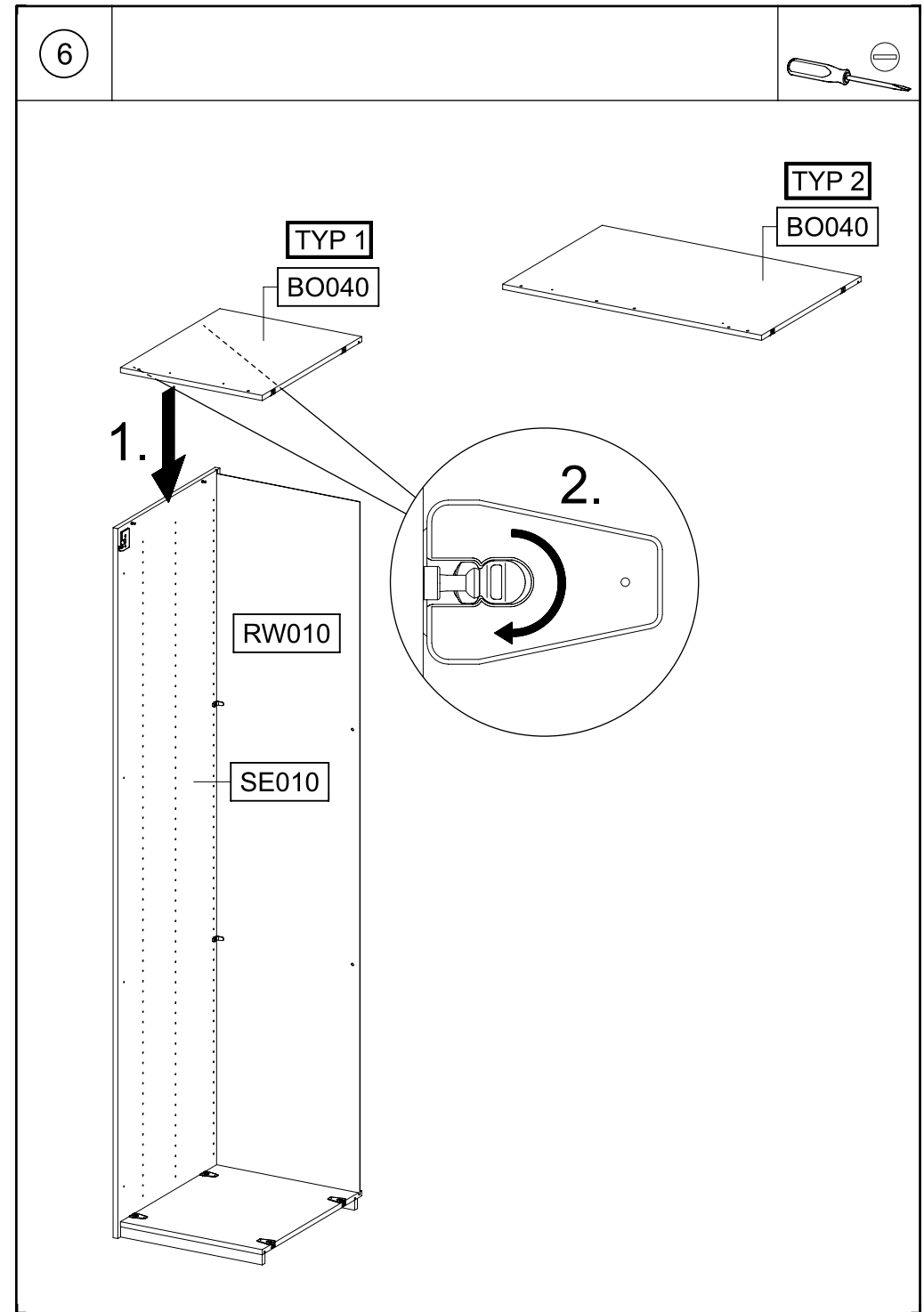
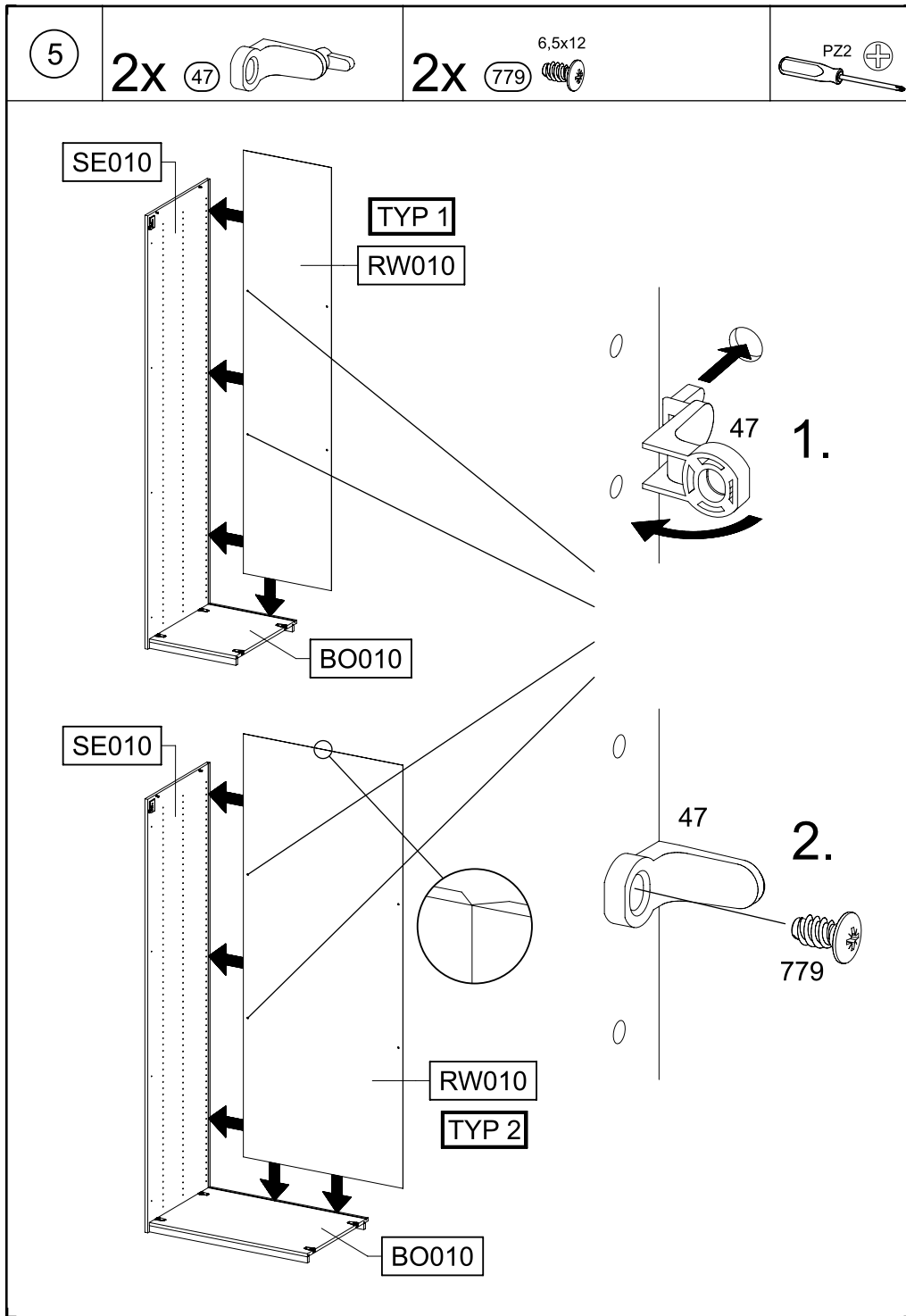


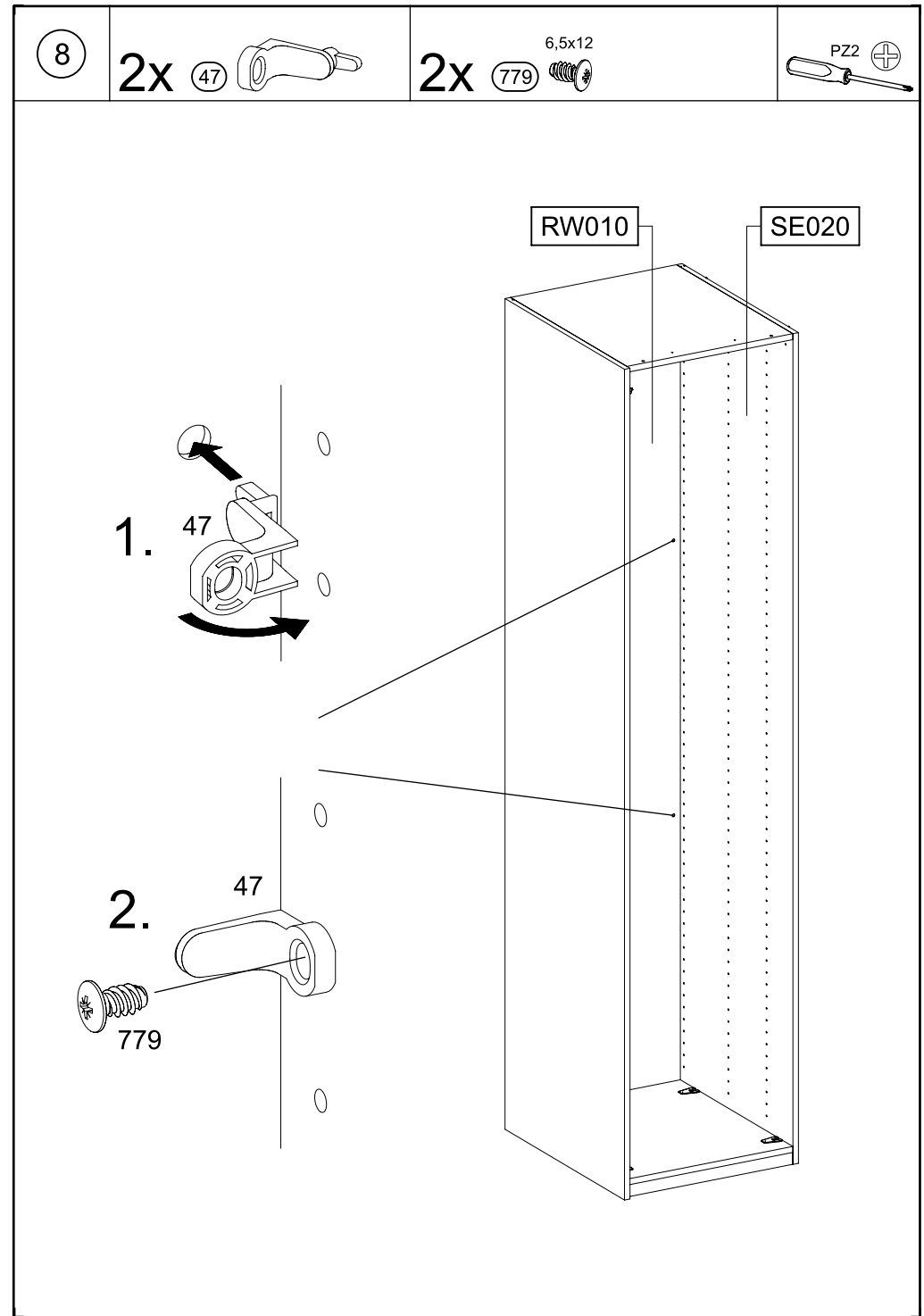
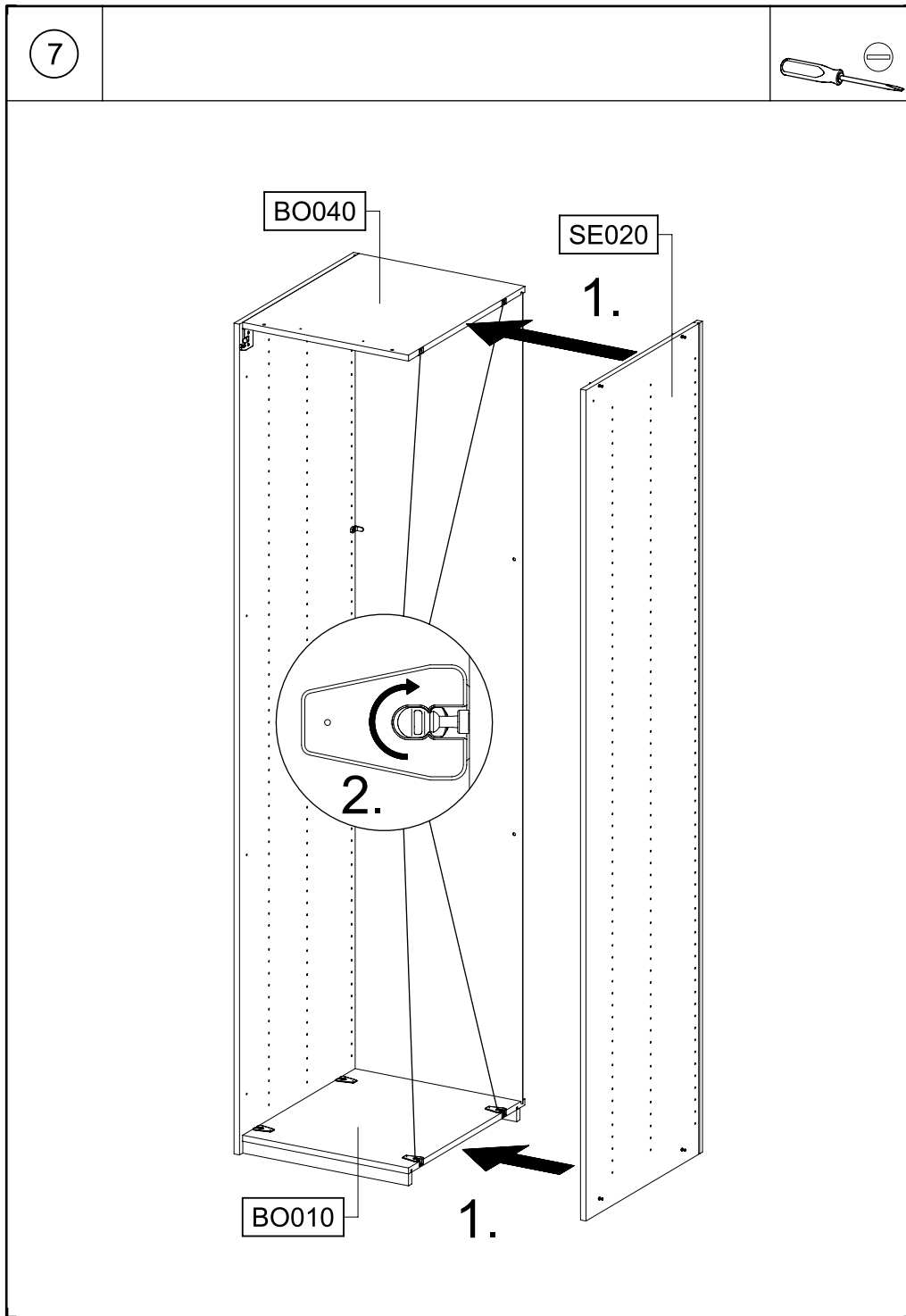
0-8x 55x16x6,2  (12)	6x  (29)
12x  (45)	12x  (47)
2x 77x22x15  (68)	4x 4x15  (201)
24-25x 3,5x15  (205)	9-10x M4x12  (211)
9-10x M4  (580)	12x 6,5x12  (779)
8x  (1085)	8x  (1086)
24x  (1089)	1x  (1163)
	

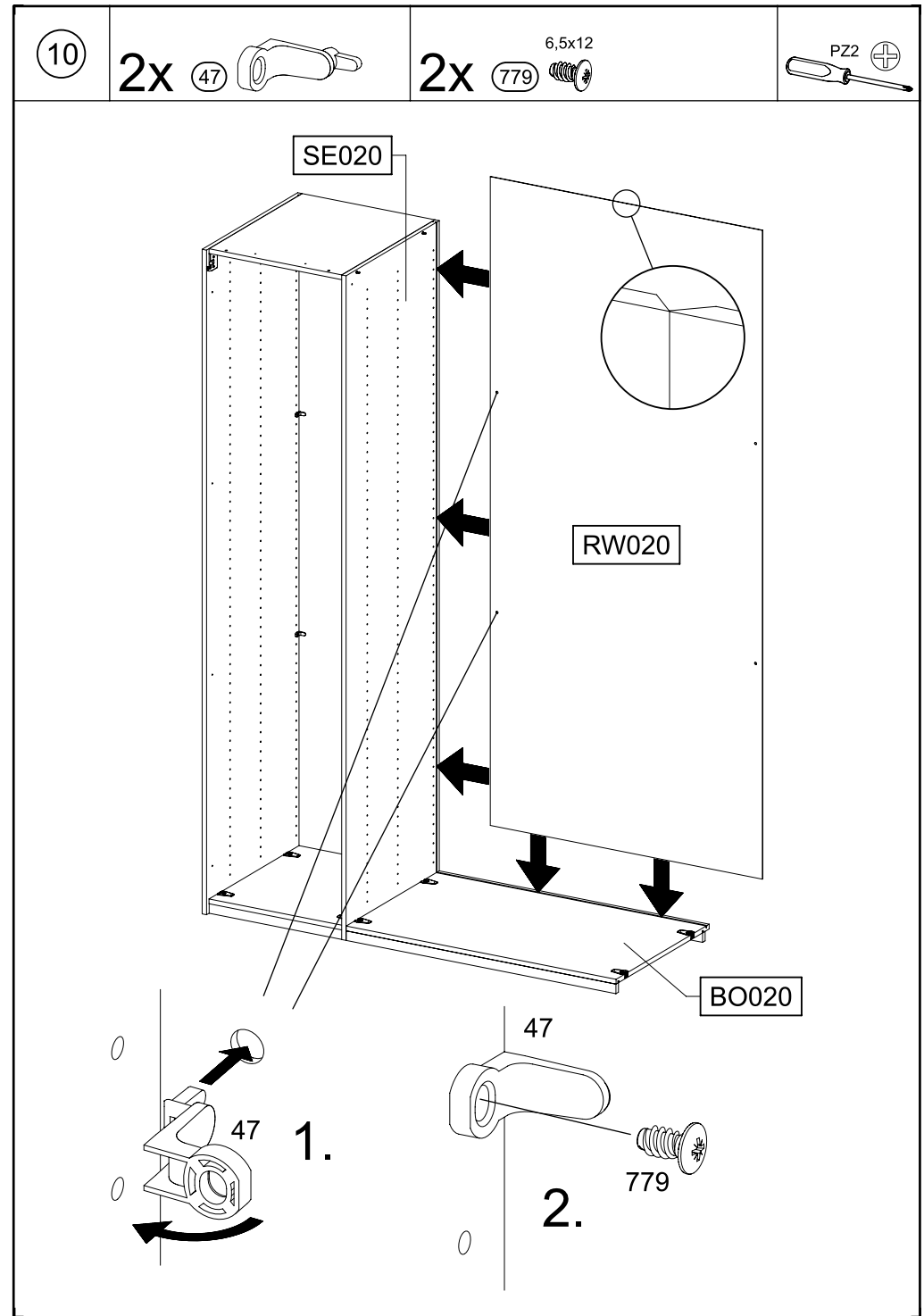
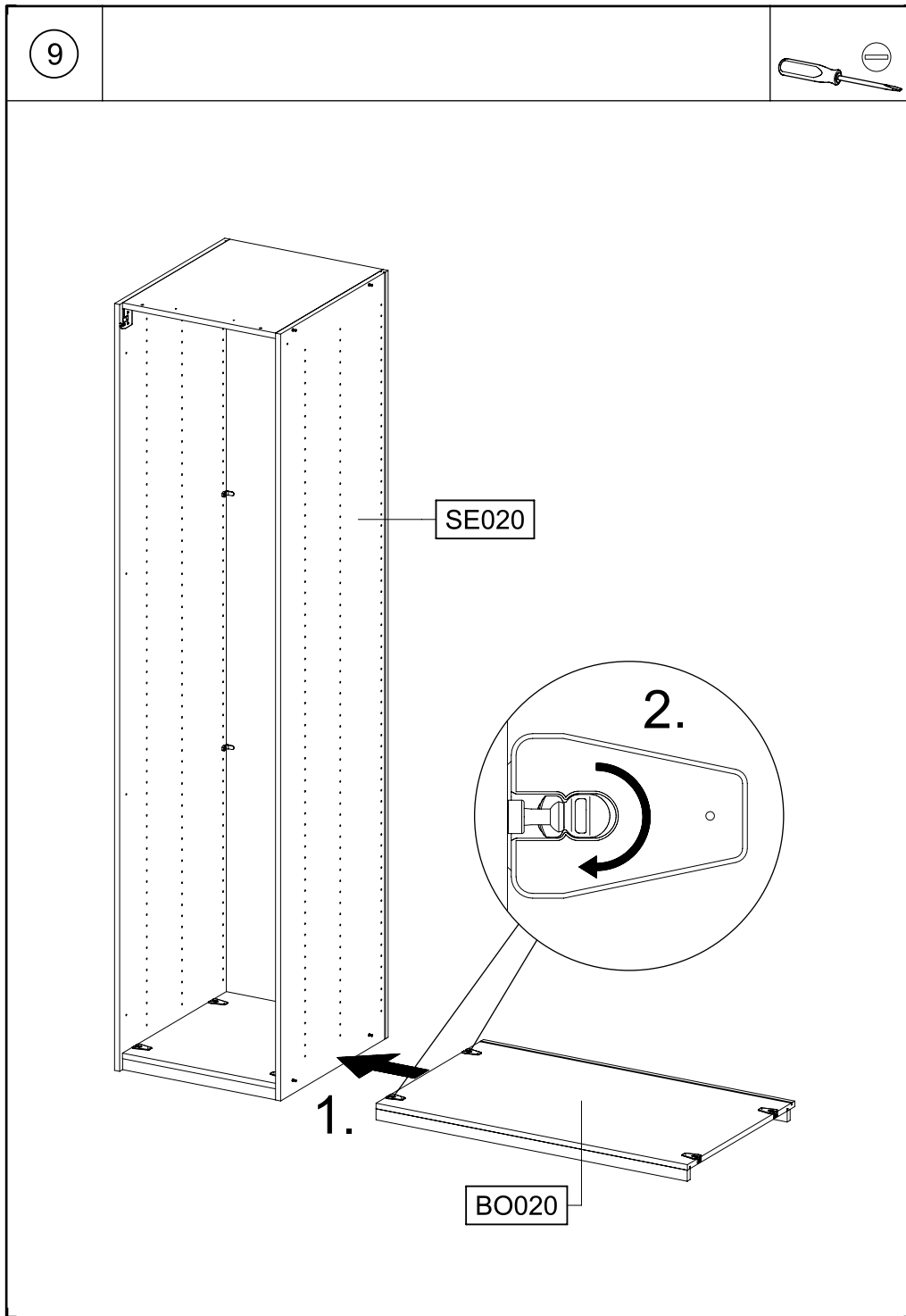
1x  (1165)	1x  (1166)
2x  (1167)	2x  (1168)
1x  (1169)	1x  (1450)
2-3x  (1277)	2x M5x12  (1279)
2x  (1280)	2x M5  (1288)
2x M5x8  (1449)	
	

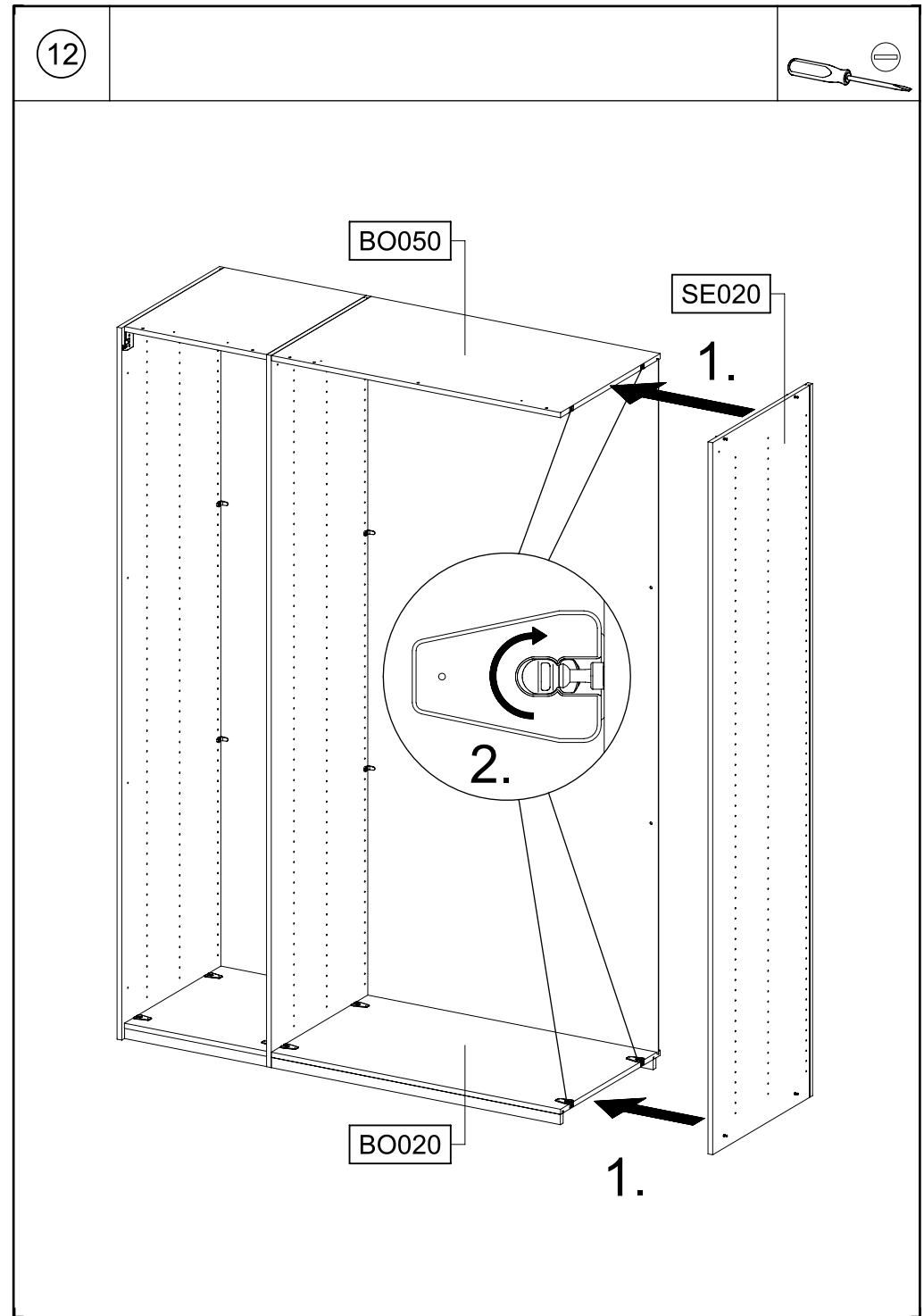
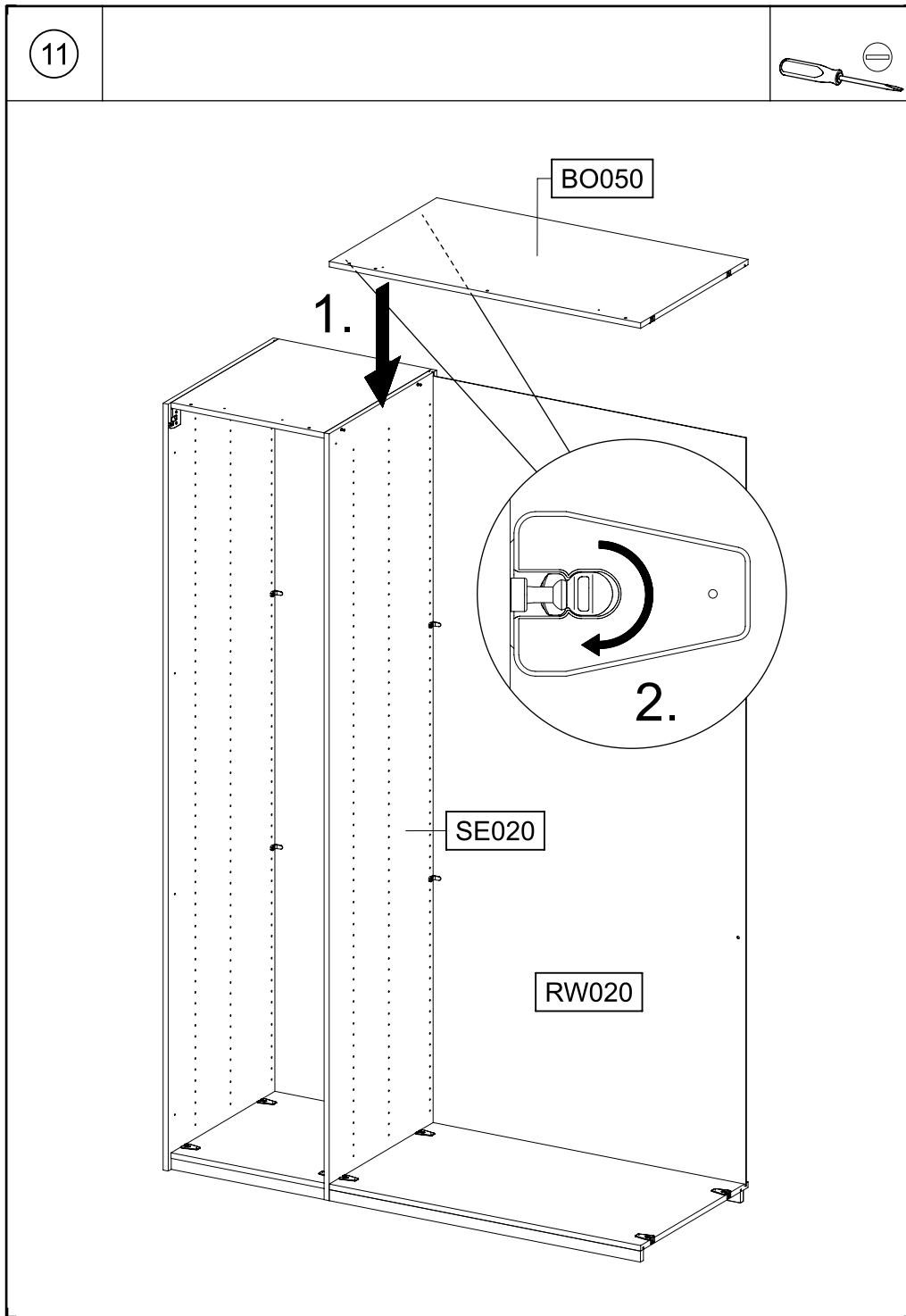












13

2x

47



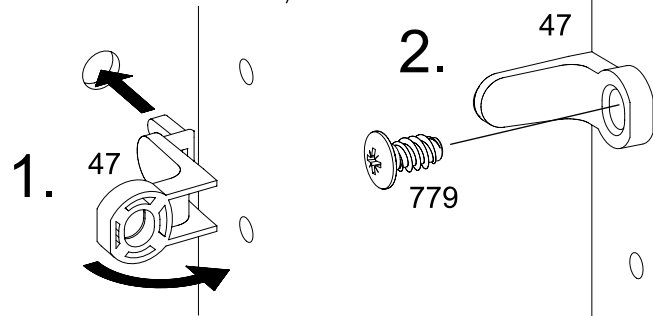
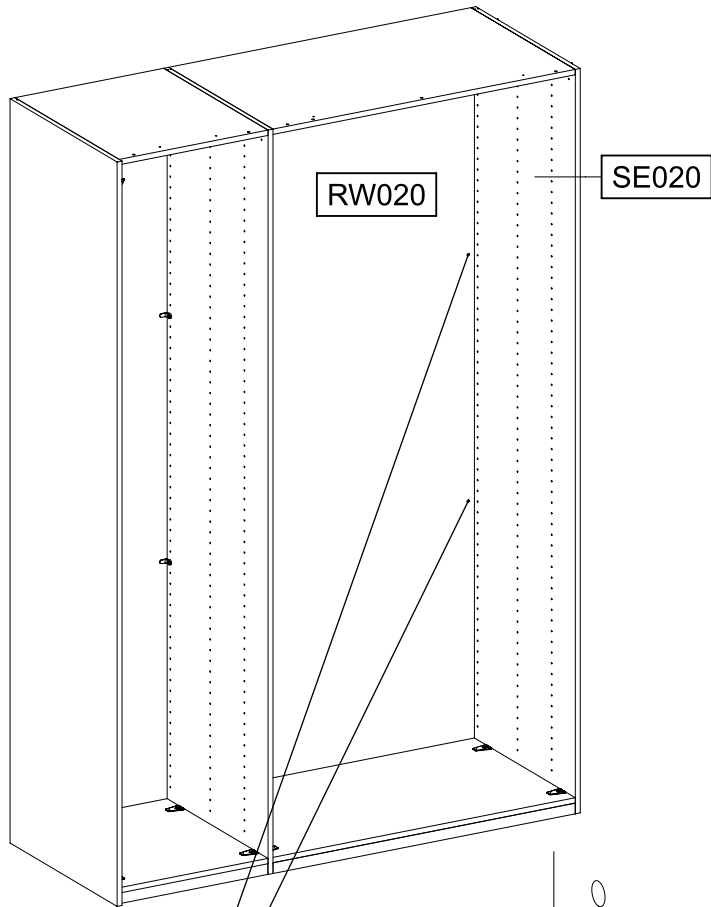
2x

779

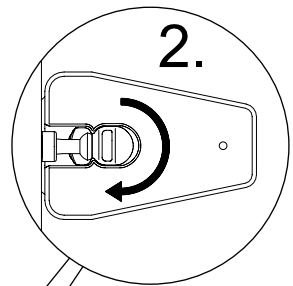
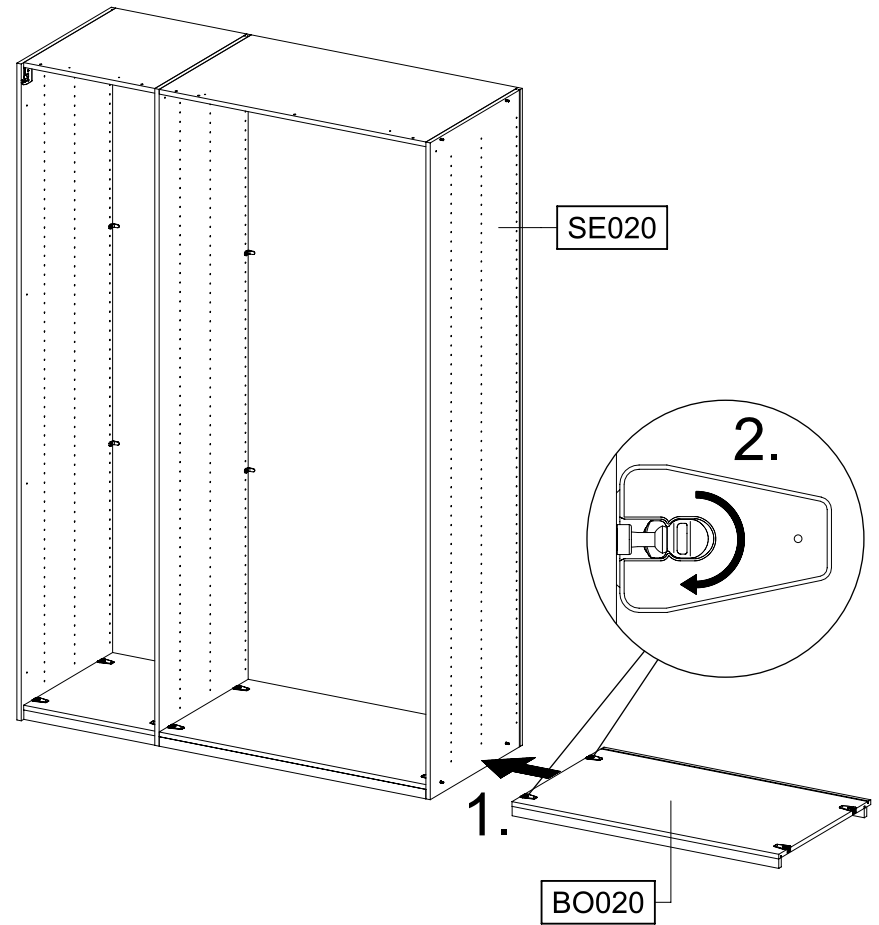
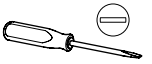
6,5x12



PZ2



14



15

2x

47



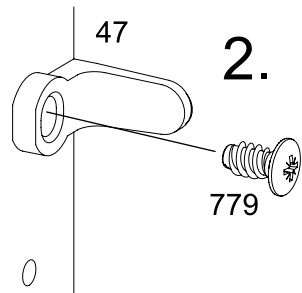
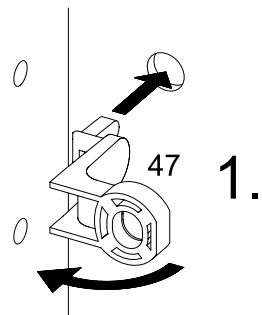
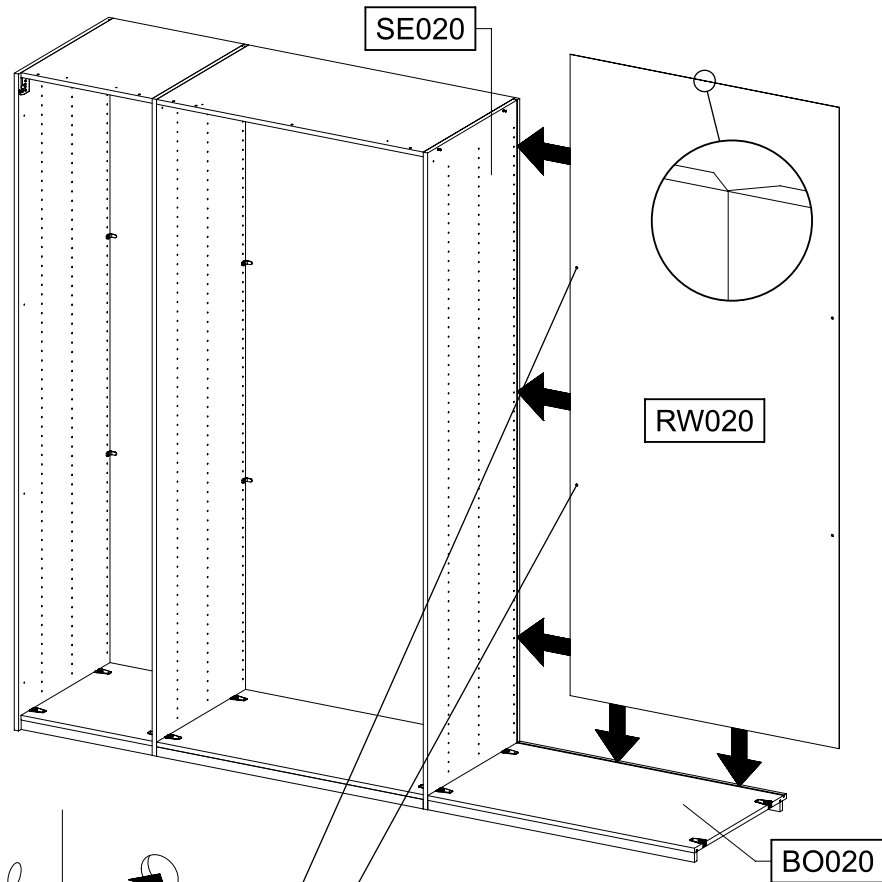
2x

779

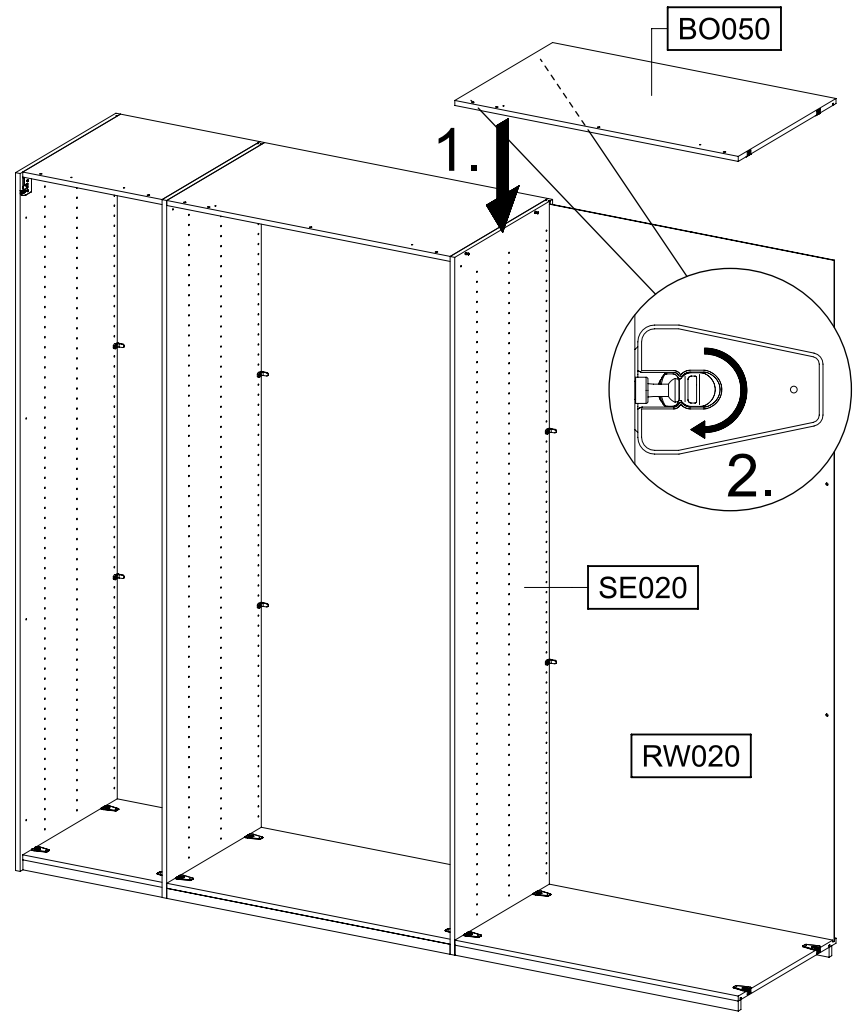
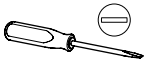
6,5x12



PZ2



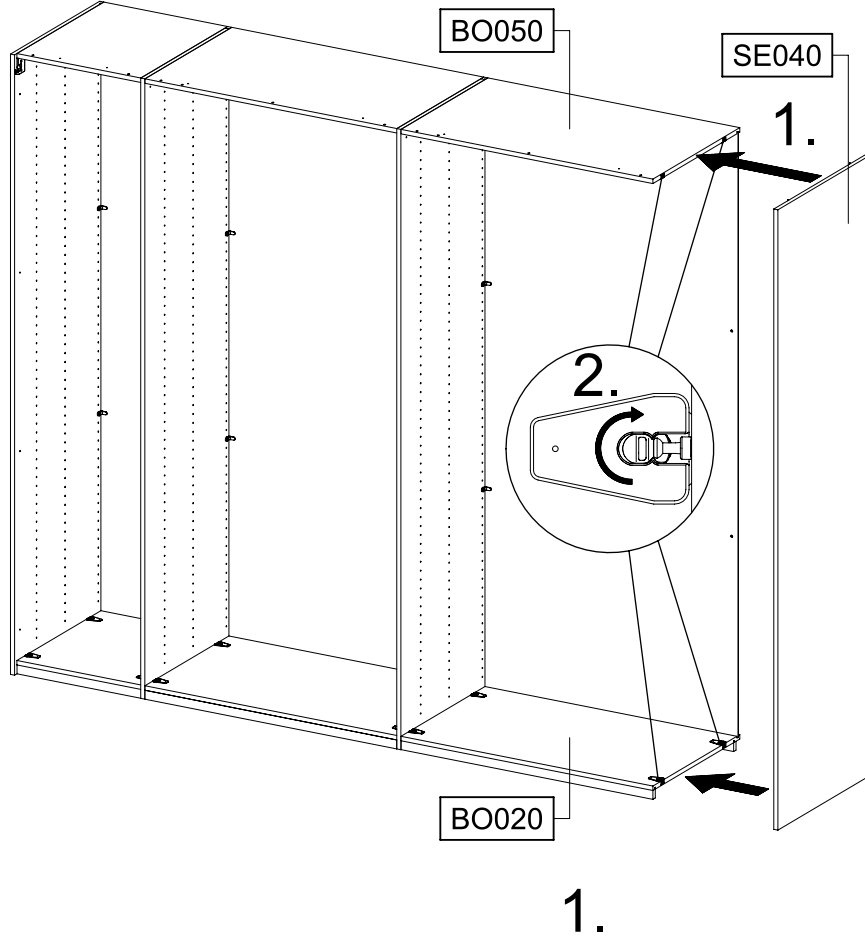
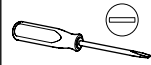
16



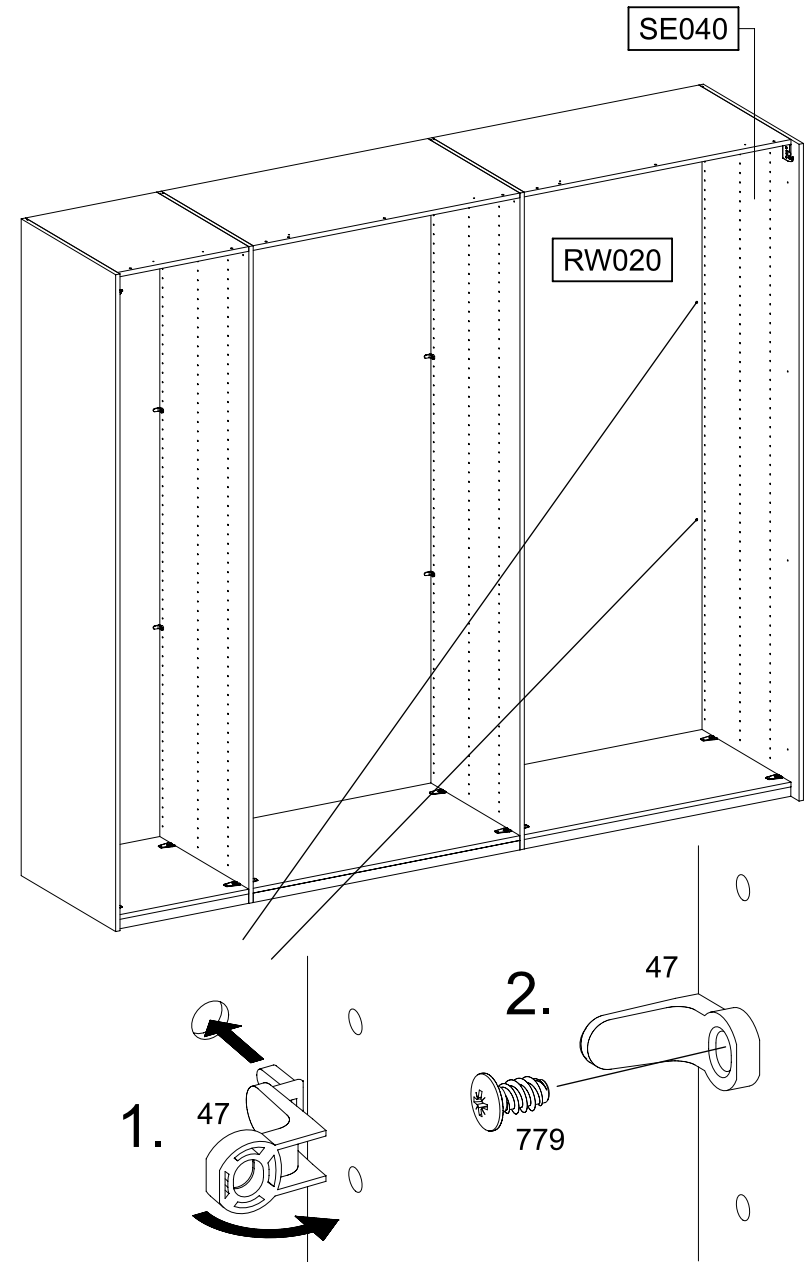
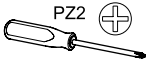
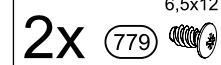
1.

2.


17

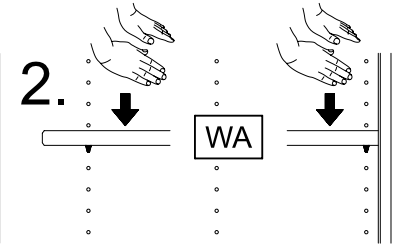
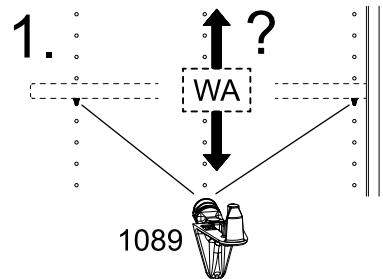
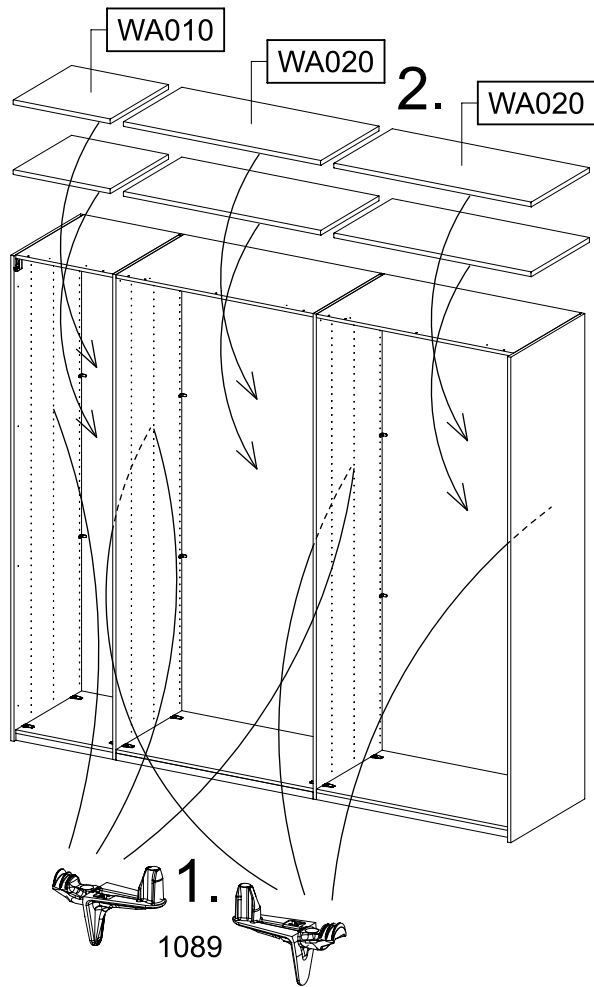


18



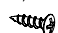
19


24x 1089 

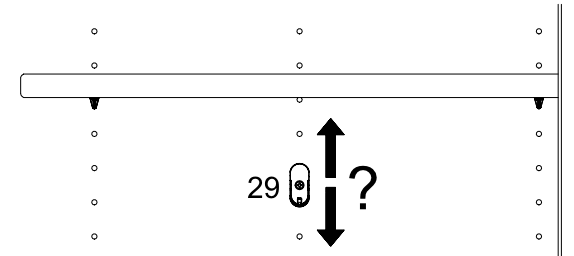
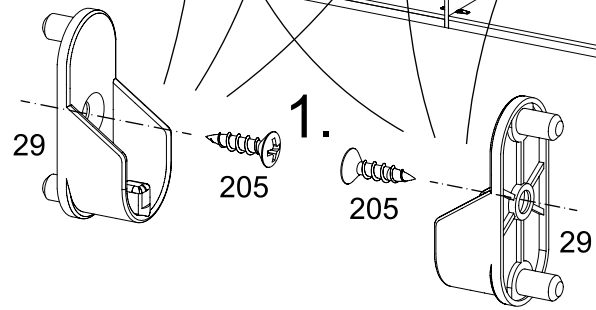
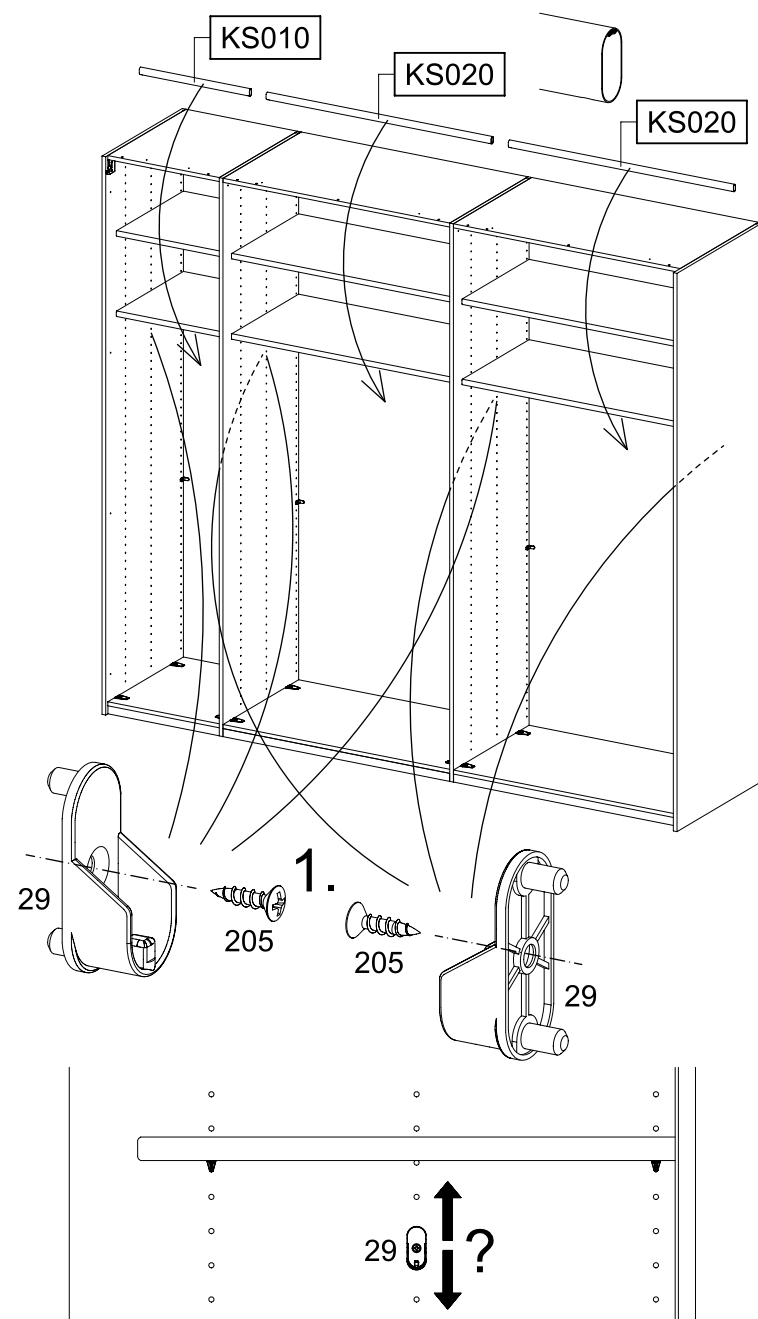


20

6x 29 

6x 205 3,5x15 

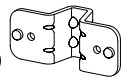
PZ2 



21

1x

1450



2x

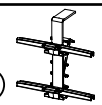
1449

M5x8

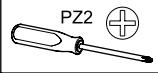


1x

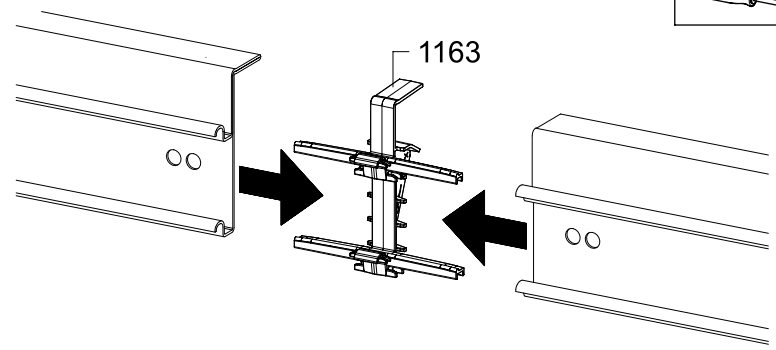
1163



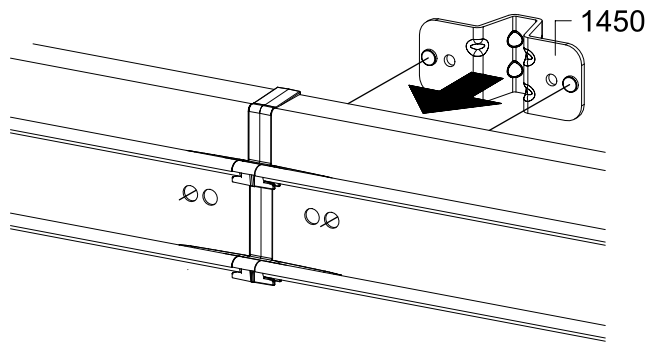
SCAN ME



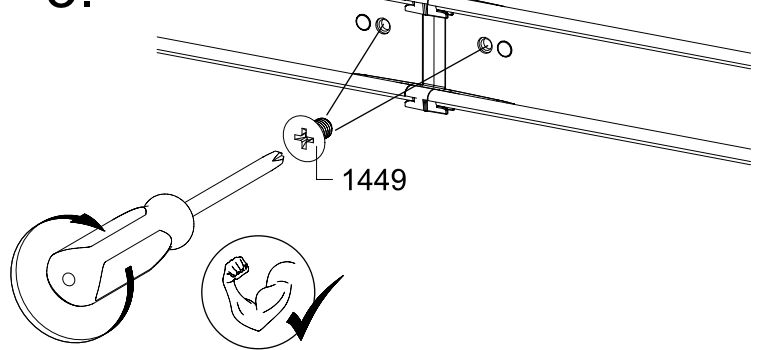
1.



2.

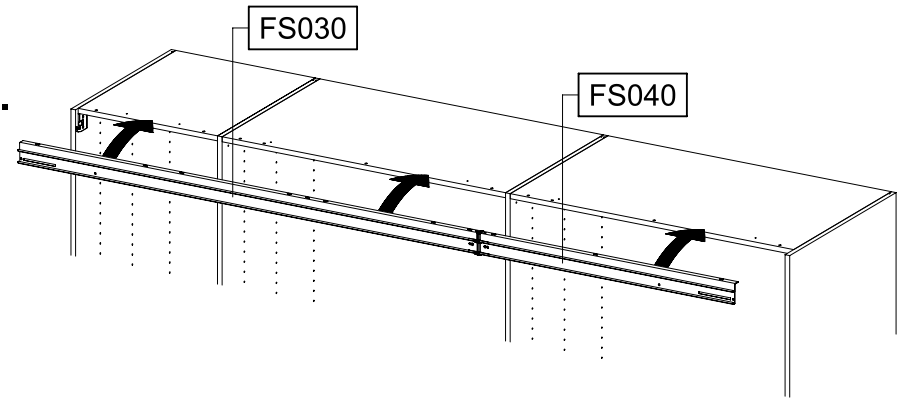


3.

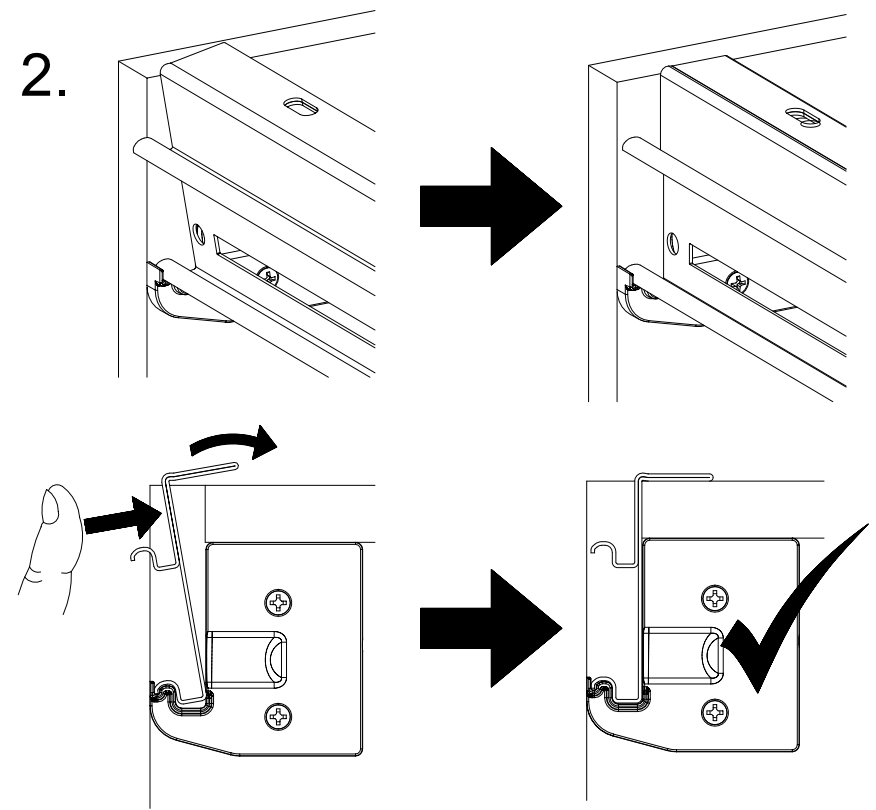


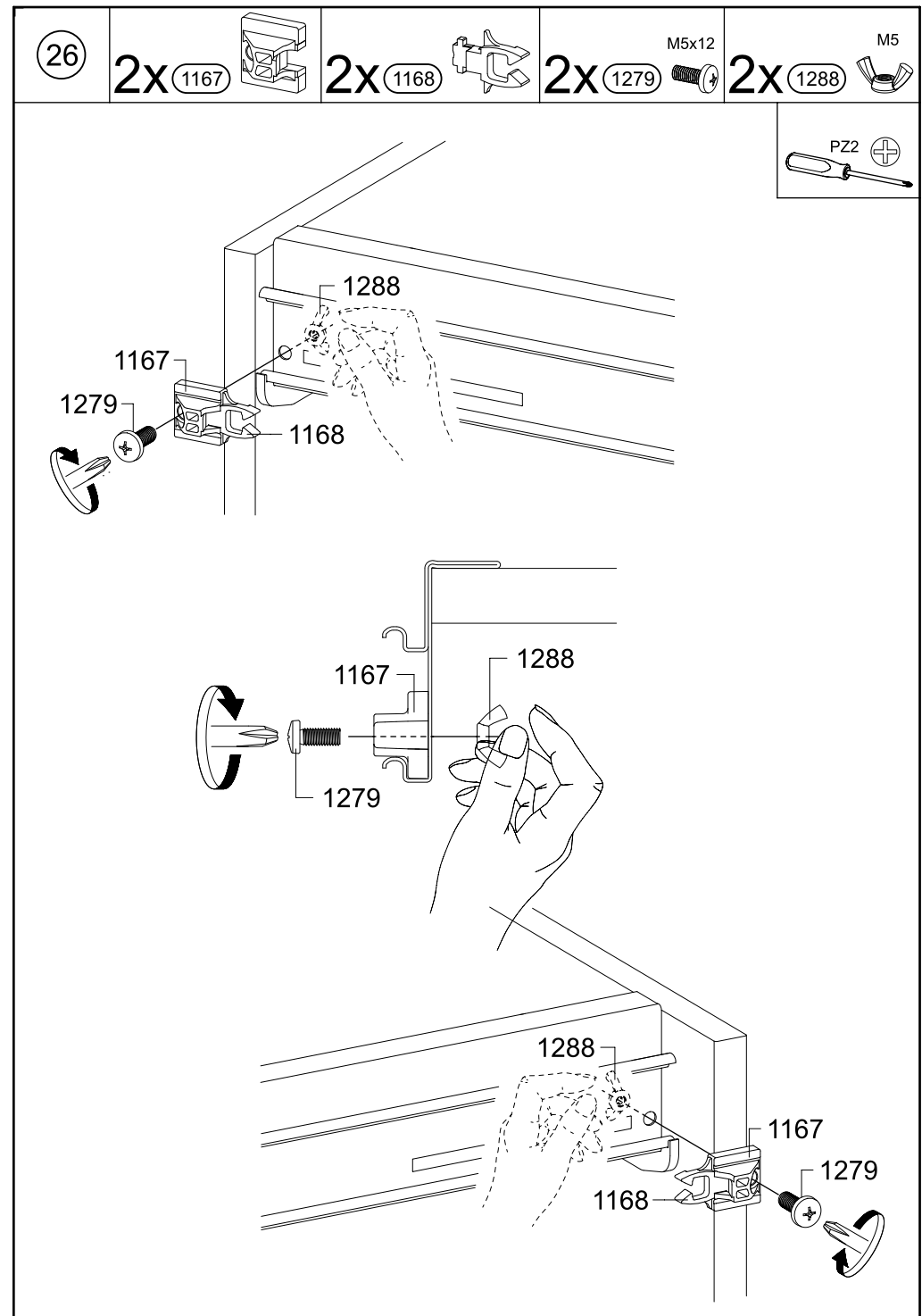
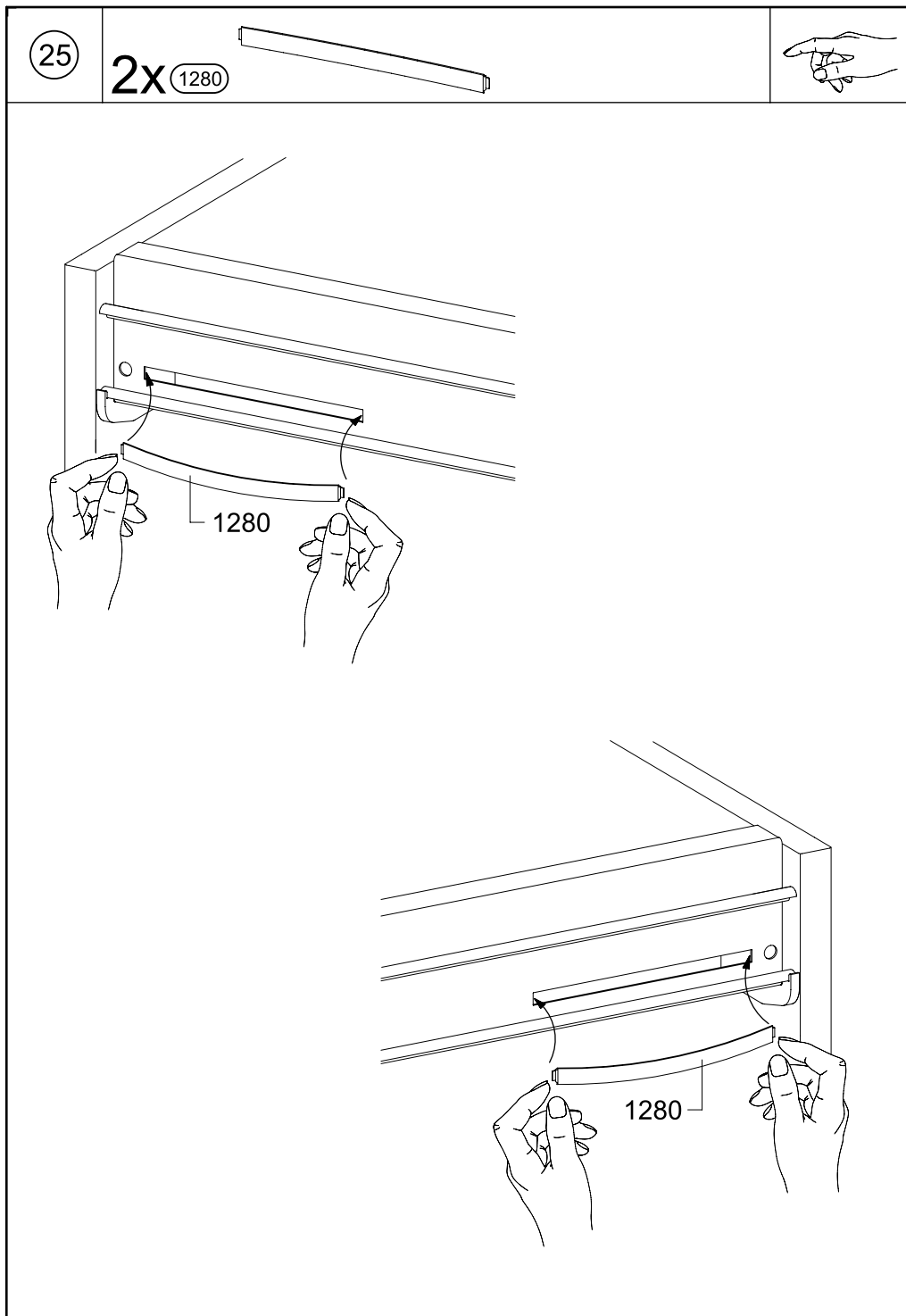
22

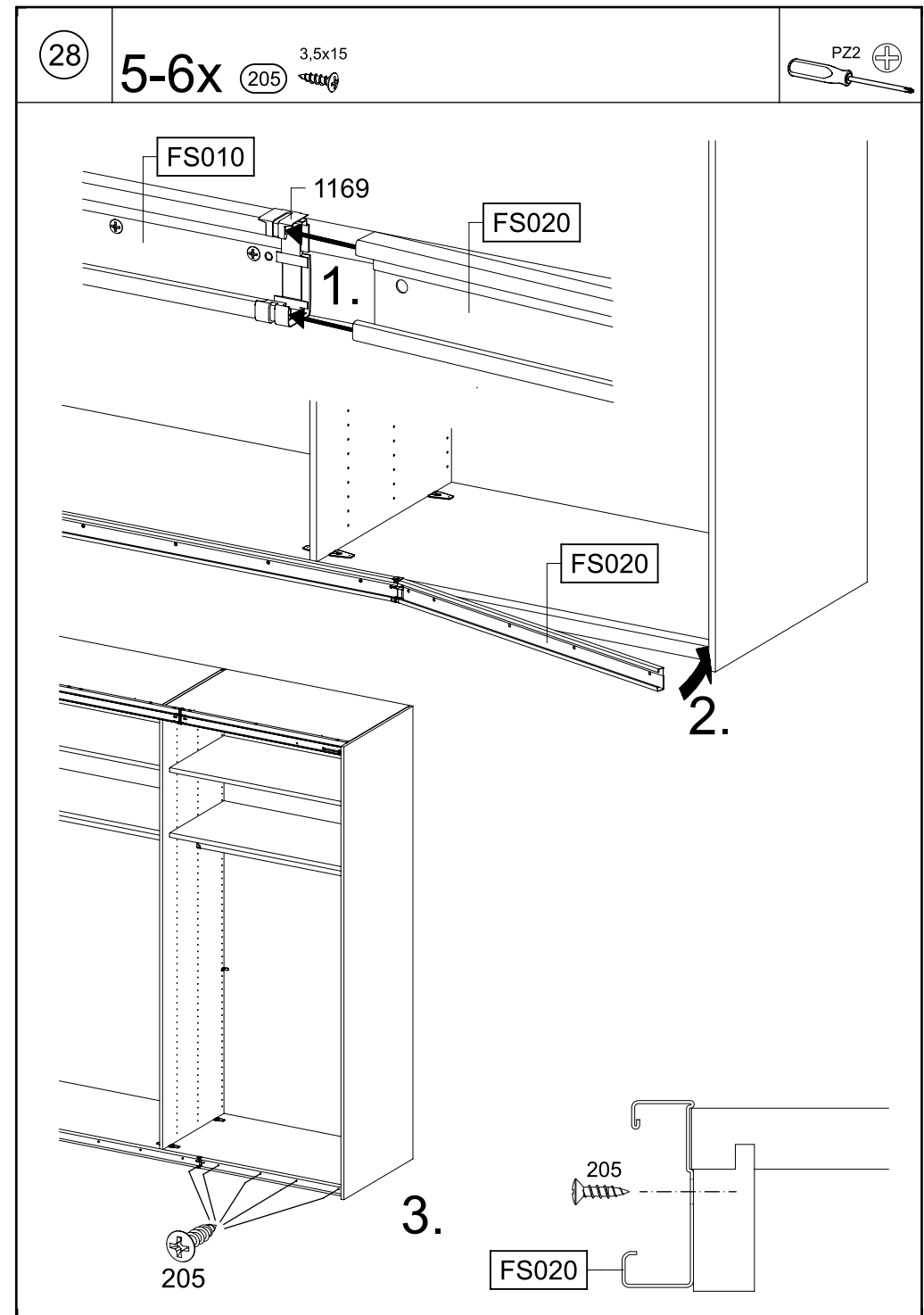
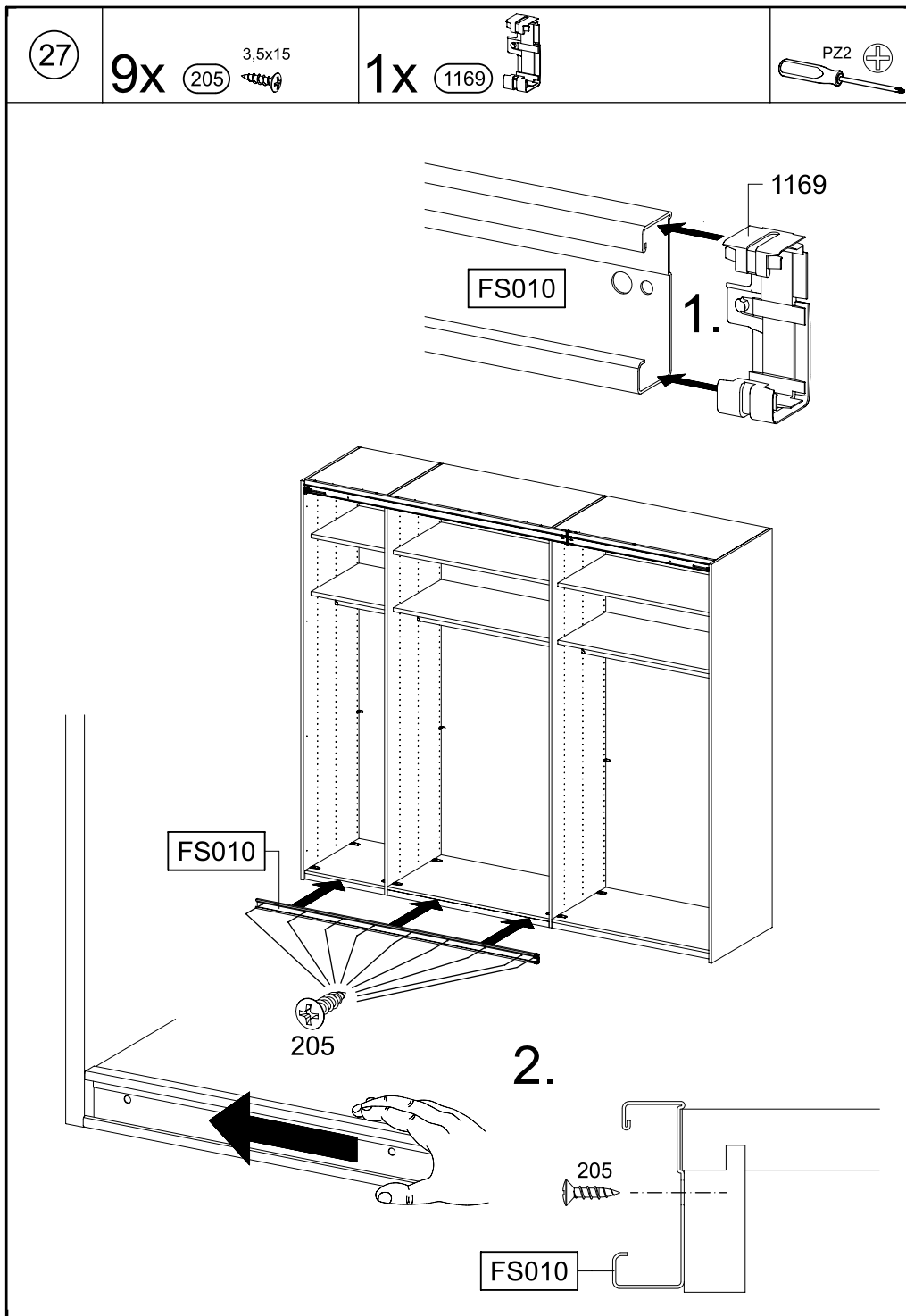
1.



2.



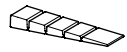




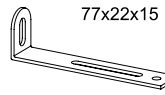
29

0-8x 12

55x16x6,2



2x 68

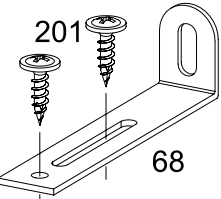


4x 201

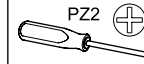
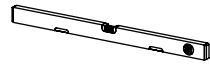
4x15



2.



68



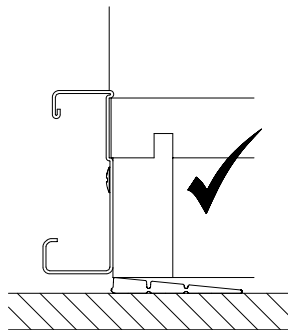
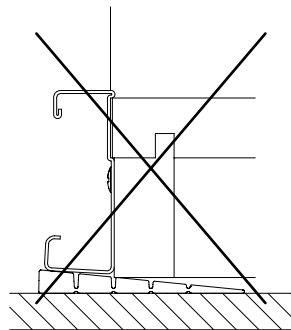
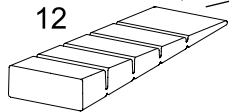
PZ2



SCAN ME

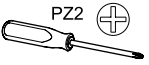
1.

12

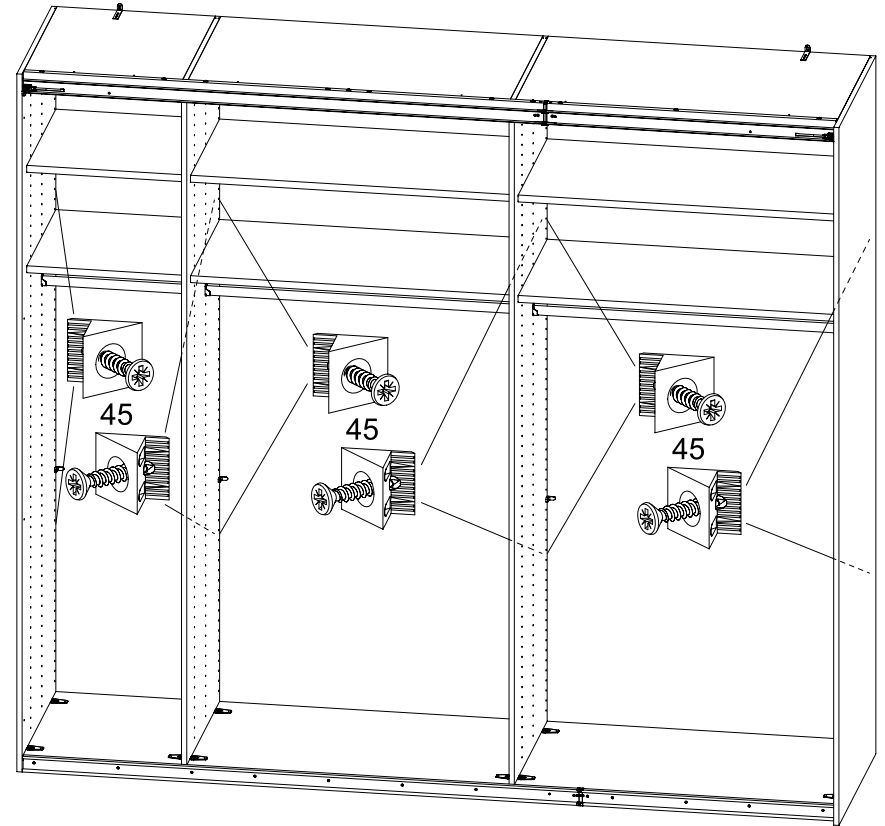


30

12x 45



PZ2



45

45

45

