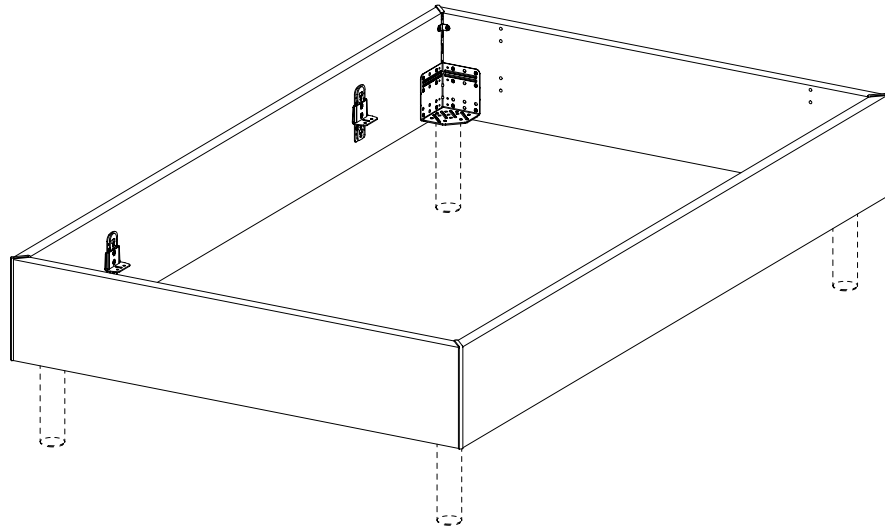
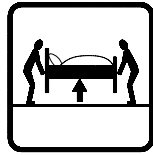
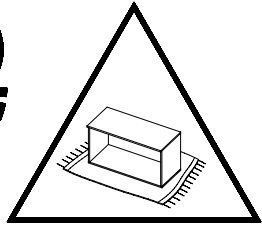
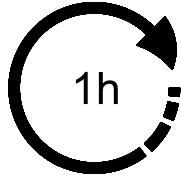
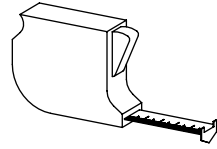
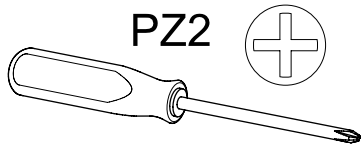
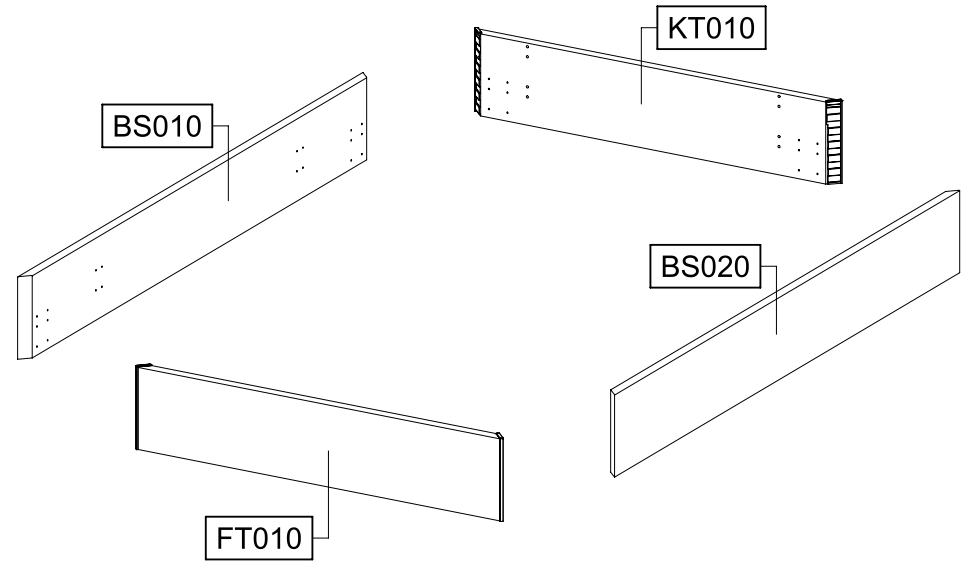


1.

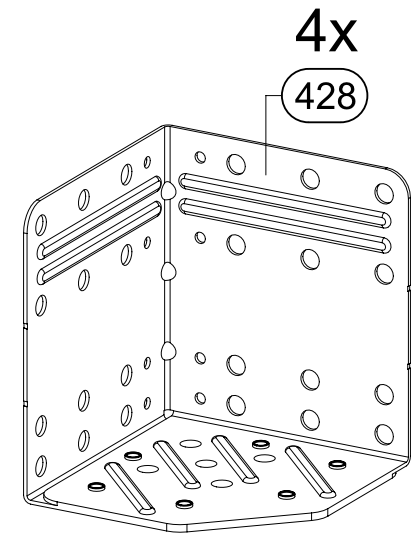
MD096_03

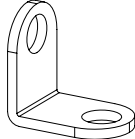
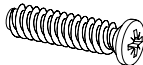


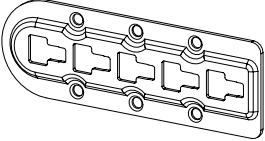
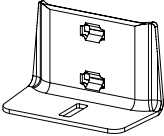


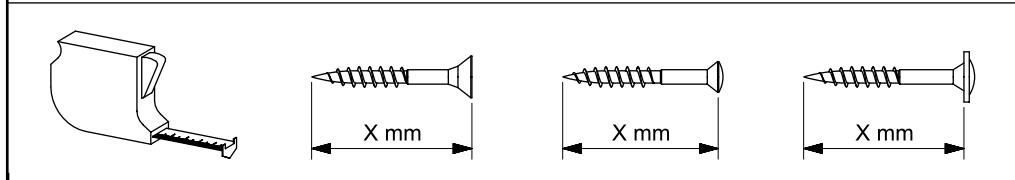
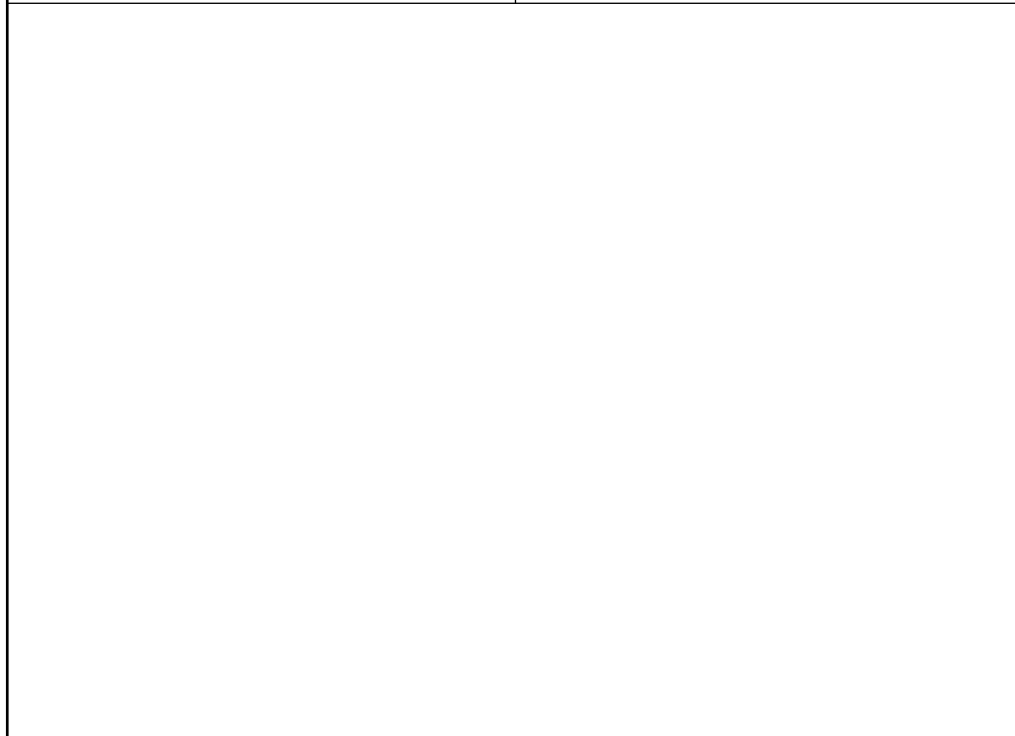
2.

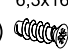
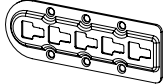
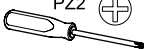


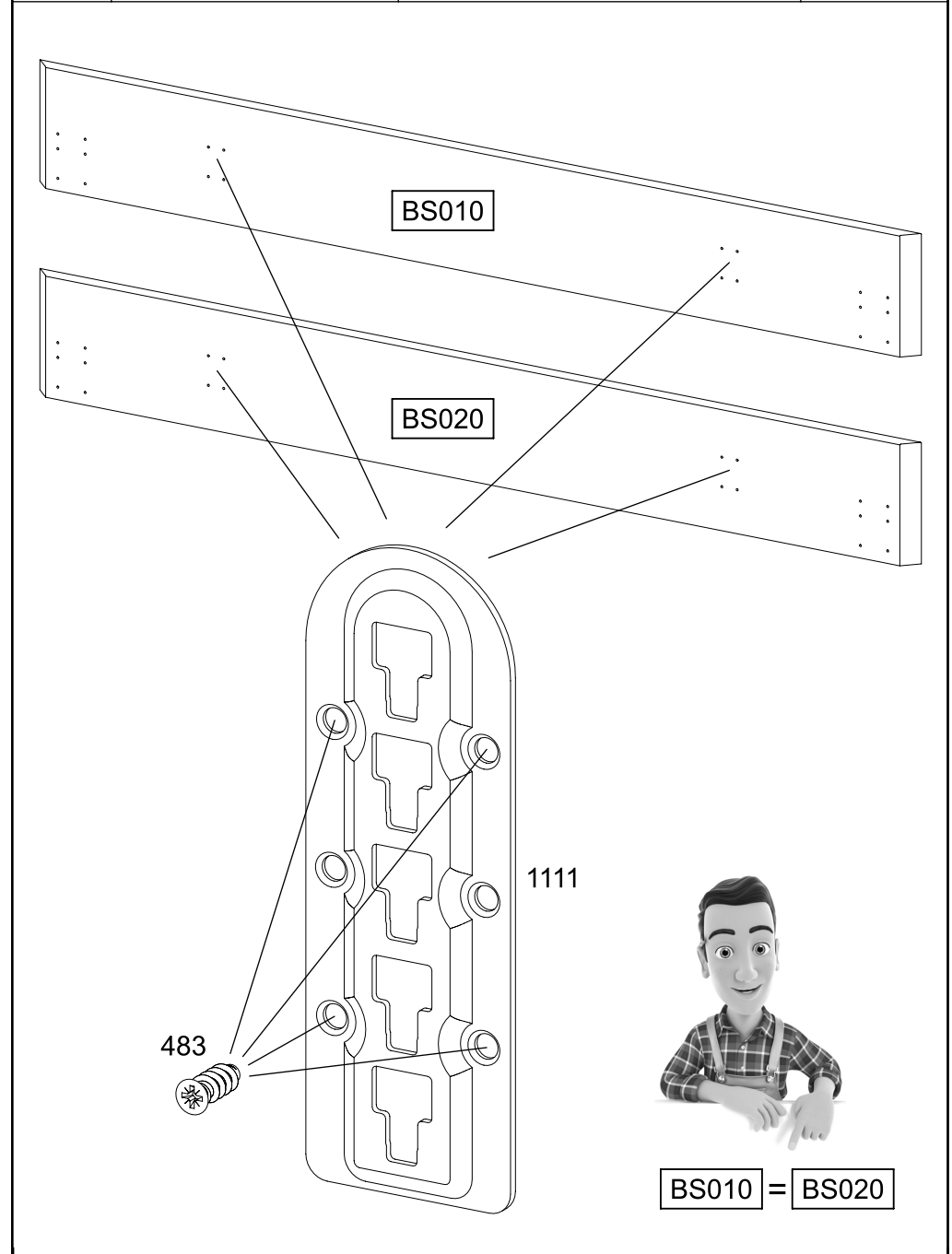
BS010 = BS020



<p>4x</p>  <p>197</p>	<p>48x</p> <p>6,3x25</p>  <p>242</p>
<p>8x</p> <p>4x21</p>  <p>243</p>	<p>16x</p> <p>6,3x16</p>  <p>483</p>
<p>4x</p>  <p>1111</p>	<p>4x</p>  <p>1112</p>

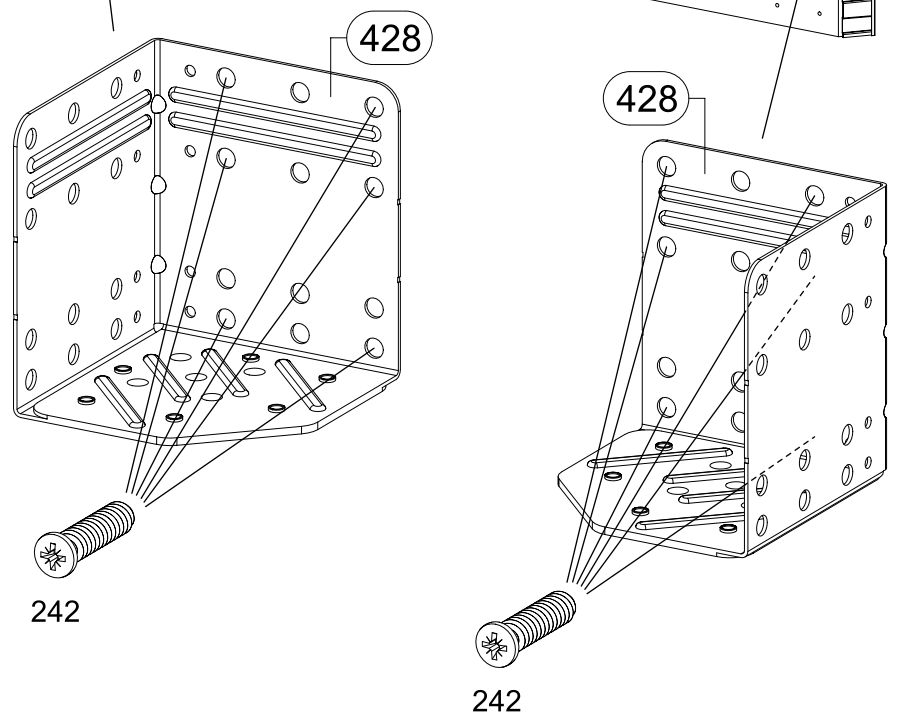
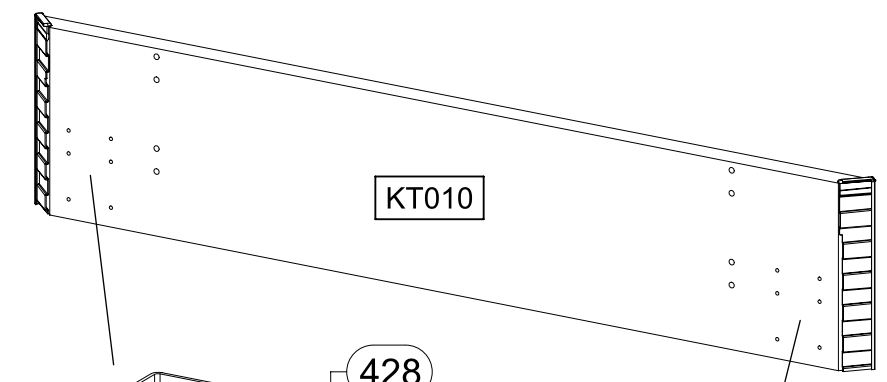
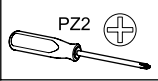


<p>1</p>	<p>16x</p> <p>6,3x16</p>  <p>483</p>	<p>4x</p>  <p>1111</p>	 <p>PZ2</p>
----------	---	--	--



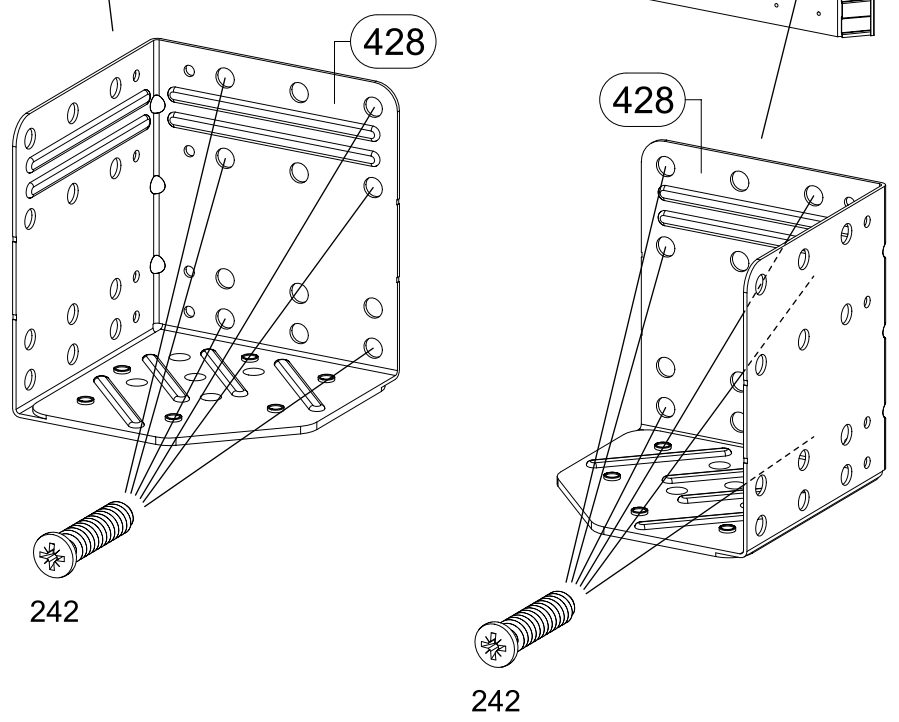
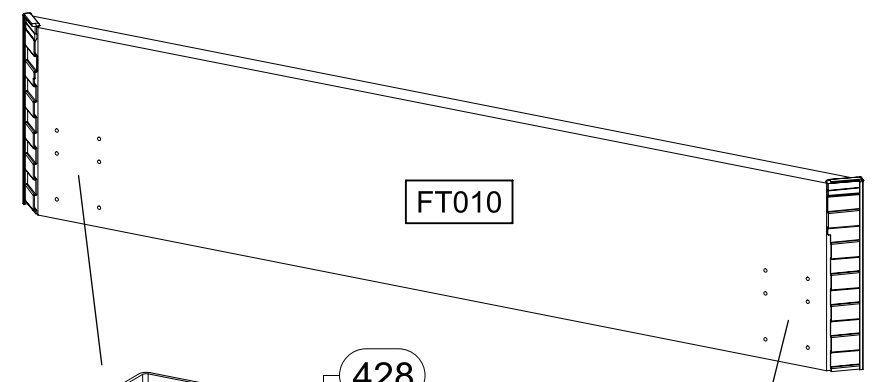
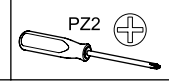
2

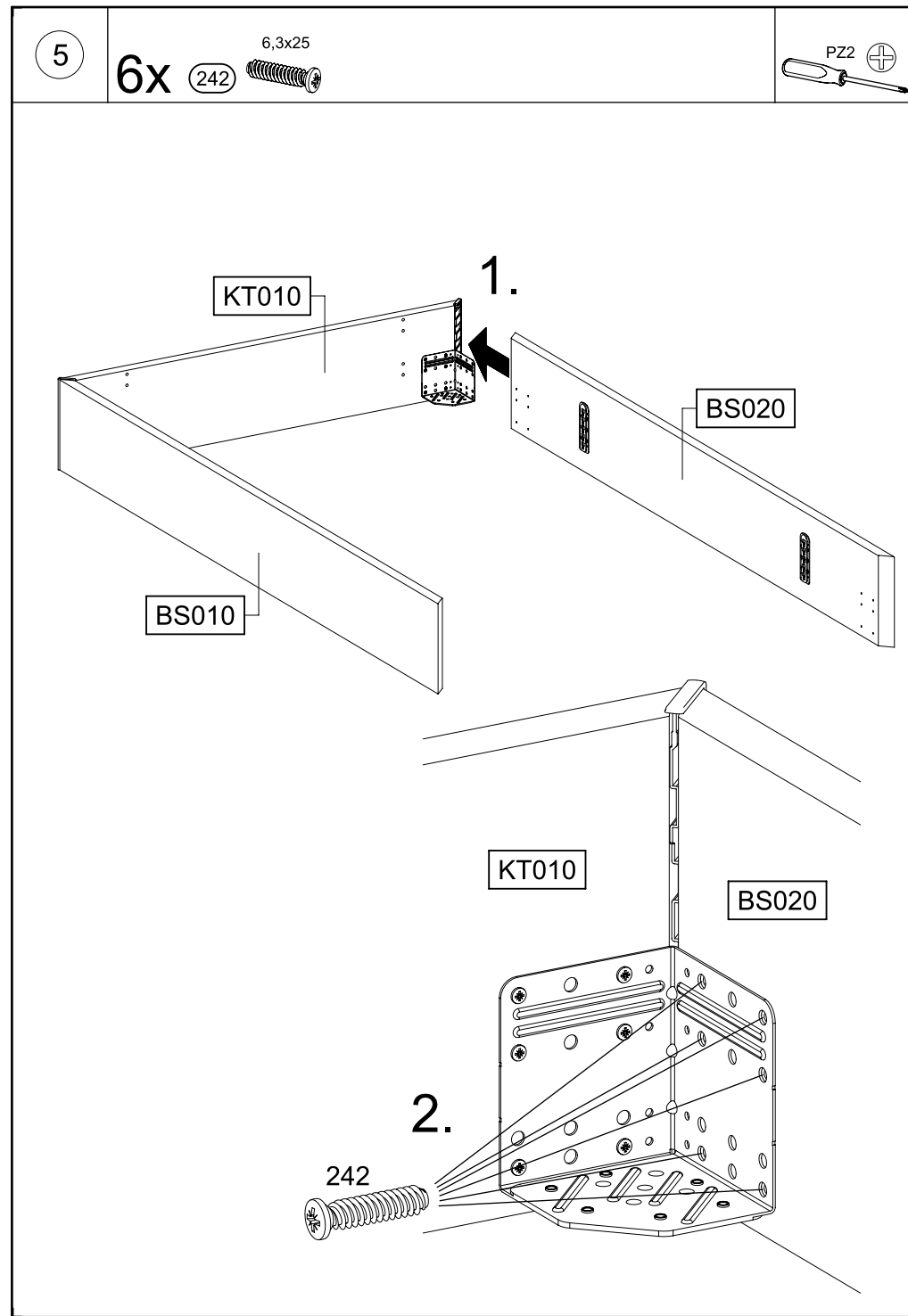
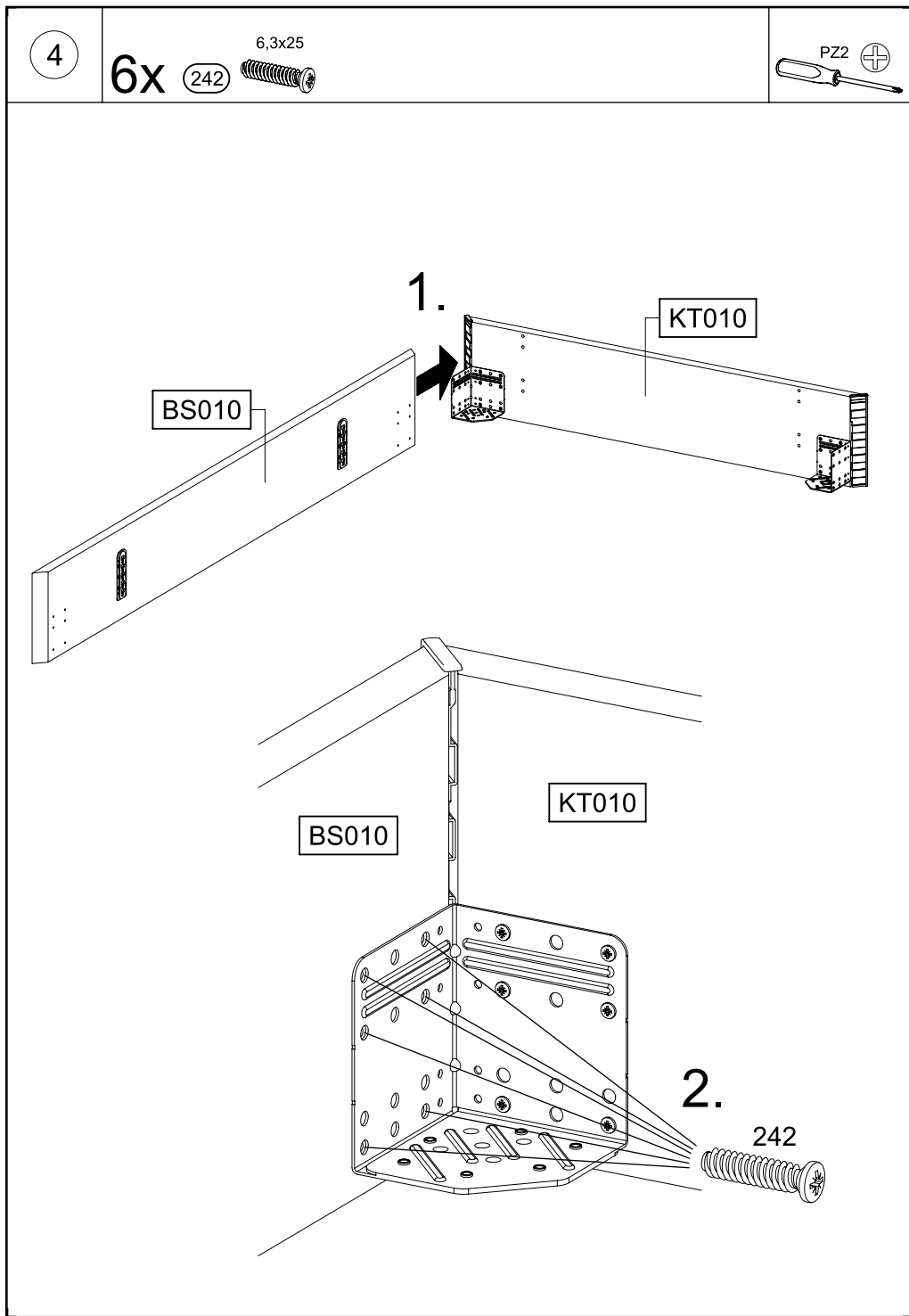
12x **242** 6,3x25

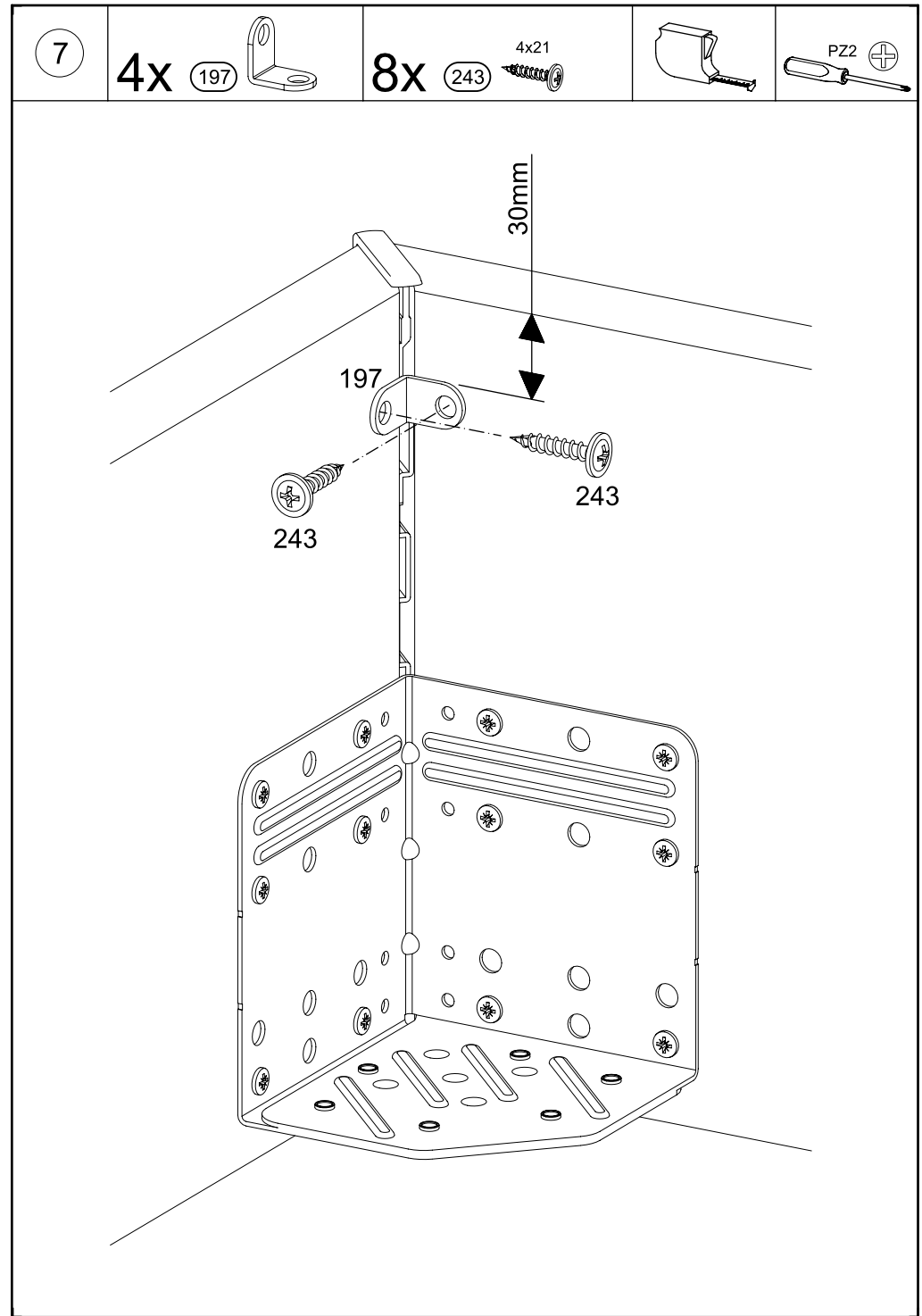
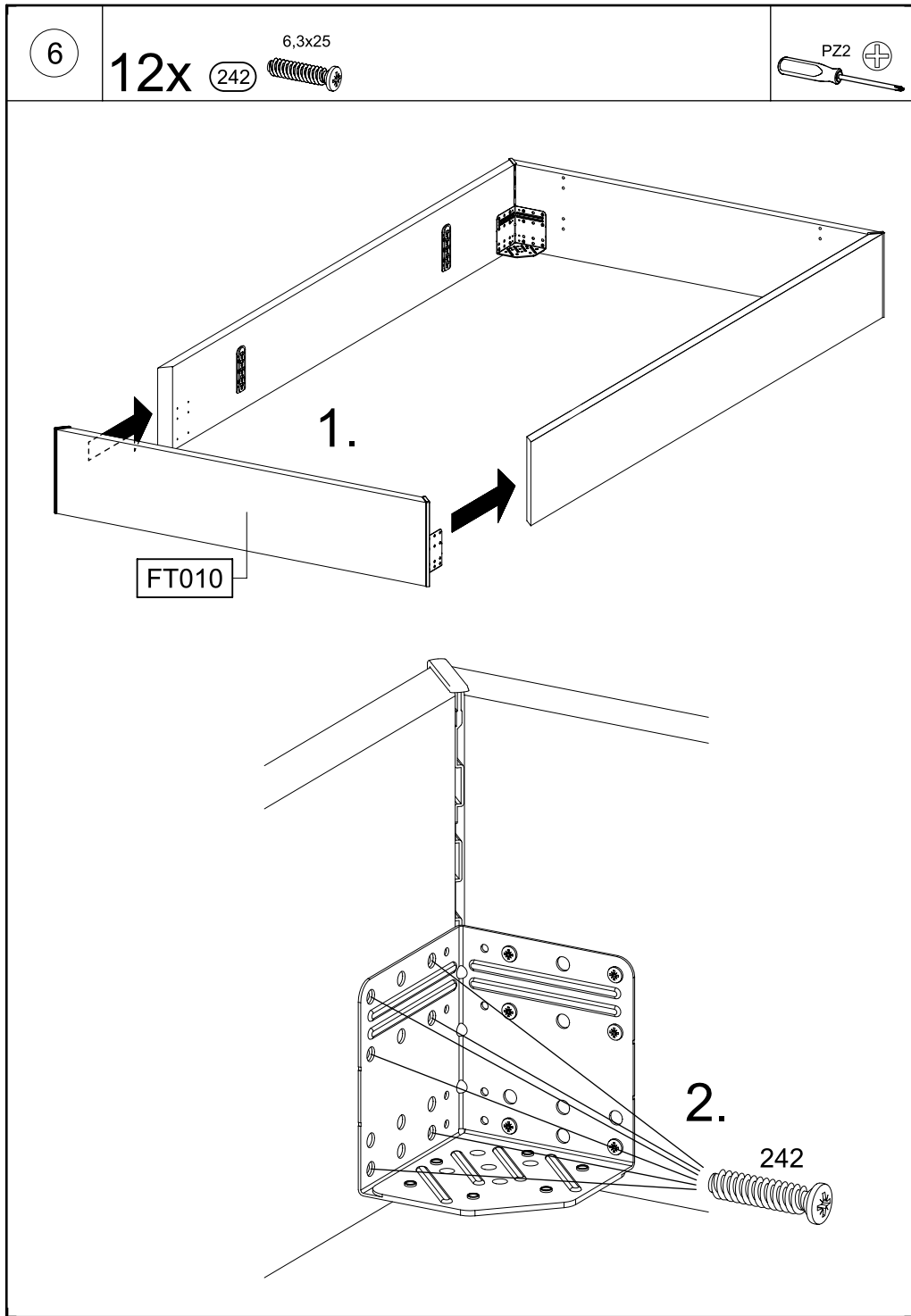


3

12x **242** 6,3x25







8

4x 1112

