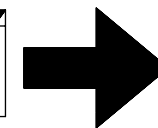
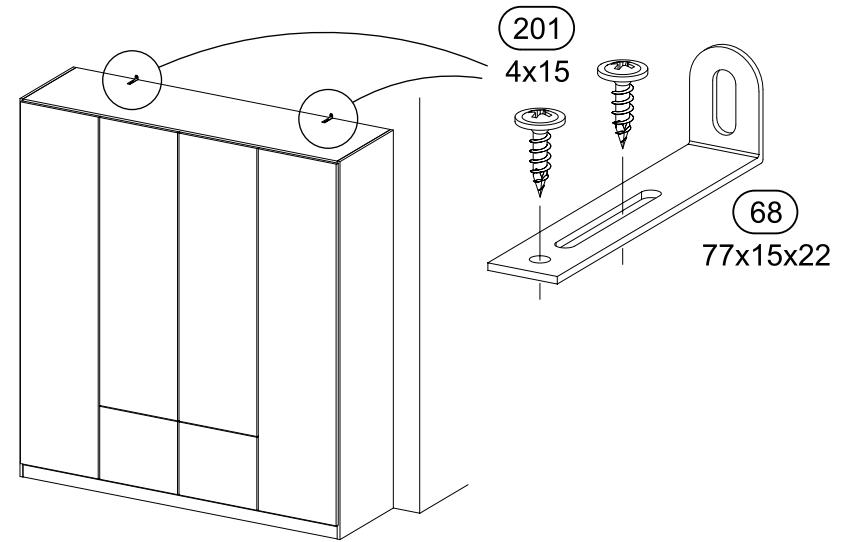
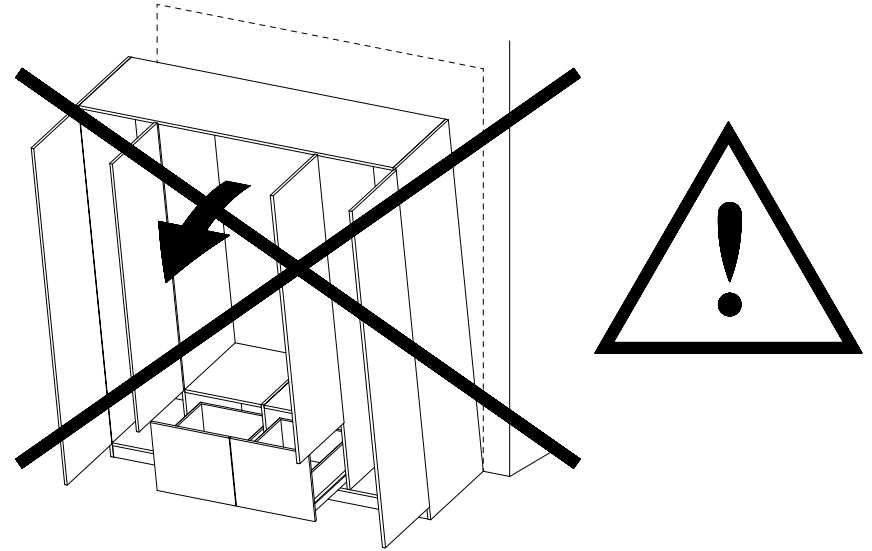
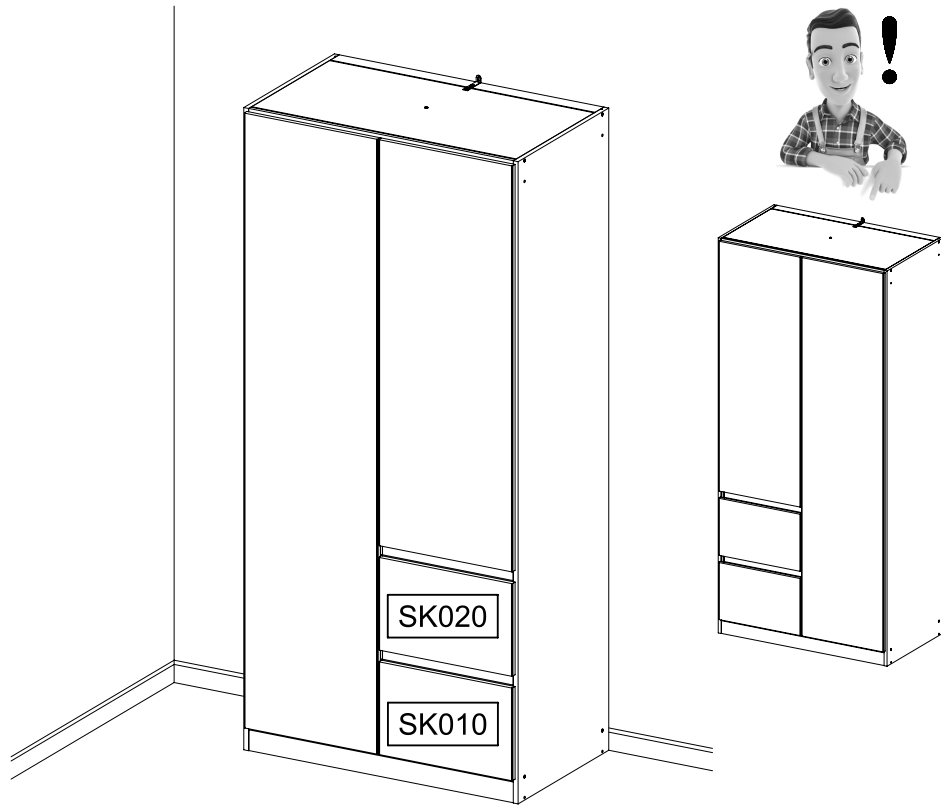
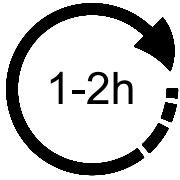
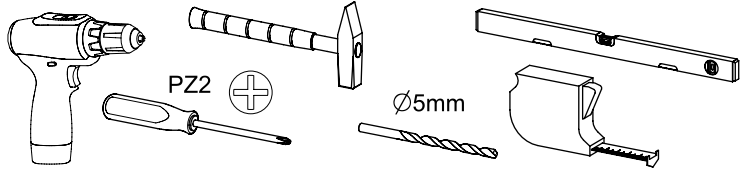
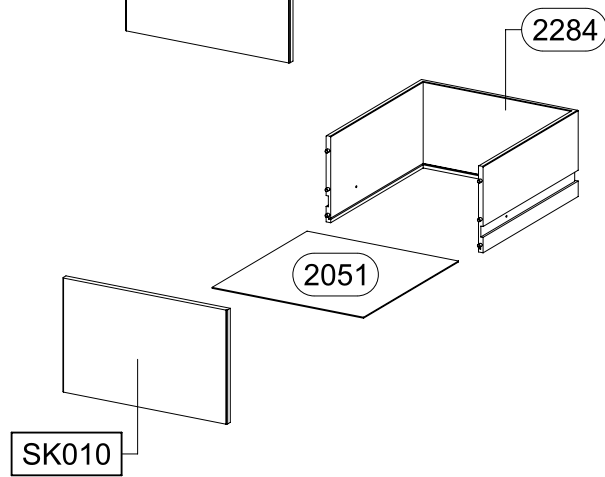
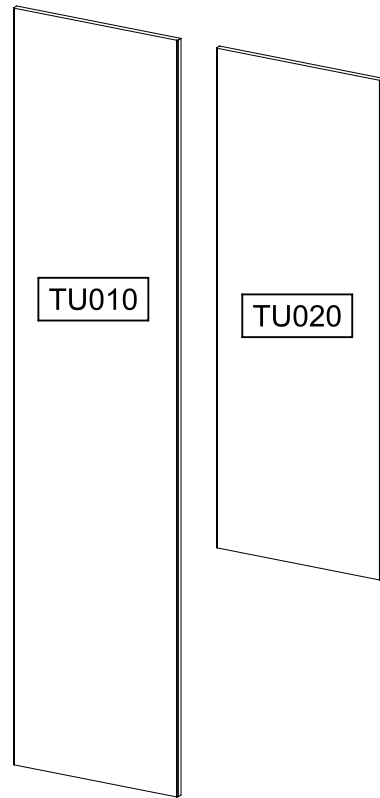
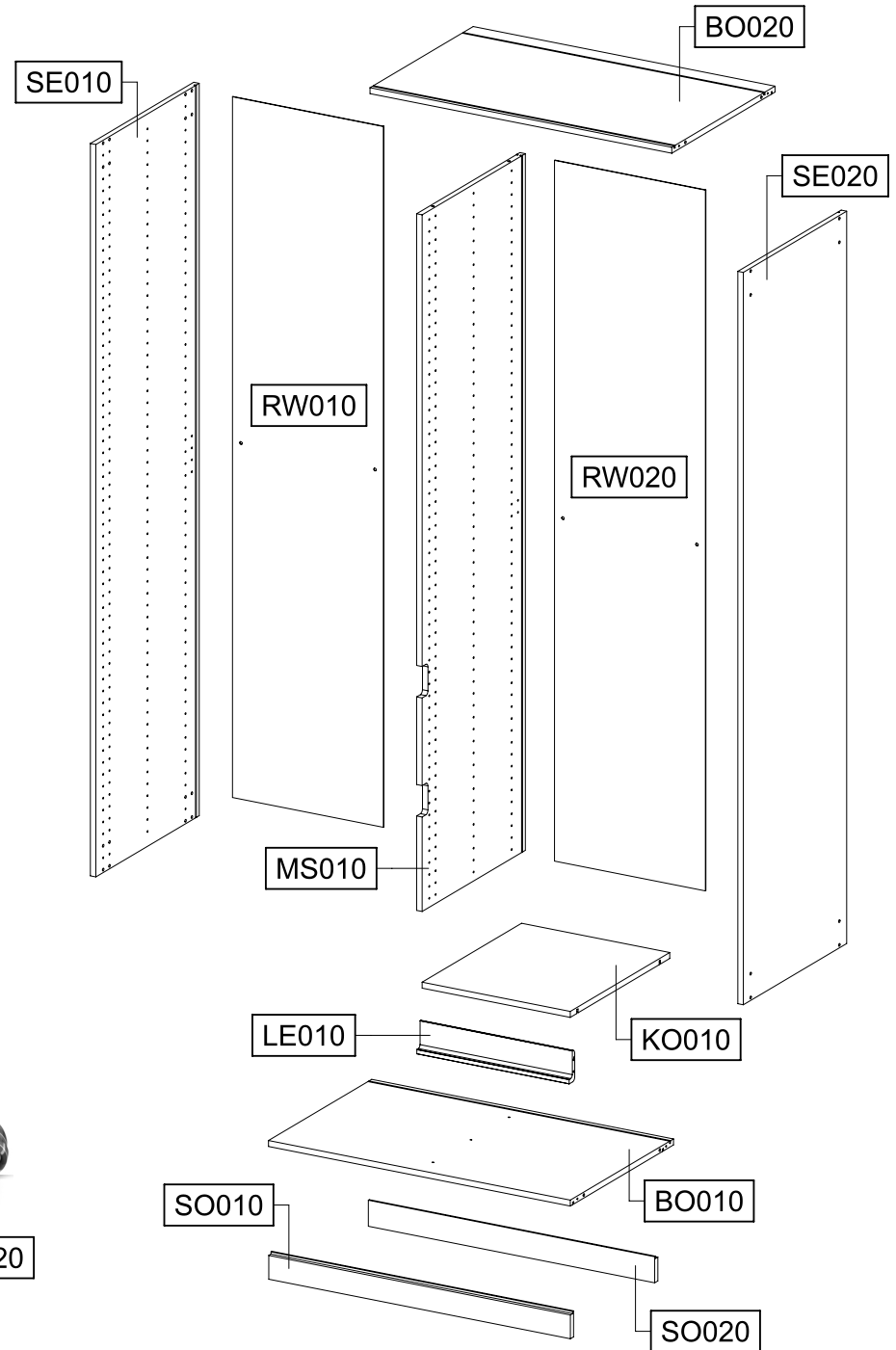


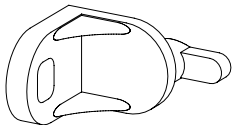
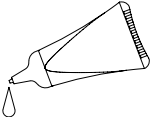
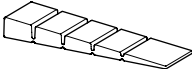

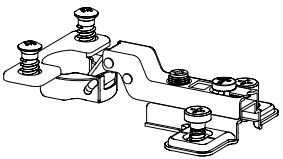

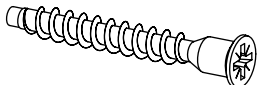

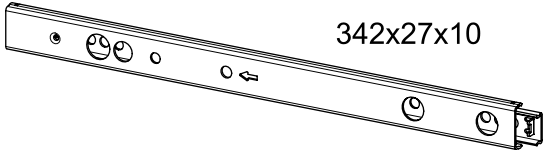
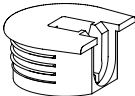
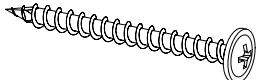




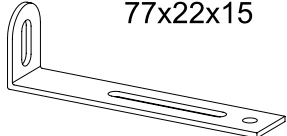

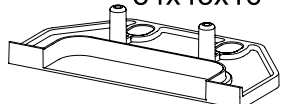
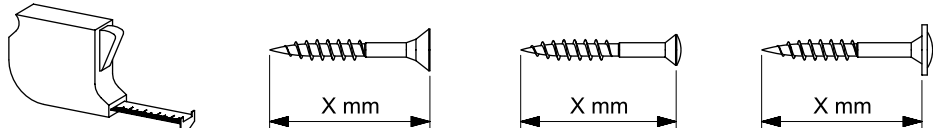
M3229_01



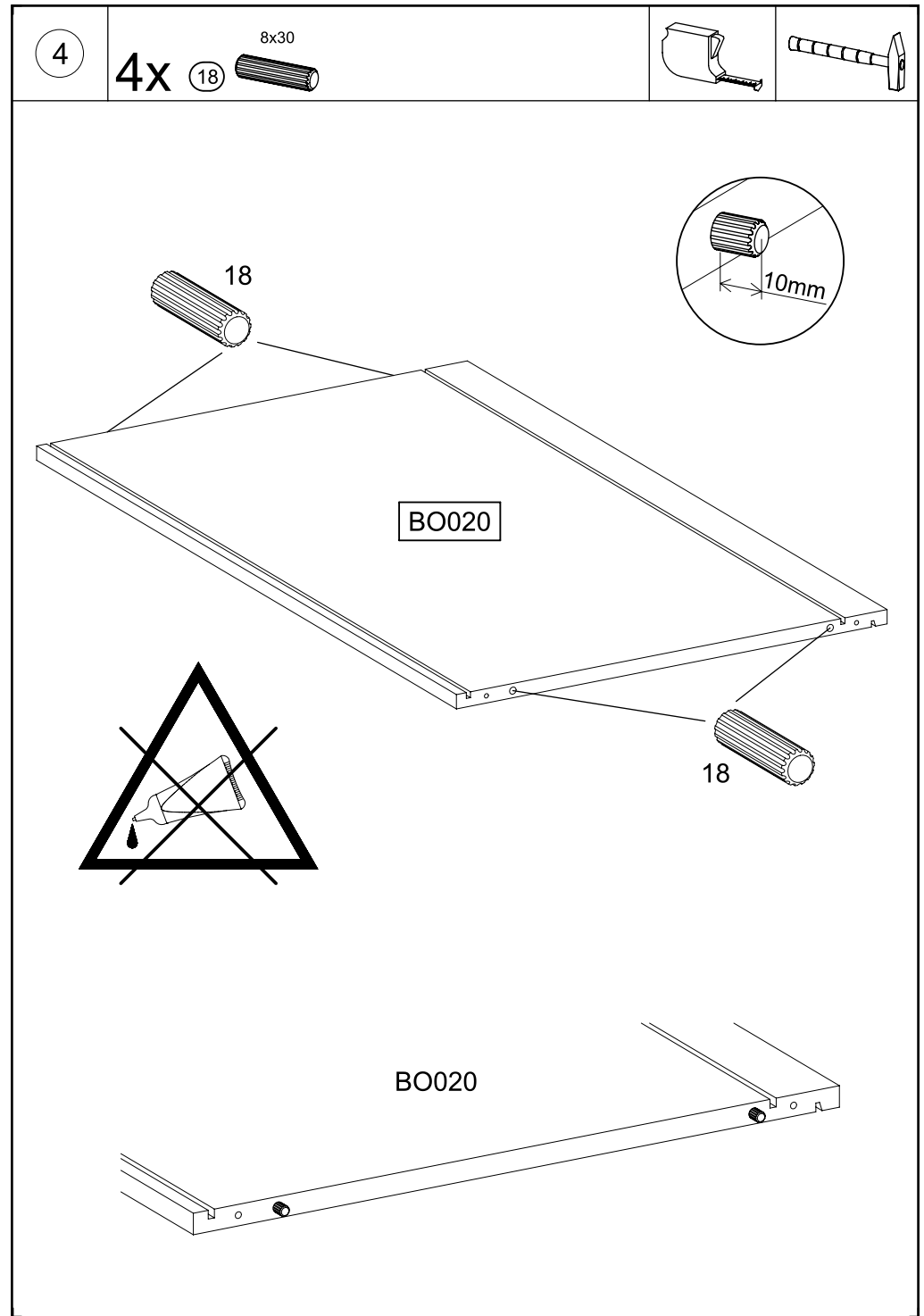
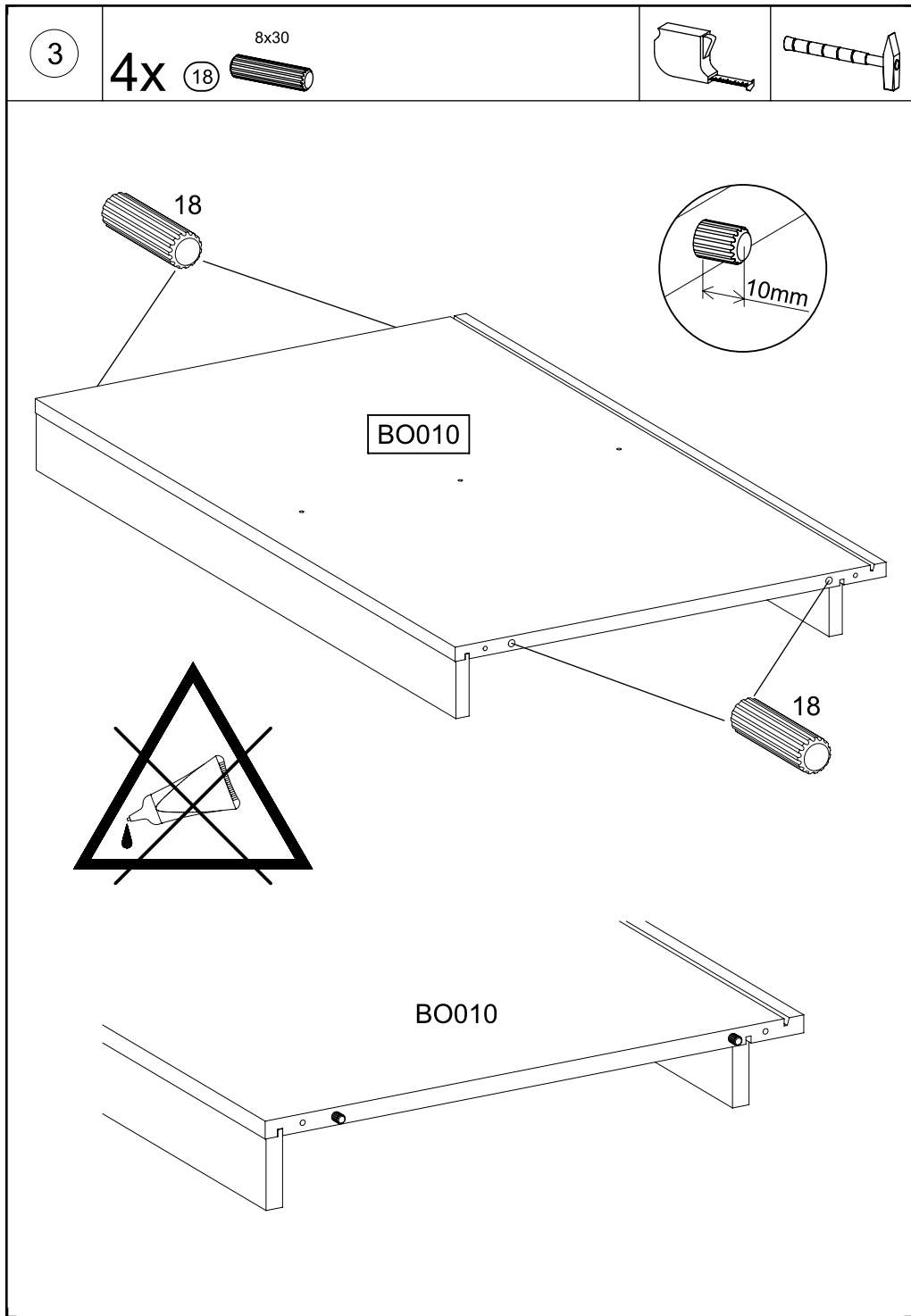


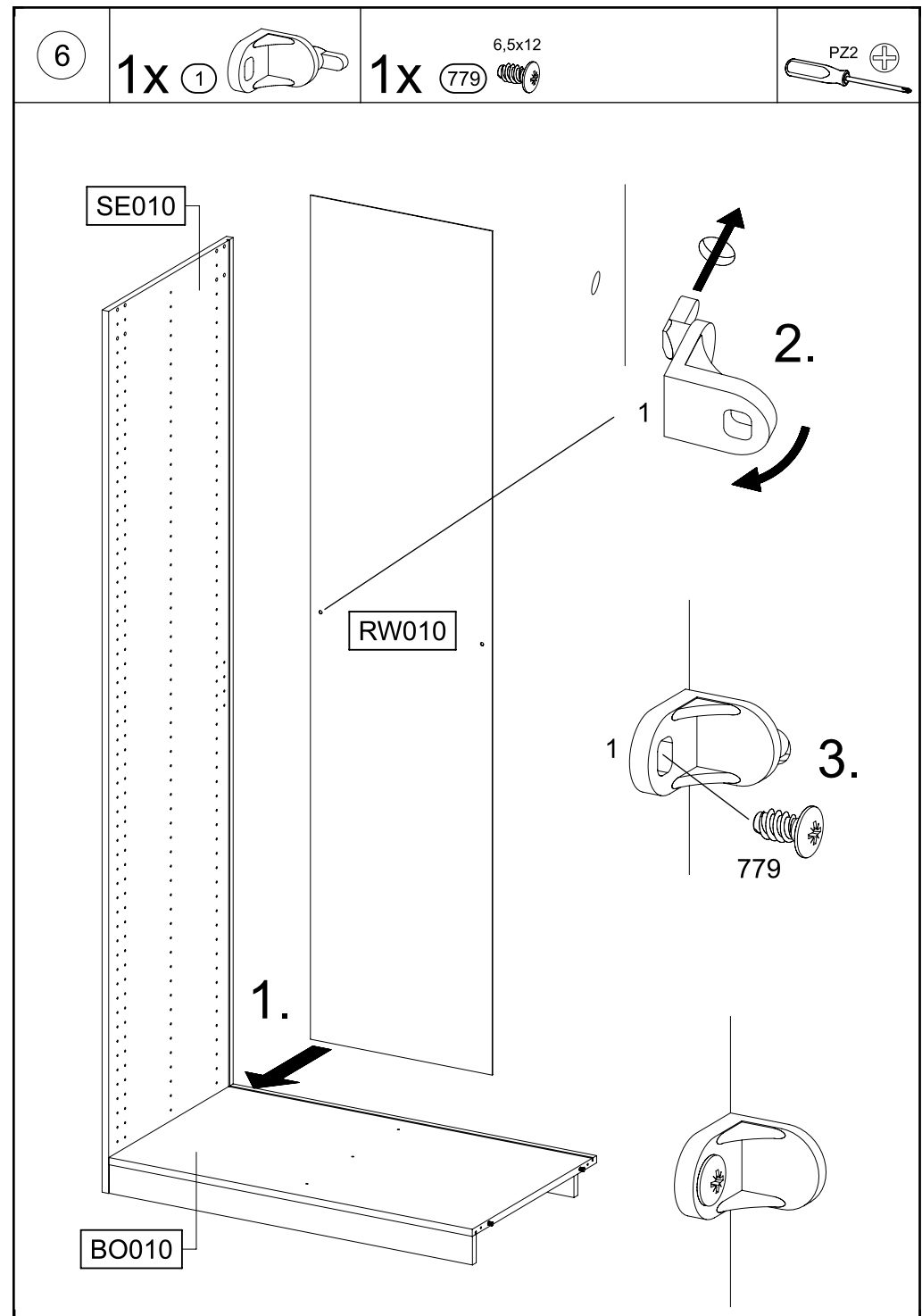
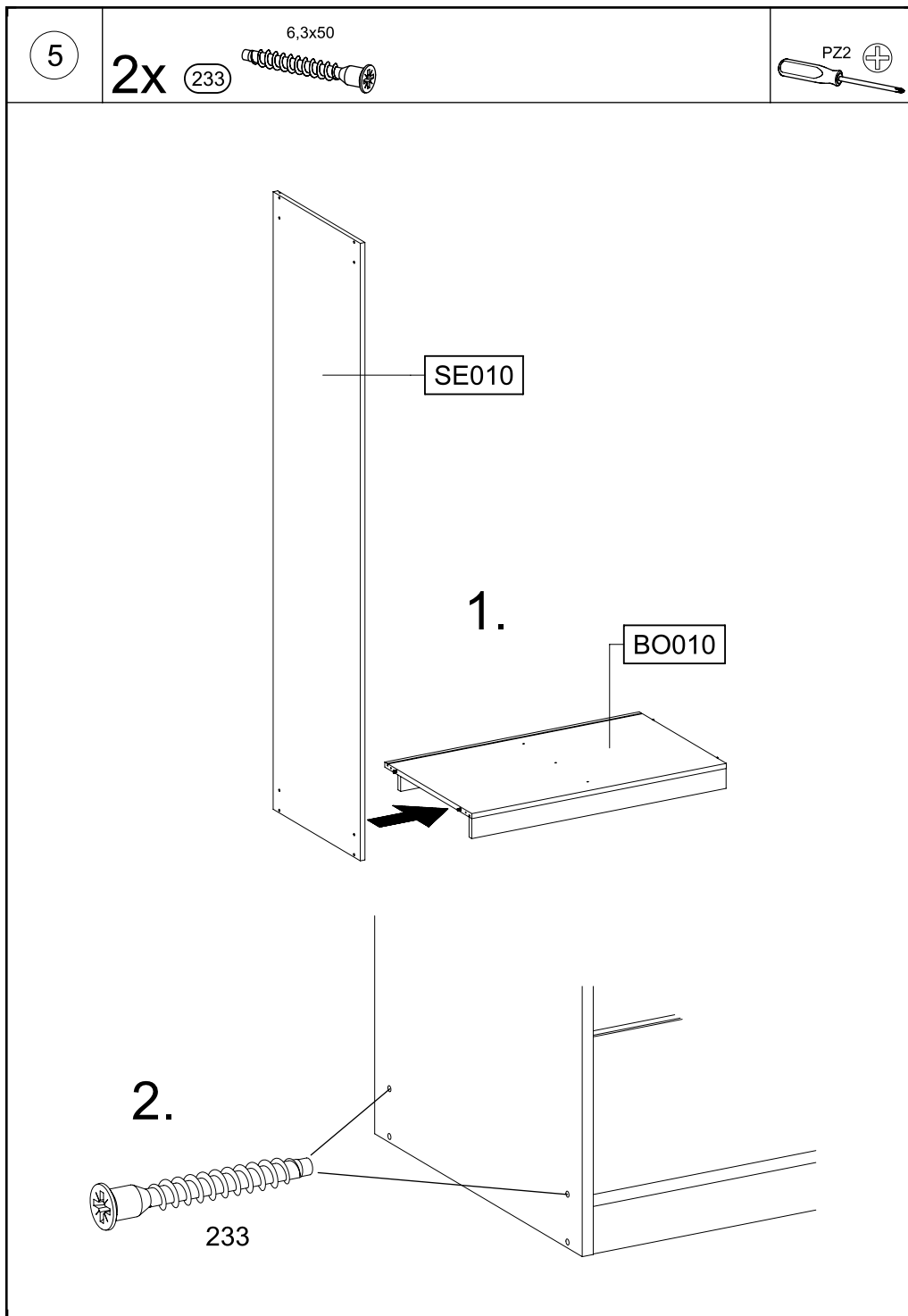
SK010 = SK020

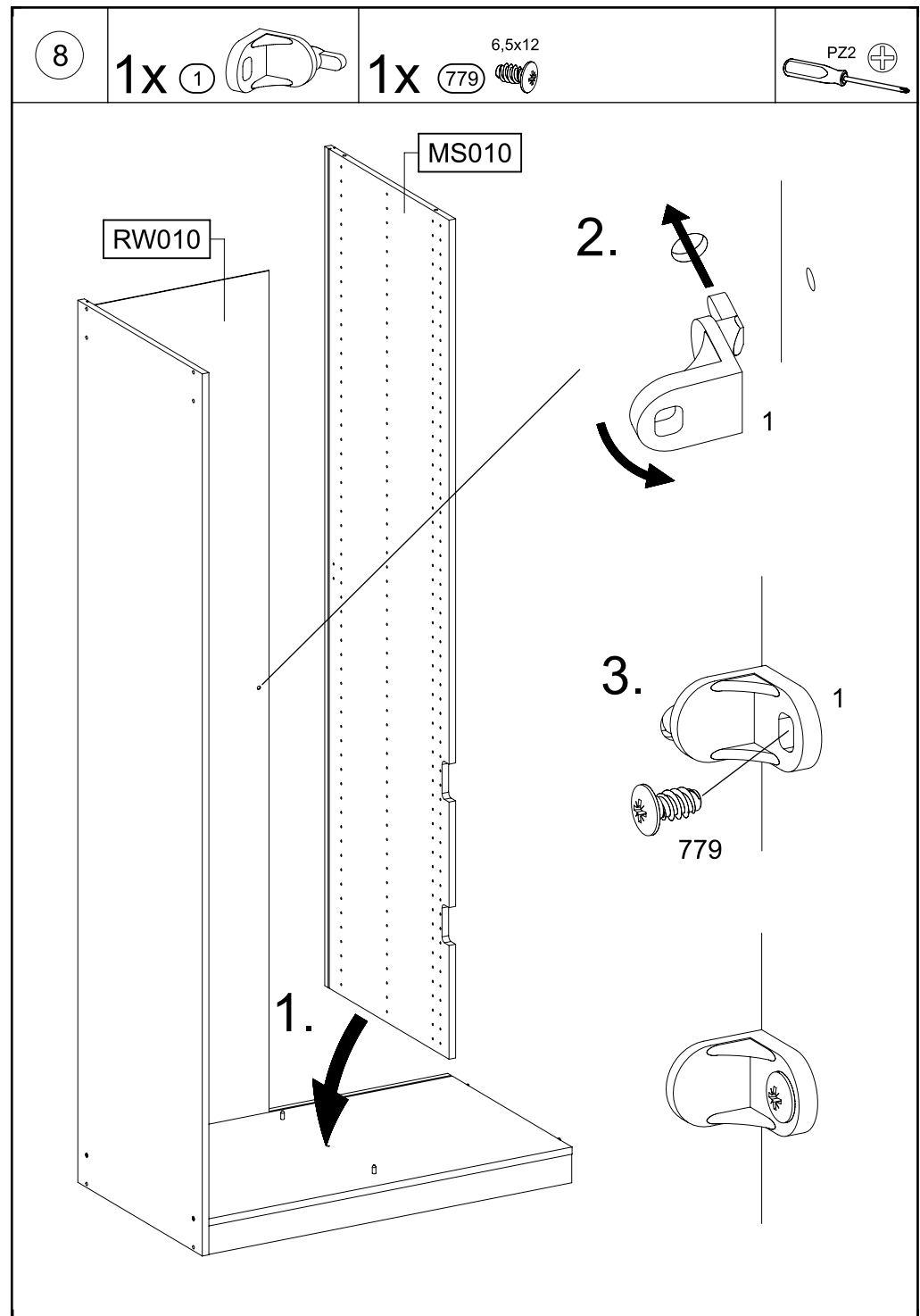
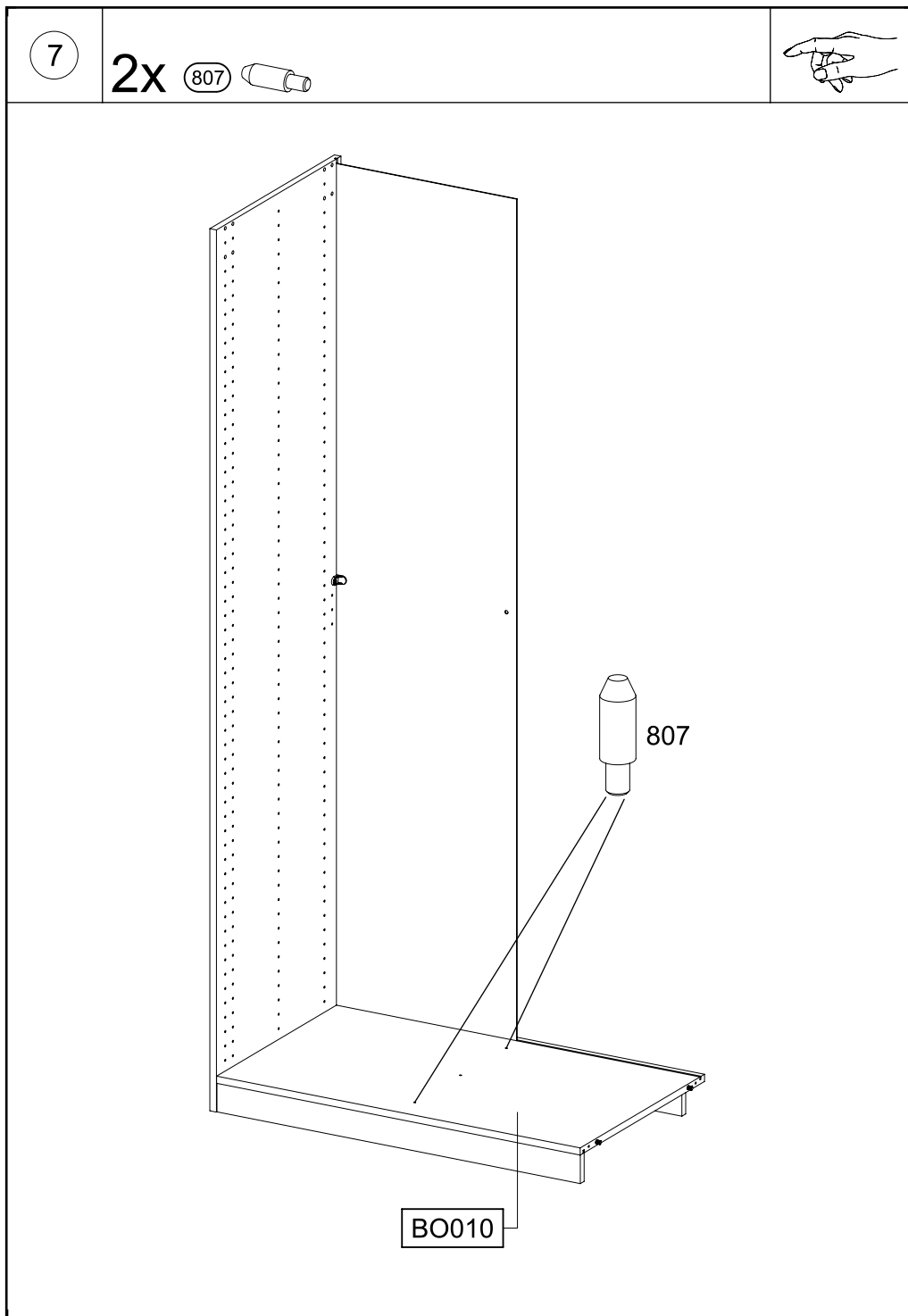


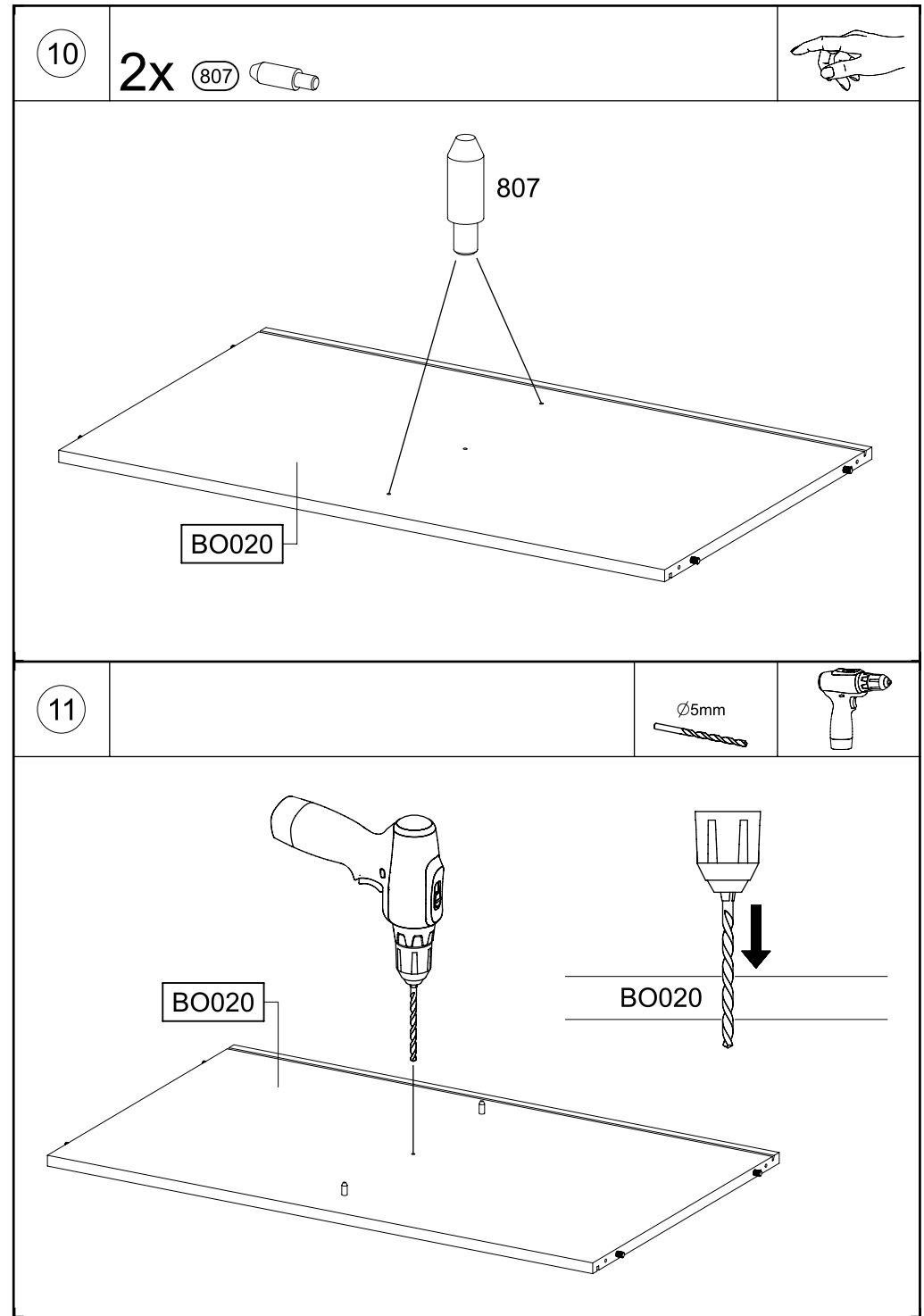
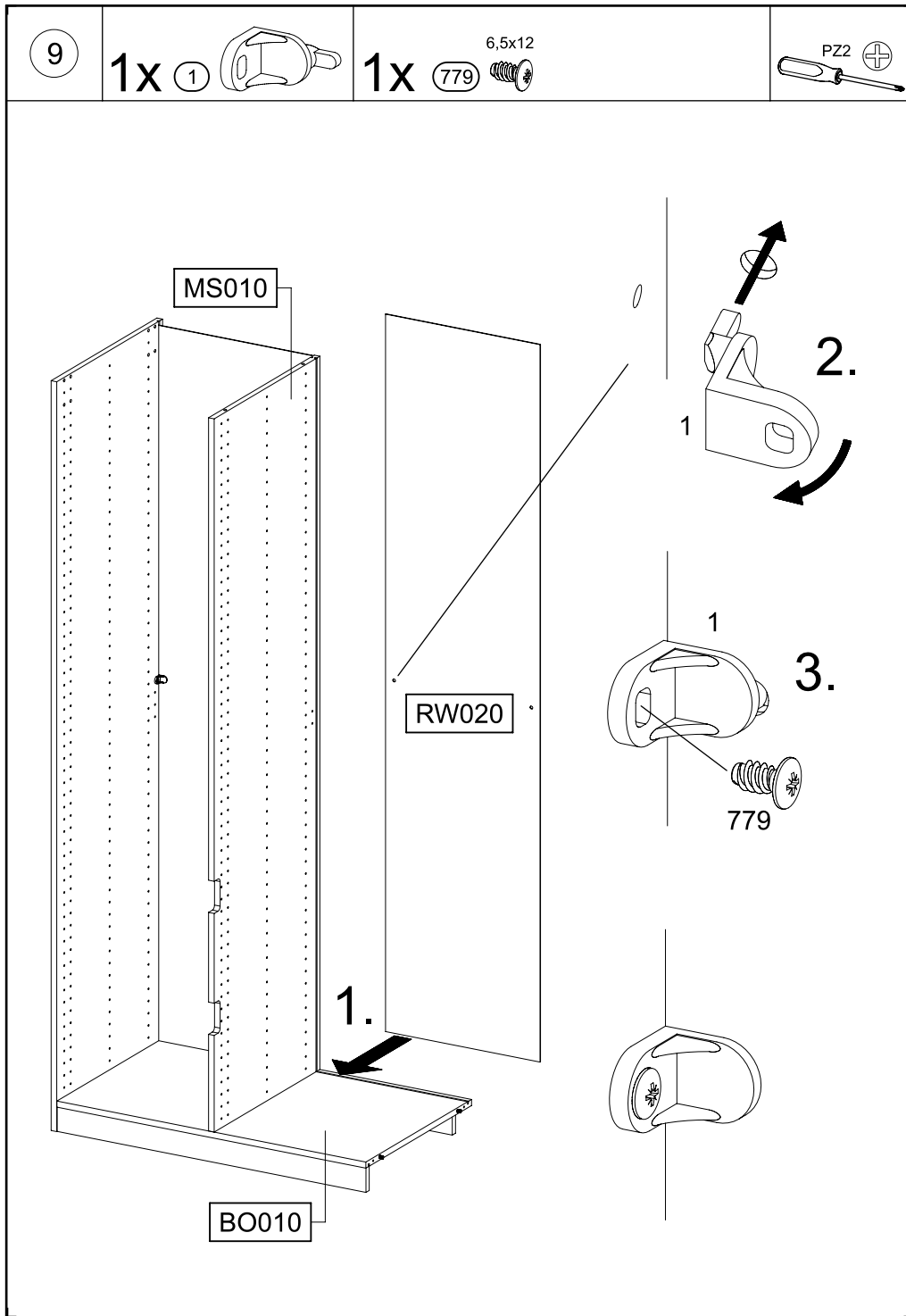
<p>4x</p> <p>1</p> 	<p>11</p> 	<p>2x</p> <p>55x16x6,2</p> <p>12</p> 	
<p>8x</p> <p>8x30</p> <p>18</p> 		<p>5x-7x</p> <p>116</p> 	
<p>4x</p> <p>3,5x15</p> <p>205</p> 	<p>8x</p> <p>6,3x50</p> <p>233</p> 	<p>4x</p> <p>5,0x7,0</p> <p>249</p> 	
<p>4x</p> <p>342x27x10</p> <p>1396</p> 		<p>4x</p> <p>274</p> 	
<p>1x</p> <p>4,5x50</p> <p>296</p> 	<p>8x</p> <p>6x8</p> <p>534</p> 	<p>4x</p> <p>M4x9</p> <p>568</p> 	
<p>16x</p> <p>6,5x12</p> <p>779</p> 	<p>4x</p> <p>807</p> 	<p>1x</p> <p>77x22x15</p> <p>68</p> 	
<p>2x</p> <p>4x15</p> <p>201</p> 	<p>2x</p> <p>84x45x16</p> <p>1031</p> 		
			

<p>2x</p> <p>1331</p> 	<p>1x</p> <p>RE010</p> 		
			
			
			
			
			
			
			





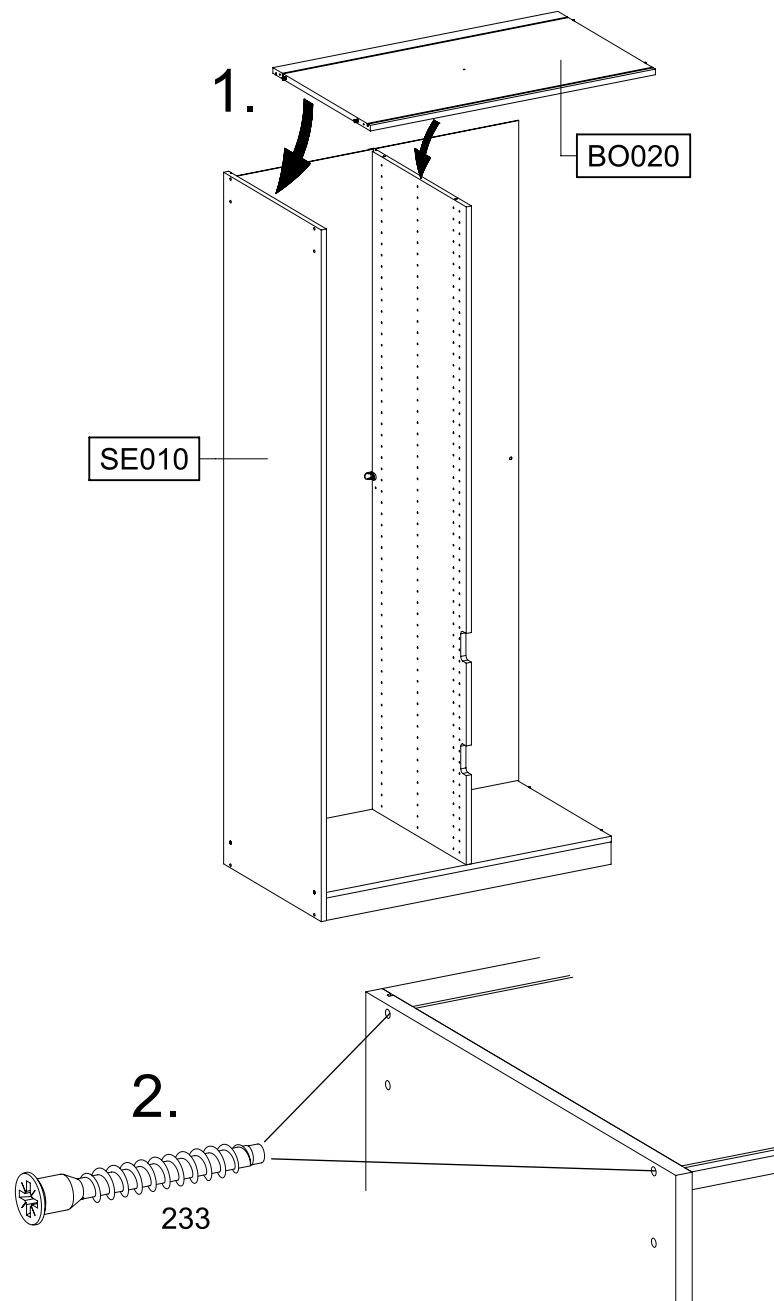
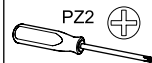
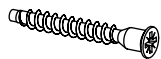




12

2x 233

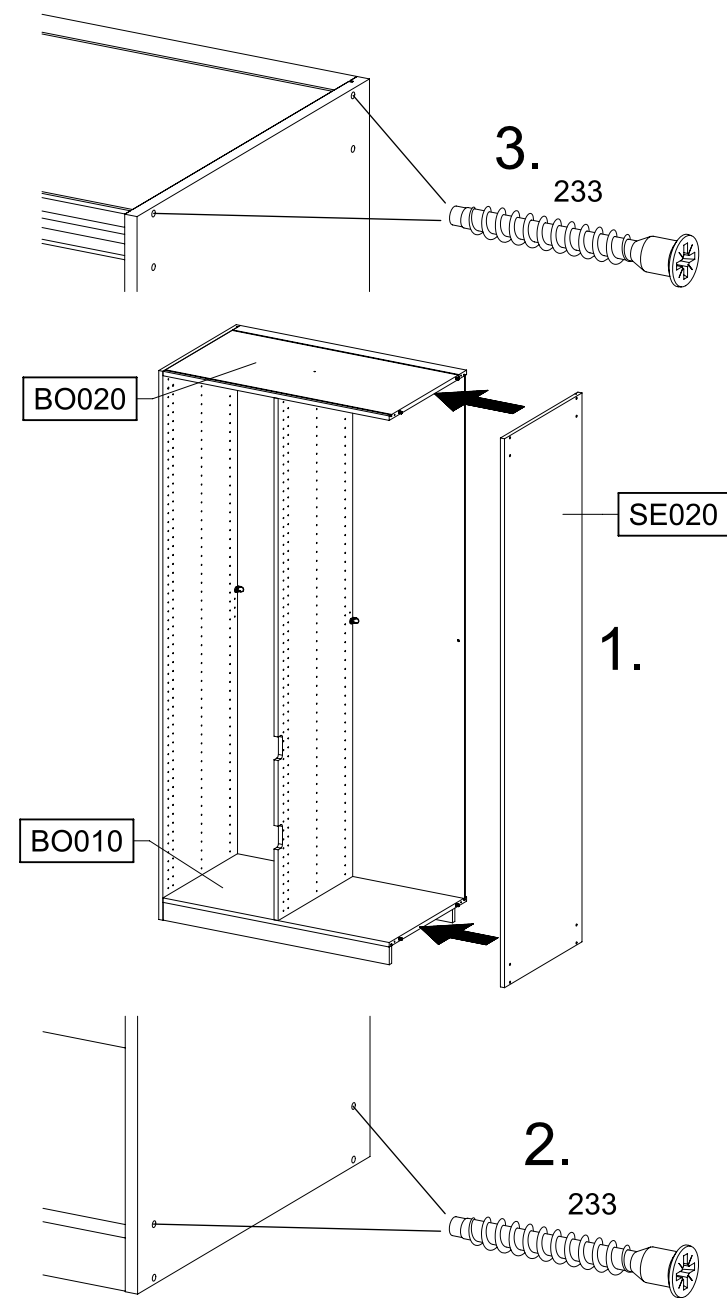
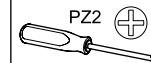
6,3x50

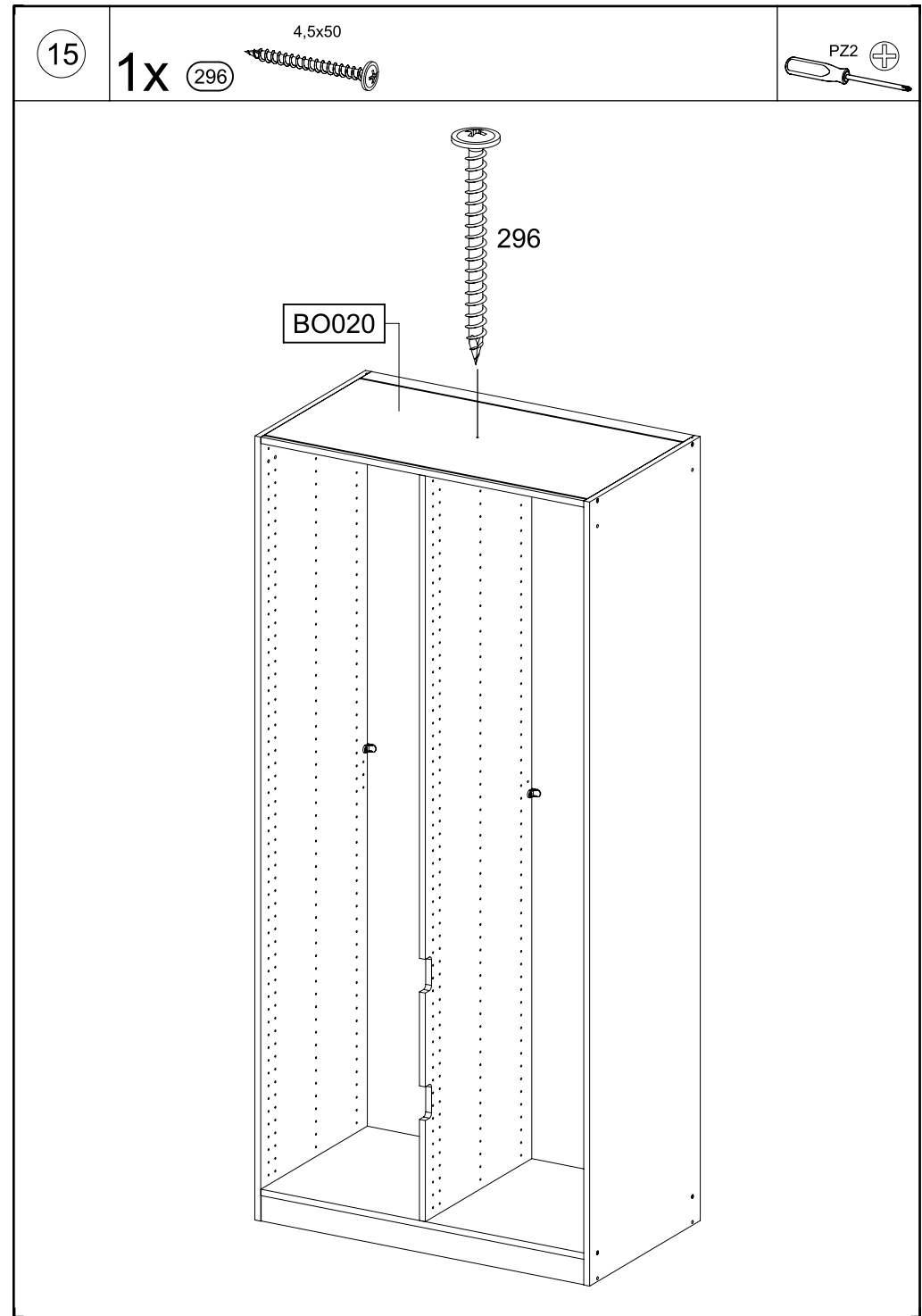
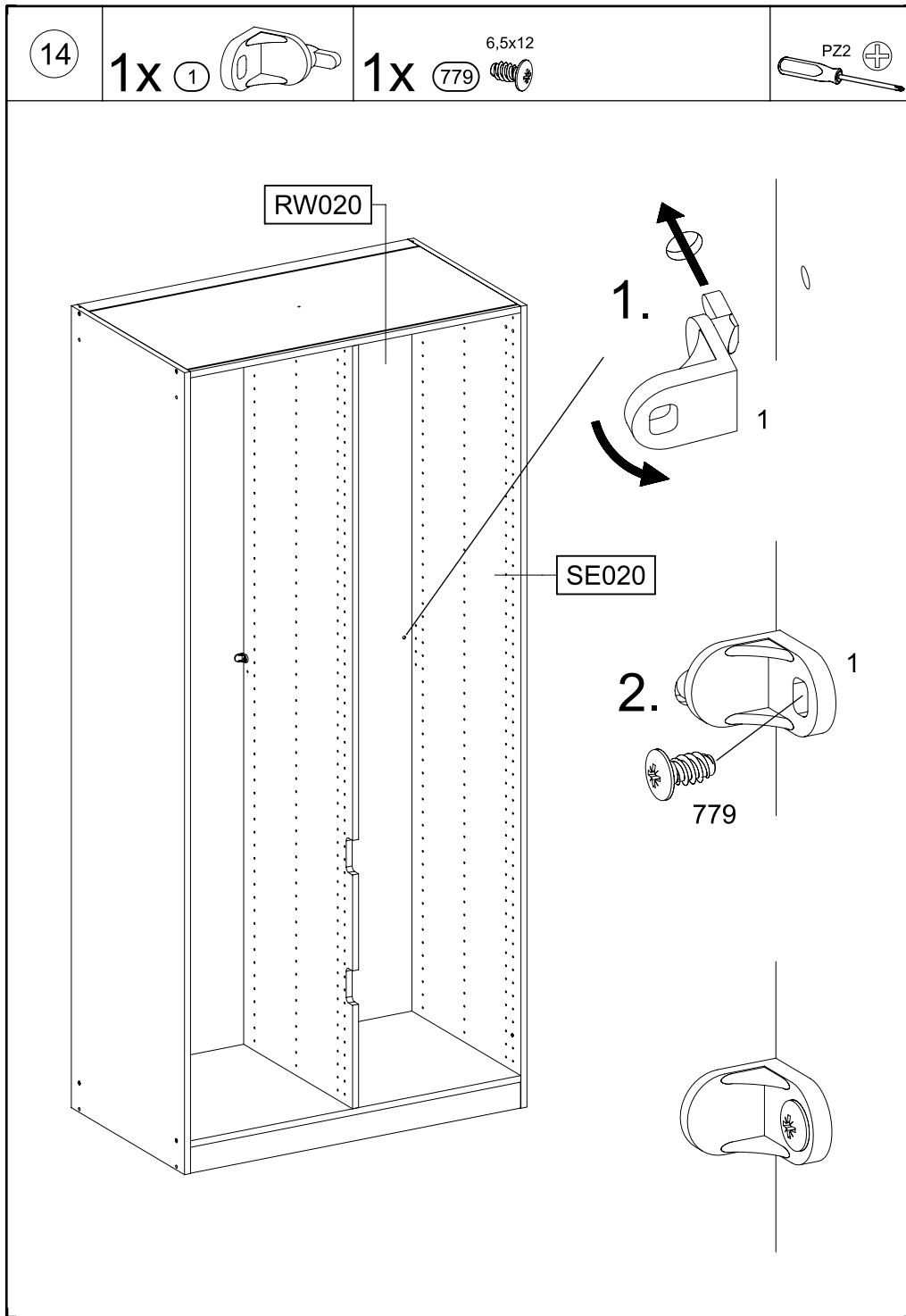


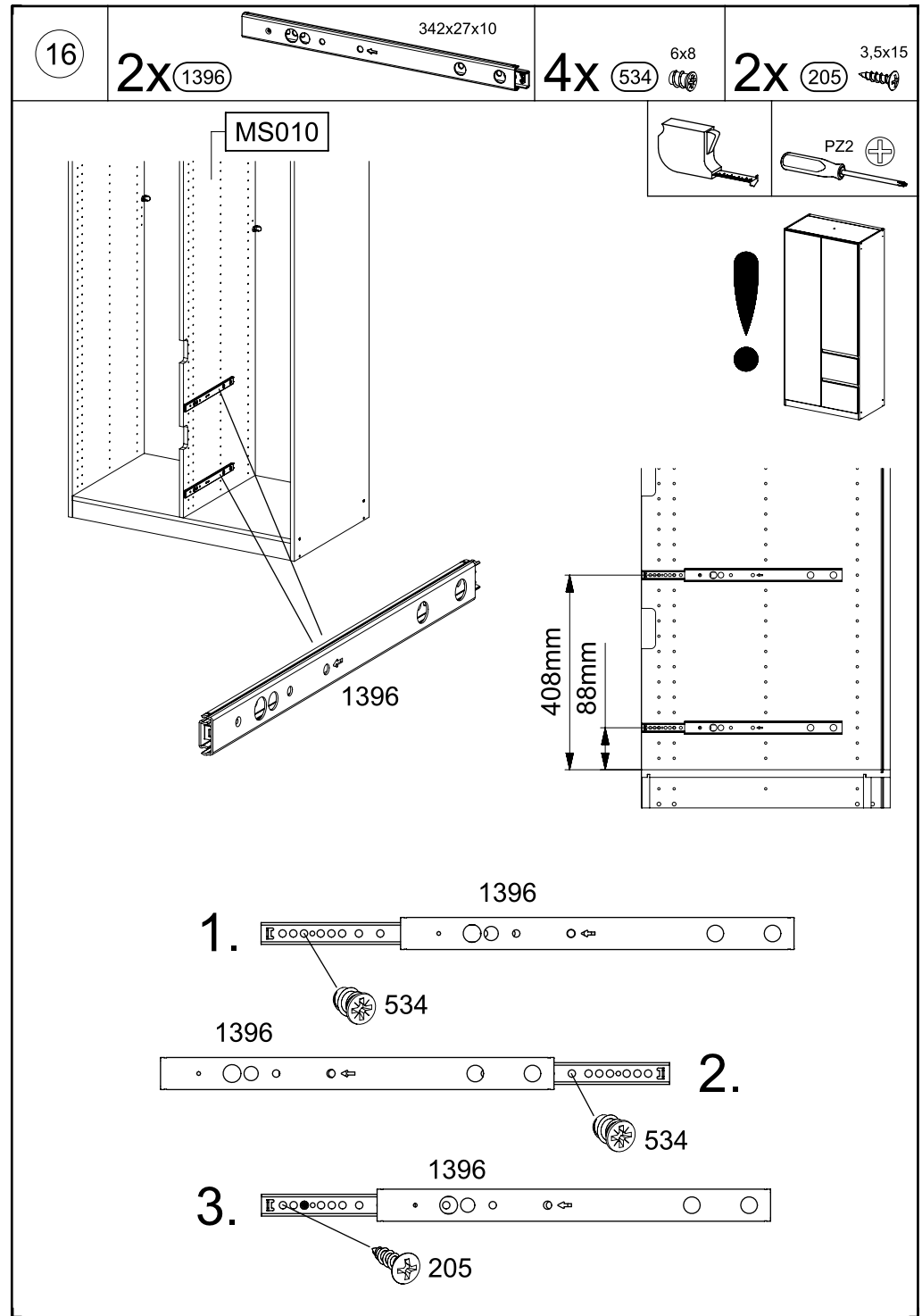
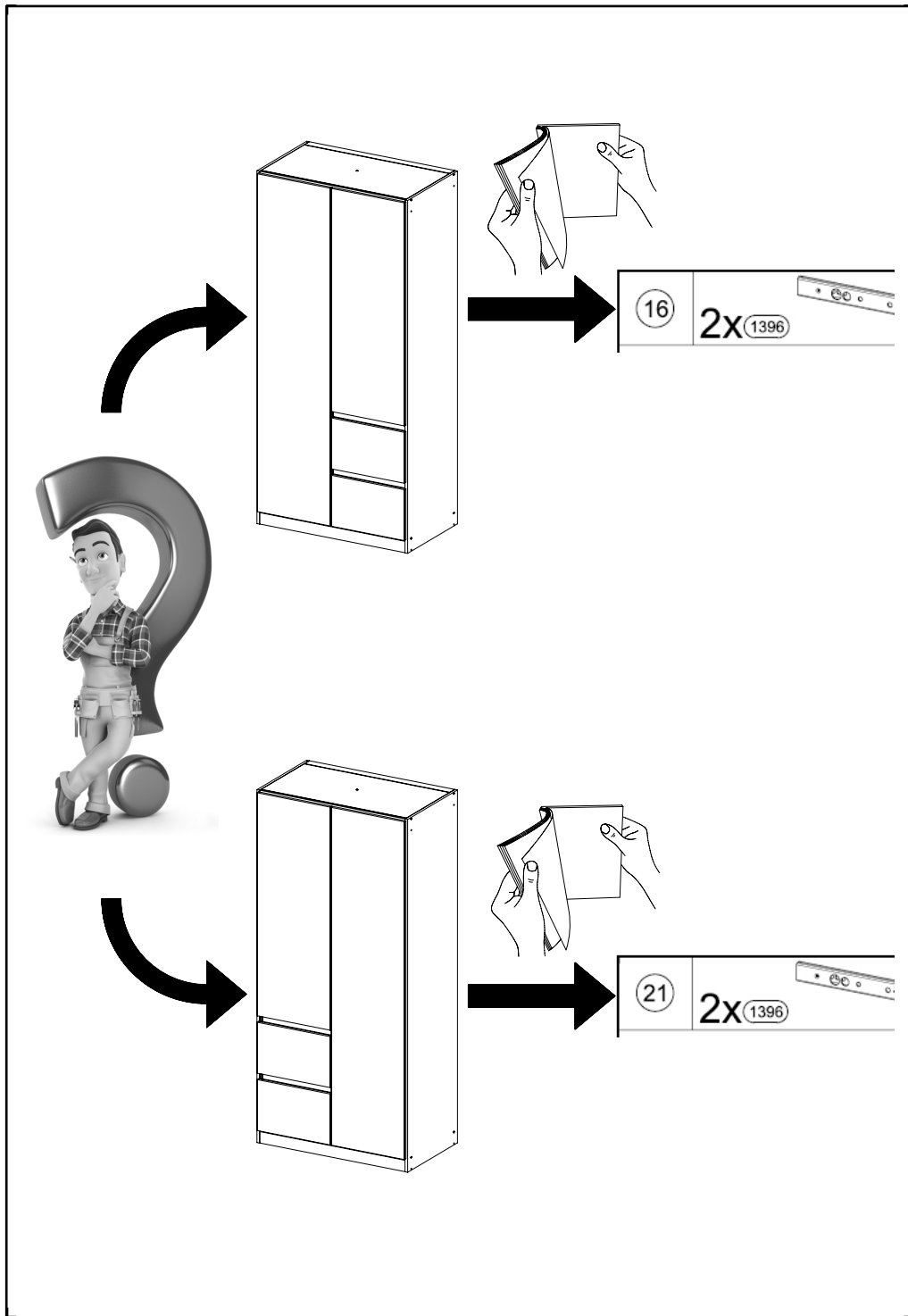
13

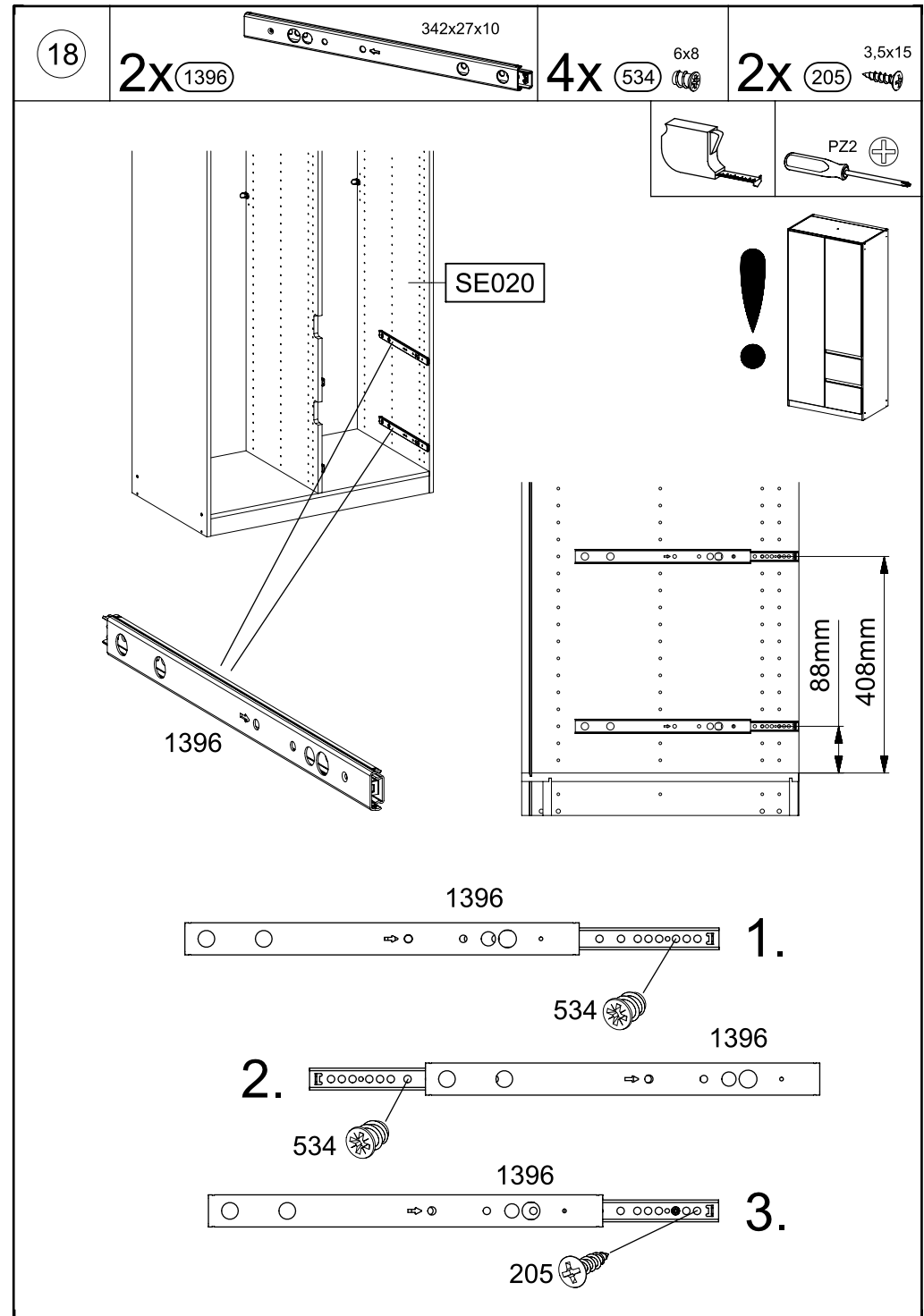
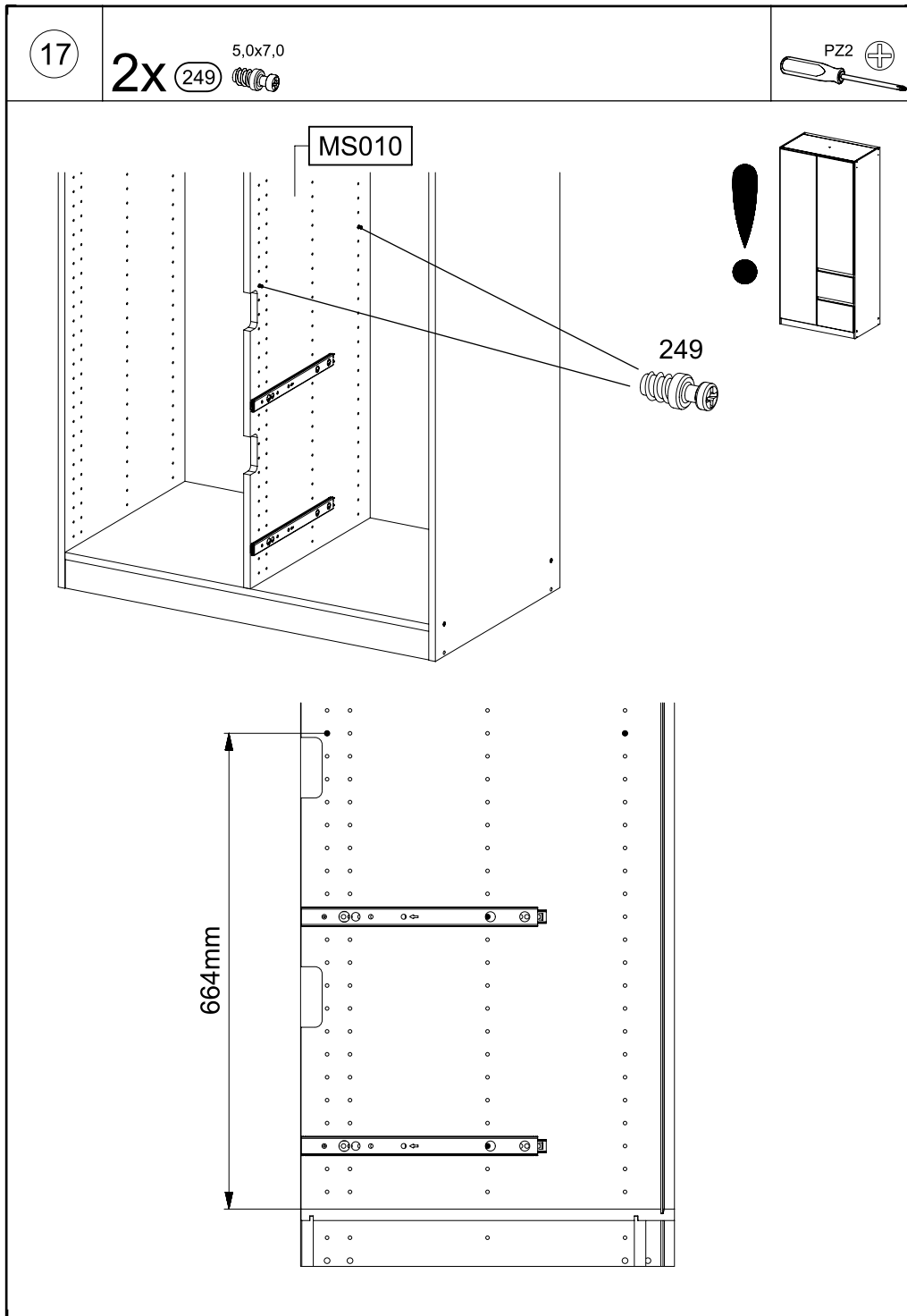
4x 233

6,3x50



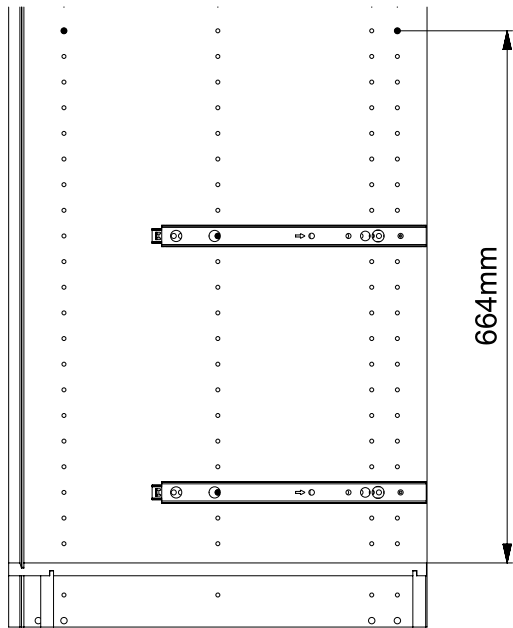
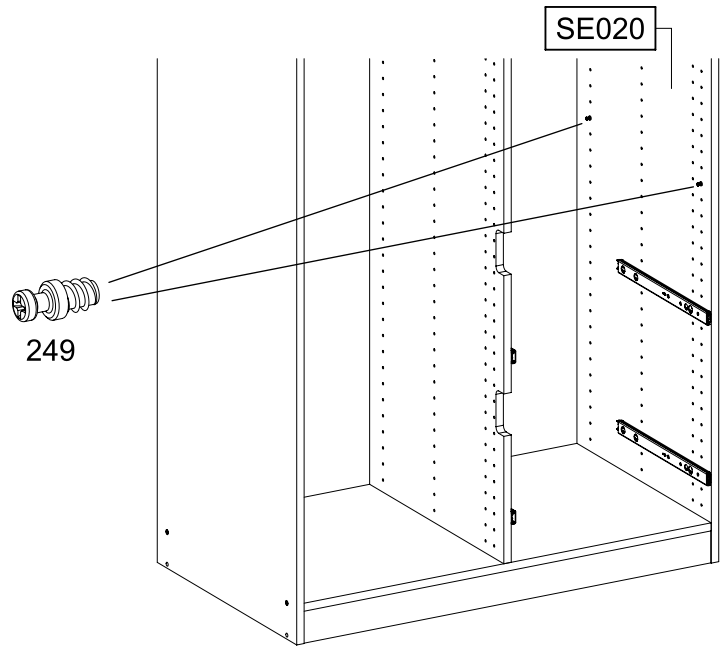
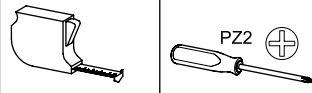




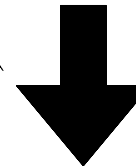
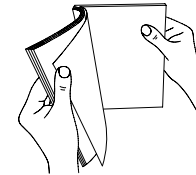
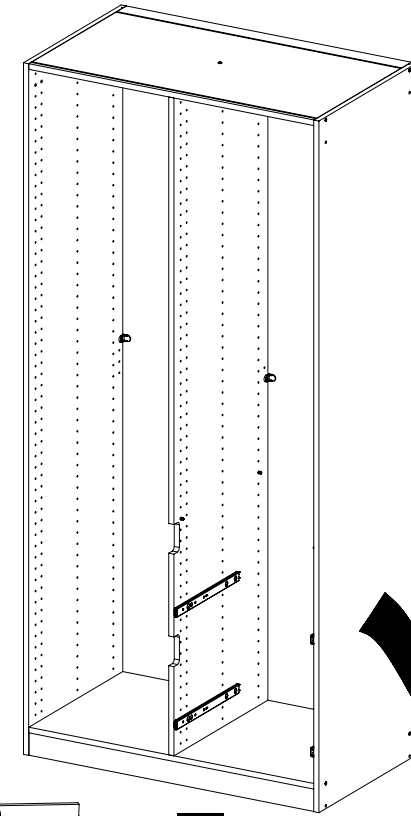


19

2x 249 5,0x7,0



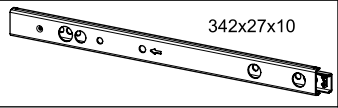
20



26 2x 1031 84x45x16

21

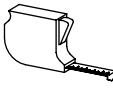
2x 1396



342x27x10

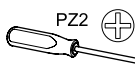
4x 534

6x8

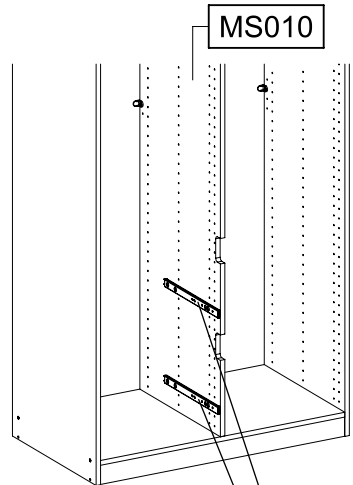
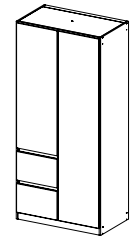


2x 205

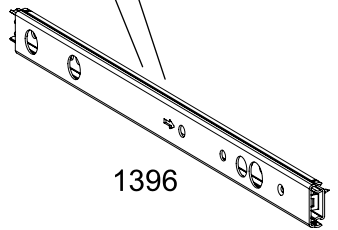
3,5x15



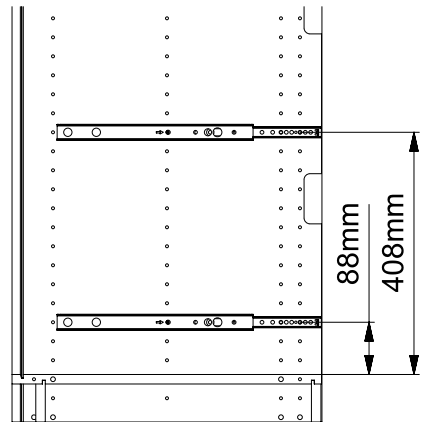
PZ2



MS010

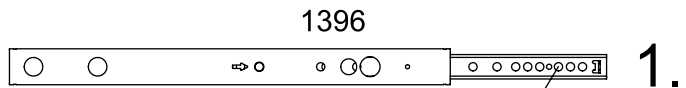


1396



88mm

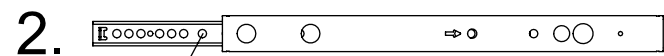
408mm



1396

1.

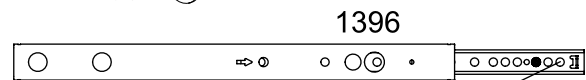
534



1396

2.

534



1396

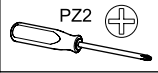
3.

205

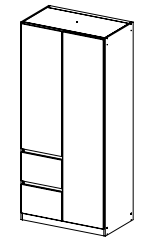
22

2x 249

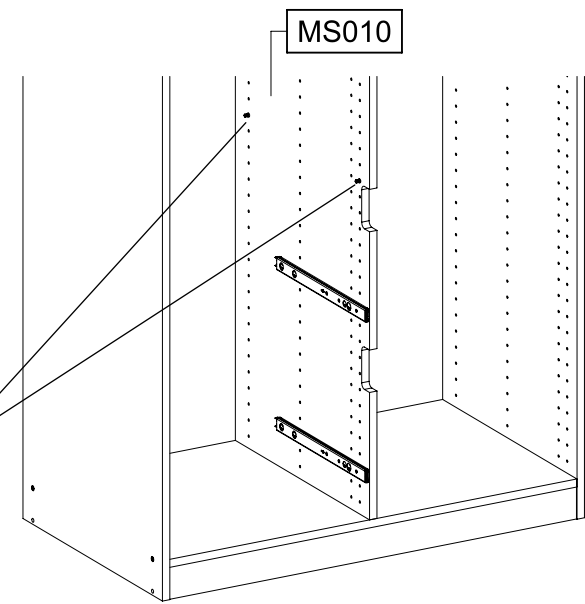
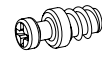
5,0x7,0



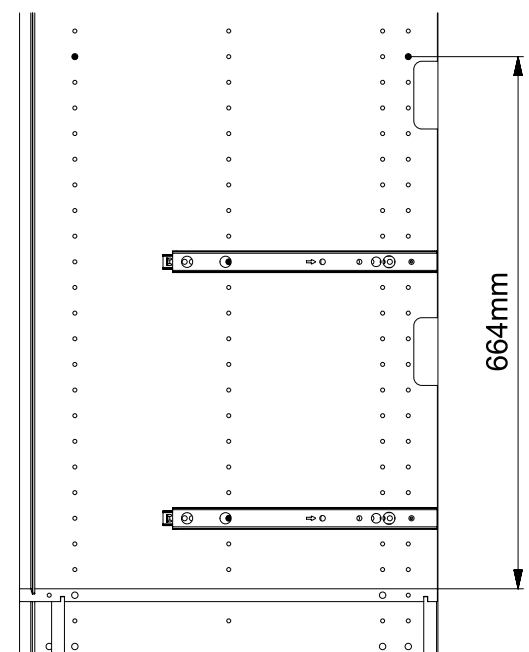
PZ2



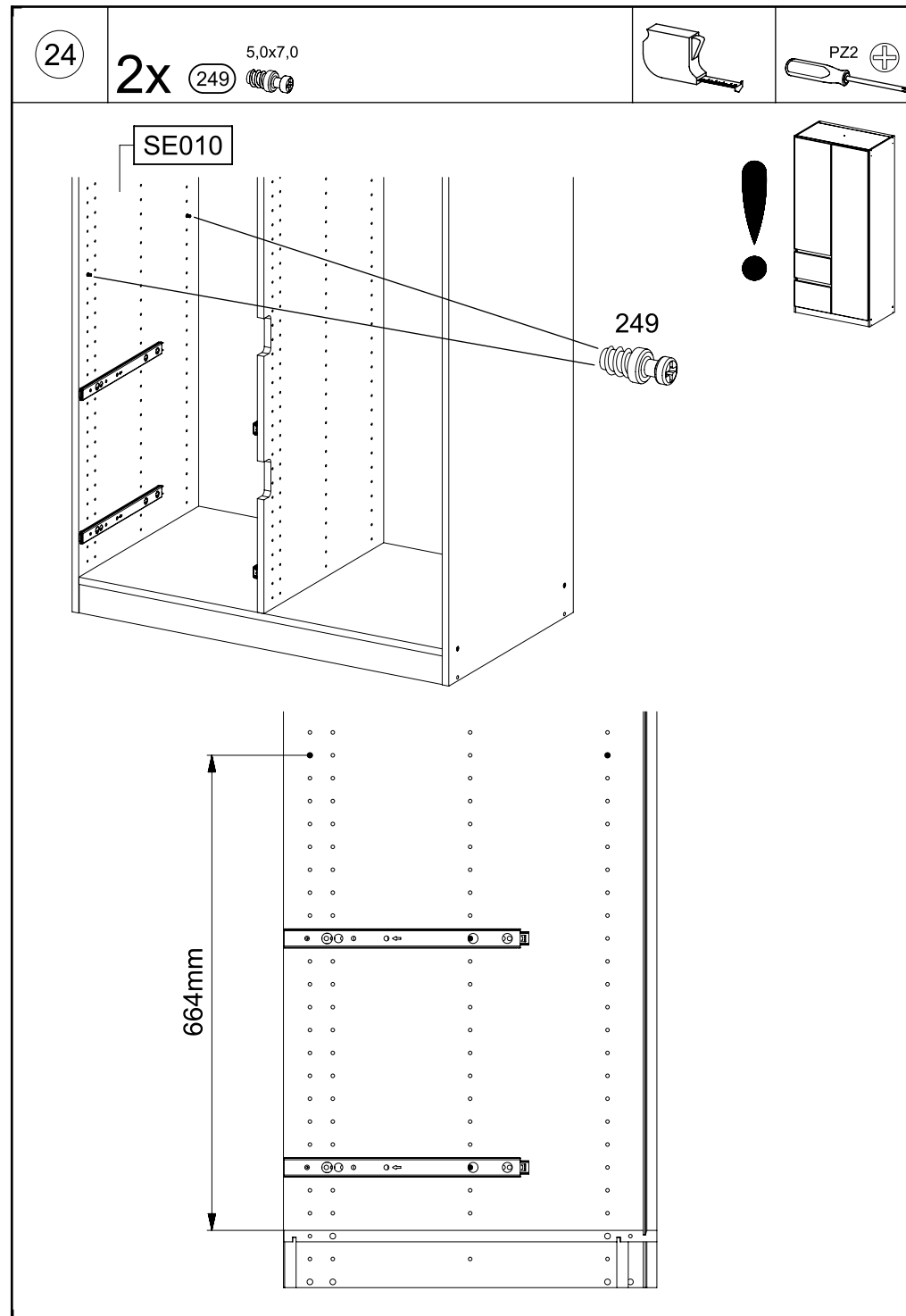
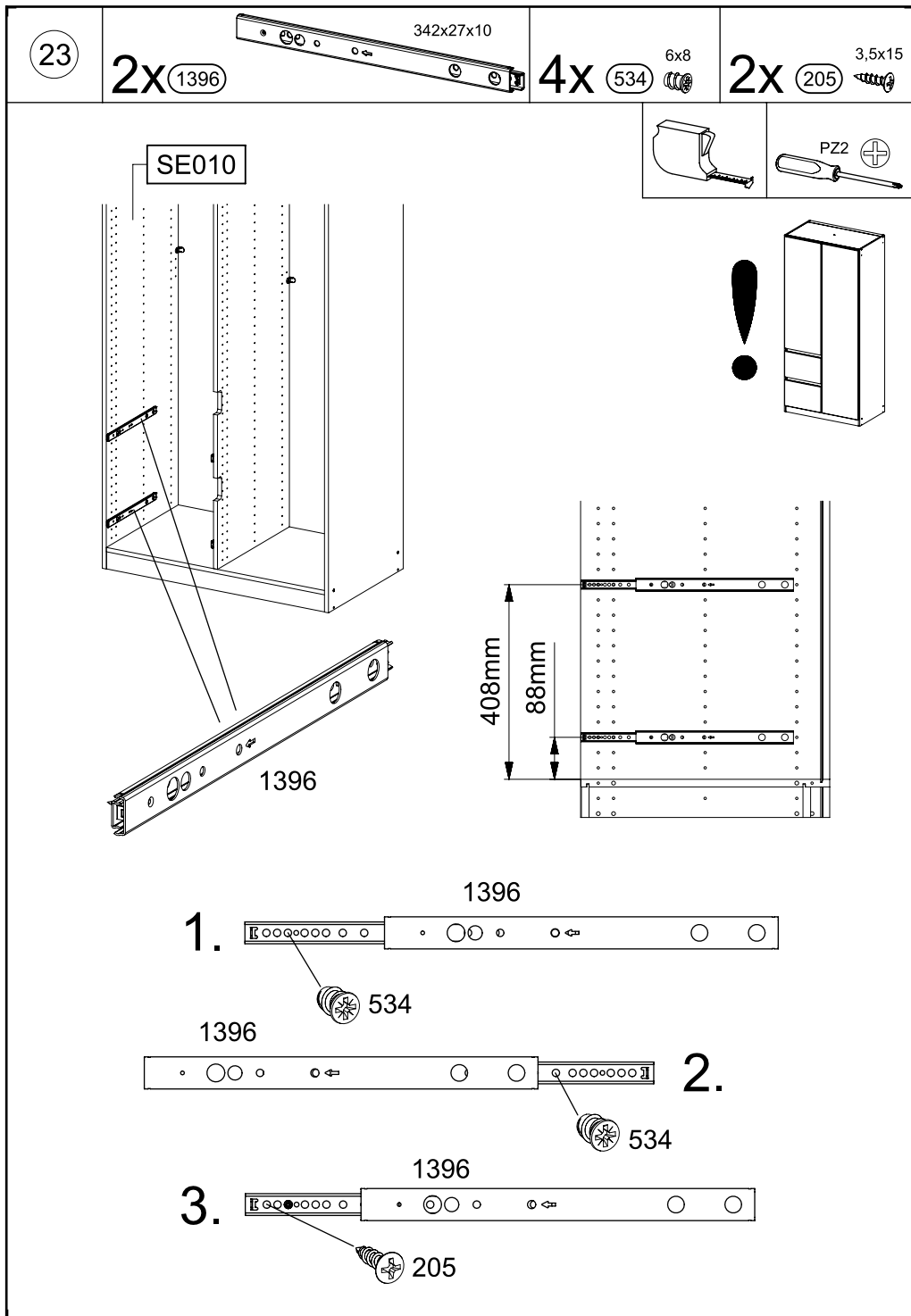
249



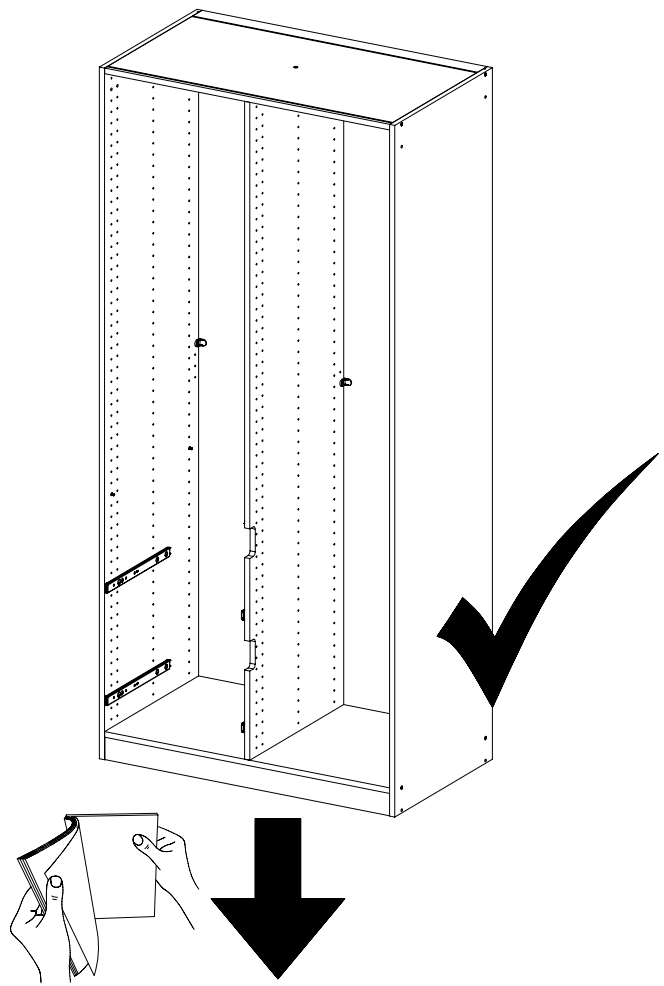
MS010



664mm



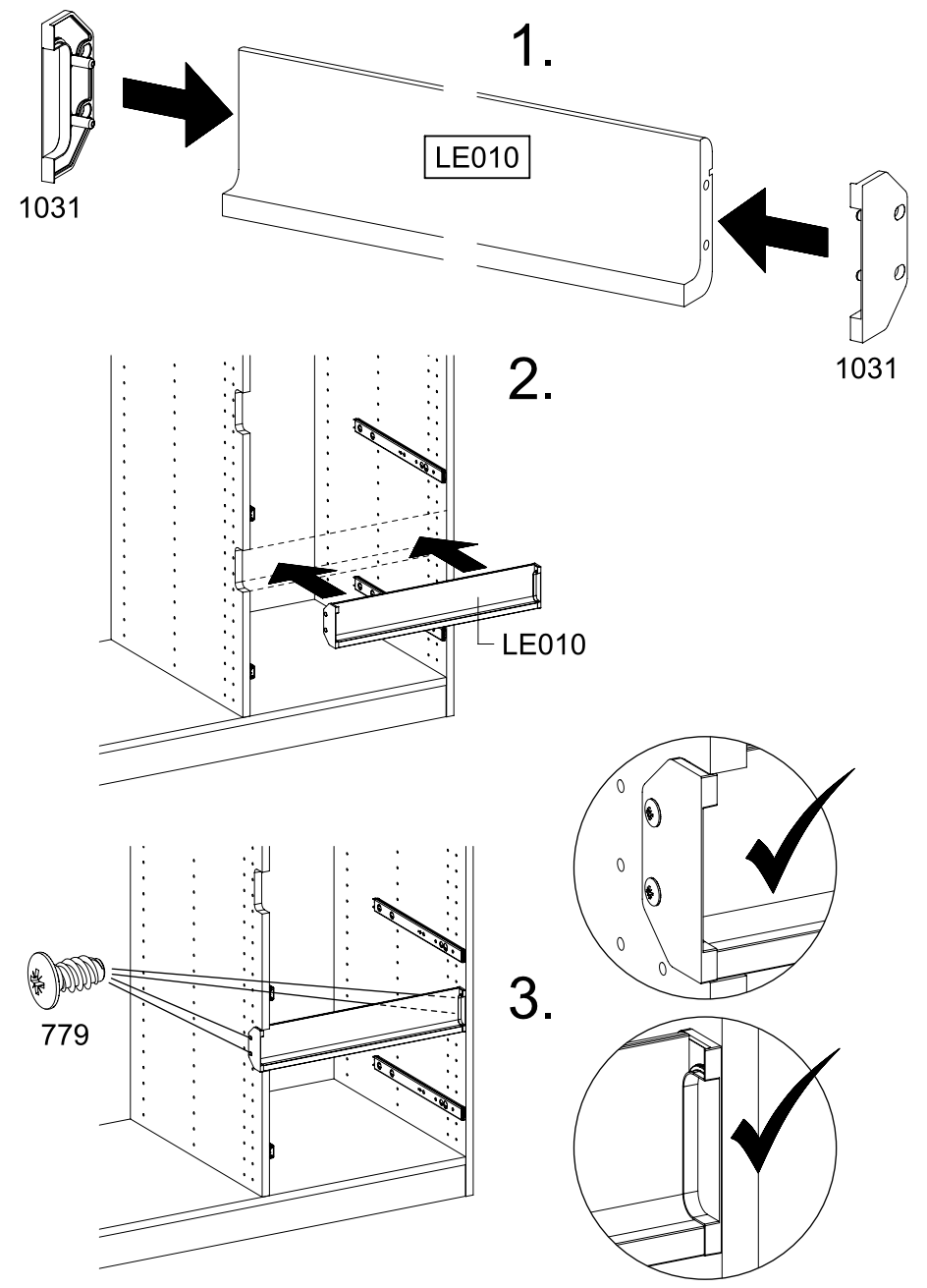
25



26 2x 1031 84x45x16

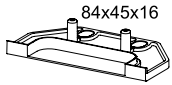
26

2x 1031 84x45x16 4x 779 6,5x12 PZ2



27

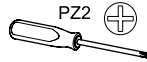
2x 1031



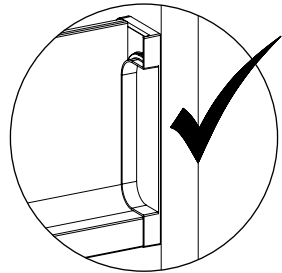
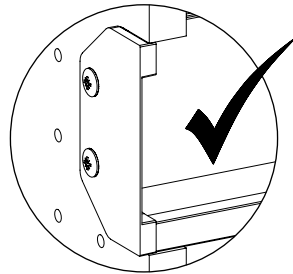
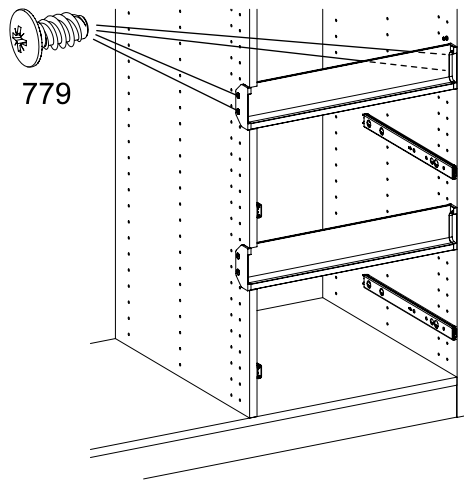
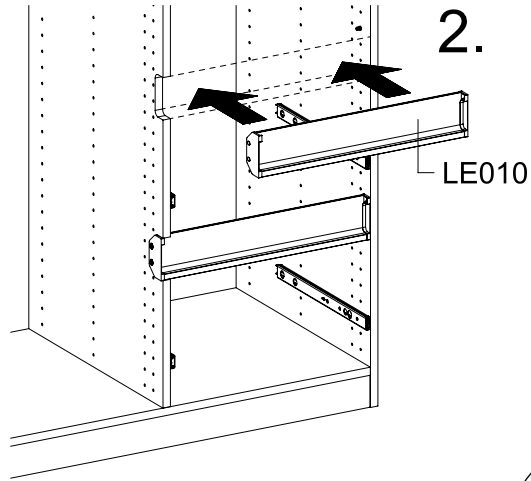
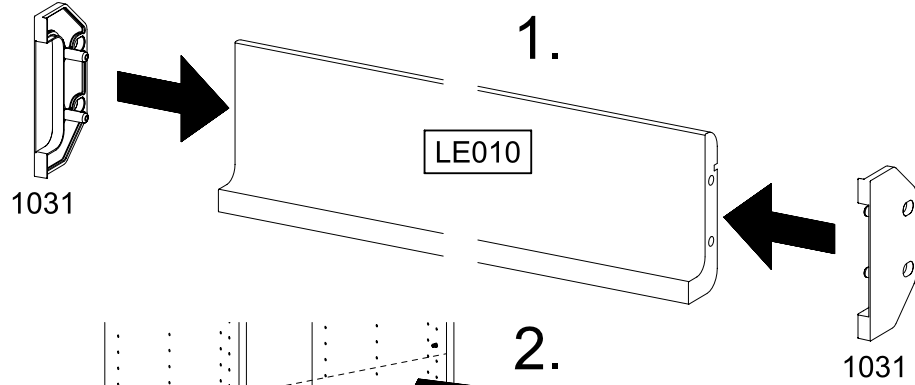
84x45x16

4x 779

6,5x12

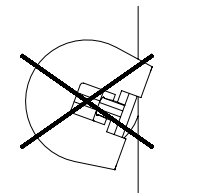
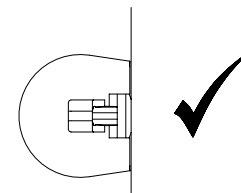
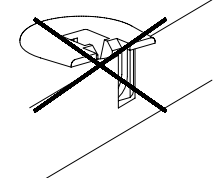
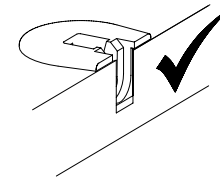
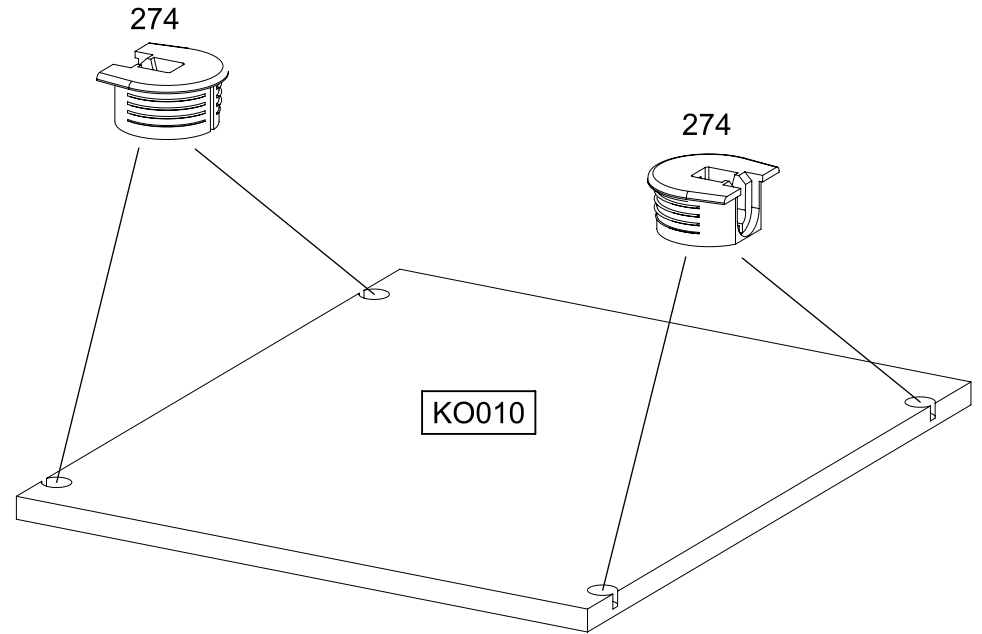
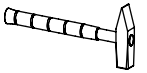


PZ2



28

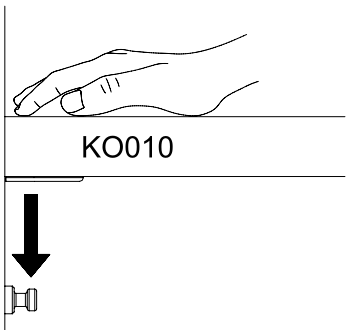
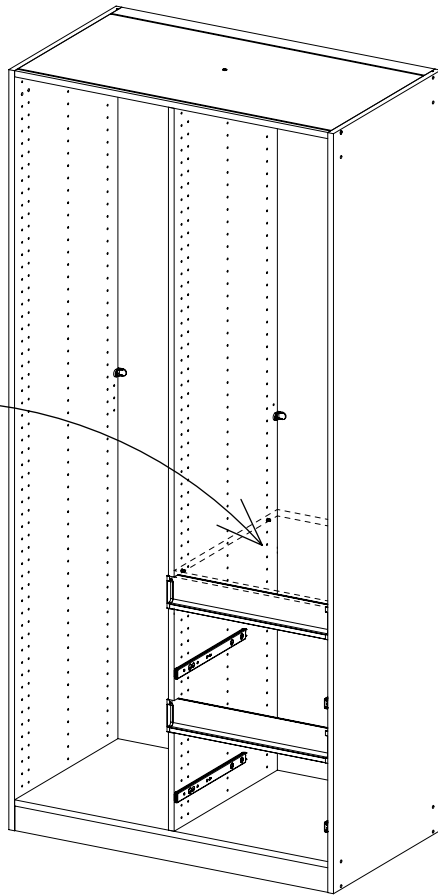
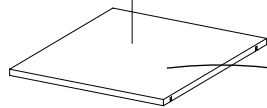
4x 274



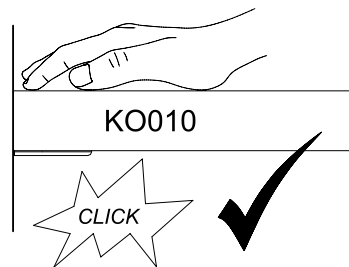
29



KO010



KO010



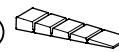
KO010

30

2x

12

55x16x6,2



2x

201

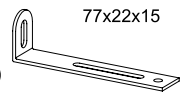
4x15



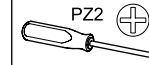
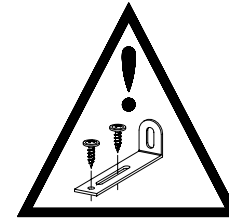
1x

68

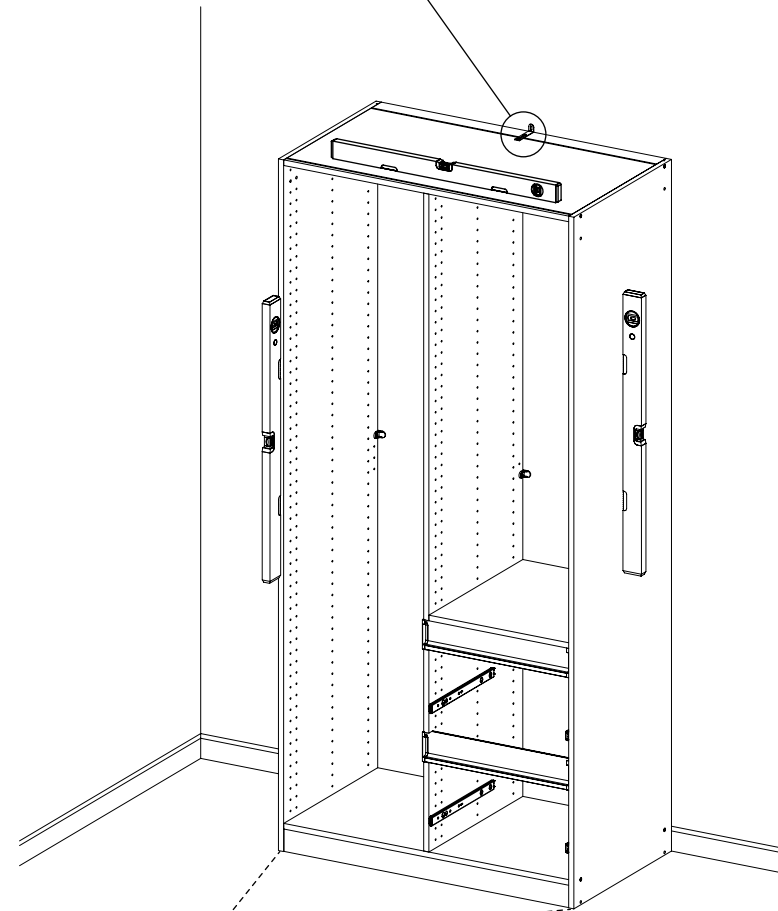
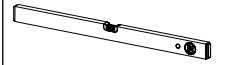
77x22x15



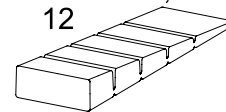
SCAN ME



PZ2

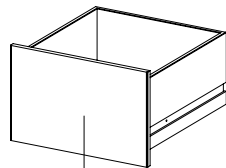
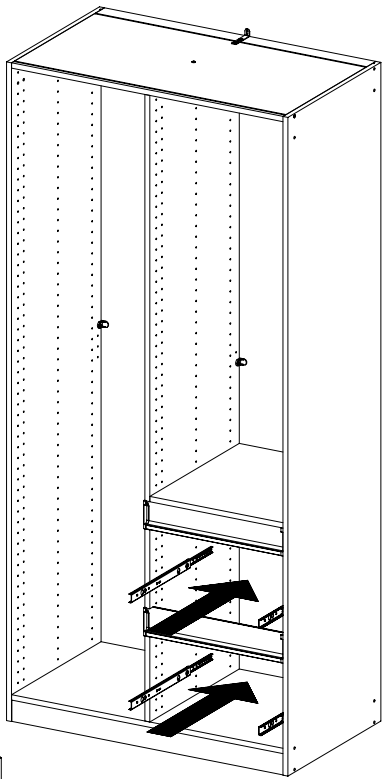
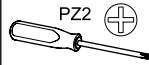


12

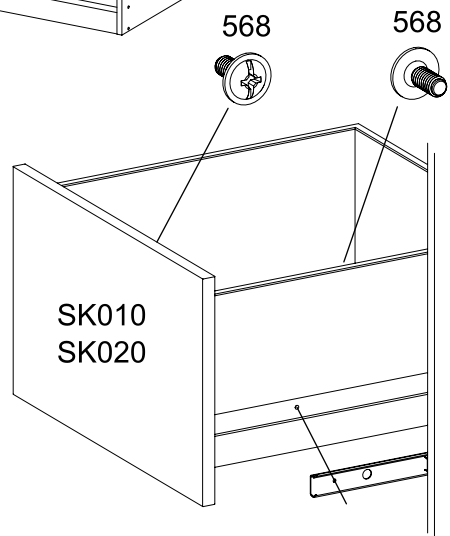


31

4x 568 M4x9



SK010
SK020

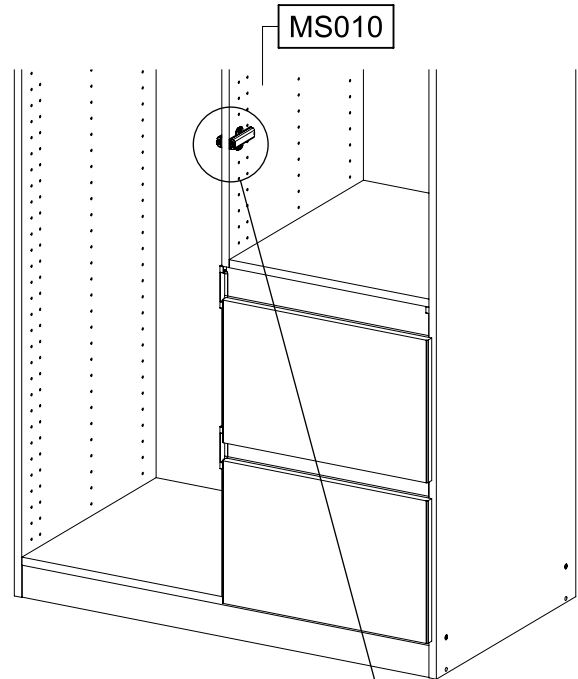
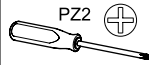


SK010
SK020

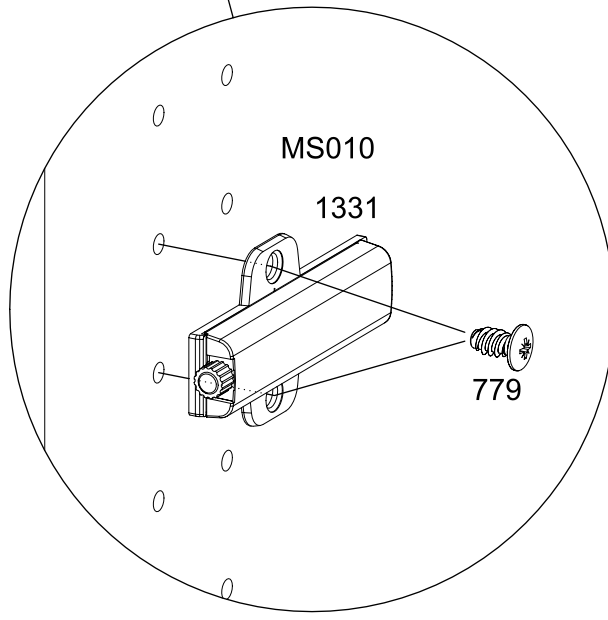
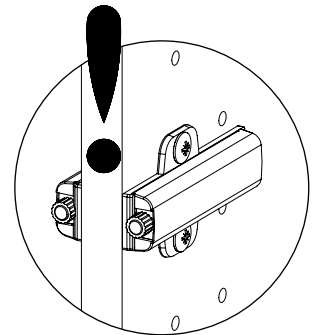
32

2x 1331 MS010

4x 779 6,5x12



MS010



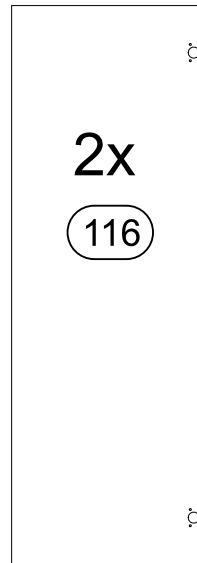
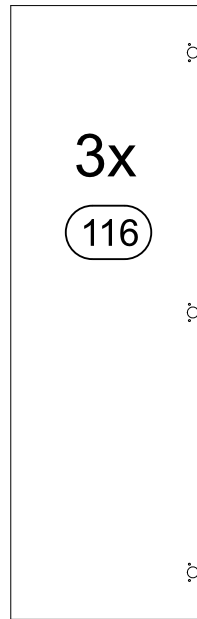
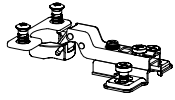
MS010

1331

779

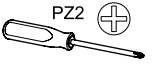
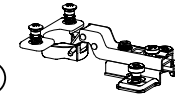
33

116

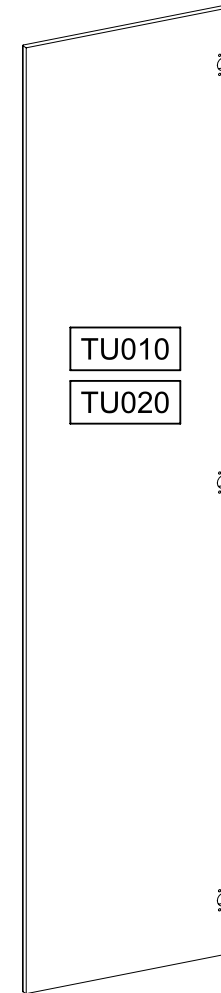


34

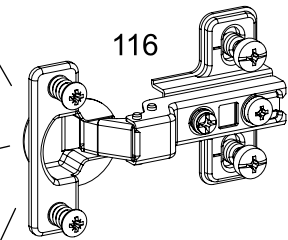
5-7x 116



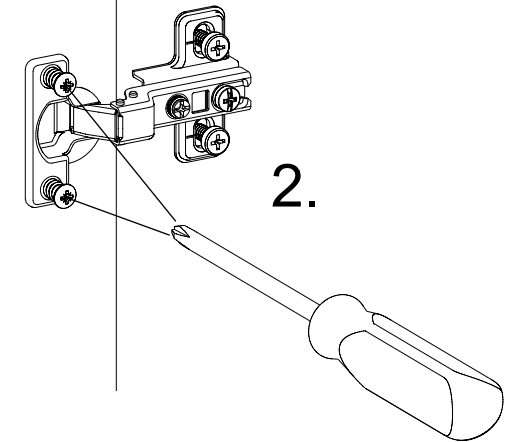
SCAN ME



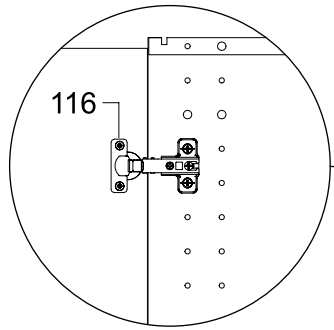
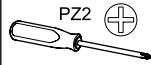
1.



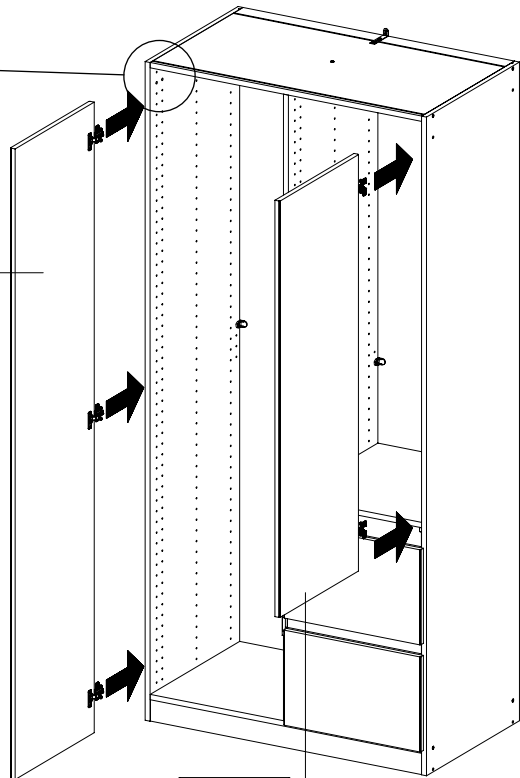
2.



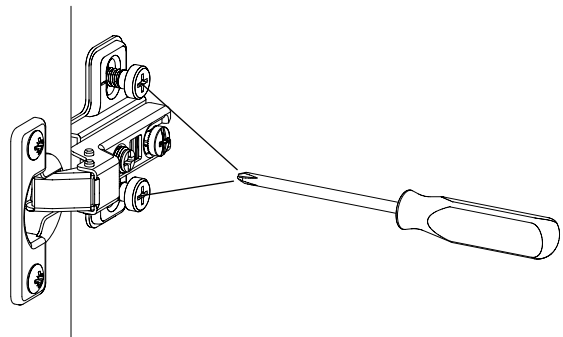
35



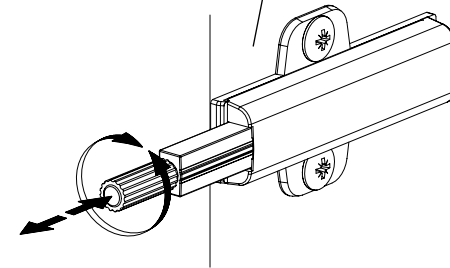
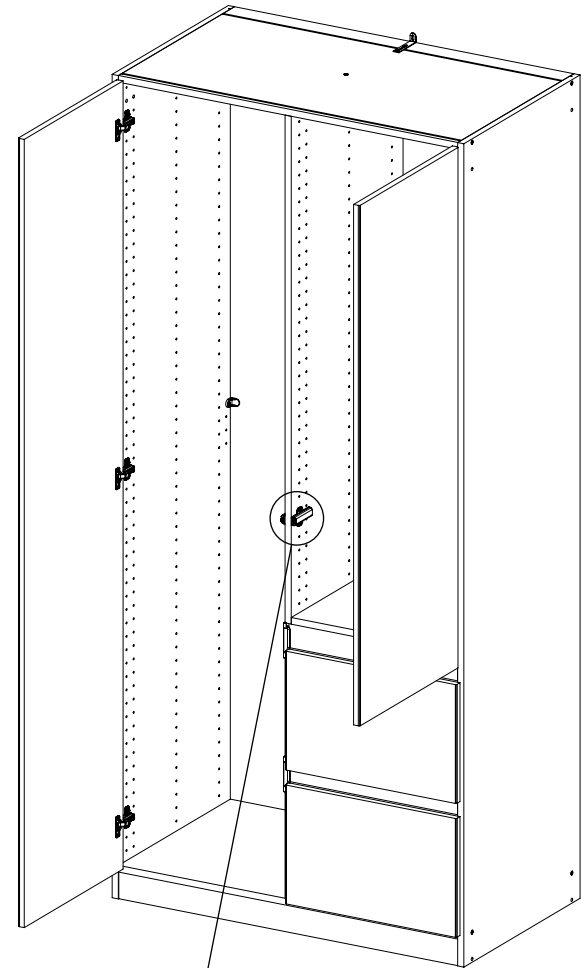
TU010



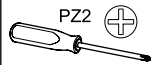
TU020



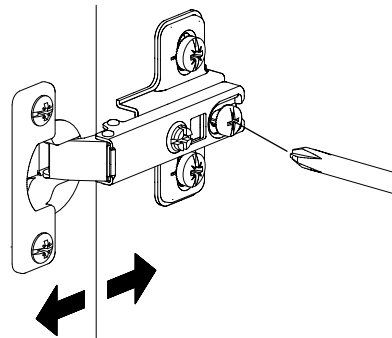
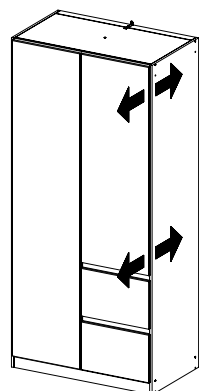
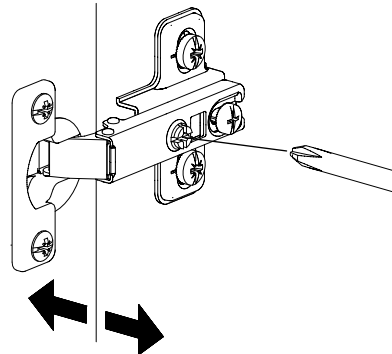
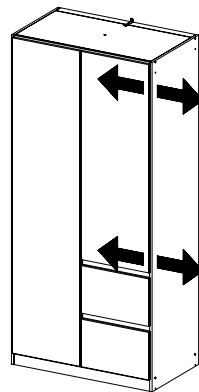
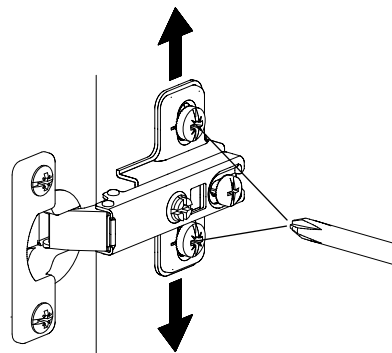
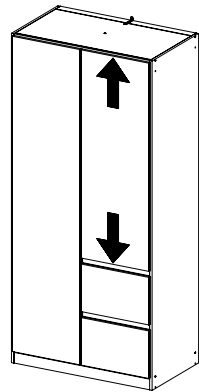
36



37

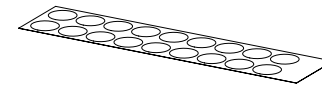


SCAN ME

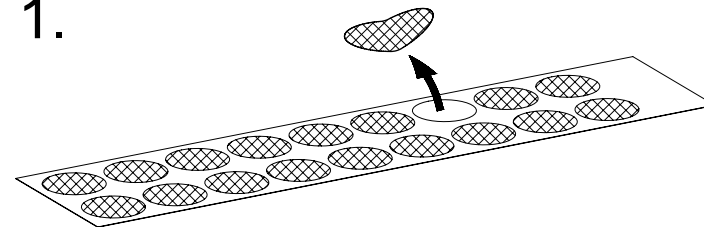


38

1x RE010



1.



2.

