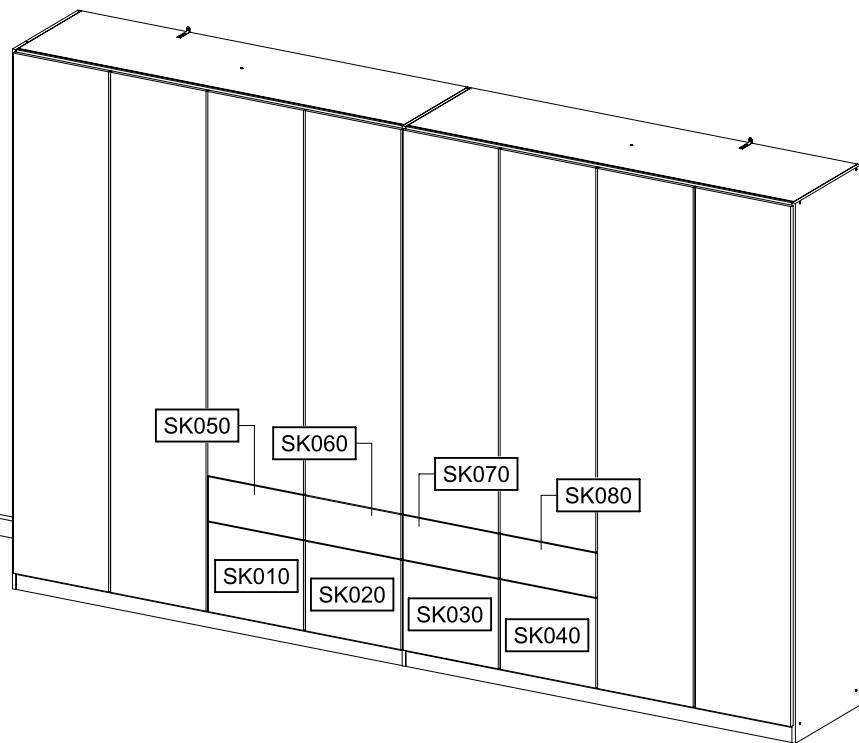
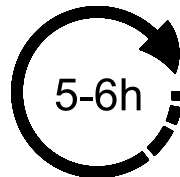
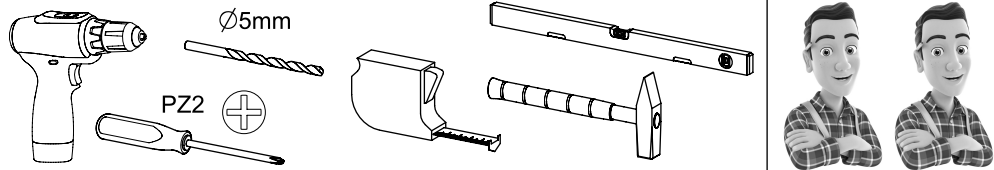
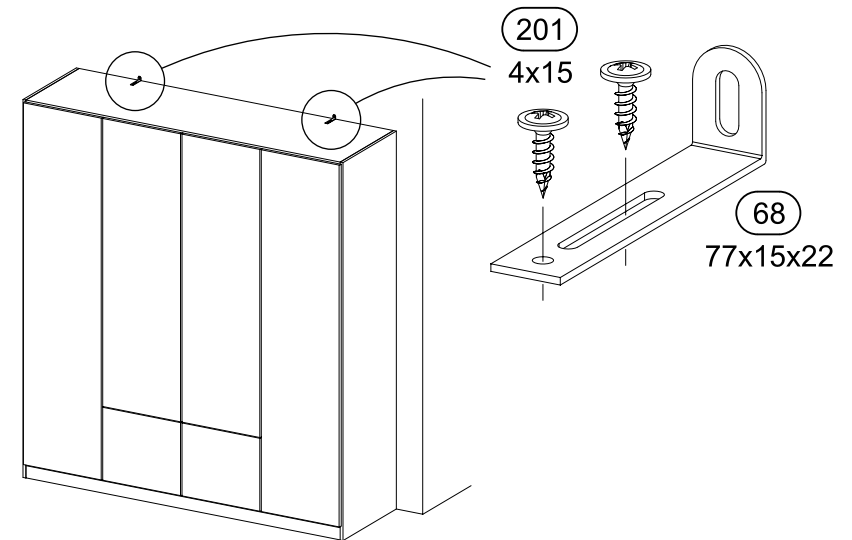
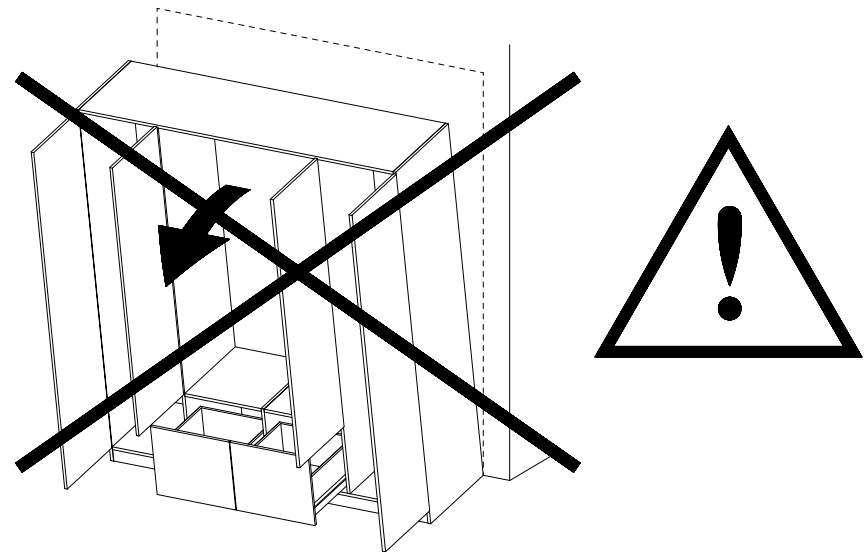


1.

M3228_01



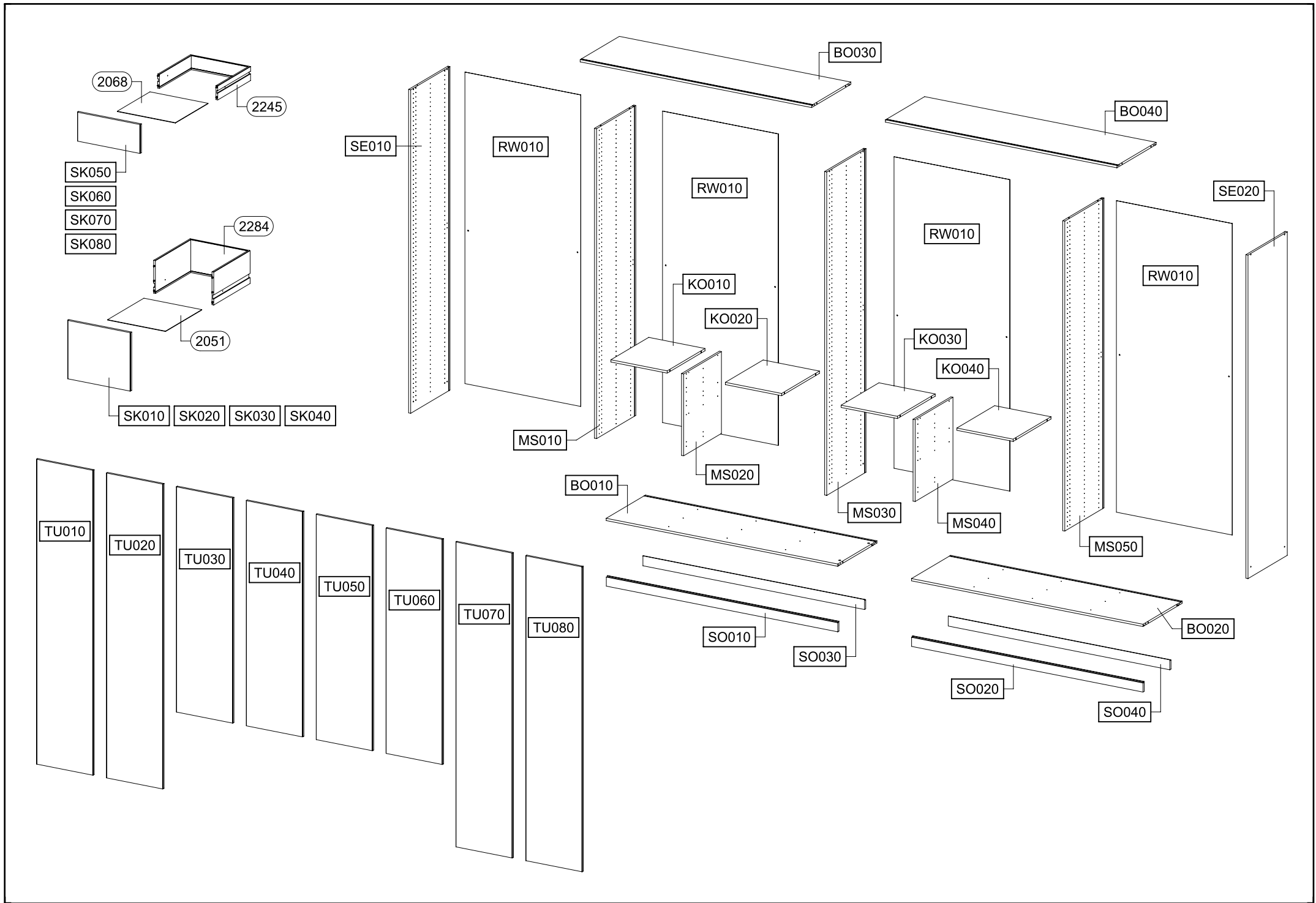
2.

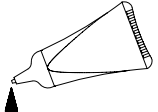


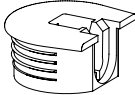

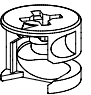
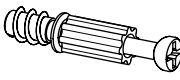
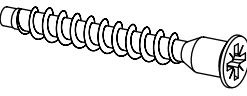



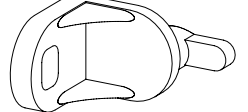
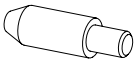
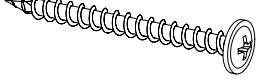
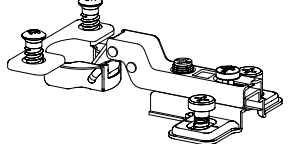
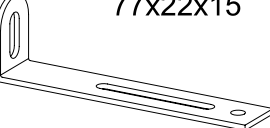
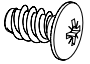
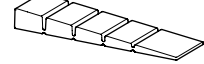
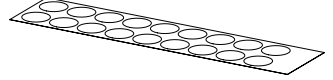
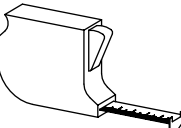
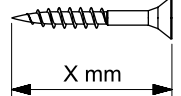
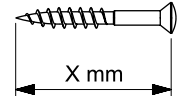
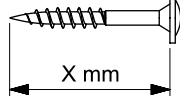


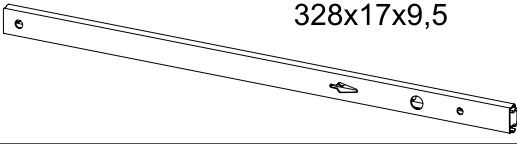
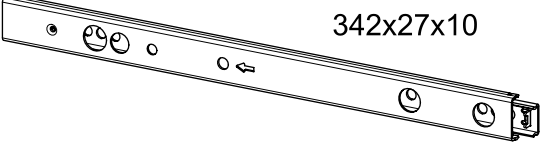
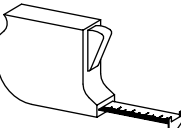
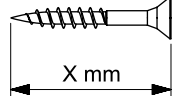
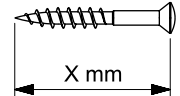
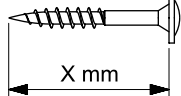
VIDEO



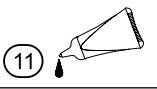
SCAN ME



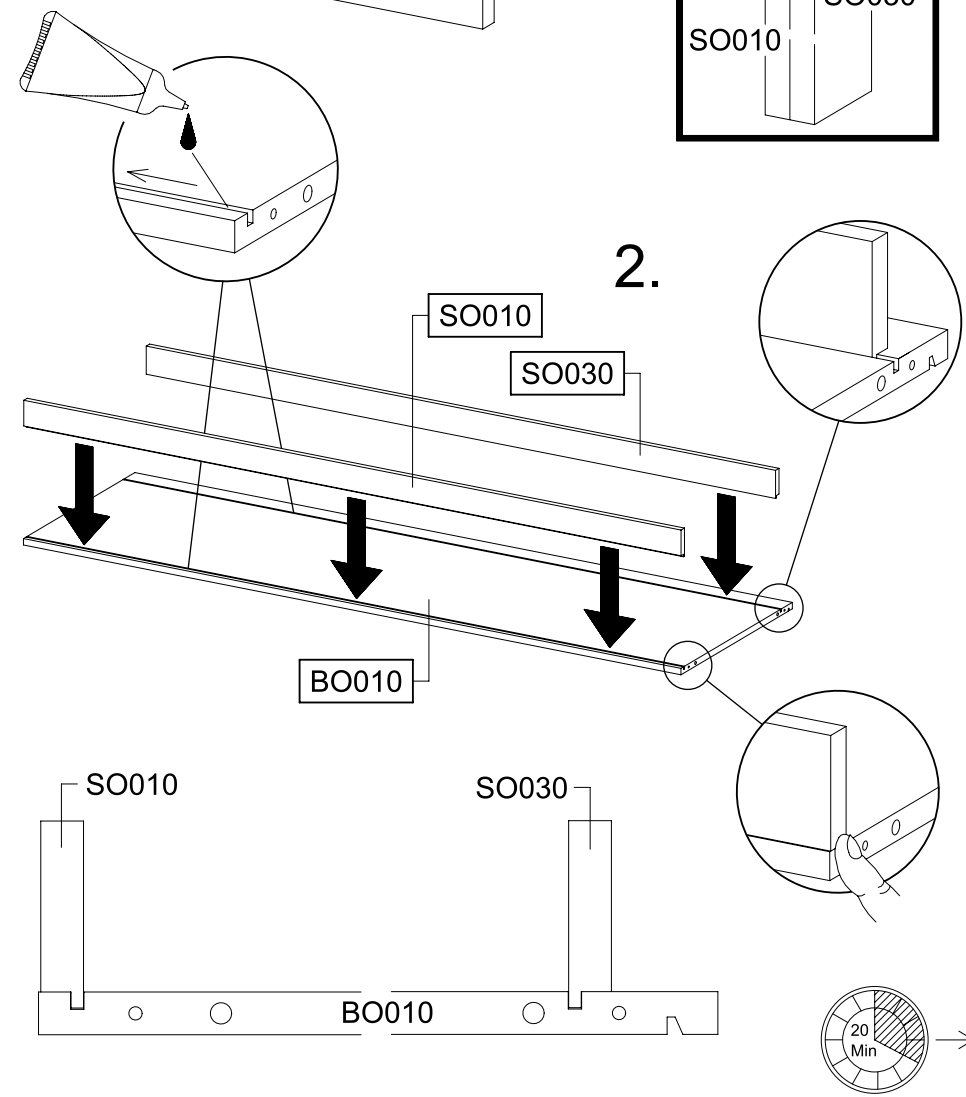
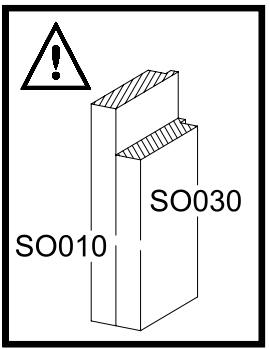
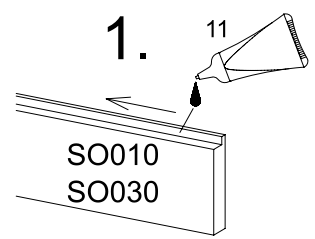
 11	4x 4x15  201	16x M4x9  568	
16x  274	16x 5,0x7,0  249	4x  173	
4x  183	12x 6,3x50  233	32x 6x8  534	
8x 8x30  18	16x 3,5x15  205	8x 1 	
12x  807	2x 4,5x50  296		
28x  116	2x 77x22x15  68		
8x 6,5x12  779	4x 55x16x6,2  12	1x RE010 	
	 X mm	 X mm	 X mm

8x  251	328x17x9,5		
8x  1396	342x27x10		
	 X mm	 X mm	 X mm

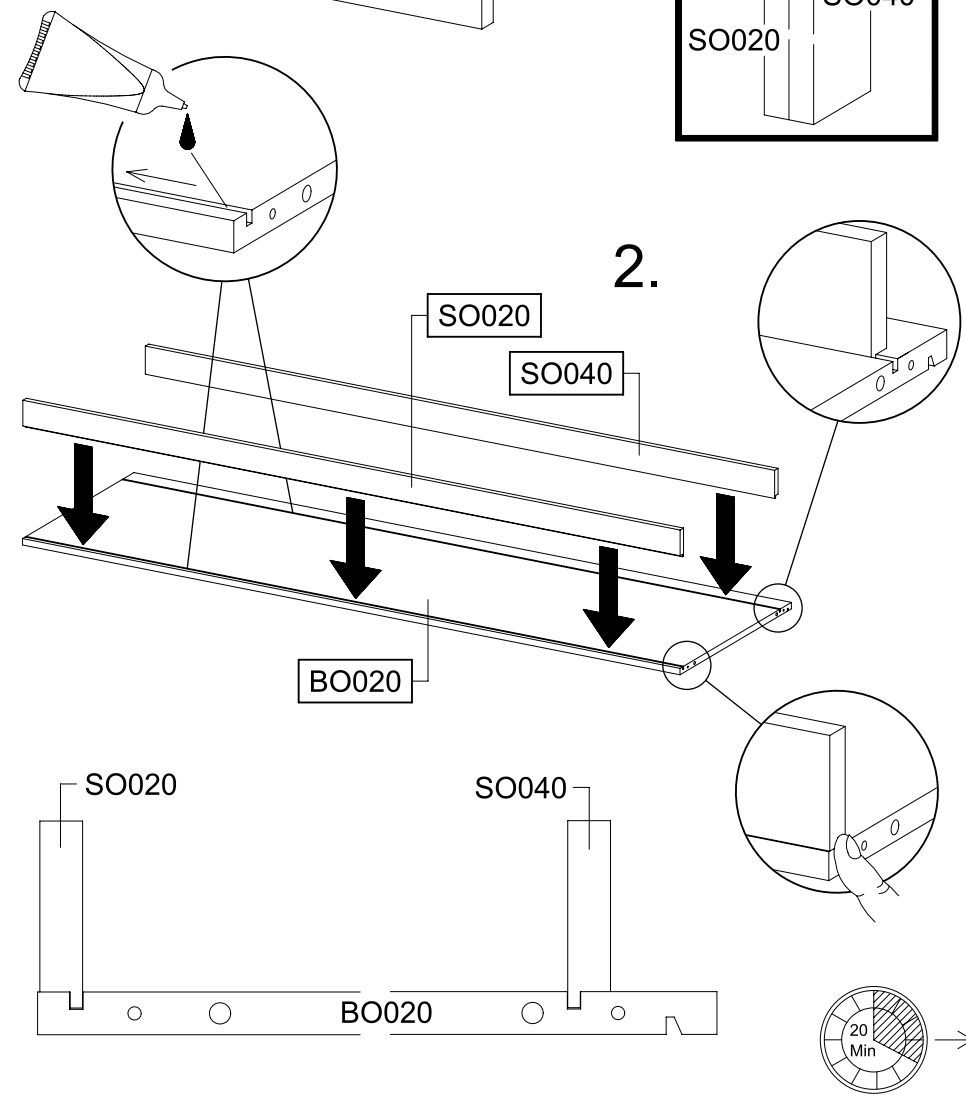
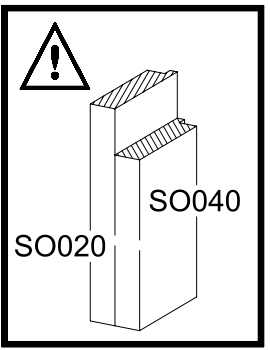
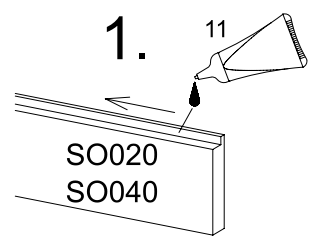
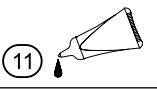
1



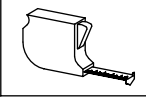
SCAN ME



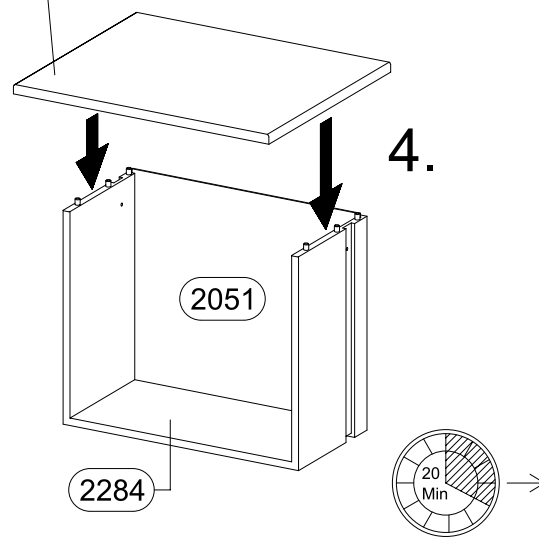
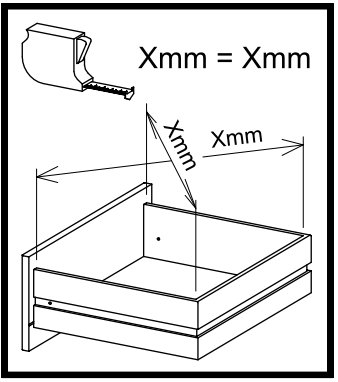
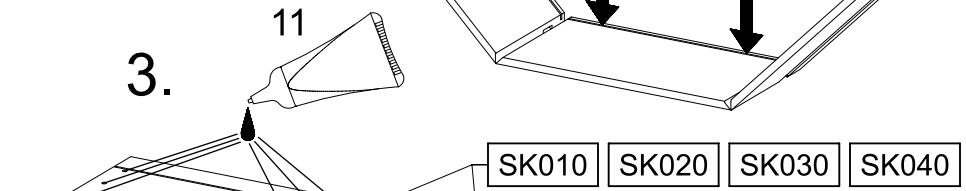
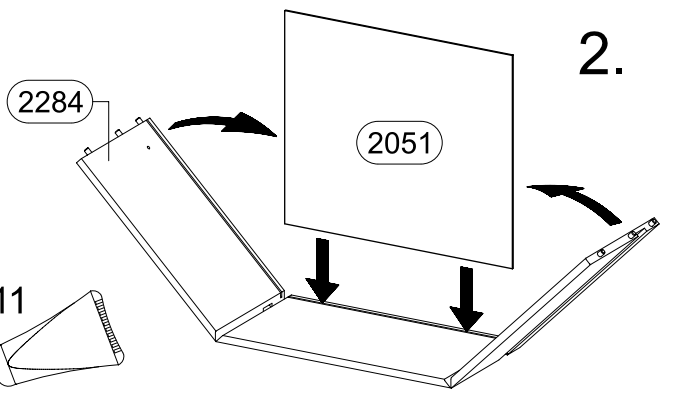
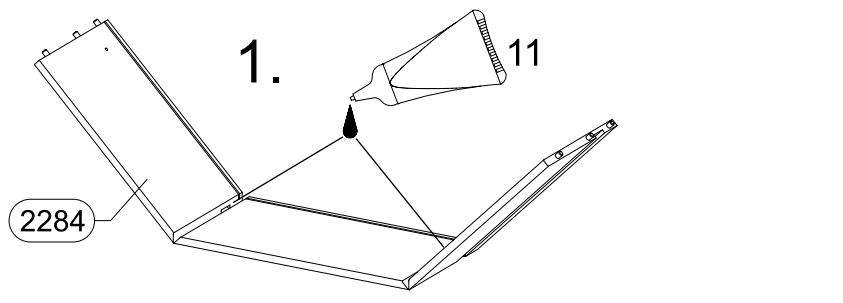
2



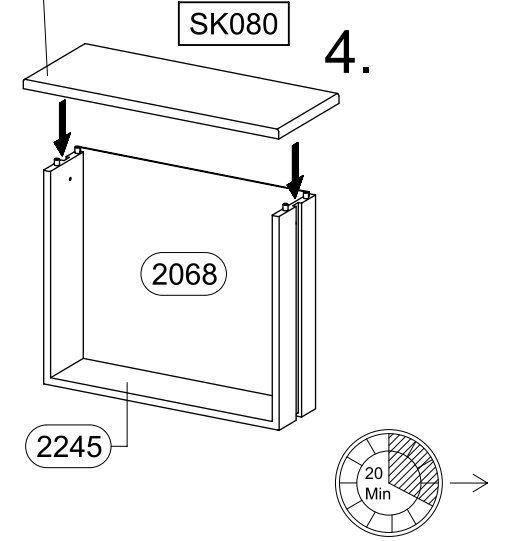
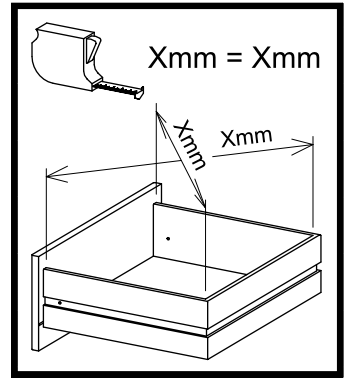
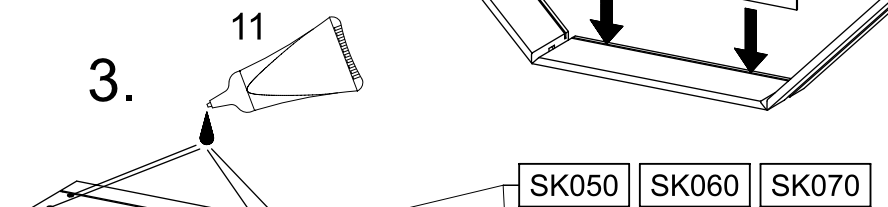
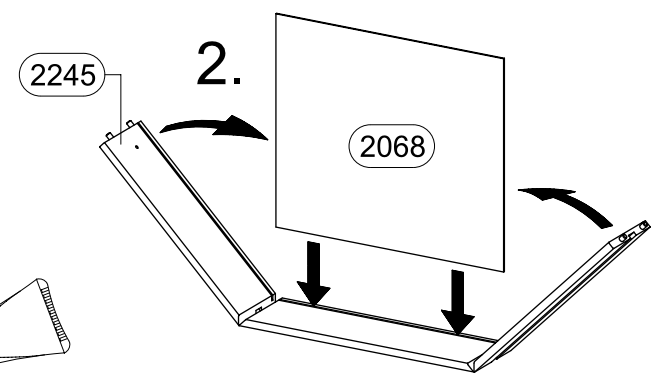
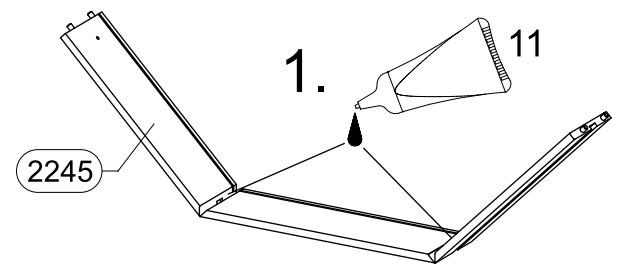
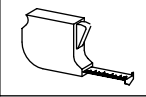
3

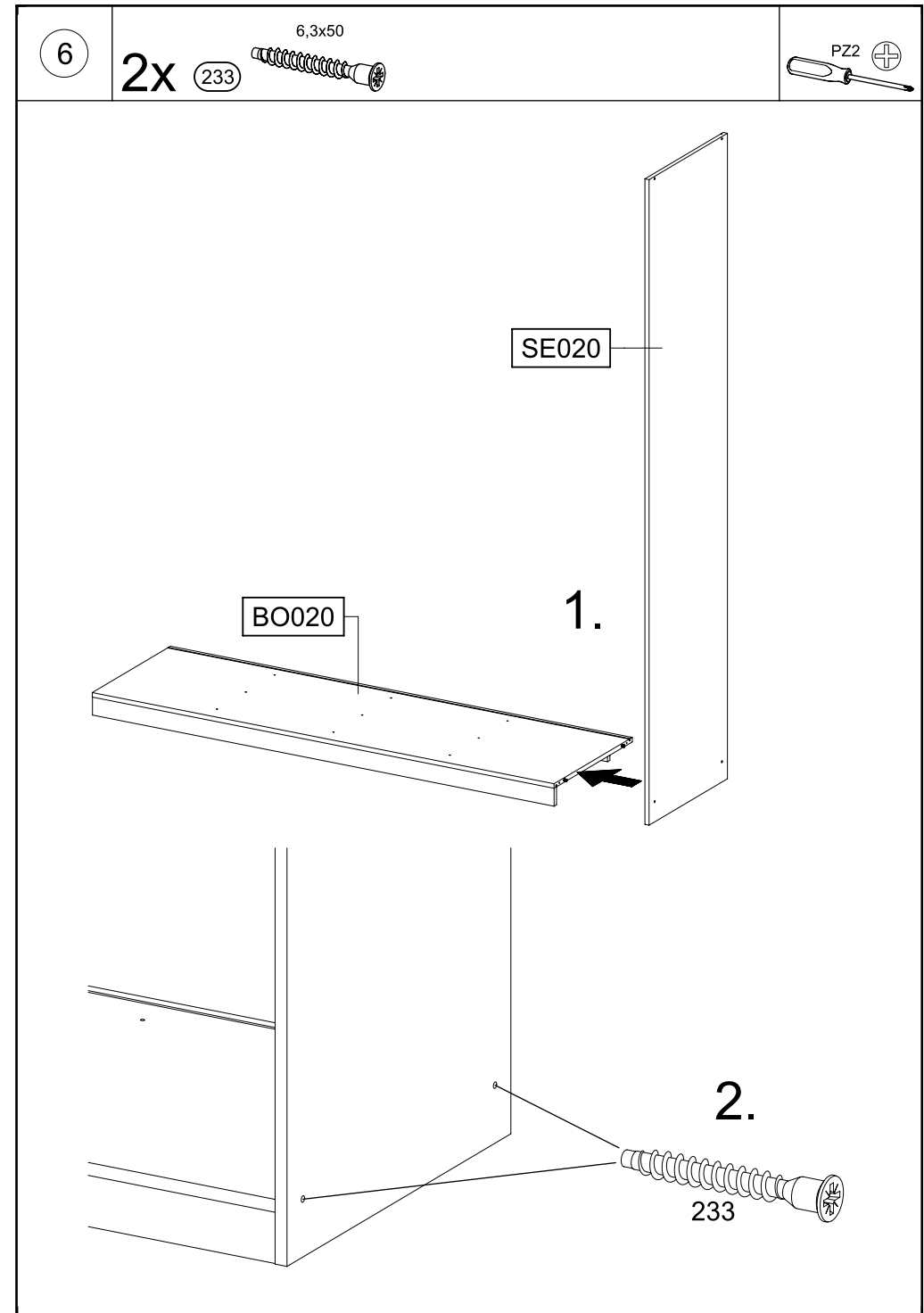
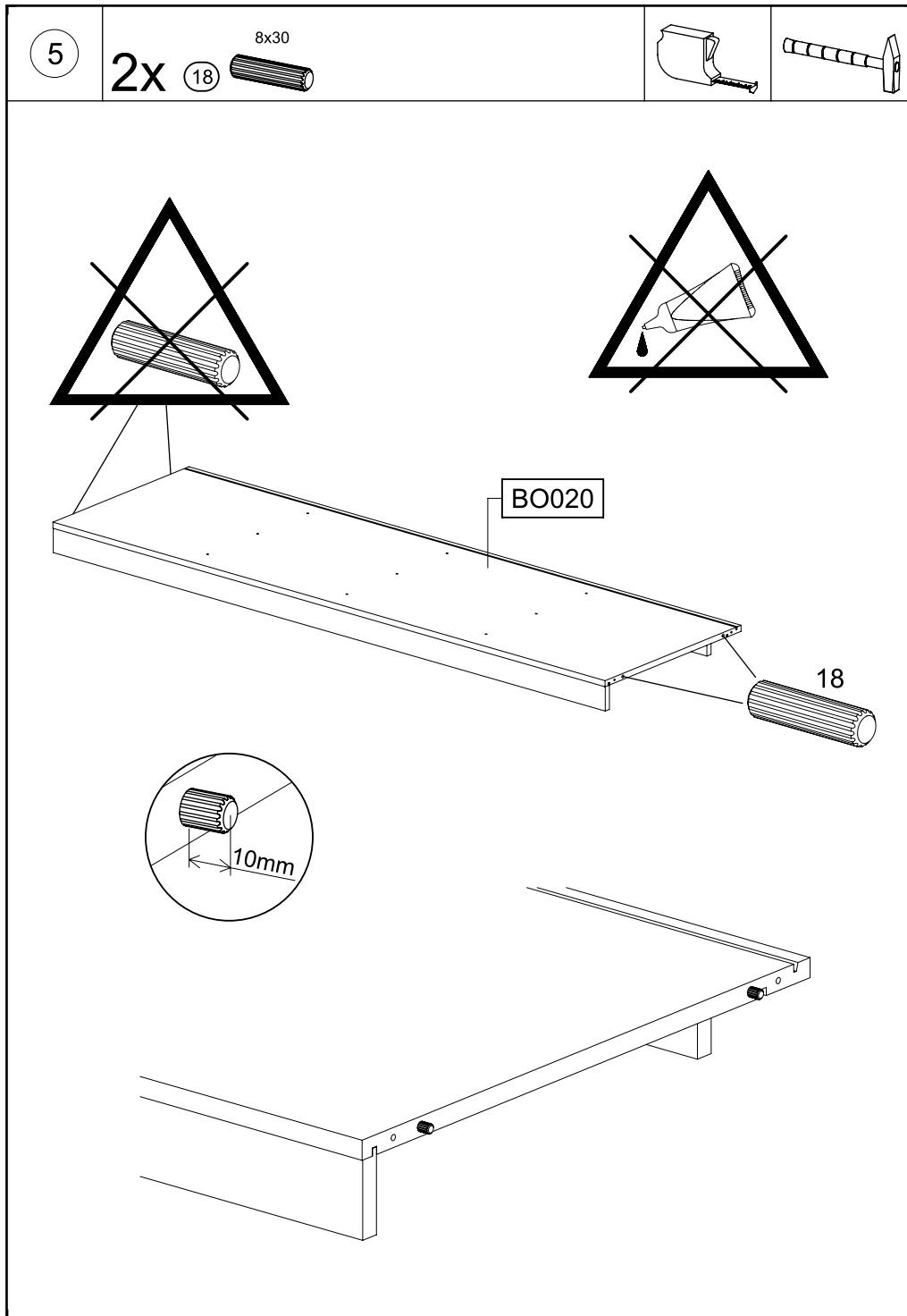


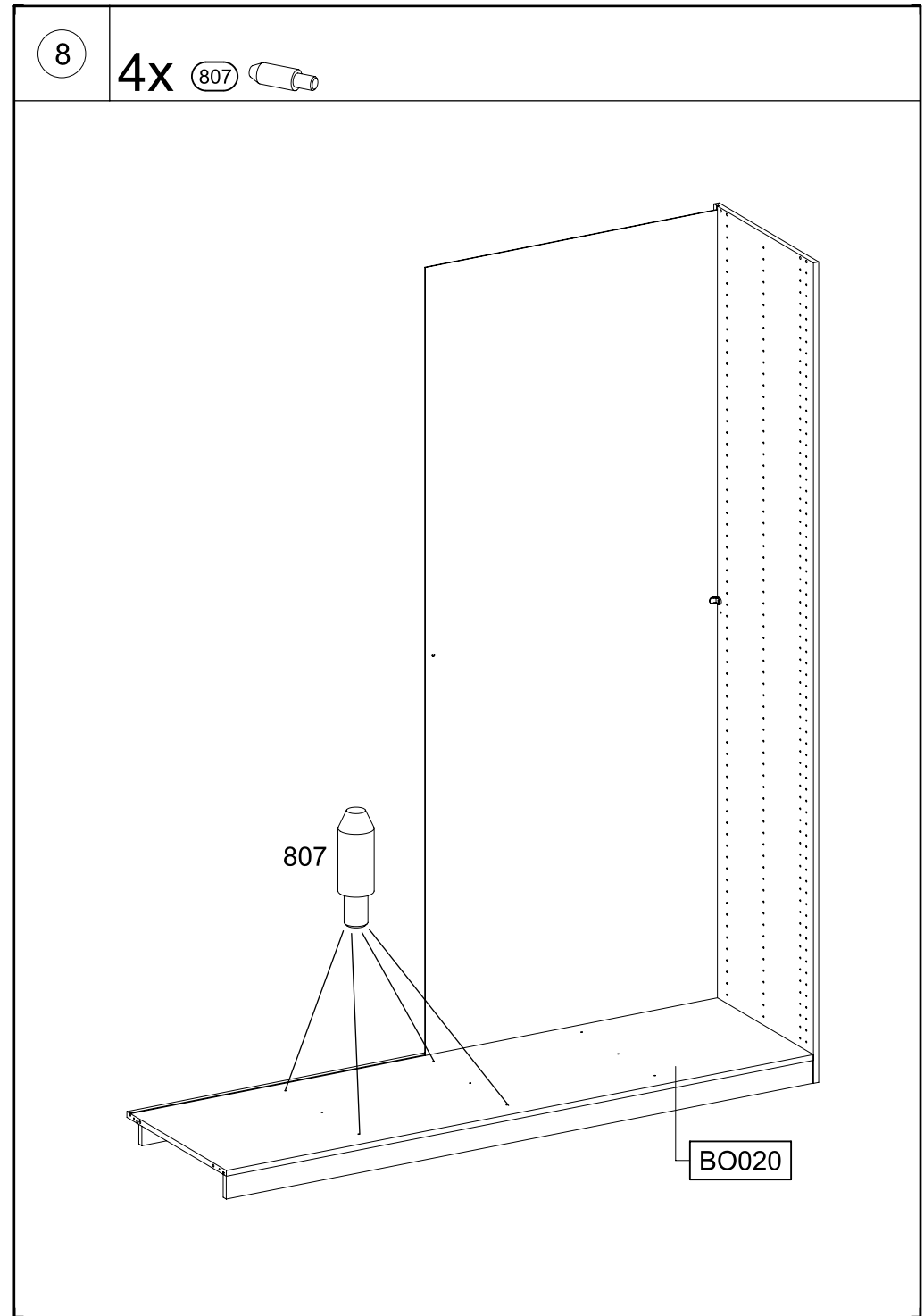
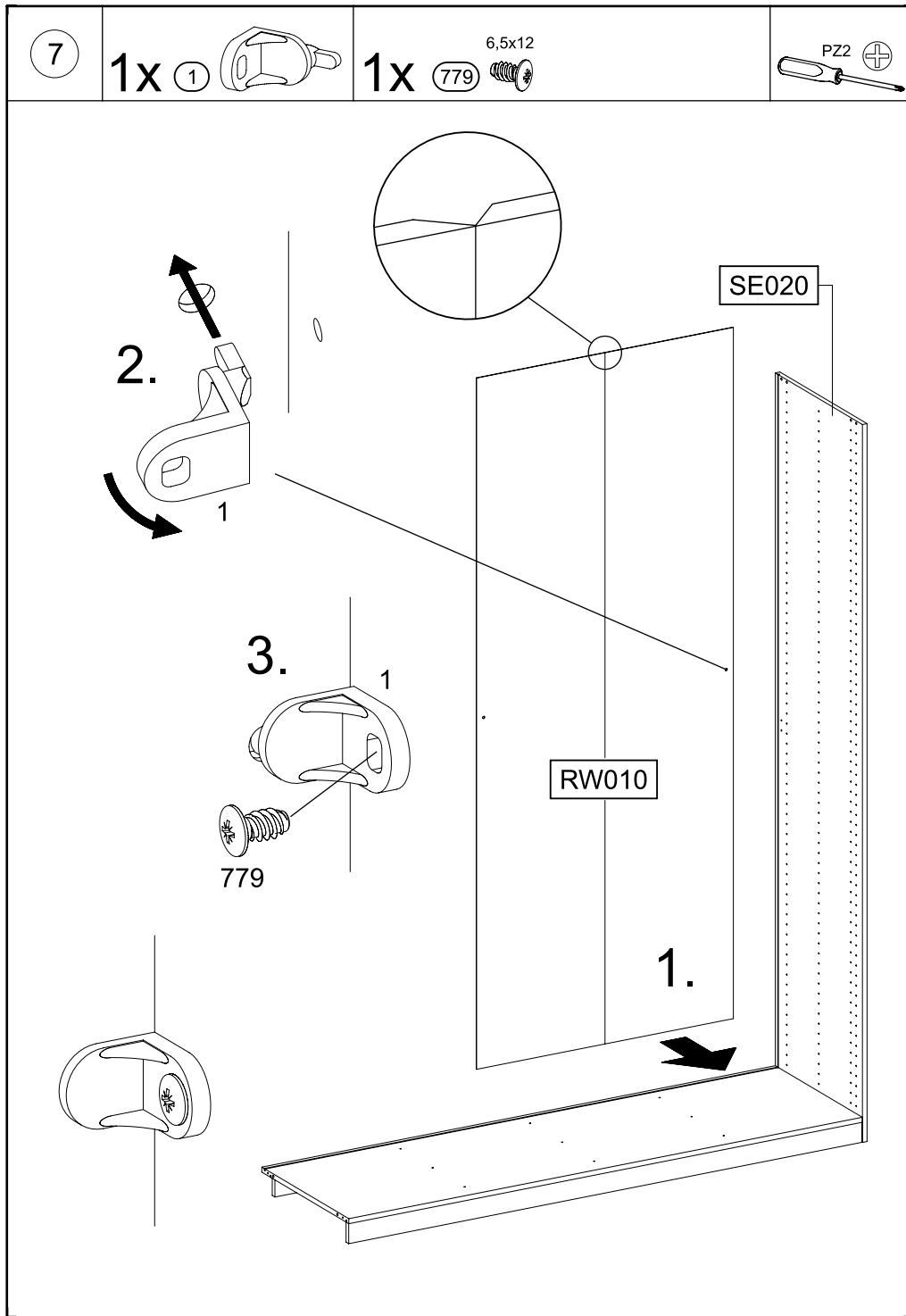
SCAN ME

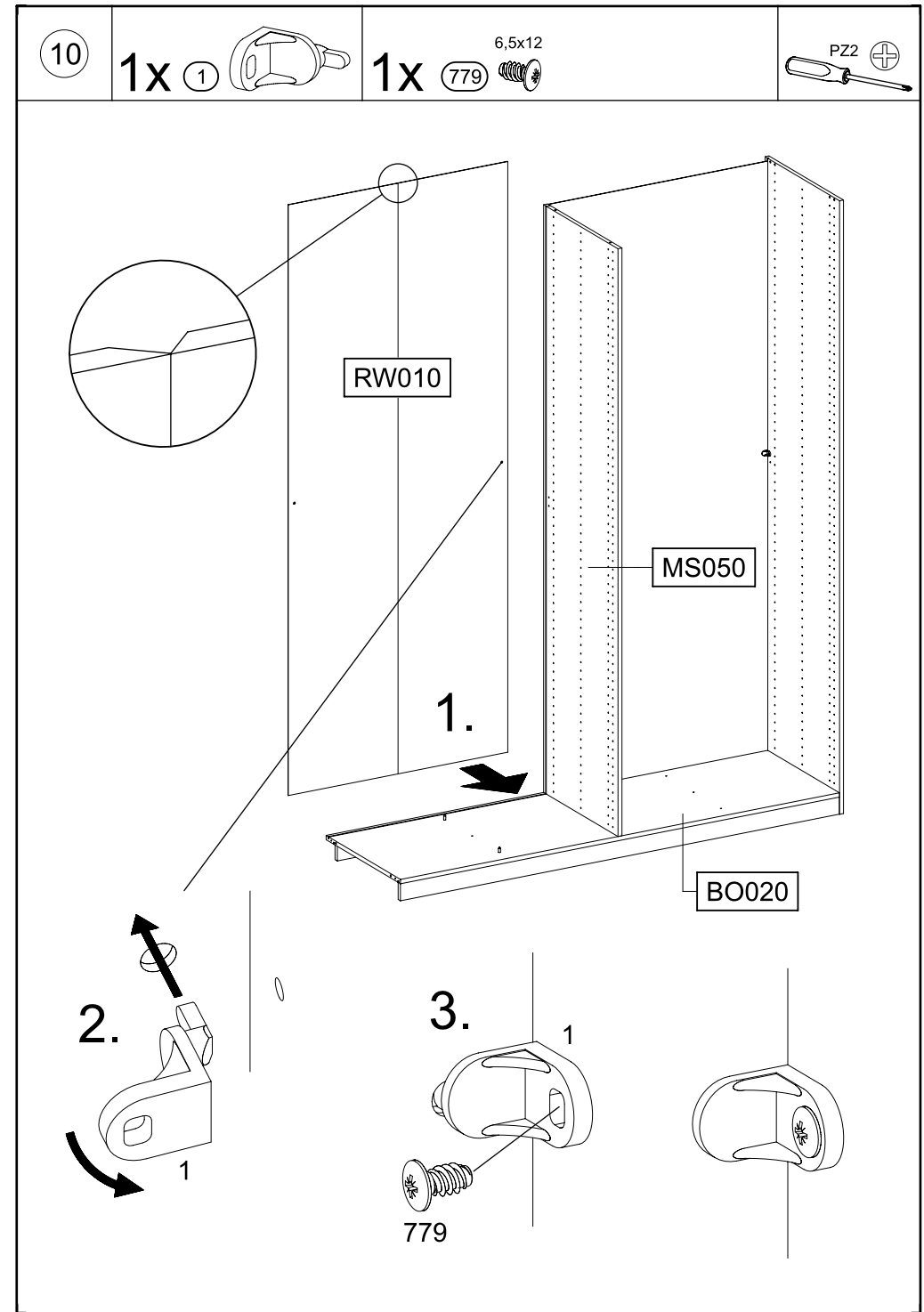
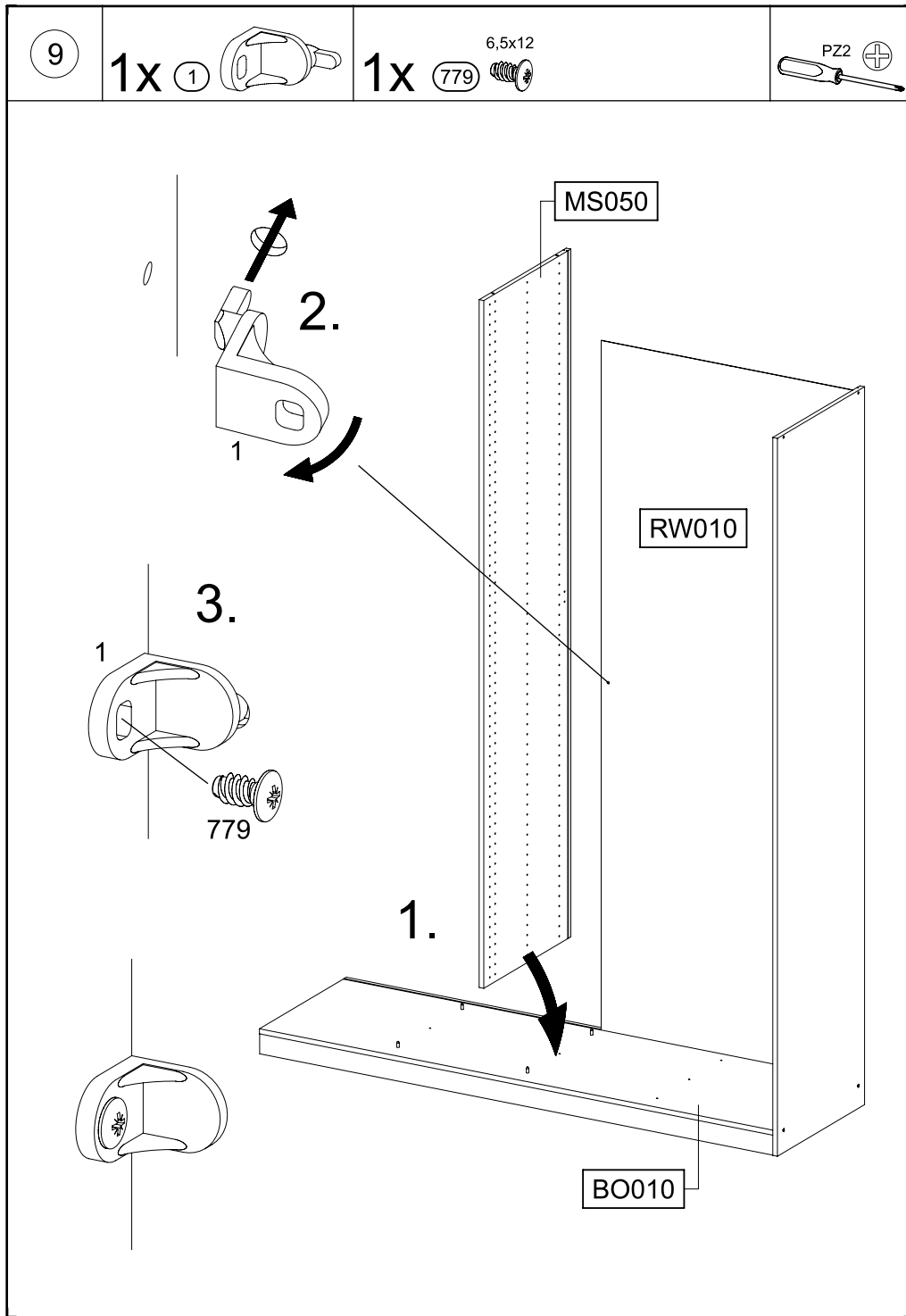


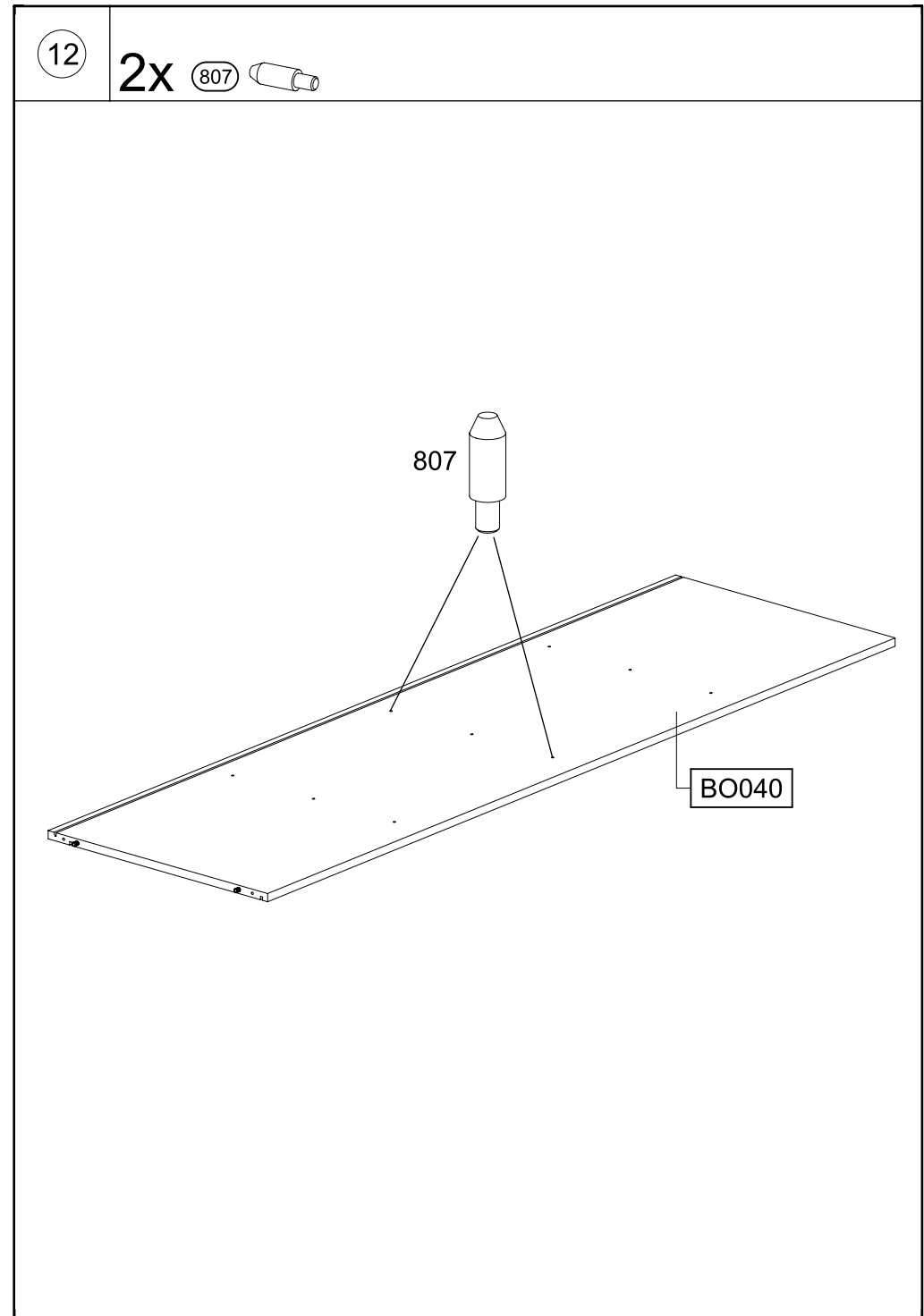
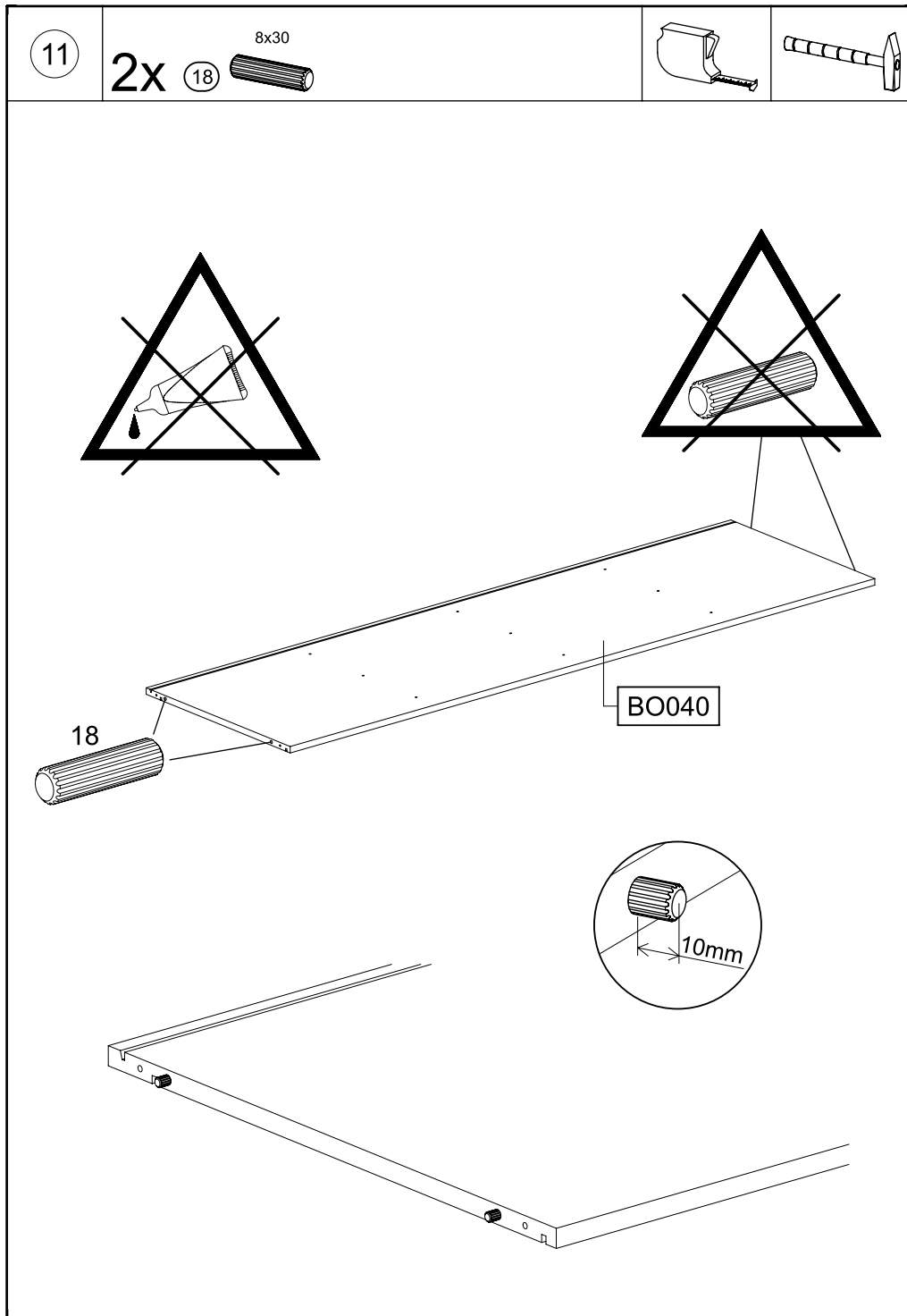
4



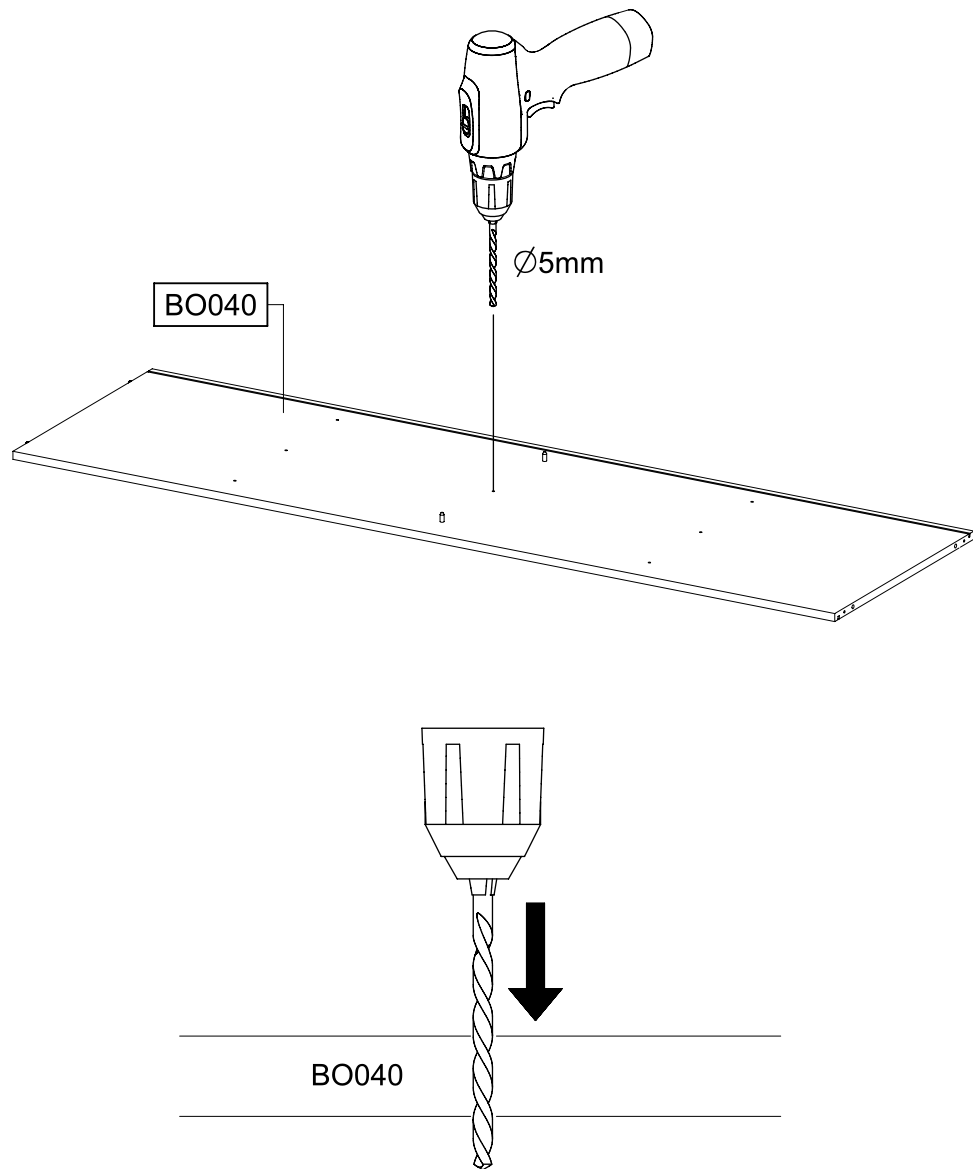
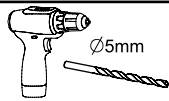






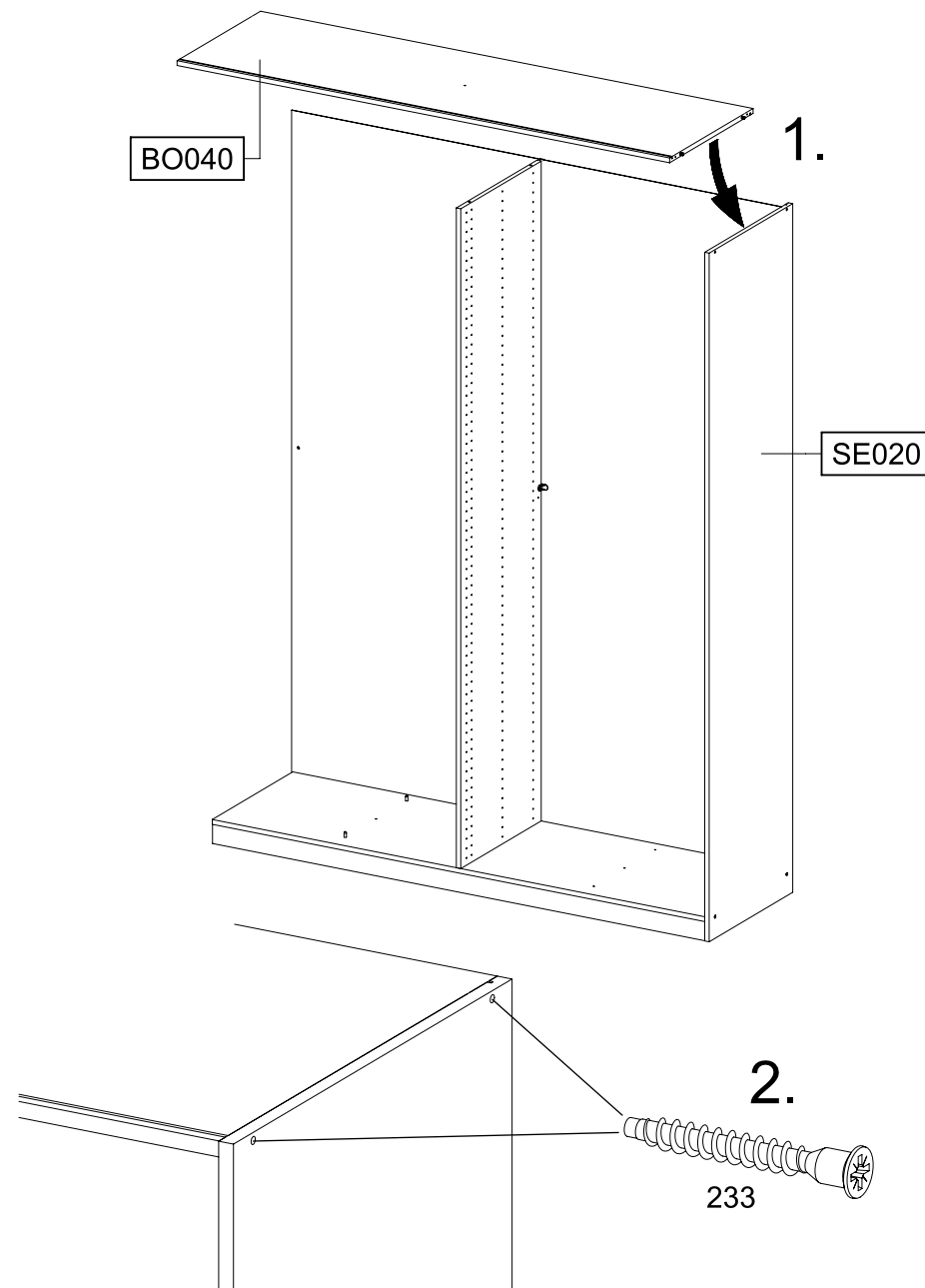
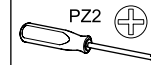
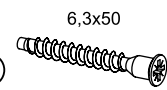


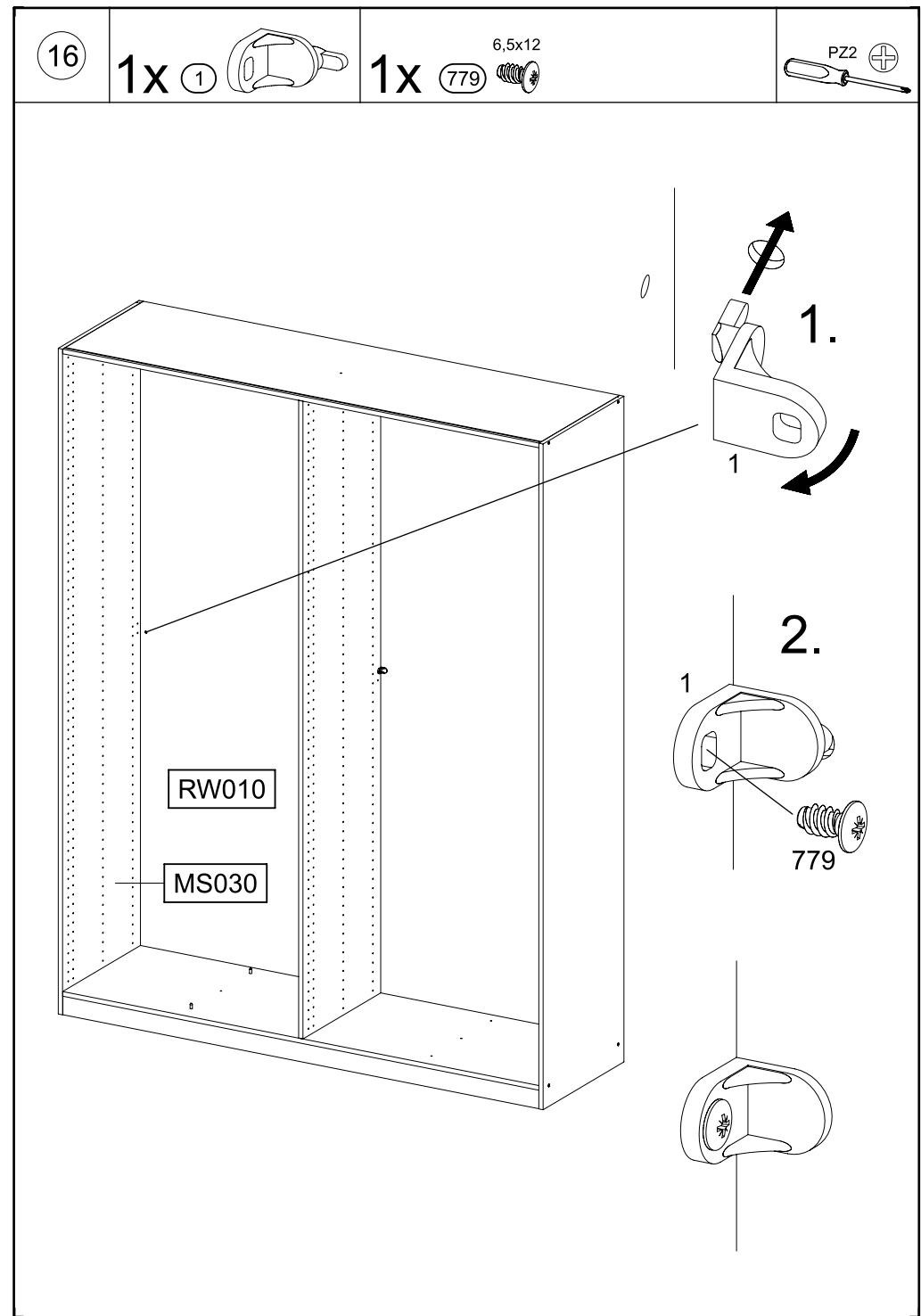
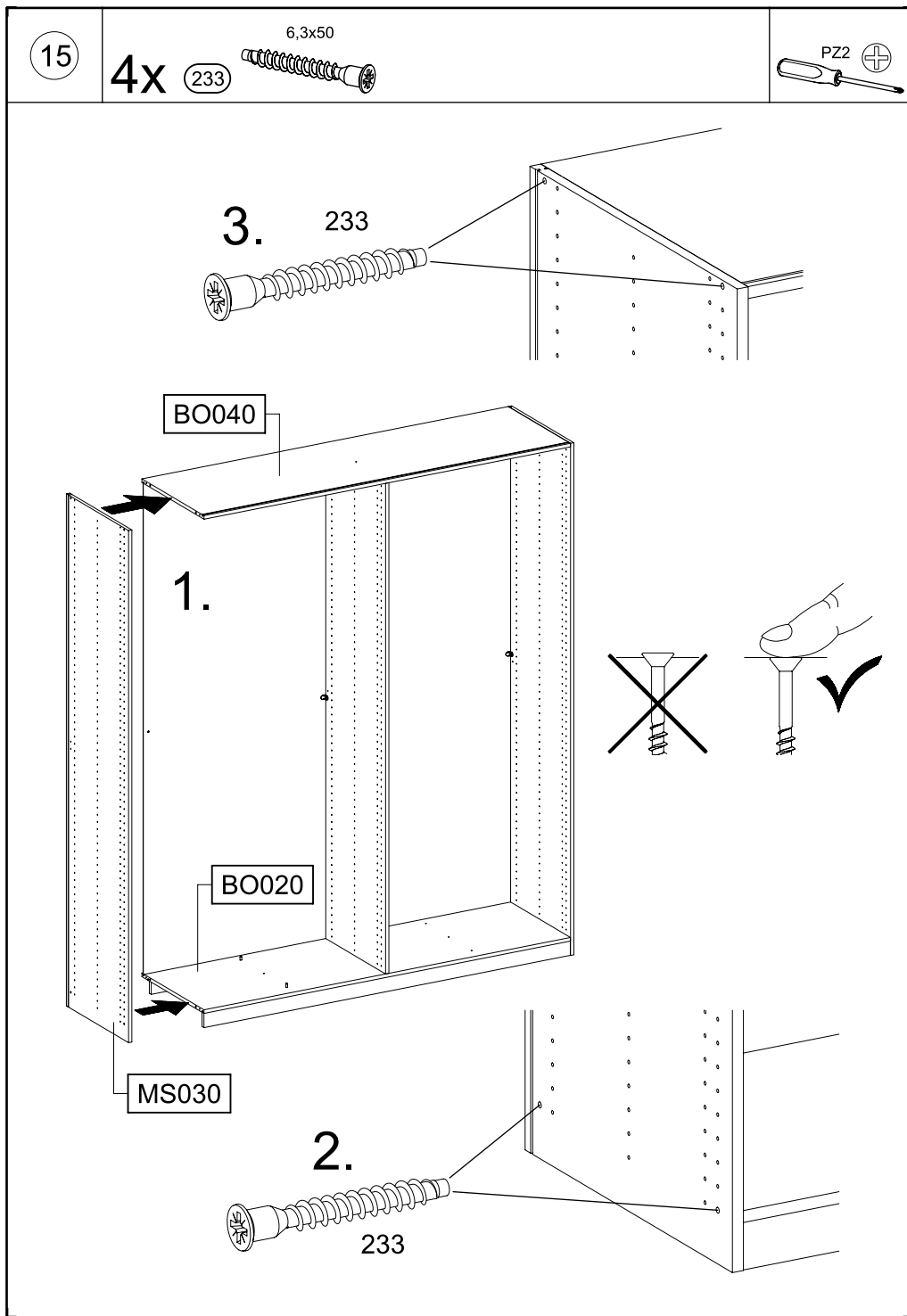
13

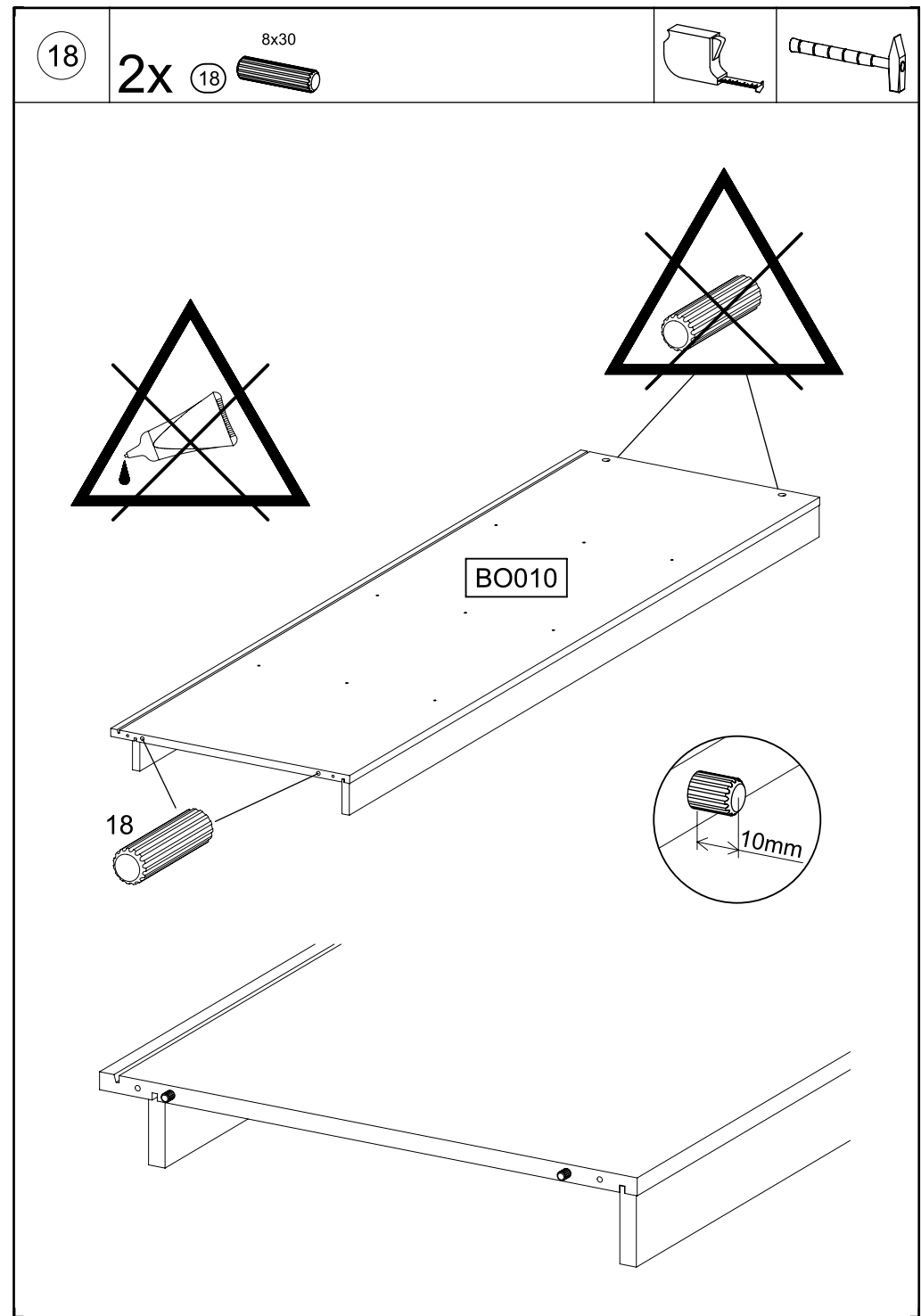
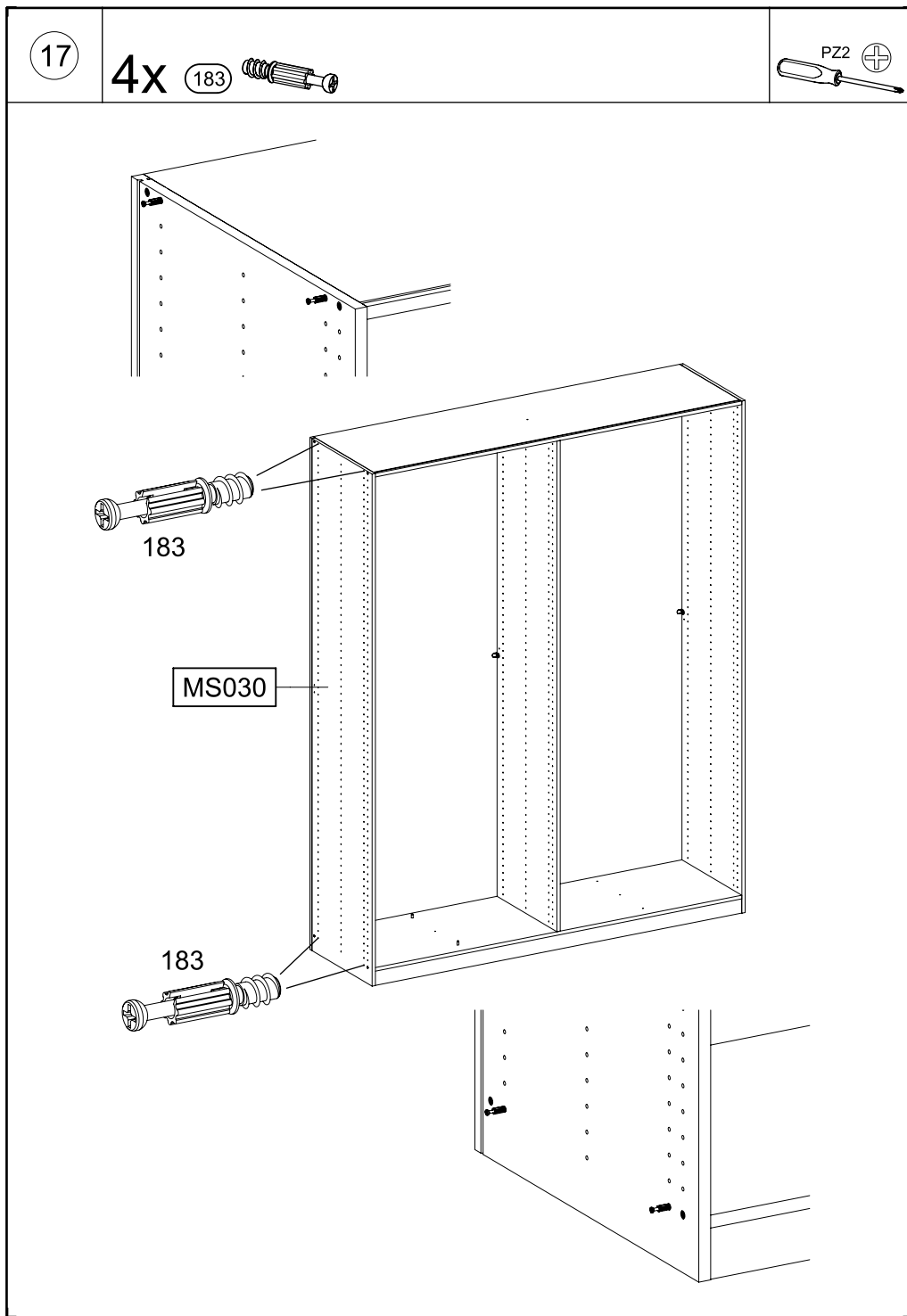


14

2x 233



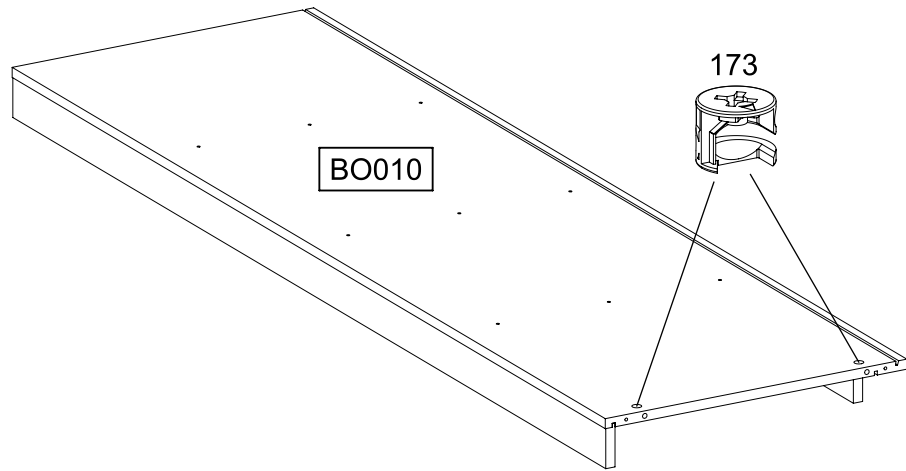




19

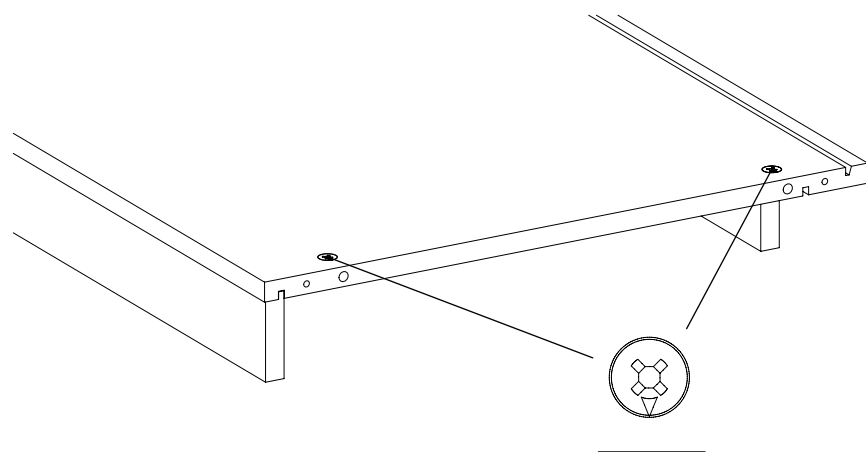
2x

173

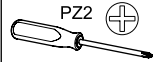


BO010

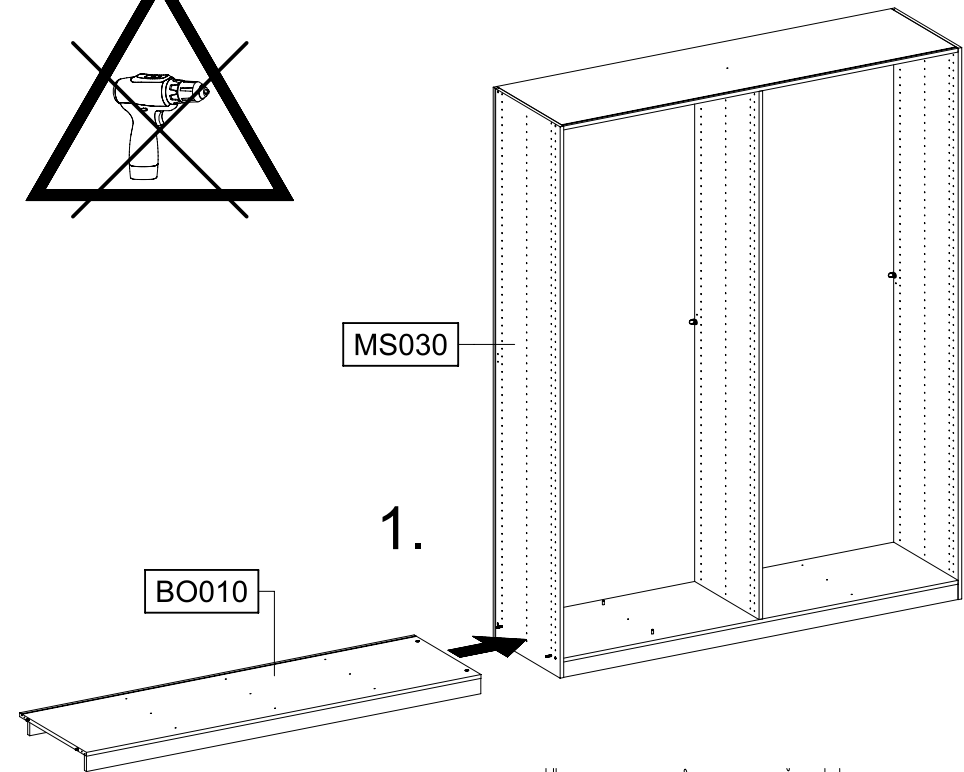
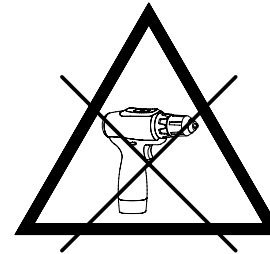
173



20



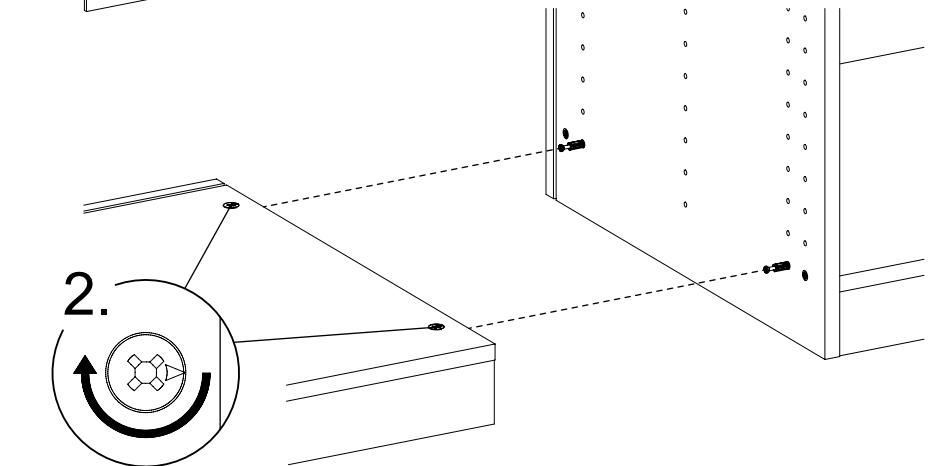
PZ2



MS030

BO010

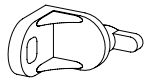
1.



2.

21

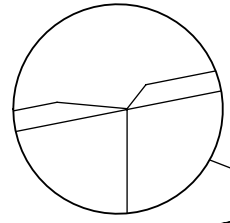
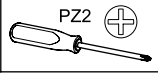
1x ①



1x ②

779

6,5x12



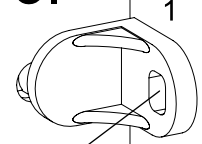
RW010

MS030

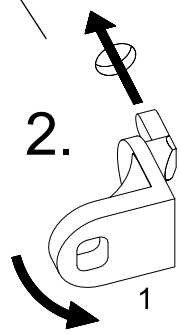
1.

BO010

3.



2.



779

22

4x ③

807



807

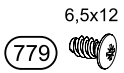
BO010

23

1x ①

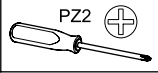


1x ②

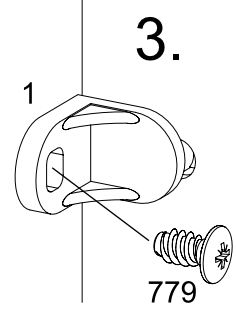
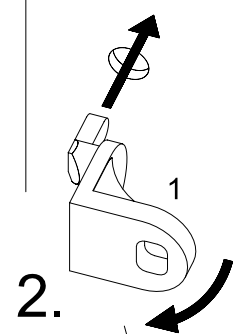


6,5x12

779

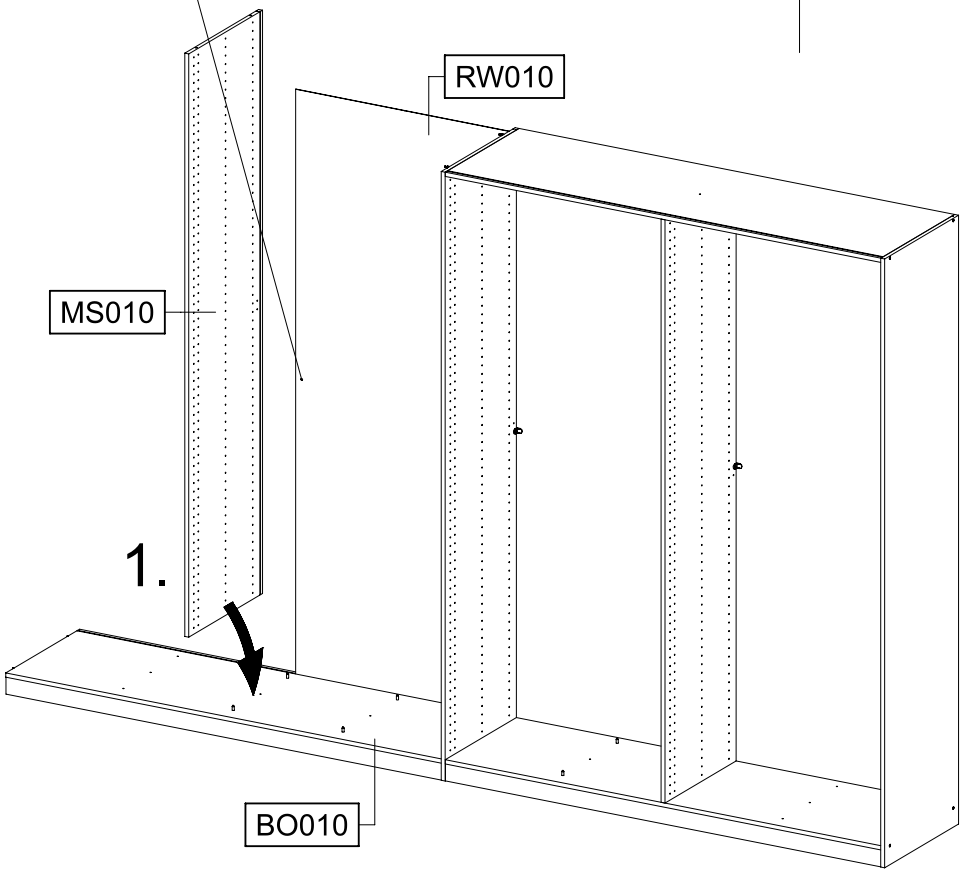


PZ2



3.

779



MS010

RW010

1.

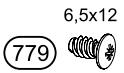
BO010

24

1x ①

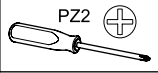


1x ②

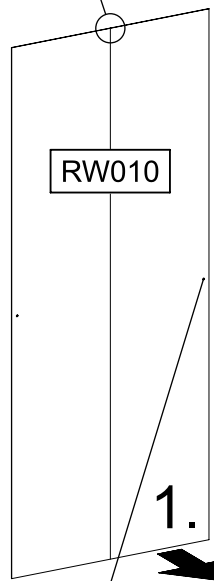
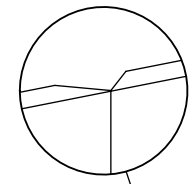


6,5x12

779



PZ2

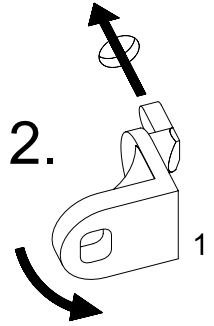


MS010

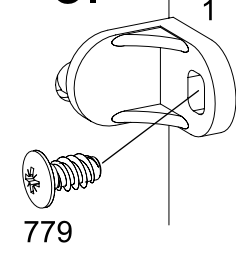
RW010

1.

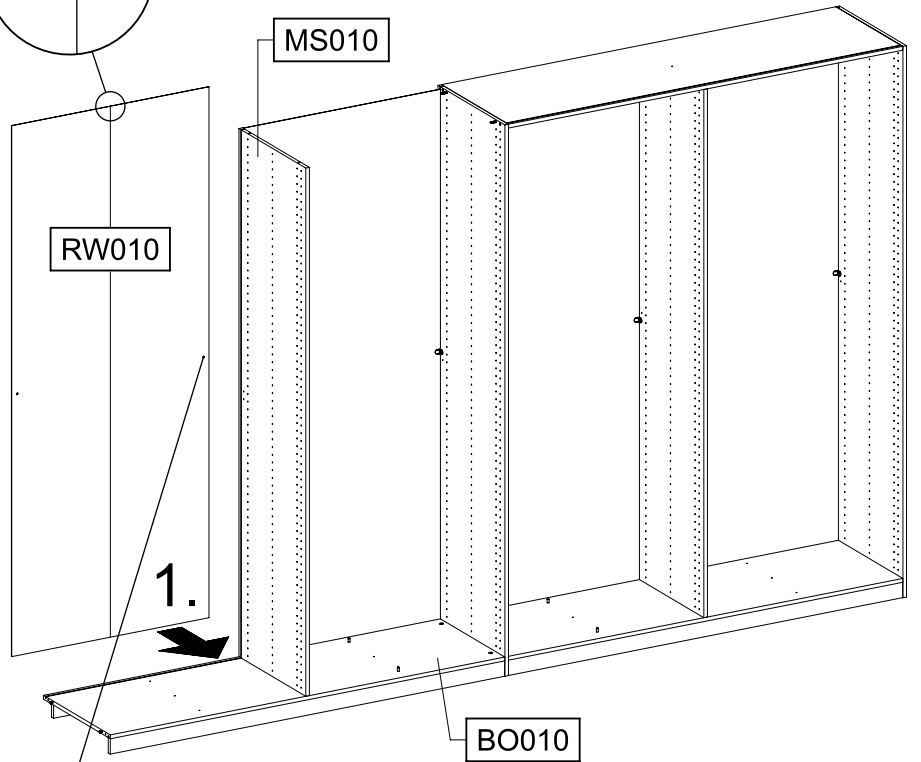
2.



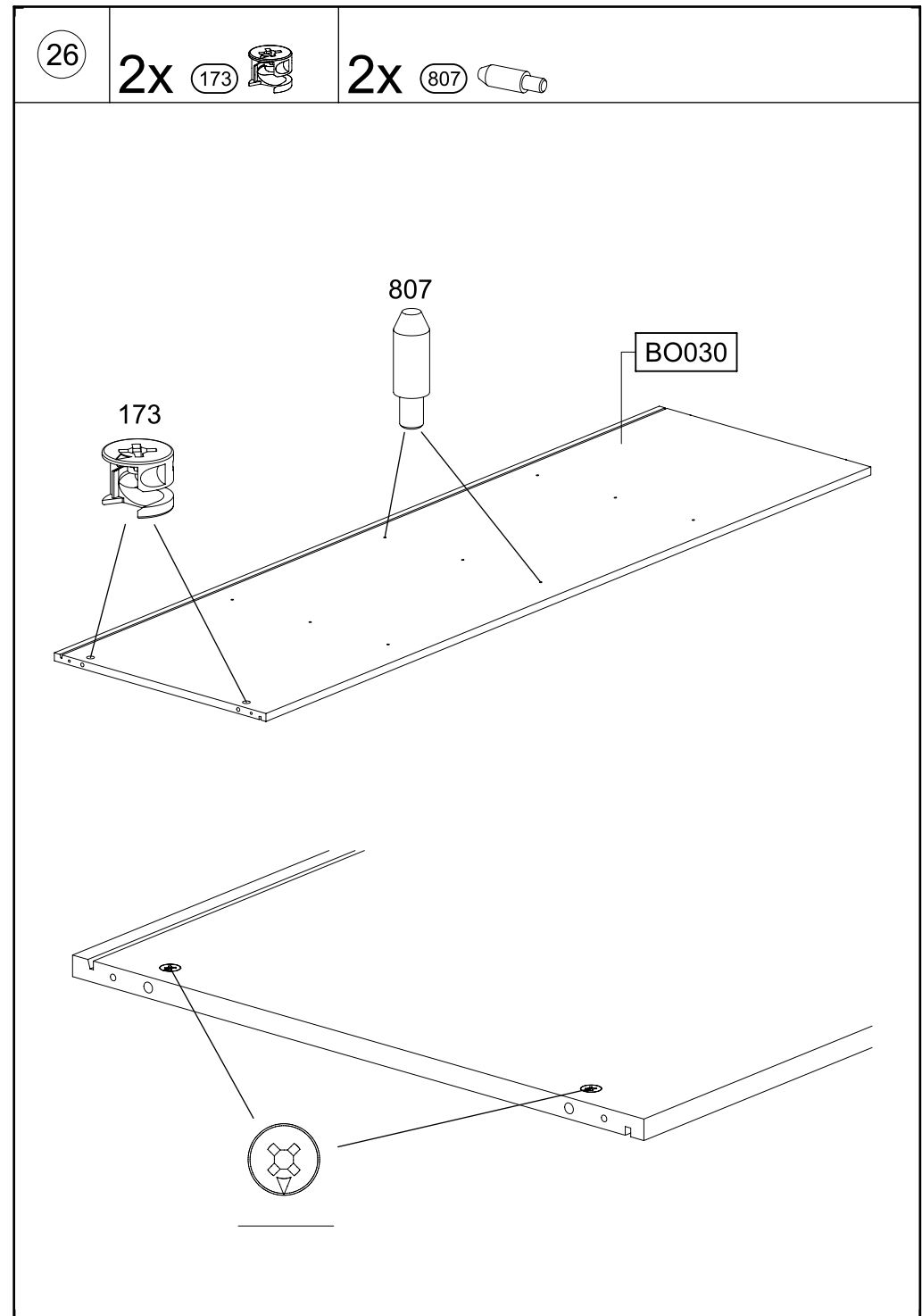
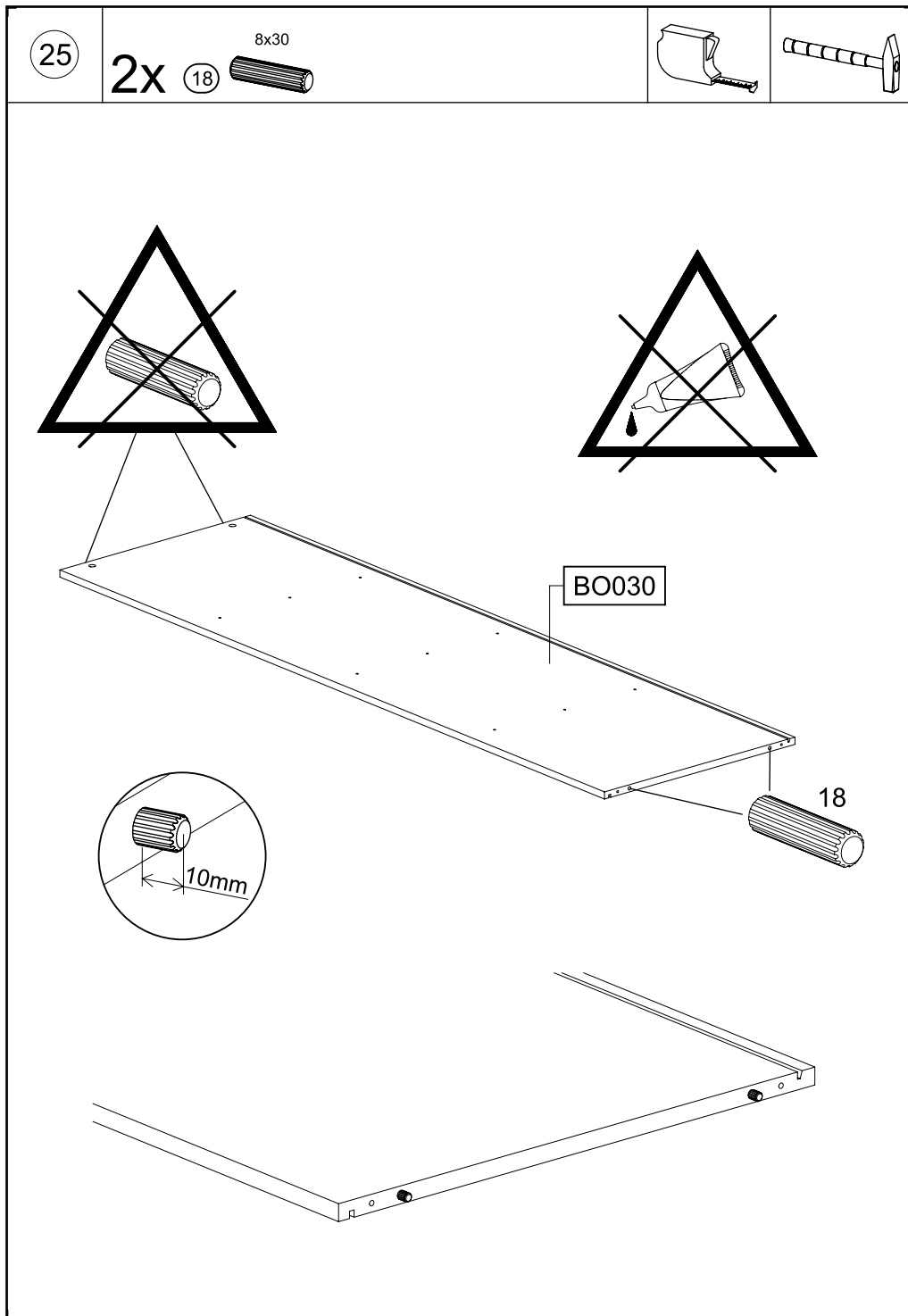
3.



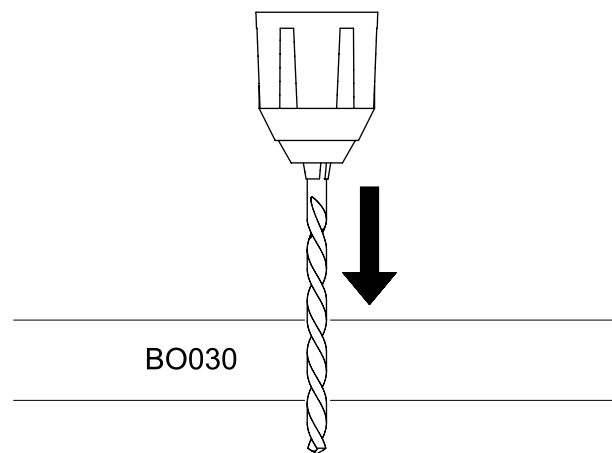
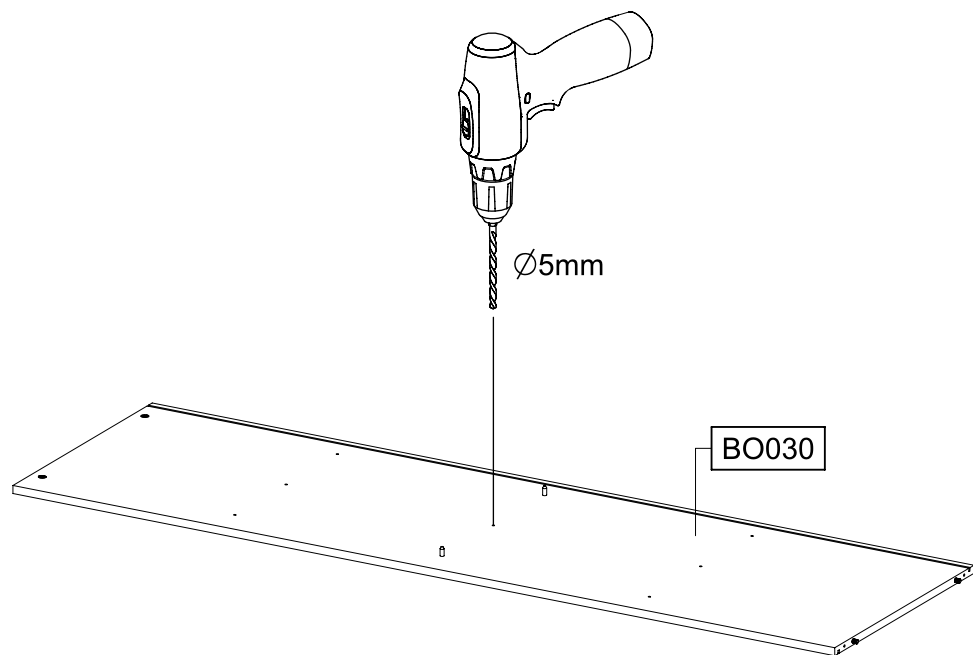
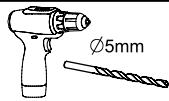
779



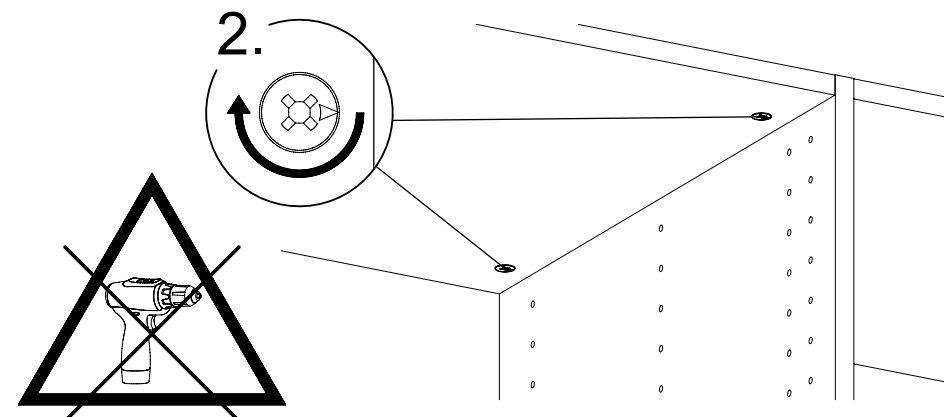
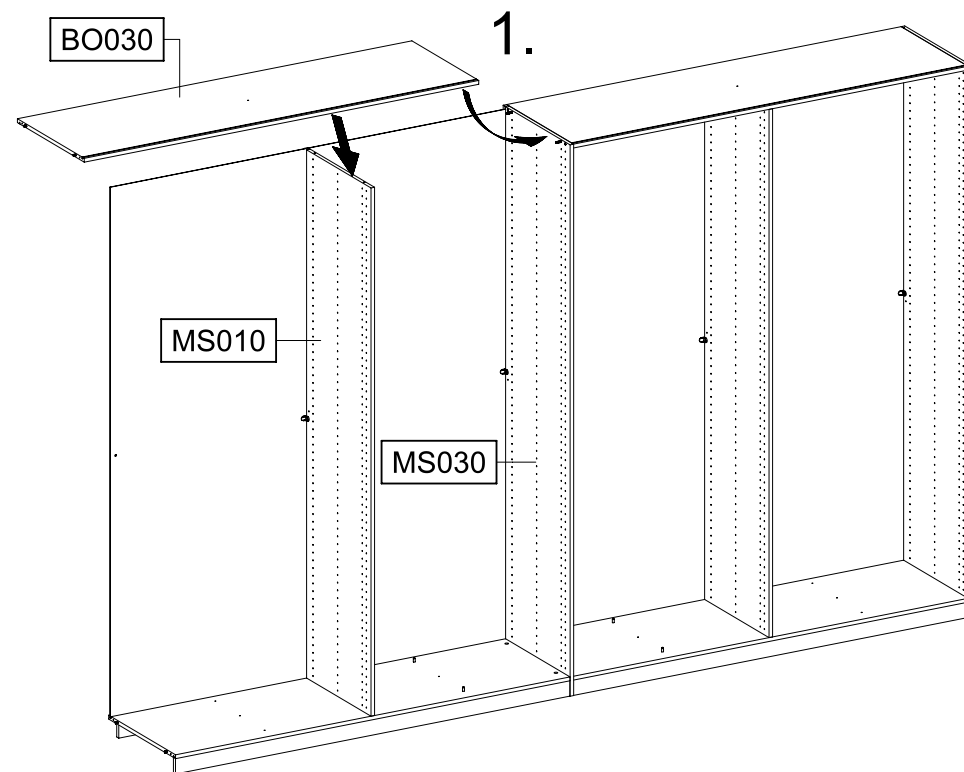
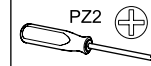
BO010

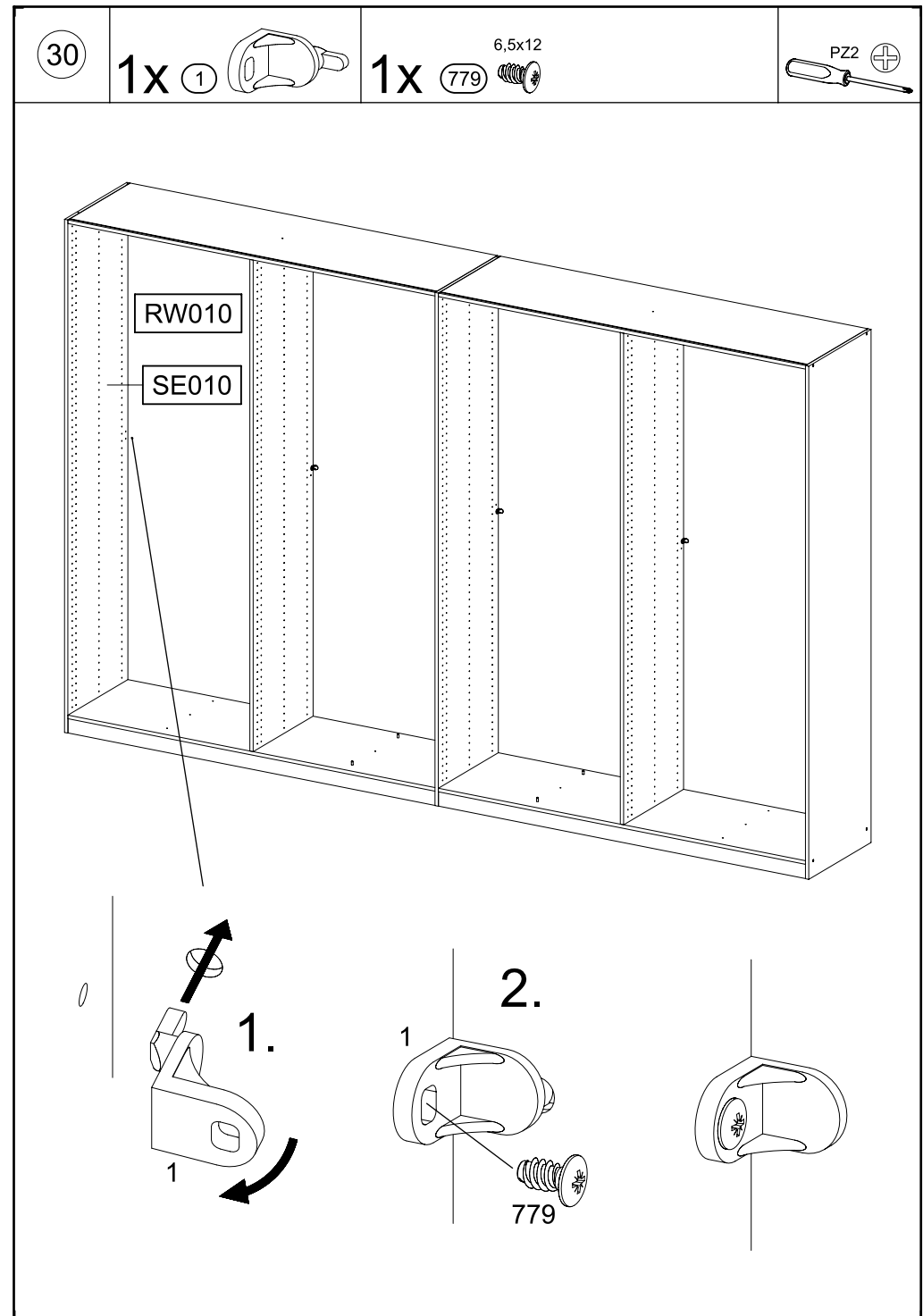
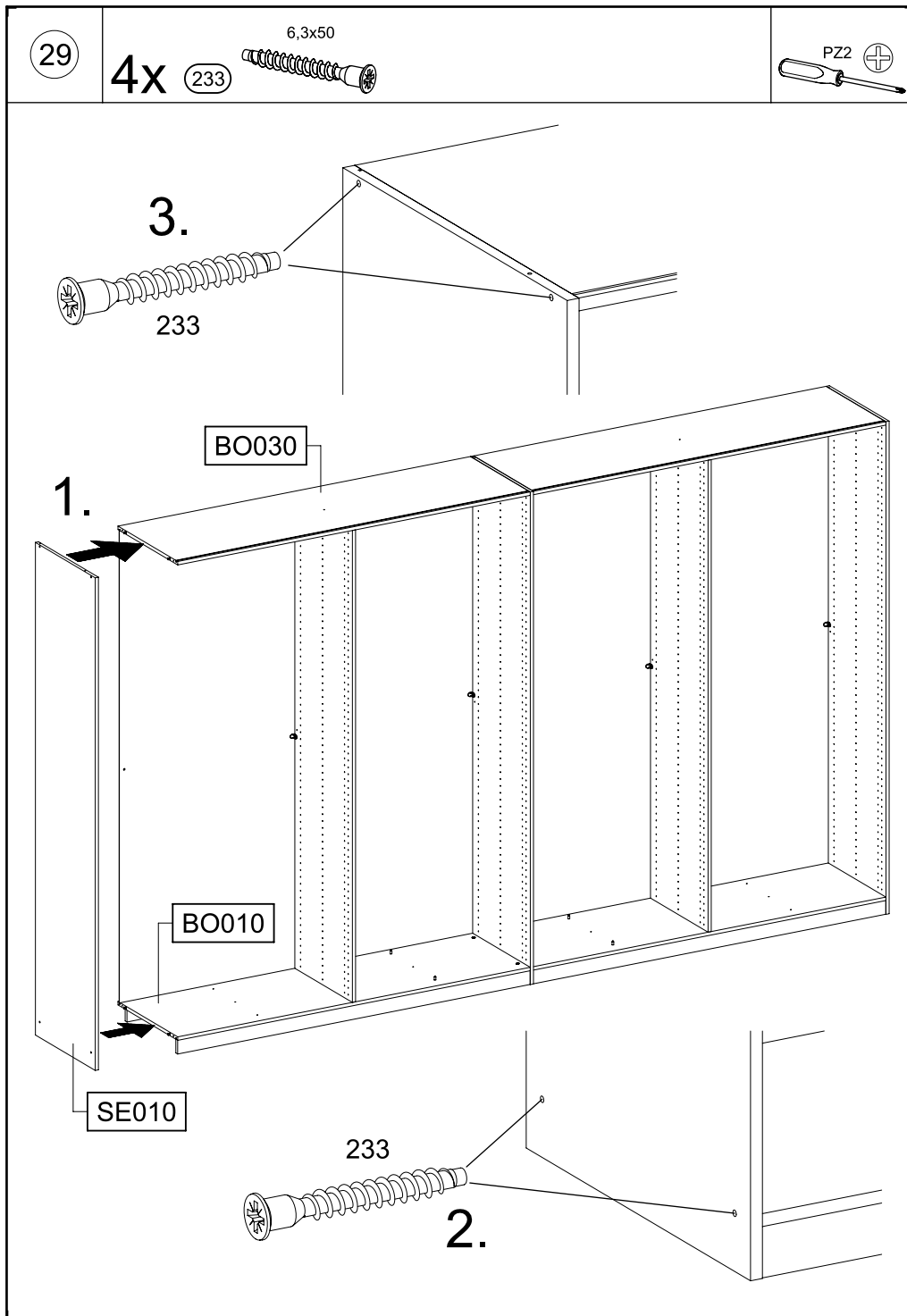


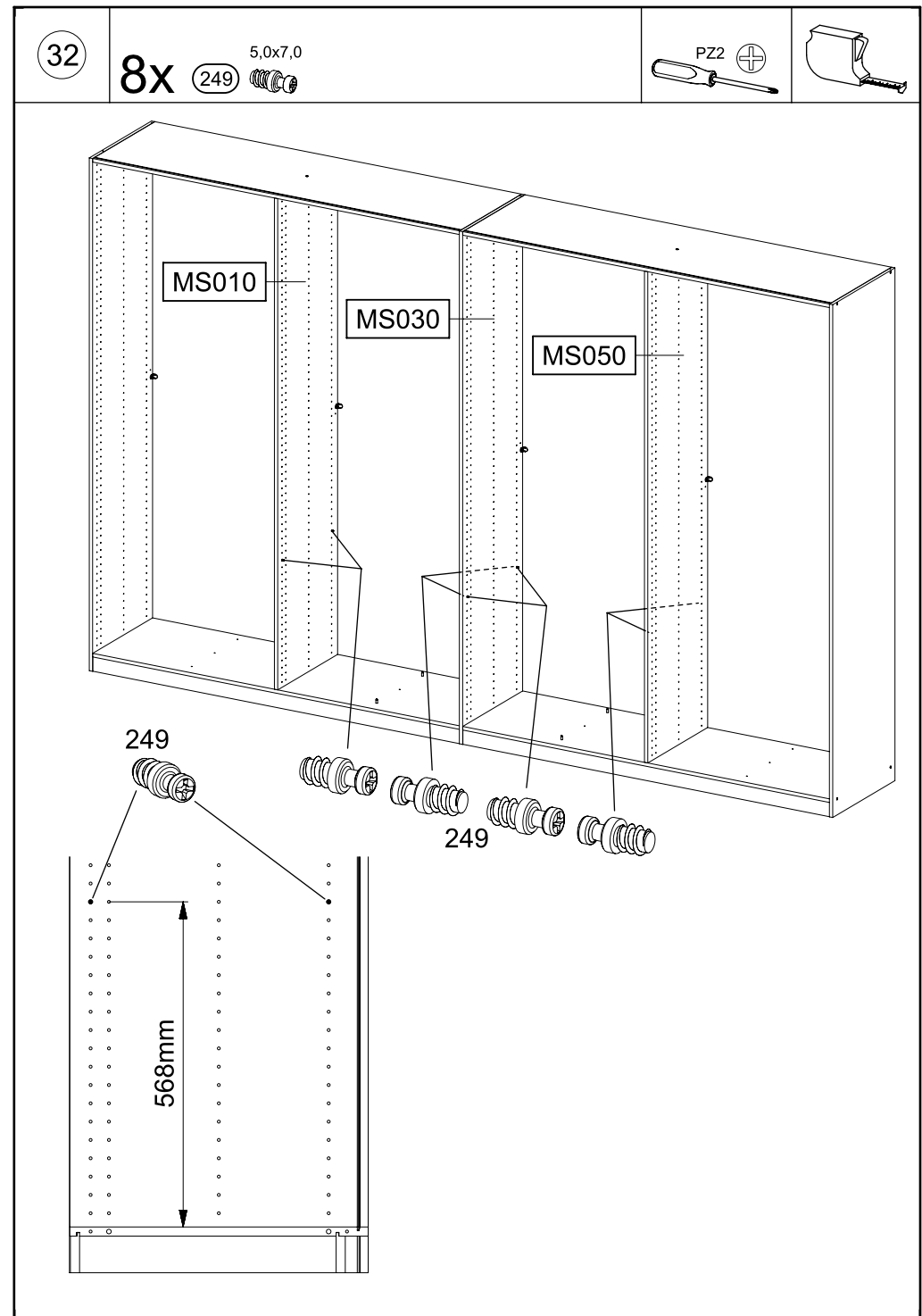
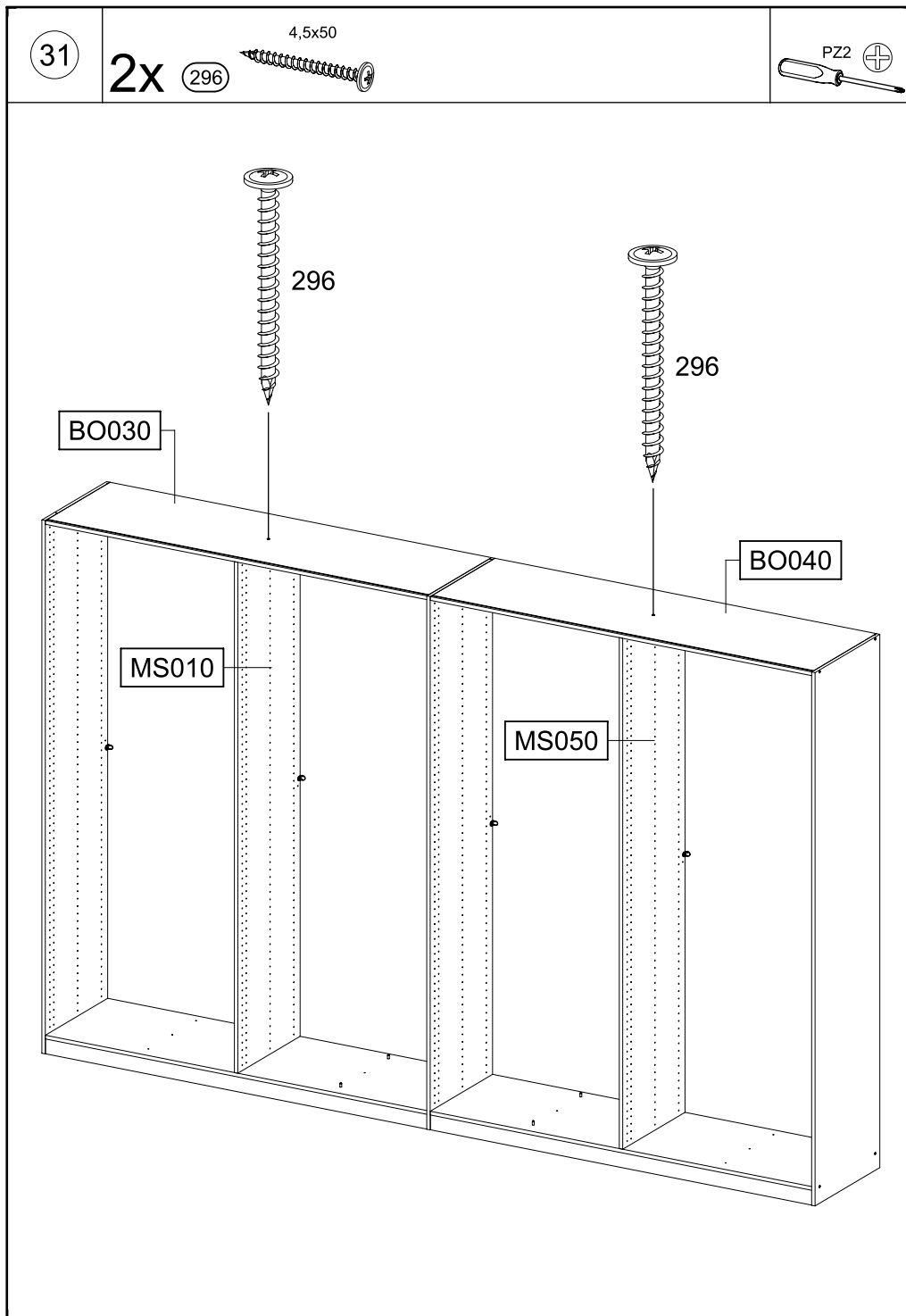
27

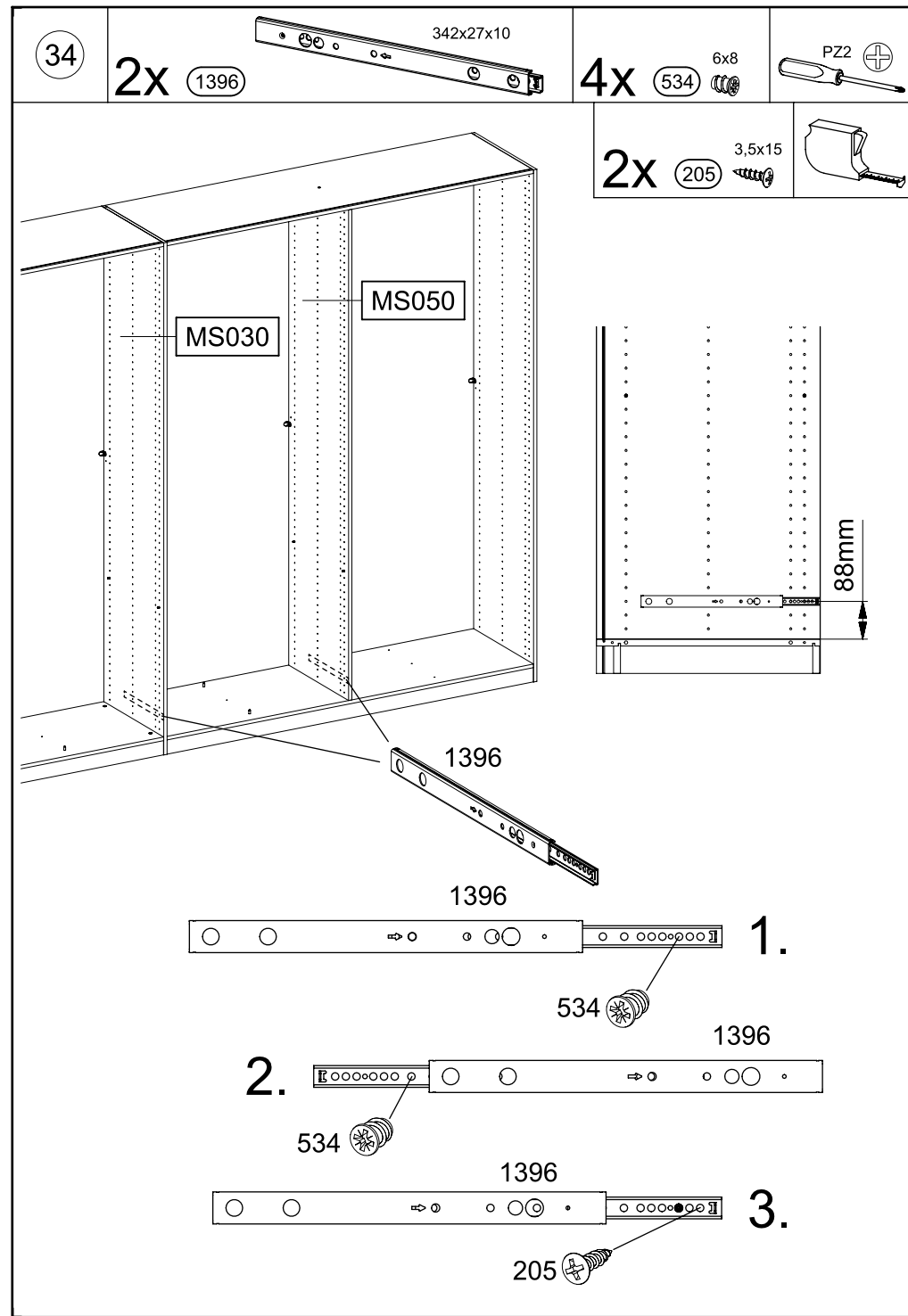
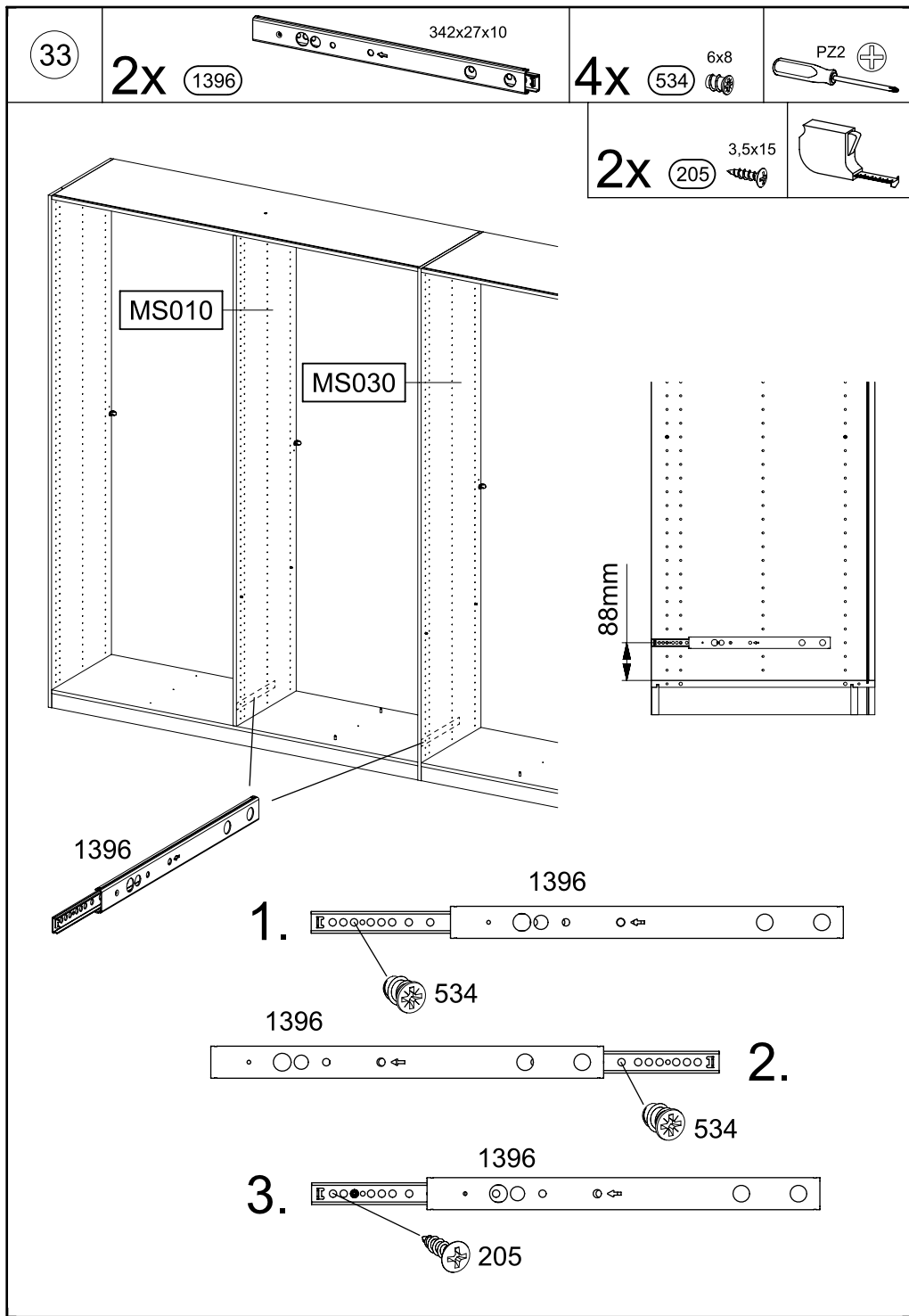


28



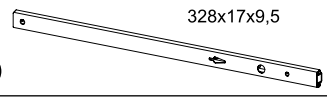






35

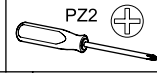
2x 251



328x17x9,5

4x 534 6x8

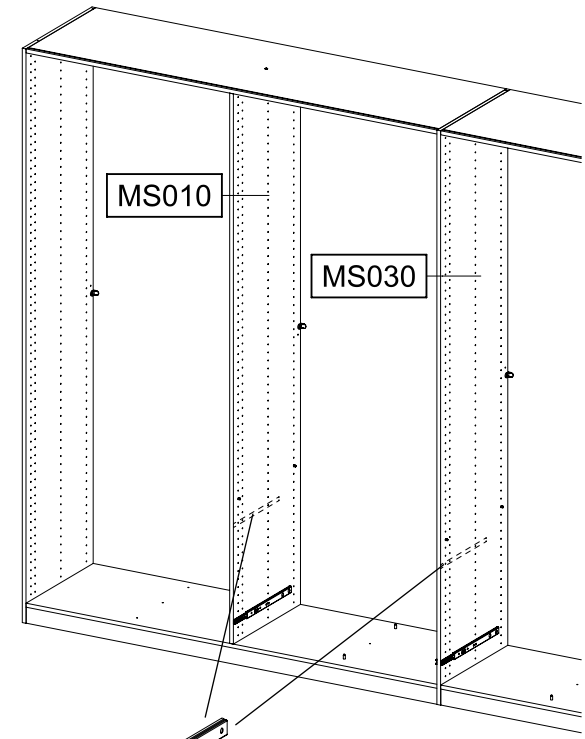
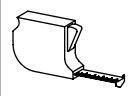
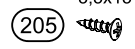
6x8



PZ2

2x 205 3,5x15

3,5x15

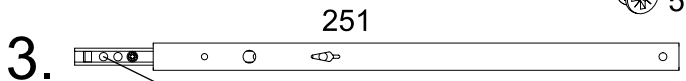
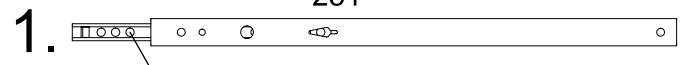


MS010

MS030

472mm

251



251

534

251

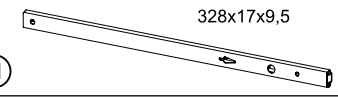
534

251

205

36

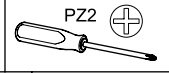
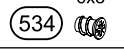
2x 251



328x17x9,5

4x 534 6x8

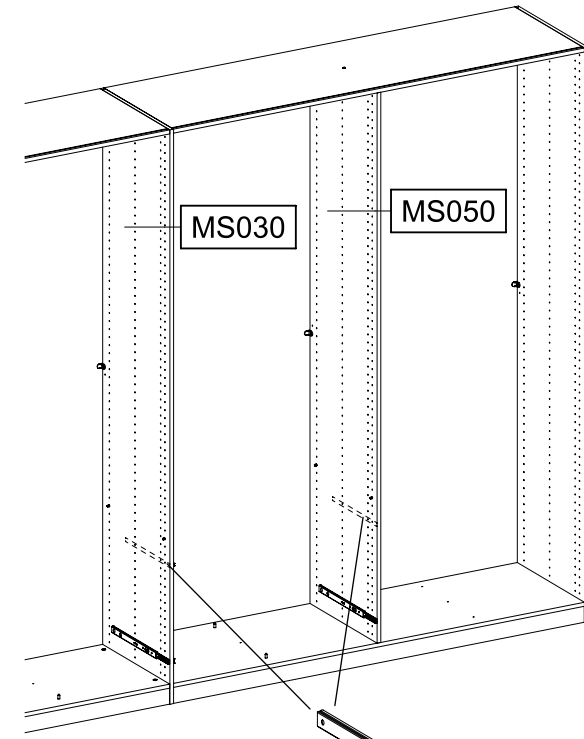
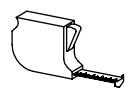
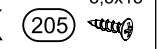
6x8



PZ2

2x 205 3,5x15

3,5x15

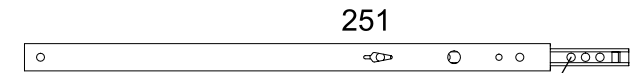


MS030

MS050

472mm

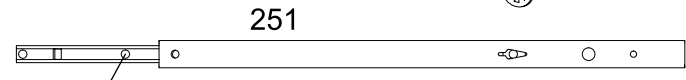
251



251

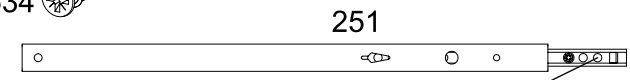
534

2.



251

534

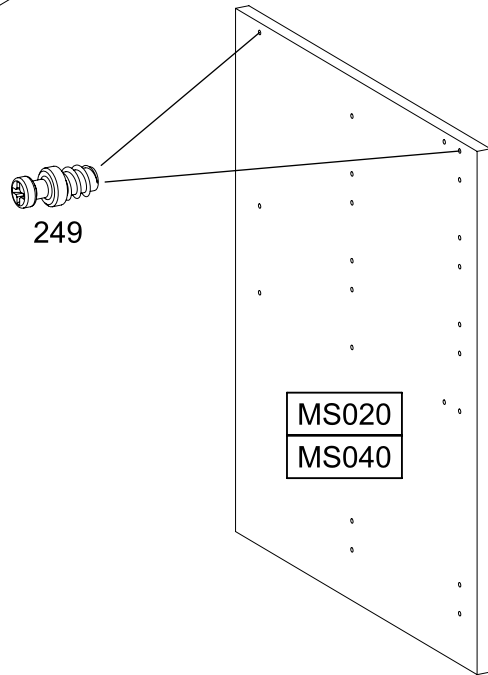
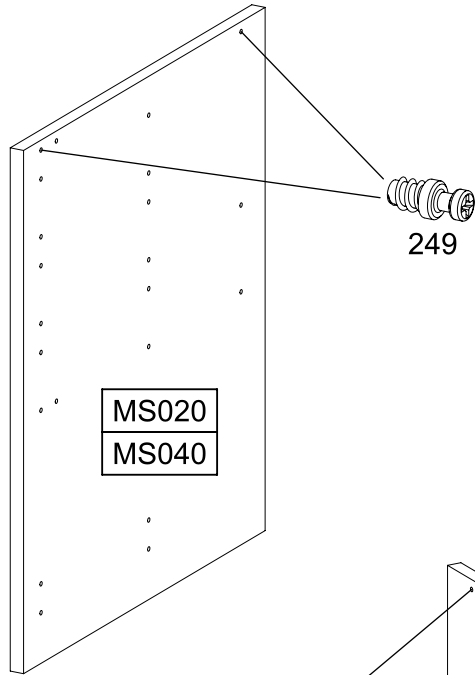
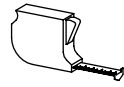
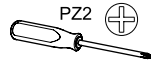


251

205

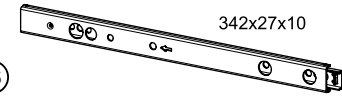
37

8x 249 5,0x7,0

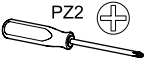


38

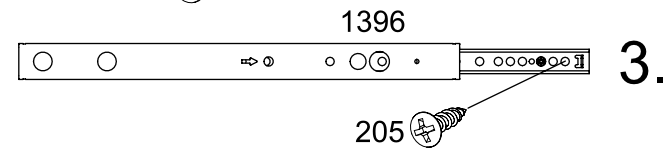
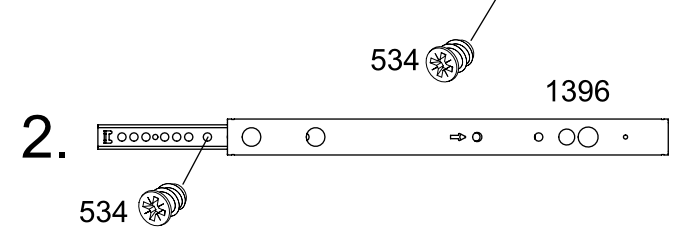
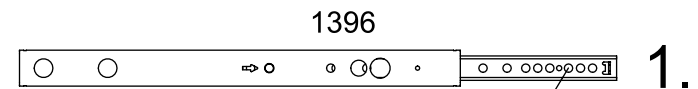
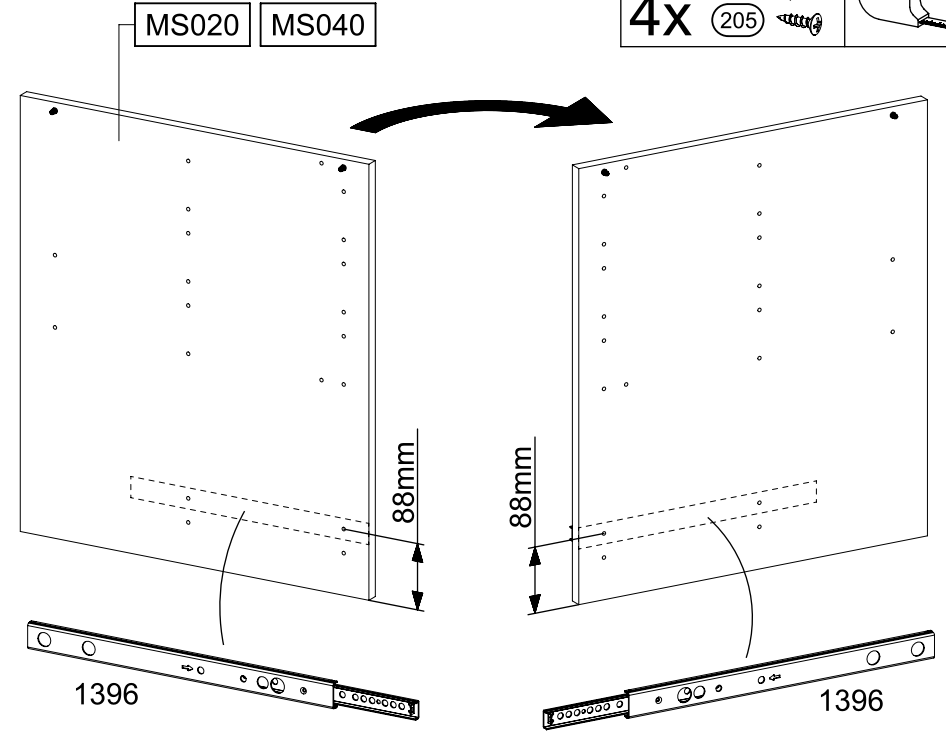
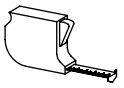
4x 1396



8x 534 6x8

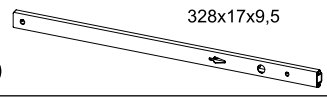


4x 205 3,5x15



39

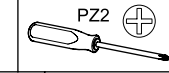
4x 251



328x17x9,5

8x 534

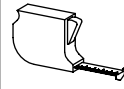
6x8



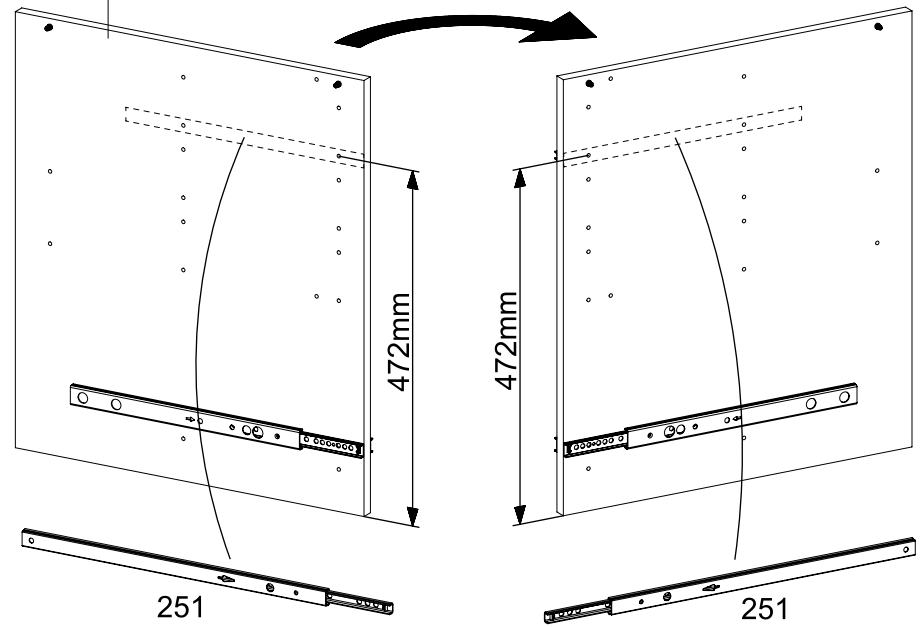
PZ2

4x 205

3,5x15



MS020 MS040

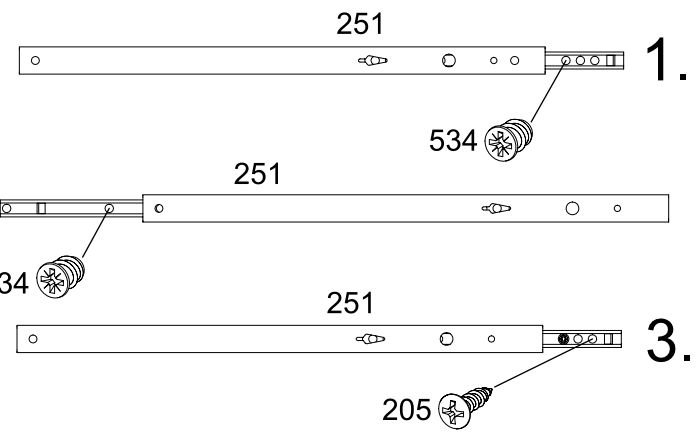


251

472mm

472mm

251



251

1.

534

251

2.

534

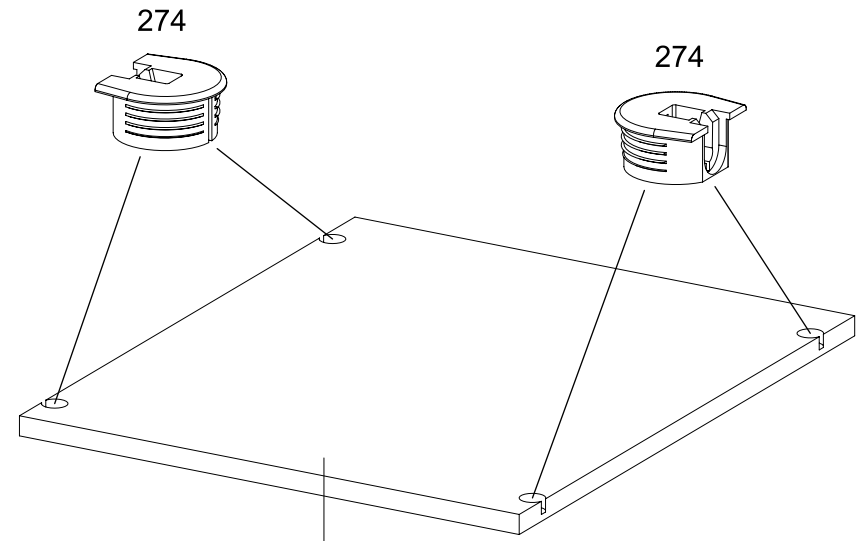
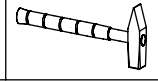
251

3.

205

40

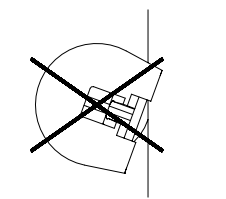
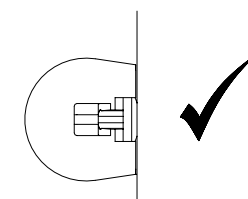
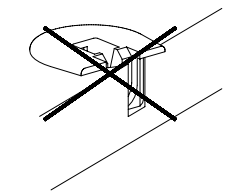
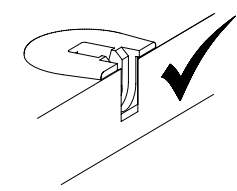
16x 274



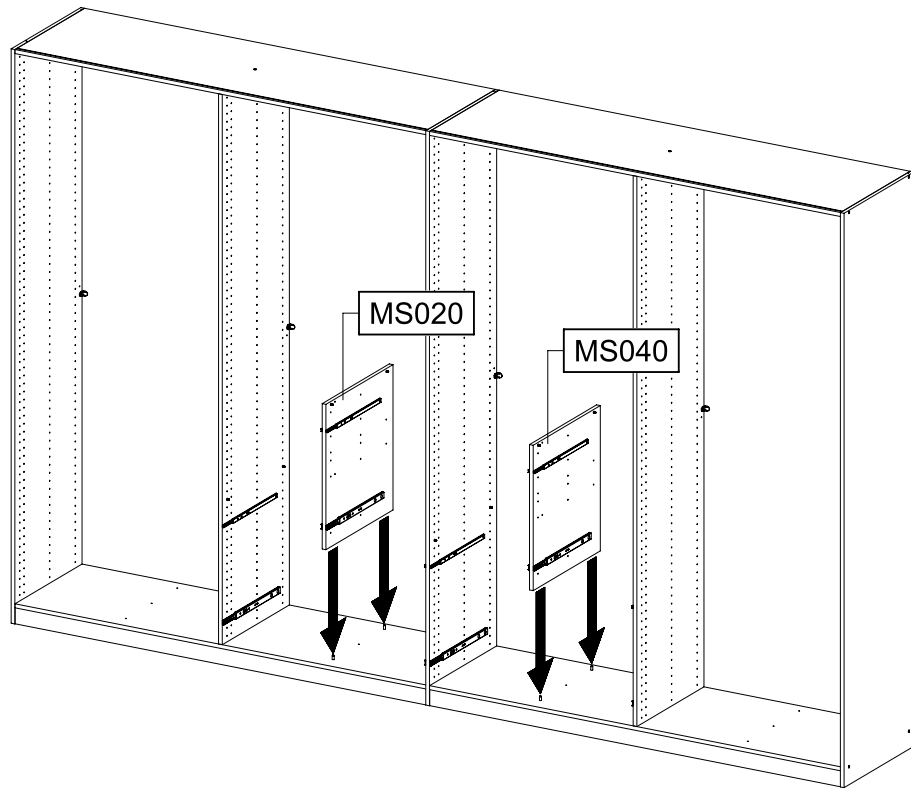
274

274

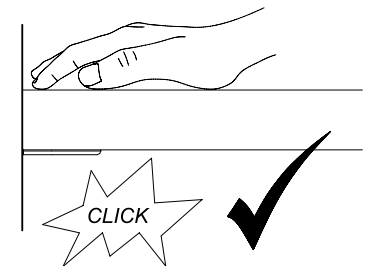
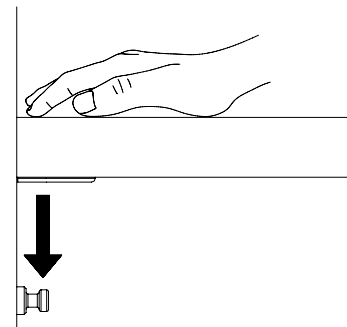
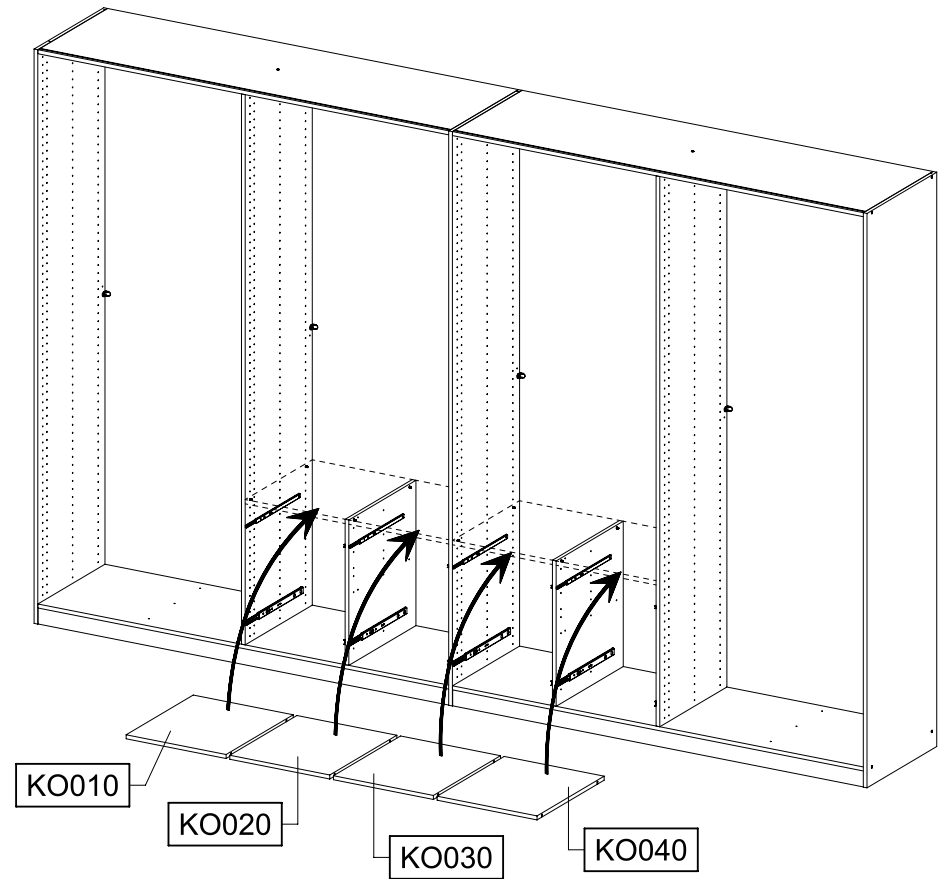
KO010
KO020
KO030
KO040



41



42

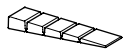


43

0-4x

12

55x16x6,2



4x

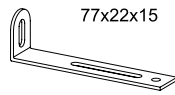
201

4x15



2x

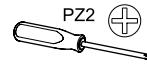
68



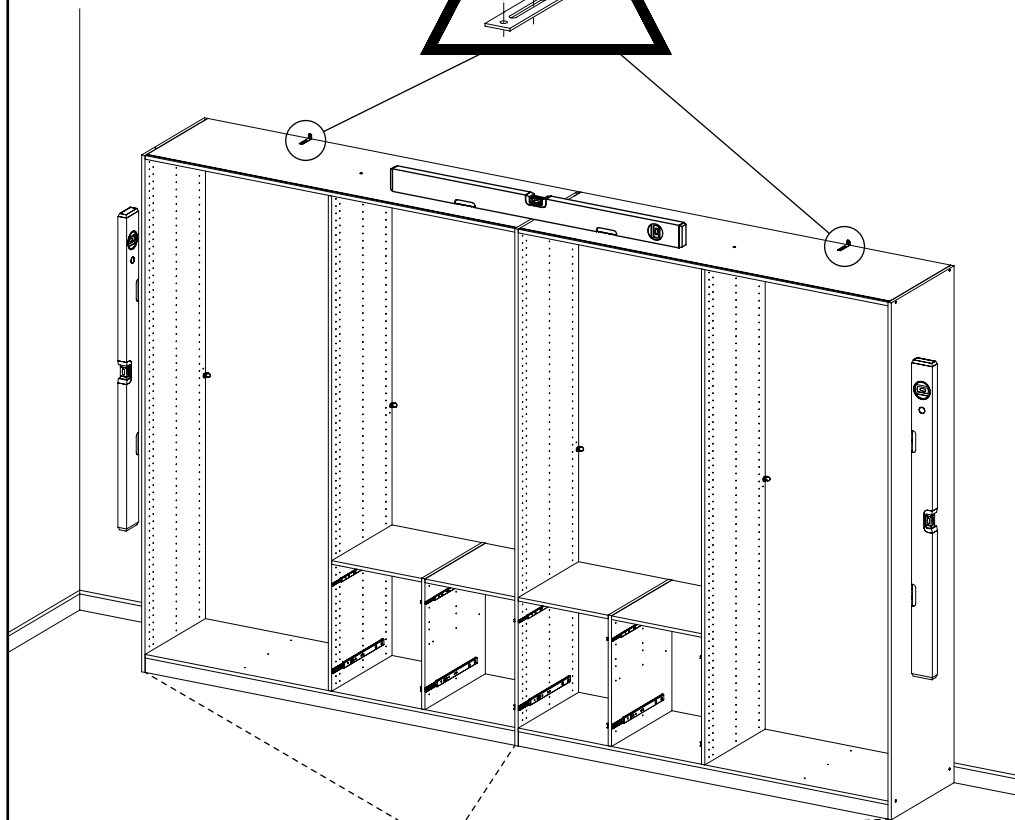
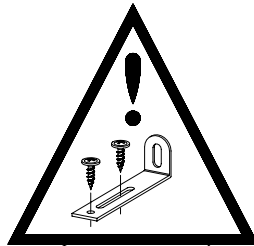
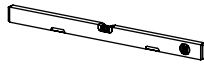
77x22x15



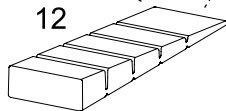
SCAN ME



PZ2



12

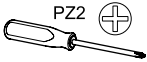


44

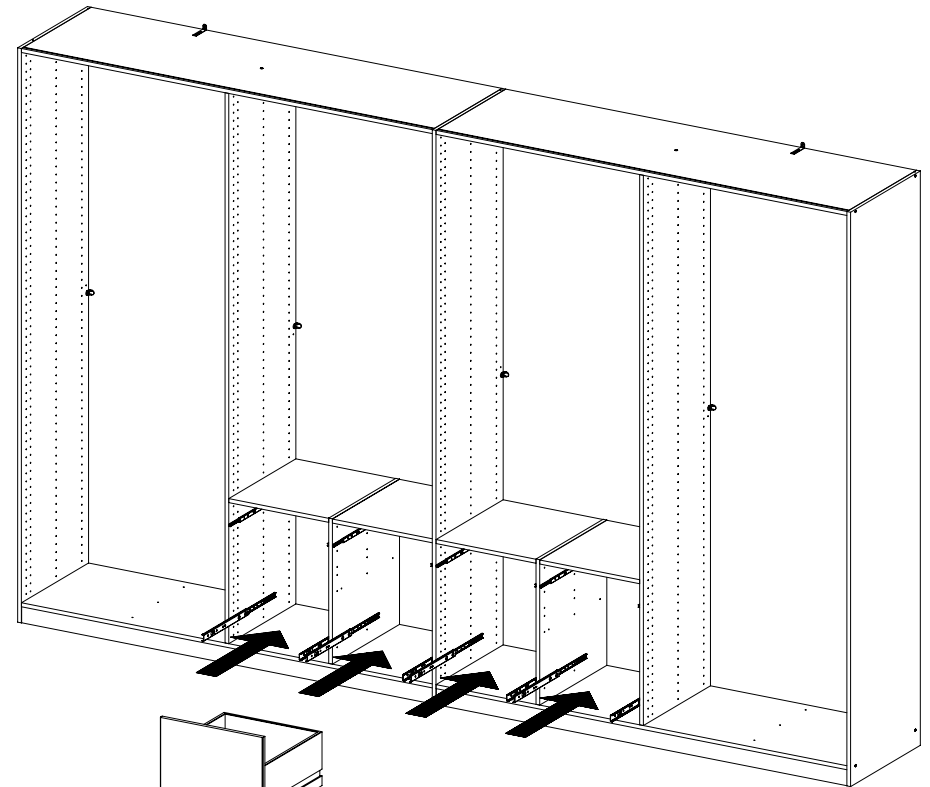
8x

568

M4x9



PZ2



SK010

SK020

SK030

SK040

568



568

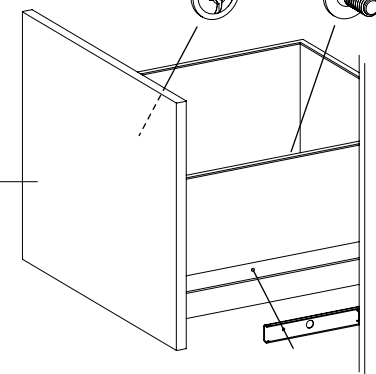


SK010

SK020

SK030

SK040



45

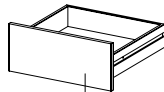
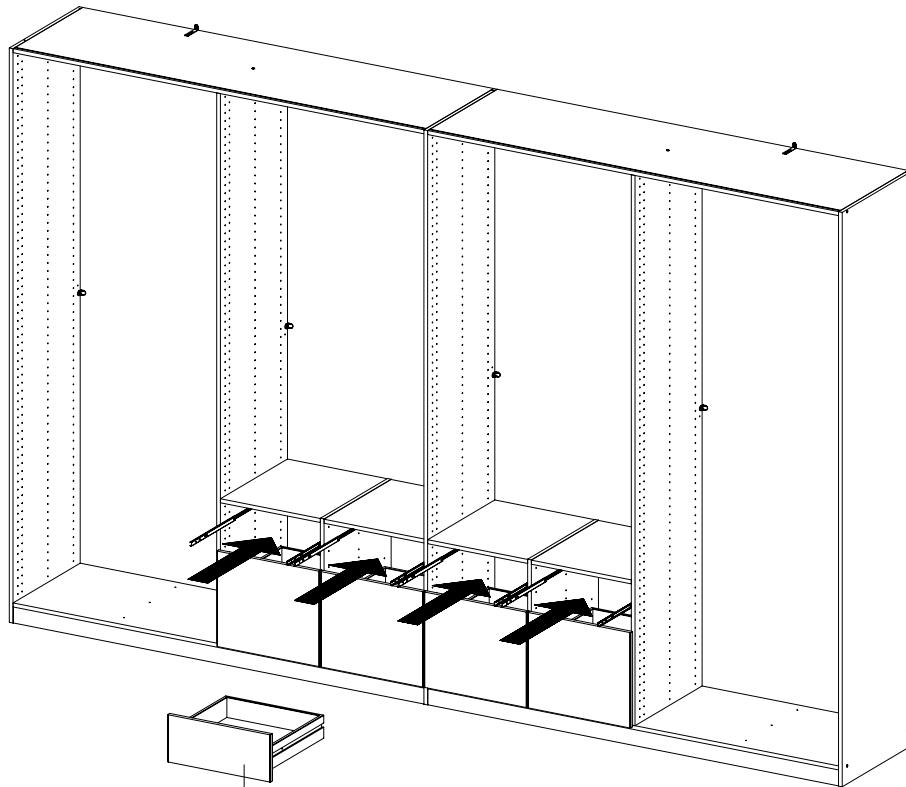
8x

568

M4x9



PZ2



SK050

SK060

SK070

SK080

568



568

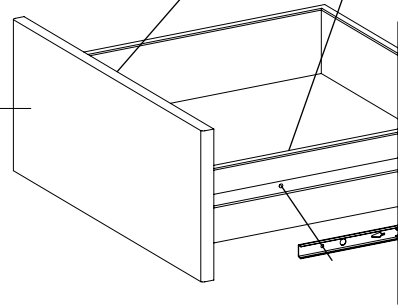


SK050

SK060

SK070

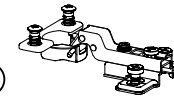
SK080



46

16x

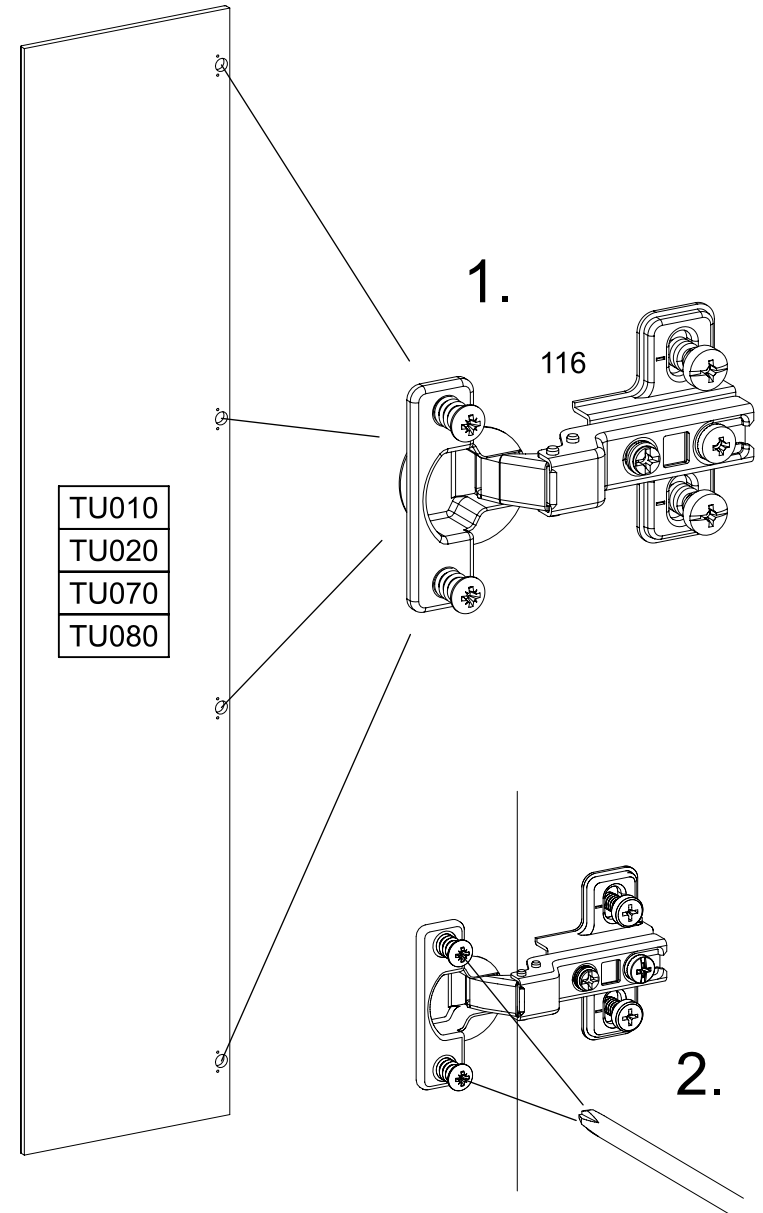
116



PZ2

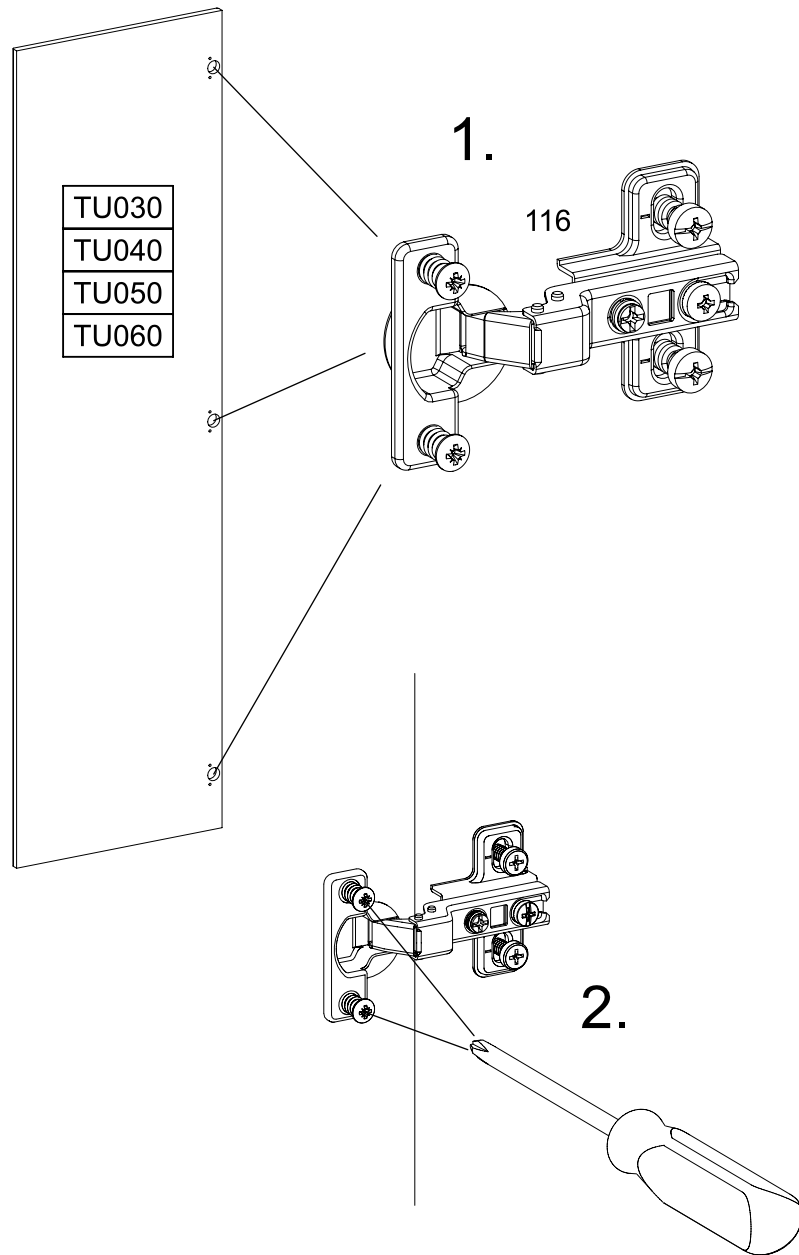
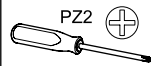
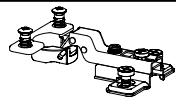


SCAN ME

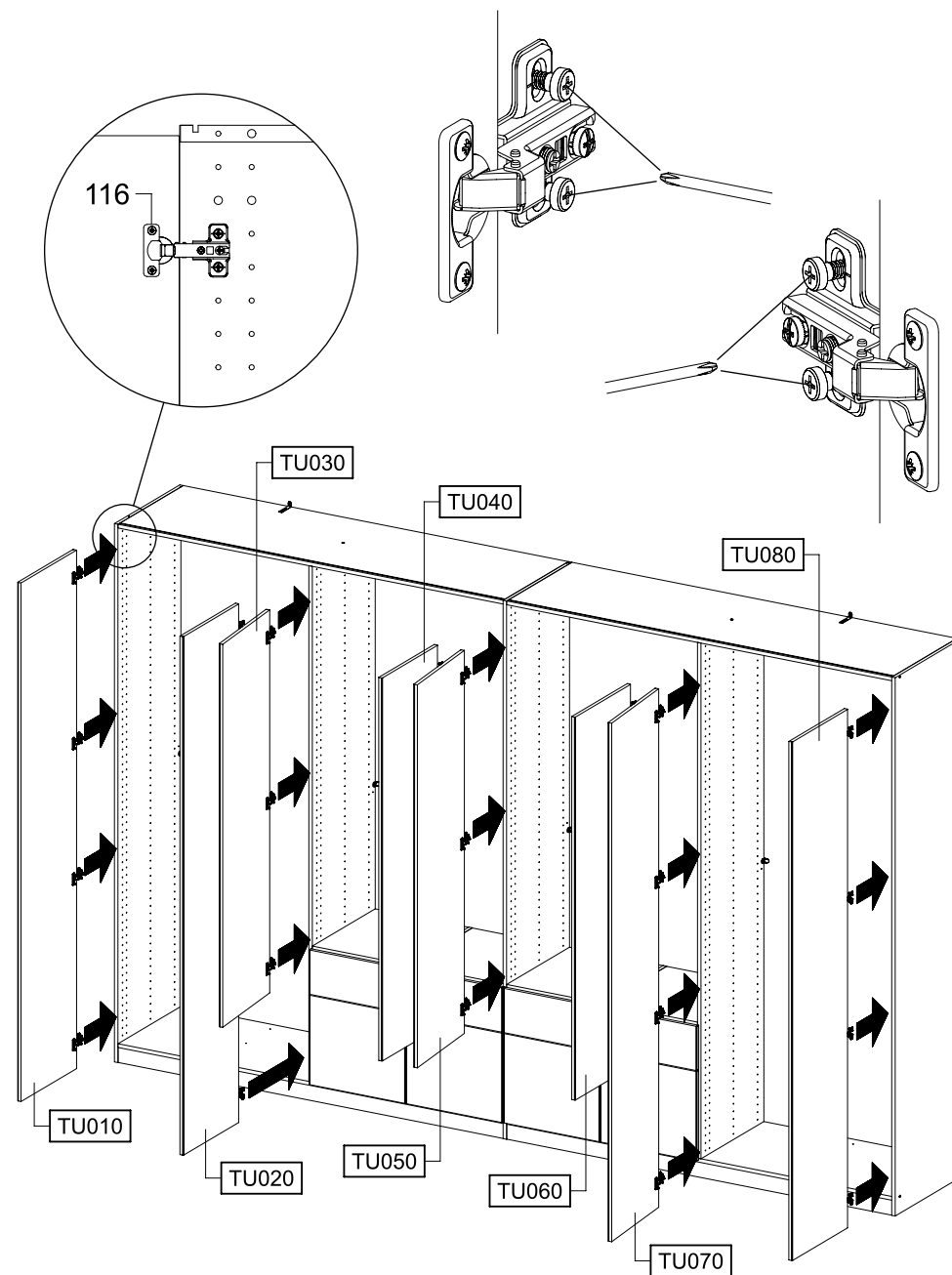
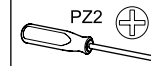


47

12x 116

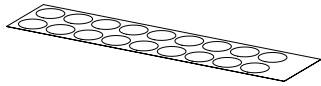


48

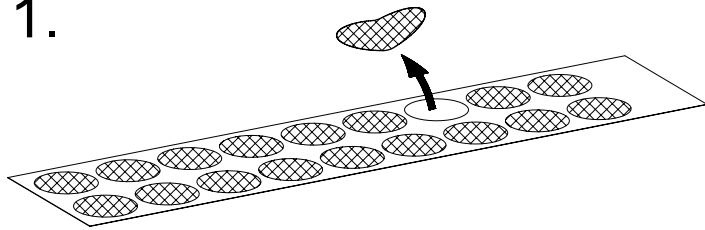


49

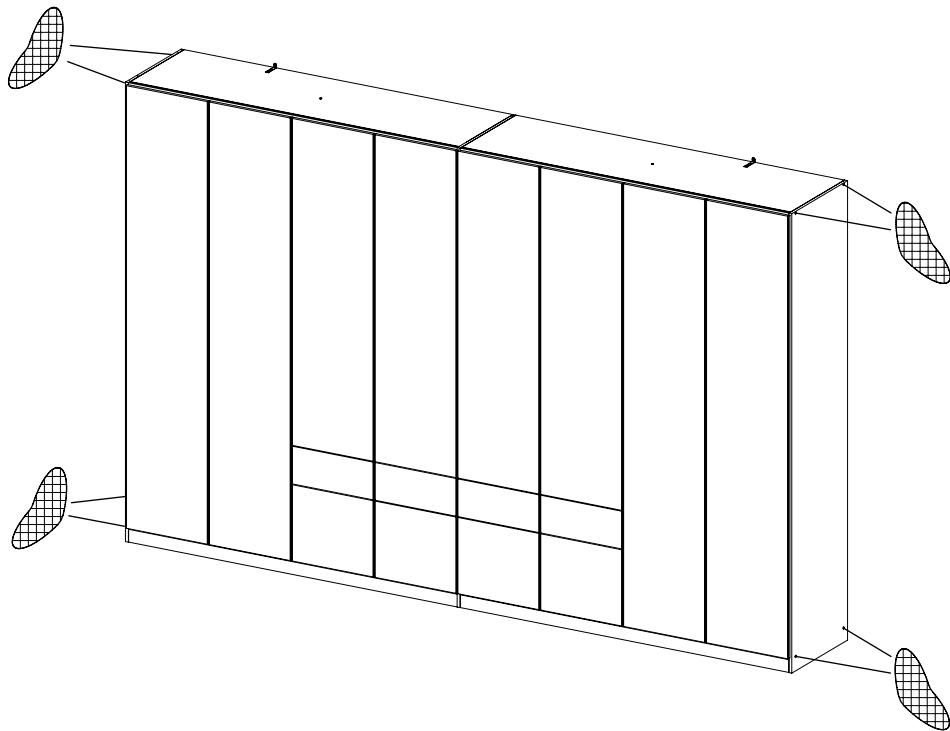
1x RE010



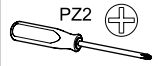
1.



2.



50



SCAN ME

