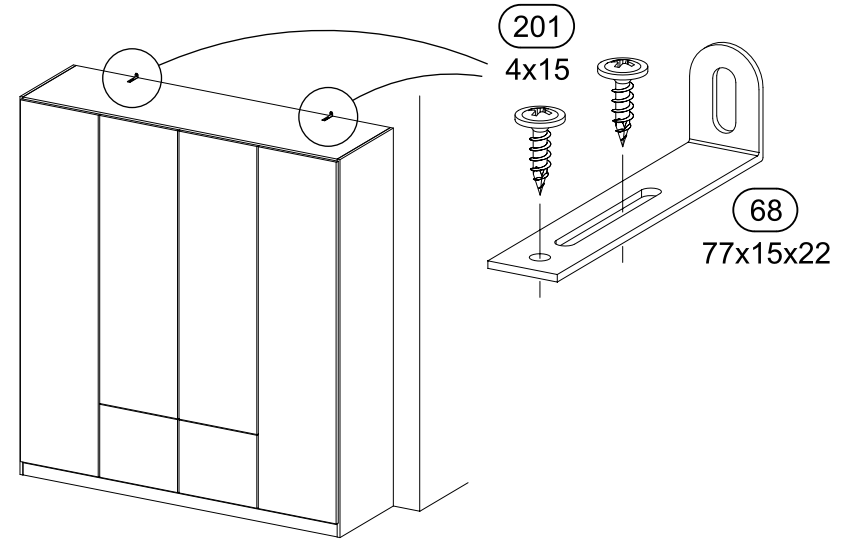
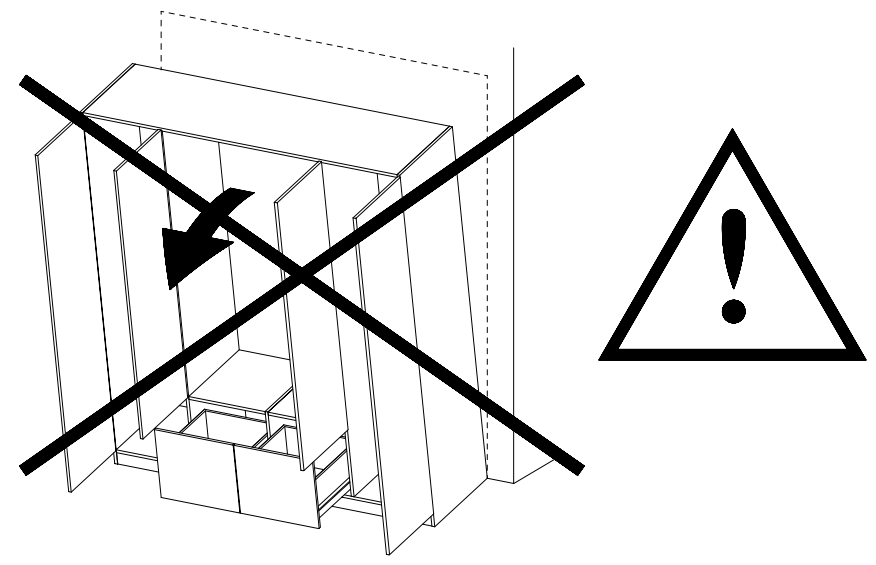
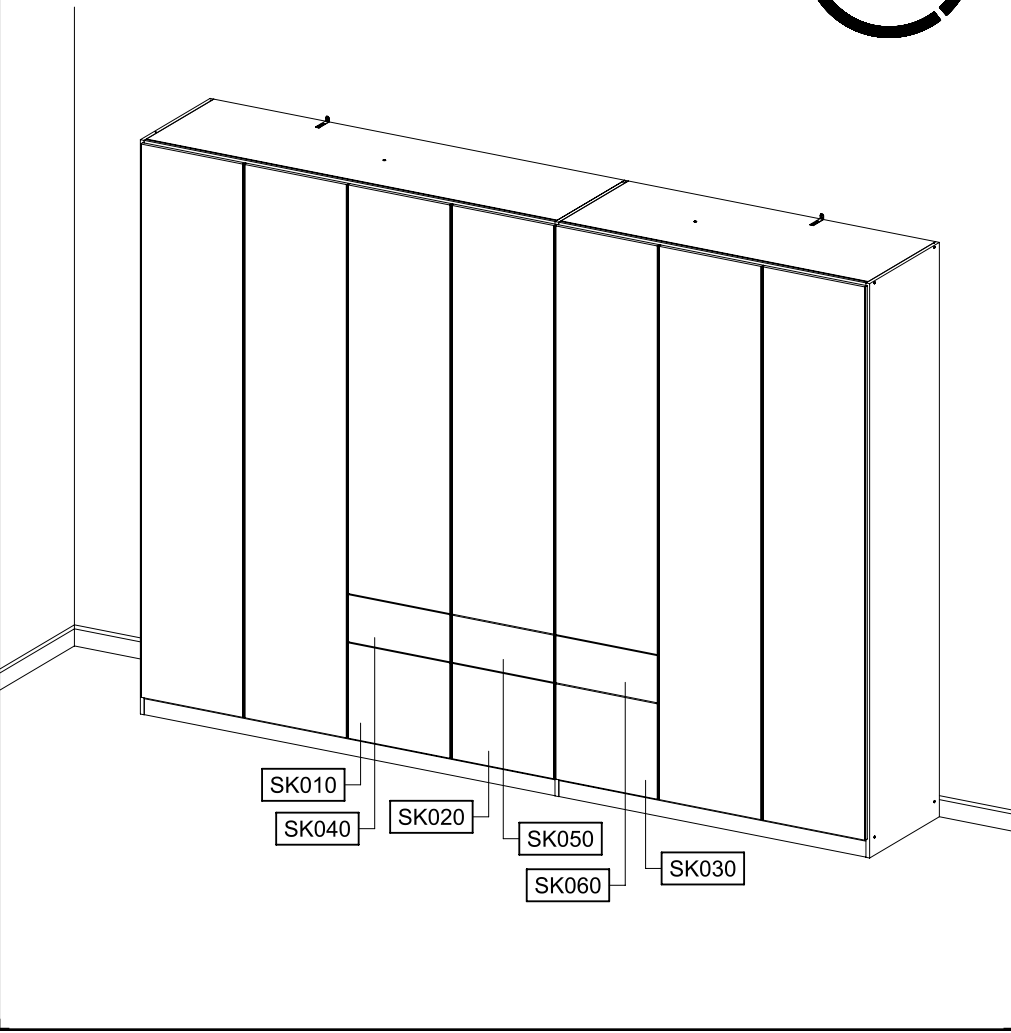
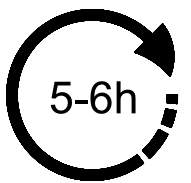
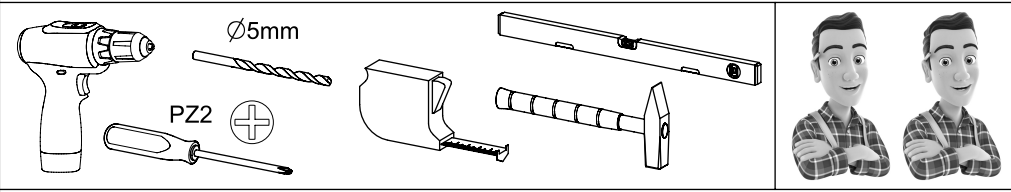
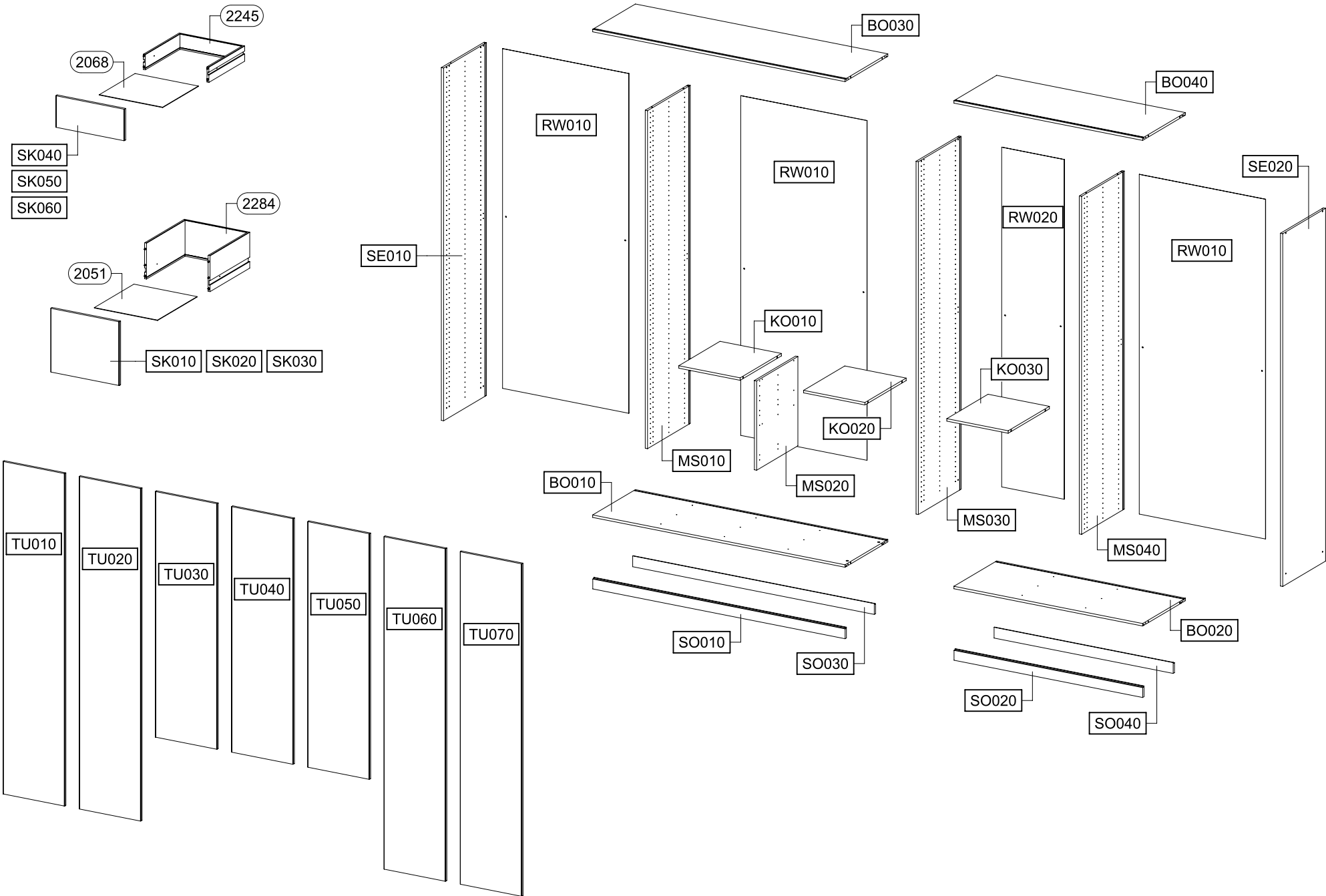
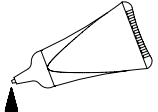


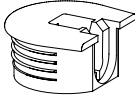

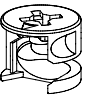
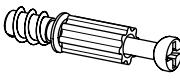
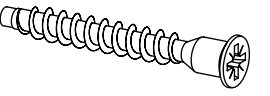



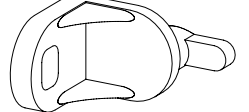
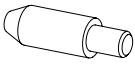
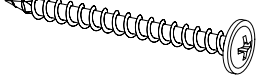
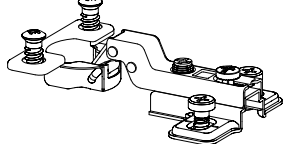
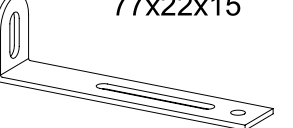
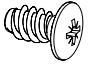
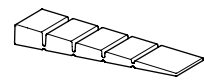
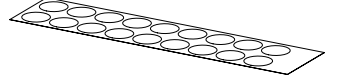
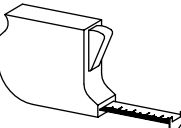
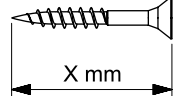
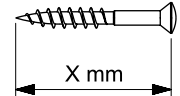
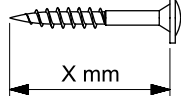
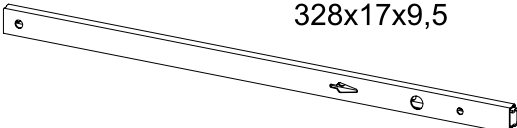
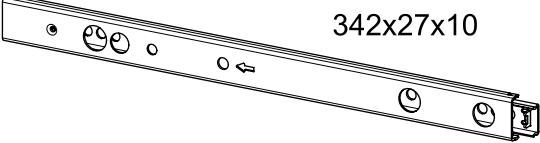
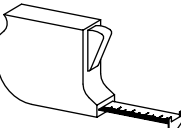
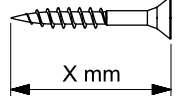
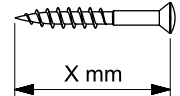
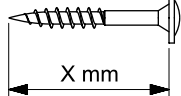


# M3222\_01

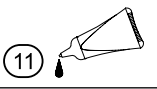




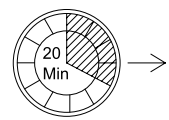
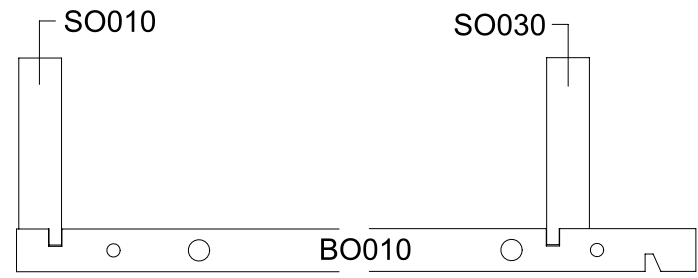
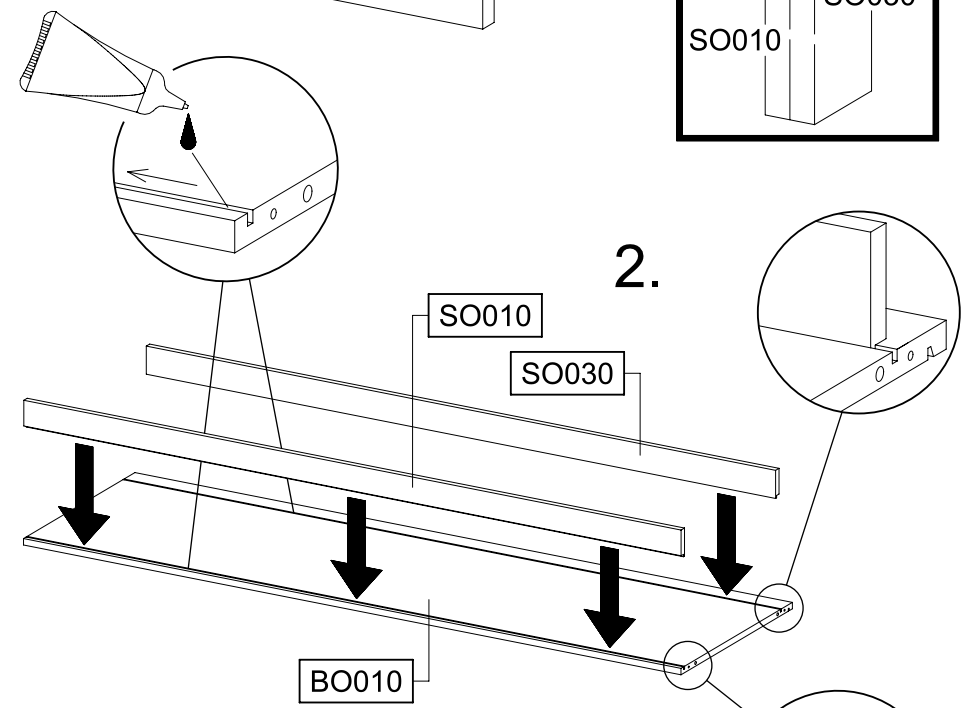
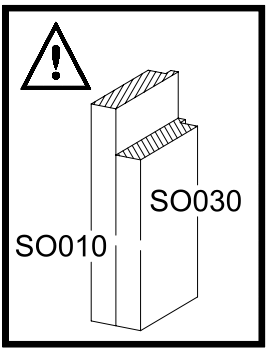
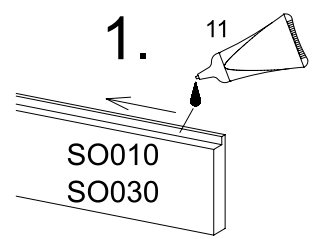
 11	4x 4x15  201	12x M4x9  568	
12x  274	12x 5,0x7,0  249	4x  173	
4x  183	12x 6,3x50  233	24x 6x8  534	
8x 8x30  18	12x 3,5x15  205	8x  1	
10x  807	2x 4,5x50  296		
25x  116	2x 77x22x15  68		
8x 6,5x12  779	4x 55x16x6,2  12	1x RE010 	
			

6x 328x17x9,5  251
6x 342x27x10  1396





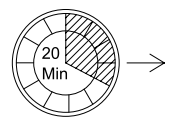
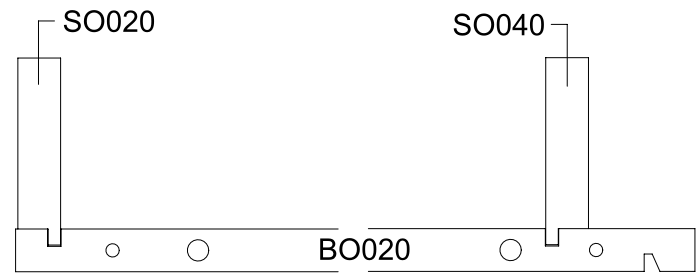
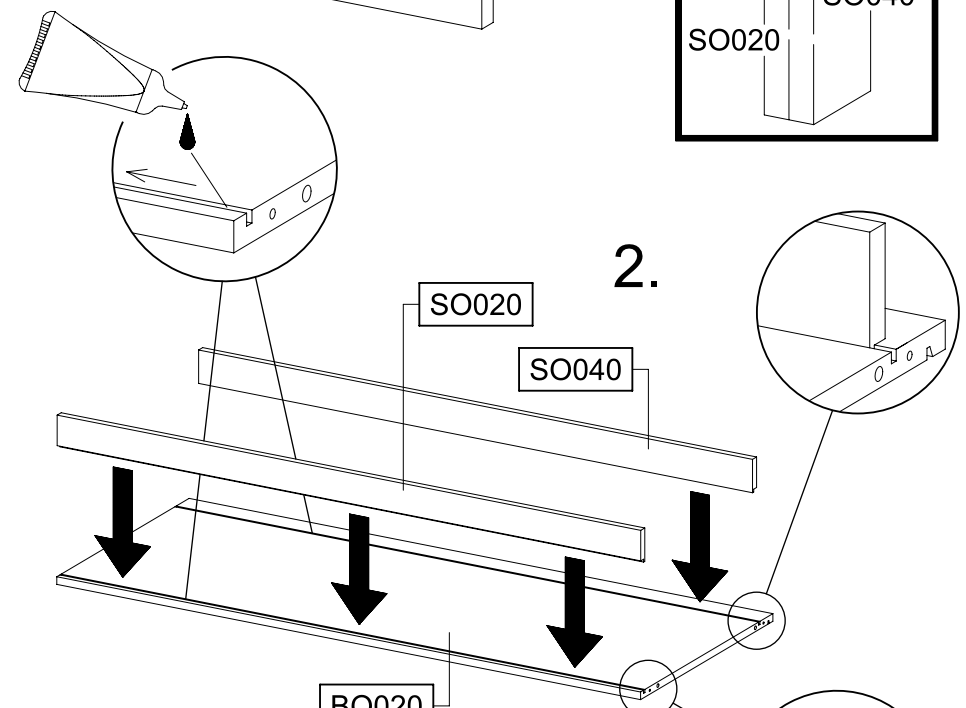
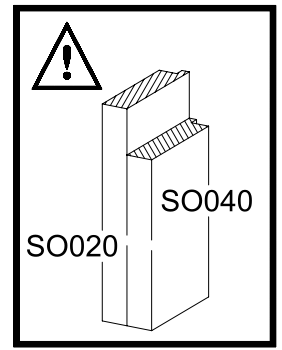
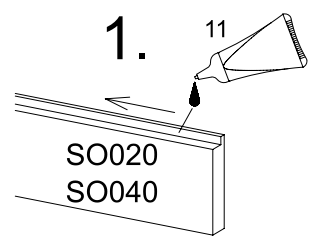
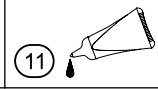
1



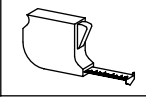
SCAN ME



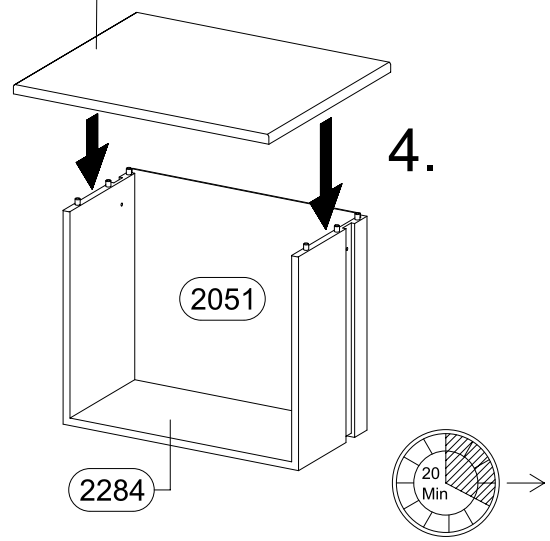
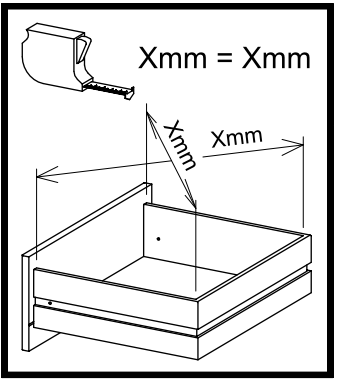
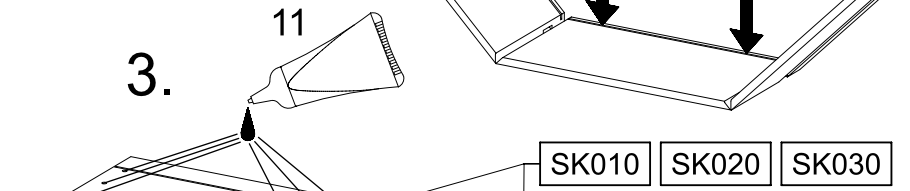
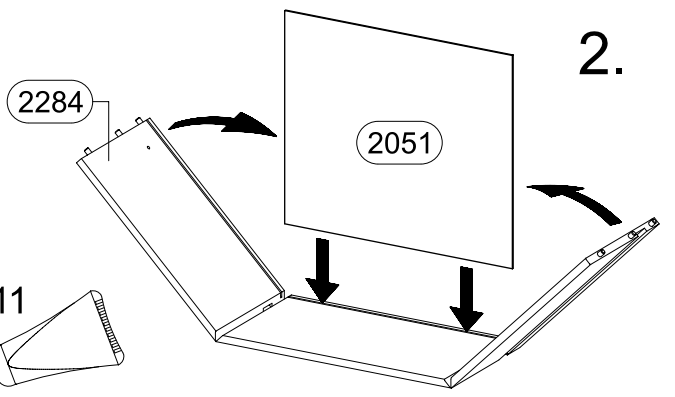
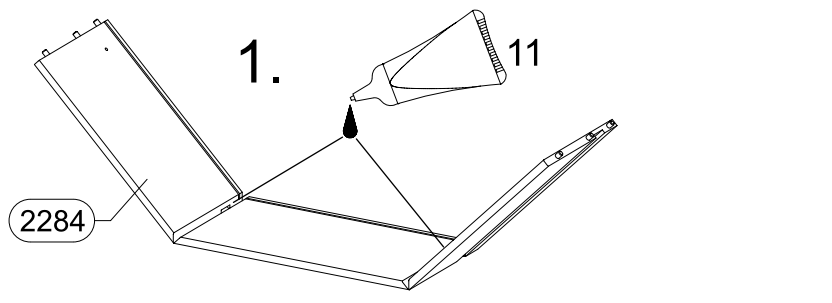
2



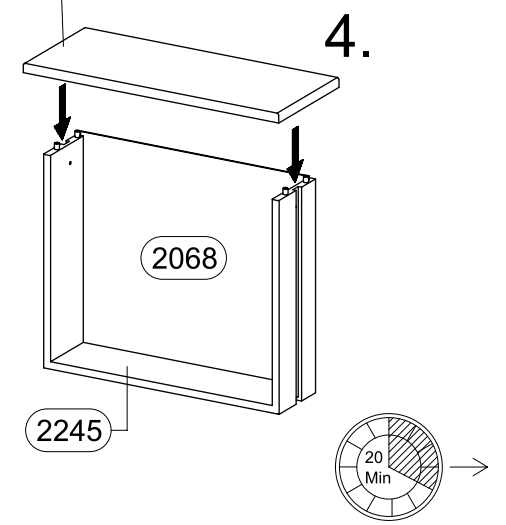
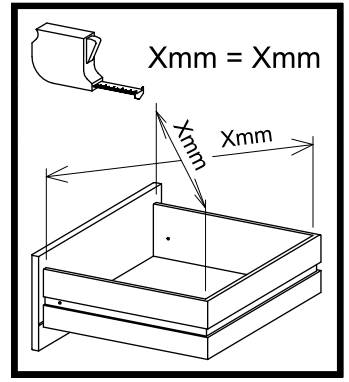
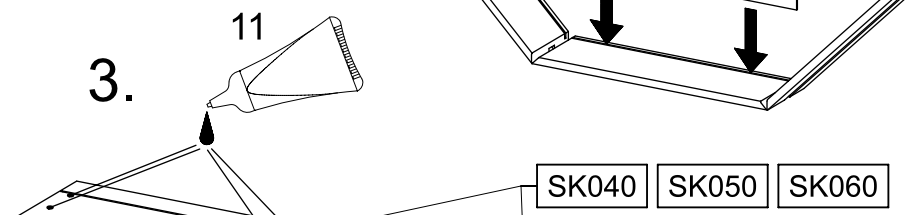
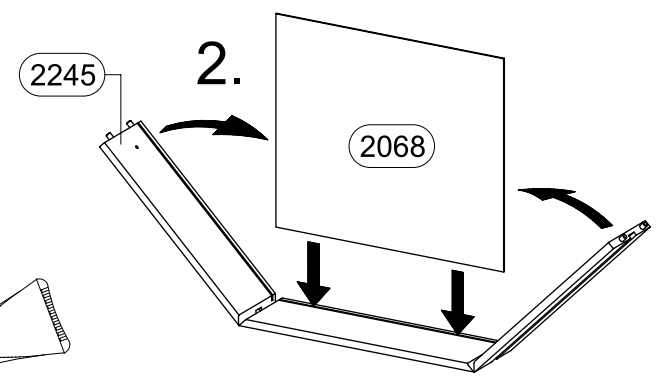
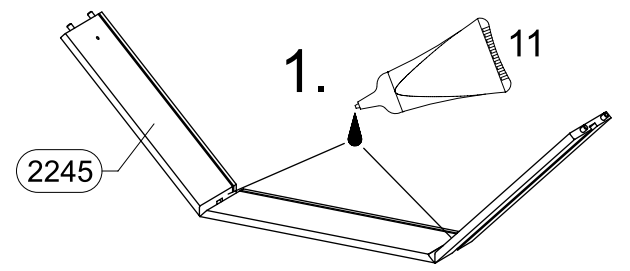
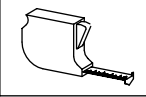
3

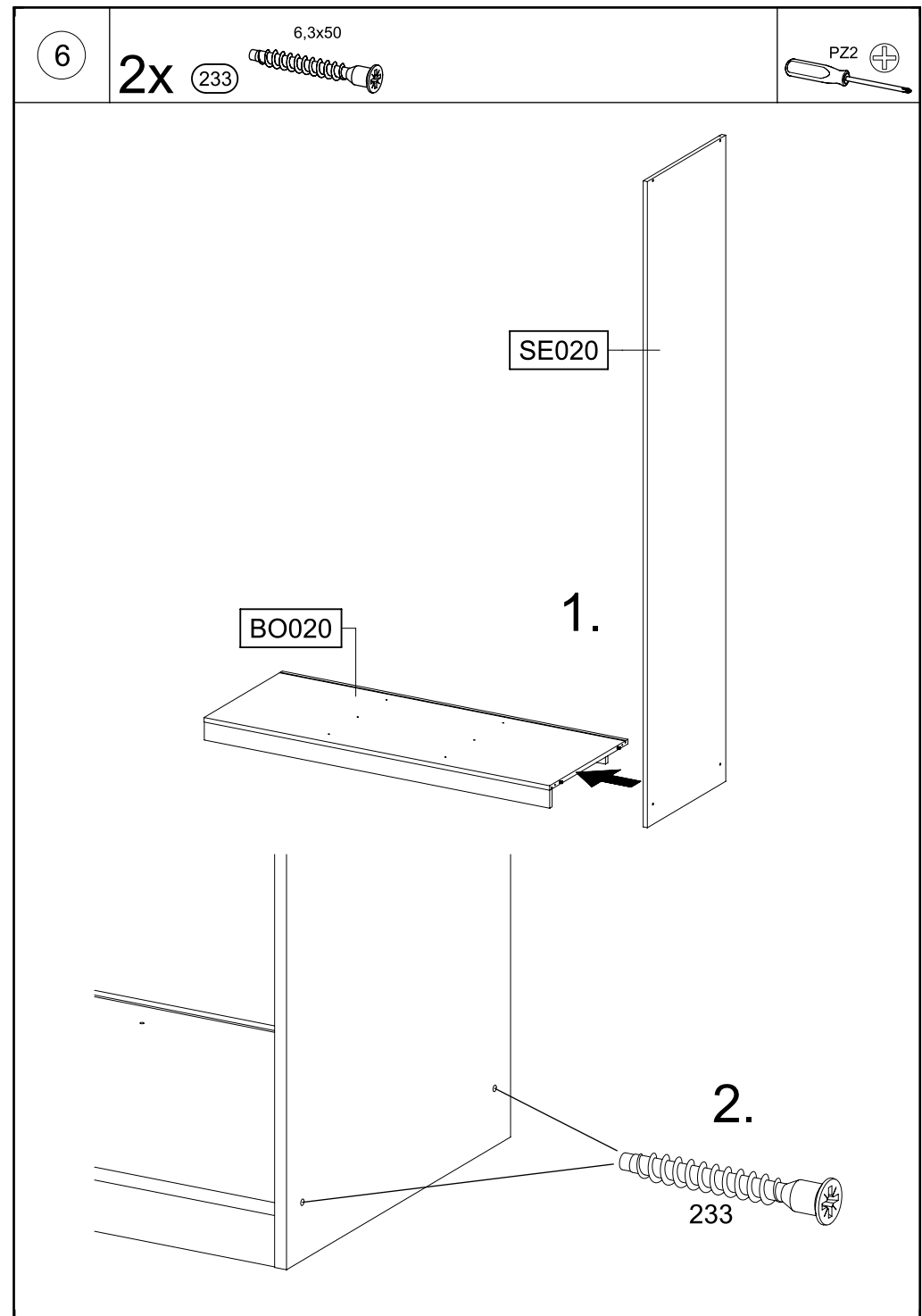
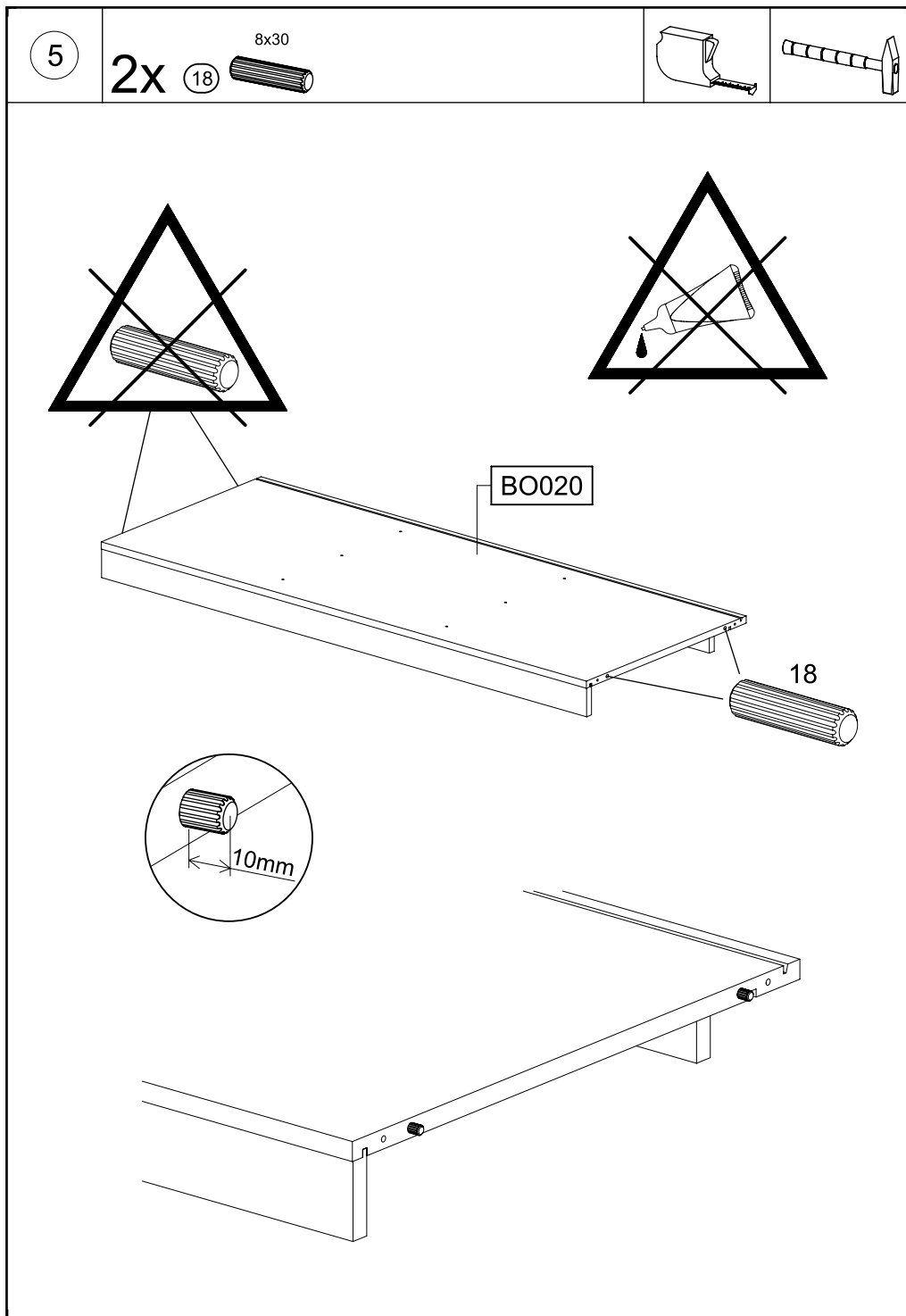


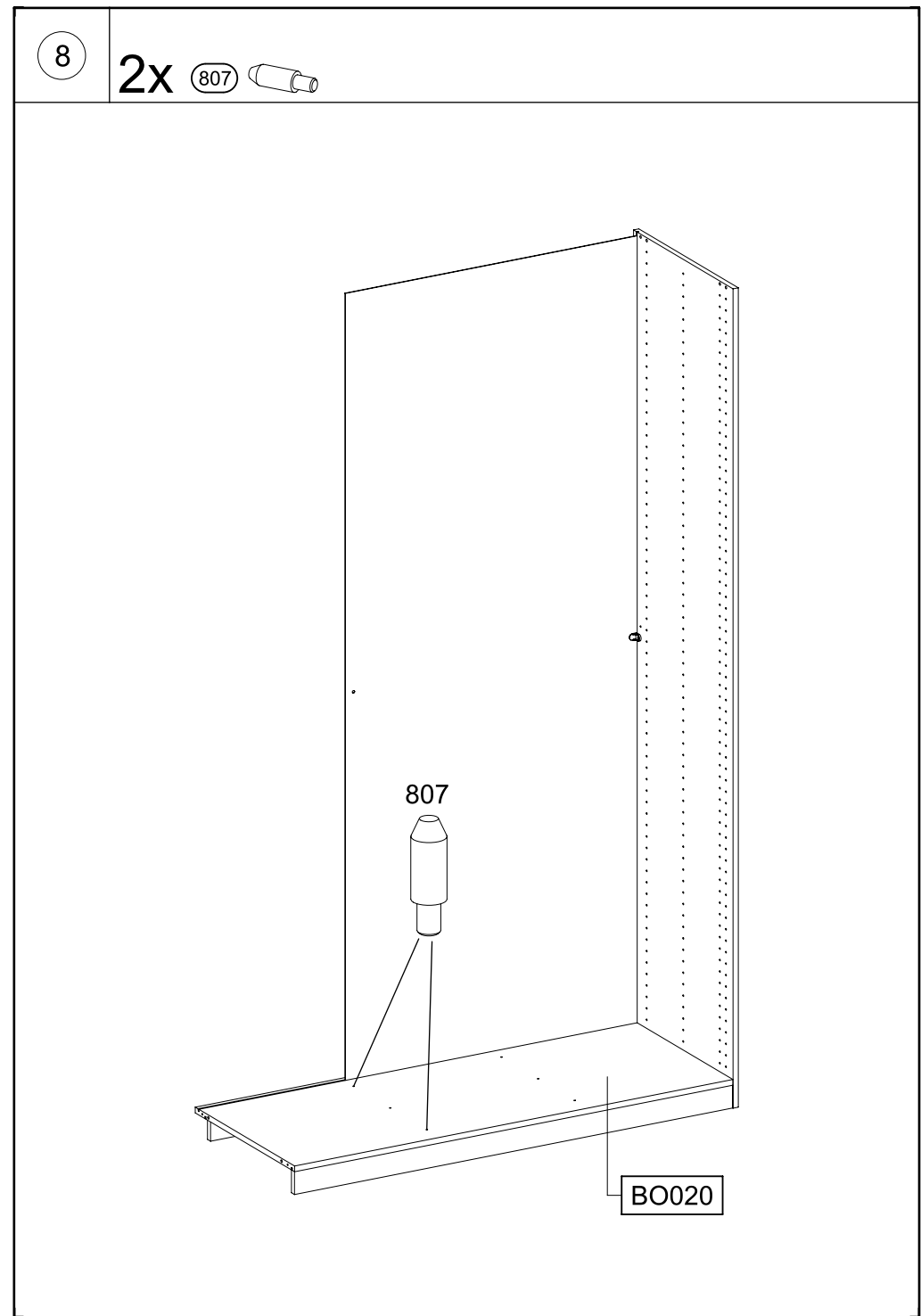
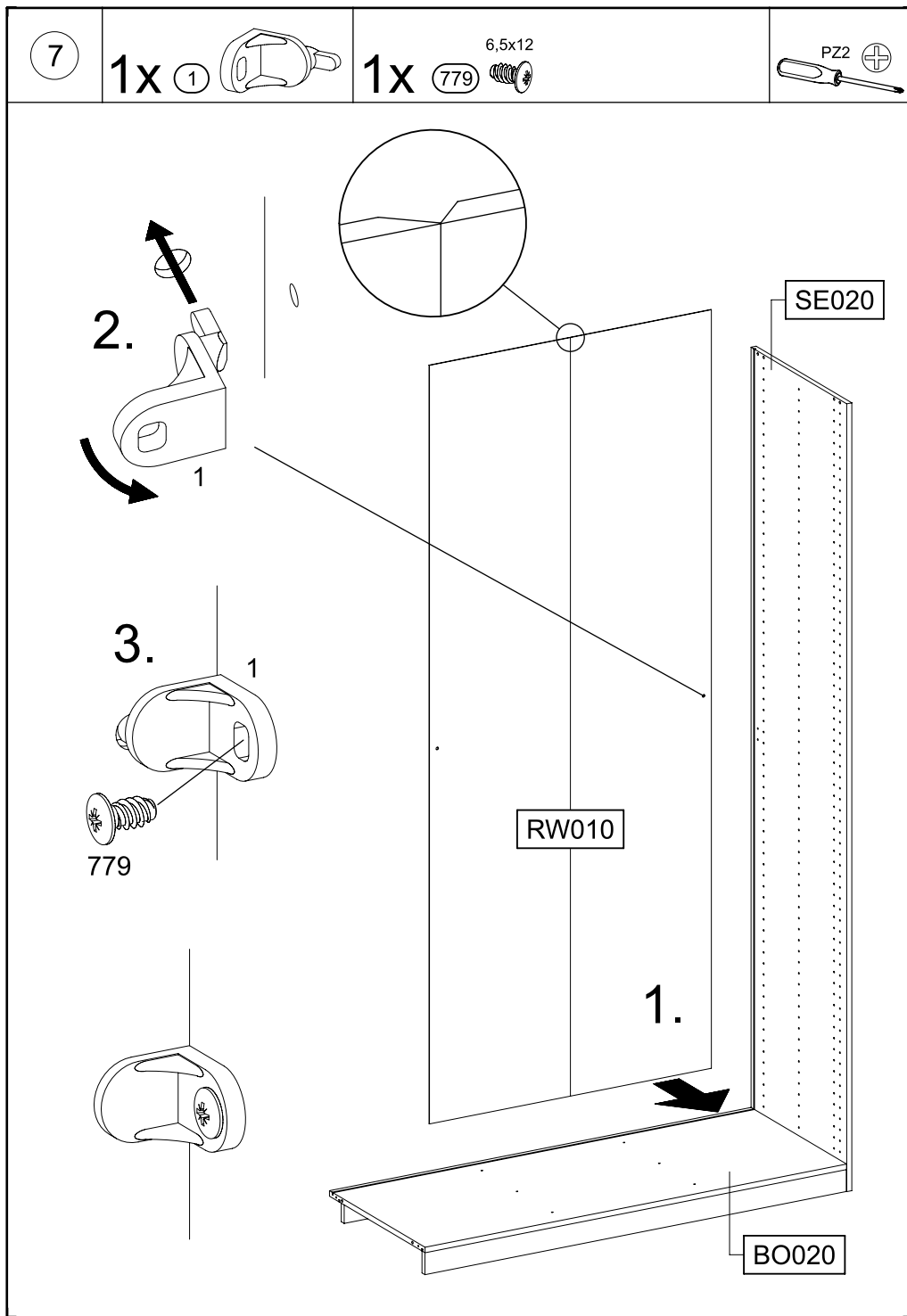
SCAN ME

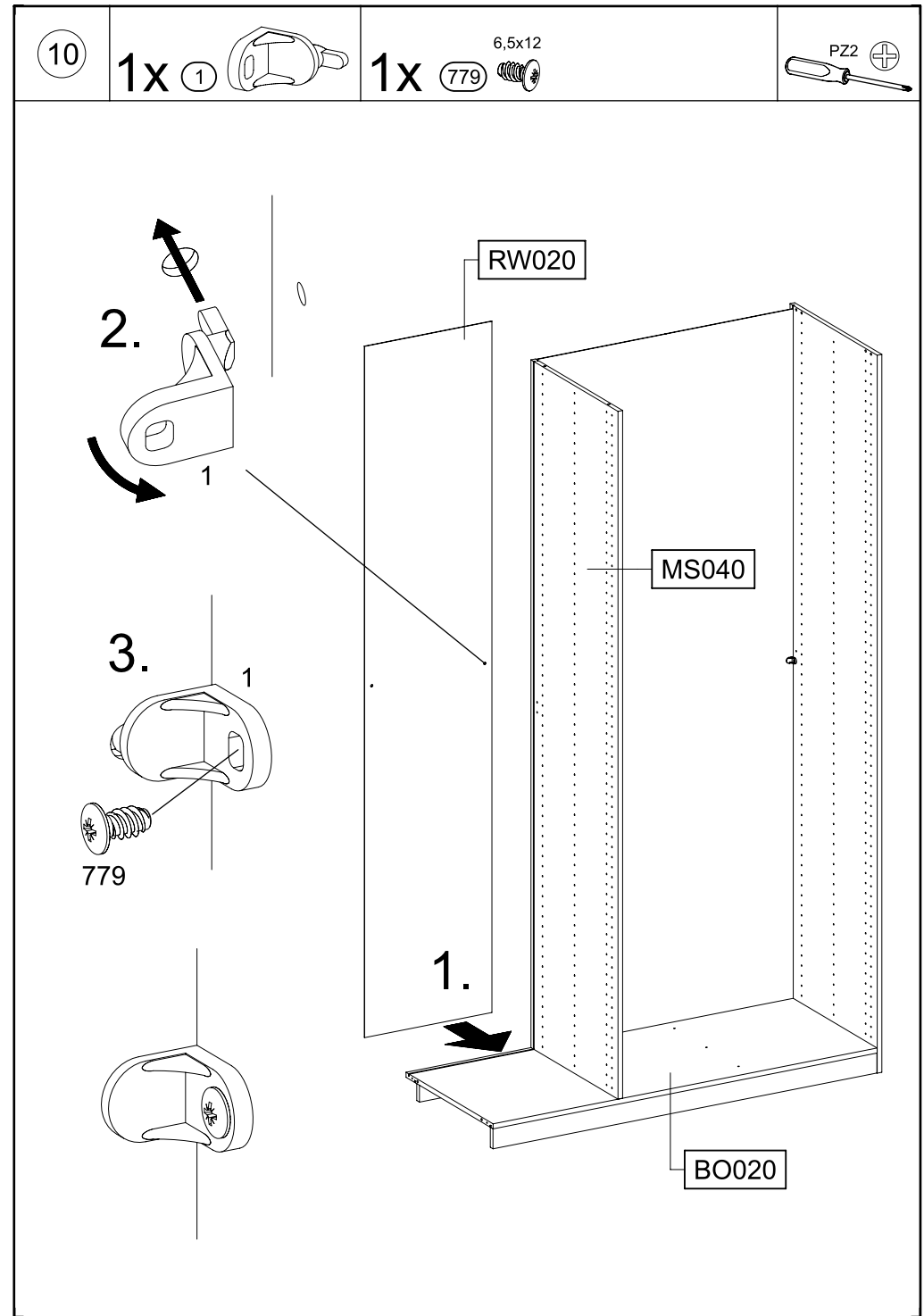
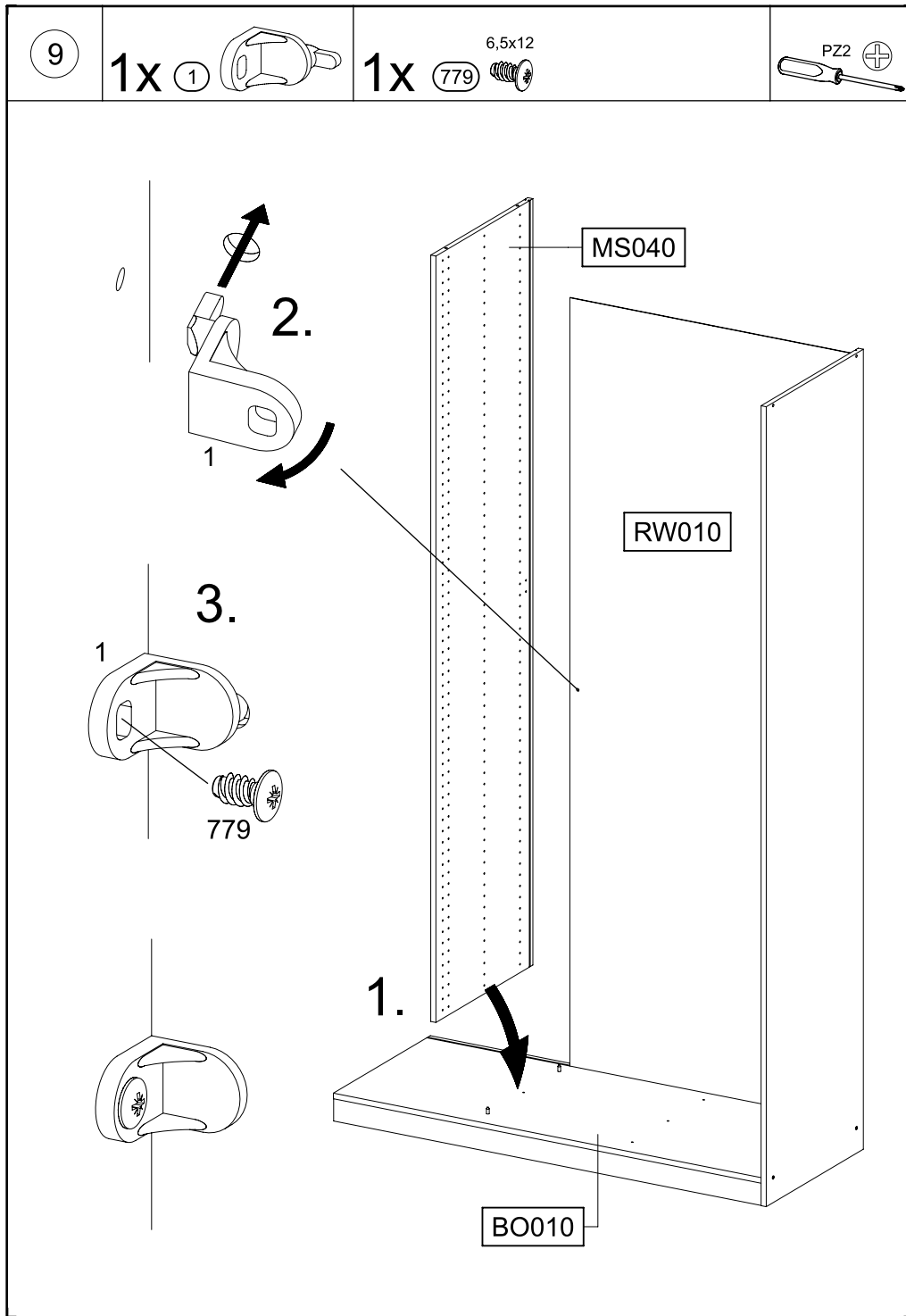


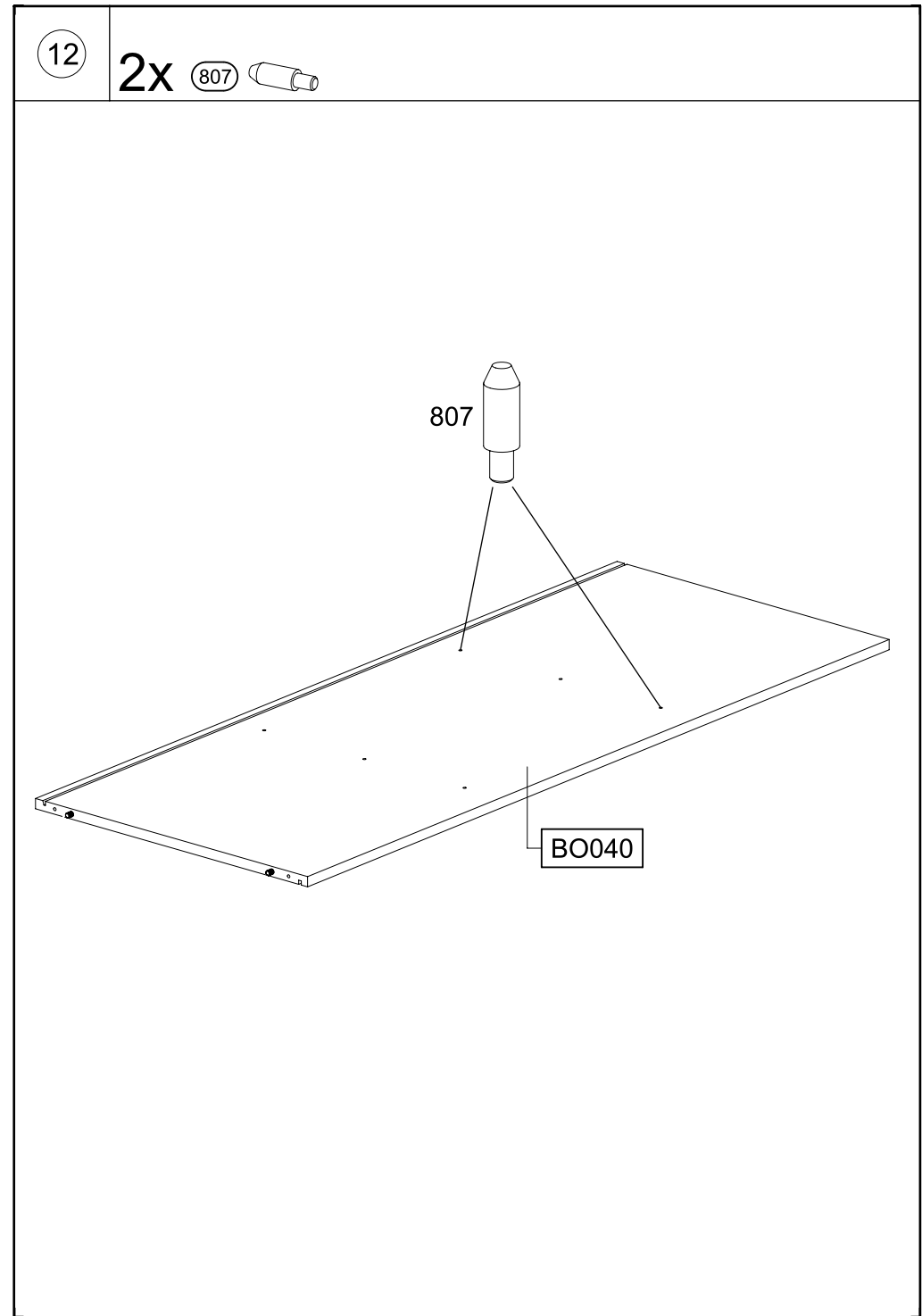
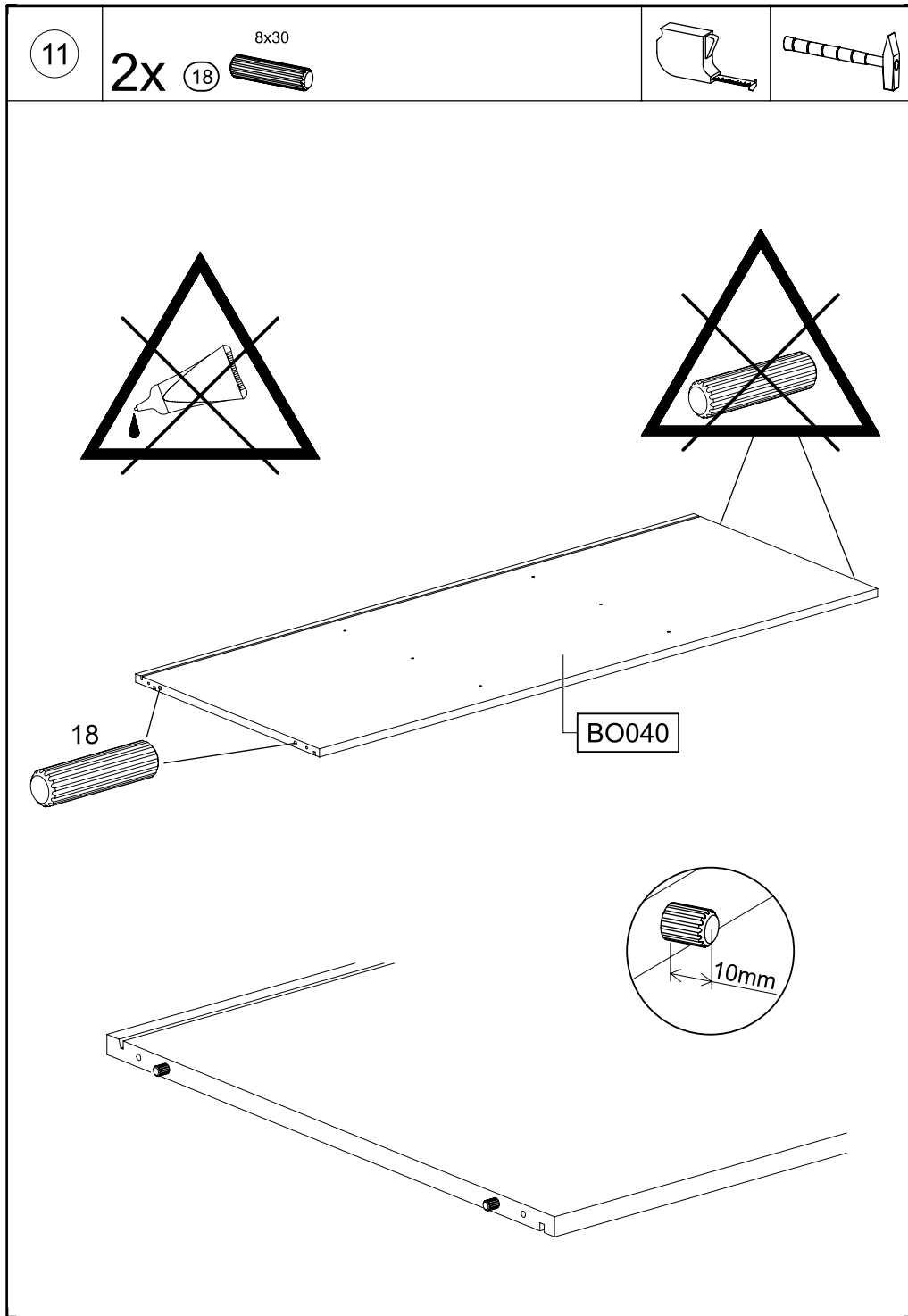
4



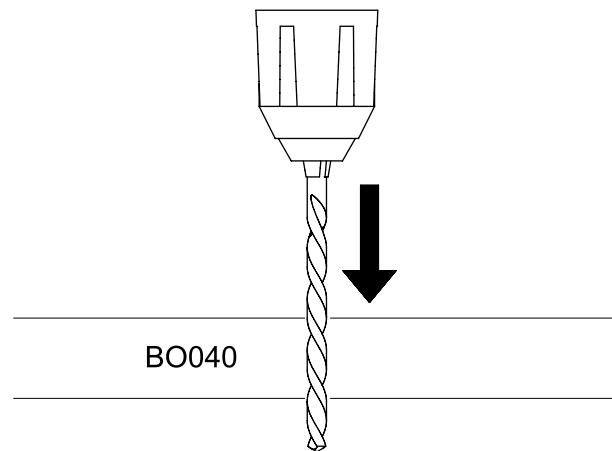
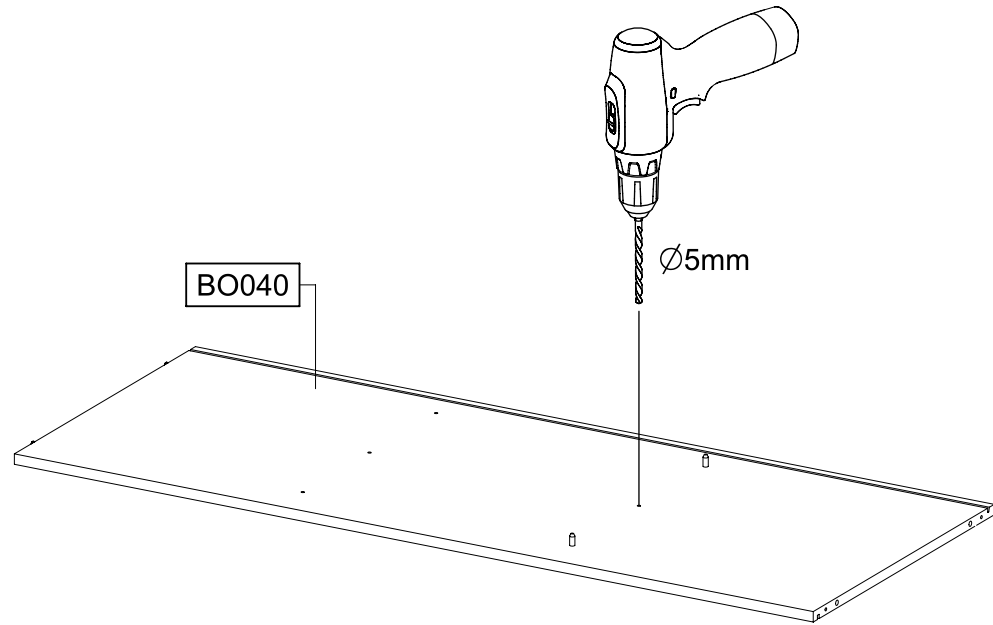






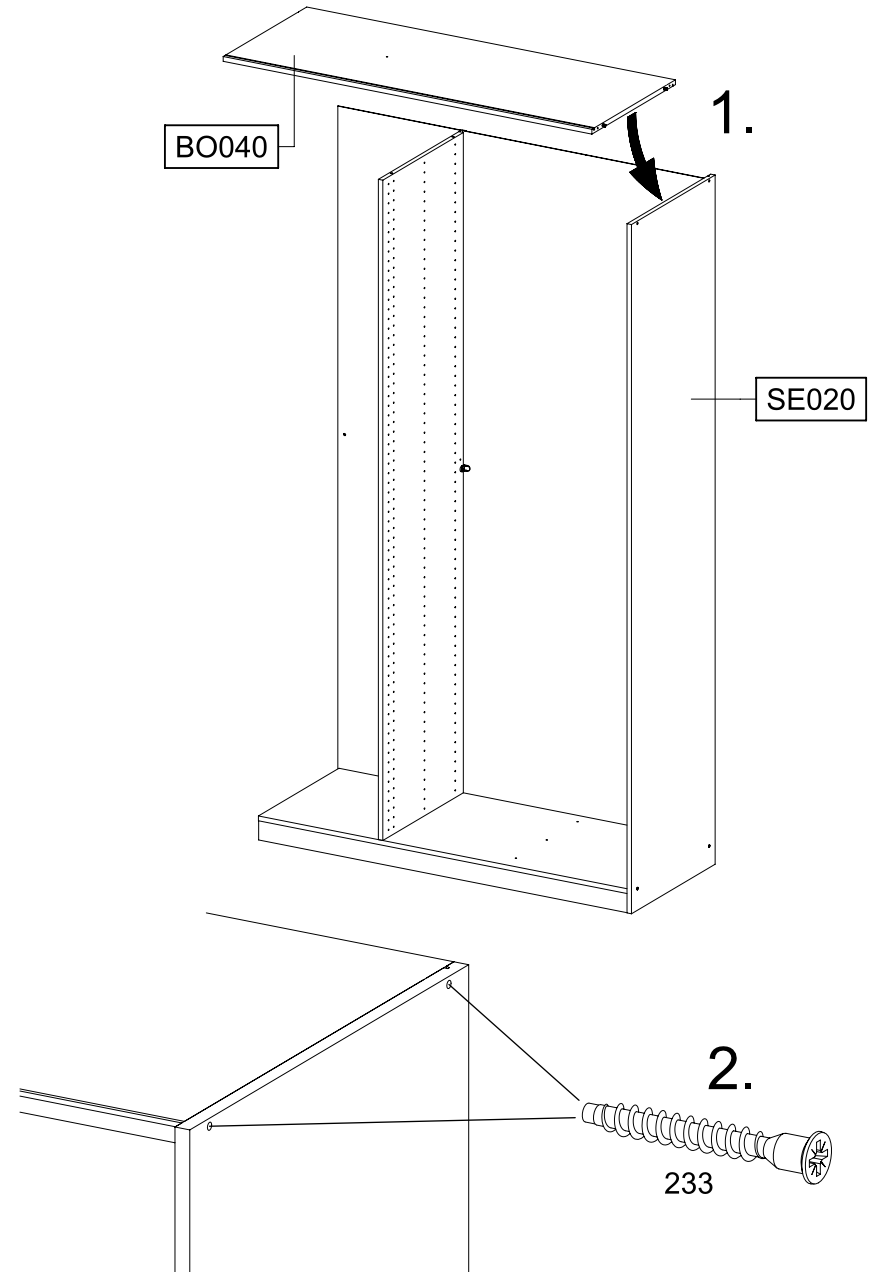
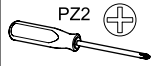
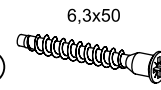


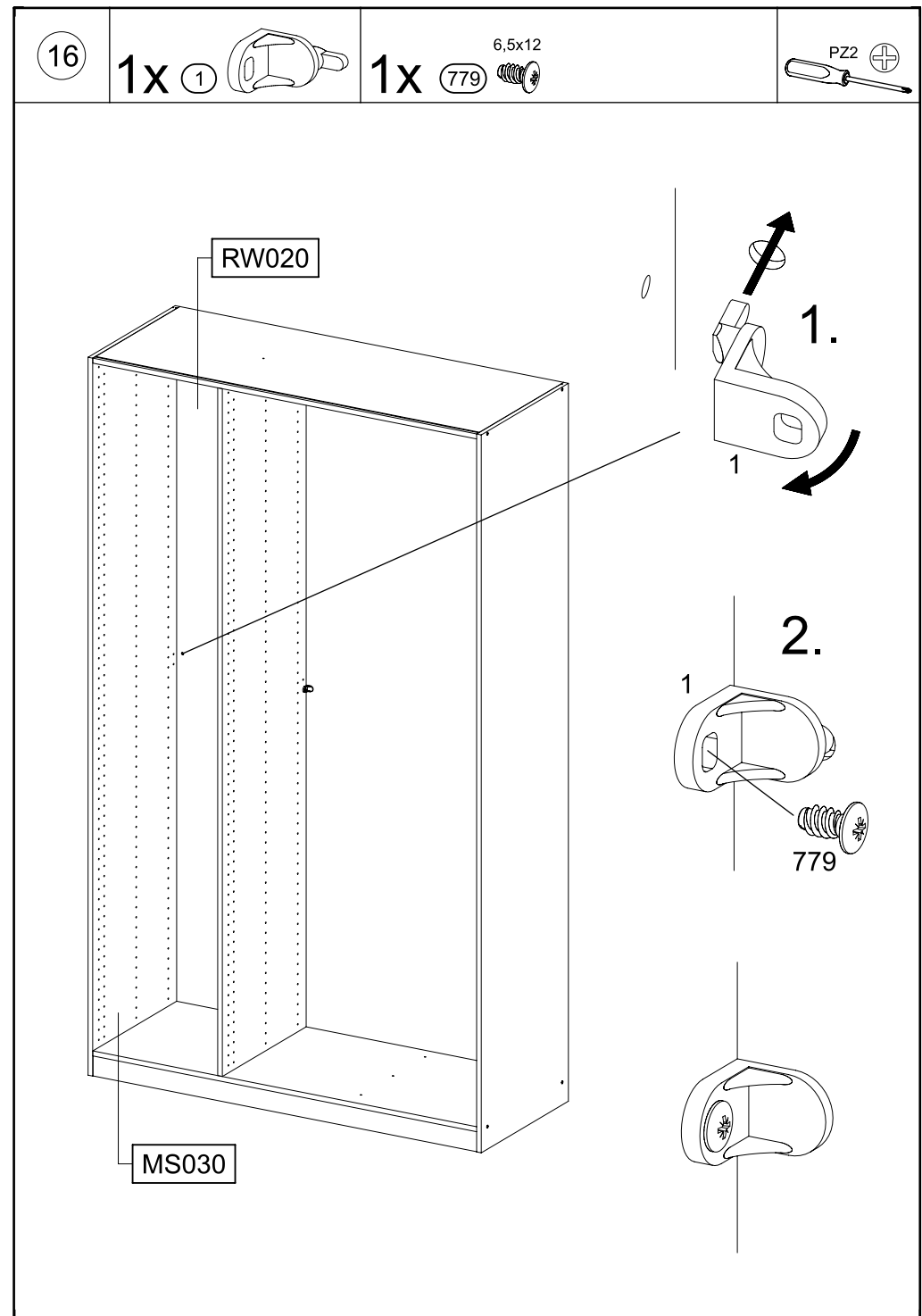
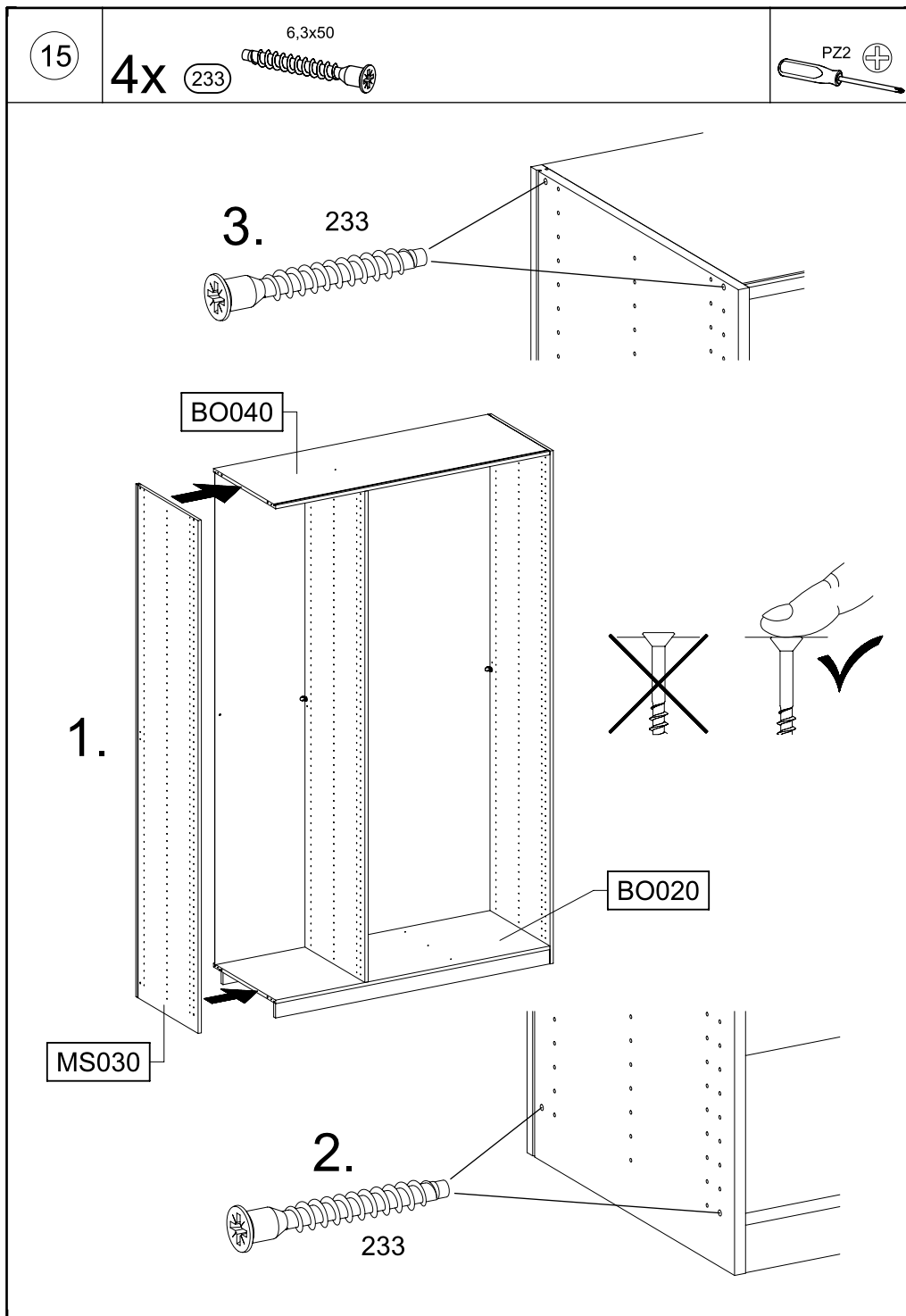
13

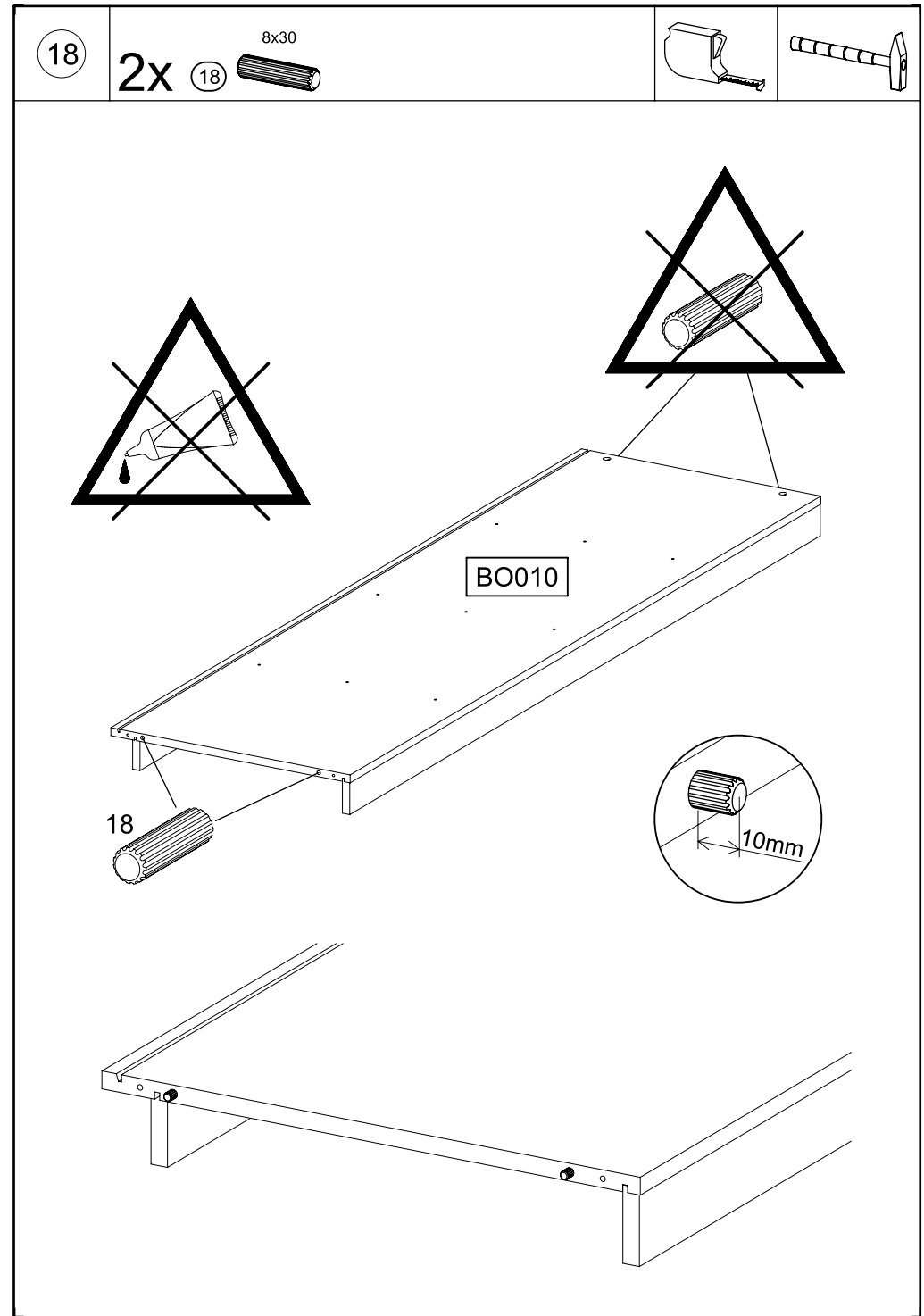
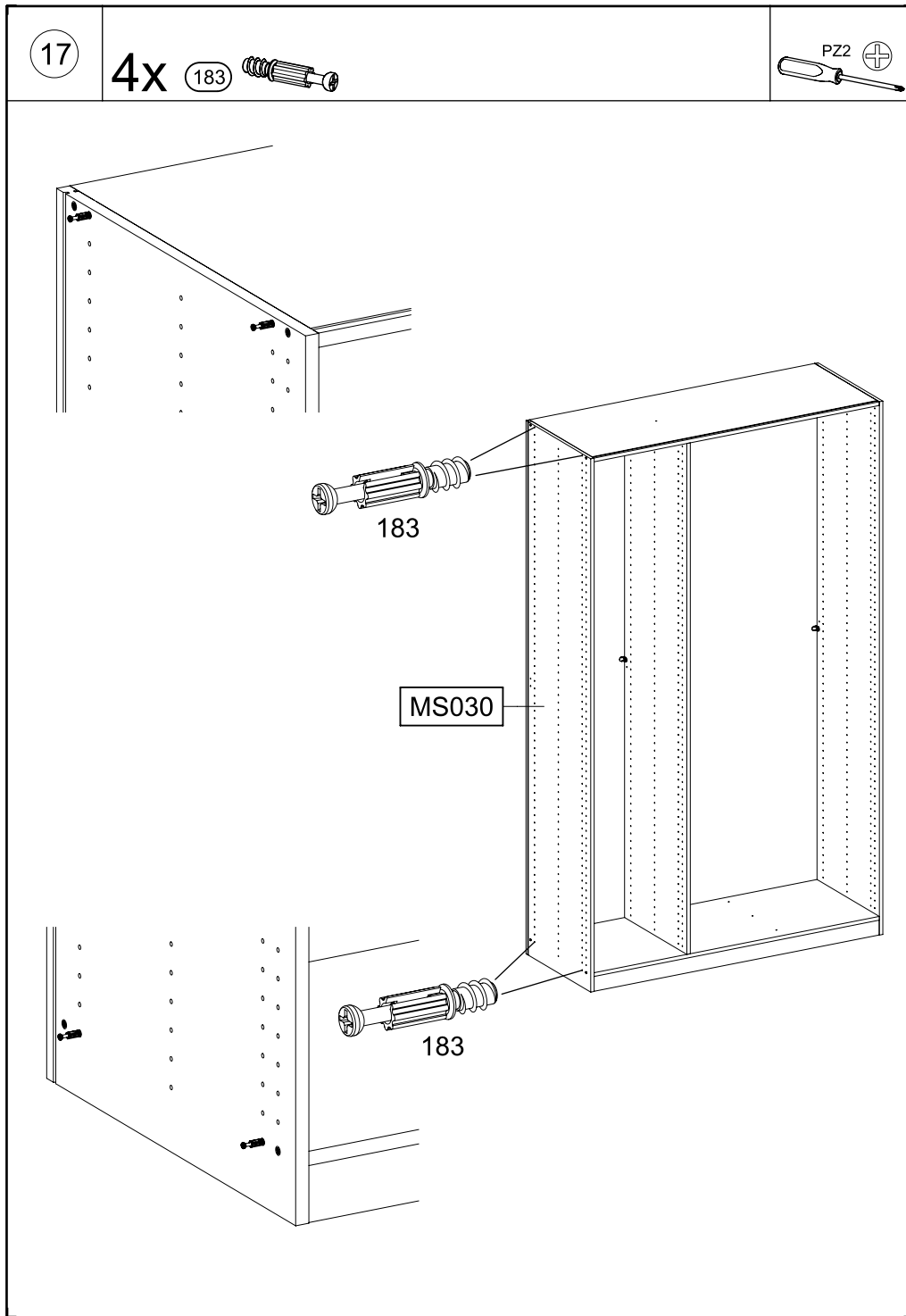


14

2x 233



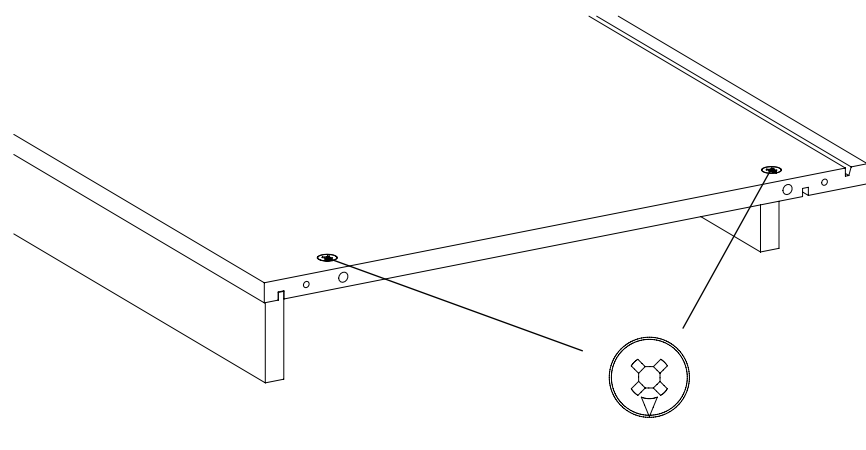
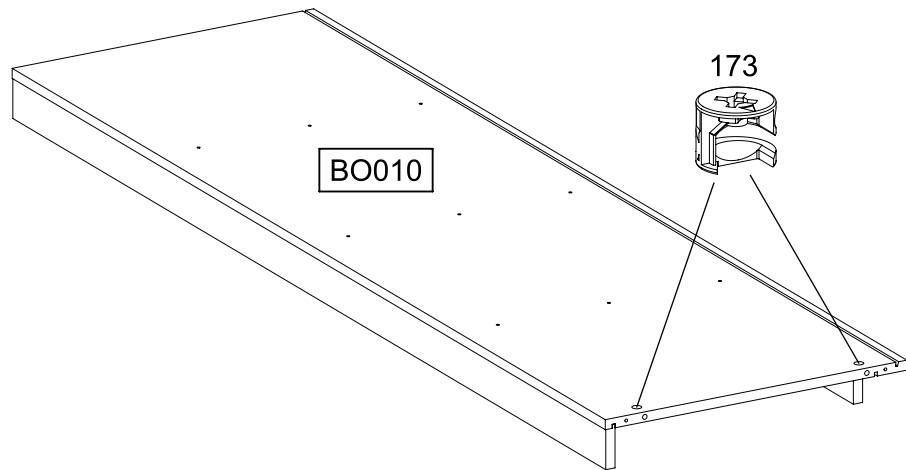




19

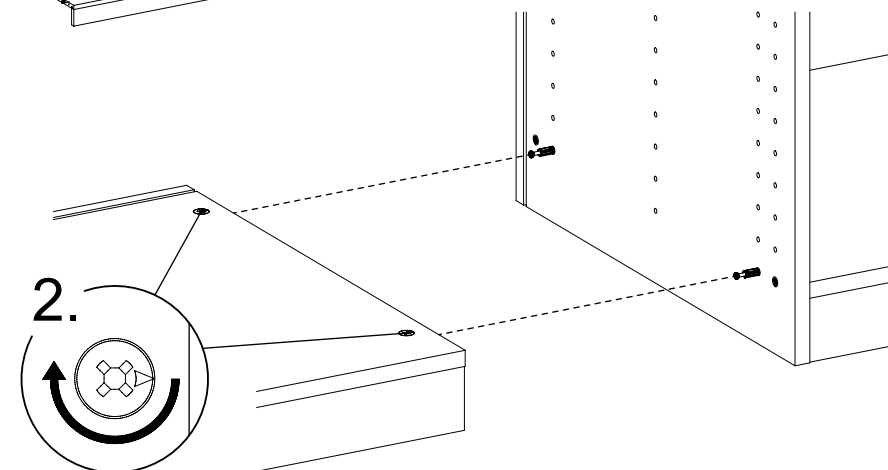
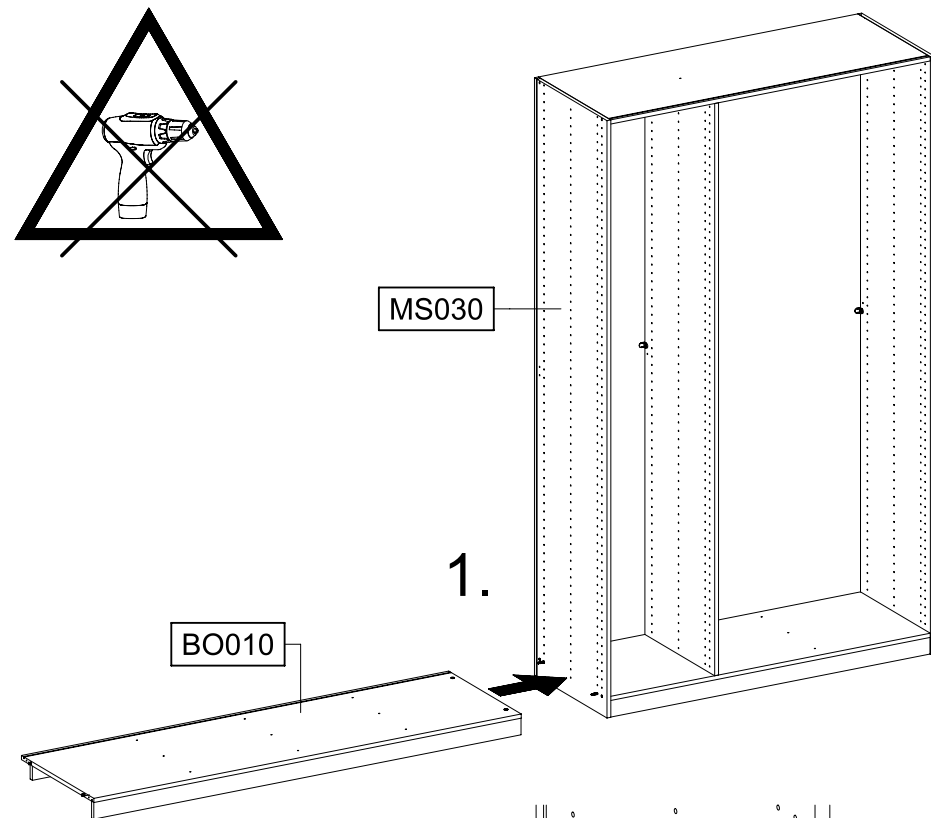
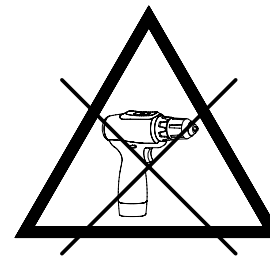
2x

173



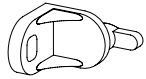
20

PZ2



21

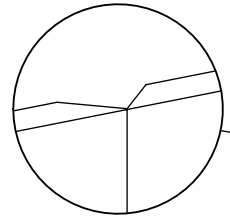
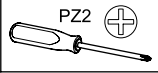
1x ①



1x ②

779

6,5x12

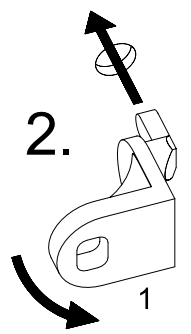
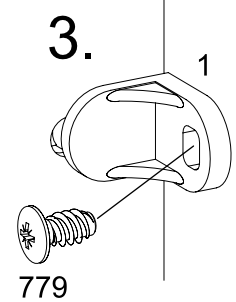
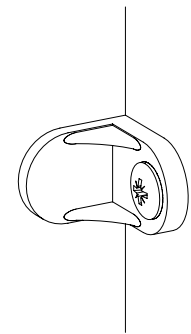
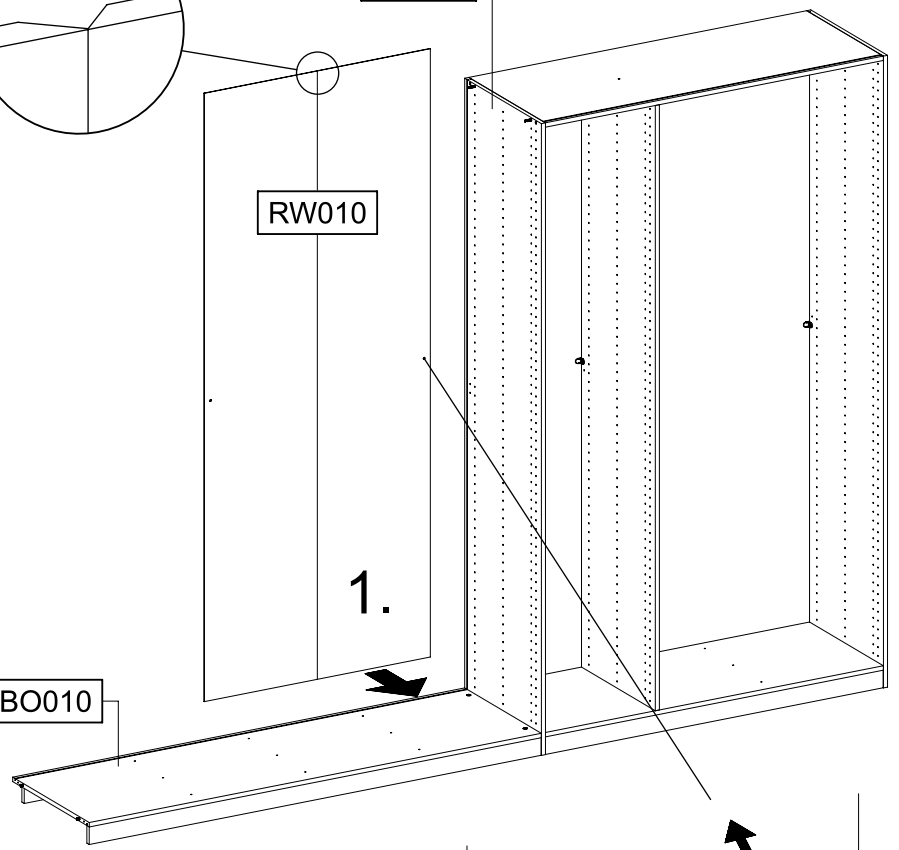


MS030

RW010

1.

BO010



22

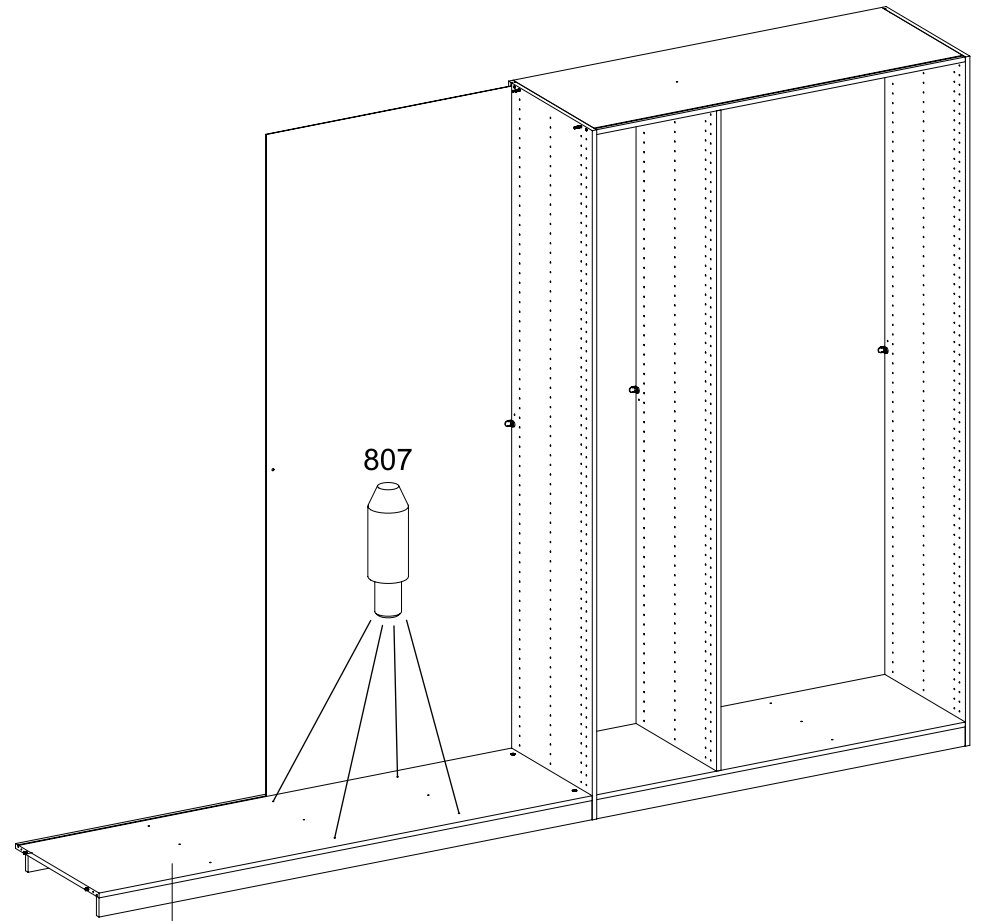
4x ③

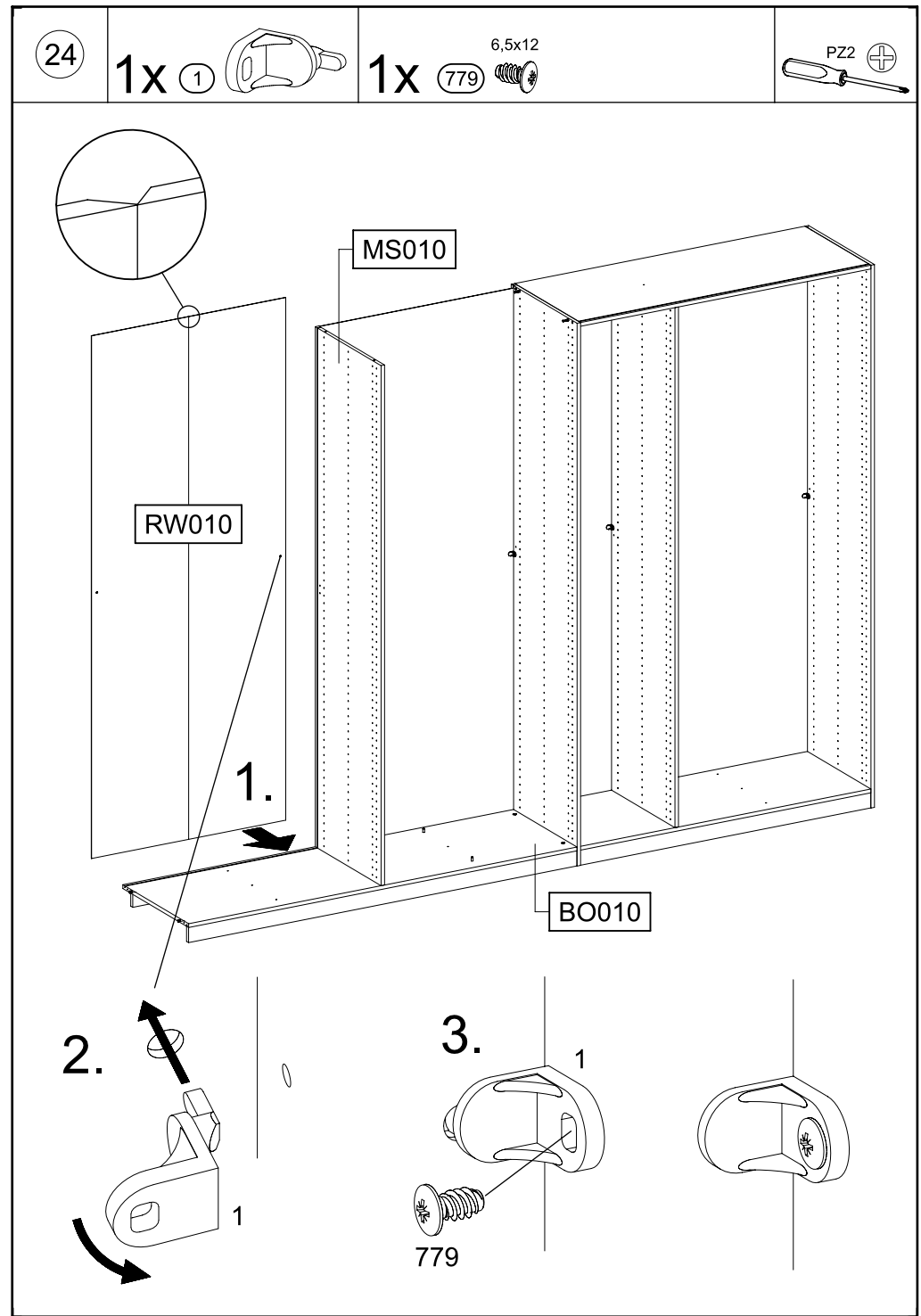
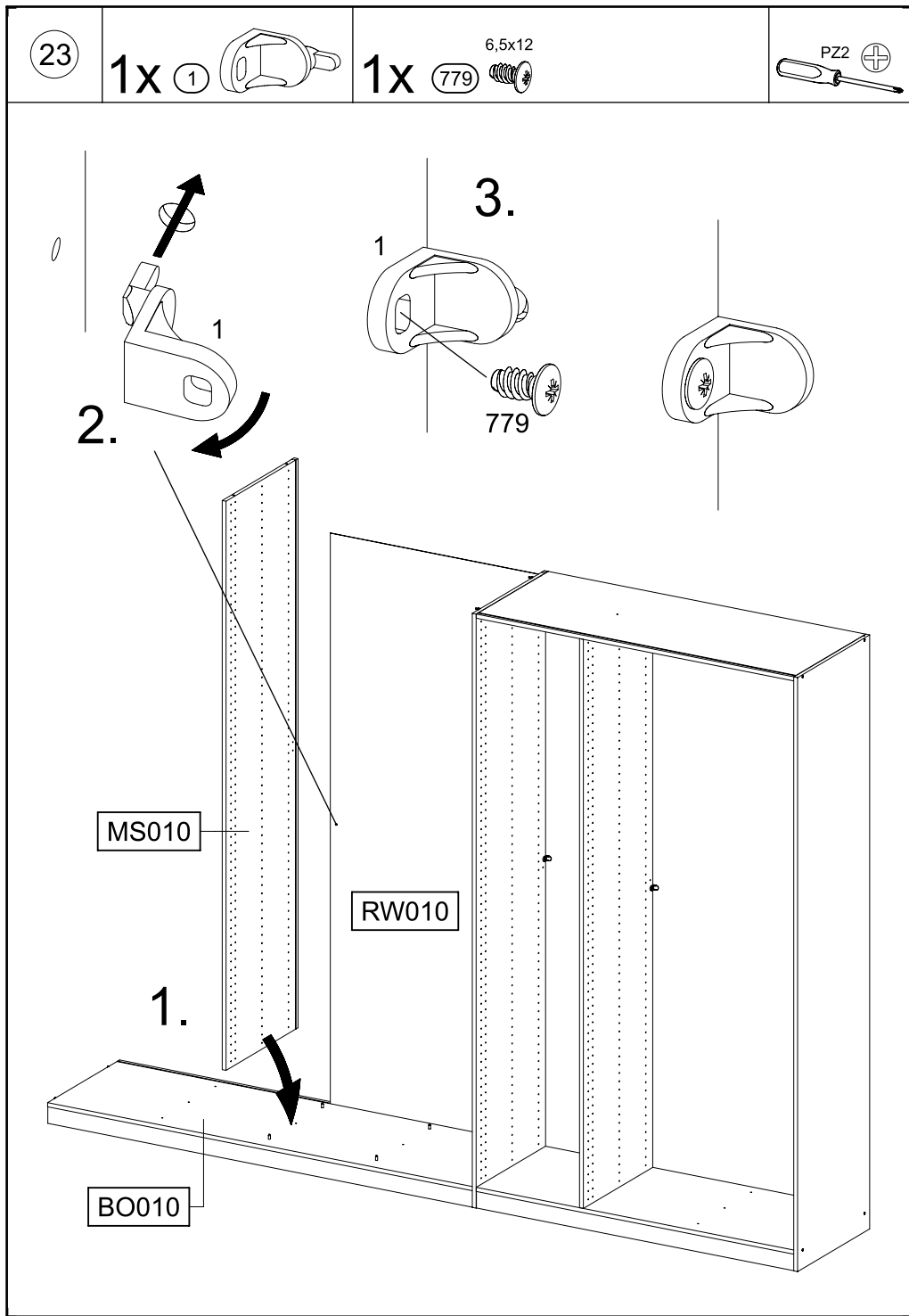
807

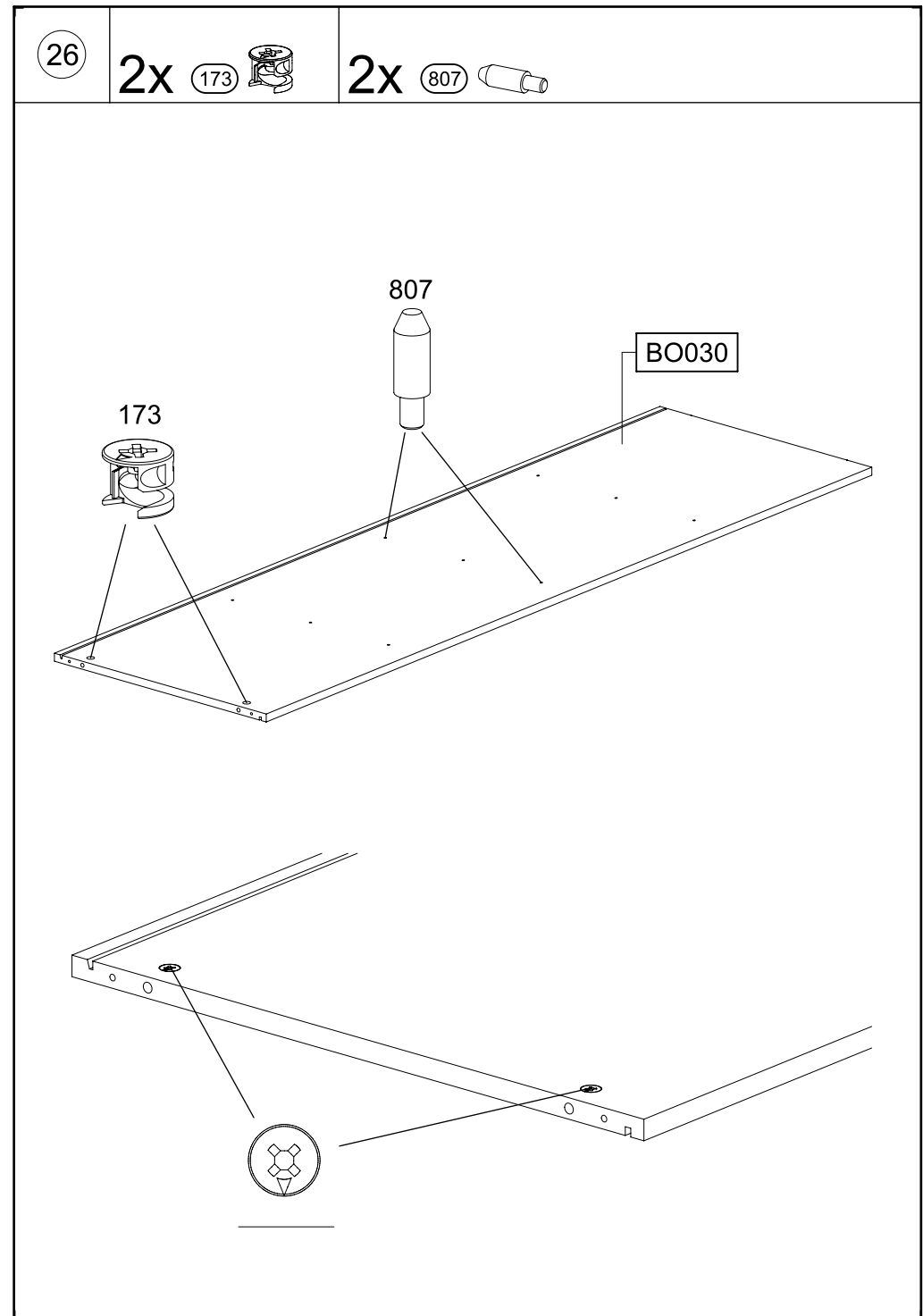
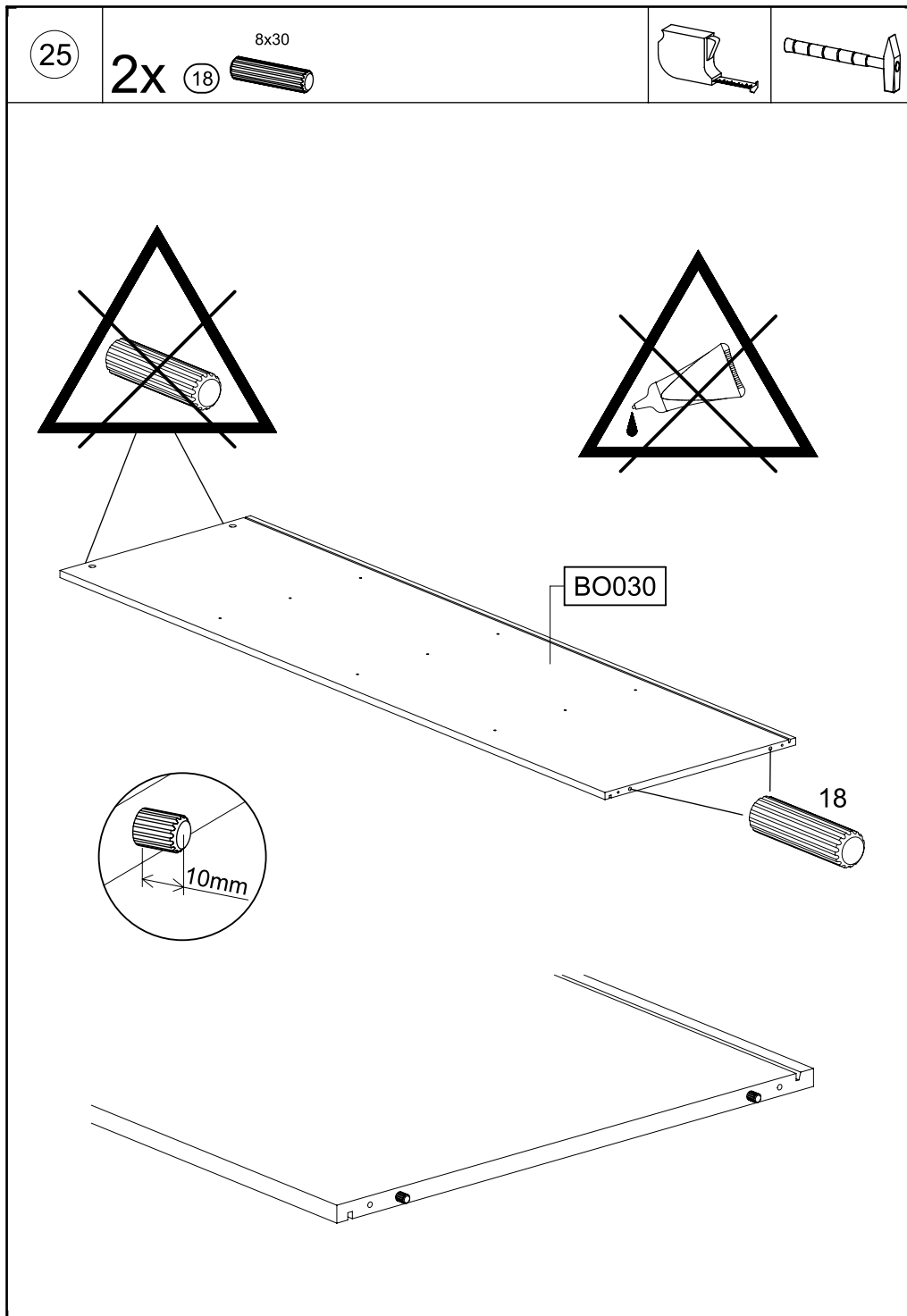


807

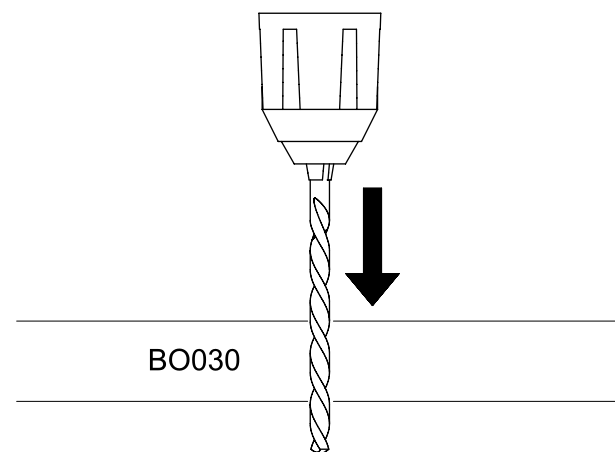
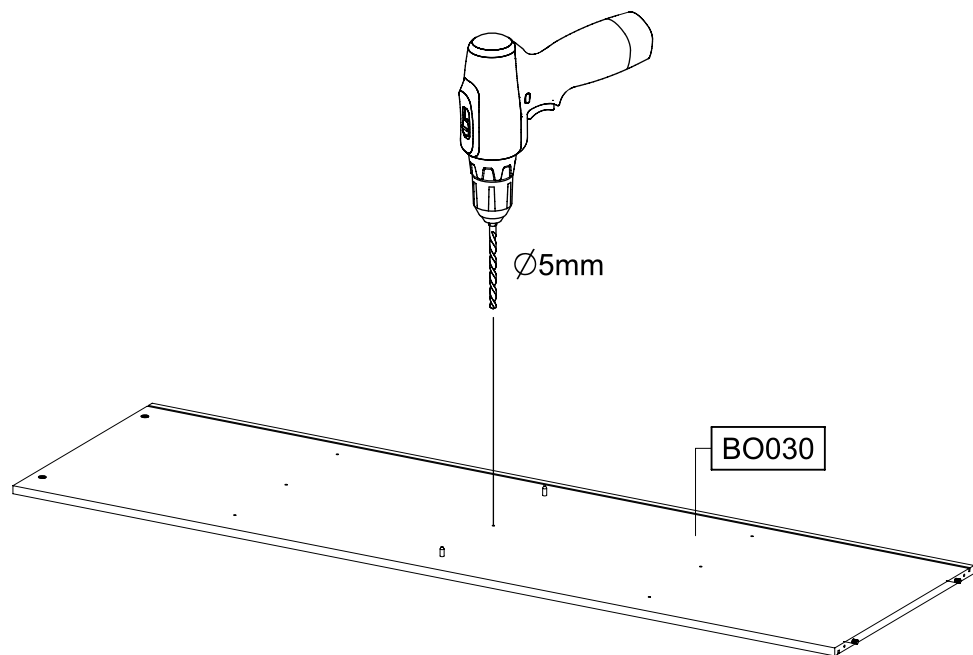
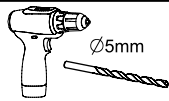
BO010



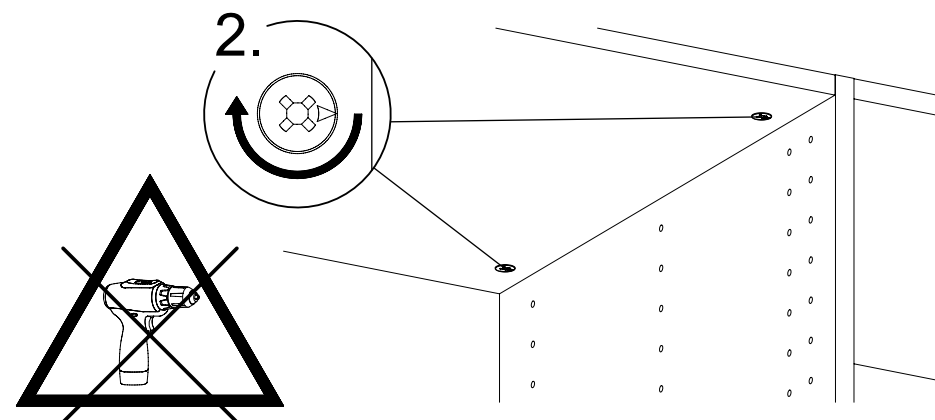
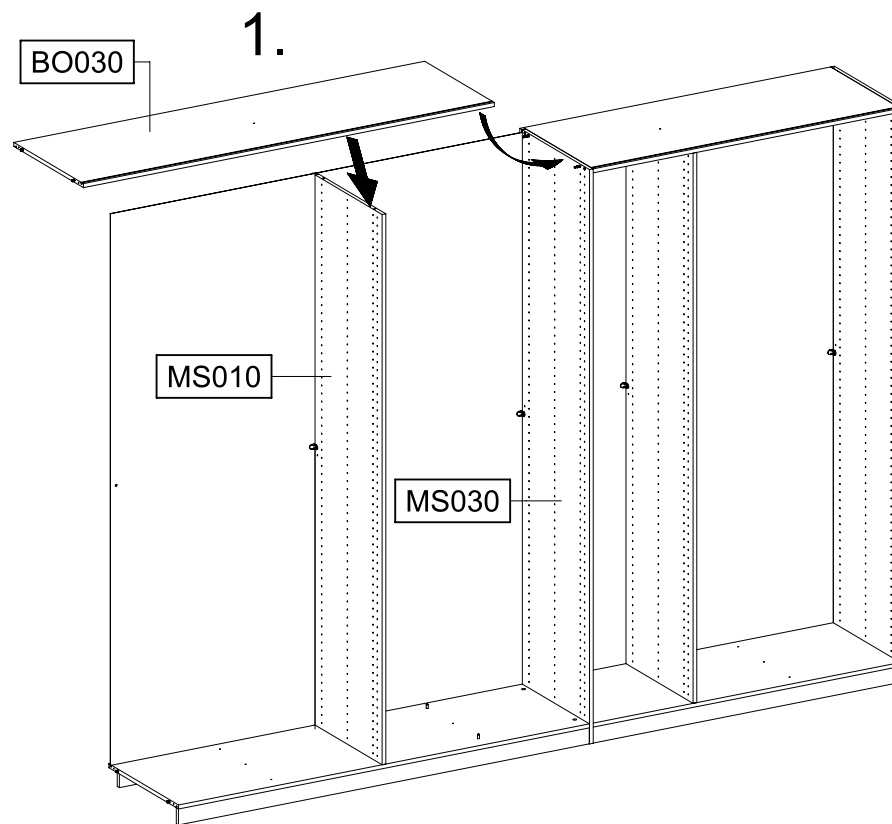
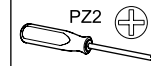


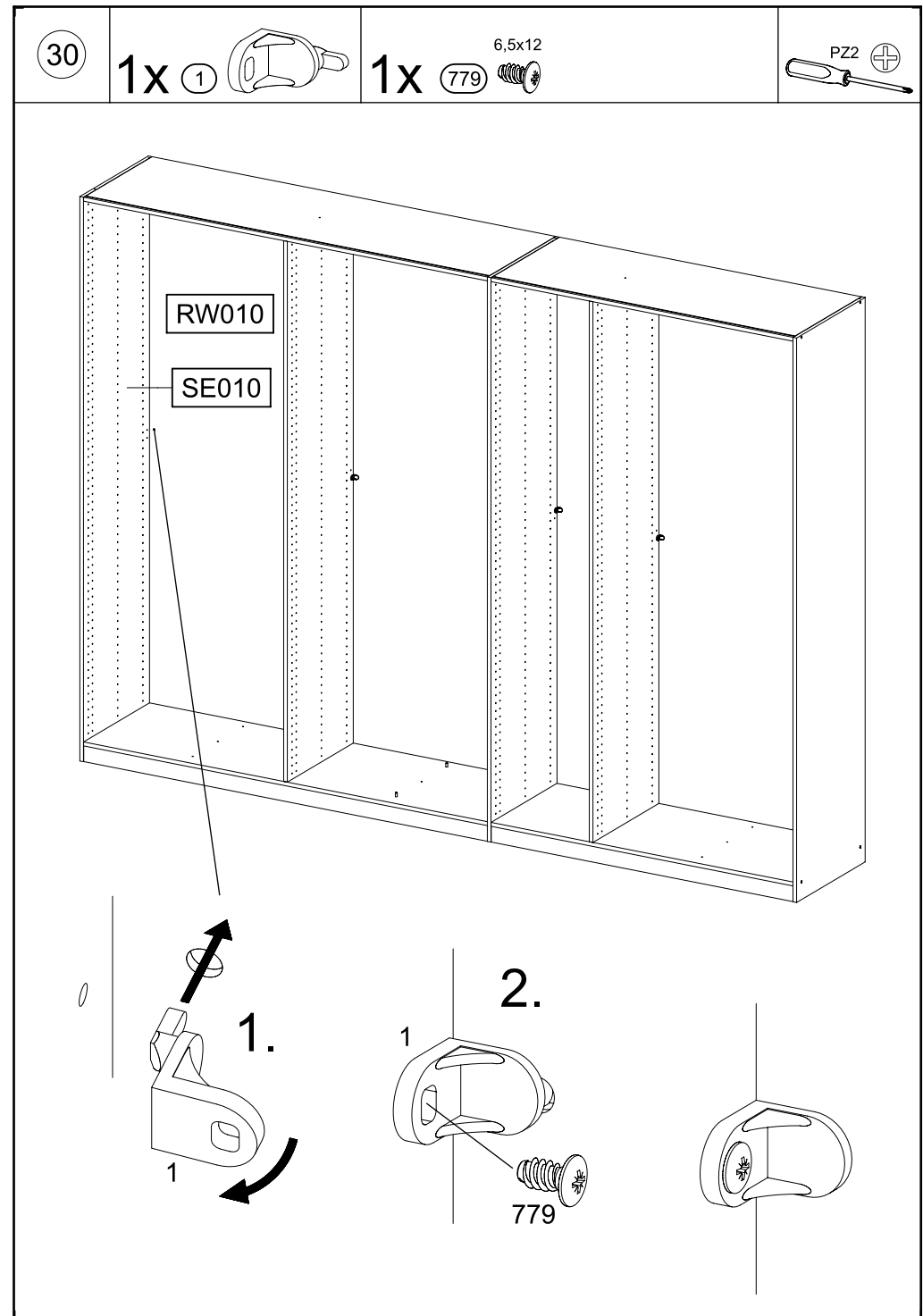
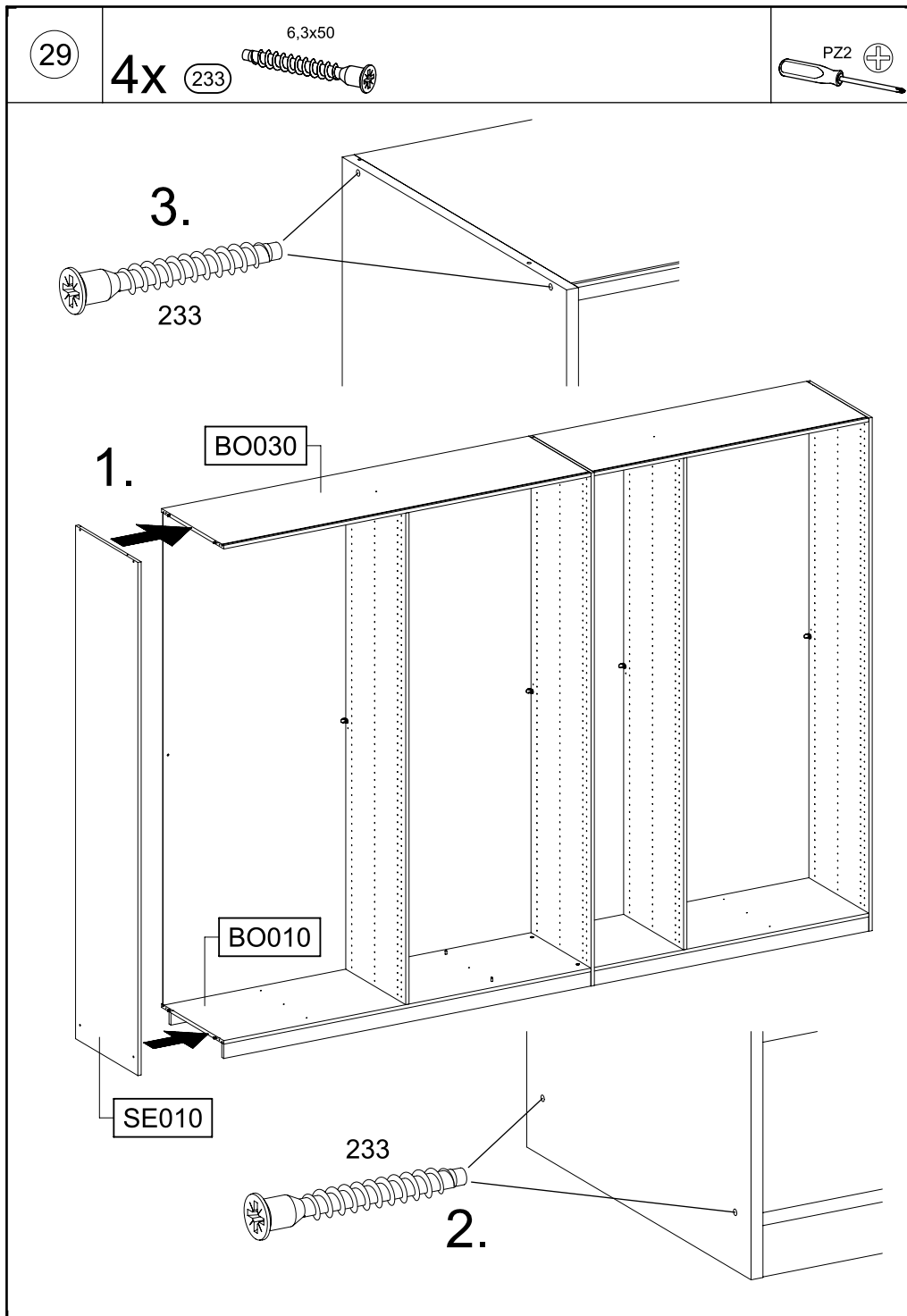


27



28

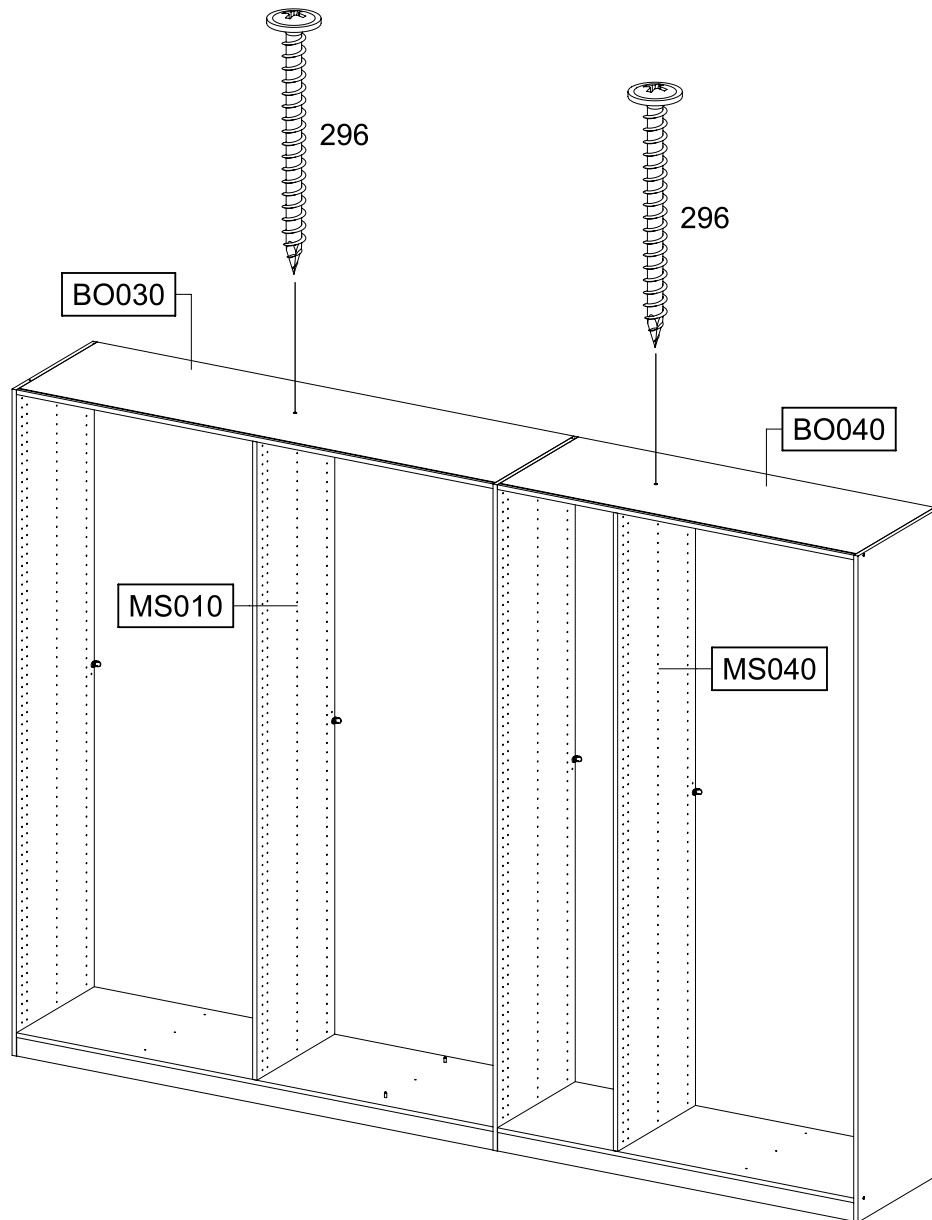
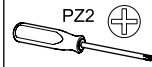




31

2x 296

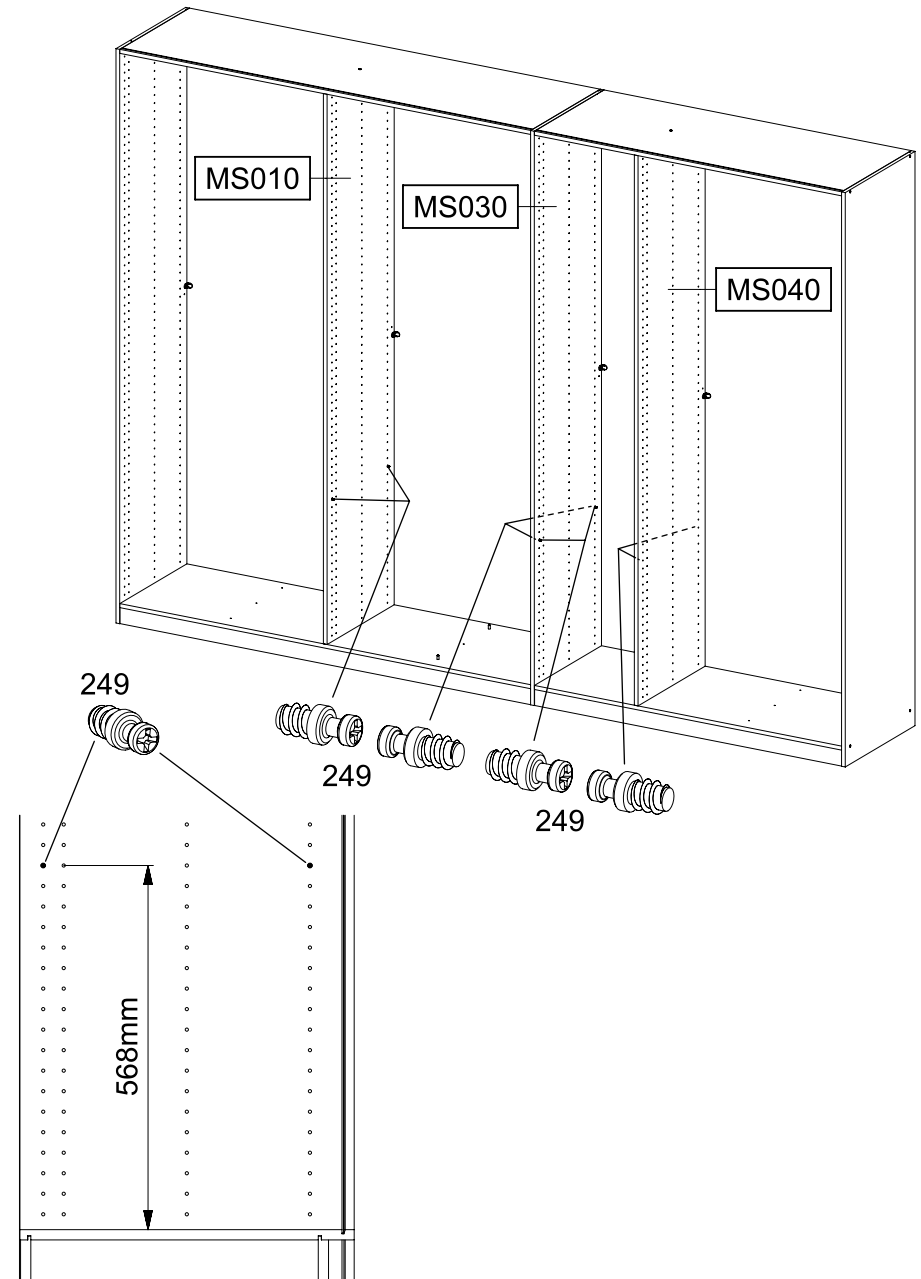
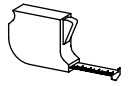
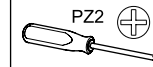
4,5x50

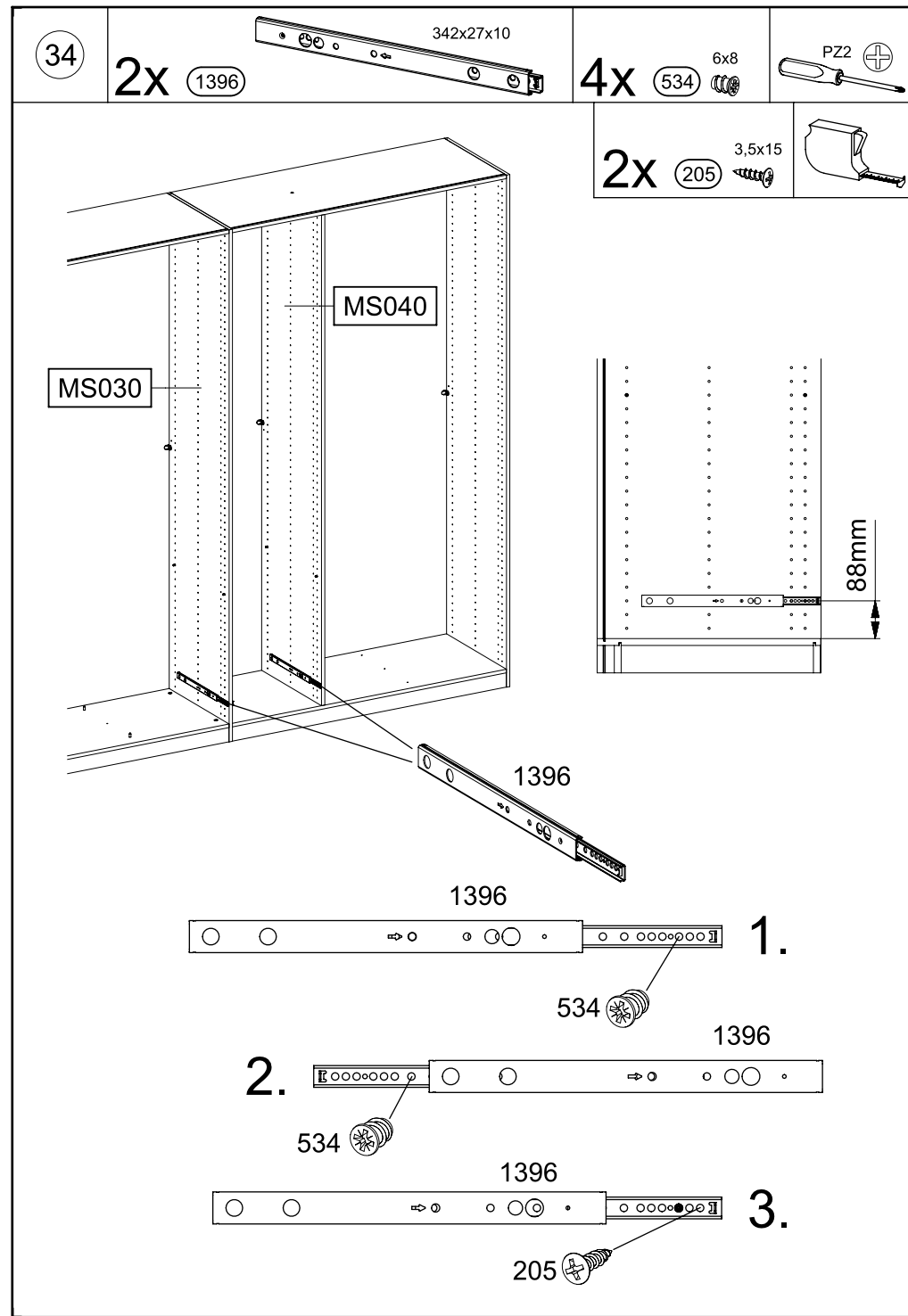
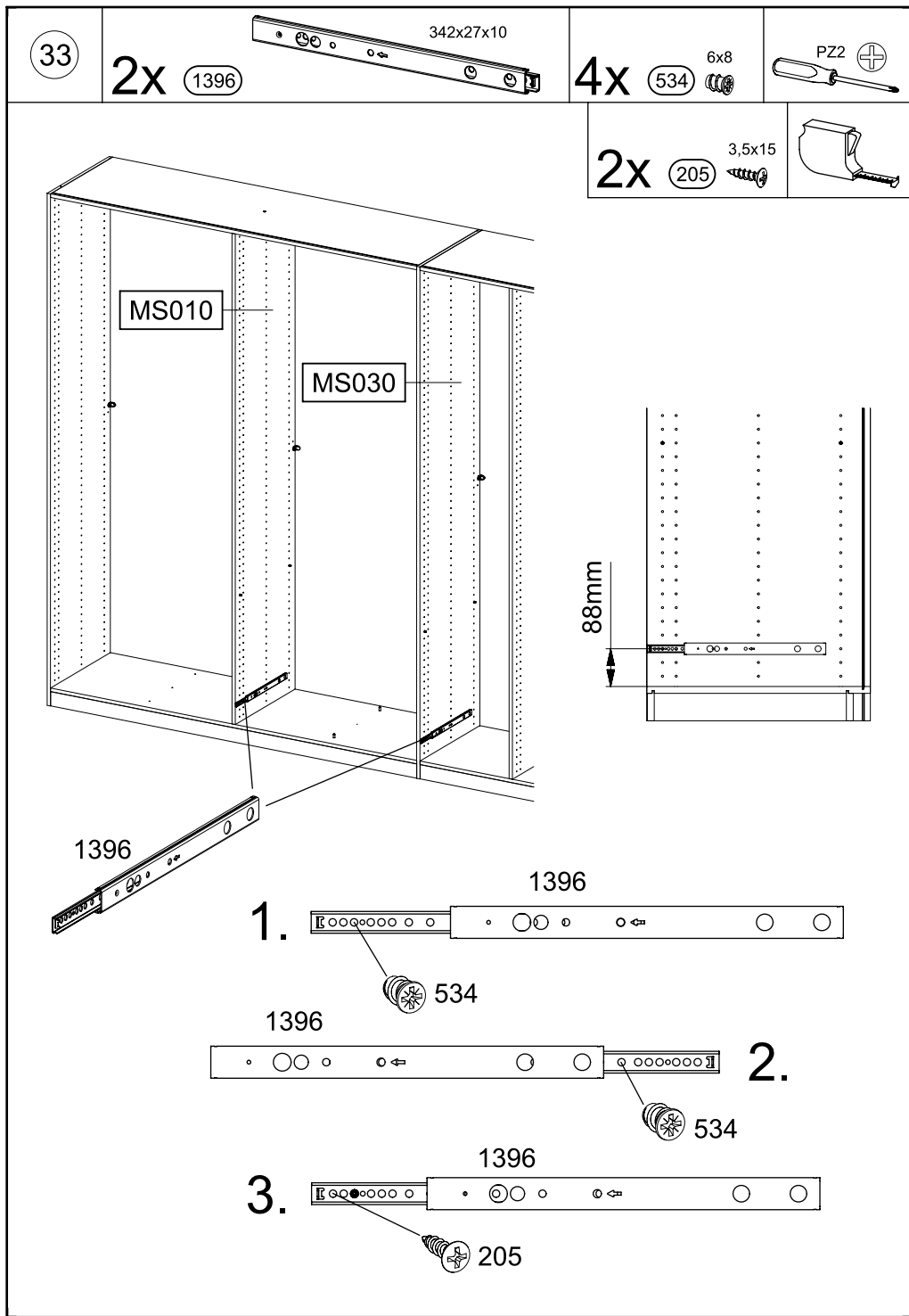


32

8x 249

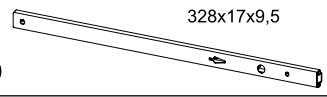
5,0x7,0





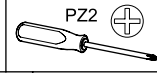
35

2x 251



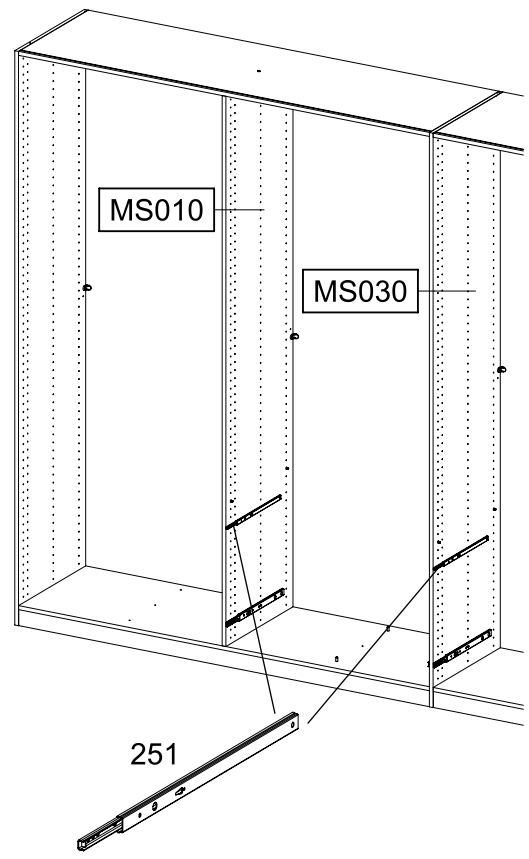
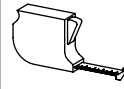
328x17x9,5

4x 534 6x8



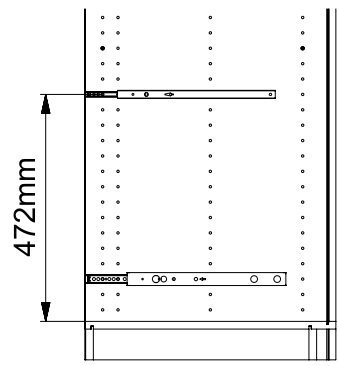
PZ2

2x 205 3,5x15



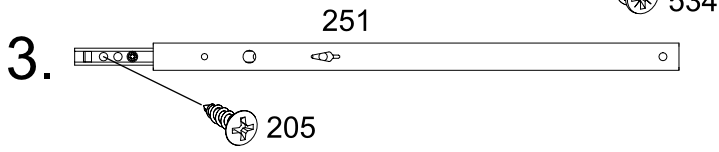
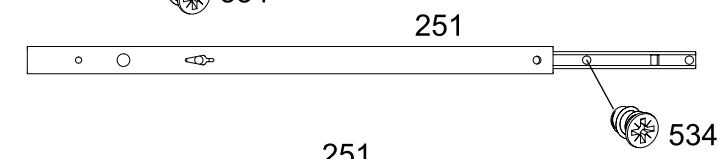
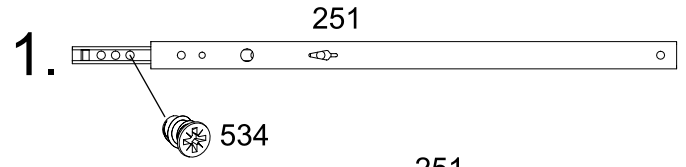
MS010

MS030



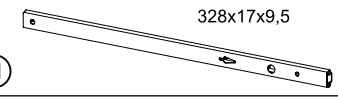
472mm

251



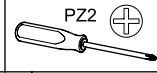
36

2x 251



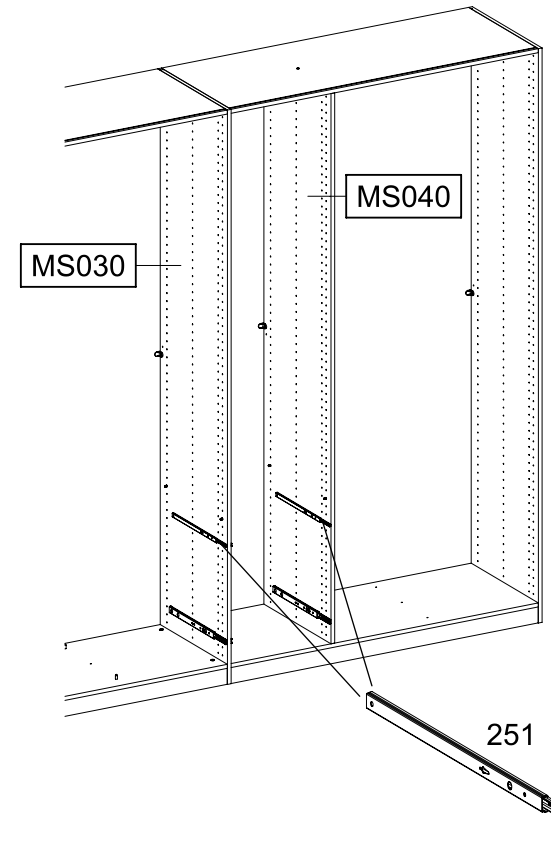
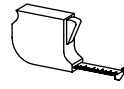
328x17x9,5

4x 534 6x8



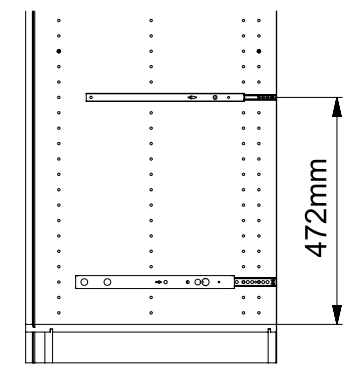
PZ2

2x 205 3,5x15



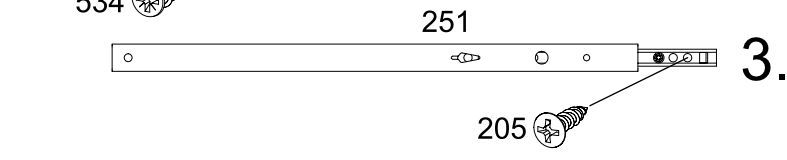
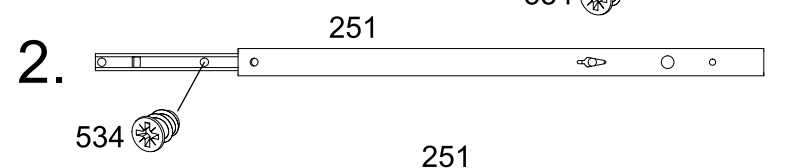
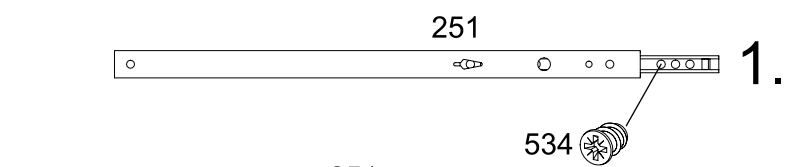
MS030

MS040



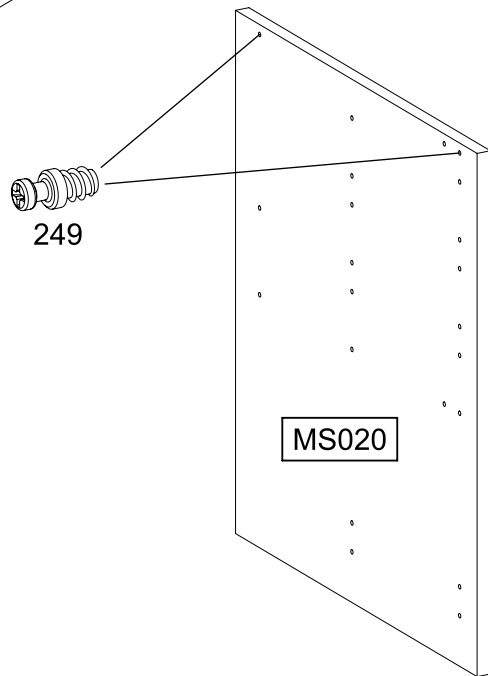
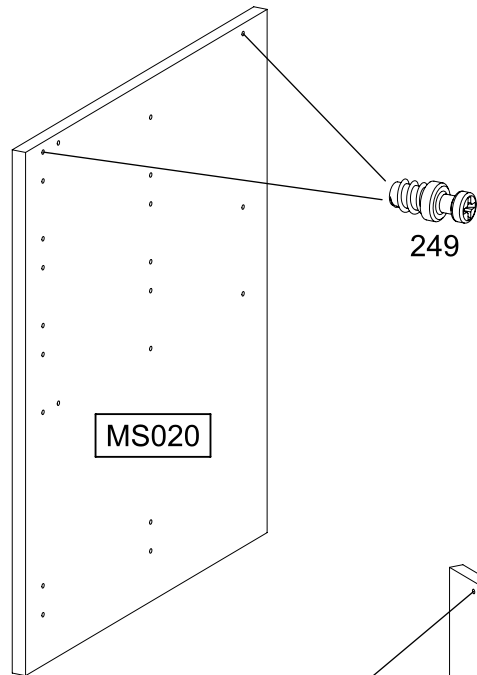
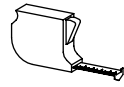
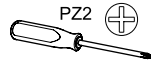
472mm

251



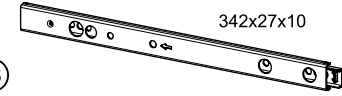
37

4x 249 5,0x7,0

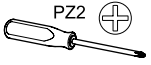


38

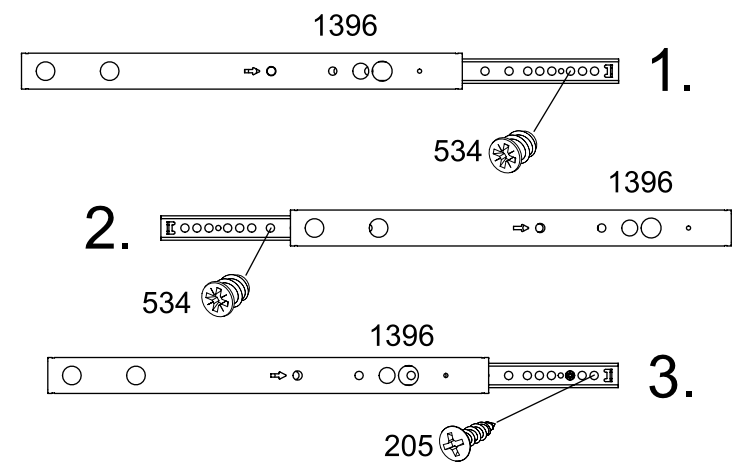
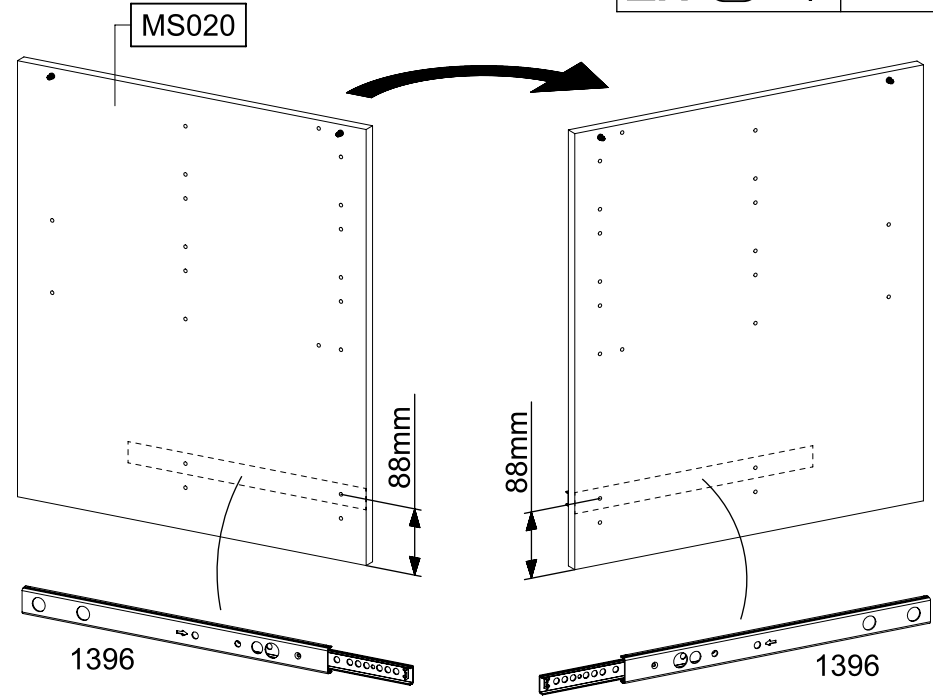
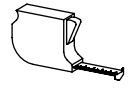
2x 1396



4x 534 6x8

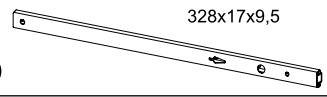


2x 205 3,5x15



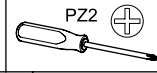
39

2x 251

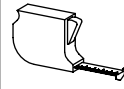
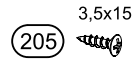


328x17x9,5

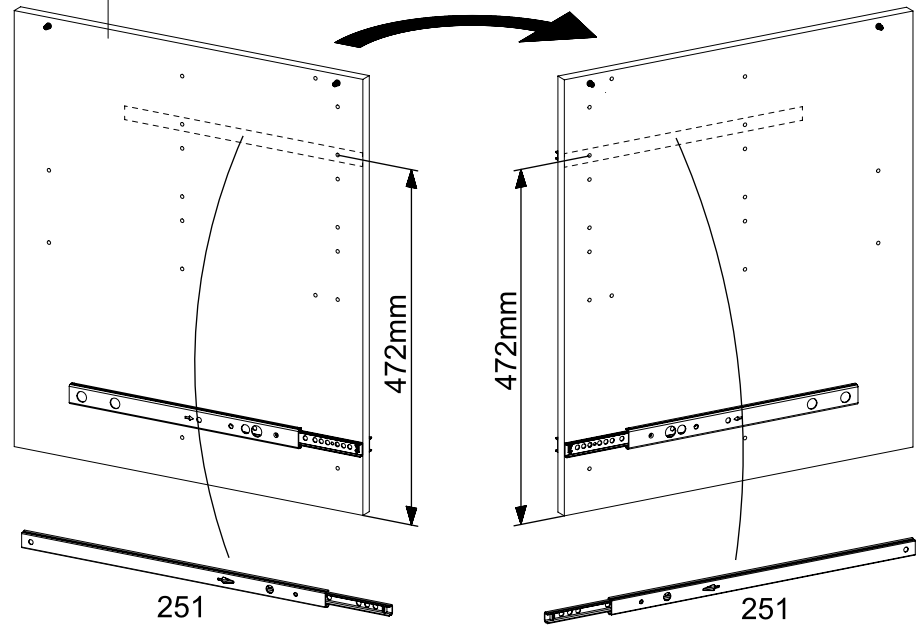
4x 534 6x8



2x 205 3,5x15



MS020



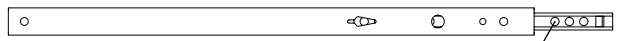
251

472mm

472mm

251

251



1.

534

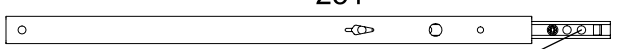
251



2.

534

251

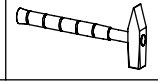


3.

205

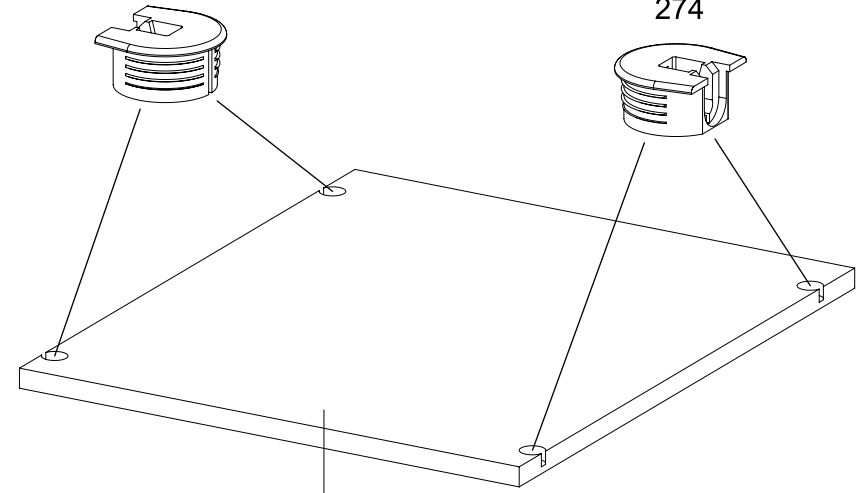
40

12x 274



274

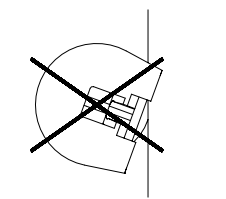
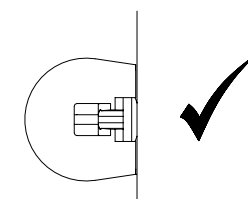
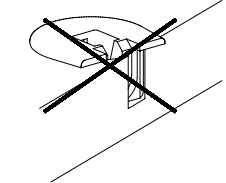
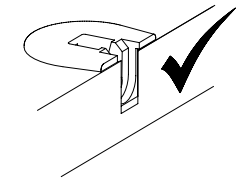
274



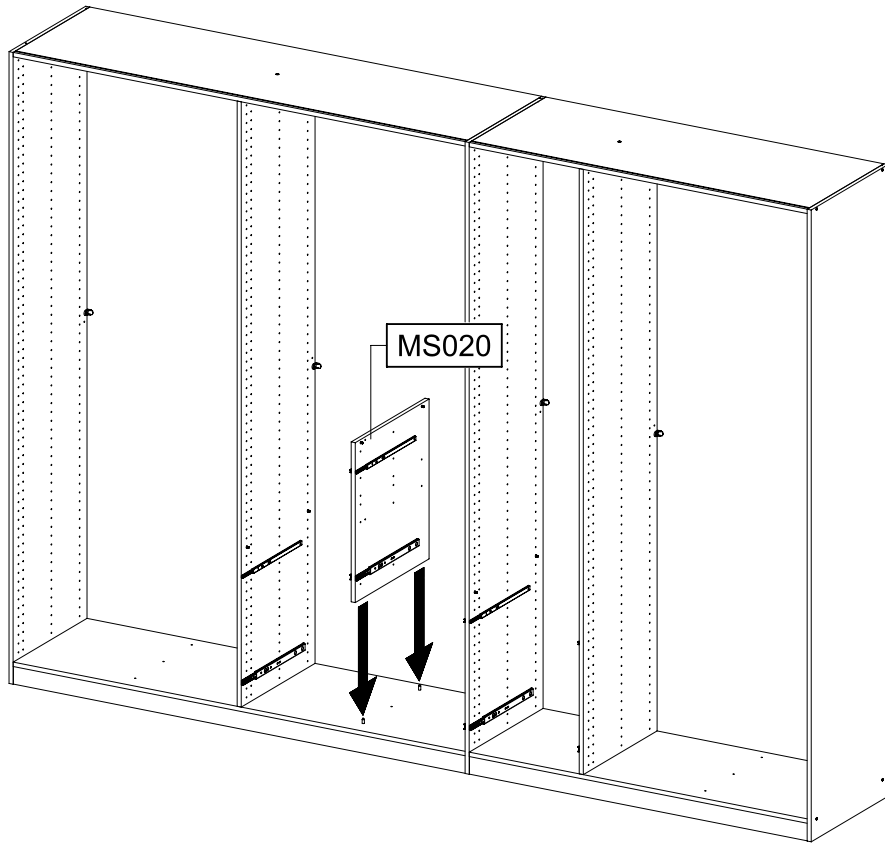
KO010

KO020

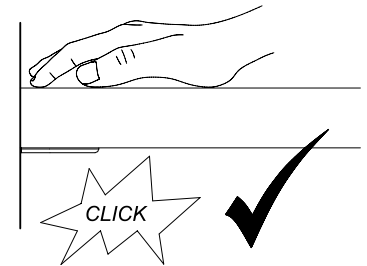
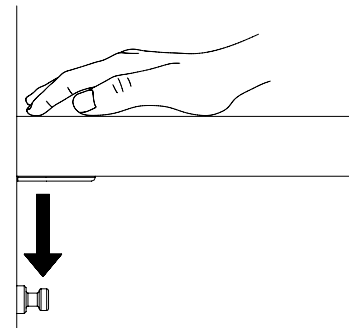
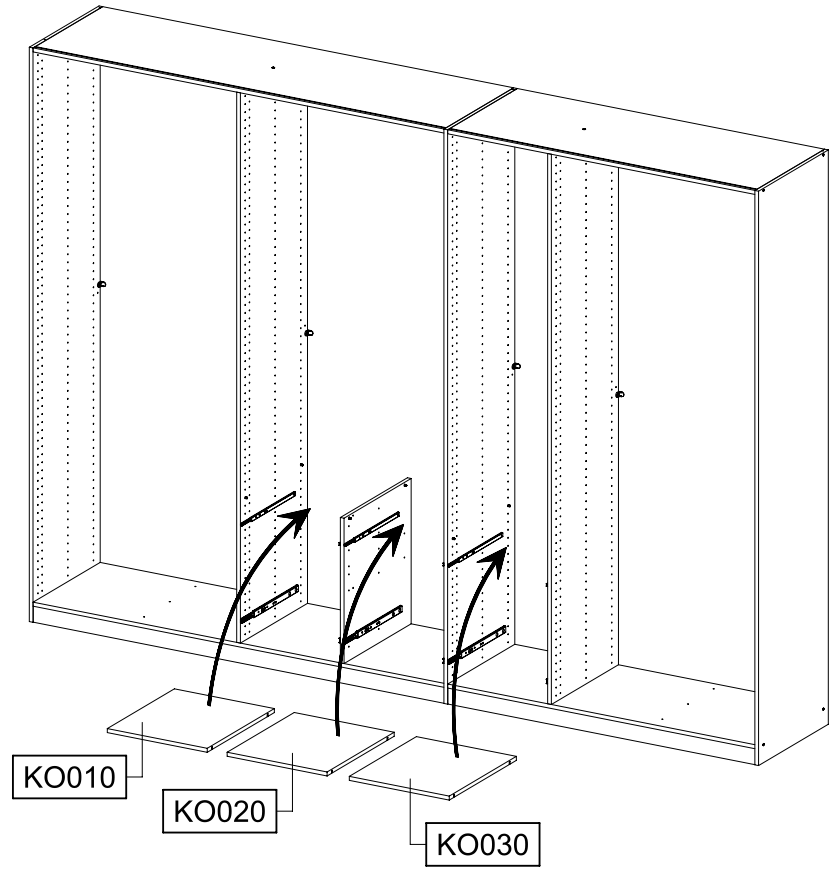
KO030



41



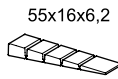
42



43

0-4x

12



55x16x6,2

4x

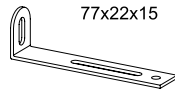
201



4x15

2x

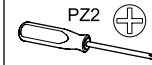
68



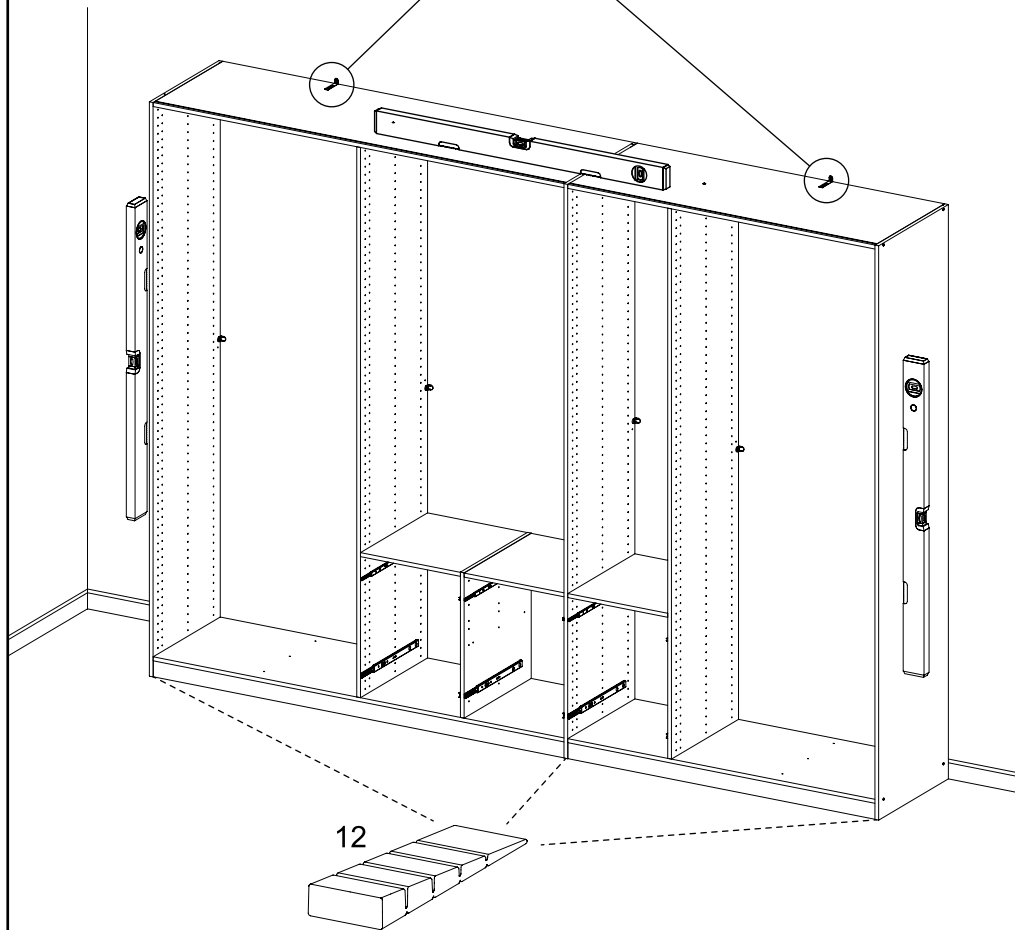
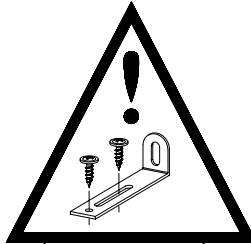
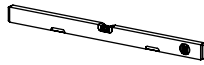
77x22x15



SCAN ME



PZ2



12

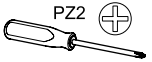
44

6x

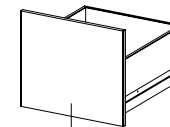
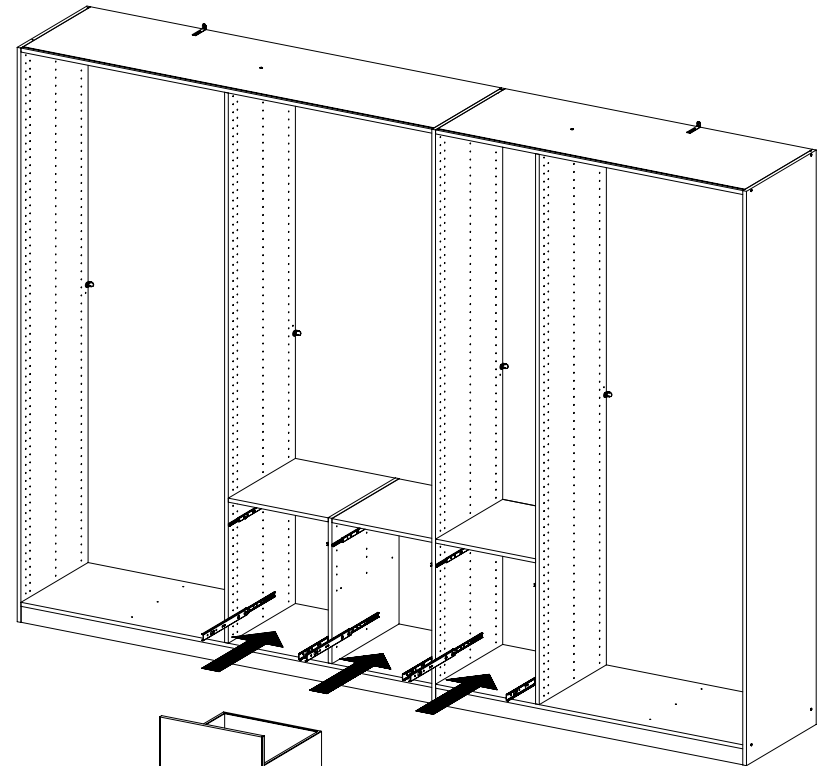
568



M4x9



PZ2



SK010  
SK020  
SK030

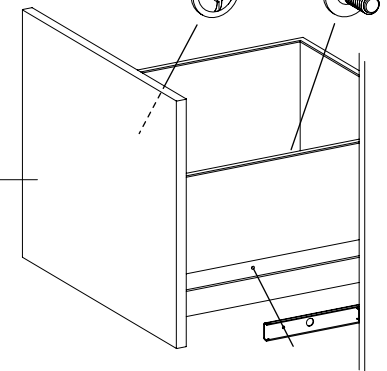
568



568



SK010  
SK020  
SK030



45

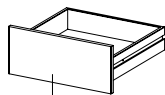
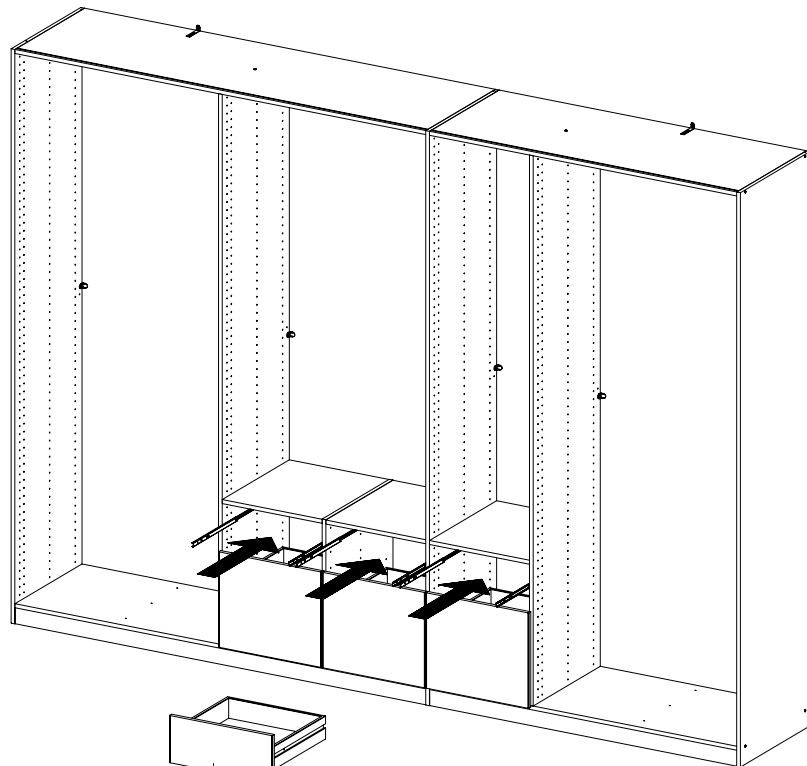
6x

568

M4x9



PZ2



SK040

SK050

SK060

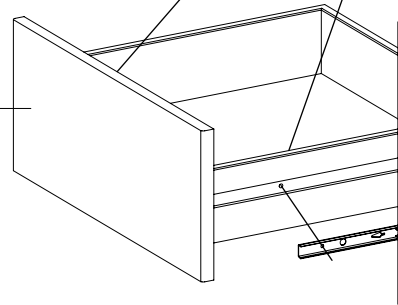
568



568



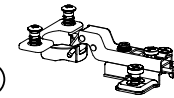
SK040  
SK050  
SK060



46

16x

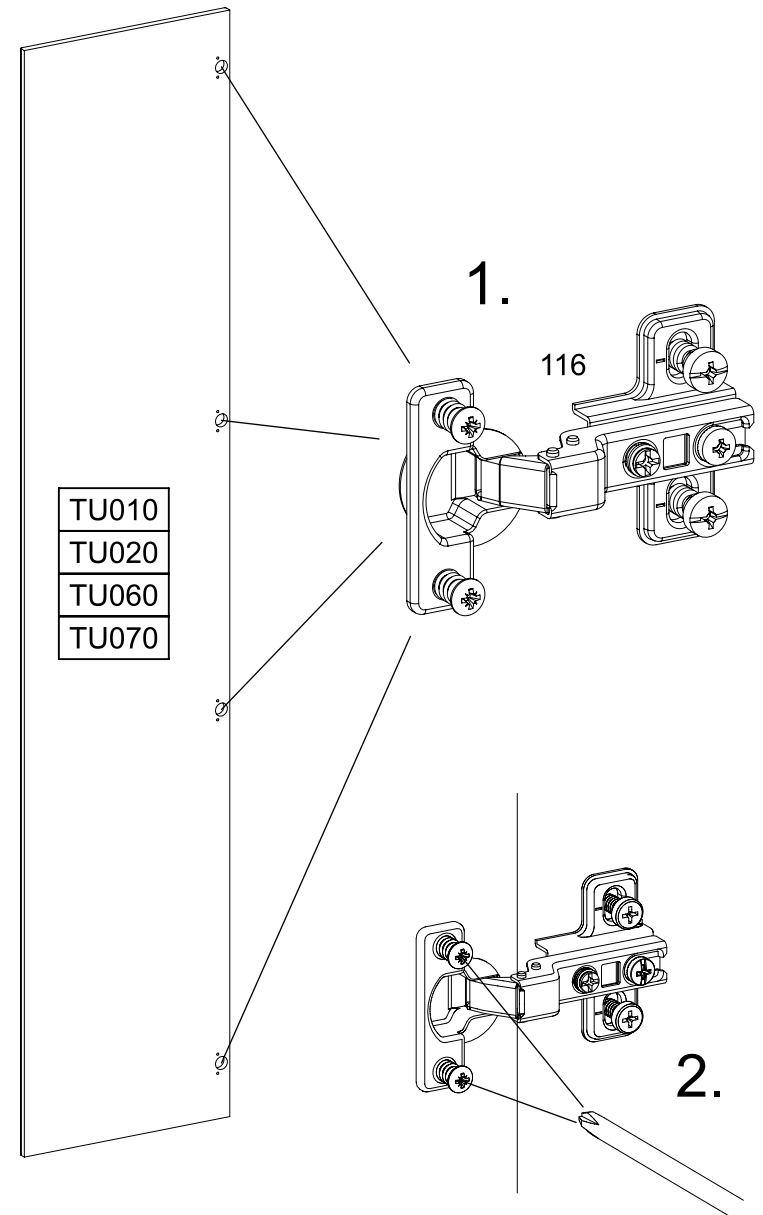
116



PZ2

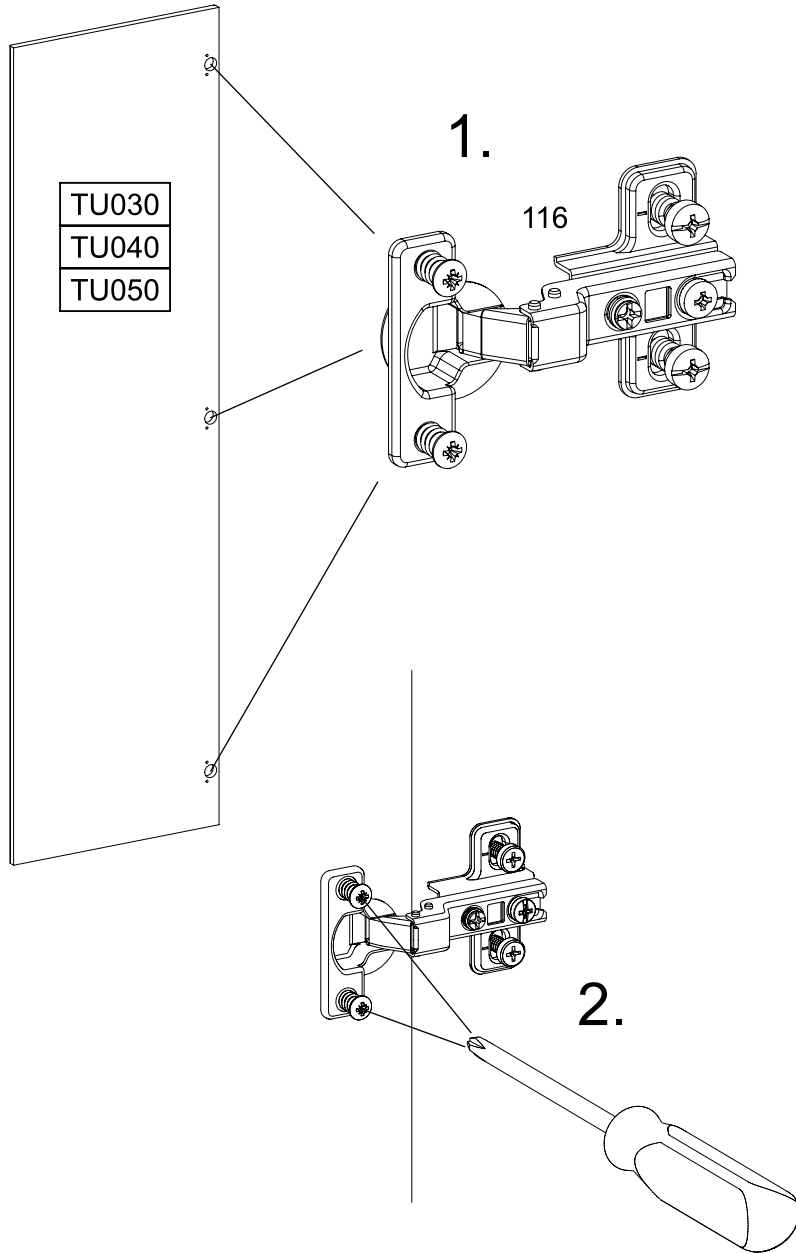
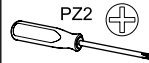
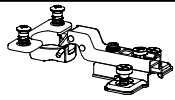


SCAN ME

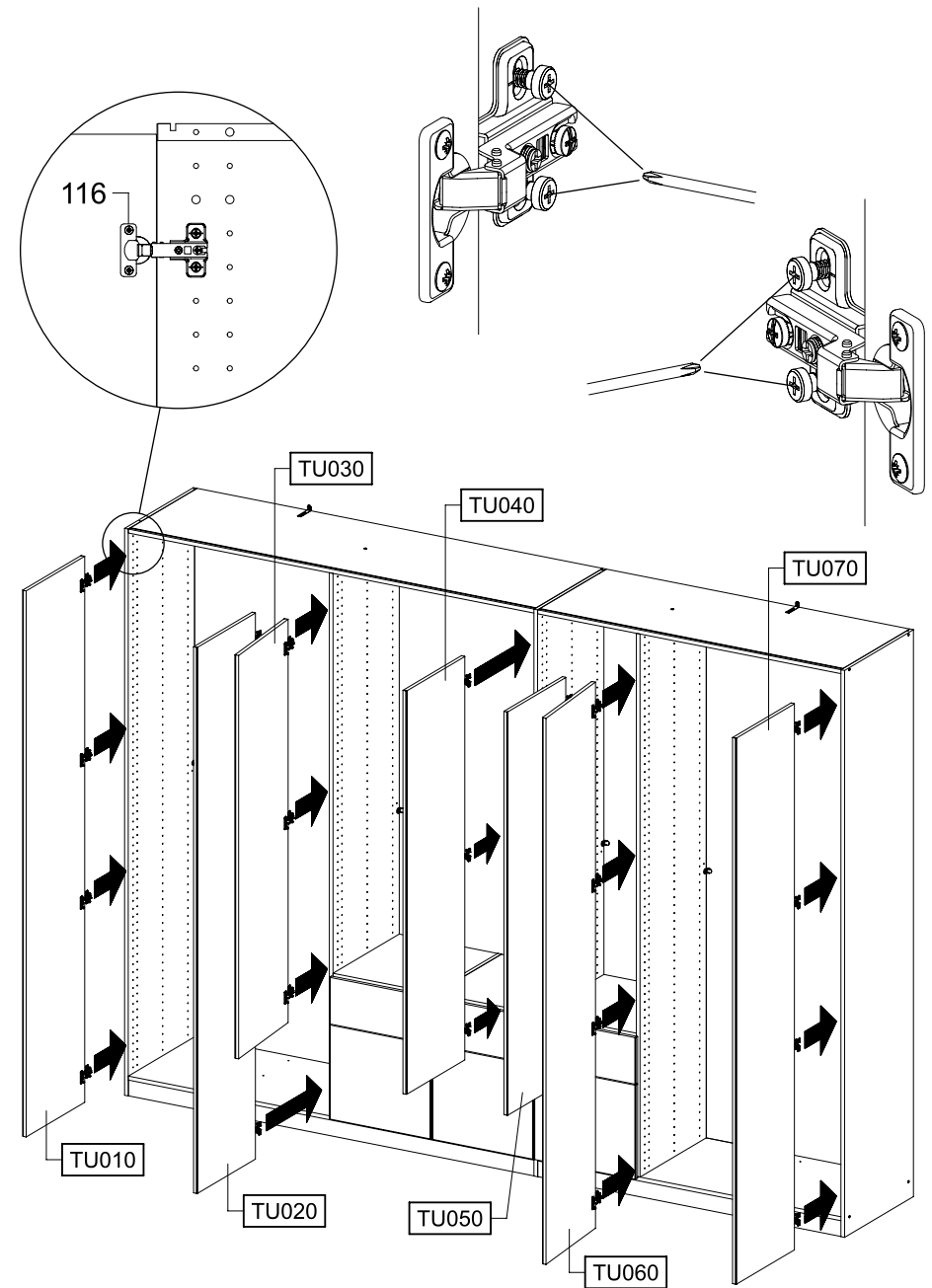
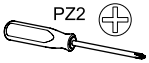


47

9x 116

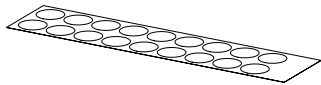


48

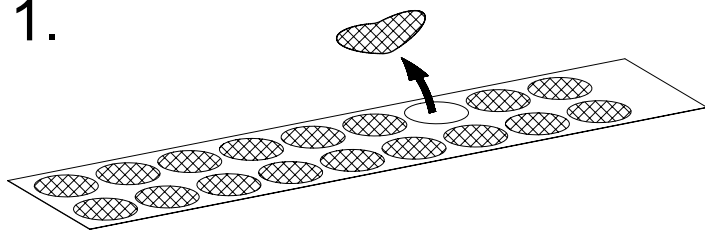


49

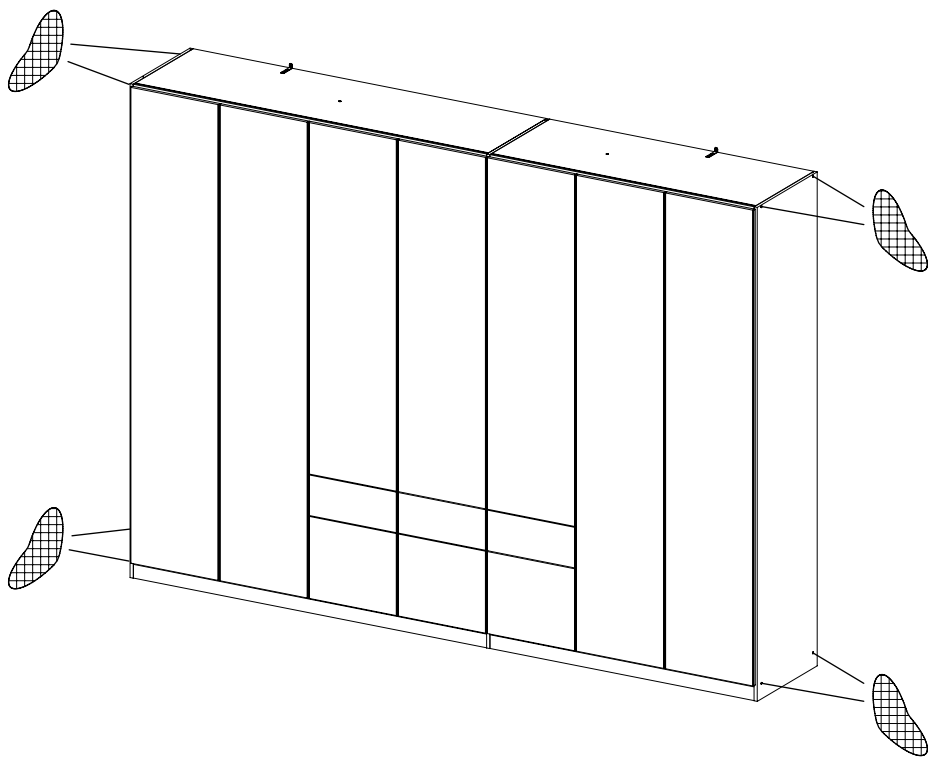
1x RE010



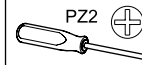
1.



2.



50



SCAN ME

