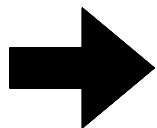
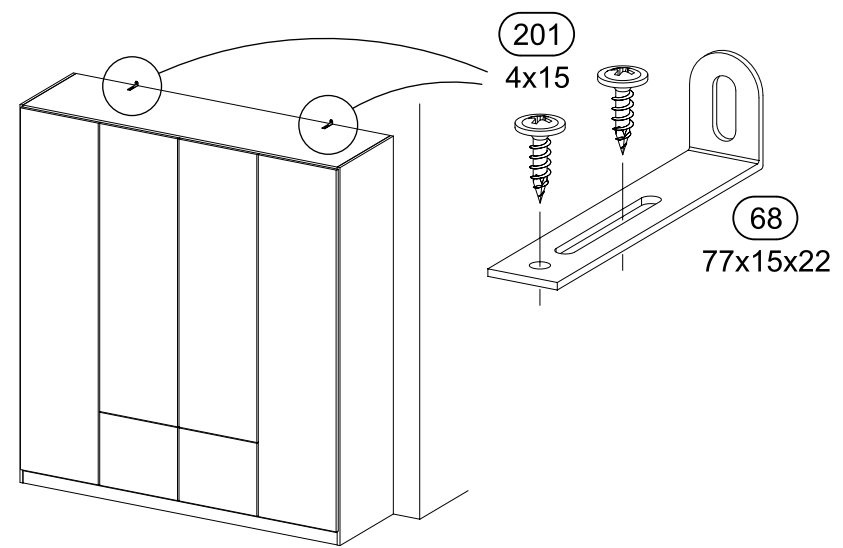
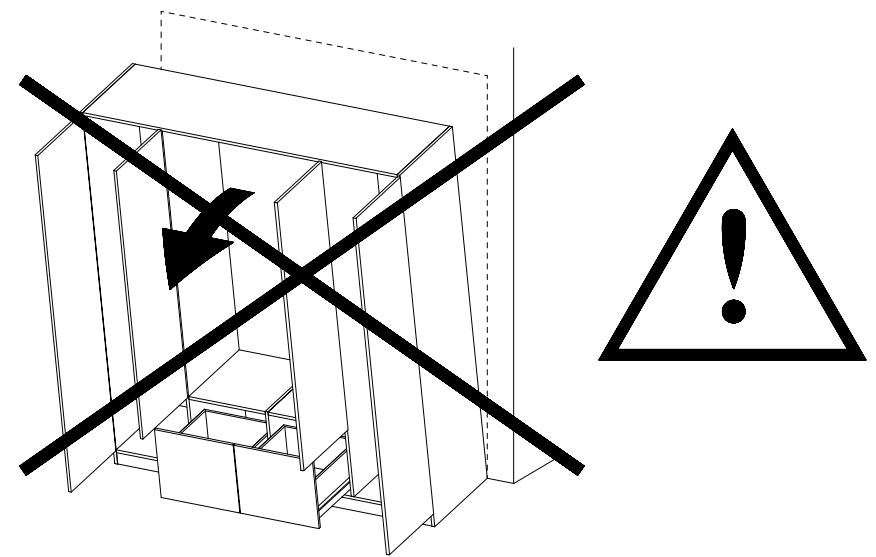
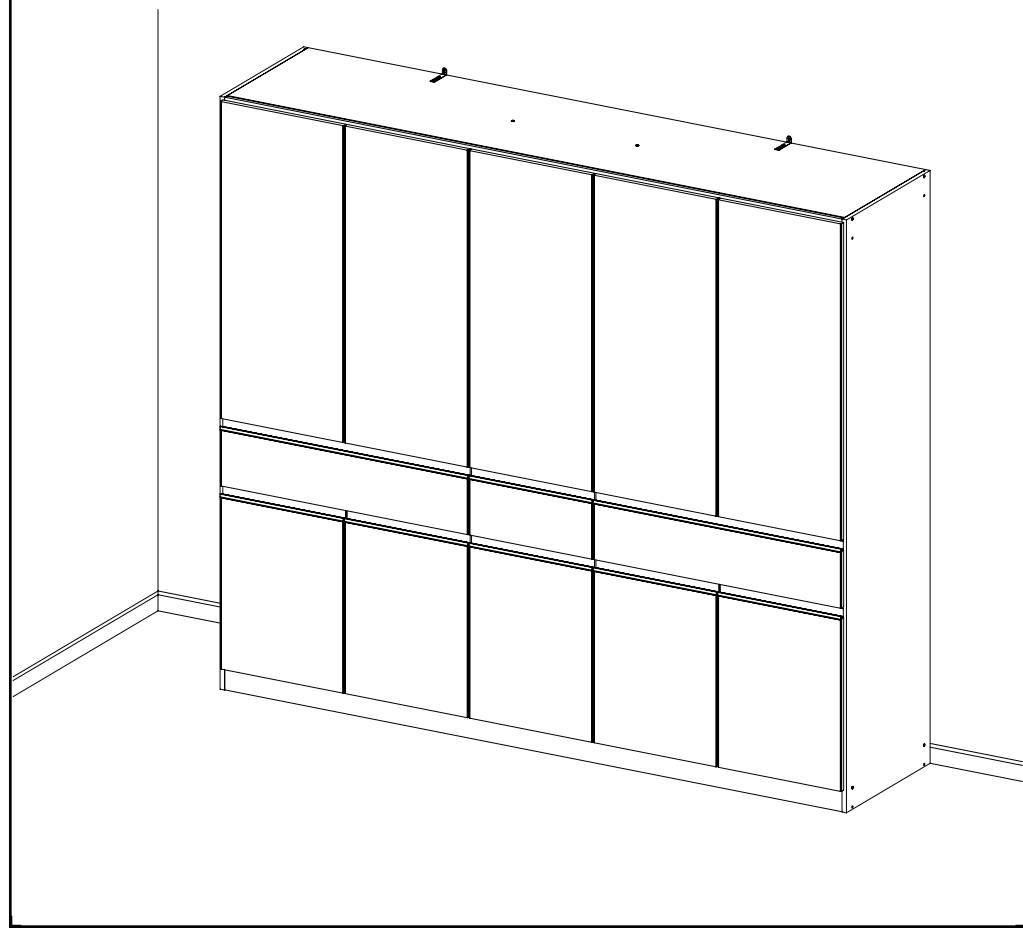
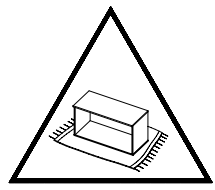
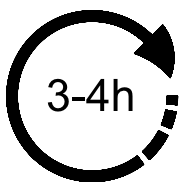
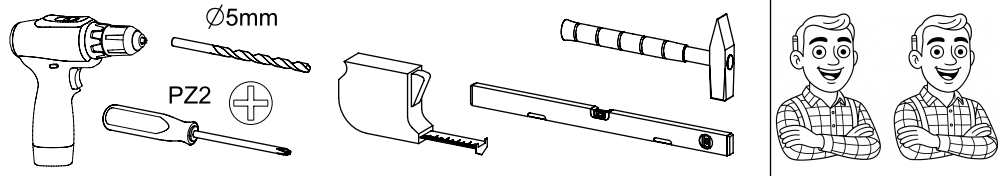
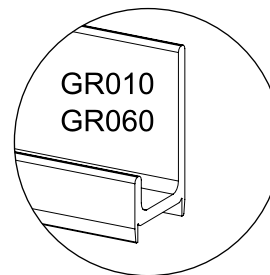
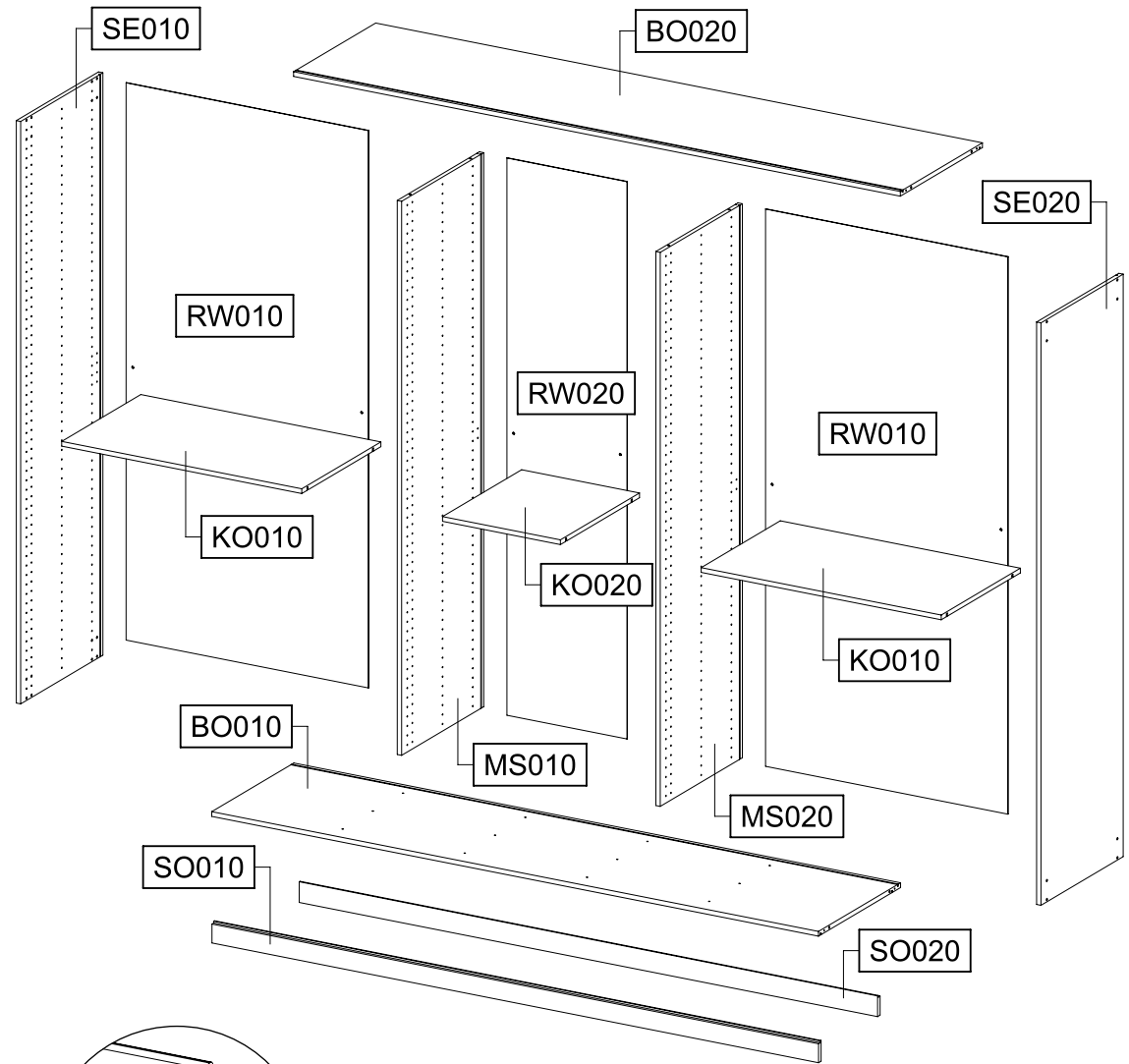
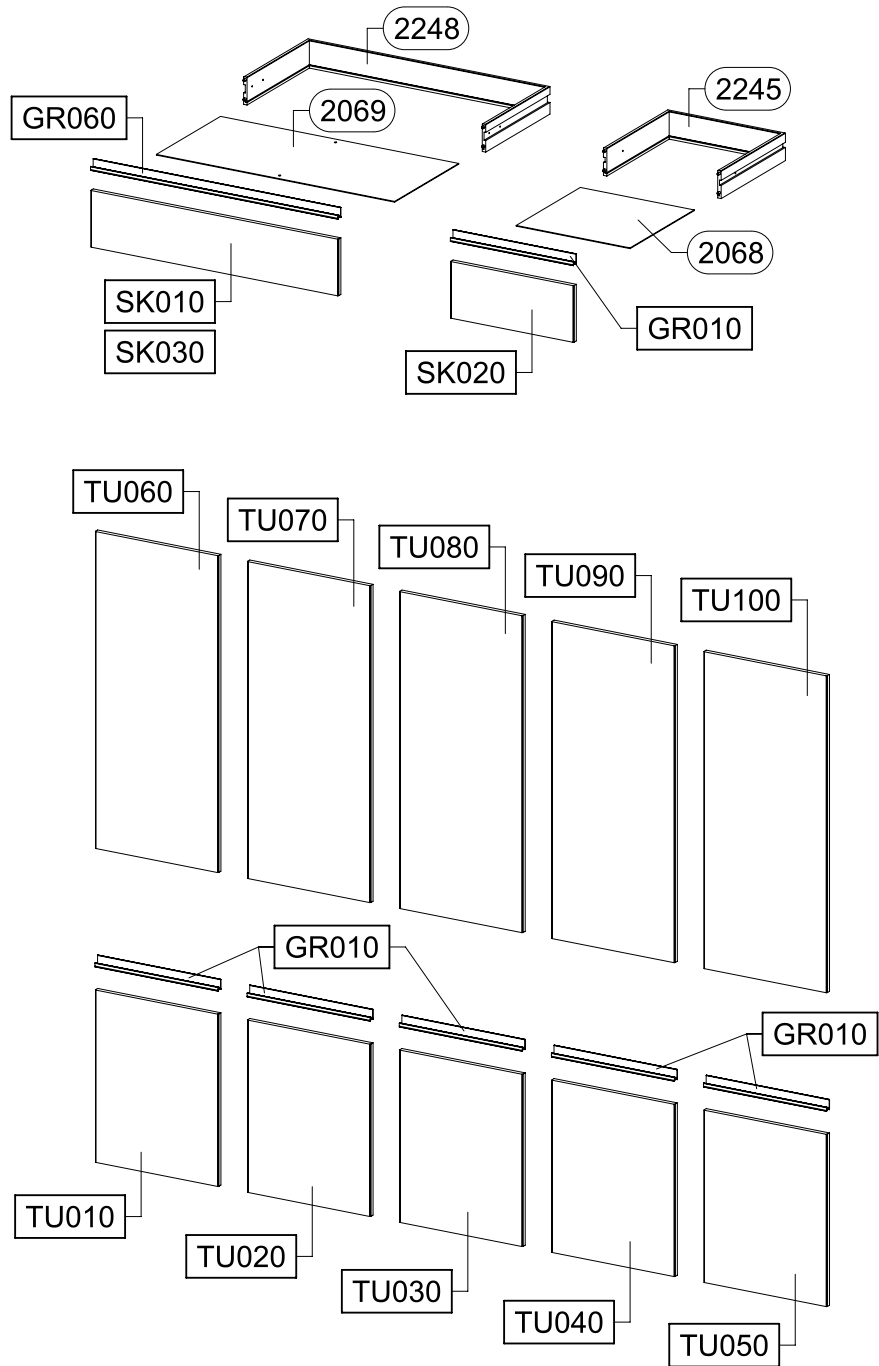
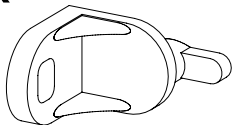
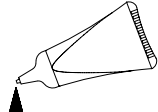
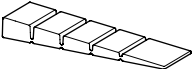

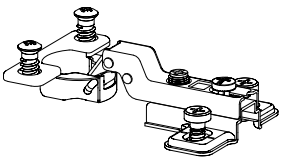
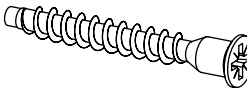
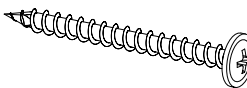

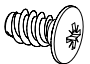


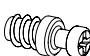
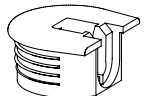
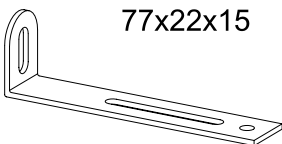
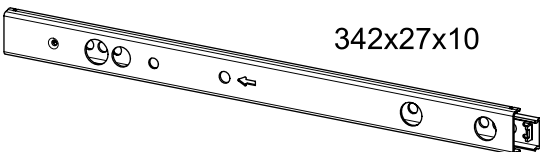

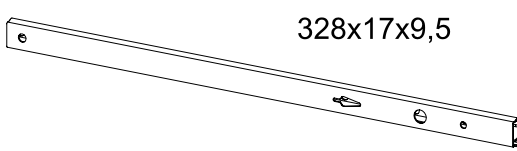

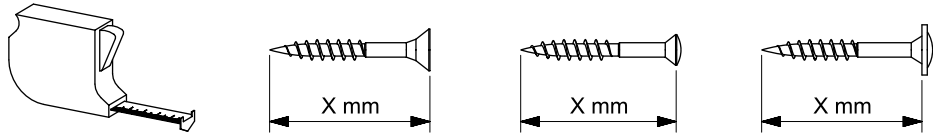


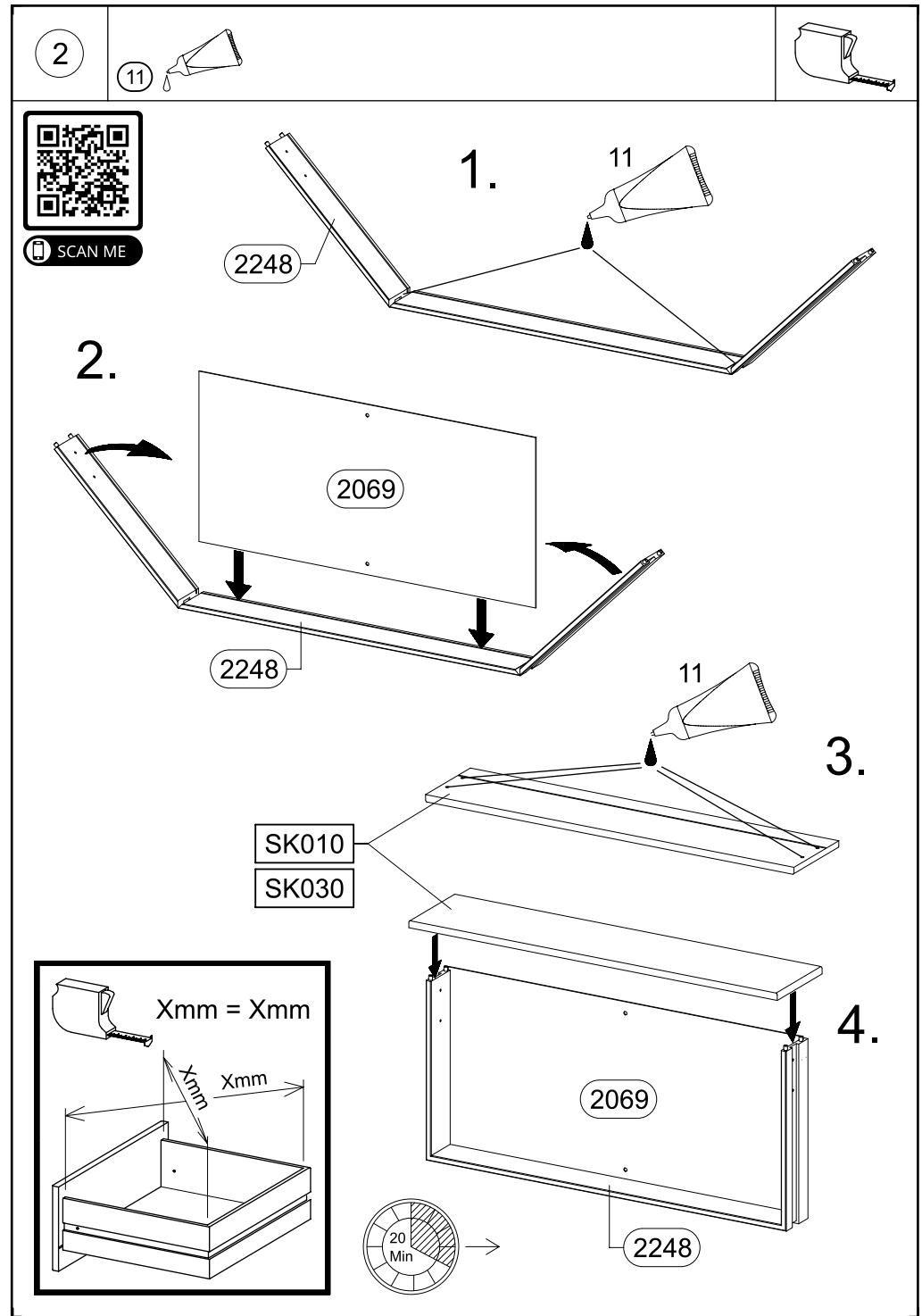
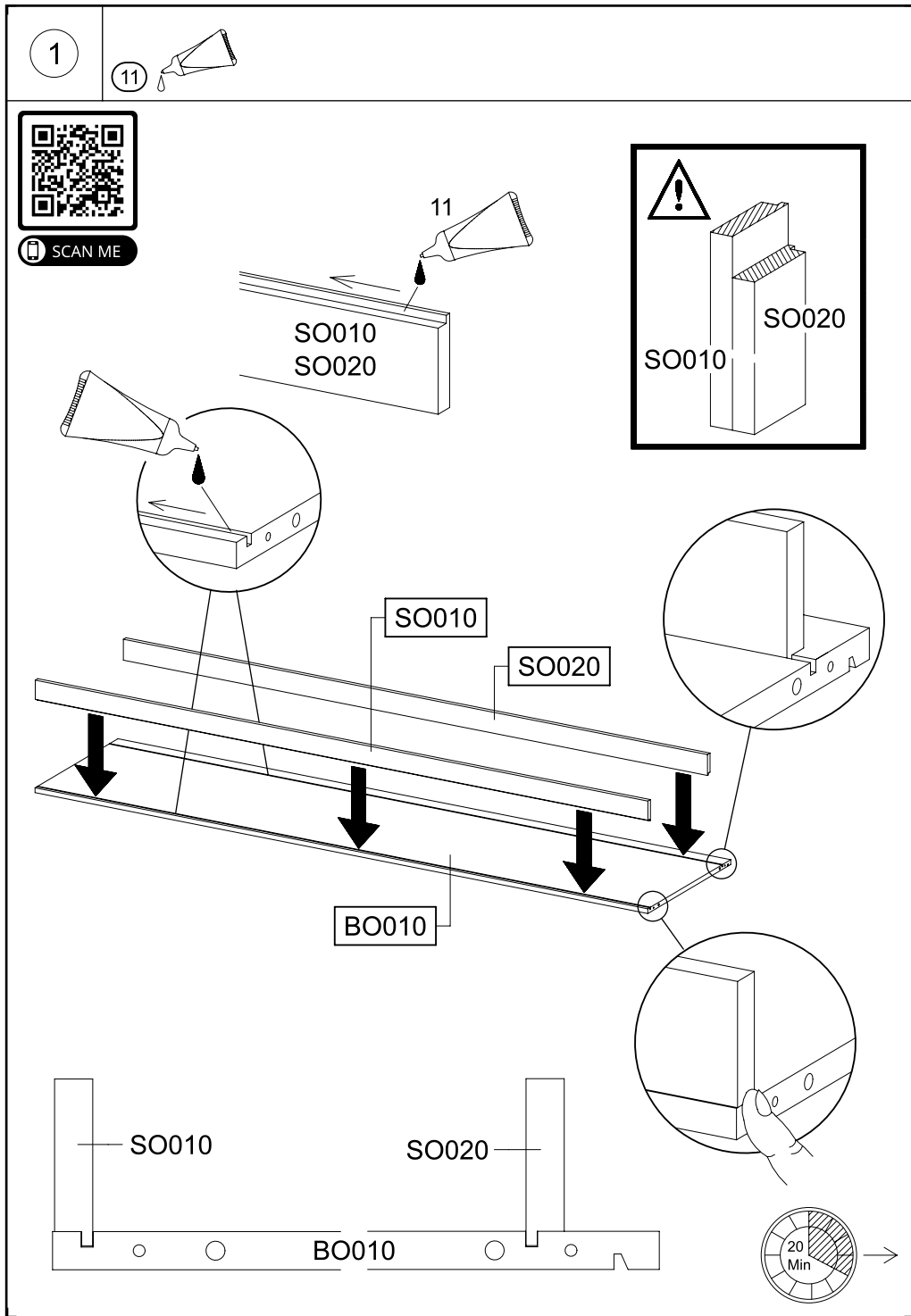
# M3220\_01

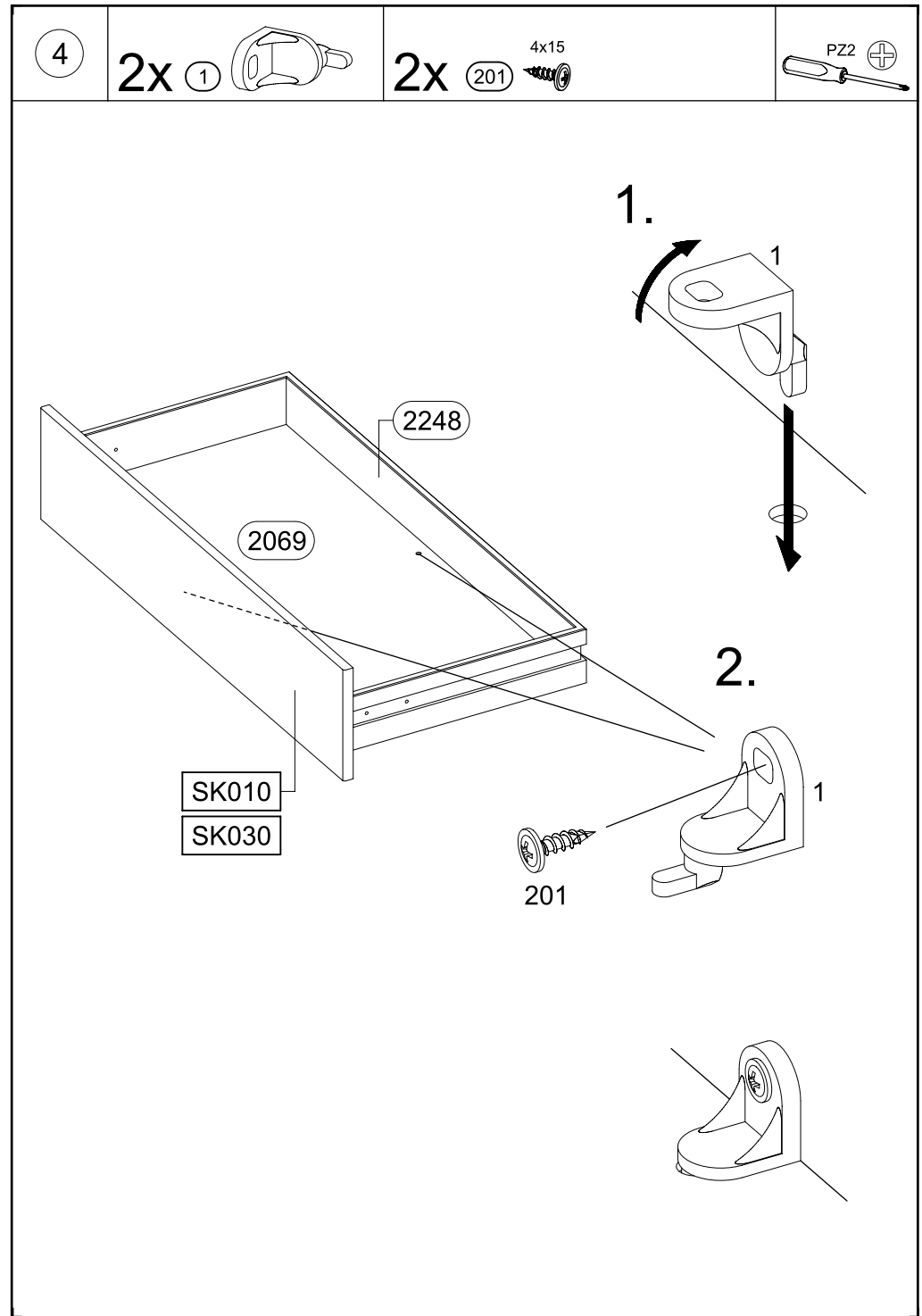
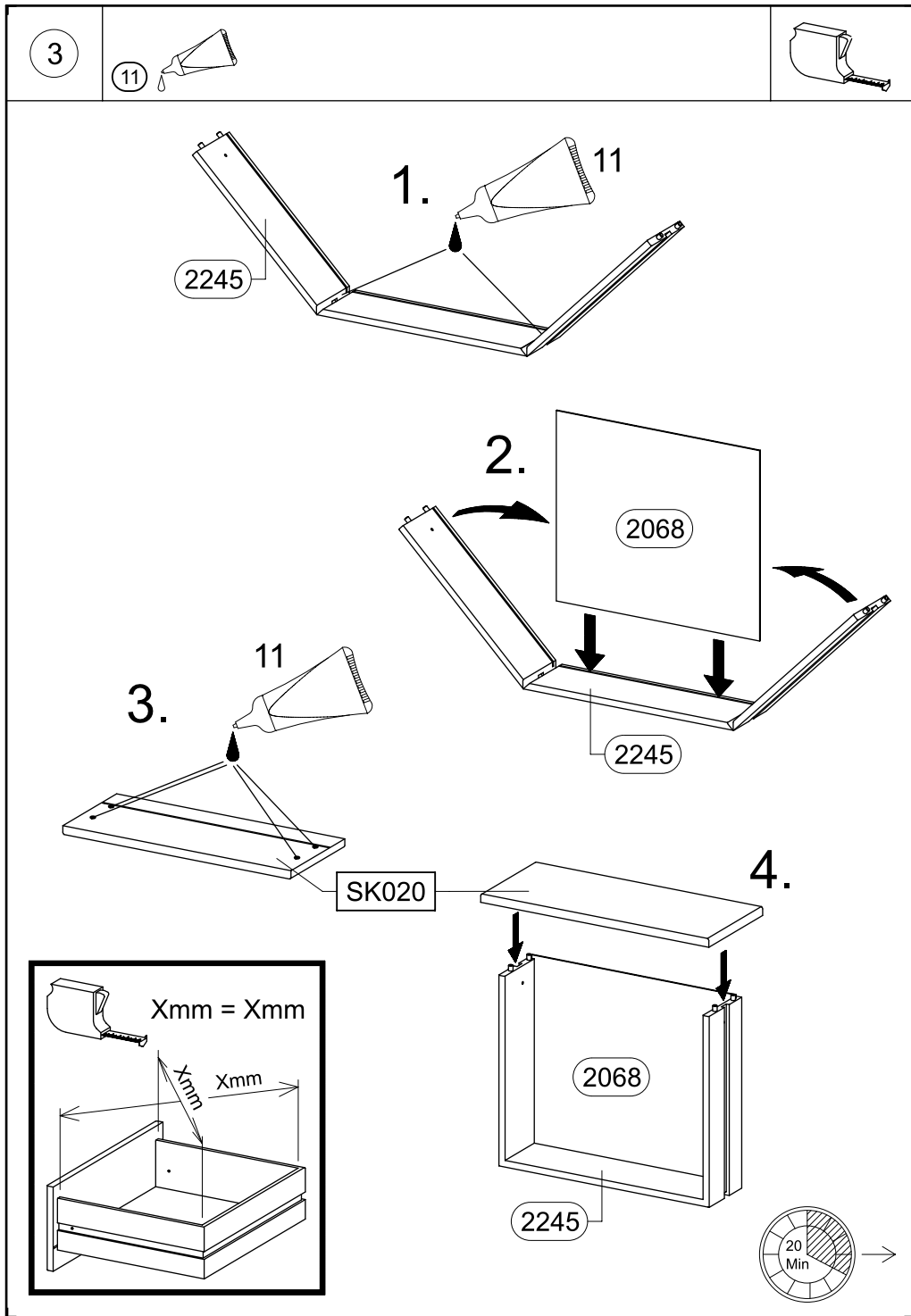




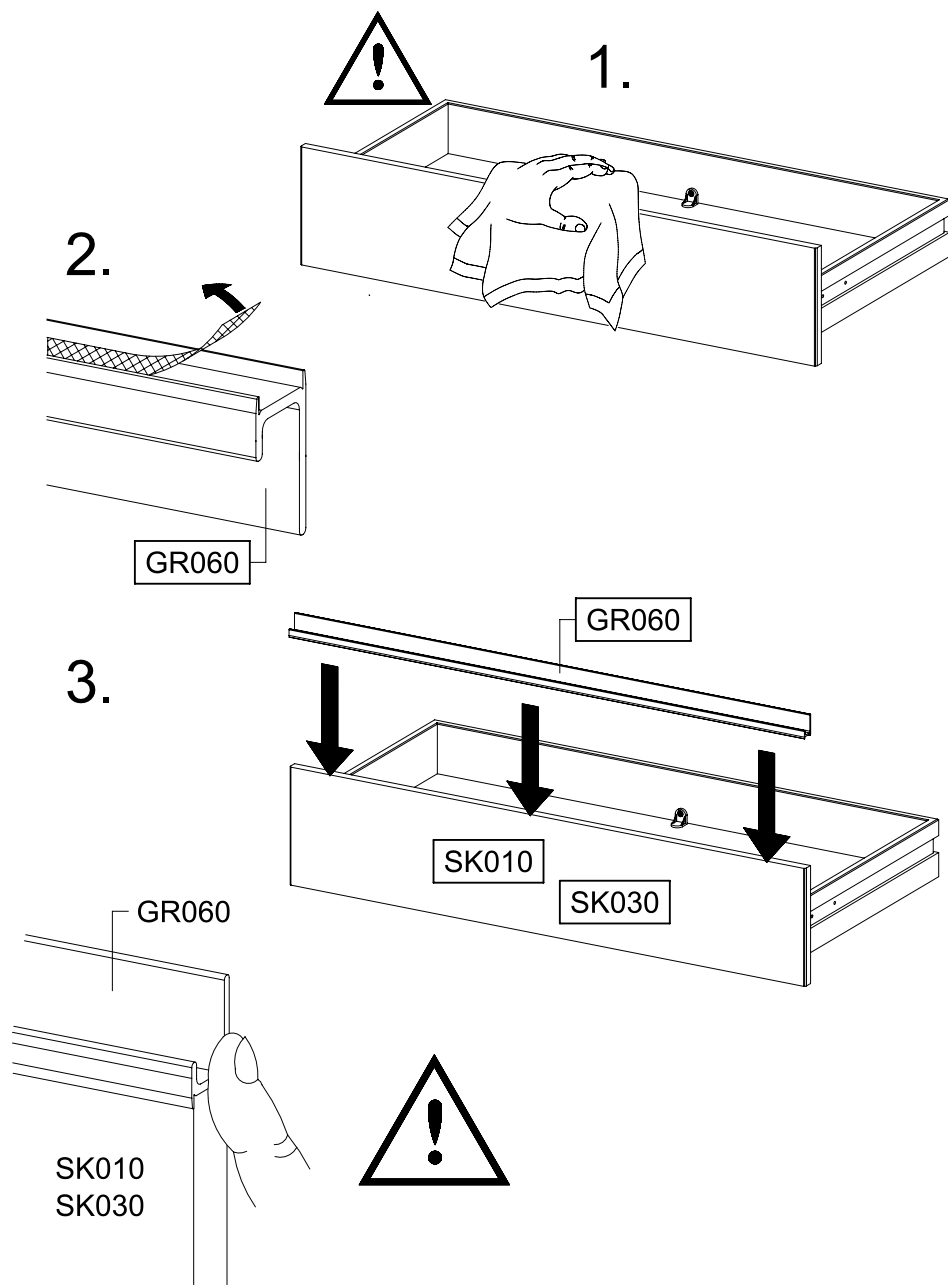
<p>10x</p>  <p>1</p>	<p>11</p> 	<p>2x</p> <p>55x16x6,2</p>  <p>12</p>	
<p>8x</p> <p>8x30</p>  <p>18</p>	<p>20x-25x</p>  <p>116</p>		
<p>8x</p> <p>6,3x50</p>  <p>233</p>	<p>2x</p> <p>4,5x50</p>  <p>296</p>	<p>12x</p> <p>6x8</p>  <p>534</p>	
<p>16x</p> <p>6,5x12</p>  <p>779</p>	<p>8x</p>  <p>807</p>	<p>8x</p> <p>4x15</p>  <p>201</p>	
<p>12x</p> <p>5,0x7,0</p>  <p>249</p>	<p>12x</p>  <p>274</p>	<p>2x</p> <p>77x22x15</p>  <p>68</p>	
<p>4x</p> <p>342x27x10</p>  <p>1396</p>		<p>6x</p> <p>M4x9</p>  <p>568</p>	
<p>2x</p> <p>328x17x9,5</p>  <p>251</p>		<p>6x</p> <p>3,5x15</p>  <p>205</p>	
			

<p>5x</p>  <p>1331</p>	<p>1x</p> <p>RE010</p> 
	

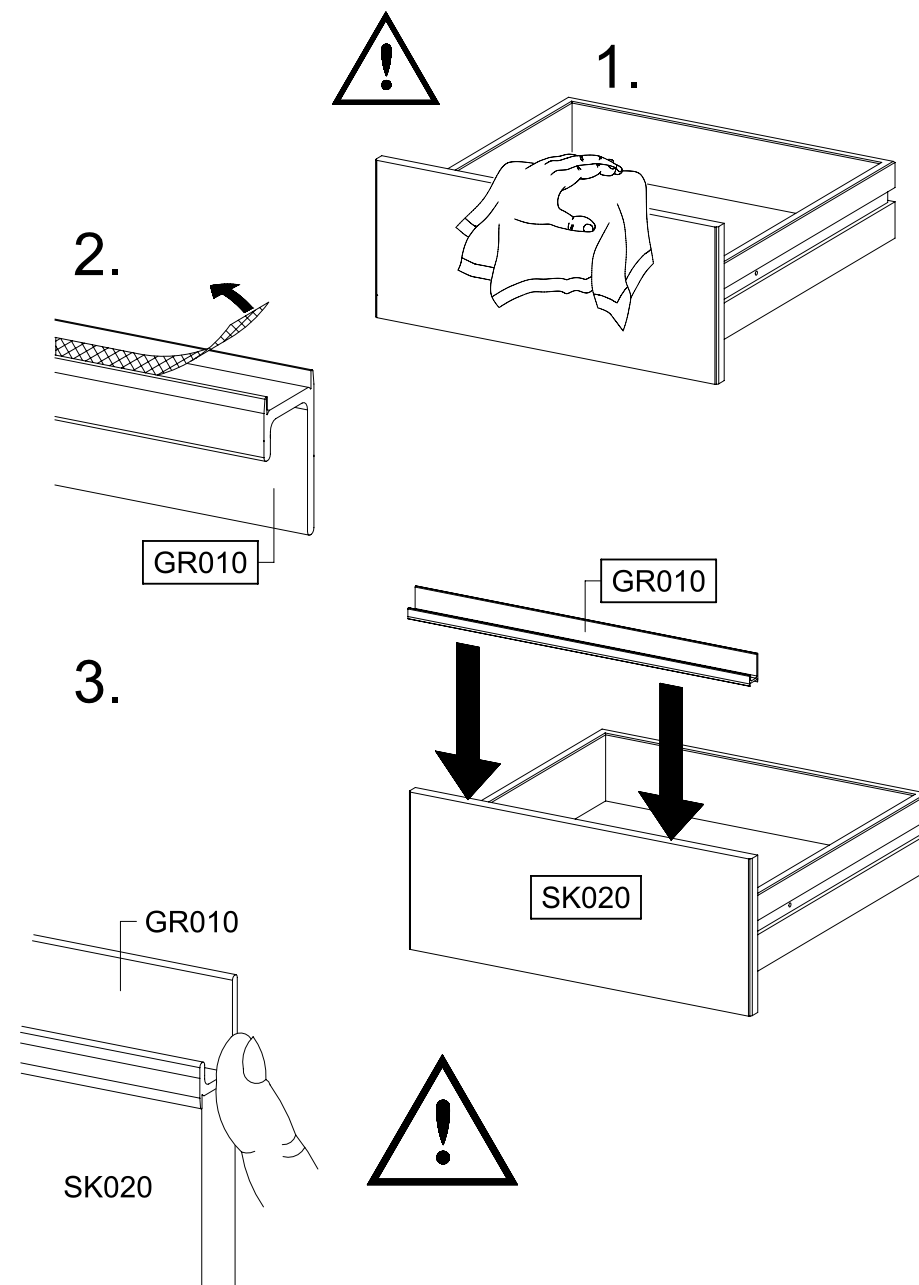


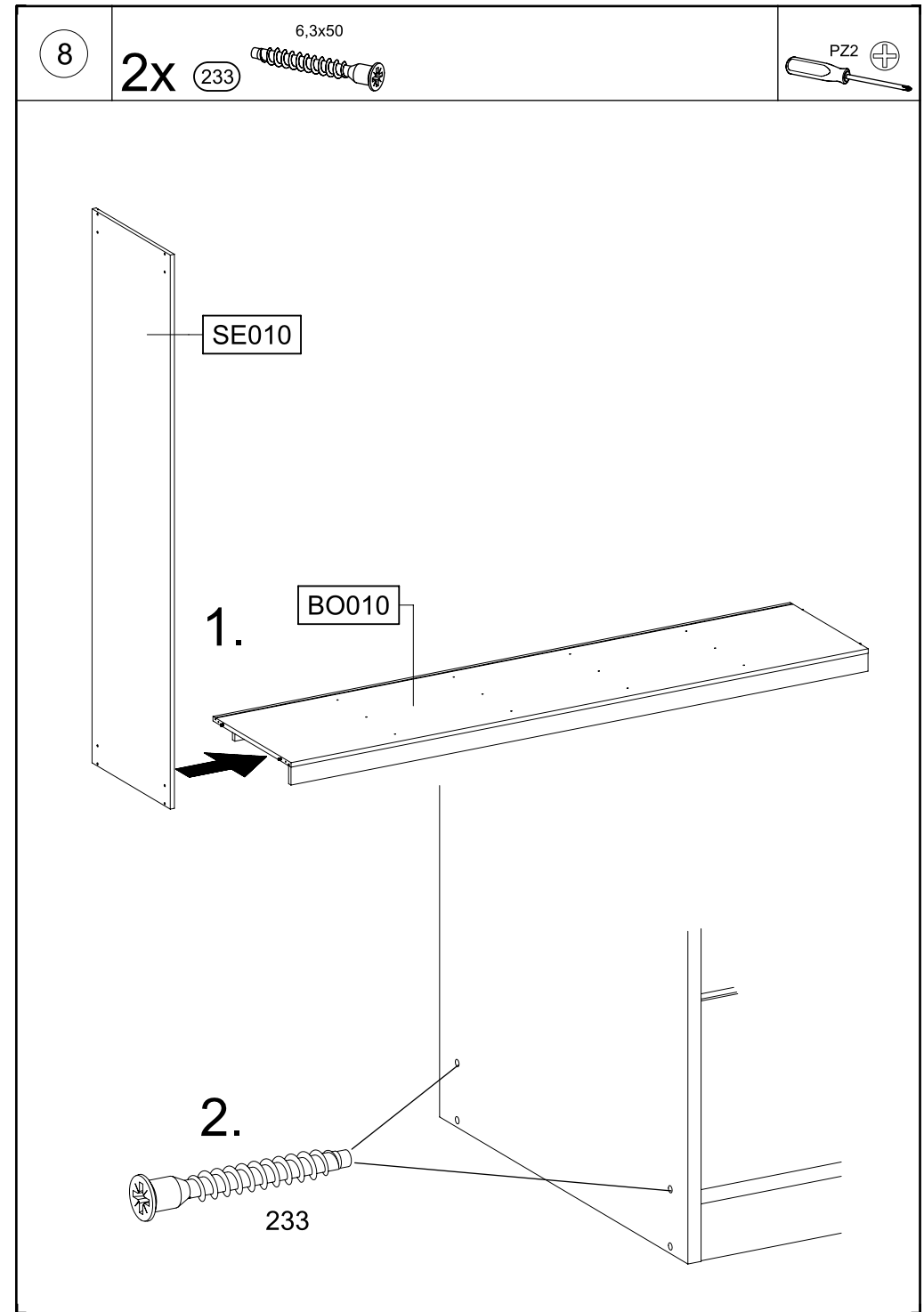
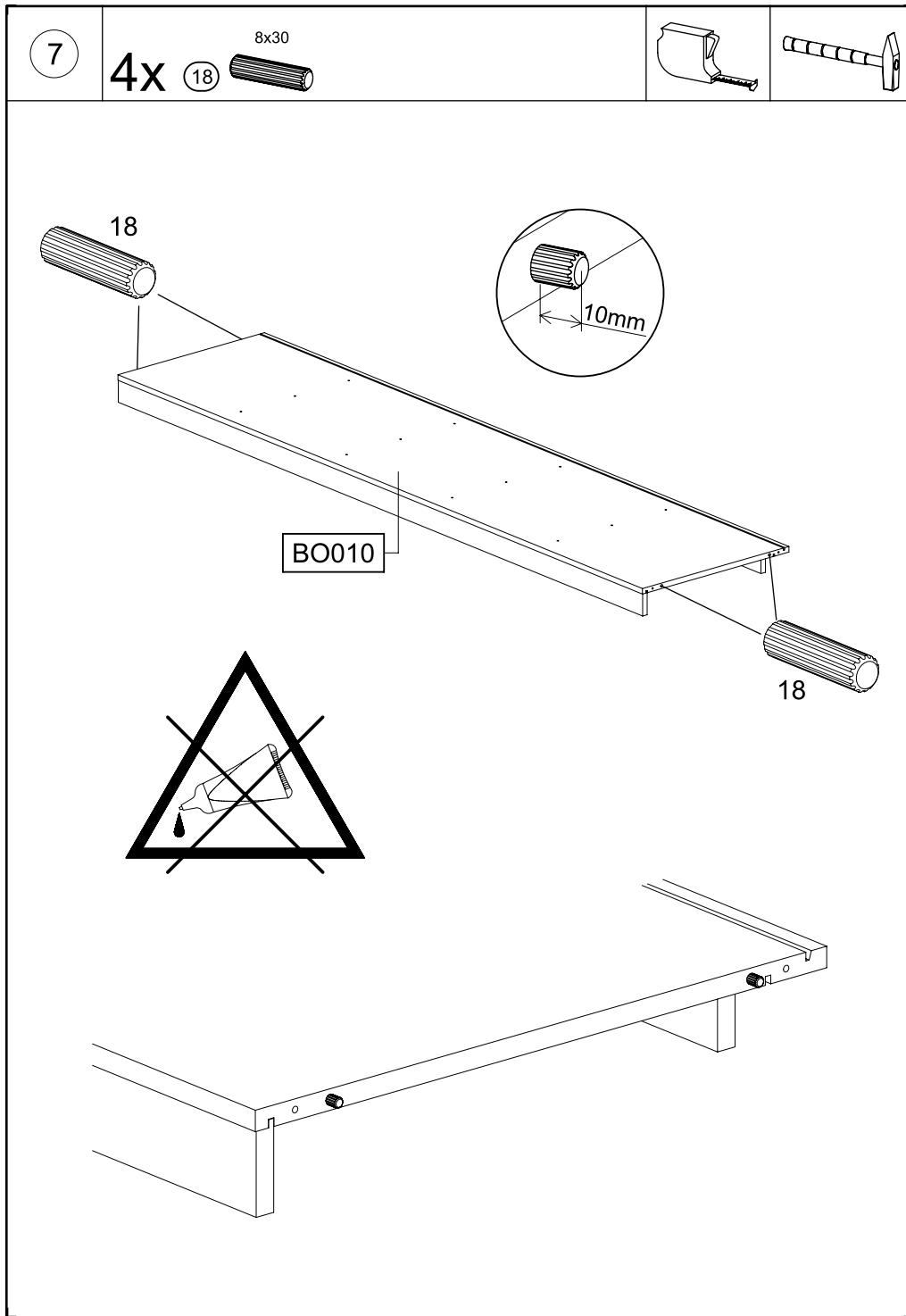


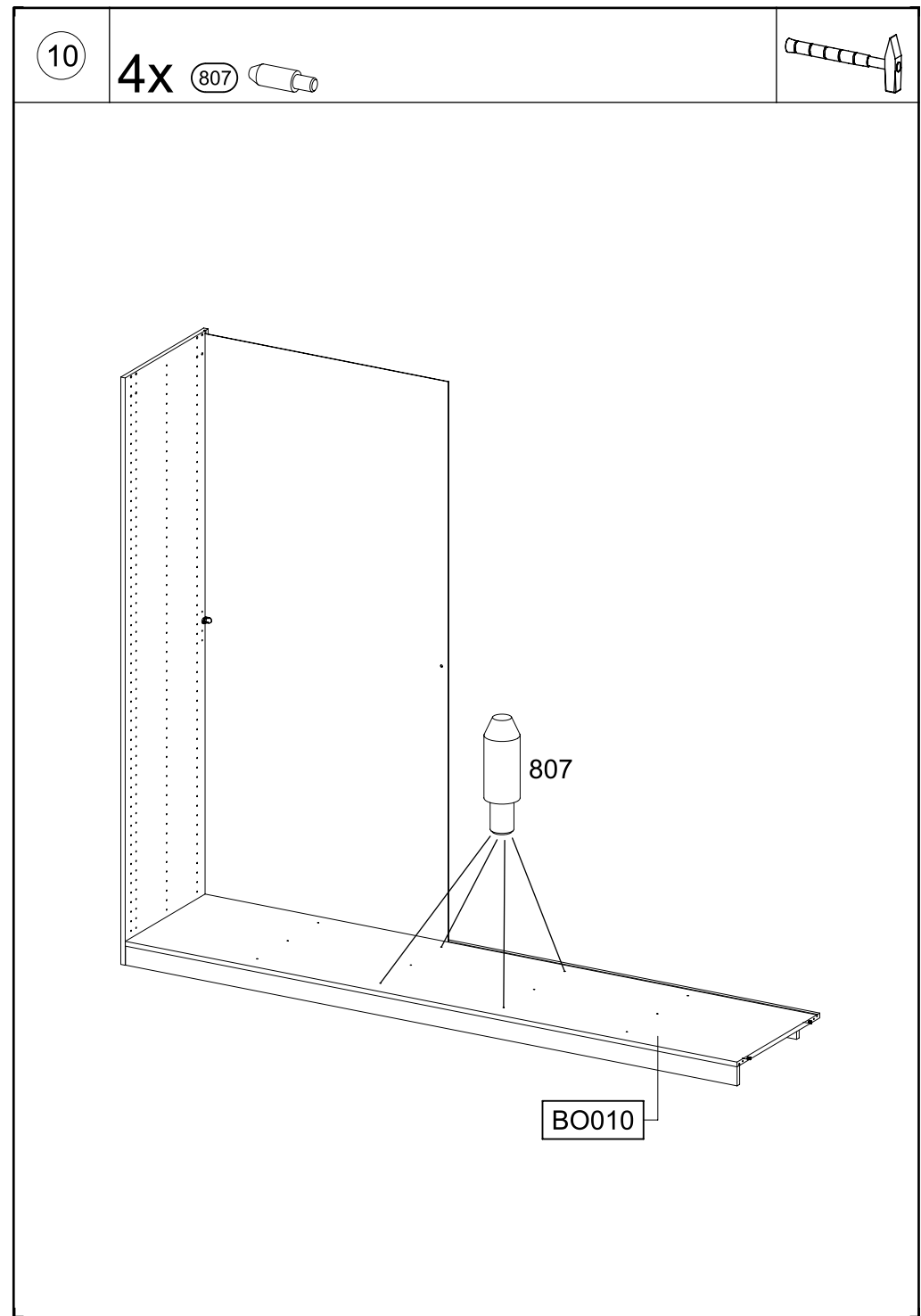
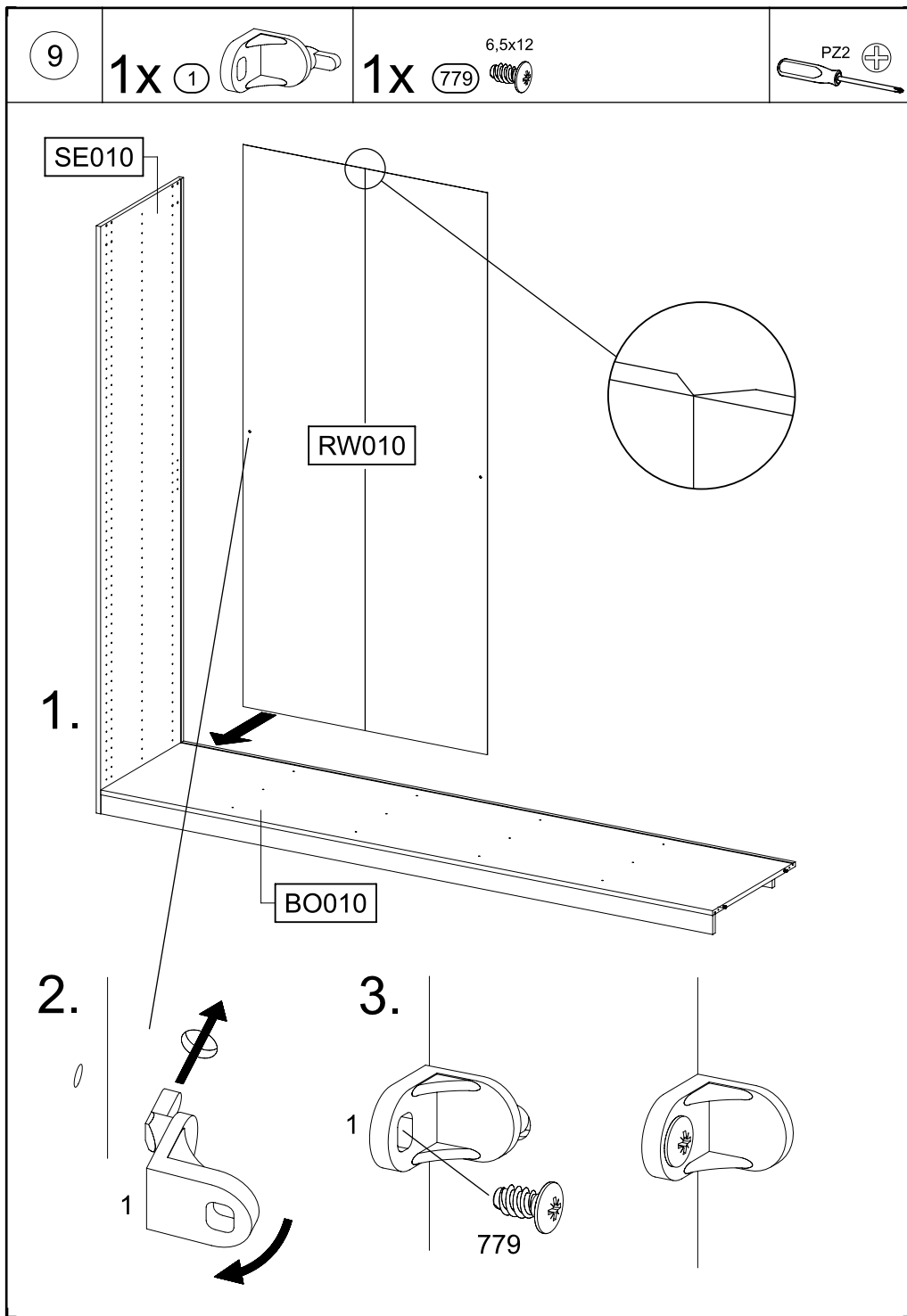
5

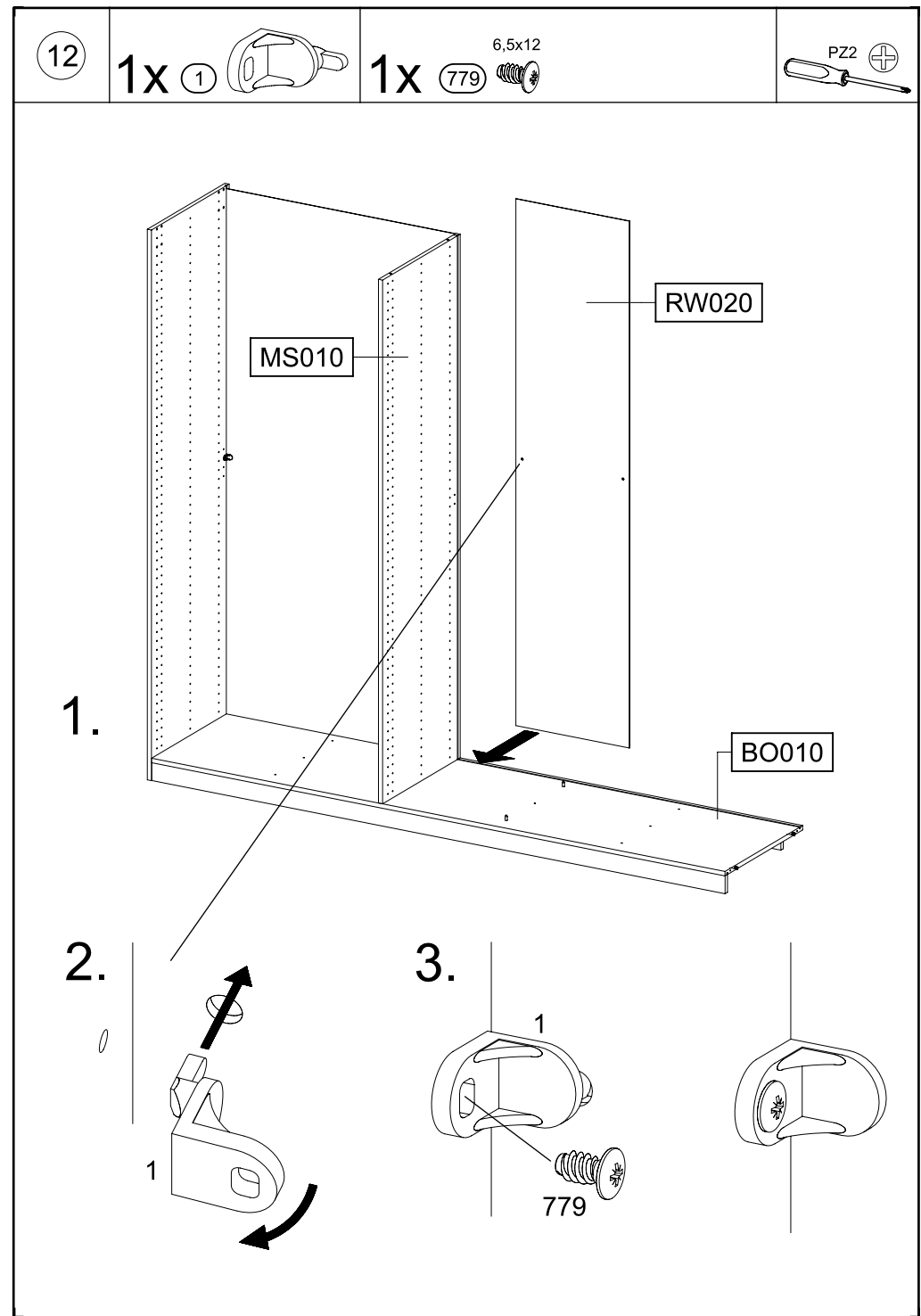
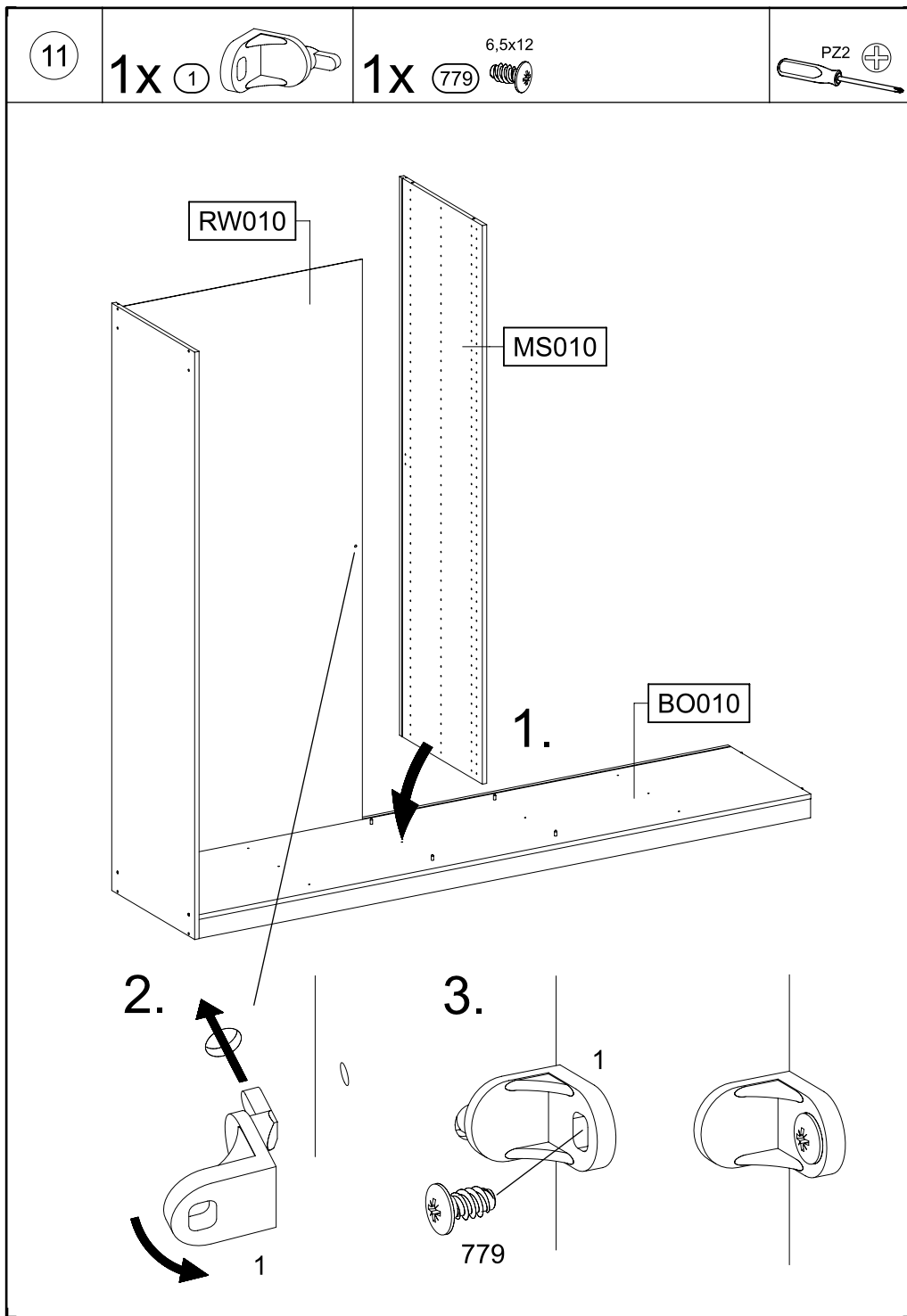


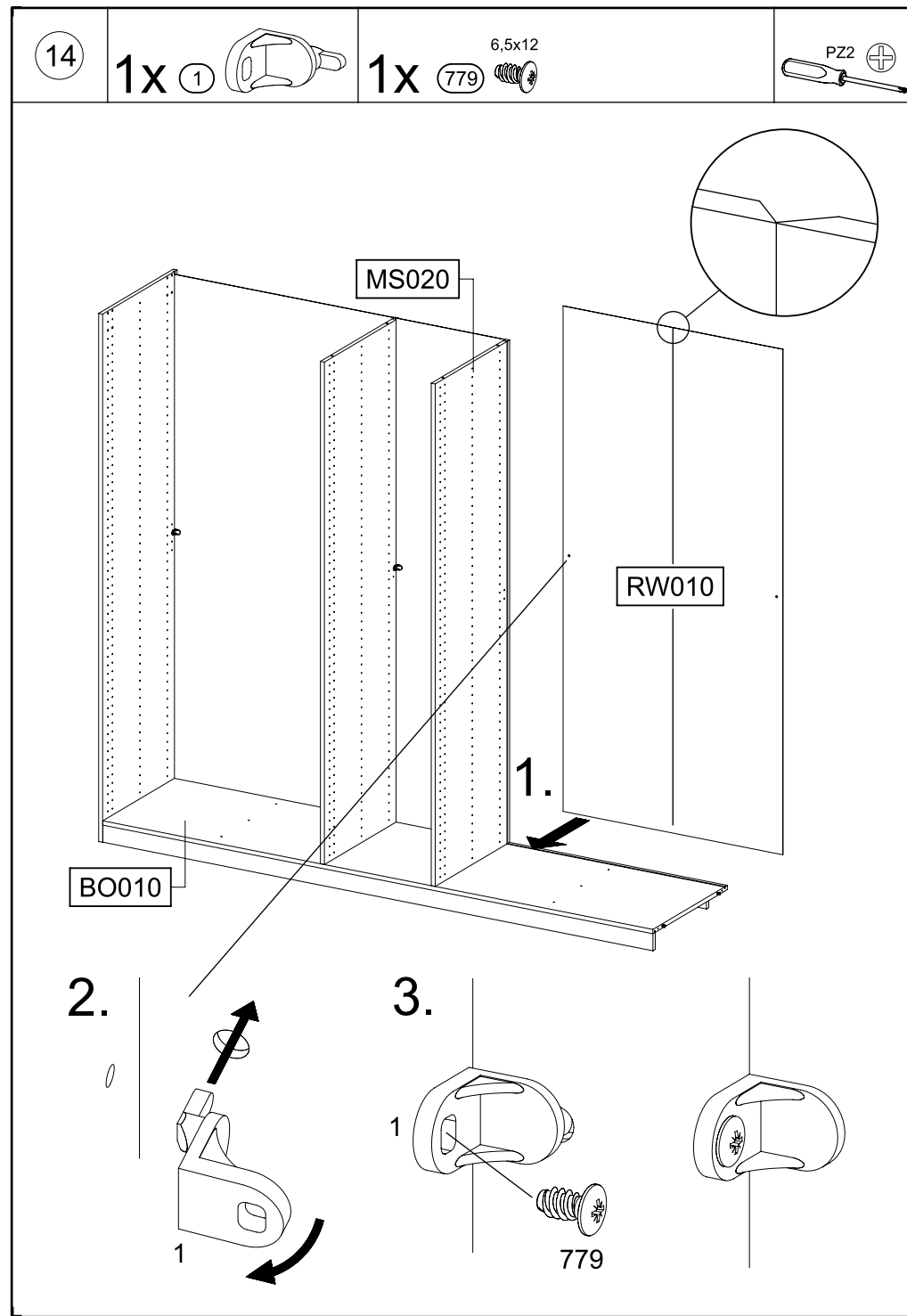
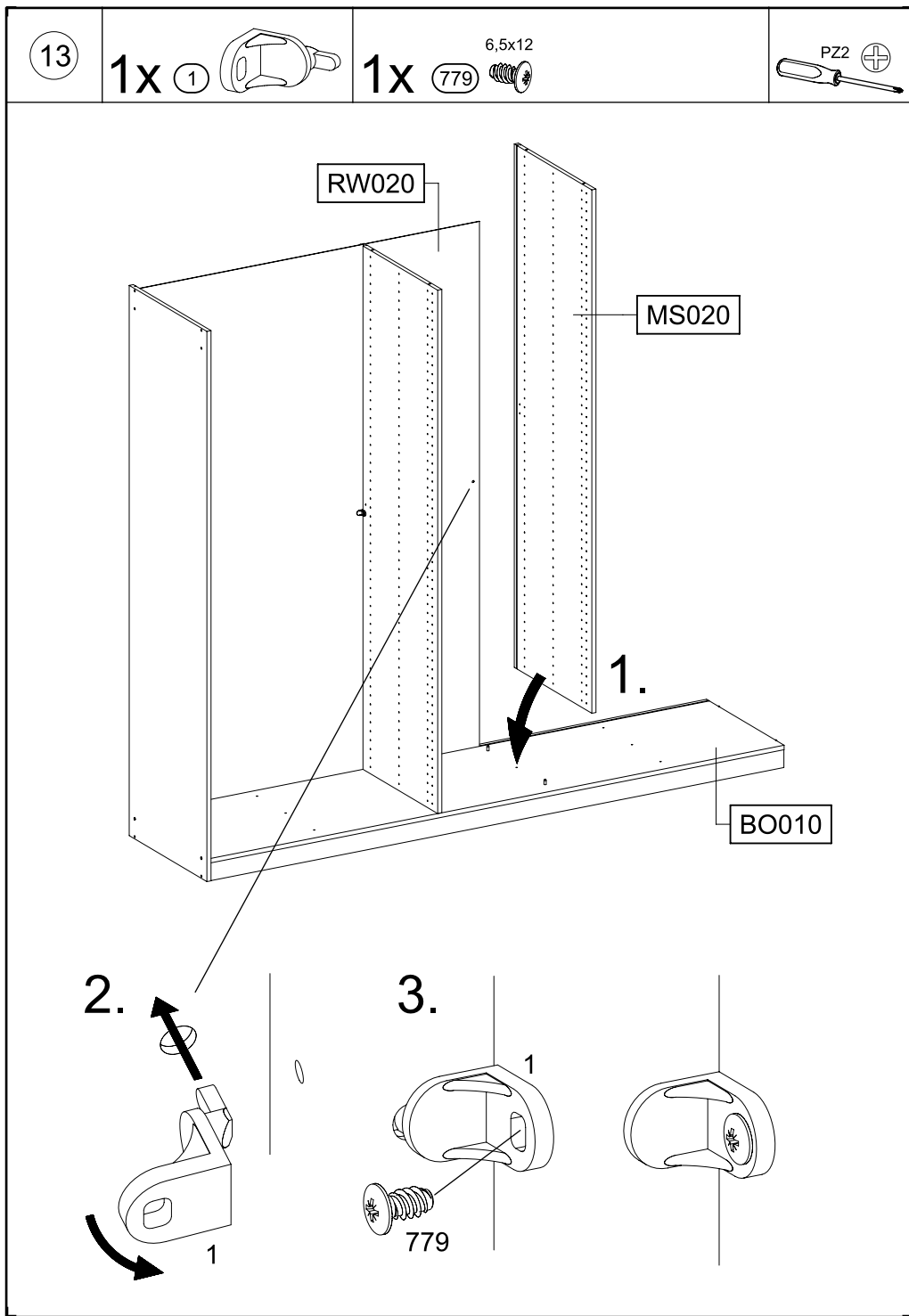
6

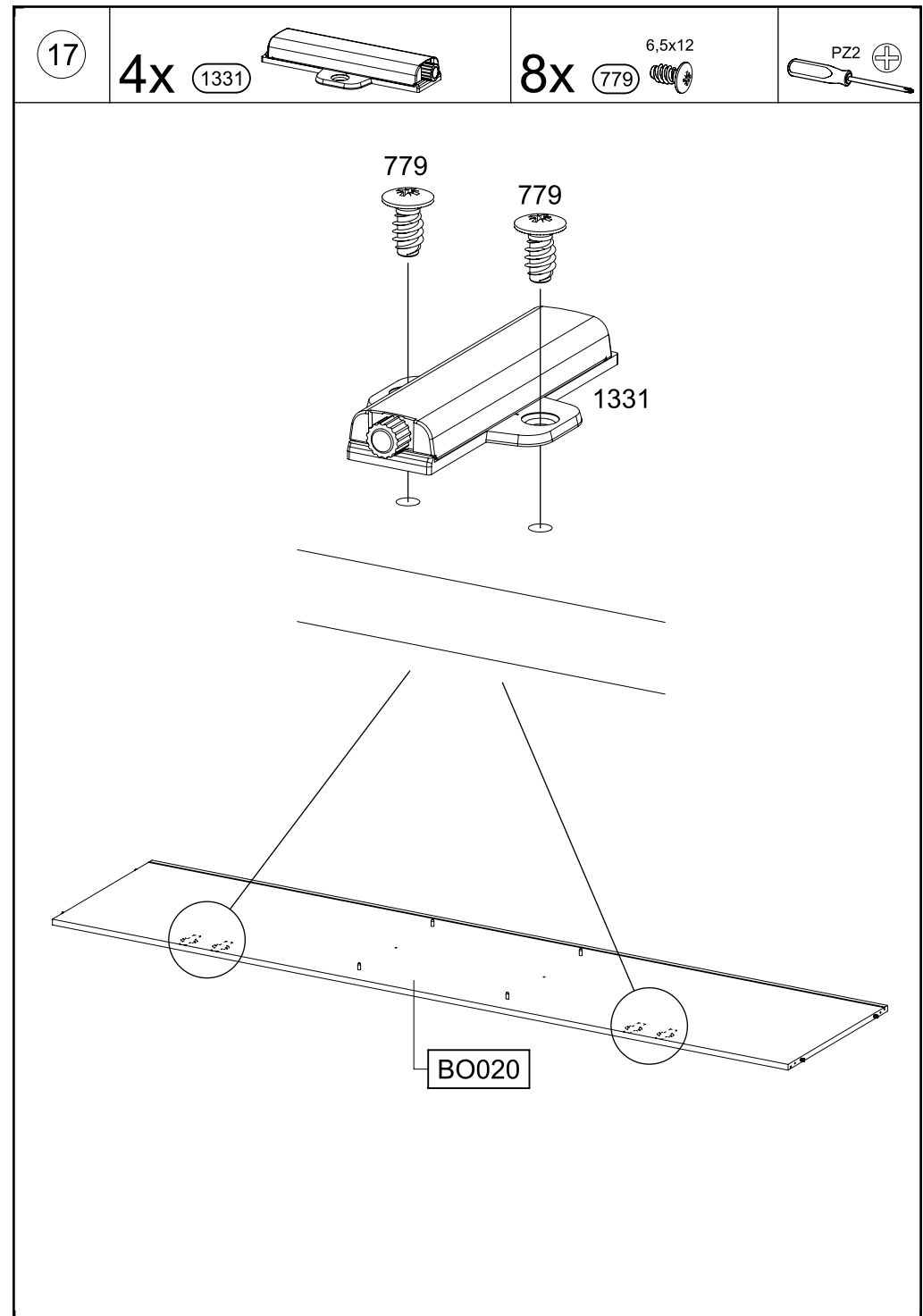
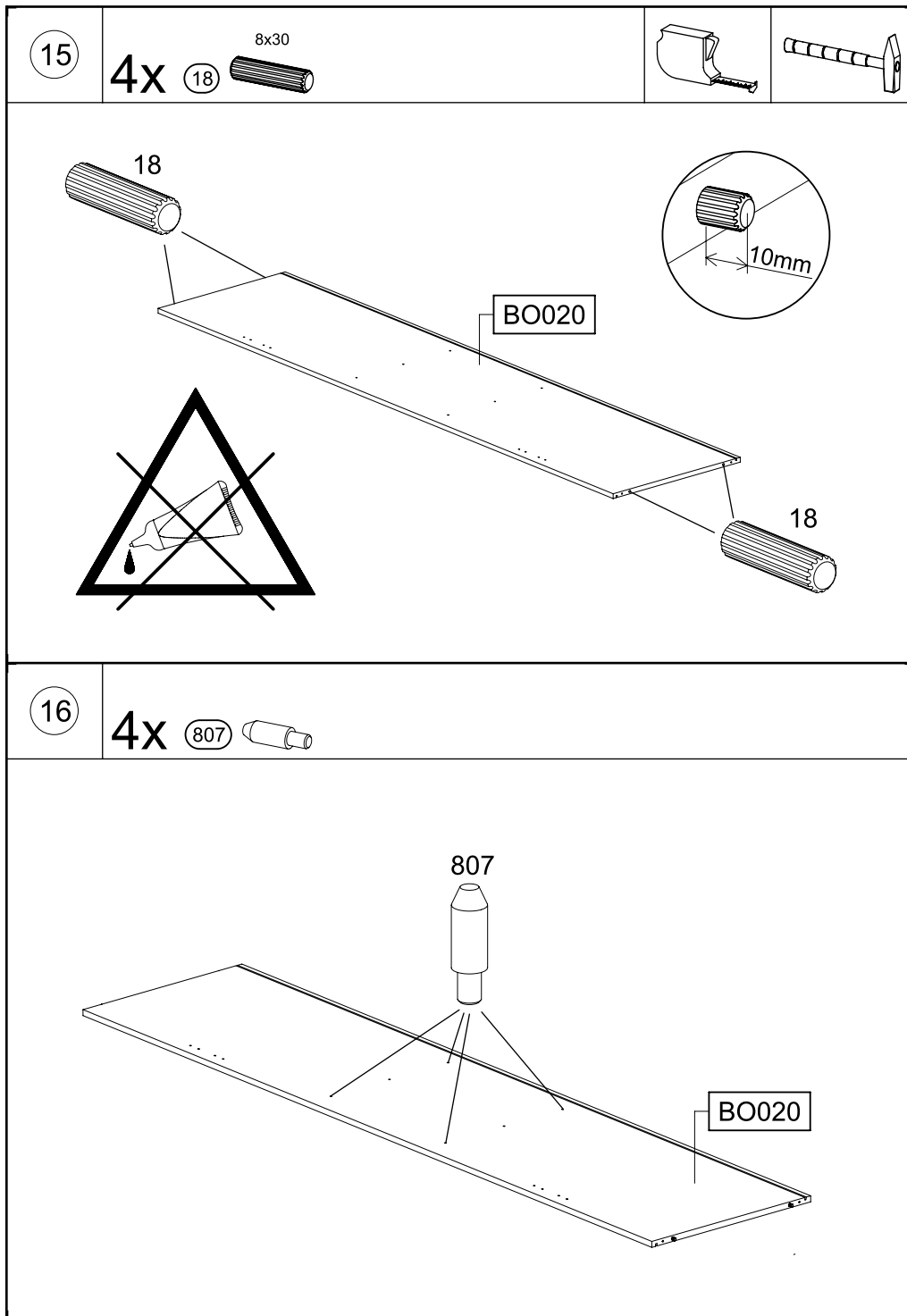






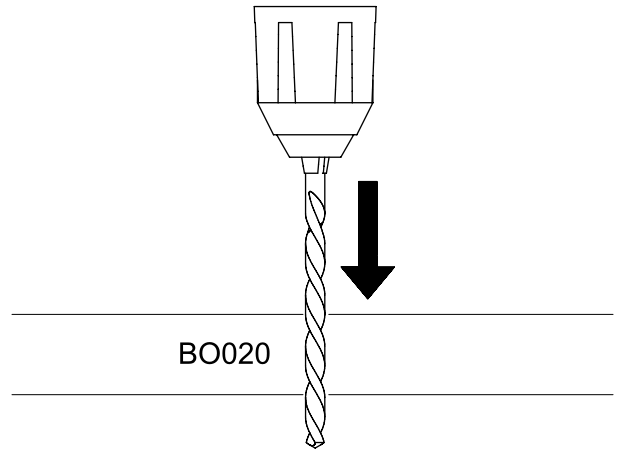
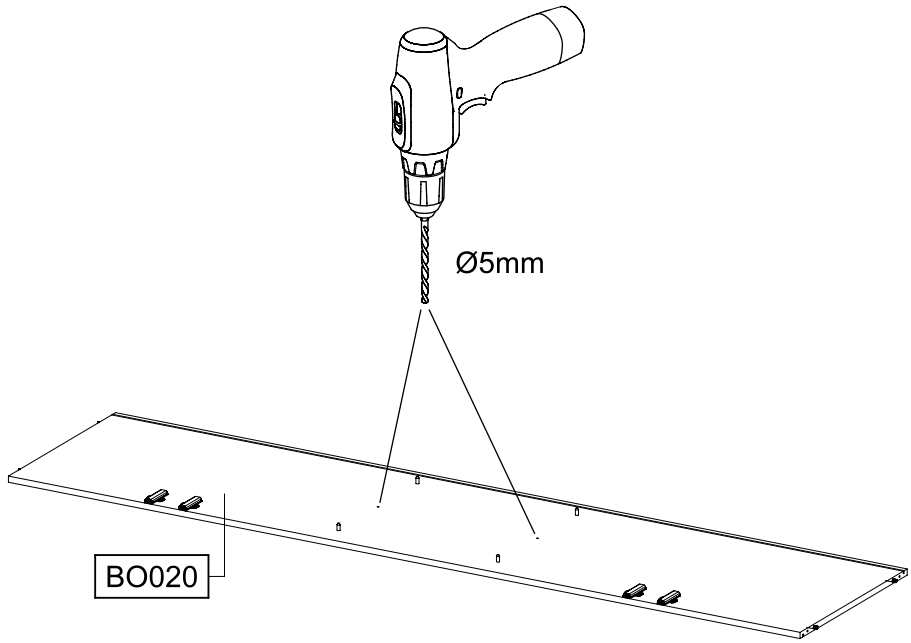






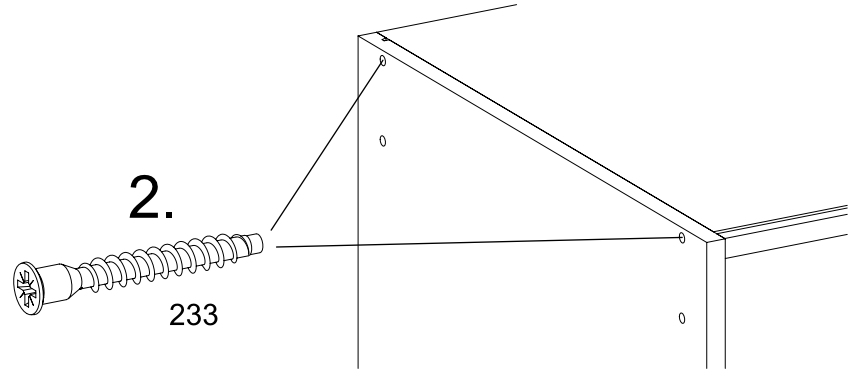
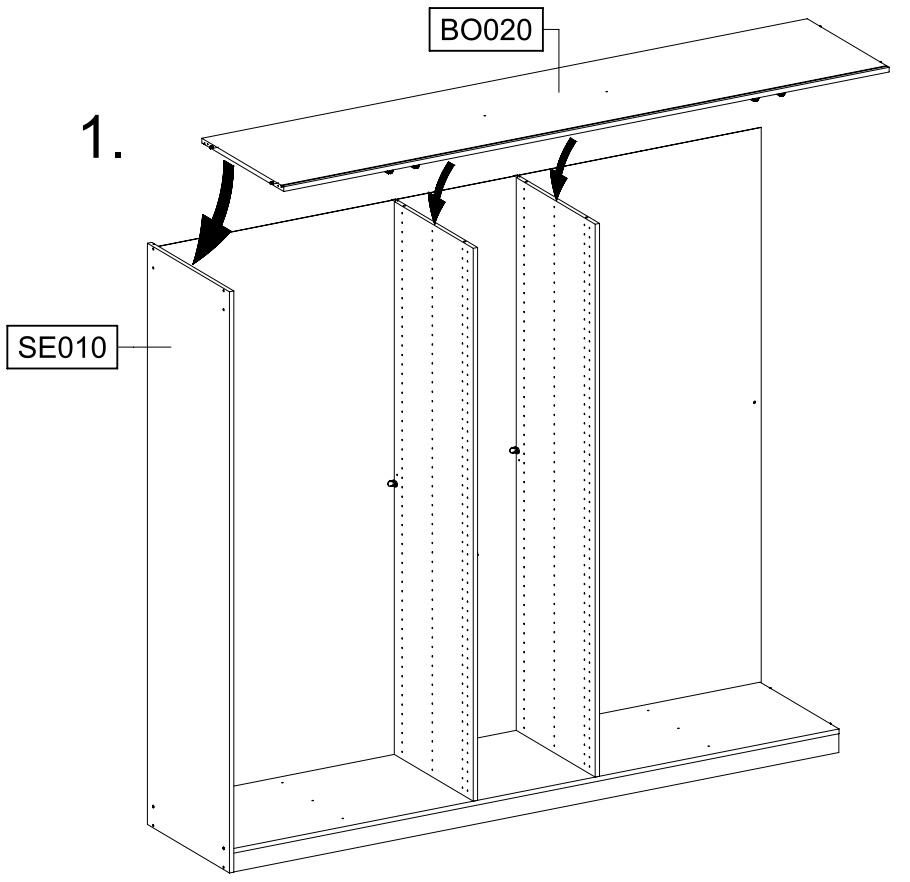
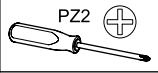
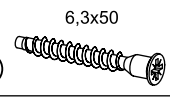
18

Ø5mm



19

2x 233

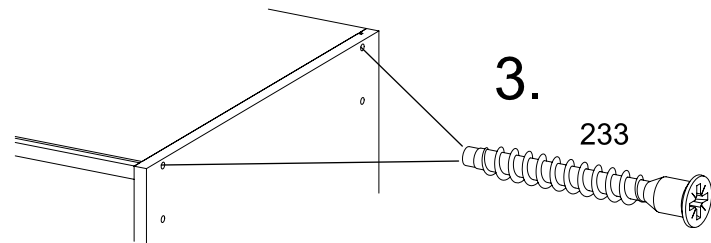
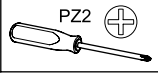


20

4x

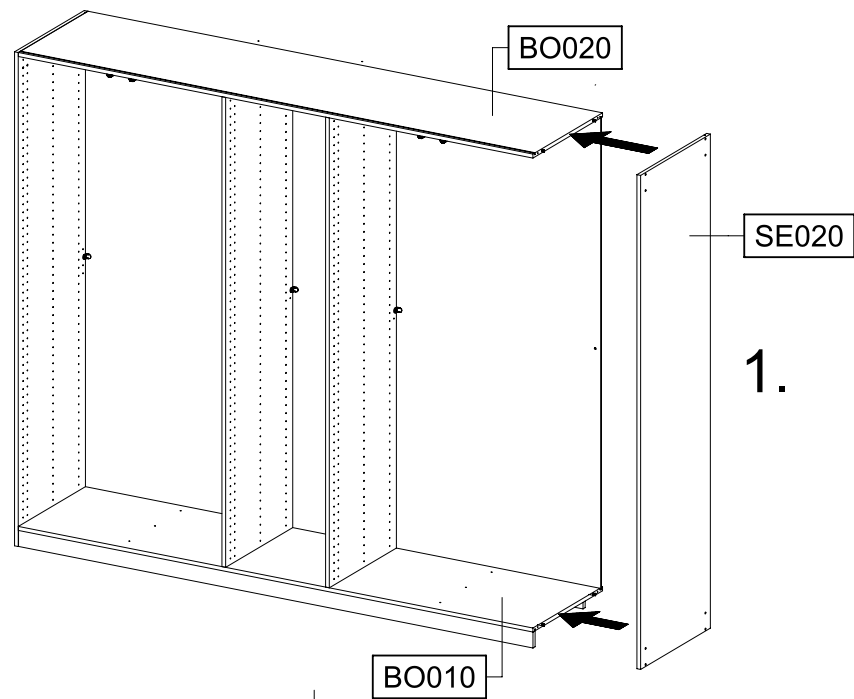
233

6,3x50



3.

233

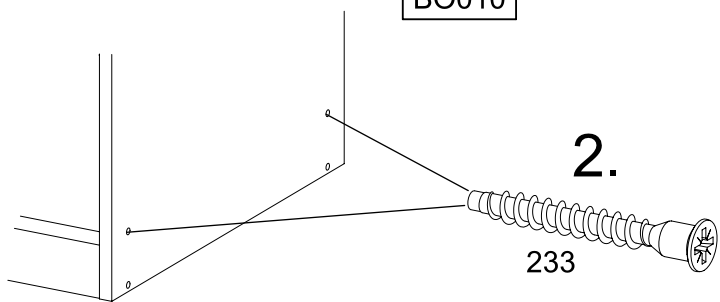


BO020

SE020

1.

BO010



2.

233

21

1x

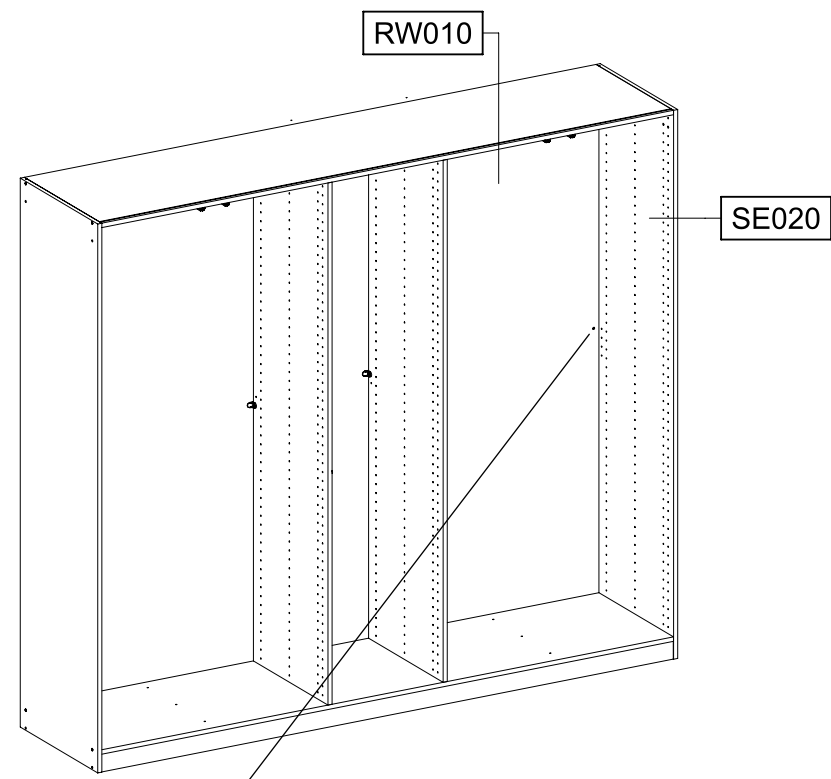
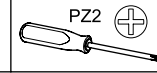
1



1x

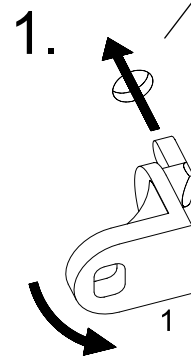
779

6,5x12



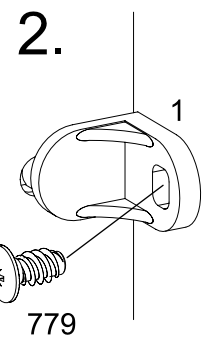
RW010

SE020



1.

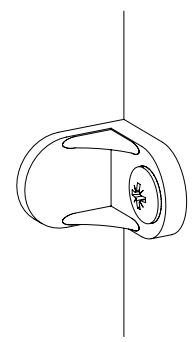
1



2.

1

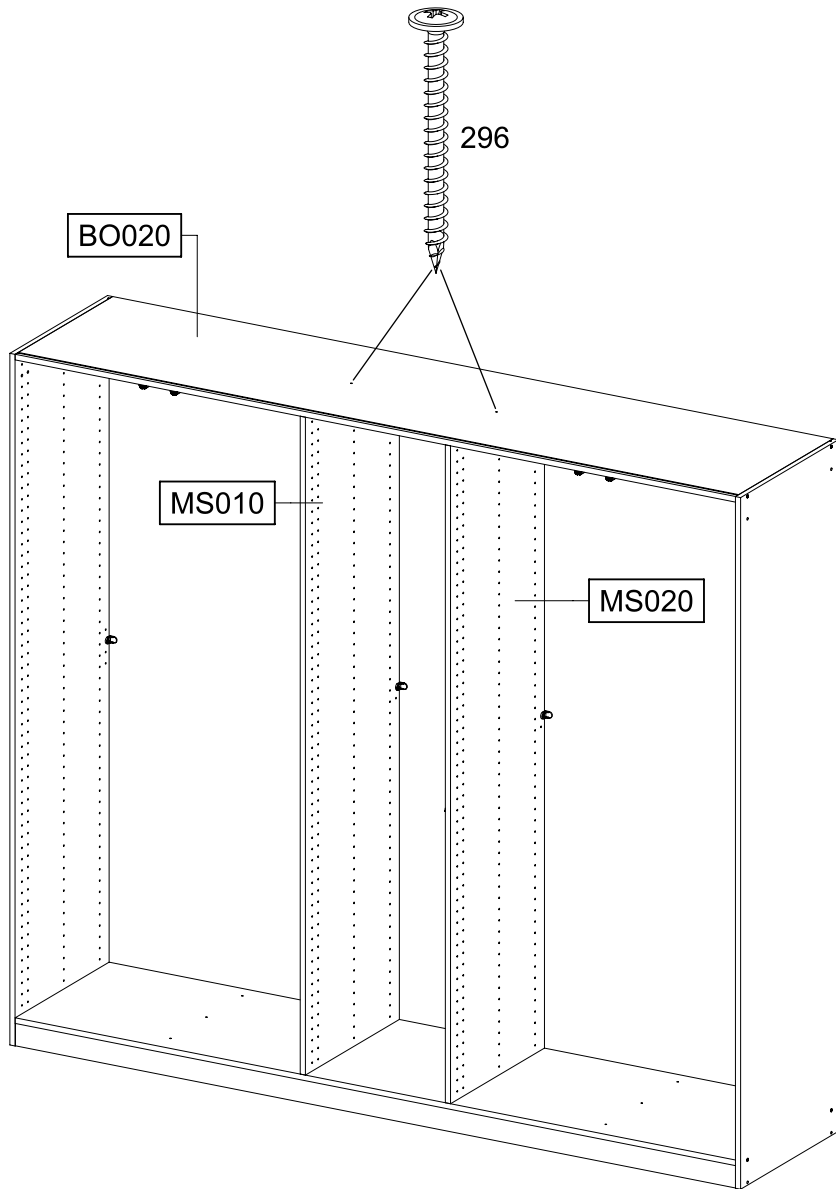
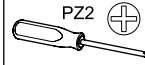
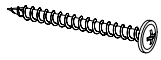
779



22

2x 296

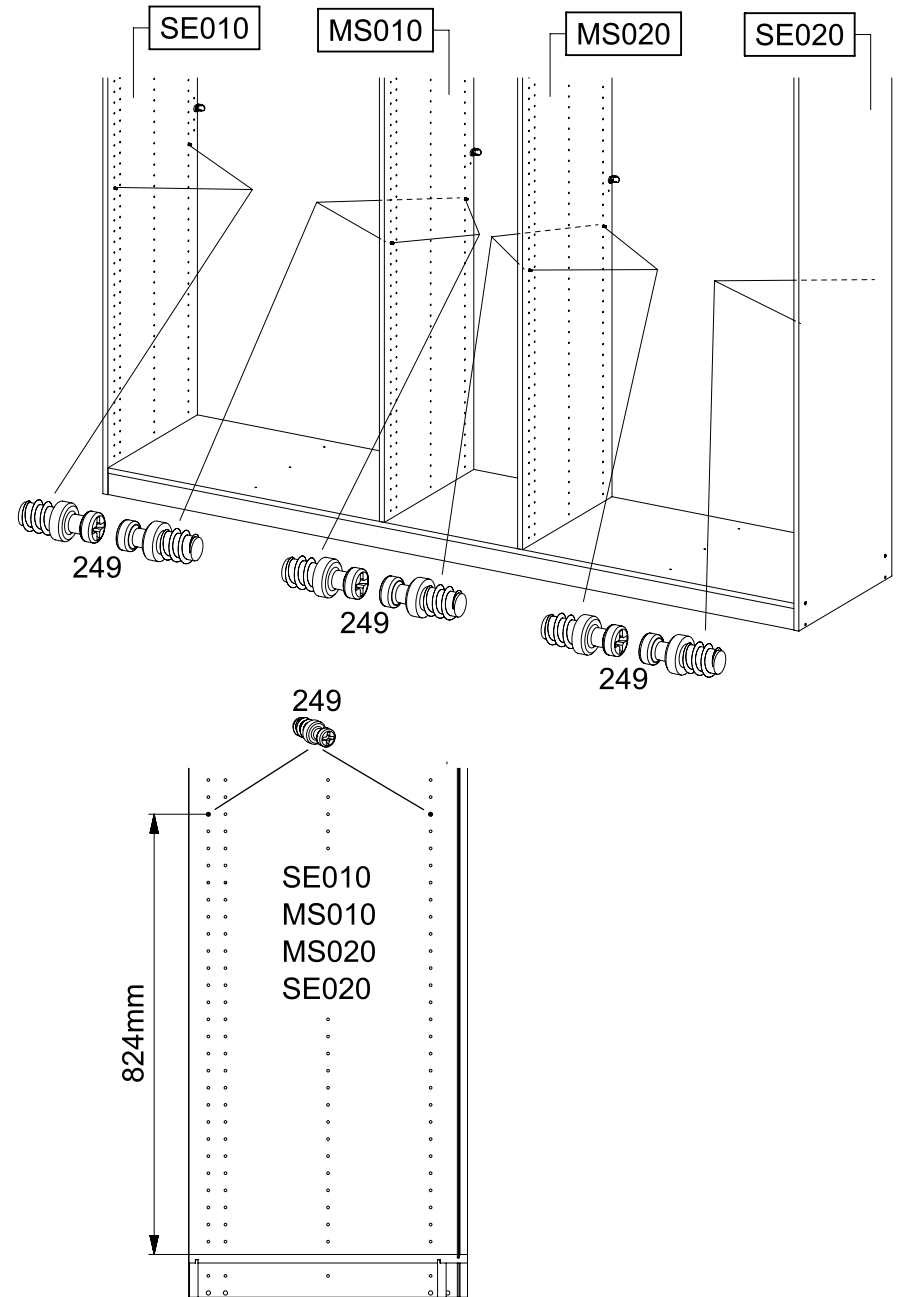
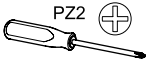
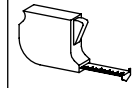
4,5x50

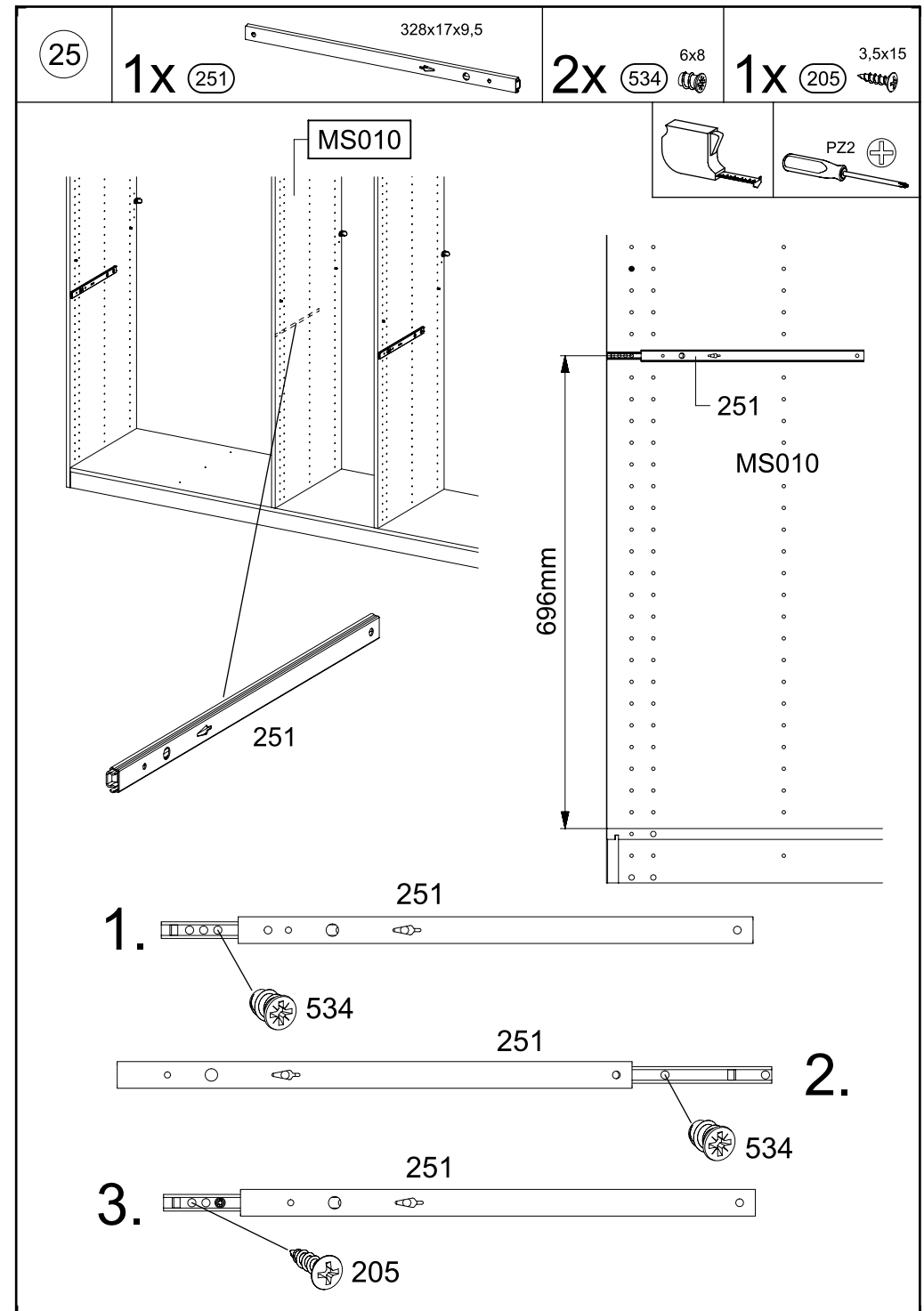
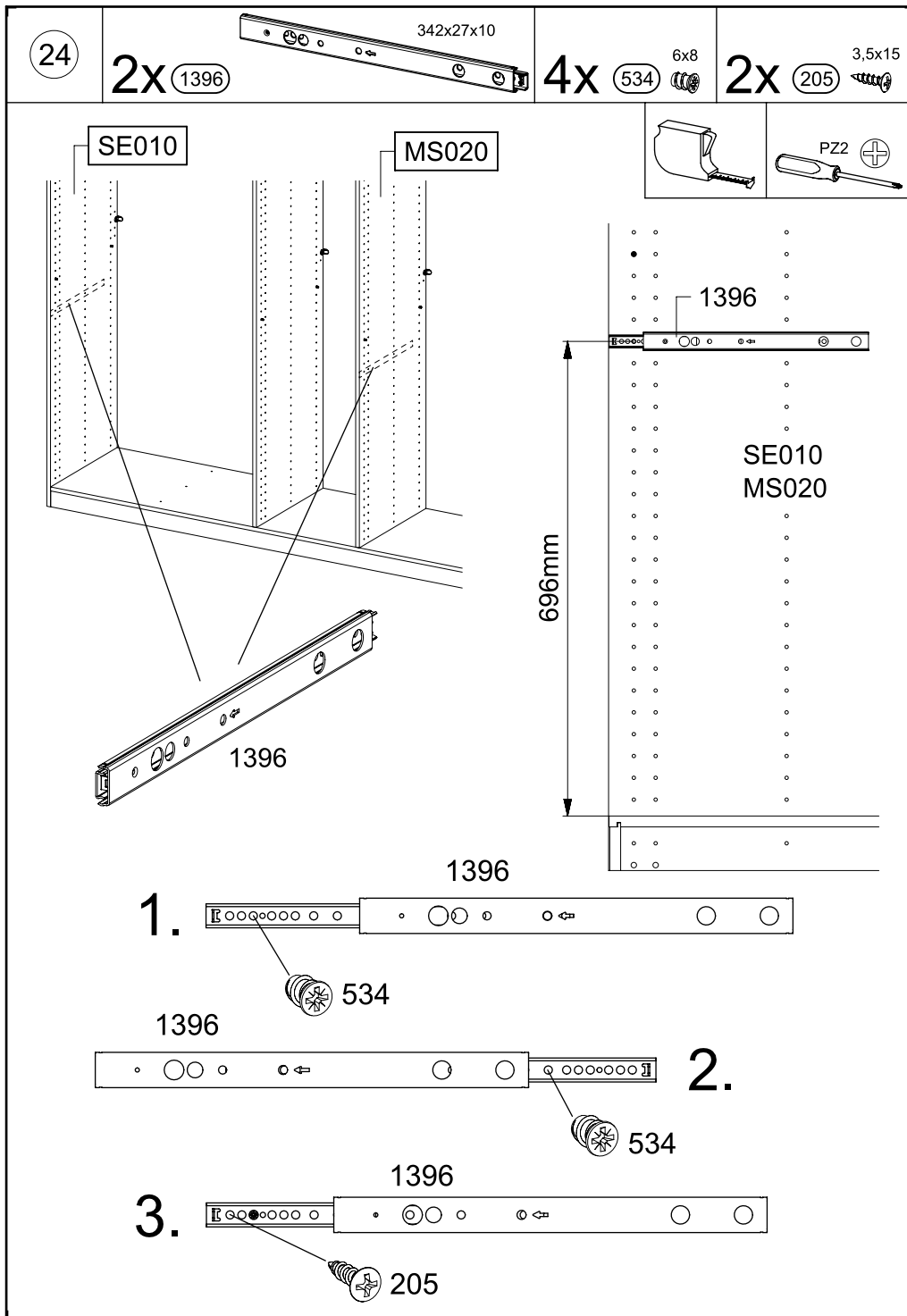


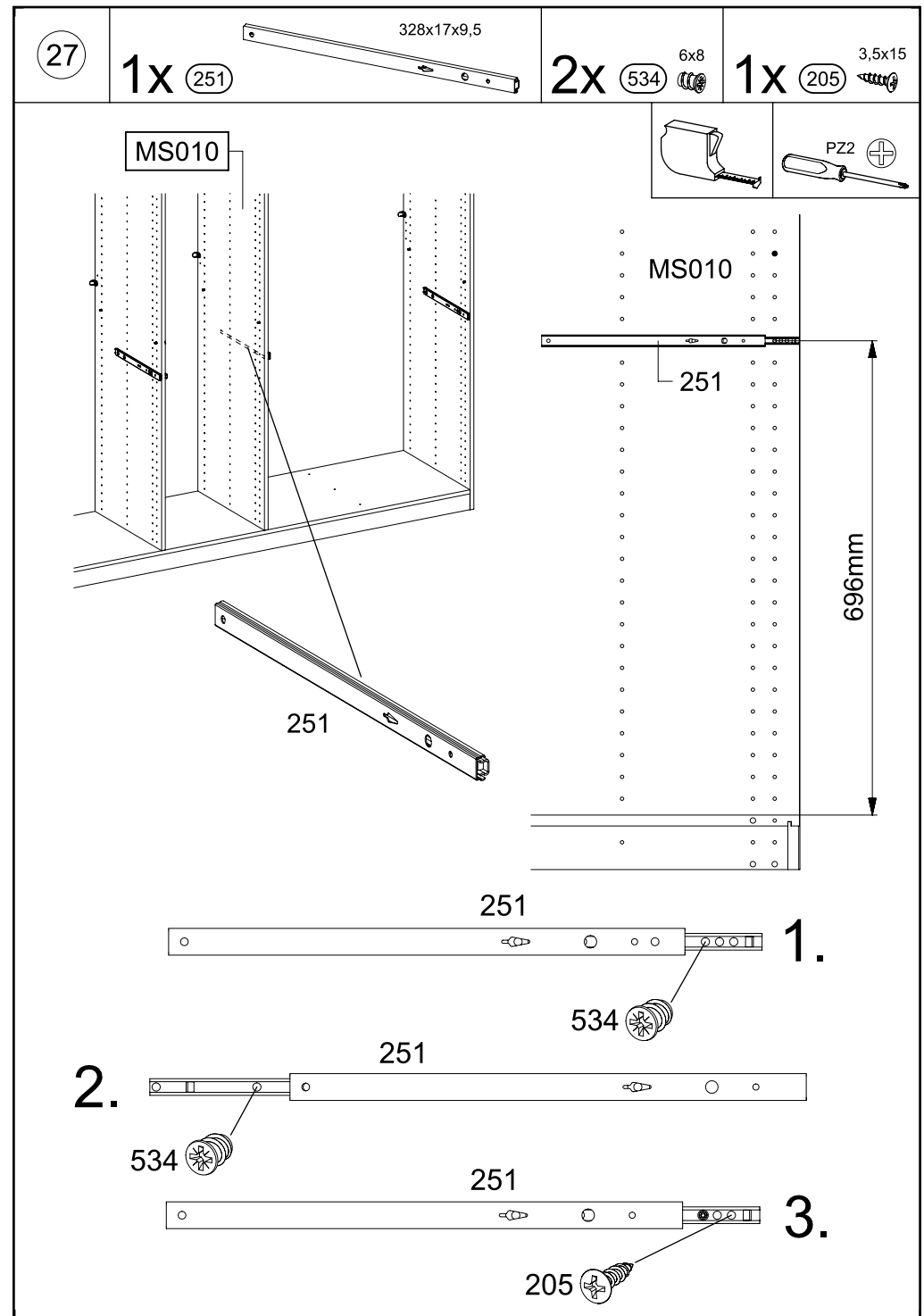
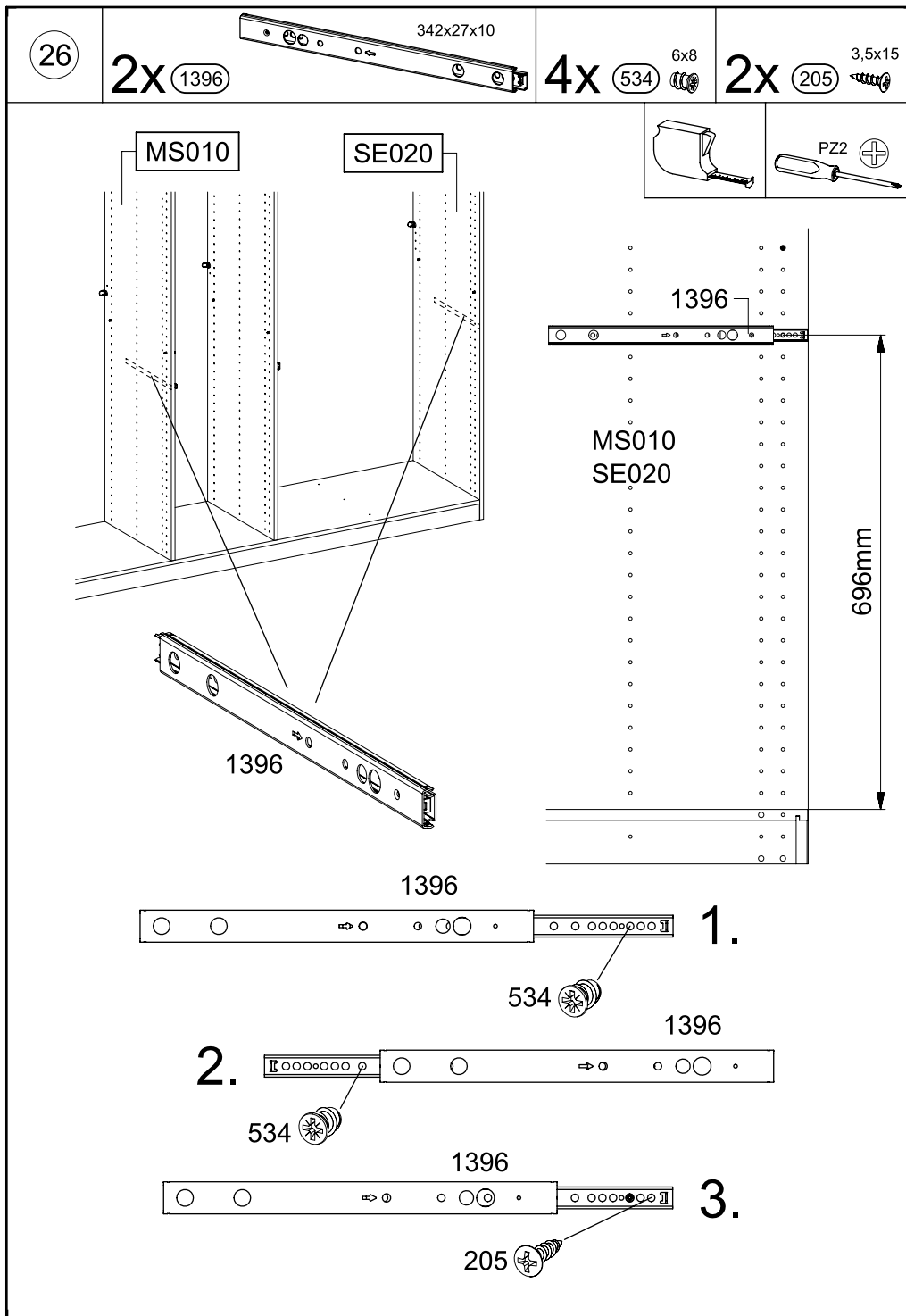
23

12x 249

5,0x7,0



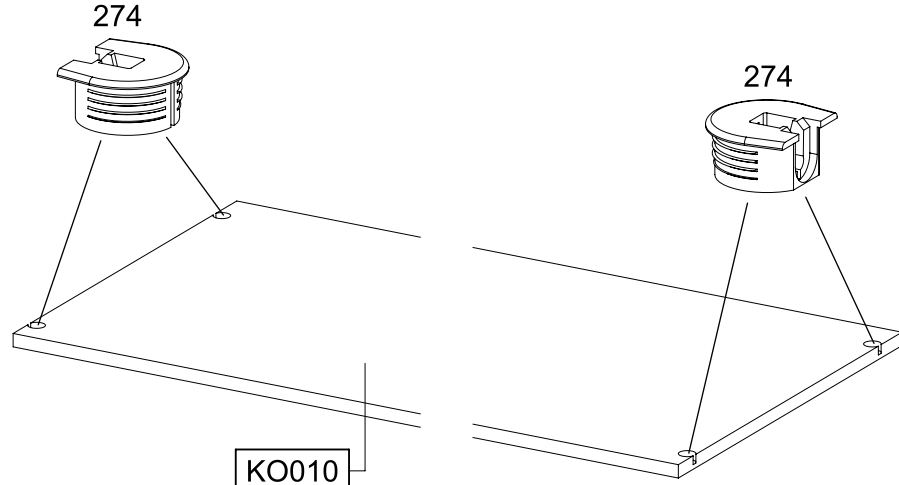
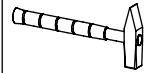




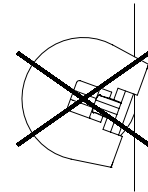
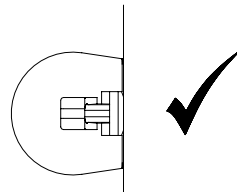
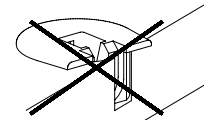
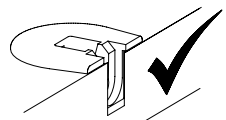
28

12x

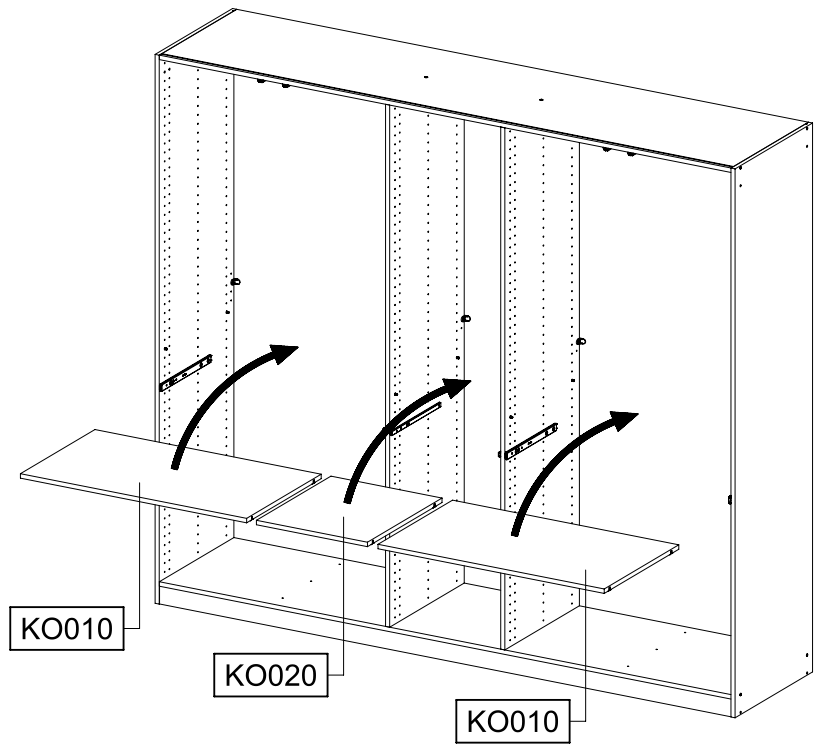
274



KO010  
KO020



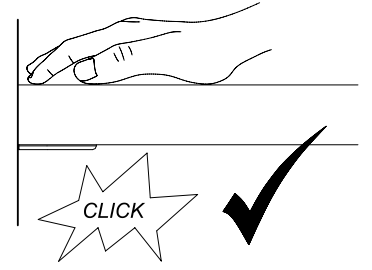
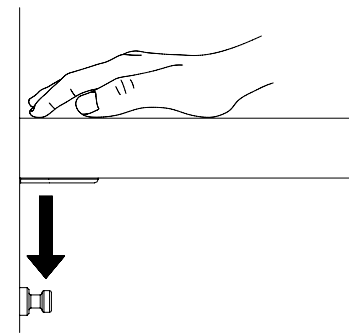
29



KO010

KO020

KO010

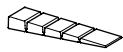


30

0-2x

12

55x16x6,2



4x

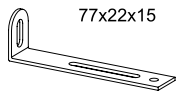
201

4x15



2x

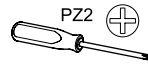
68



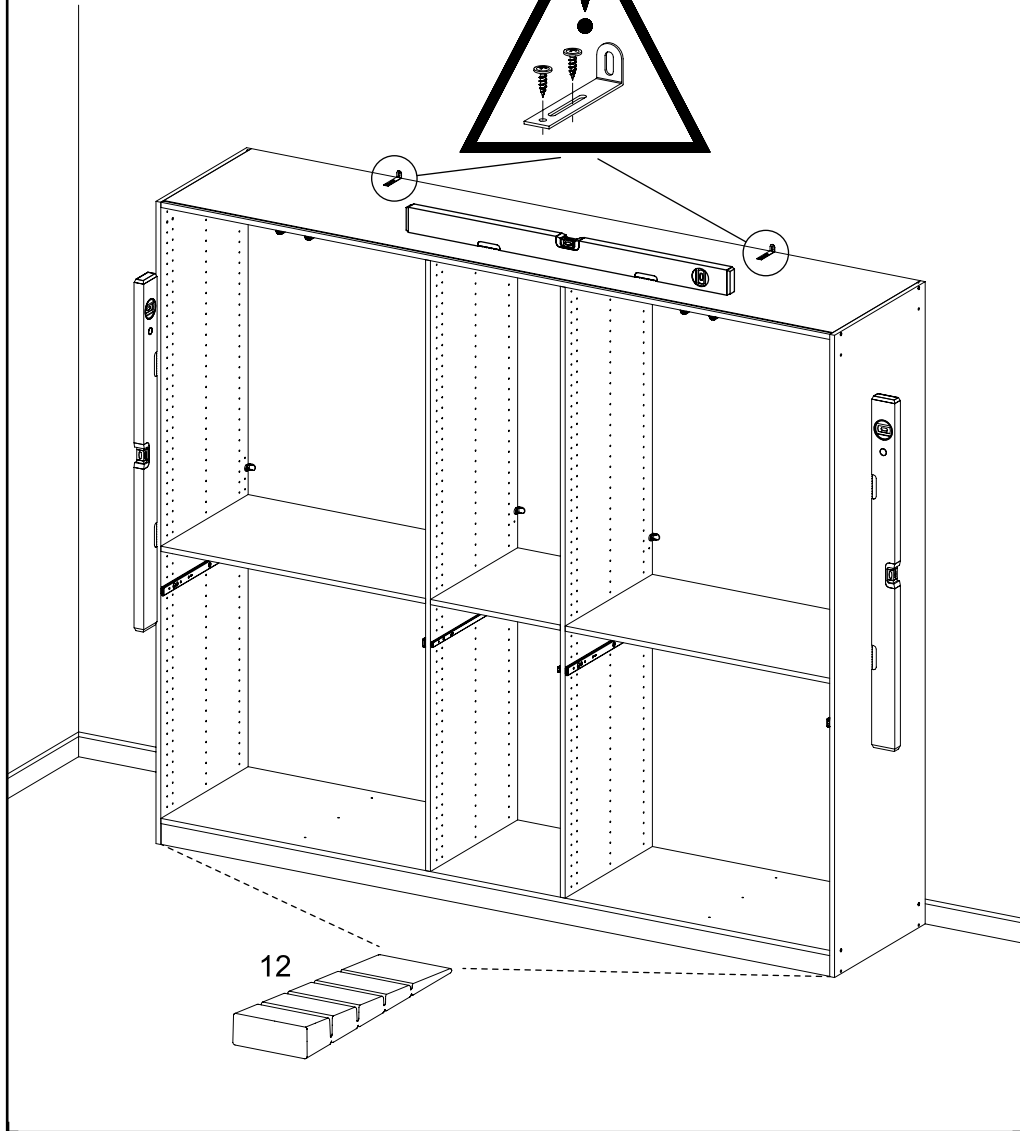
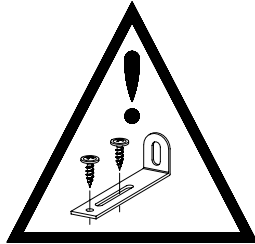
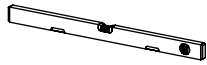
77x22x15



SCAN ME



PZ2

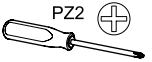


31

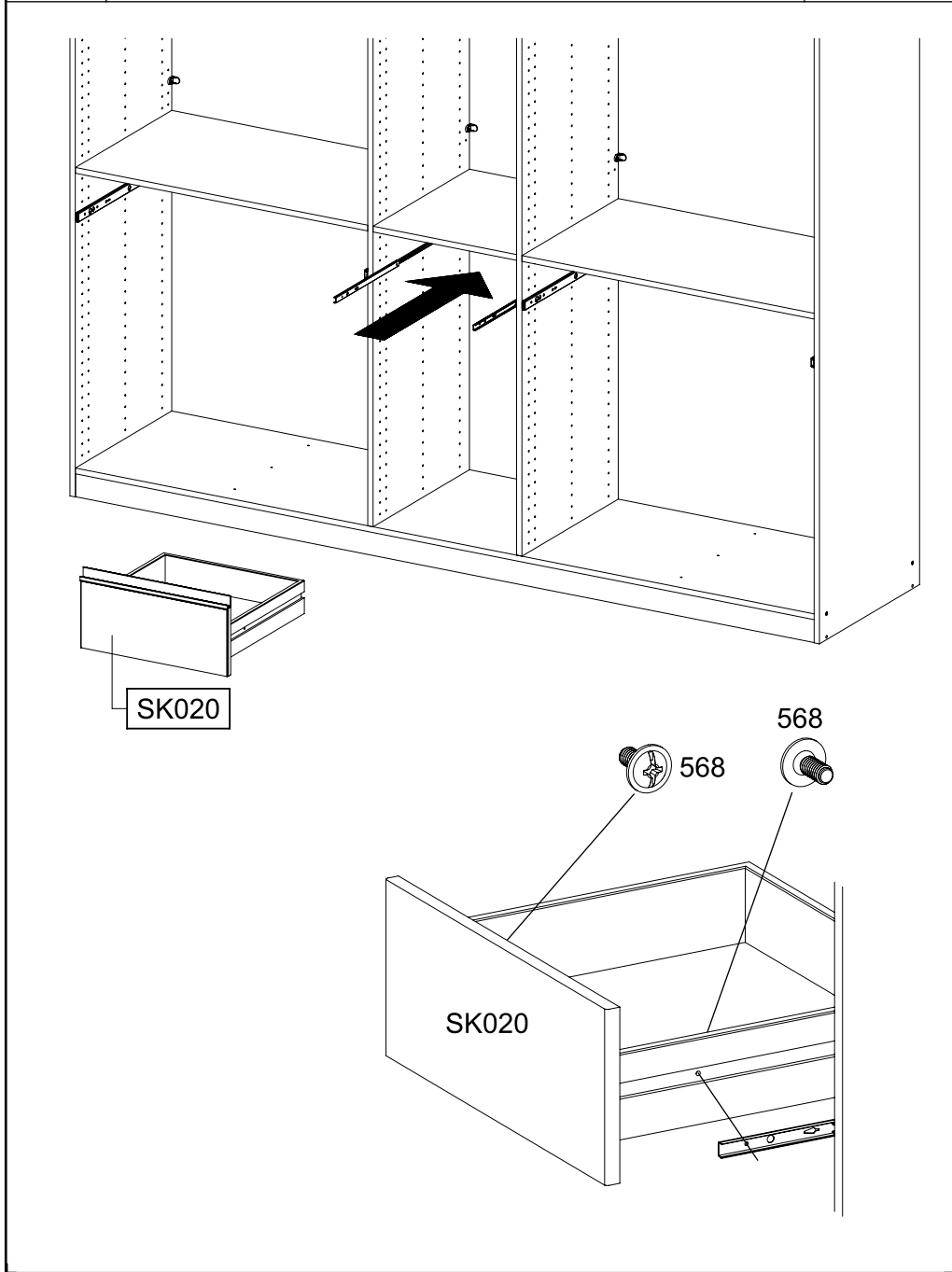
2x

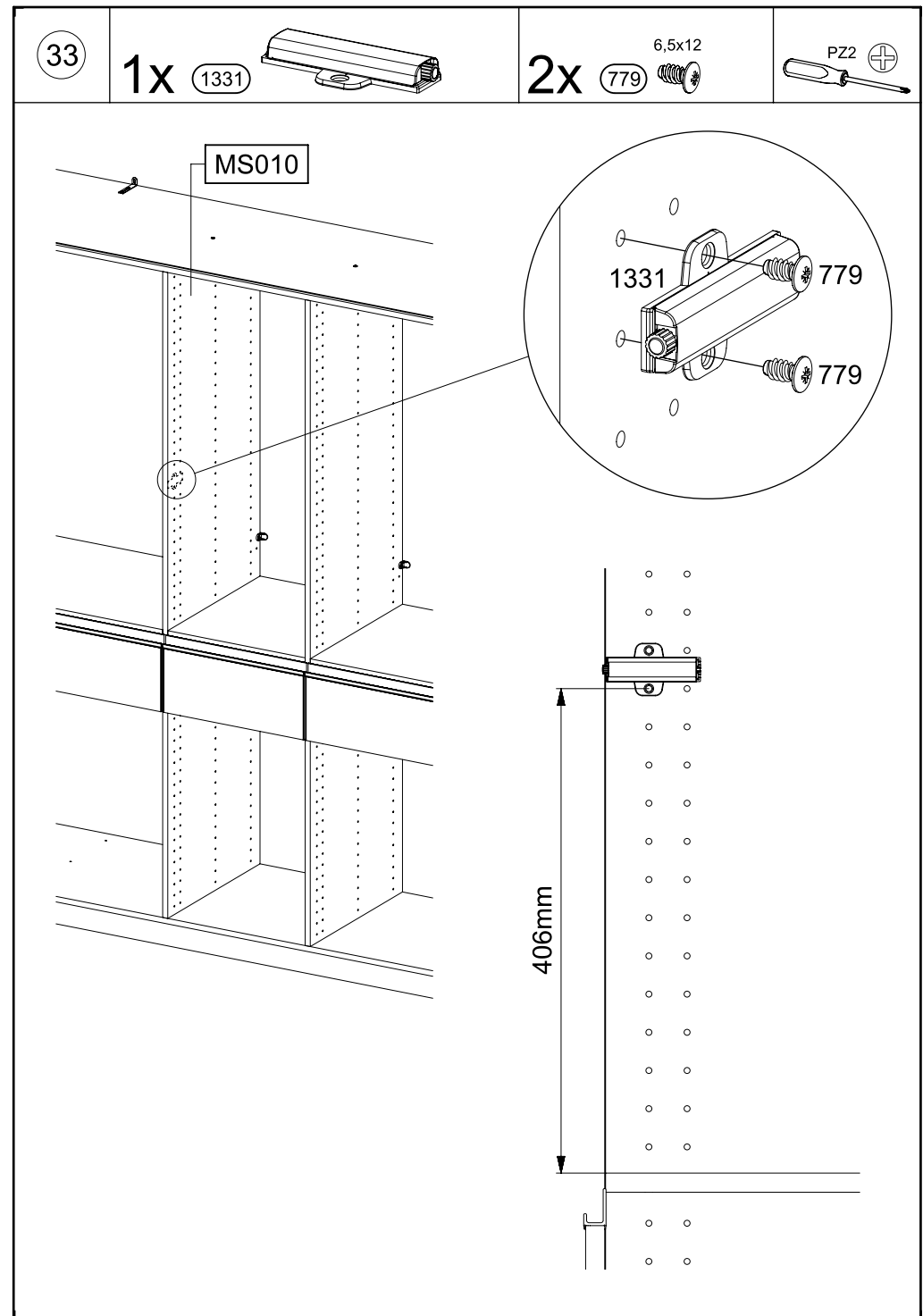
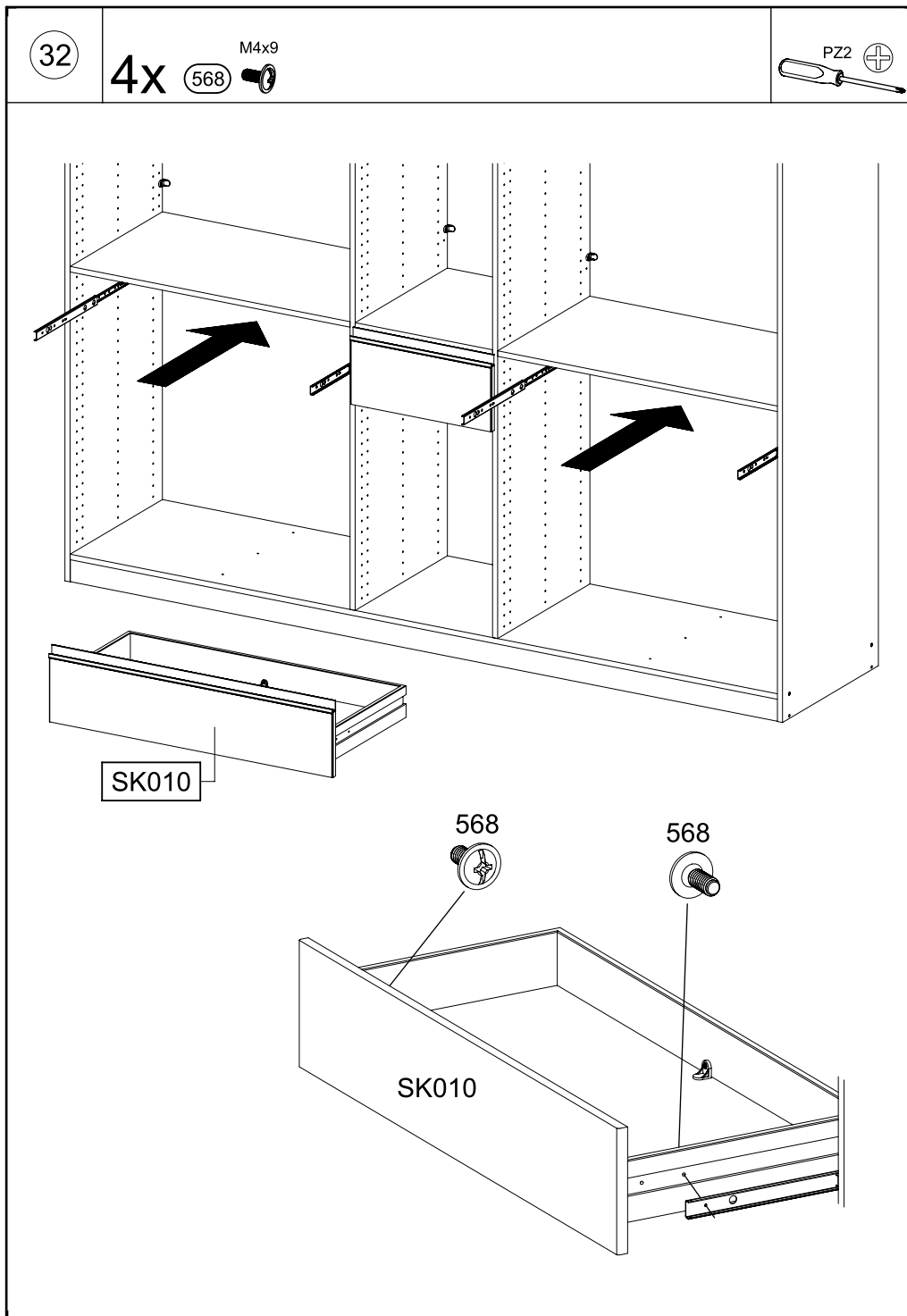
568

M4x9



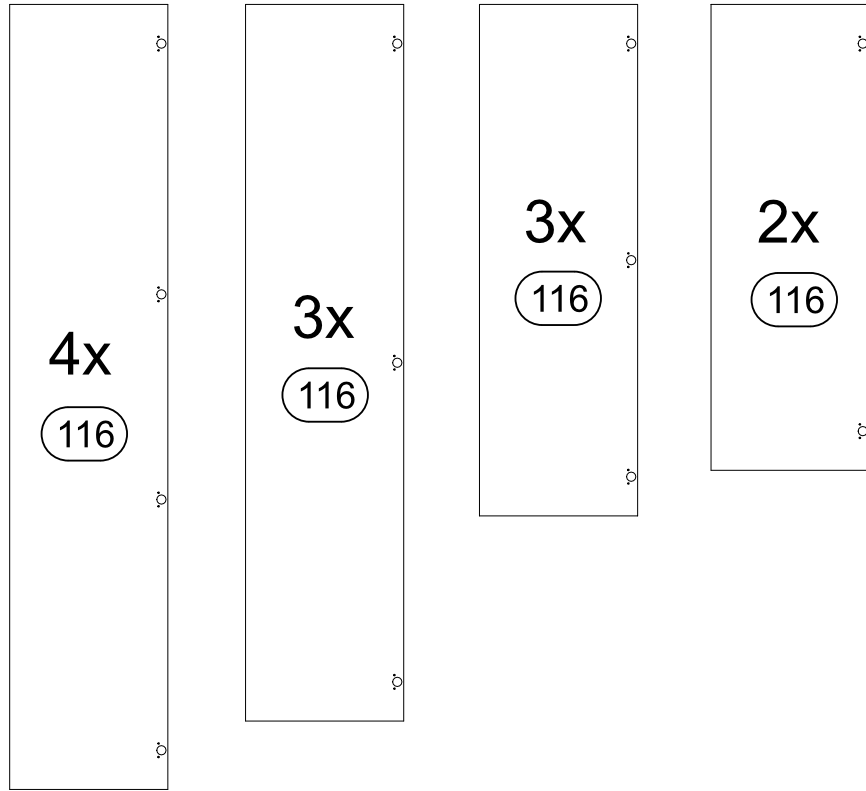
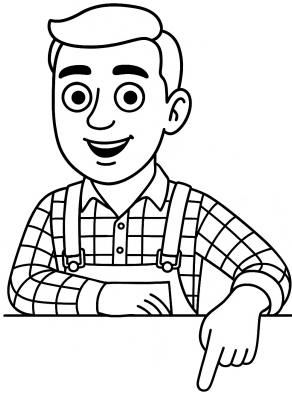
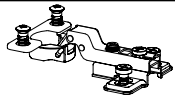
PZ2





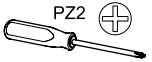
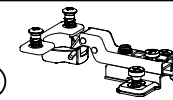
34

116

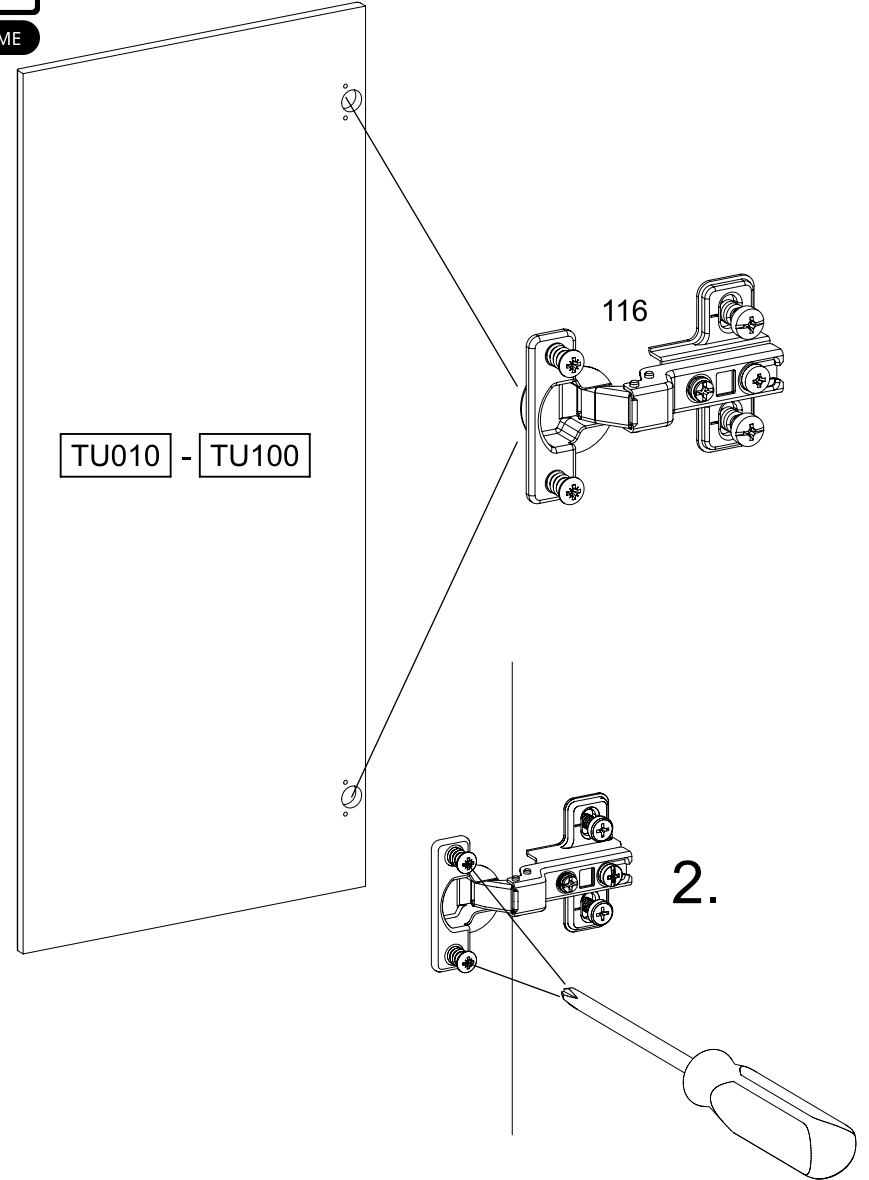


35

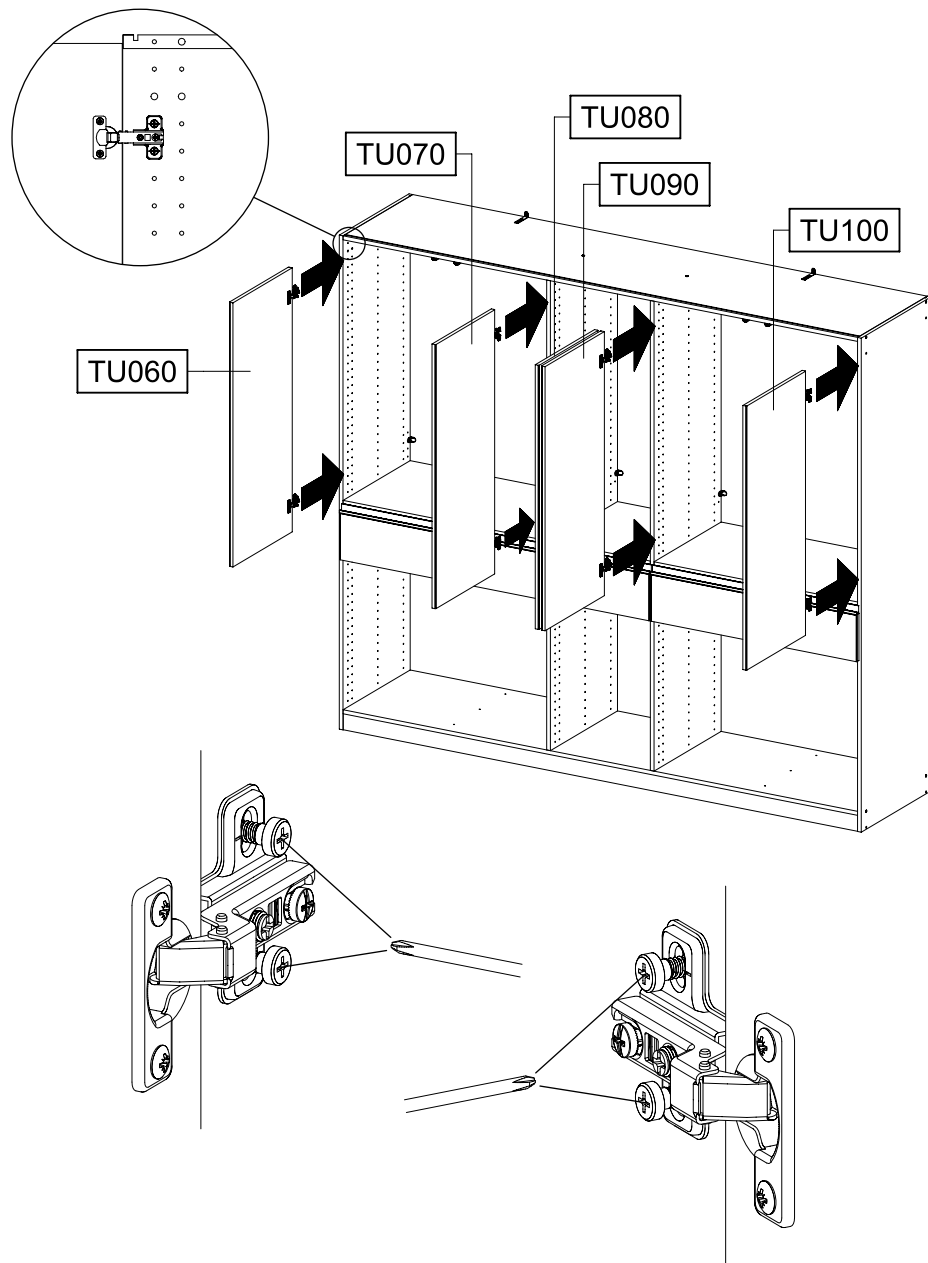
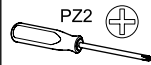
20x-25x 116



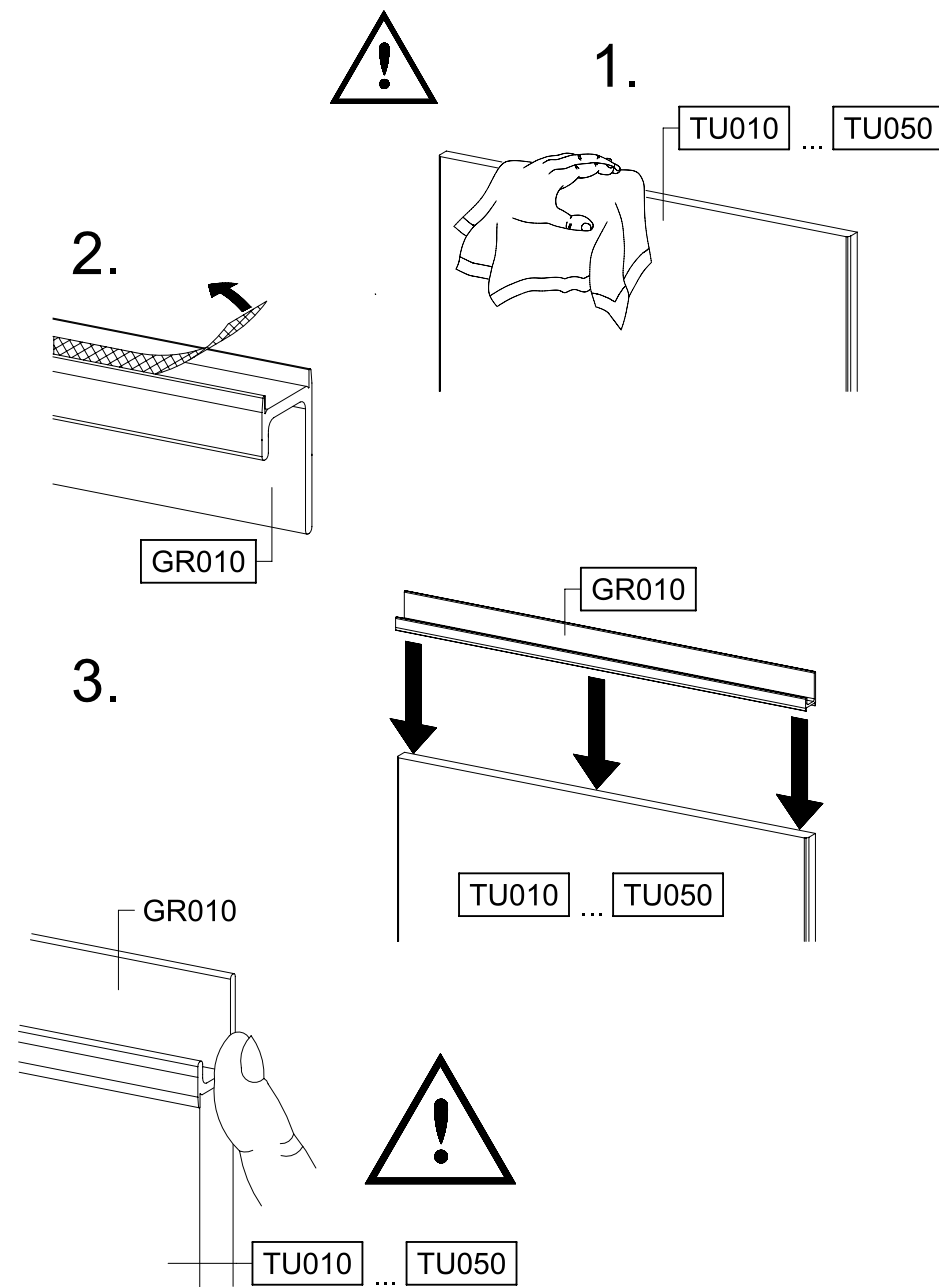
SCAN ME



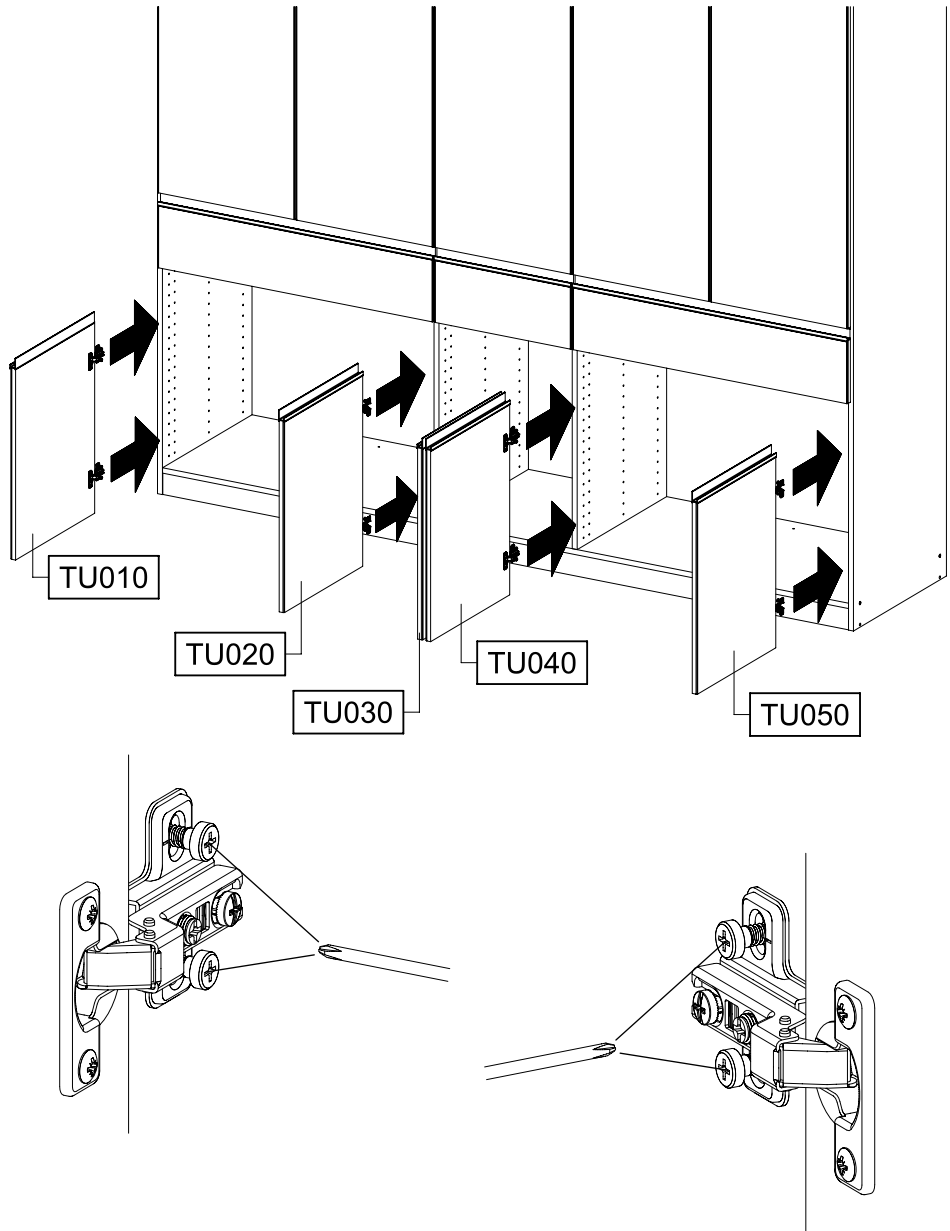
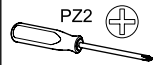
36



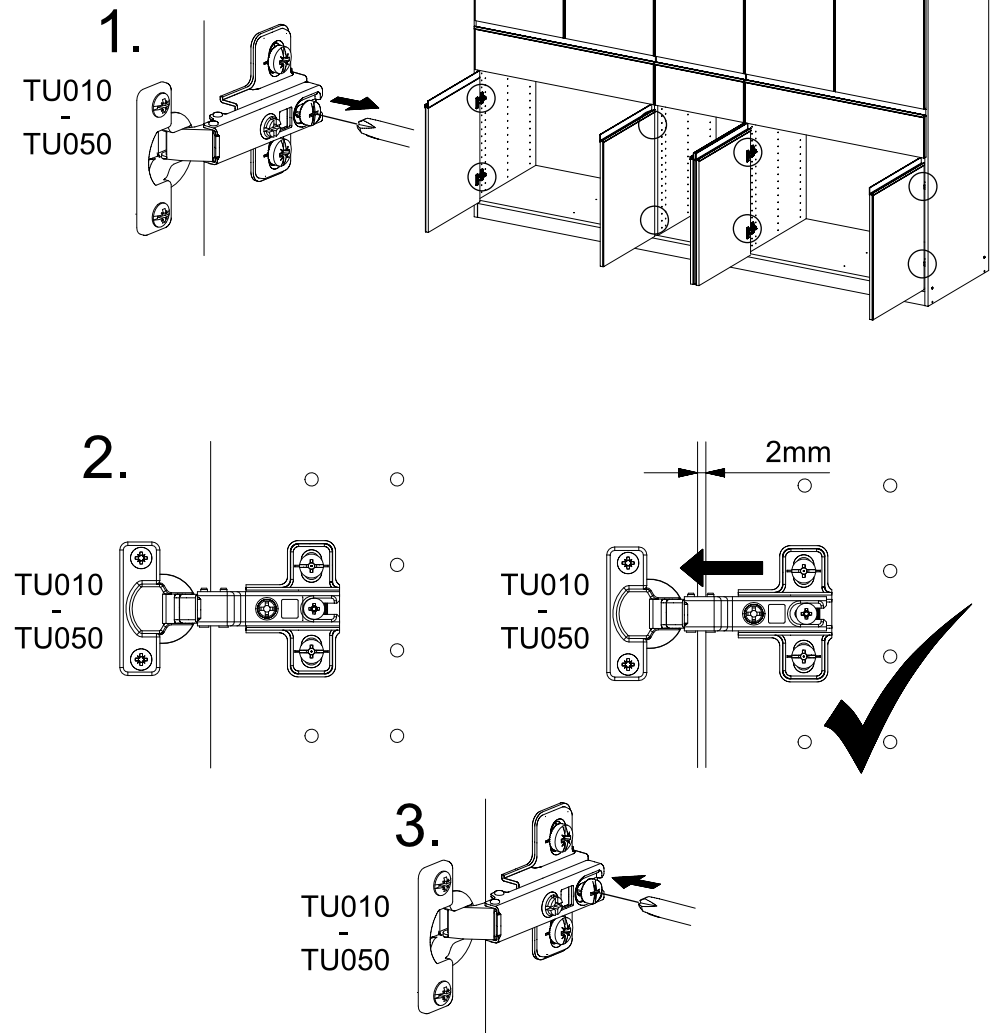
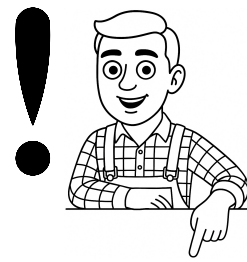
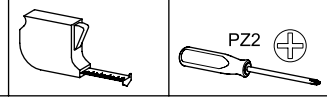
37



38

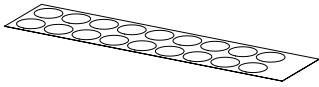


39

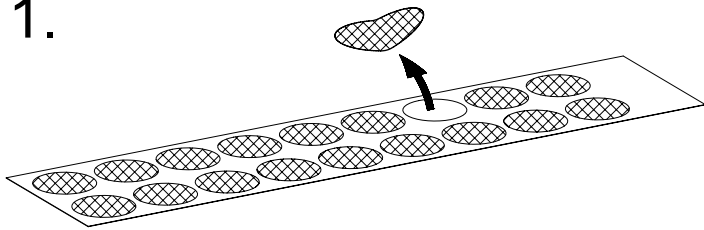


40

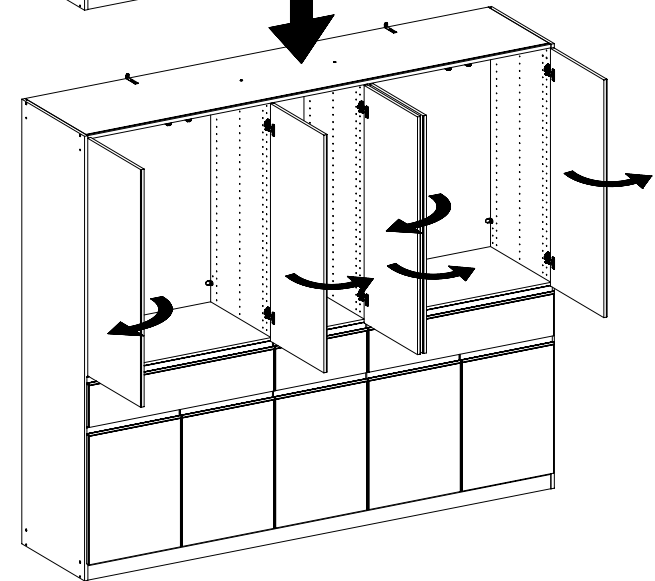
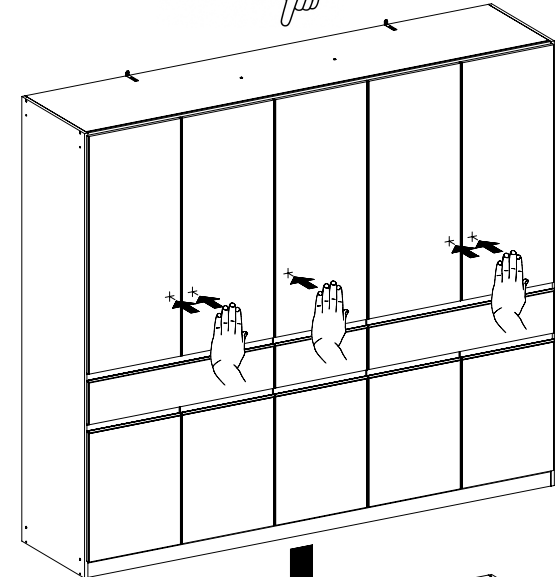
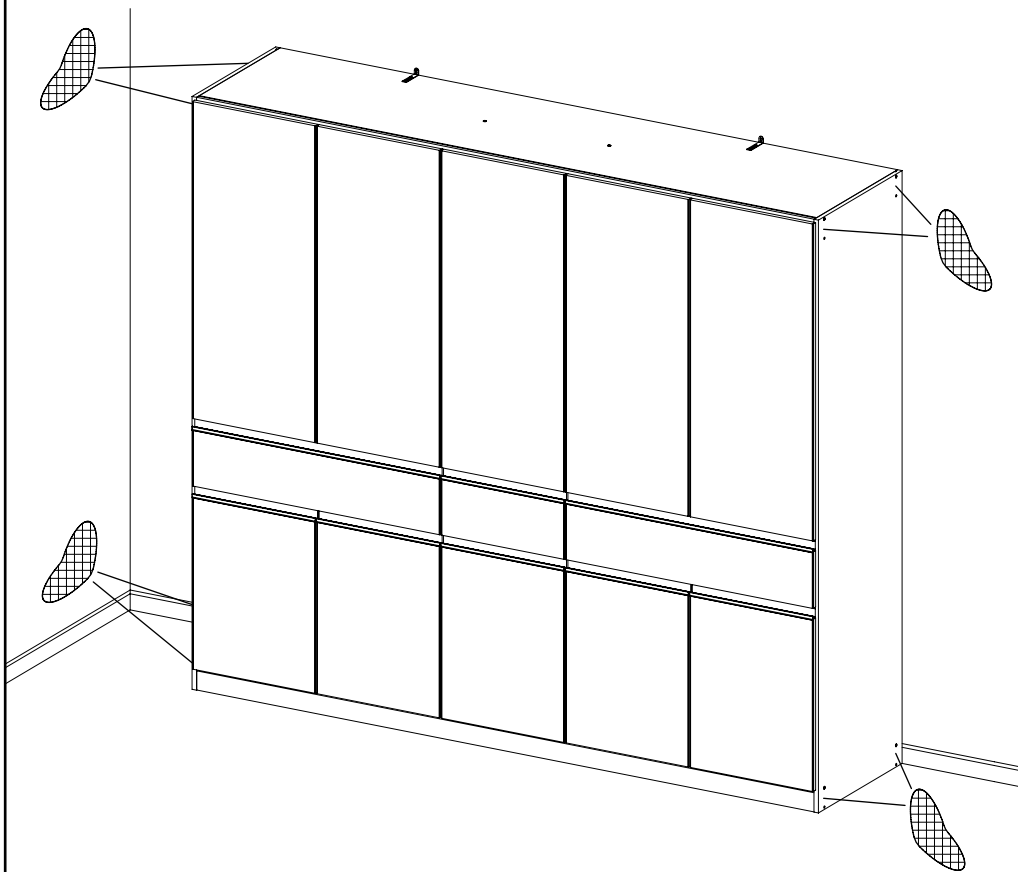
1x RE010



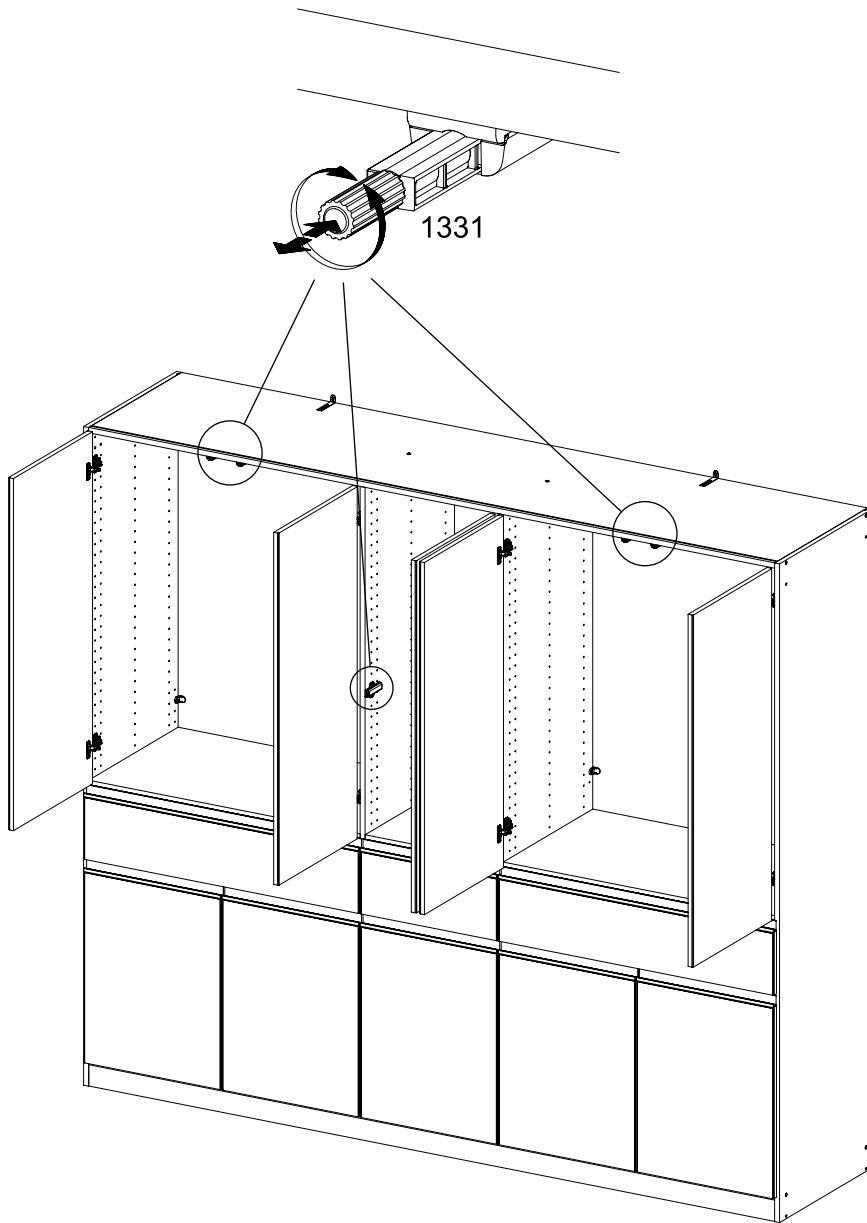
1.



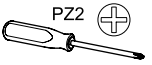
2.



41



42



SCAN ME

