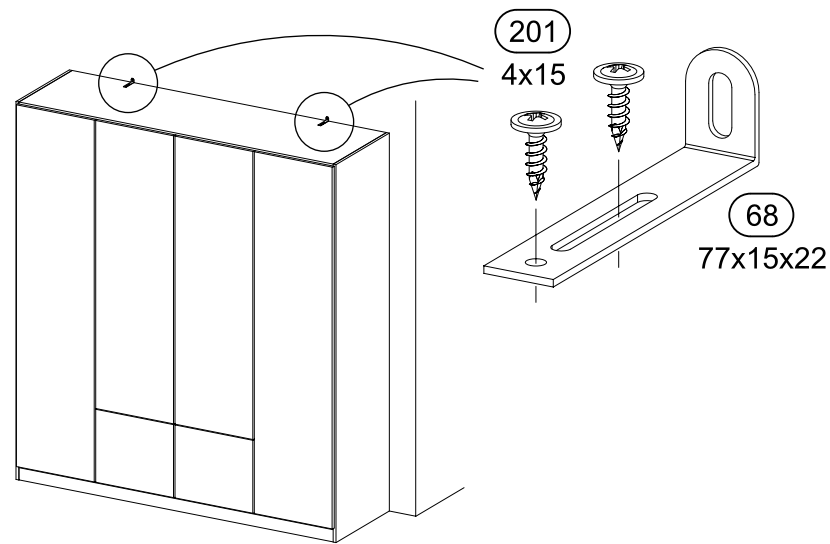
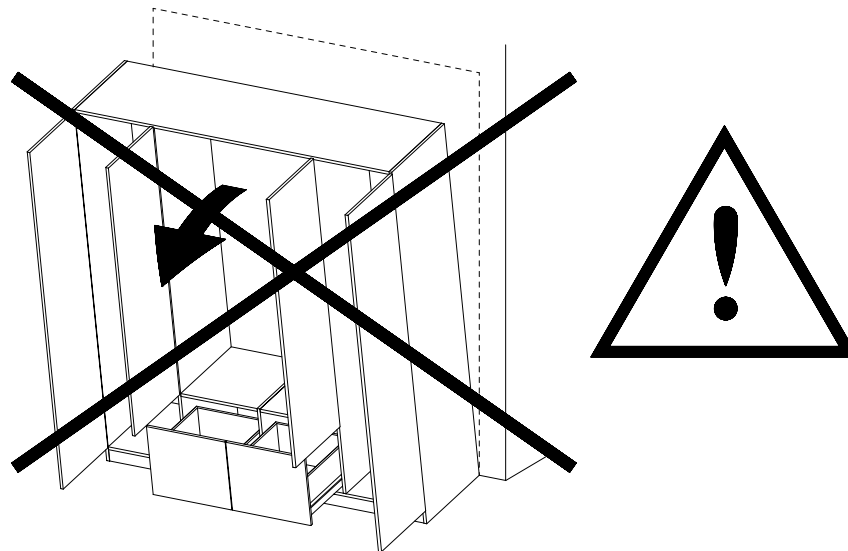
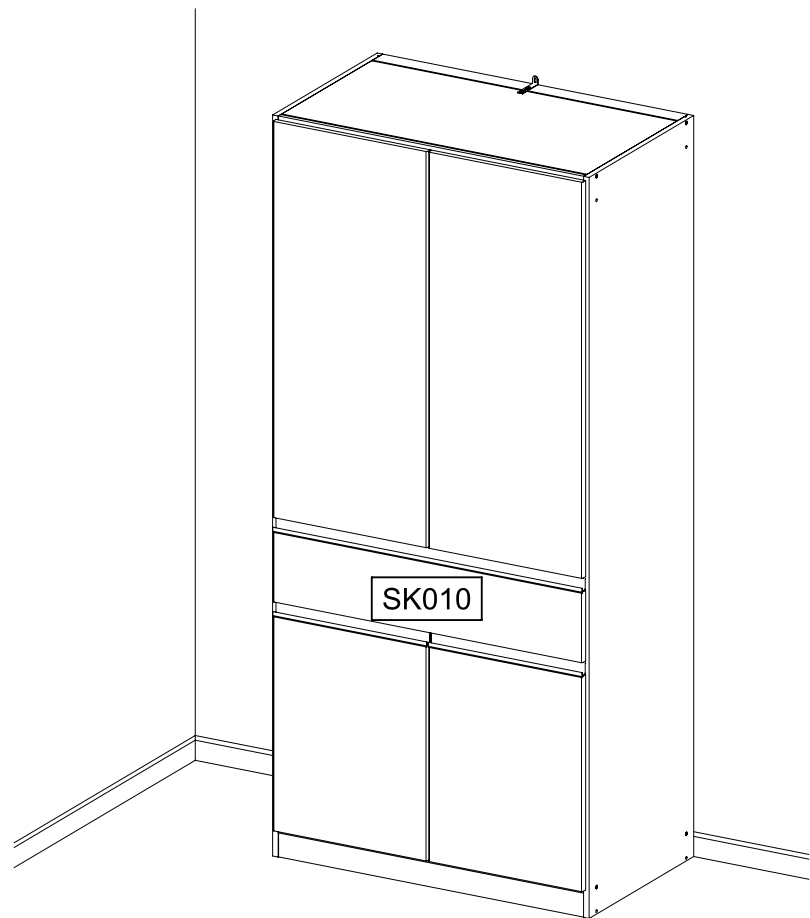
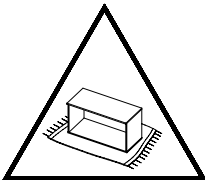
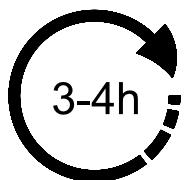
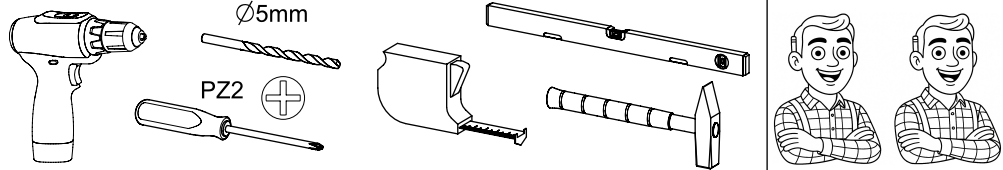


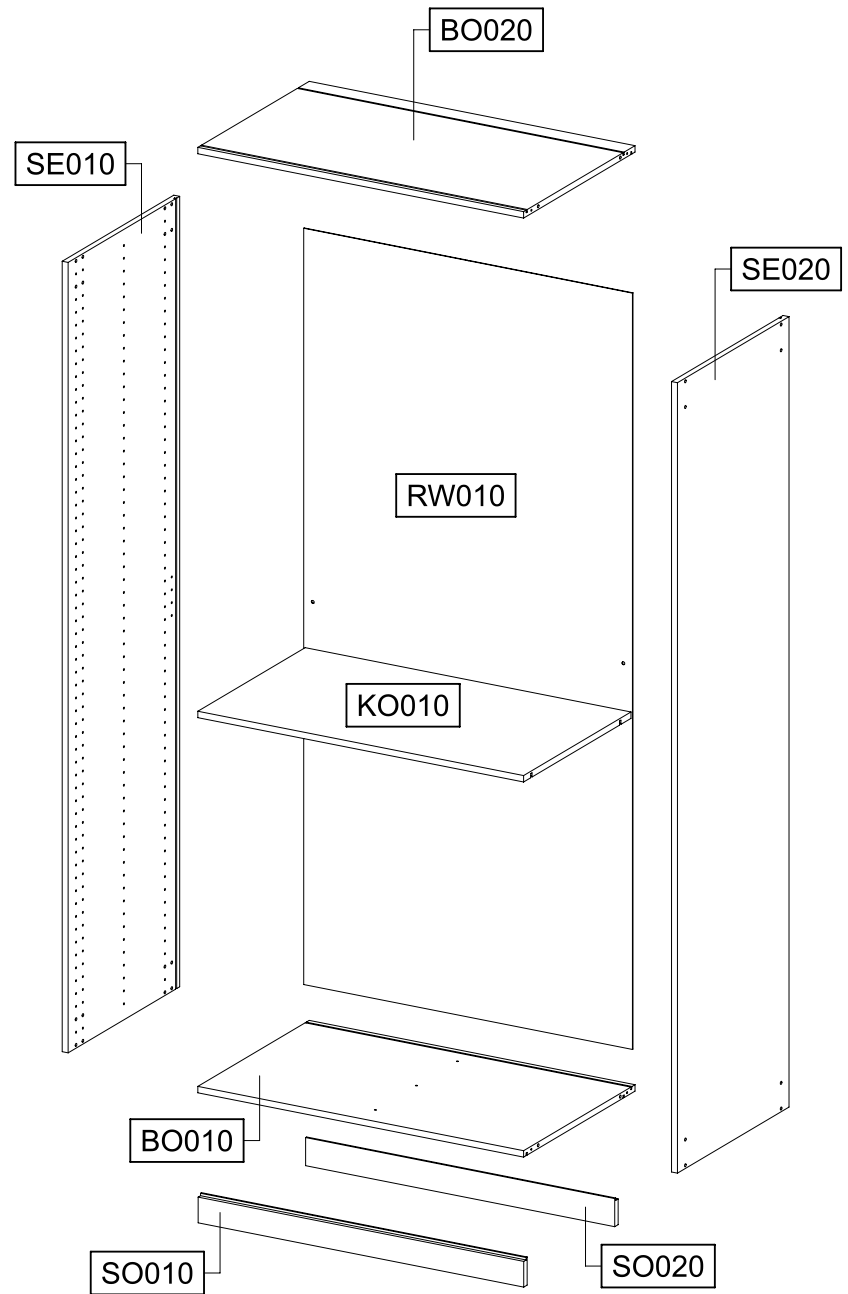
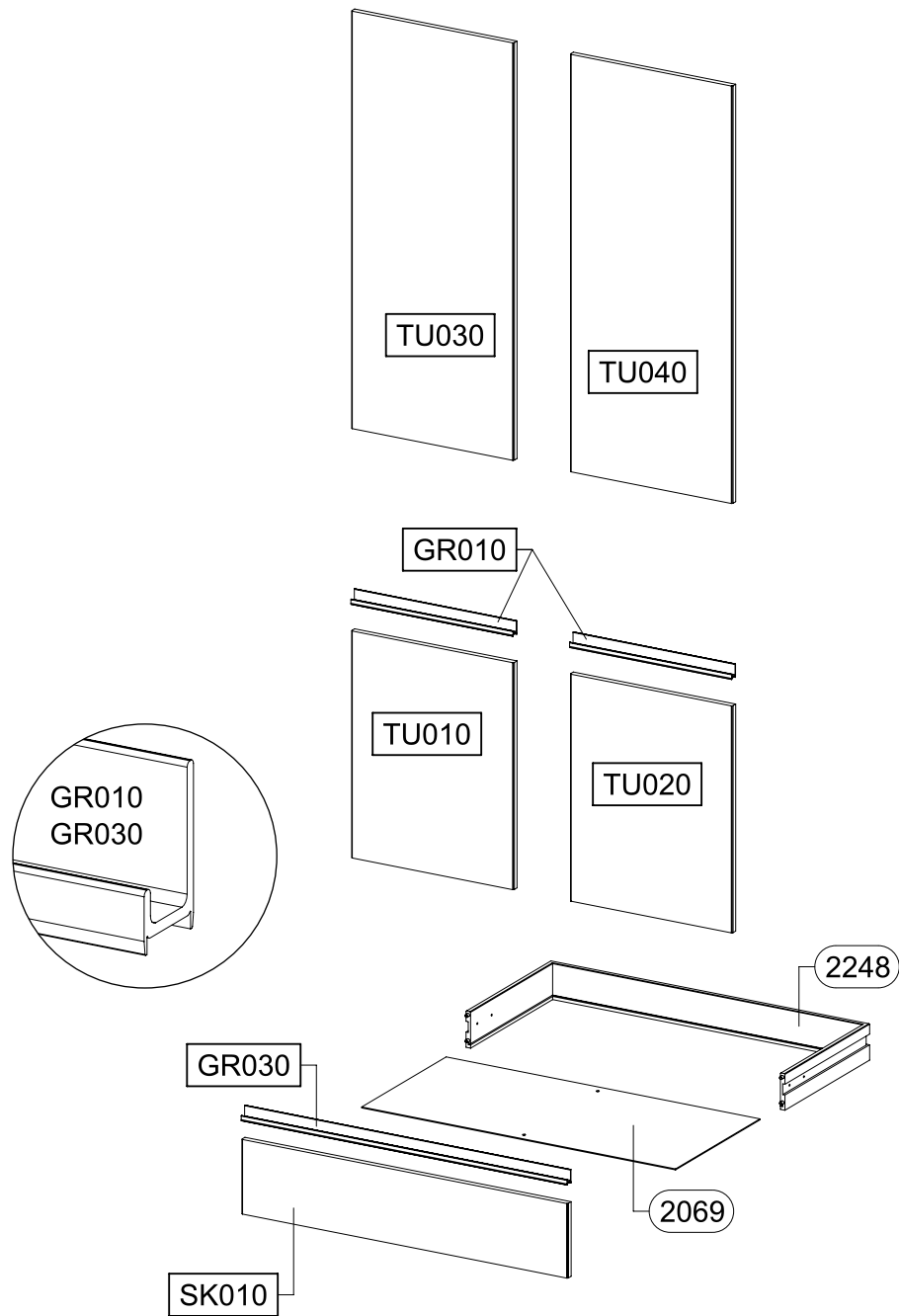
# M3218\_01

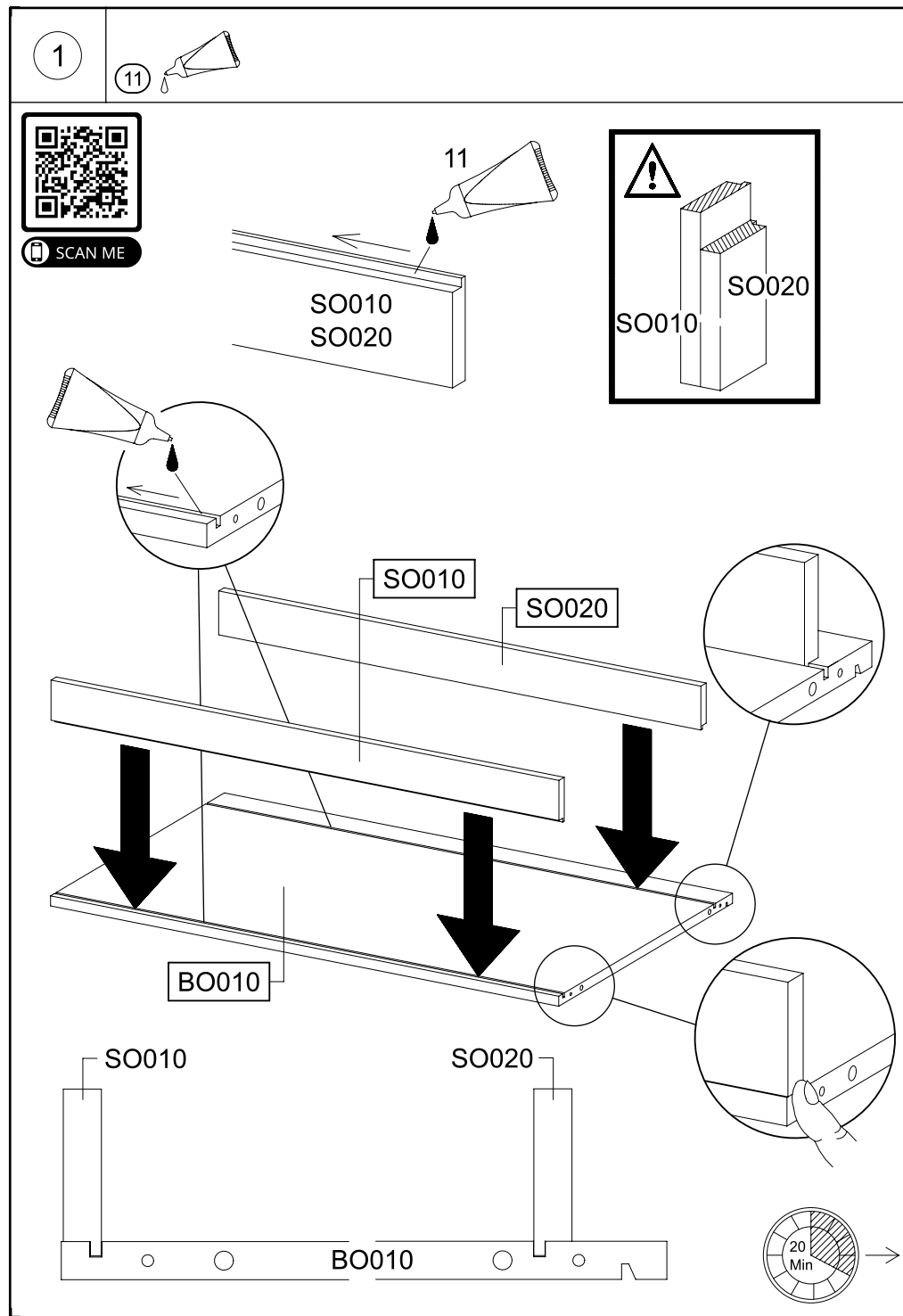
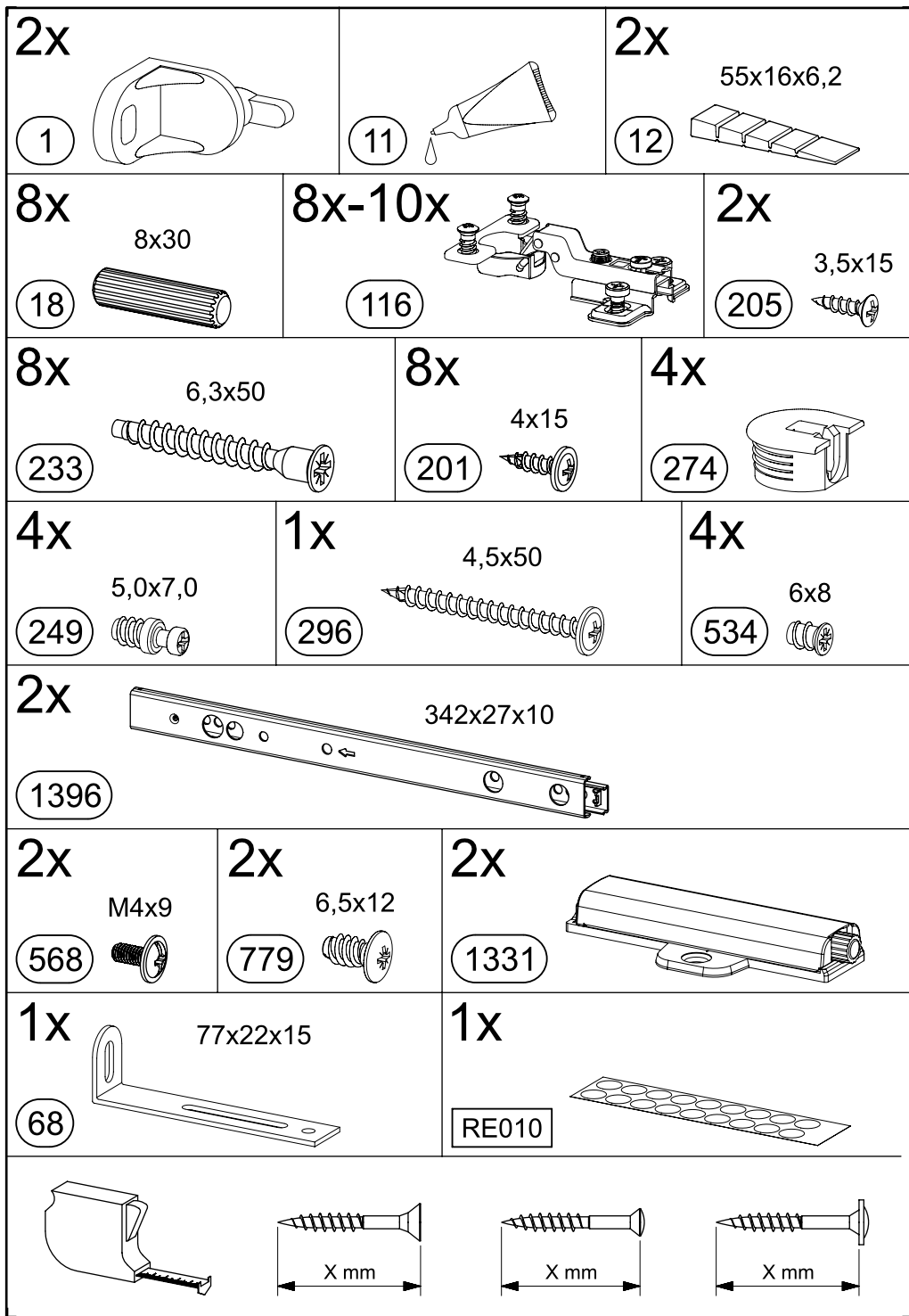


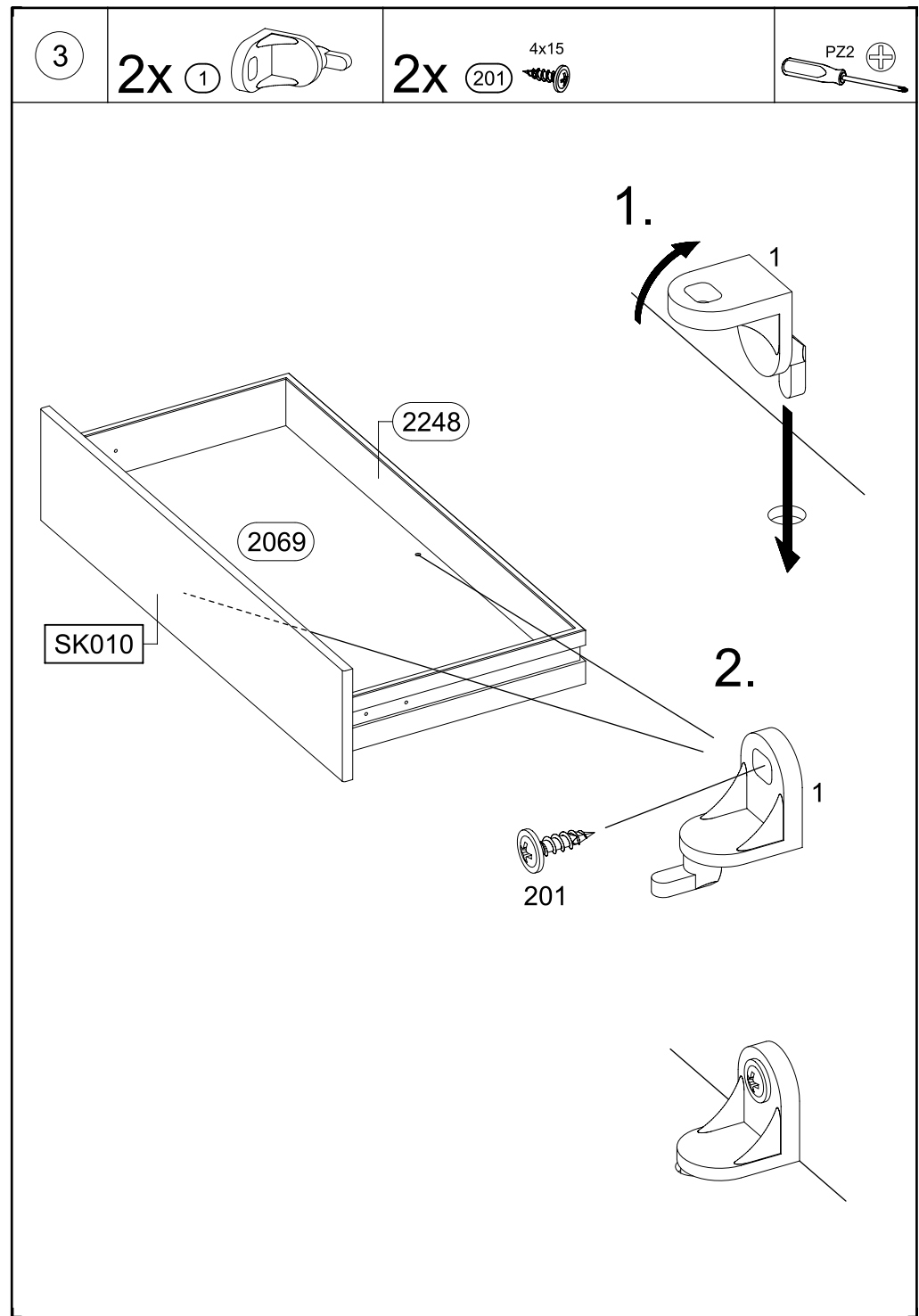
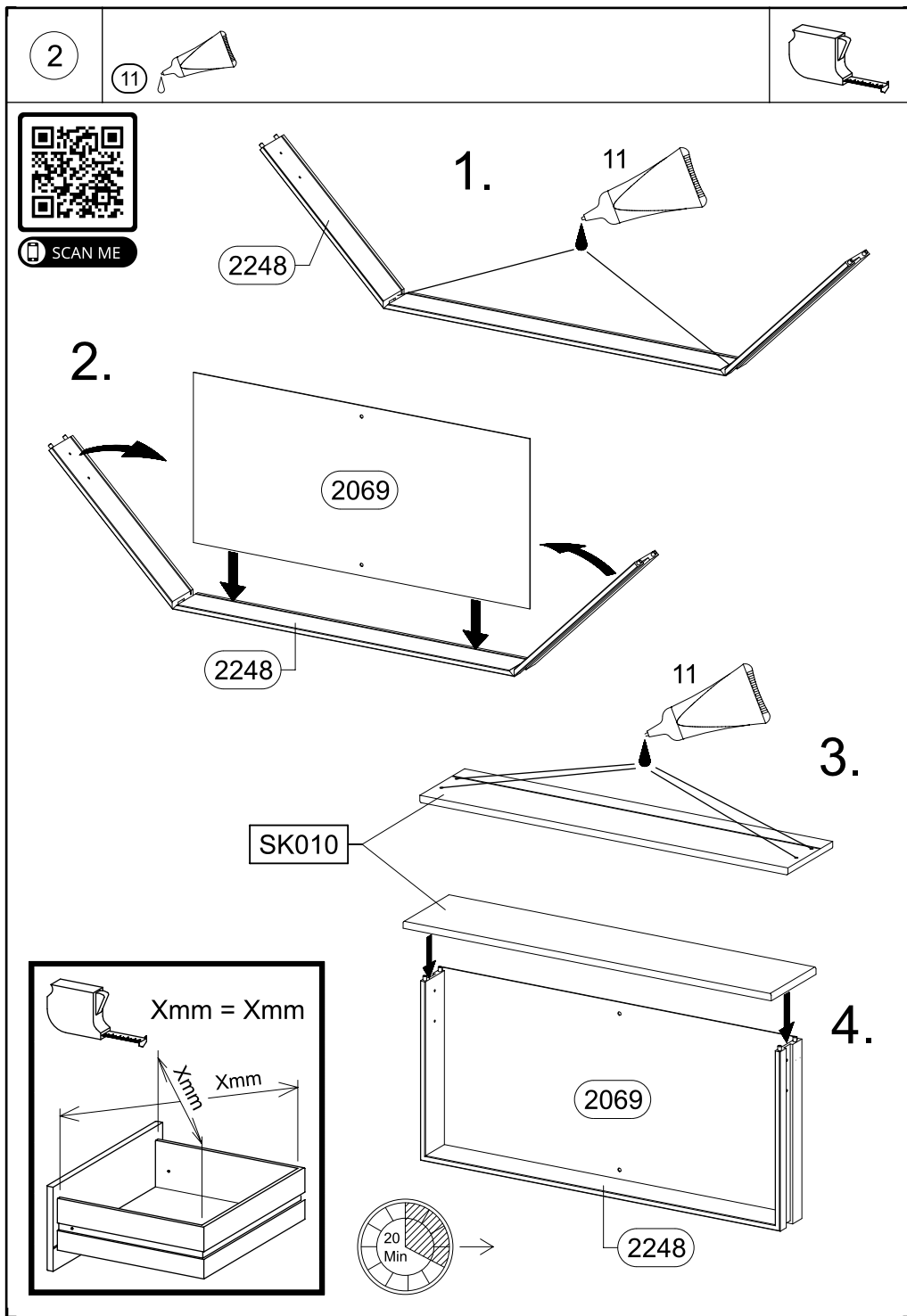
VIDEO

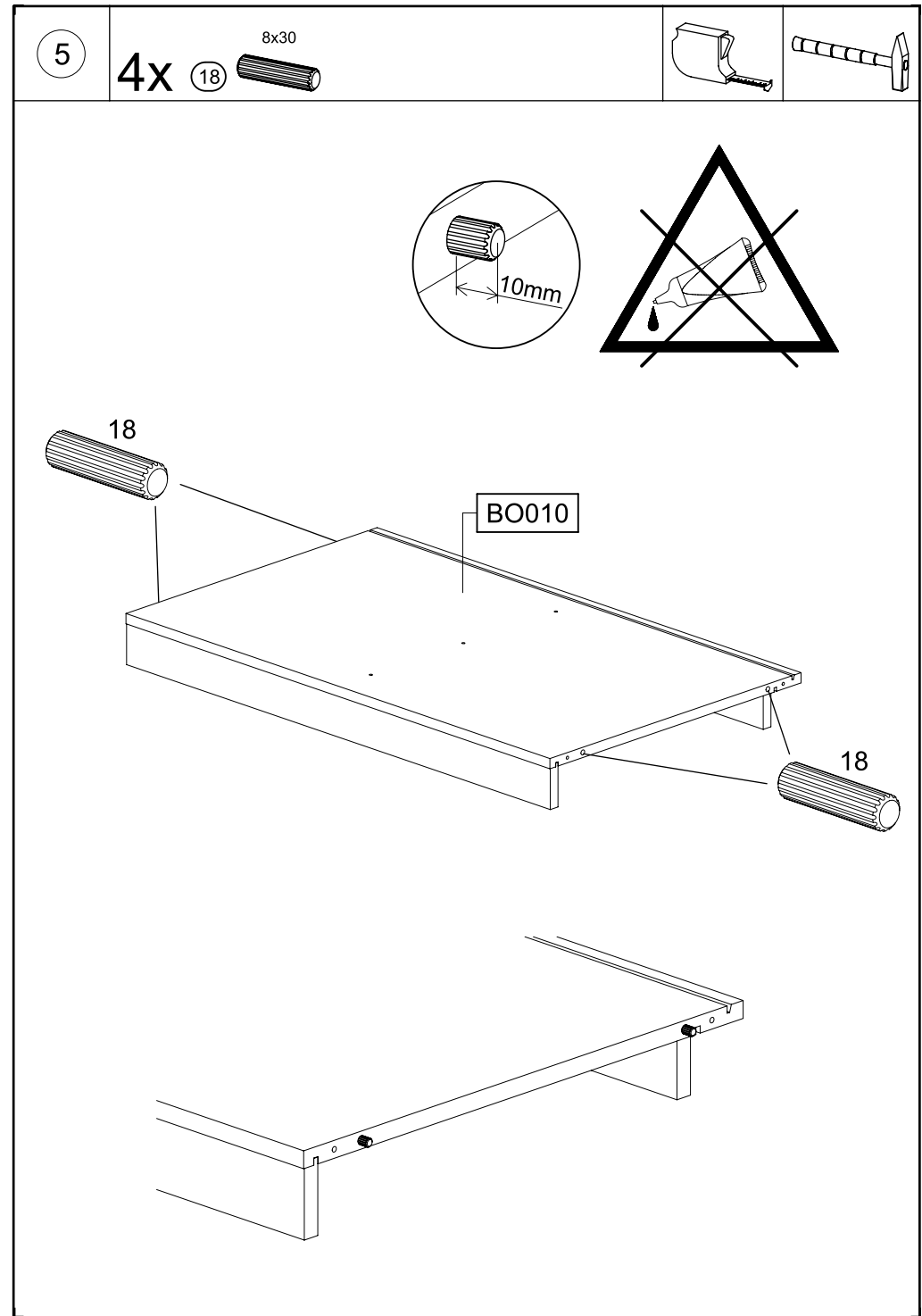
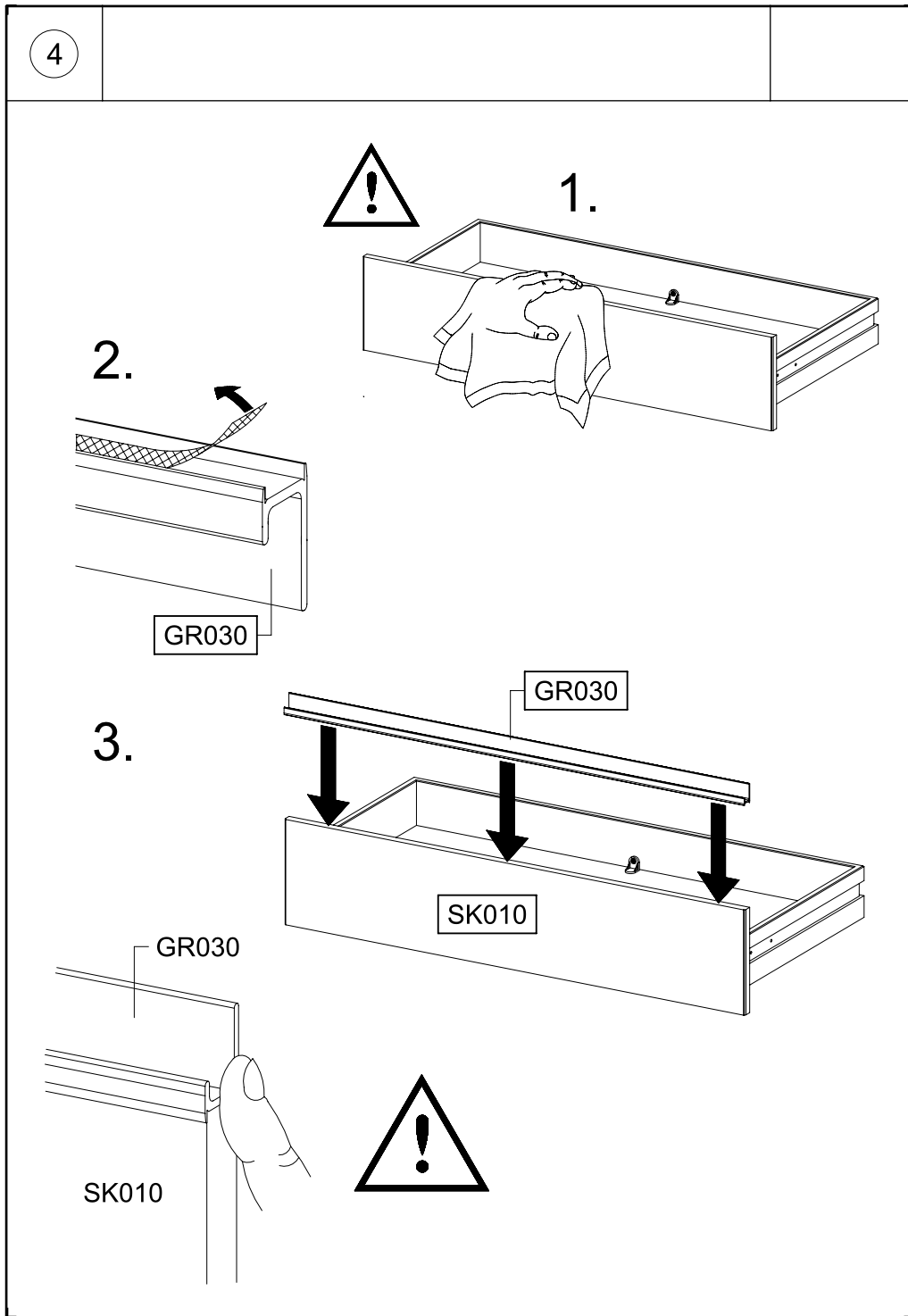


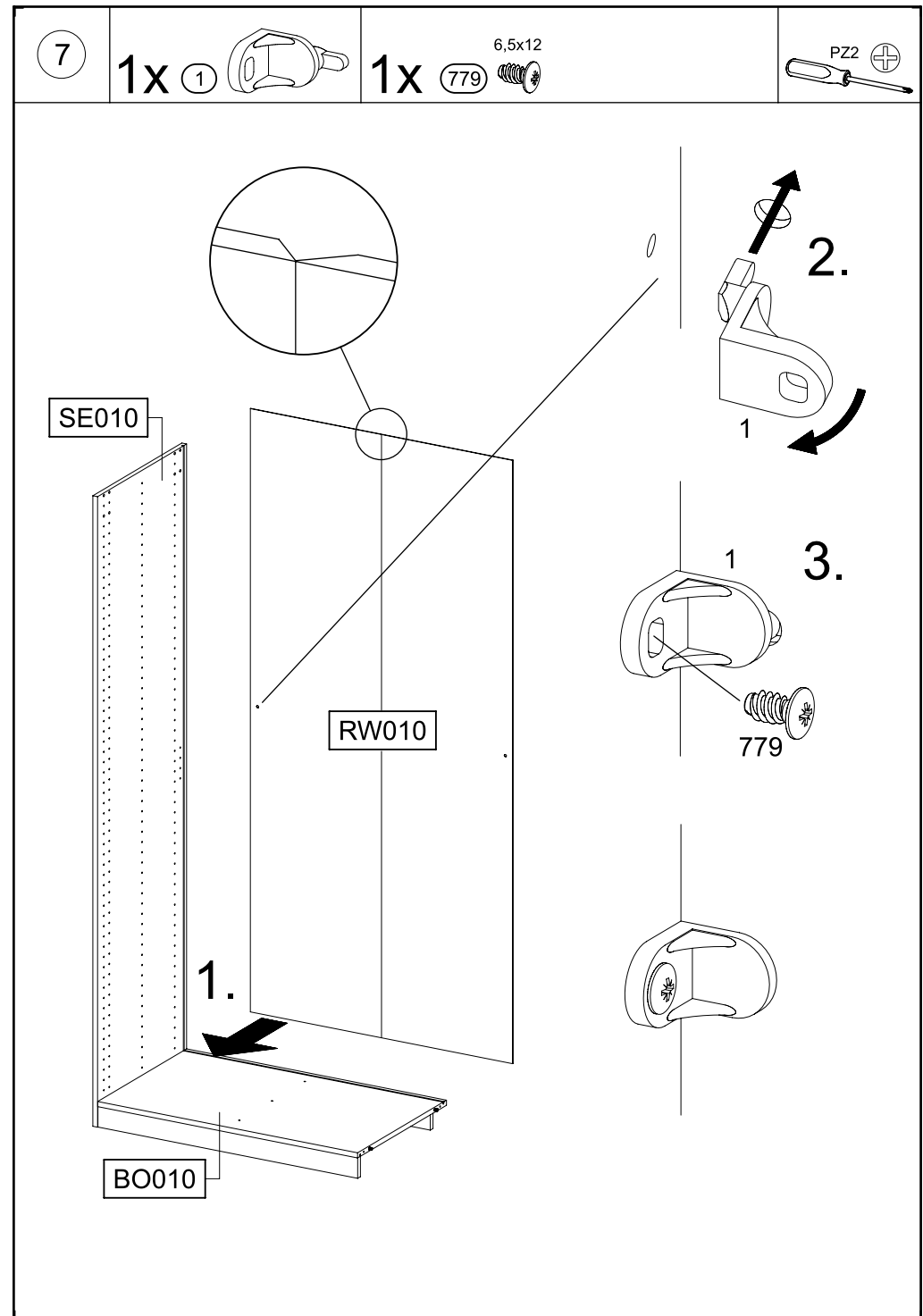
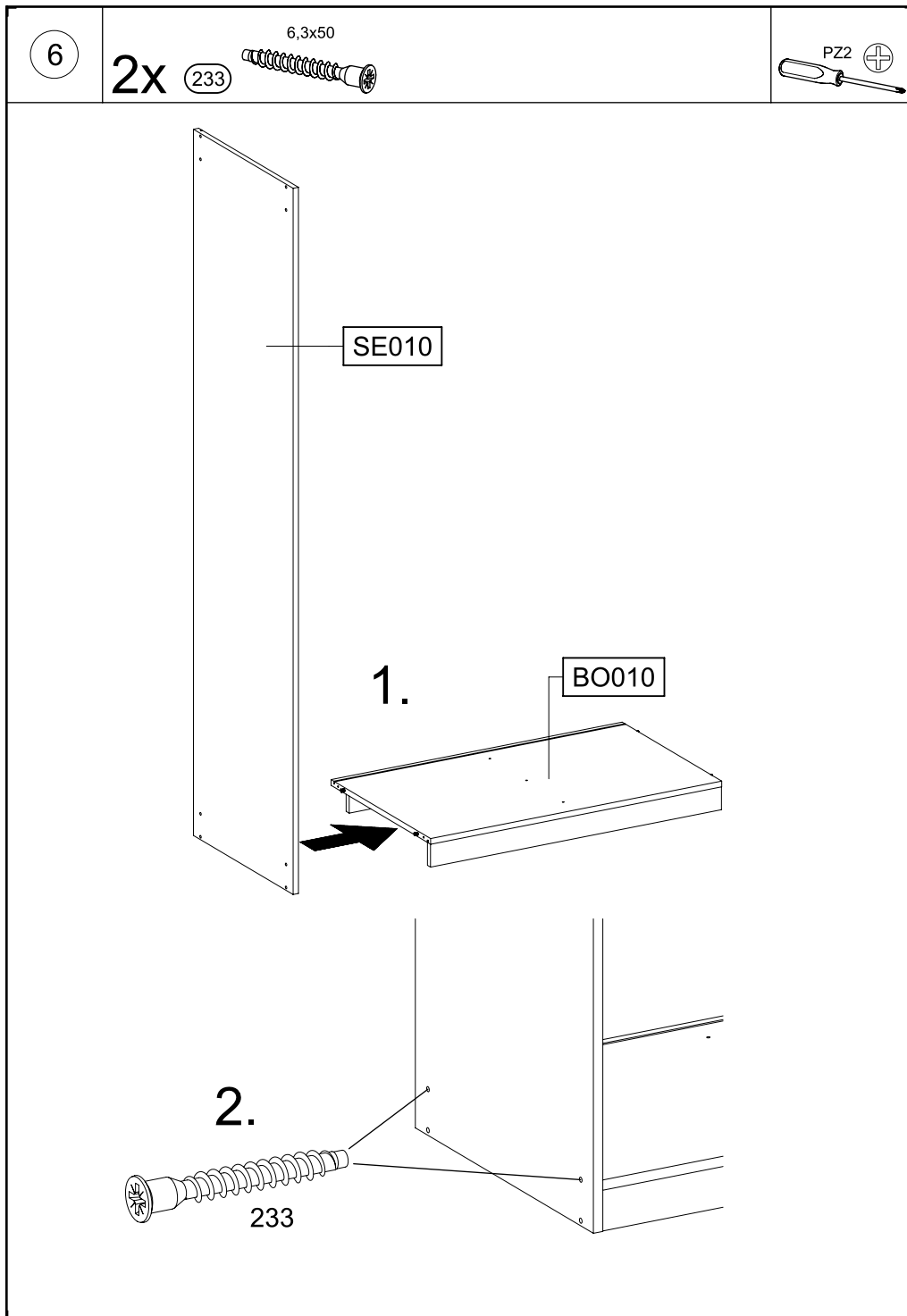
SCAN ME

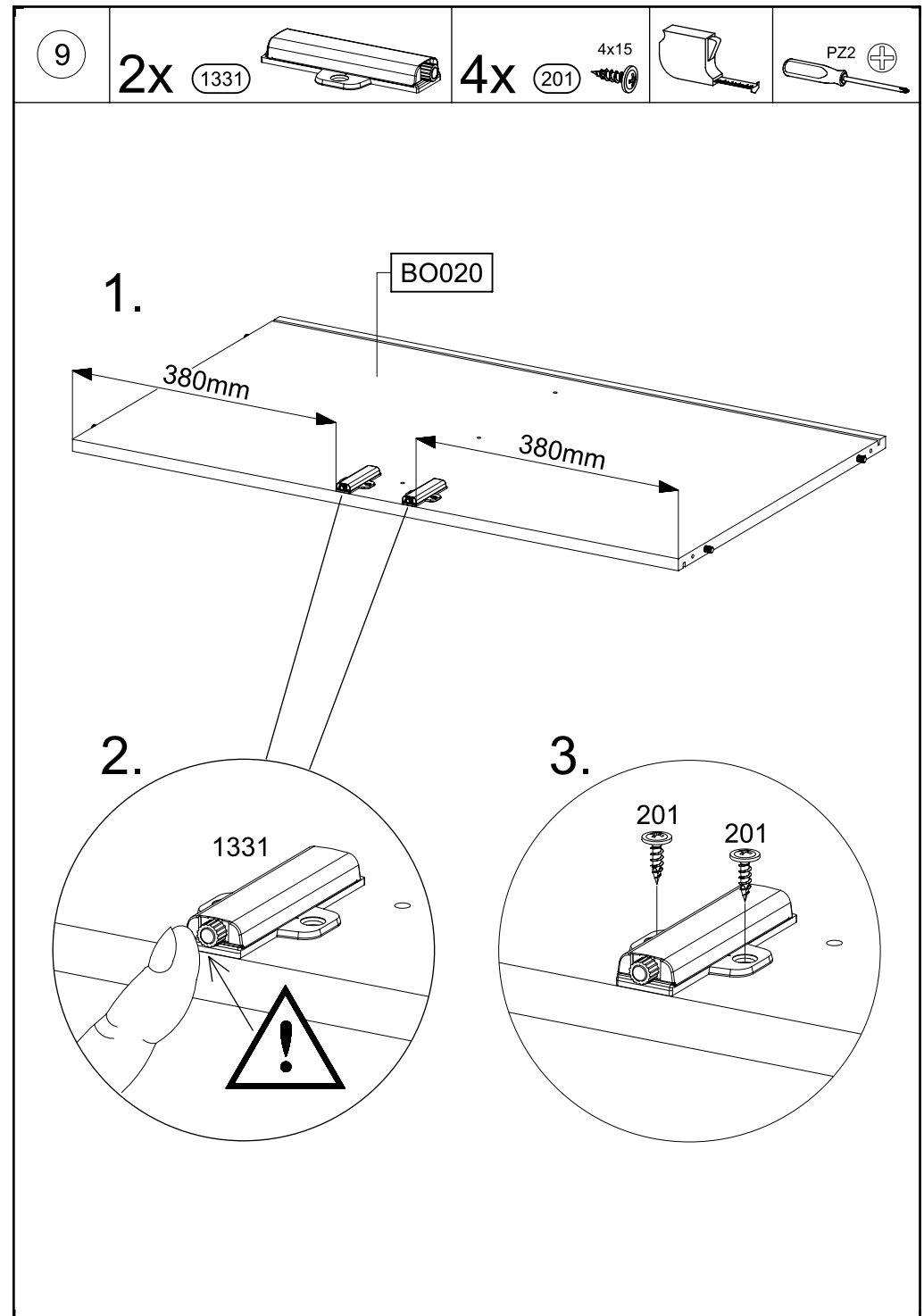
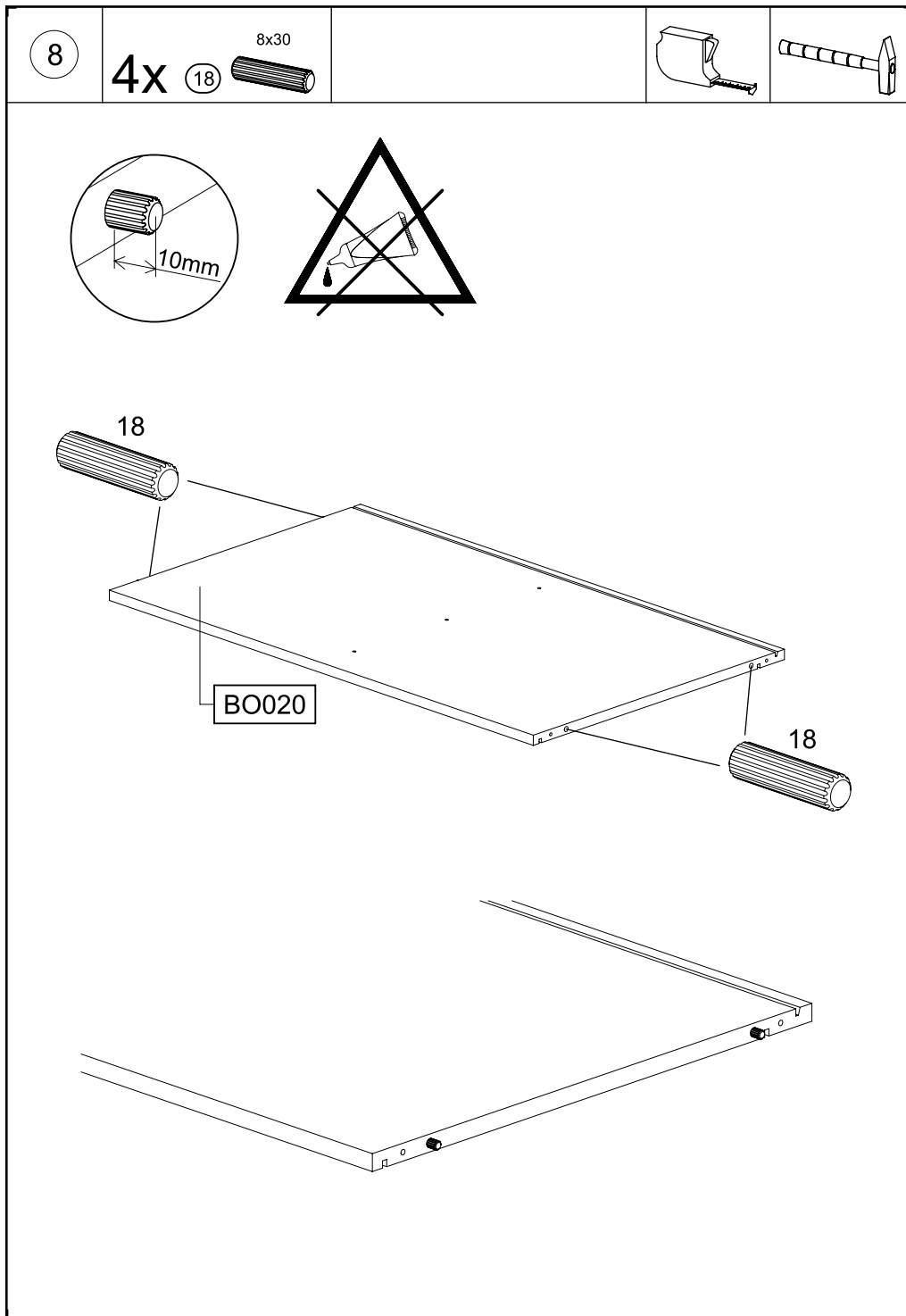


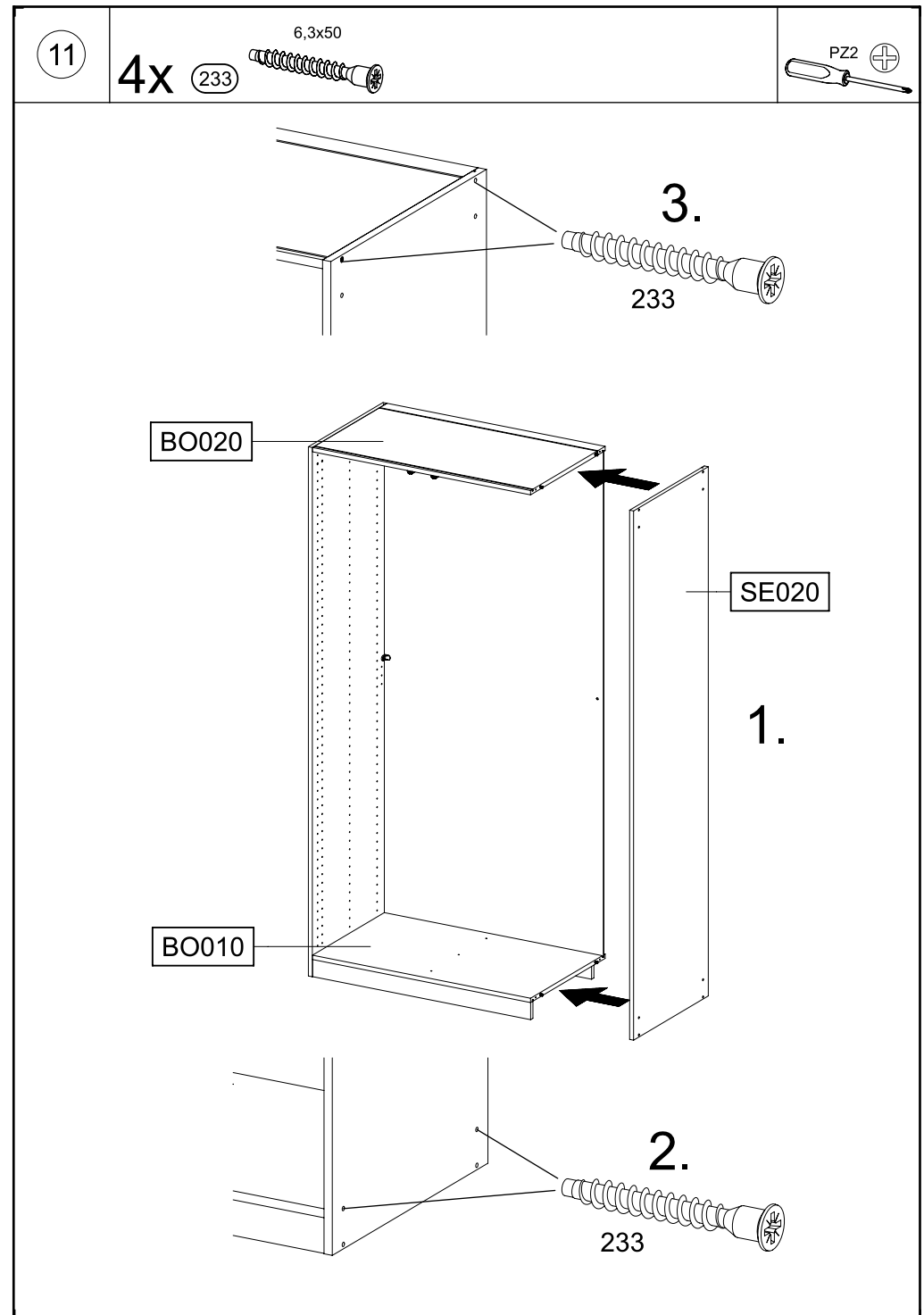
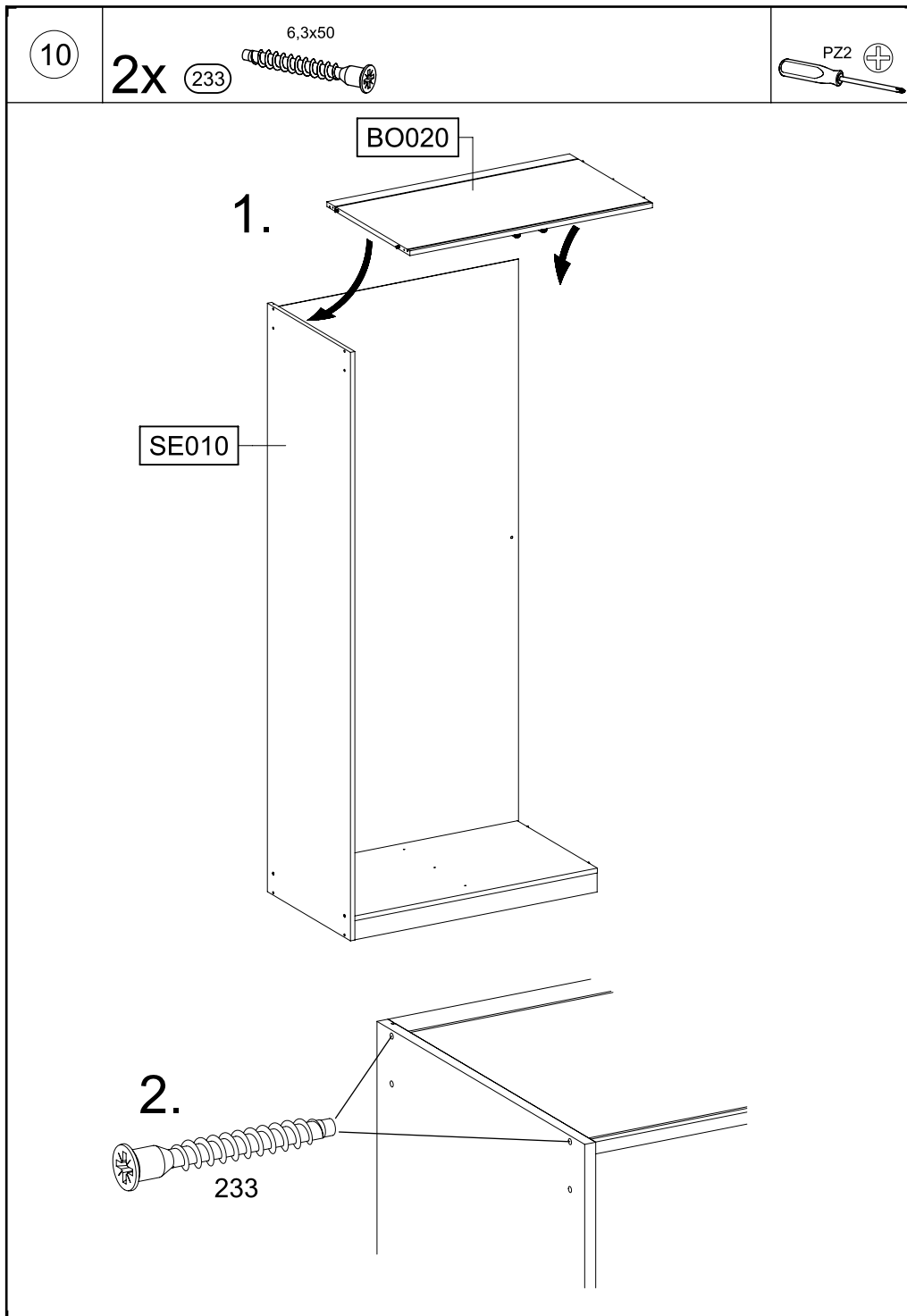






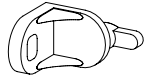






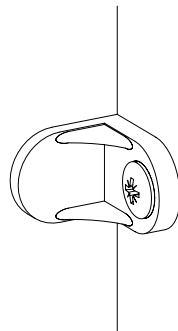
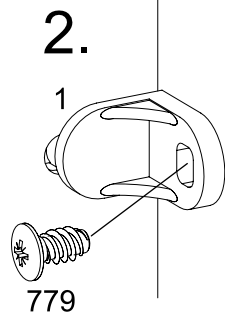
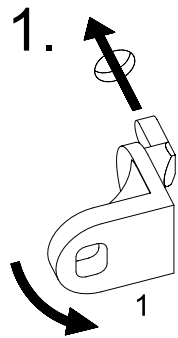
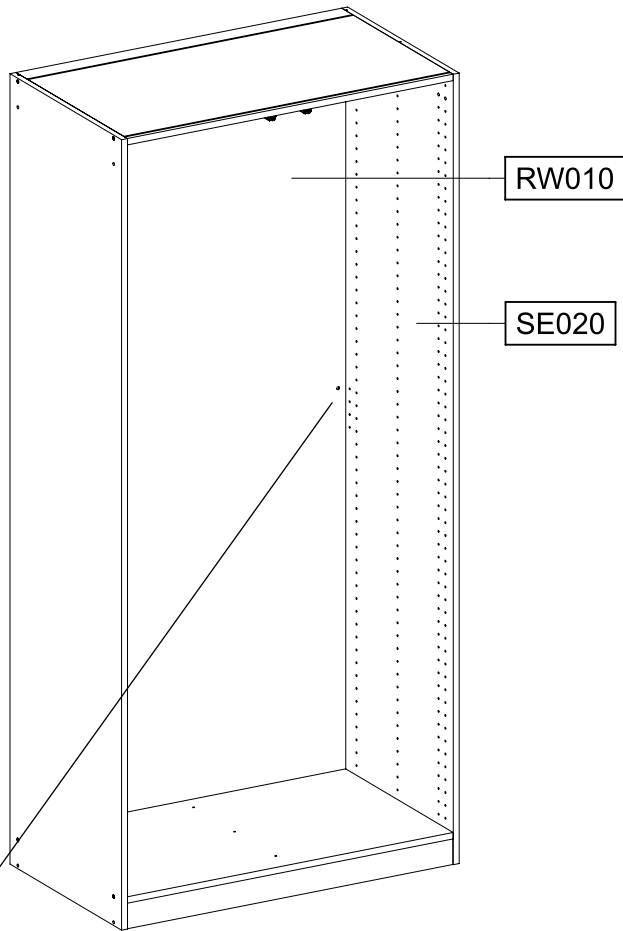
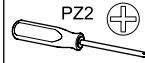
12

1x 1



1x 779

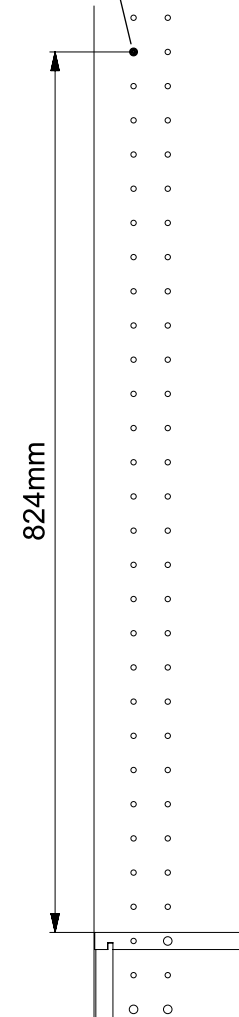
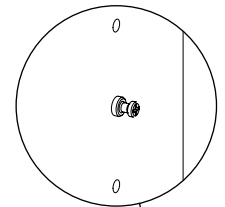
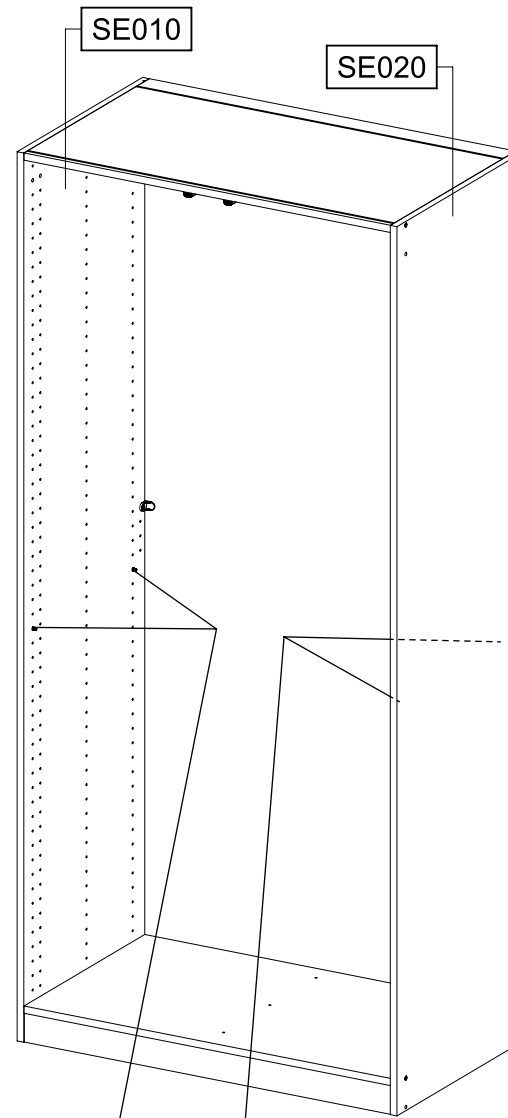
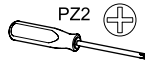
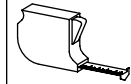
6,5x12

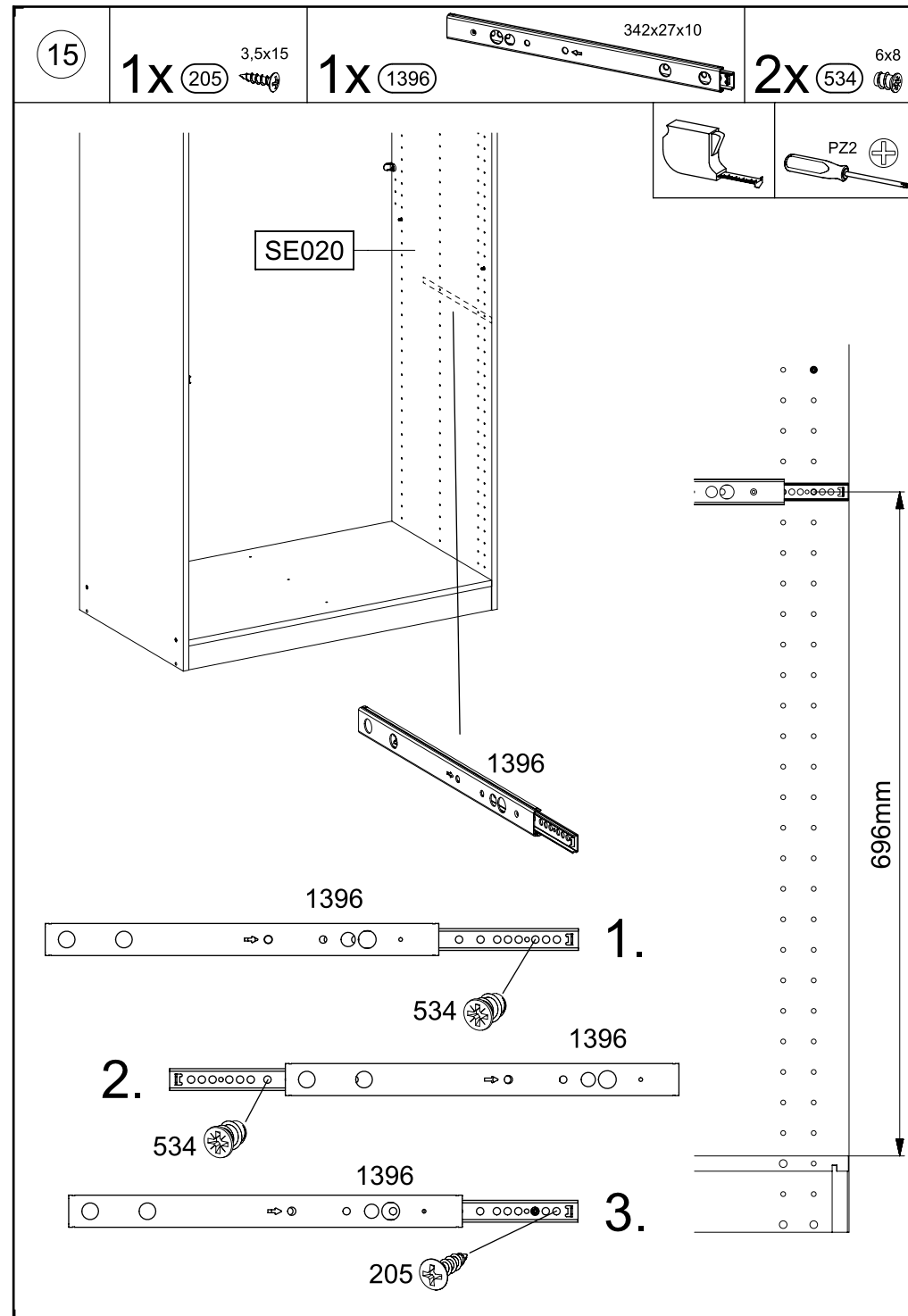
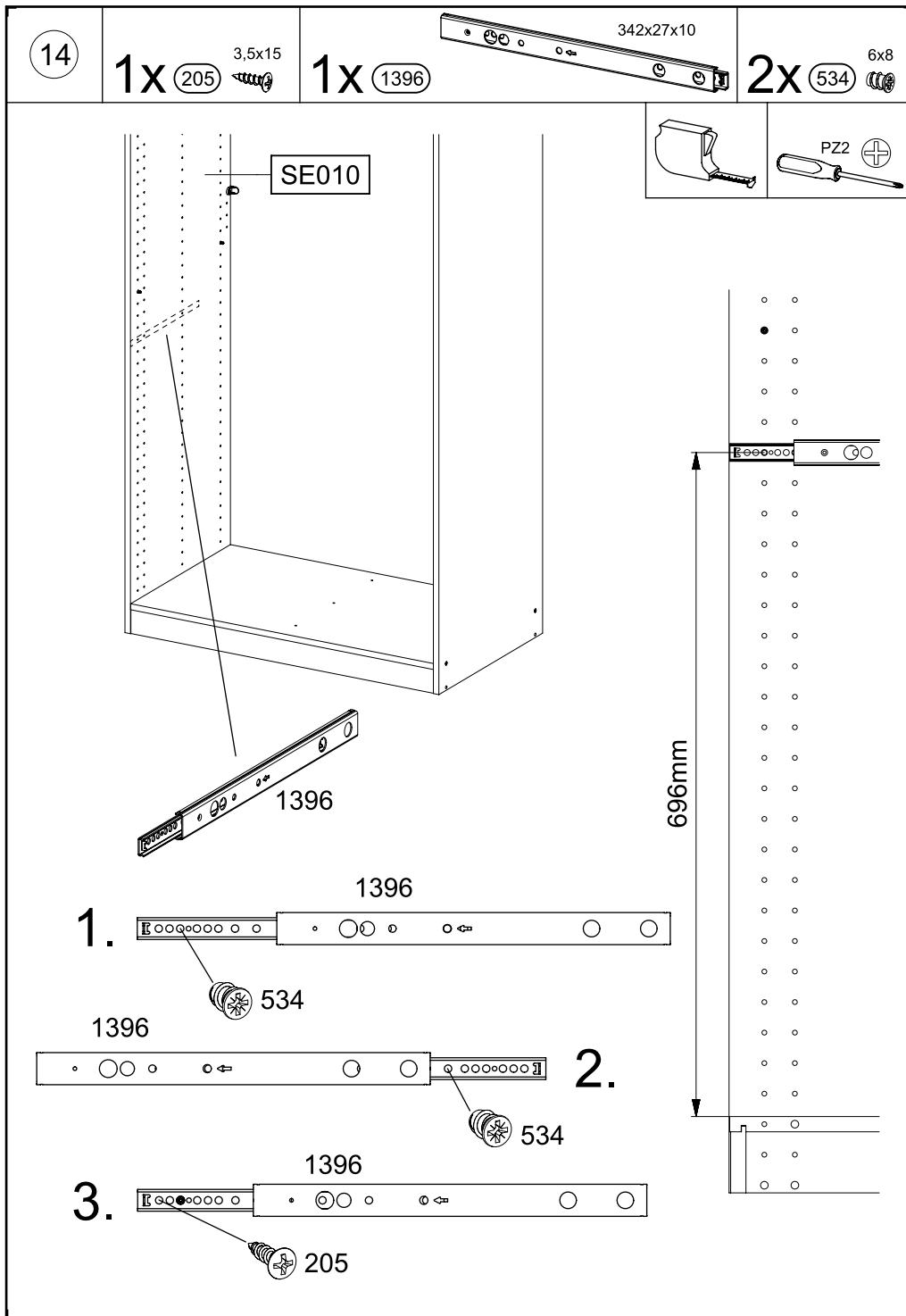


13

4x 249

5,0x7,0

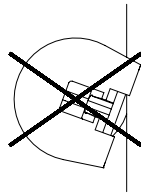
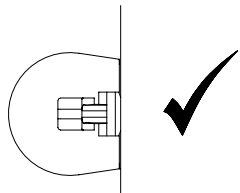
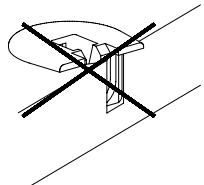
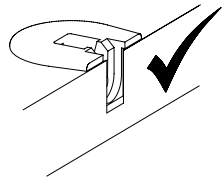
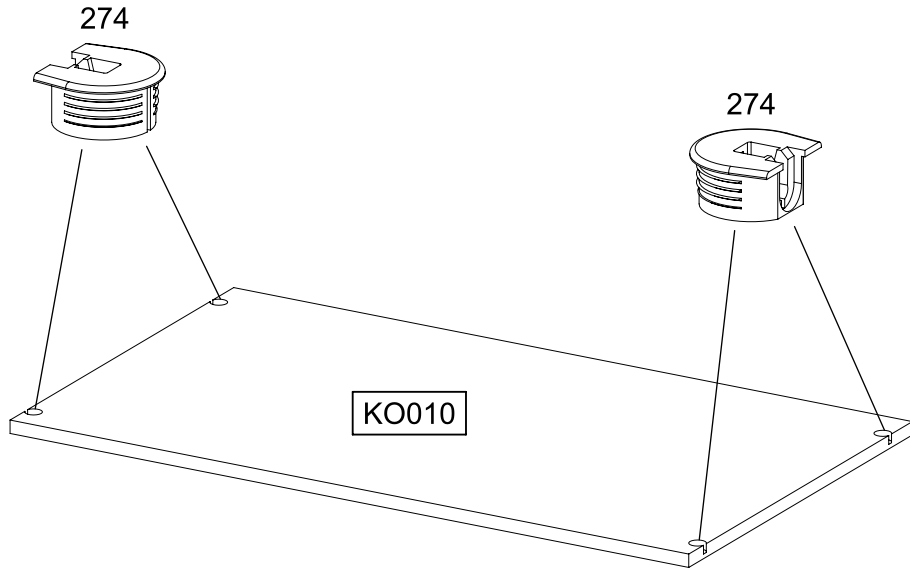
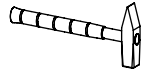




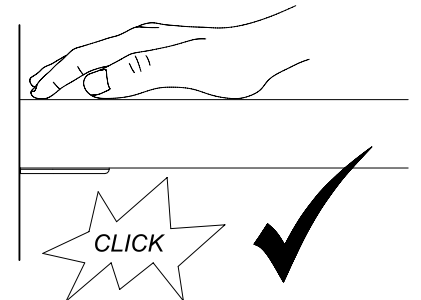
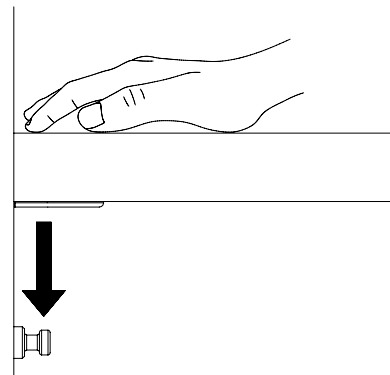
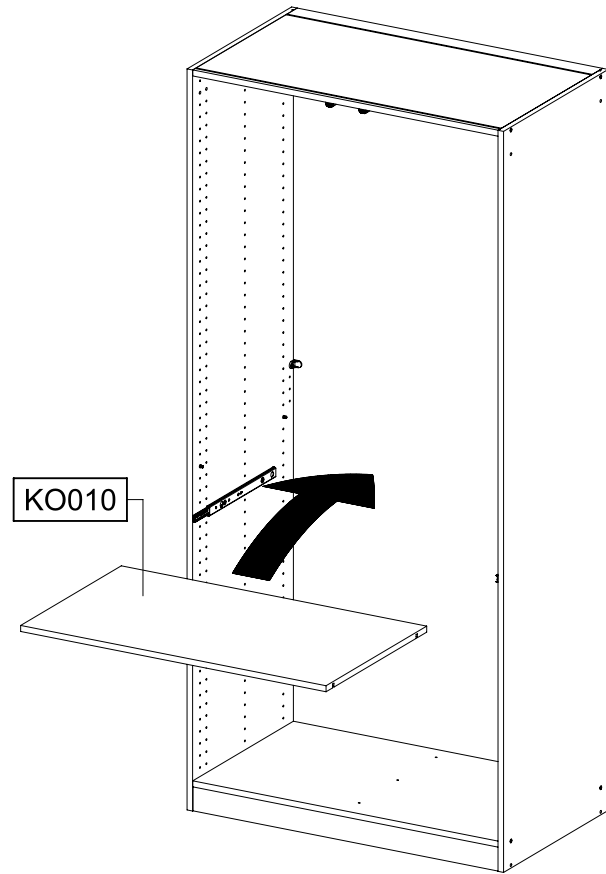
16

4x

274



17



18

0-2x

12

55x16x6,2



2x

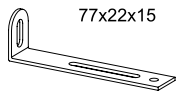
201

4x15



1x

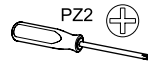
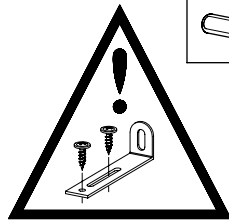
68



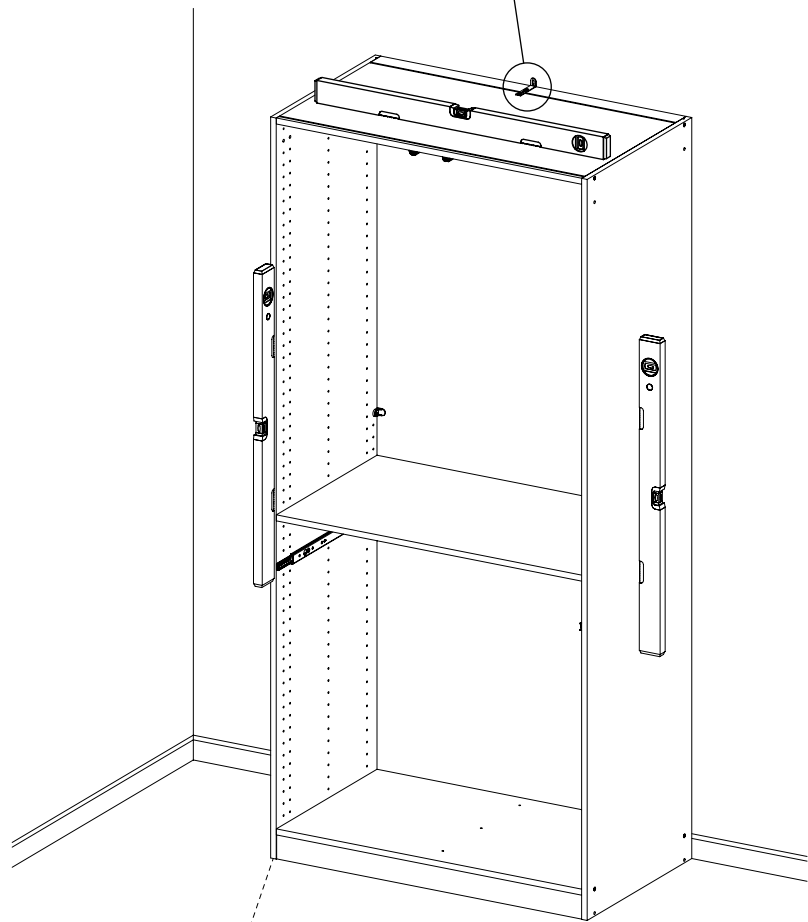
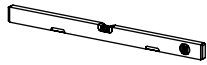
77x22x15



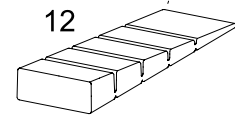
SCAN ME



PZ2



12

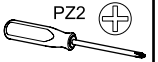


19

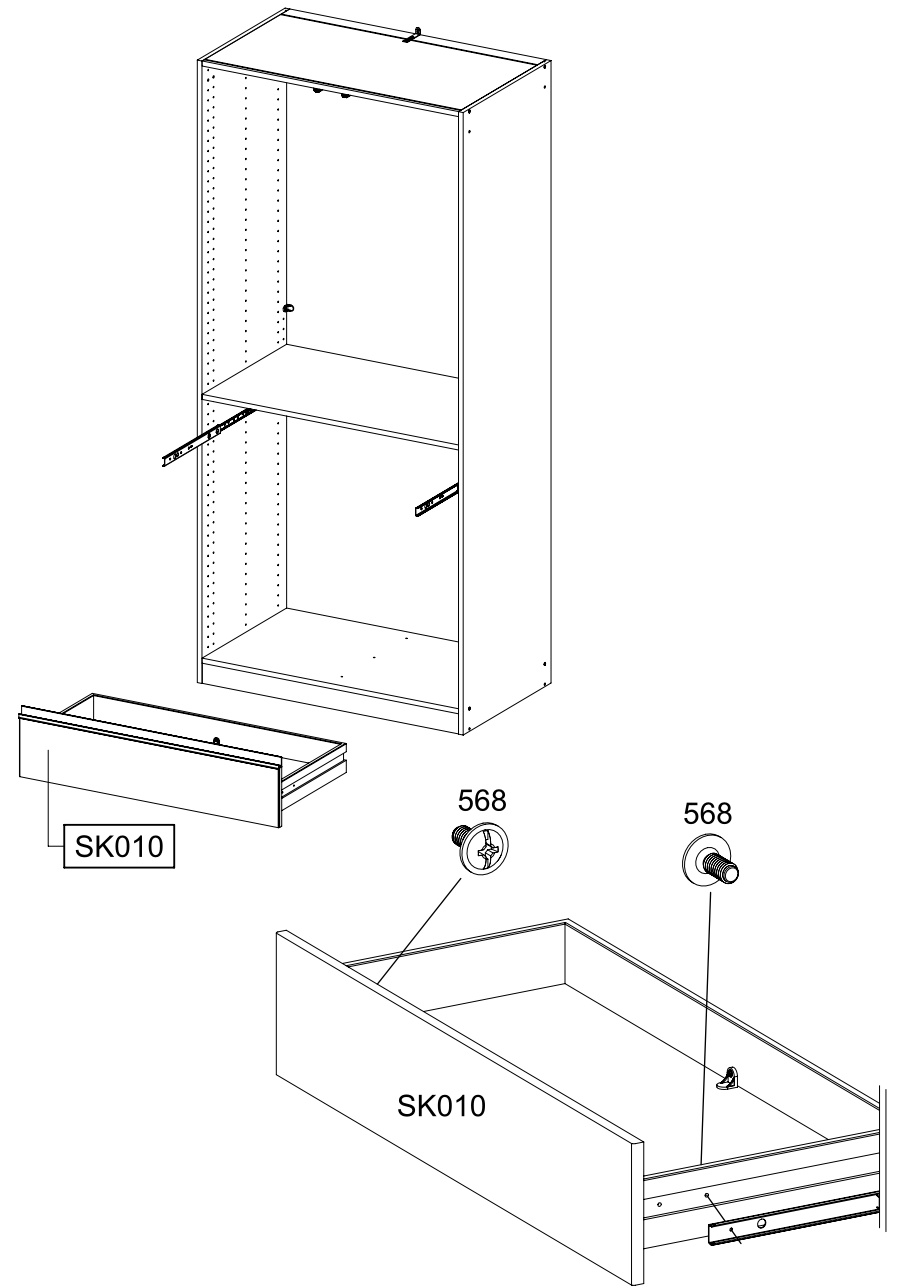
2x

568

M4x9



PZ2



SK010

568



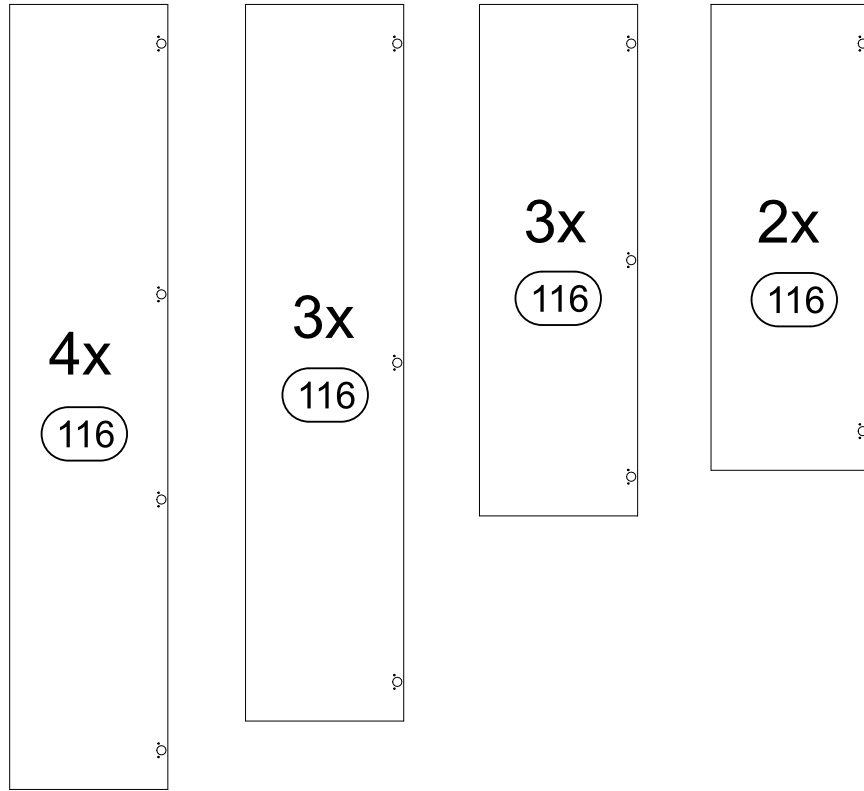
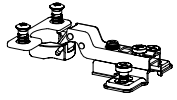
568



SK010

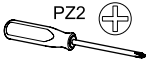
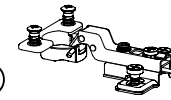
20

116

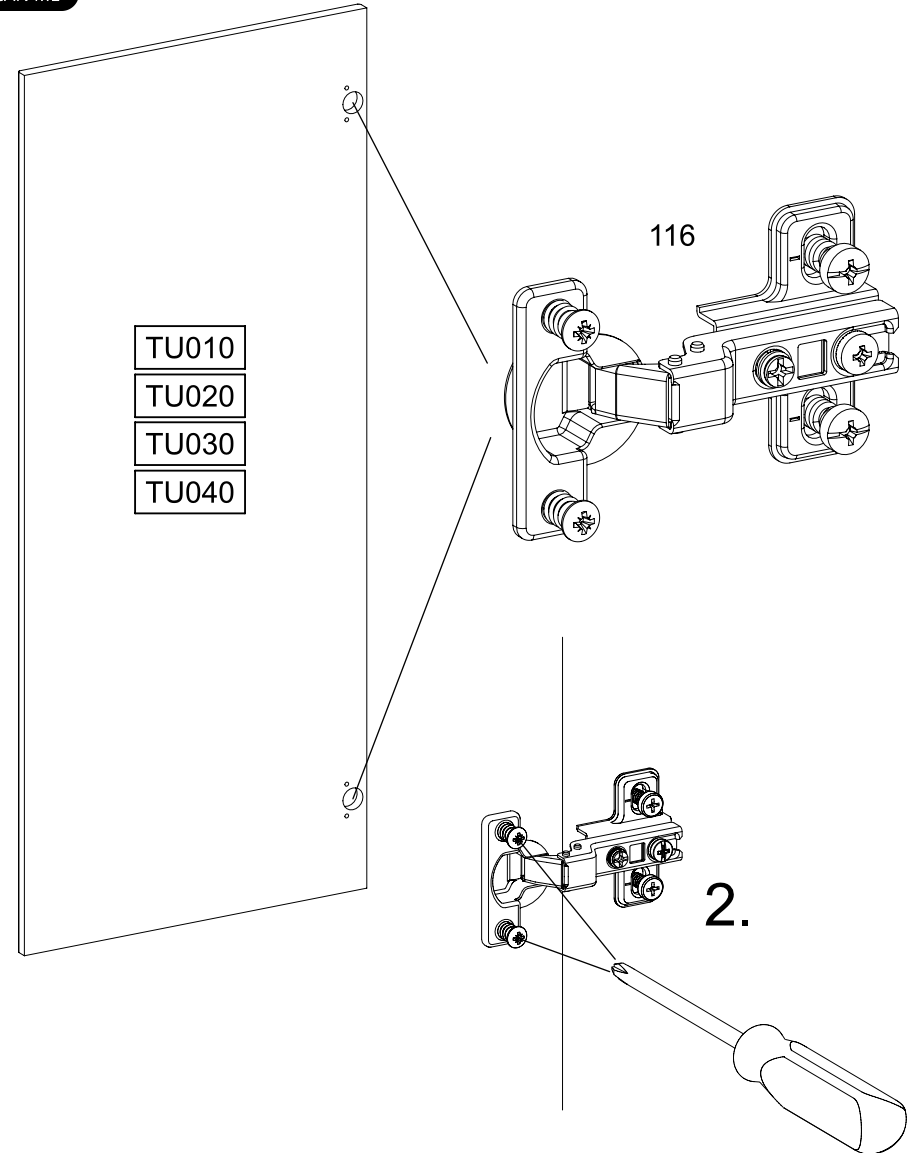


21

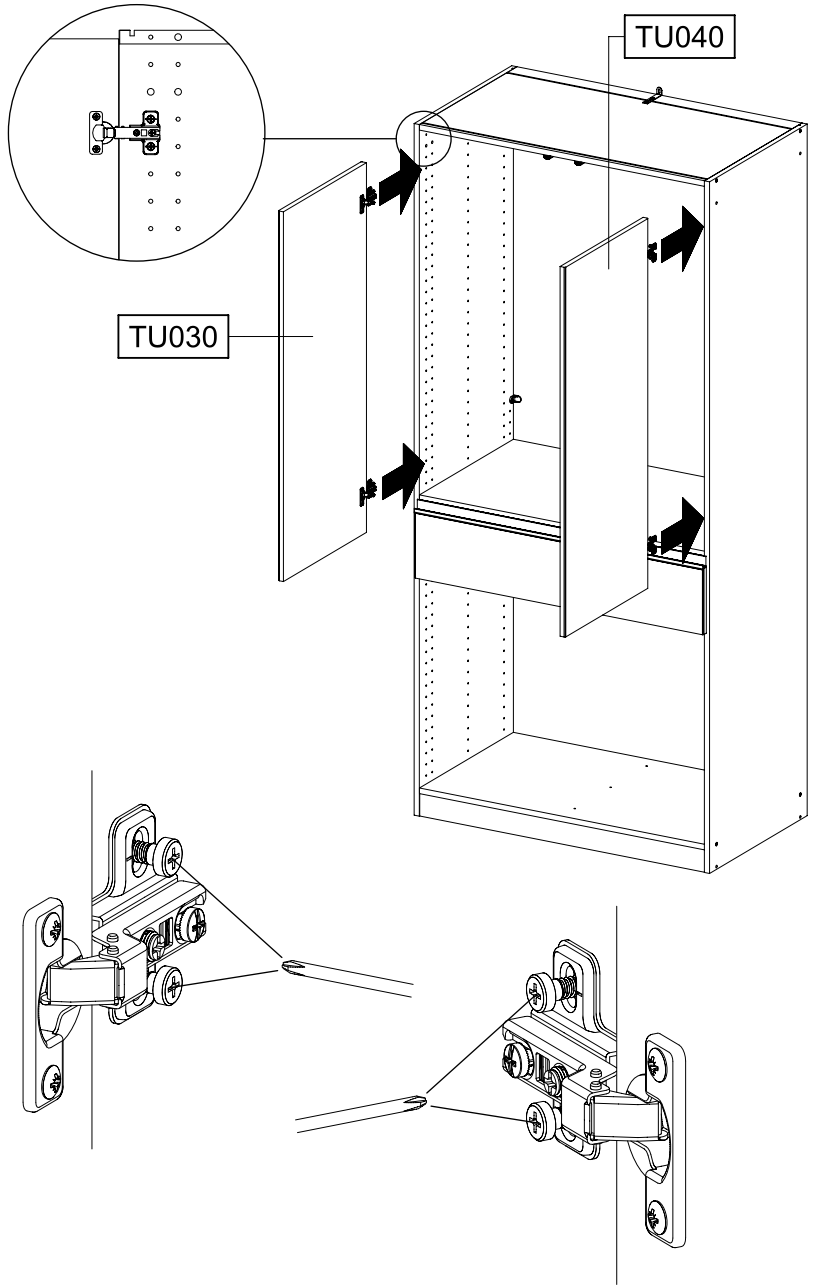
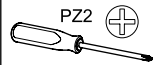
8x-10x 116



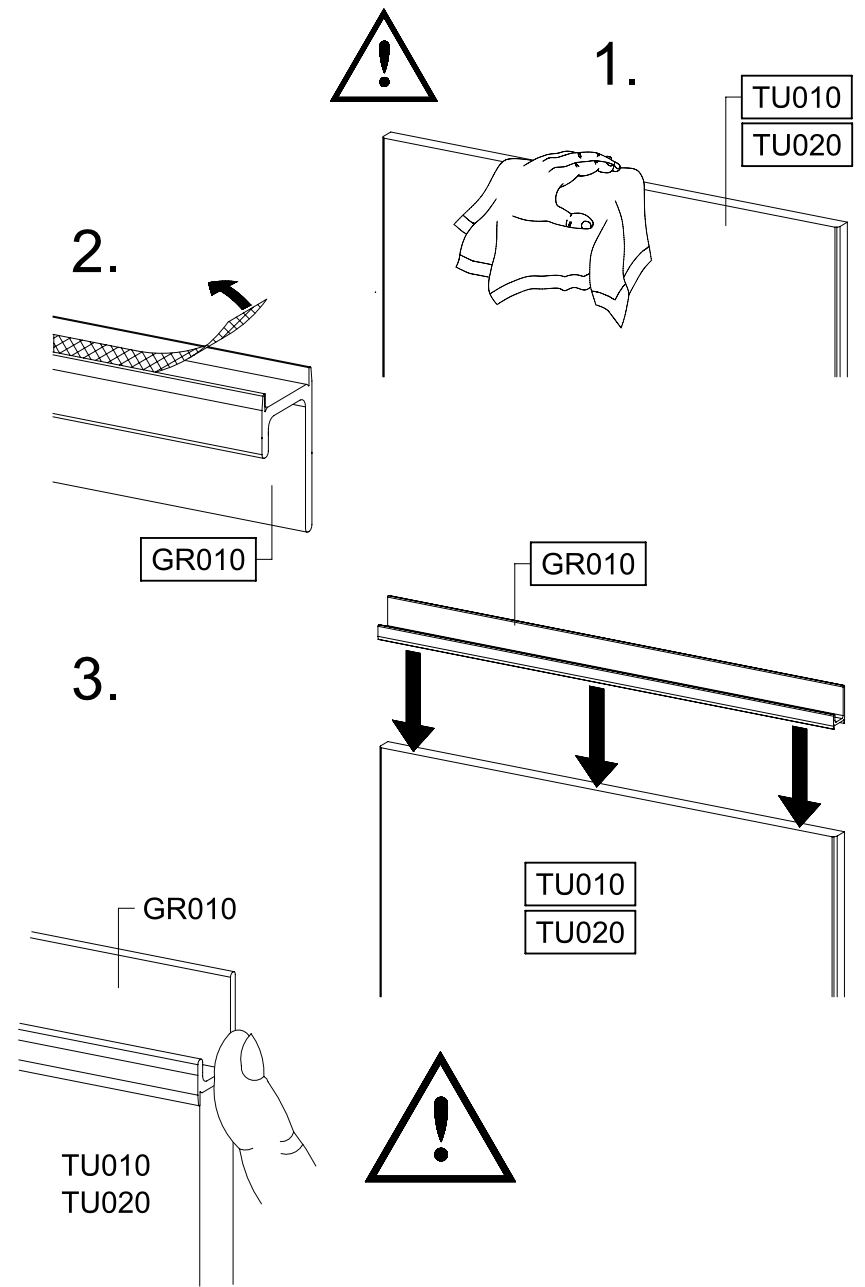
SCAN ME



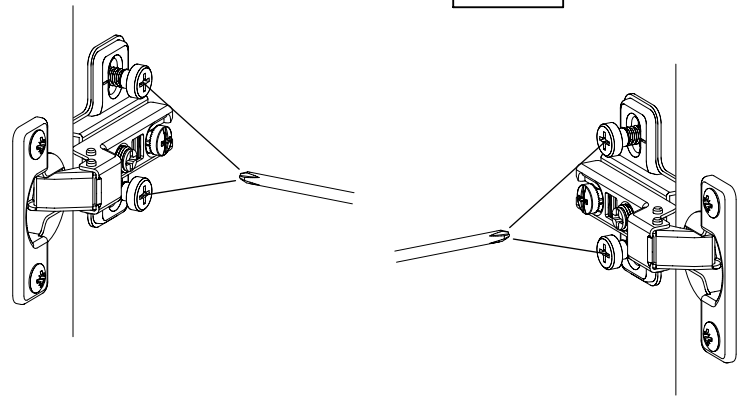
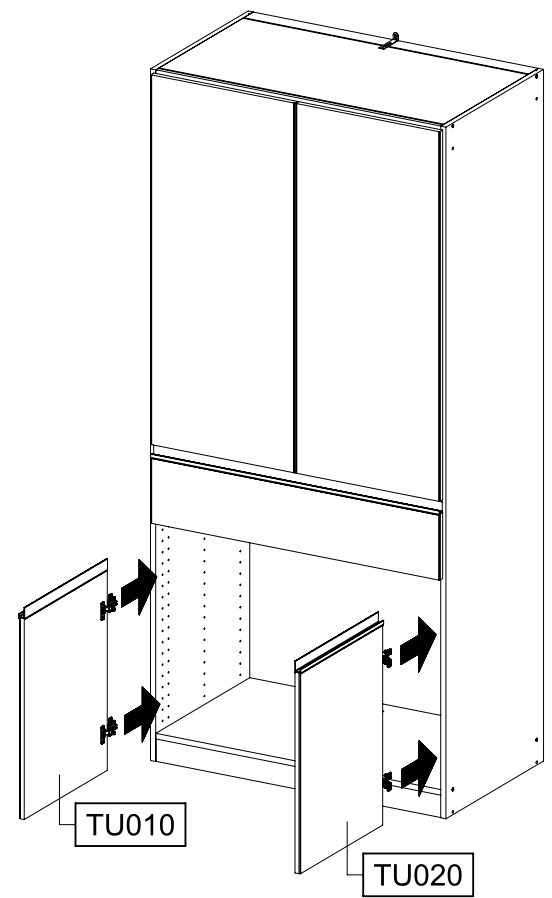
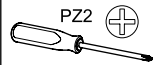
22



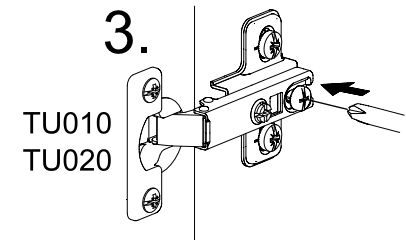
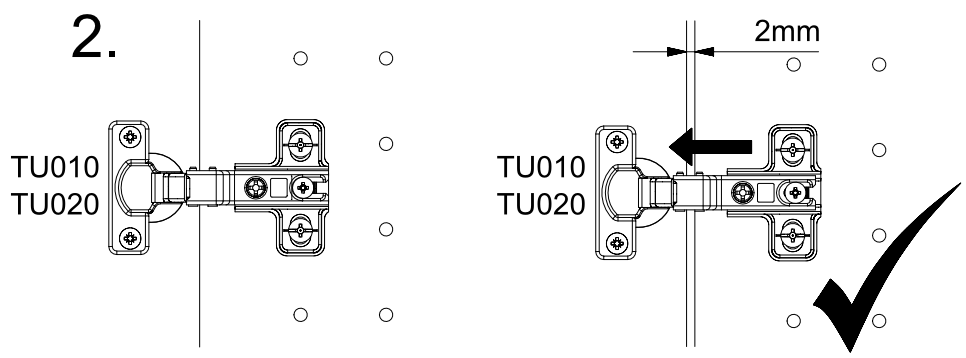
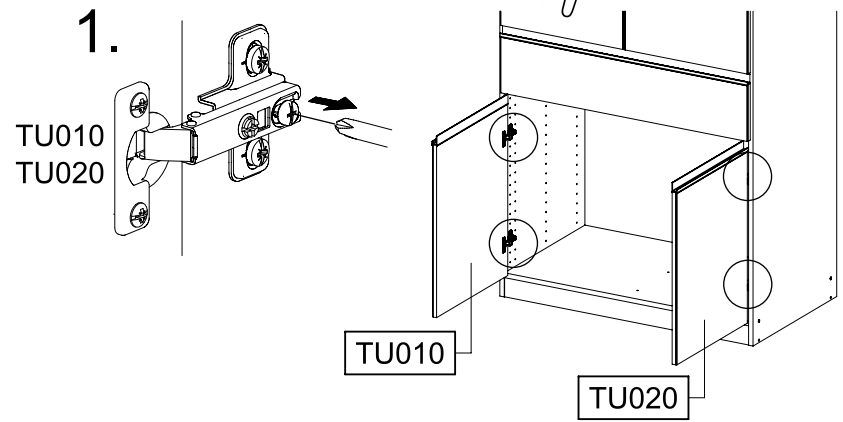
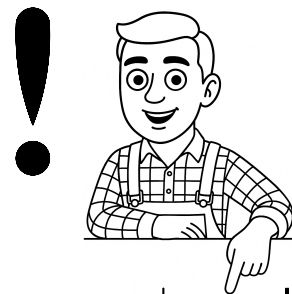
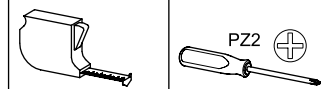
23



24

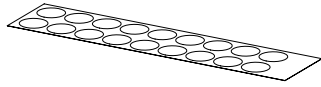


25

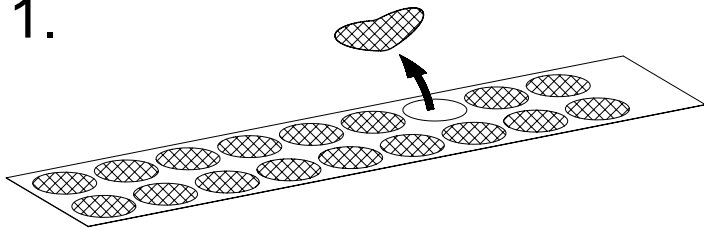


26

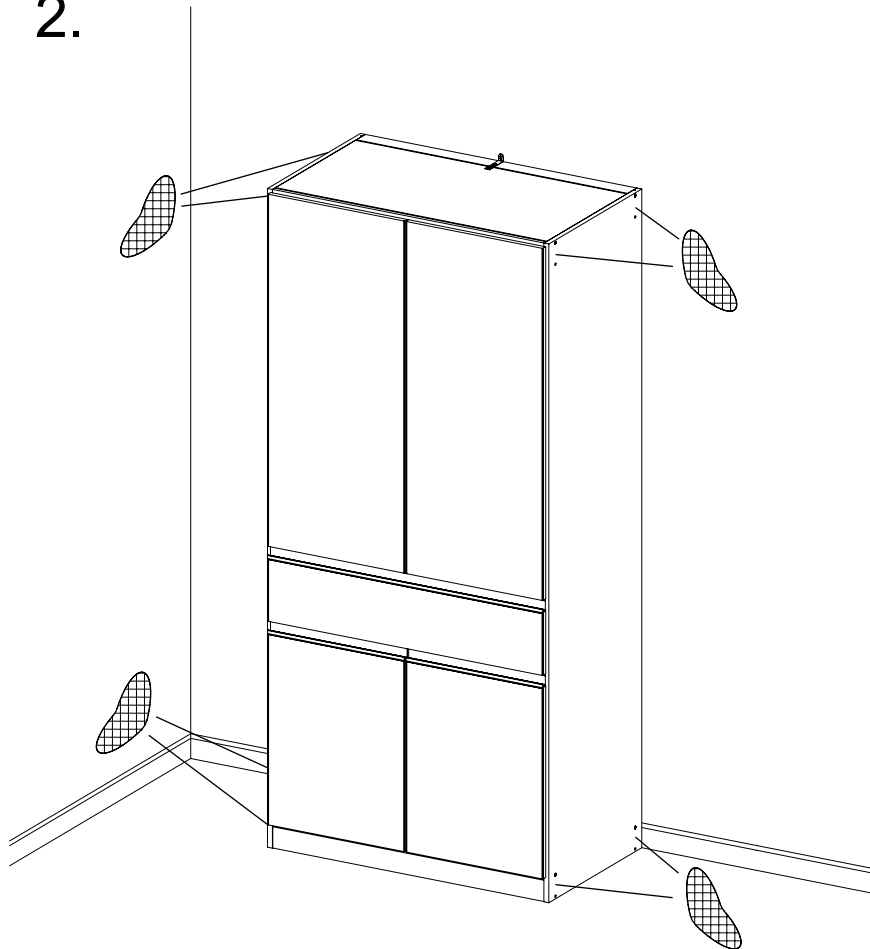
1x RE010



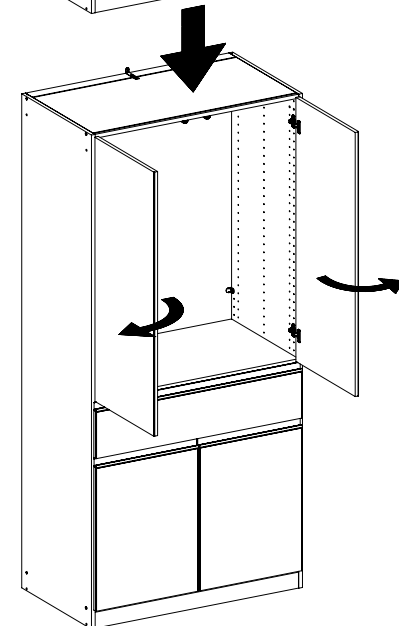
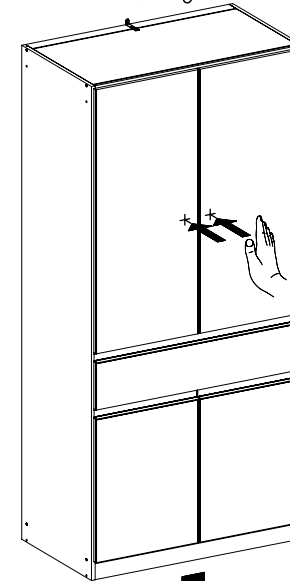
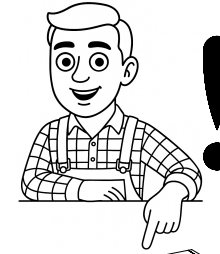
1.



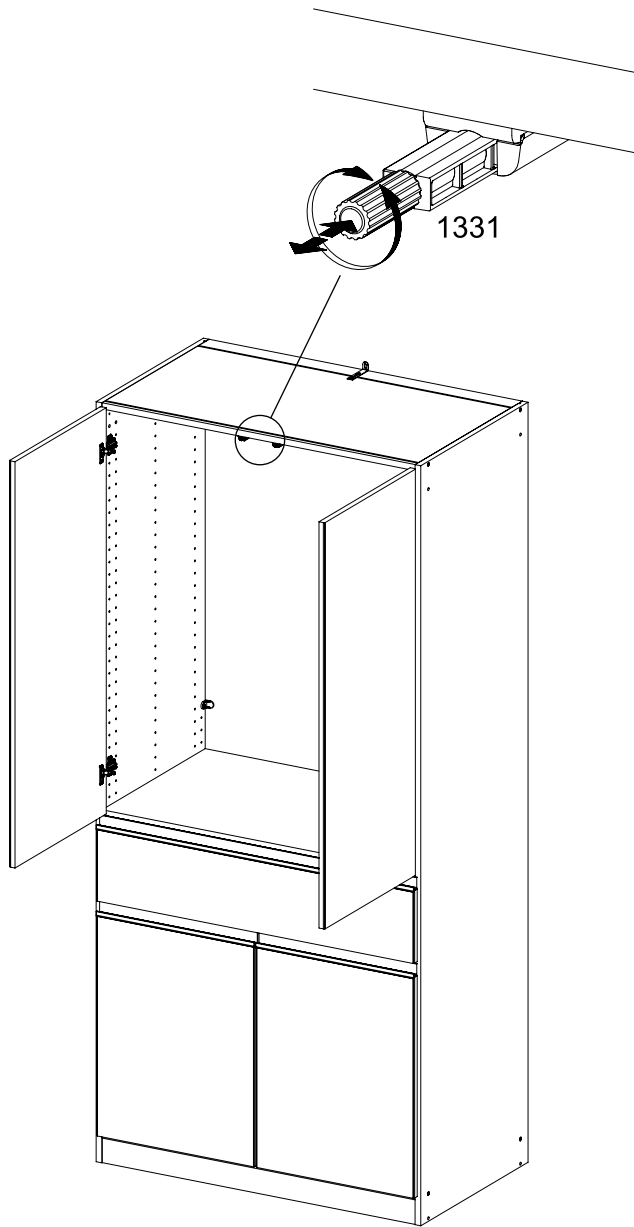
2.



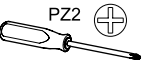
27



28



29



SCAN ME

