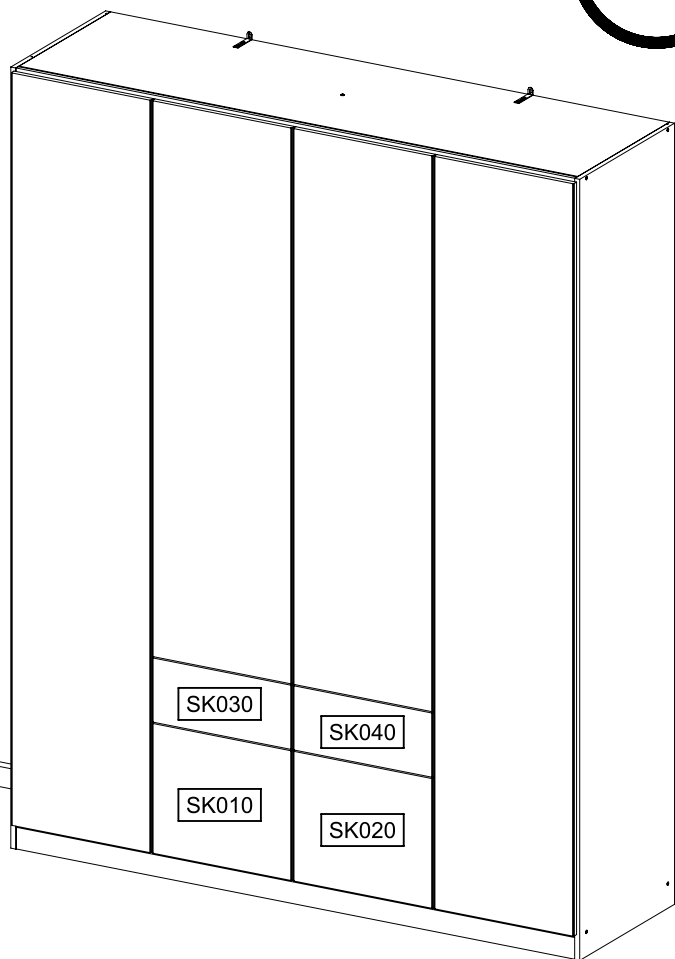
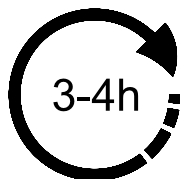
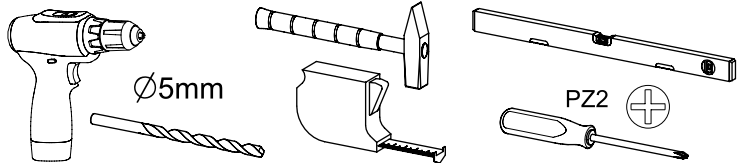
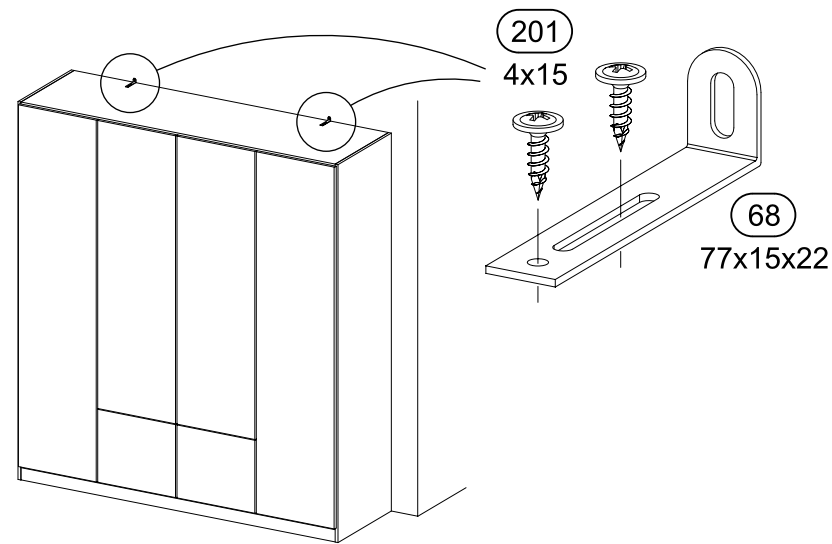
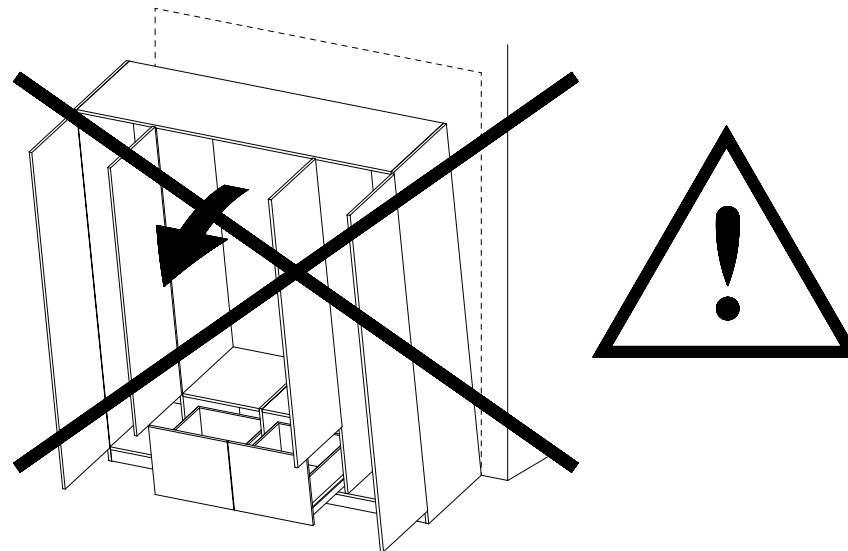


1.

# M3210\_01



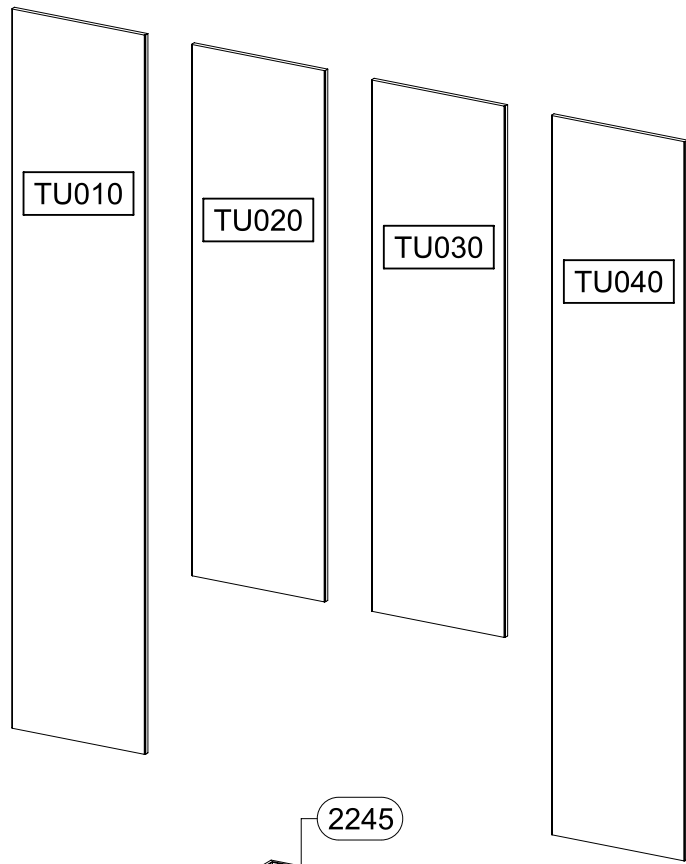
2.



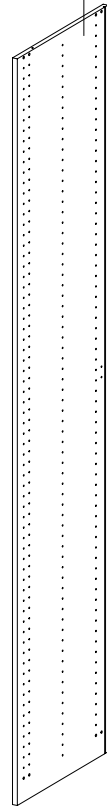
VIDEO



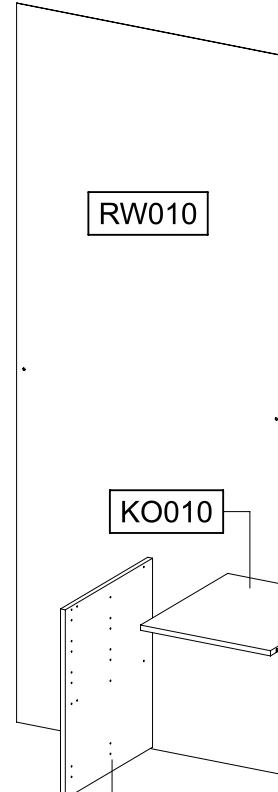
SCAN ME



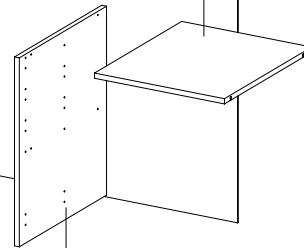
SE010



RW010



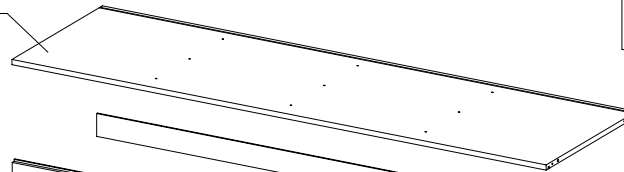
KO010



MS010



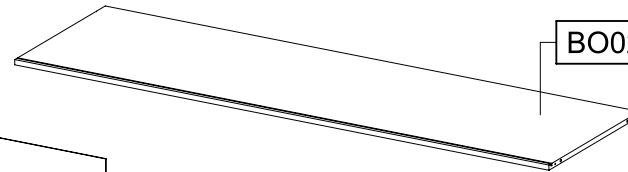
BO010



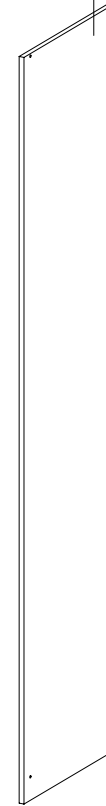
SO010



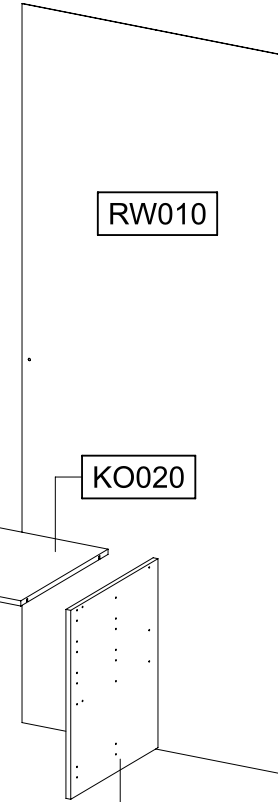
BO020



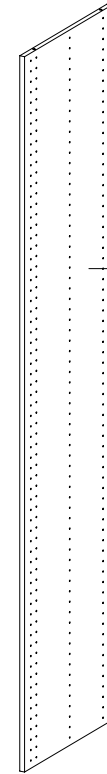
SE020



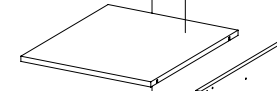
RW010



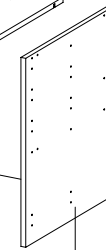
MS020



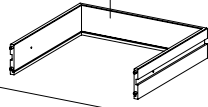
KO020



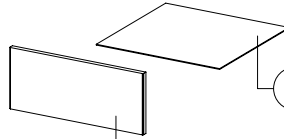
MS030



2245

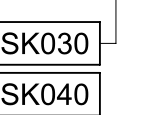


2068

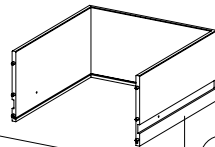


SK030

SK040



2284

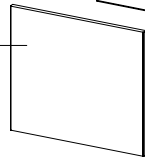


2051



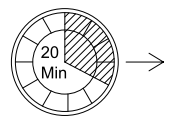
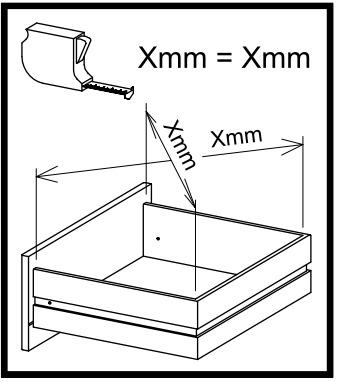
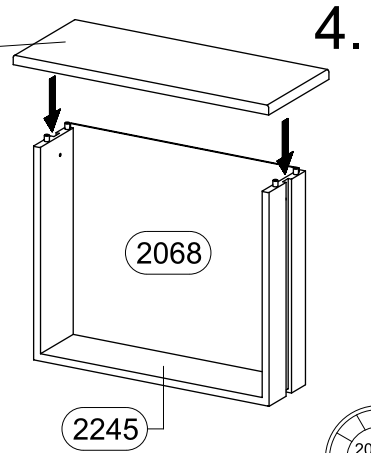
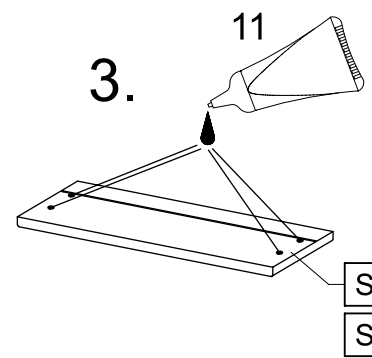
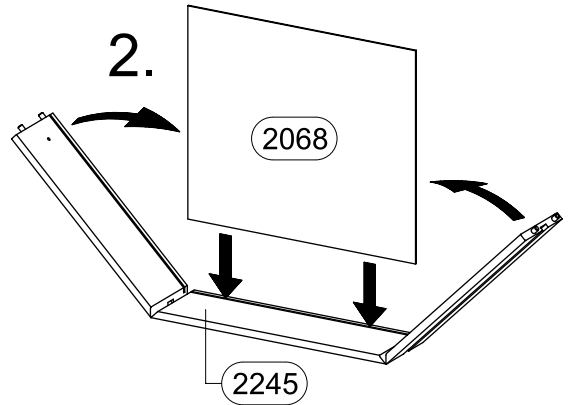
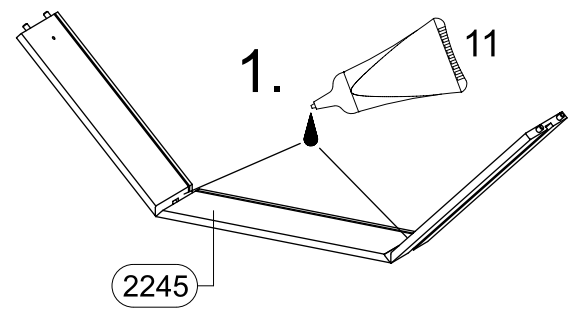
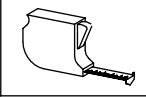
SK010

SK020

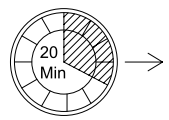
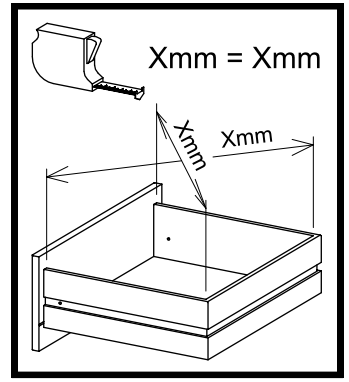
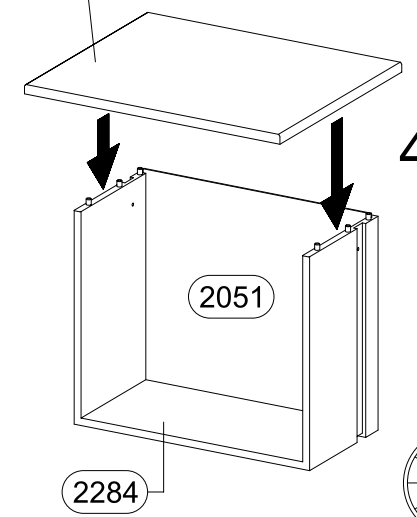
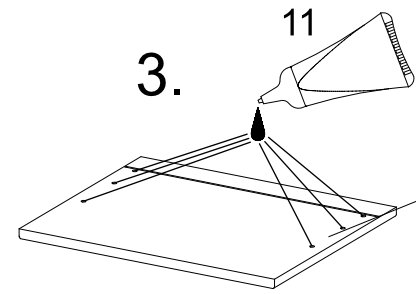
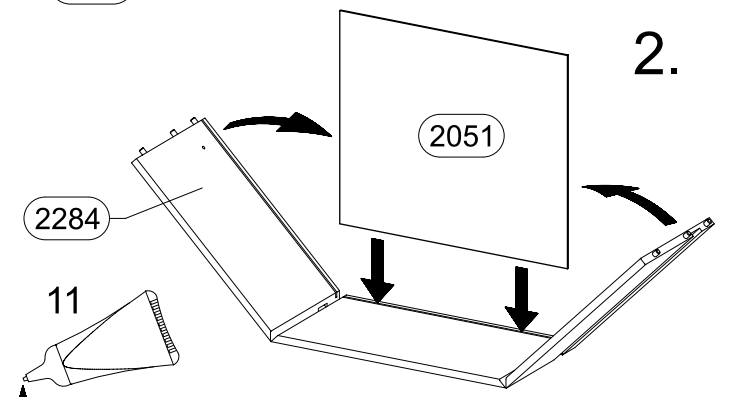
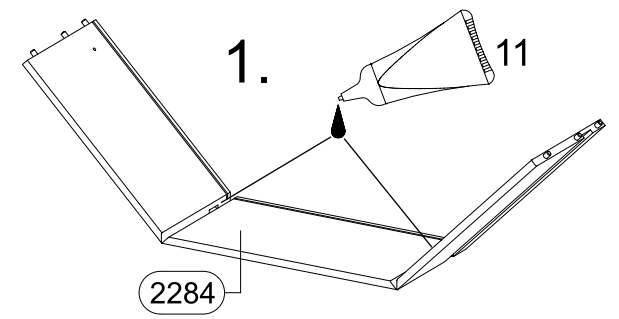
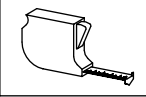


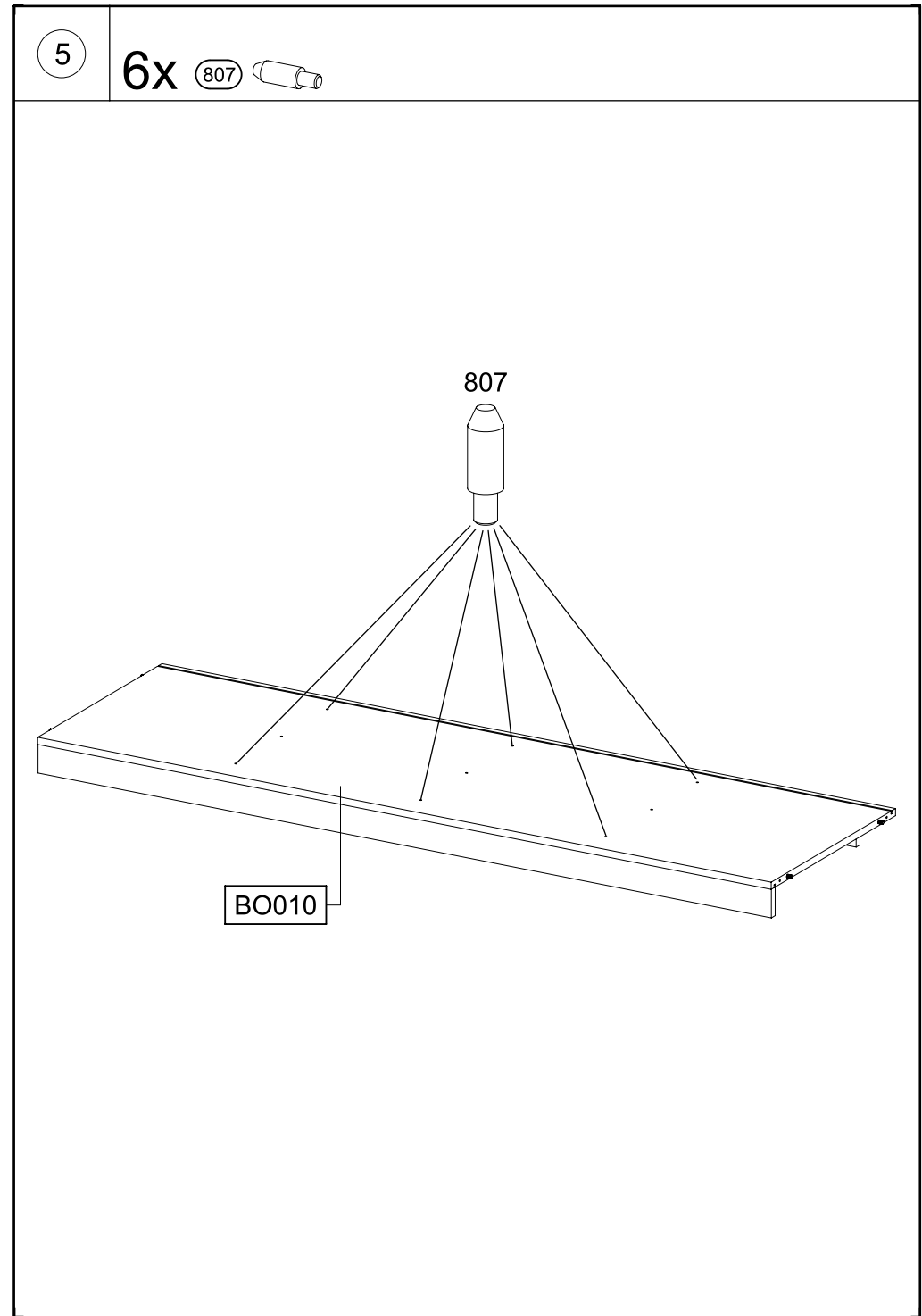
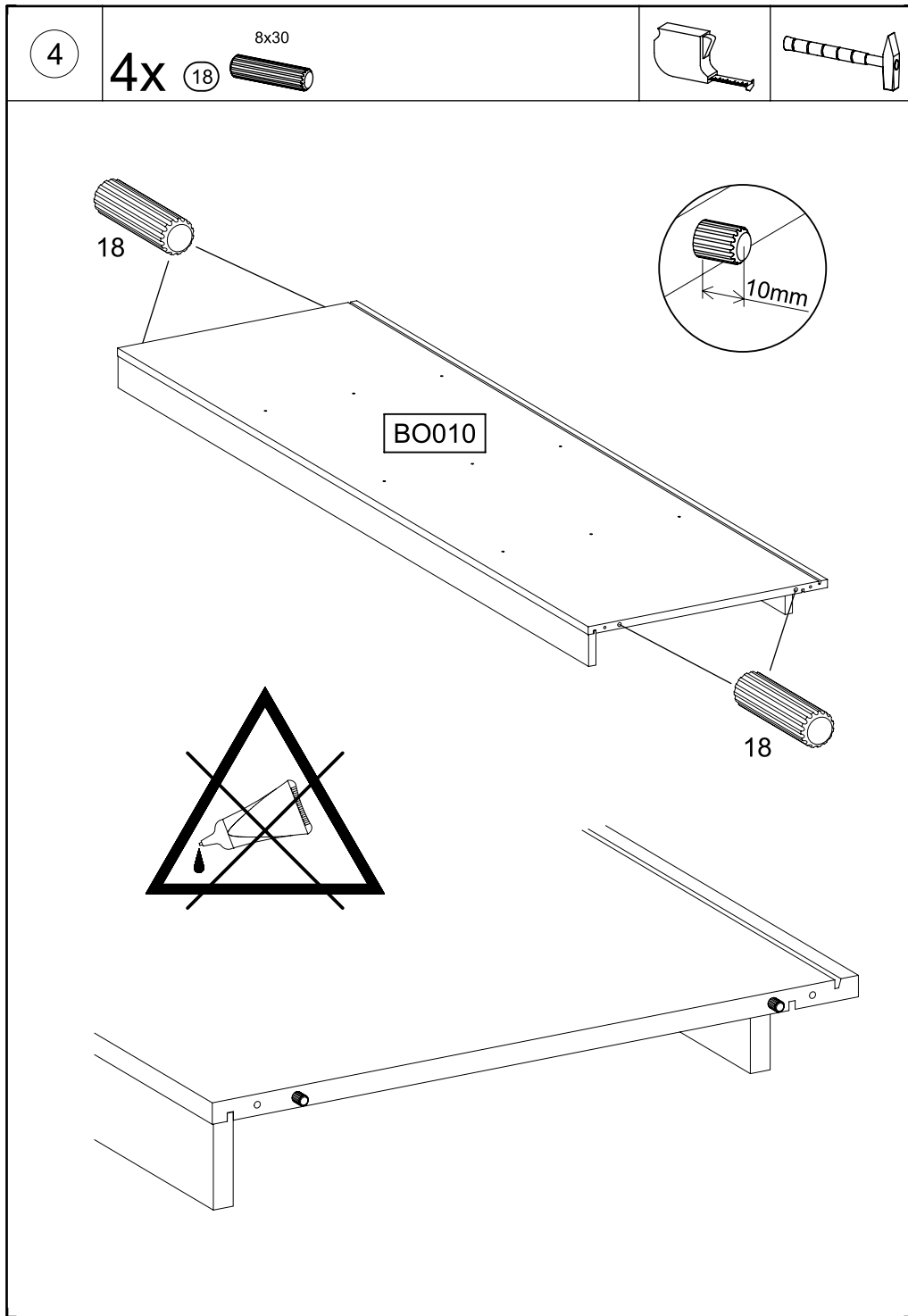


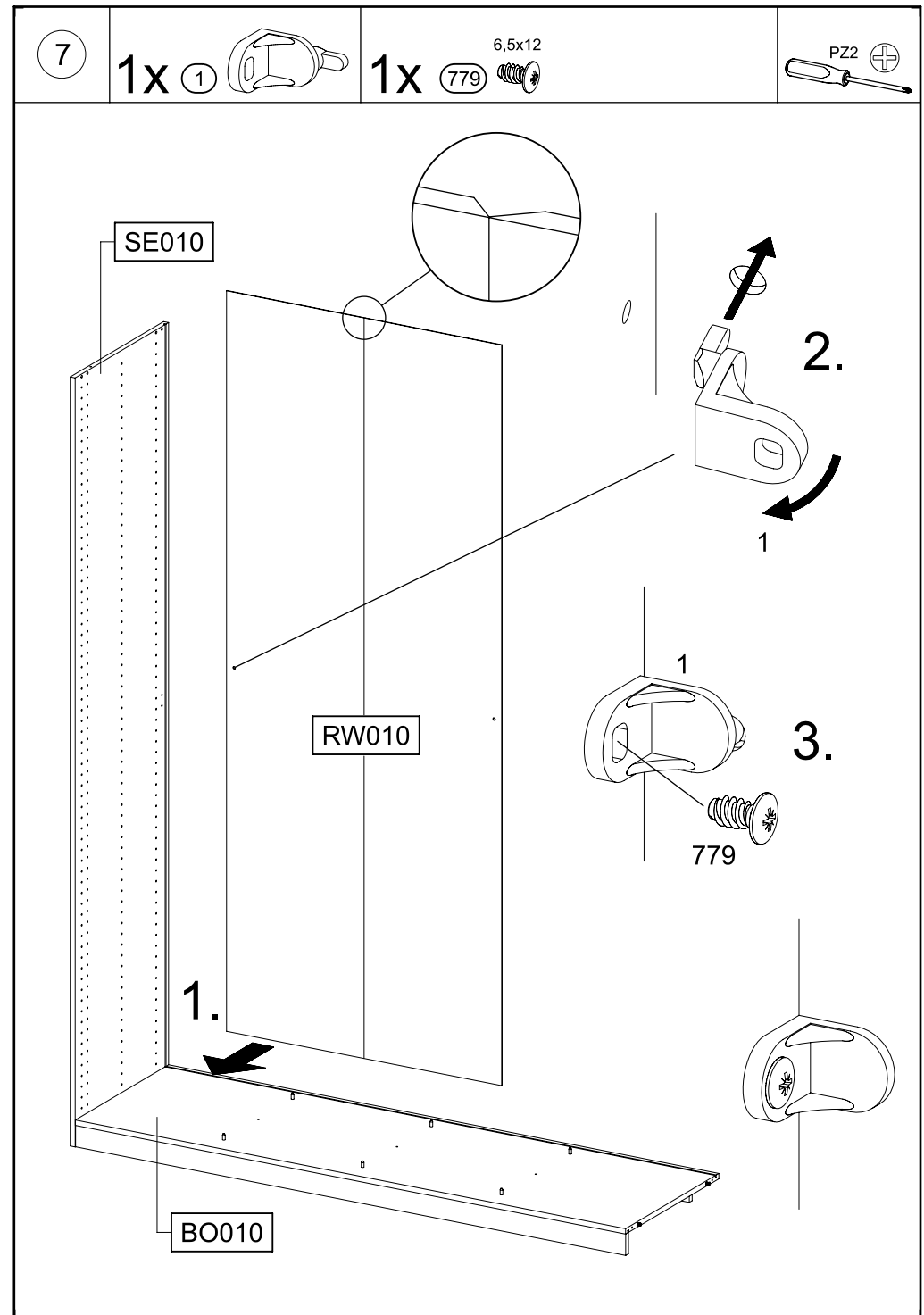
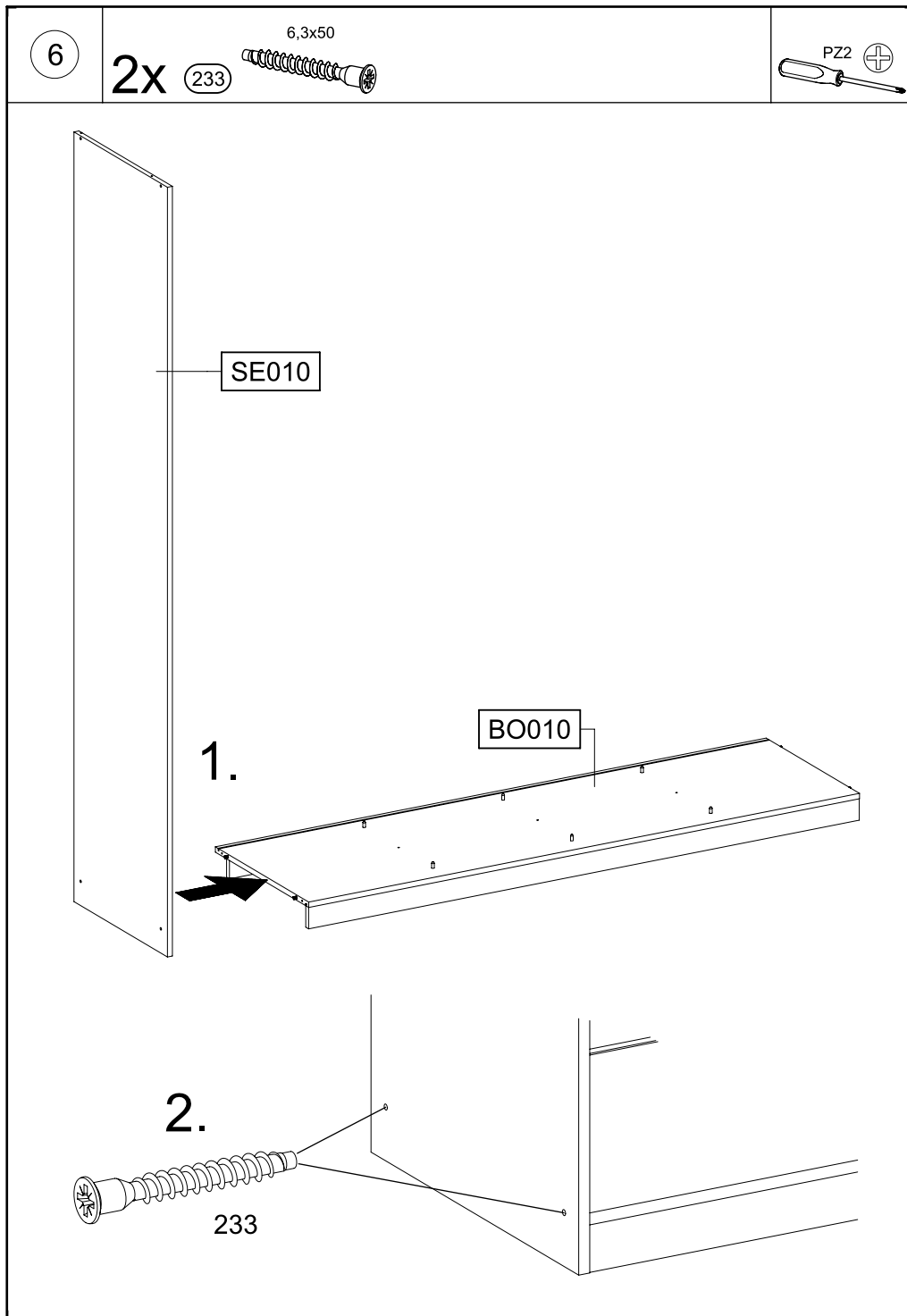
2

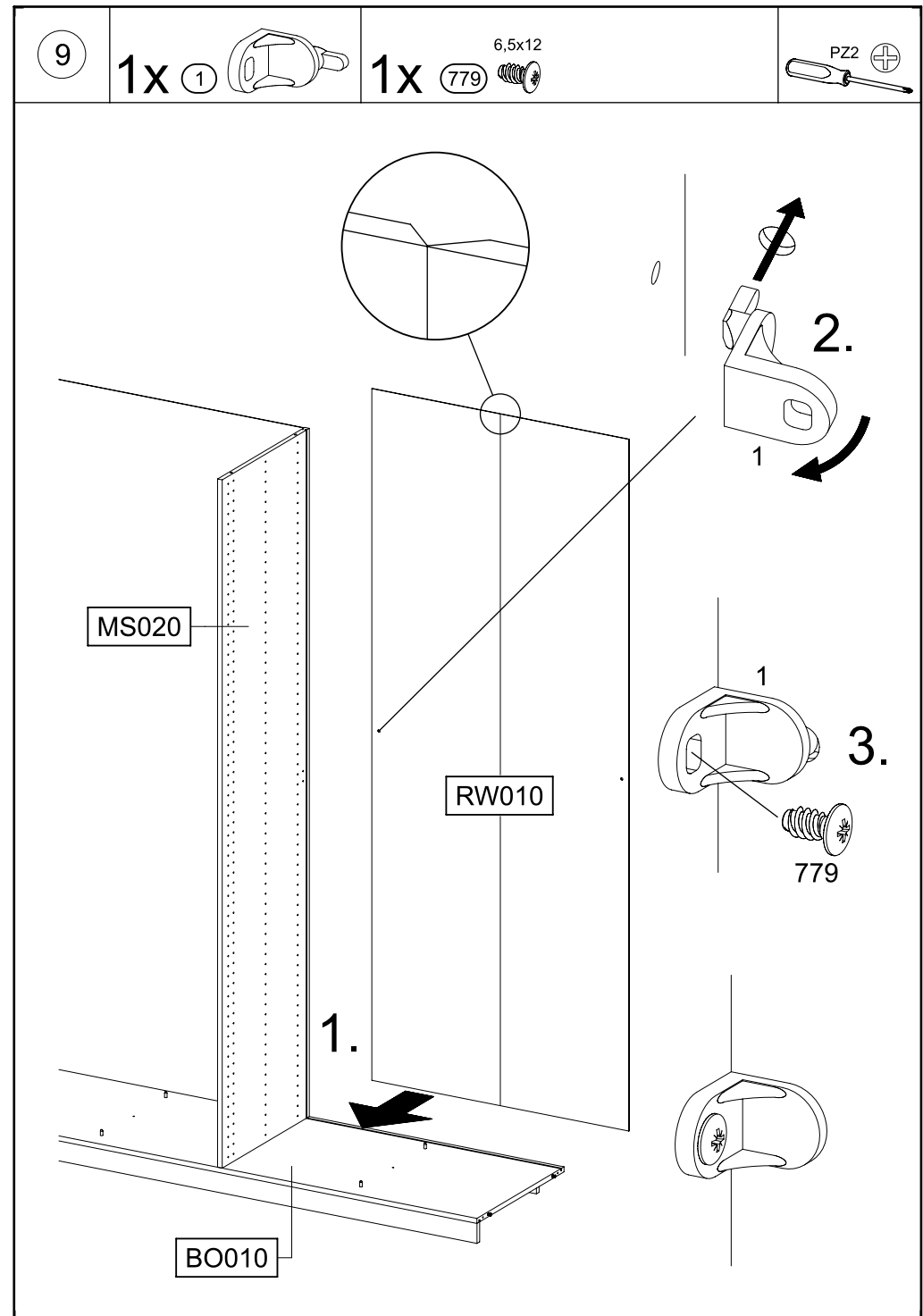
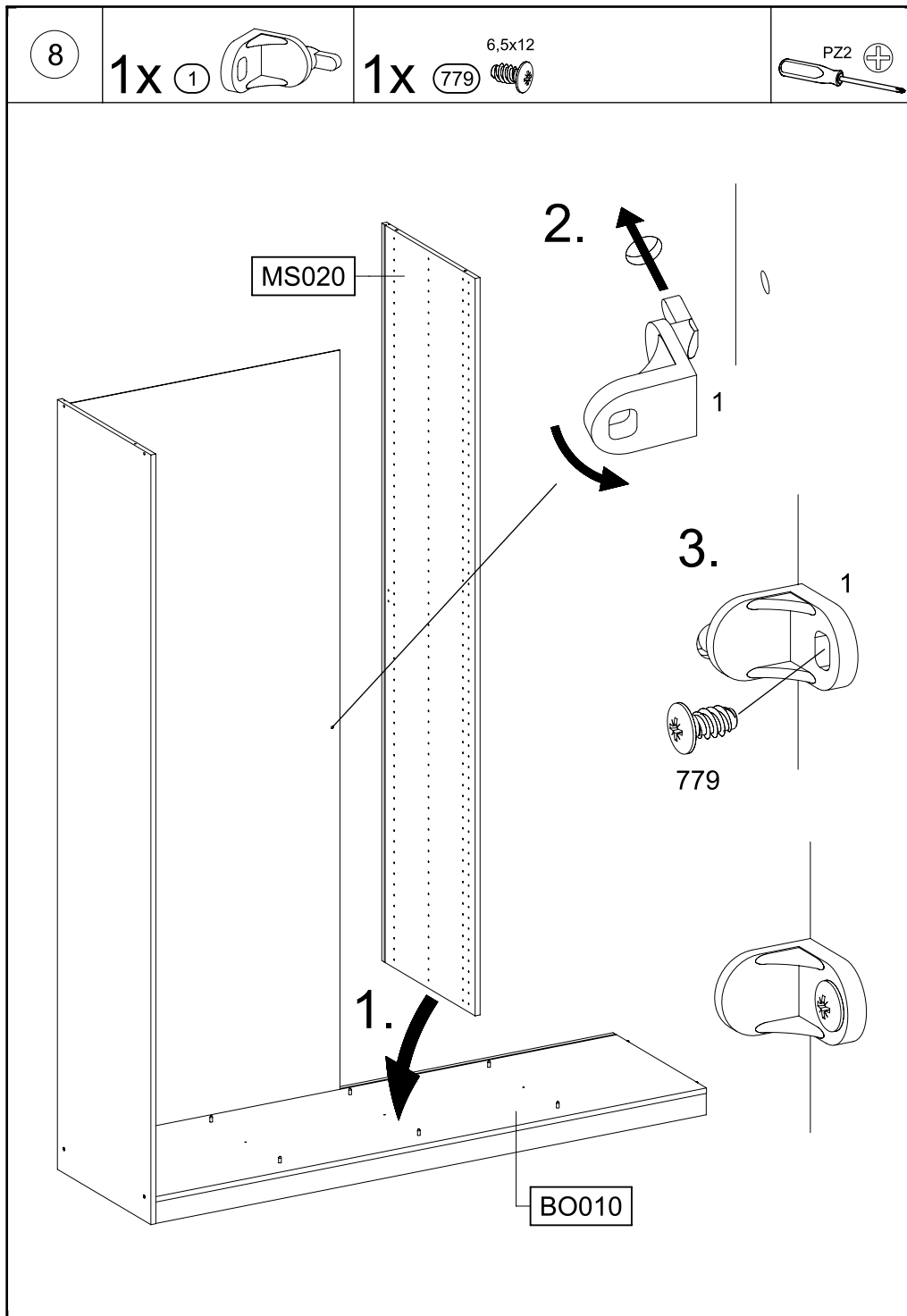


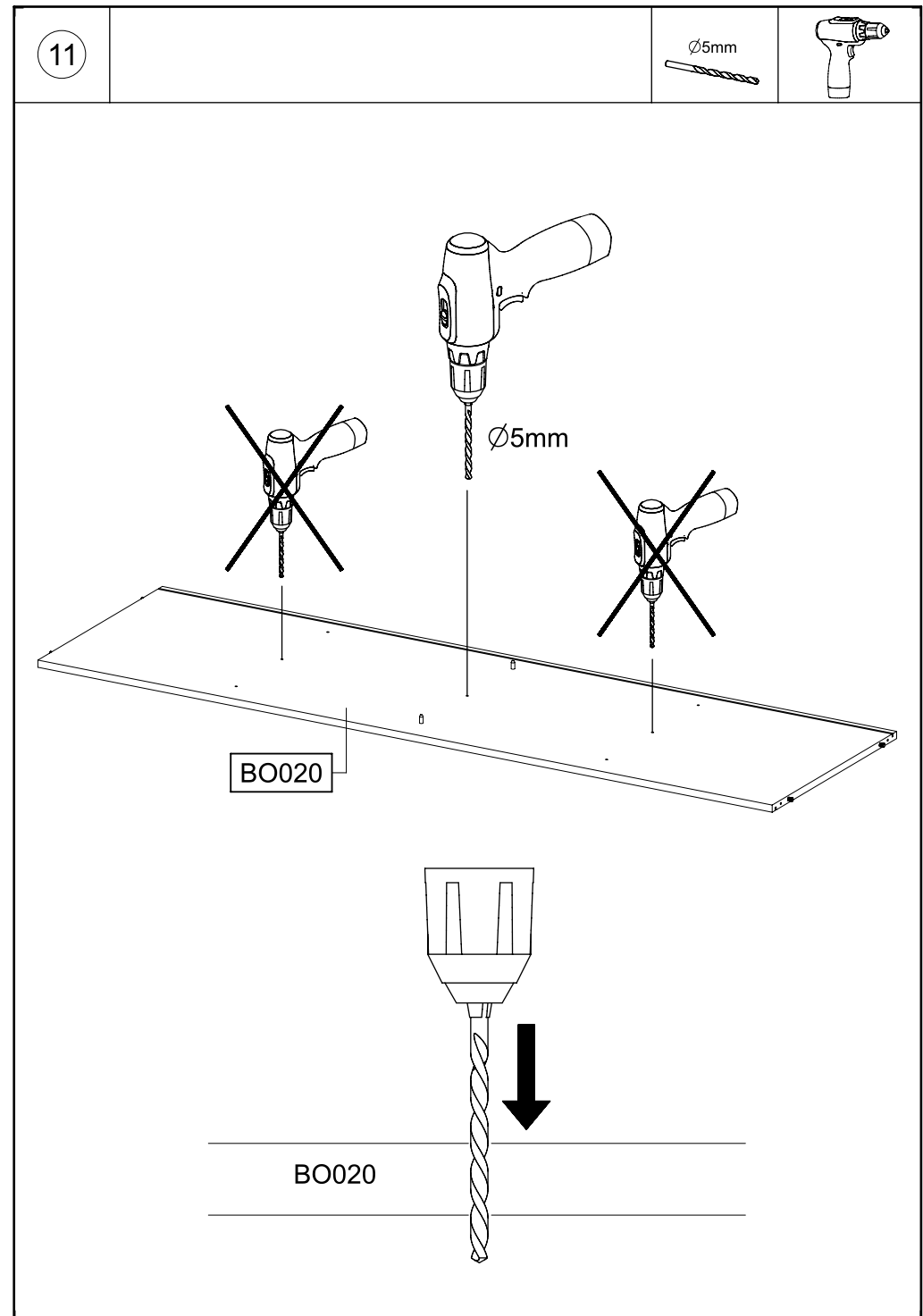
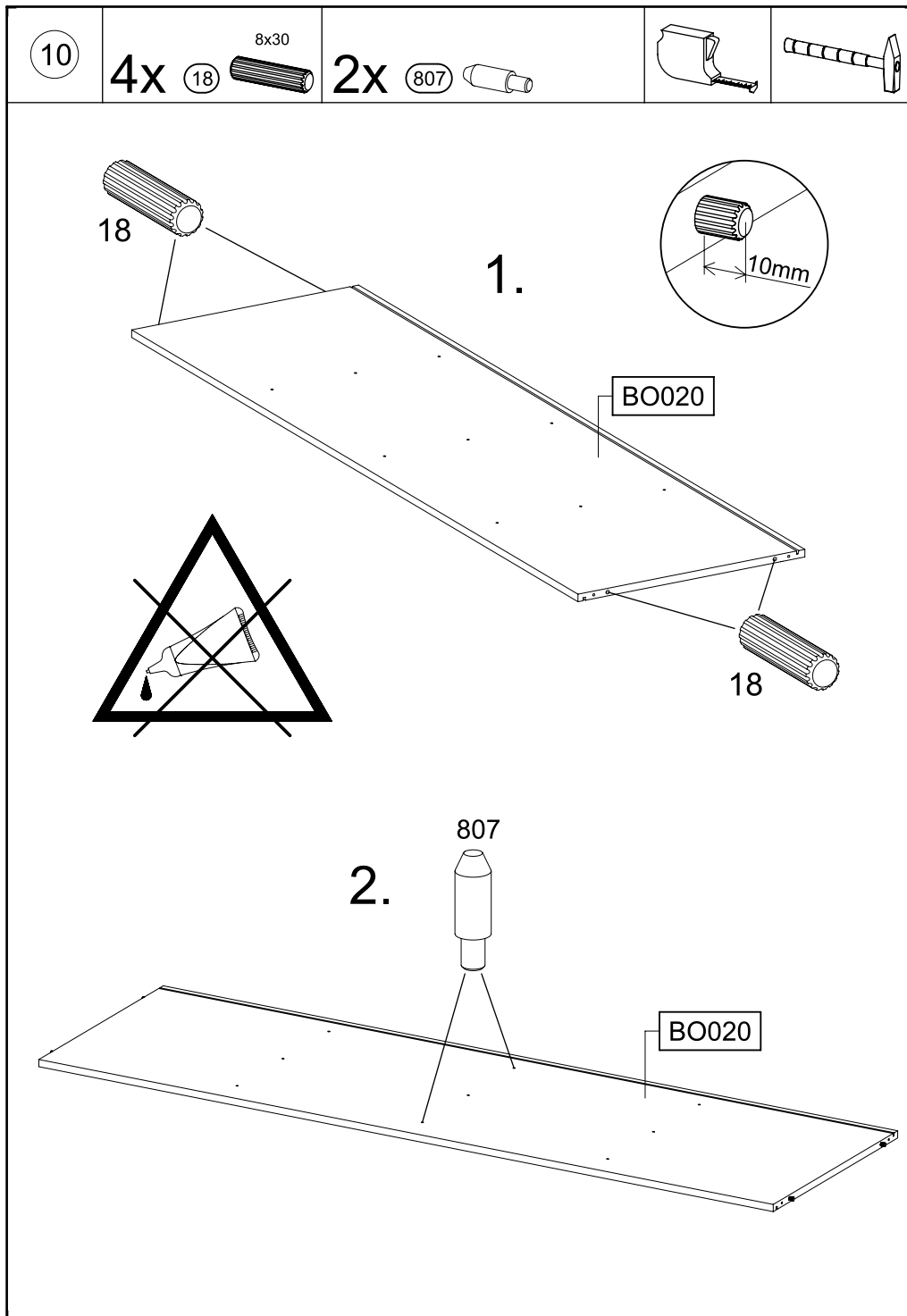
3

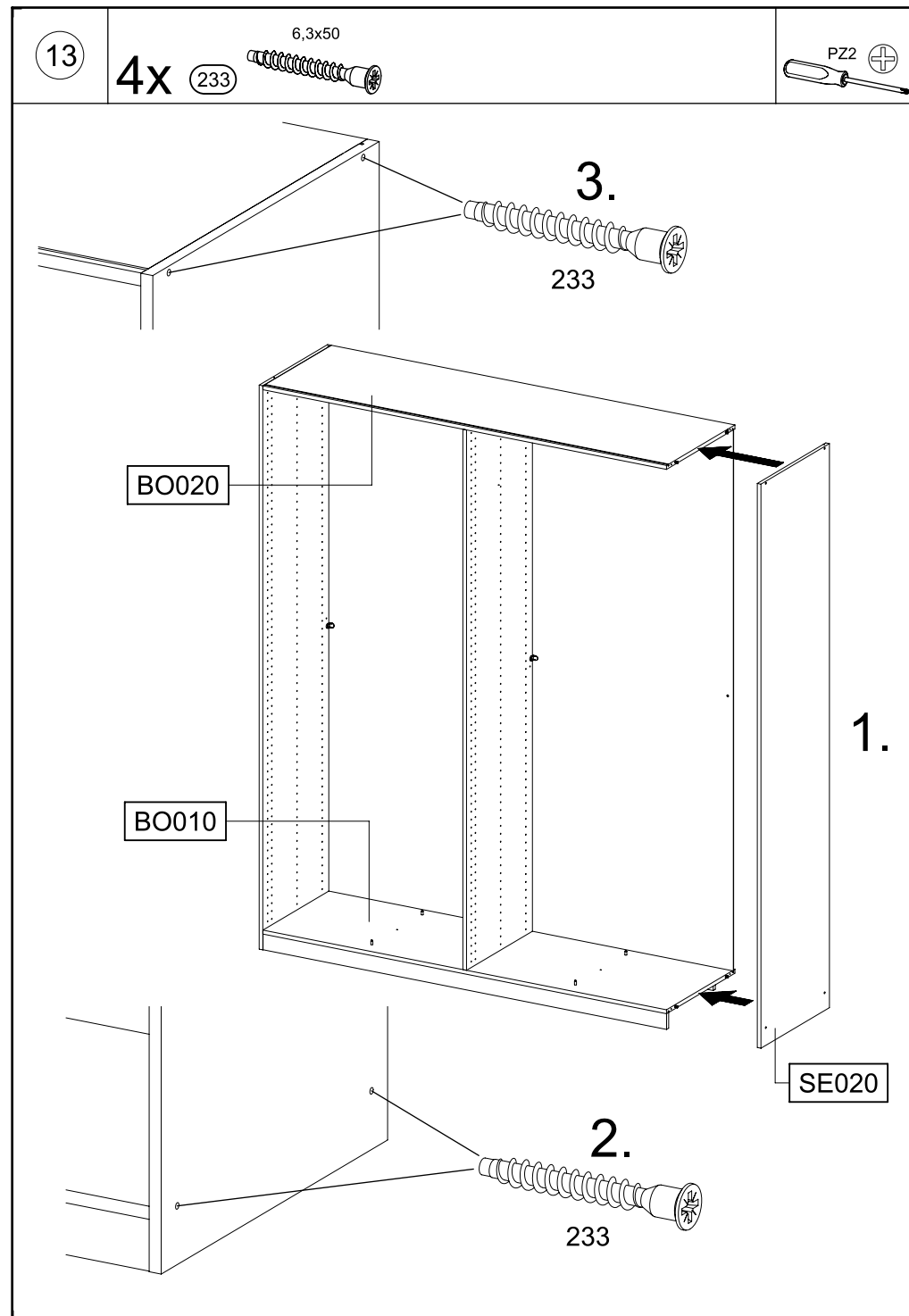
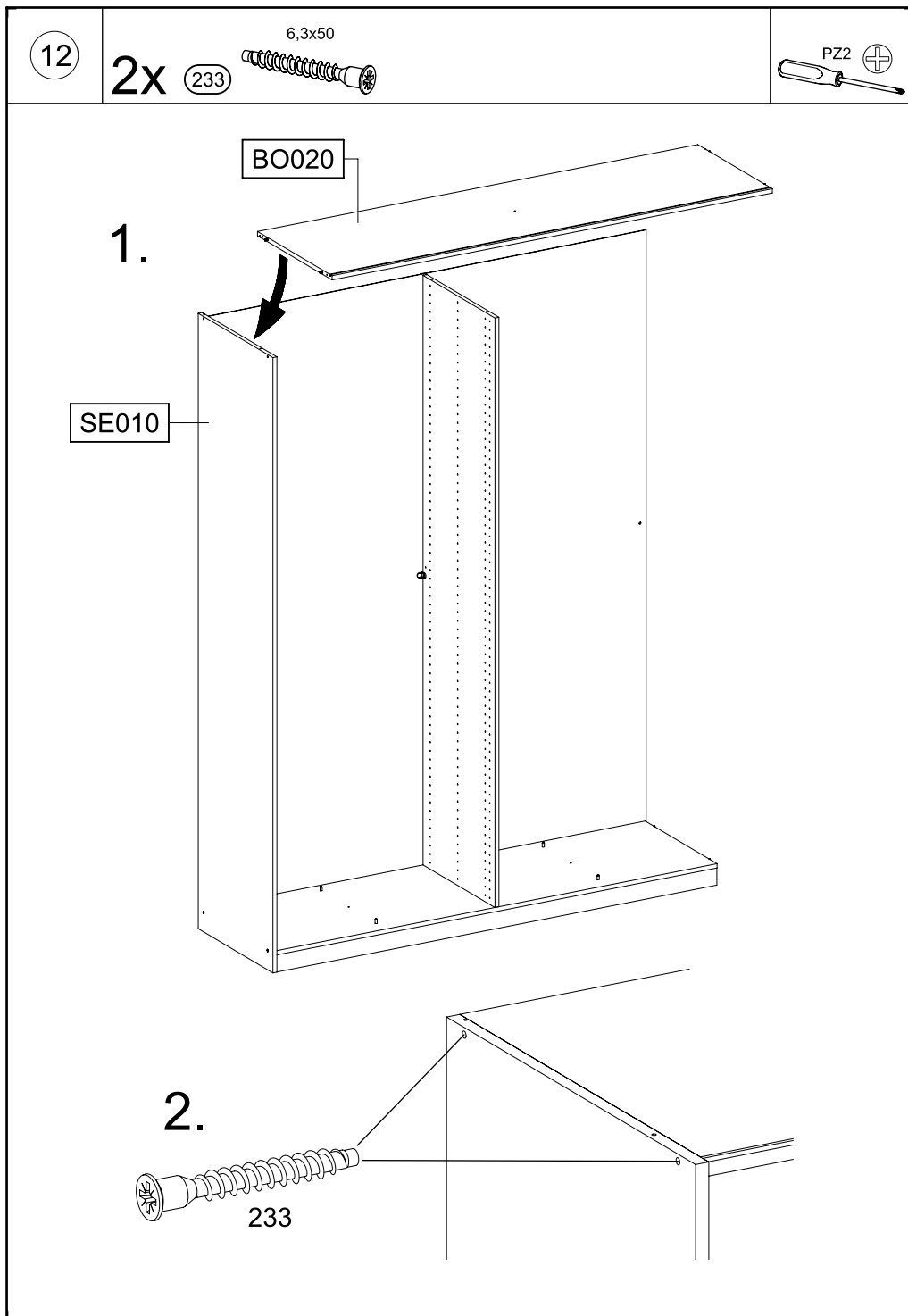






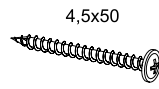




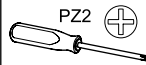


14

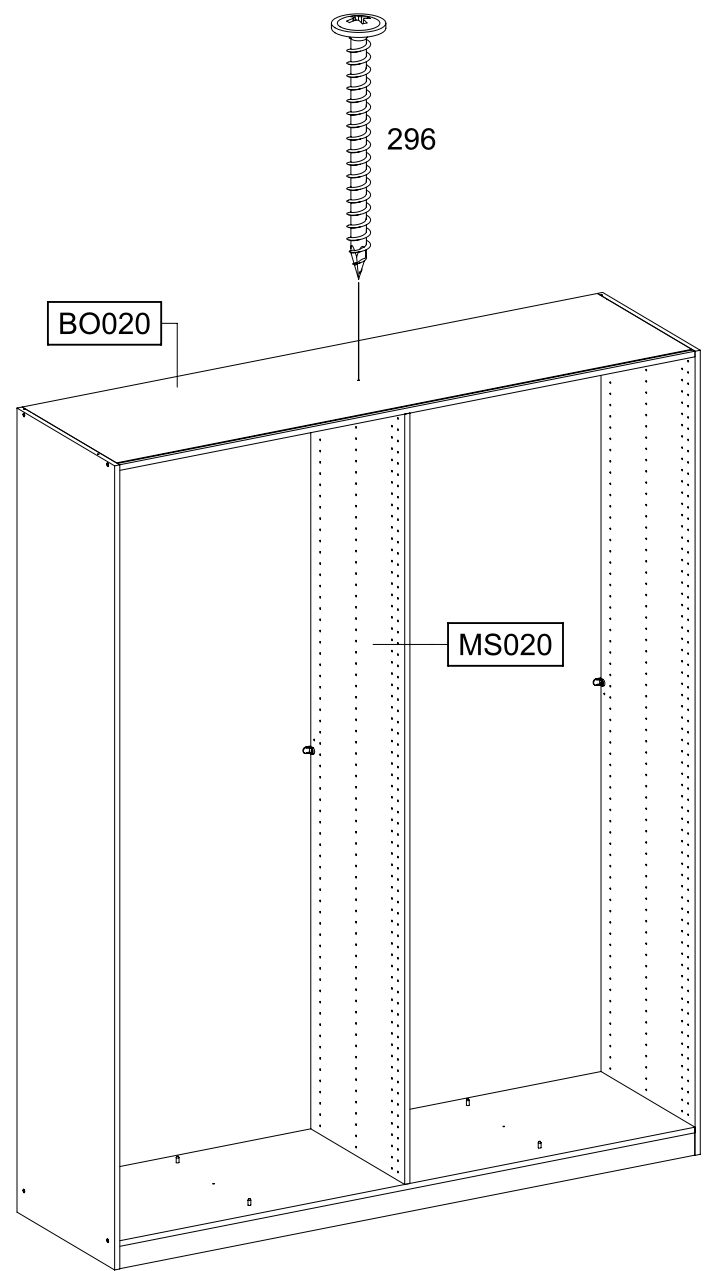
1x 296



4,5x50



PZ2



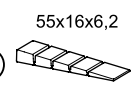
296

BO020

MS020

15

0-2x 12



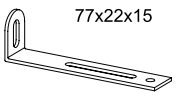
55x16x6,2

2x 201

4x15



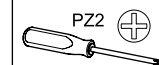
1x 68



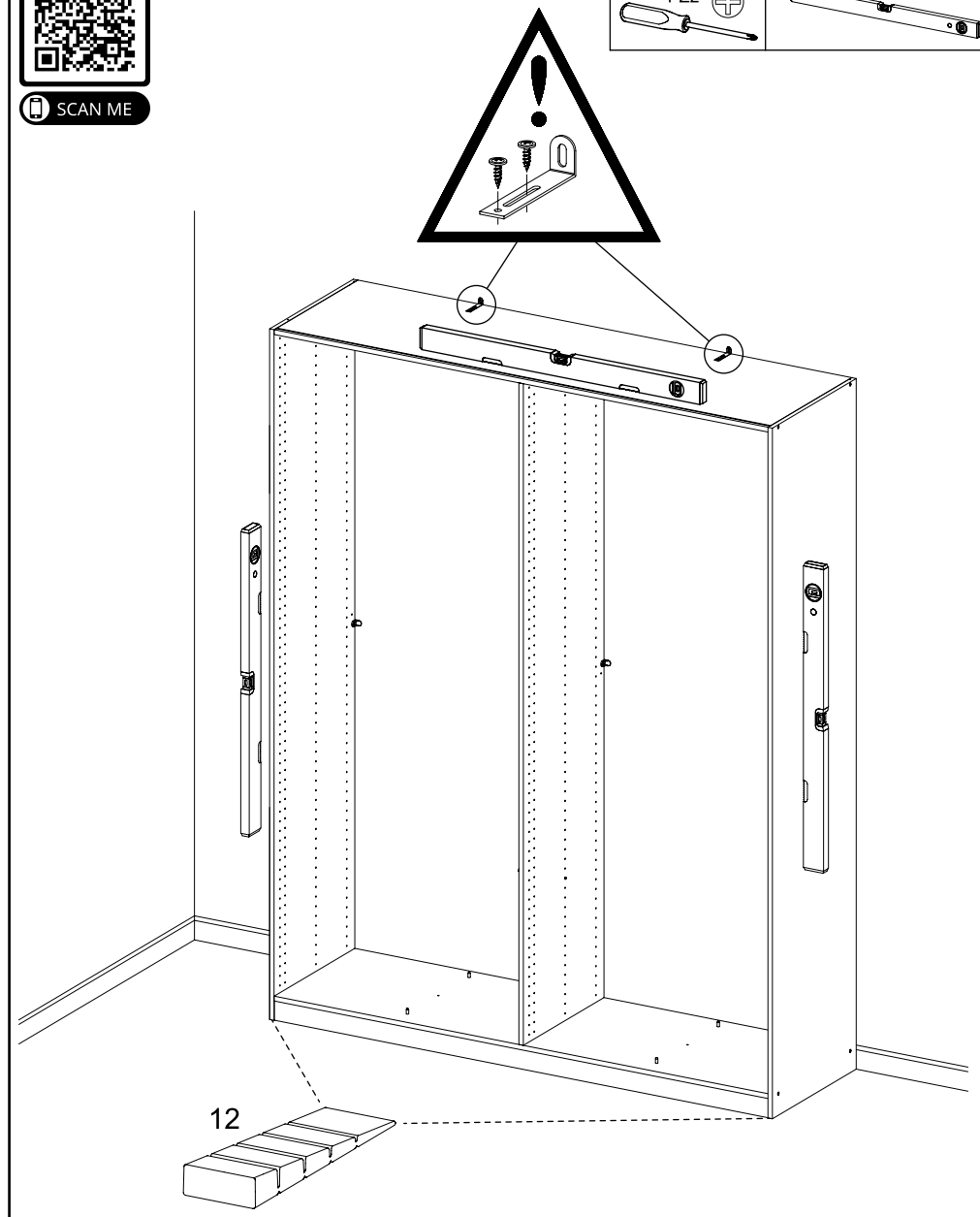
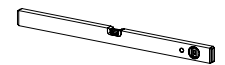
77x22x15



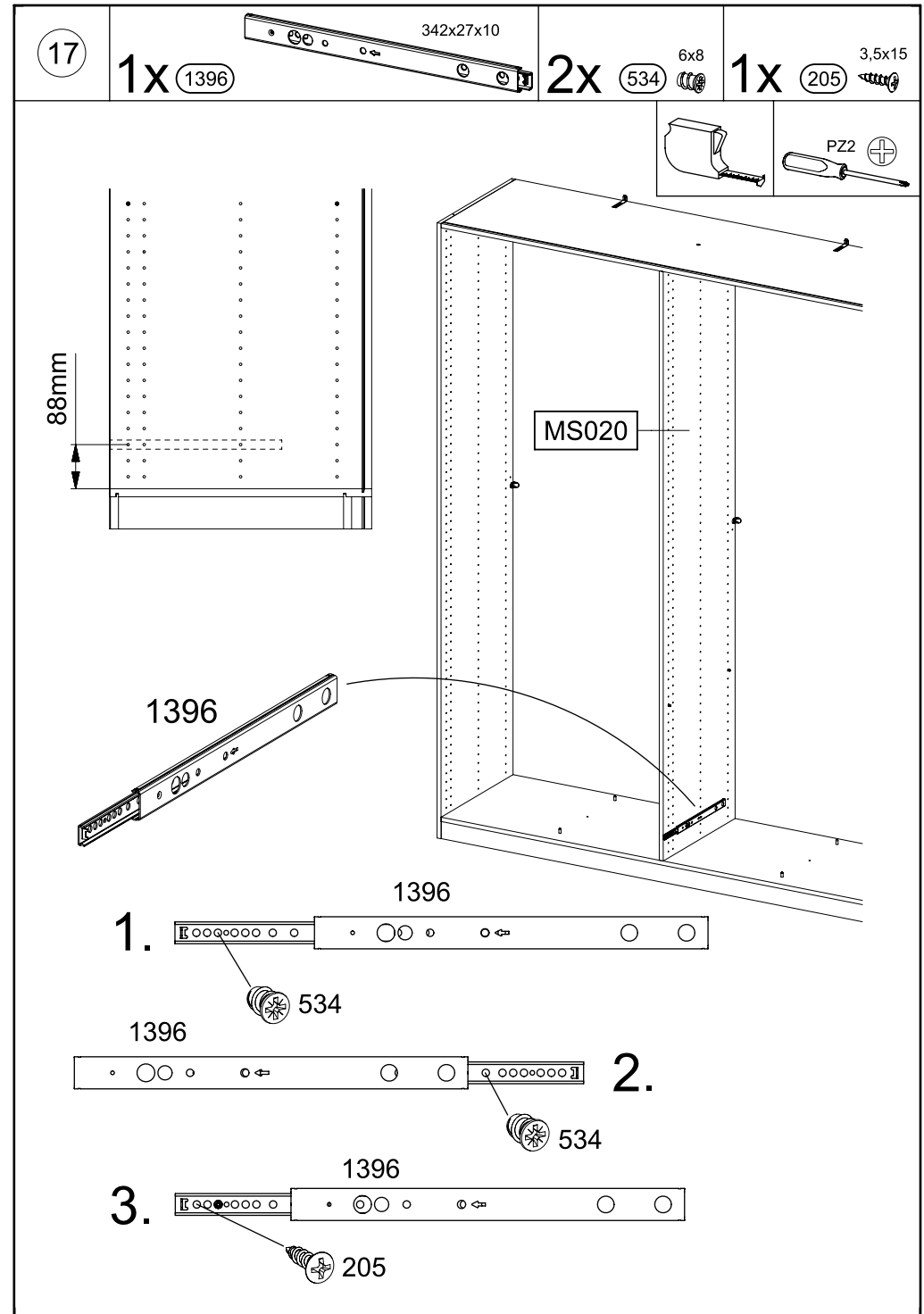
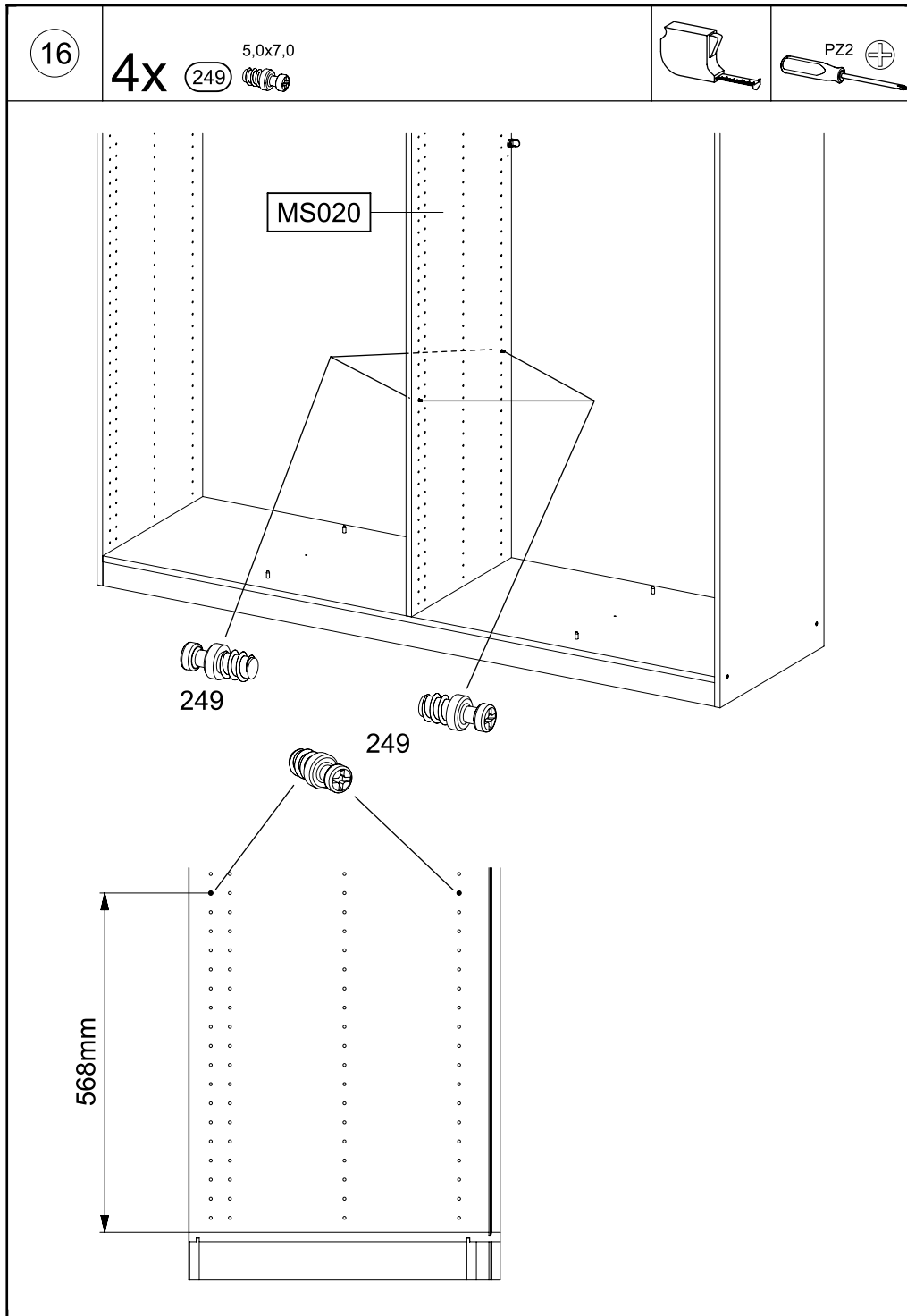
SCAN ME

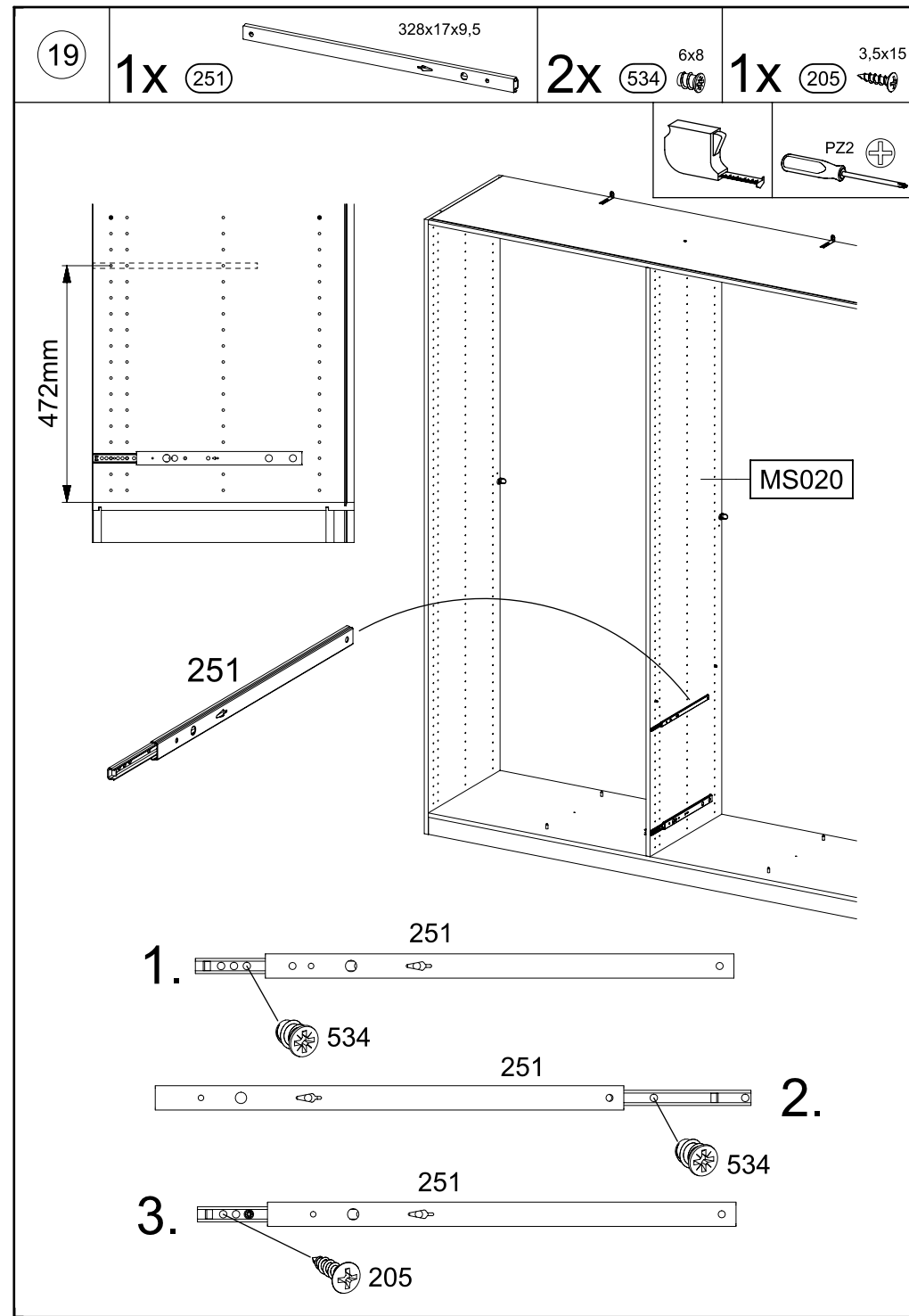
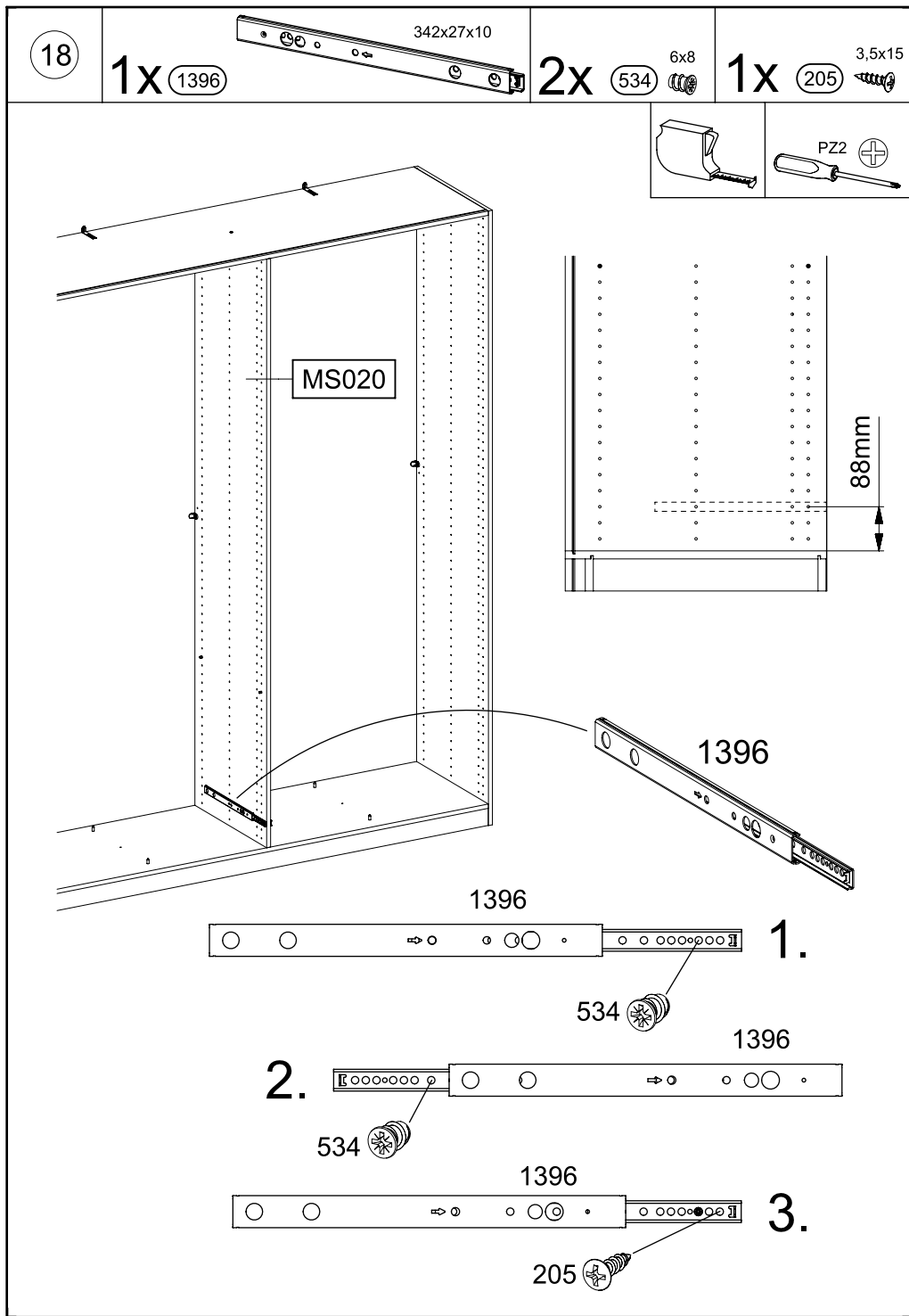


PZ2



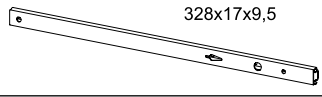
12





20

1x 251



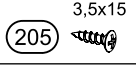
328x17x9,5

2x 534

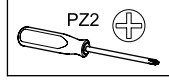


6x8

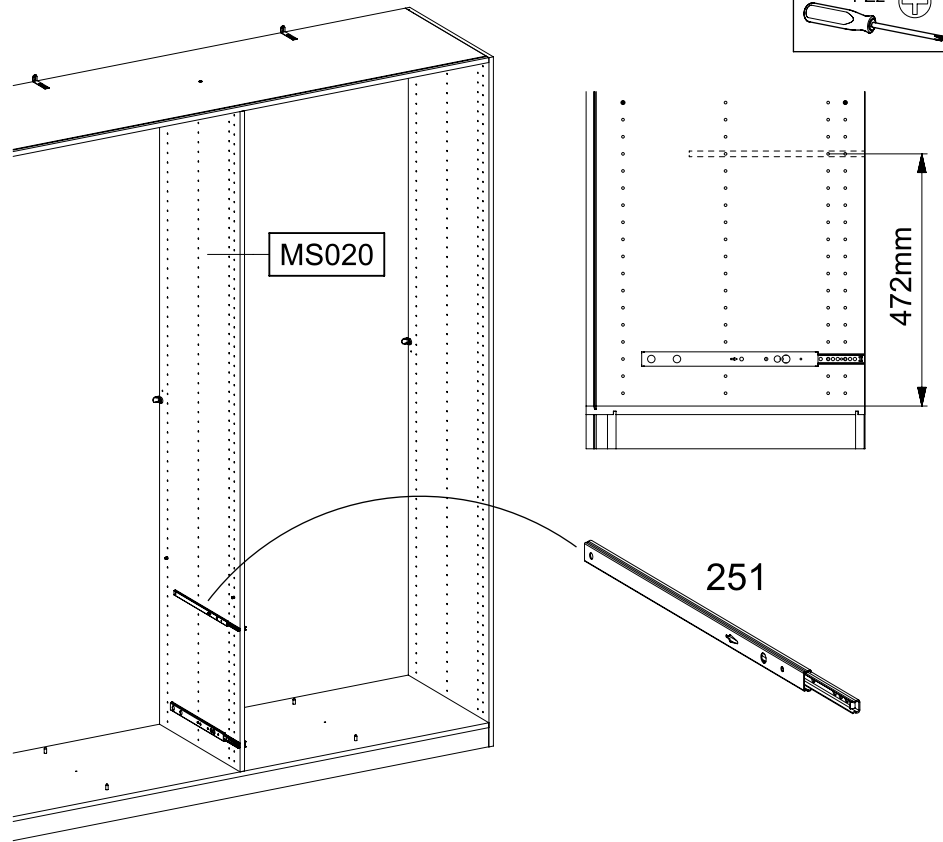
1x 205



3,5x15



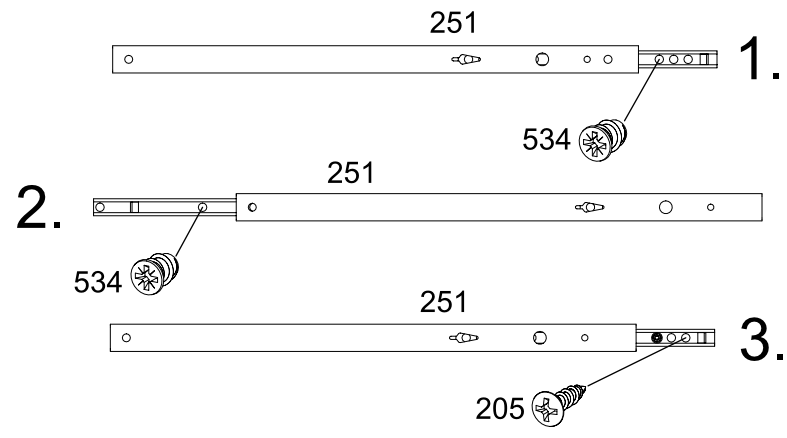
PZ2



MS020

472mm

251



251

1.

534

251

2.

534

251

3.

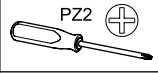
205

21

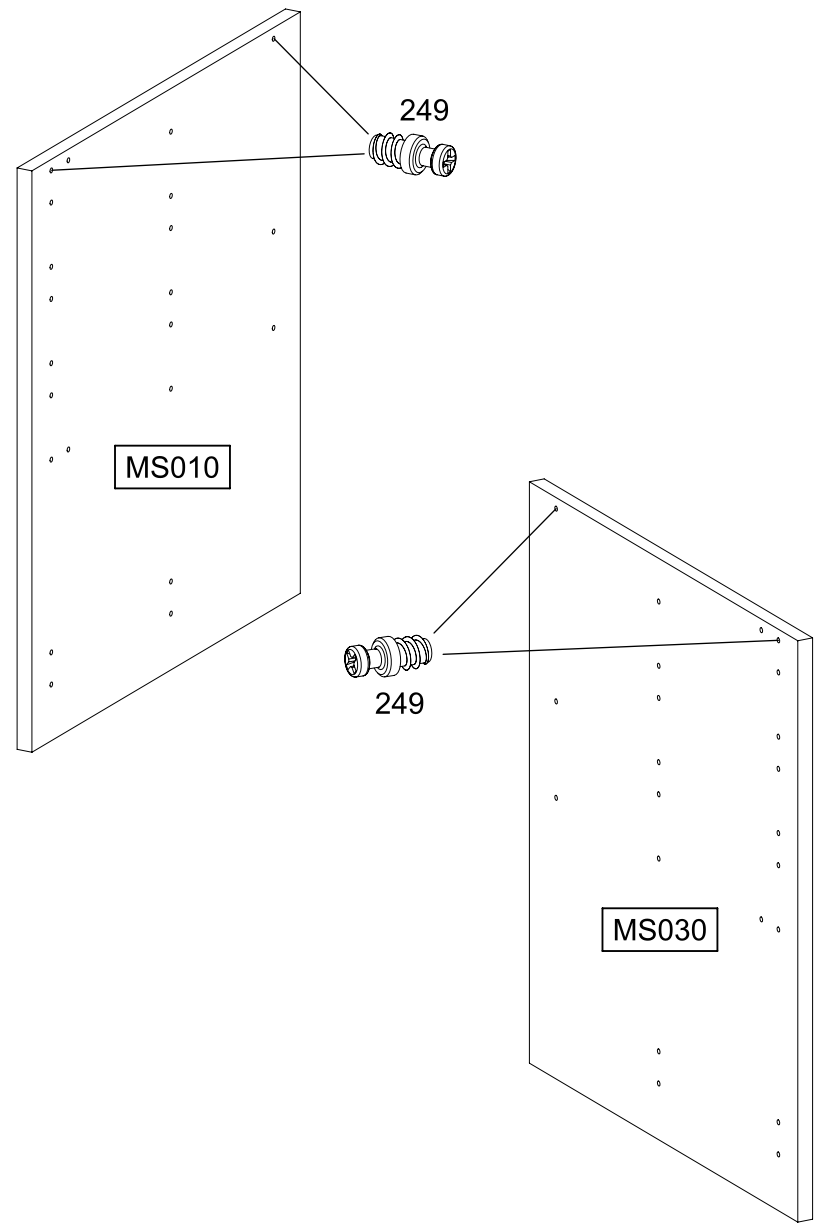
4x 249



5,0x7,0



PZ2



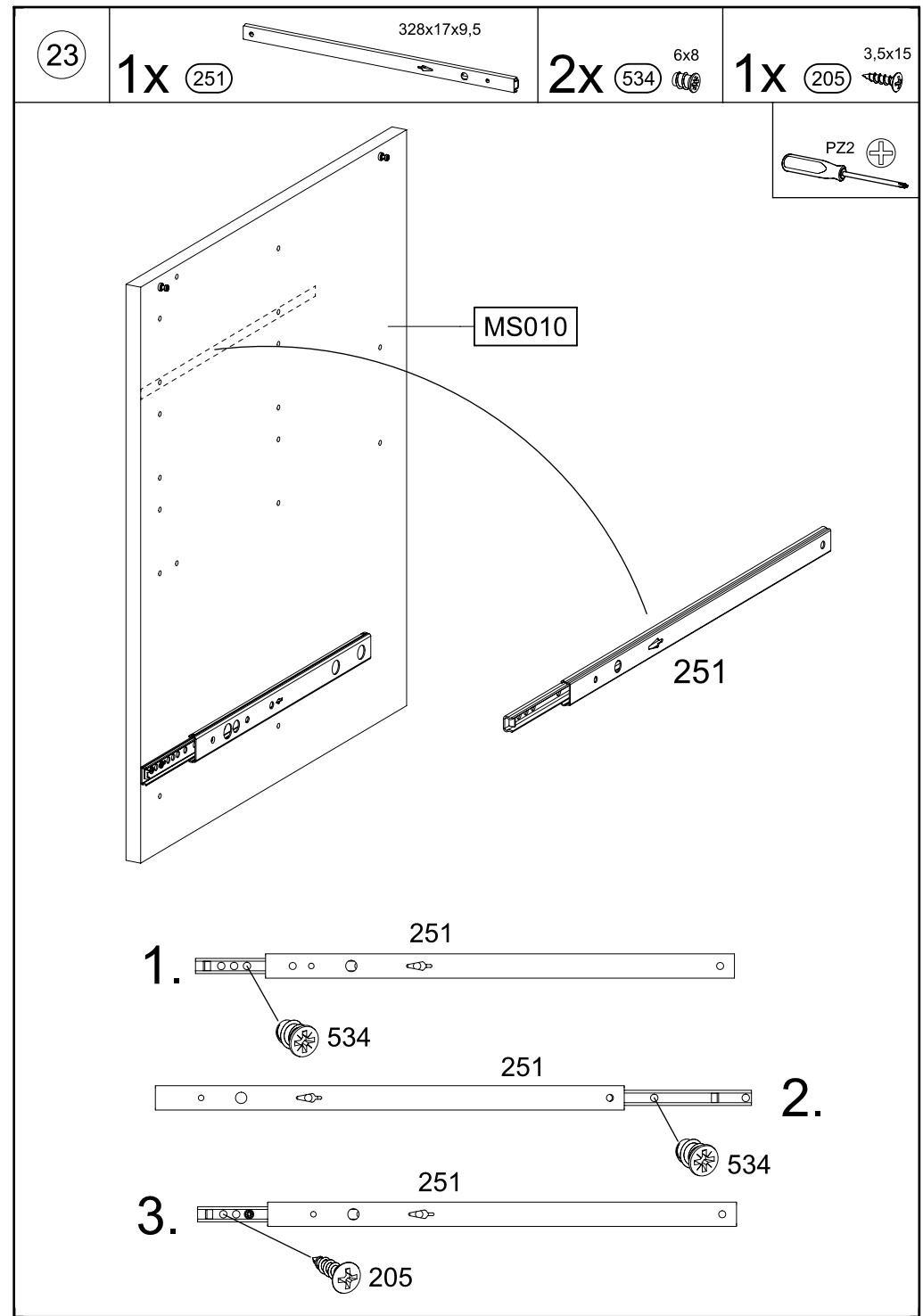
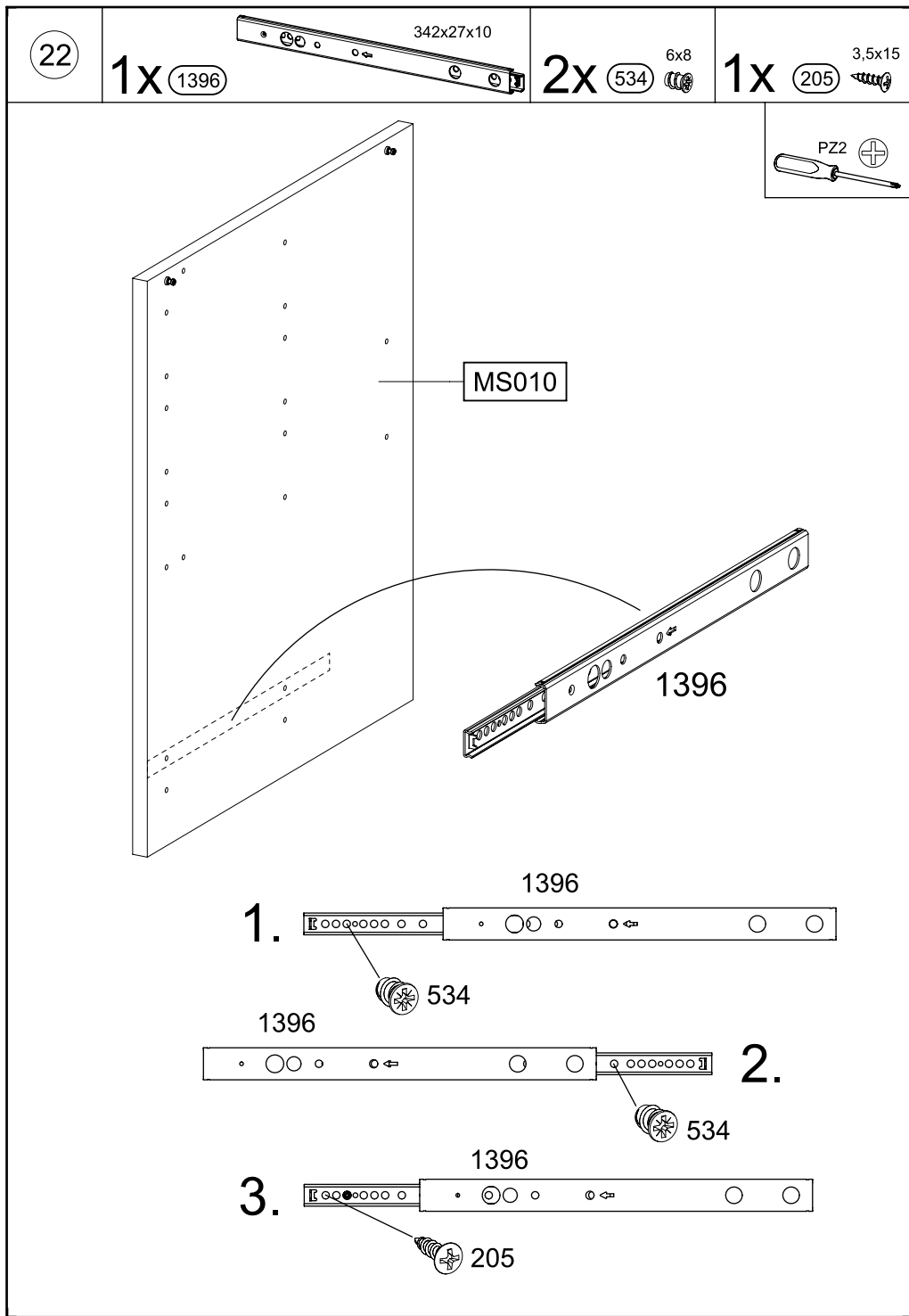
MS010

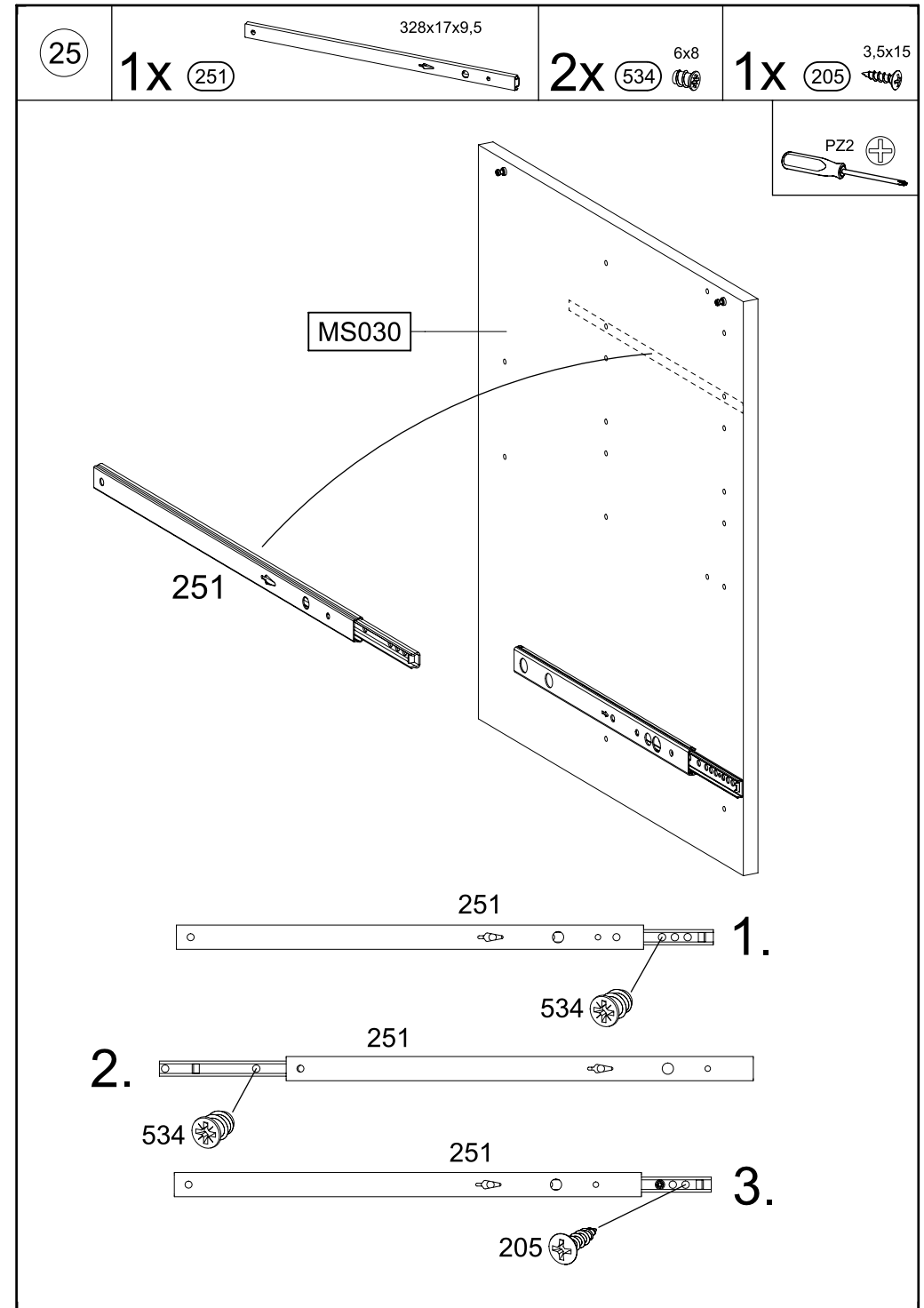
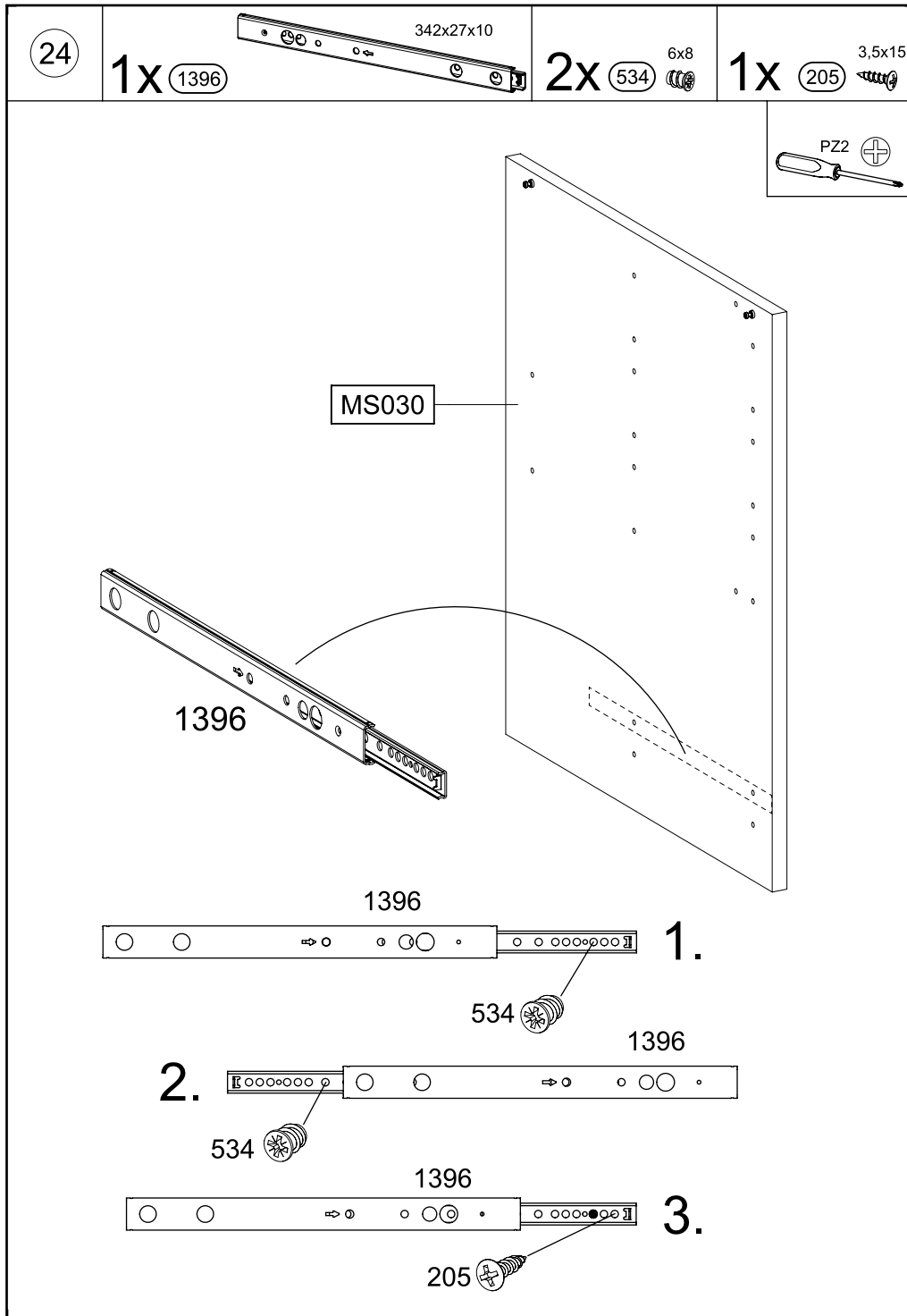
249

249

249

MS030

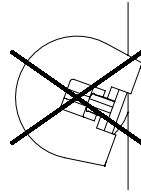
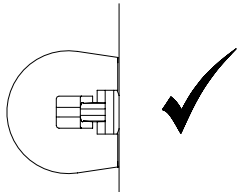
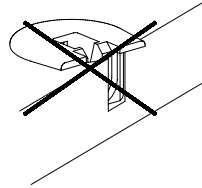
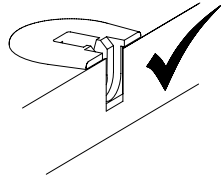
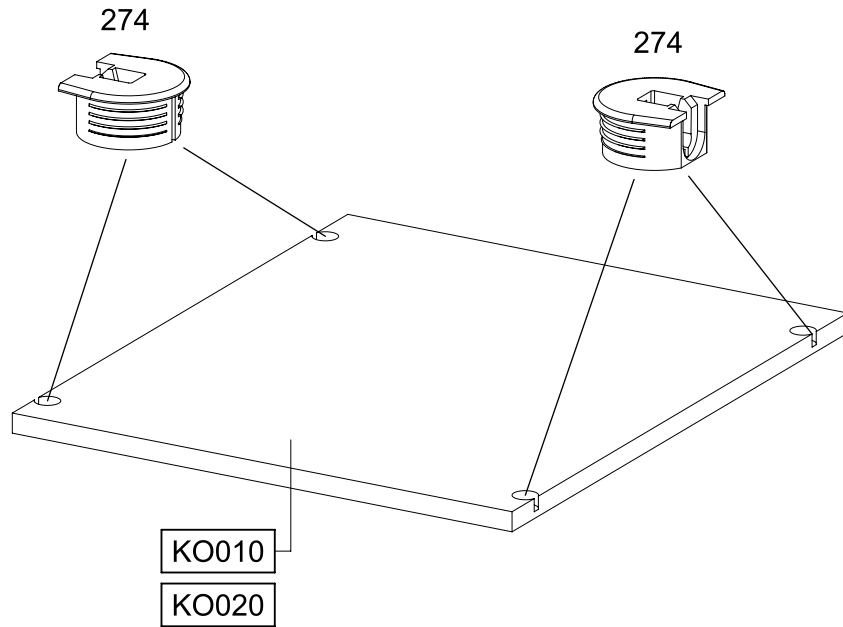
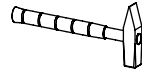




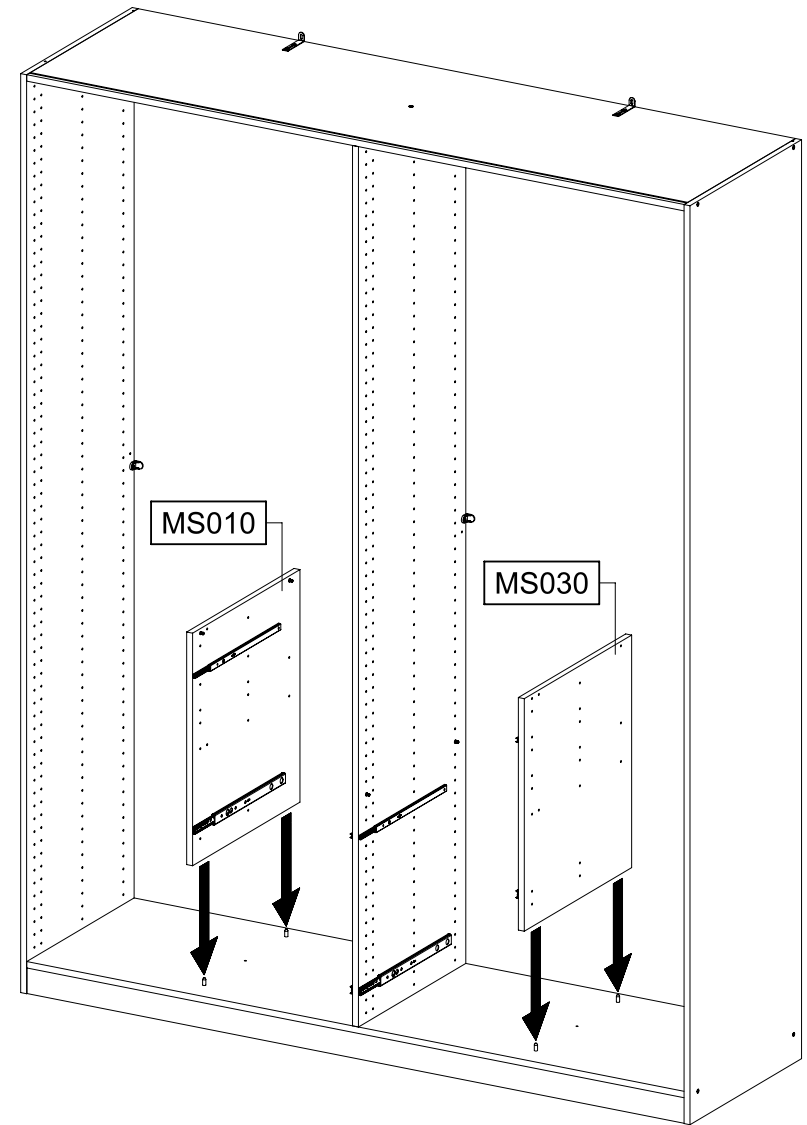
26

8x

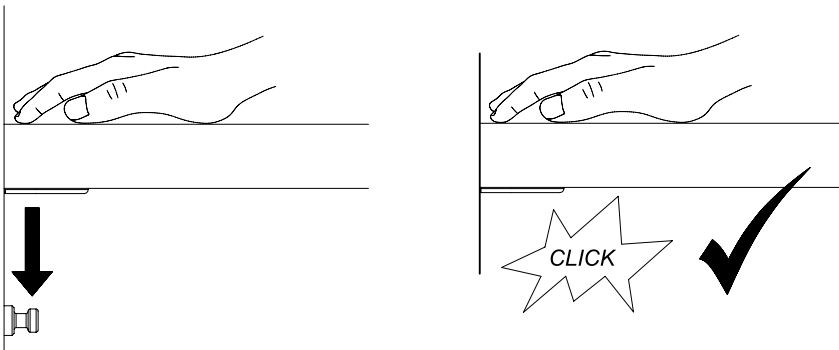
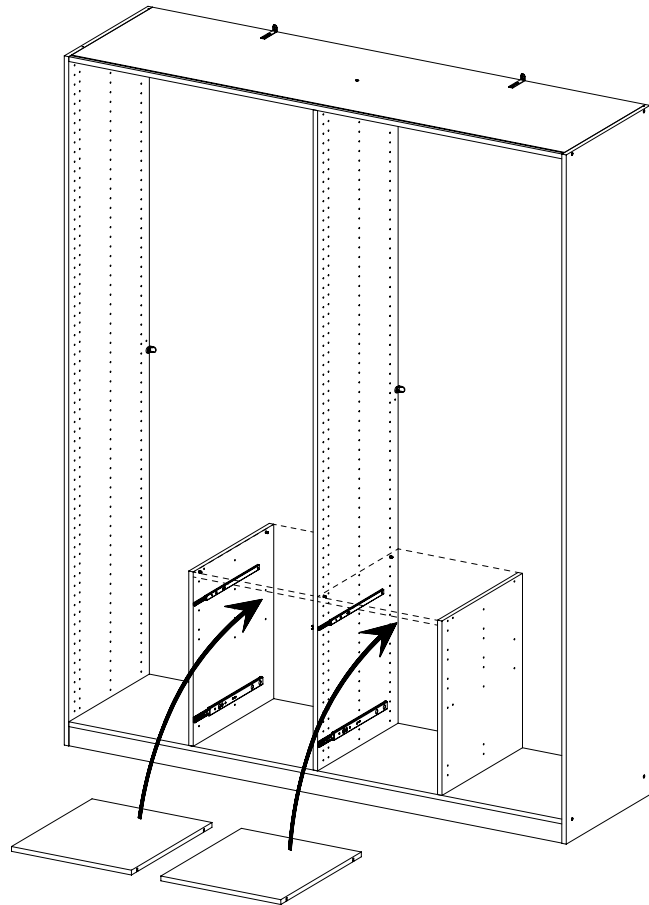
274



27



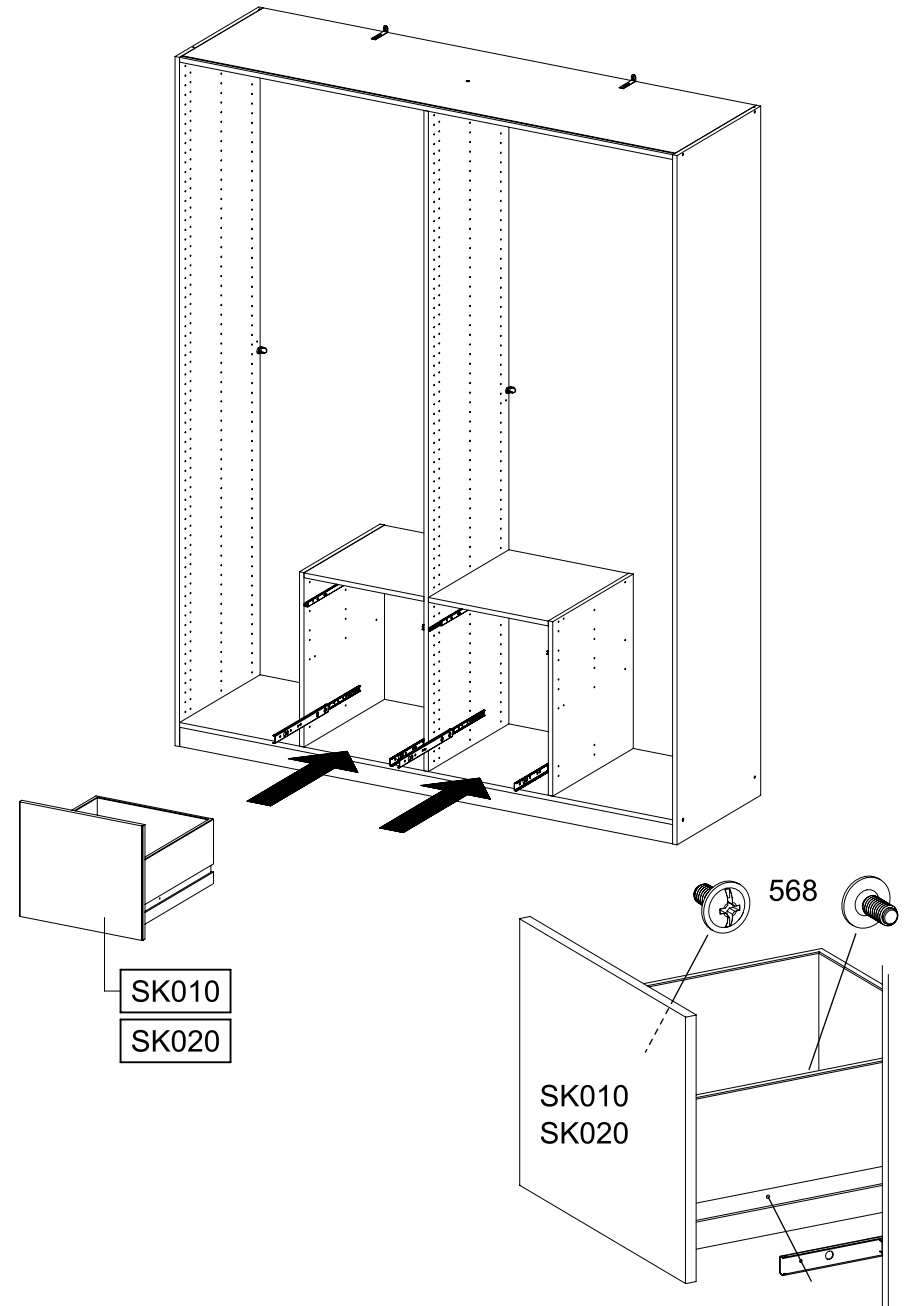
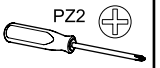
28



29

4x M4x9 568

M4x9



30

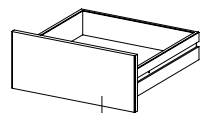
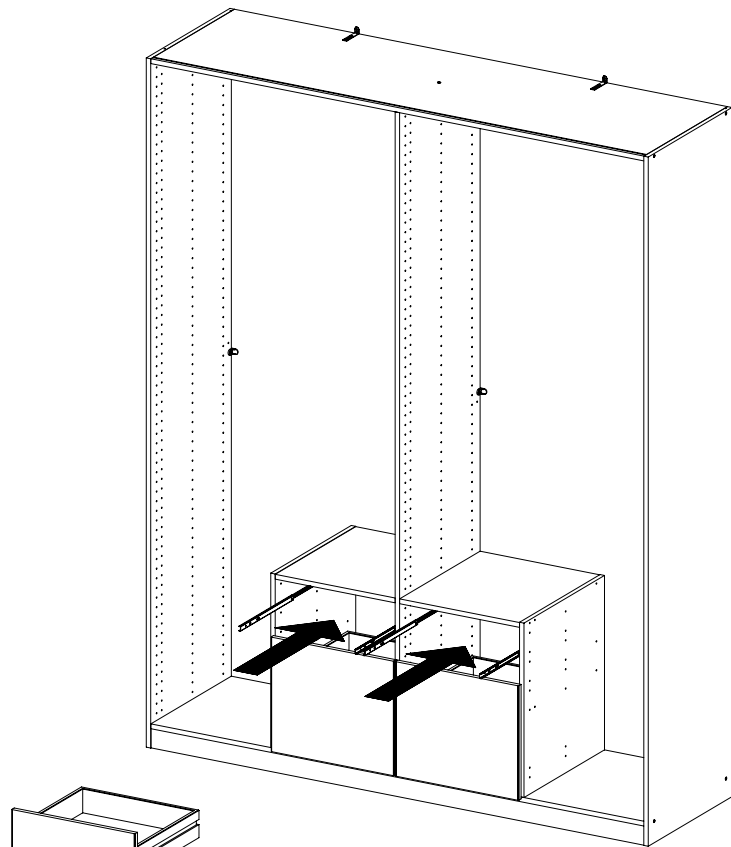
4x

568

M4x9



PZ2

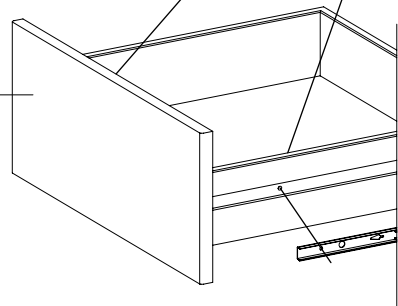


SK030

SK040



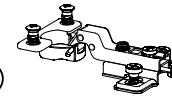
568

SK030  
SK040

31

6x

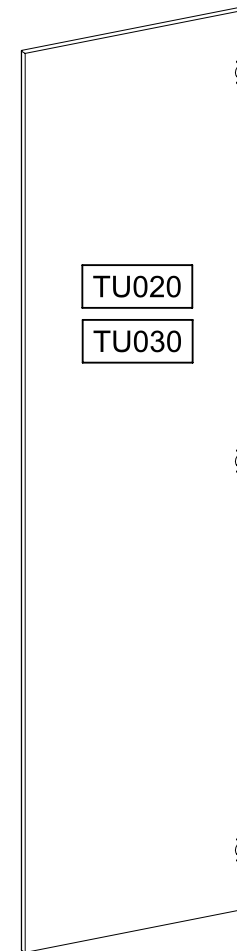
116



PZ2

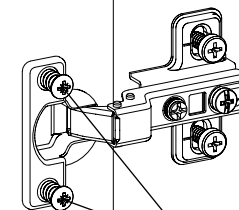


SCAN ME

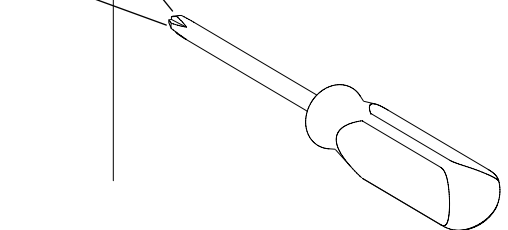


1.

116

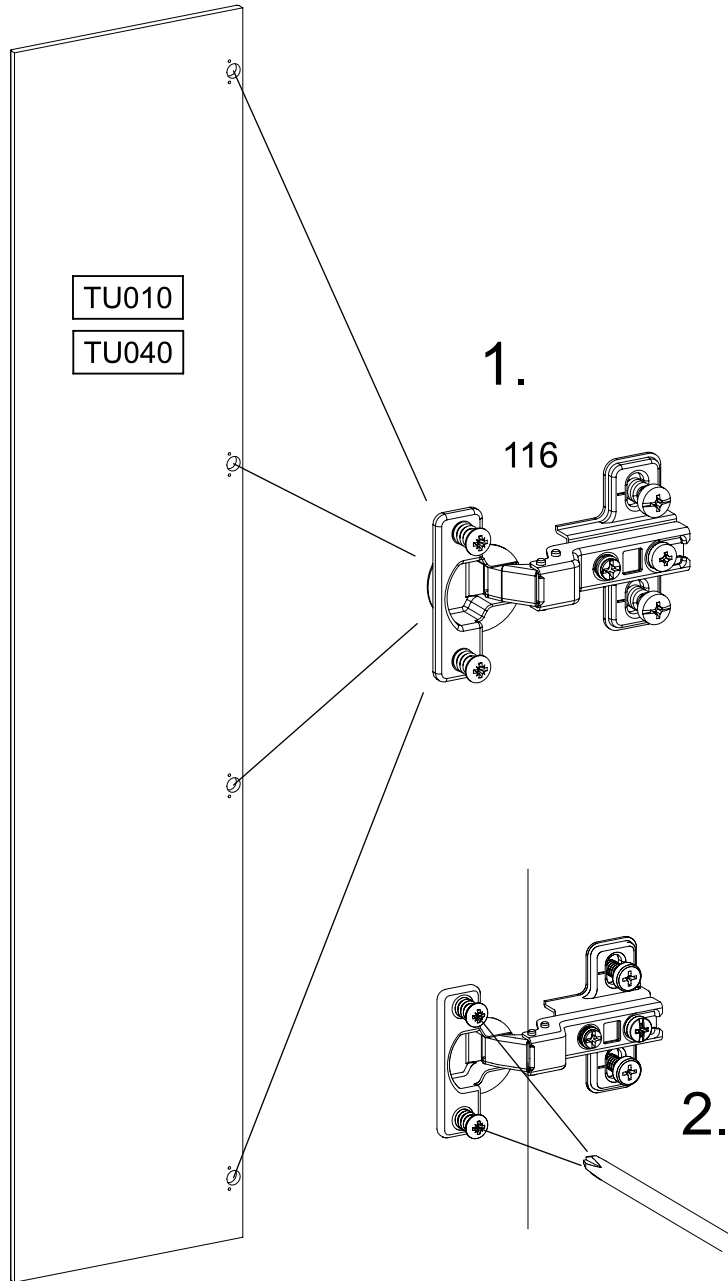
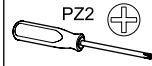
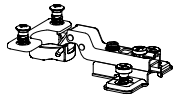


2.

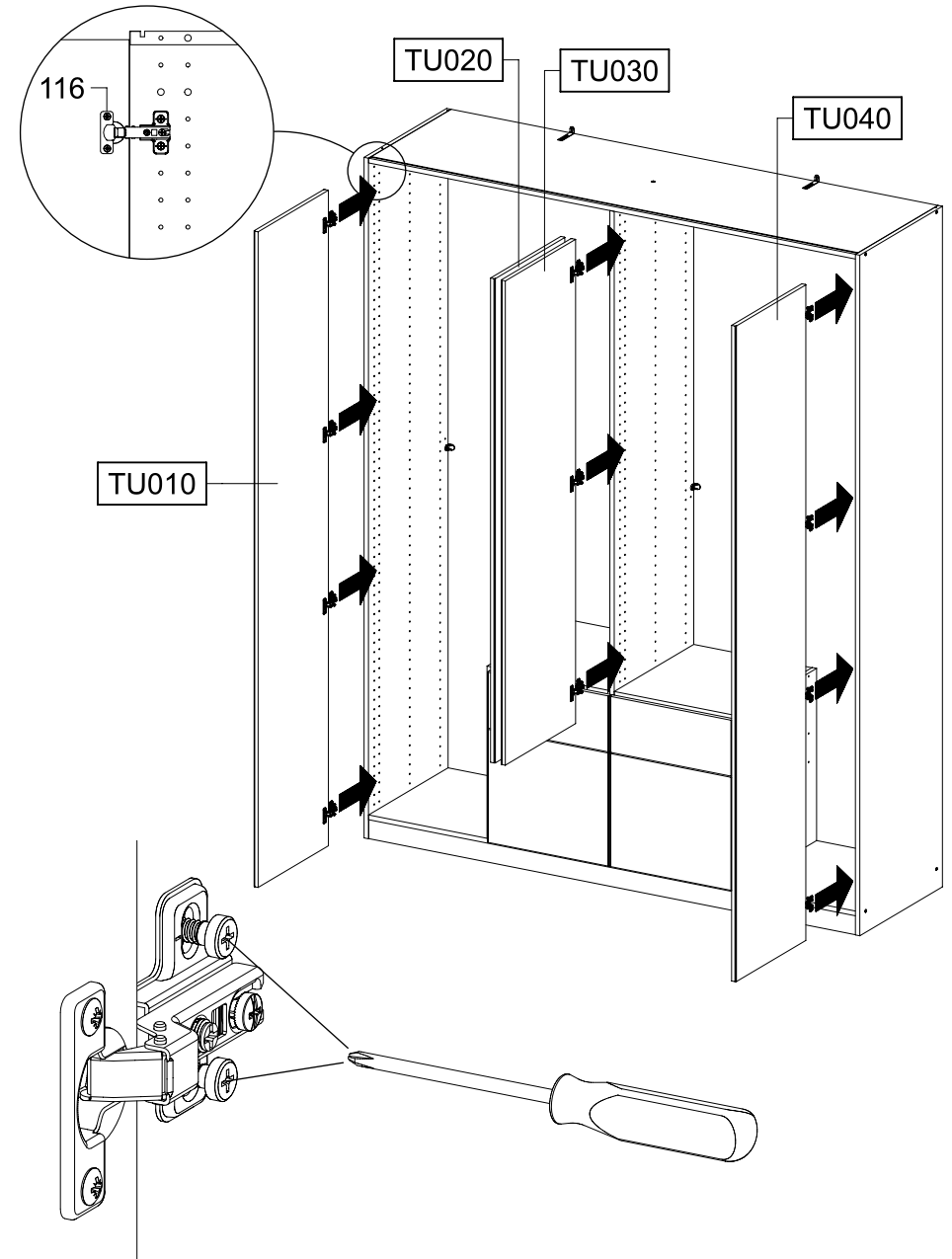
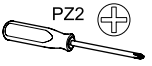


32

8x 116



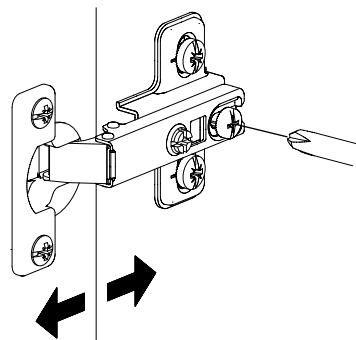
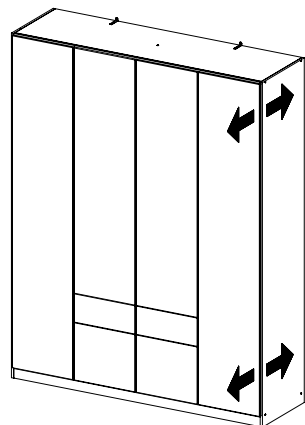
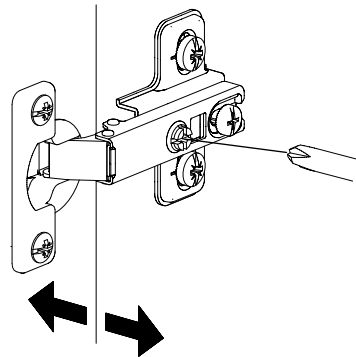
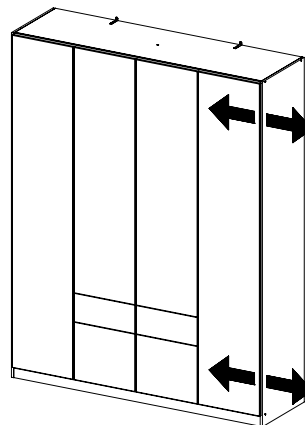
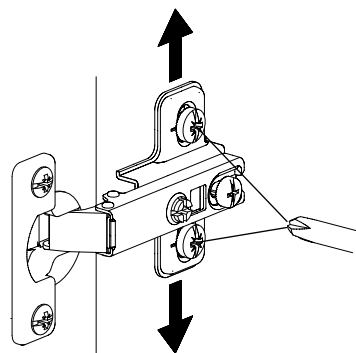
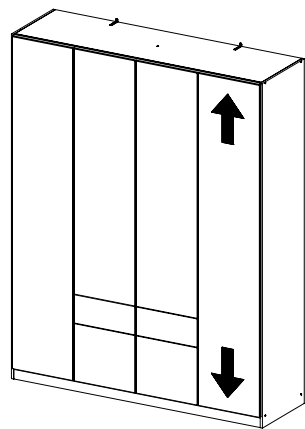
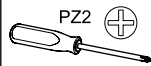
33



34



SCAN ME



35

1x RE010

