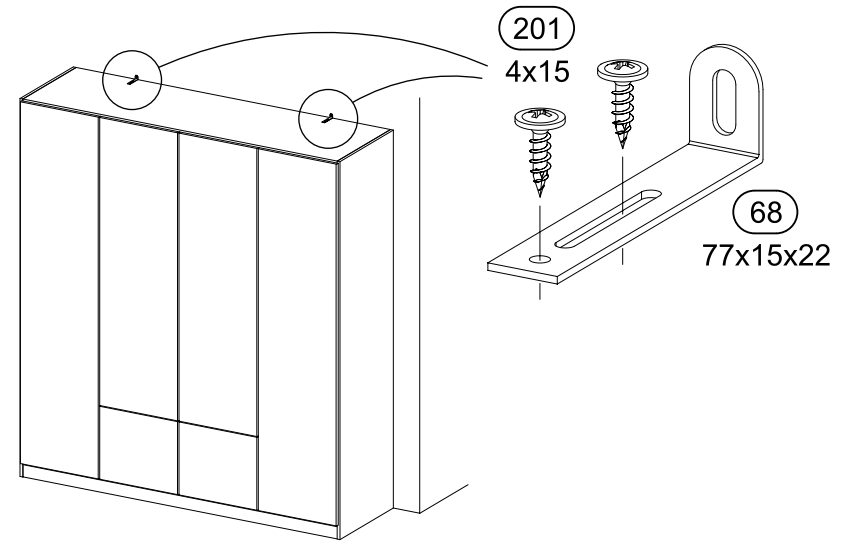
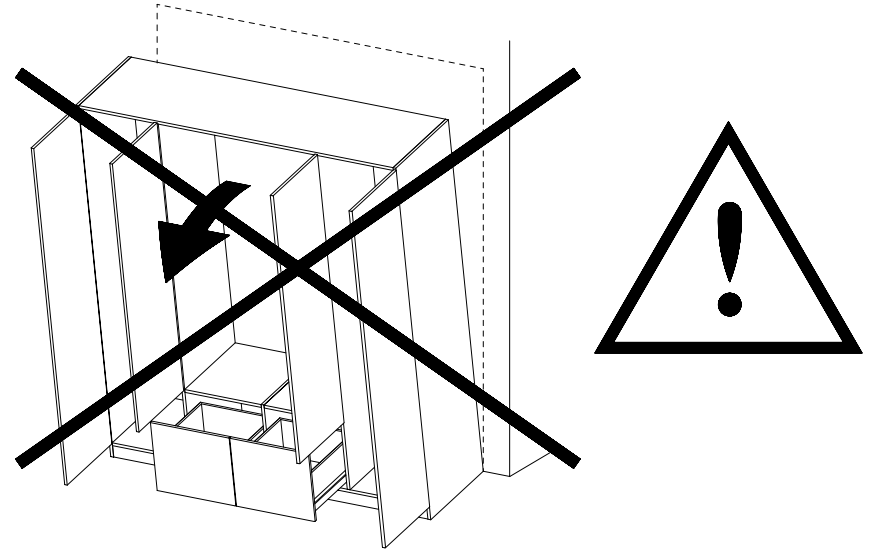
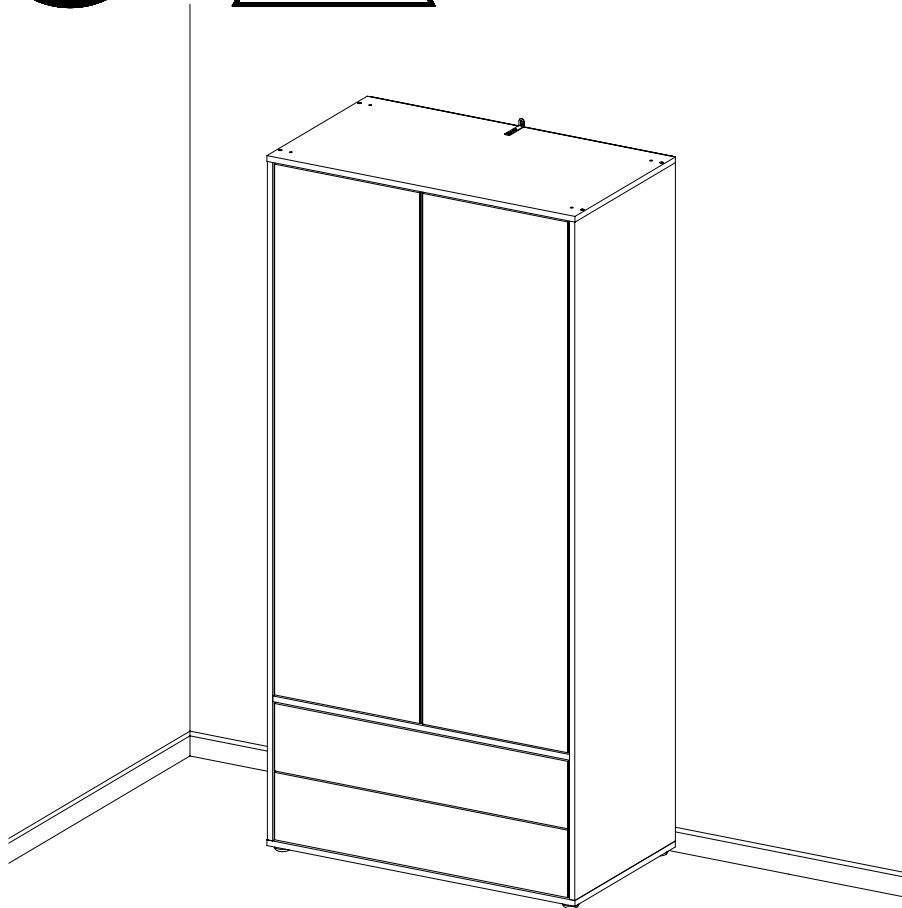
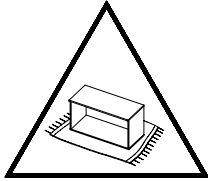
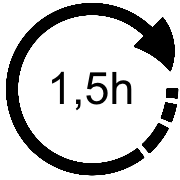
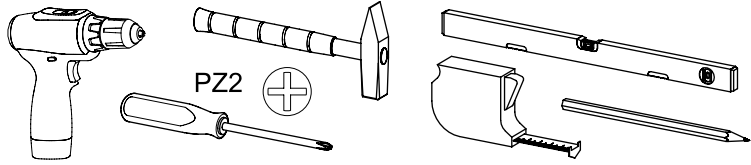


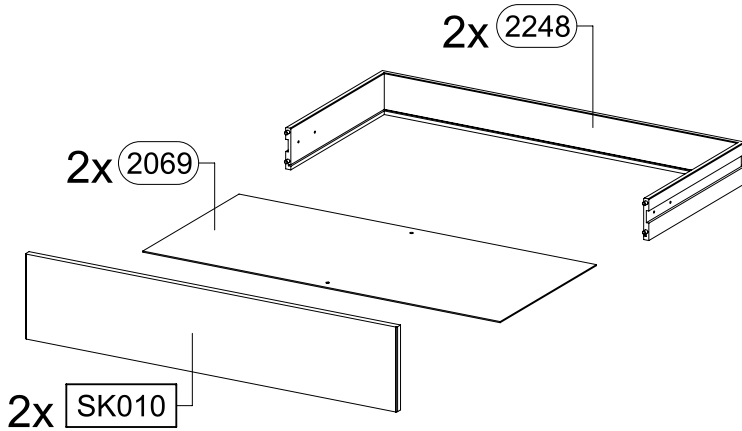
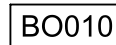
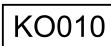
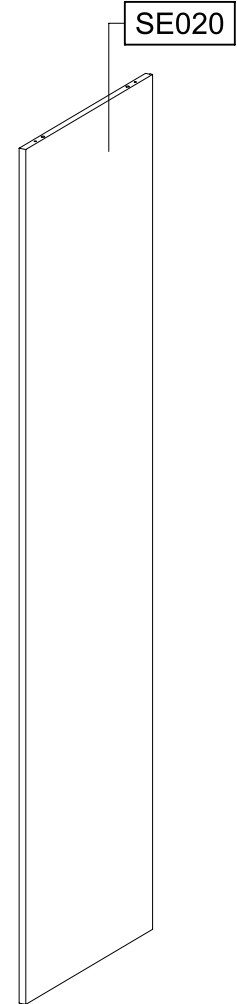
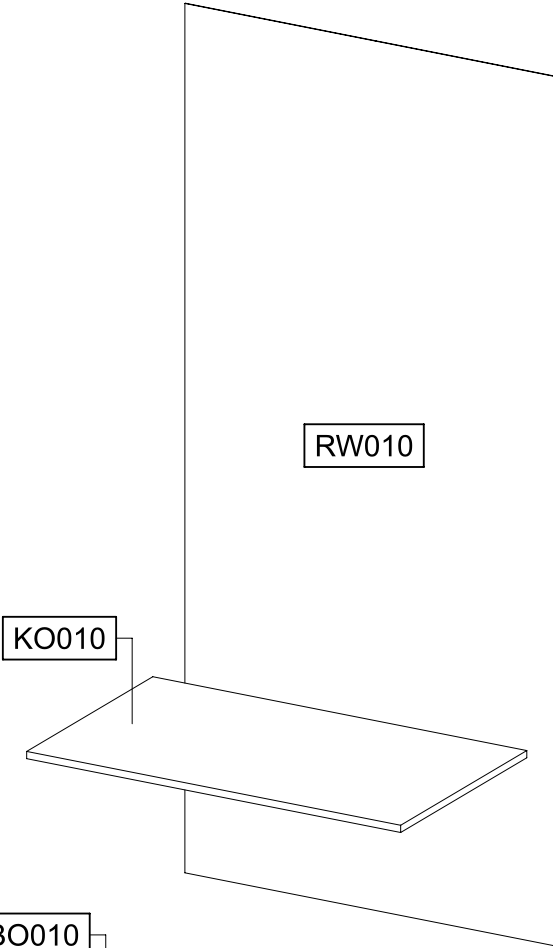
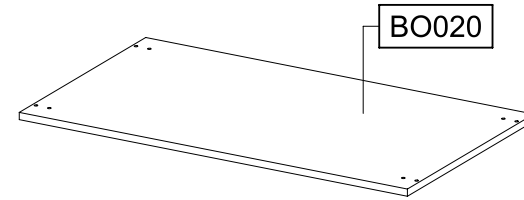
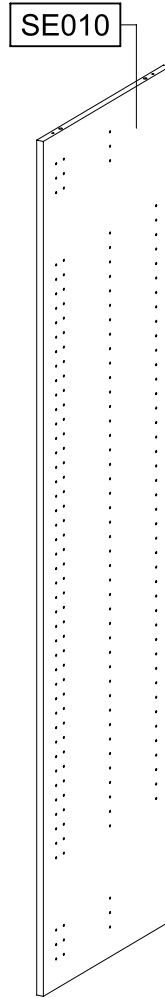
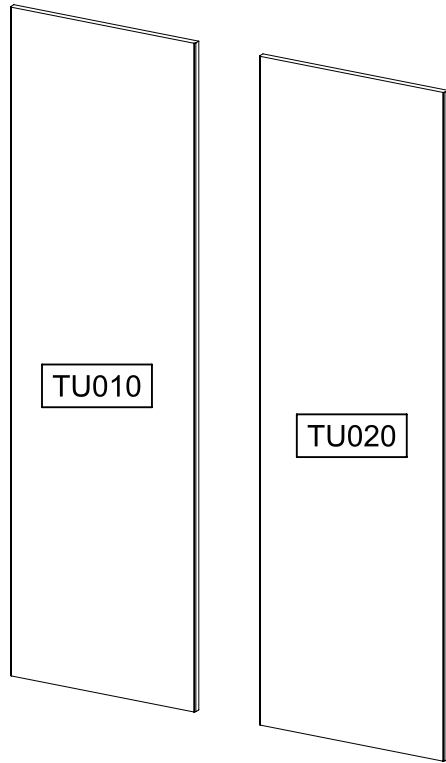
# M3208\_01

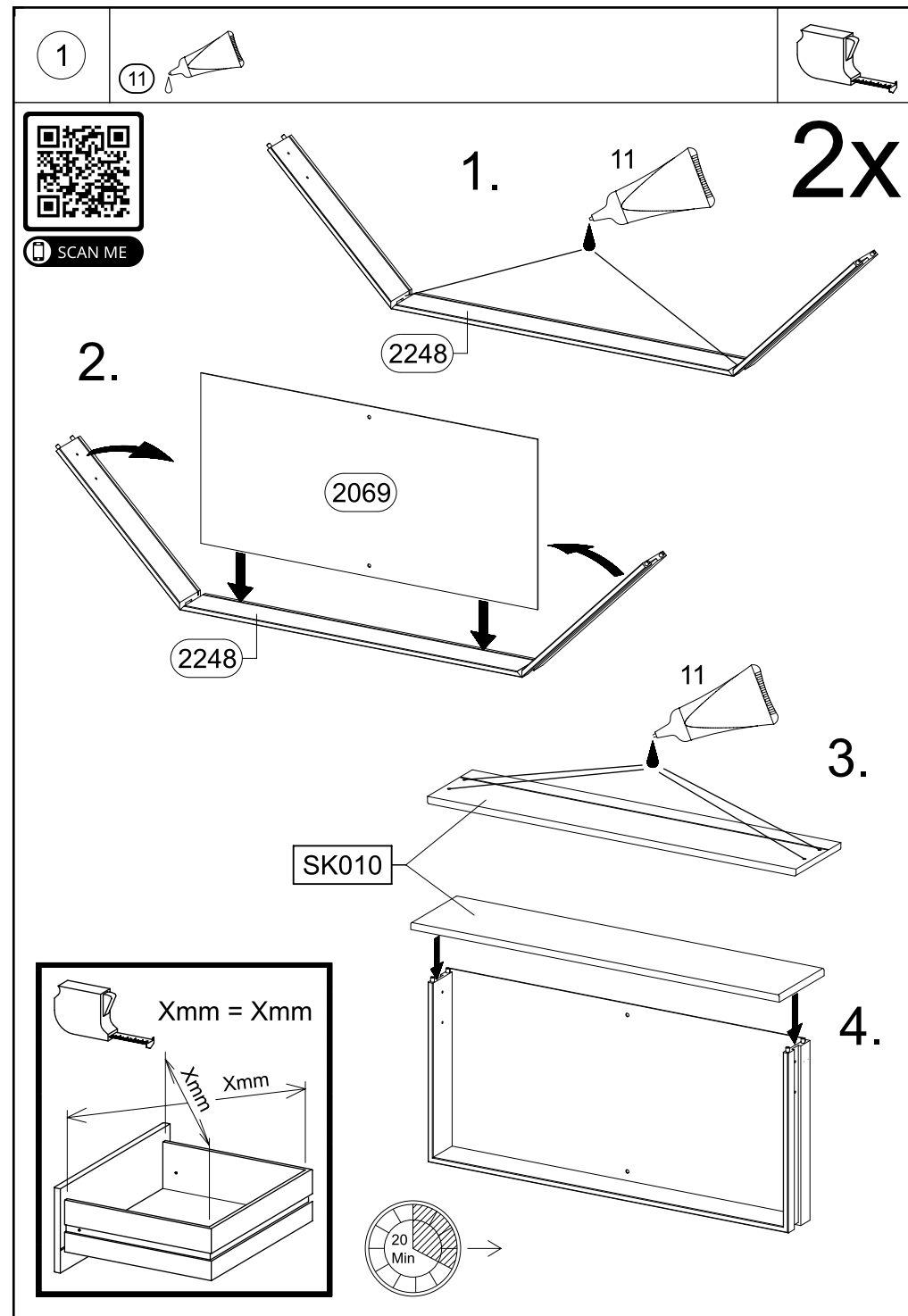
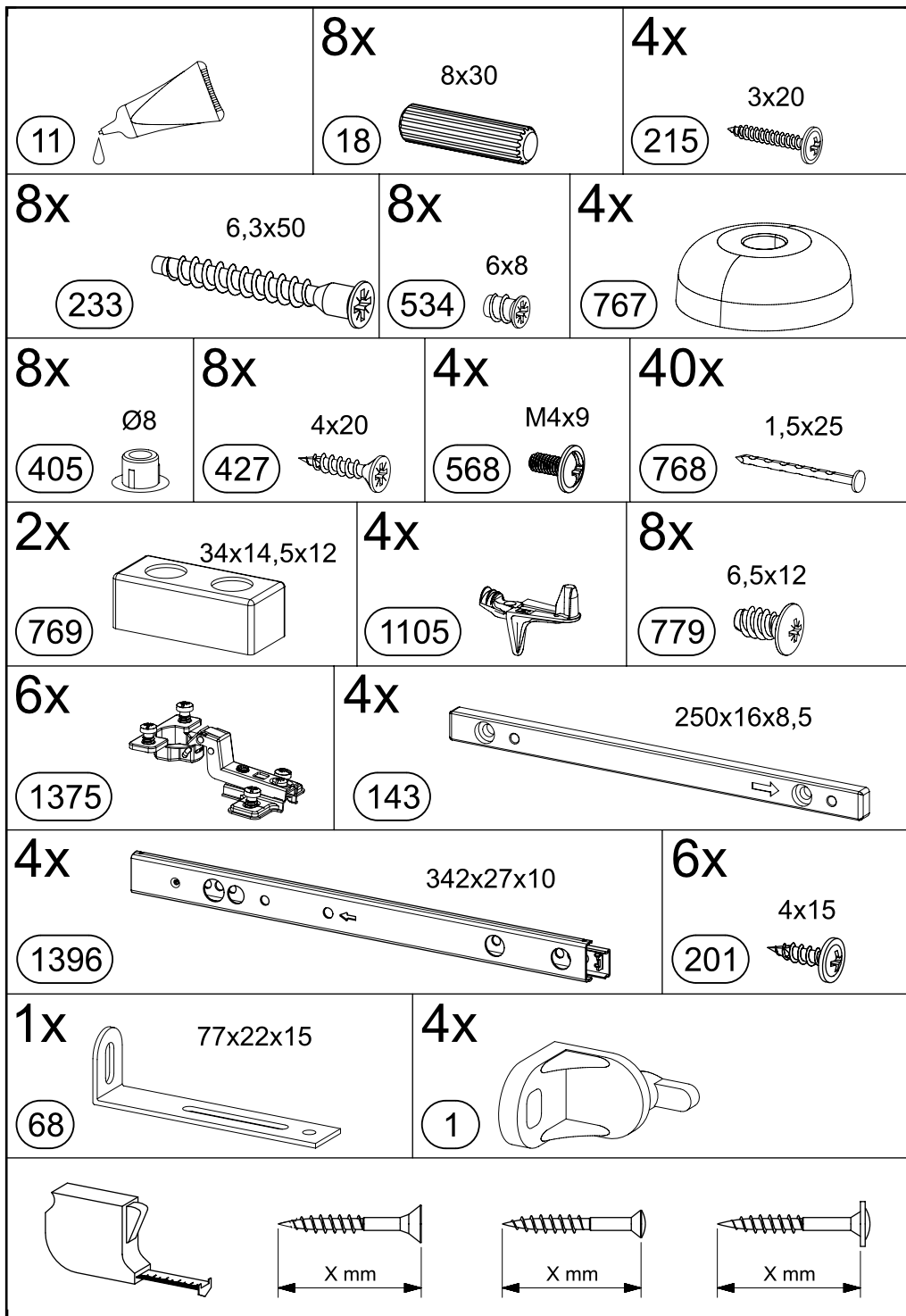


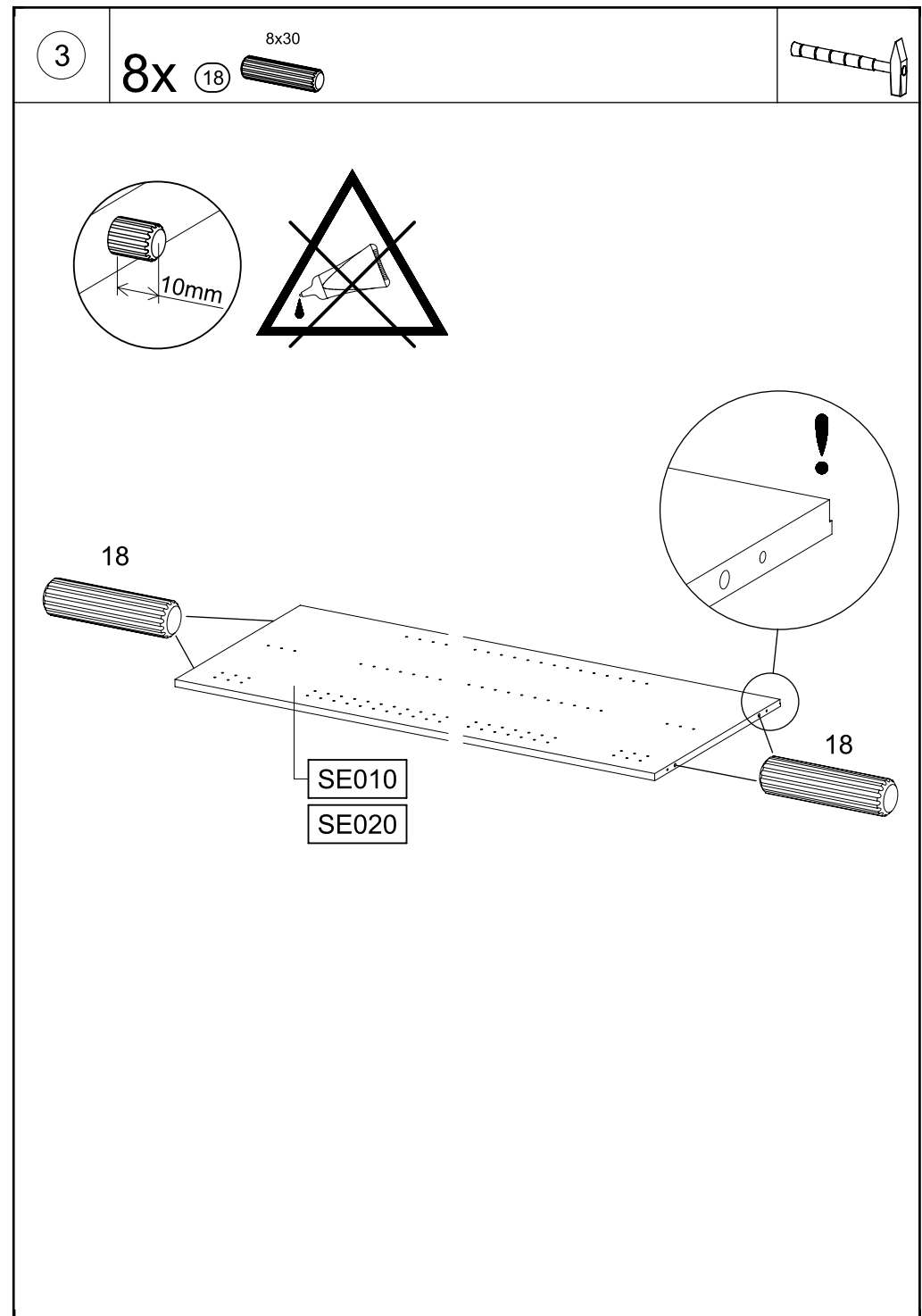
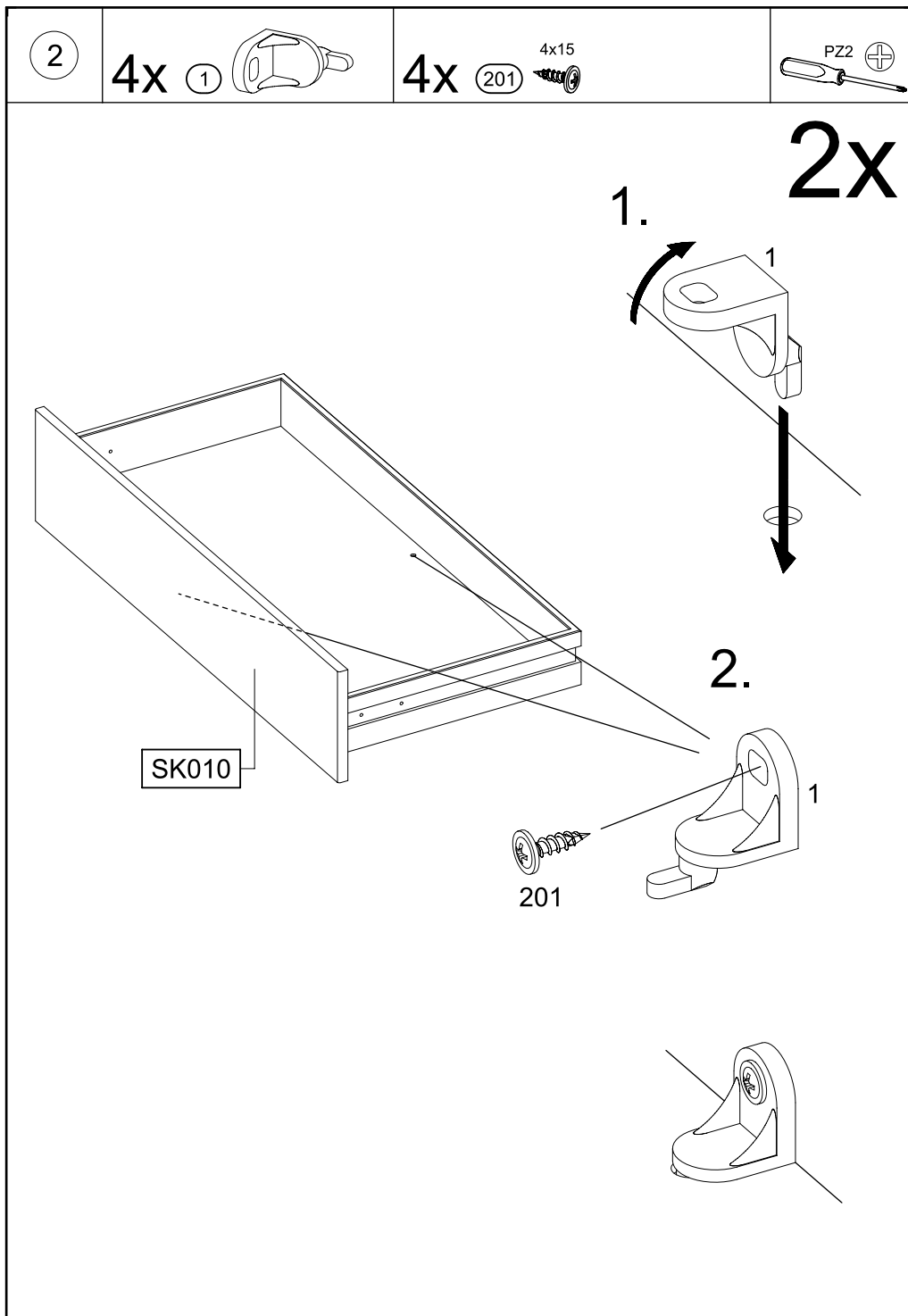
VIDEO

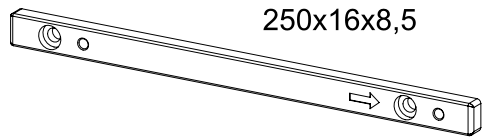


SCAN ME



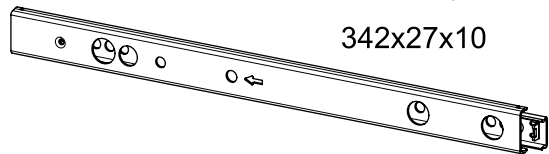






250x16x8,5

4x 143



342x27x10

4x 1396



4	4x 143	250x16x8,5	8x 779	6,5x12	PZ2
	779				

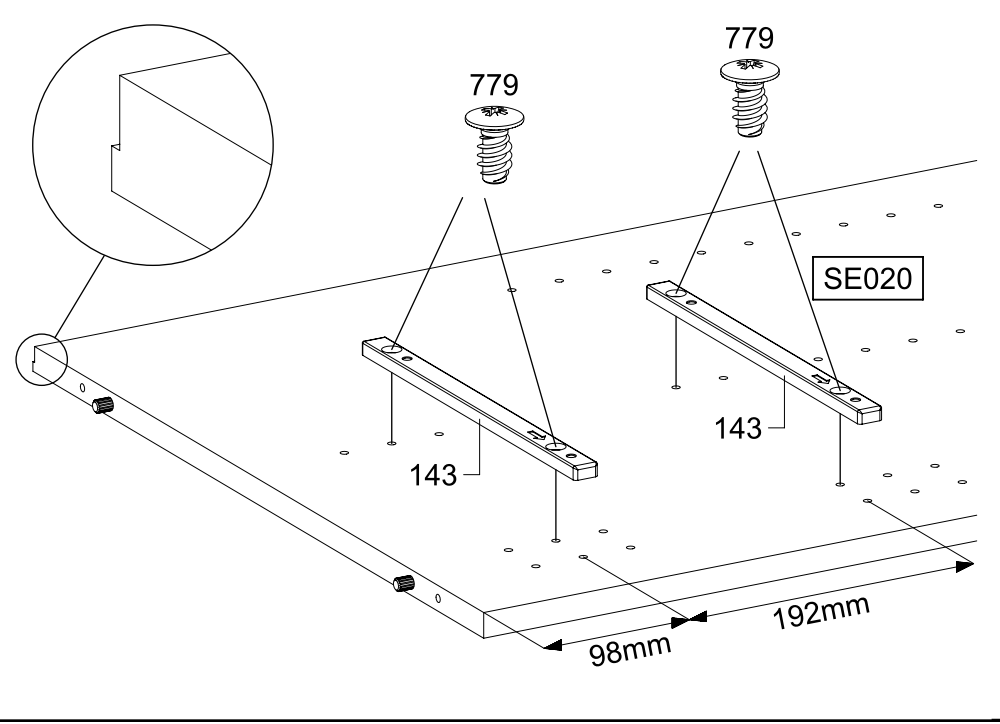
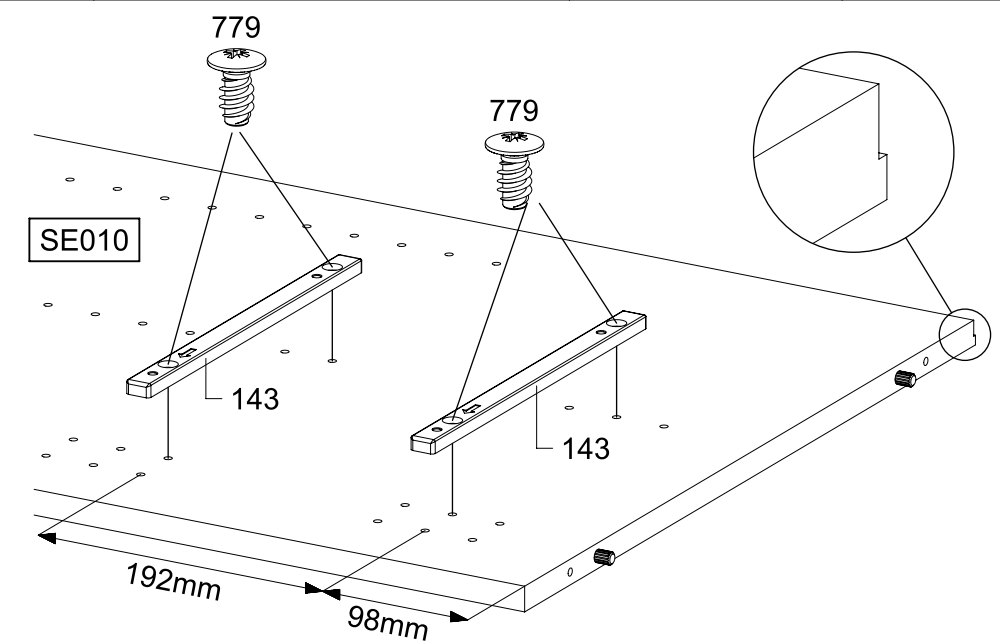


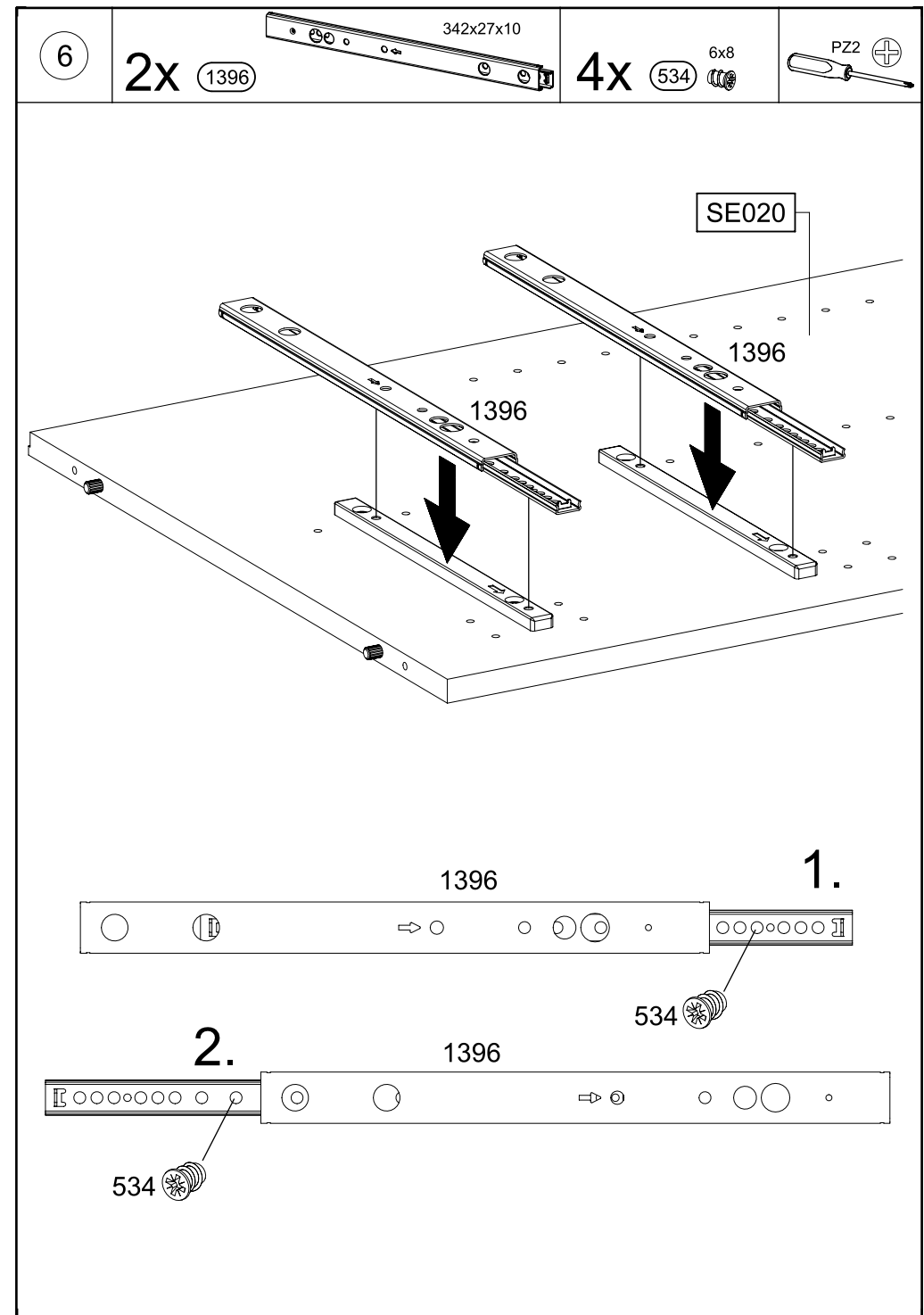
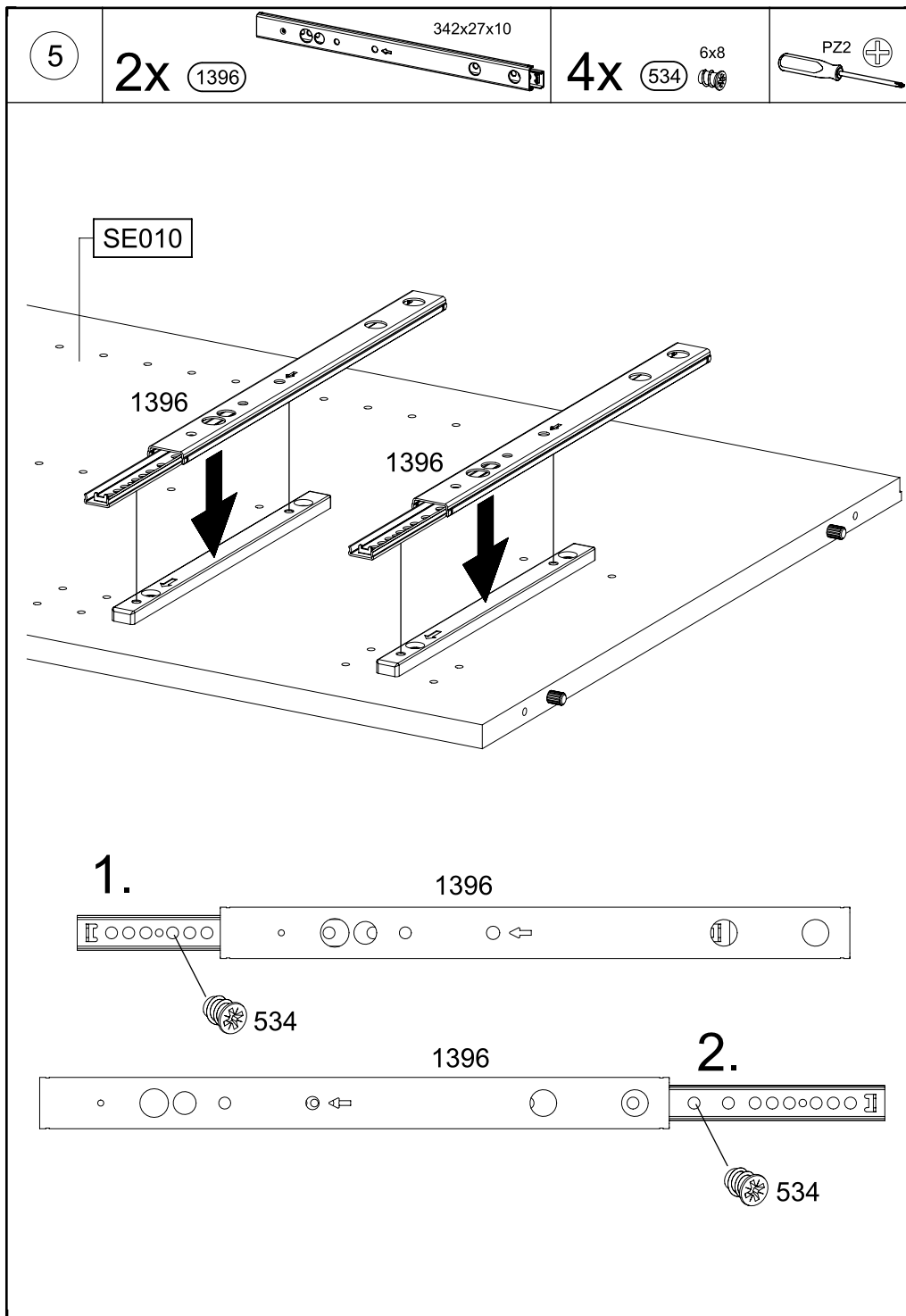
5	2x 1396	342x27x10	4x 534	6x8	PZ2
	SE010				

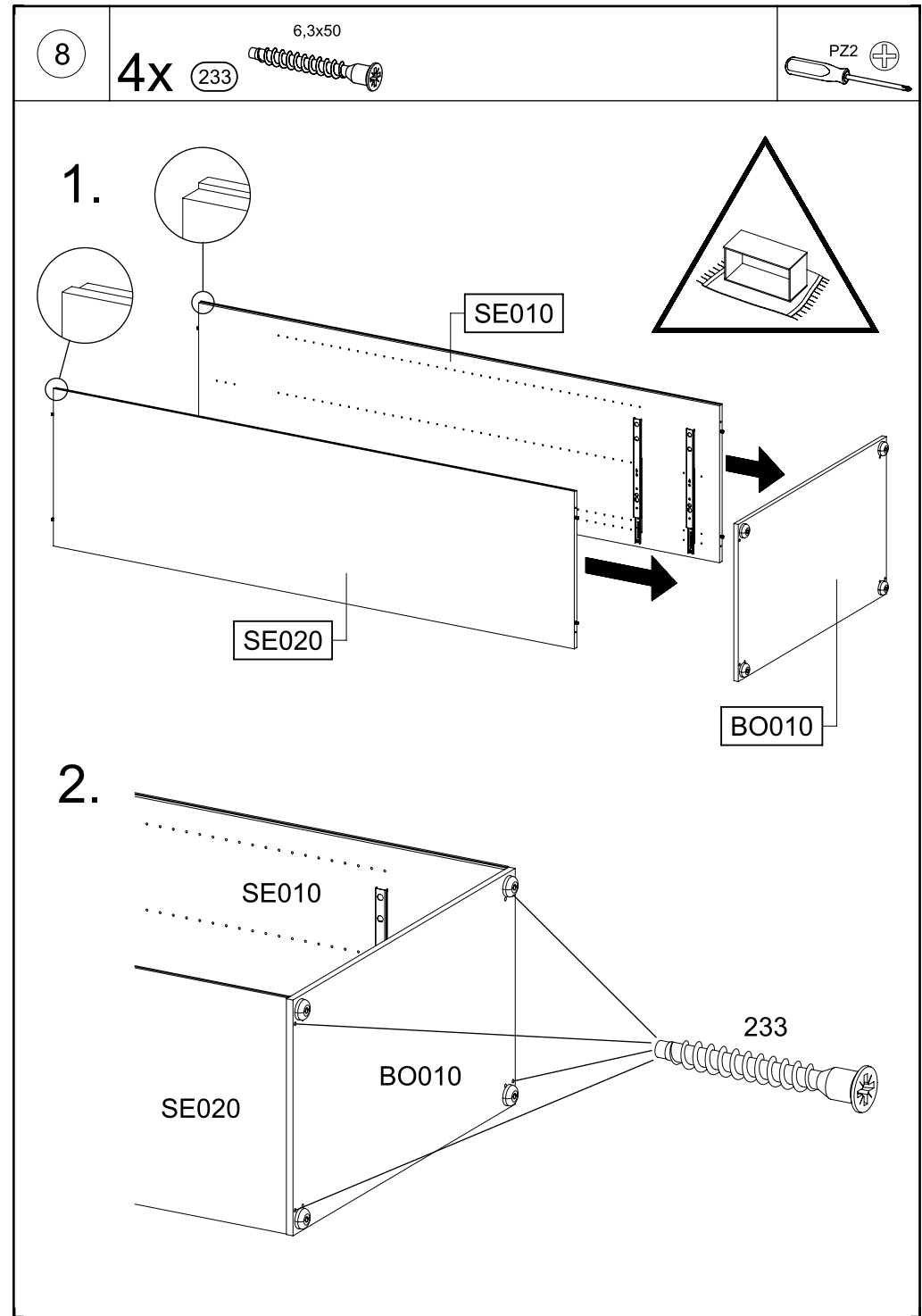
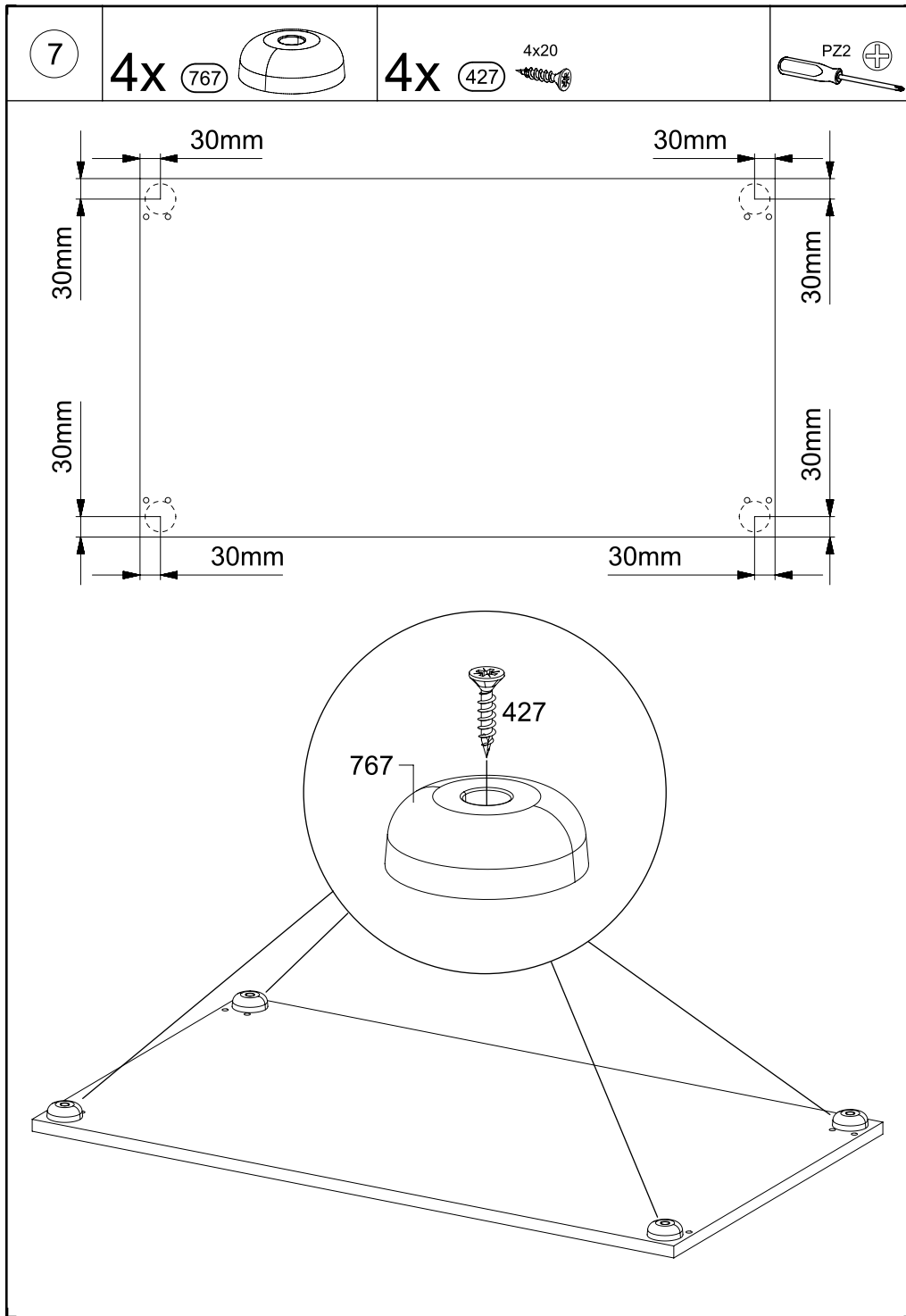


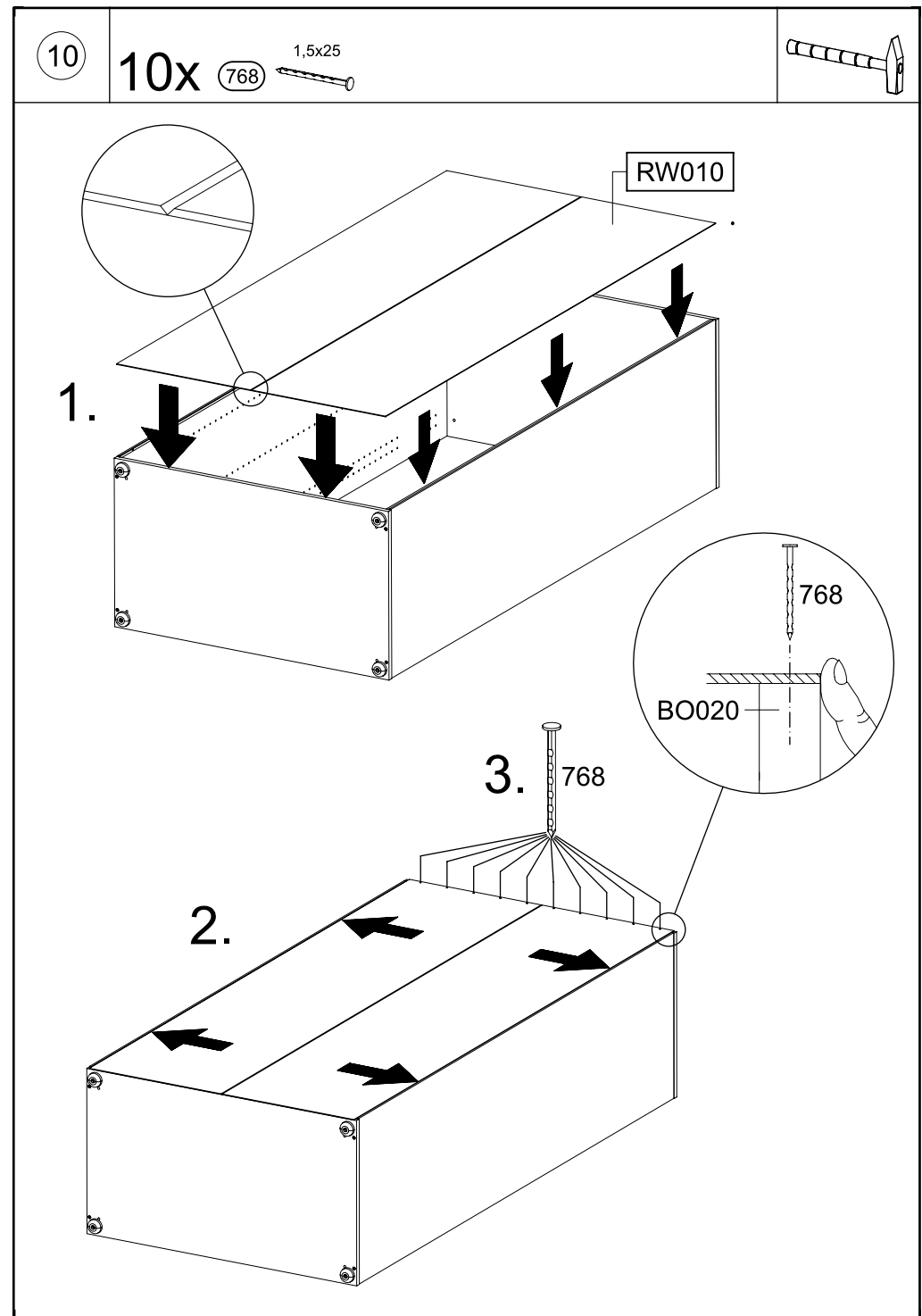
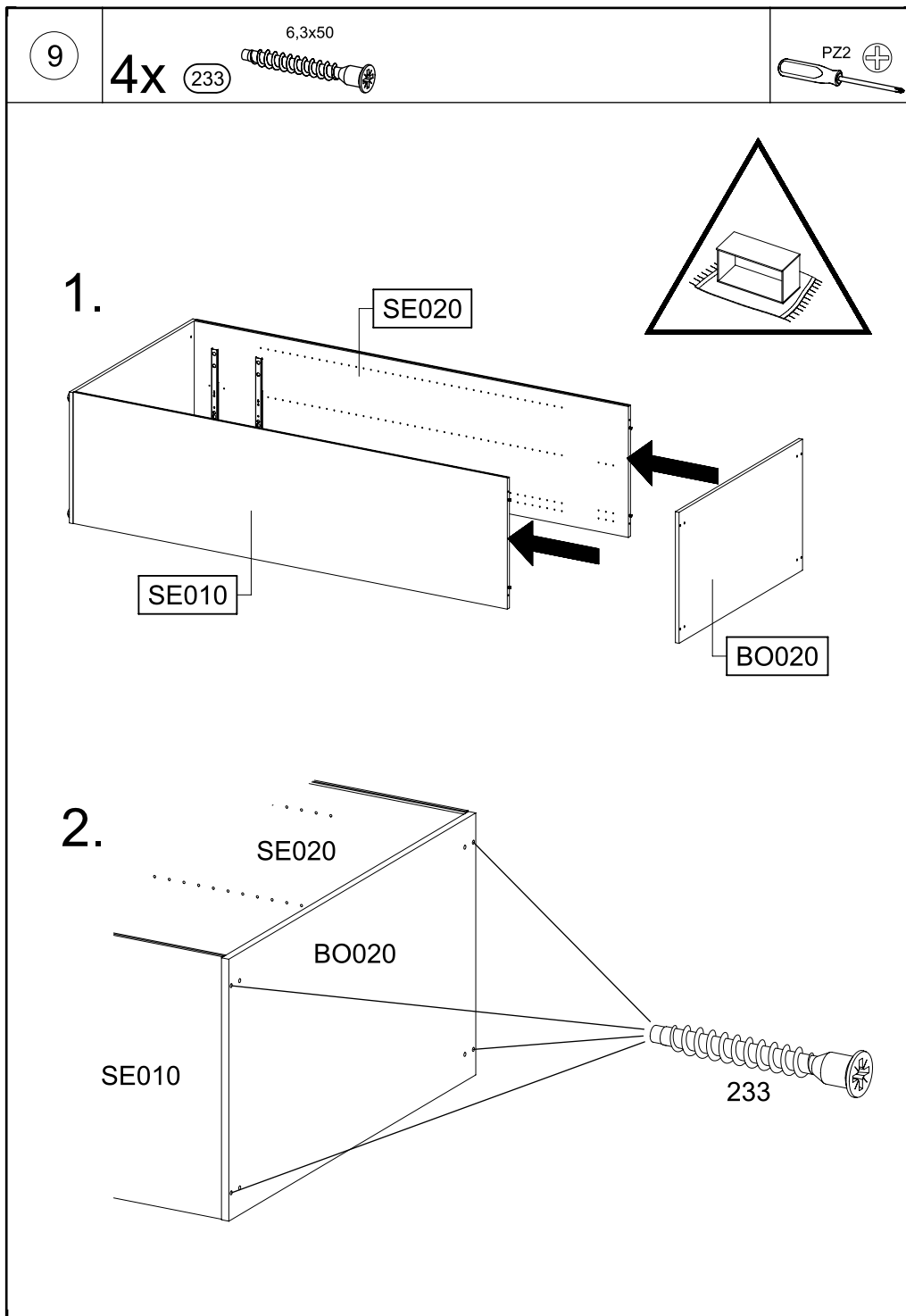
6	2x 1396	342x27x10	4x 534	6x8	PZ2
					SE020

4	4x 143	250x16x8,5	8x 779	6,5x12	PZ2
---	--------	------------	--------	--------	-----







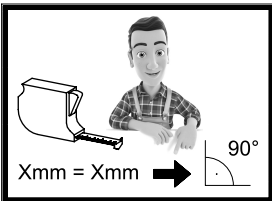
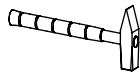
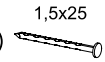


11

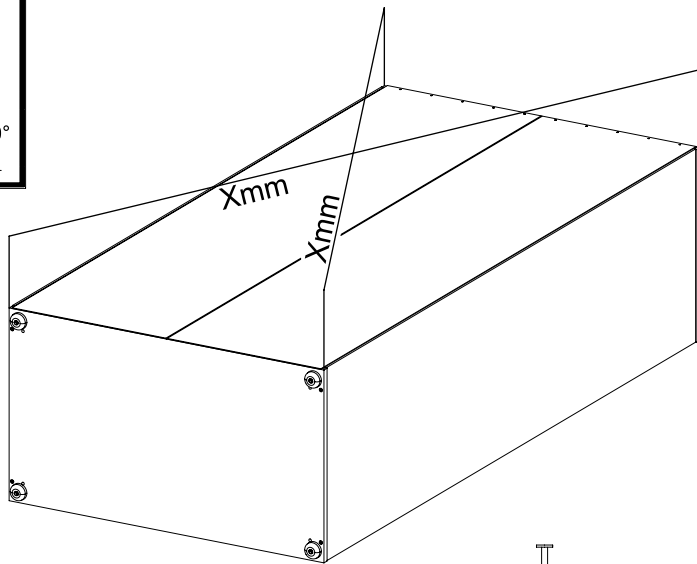
10x

768

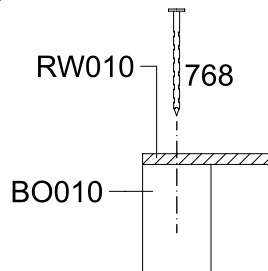
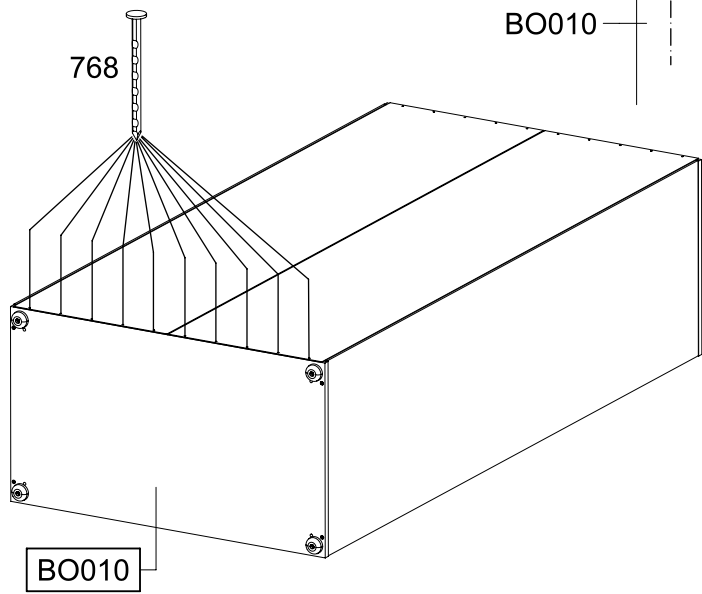
1,5x25



1.



2.

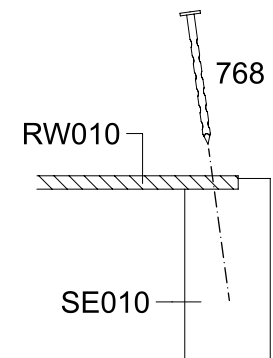
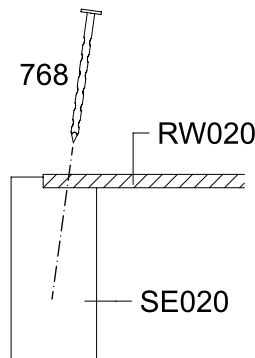
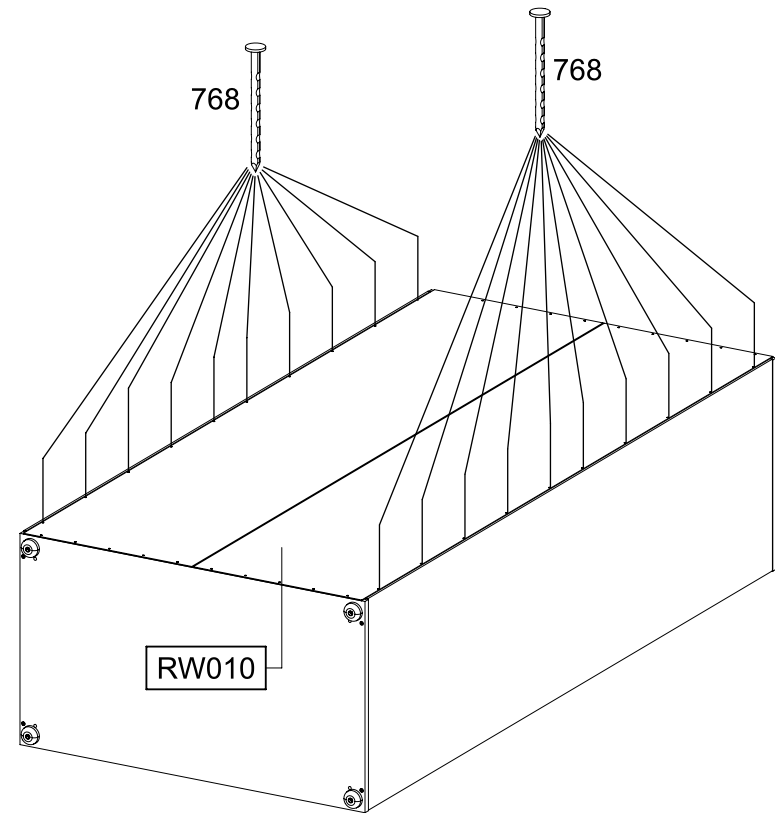
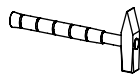
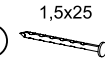


12

20x

768

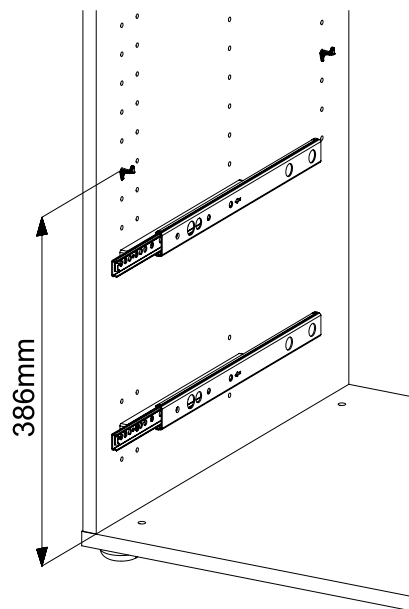
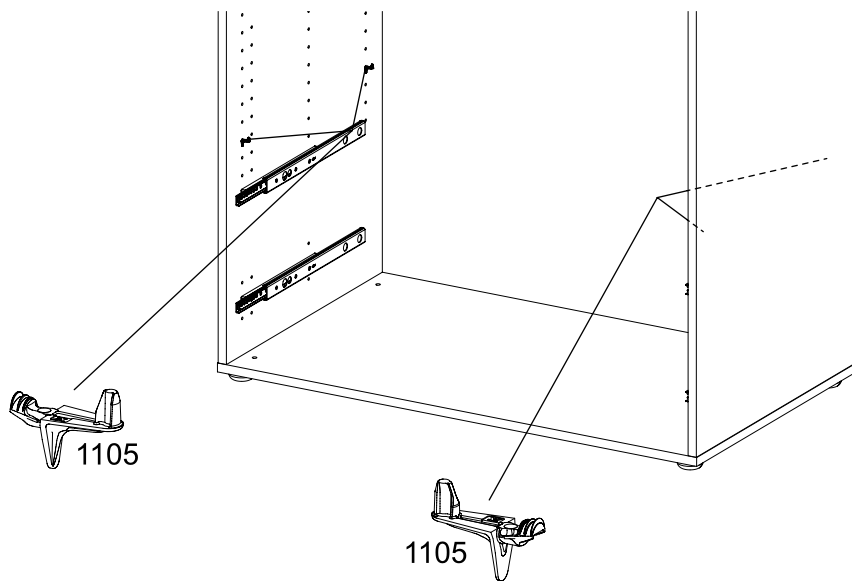
1,5x25



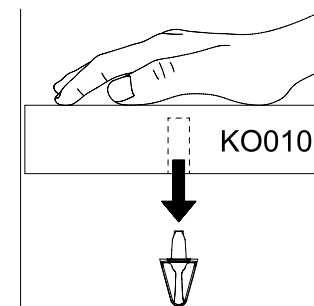
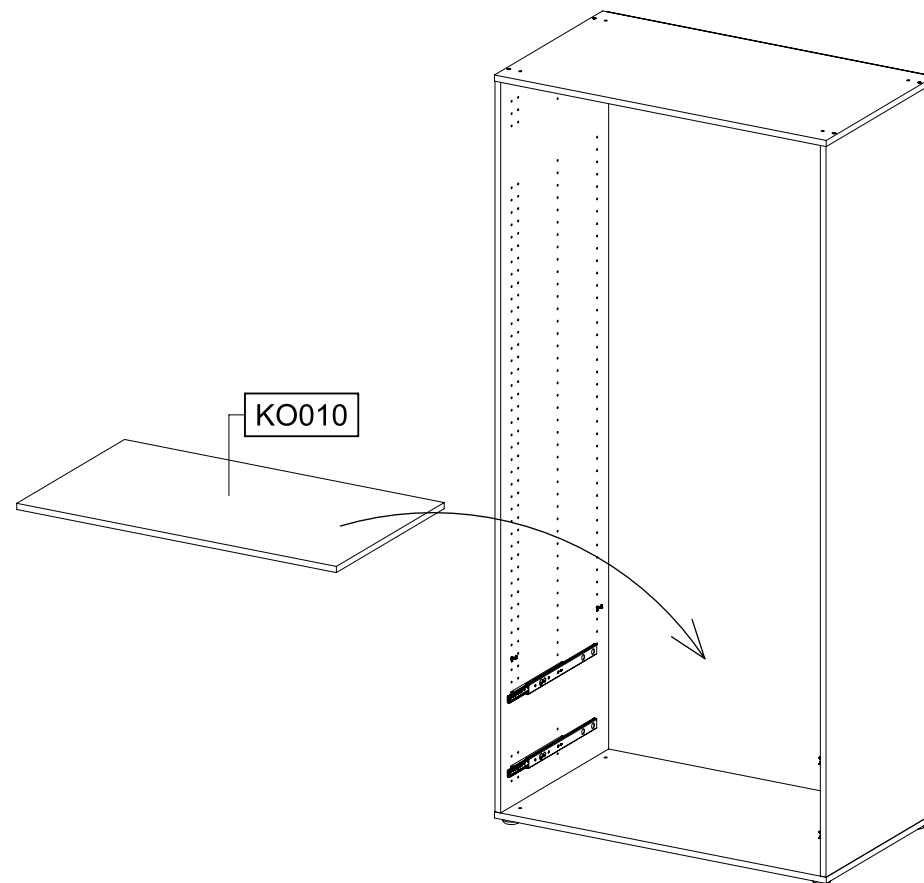
13

4x

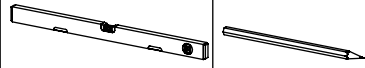
1105



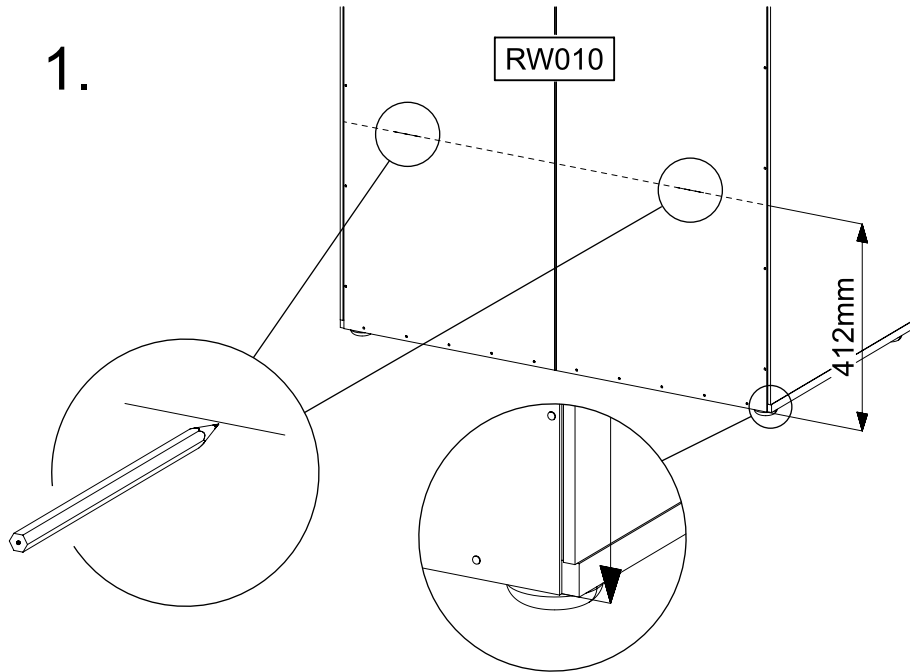
14



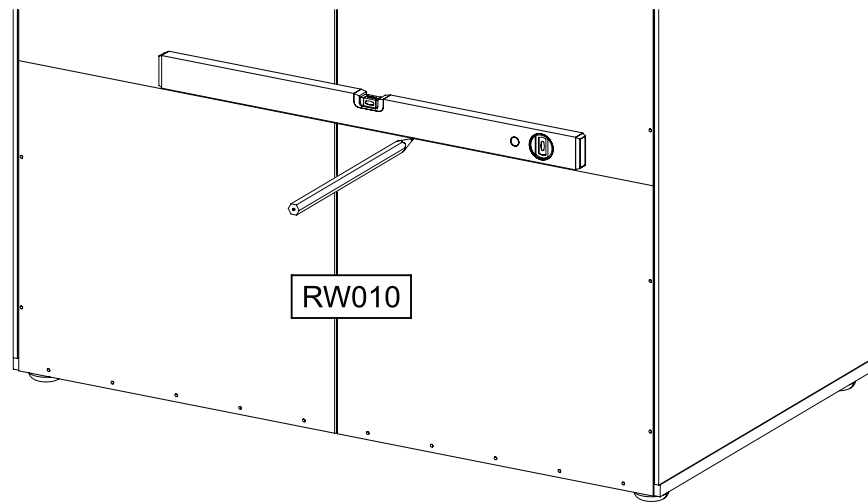
15



1.



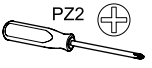
2.



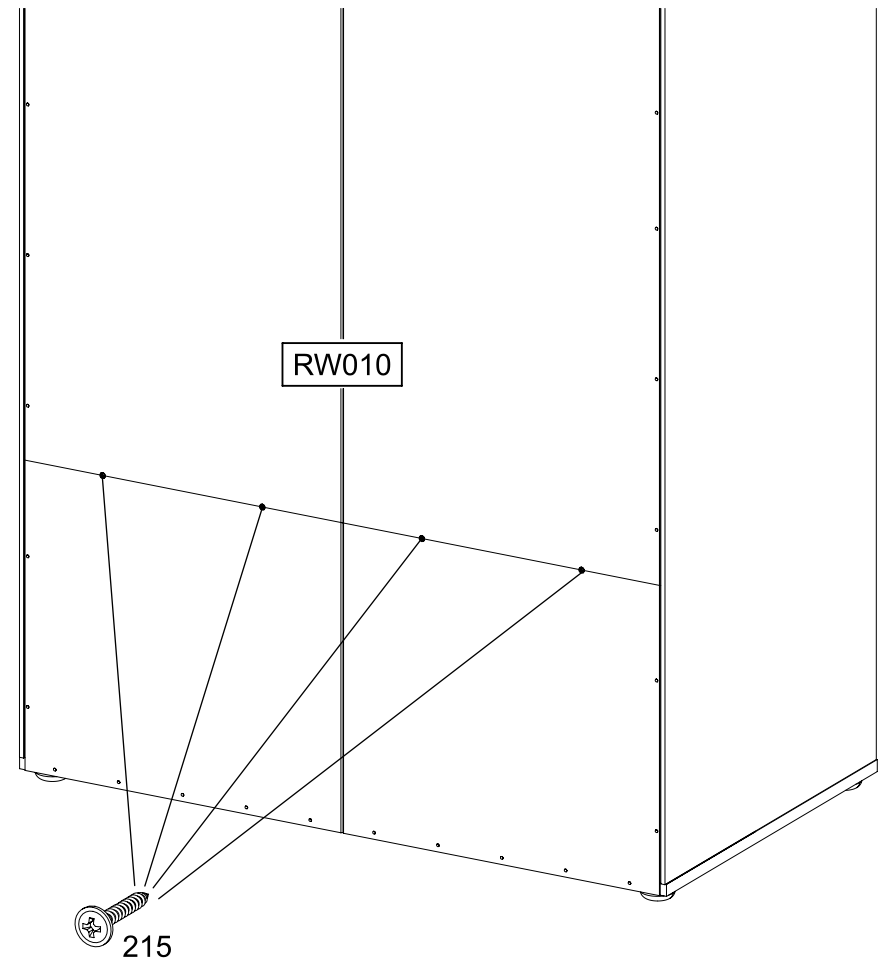
16

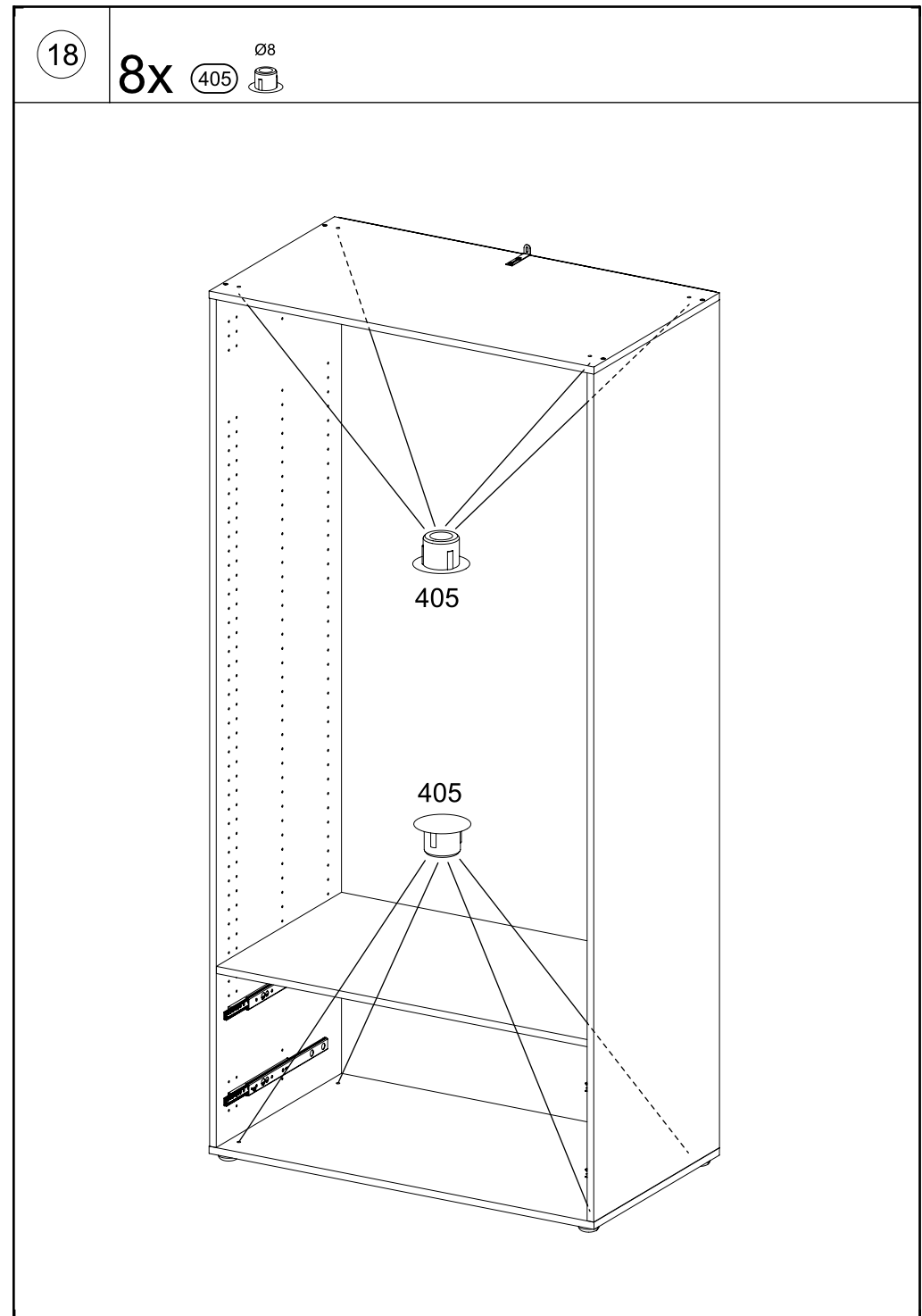
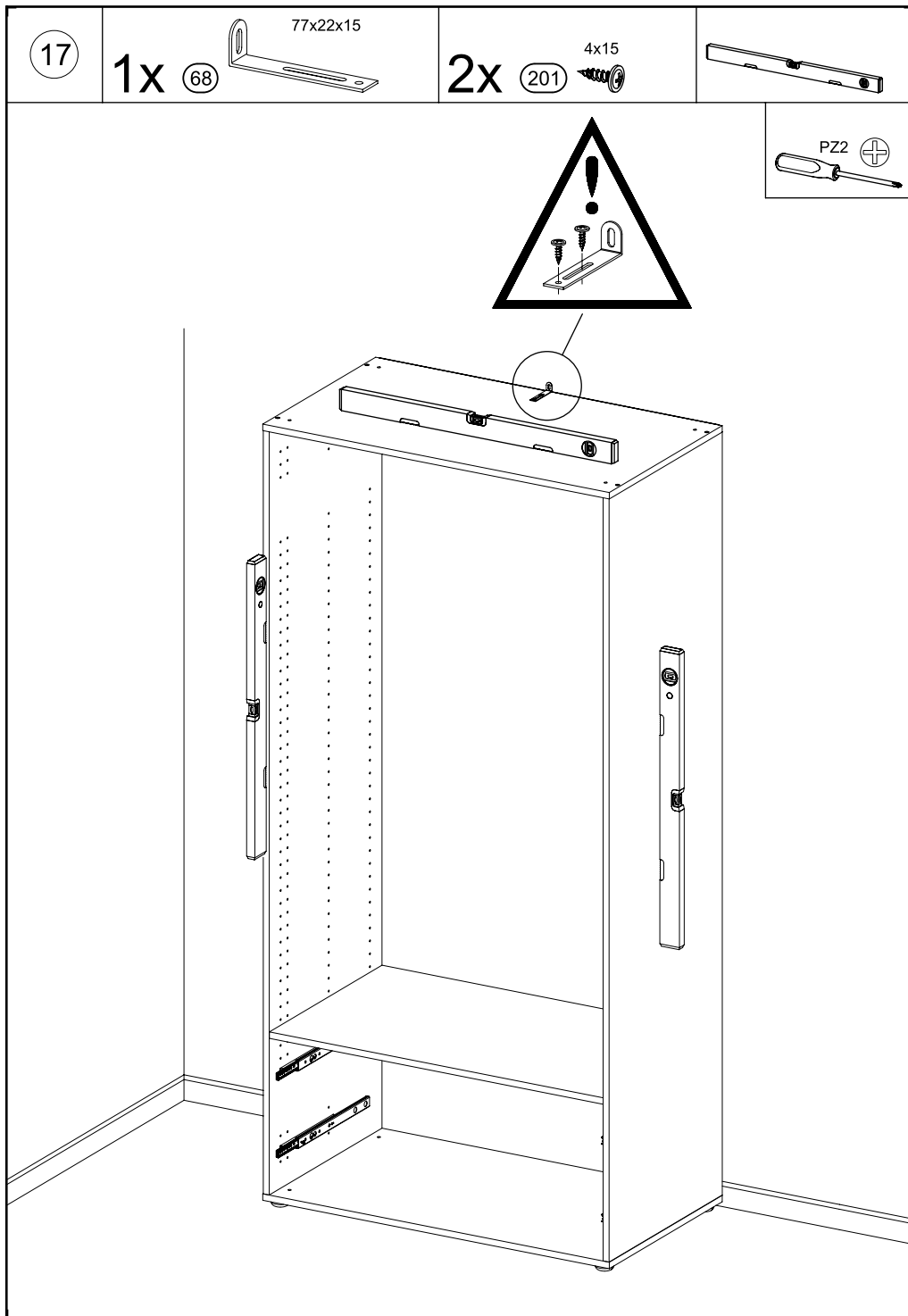
4x 215

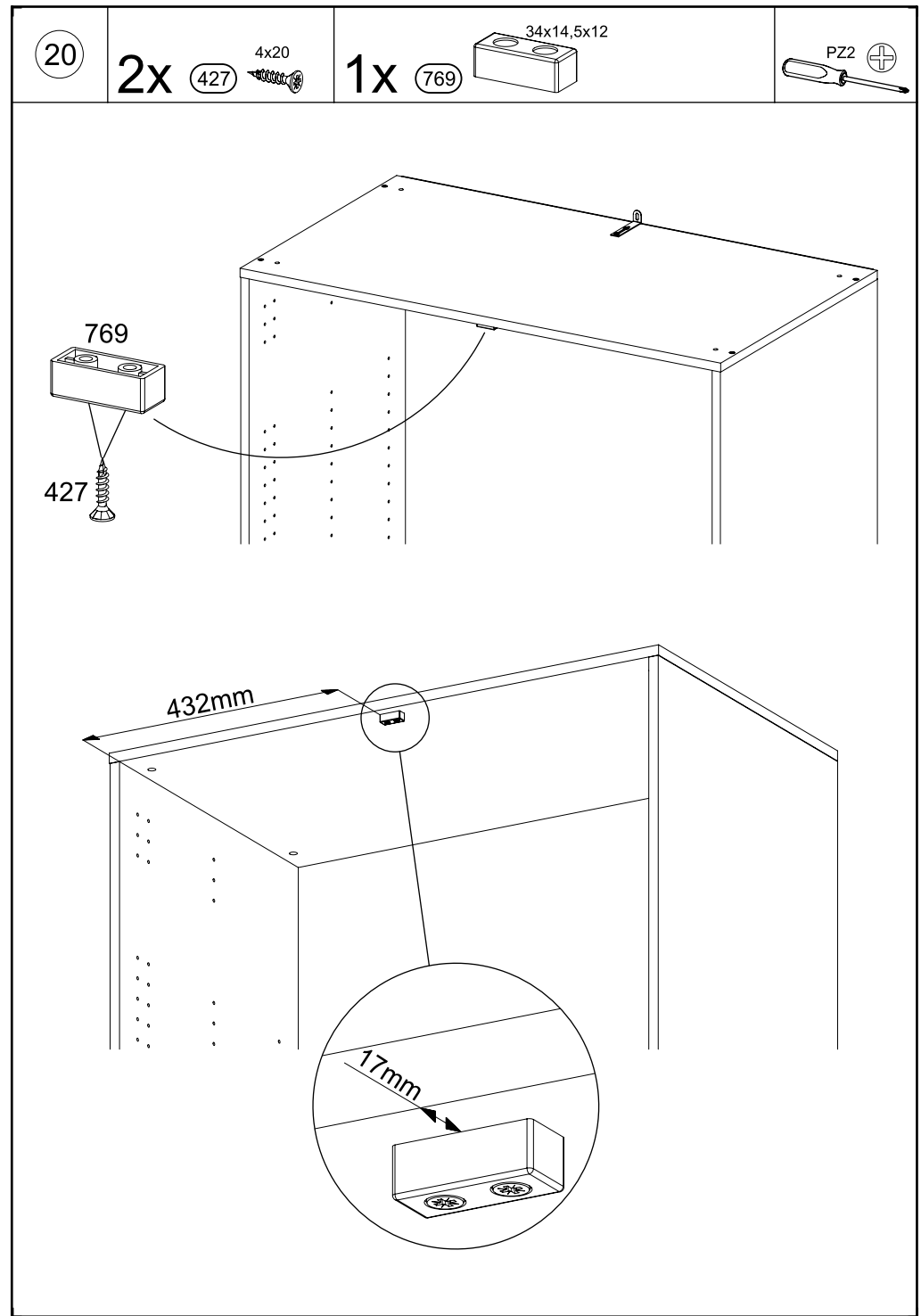
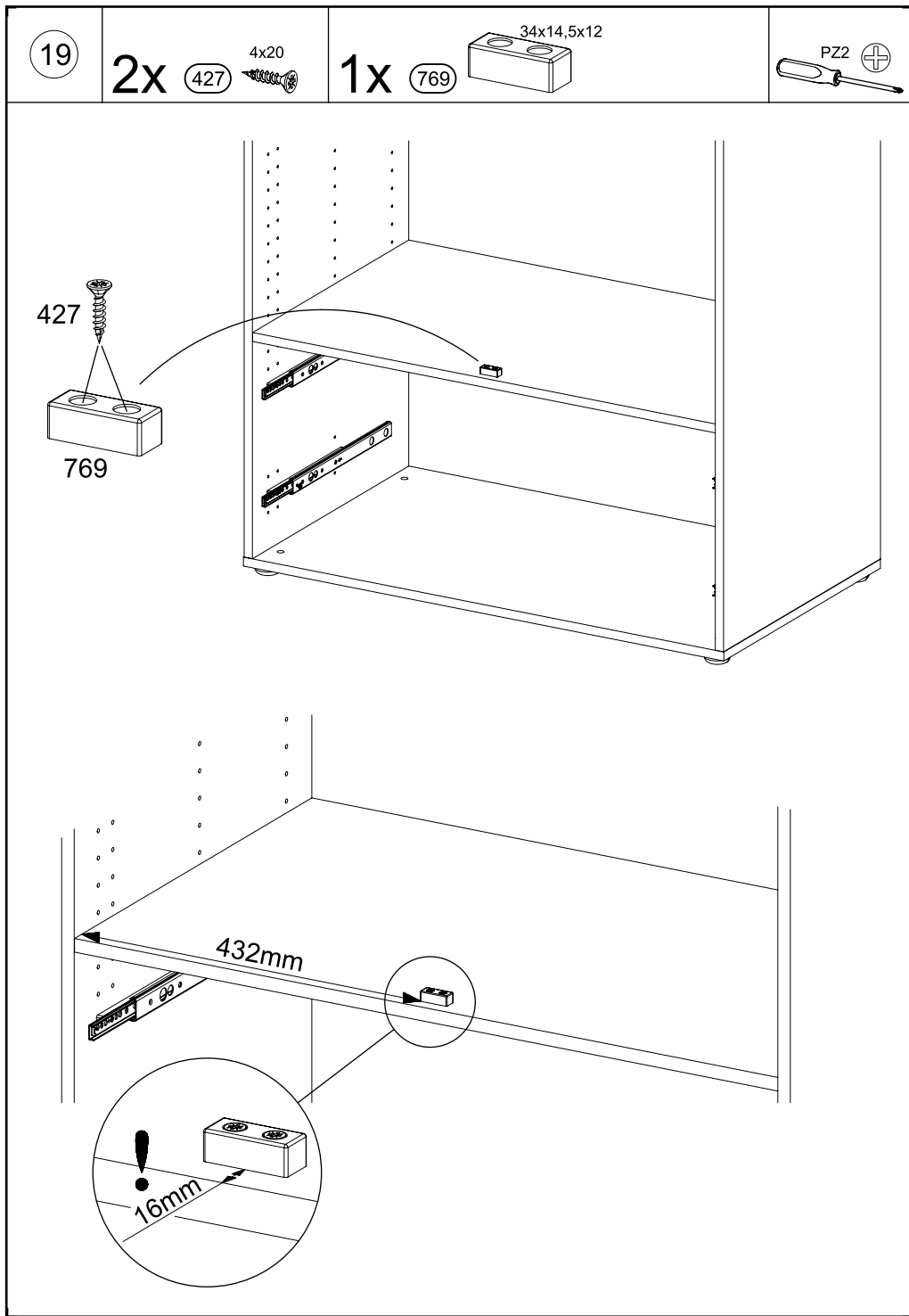
3x20



RW010







21

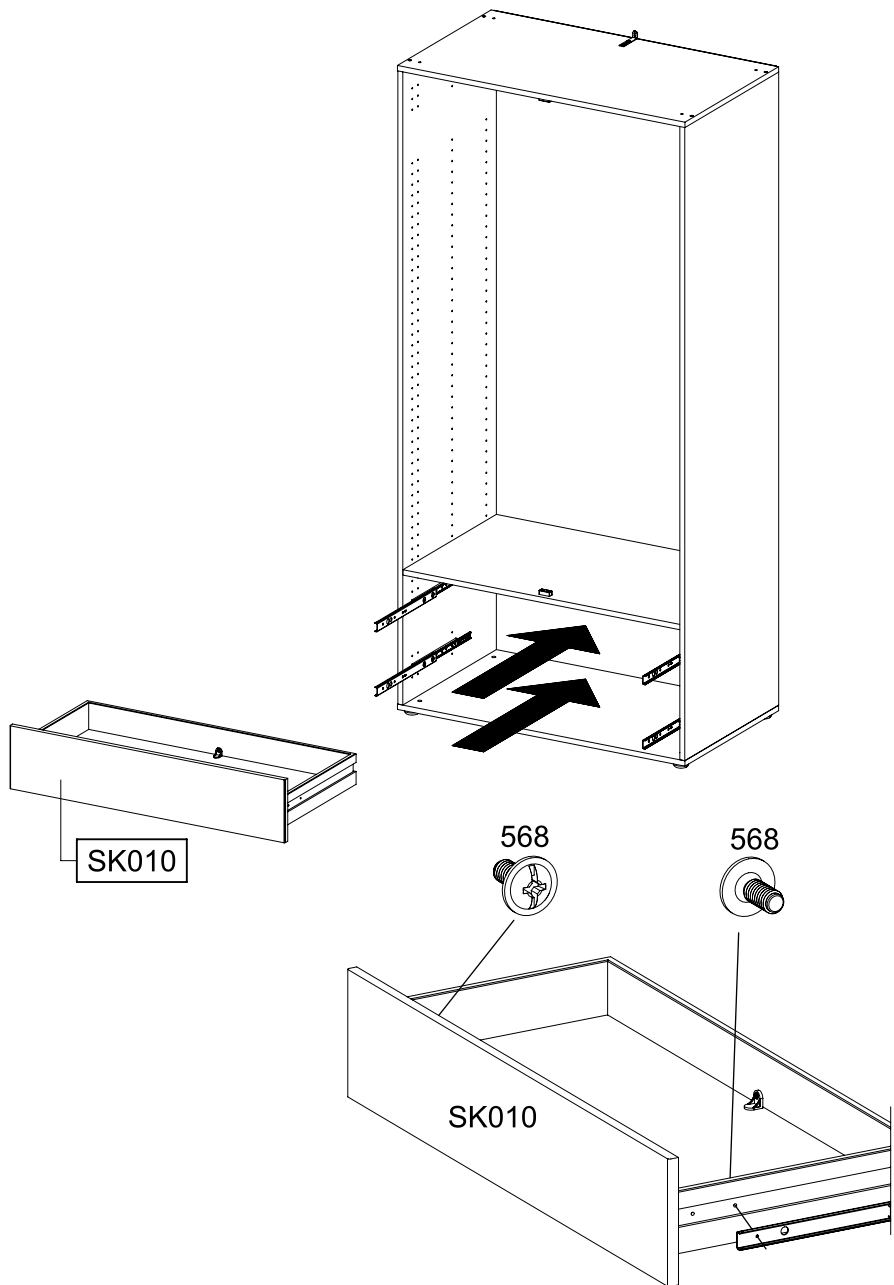
2x

568

M4x9



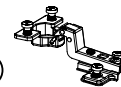
PZ2



22

6x

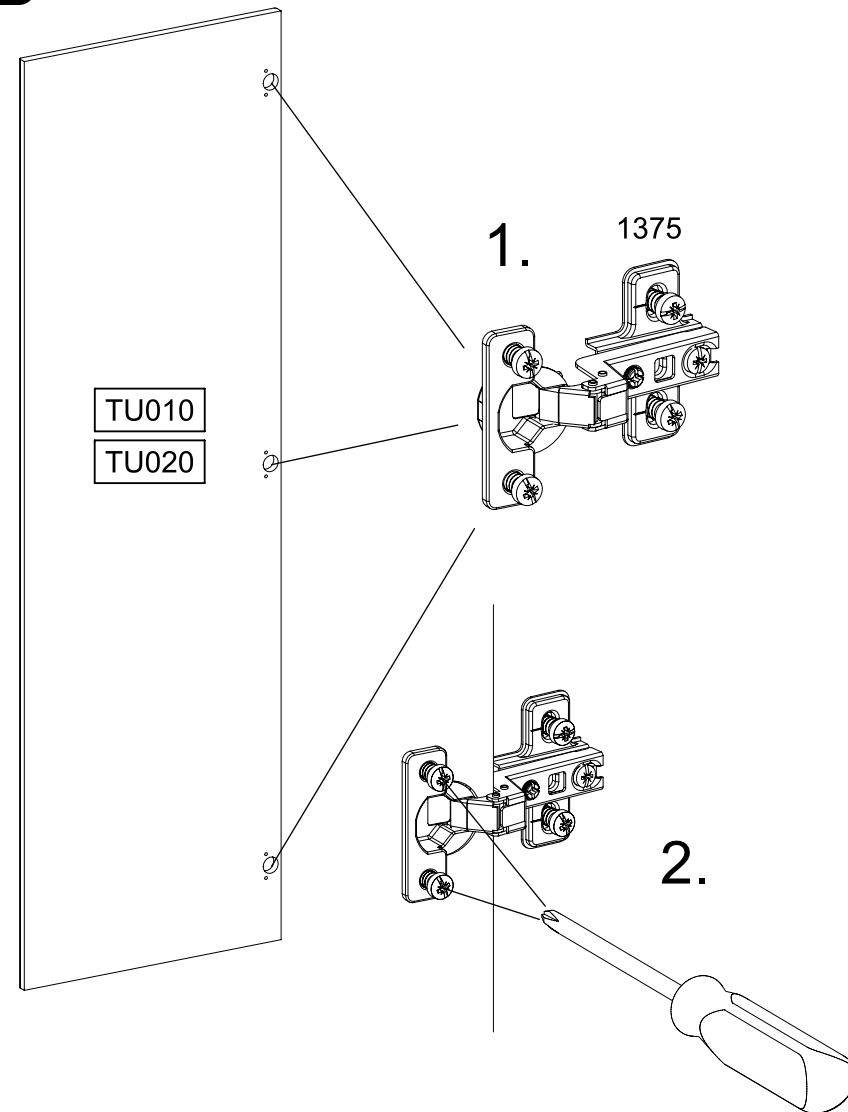
1375



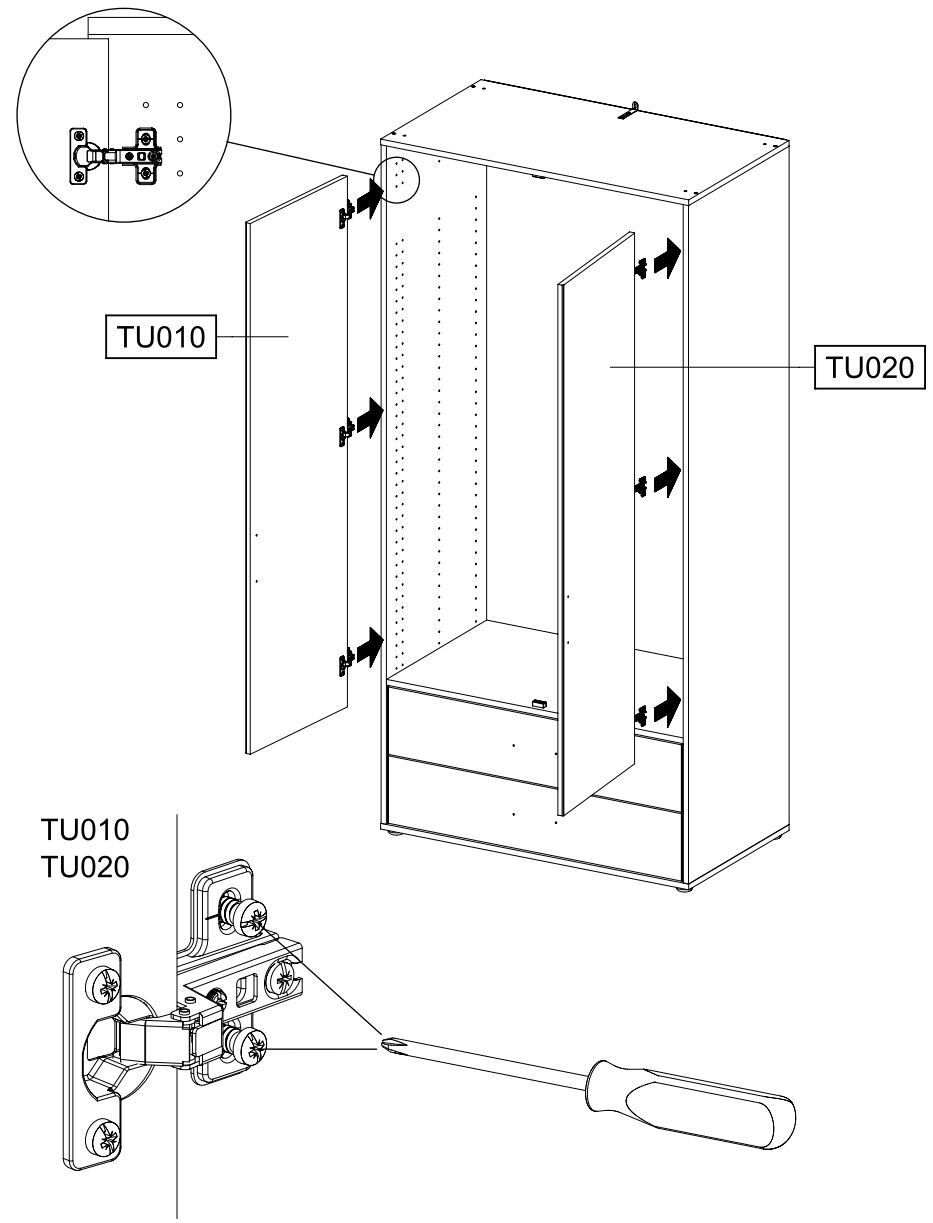
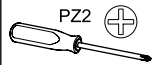
PZ2



SCAN ME



23



24

