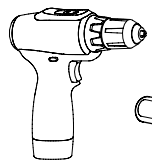
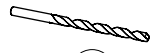


1.

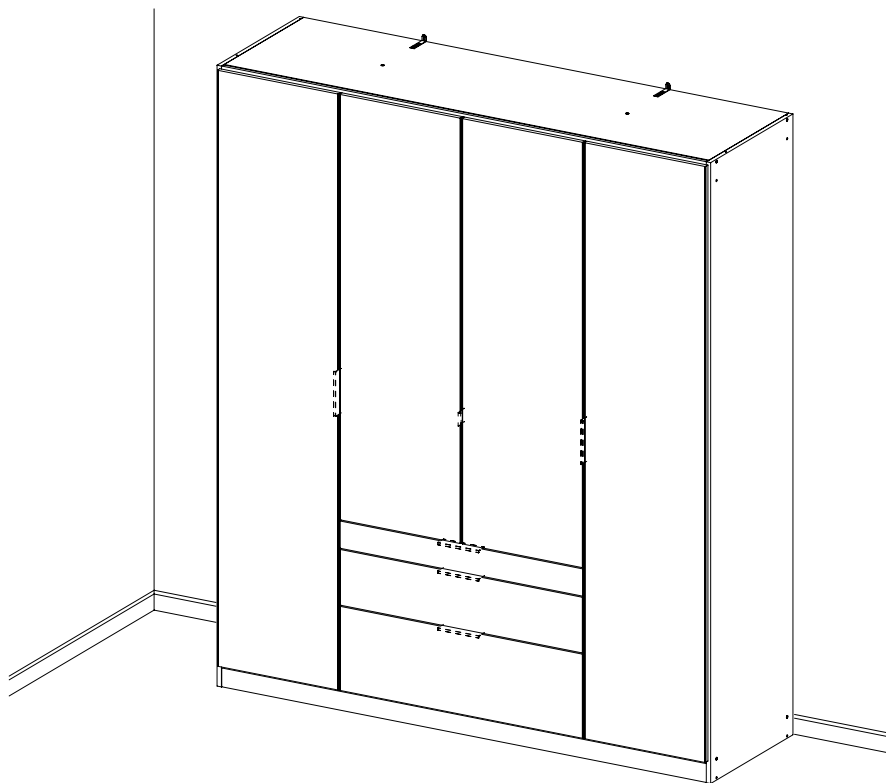
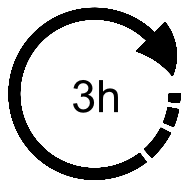
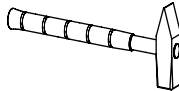
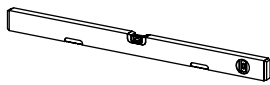
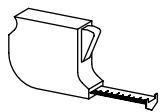
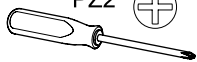
M3198_01



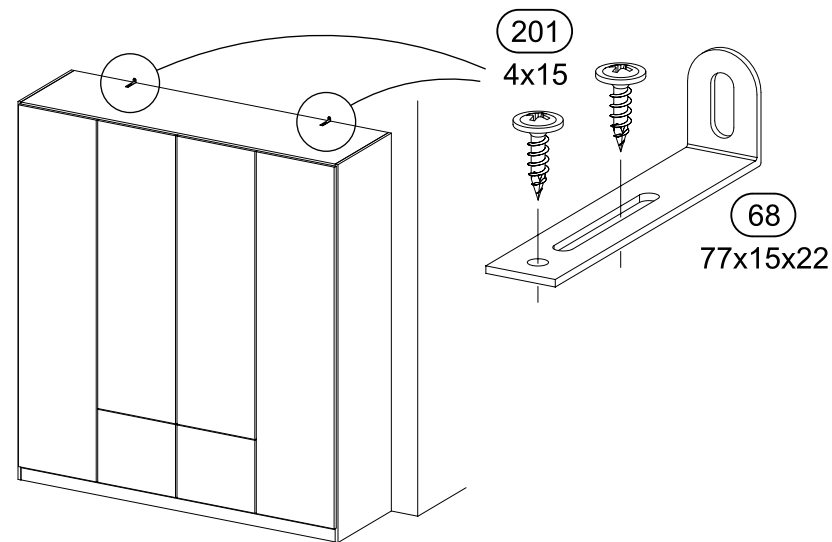
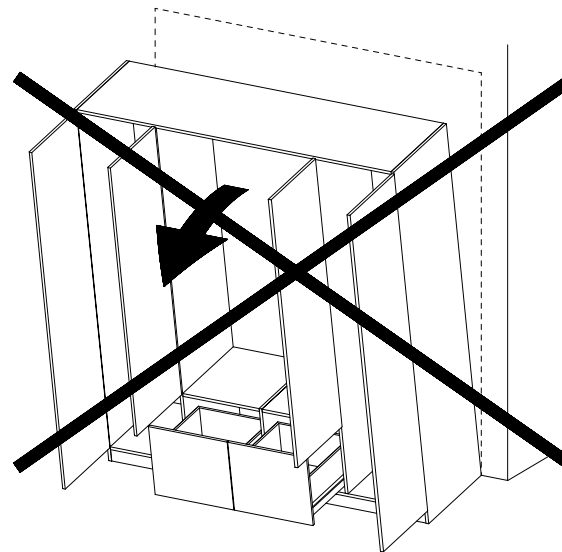
Ø5mm



PZ2



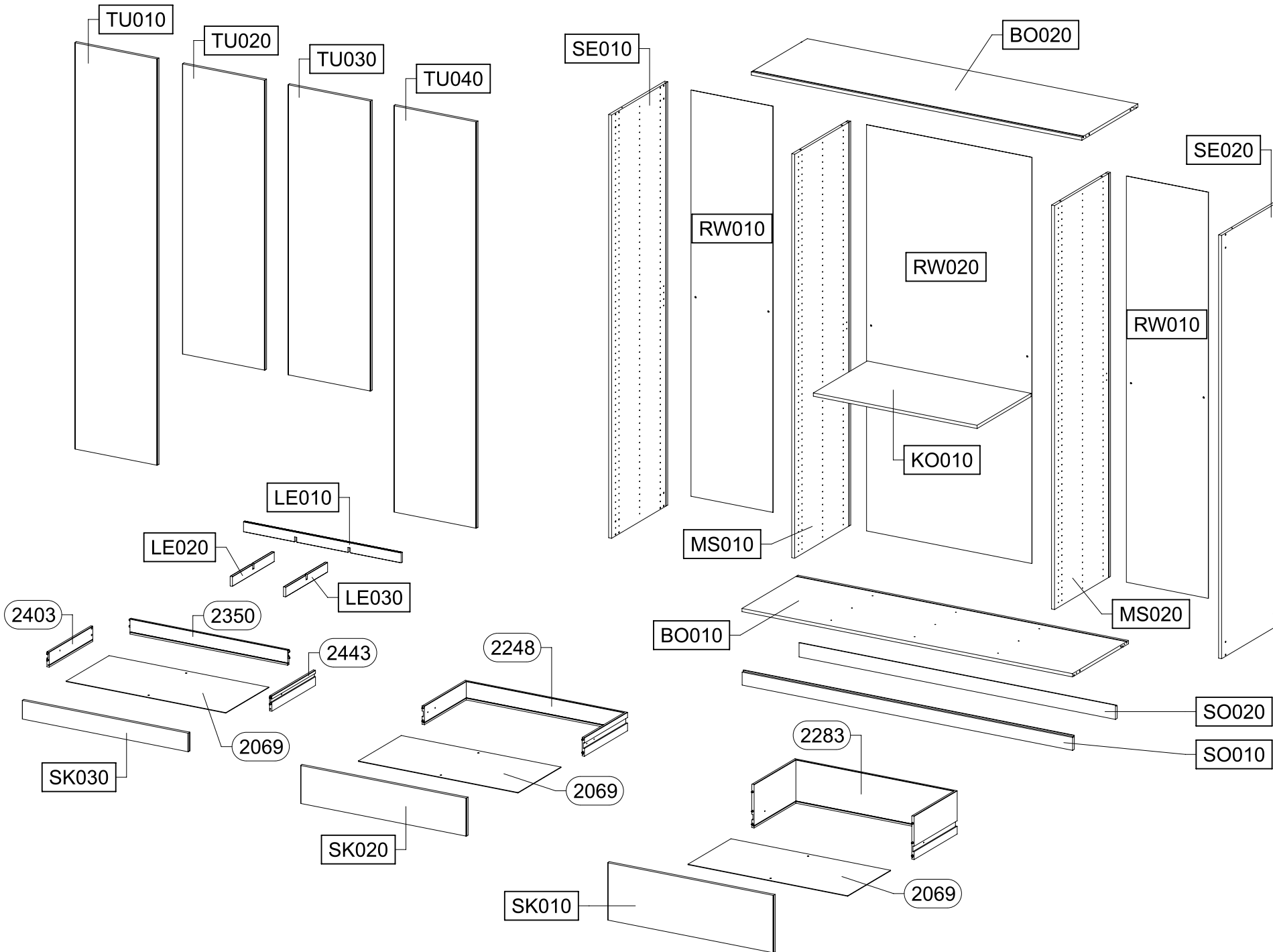
2.

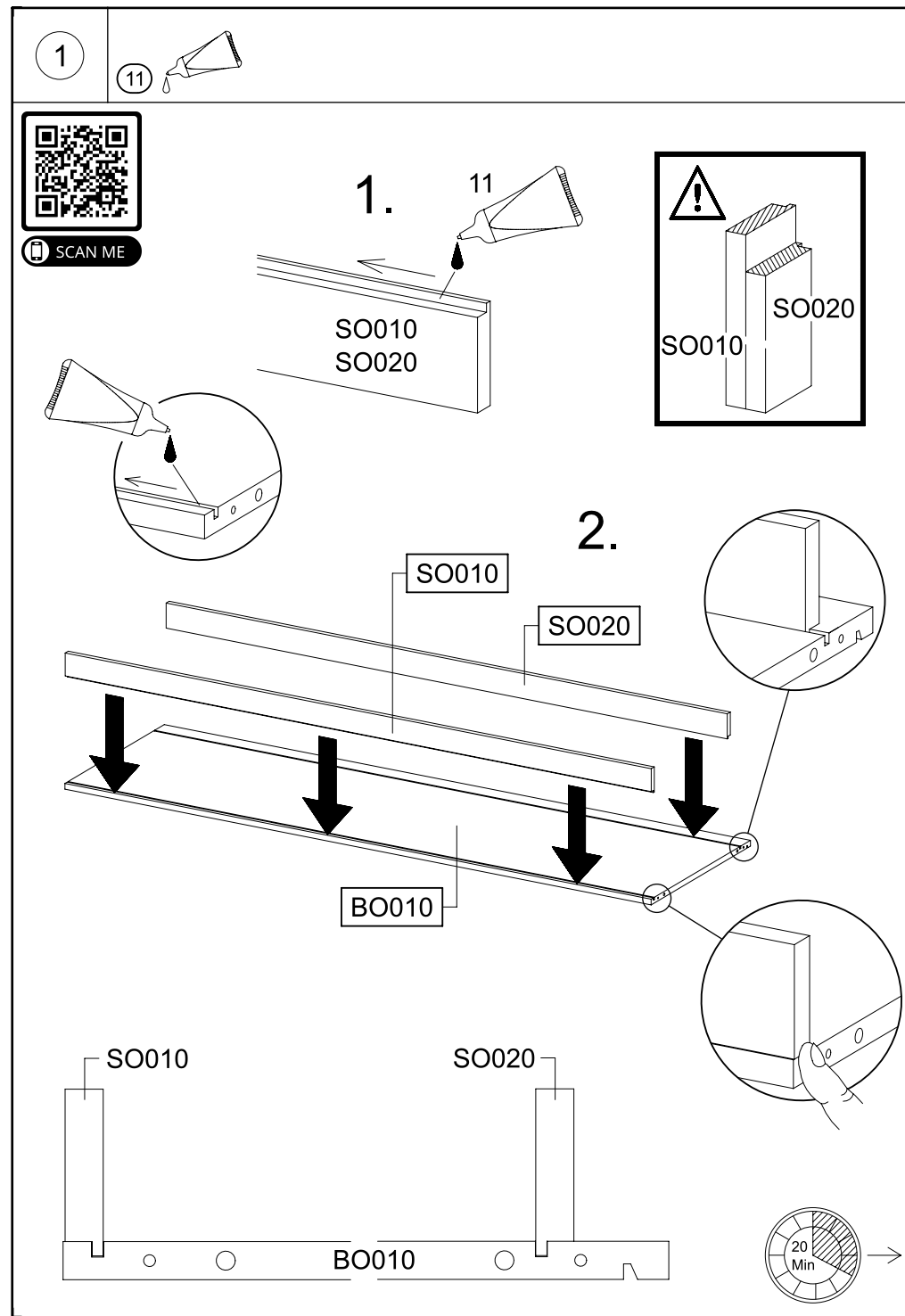
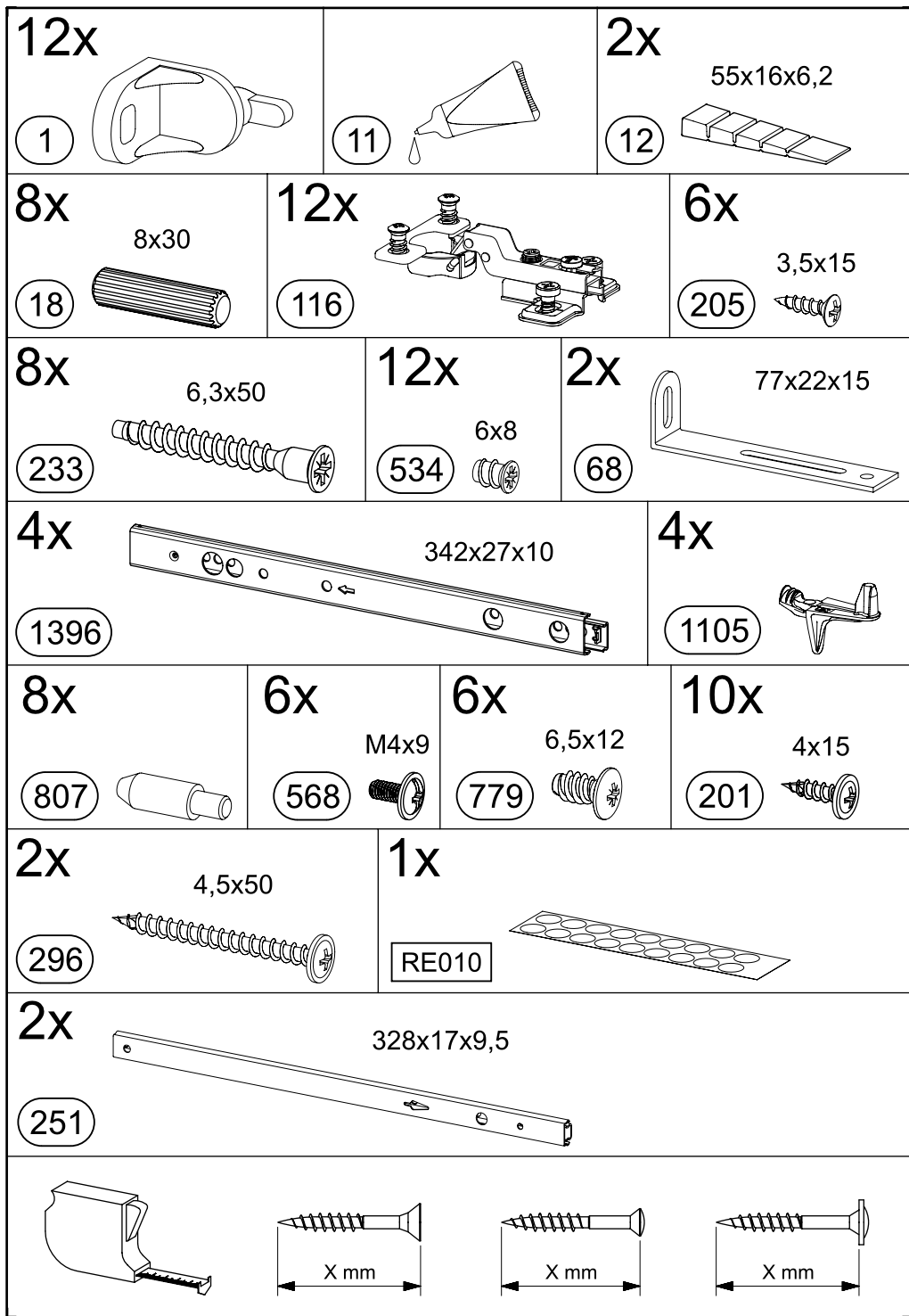


VIDEO



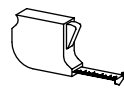
SCAN ME



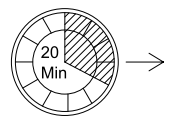
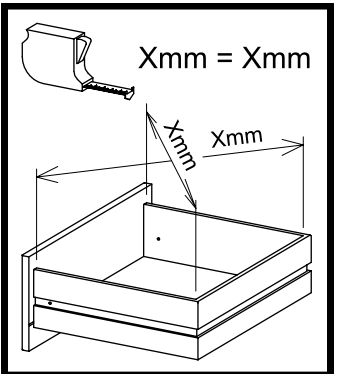
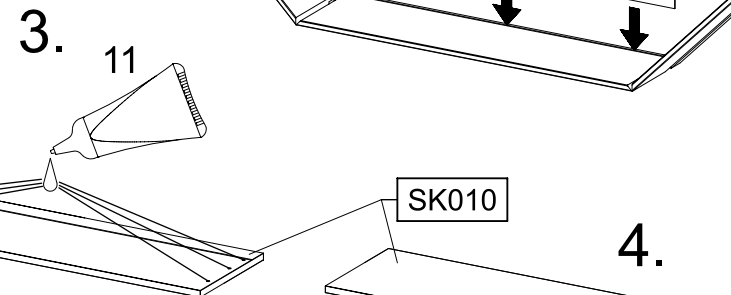
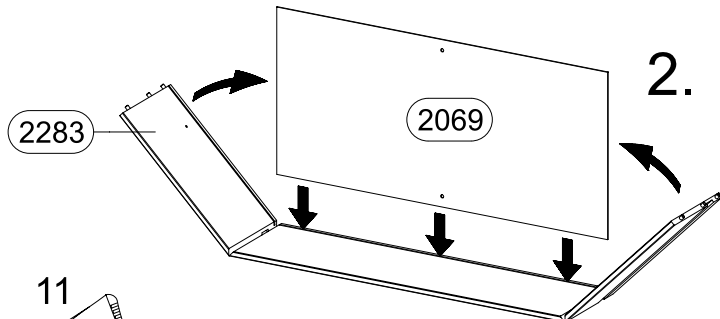
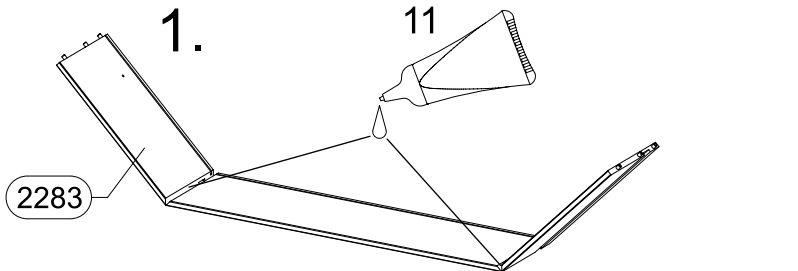


2

11

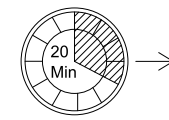
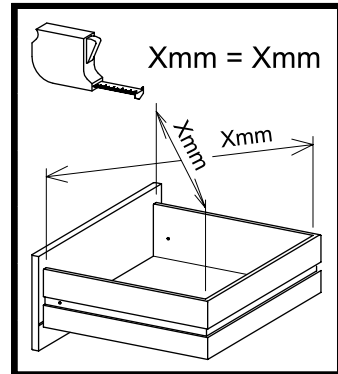
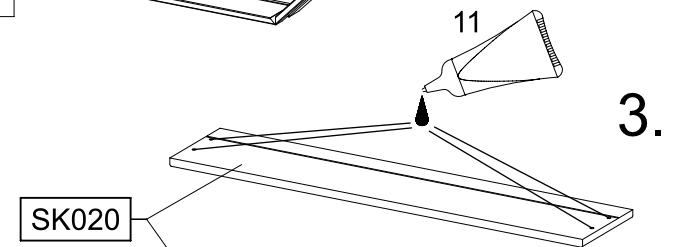
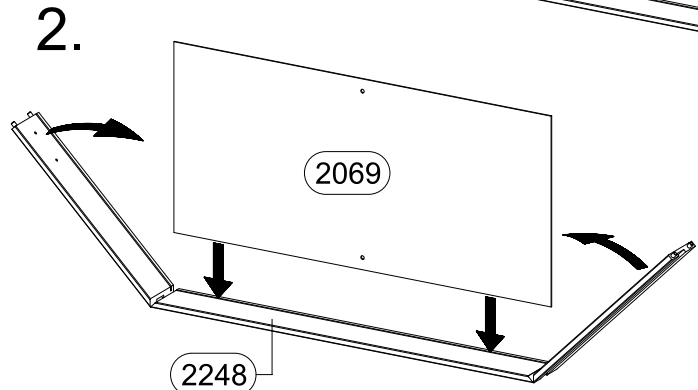
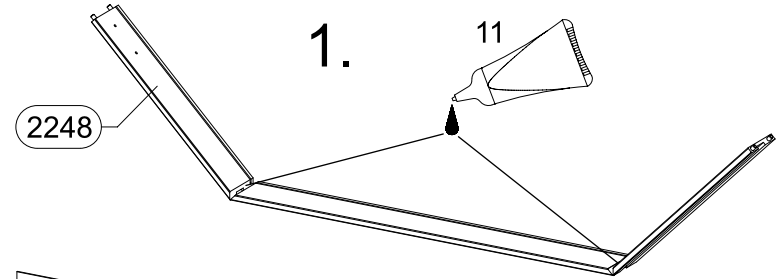
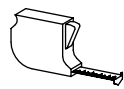


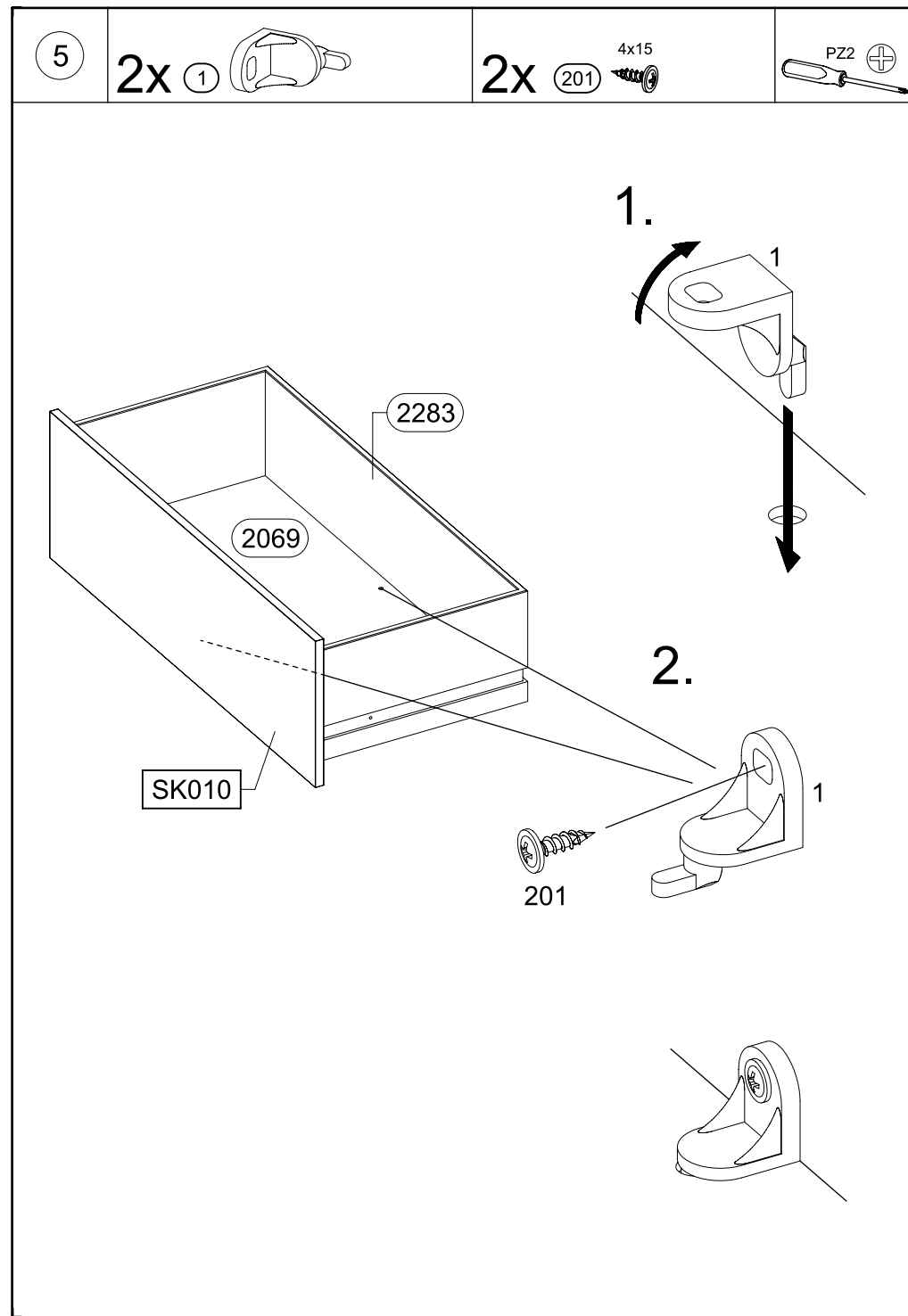
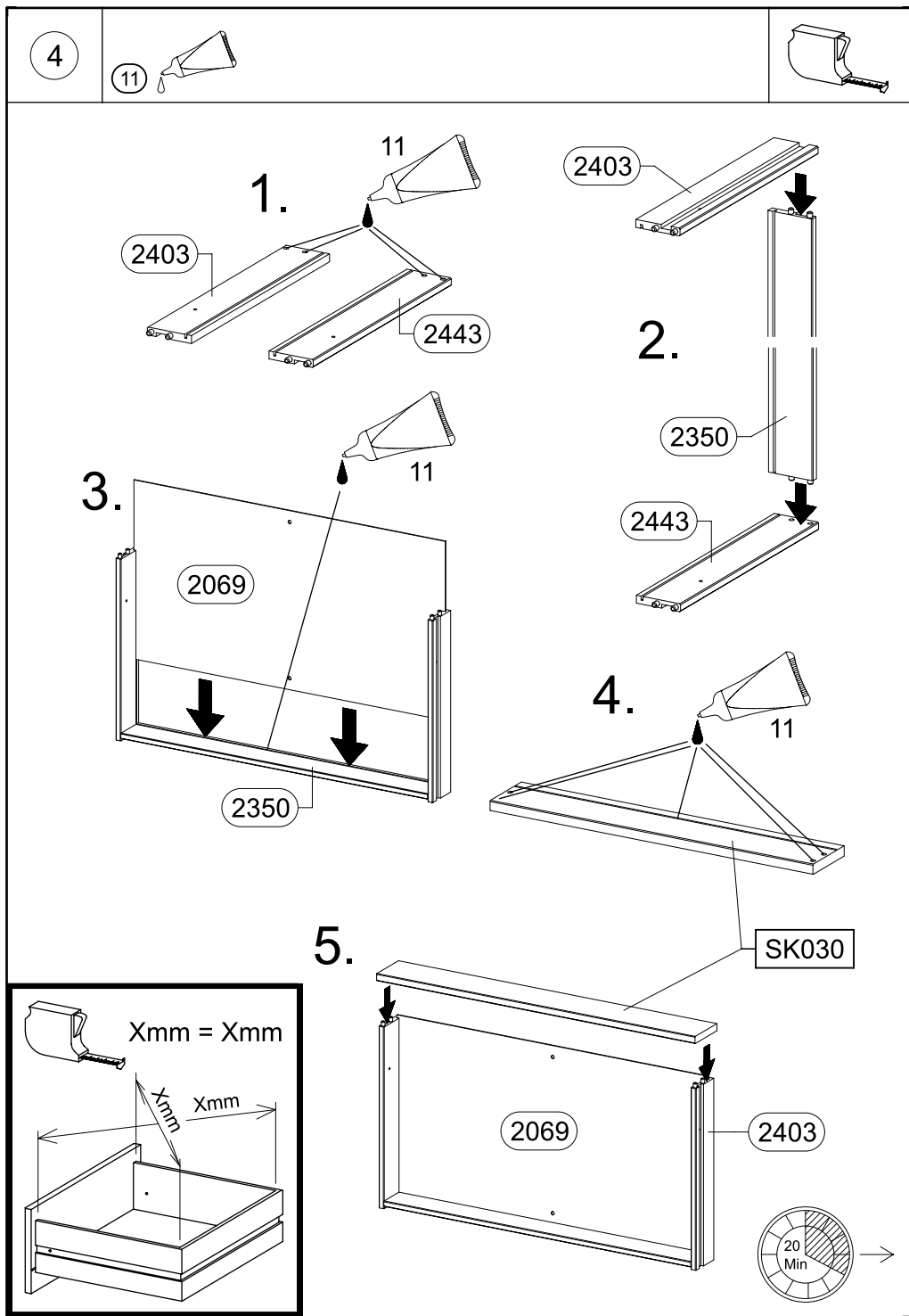
SCAN ME



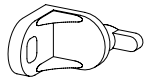
3

11

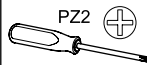


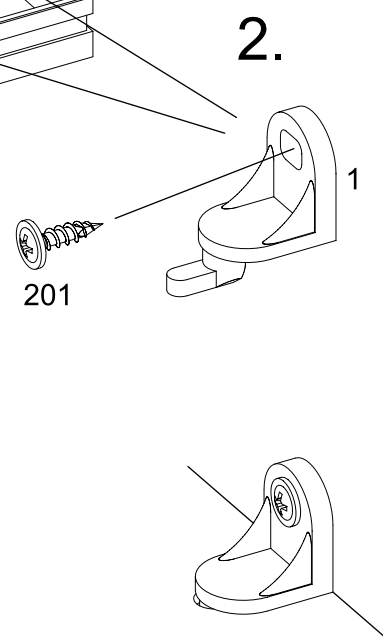
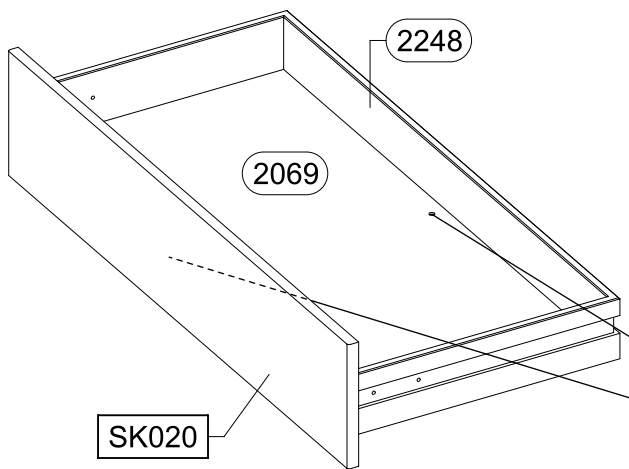
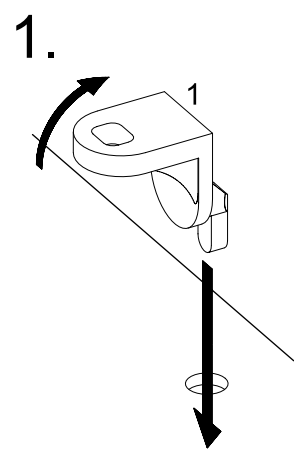


6

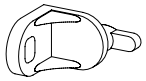
2x 1 

2x 201 

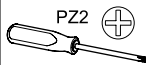
PZ2 

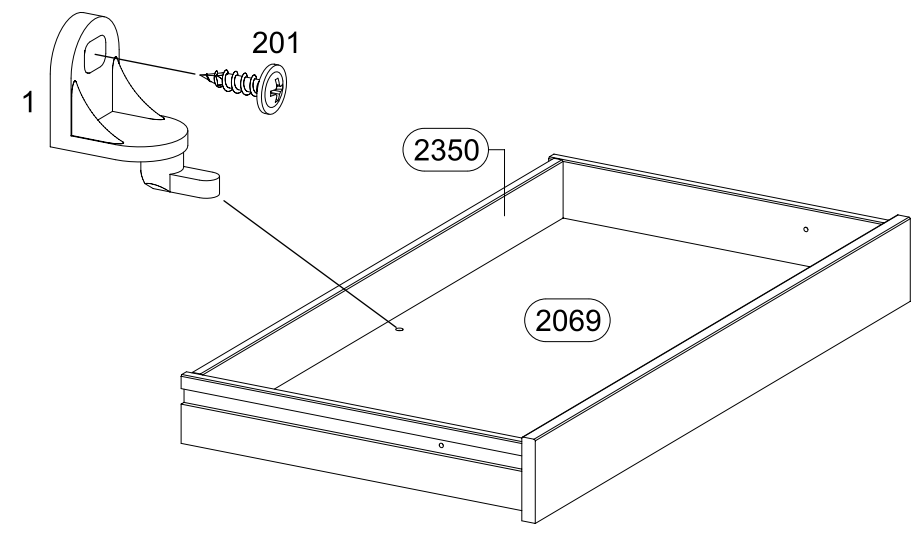
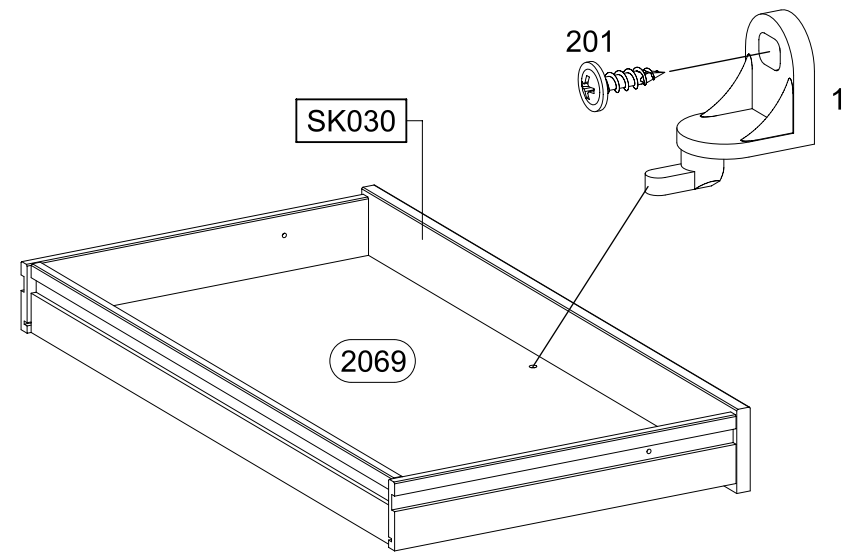


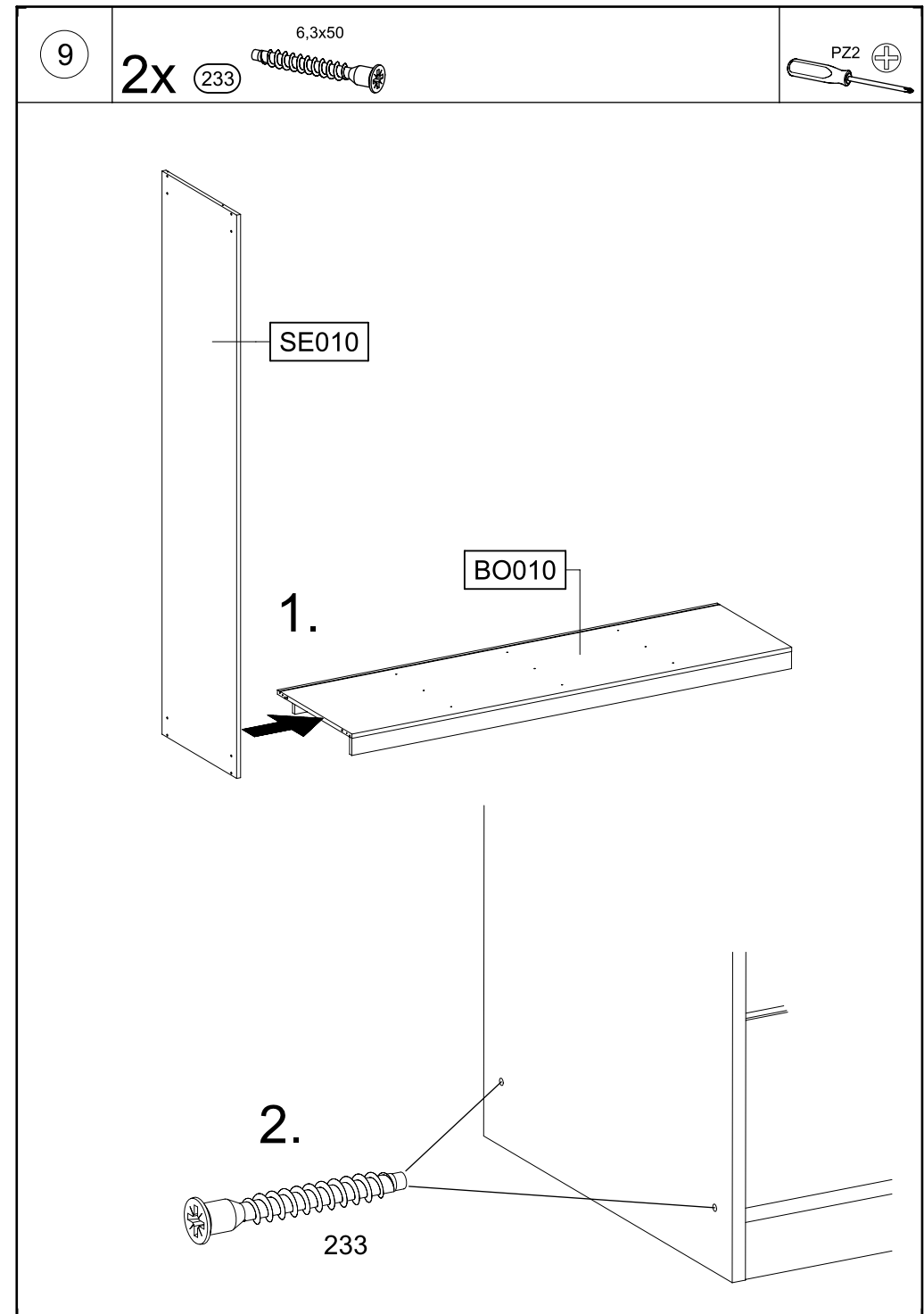
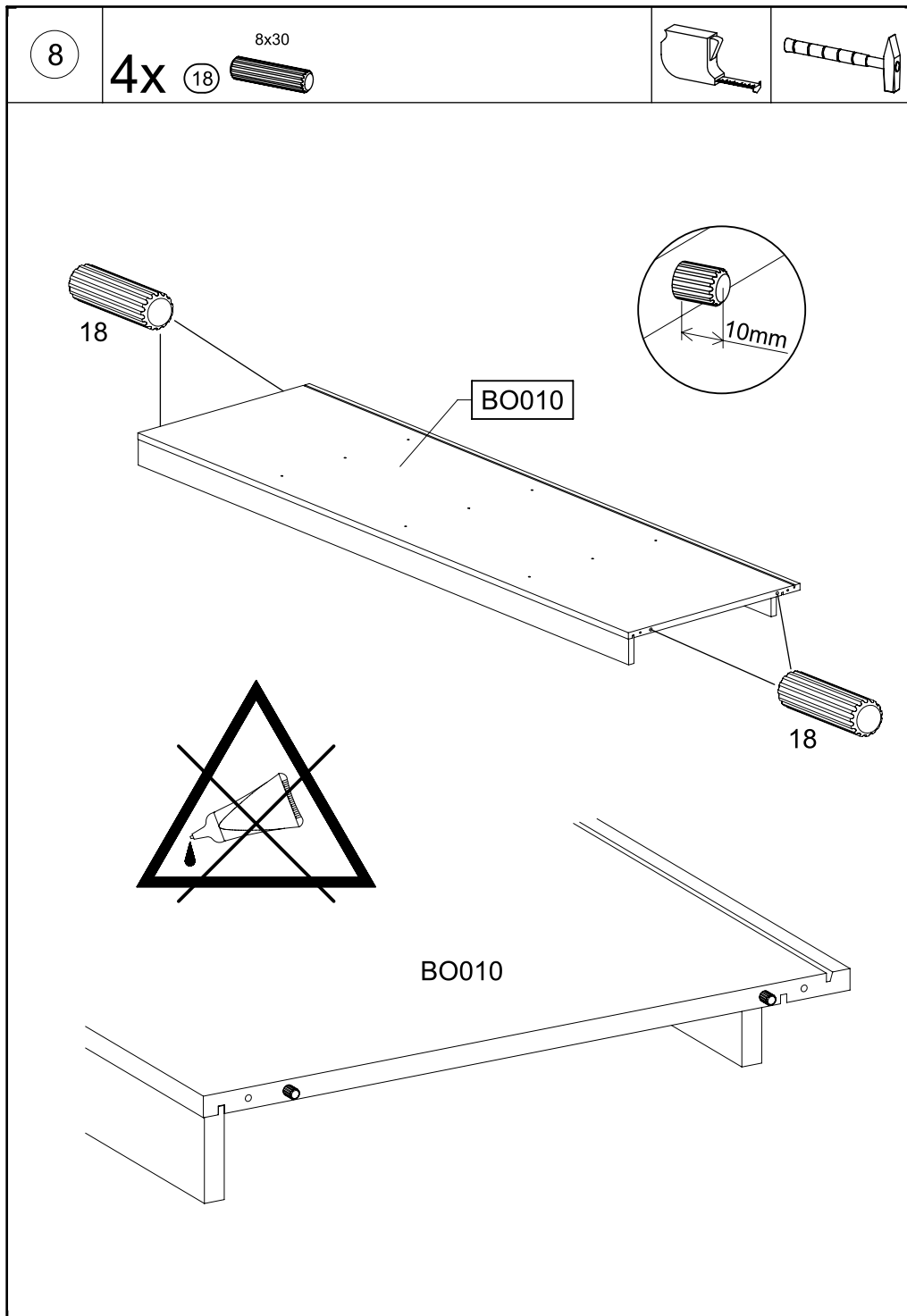
7

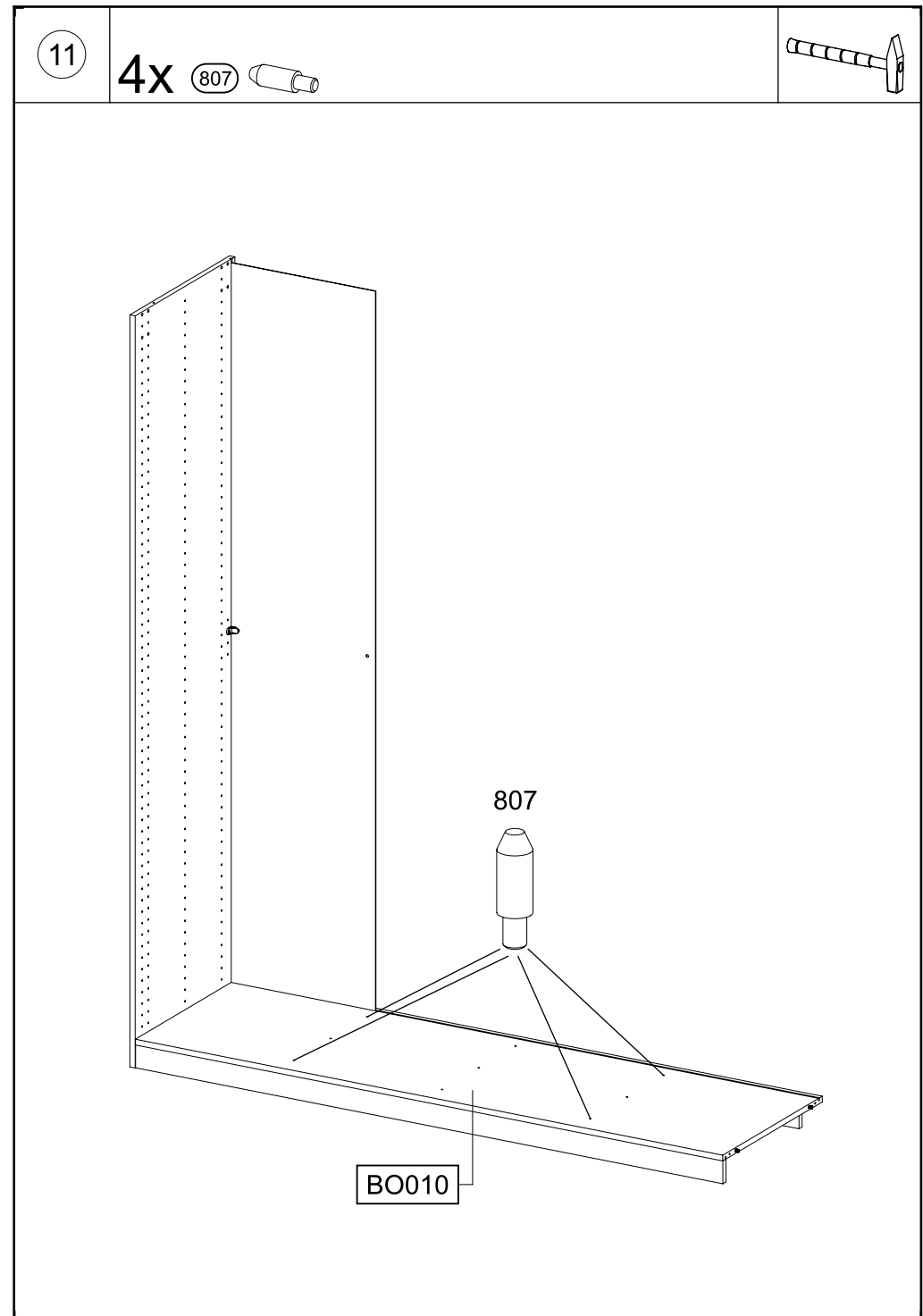
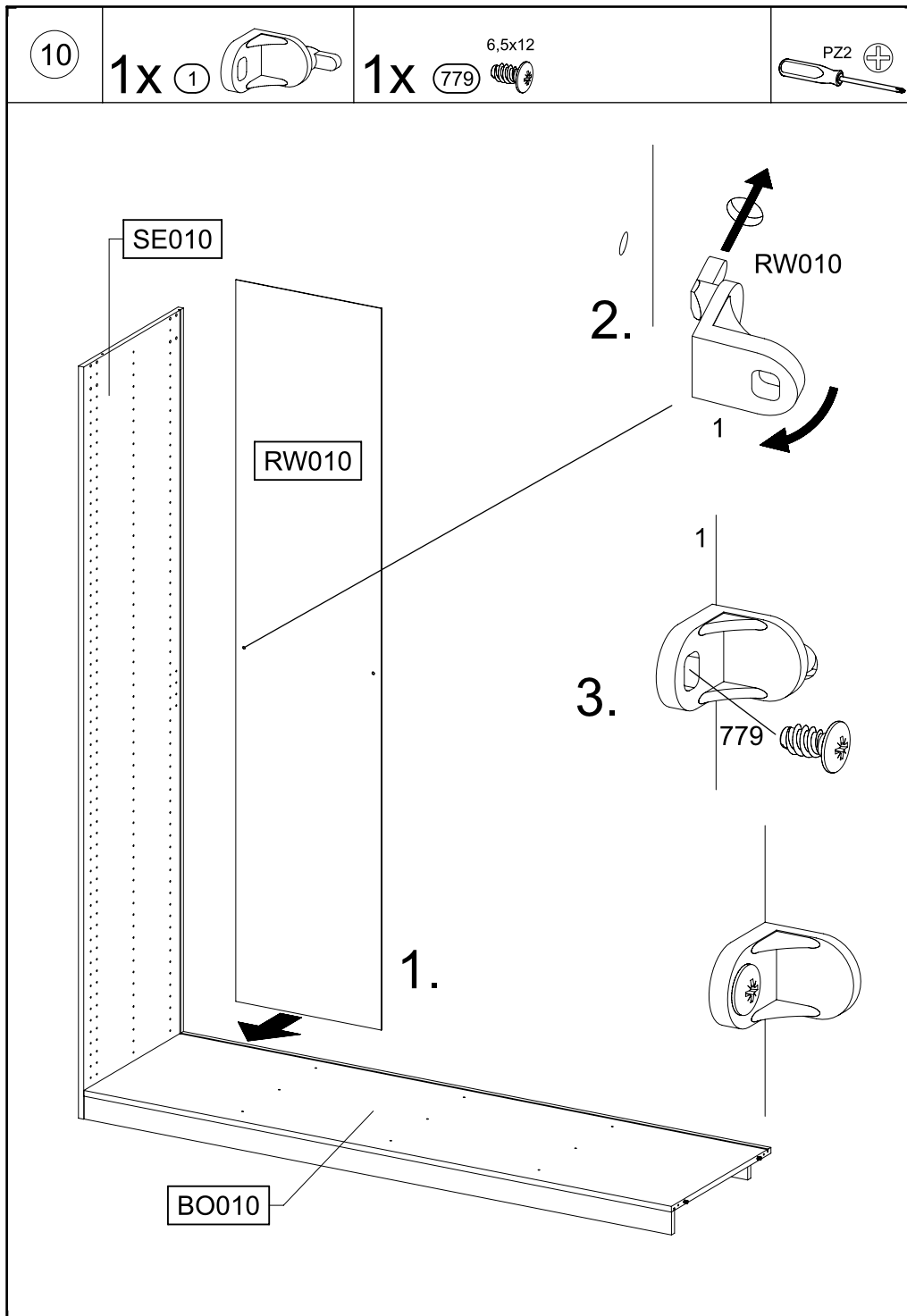
2x 1 

2x 201 

PZ2 







12

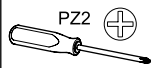
1x ①



1x ②

6,5x12
779

6,5x12



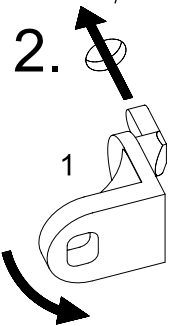
PZ2

RW010

MS010

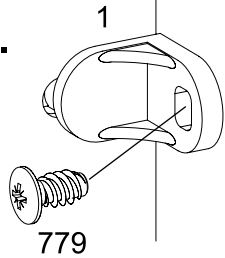
BO010

1.

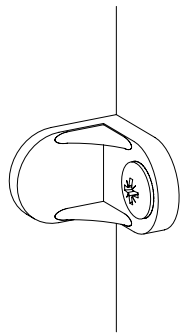


2.

3.

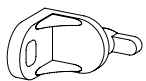


779



13

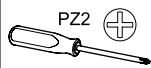
1x ①



1x ②

6,5x12
779

6,5x12



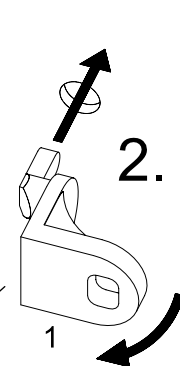
PZ2

MS010

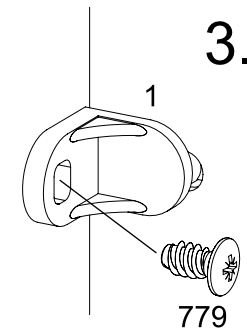
RW020

BO010

1.

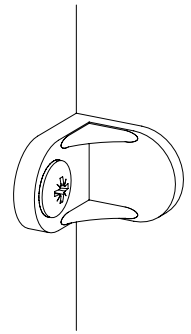


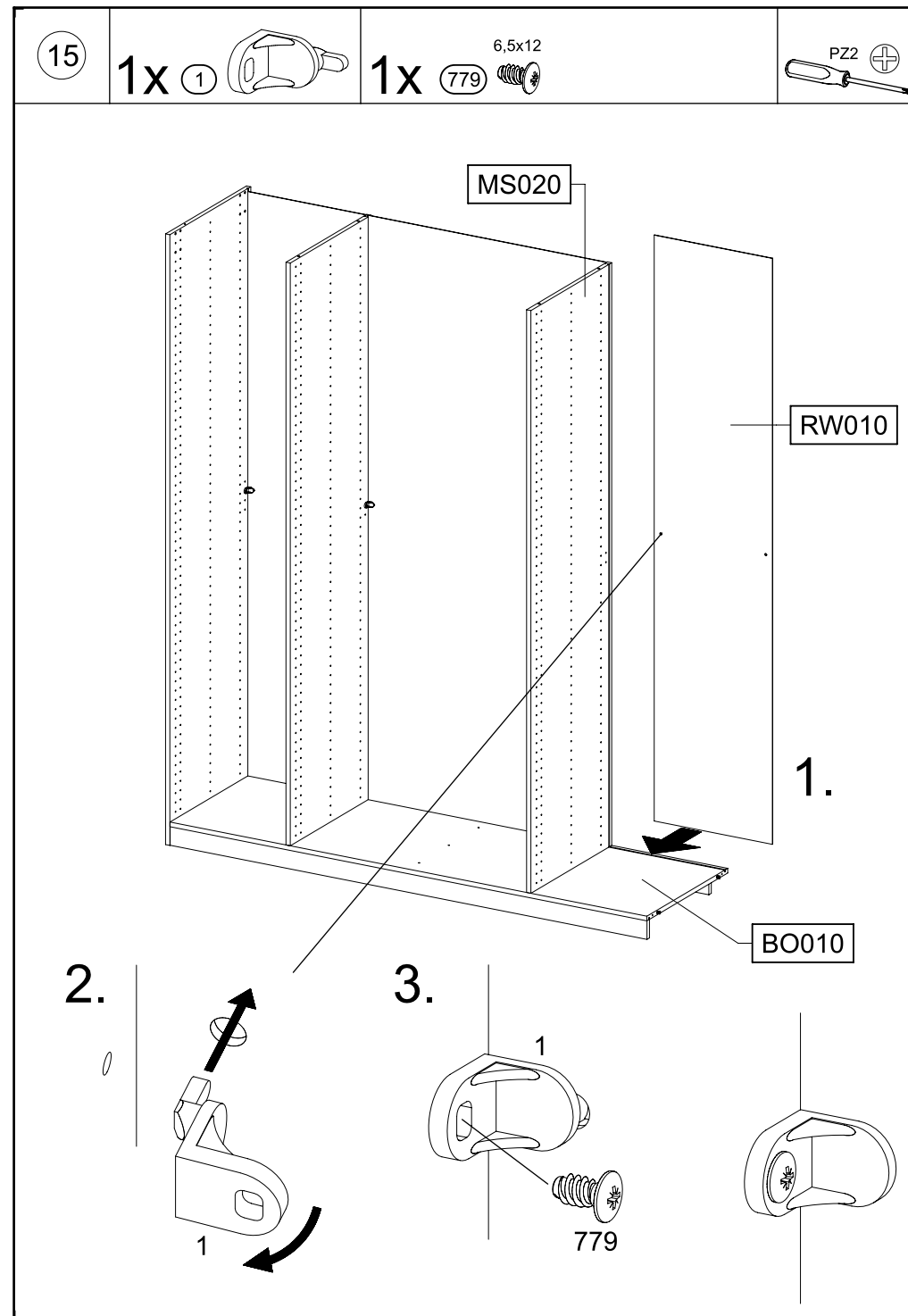
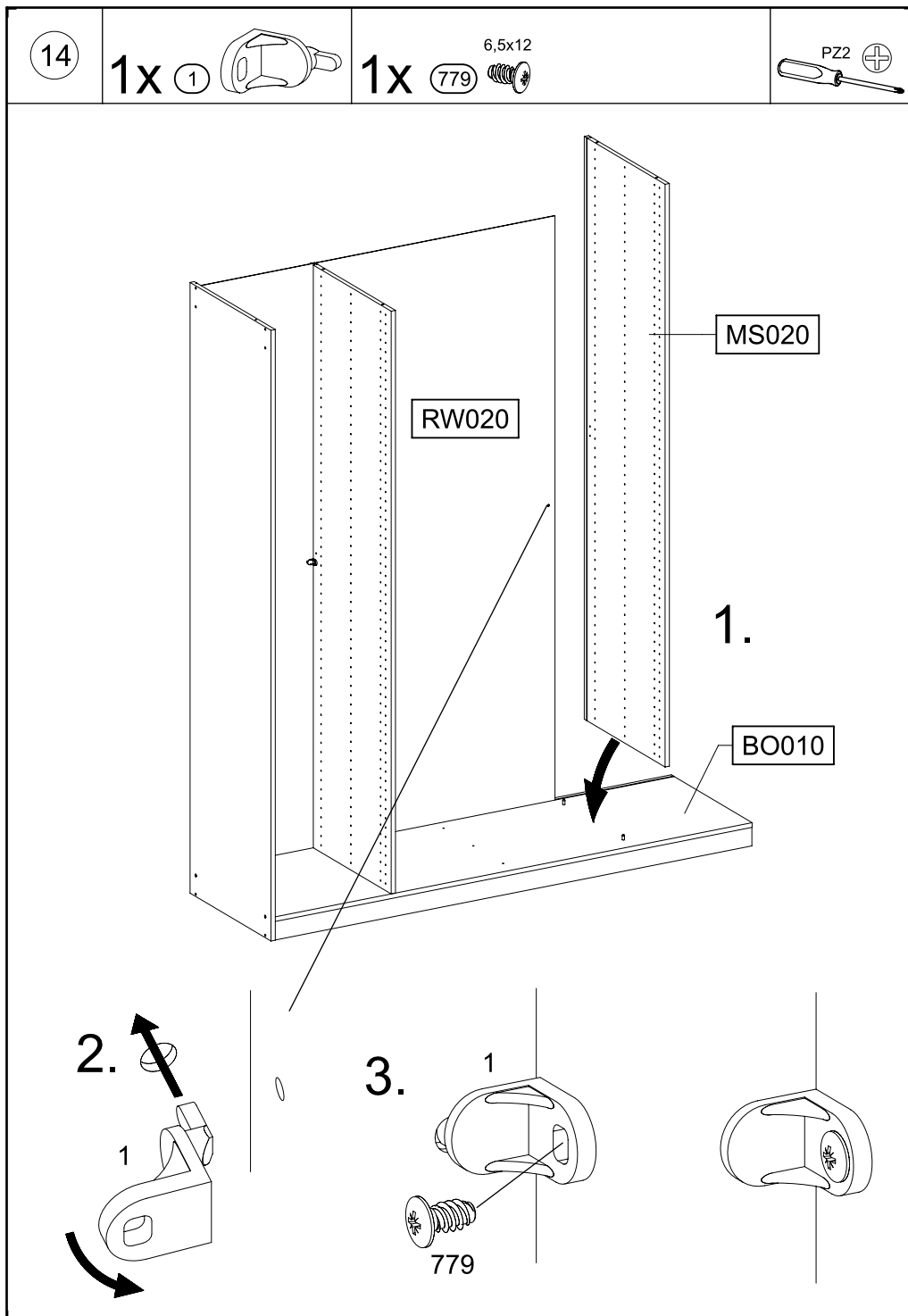
2.

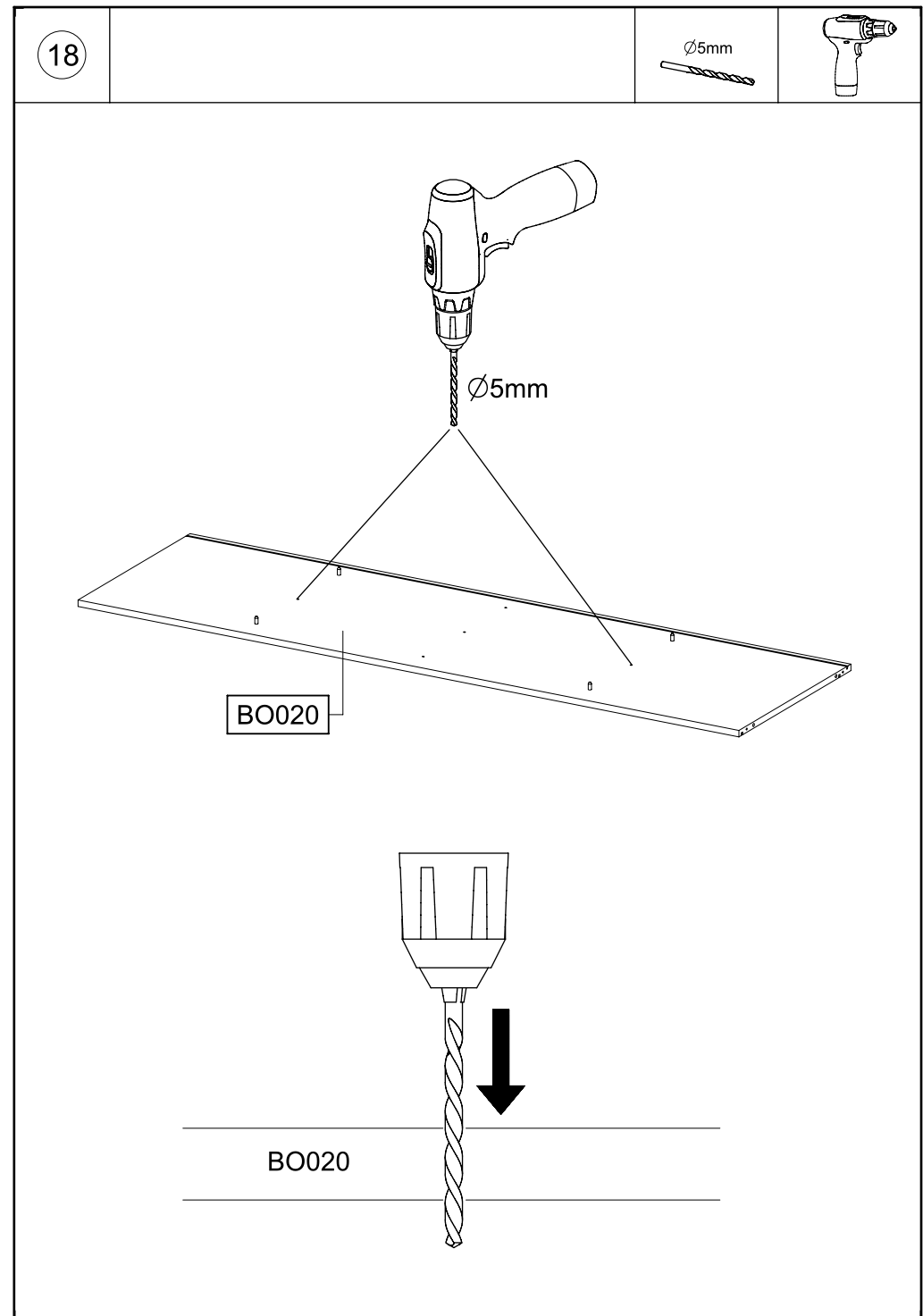
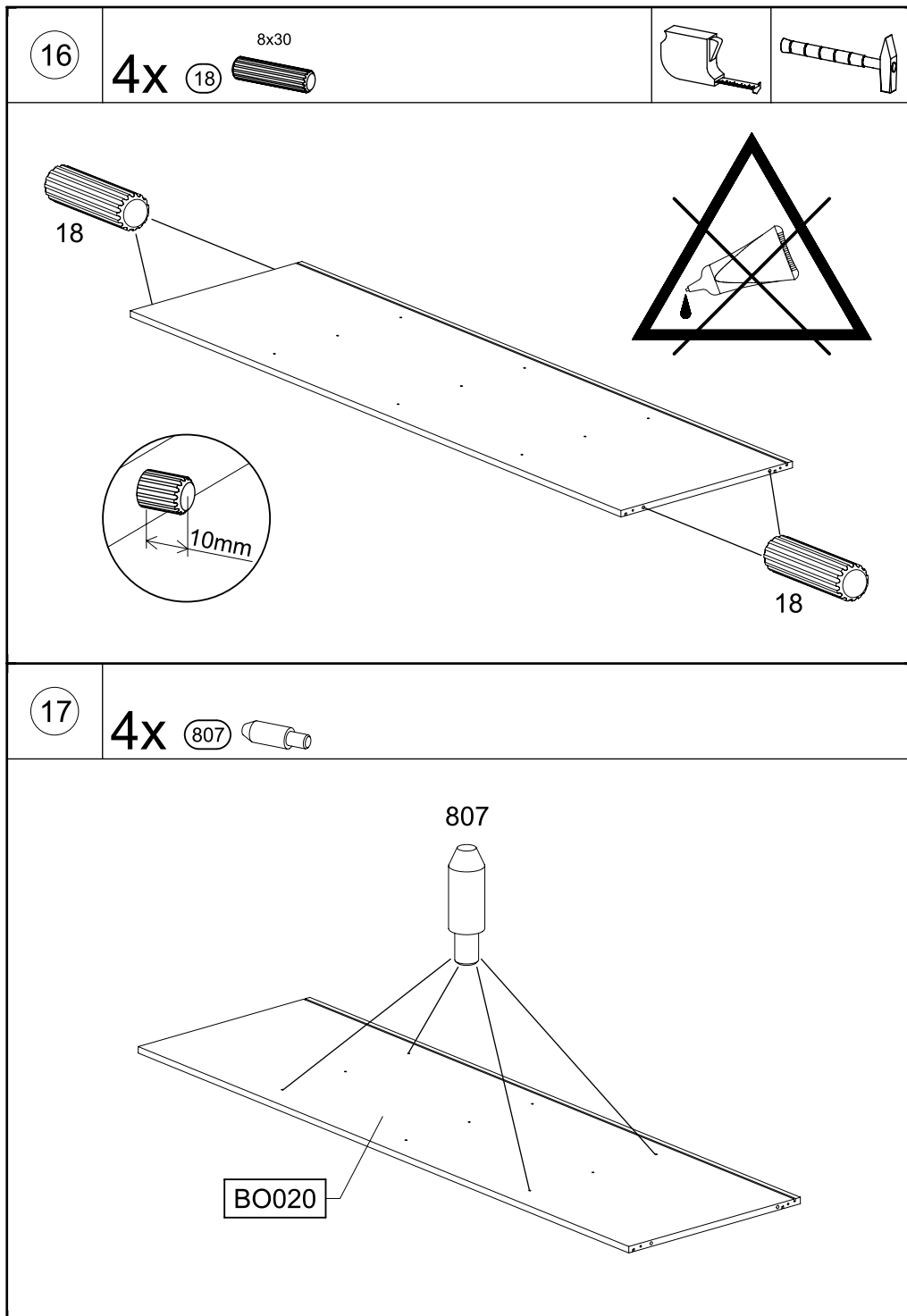


3.

779





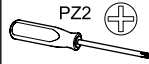


19

2x

233

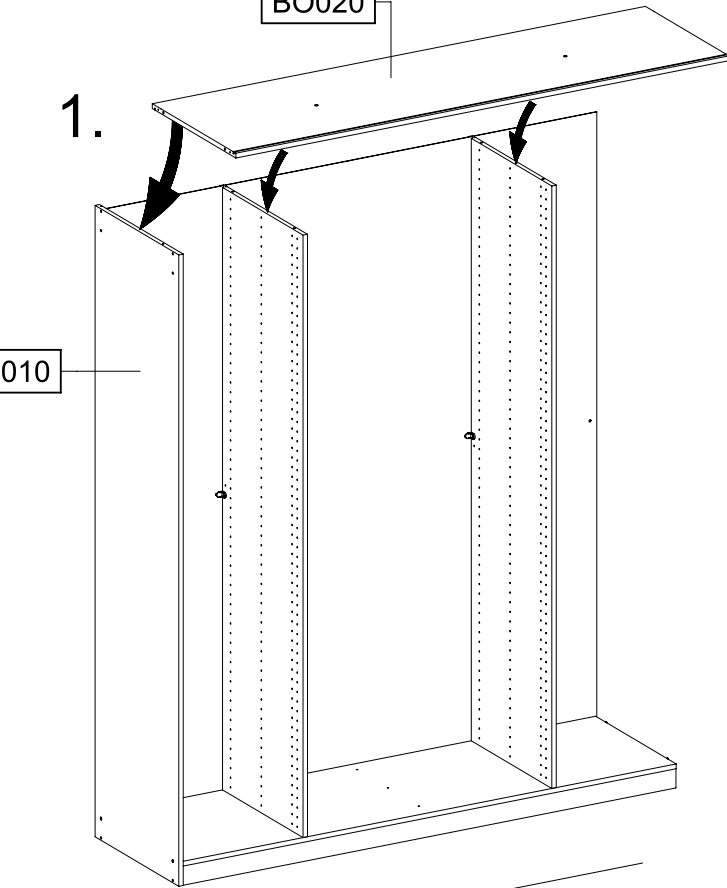
6,3x50



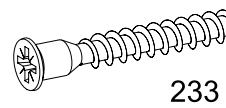
BO020

1.

SE010



2.



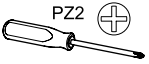
233

20

4x

233

6,3x50

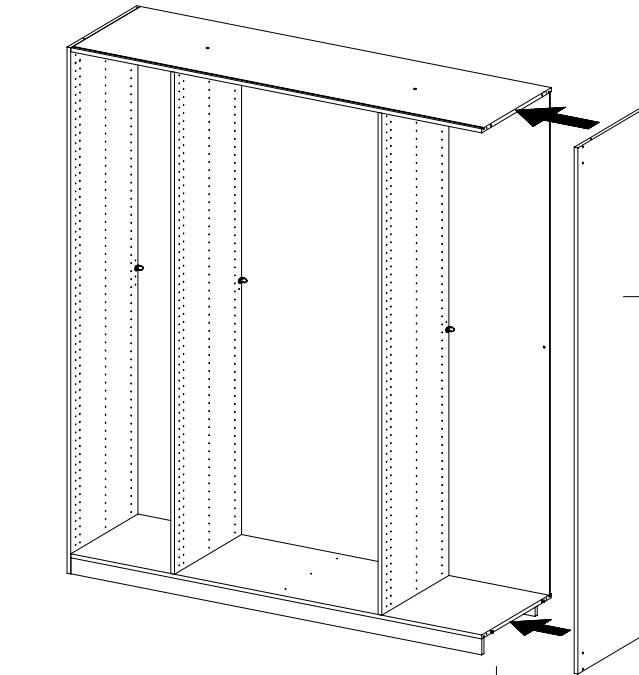
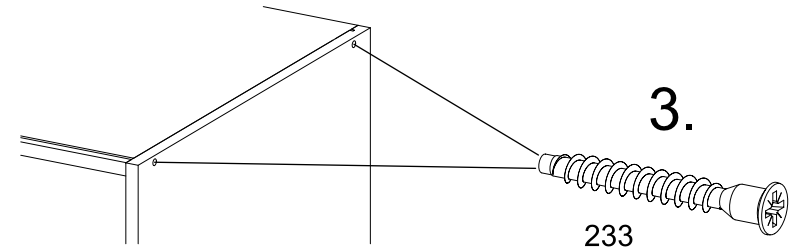


3.

233

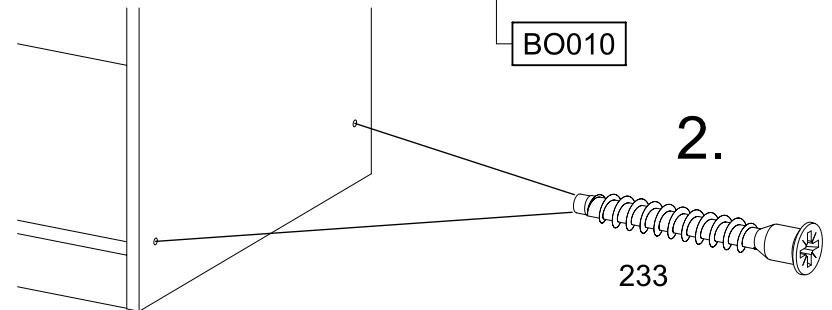
SE020

1.



BO010

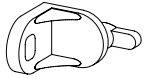
2.



233

21

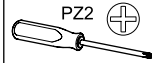
1x ①



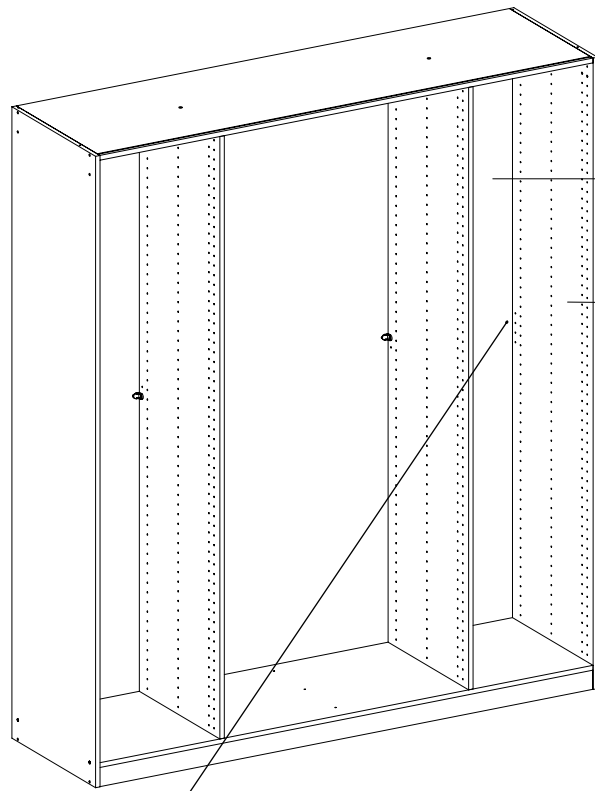
1x ②

779

6,5x12

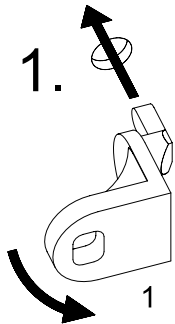


PZ2



RW010

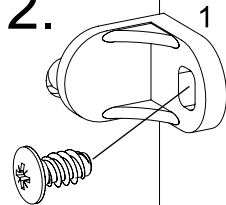
SE020



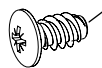
1.

1

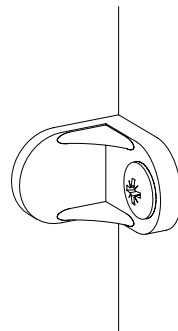
2.



1



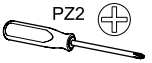
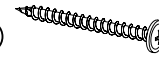
779



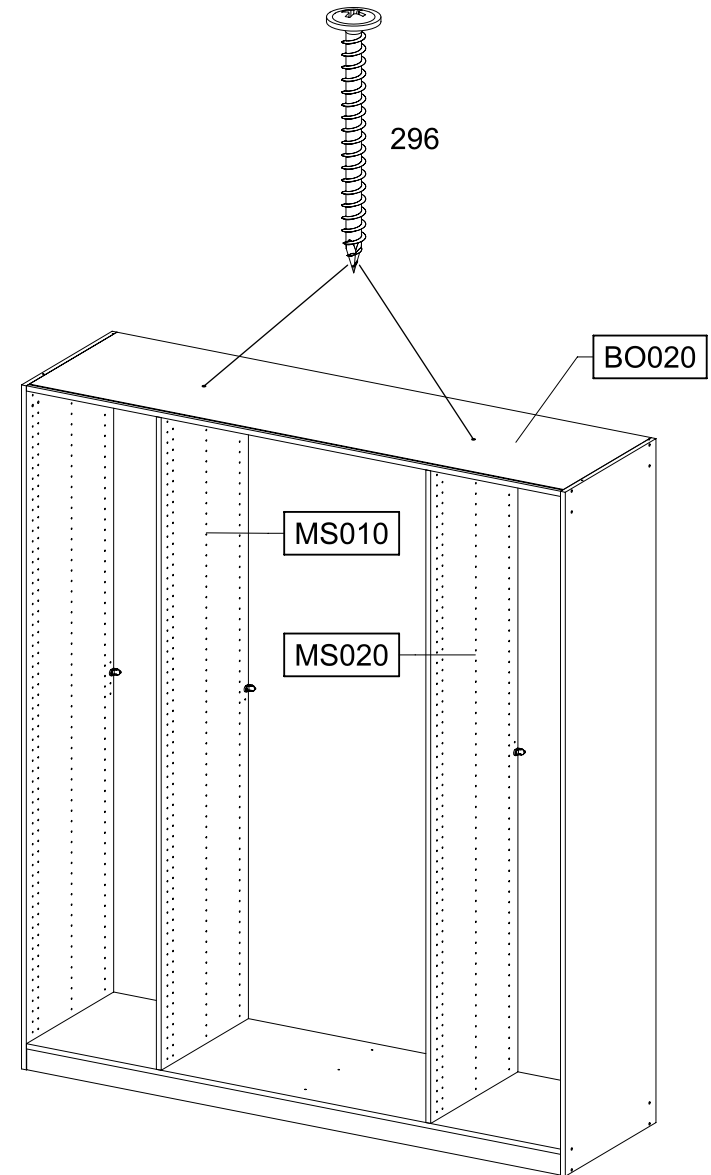
22

2x ③

4,5x50



PZ2



296

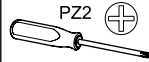
BO020

MS010

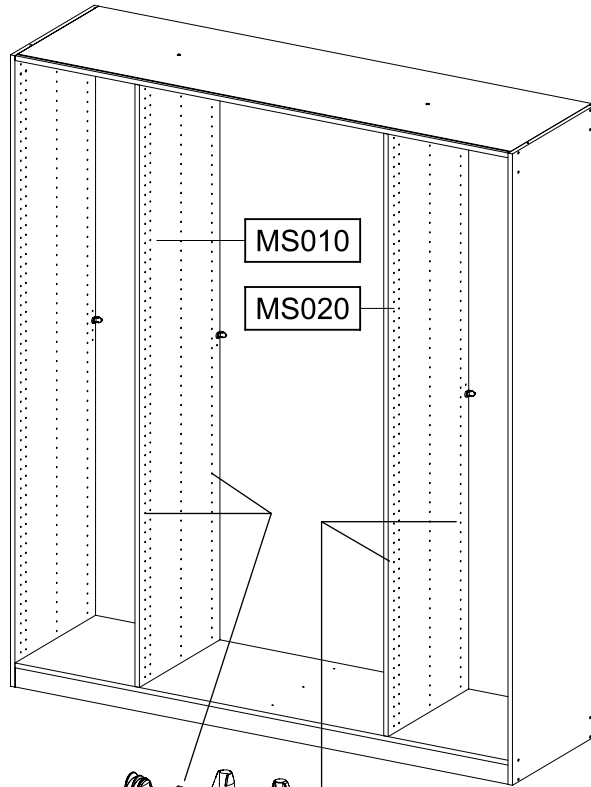
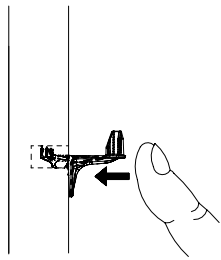
MS020

23

4x 1105

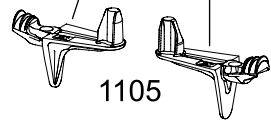


PZ2

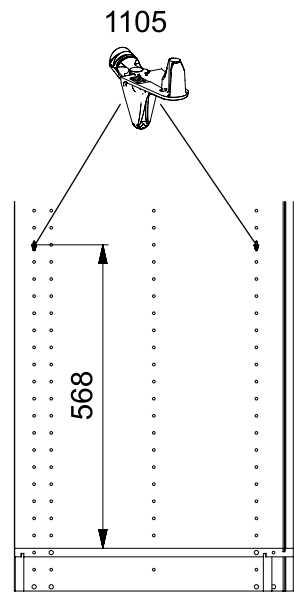


MS010

MS020



1105



1105

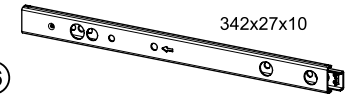
568

24

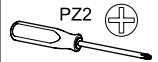
4x 205

3,5x15

4x 1396



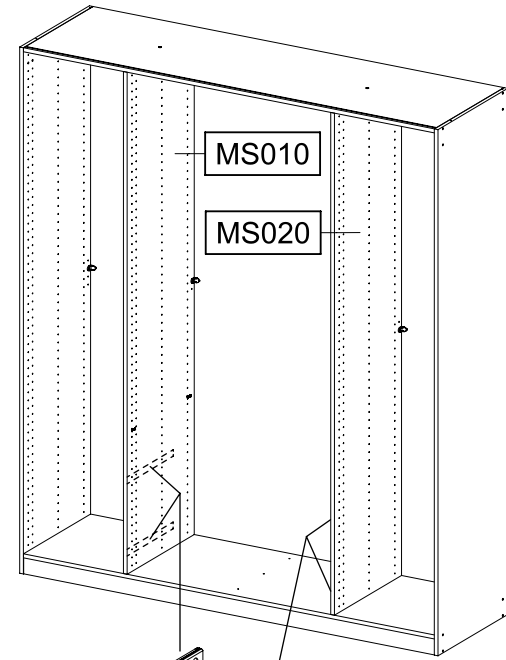
342x27x10



PZ2

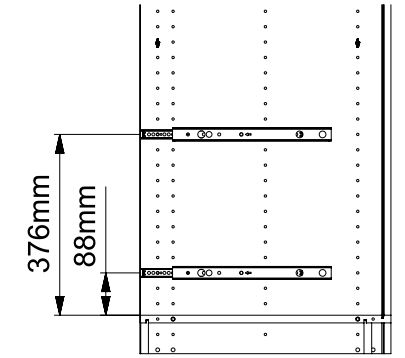
8x 534

6x8

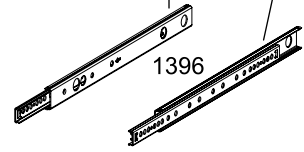


MS010

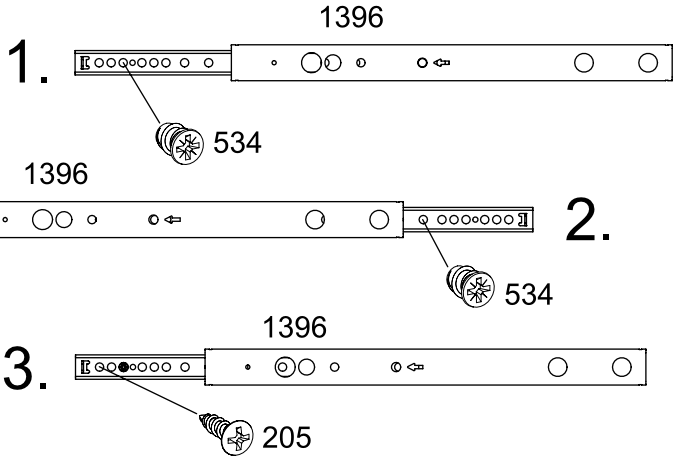
MS020



376mm
88mm



1396



1396

1.

534

1396

2.

534

1396

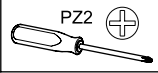
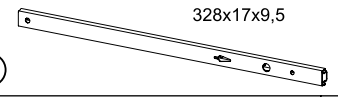
3.

205

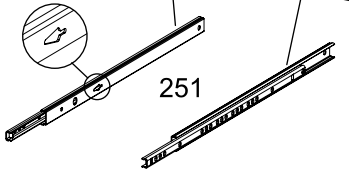
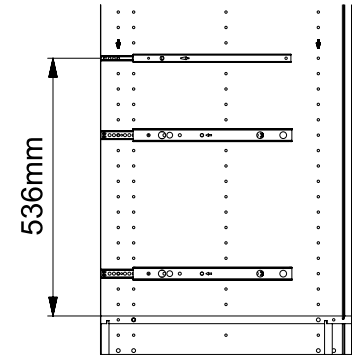
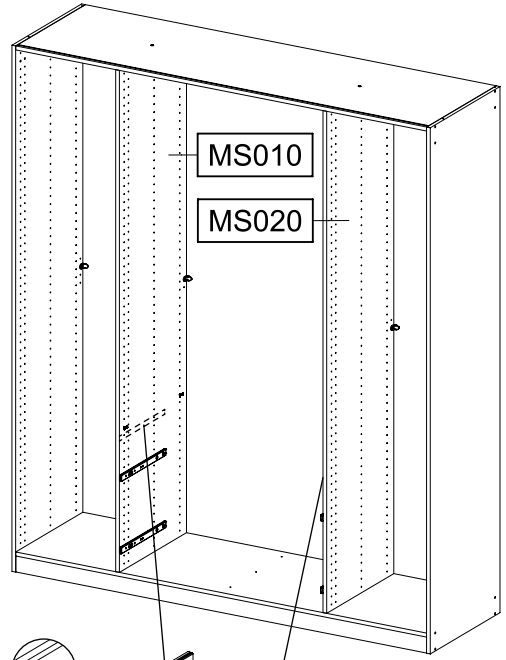
25

2x 205 3,5x15

2x 251

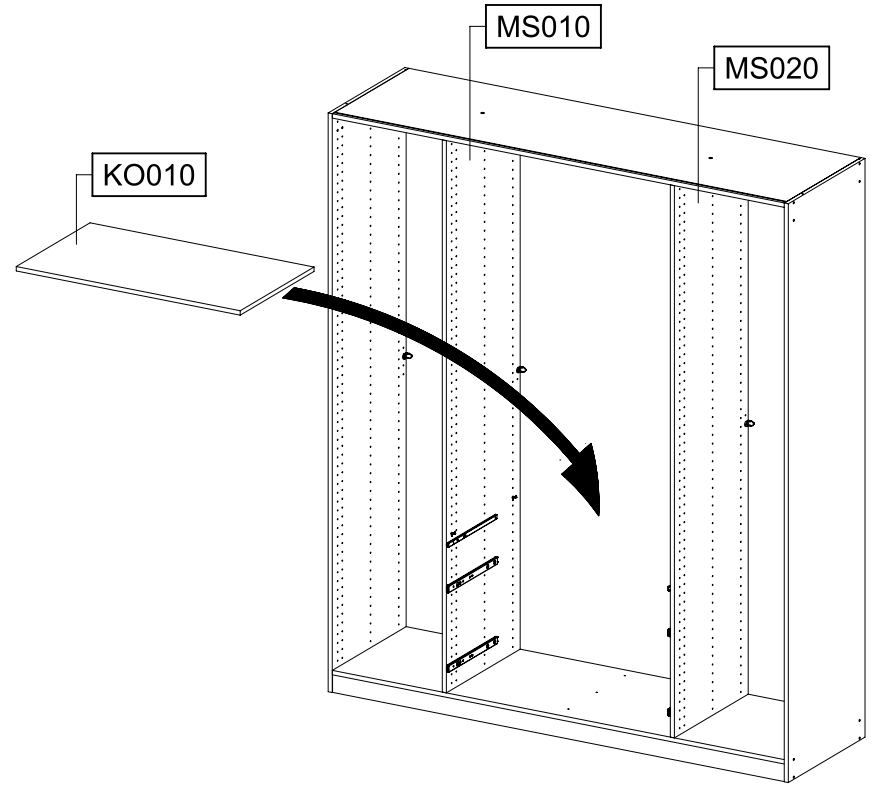


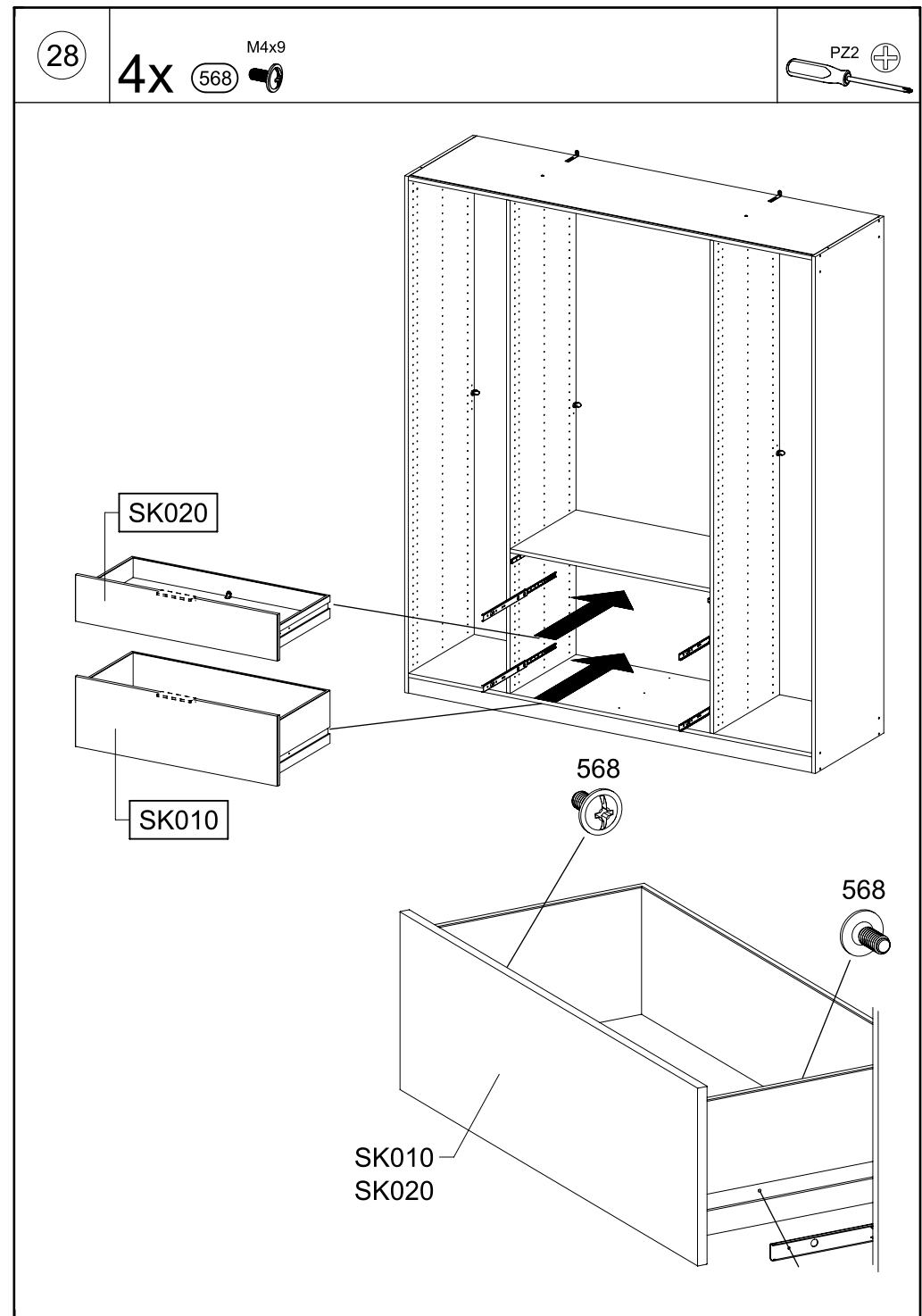
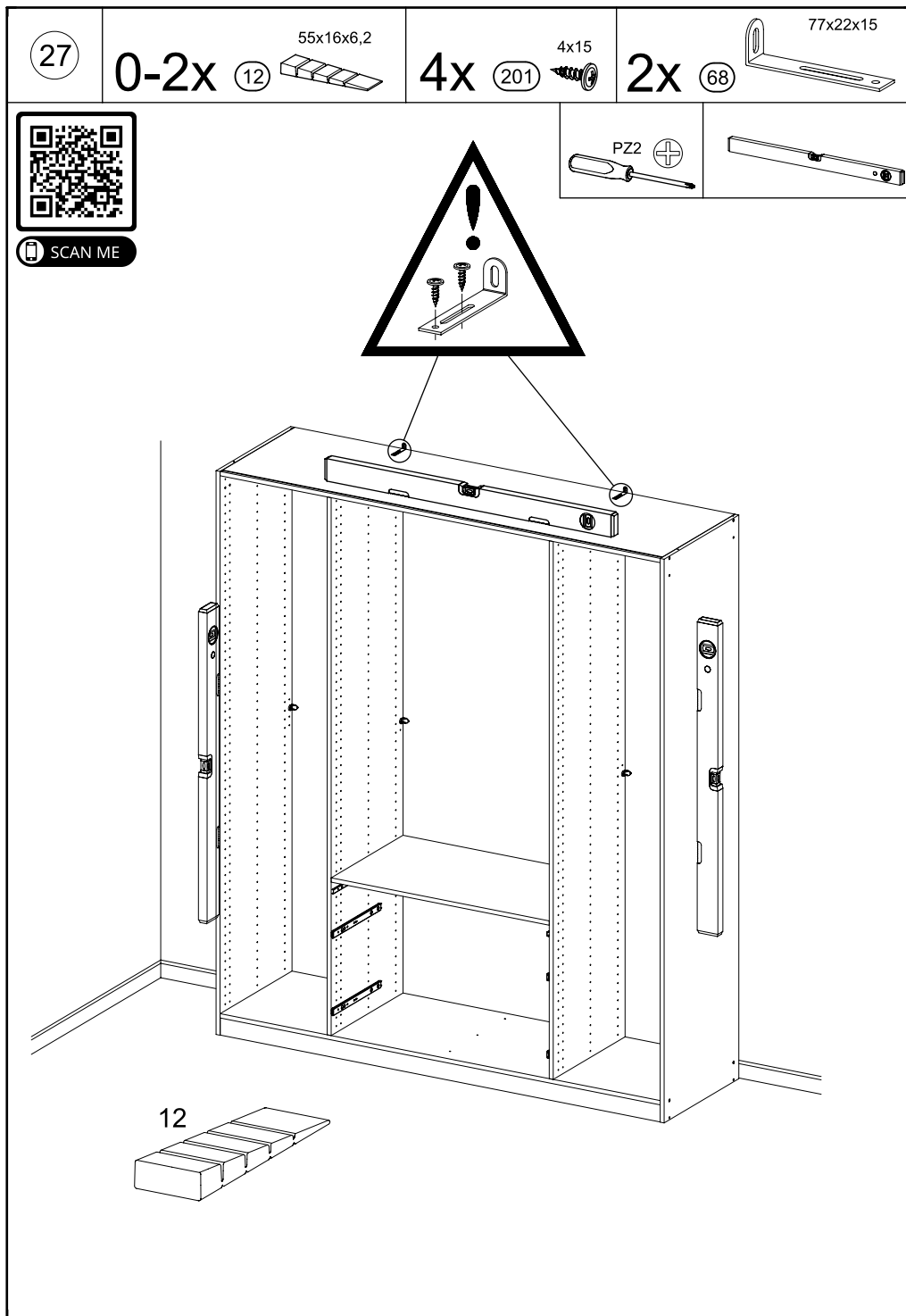
4x 534 6x8

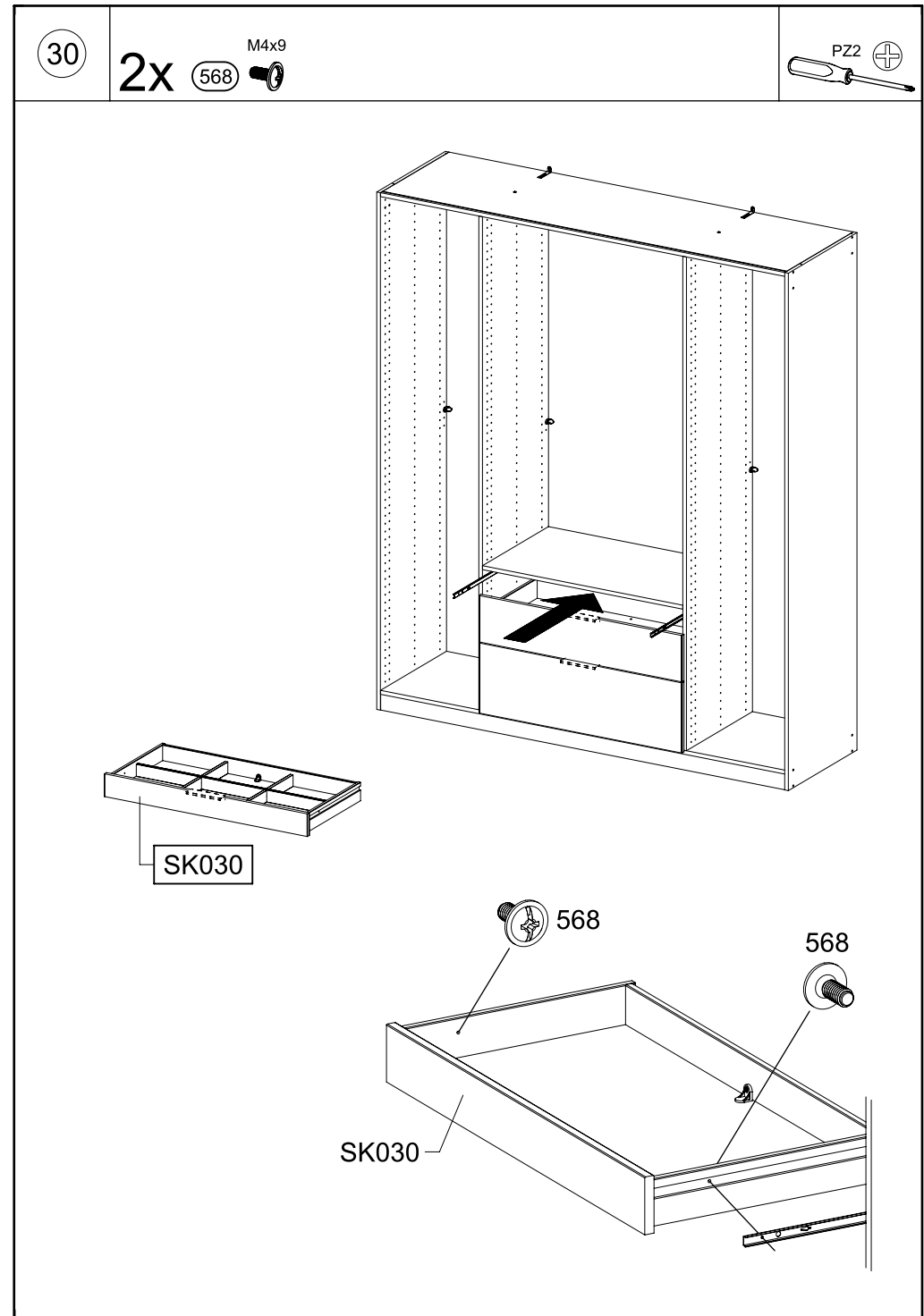
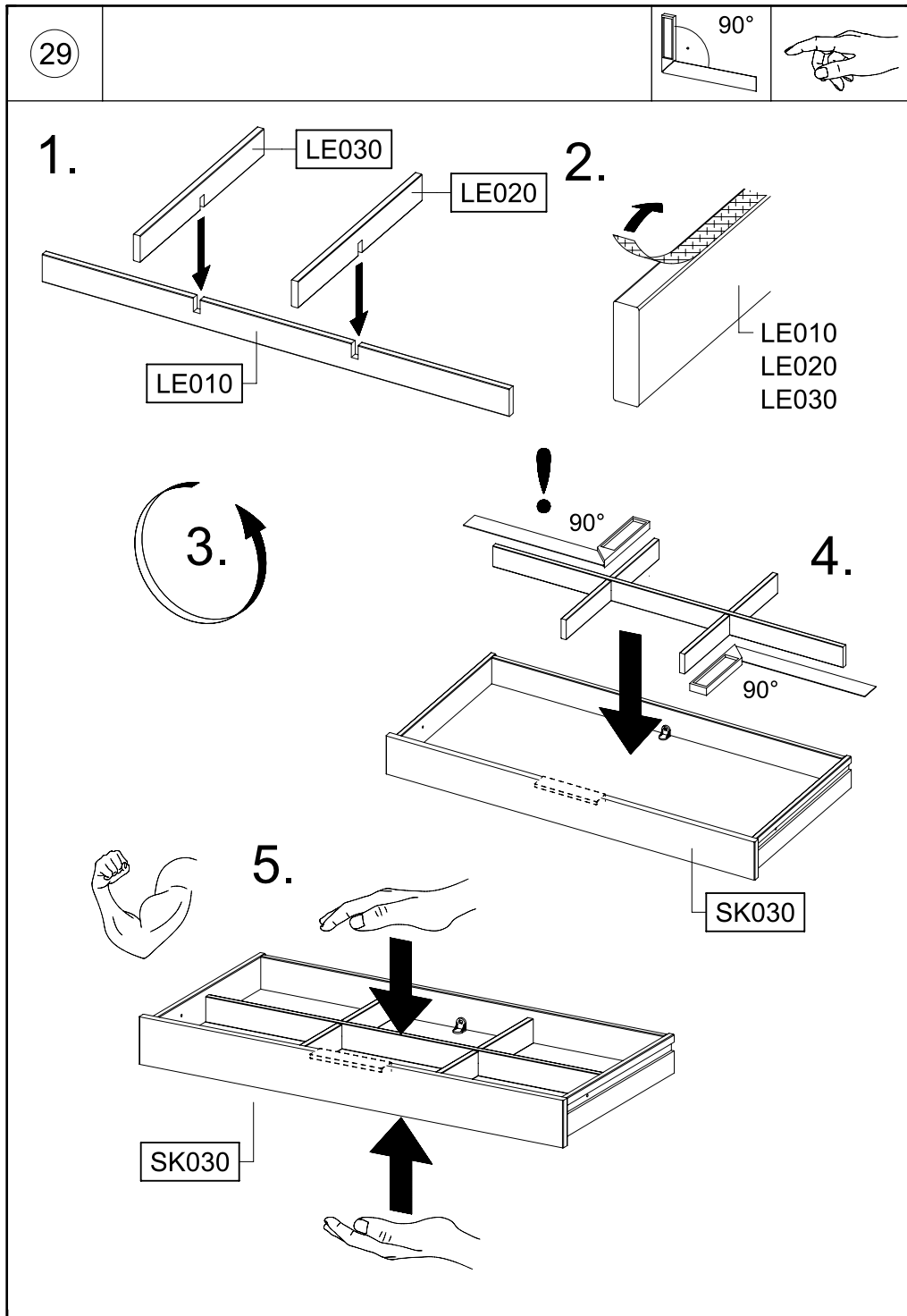


1. 251 534
2. 251 534
3. 251 205

26

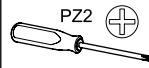
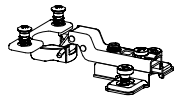




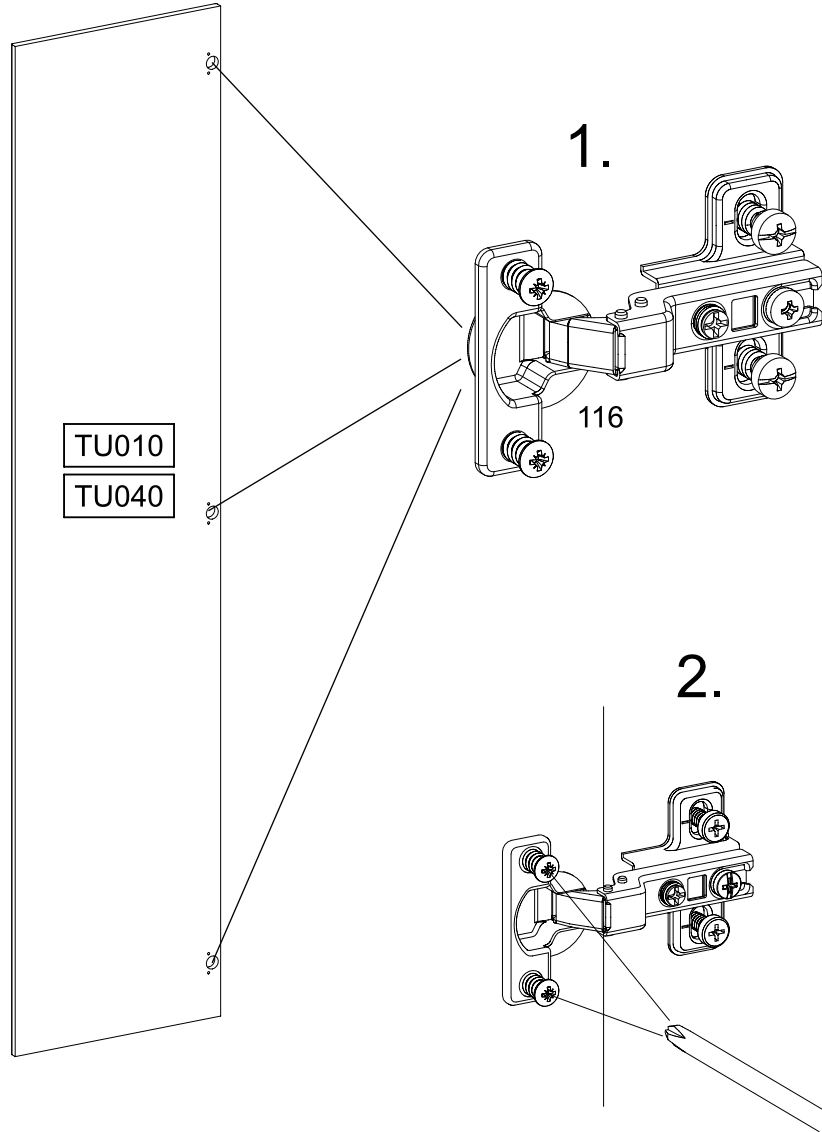


31

6x 116

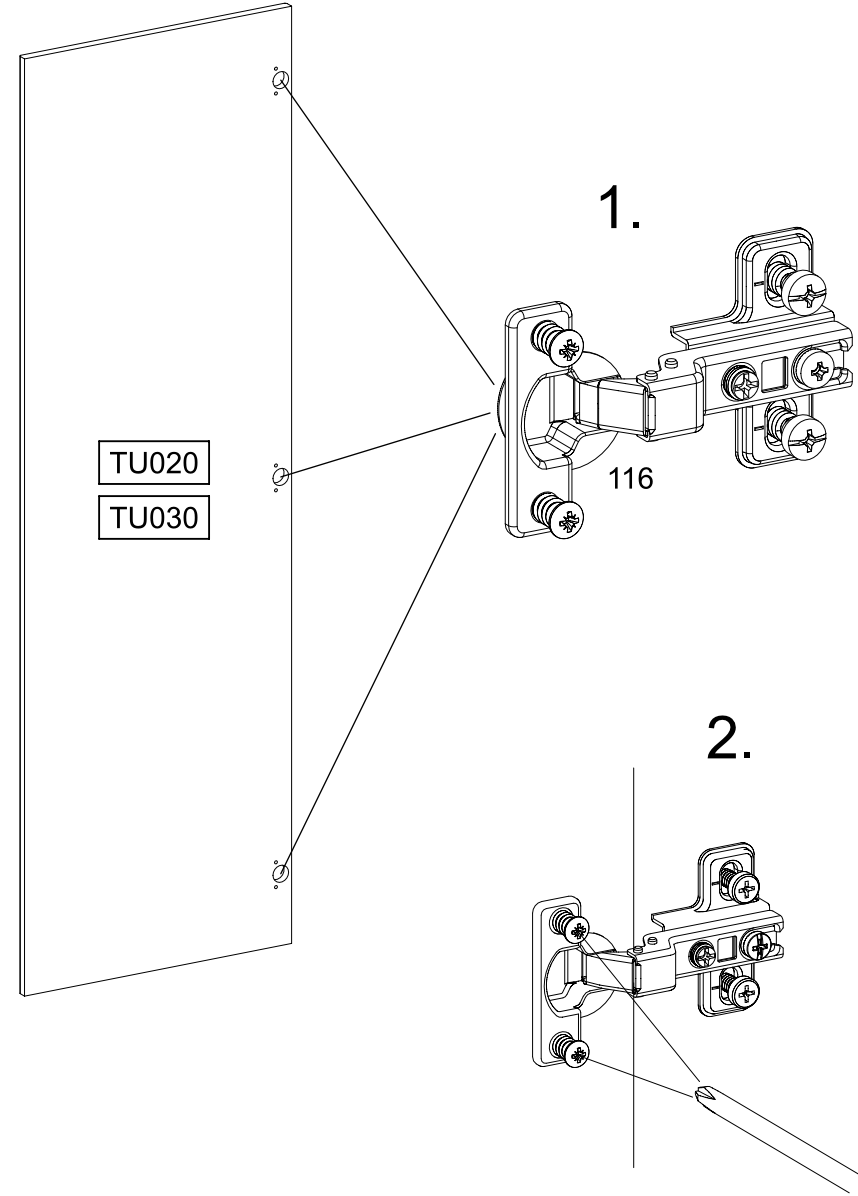
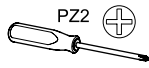
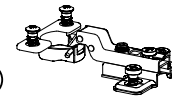


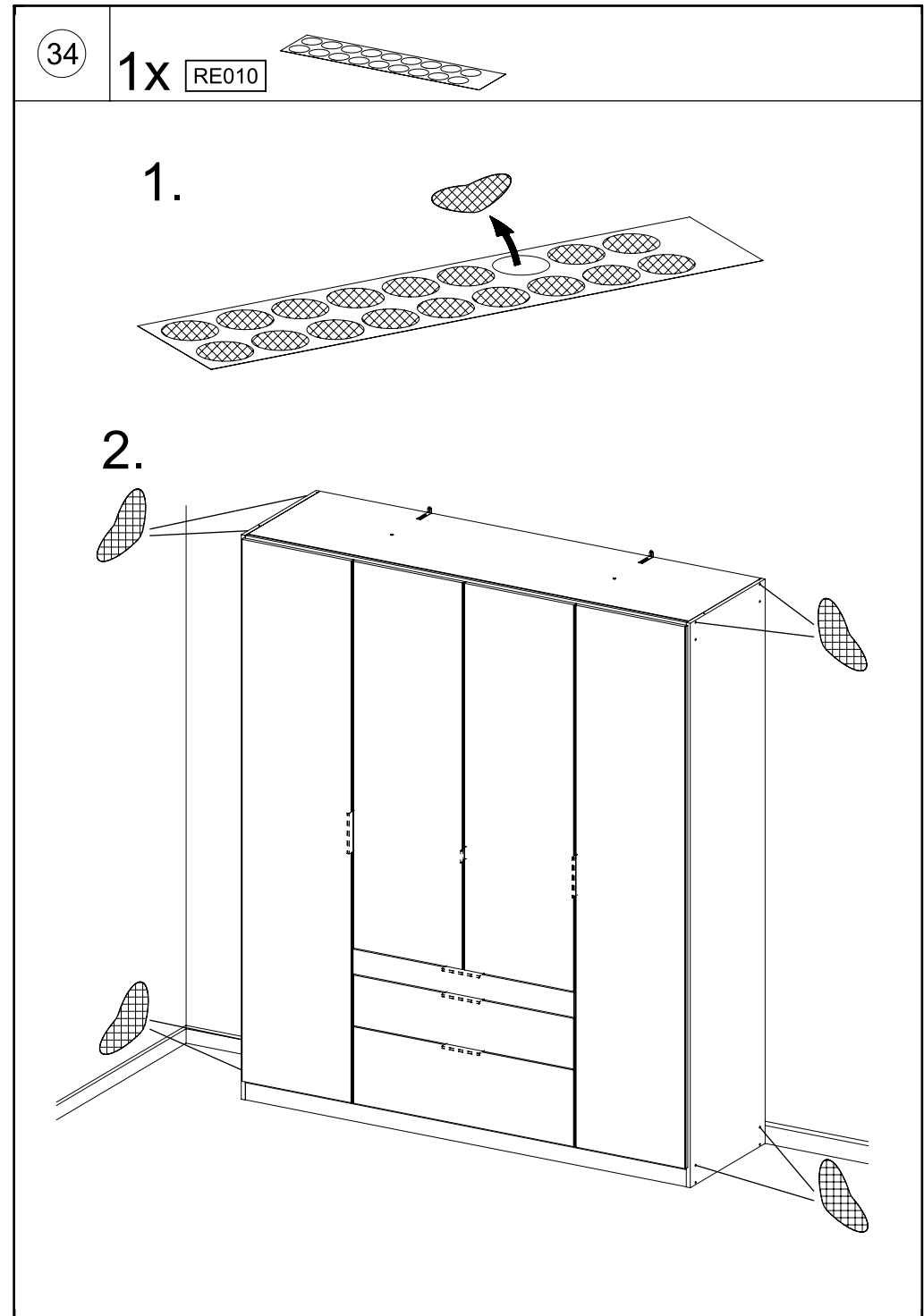
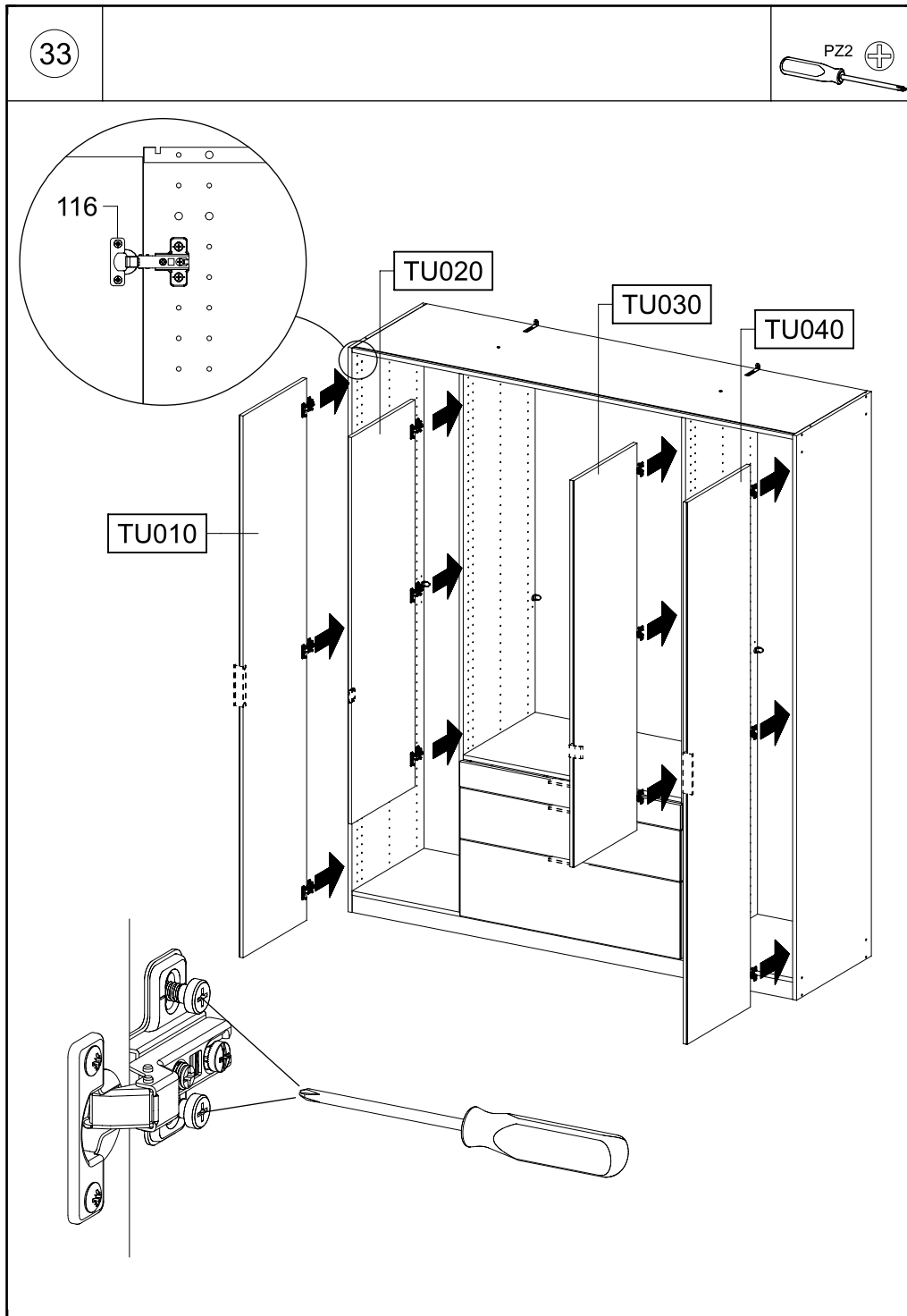
SCAN ME



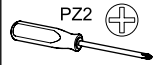
32

6x 116





35



SCAN ME

