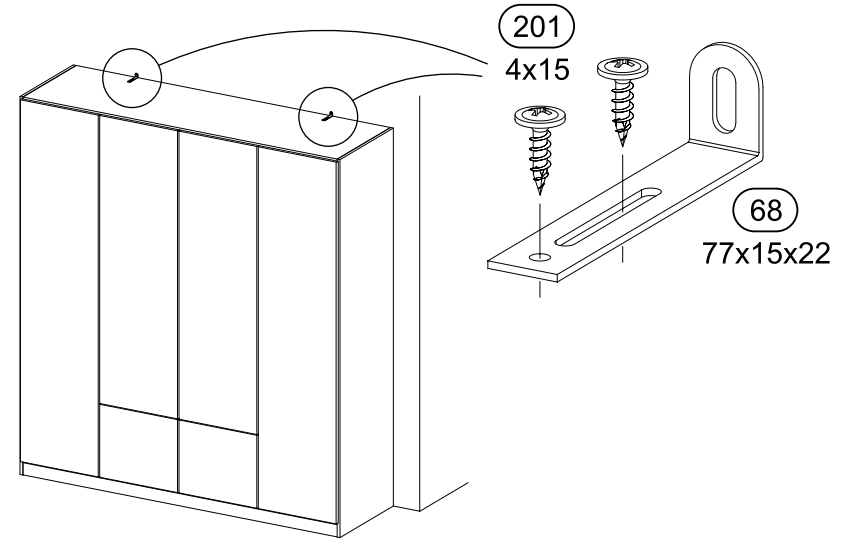
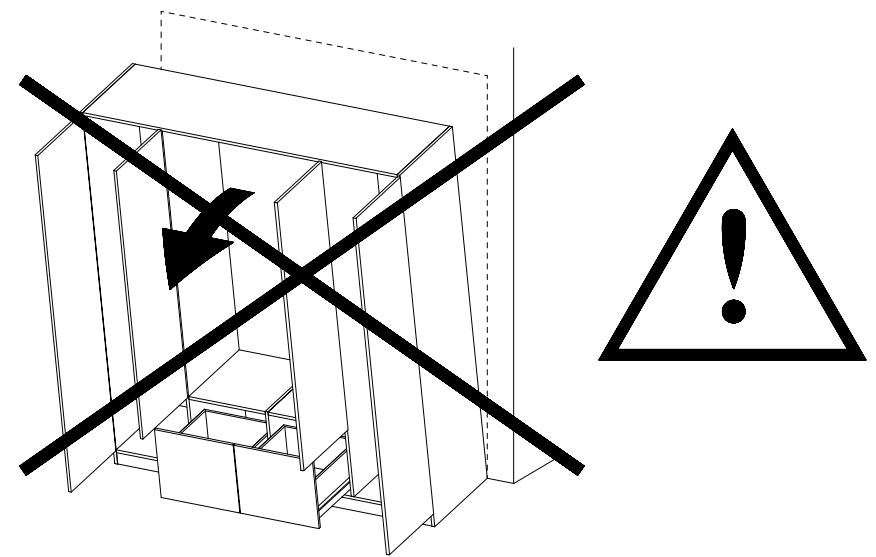
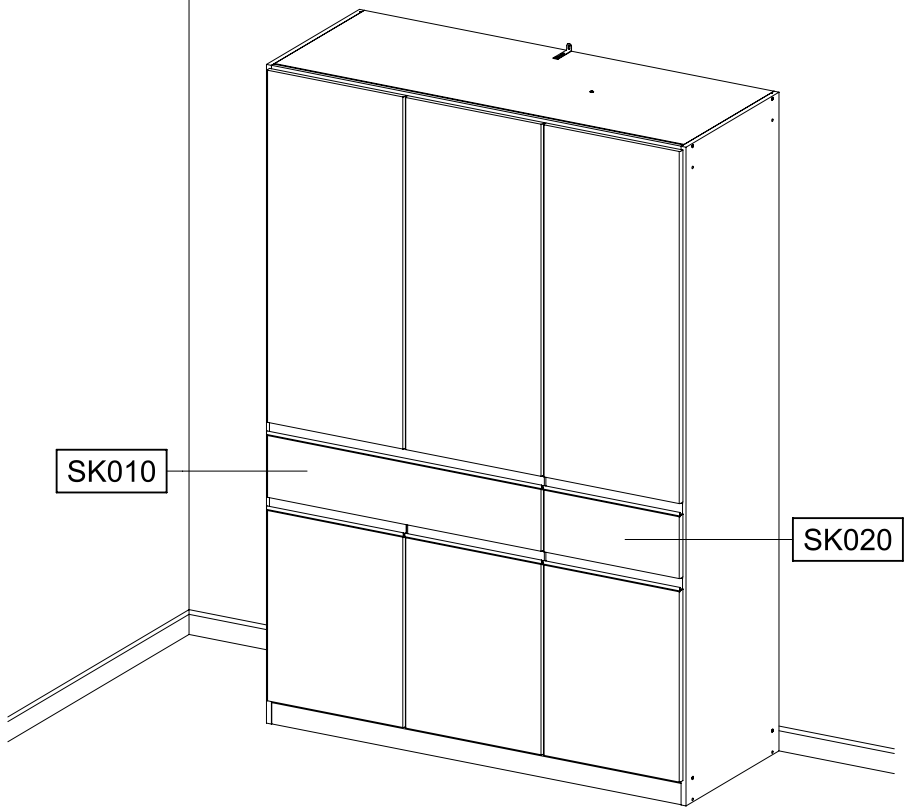
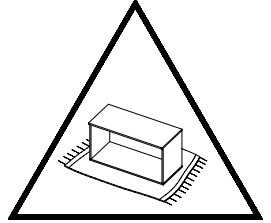
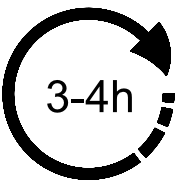
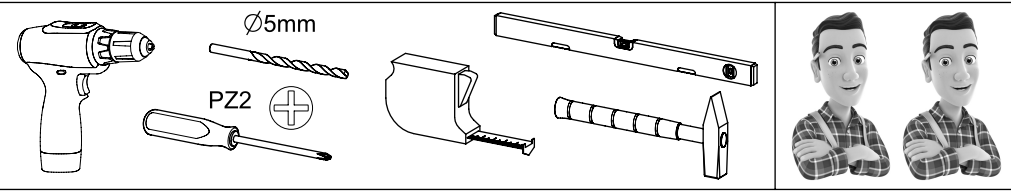
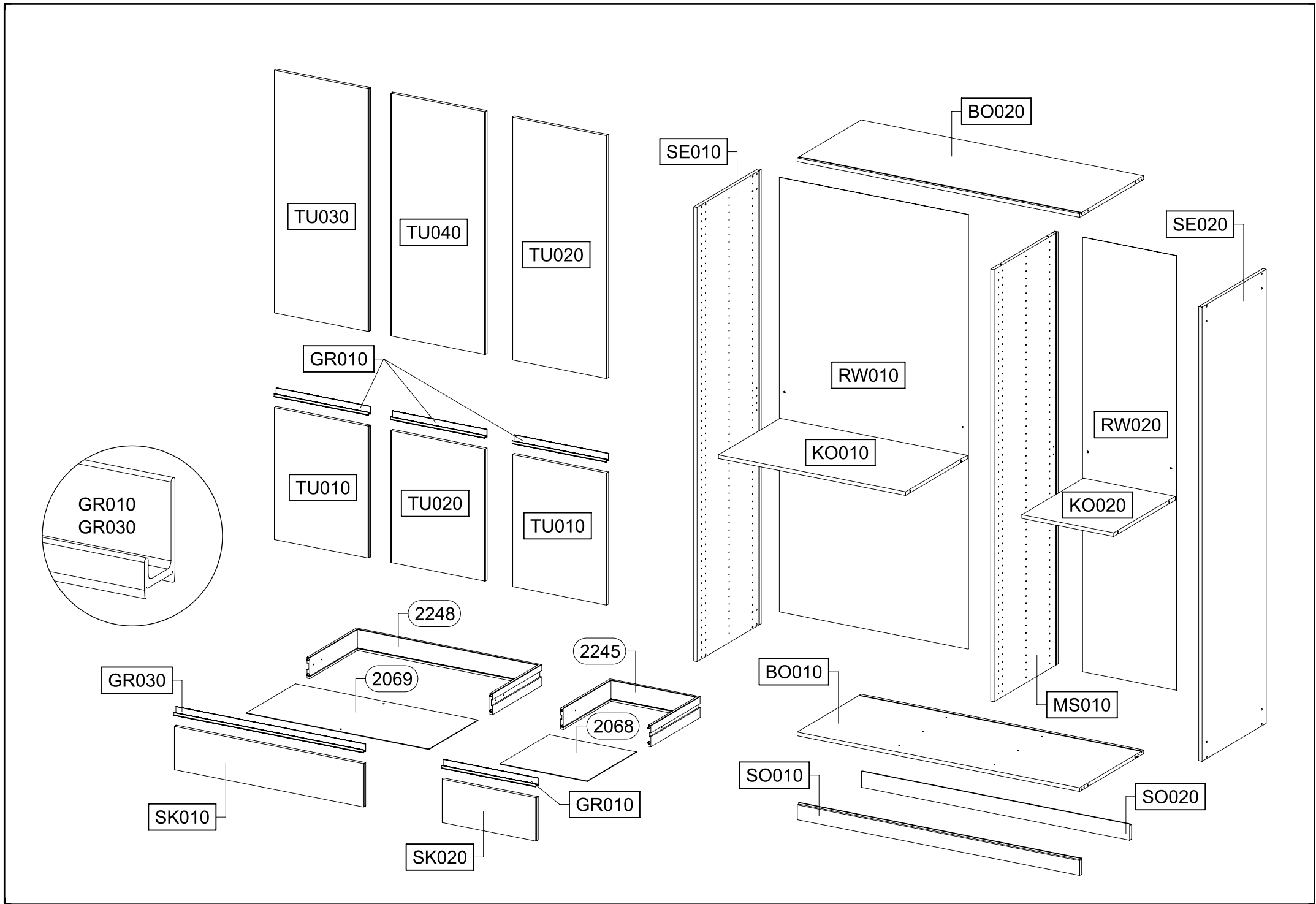
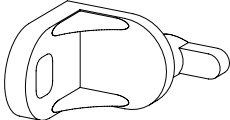
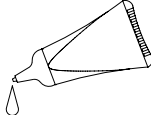
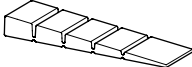

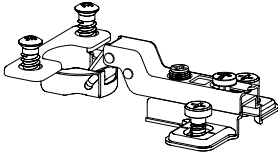

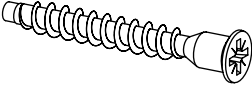


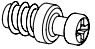
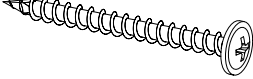


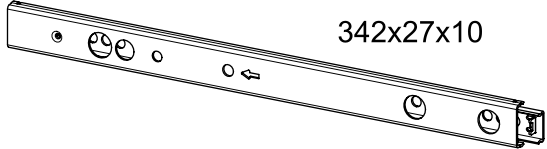


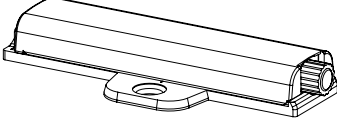
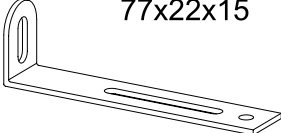
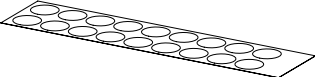
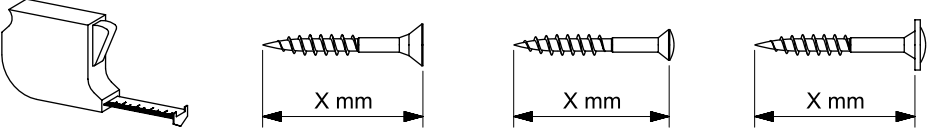
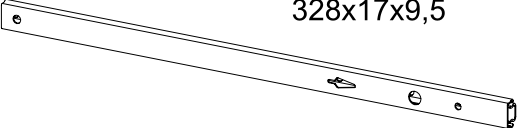
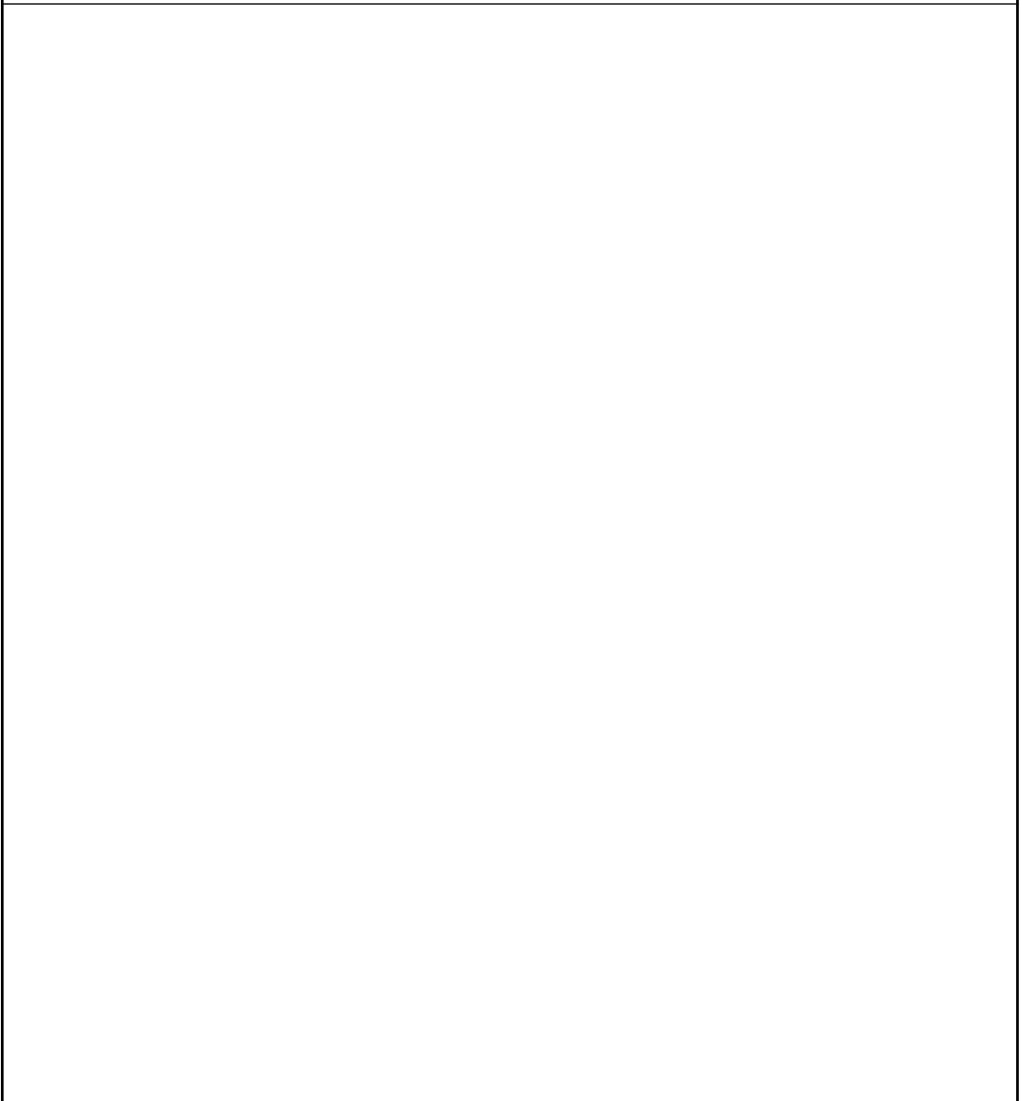
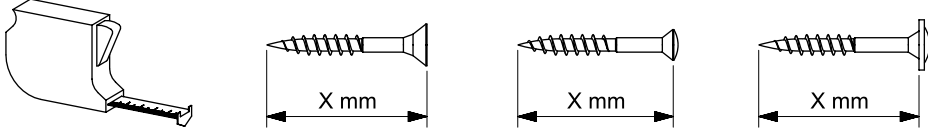


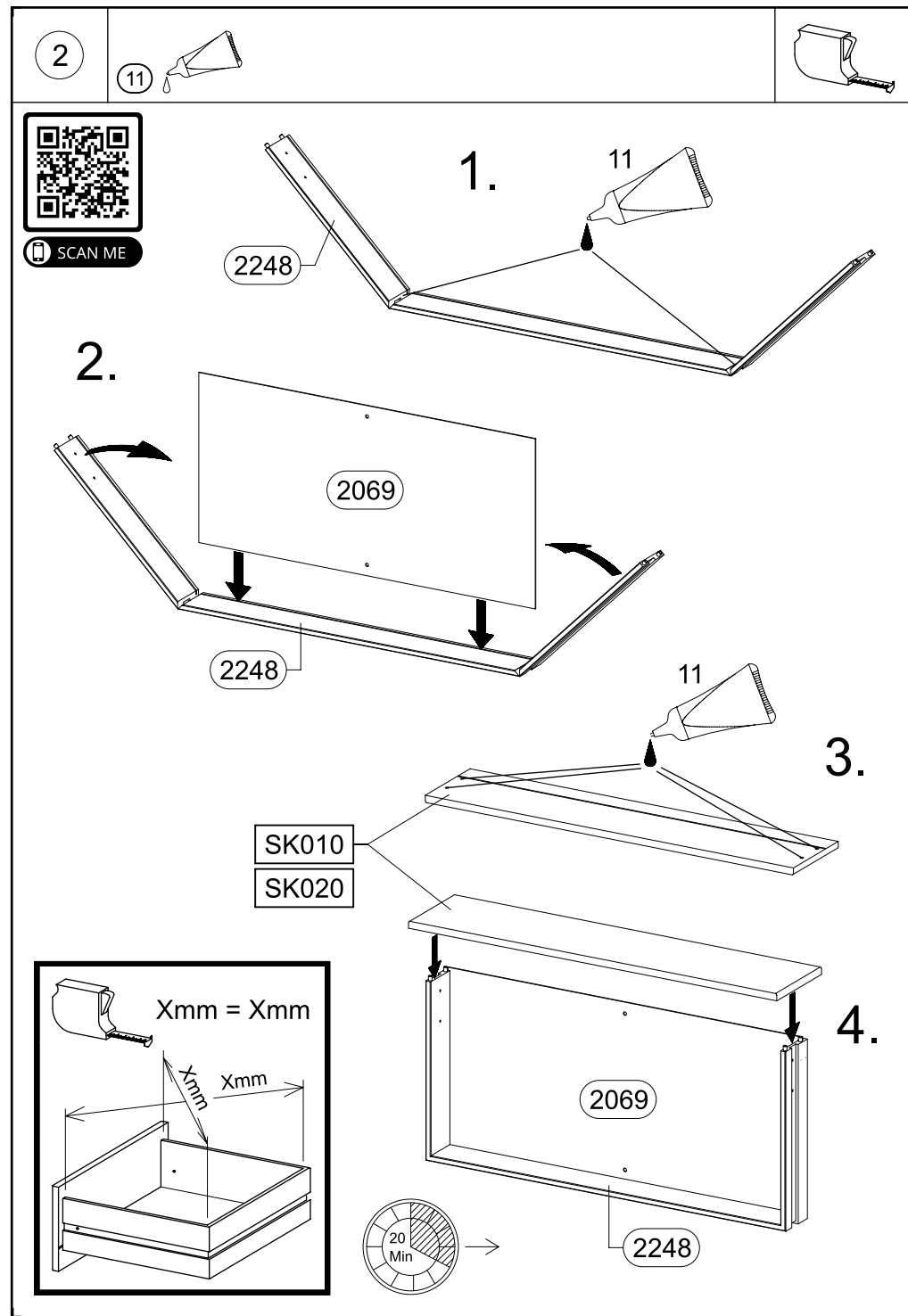
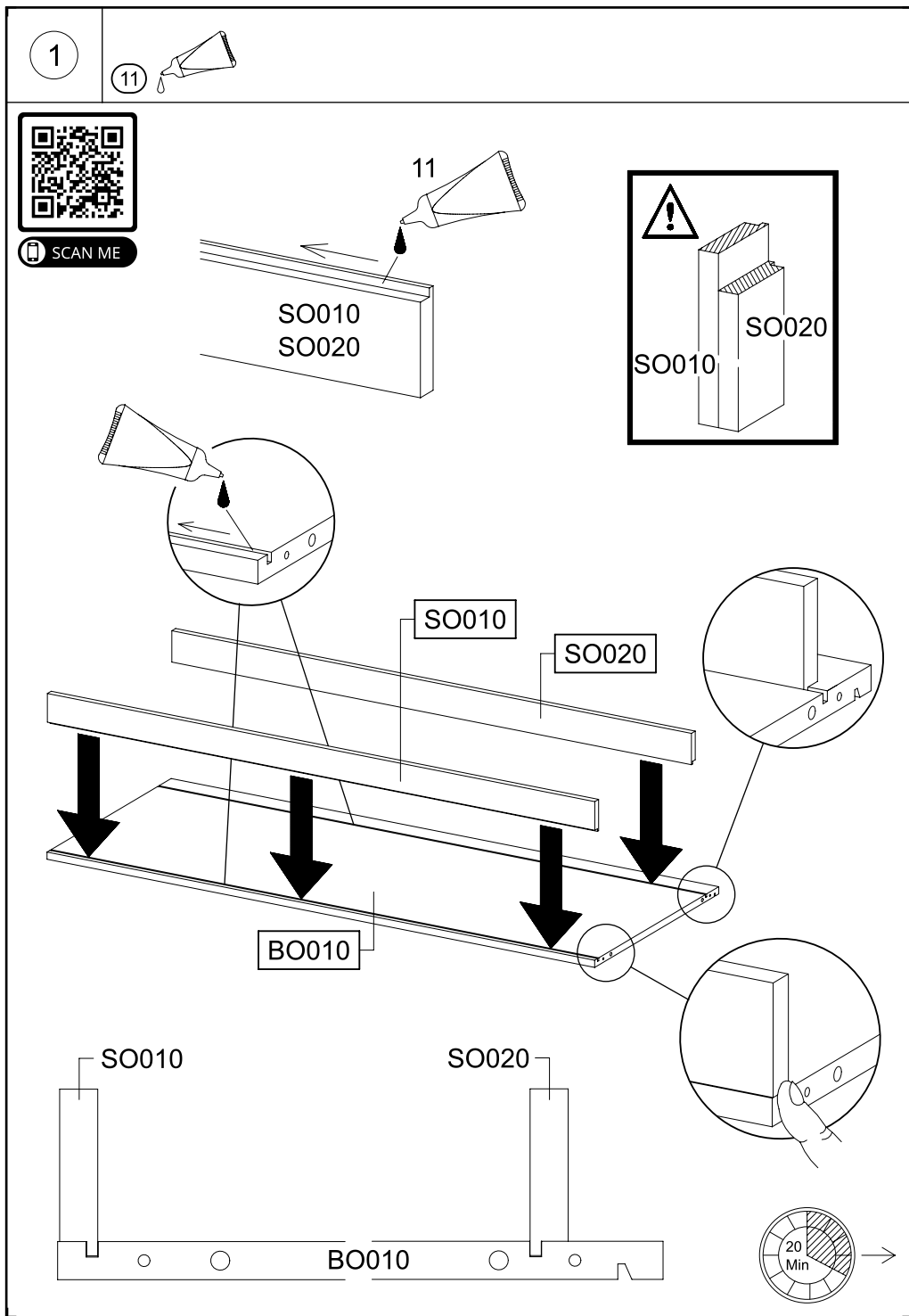
M3186_01

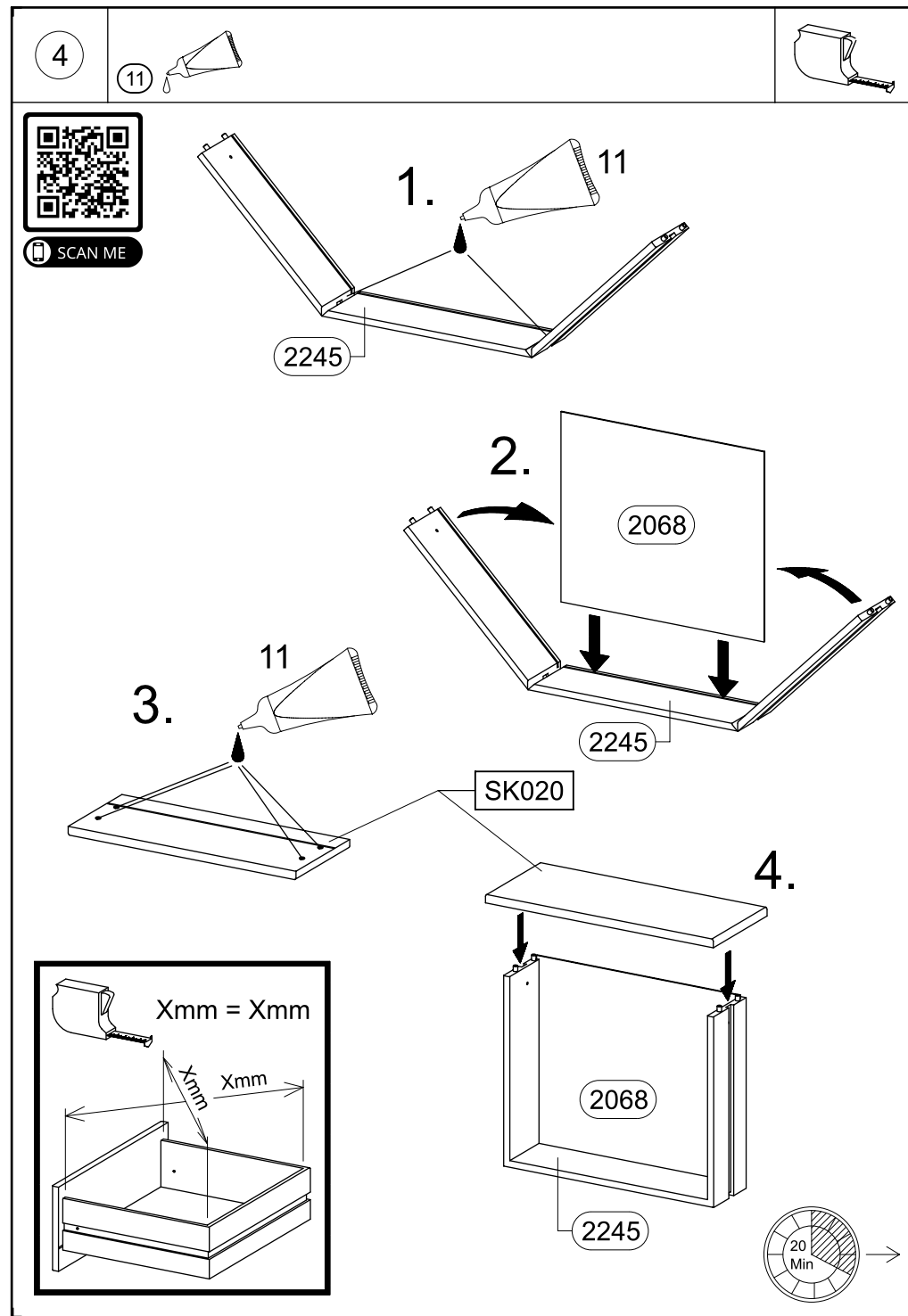
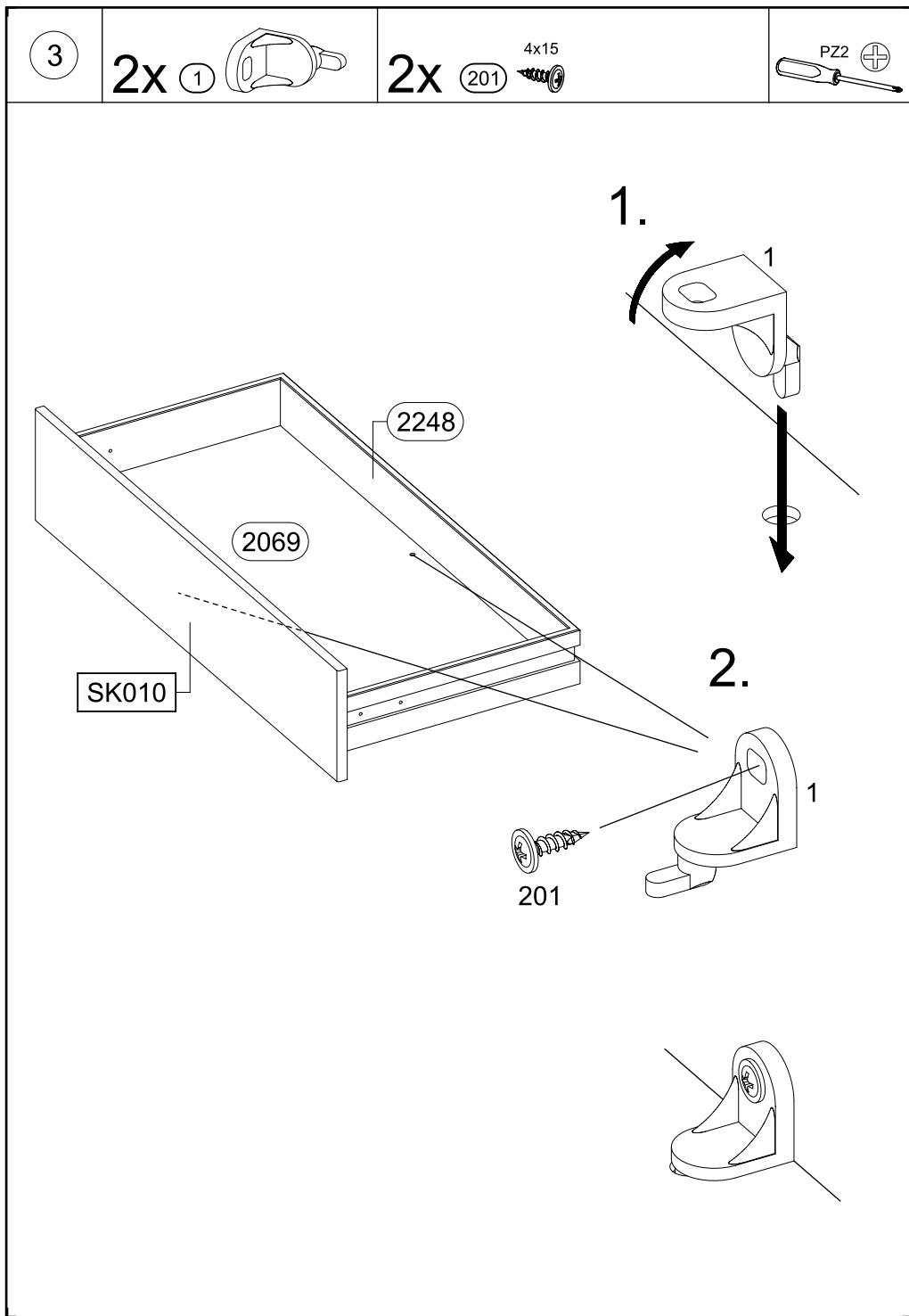




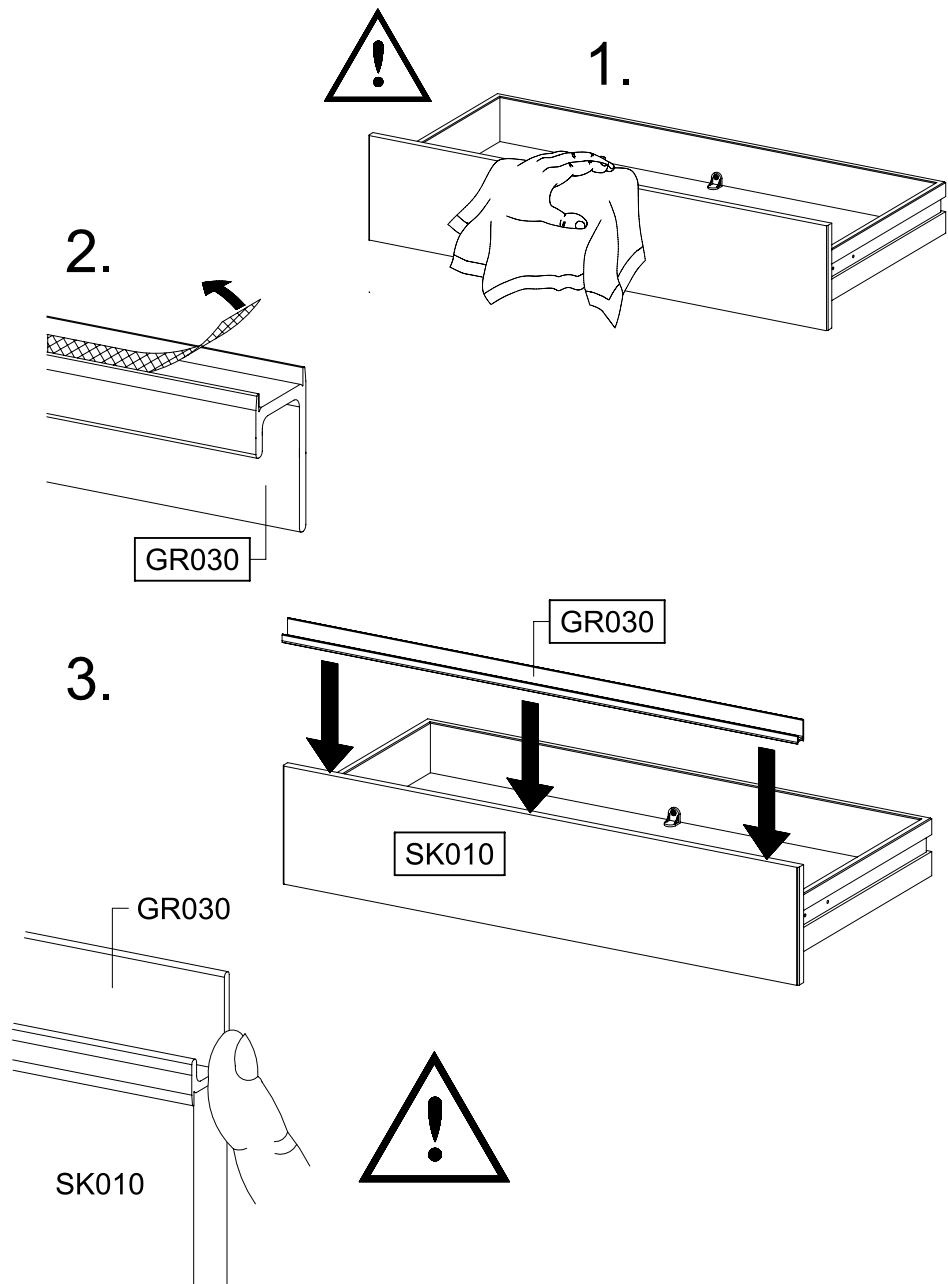
<p>6x</p>  <p>1</p>	<p>11</p> 	<p>2x</p> <p>55x16x6,2</p> <p>12</p> 	
<p>8x</p> <p>8x30</p> <p>18</p> 	<p>12x</p>  <p>116</p>	<p>4x</p> <p>3,5x15</p> <p>205</p> 	
<p>8x</p> <p>6,3x50</p> <p>233</p> 	<p>4x</p> <p>4x15</p> <p>201</p> 	<p>8x</p> <p>274</p> 	
<p>8x</p> <p>5,0x7,0</p> <p>249</p> 	<p>1x</p> <p>4,5x50</p> <p>296</p> 	<p>8x</p> <p>6x8</p> <p>534</p> 	
<p>4x</p> <p>807</p> 	<p>2x</p> <p>342x27x10</p> <p>1396</p> 		
<p>4x</p> <p>M4x9</p> <p>568</p> 	<p>10x</p> <p>6,5x12</p> <p>779</p> 	<p>3x</p> <p>1331</p> 	
<p>1x</p> <p>77x22x15</p> <p>68</p> 		<p>1x</p> <p>RE010</p> 	
			

<p>2x</p> <p>328x17x9,5</p> <p>251</p> 



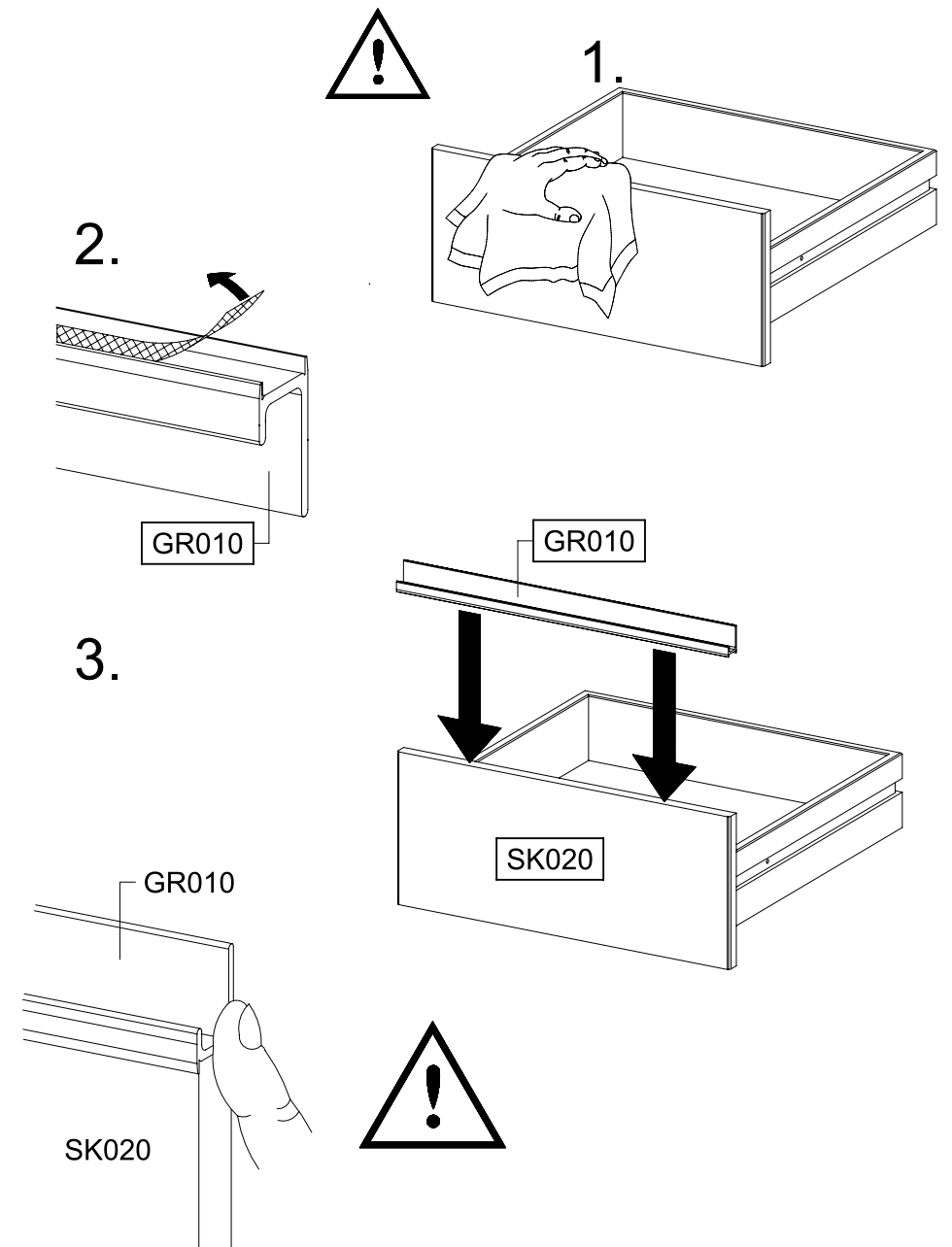


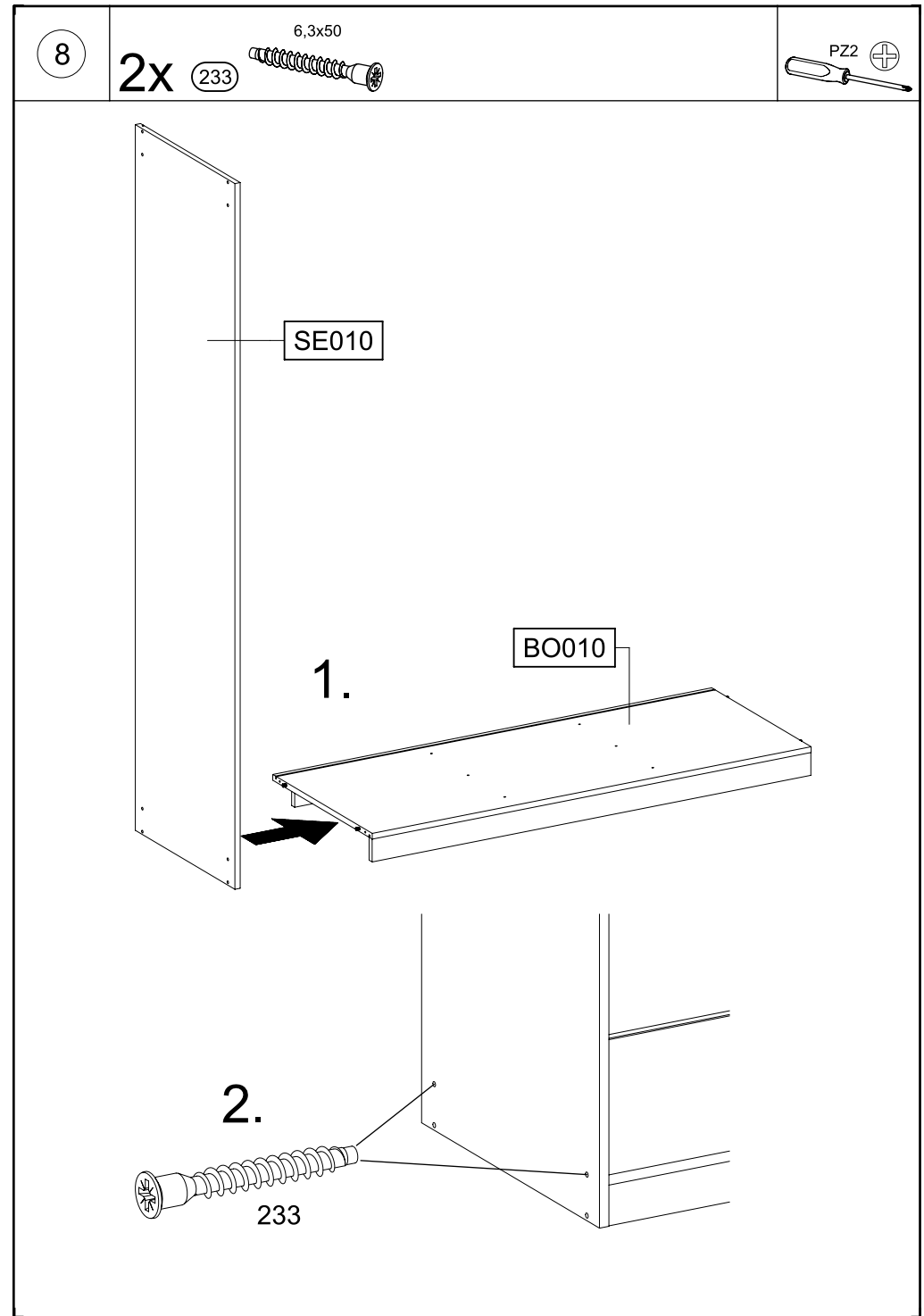
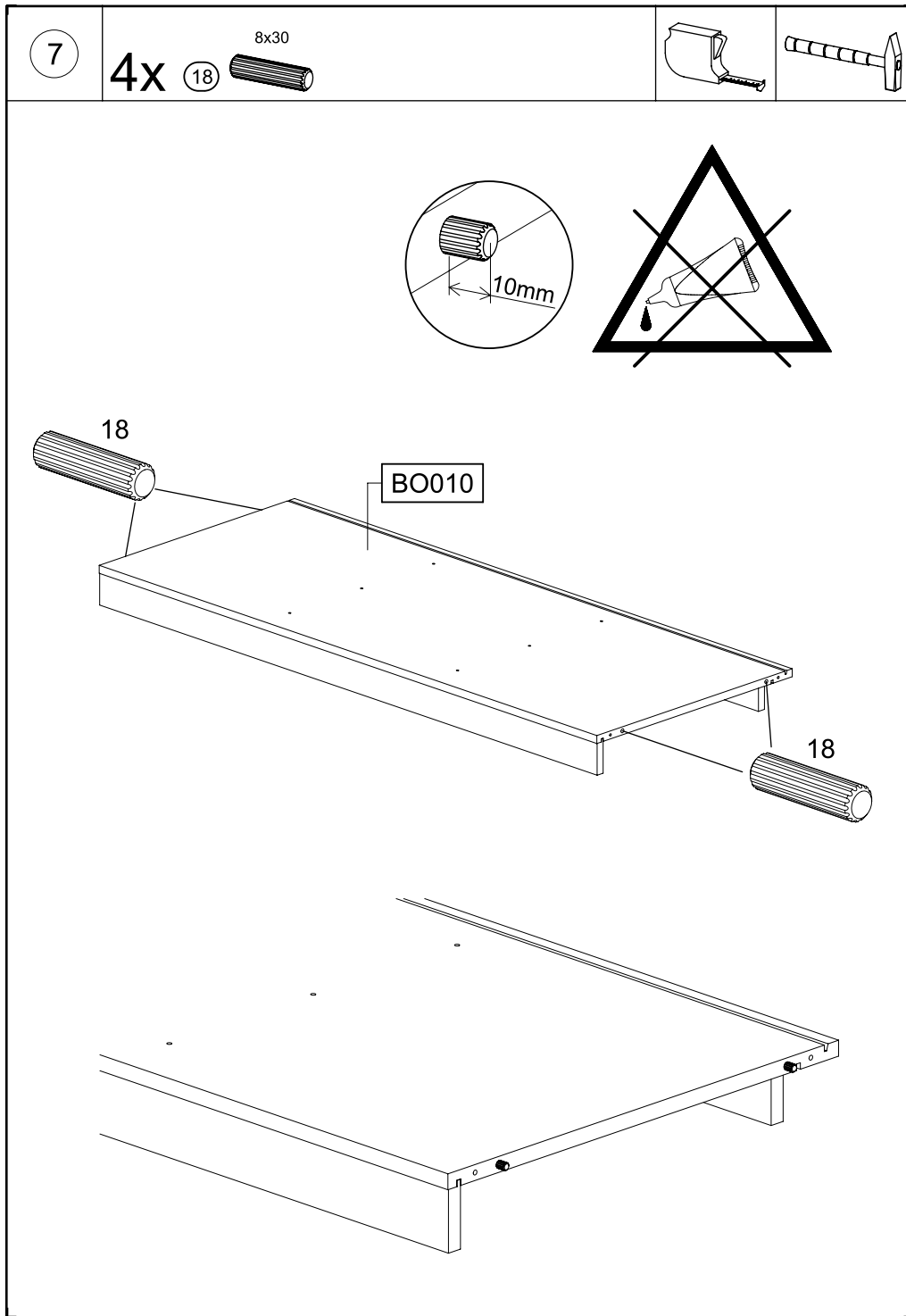


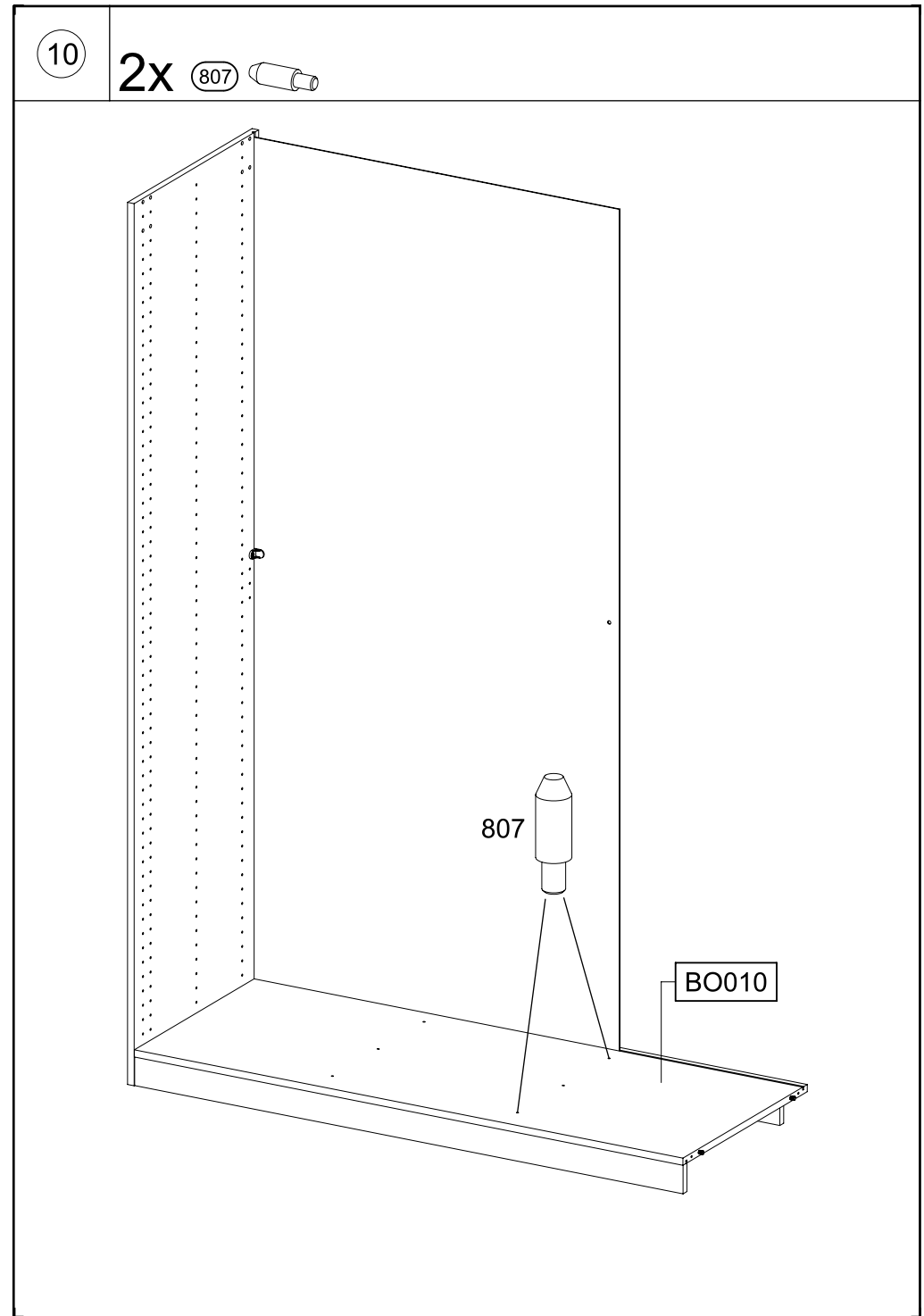
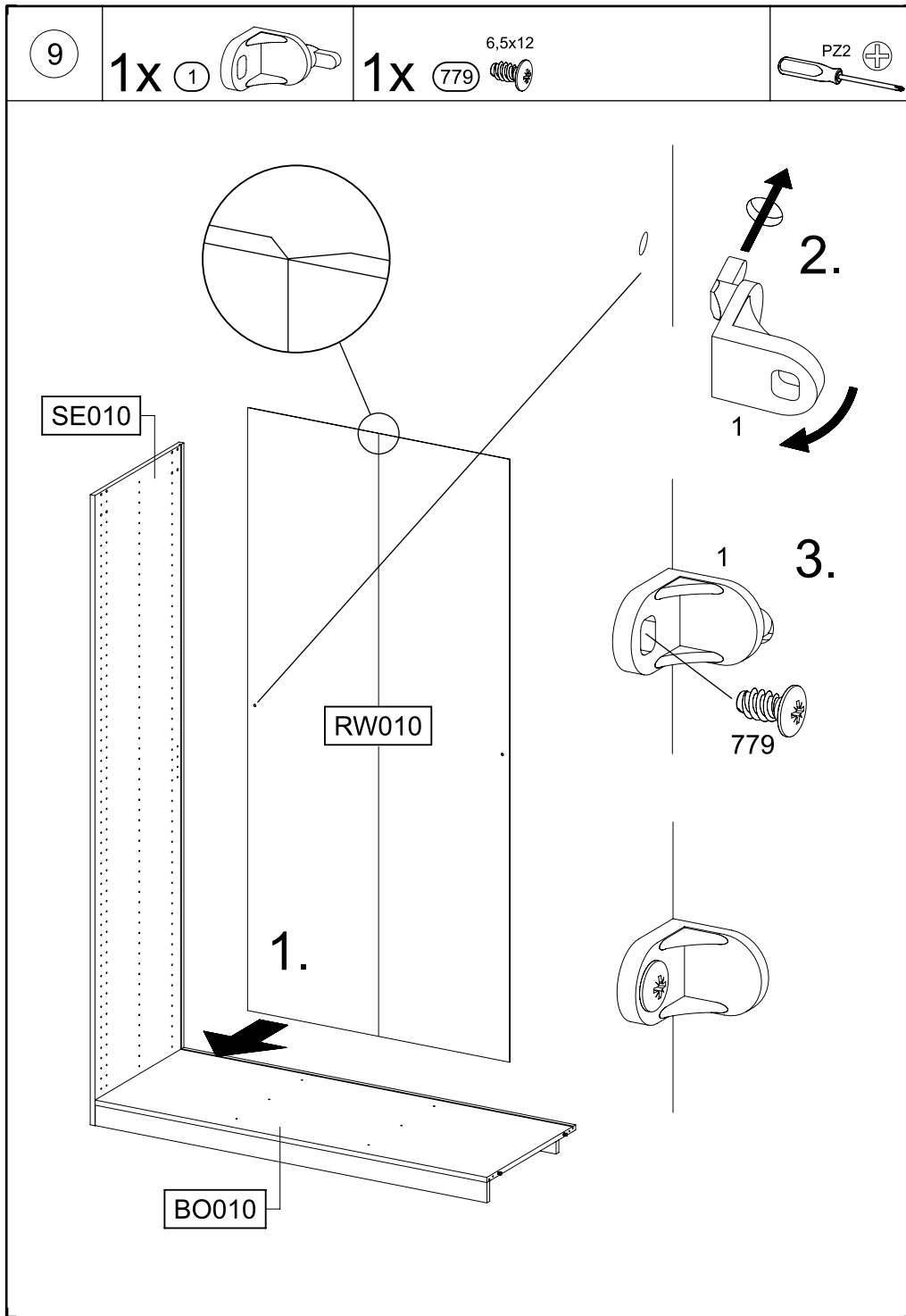
5

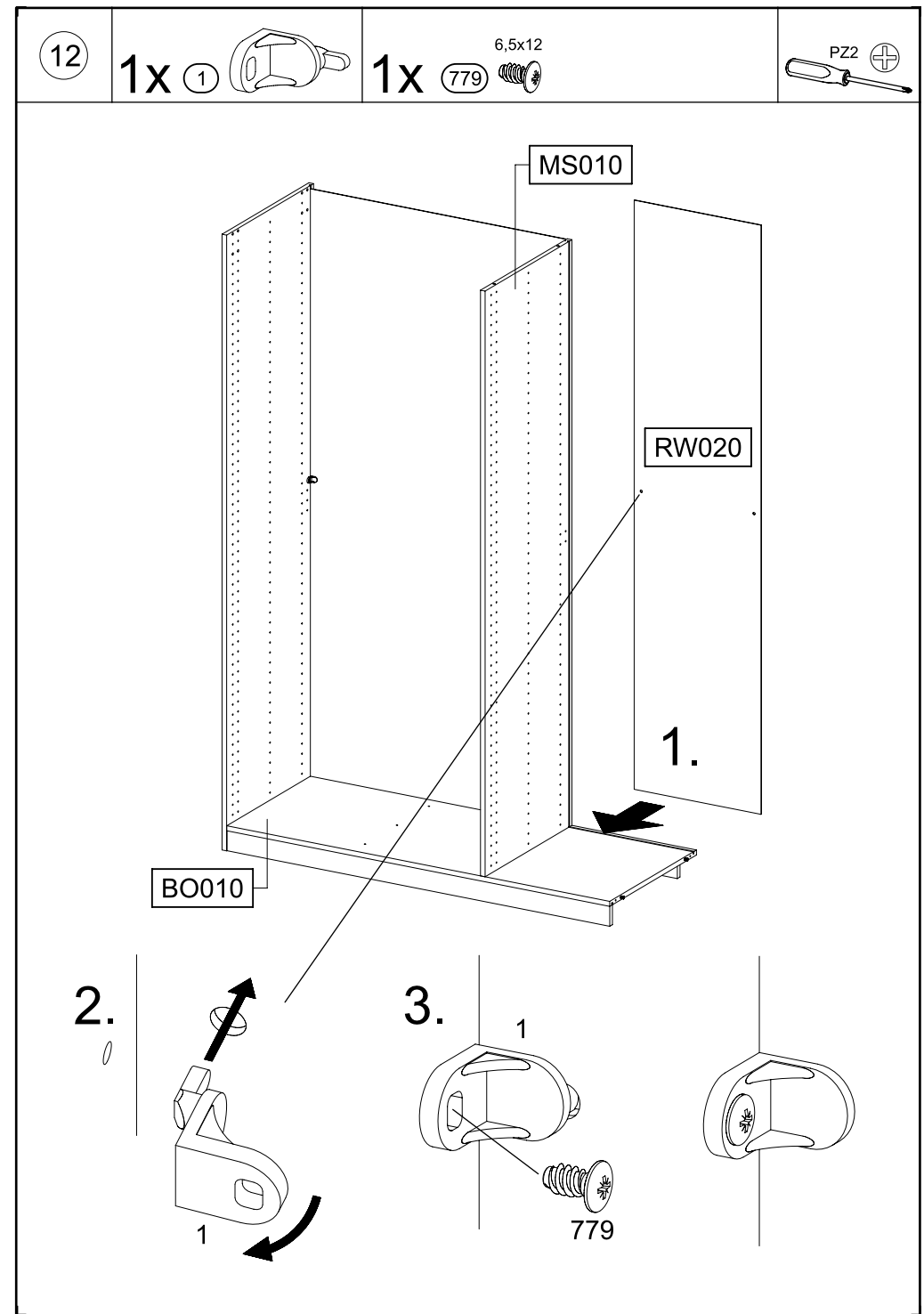
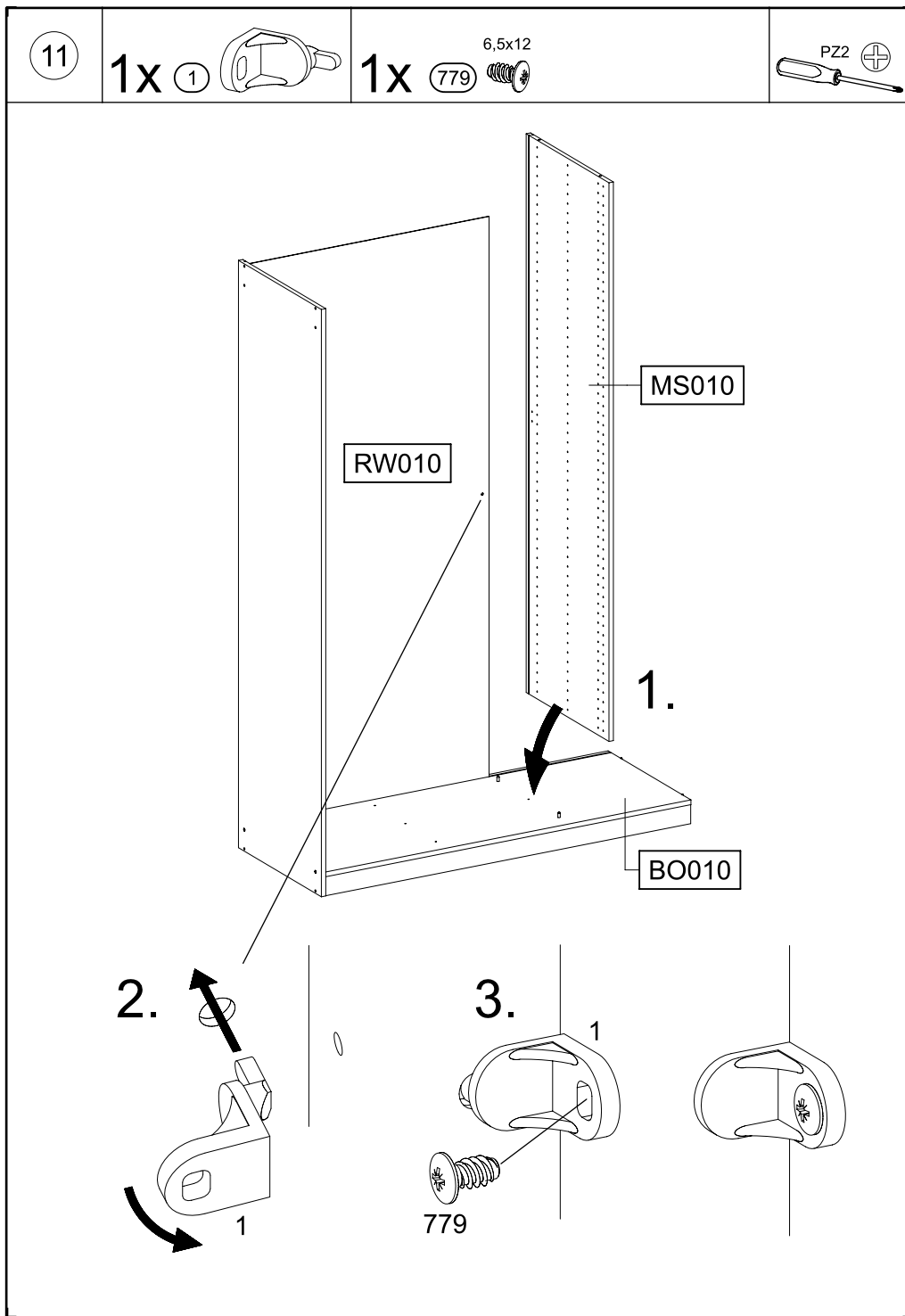


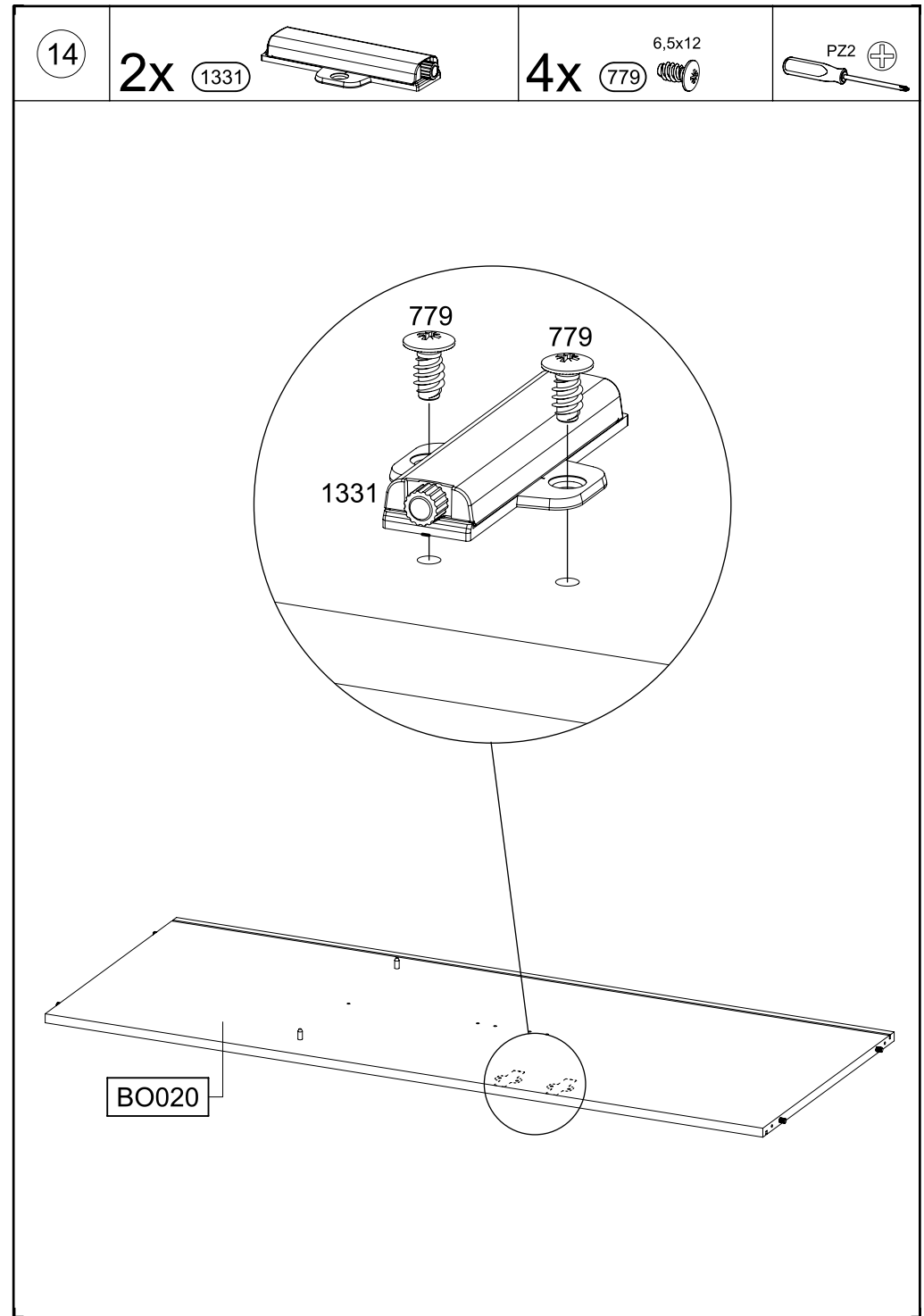
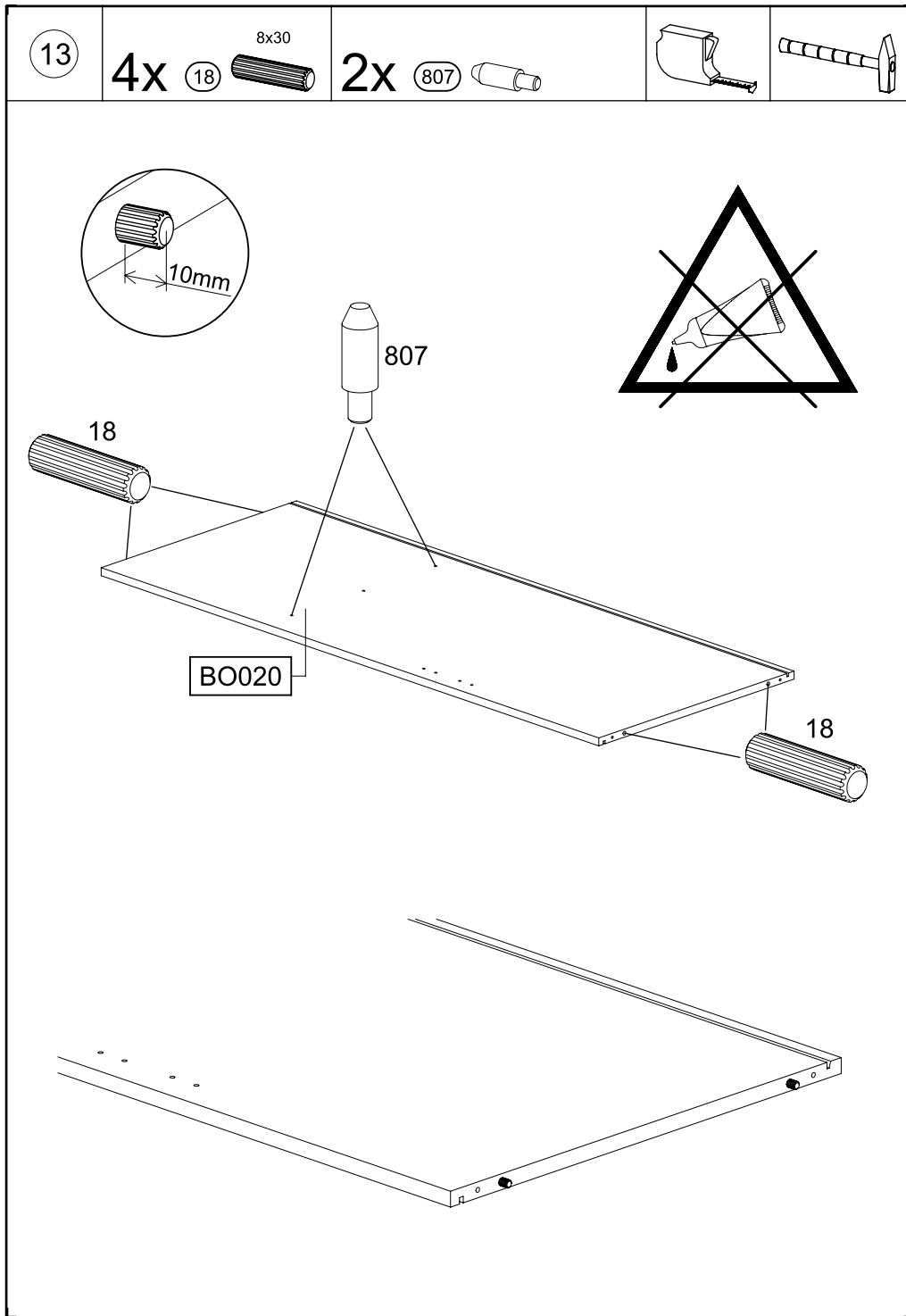
6



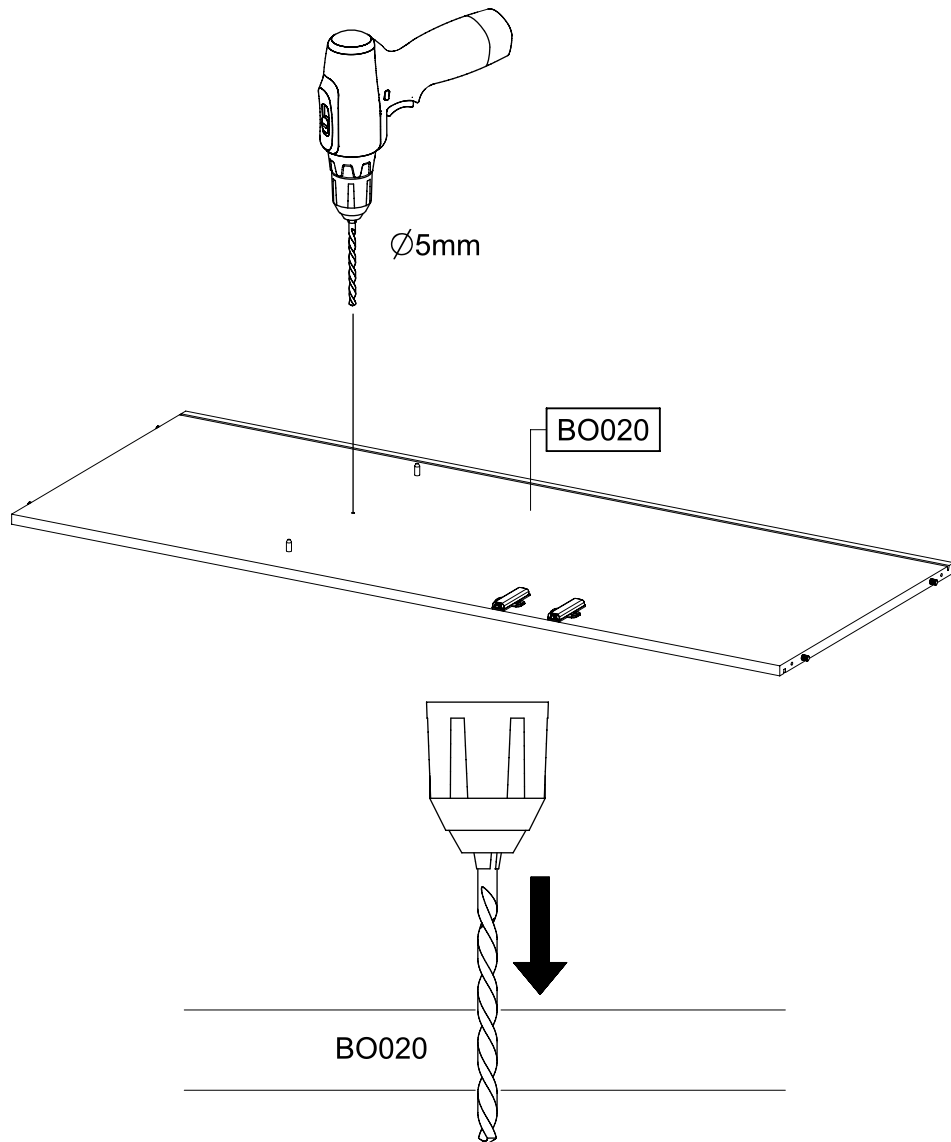
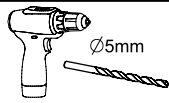






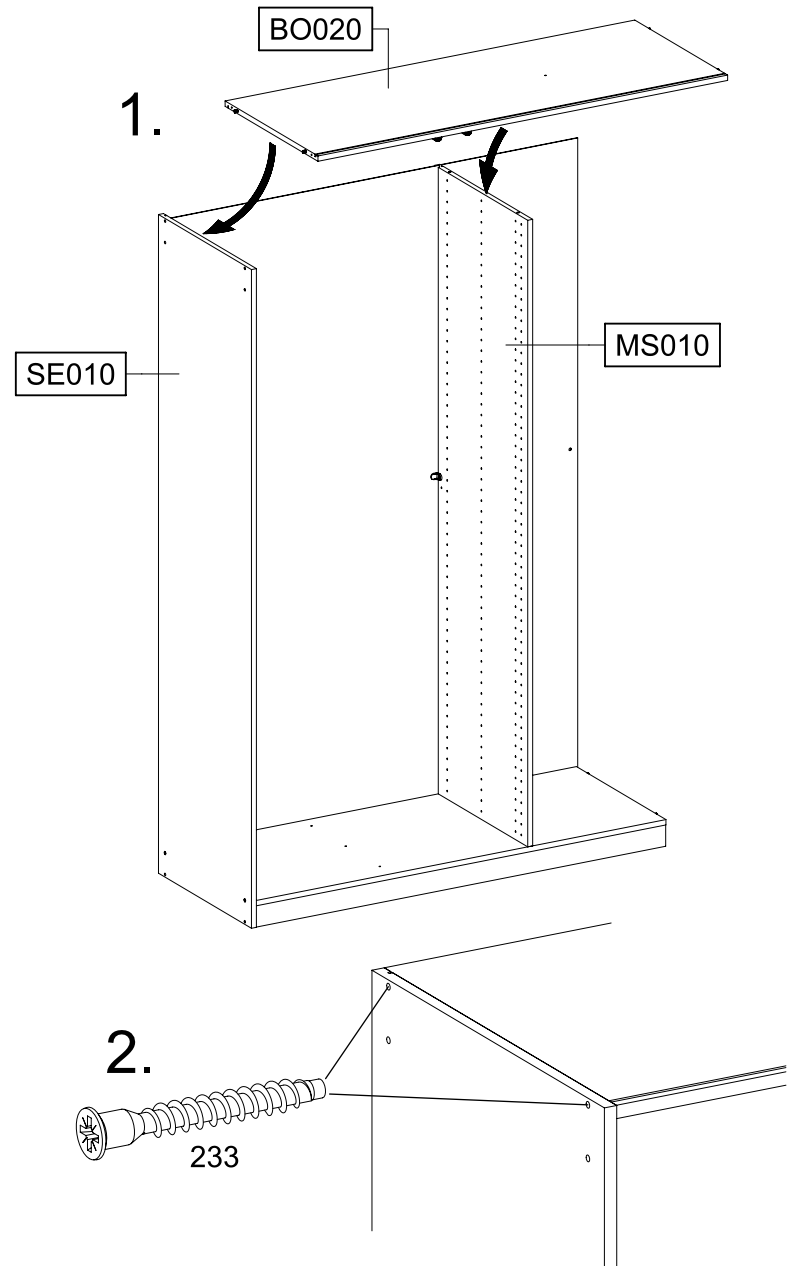
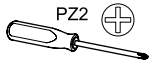
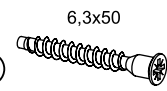


15



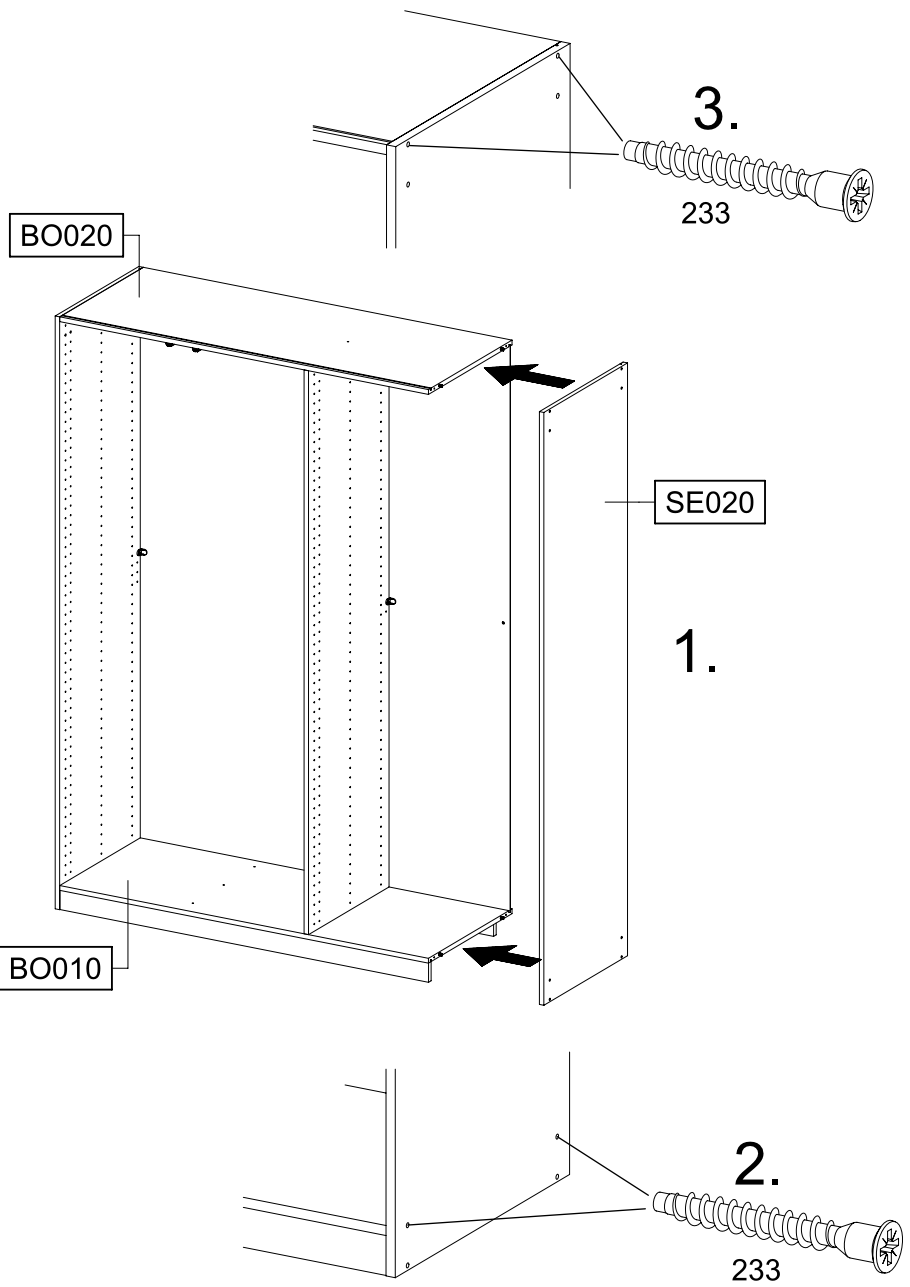
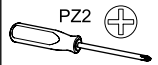
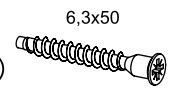
16

2x 233



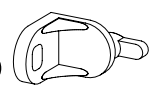
17

4x 233



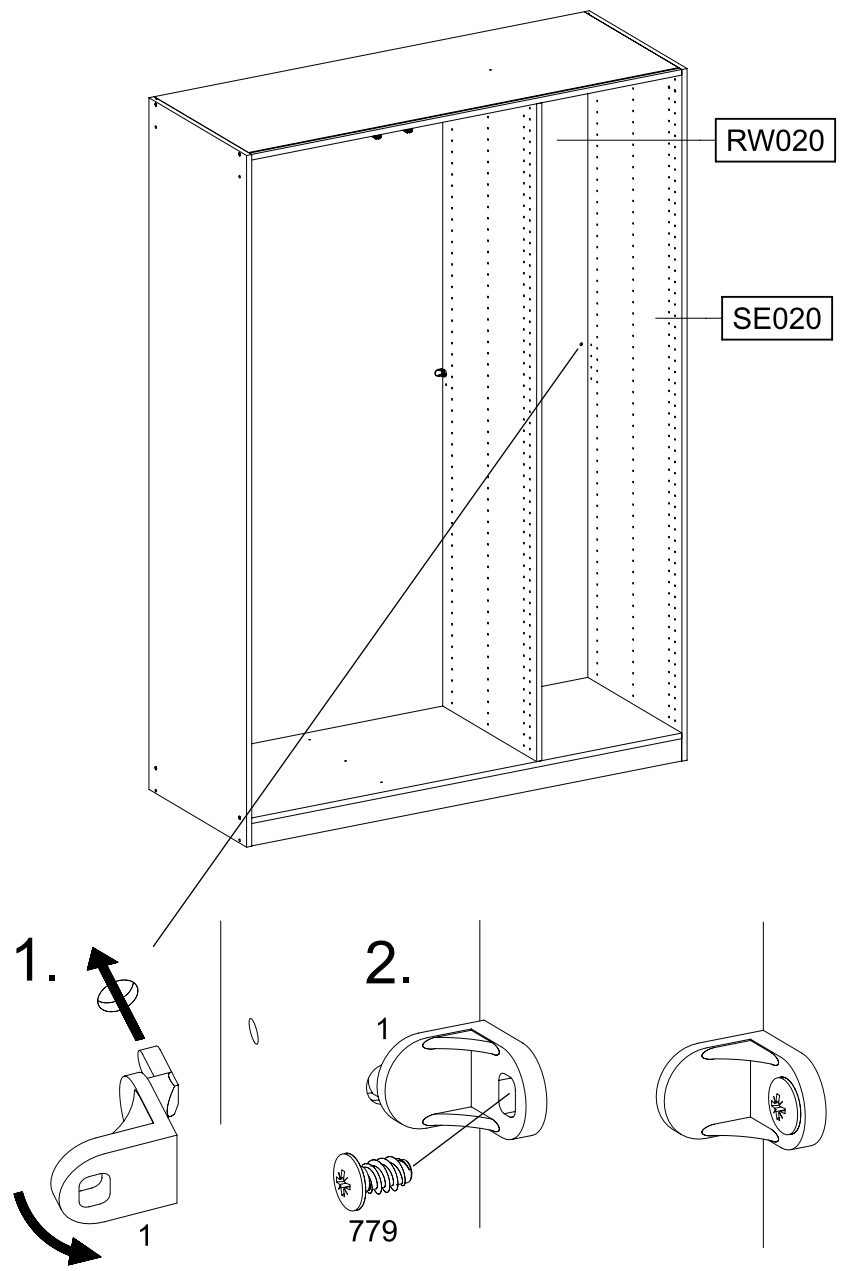
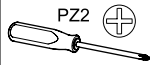
18

1x 1



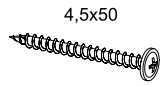
1x 779

6,5x12

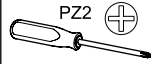


19

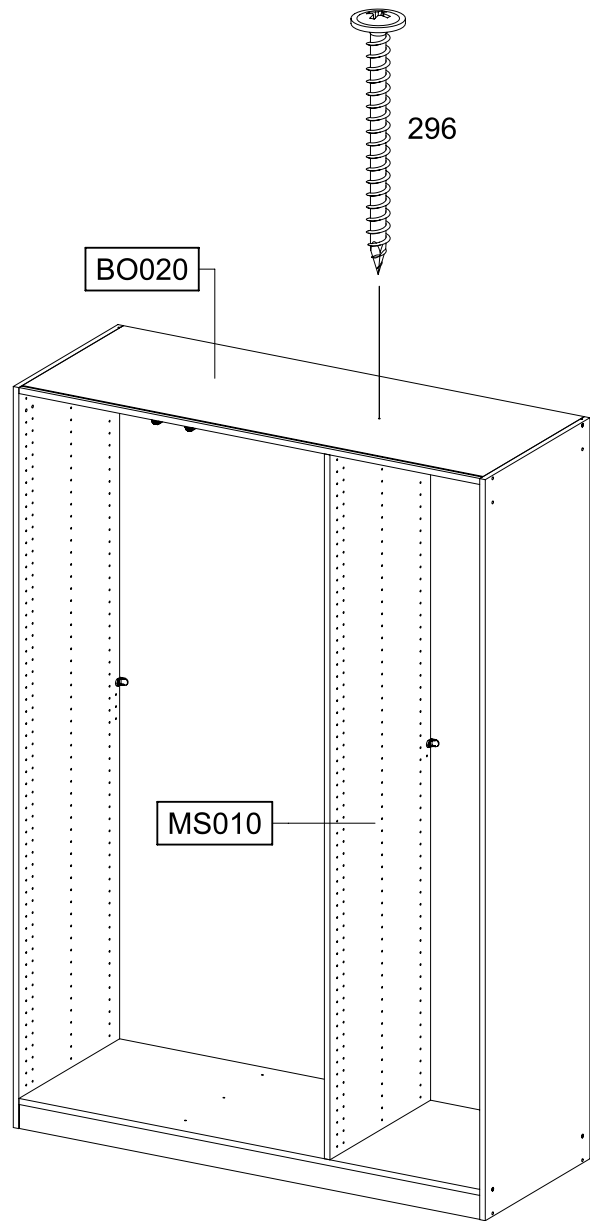
1x (296)



4,5x50



PZ2



296

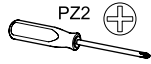
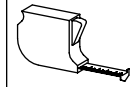
BO020

MS010

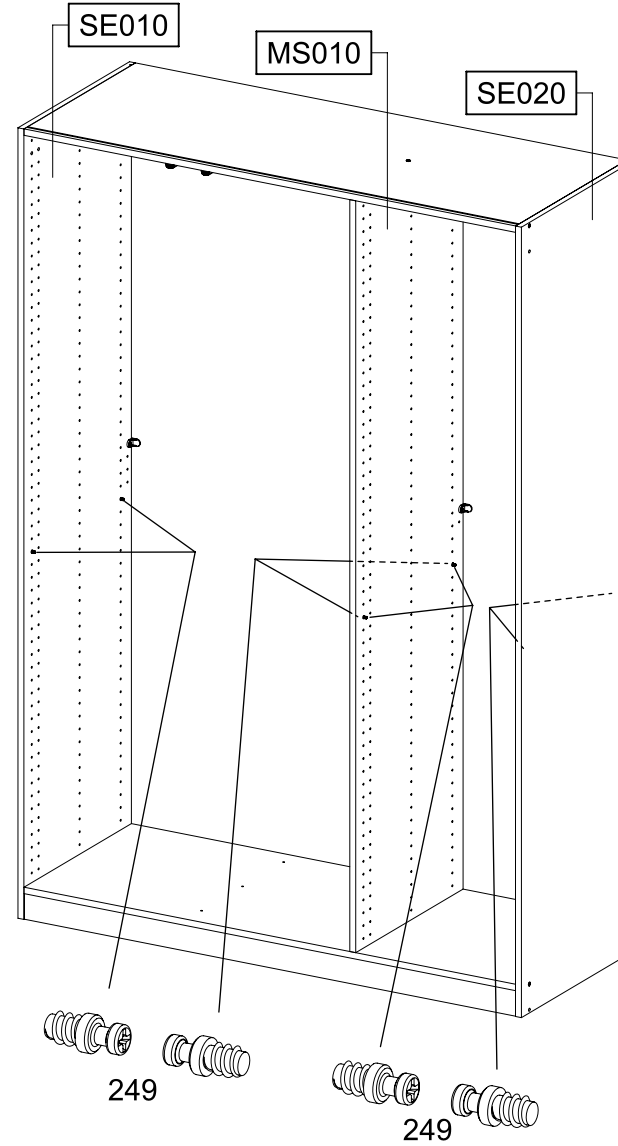
20

8x (249)

5,0x7,0



PZ2



SE010

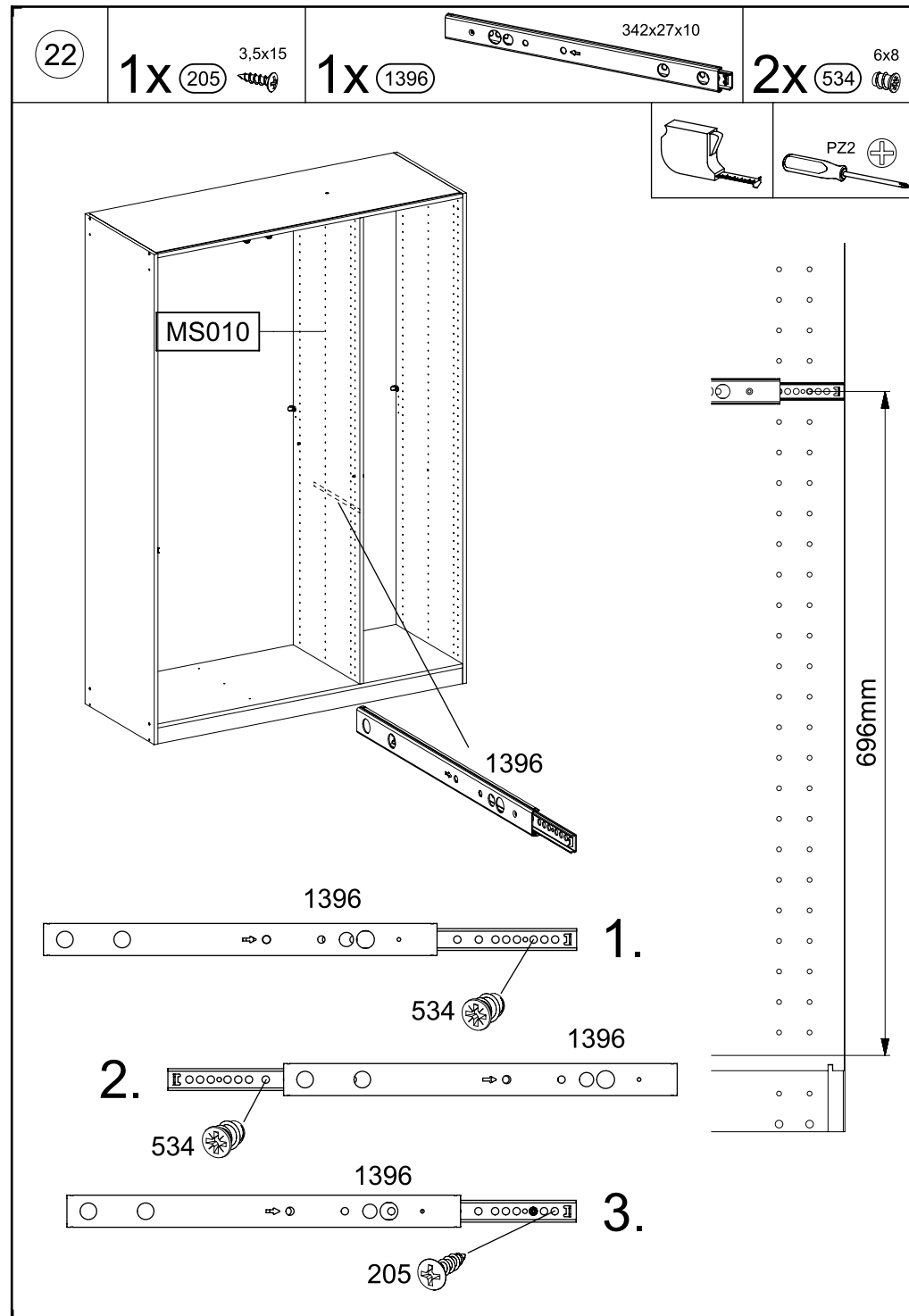
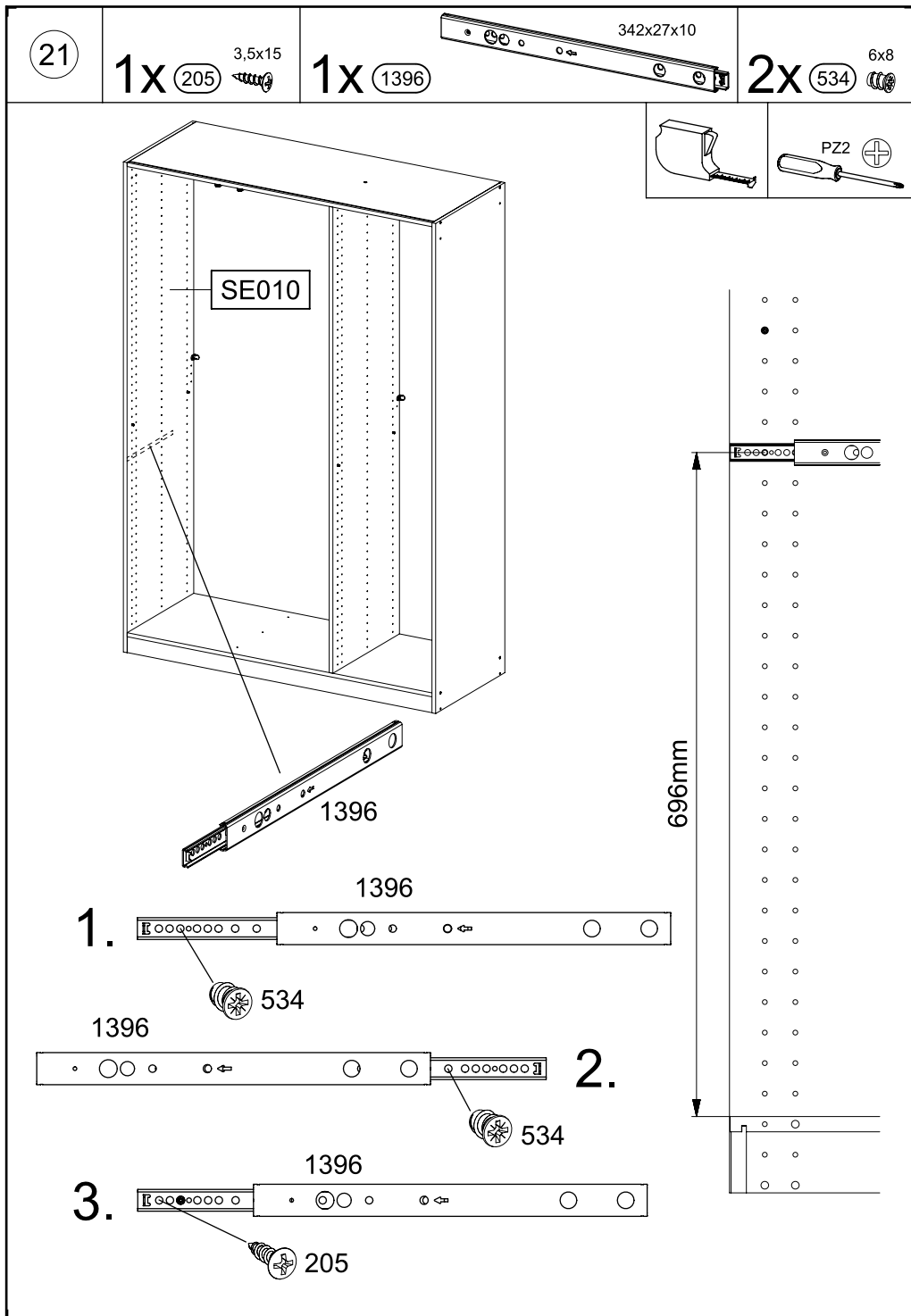
MS010

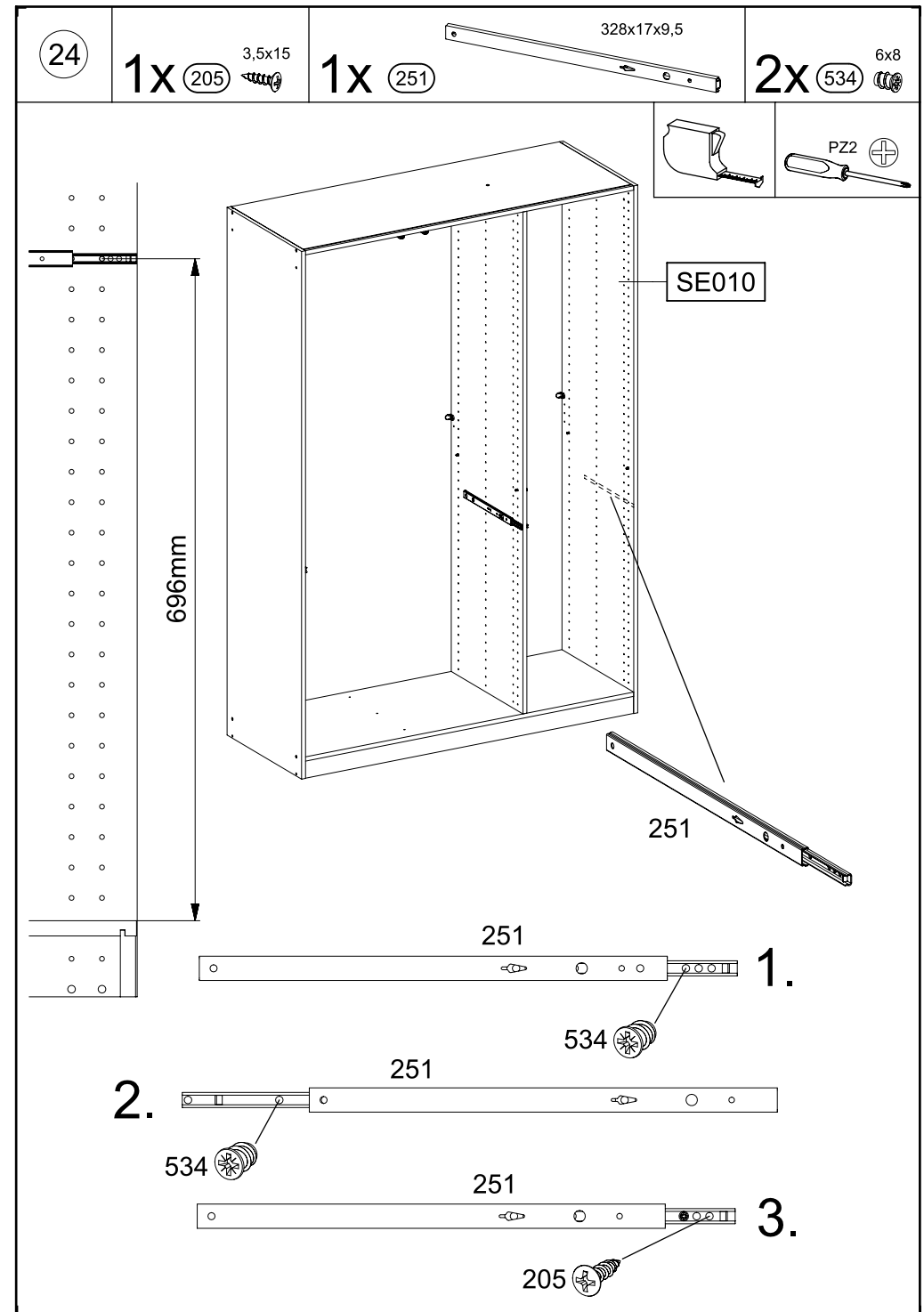
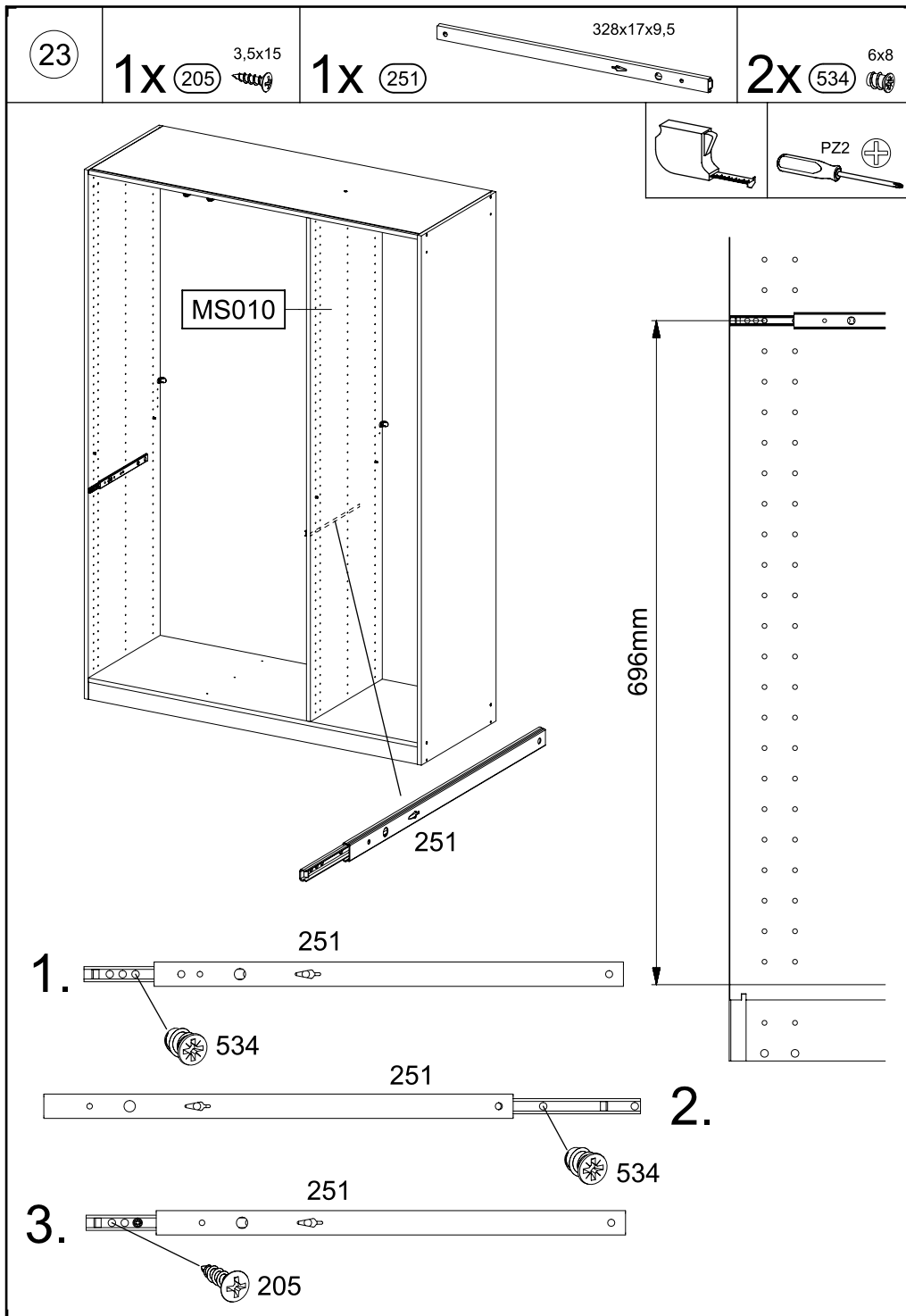
SE020

249

249

824mm

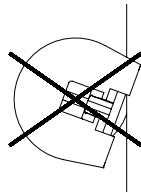
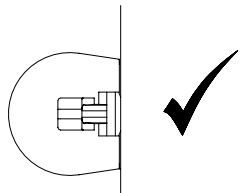
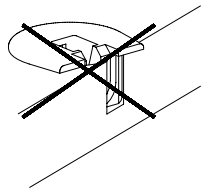
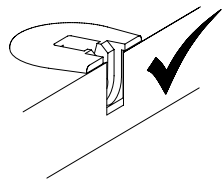
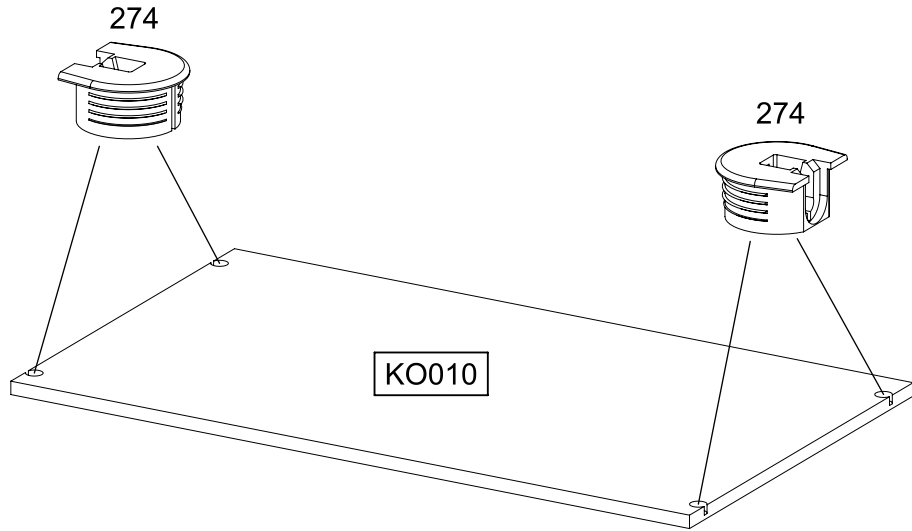
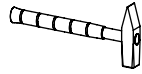




25

4x

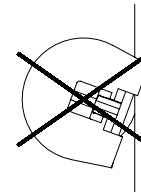
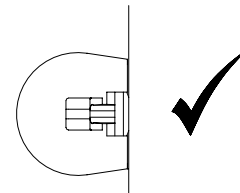
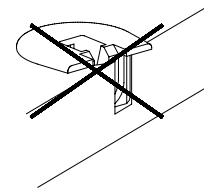
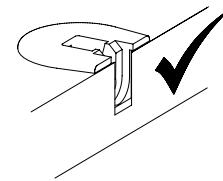
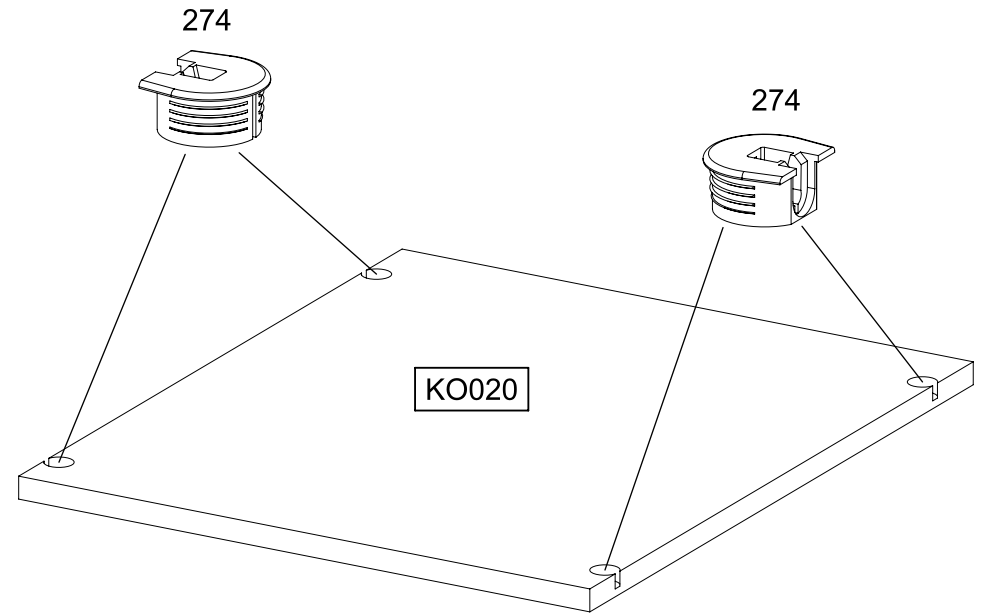
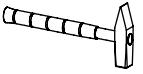
274



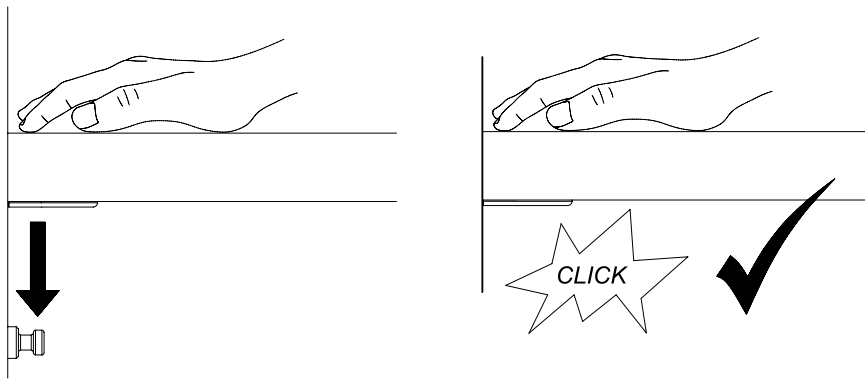
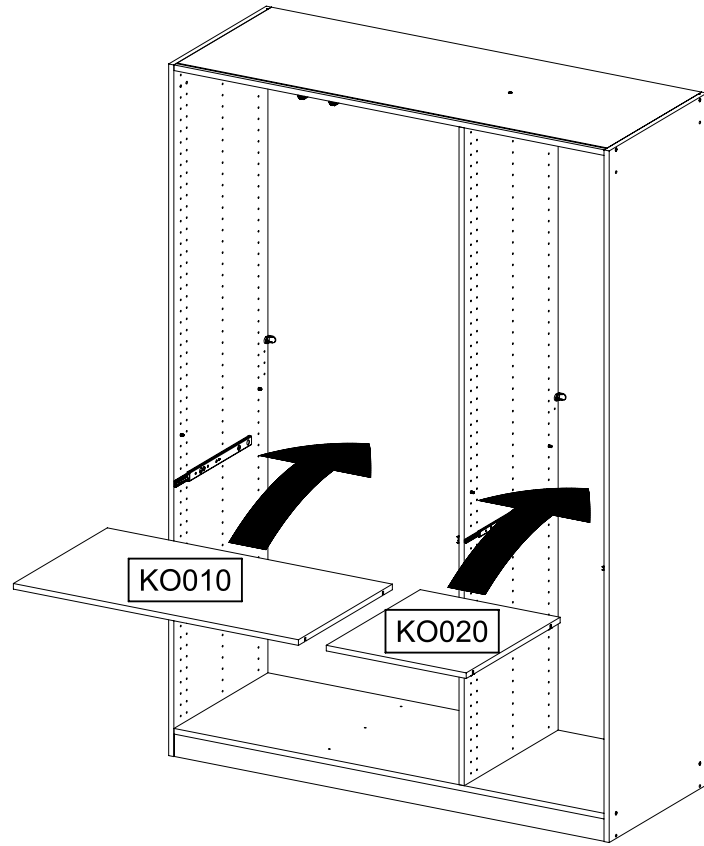
26

4x

274



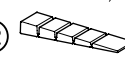
27



28

0-2x 12

55x16x6,2



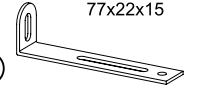
4x 201

4x15

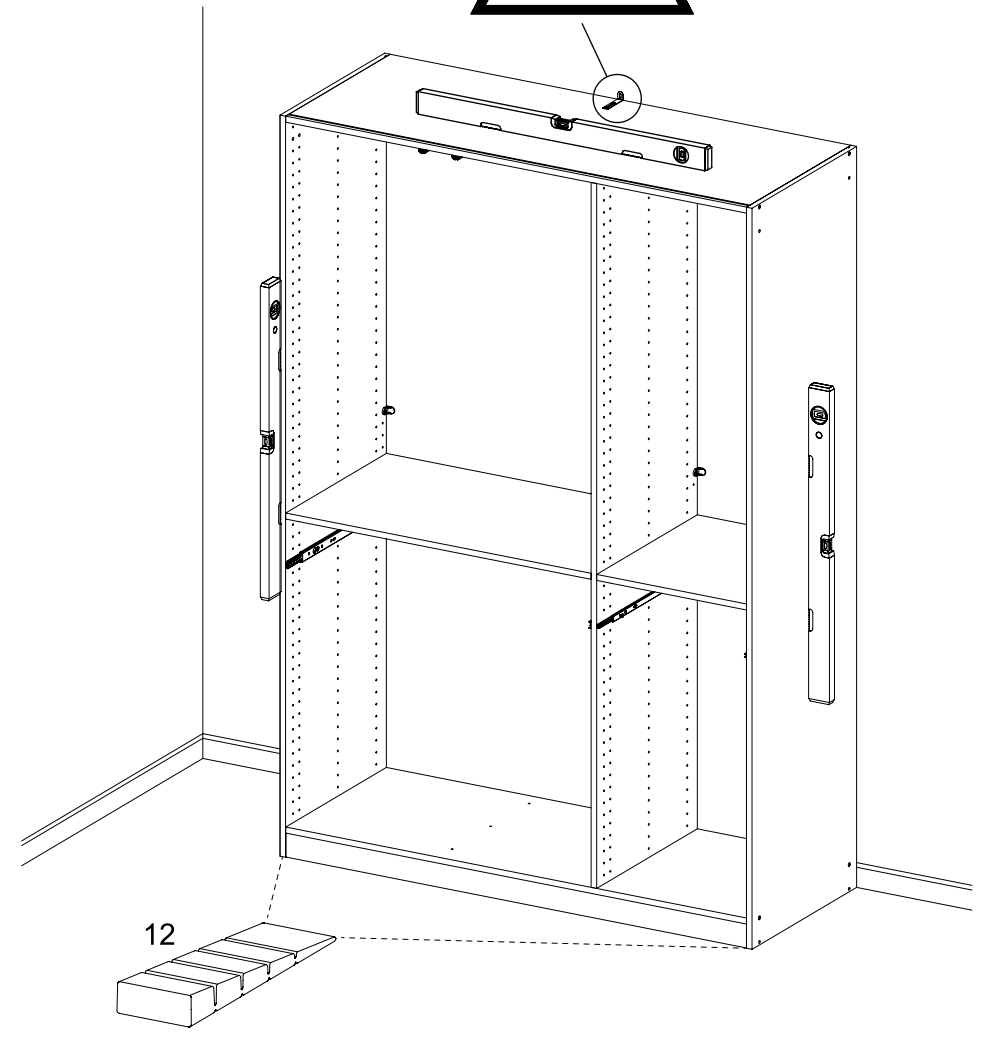
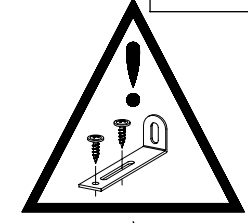
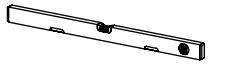
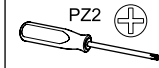


2x 68

77x22x15

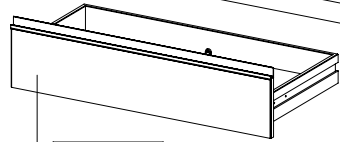
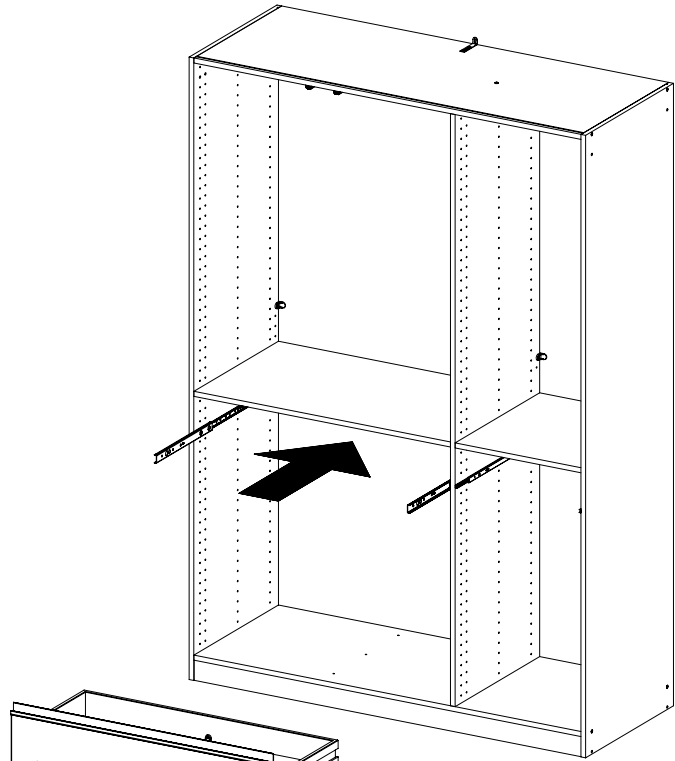
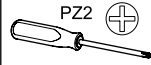


SCAN ME



29

2x 568 M4x9

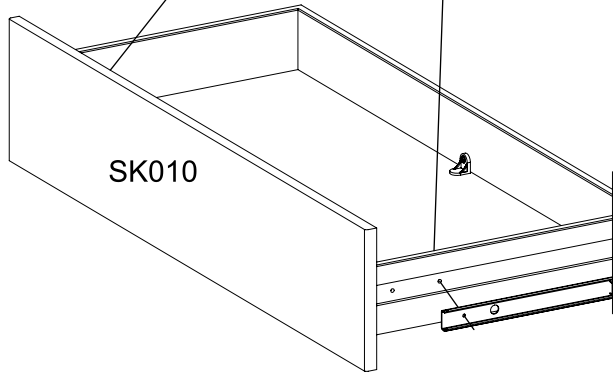


SK010

568



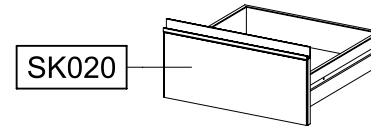
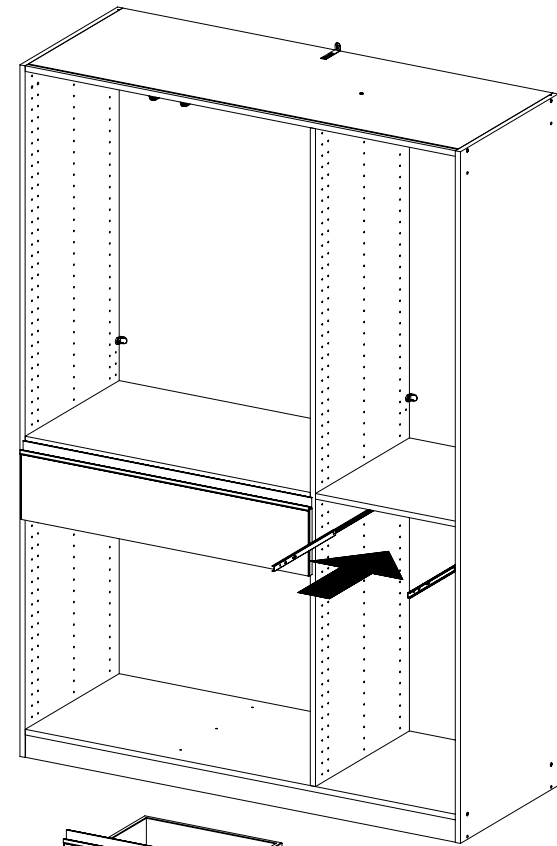
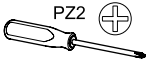
568



SK010

30

2x 568 M4x9

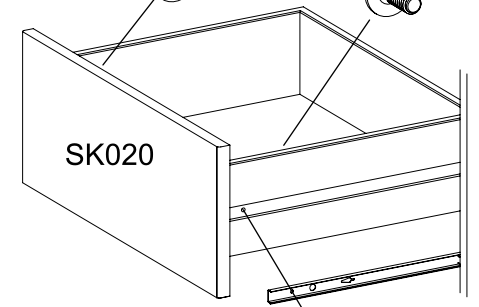


SK020

568



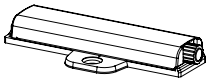
568



SK020

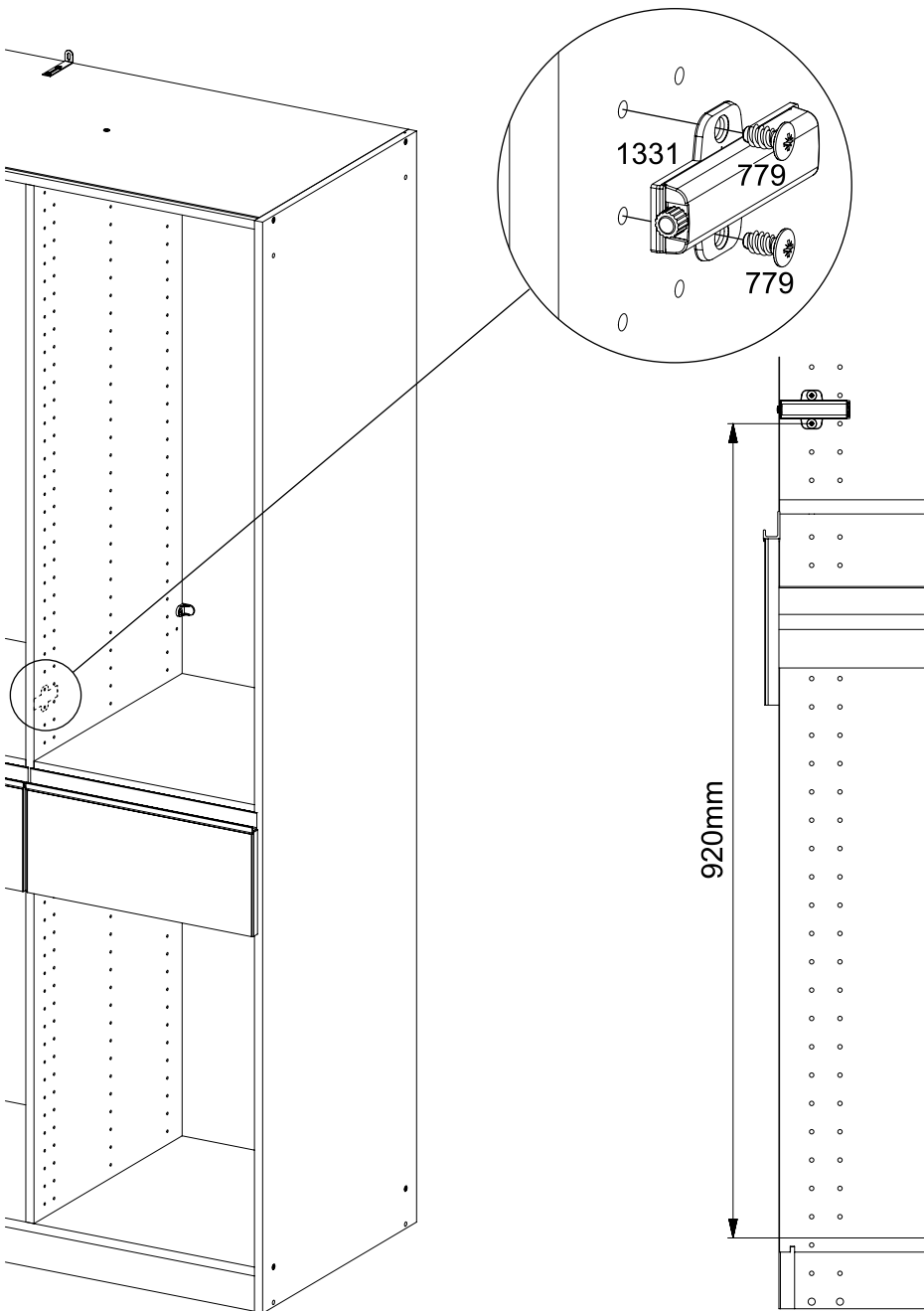
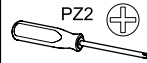
31

1x 1331



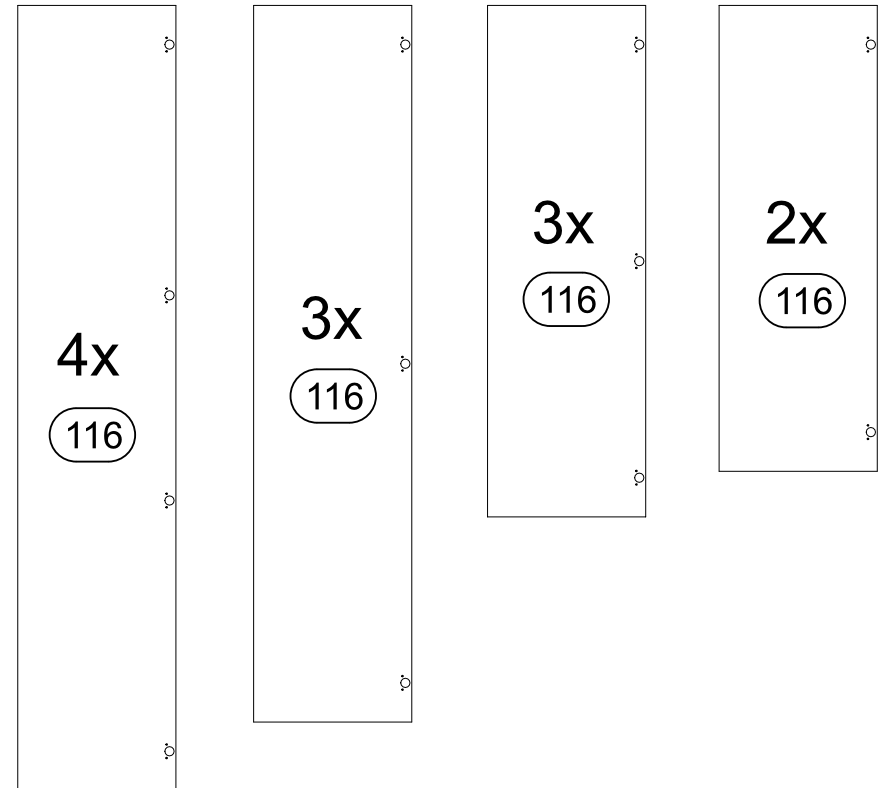
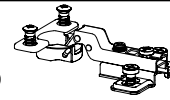
2x 779

6,5x12



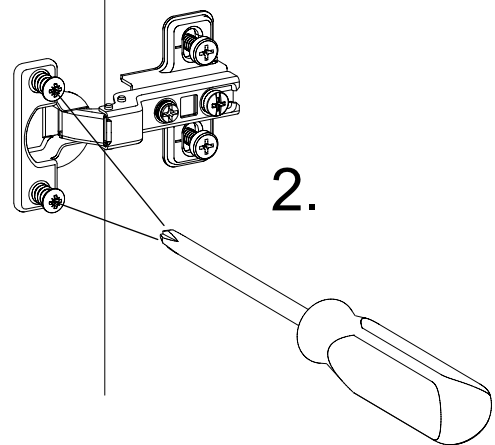
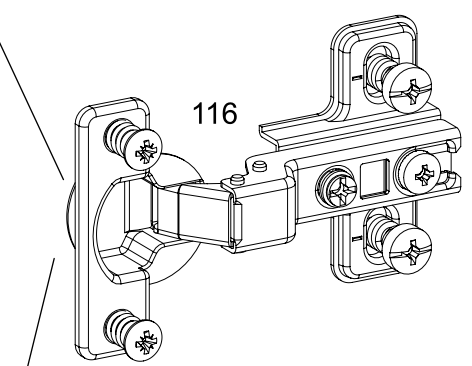
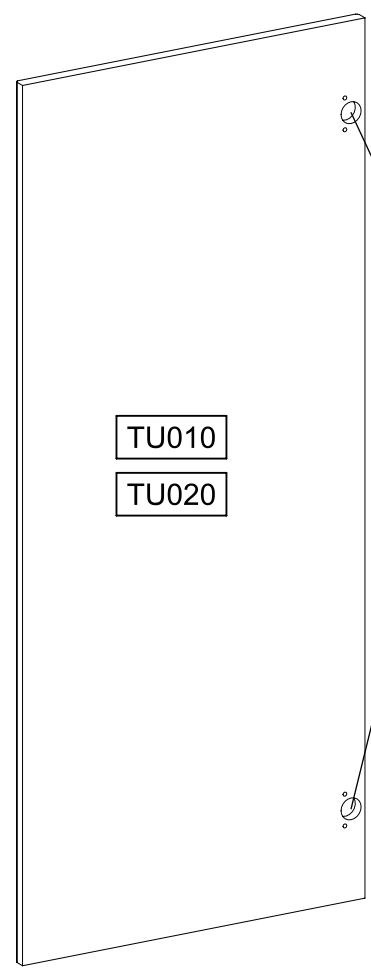
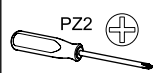
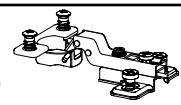
32

116

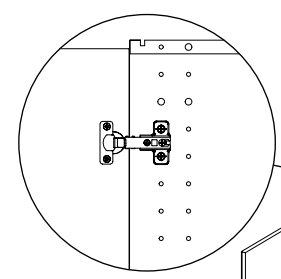
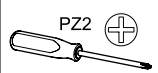


33

12x 116



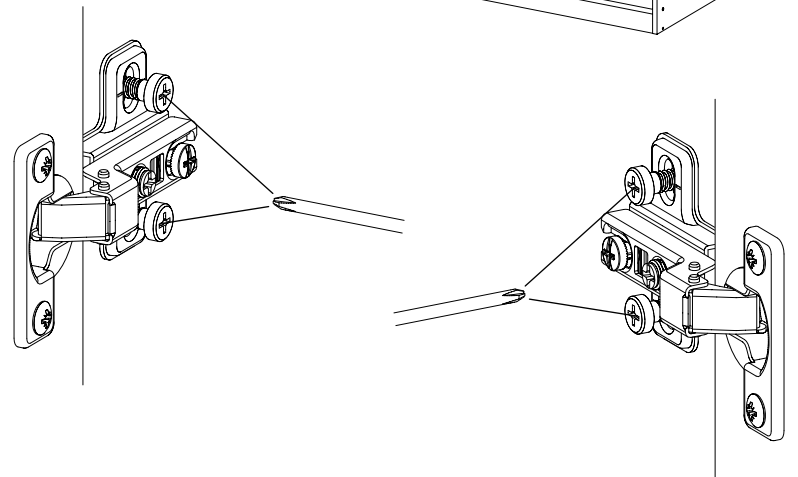
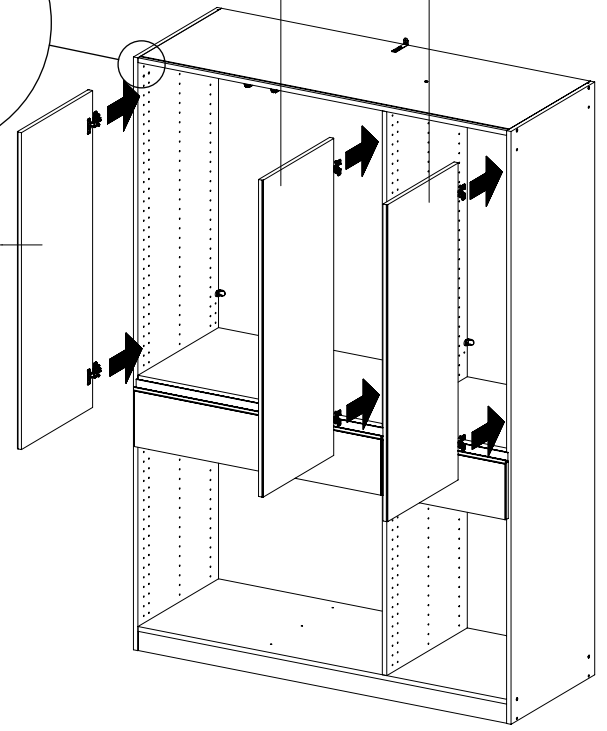
34



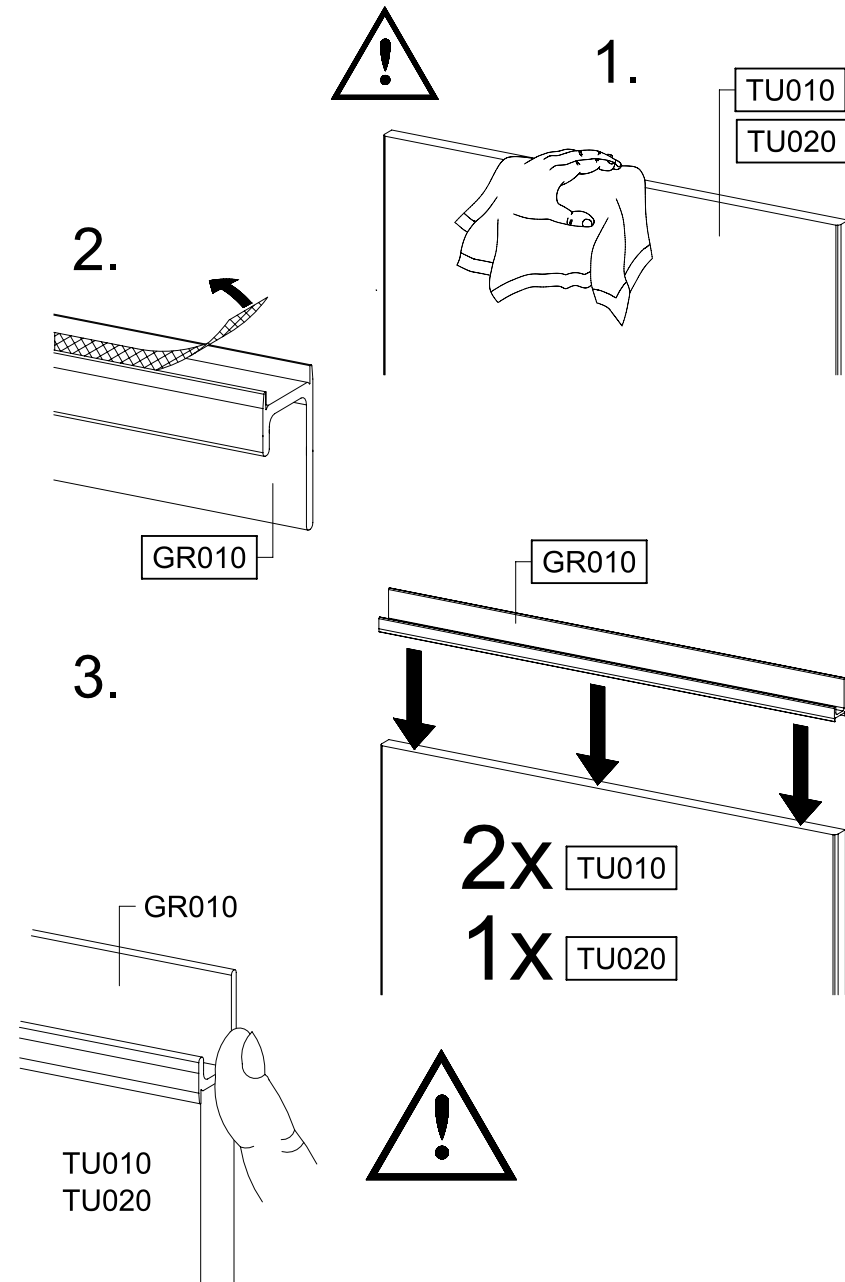
TU040

TU020

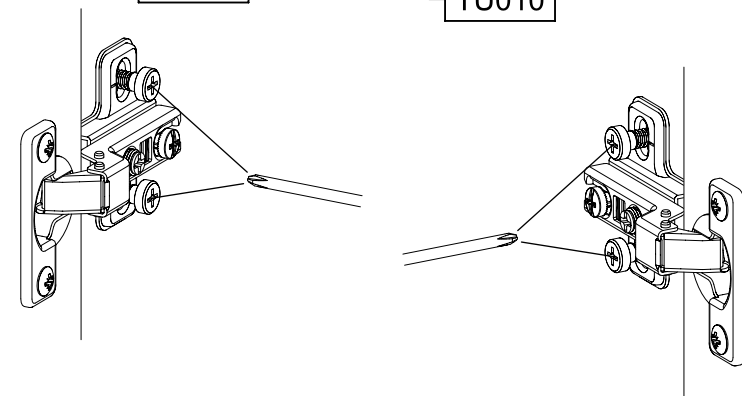
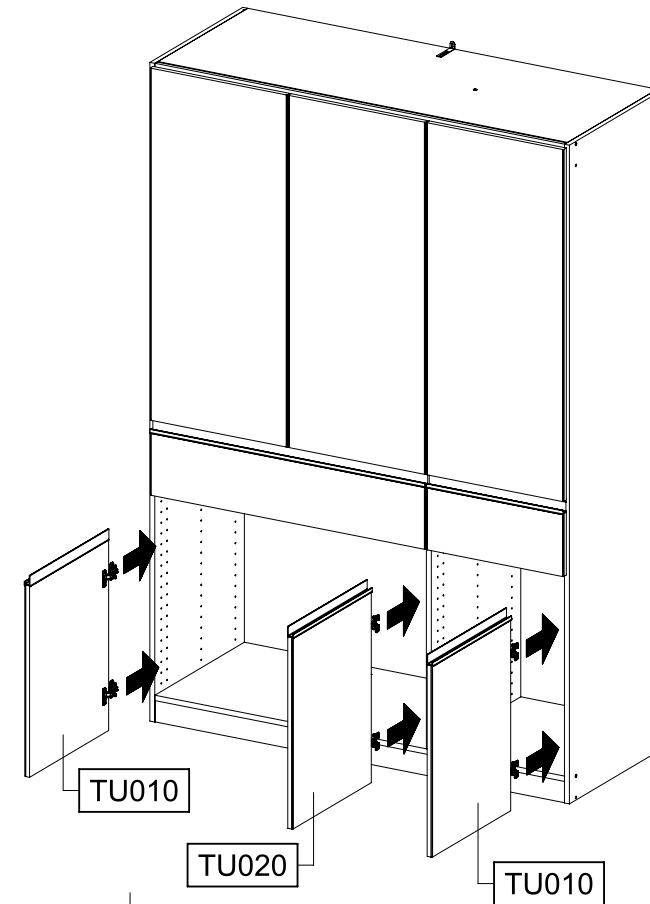
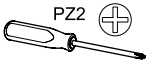
TU030



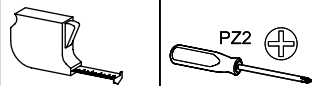
35



36



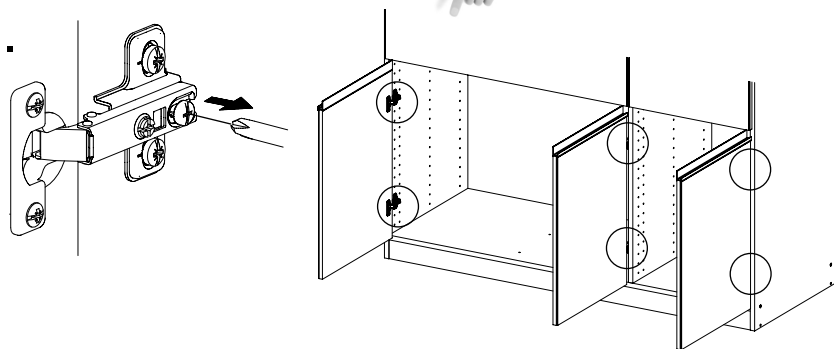
37



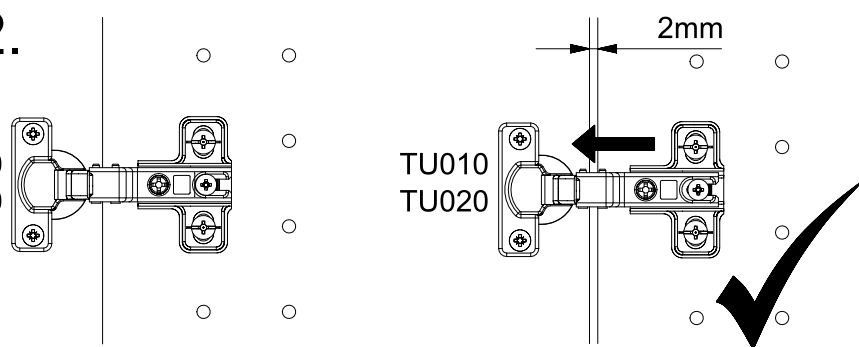
SCAN ME



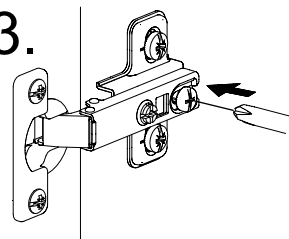
1.

TU010
TU020

2.

TU010
TU020

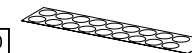
3.

TU010
TU020

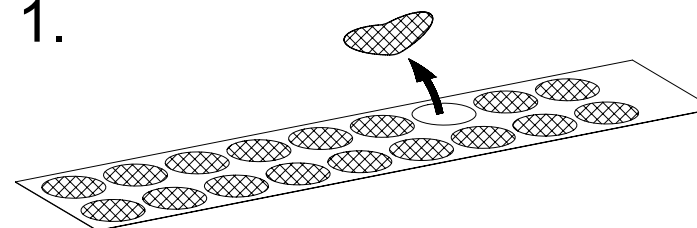
38

1x RE010

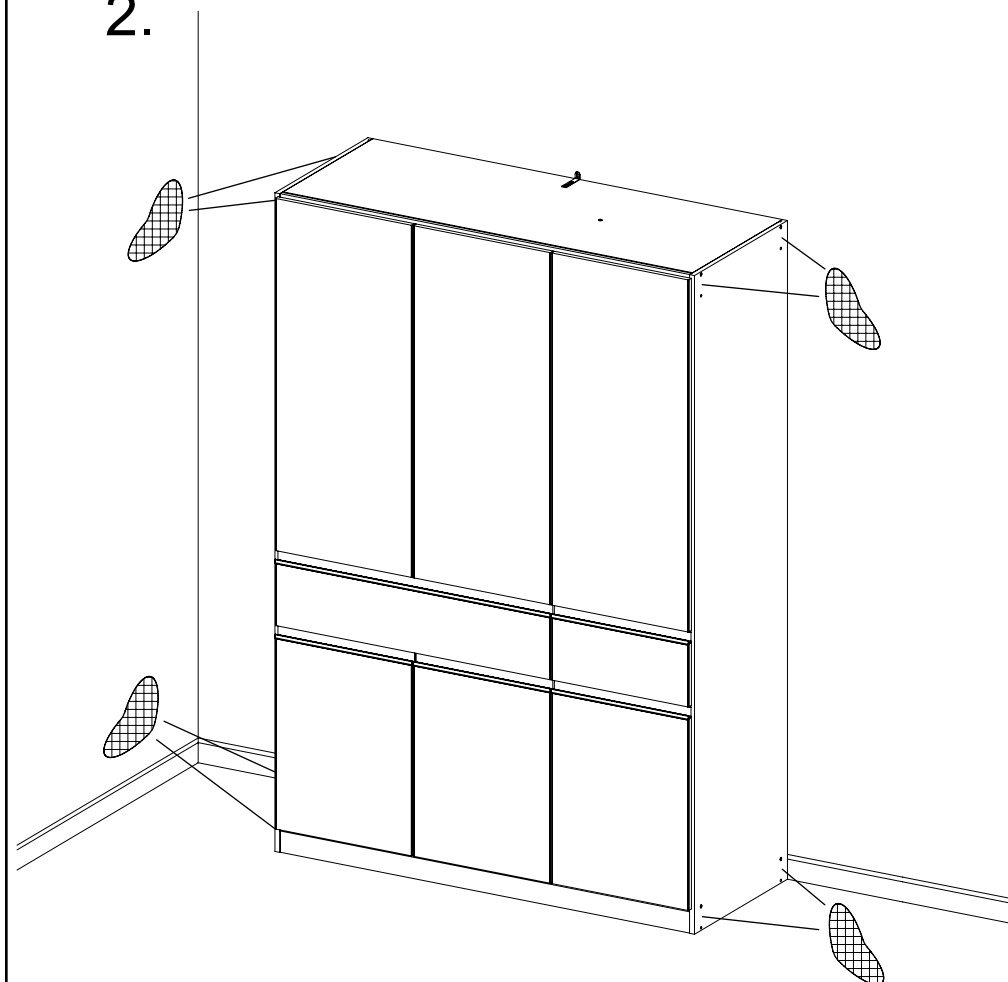
RE010



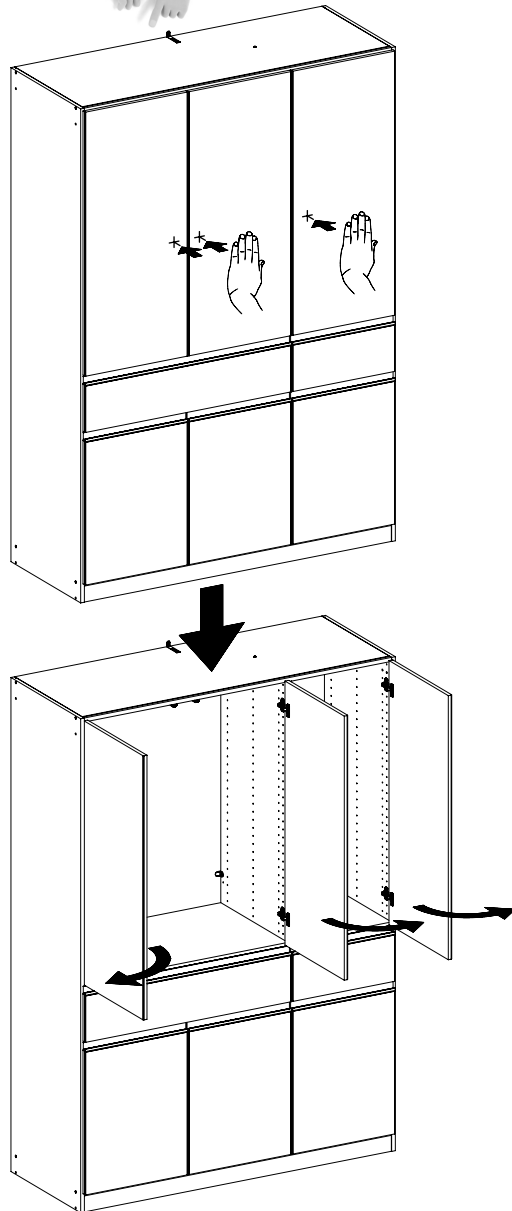
1.



2.

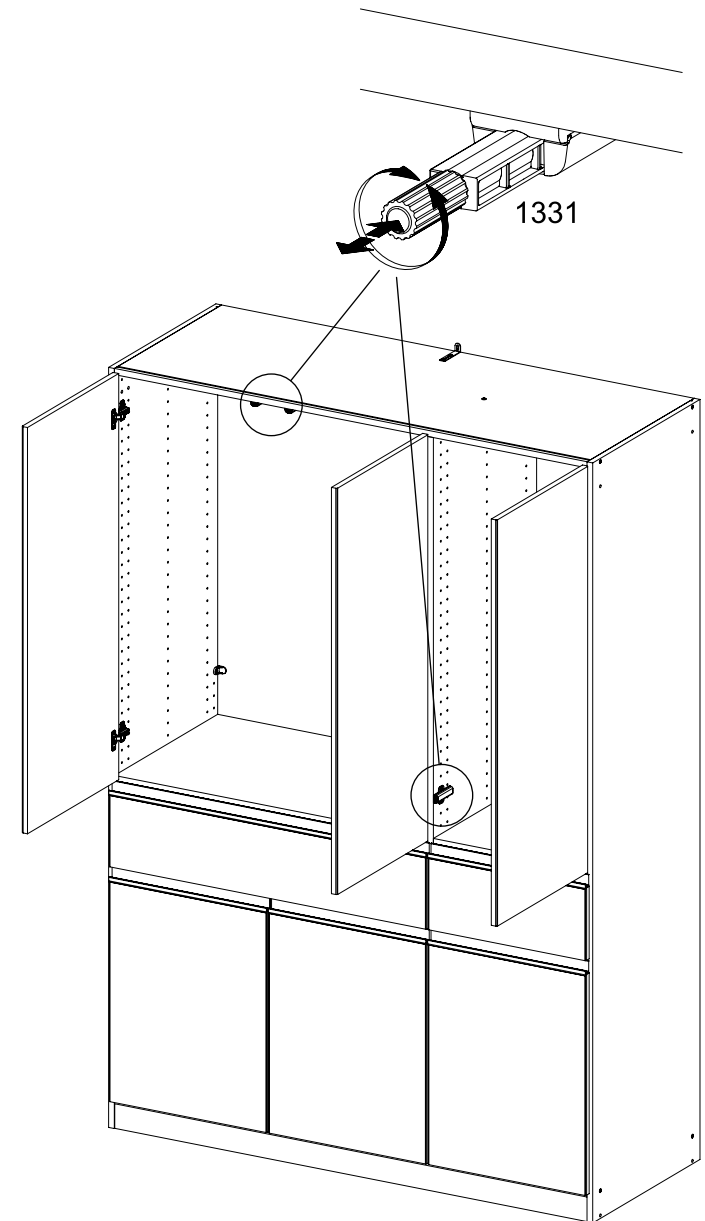


39



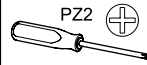
M3186

40



M3186

41



SCAN ME

