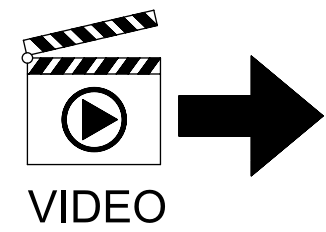
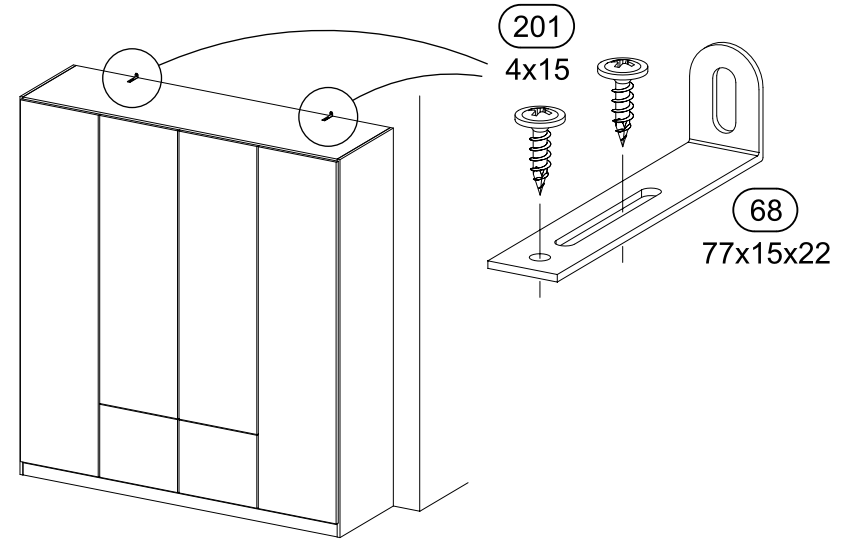
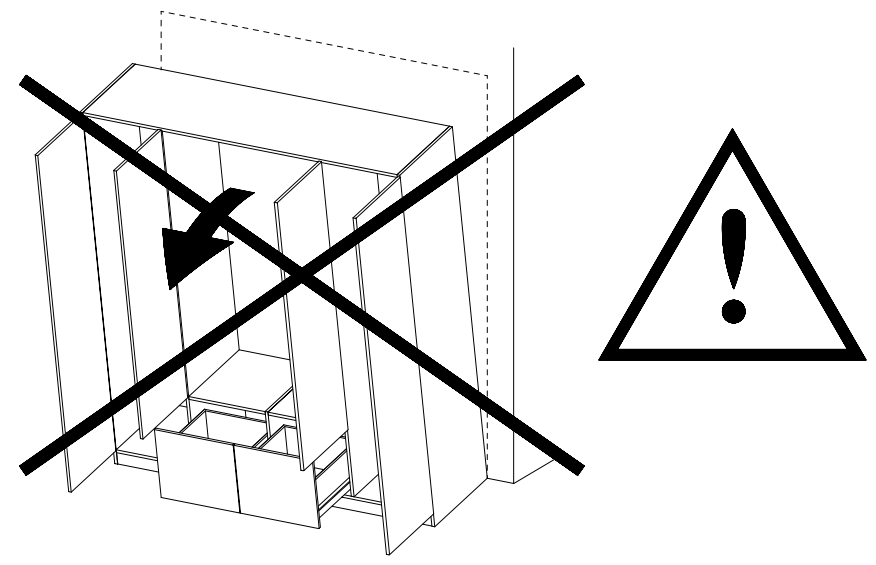
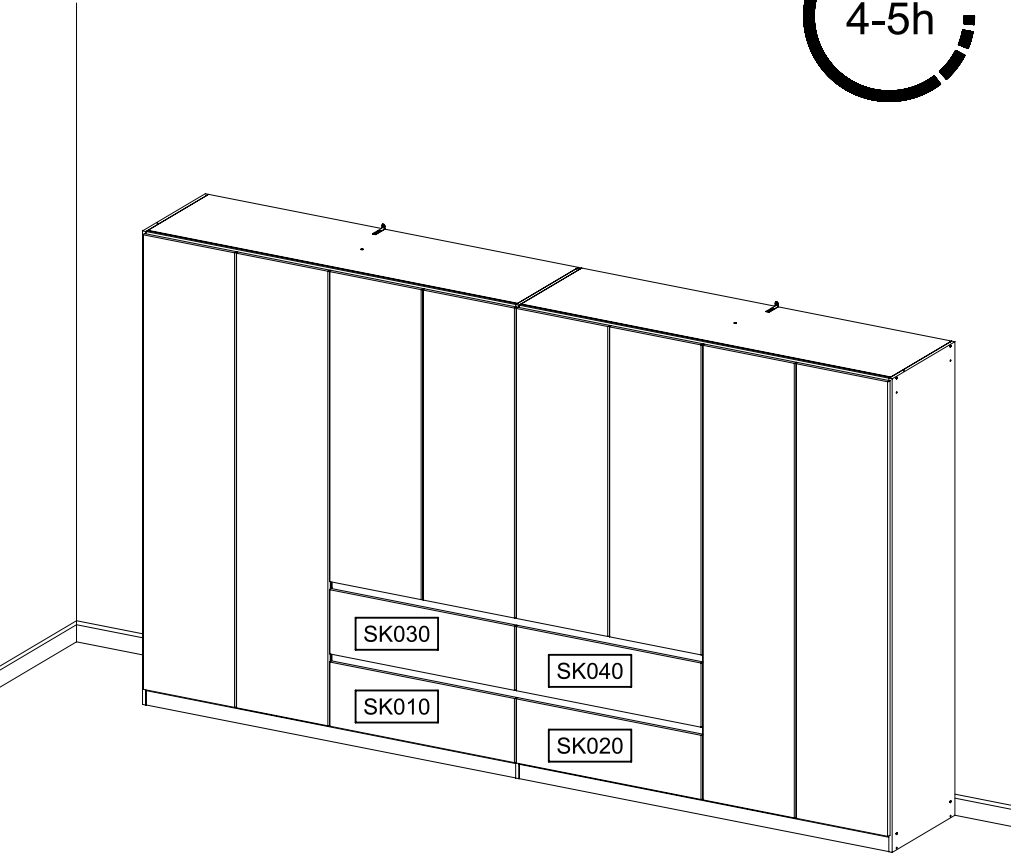
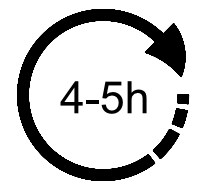
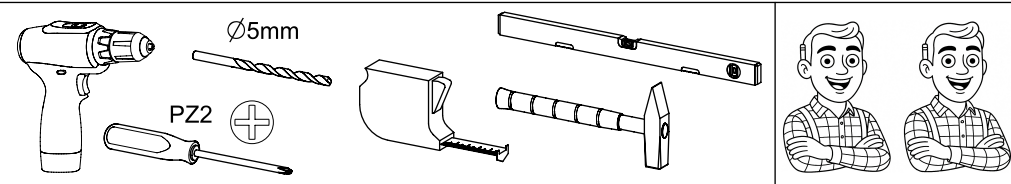
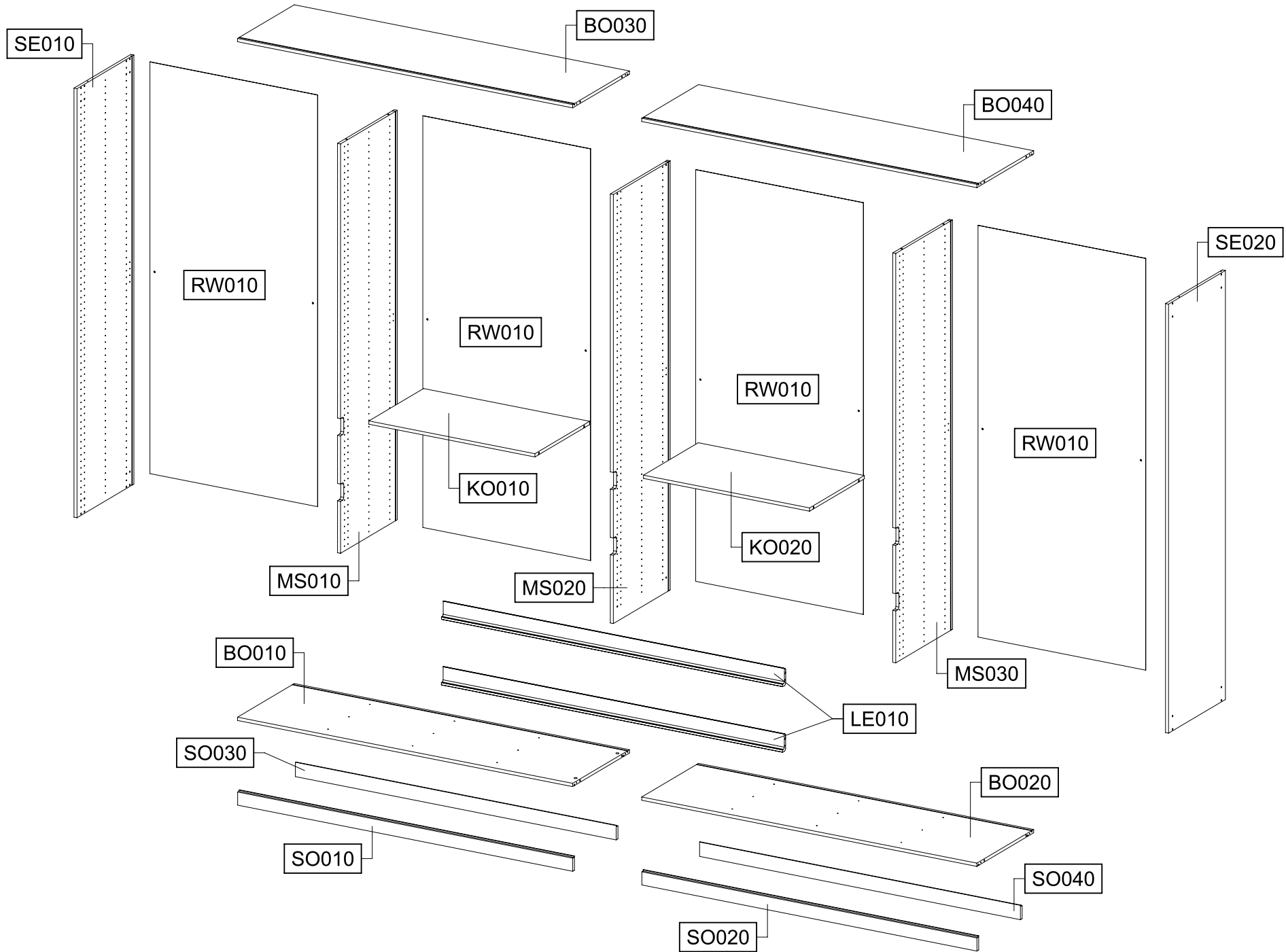
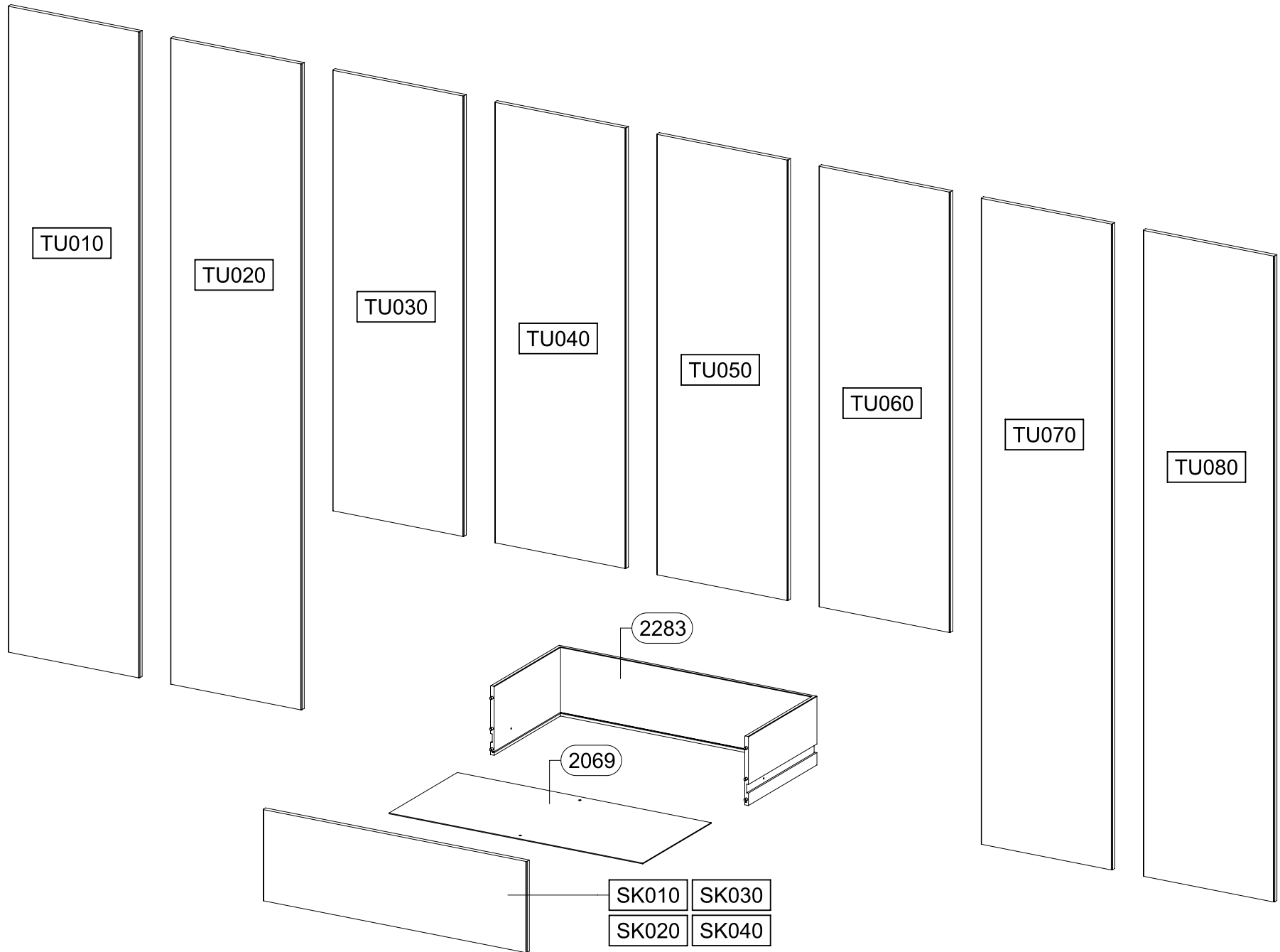
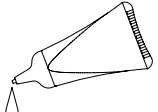
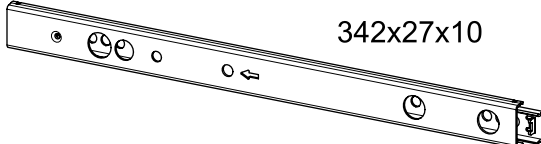
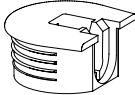
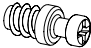
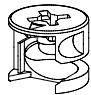

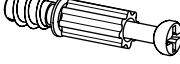
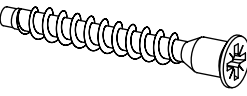





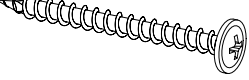
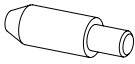
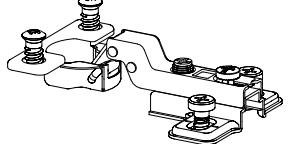

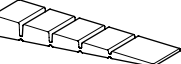
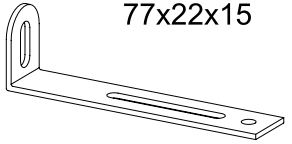

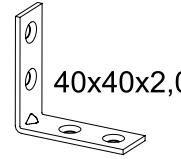
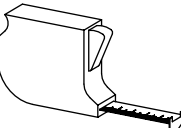
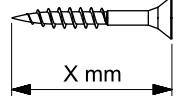
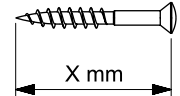
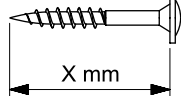


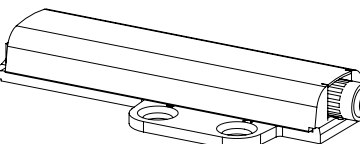
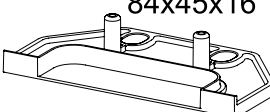
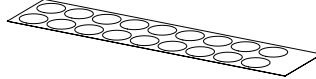
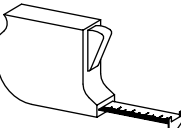
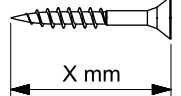
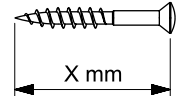
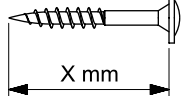
M3183_01







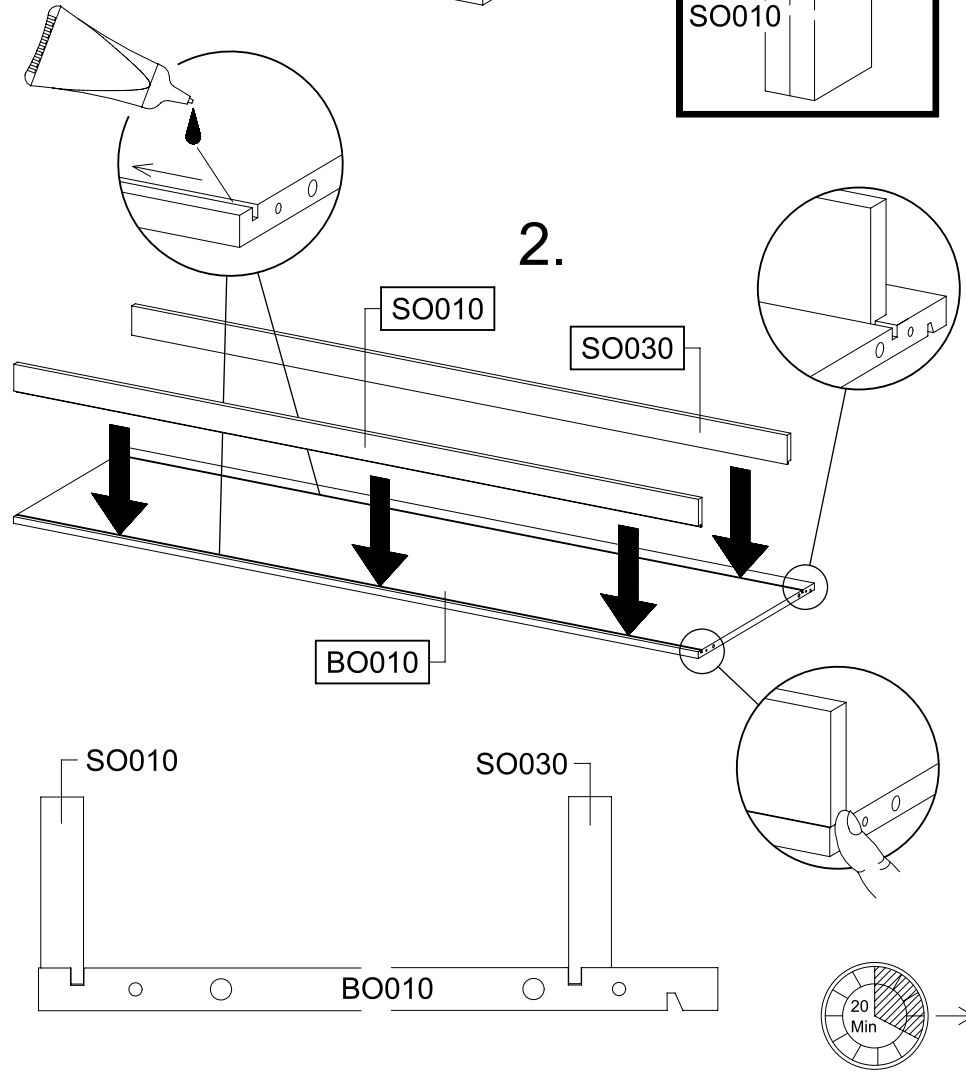
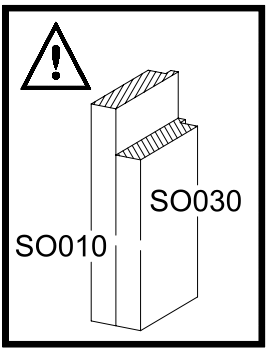
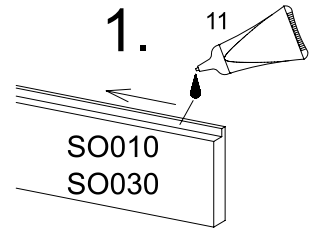
<p>2</p>  <p>11</p>	<p>8x</p> <p>342x27x10</p>  <p>1396</p>		
<p>8x</p>  <p>274</p>	<p>8x</p> <p>5,0x7,0</p>  <p>249</p>	<p>4x</p>  <p>173</p>	<p>12x</p> <p>4x15</p>  <p>201</p>
<p>4x</p>  <p>183</p>	<p>12x</p> <p>6,3x50</p>  <p>233</p>	<p>16x</p> <p>6x8</p>  <p>534</p>	
<p>8x</p> <p>8x30</p>  <p>18</p>	<p>8x</p> <p>3,5x15</p>  <p>205</p>	<p>16x</p>  <p>1</p>	
<p>8x</p> <p>M4x9</p>  <p>568</p>	<p>2x</p> <p>4,5x50</p>  <p>296</p>	<p>8x</p>  <p>807</p>	
<p>24x</p>  <p>116</p>	<p>24x</p> <p>6,5x12</p>  <p>779</p>	<p>3x</p> <p>55x16x6,2</p>  <p>12</p>	
<p>2x</p> <p>77x22x15</p>  <p>68</p>	<p>16x</p> <p>3,5x12</p>  <p>88</p>	<p>4x</p> <p>40x40x2,0</p>  <p>188</p>	
	 <p>X mm</p>	 <p>X mm</p>	 <p>X mm</p>

<p>4x</p>  <p>482</p>	<p>4x</p> <p>84x45x16</p>  <p>1031</p>		
<p>1x</p> <p>RE010</p> 			
	 <p>X mm</p>	 <p>X mm</p>	 <p>X mm</p>

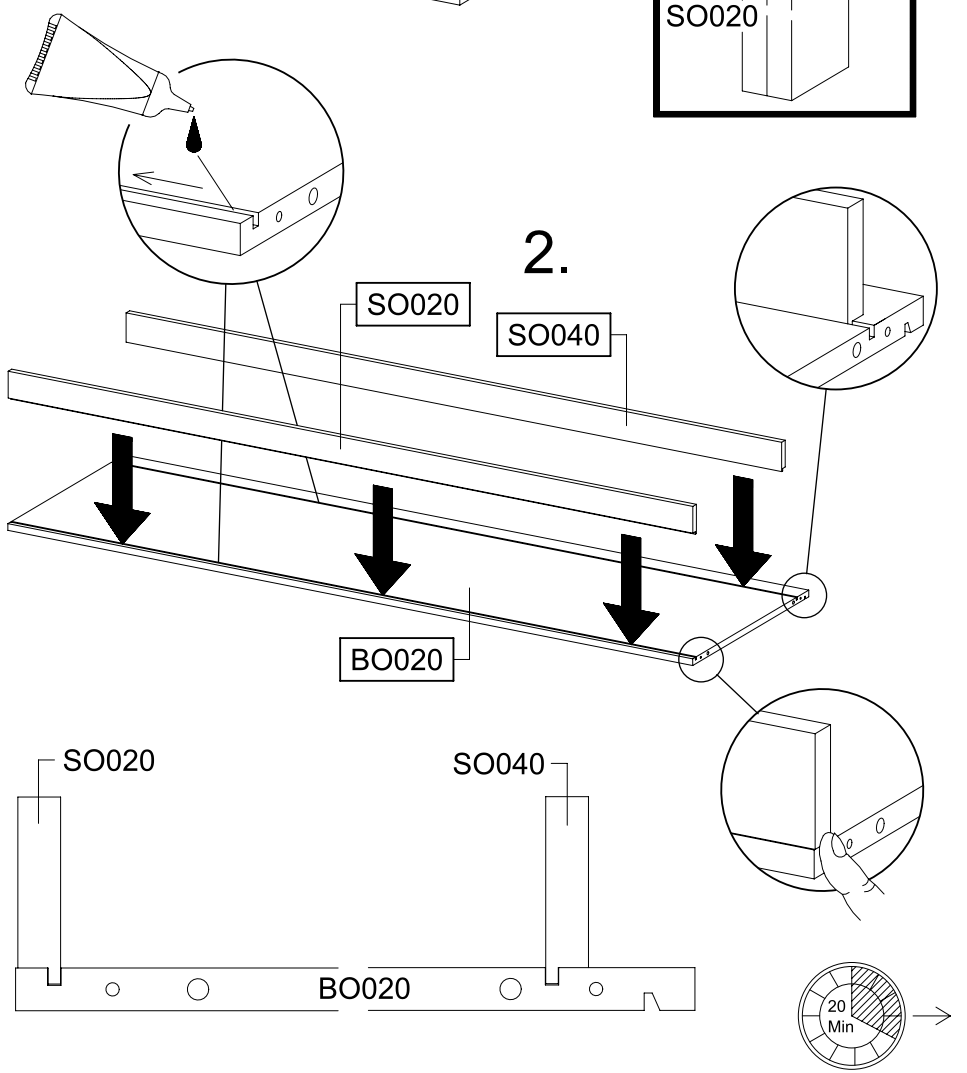
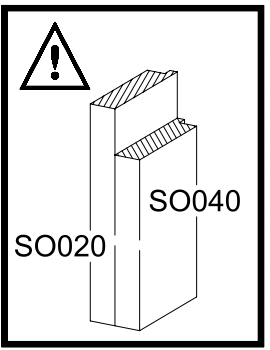
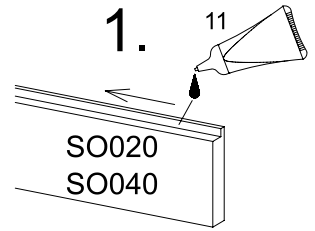
1

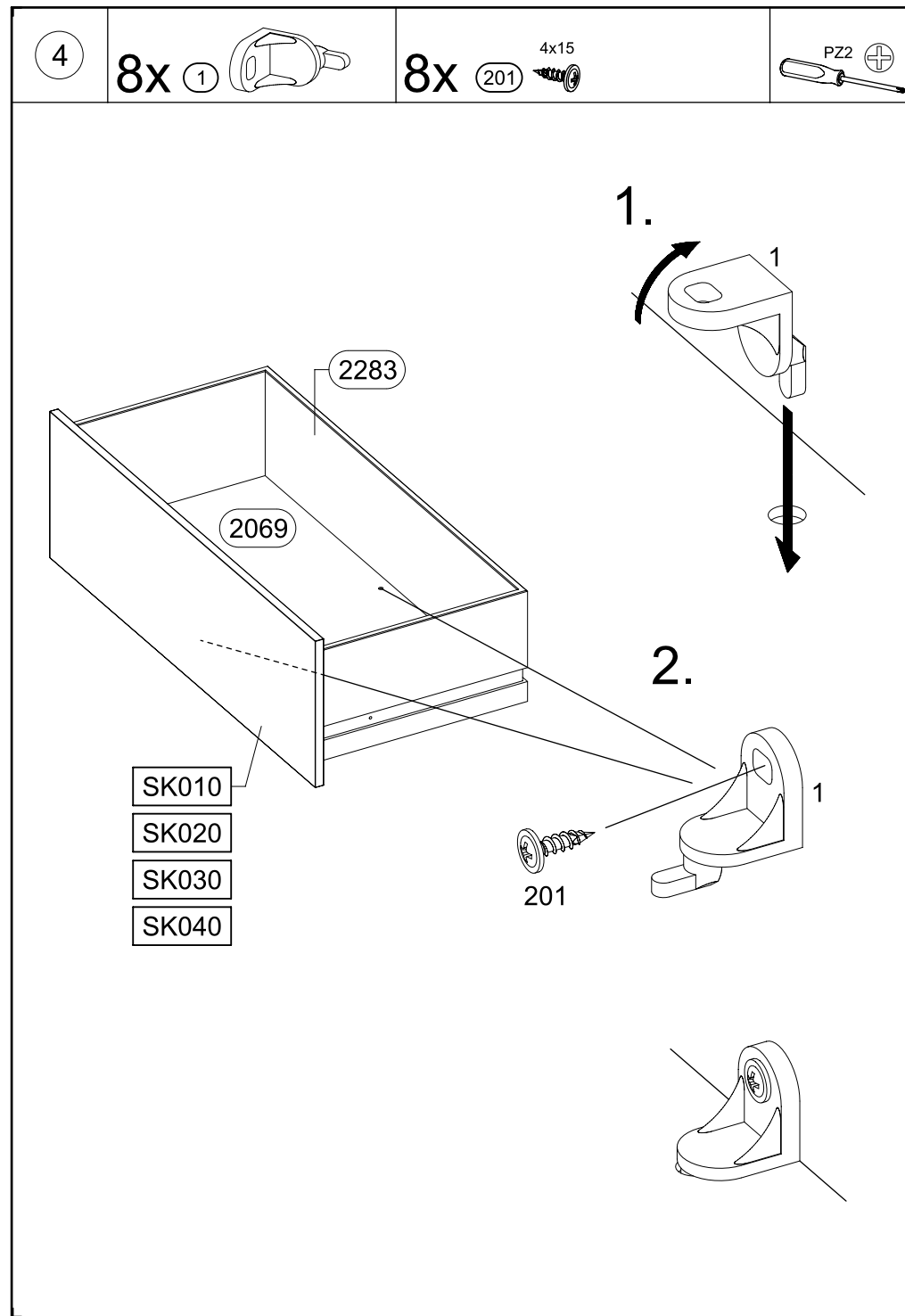
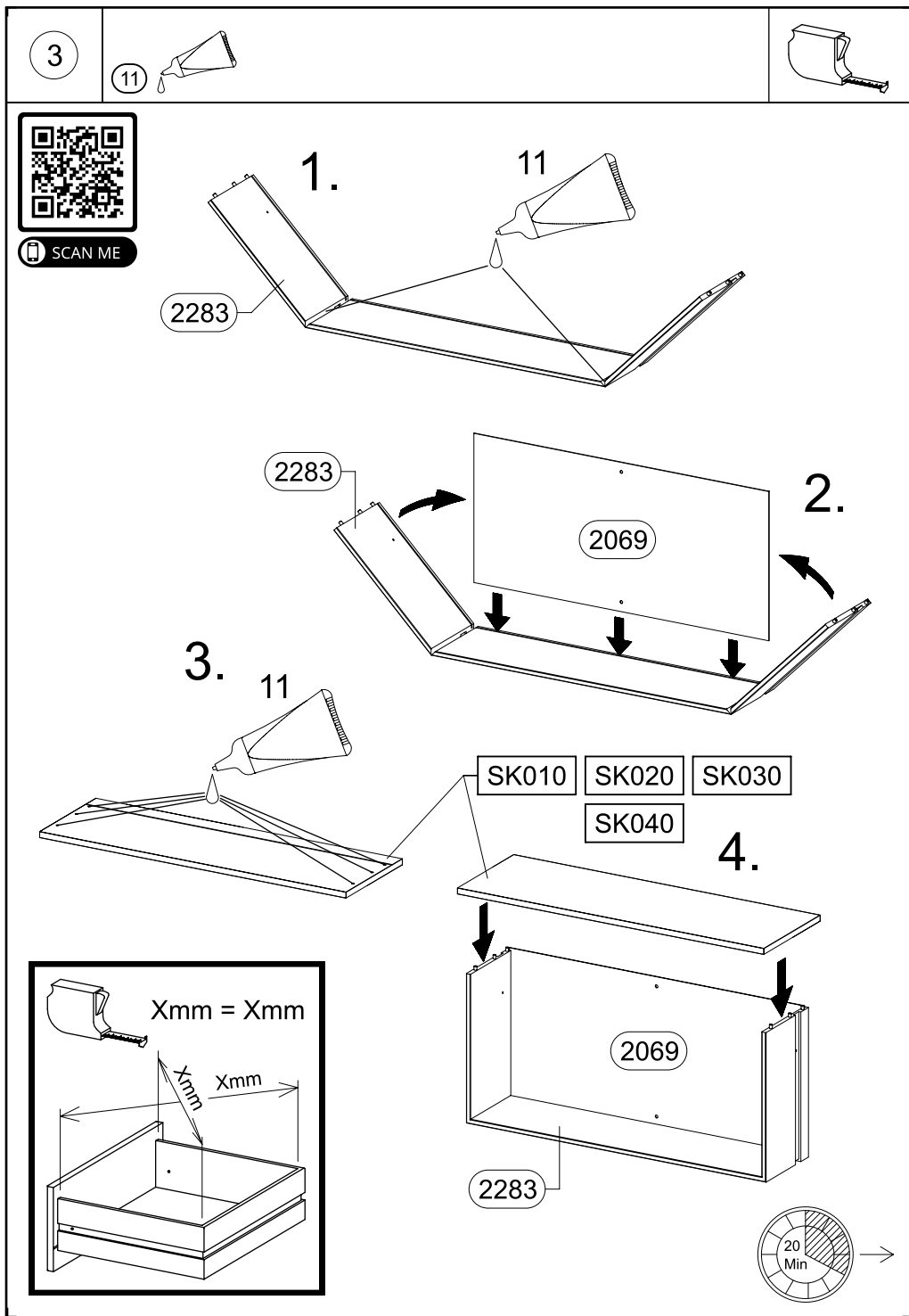


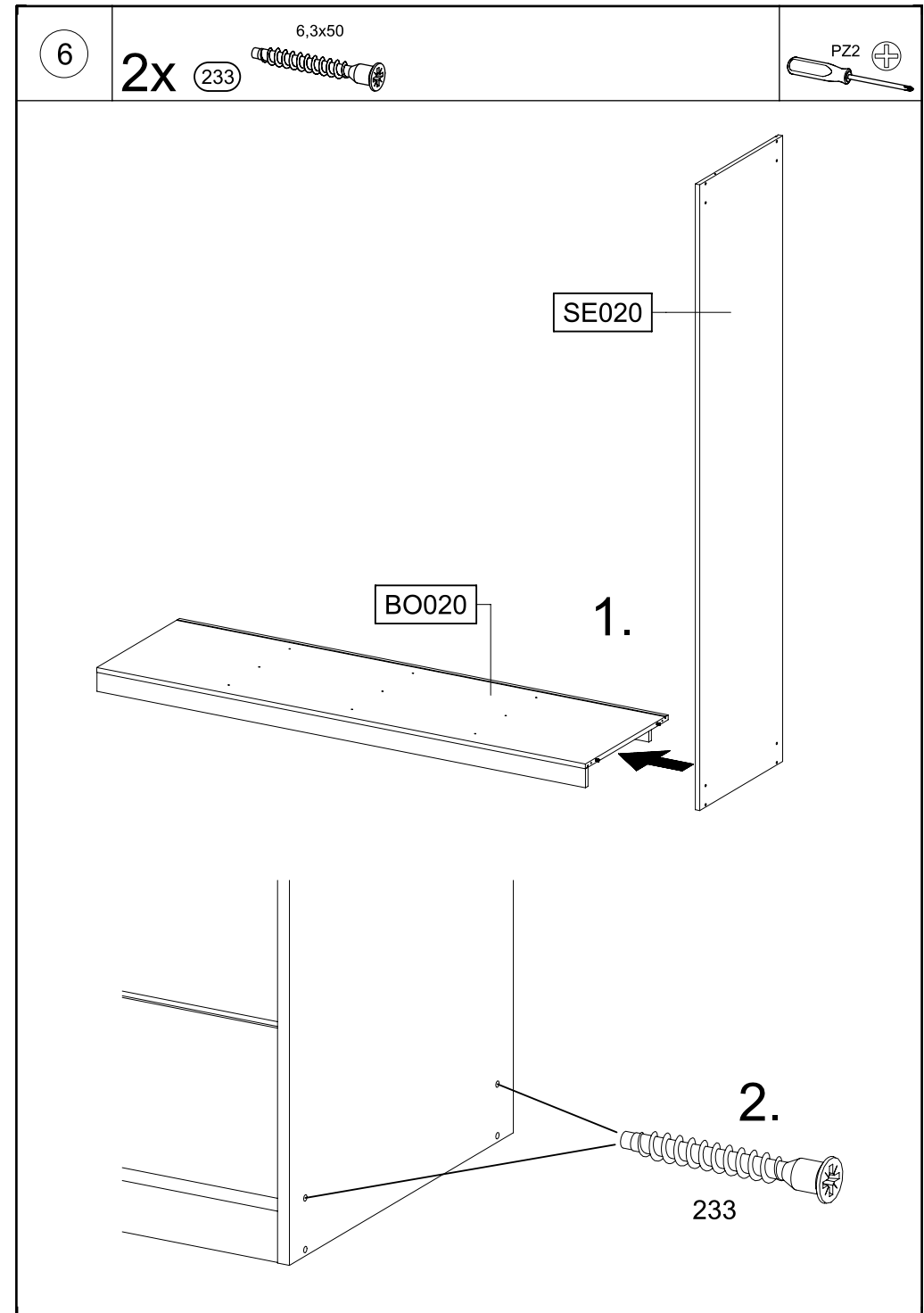
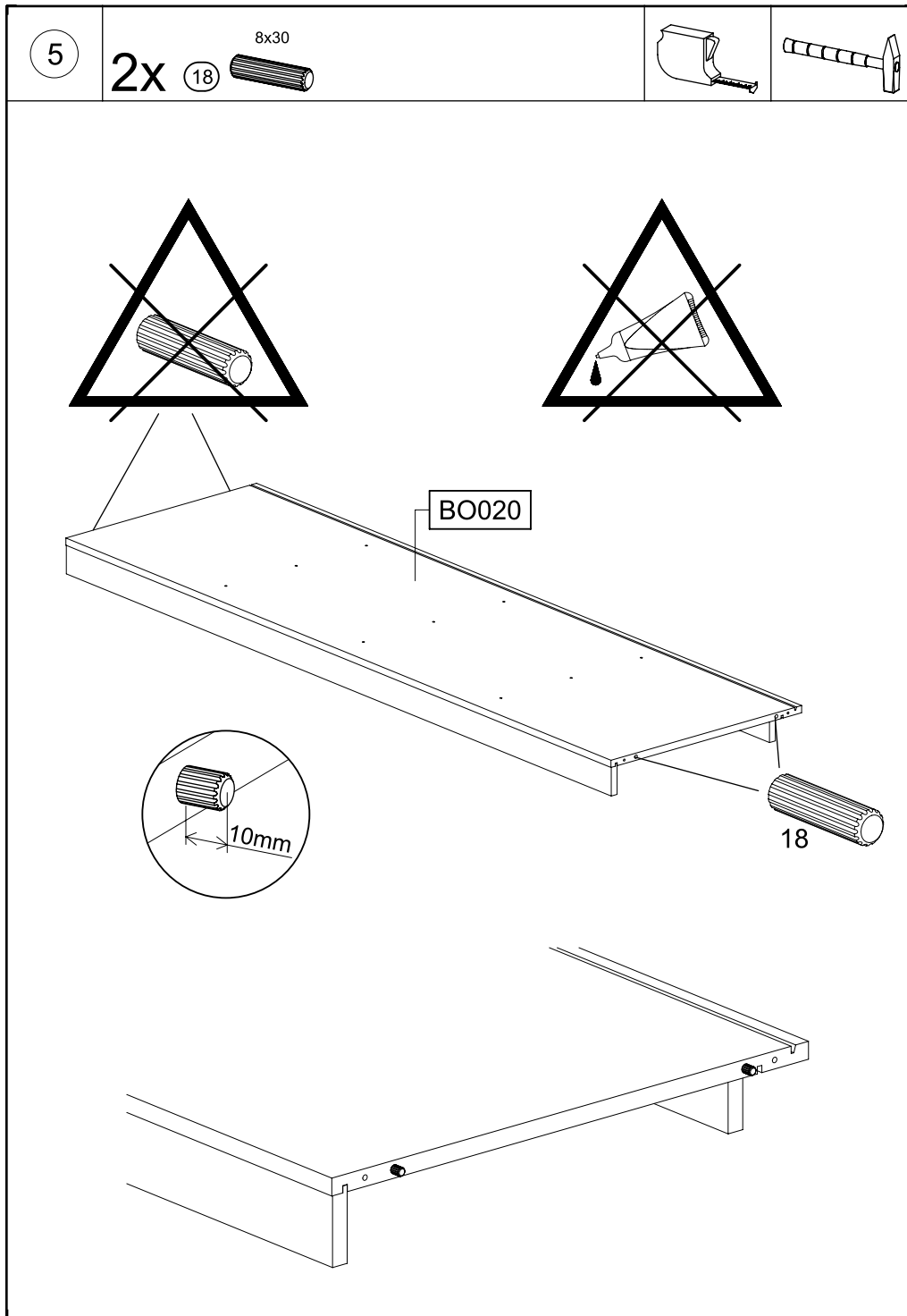
SCAN ME

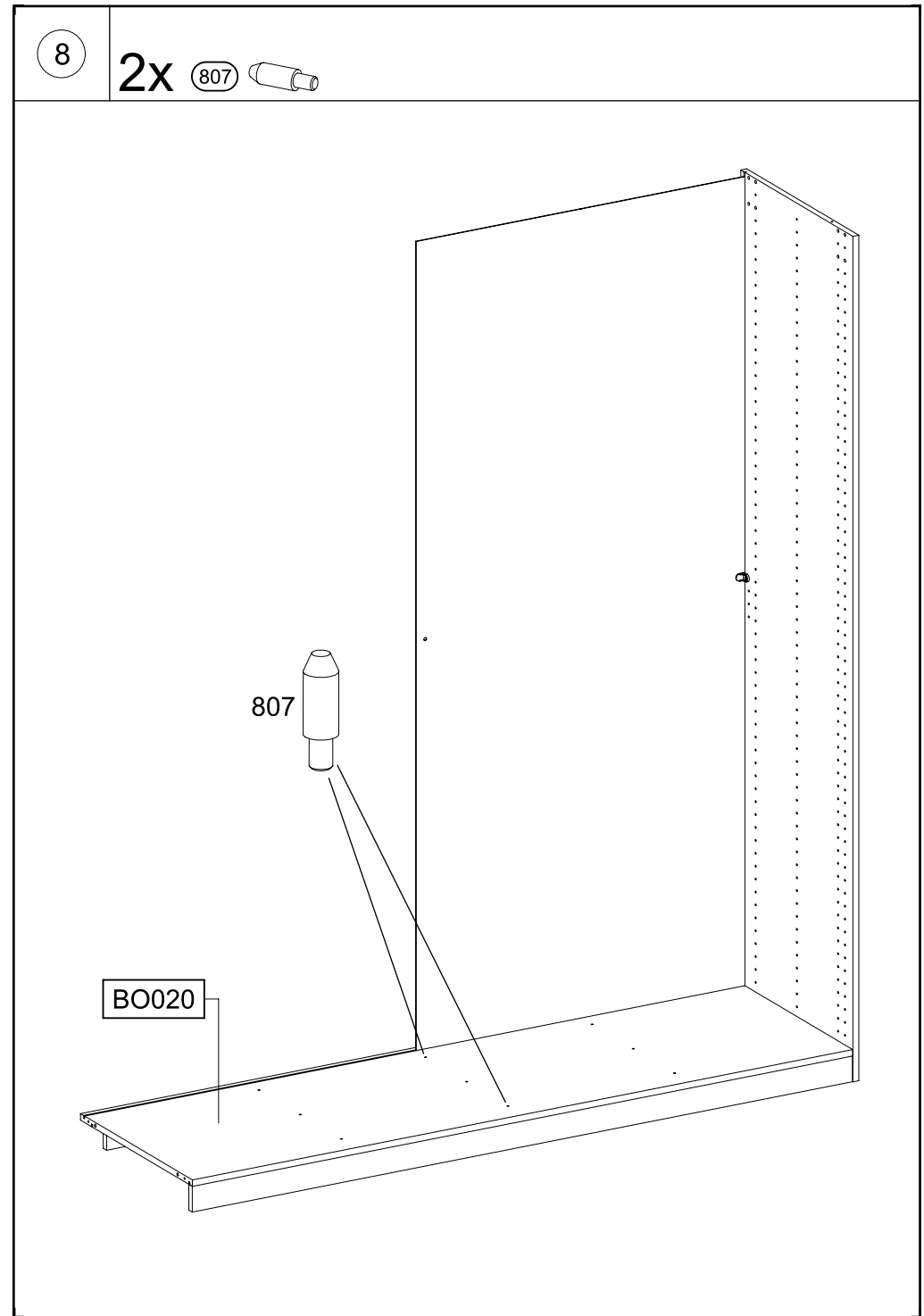
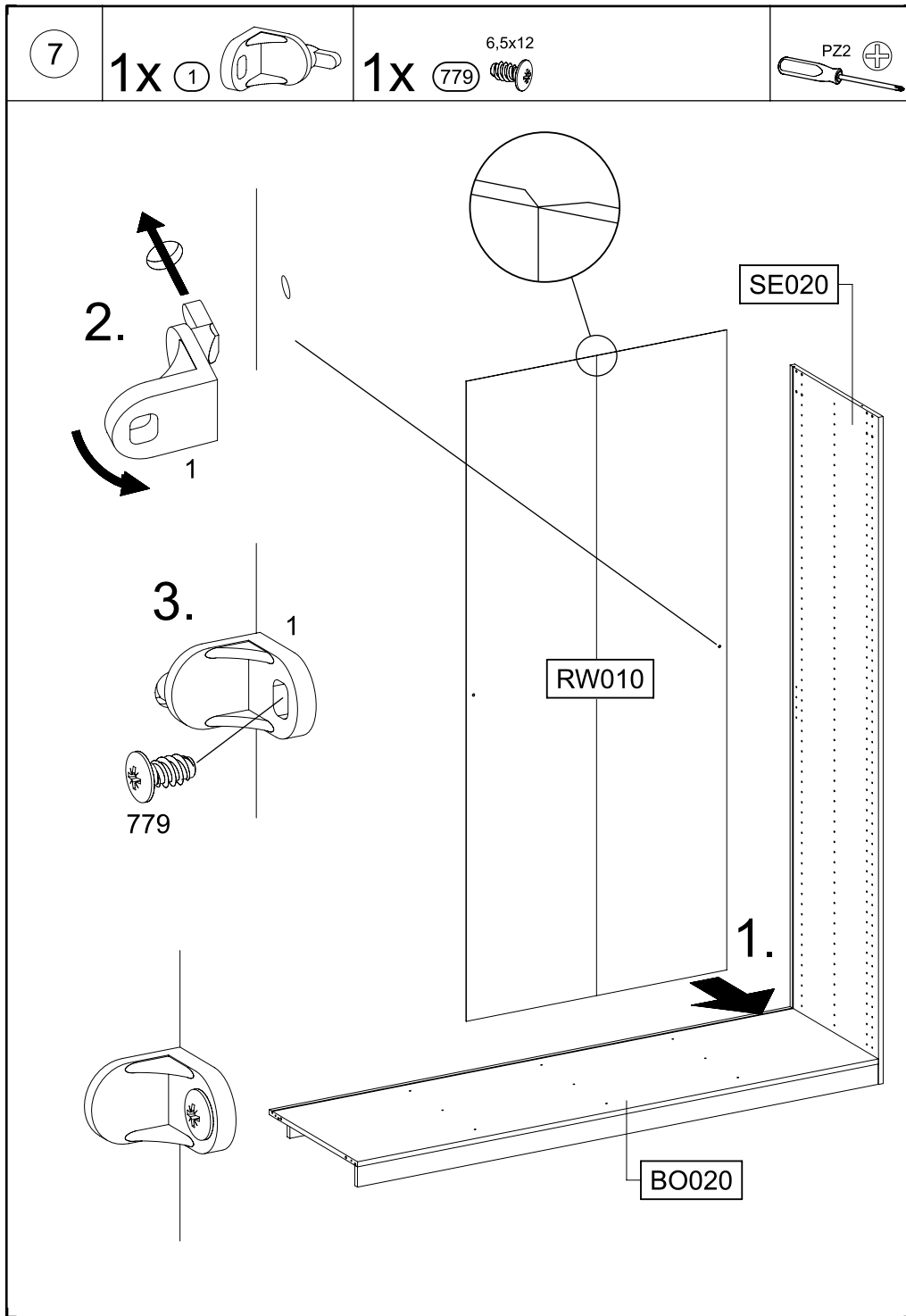


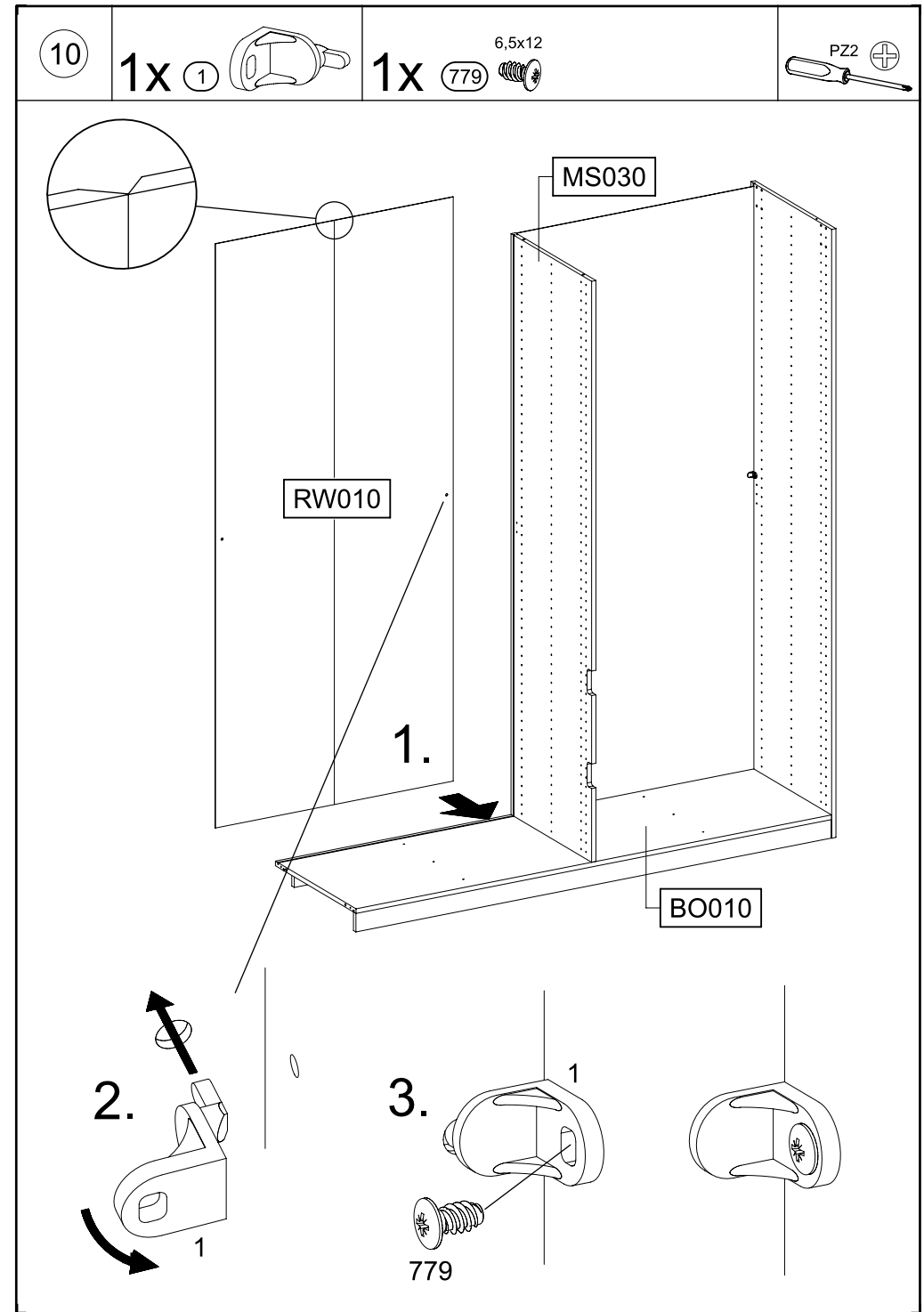
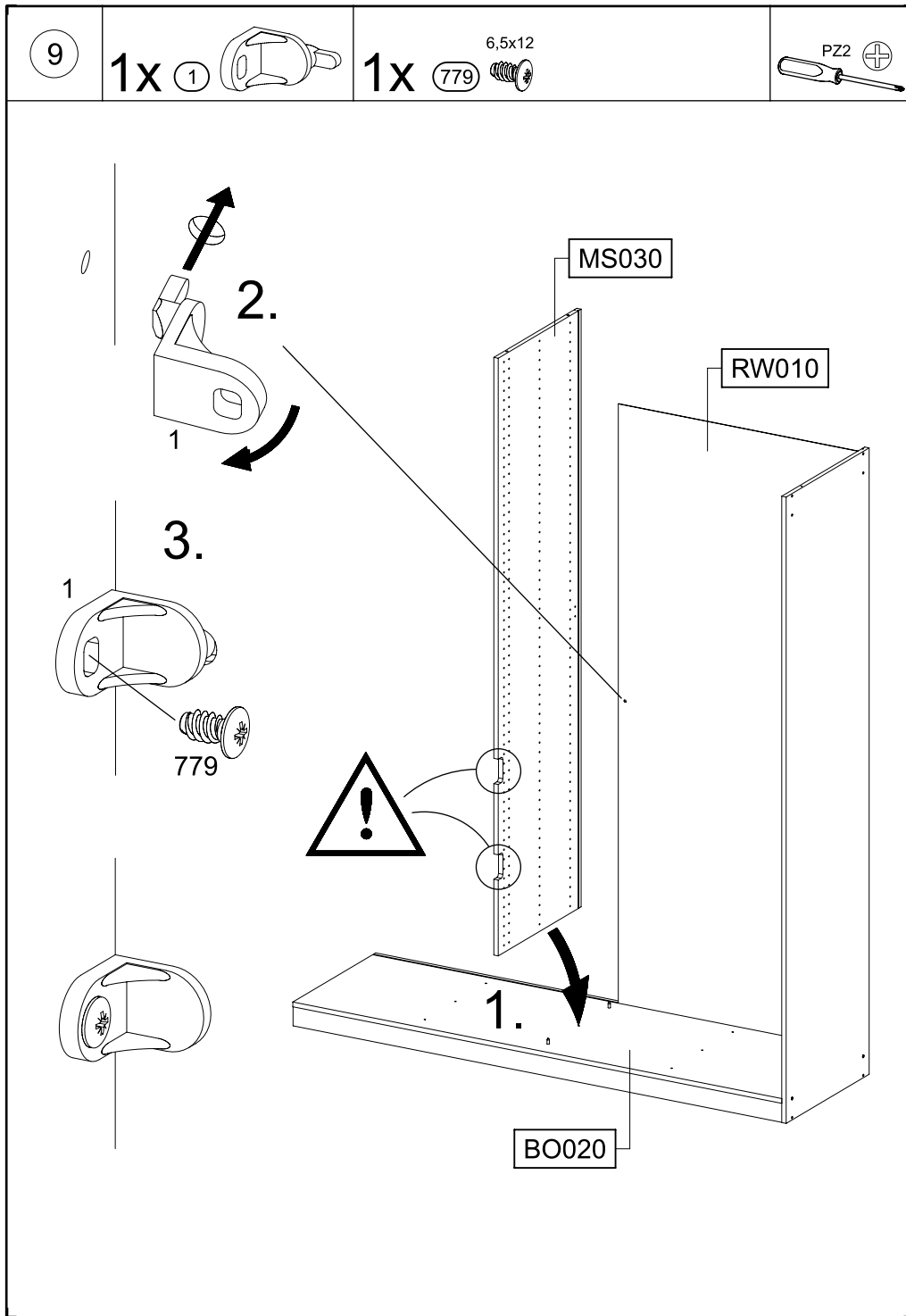
2

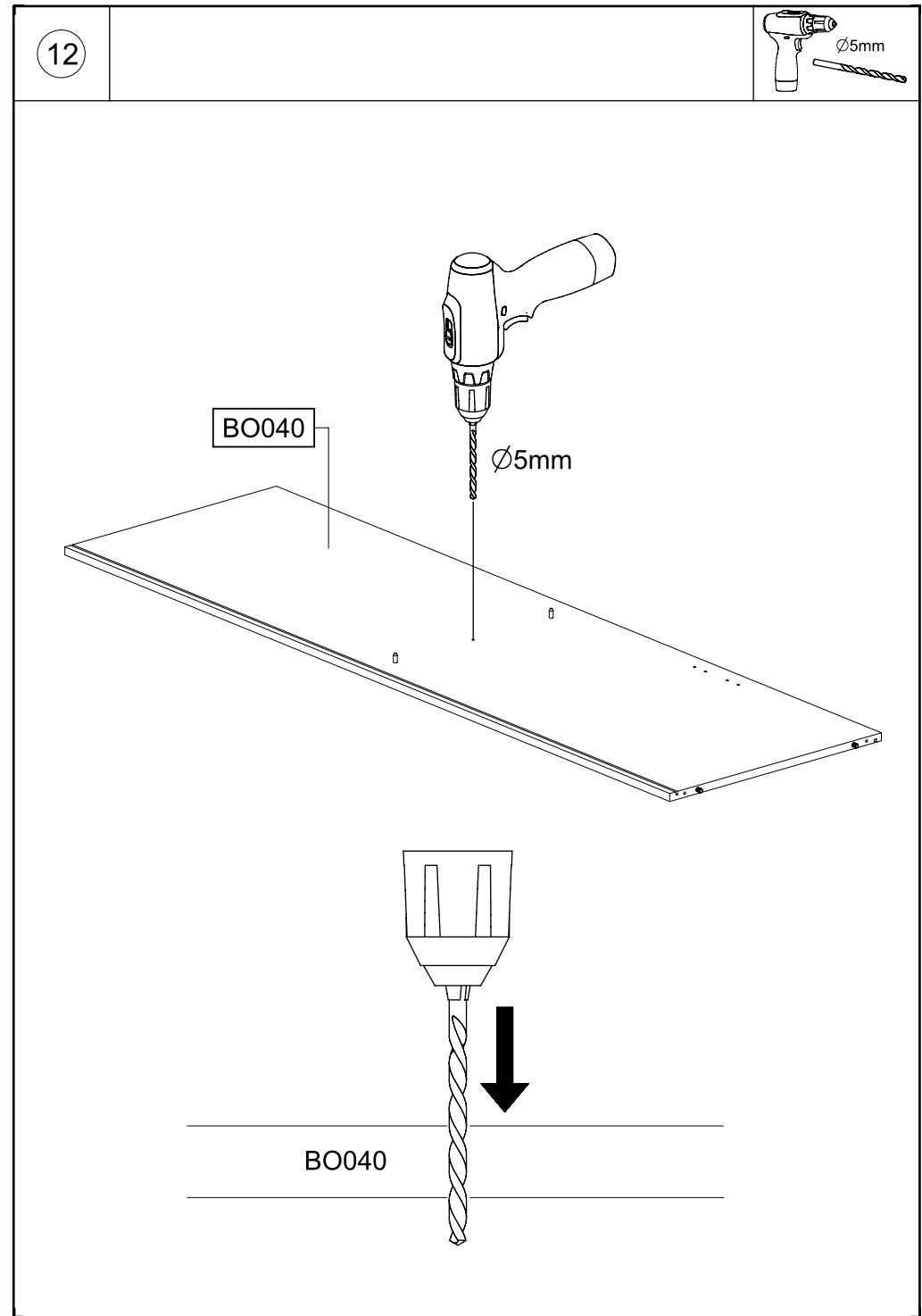
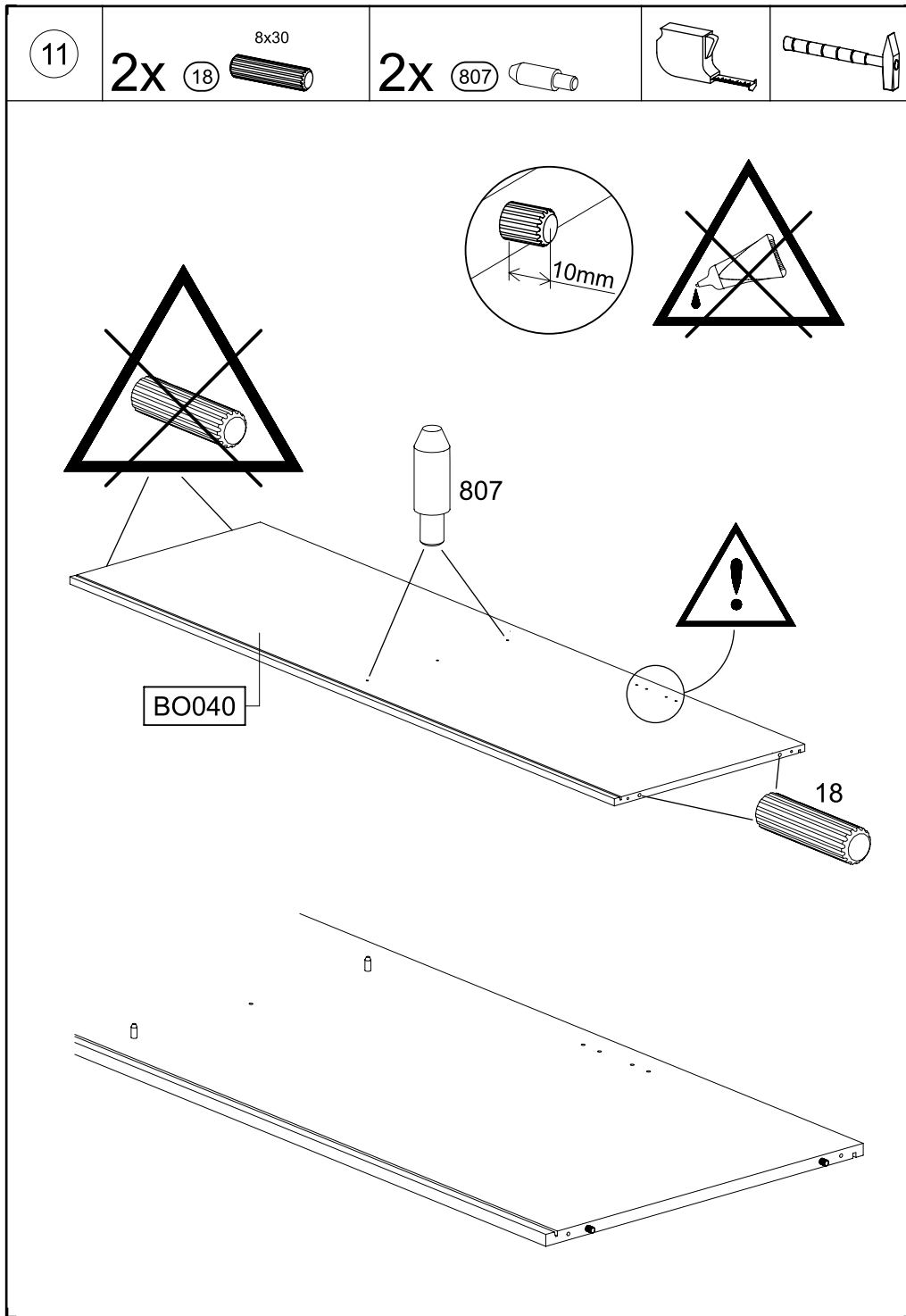


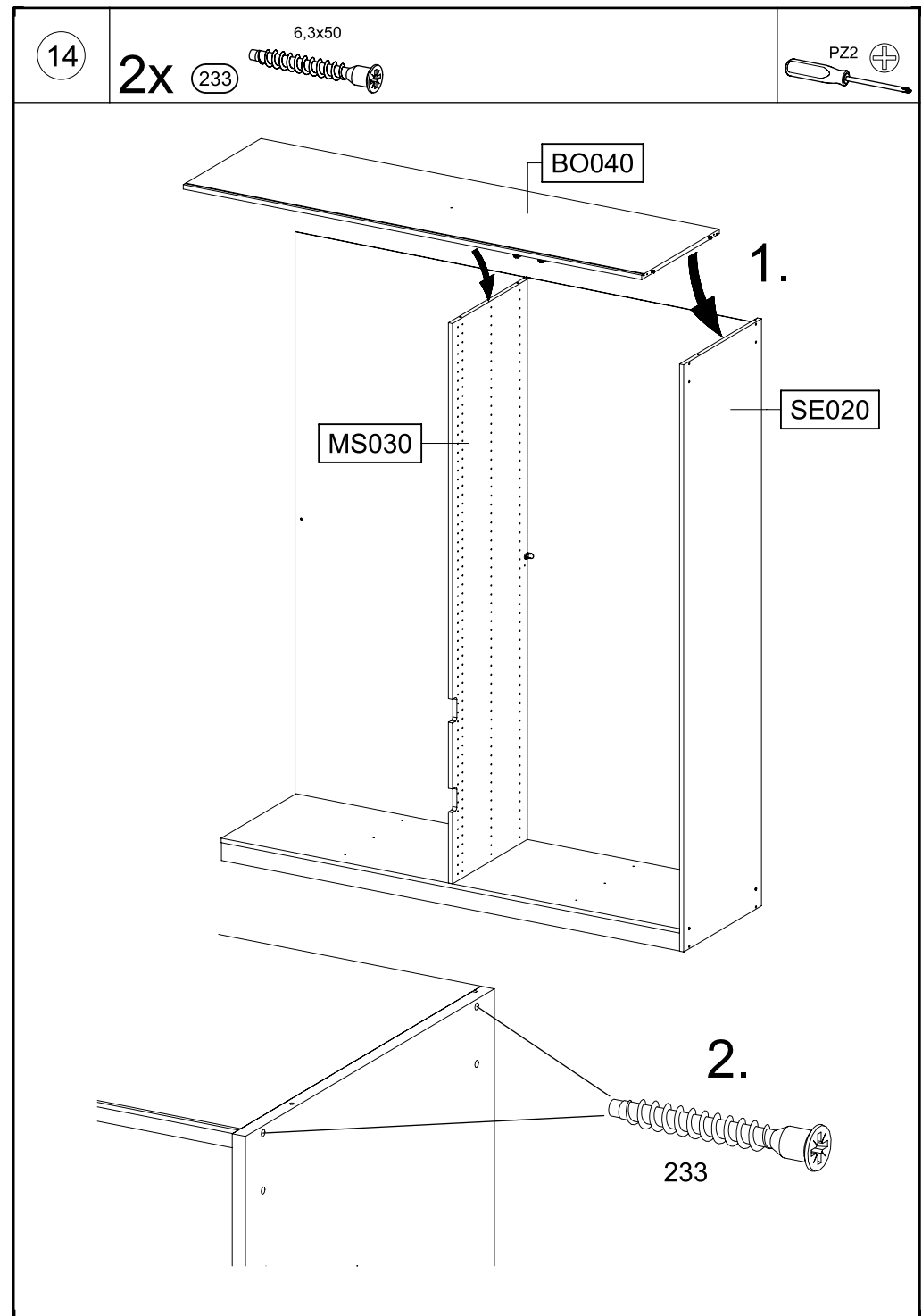
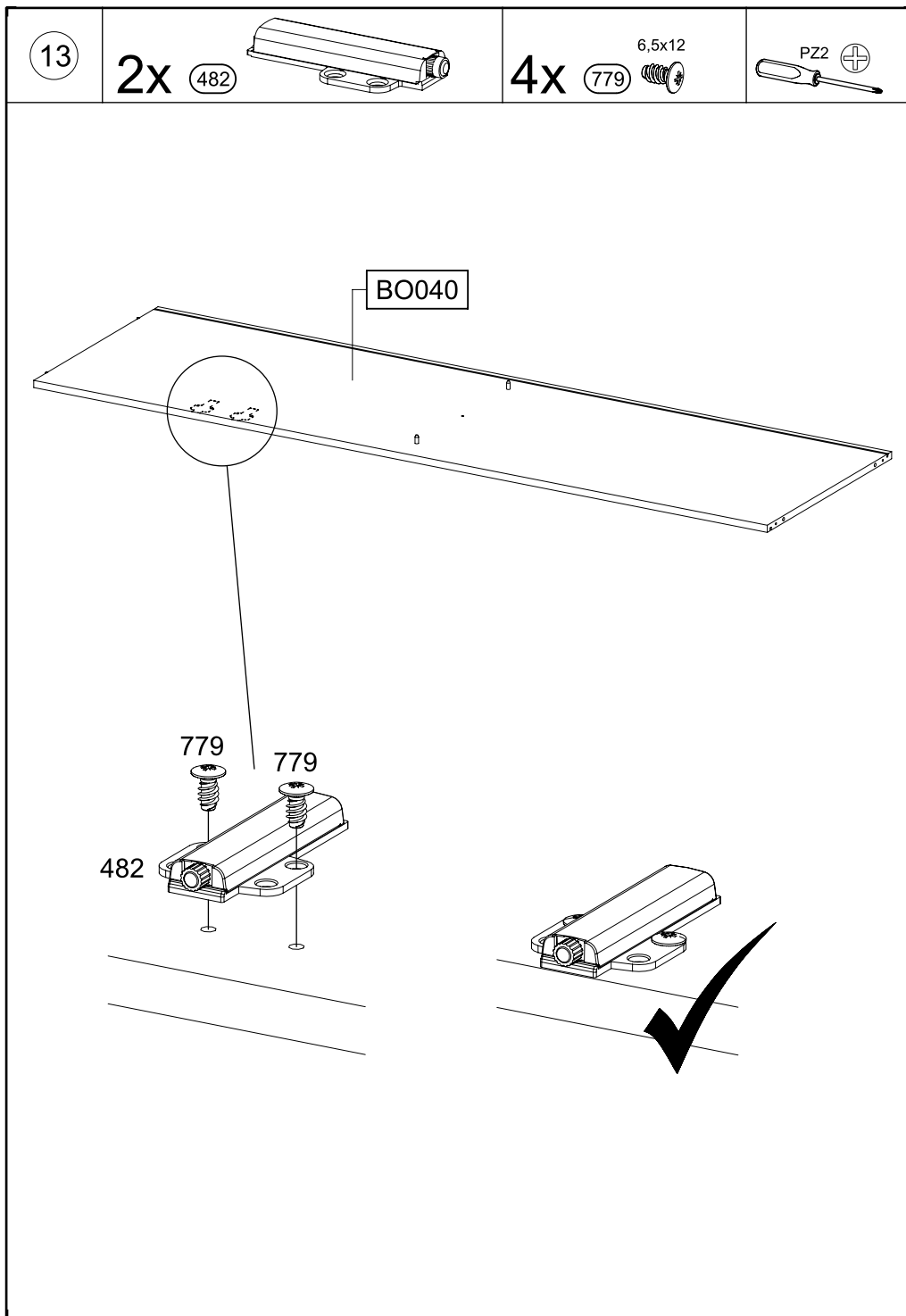






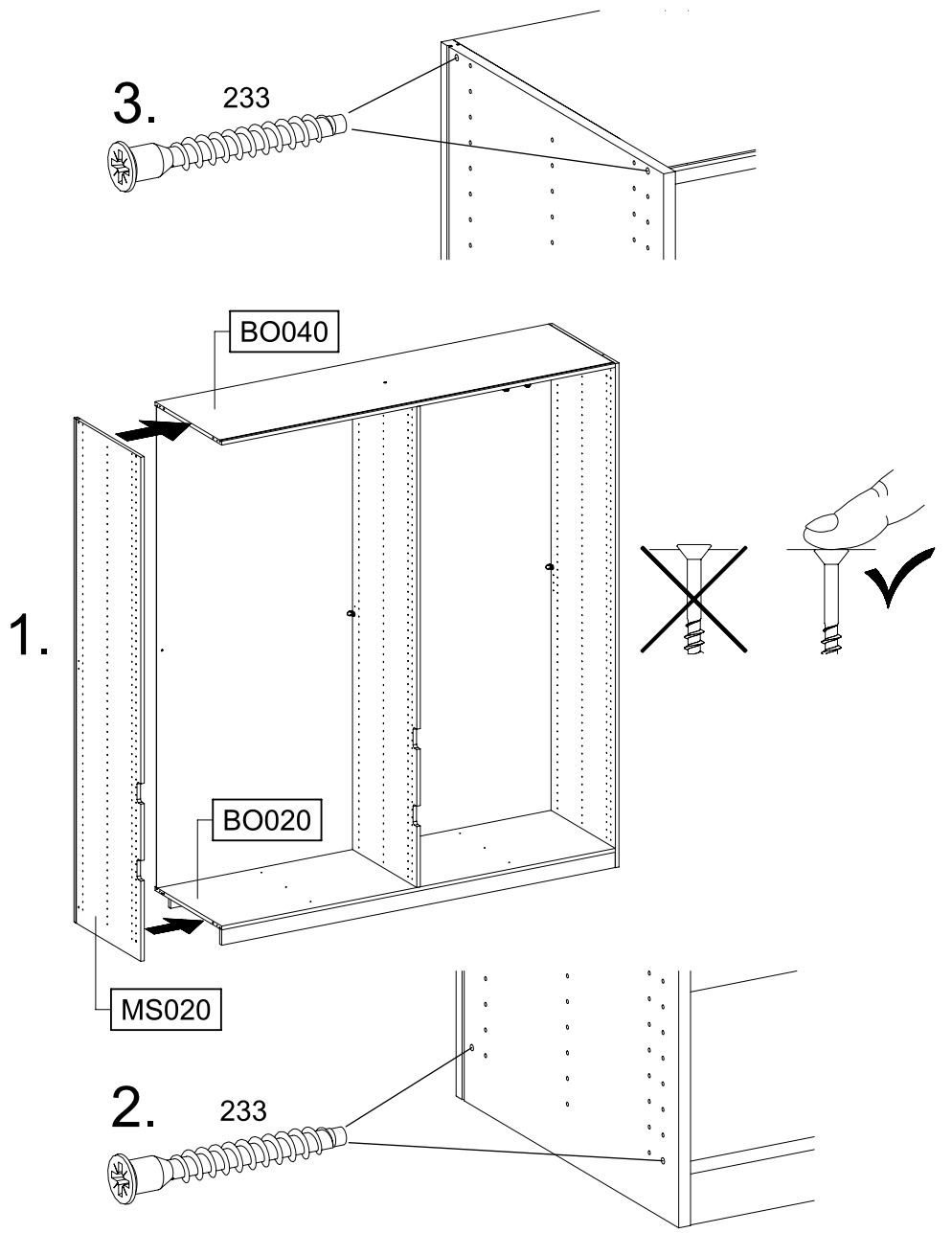
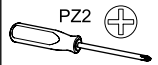
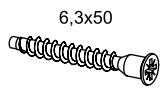






15

4x 233



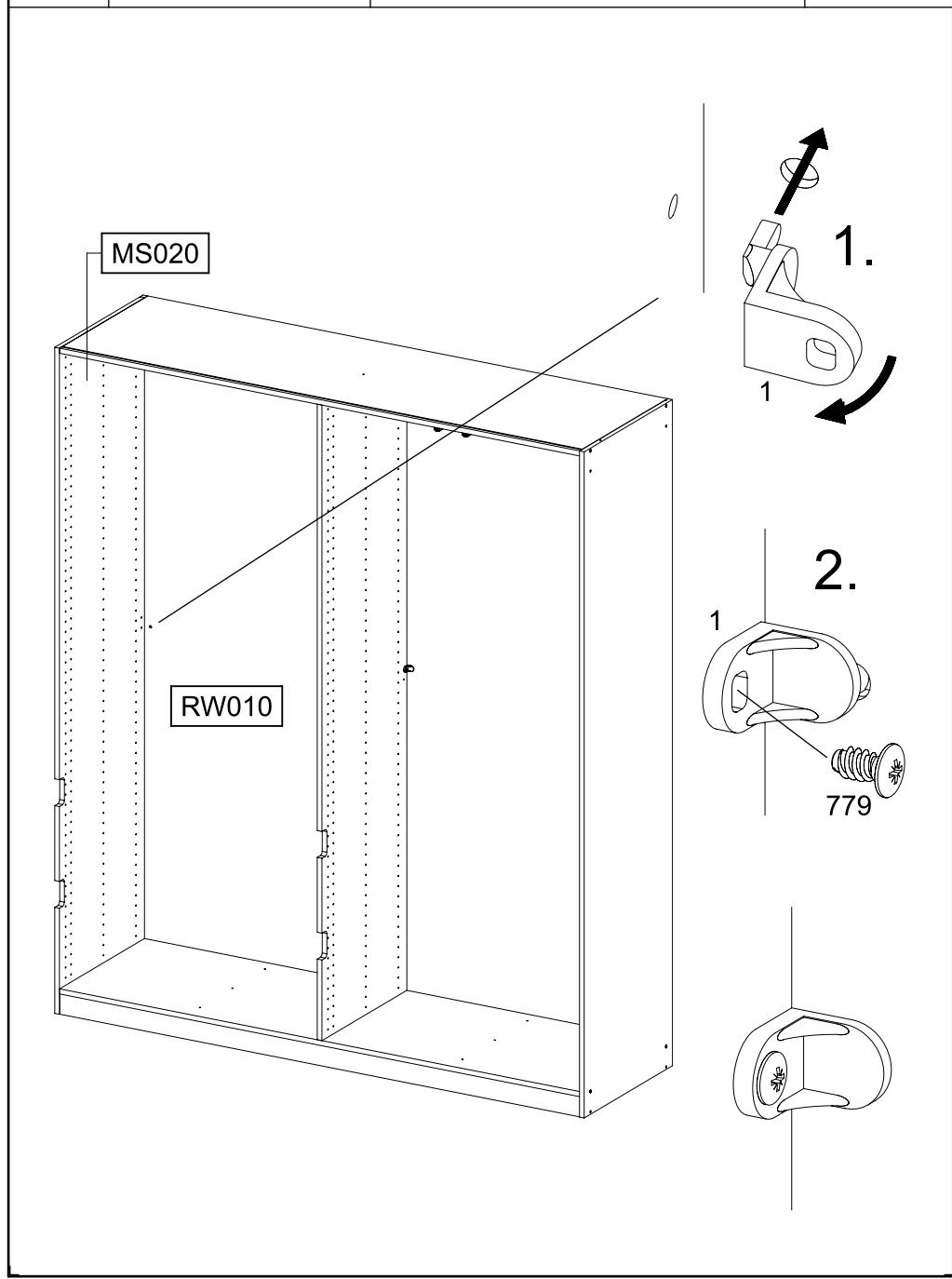
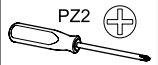
16

1x 1



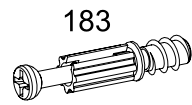
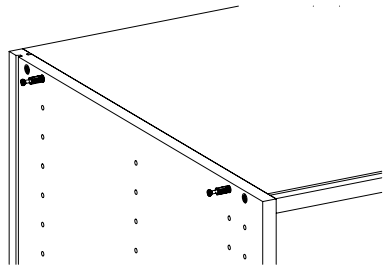
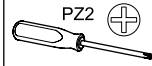
1x 779

6,5x12

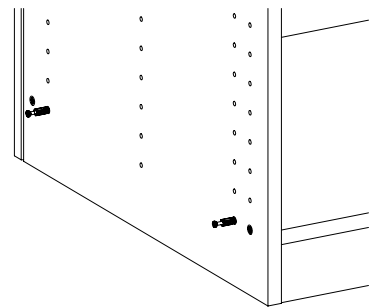
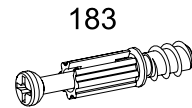


17

4x 183



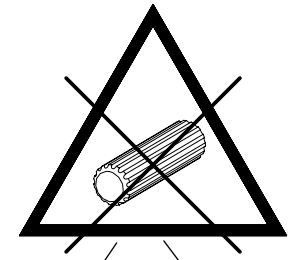
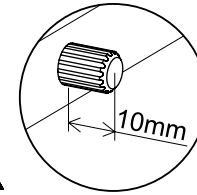
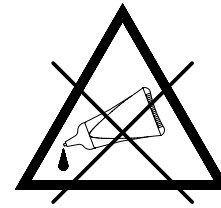
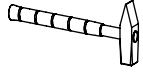
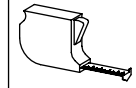
MS020



18

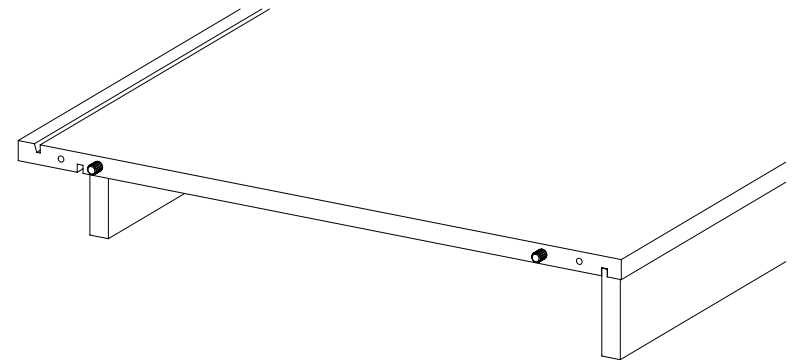
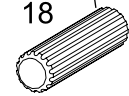
2x 18

8x30



18

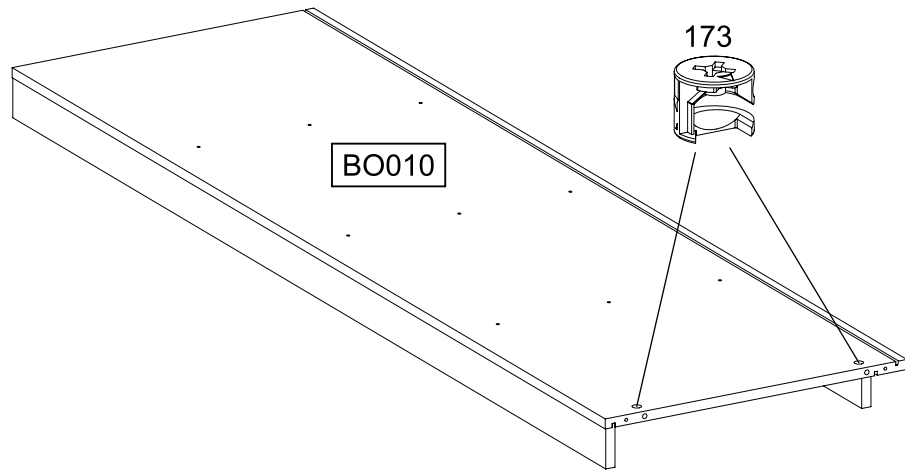
BO010



19

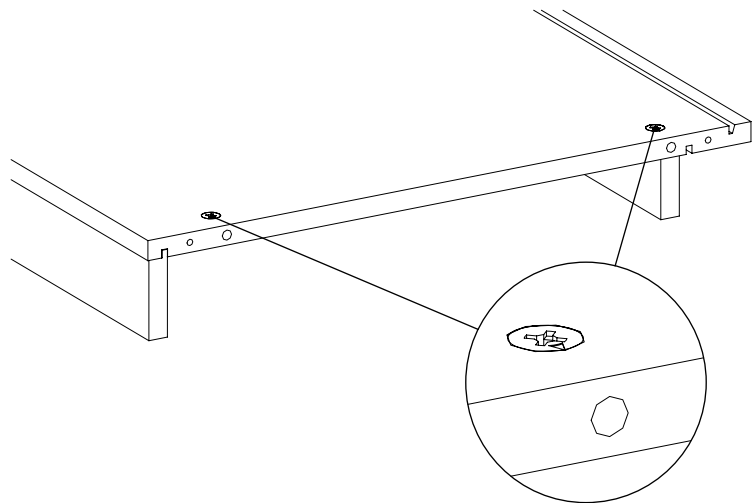
2x

173

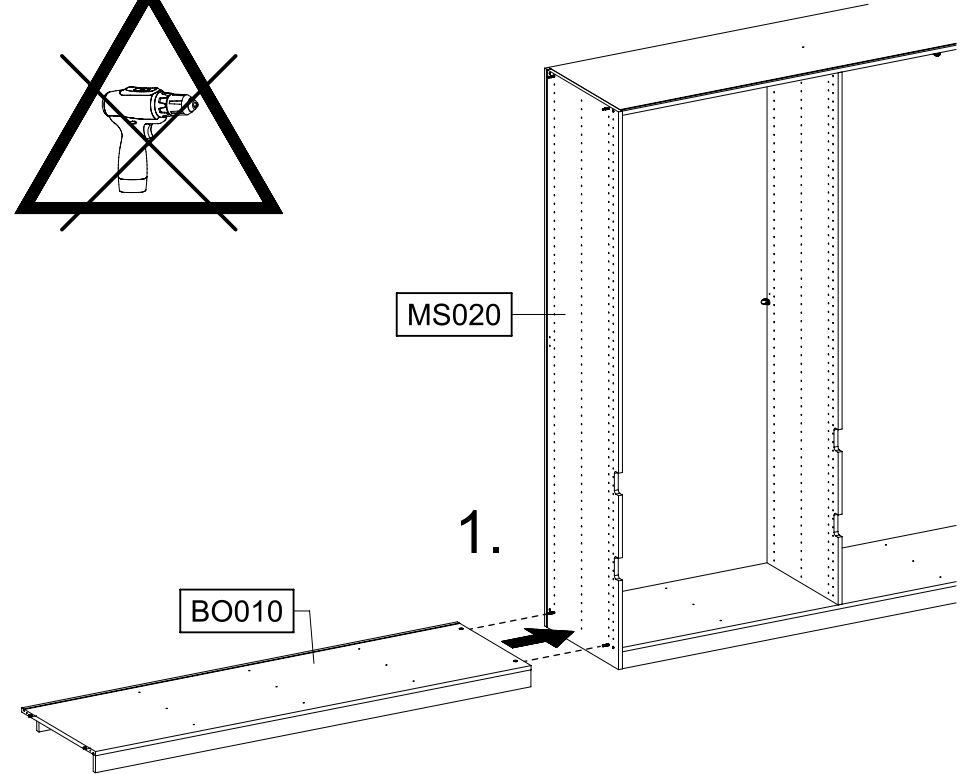
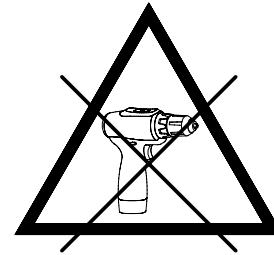
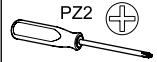


BO010

173



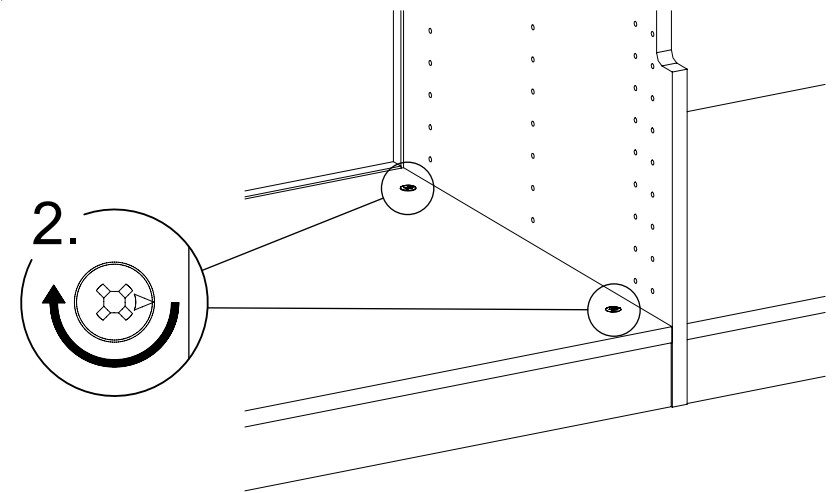
20



MS020

1.

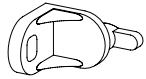
BO010



2.

21

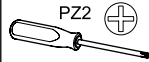
1x ①



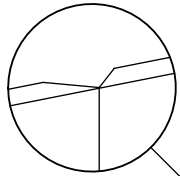
1x ②

779

6,5x12



PZ2



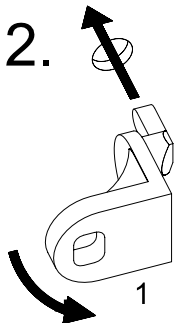
MS020

RW010

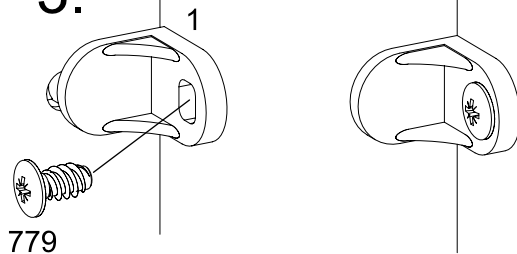
1.

BO010

2.



3.

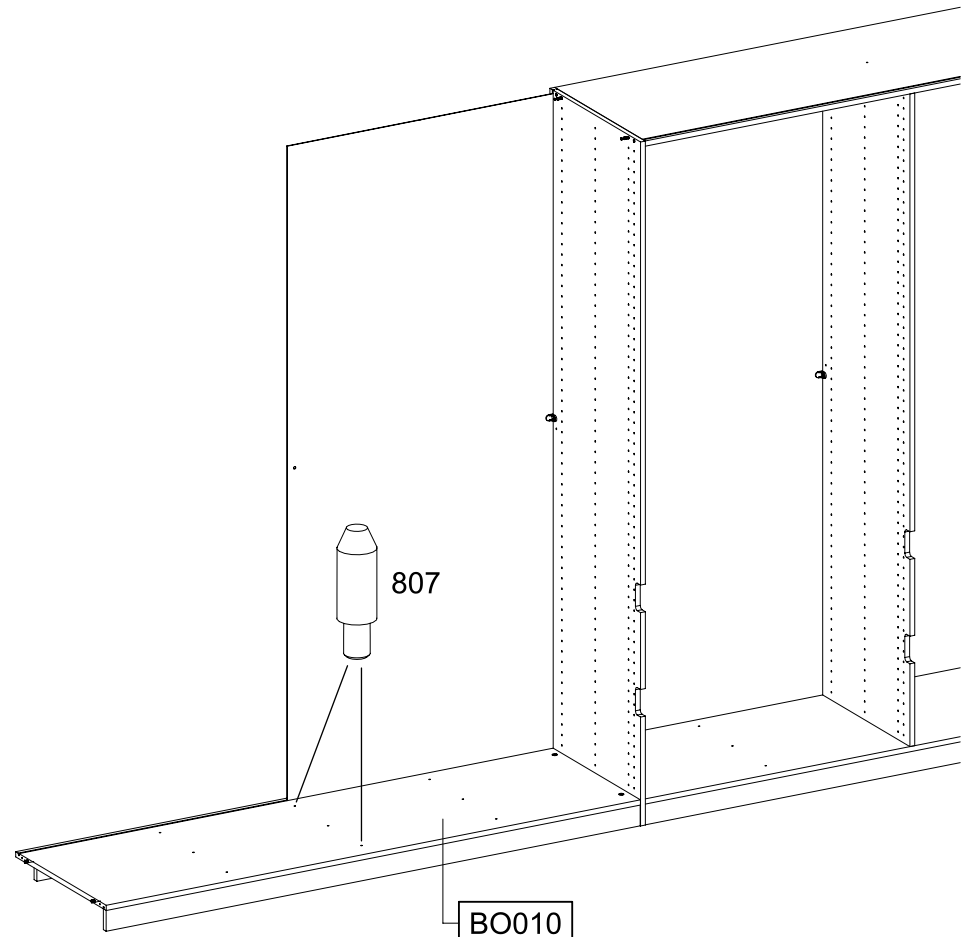


779

22

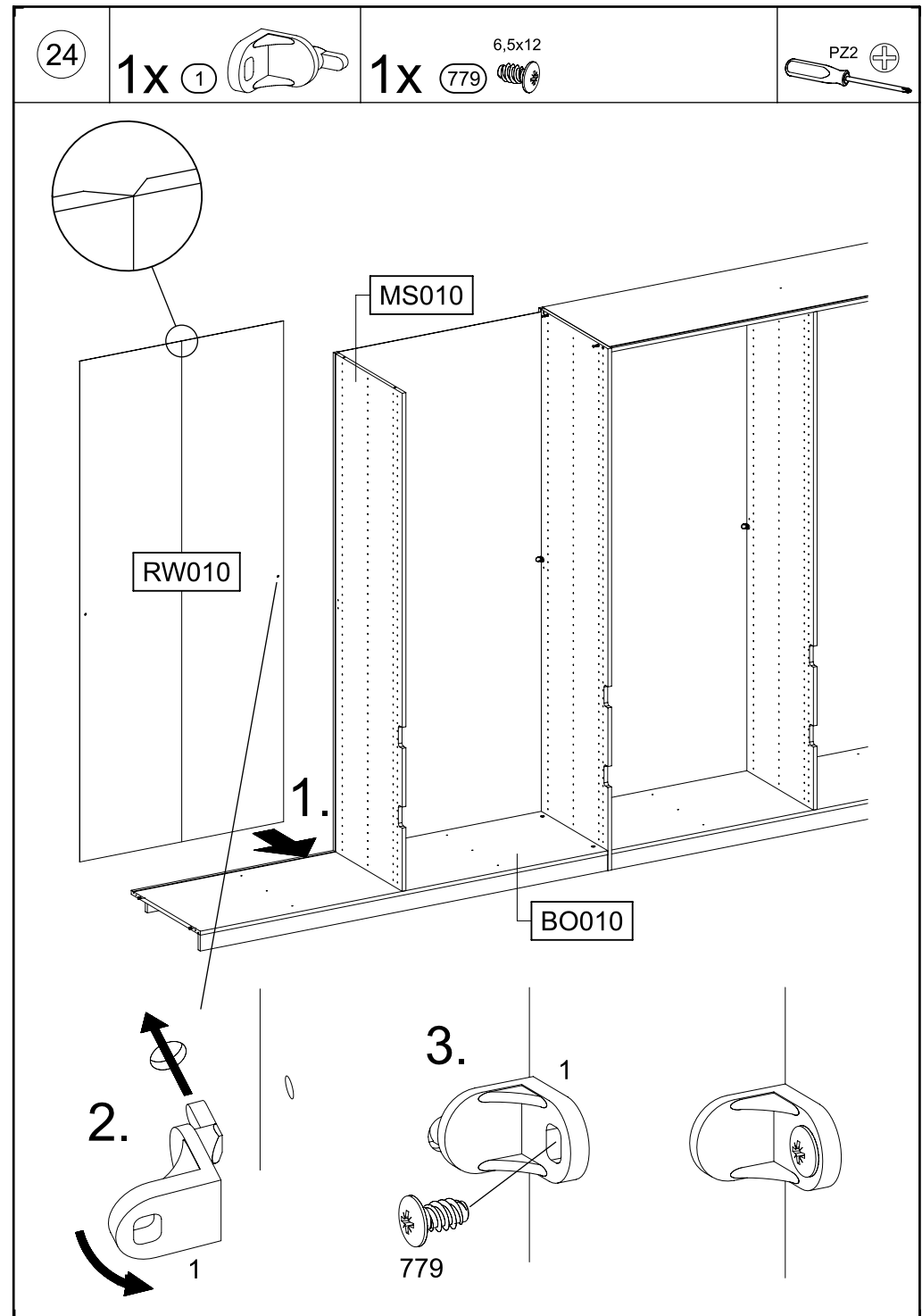
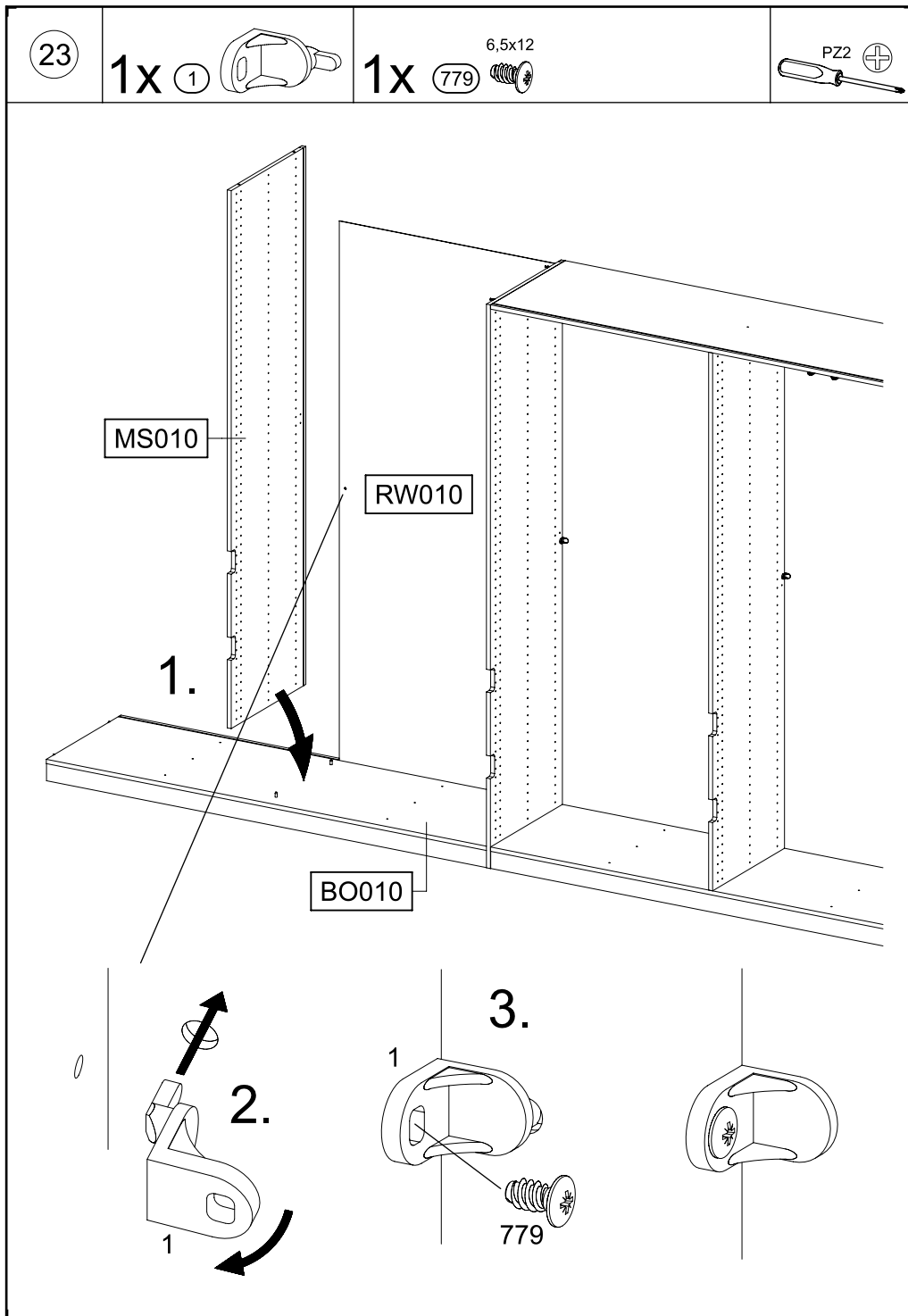
2x ③

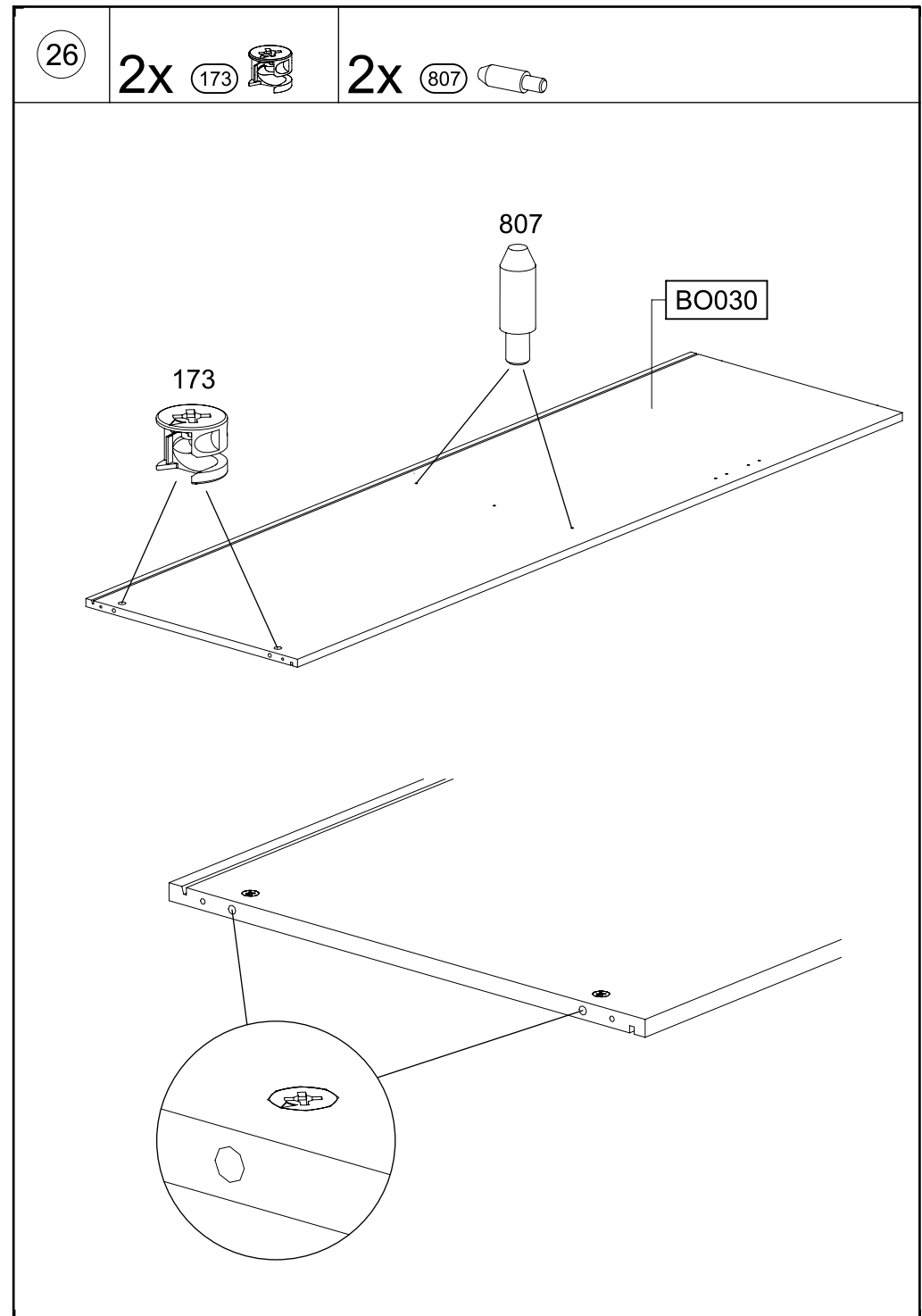
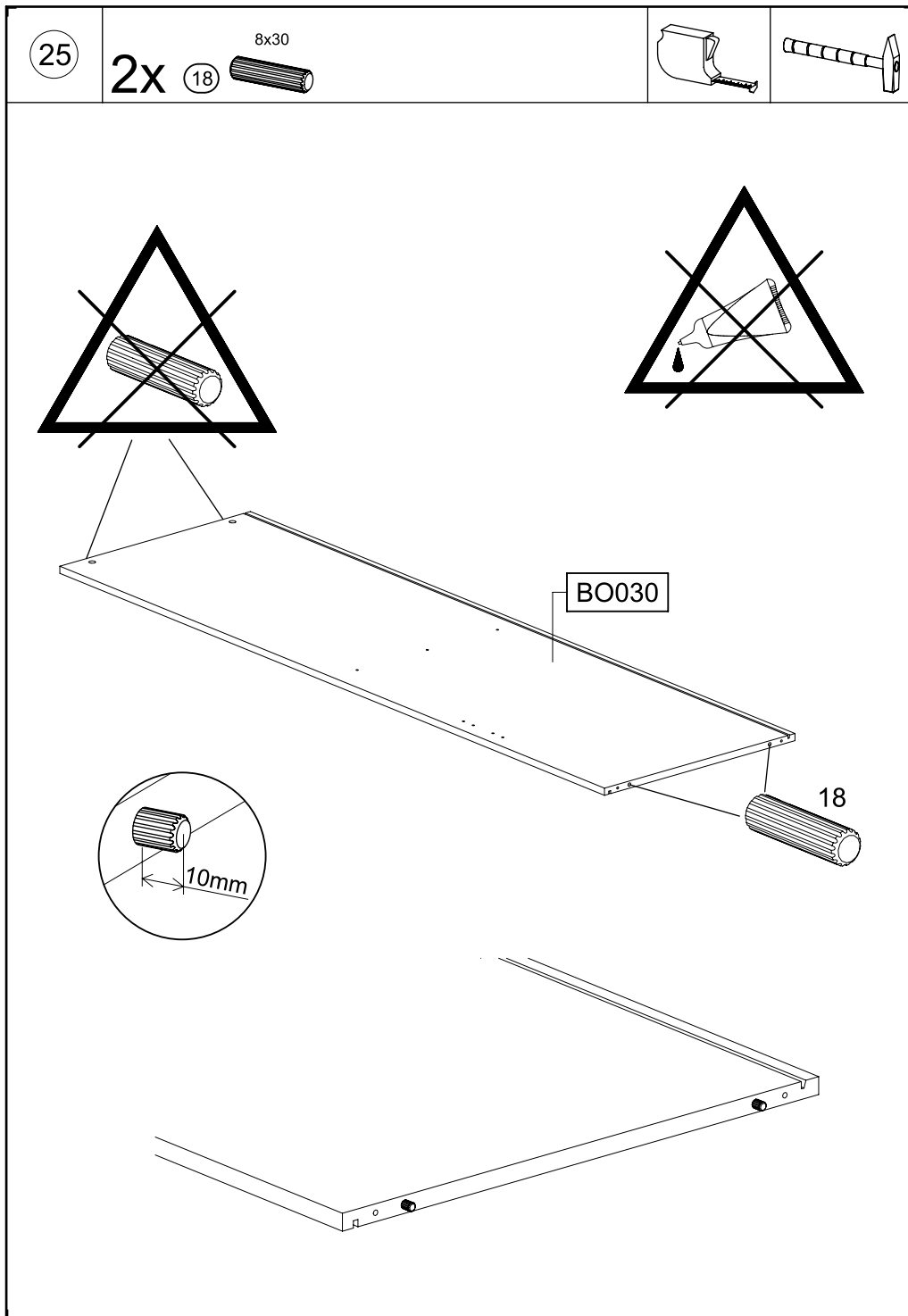
807



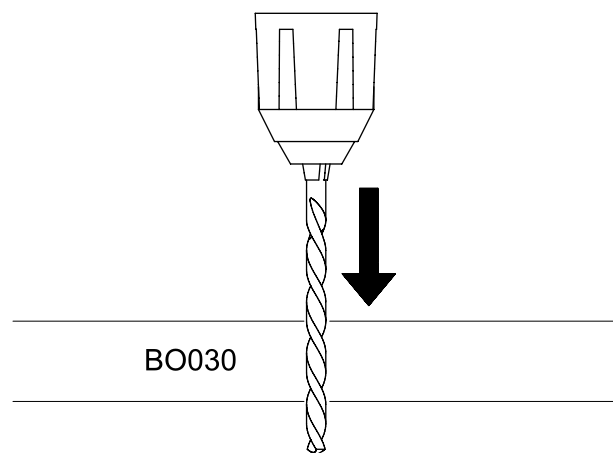
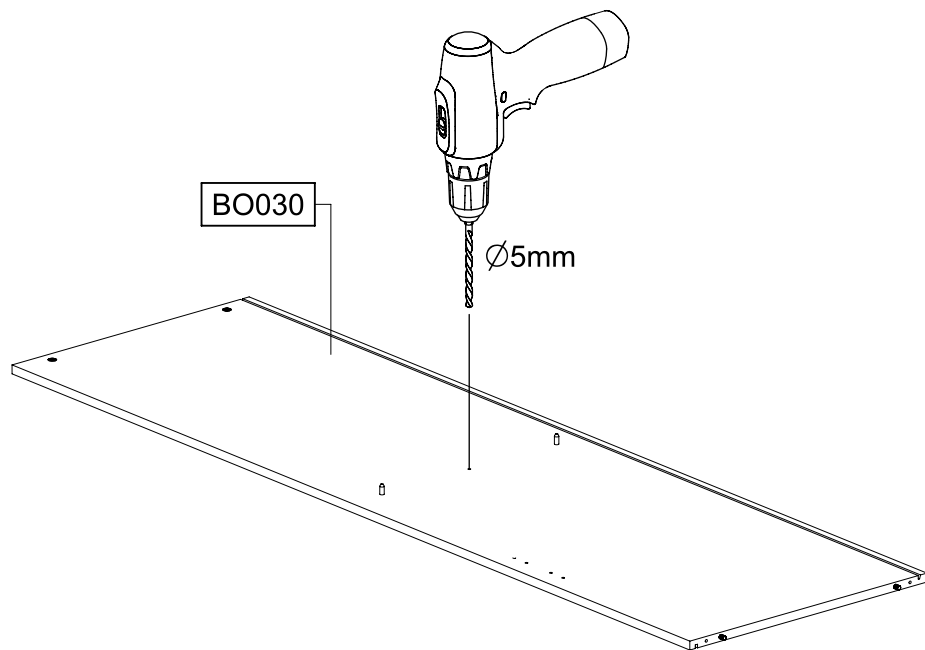
807

BO010



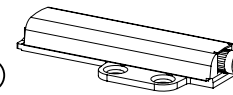


27



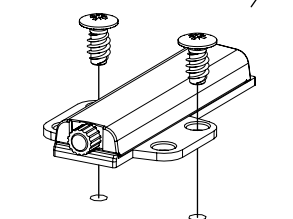
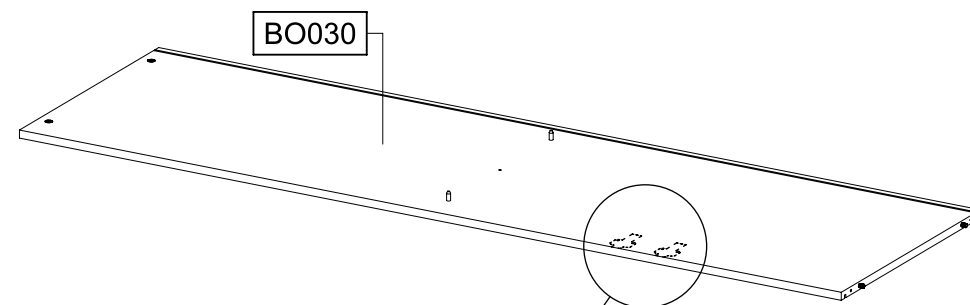
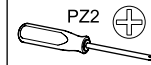
28

2x (482)

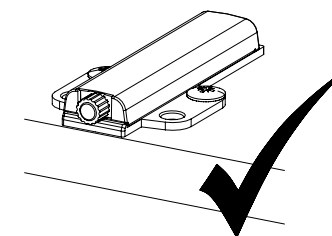


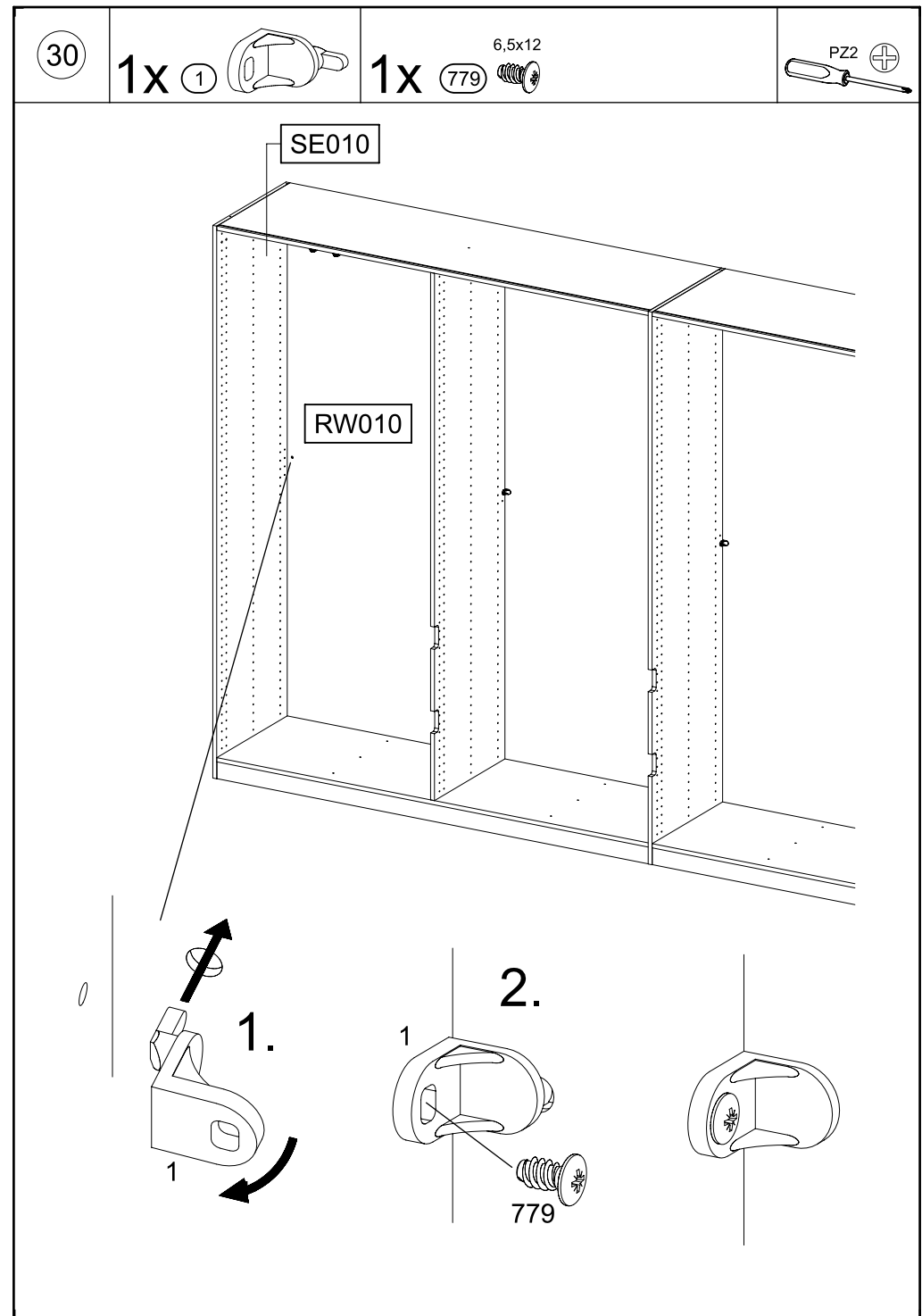
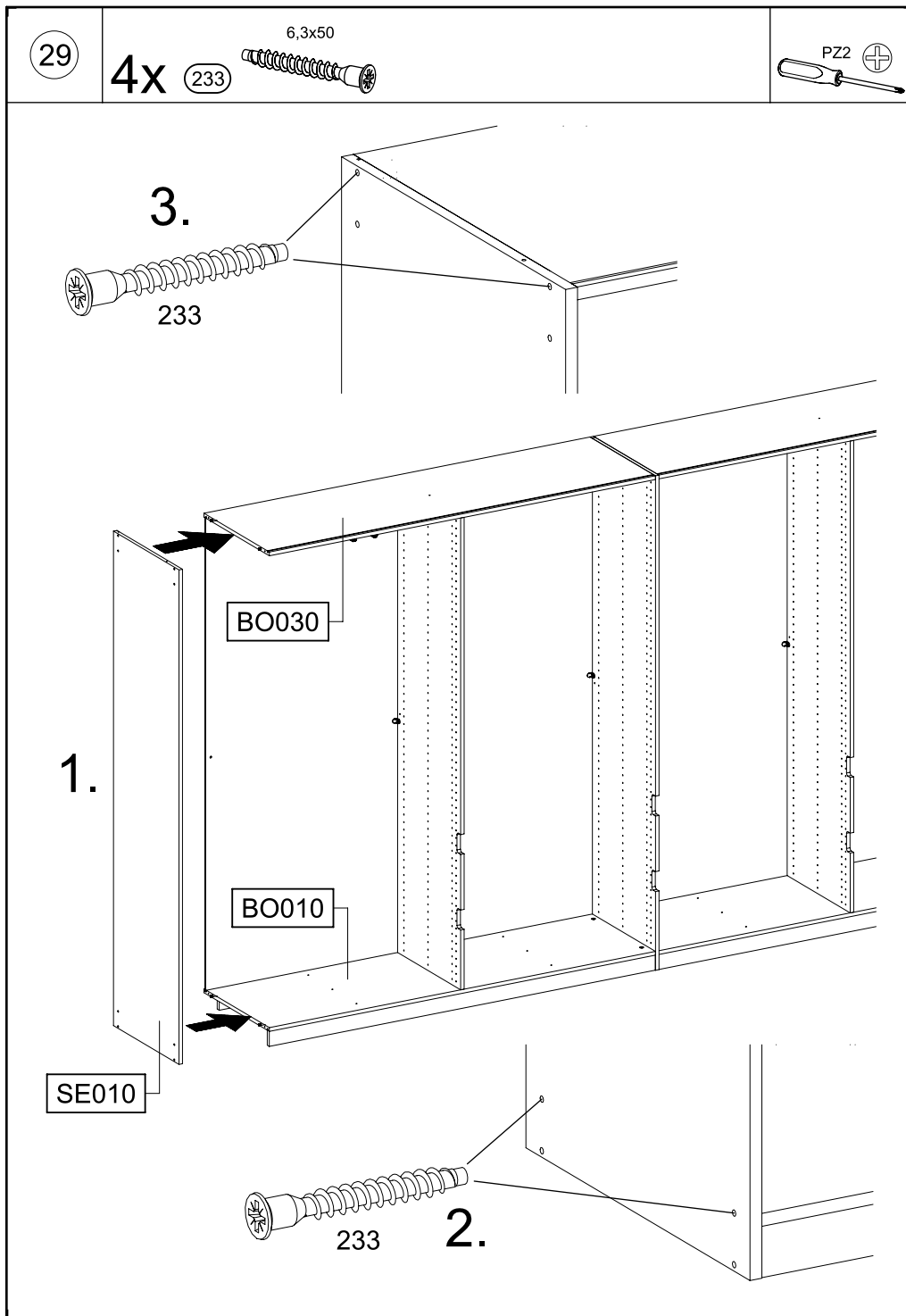
4x (779)

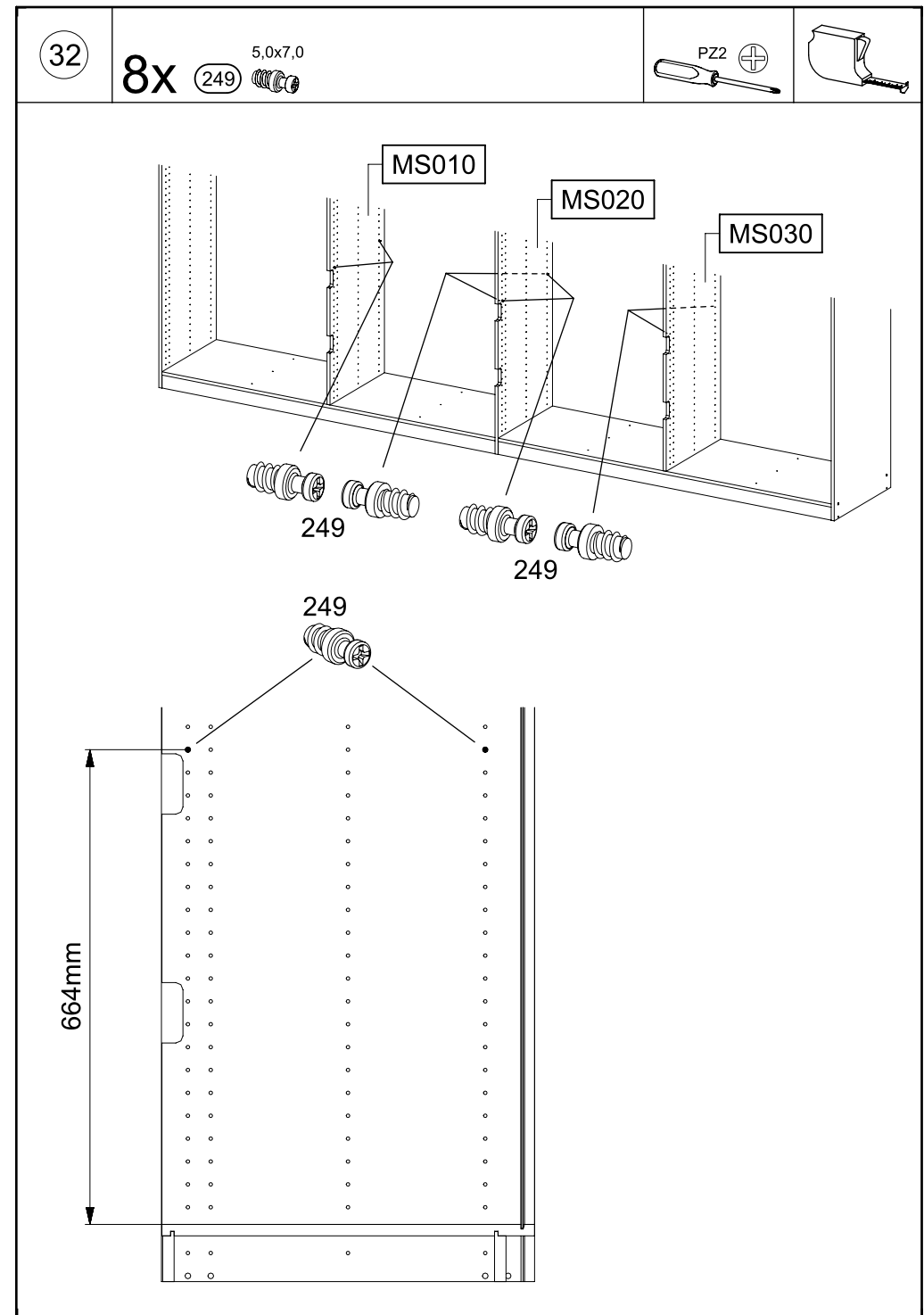
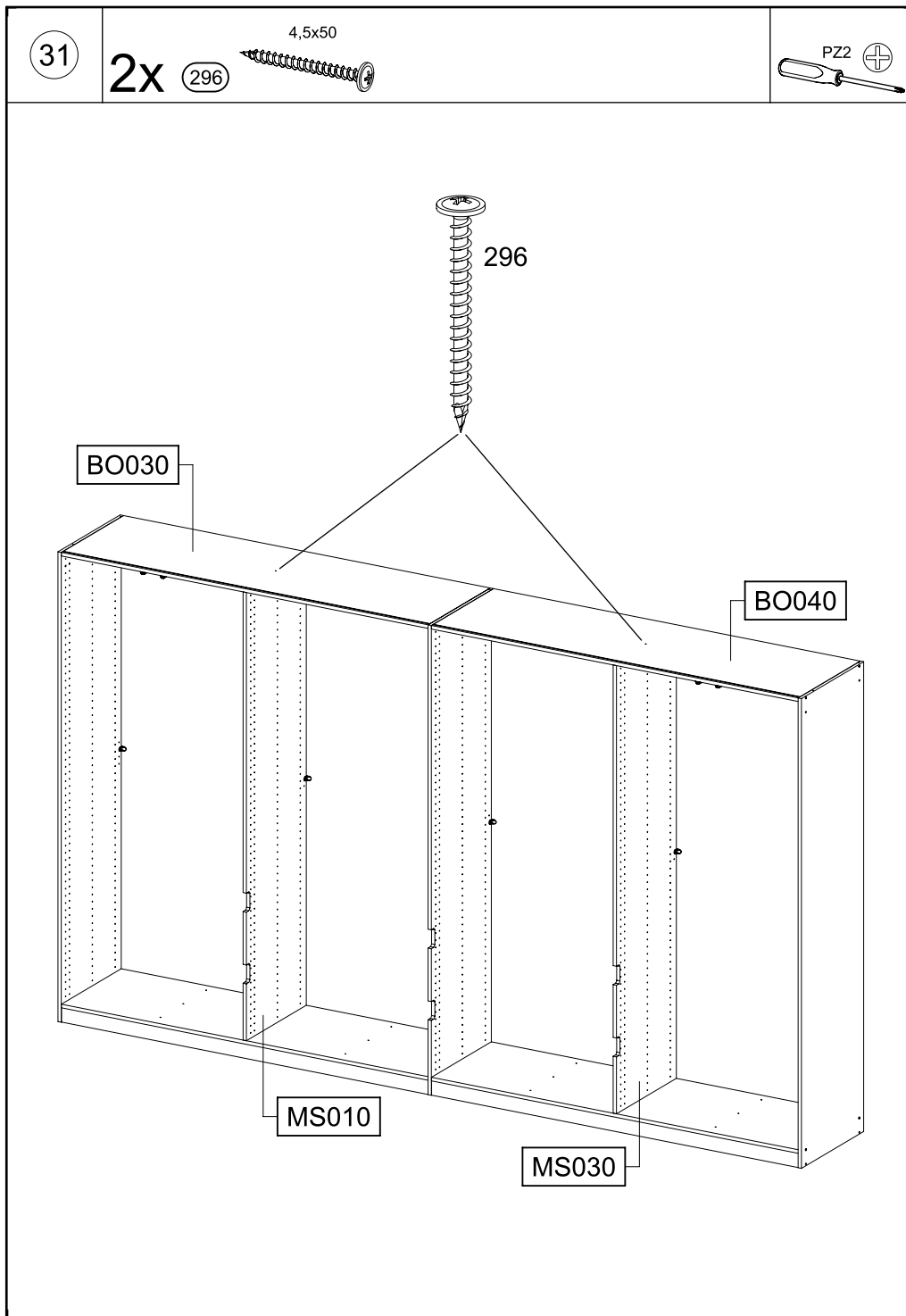
6,5x12

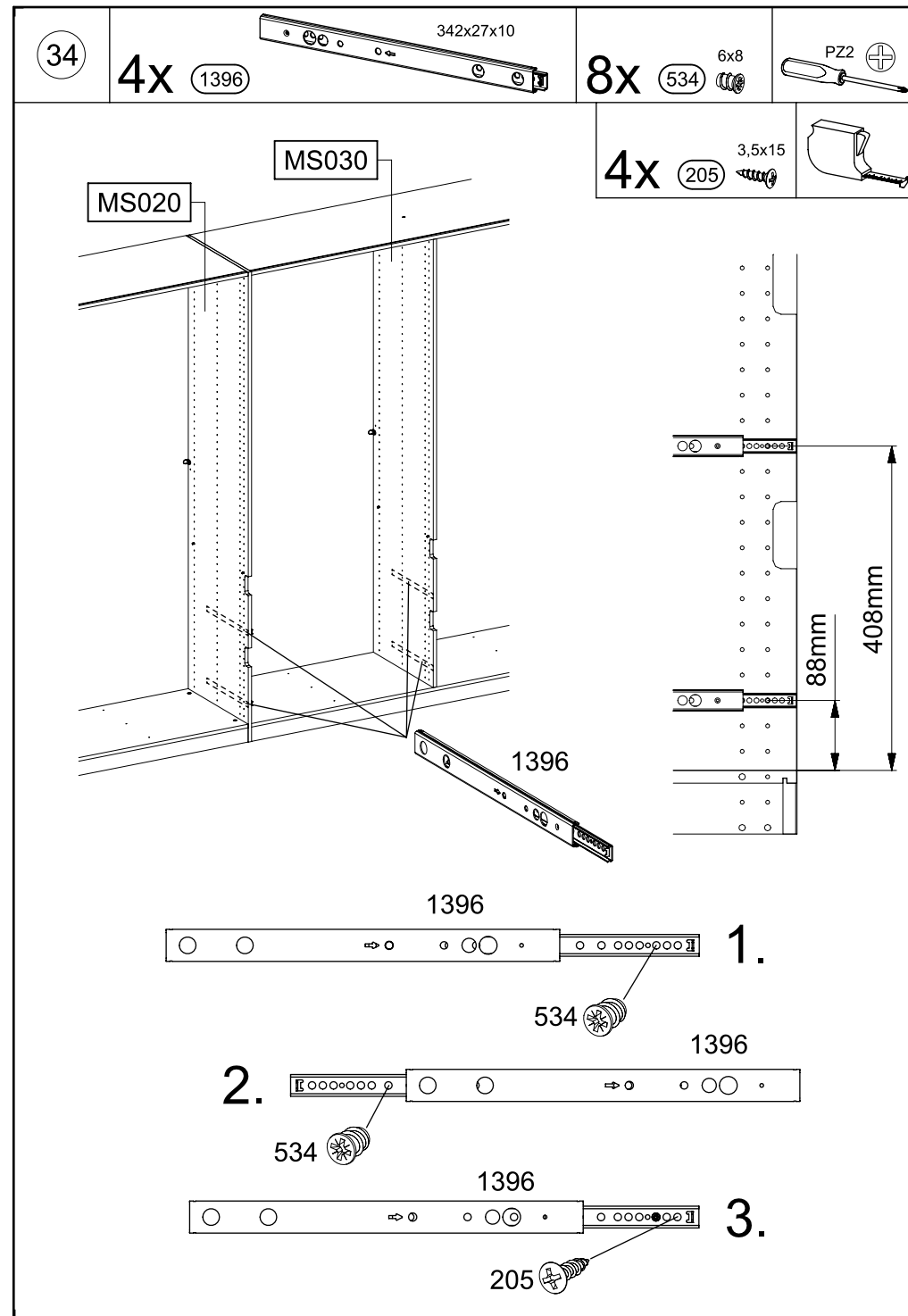
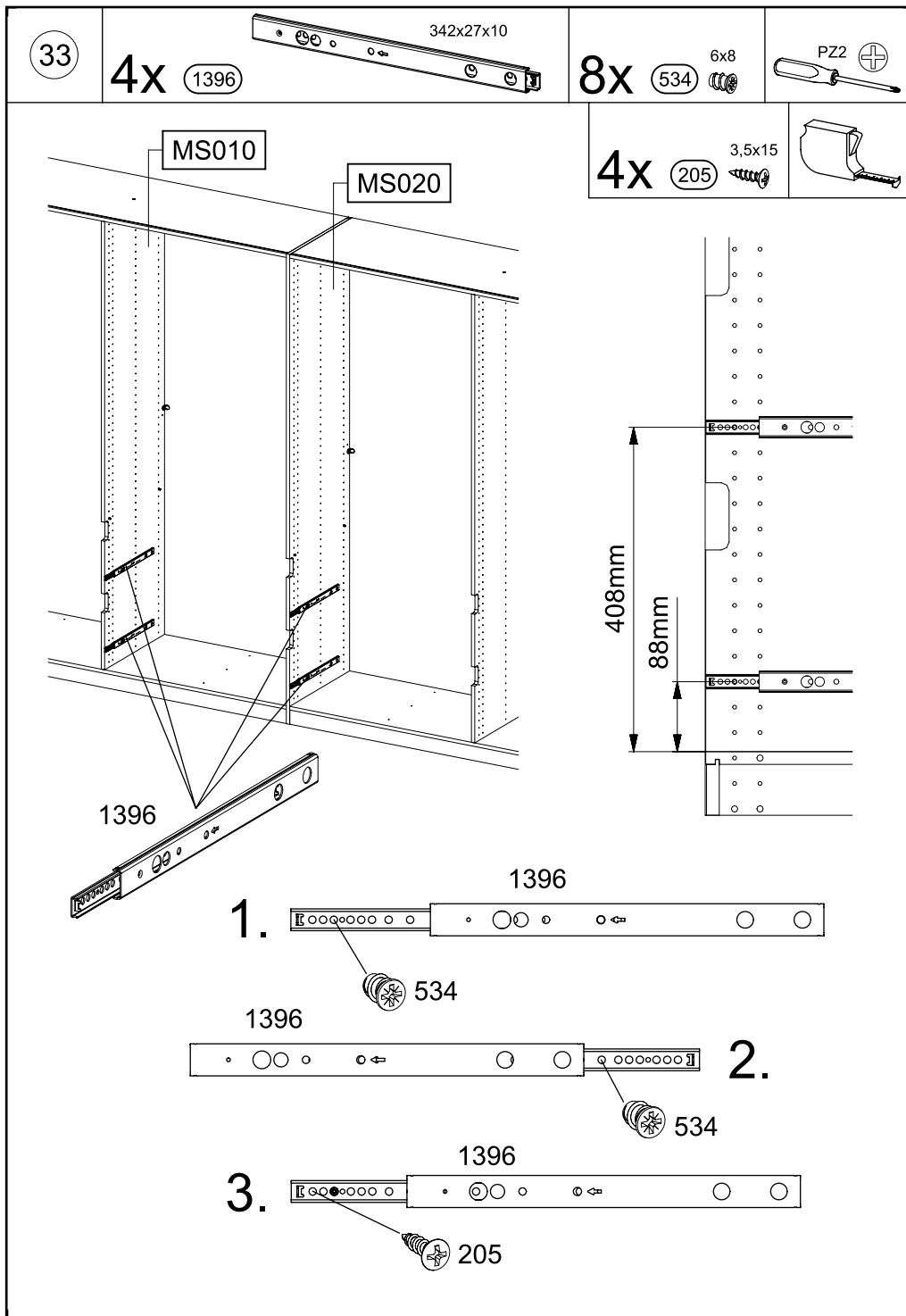


BO030









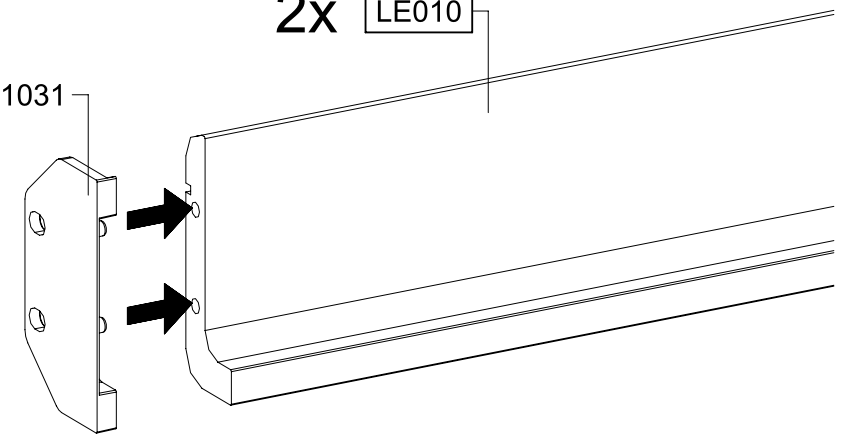
35

4x 1031



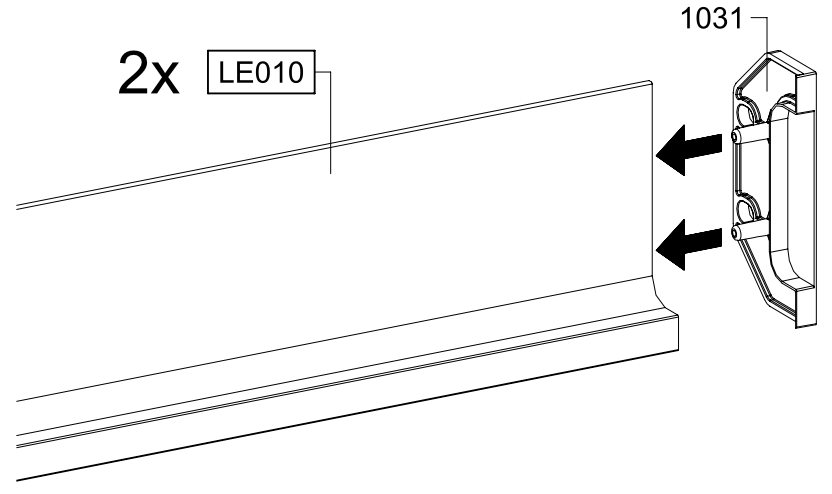
2x LE010

1031



2x LE010

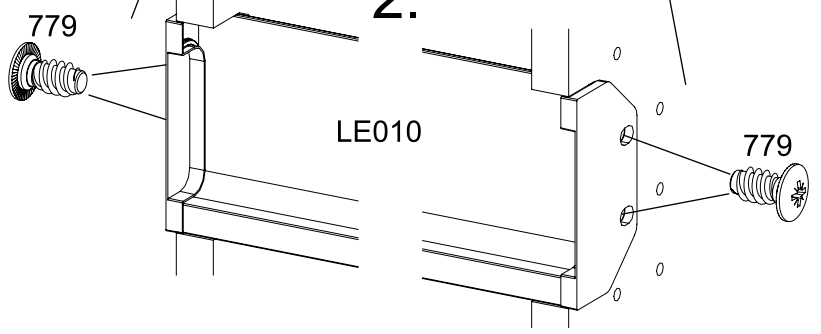
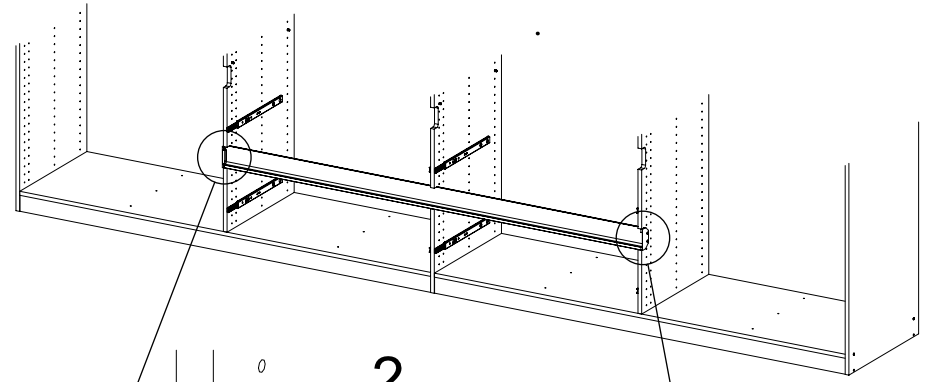
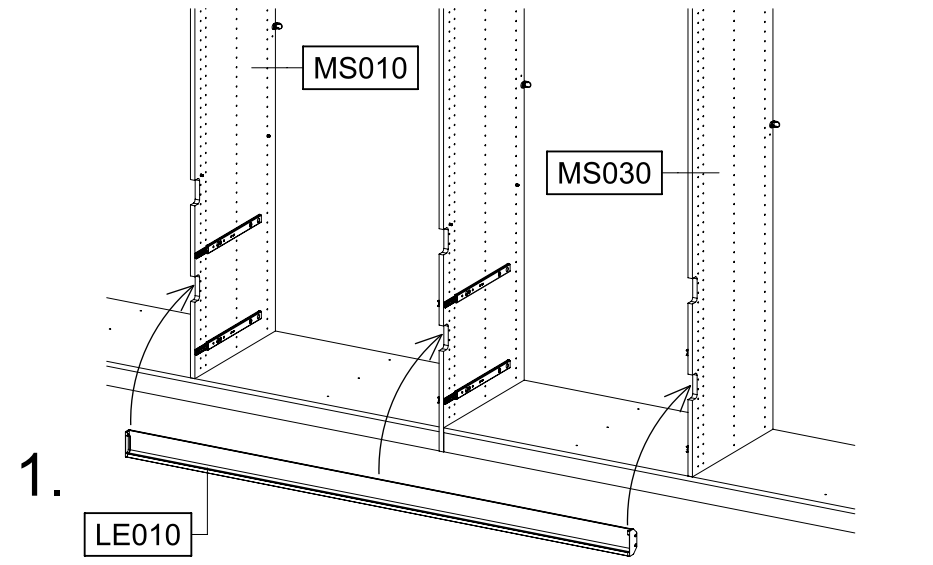
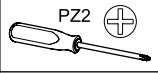
1031



36

4x 779

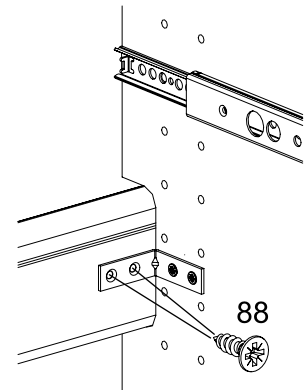
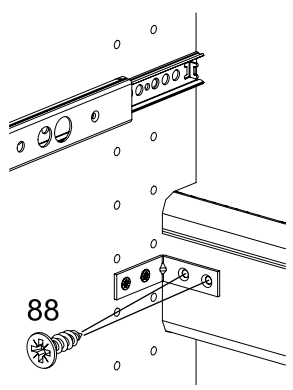
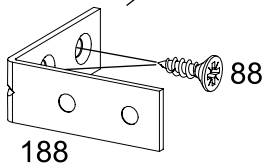
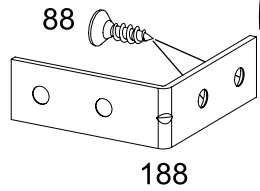
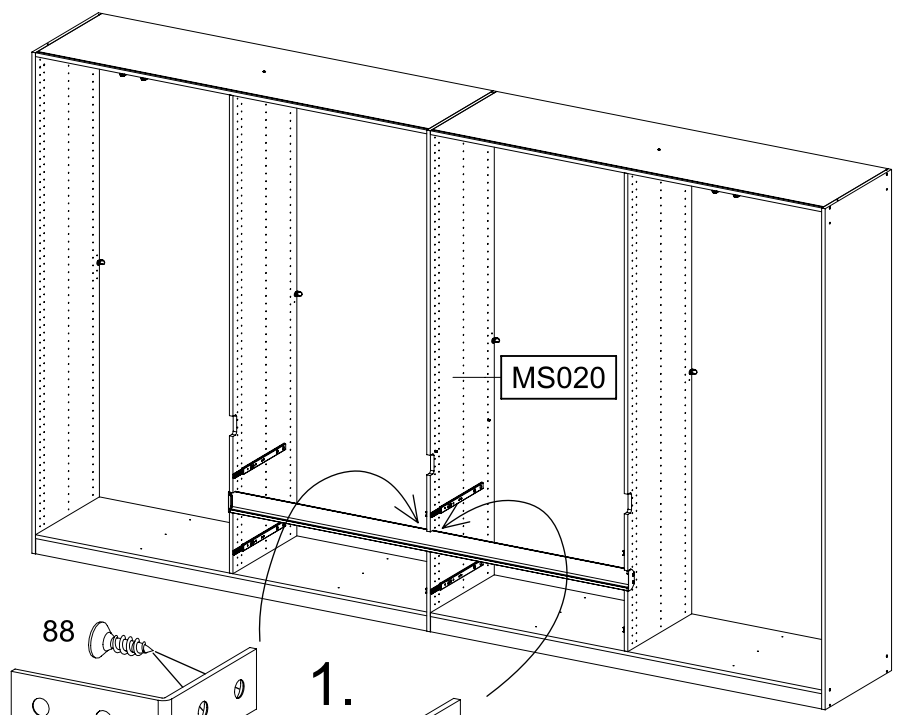
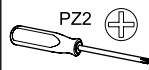
6,5x12



37

8x 3,5x12 88

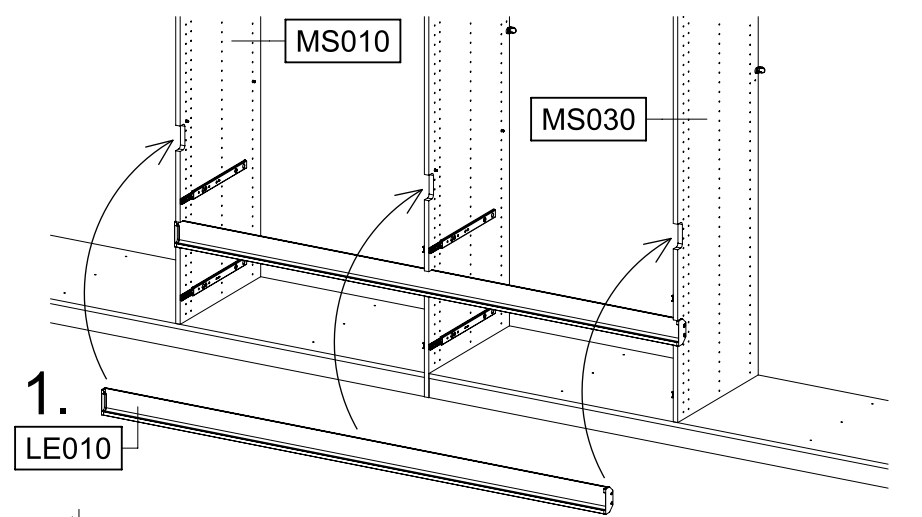
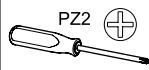
2x 40x40x2,0 188



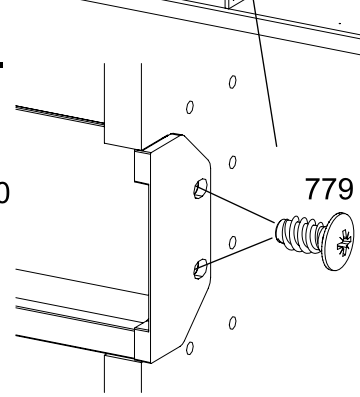
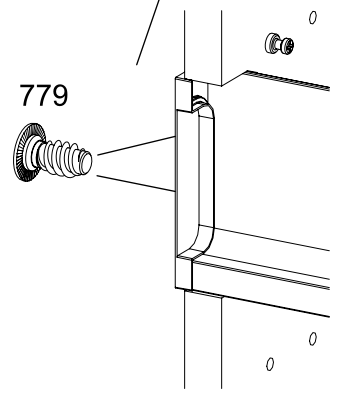
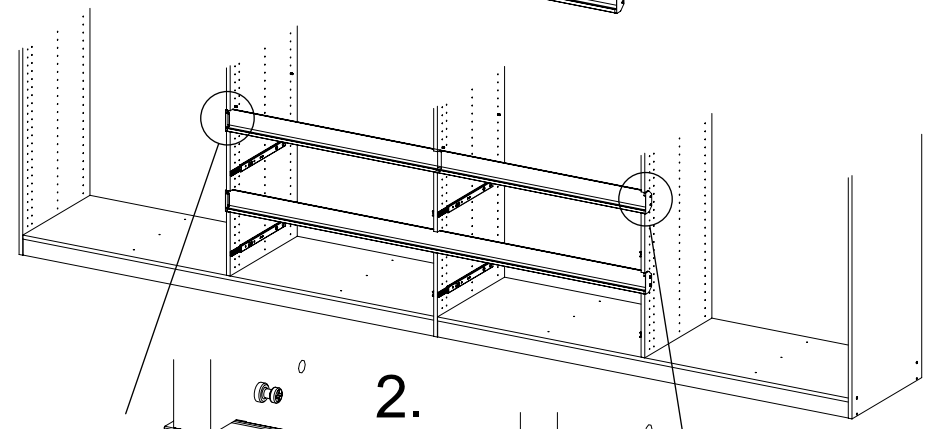
2.

38

4x 6,5x12 779



1. LE010

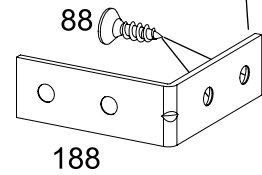
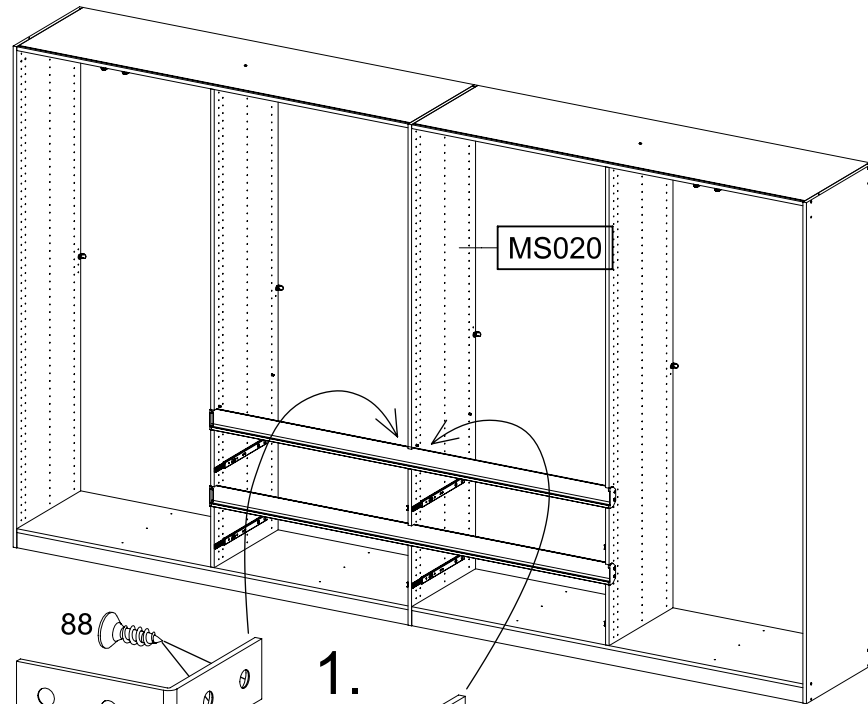
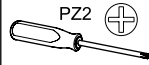


2.

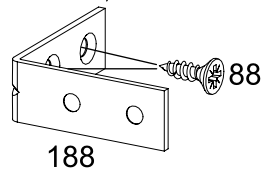
39

8x 3,5x12 88

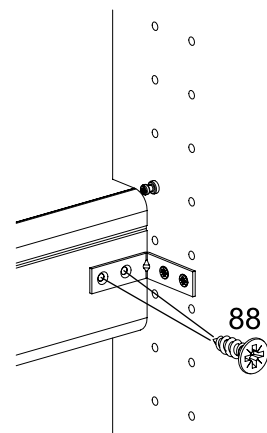
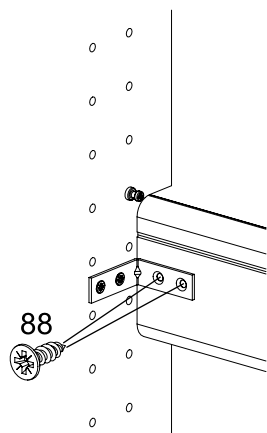
2x 40x40x2,0 188



1.

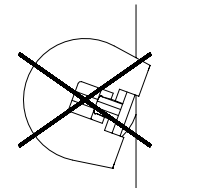
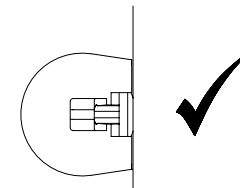
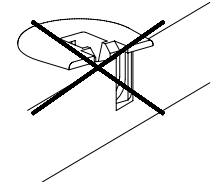
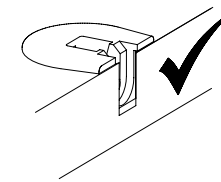
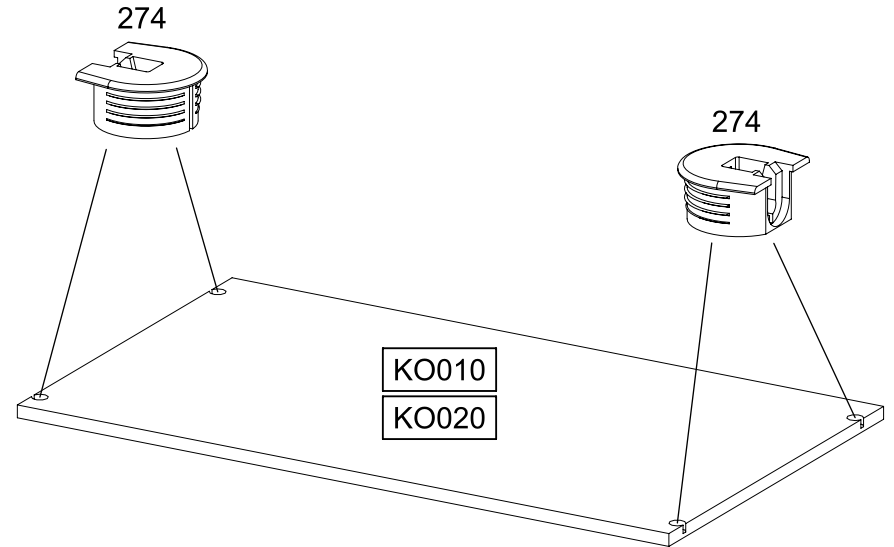
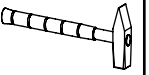


2.

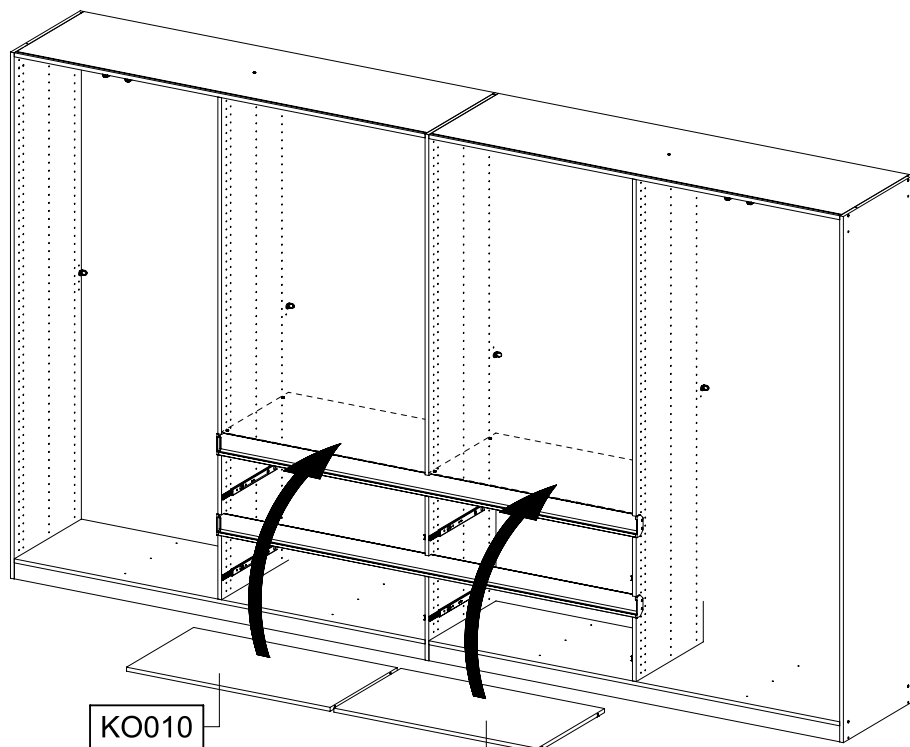


40

8x 274

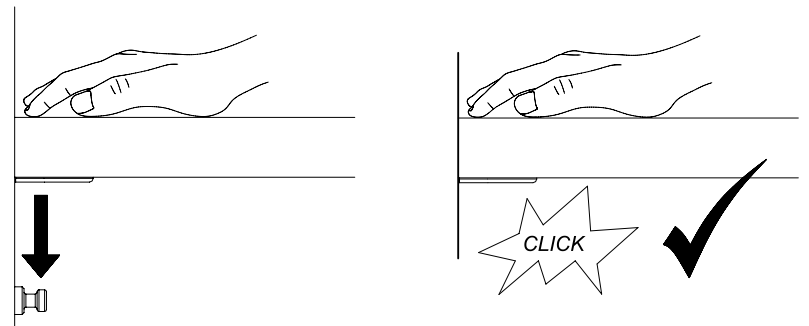


41



KO010

KO020

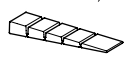


42

0-3x

12

55x16x6,2



4x

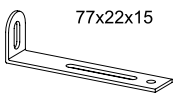
201

4x15



2x

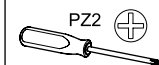
68



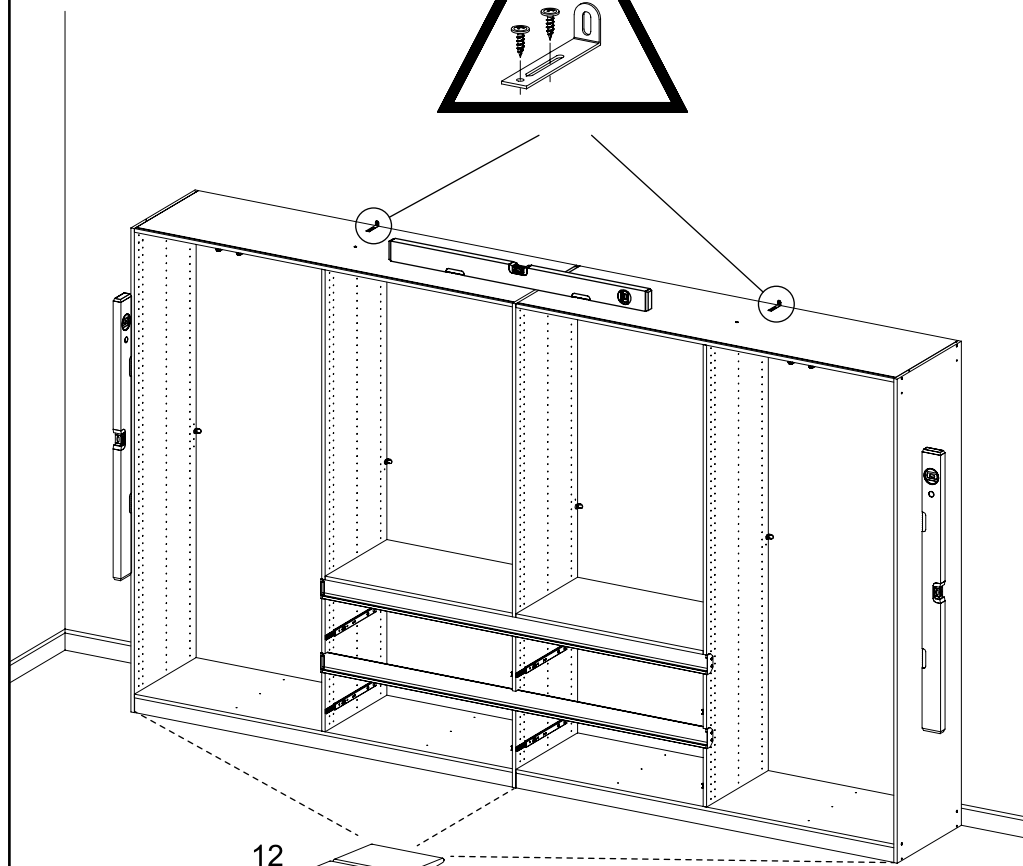
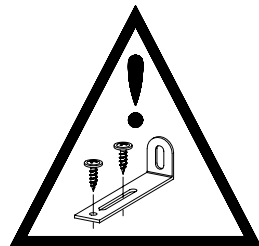
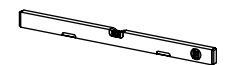
77x22x15



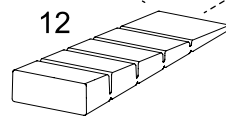
SCAN ME



PZ2



12



43

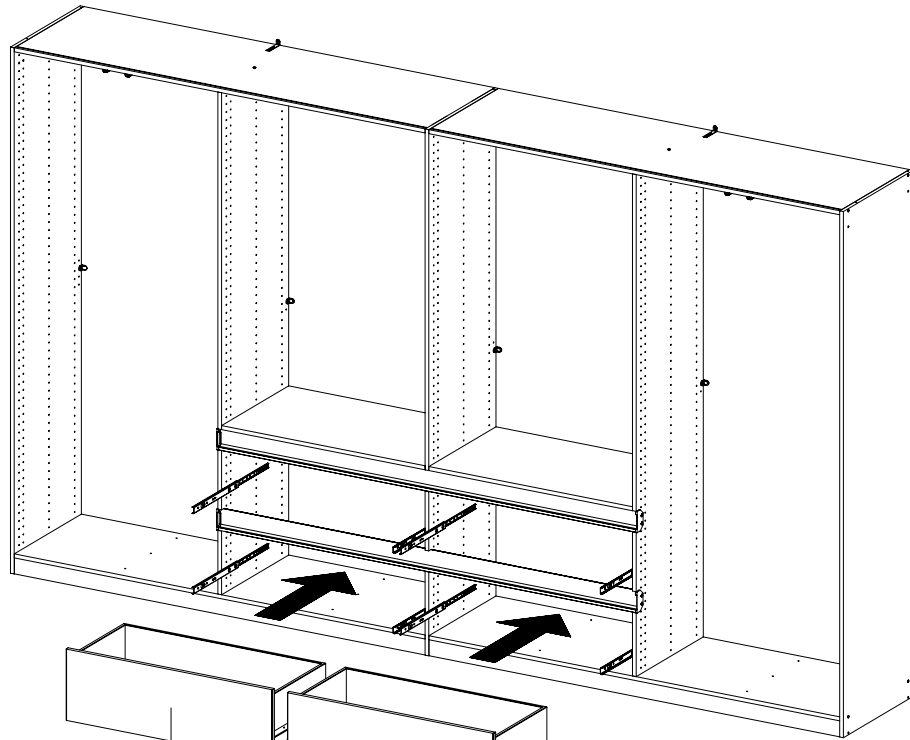
8x

568

M4x9



PZ2

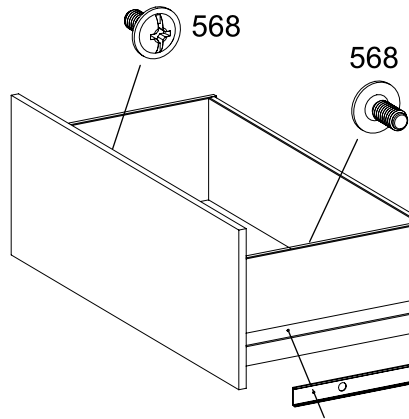


SK010

SK030

SK020

SK040

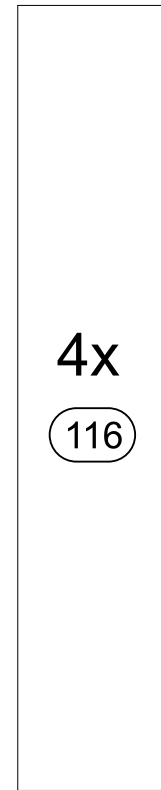
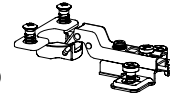


568

568

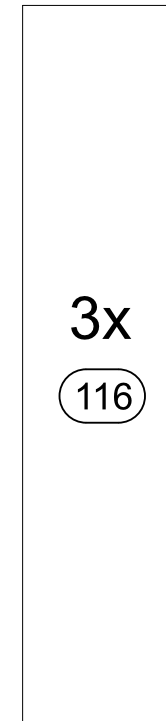
44

116



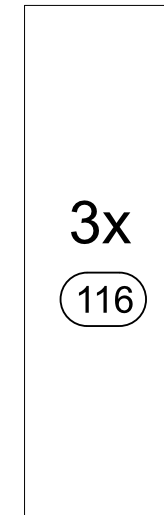
4x

116



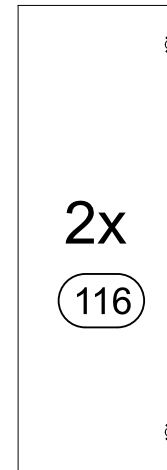
3x

116



3x

116

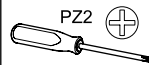
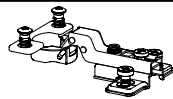


2x

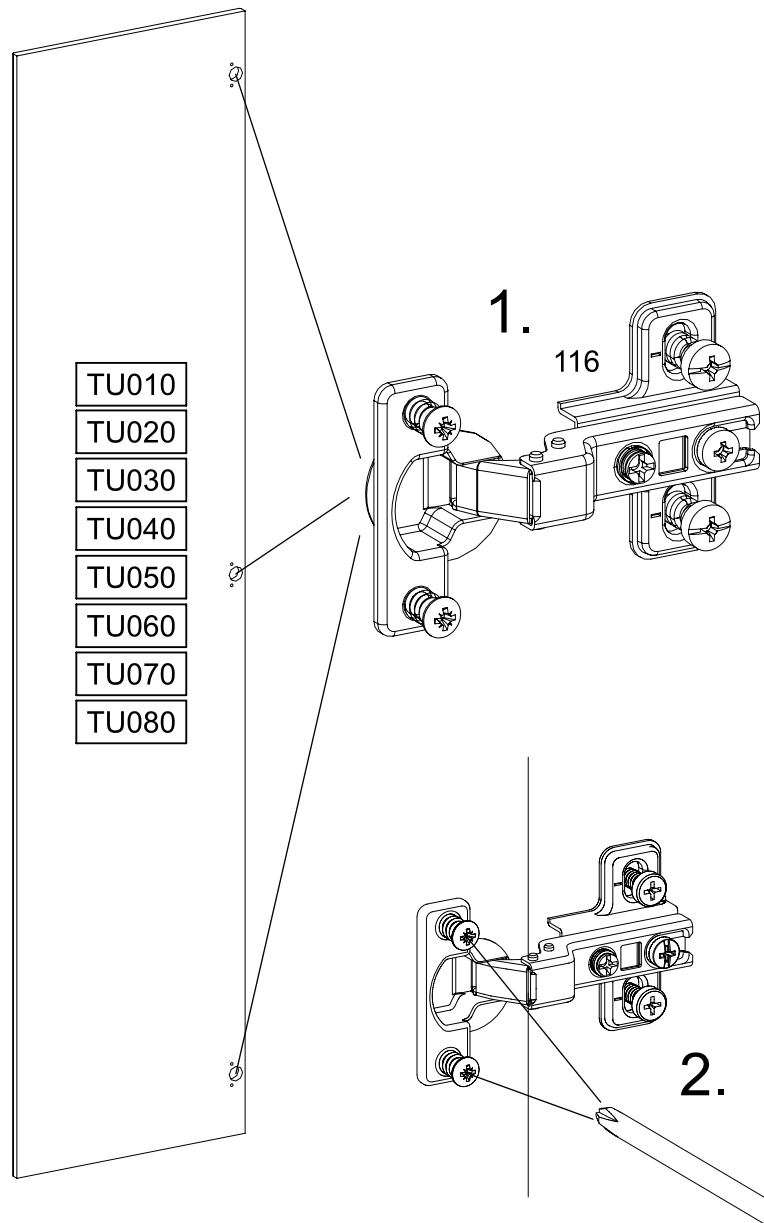
116

45

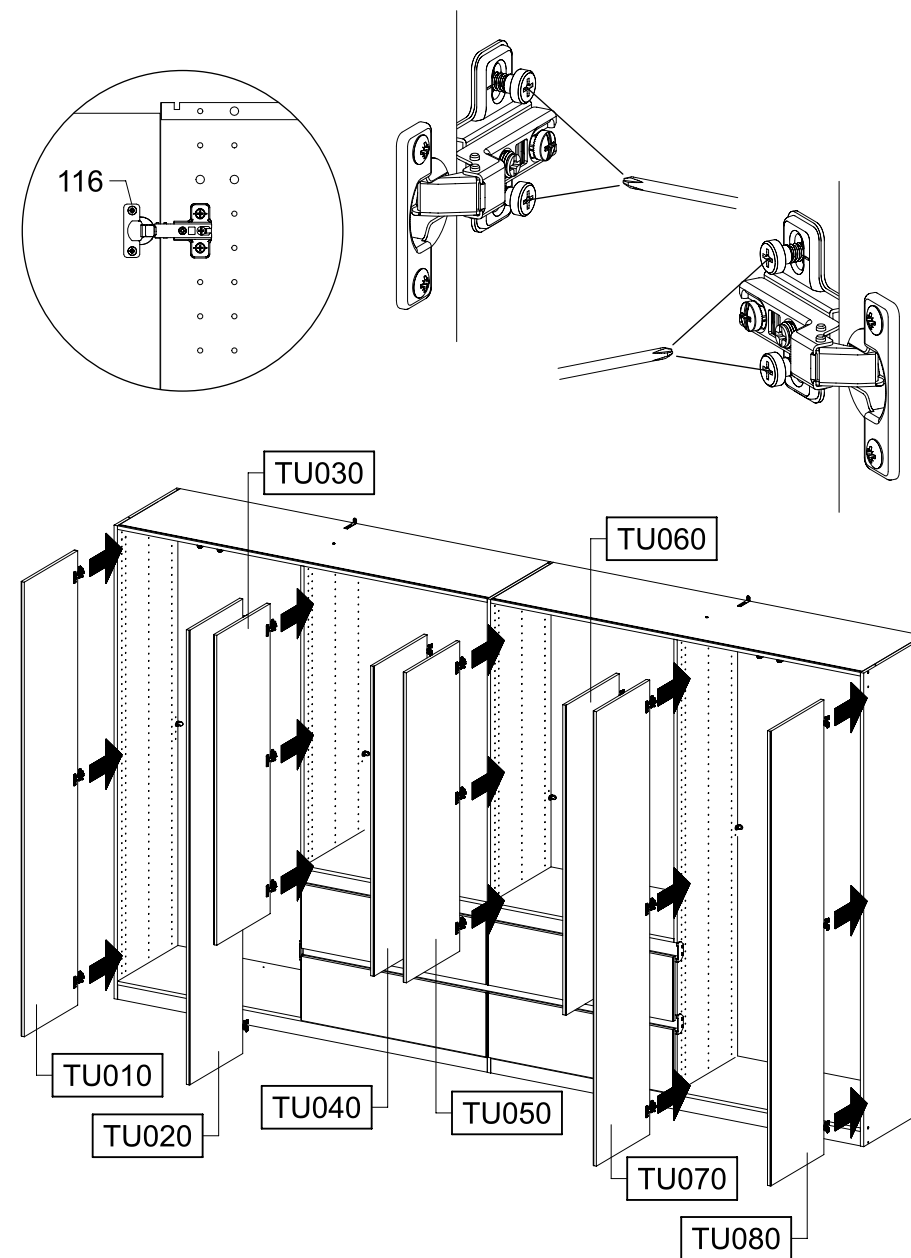
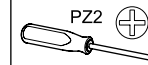
24x 116



SCAN ME

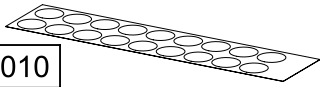


46

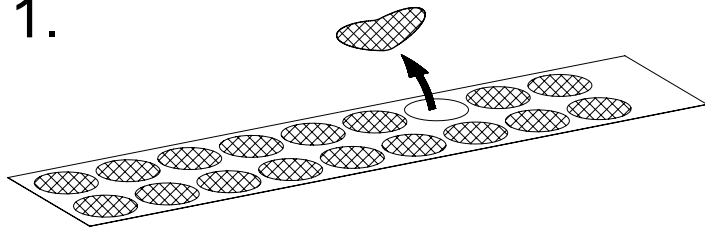


47

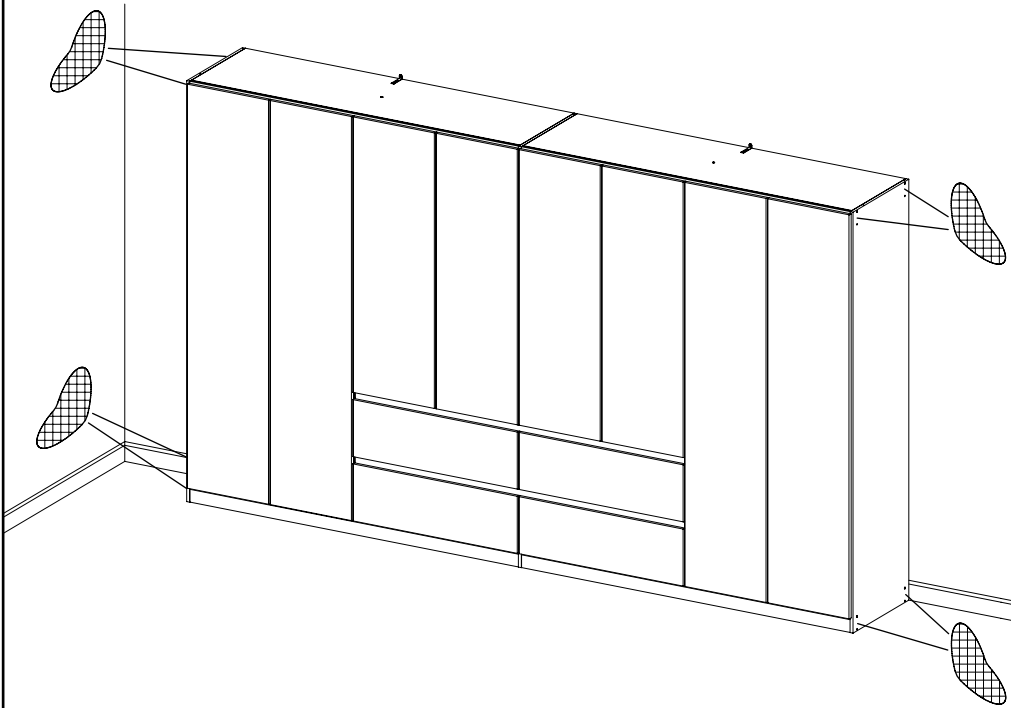
1x RE010



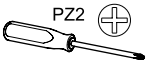
1.



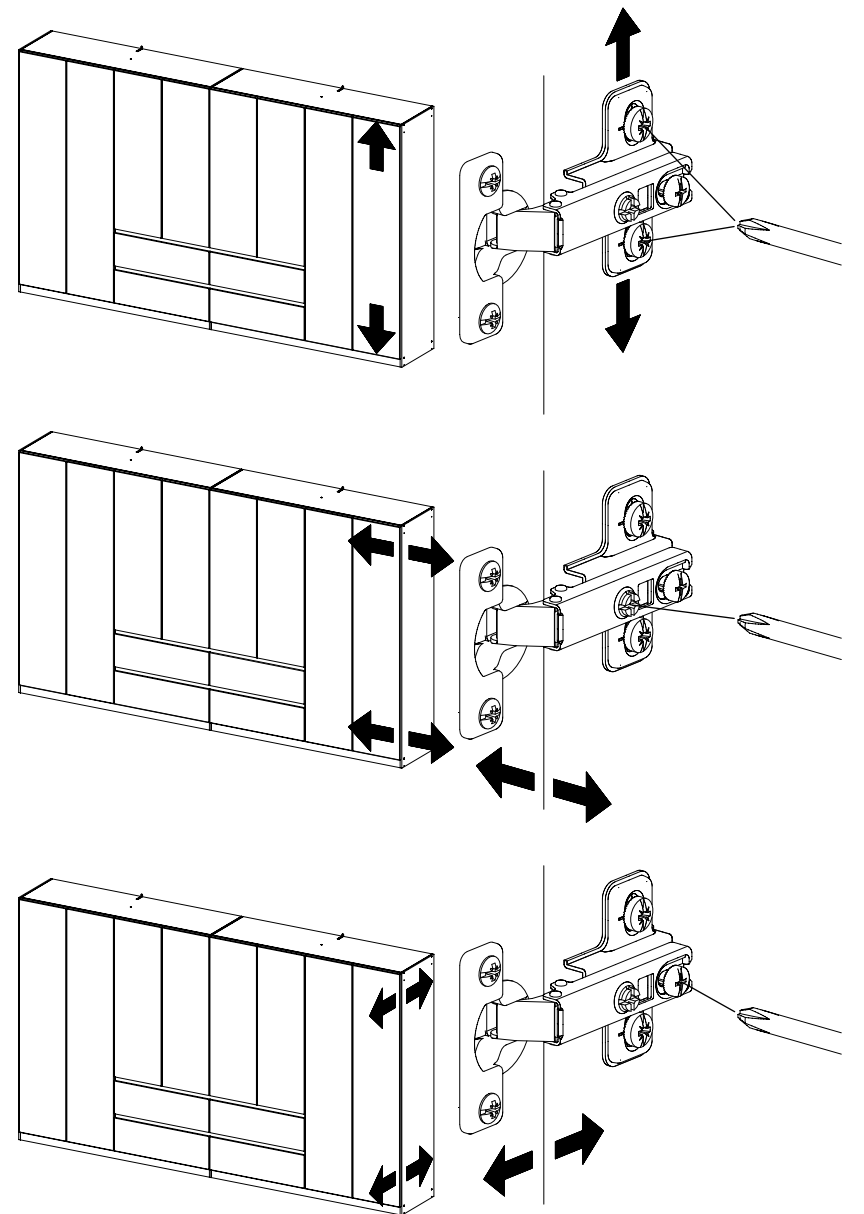
2.



48



SCAN ME



49

