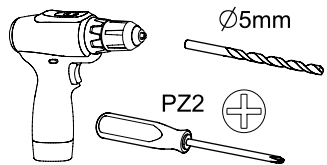
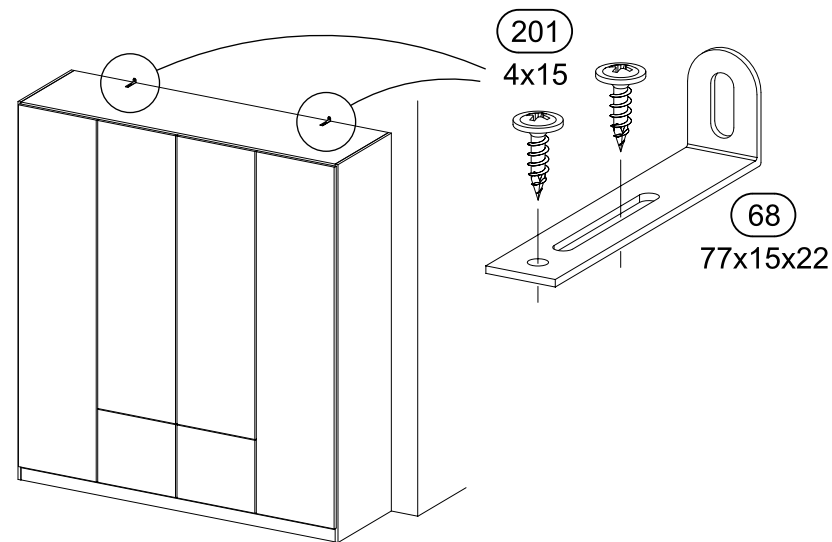
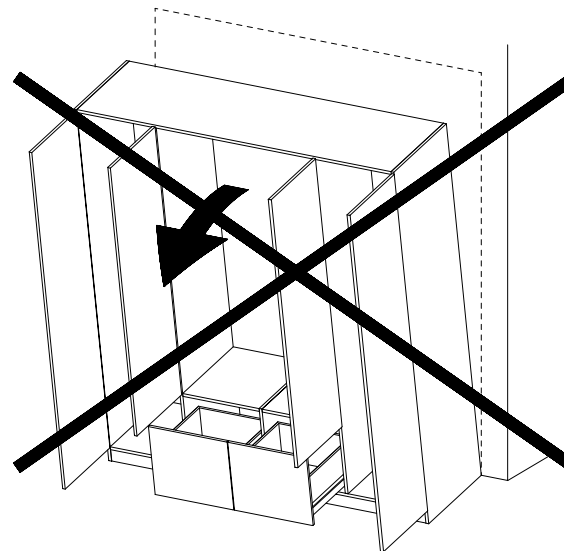
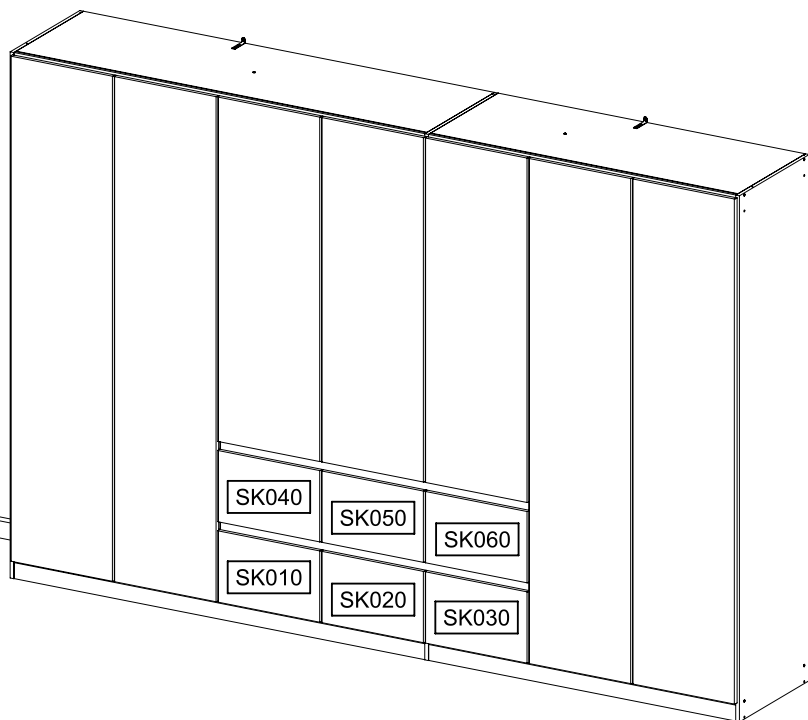
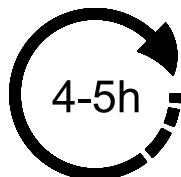


M3182_01



Ø5mm

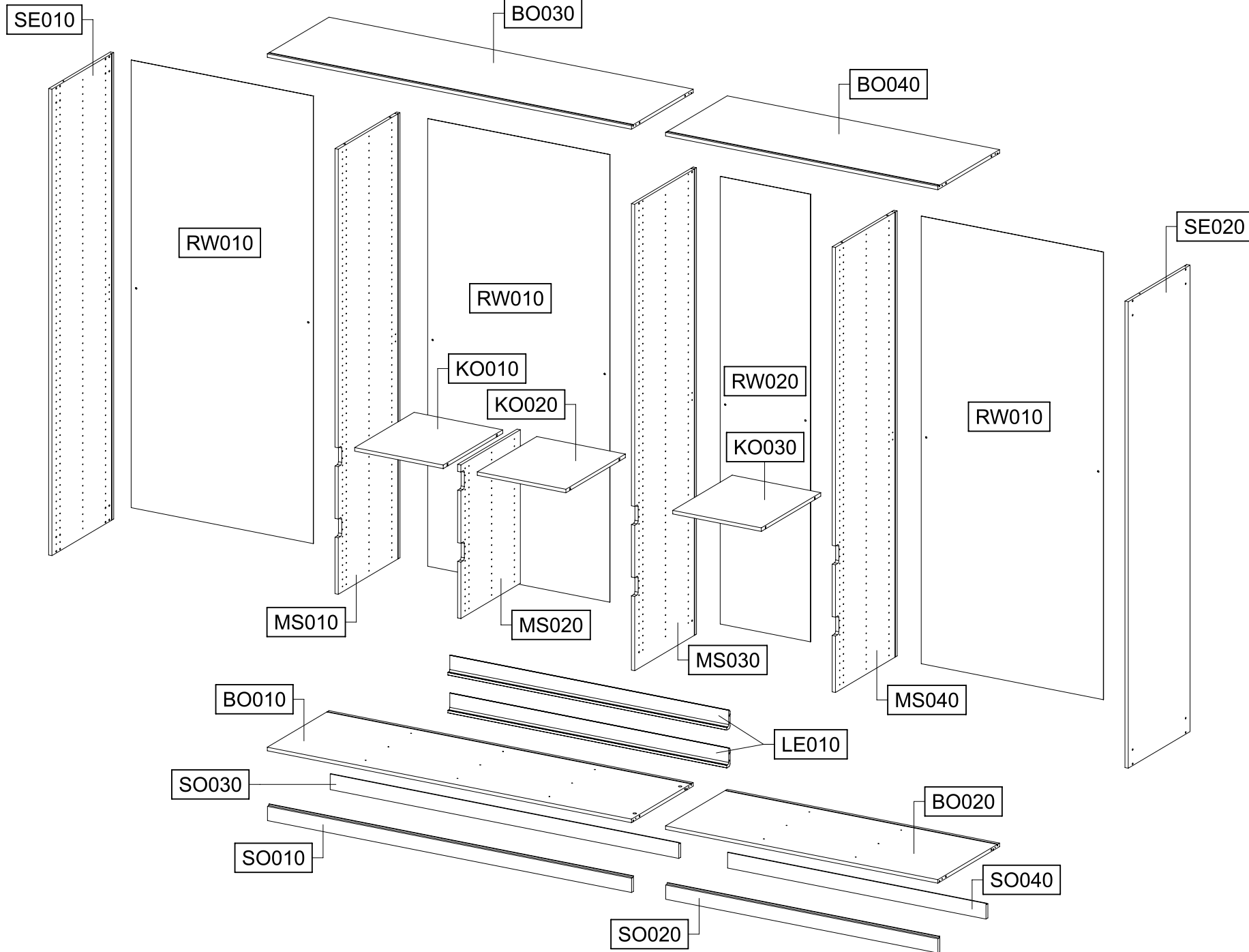
PZ2

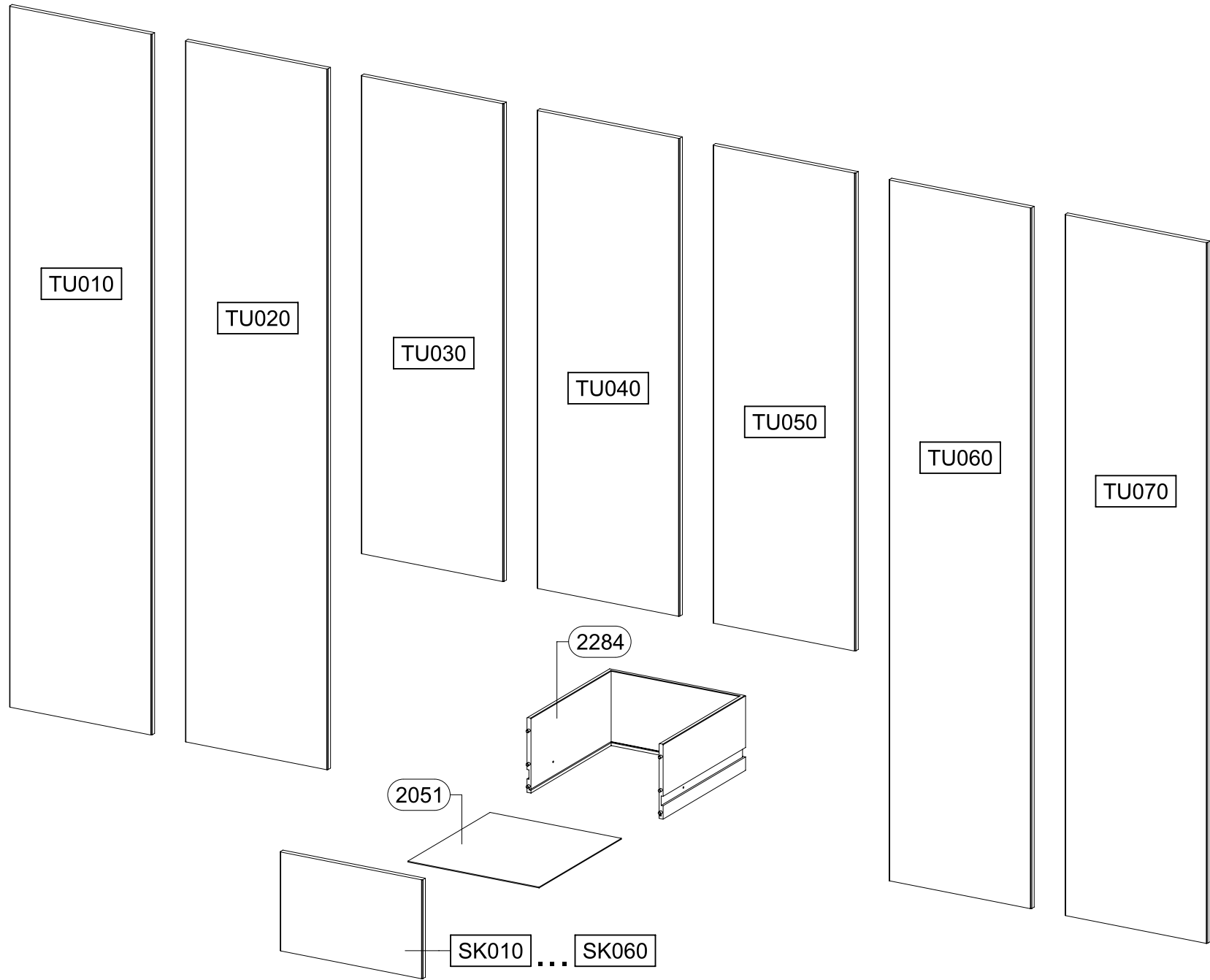


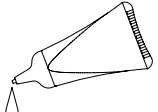
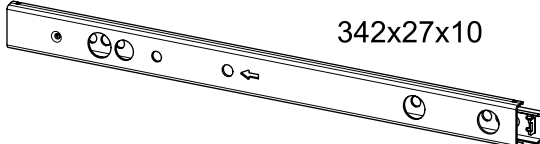
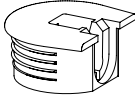
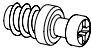
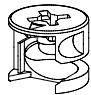

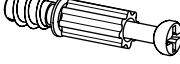
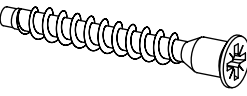





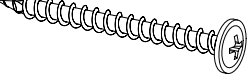
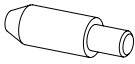
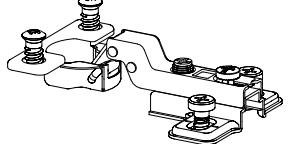

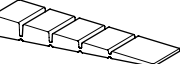
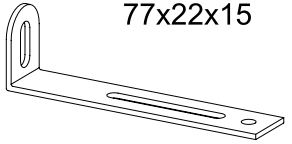

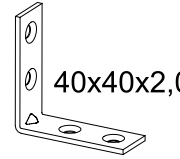
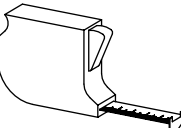
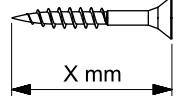
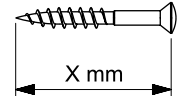
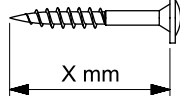
VIDEO

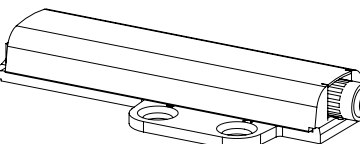
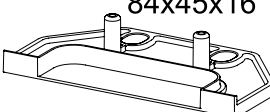
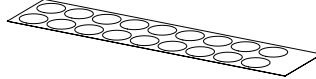
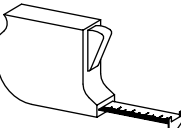
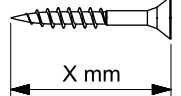
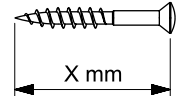
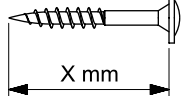


SCAN ME





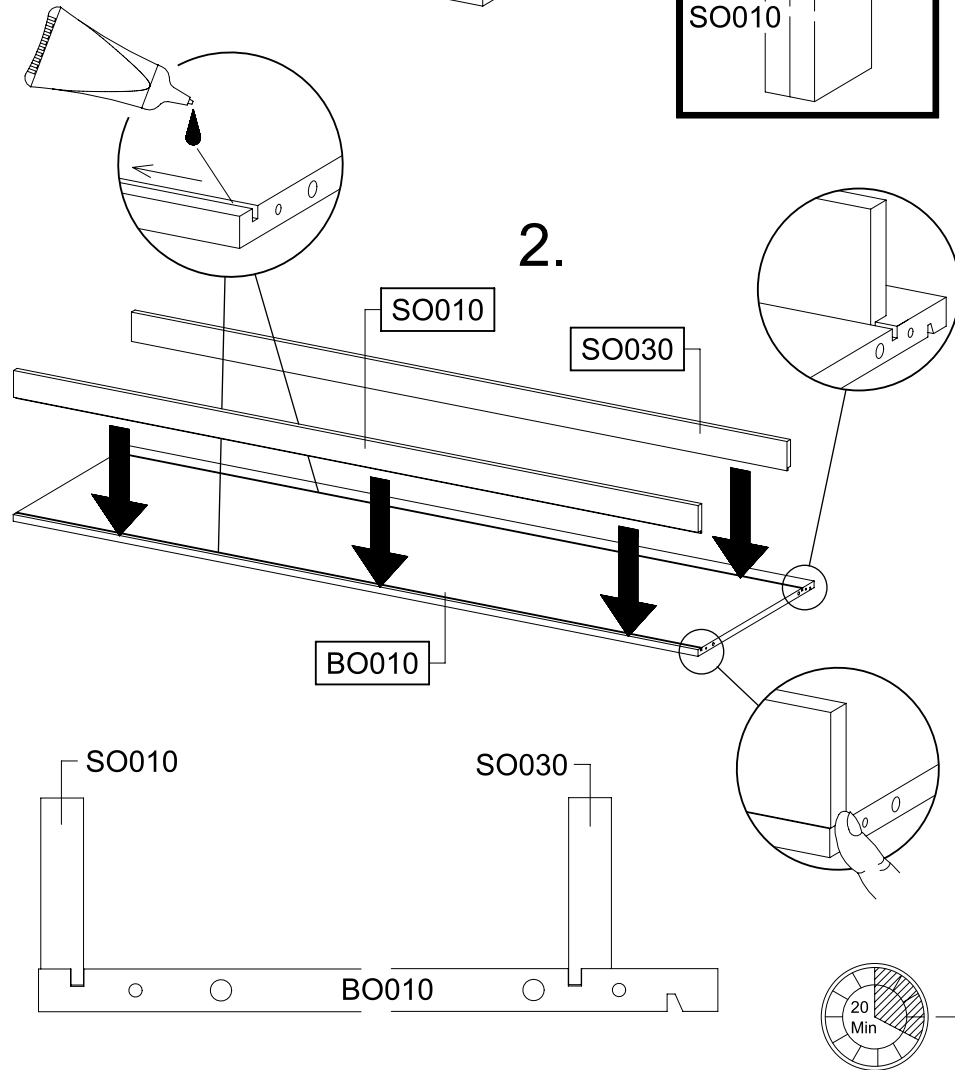
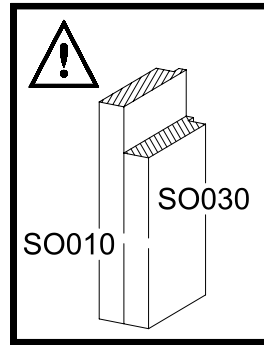
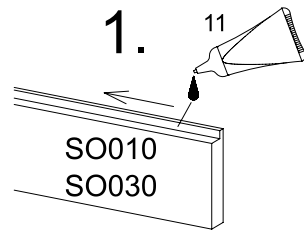
<p>2</p>  <p>11</p>	<p>12x</p>  <p>342x27x10</p> <p>1396</p>		
<p>12x</p>  <p>274</p>	<p>12x</p> <p>5,0x7,0</p>  <p>249</p>	<p>4x</p>  <p>173</p>	<p>4x</p> <p>4x15</p>  <p>201</p>
<p>4x</p>  <p>183</p>	<p>12x</p> <p>6,3x50</p>  <p>233</p>	<p>24x</p> <p>6x8</p>  <p>534</p>	
<p>8x</p> <p>8x30</p>  <p>18</p>	<p>12x</p> <p>3,5x15</p>  <p>205</p>	<p>8x</p>  <p>1</p>	
<p>12x</p> <p>M4x9</p>  <p>568</p>	<p>2x</p> <p>4,5x50</p>  <p>296</p>	<p>10x</p>  <p>807</p>	
<p>21x</p>  <p>116</p>	<p>24x</p> <p>6,5x12</p>  <p>779</p>	<p>3x</p> <p>55x16x6,2</p>  <p>12</p>	
<p>2x</p> <p>77x22x15</p>  <p>68</p>	<p>16x</p> <p>3,5x12</p>  <p>88</p>	<p>4x</p> <p>40x40x2,0</p>  <p>188</p>	
	 <p>X mm</p>	 <p>X mm</p>	 <p>X mm</p>

<p>4x</p>  <p>482</p>	<p>4x</p> <p>84x45x16</p>  <p>1031</p>		
<p>1x</p>  <p>RE010</p>			
	 <p>X mm</p>	 <p>X mm</p>	 <p>X mm</p>

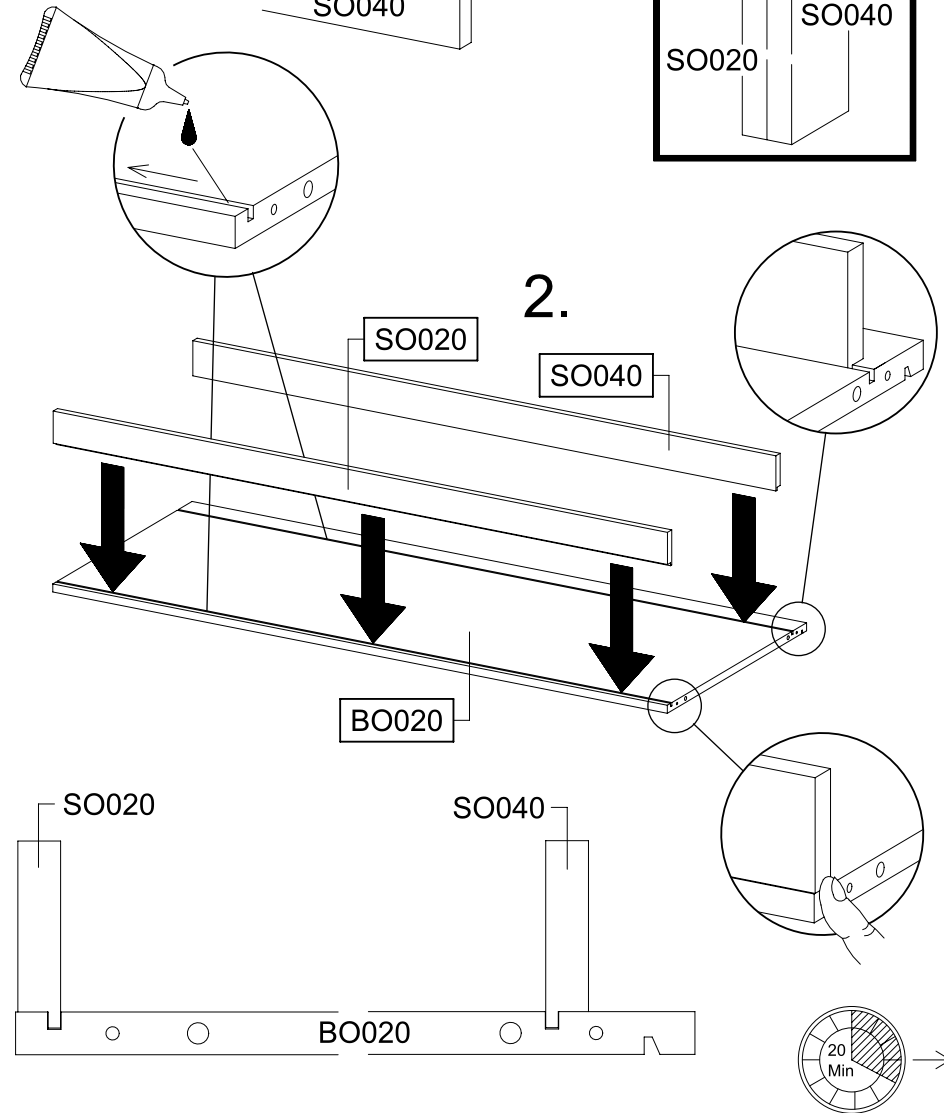
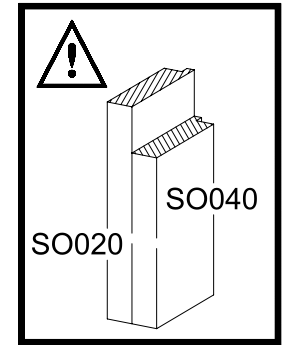
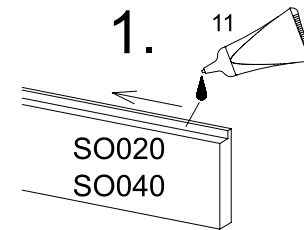
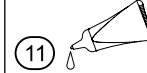
1

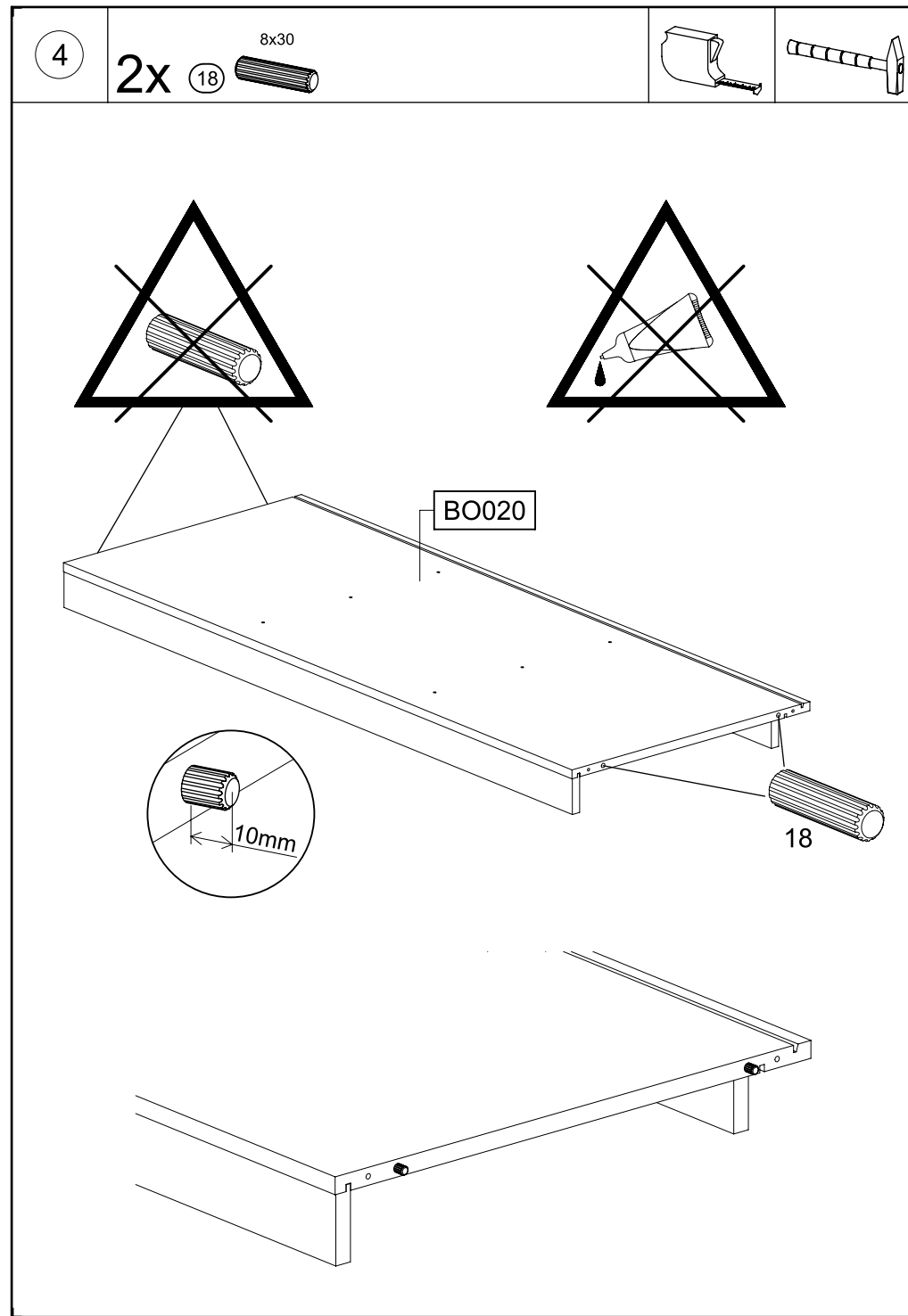
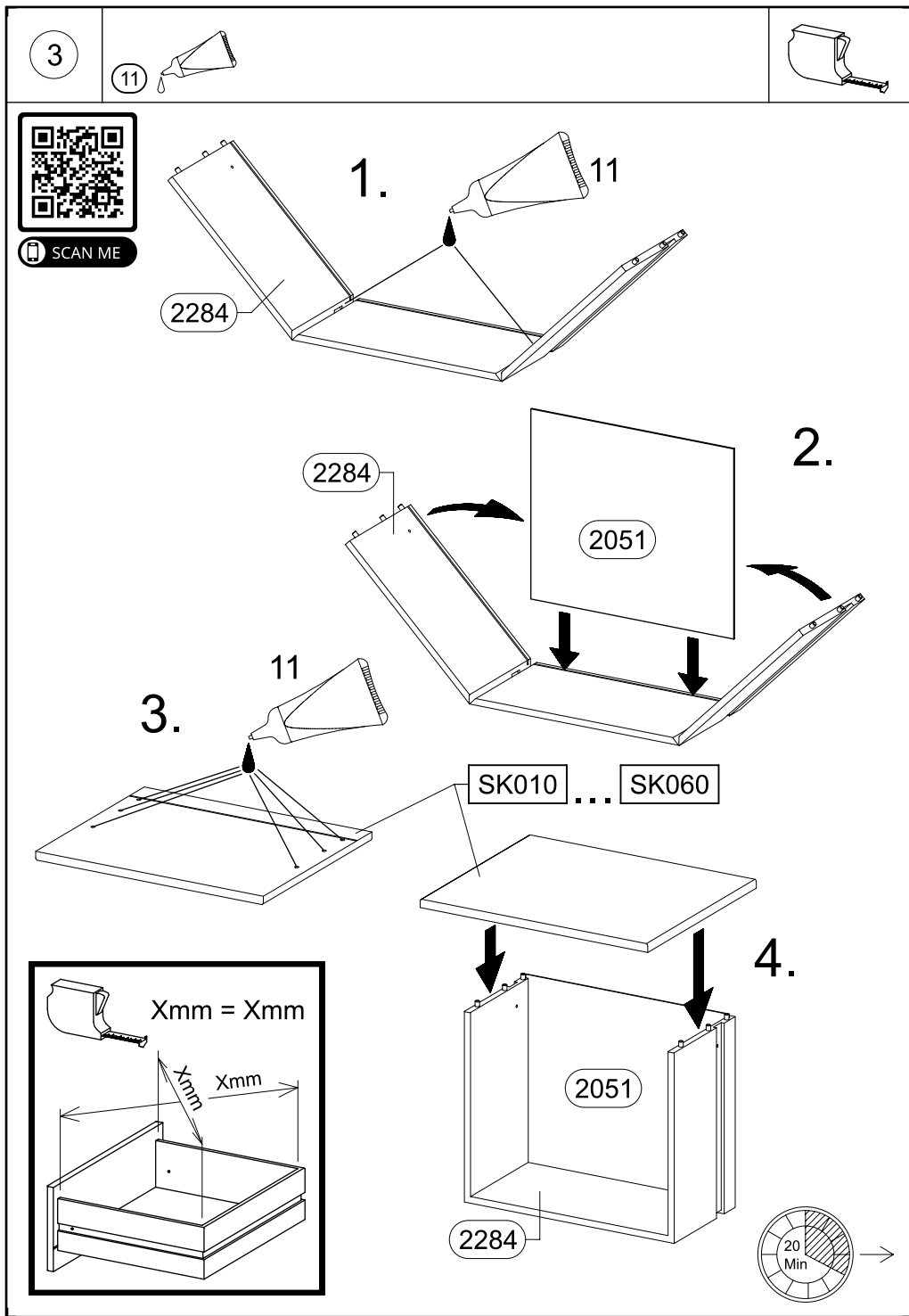


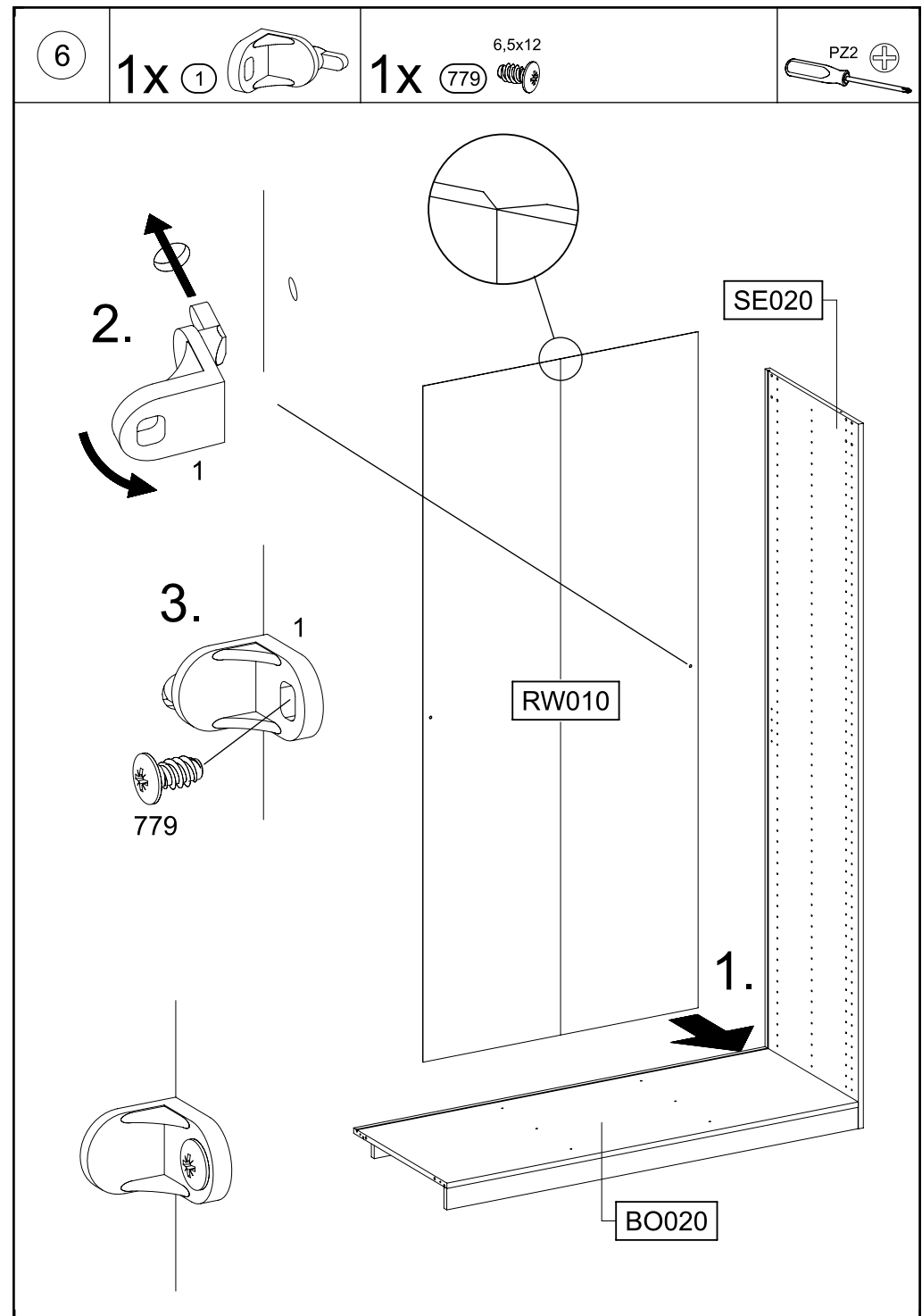
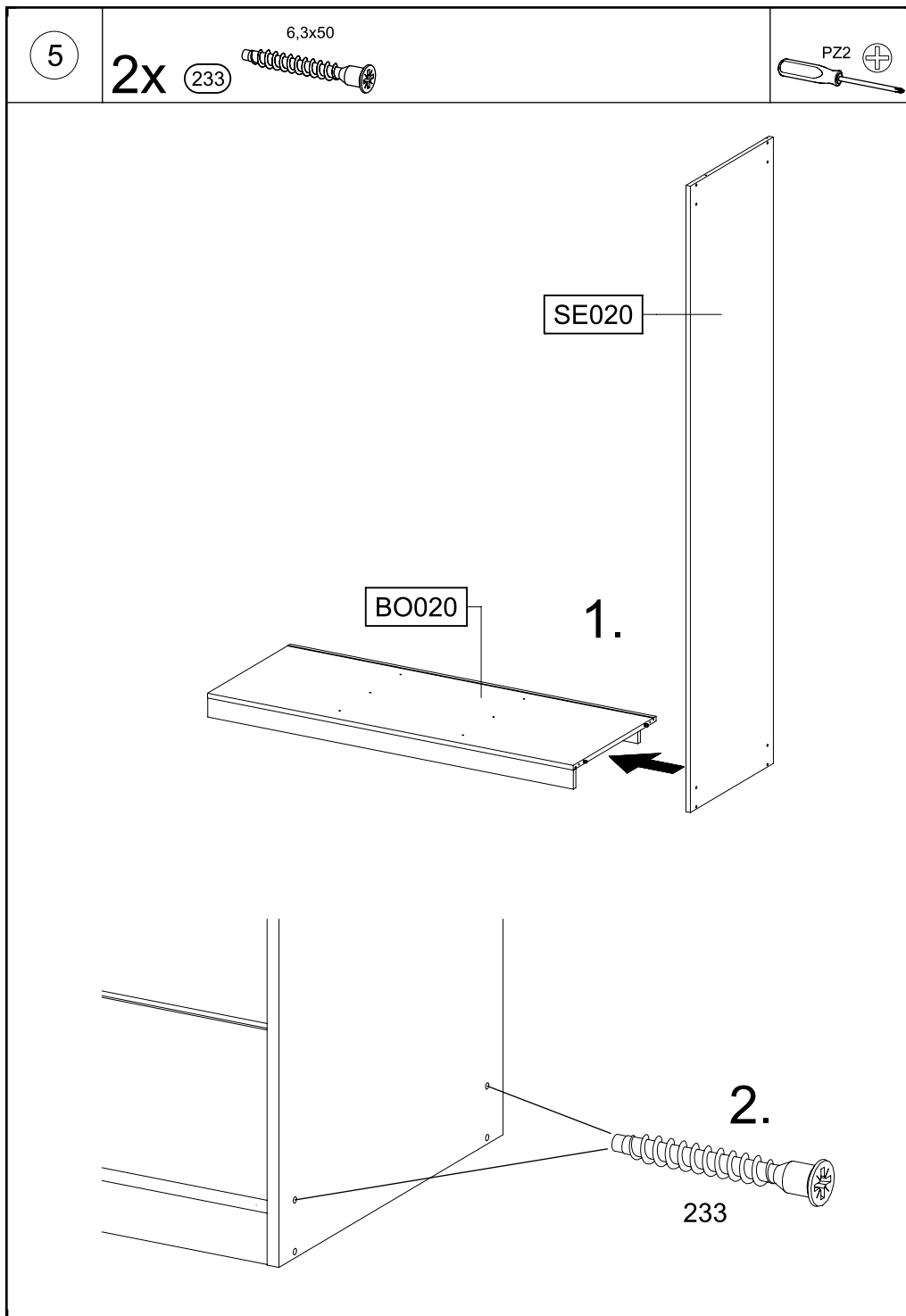
SCAN ME

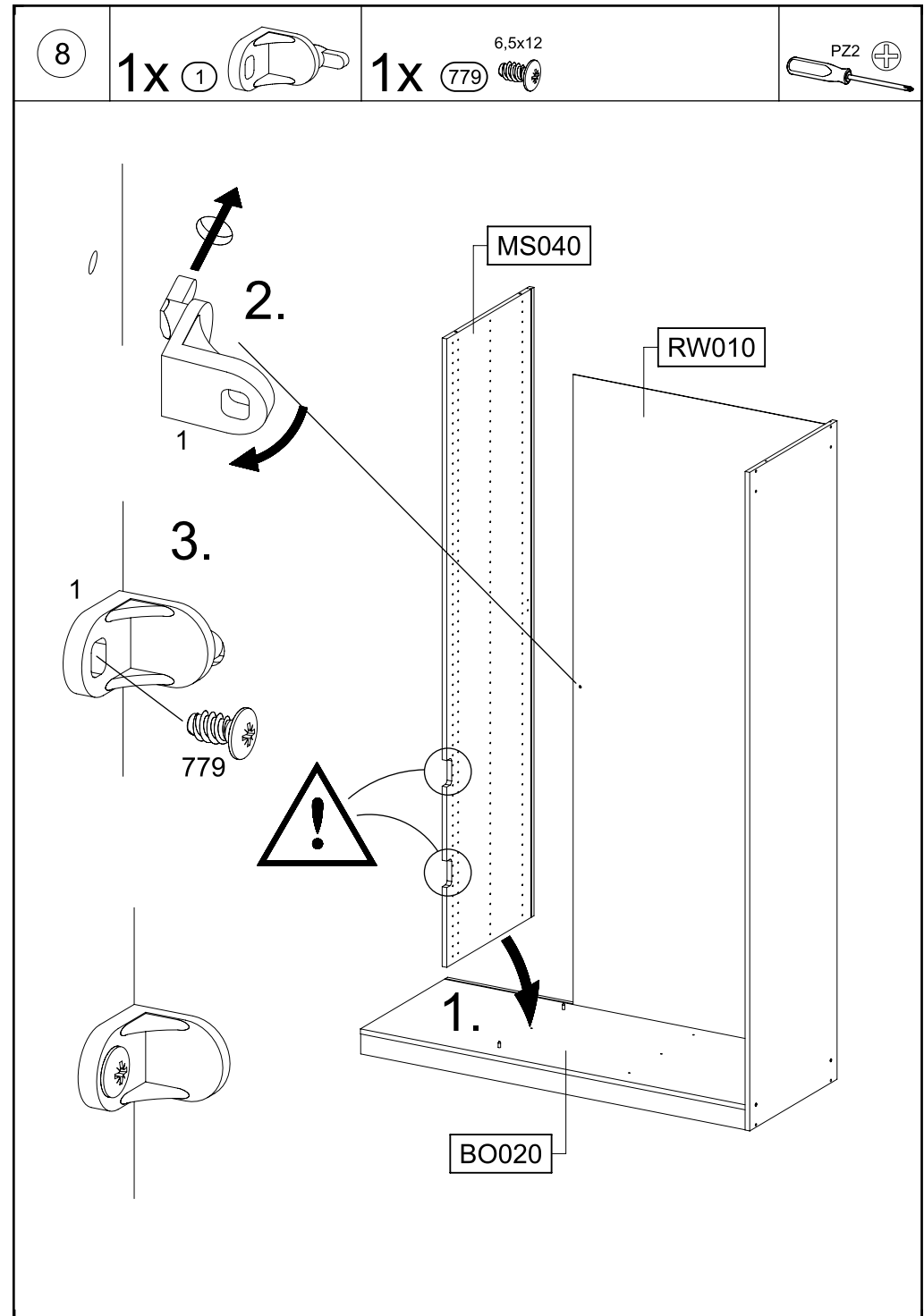
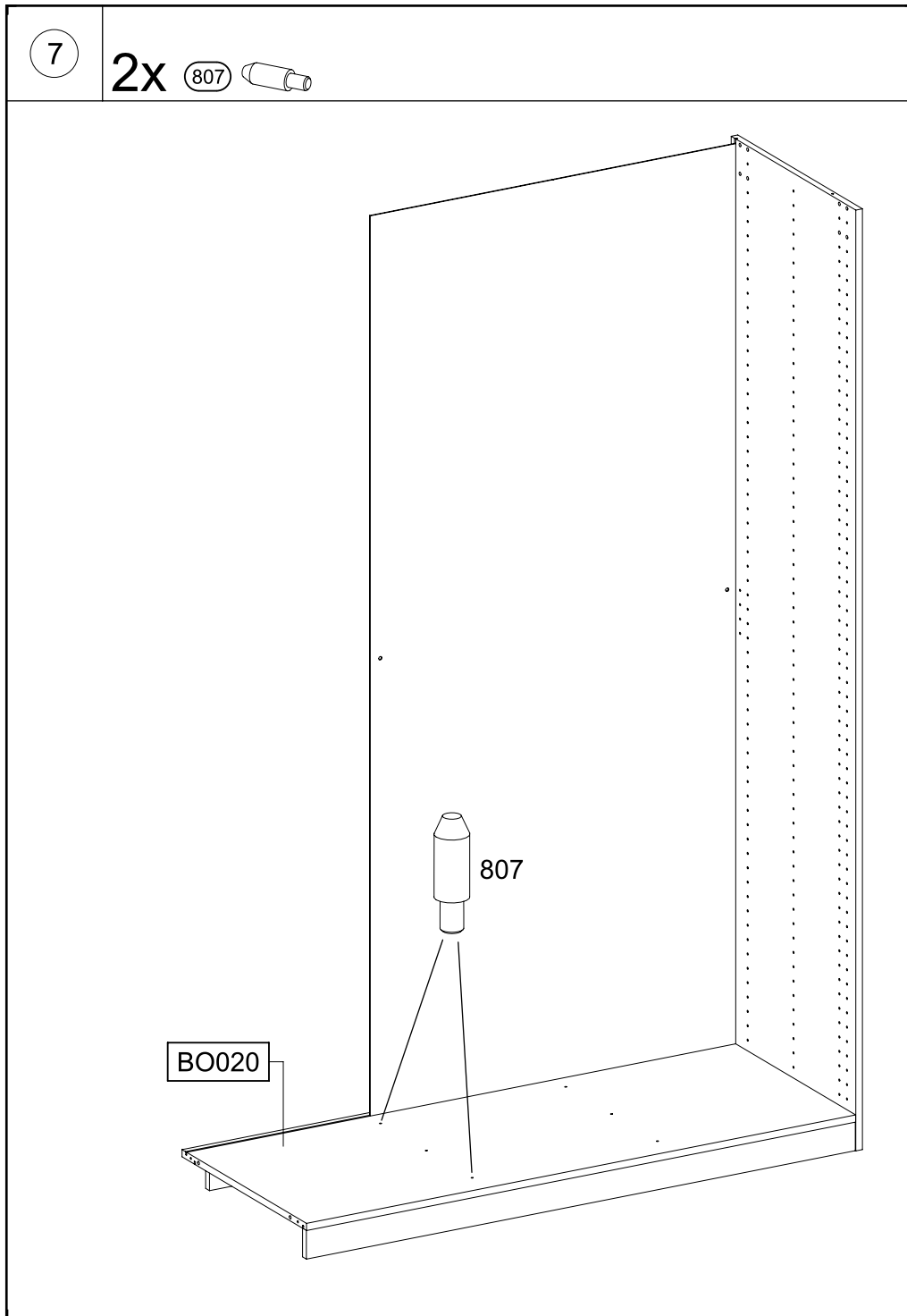


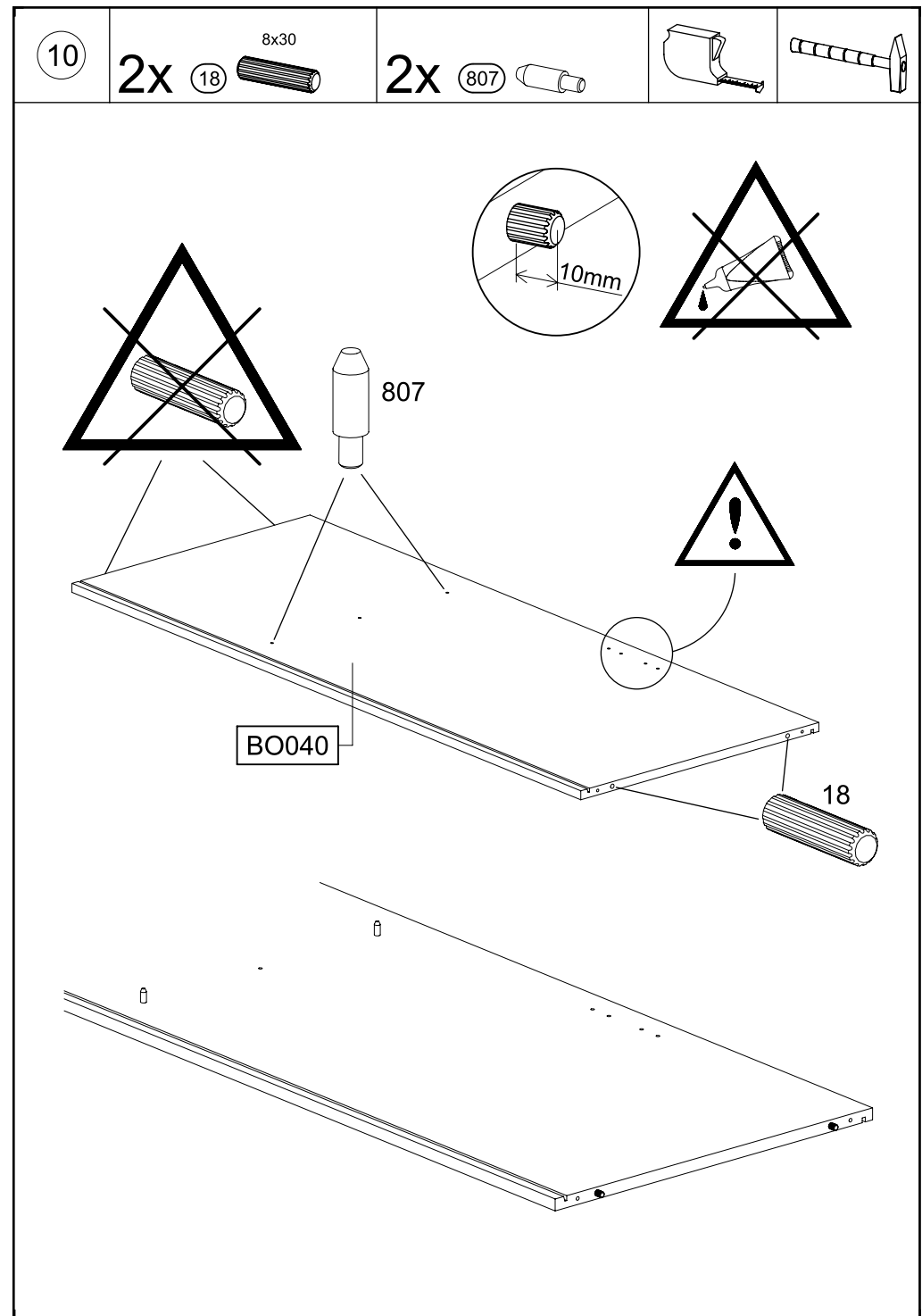
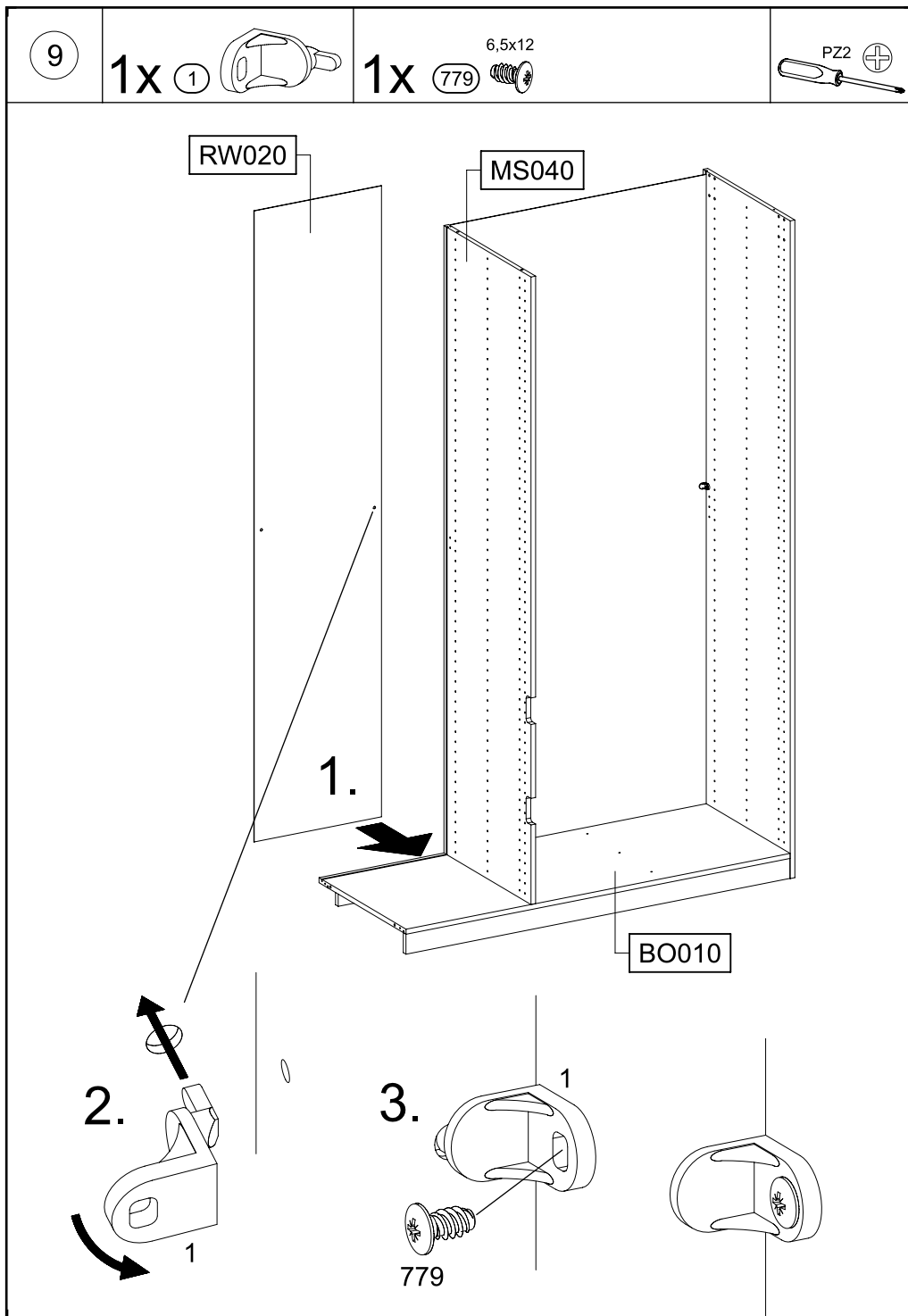
2



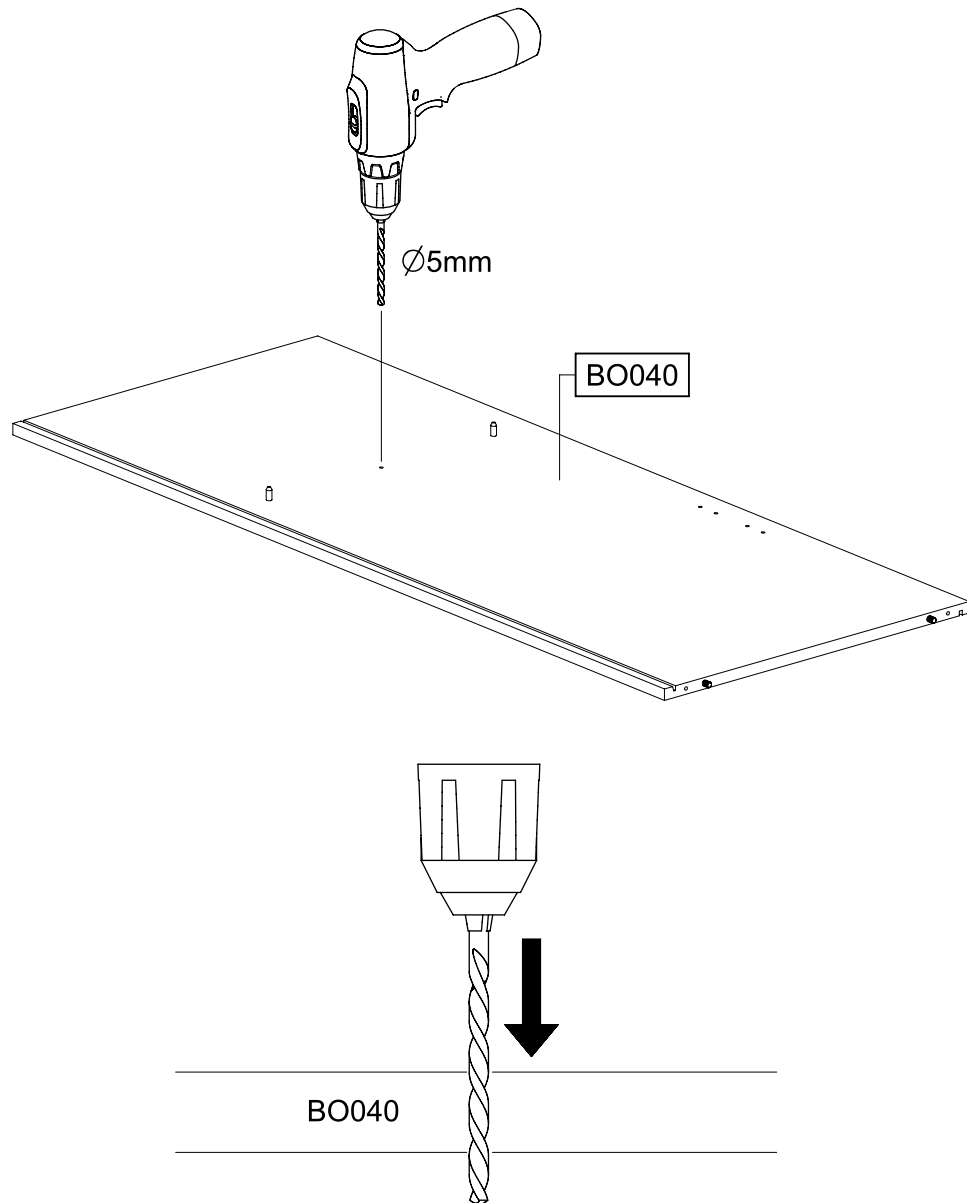
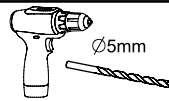






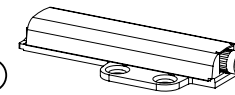


11



12

2x (482)

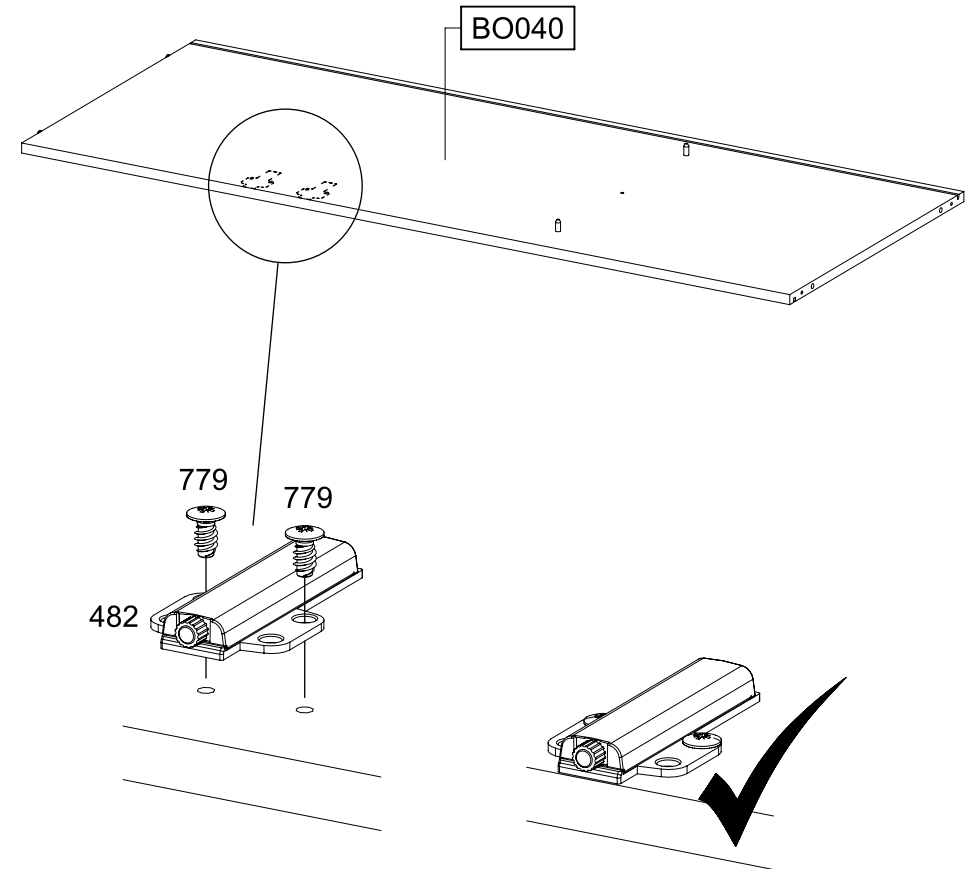
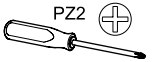


4x (779)

6,5x12



PZ2

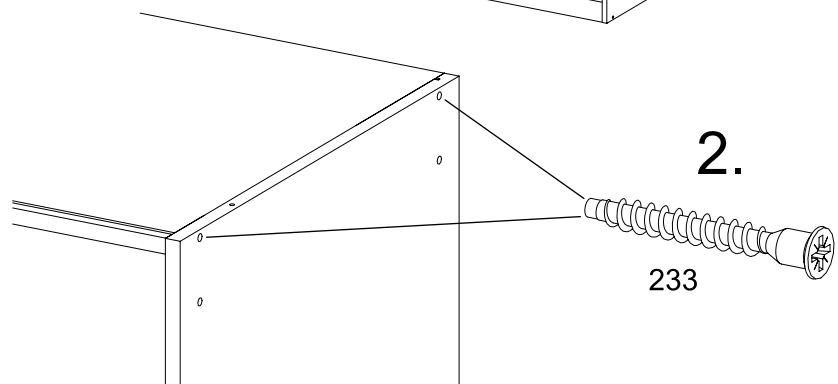
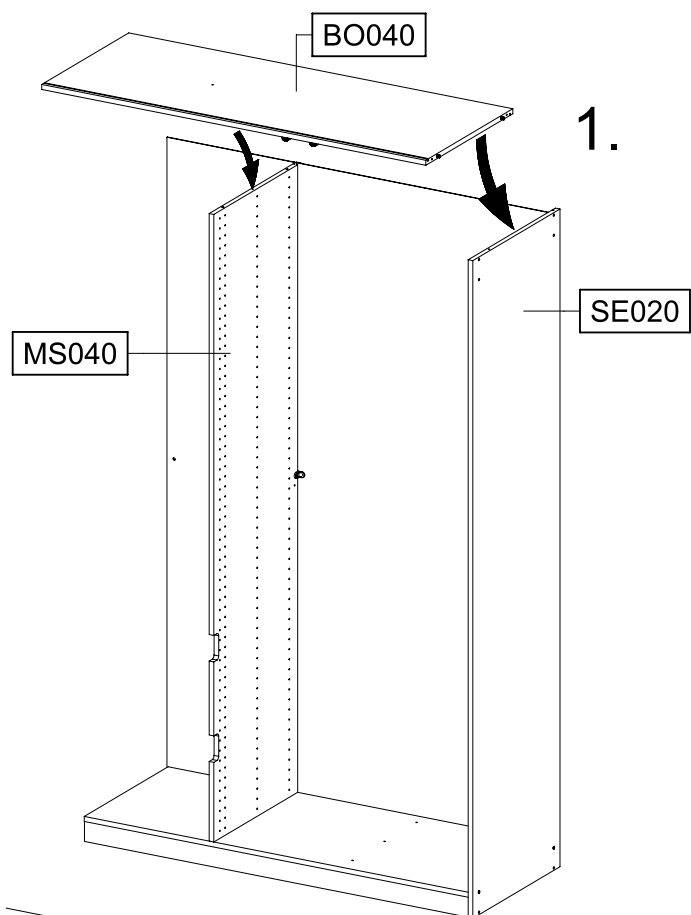
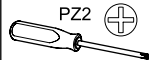


13

2x

233

6,3x50

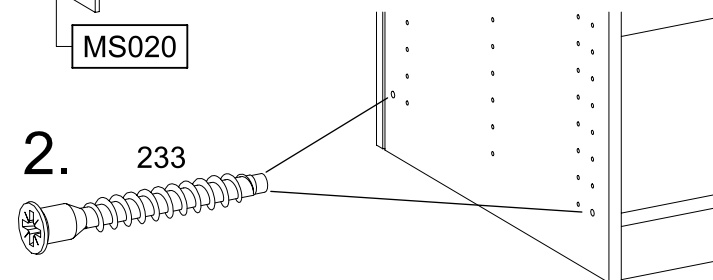
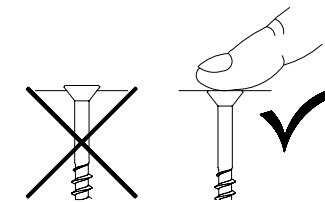
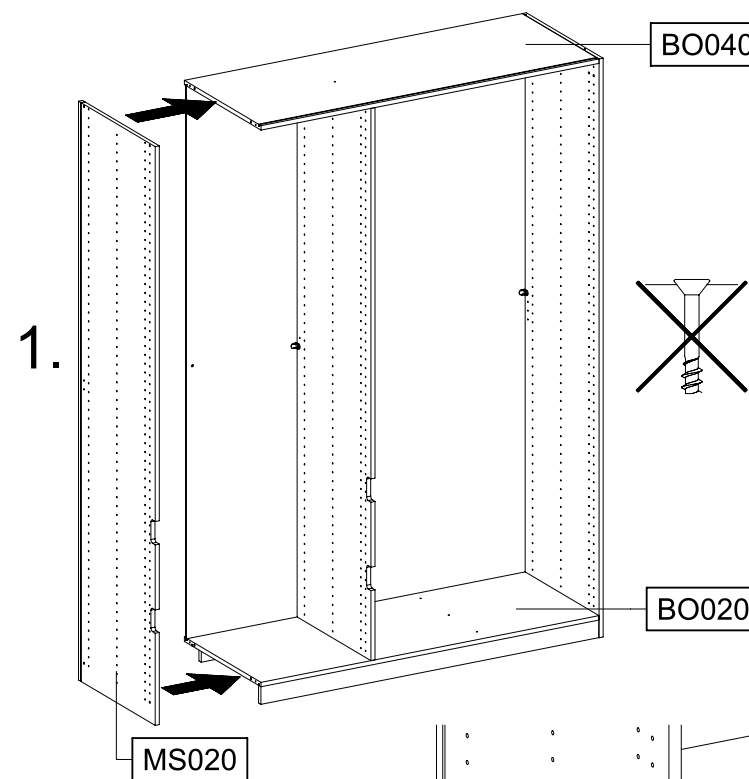
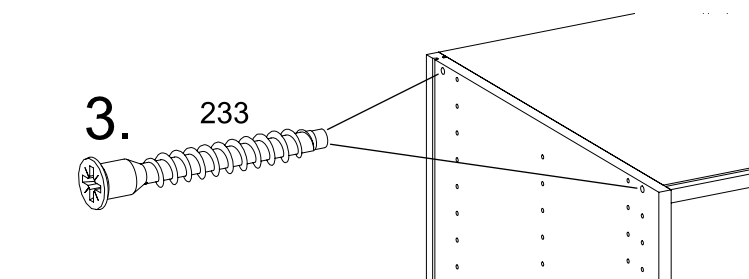
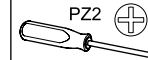


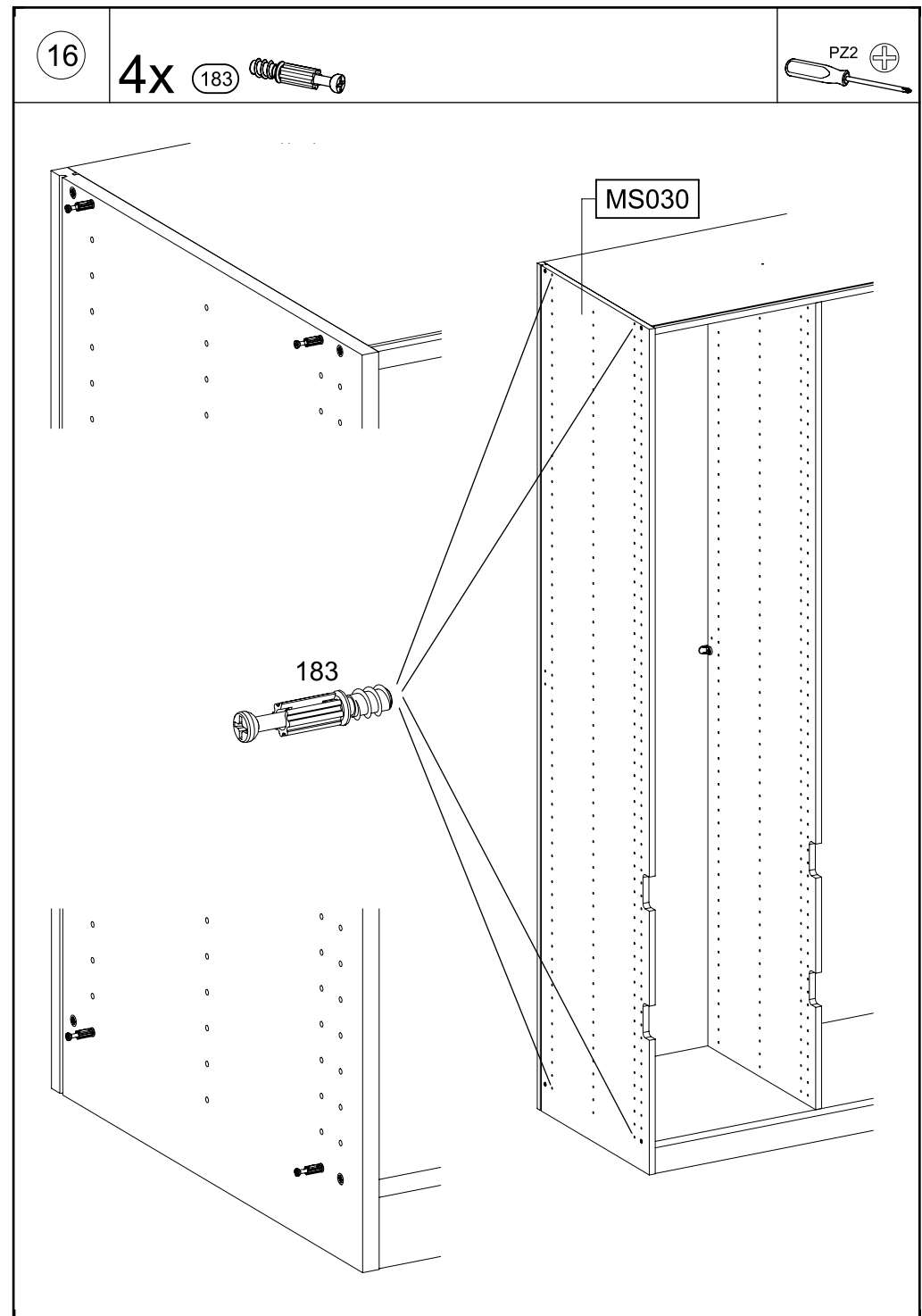
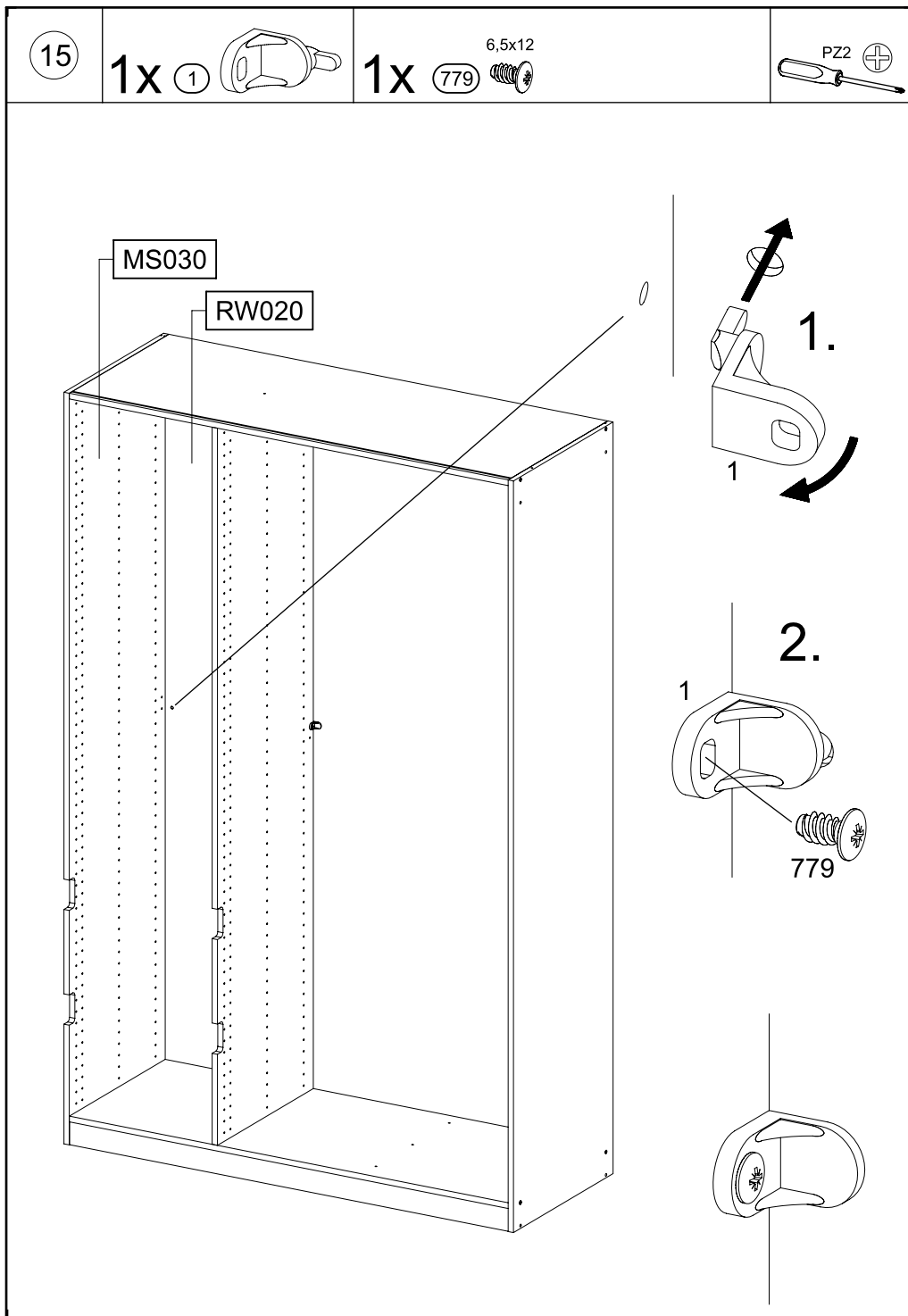
14

4x

233

6,3x50



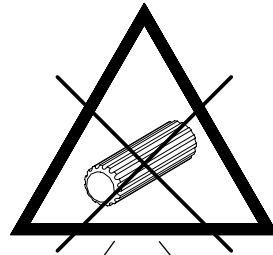
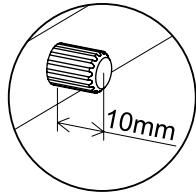
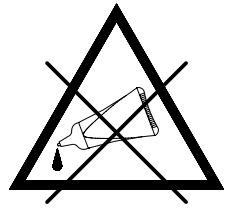
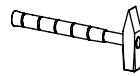
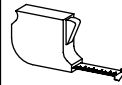


17

2x

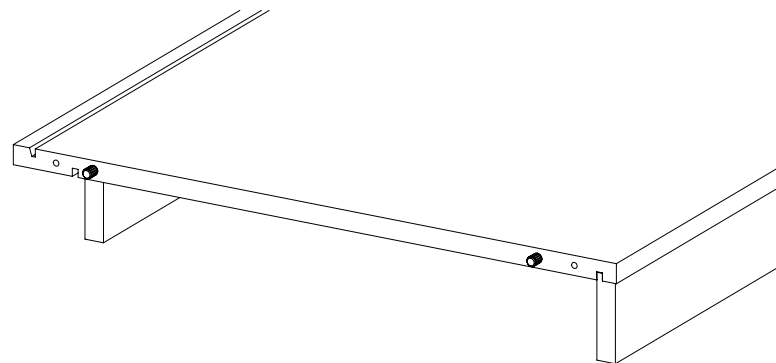
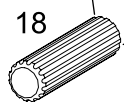
18

8x30



BO010

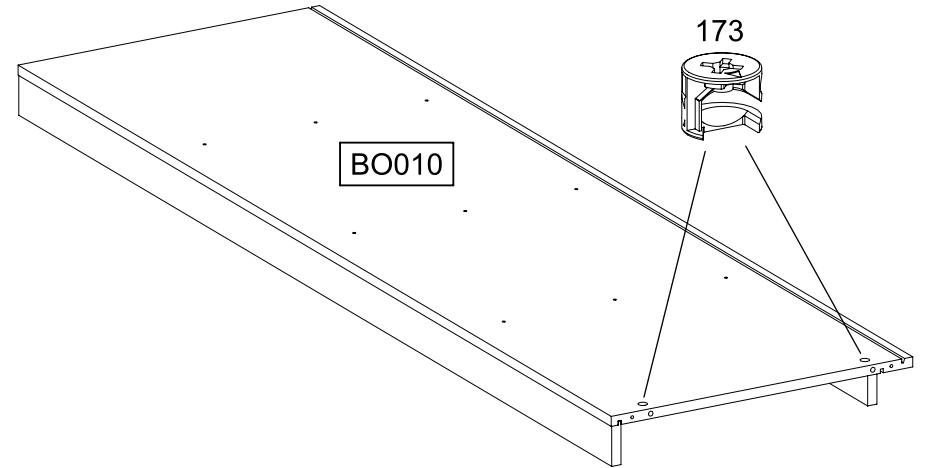
18



18

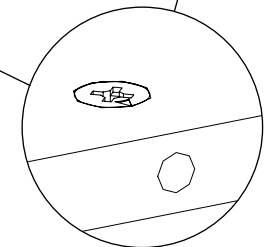
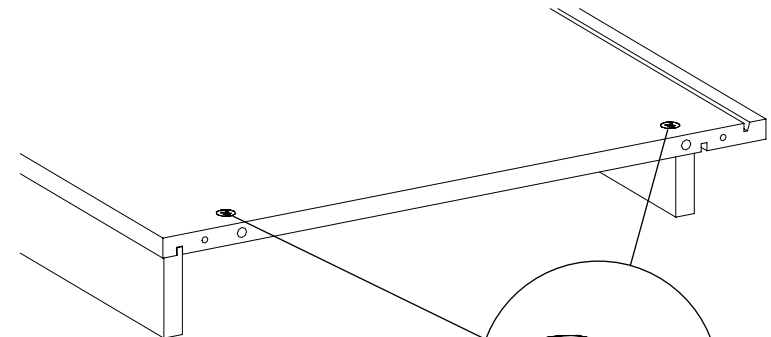
2x

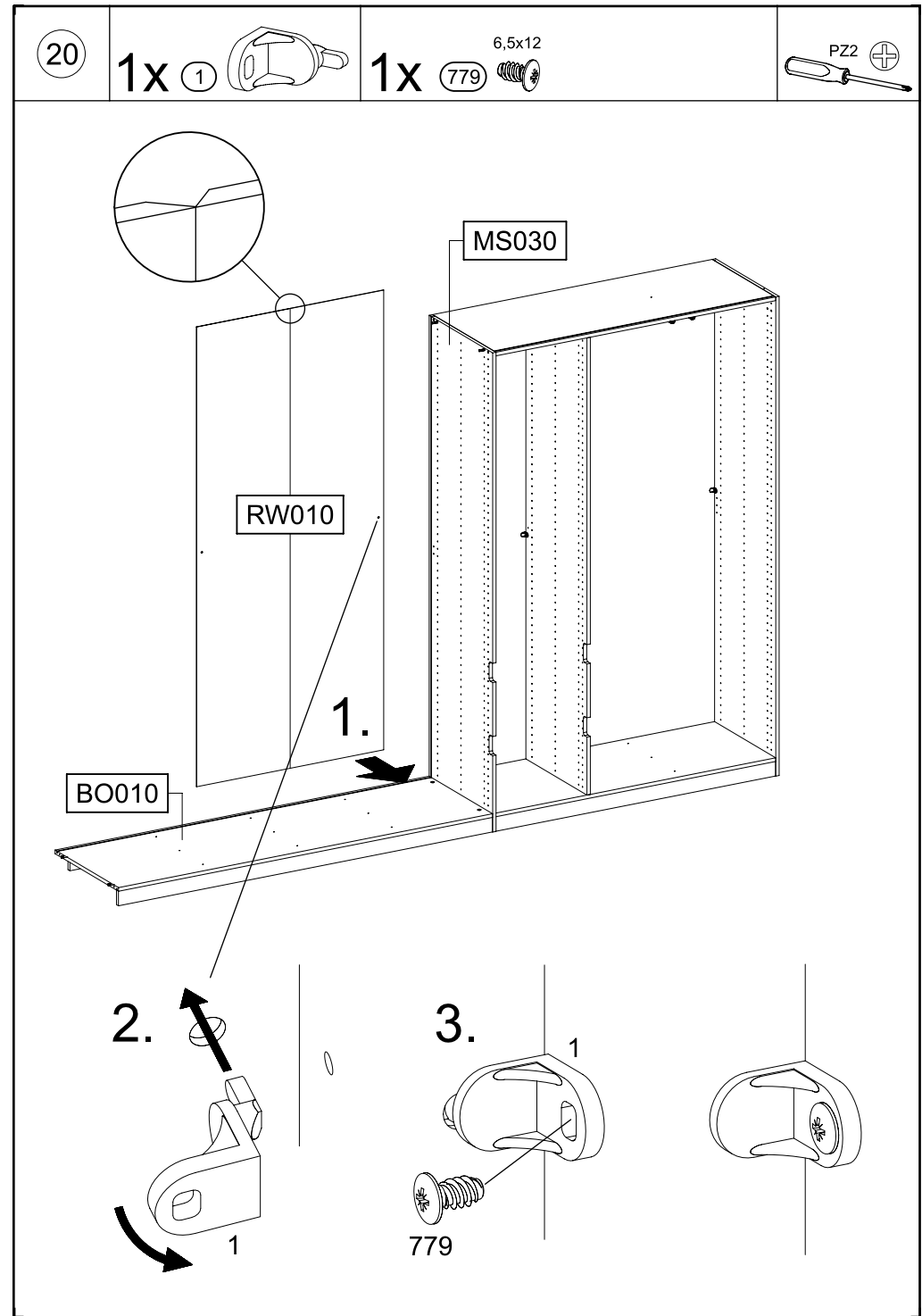
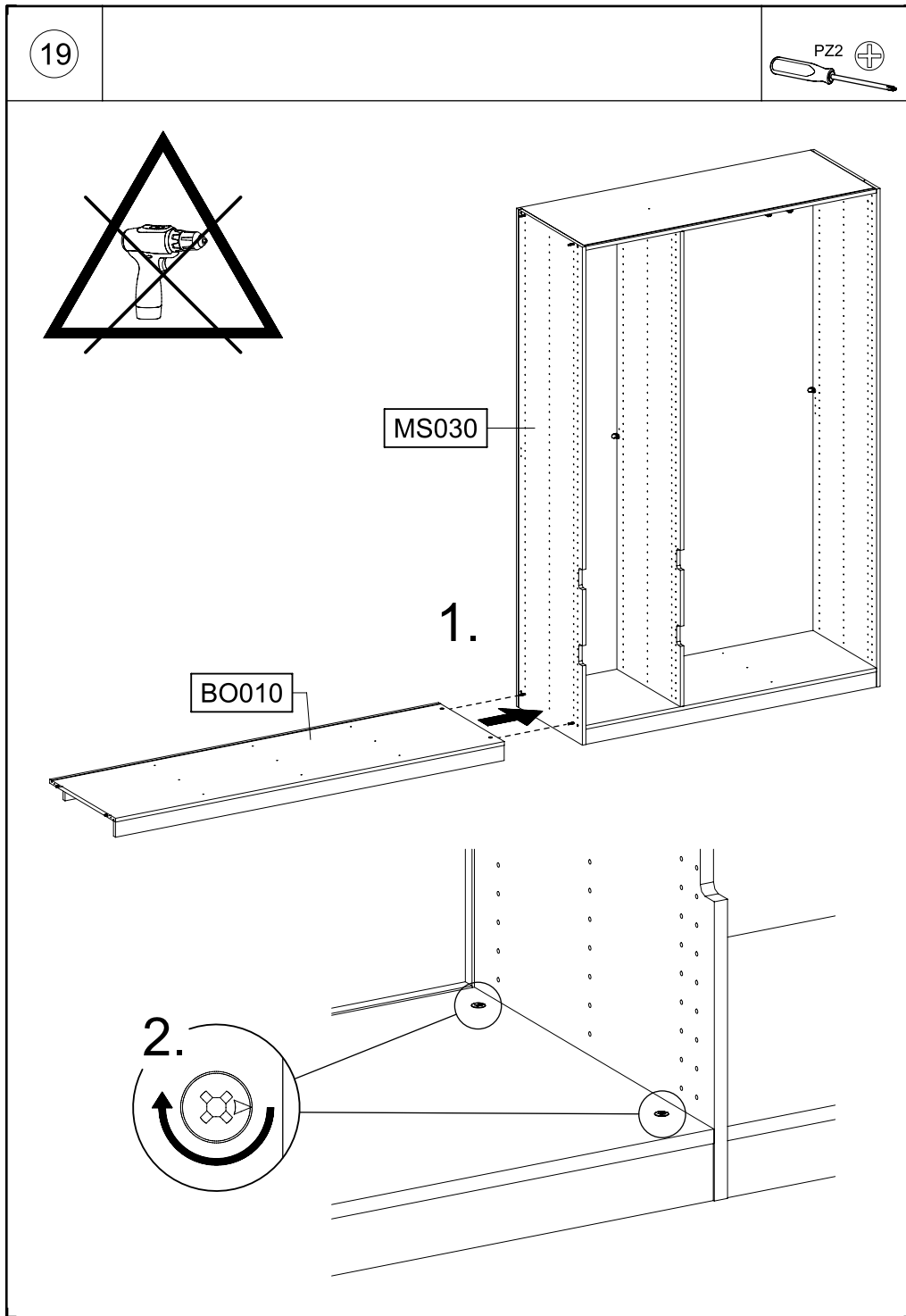
173



BO010

173

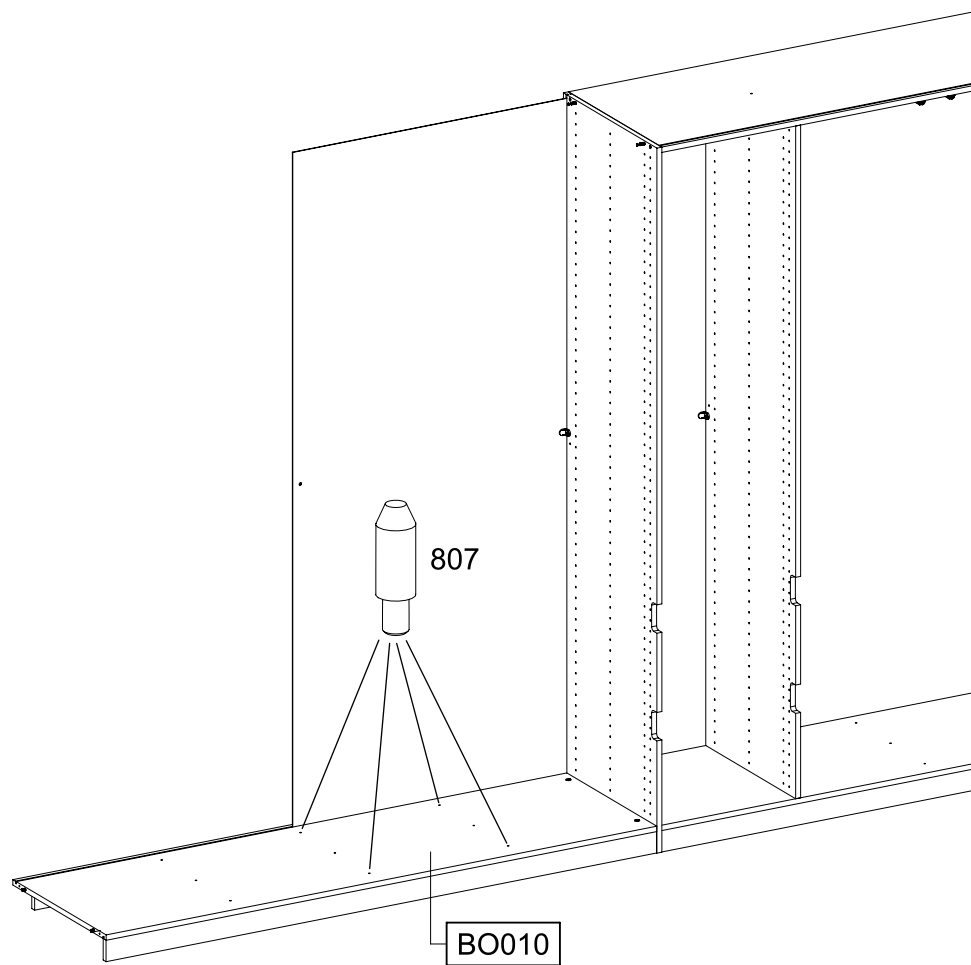




21

4x

807



807

BO010

22

1x

1



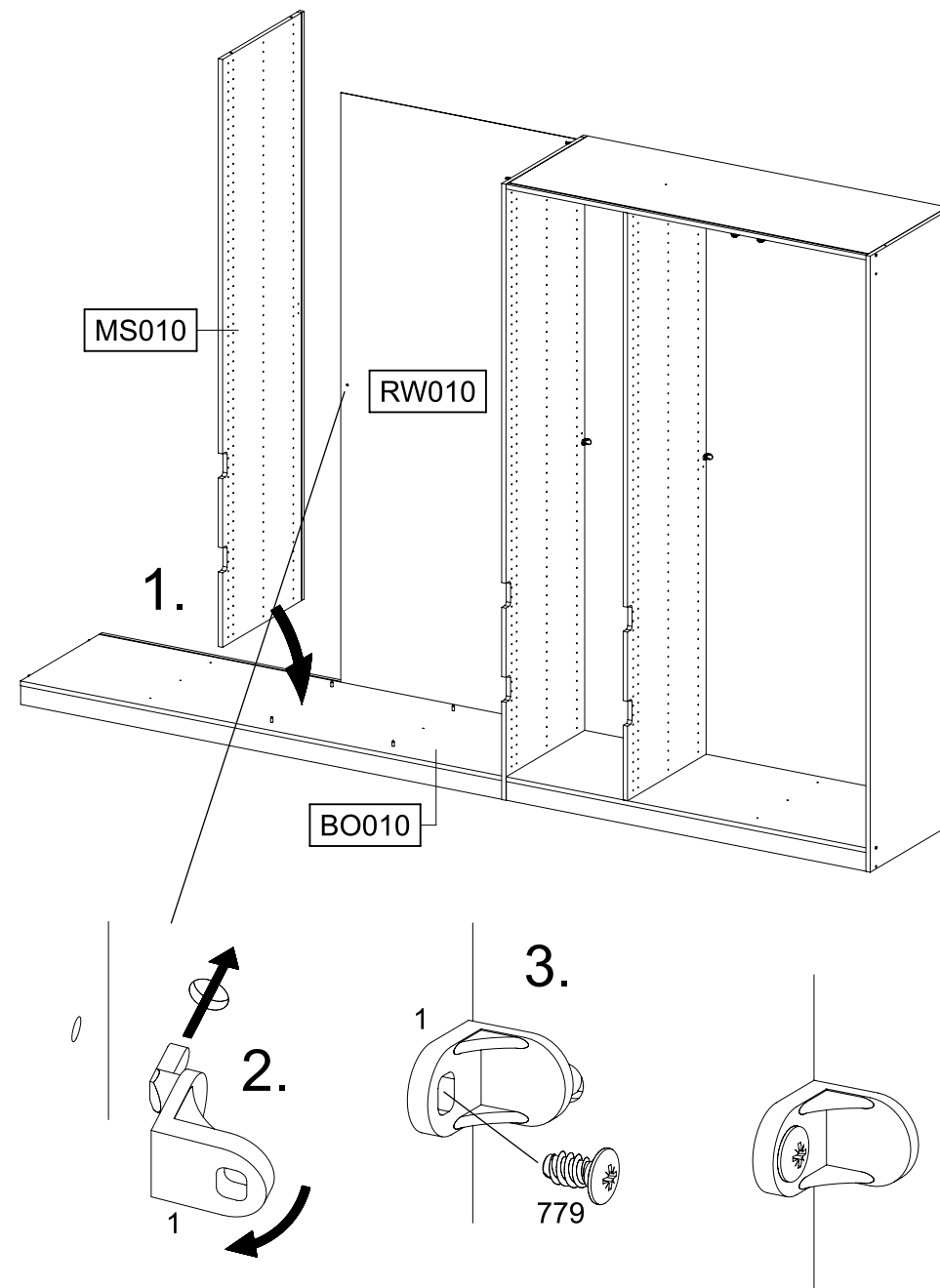
1x

779

6,5x12



PZ2



MS010

RW010

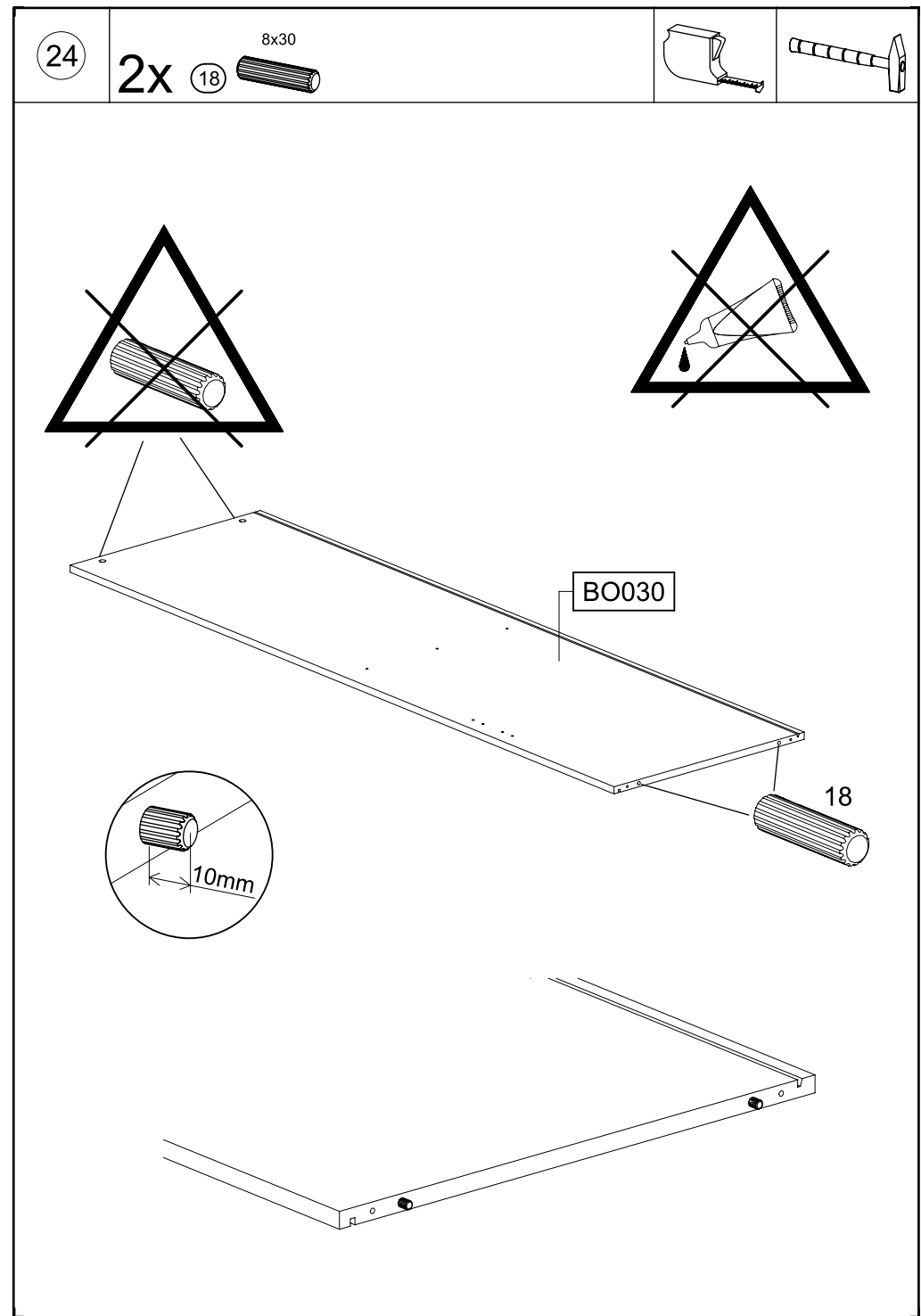
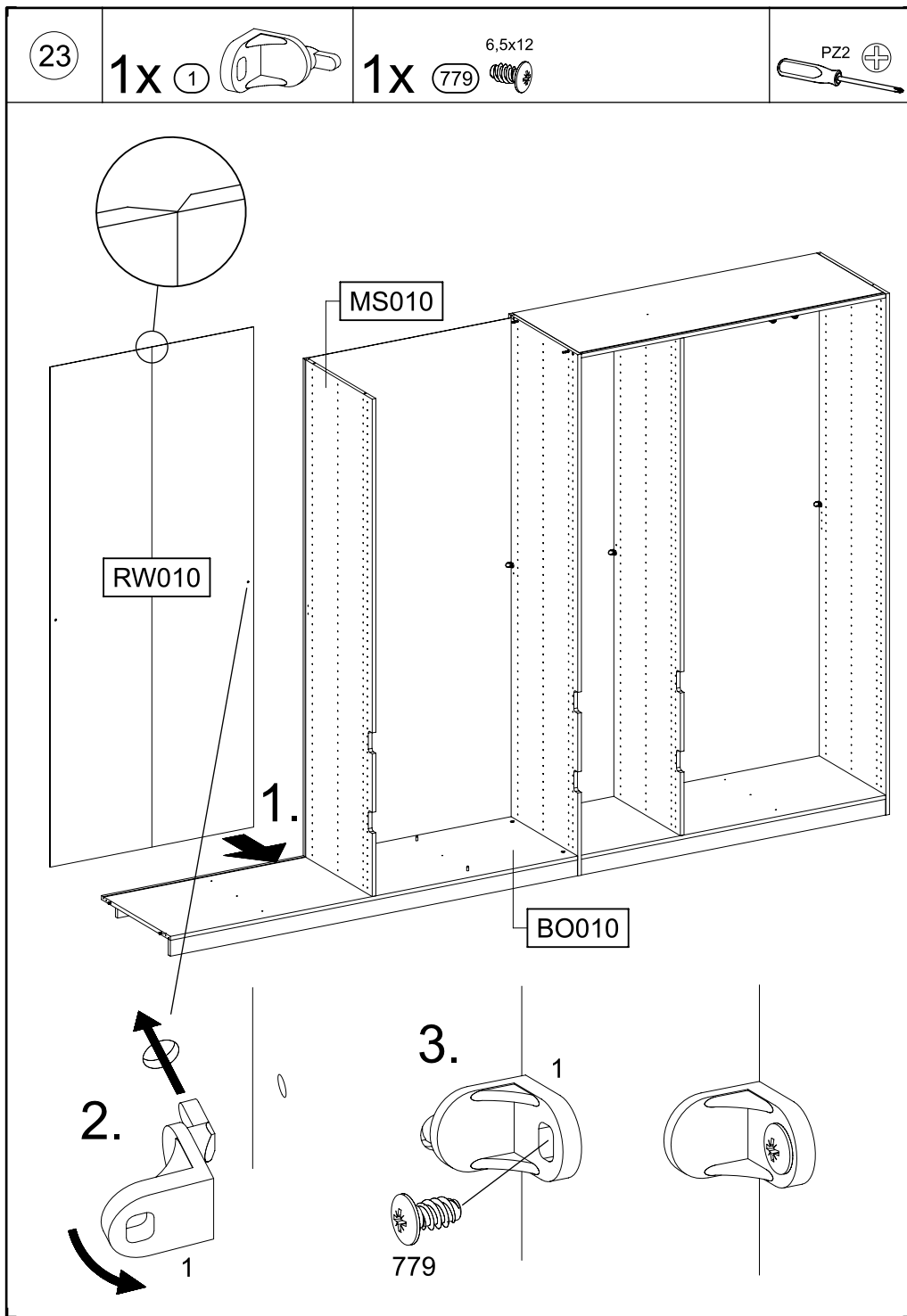
1.

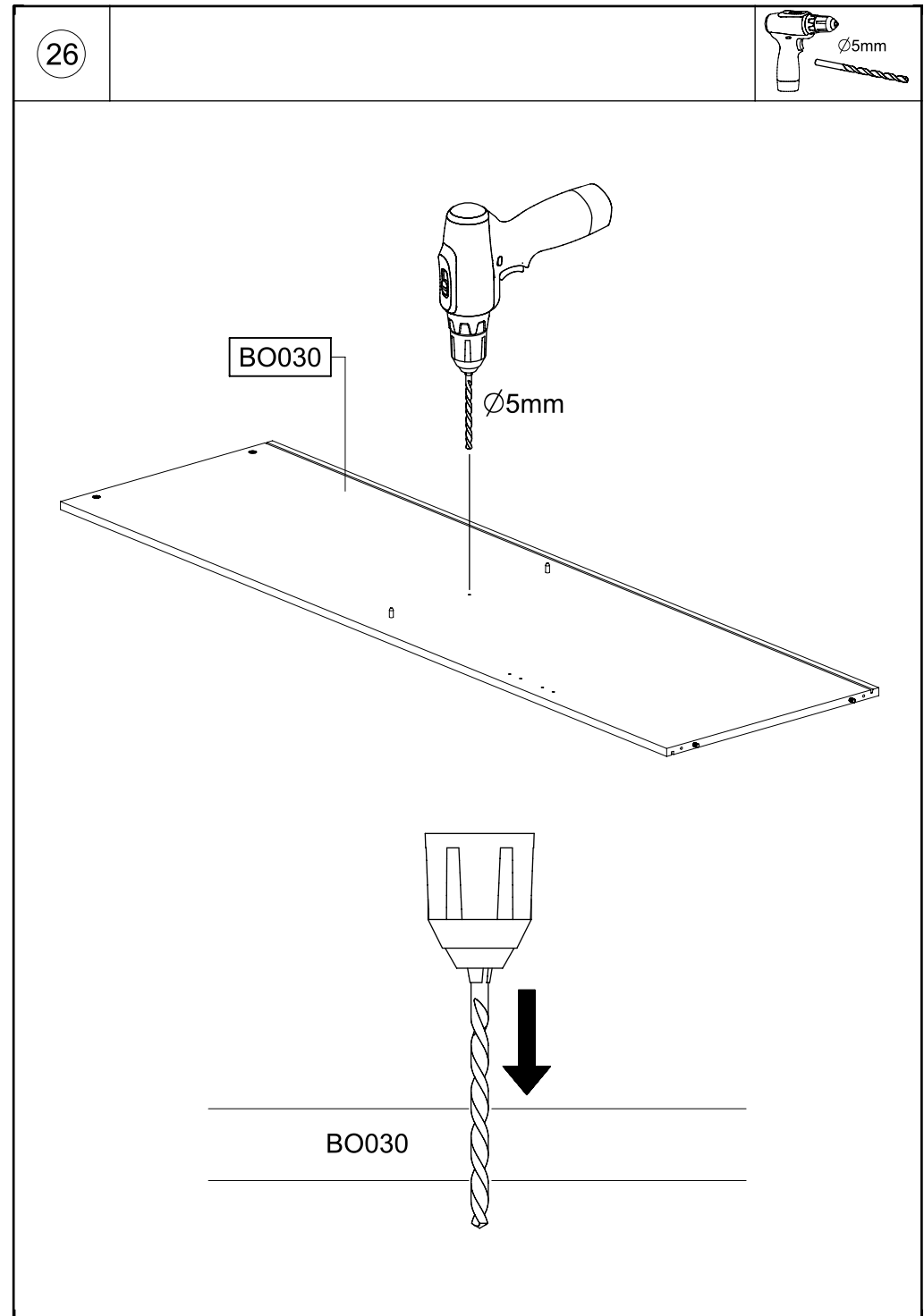
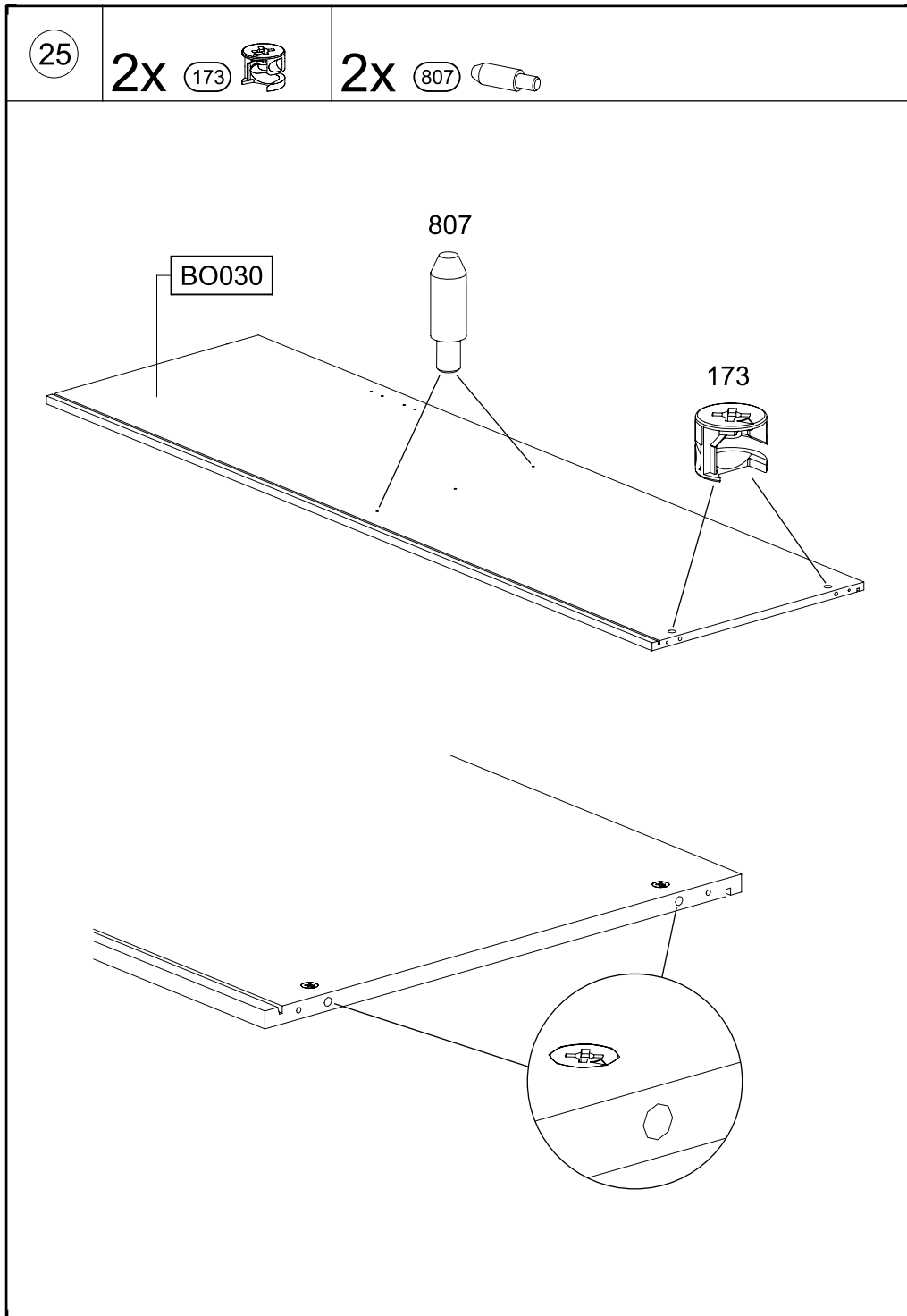
BO010

3.

2.

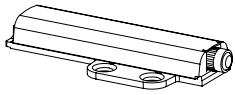
779





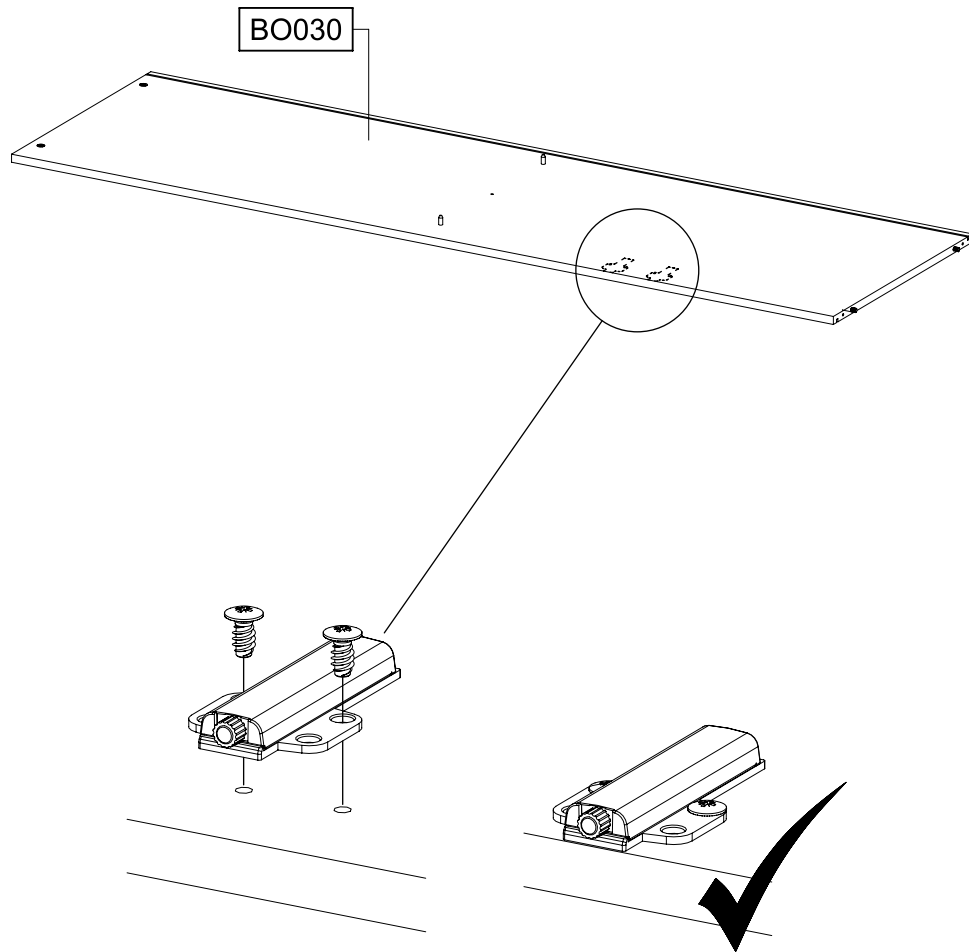
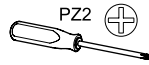
27

2x 482

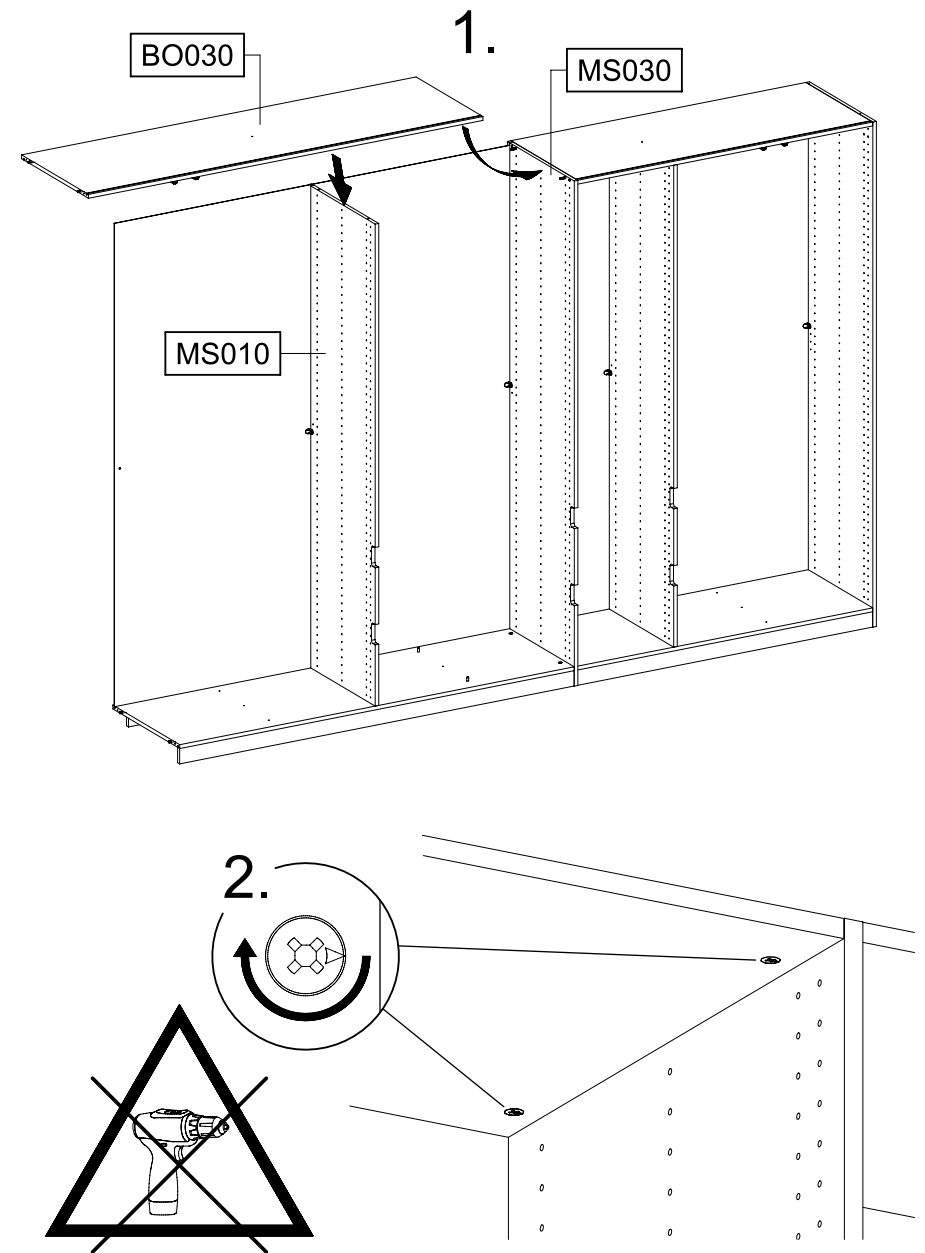
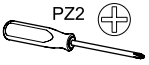


4x 779

6,5x12

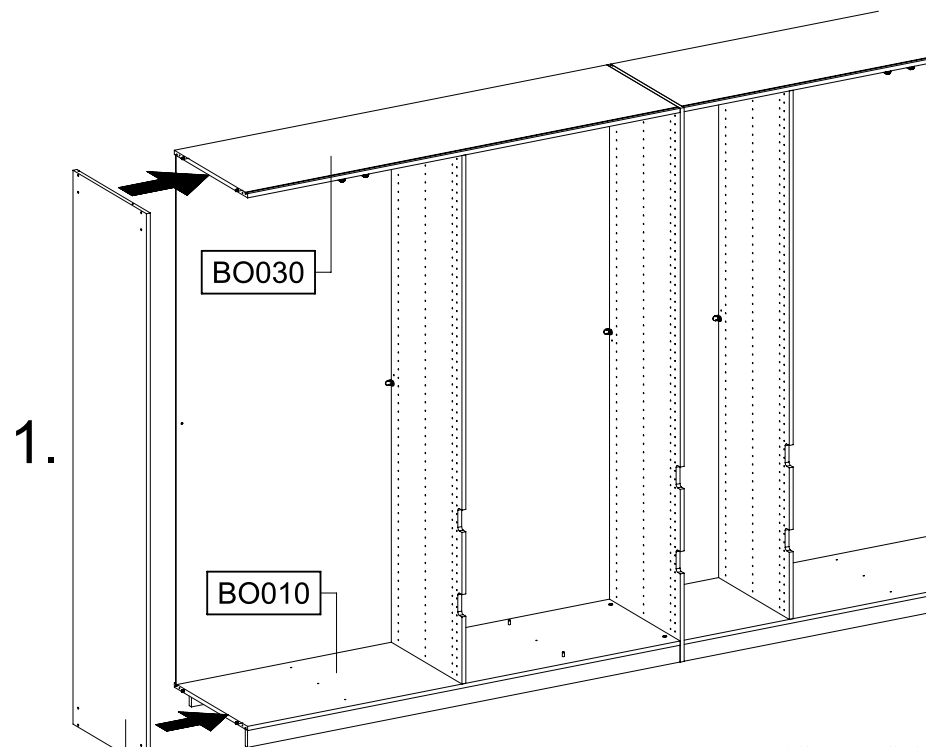
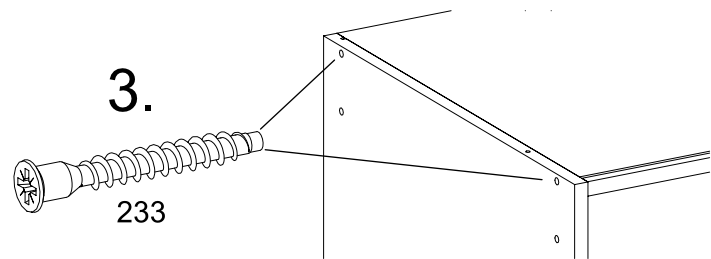
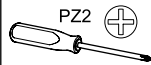
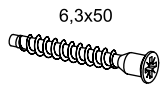


28



29

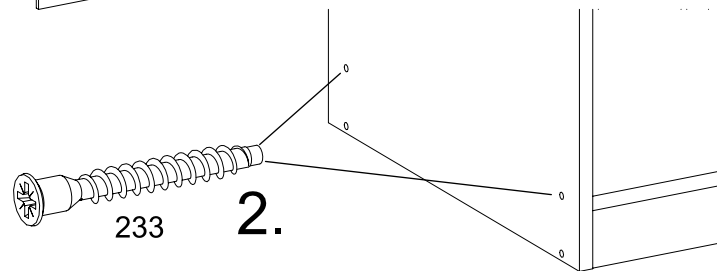
4x 233



SE010

BO001

BO030



233

2.

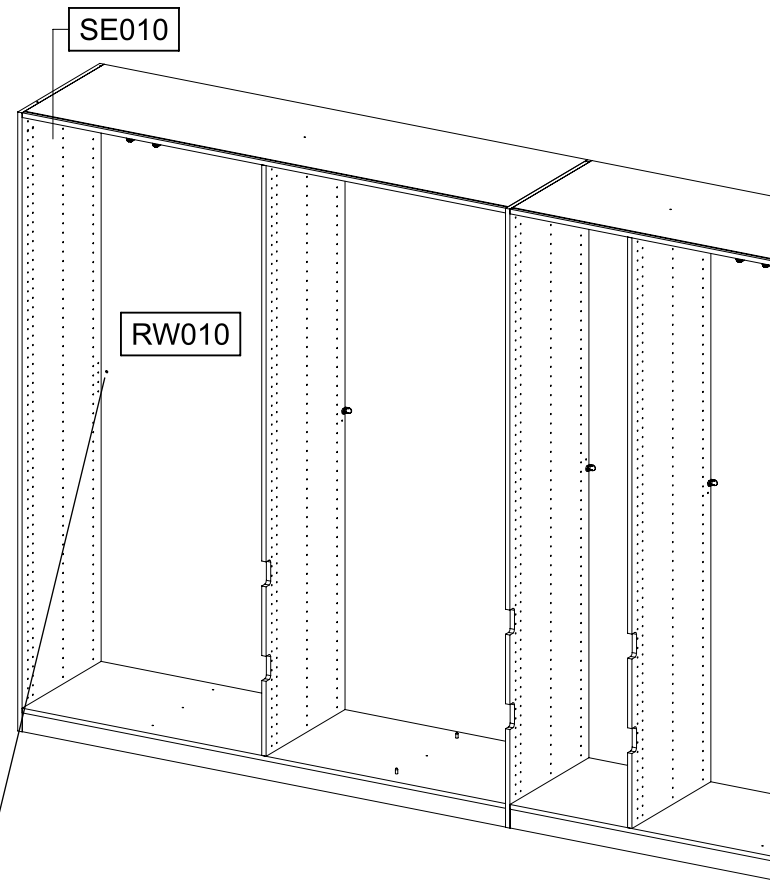
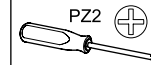
30

1x 1



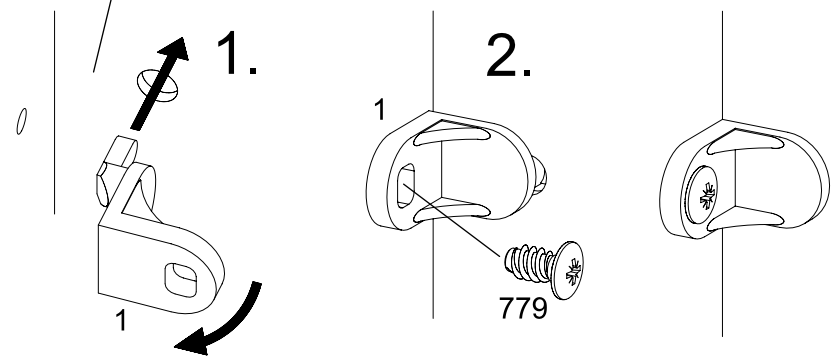
1x 779

6,5x12



SE010

RW010



1.

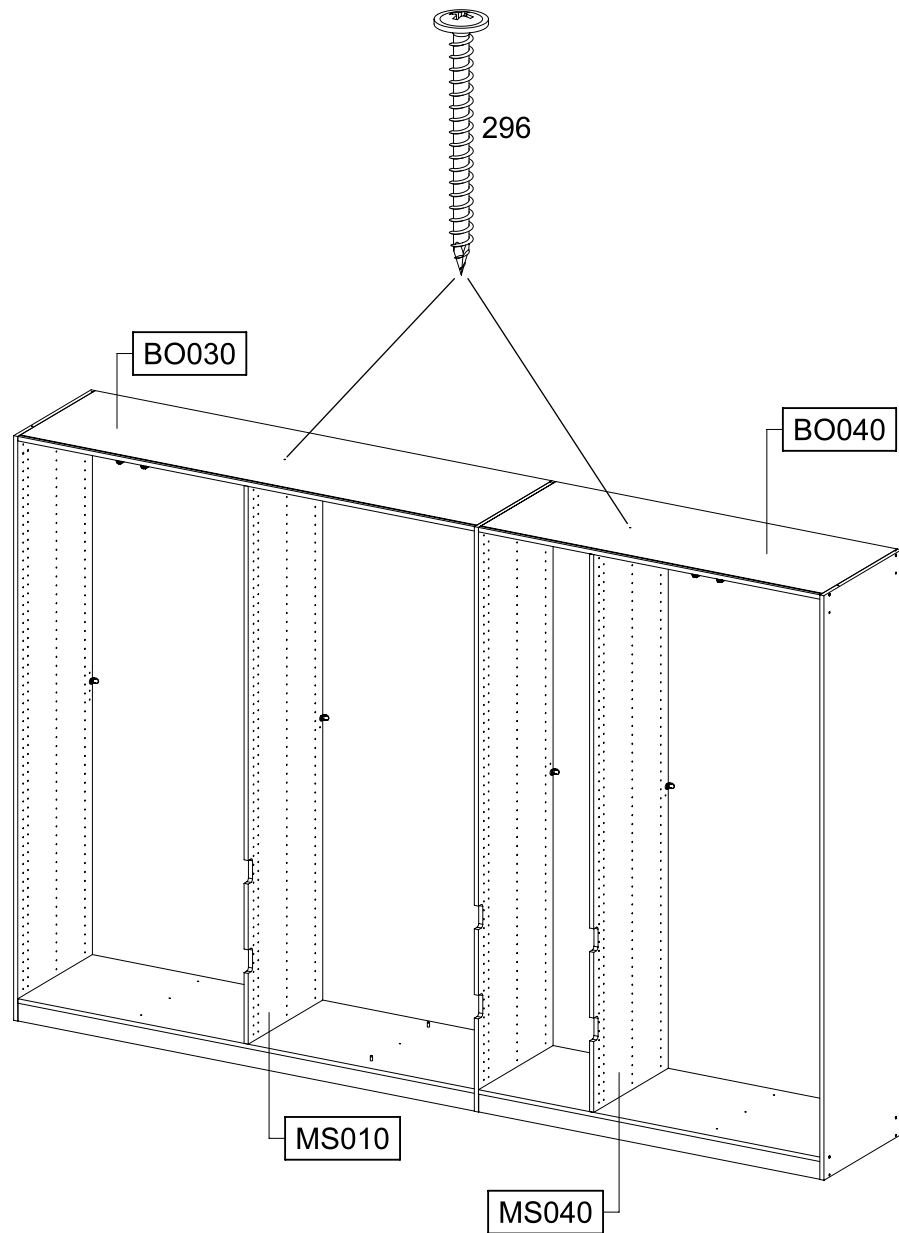
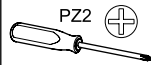
2.

779

31

2x 296

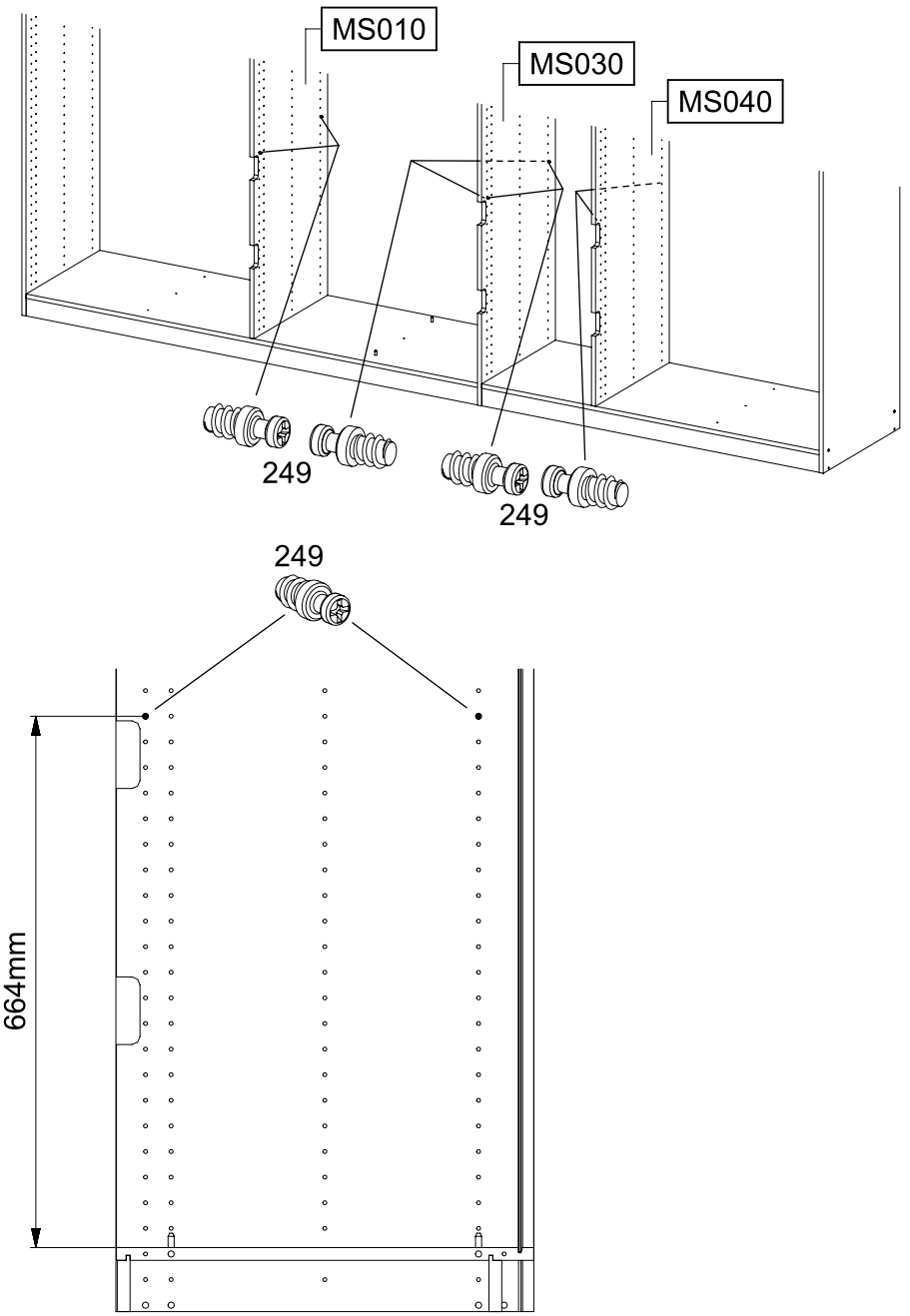
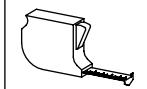
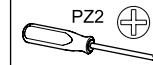
4,5x50

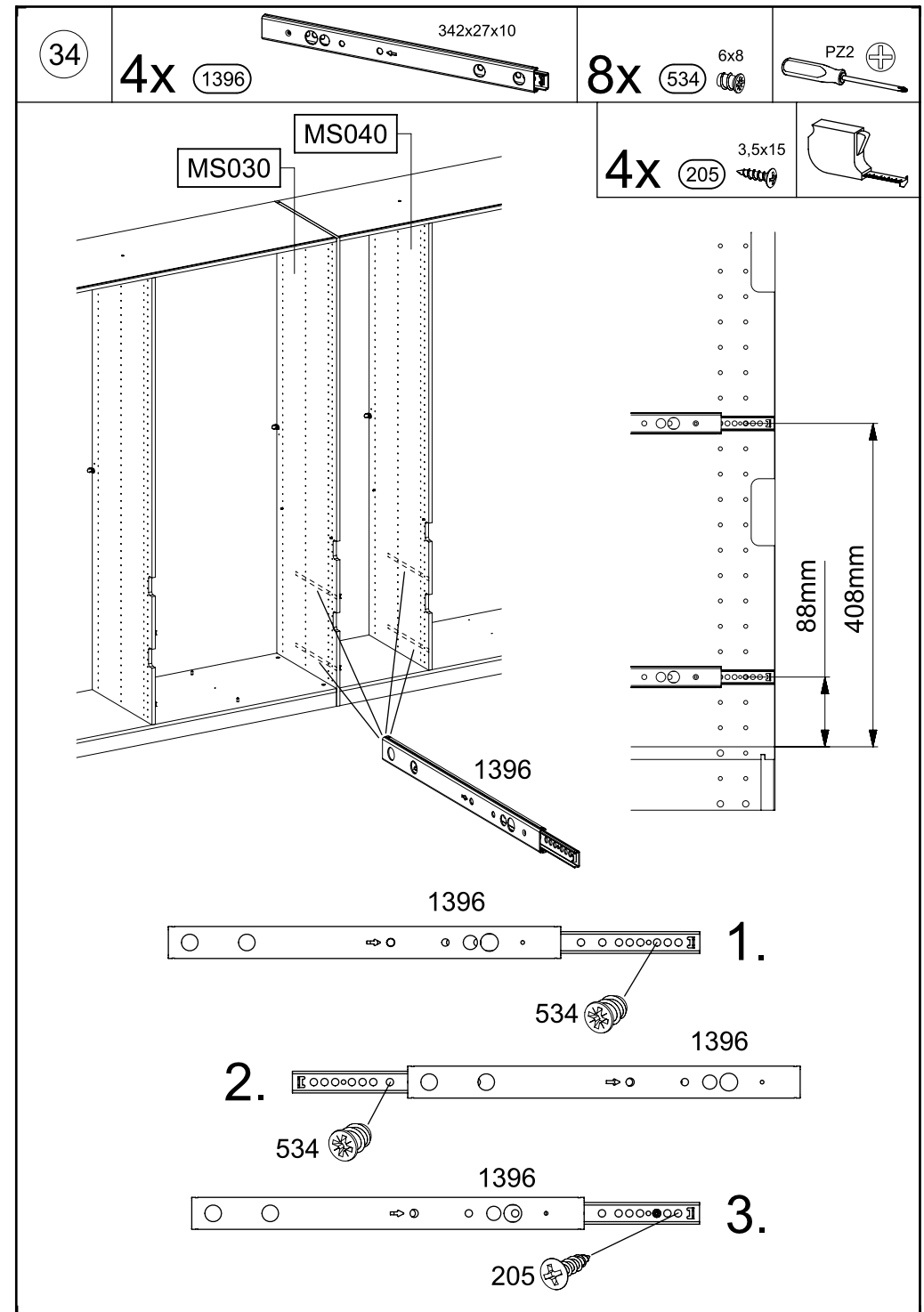
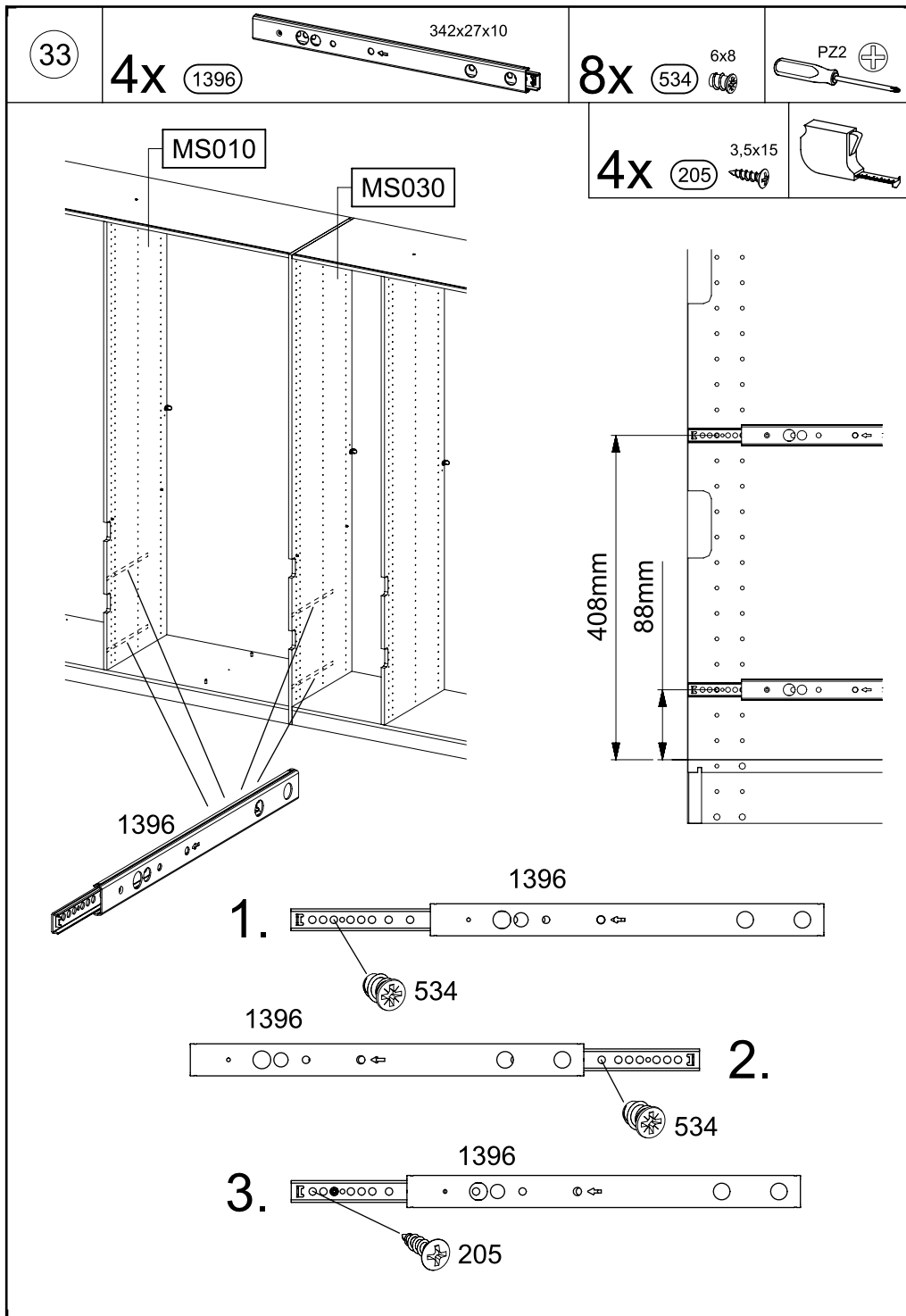


32

8x 249

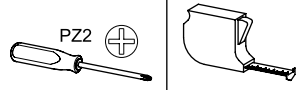
5,0x7,0





35

4x 249 5,0x7,0



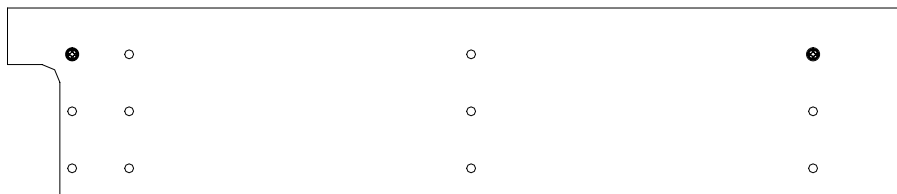
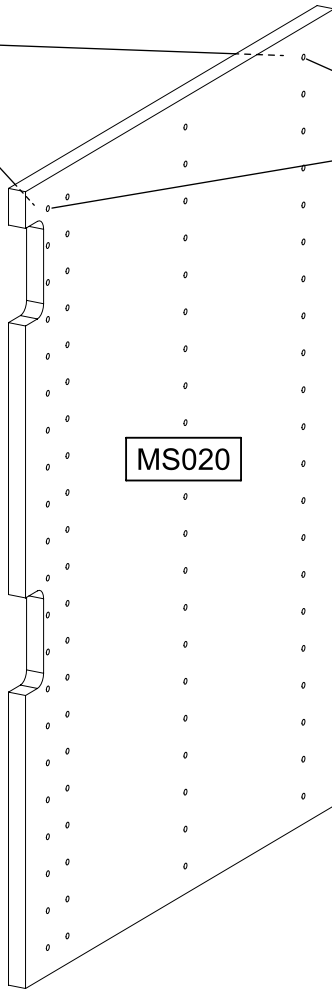
249



249

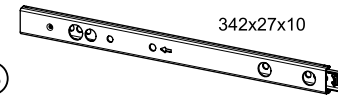


MS020

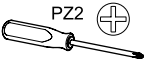


36

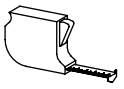
2x 1396



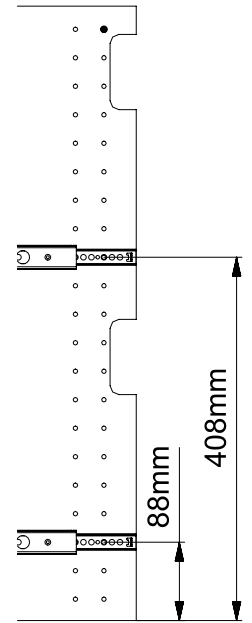
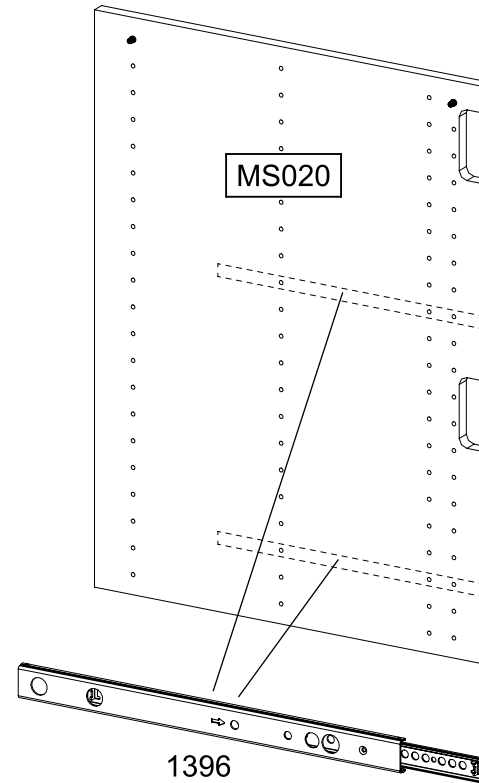
4x 534 6x8



2x 205 3,5x15

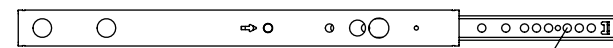


MS020



1396

1396



1.

534

1396

2.



534

1396

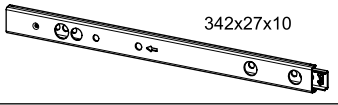


3.

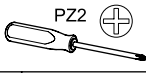
205

37

2x 1396

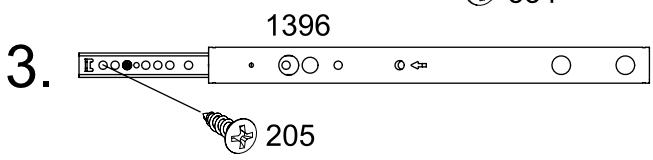
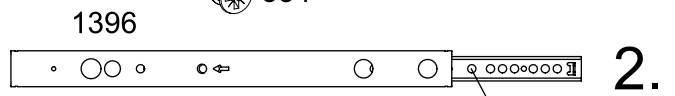
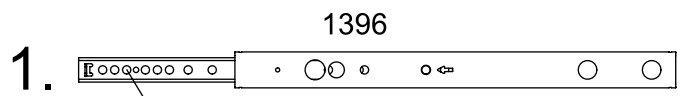
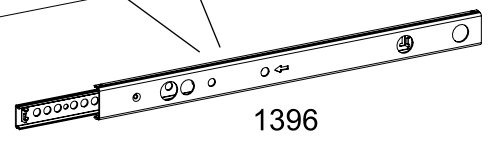
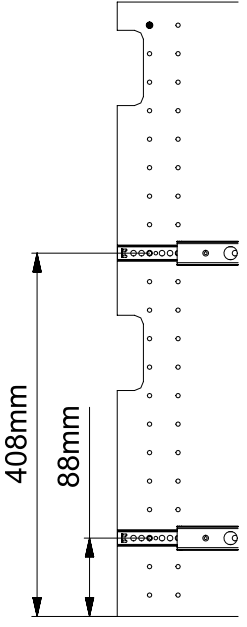
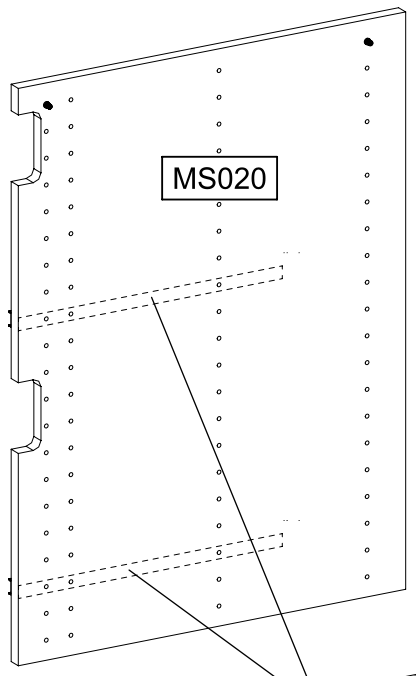
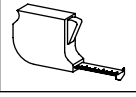


4x 534 6x8



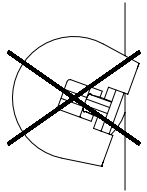
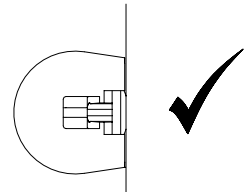
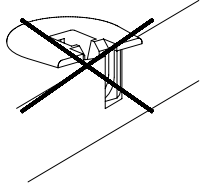
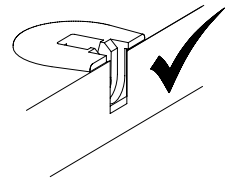
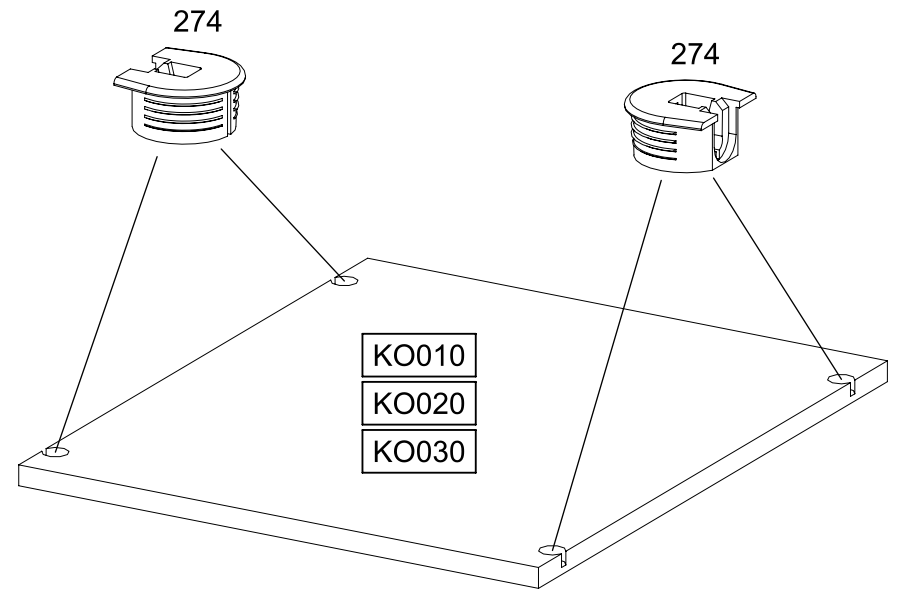
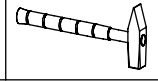
PZ2

2x 205 3,5x15



38

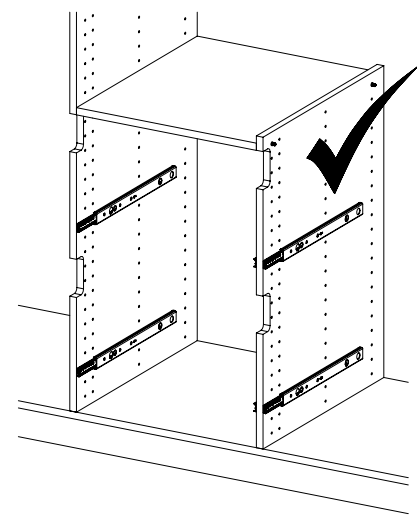
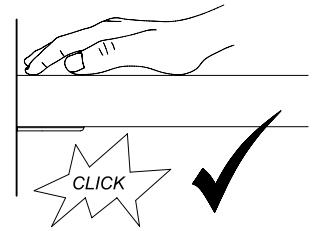
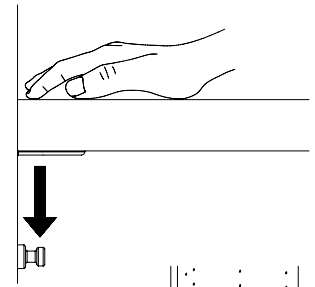
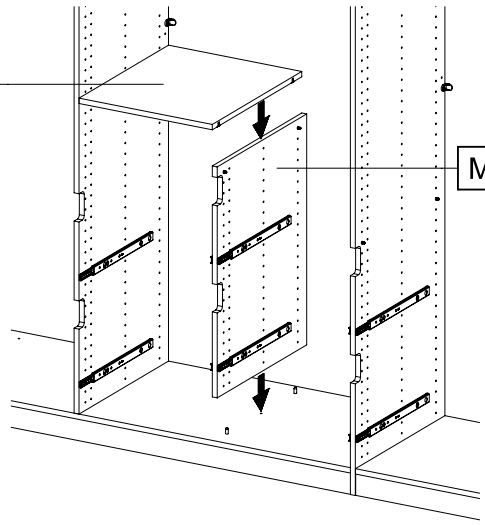
12x 274



39

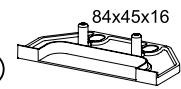
KO010

MS020



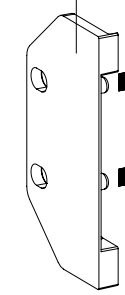
40

4x 1031



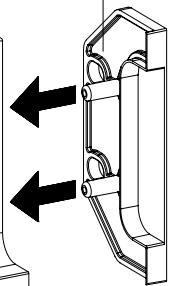
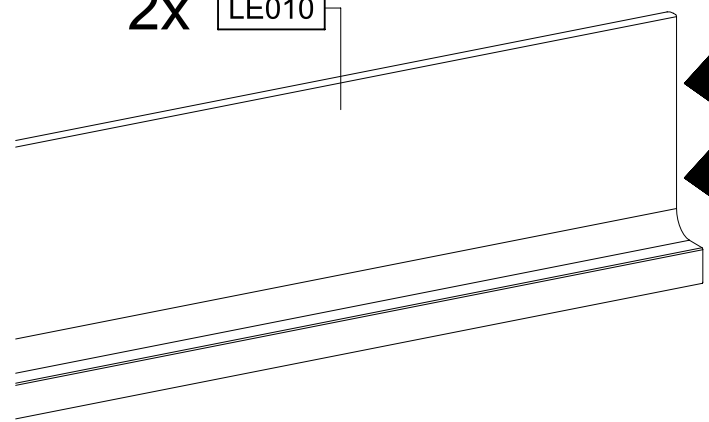
2x LE010

1031



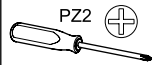
2x LE010

1031

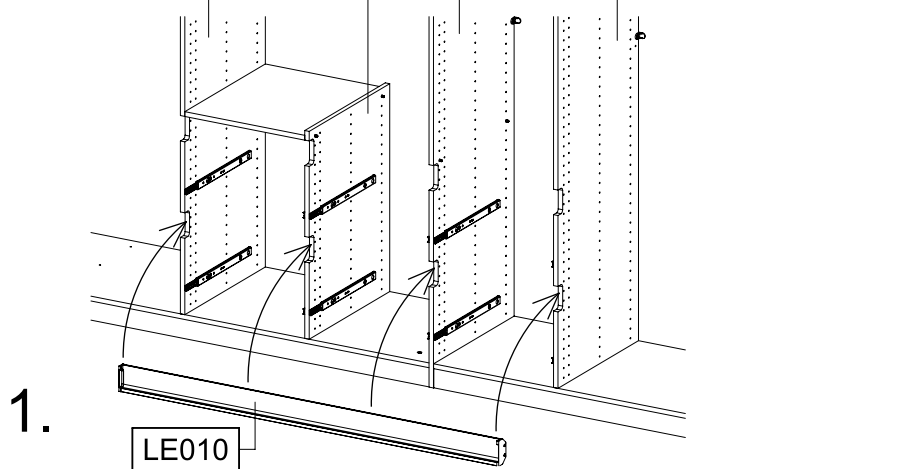


41

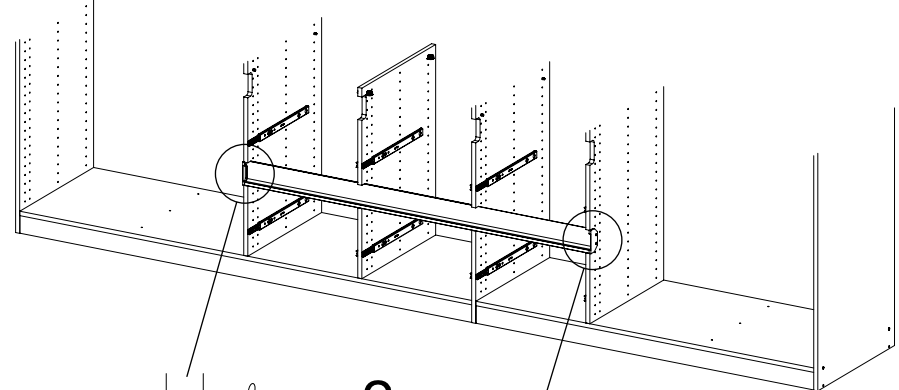
4x 779 6,5x12



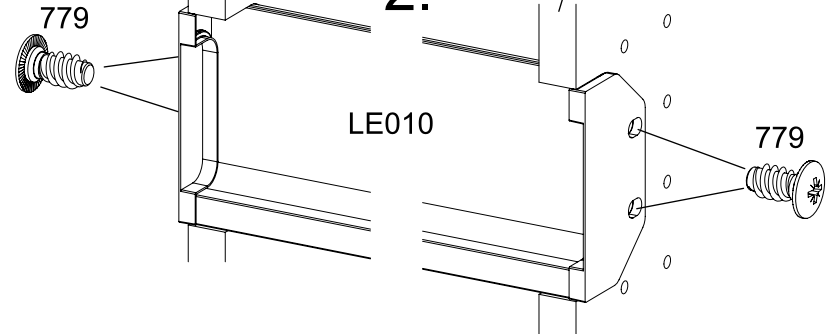
MS010 MS020 MS030 MS040



1.



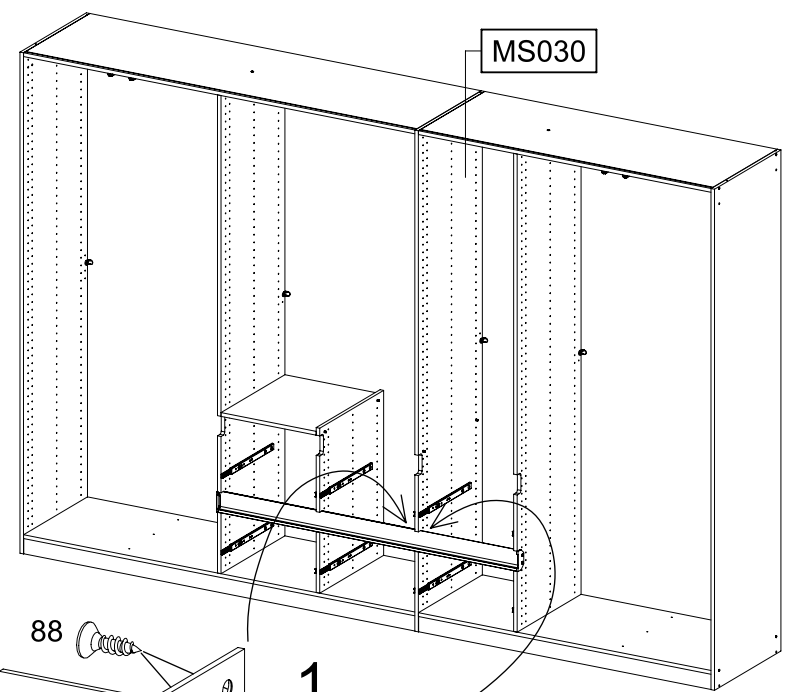
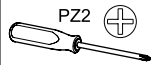
2.



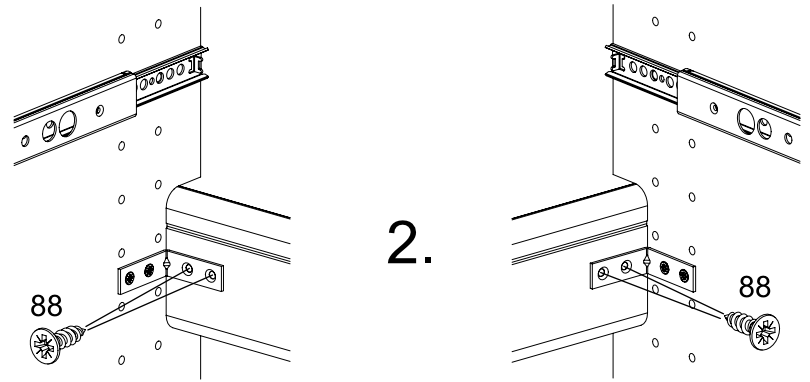
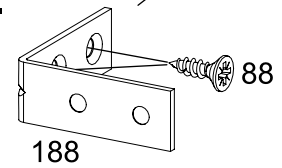
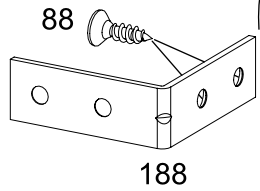
42

8x 88 3,5x12

2x 188 40x40x2,0



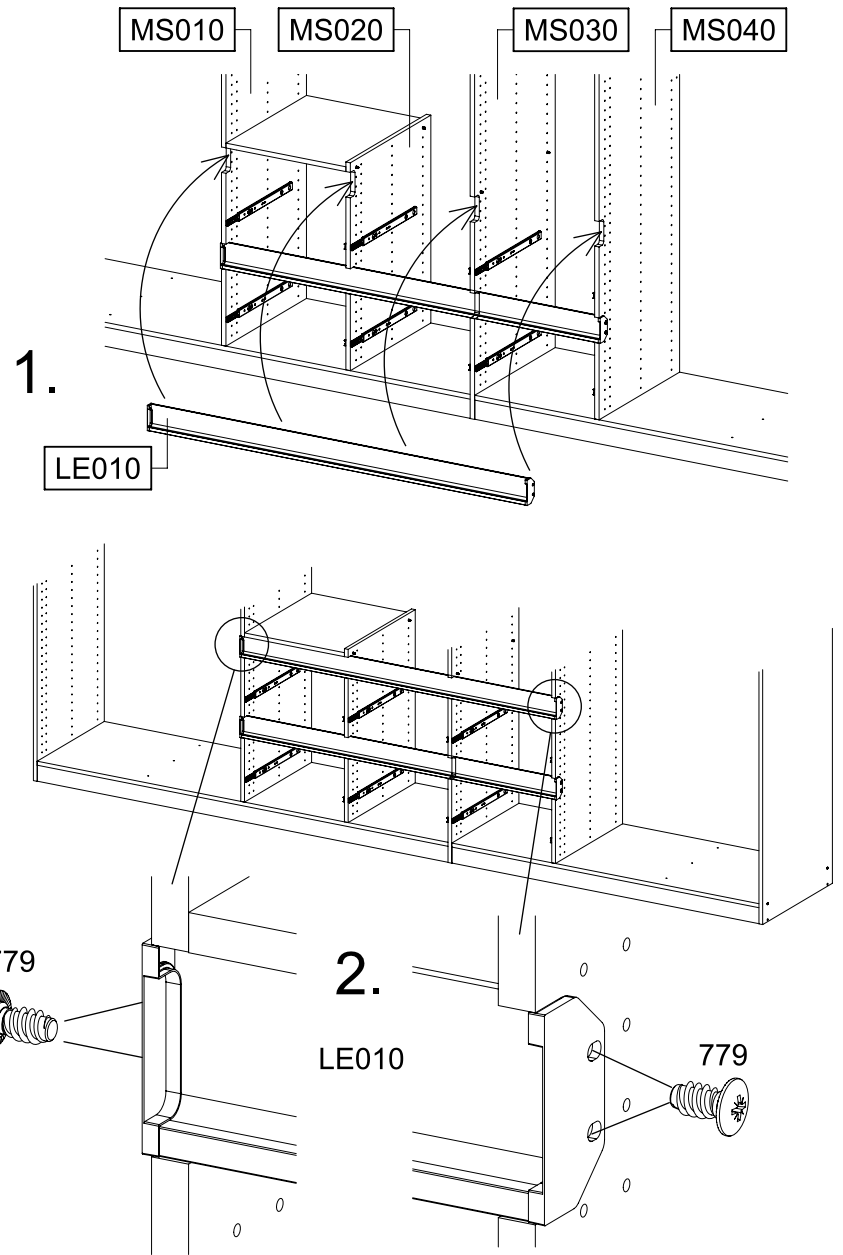
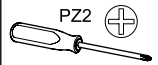
1.



2.

43

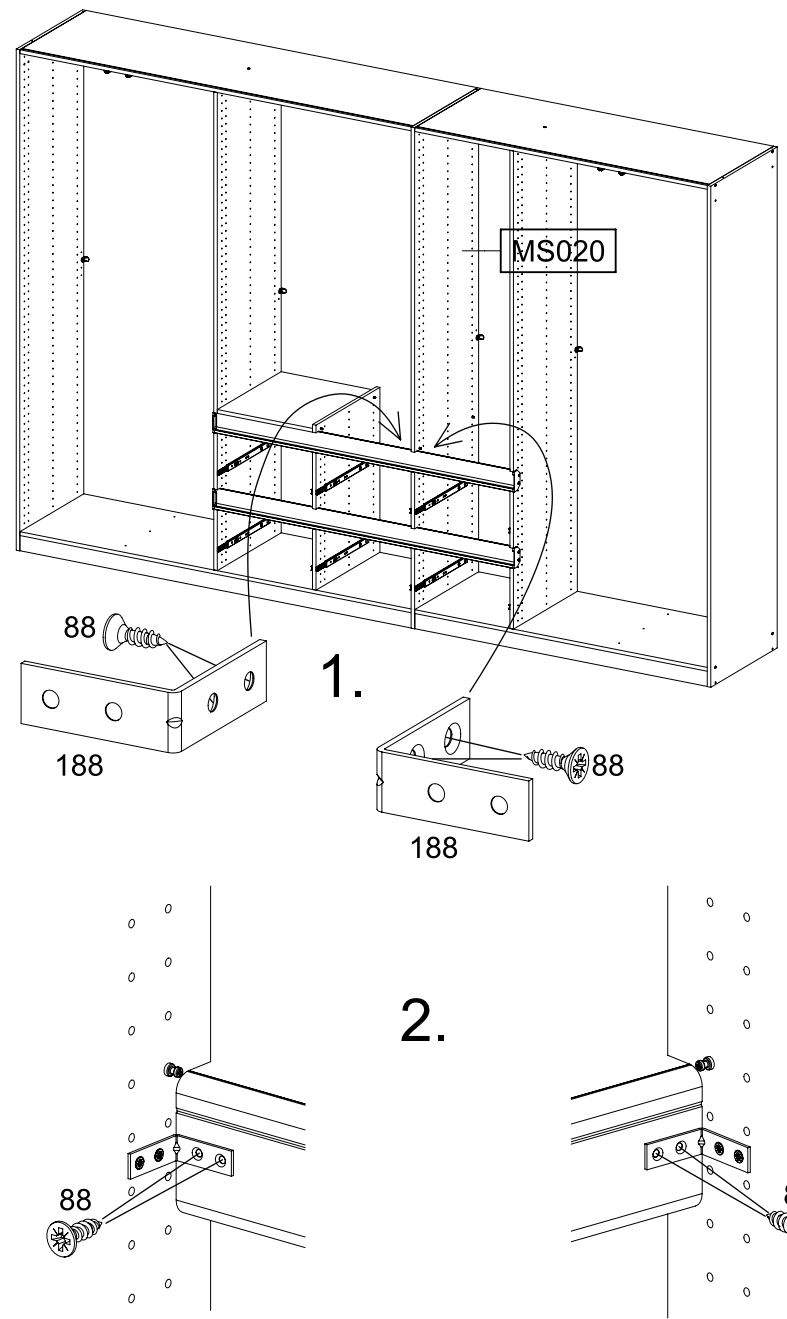
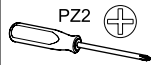
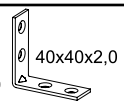
4x 779 6,5x12



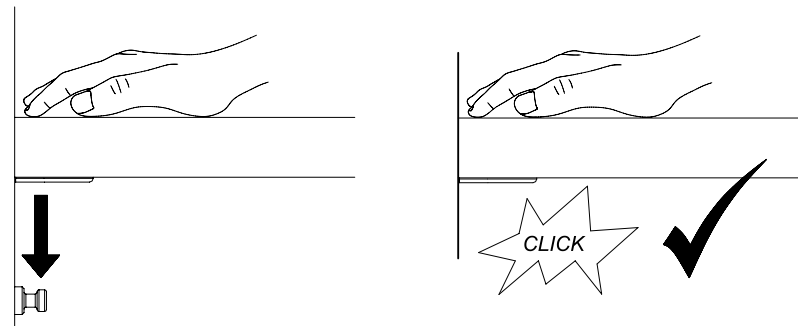
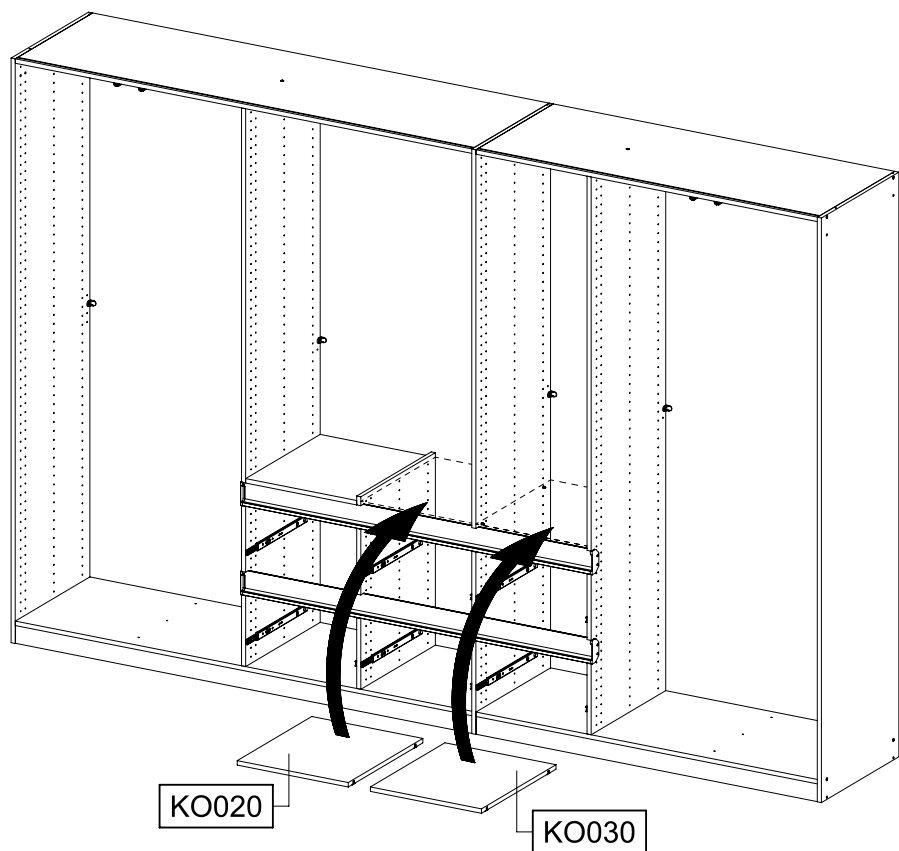
44

8x 88 3,5x12

2x 188



45



46

0-3x

12

55x16x6,2

4x

201

4x15

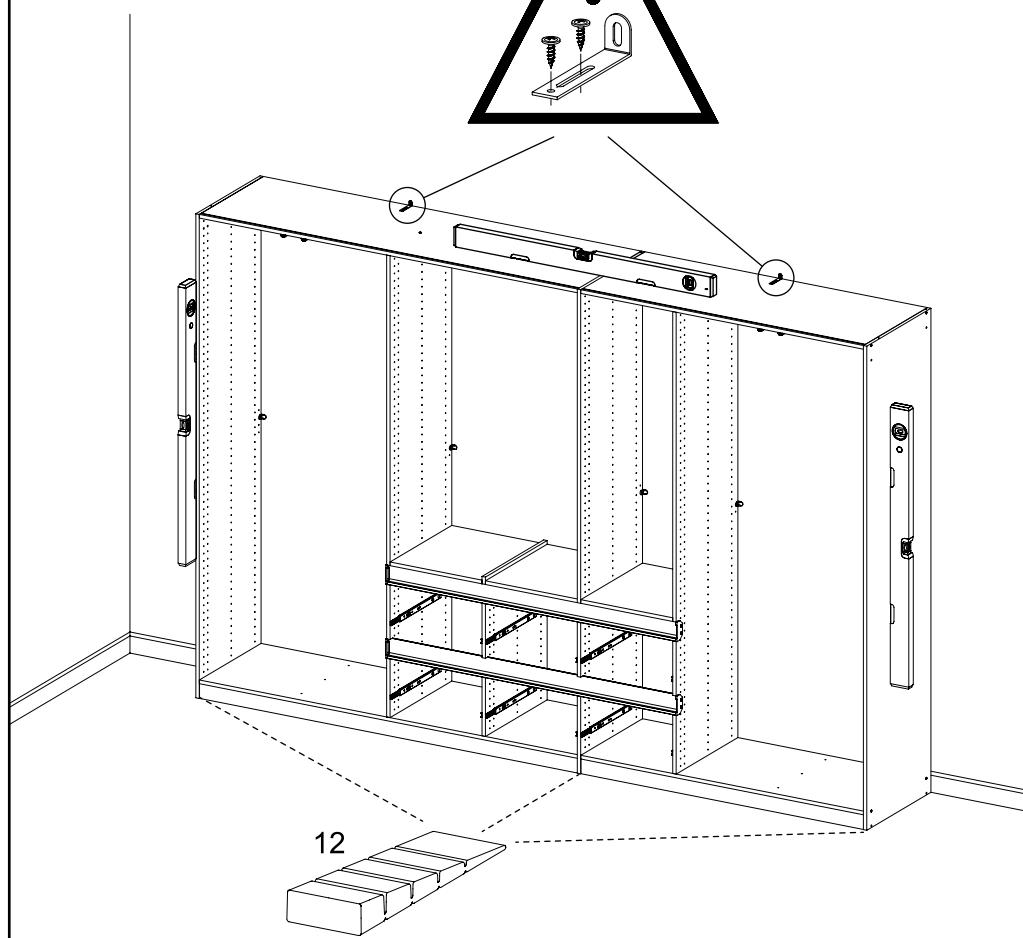
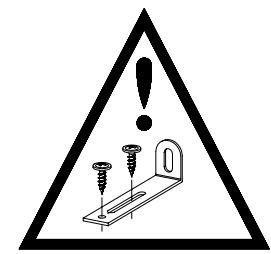
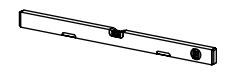
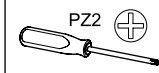
2x

68

77x22x15

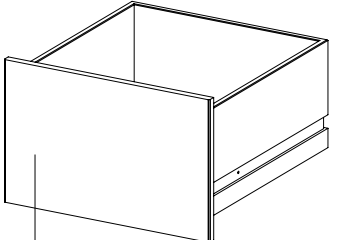
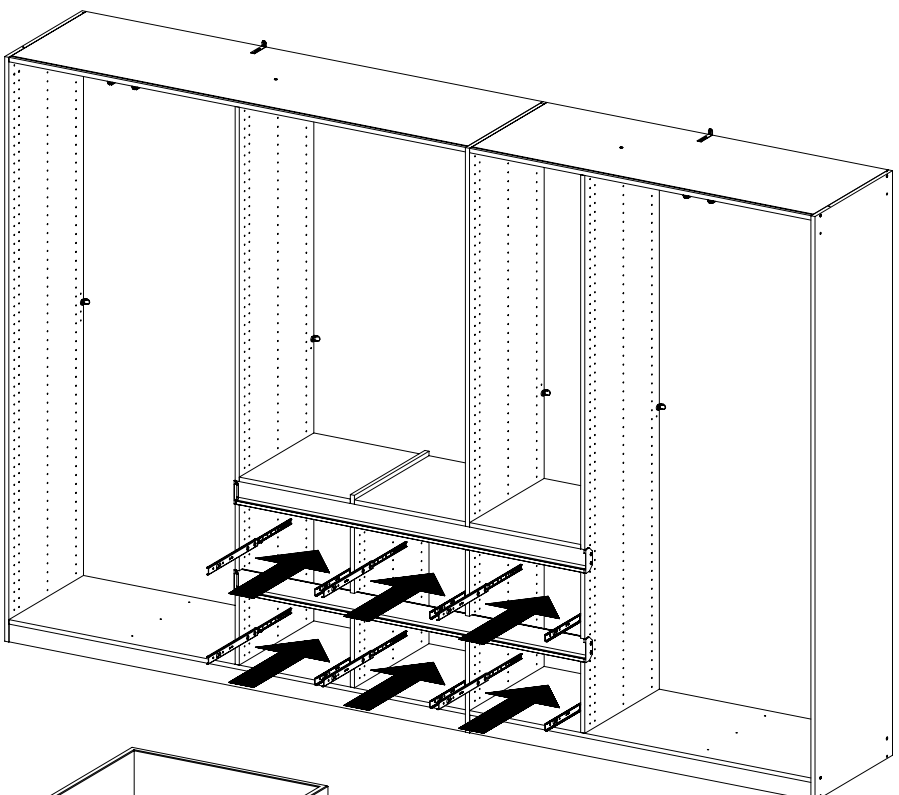
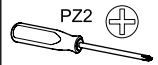


SCAN ME

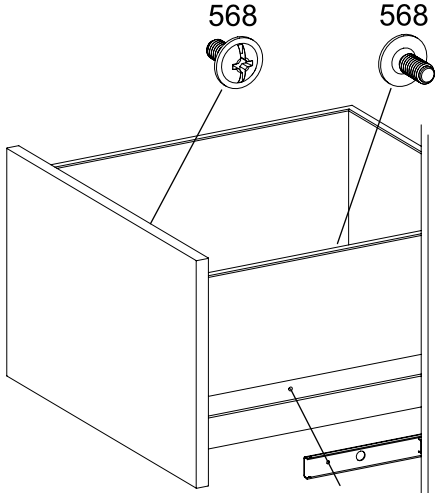


47

8x 568 M4x9

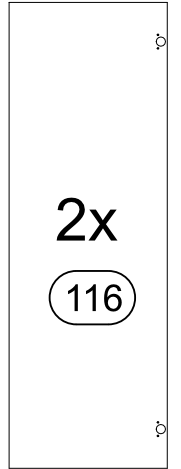
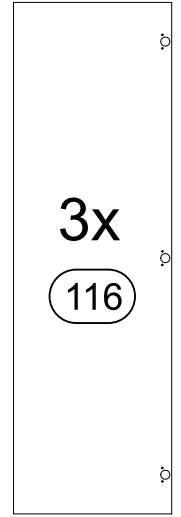
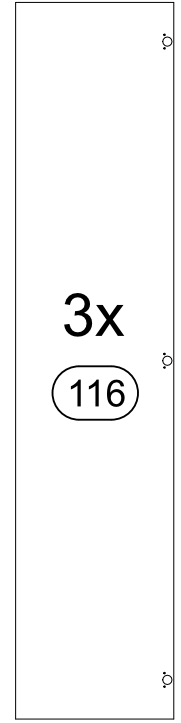
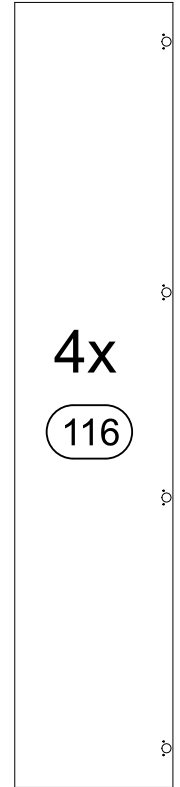
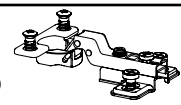


SK010 ... SK060



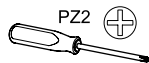
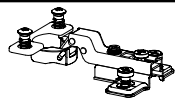
48

116

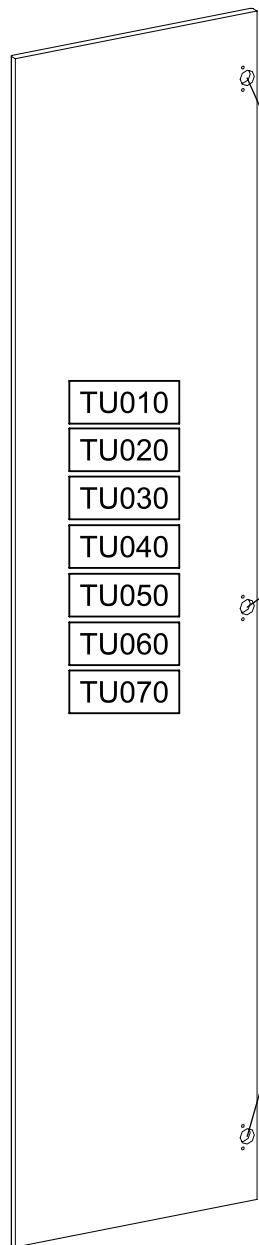


49

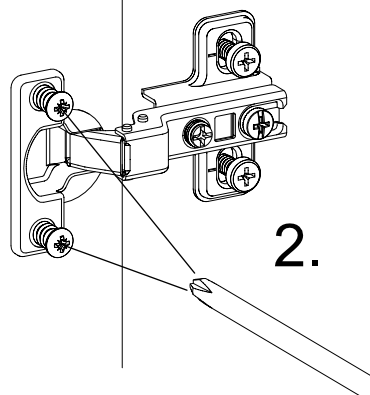
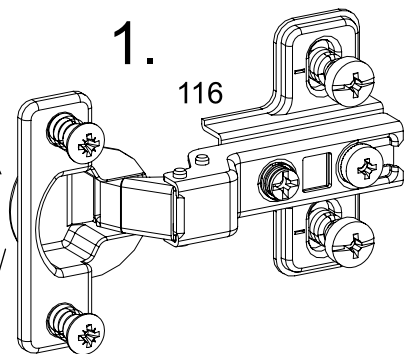
21x 116



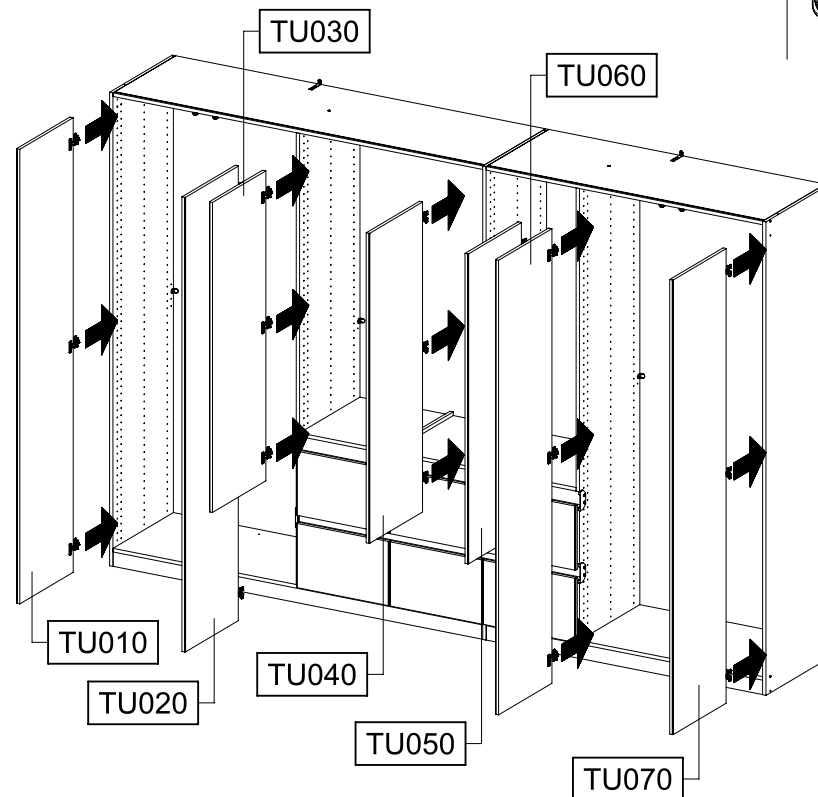
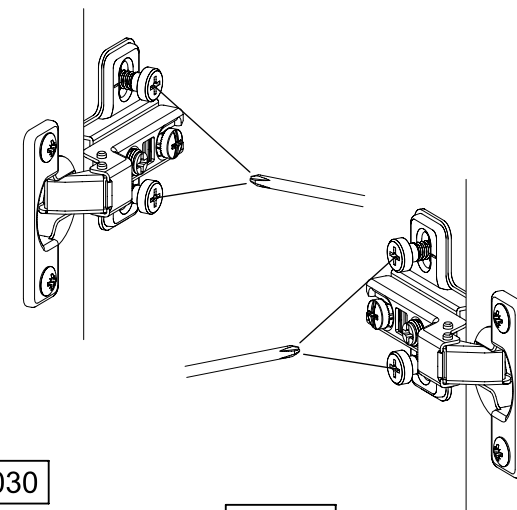
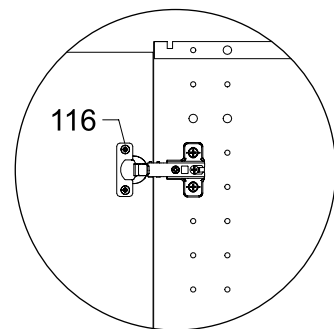
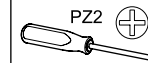
SCAN ME



- TU010
- TU020
- TU030
- TU040
- TU050
- TU060
- TU070



50



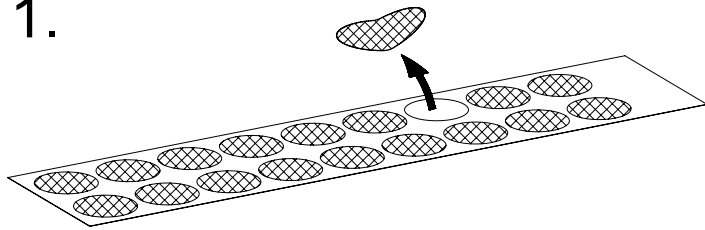
51

1x RE010

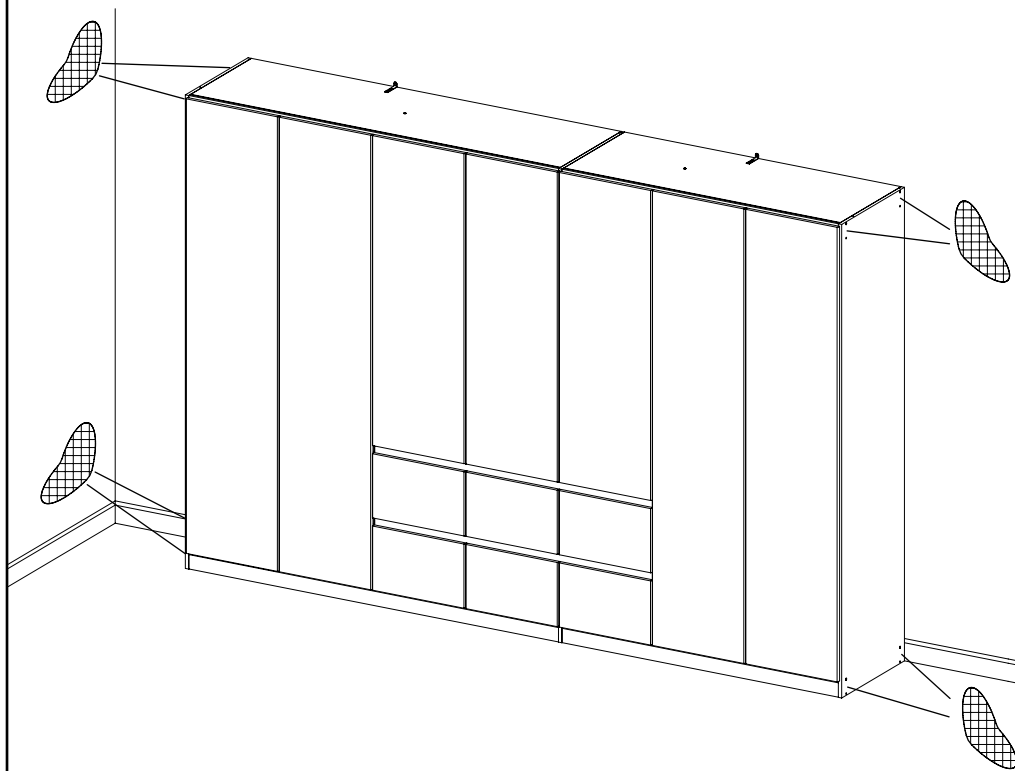
RE010



1.

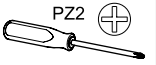


2.

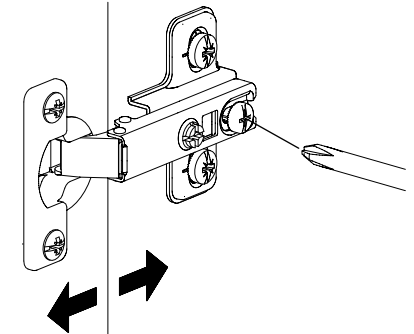
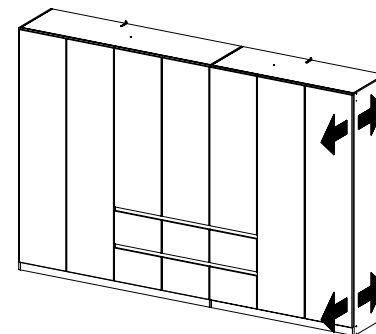
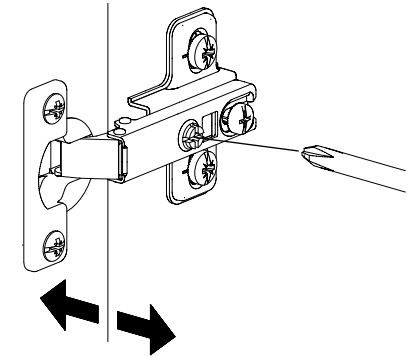
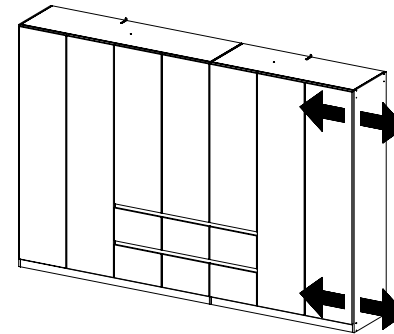
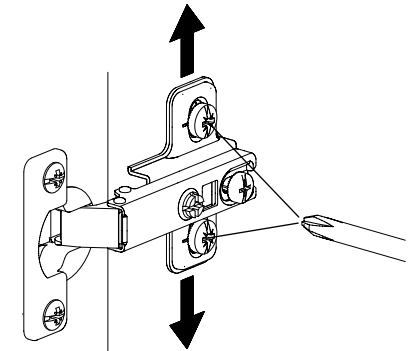
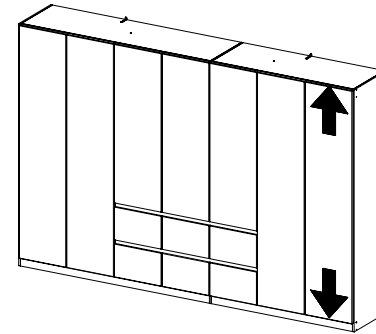


52

PZ2



SCAN ME



53

