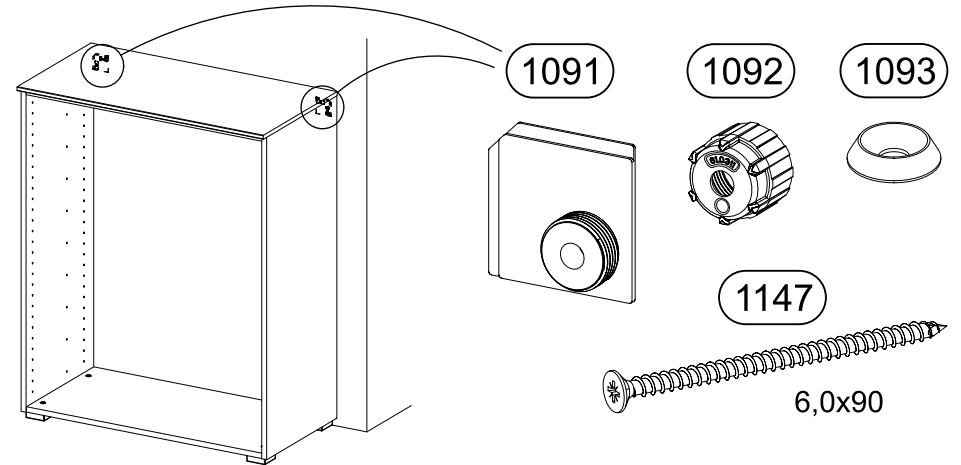
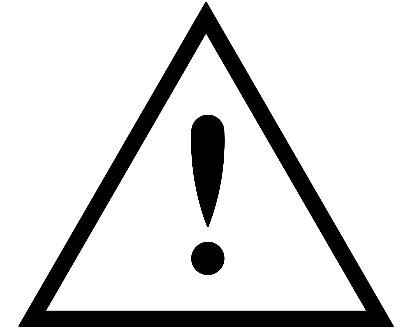
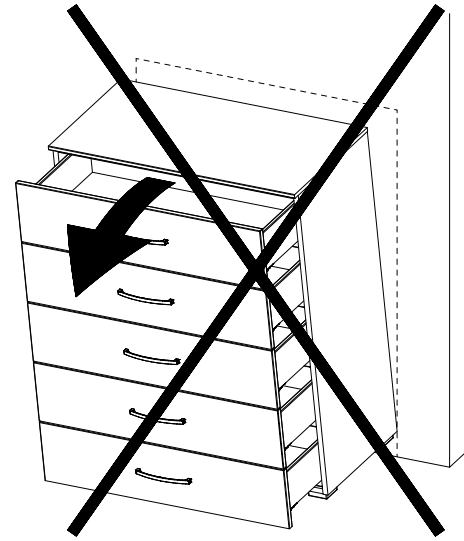
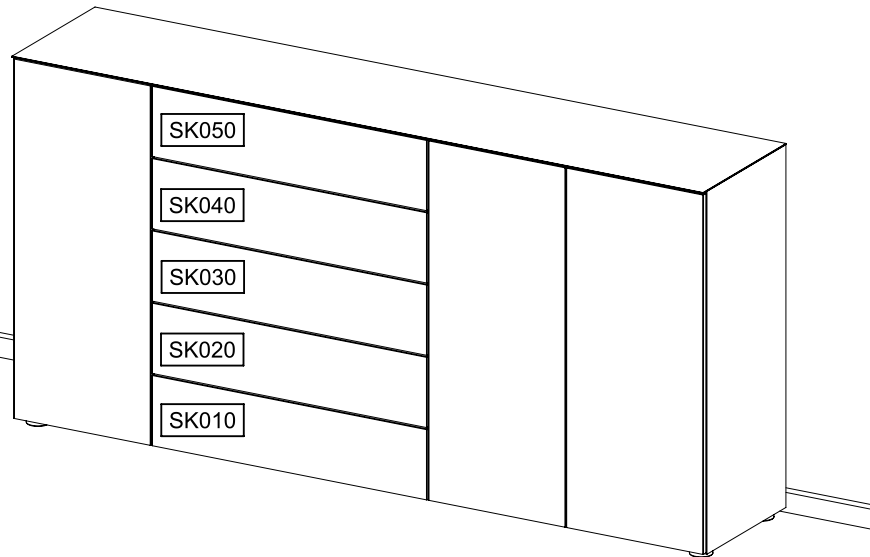
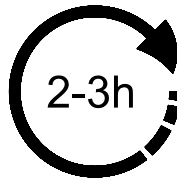
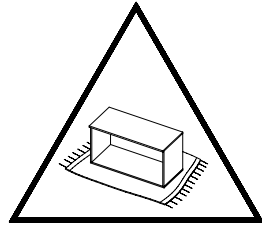
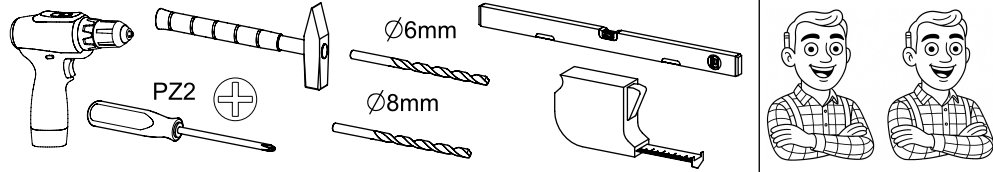
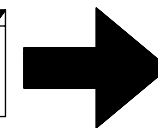


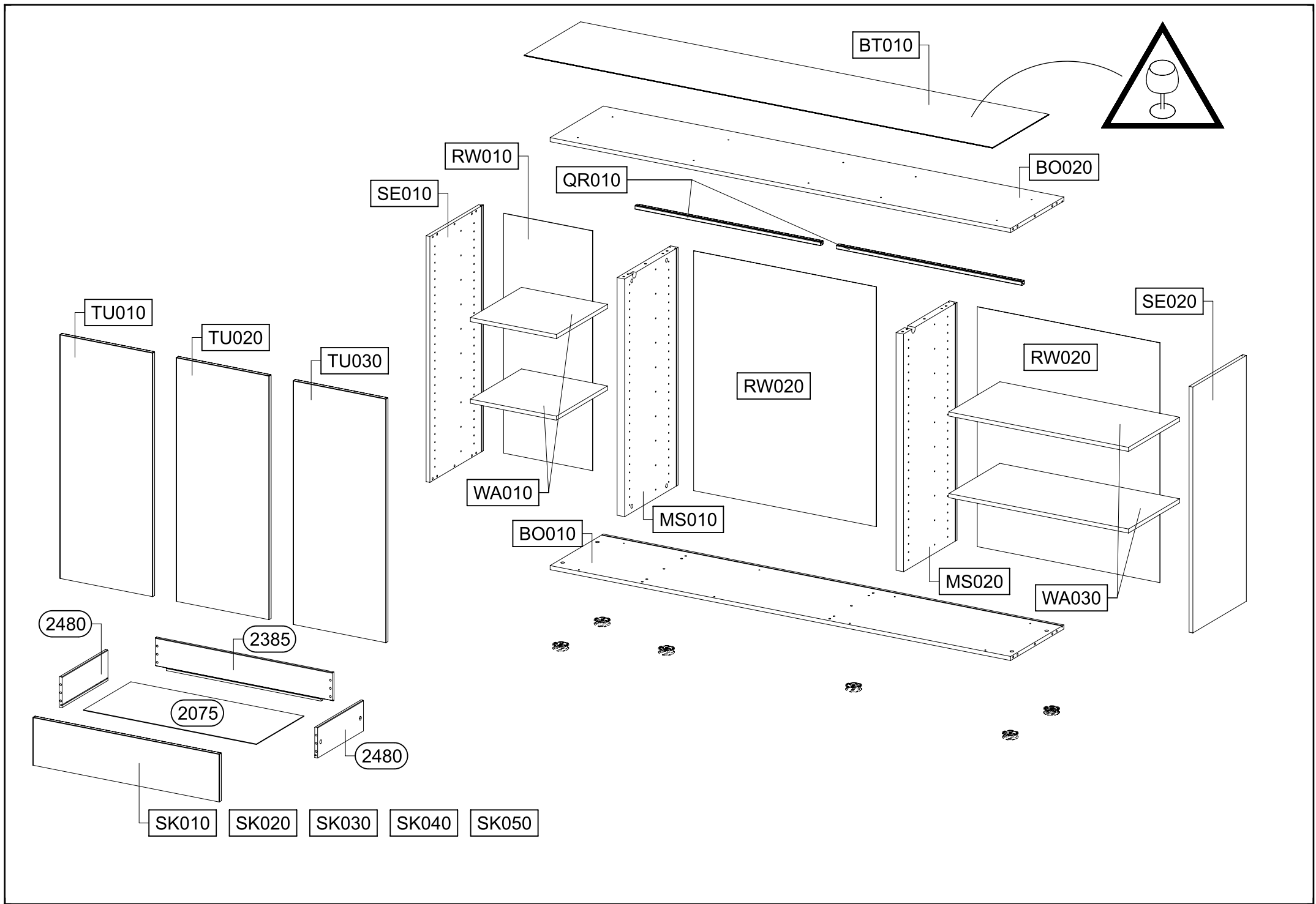
M3176_02


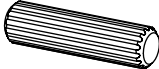

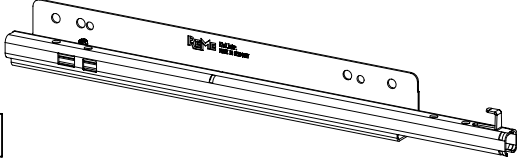
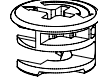
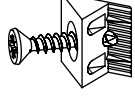
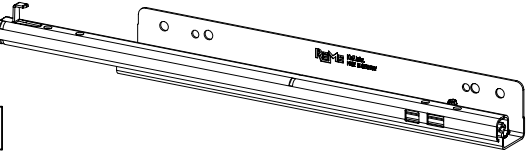


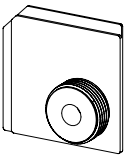
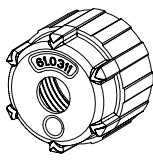

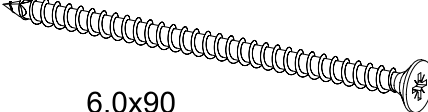
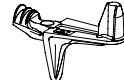
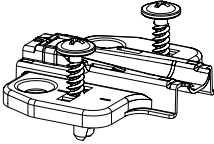
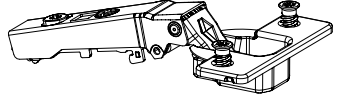
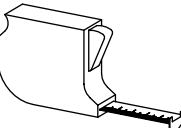
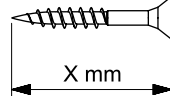
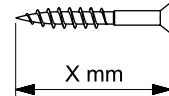
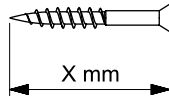


VIDEO

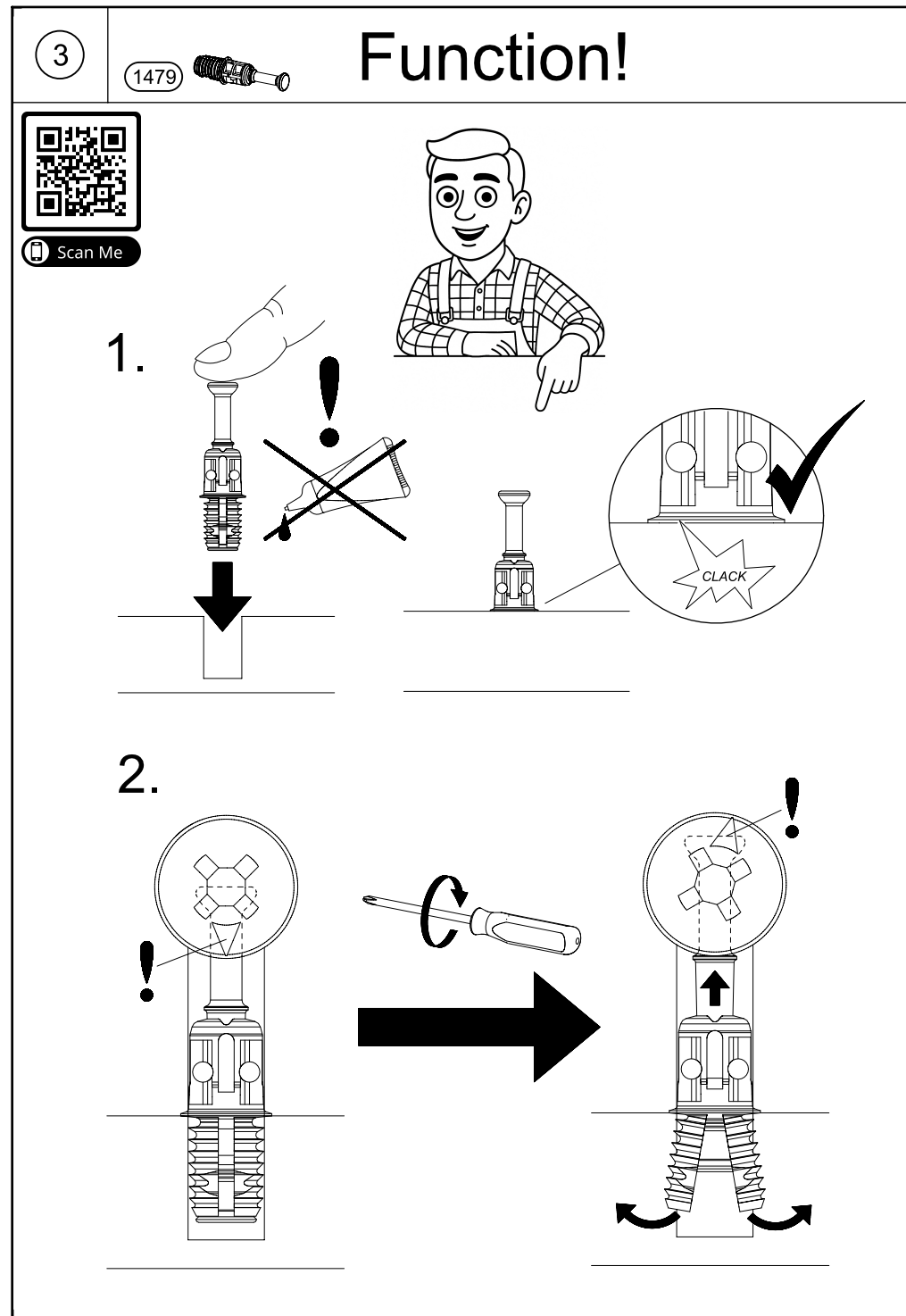
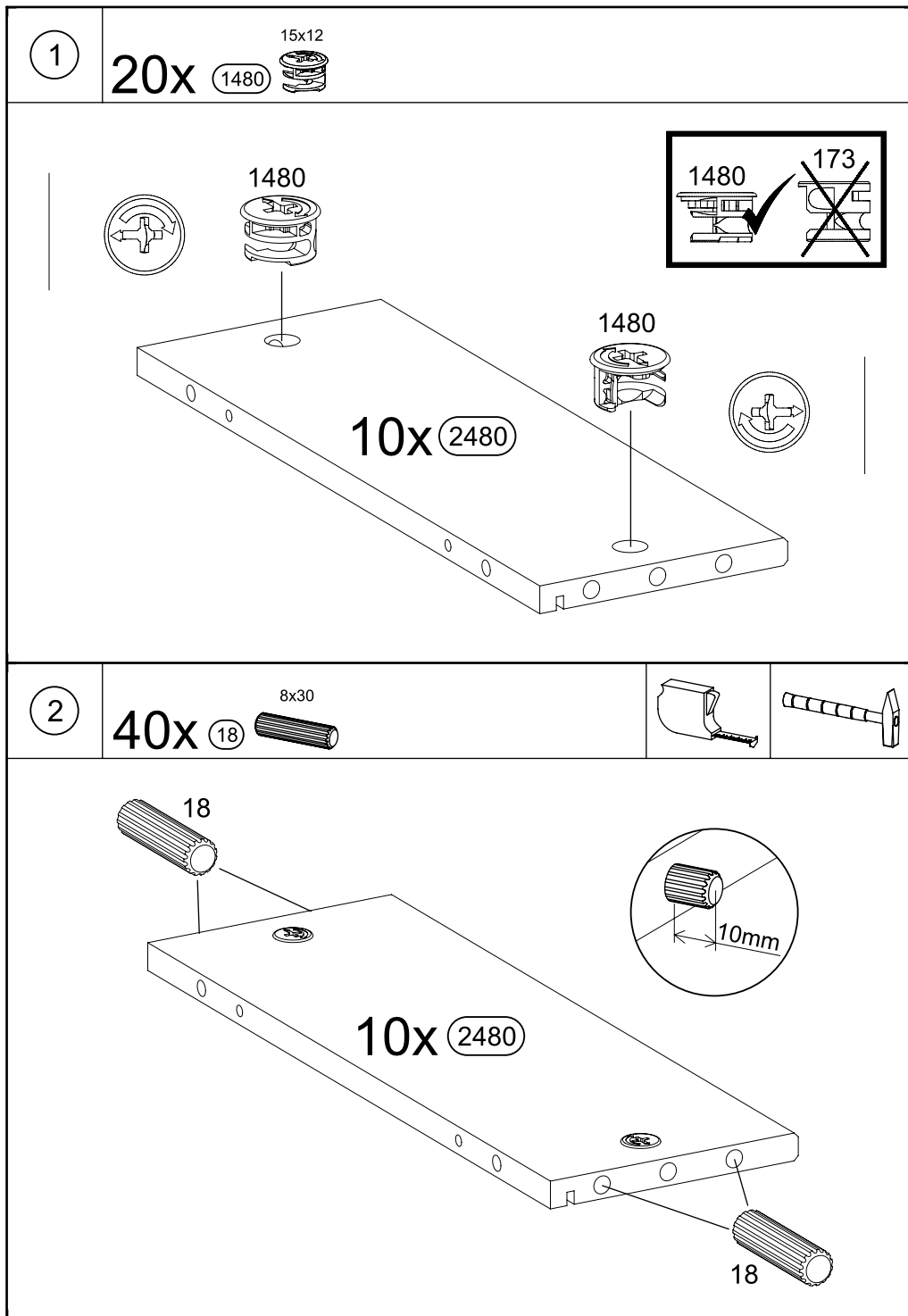


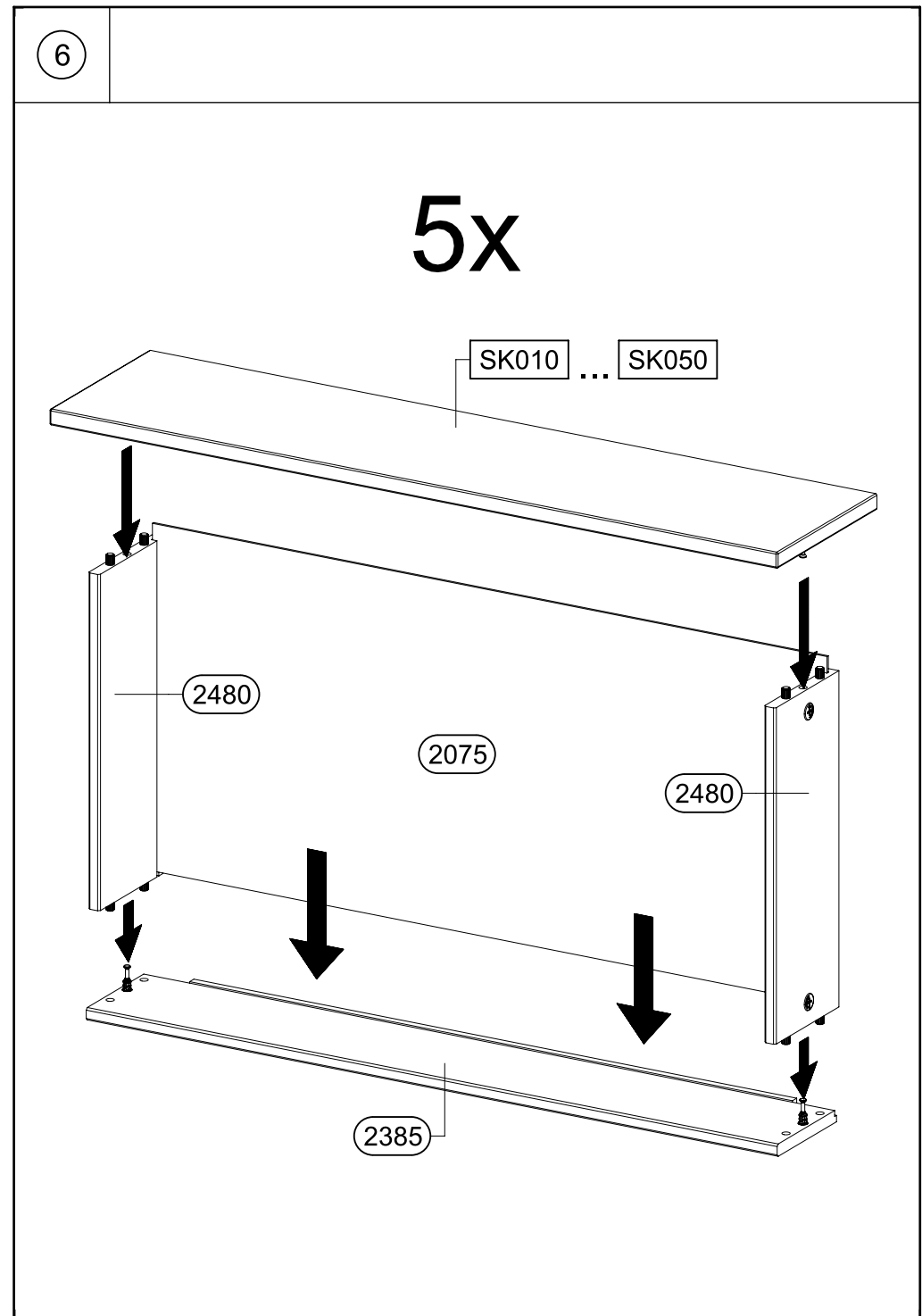
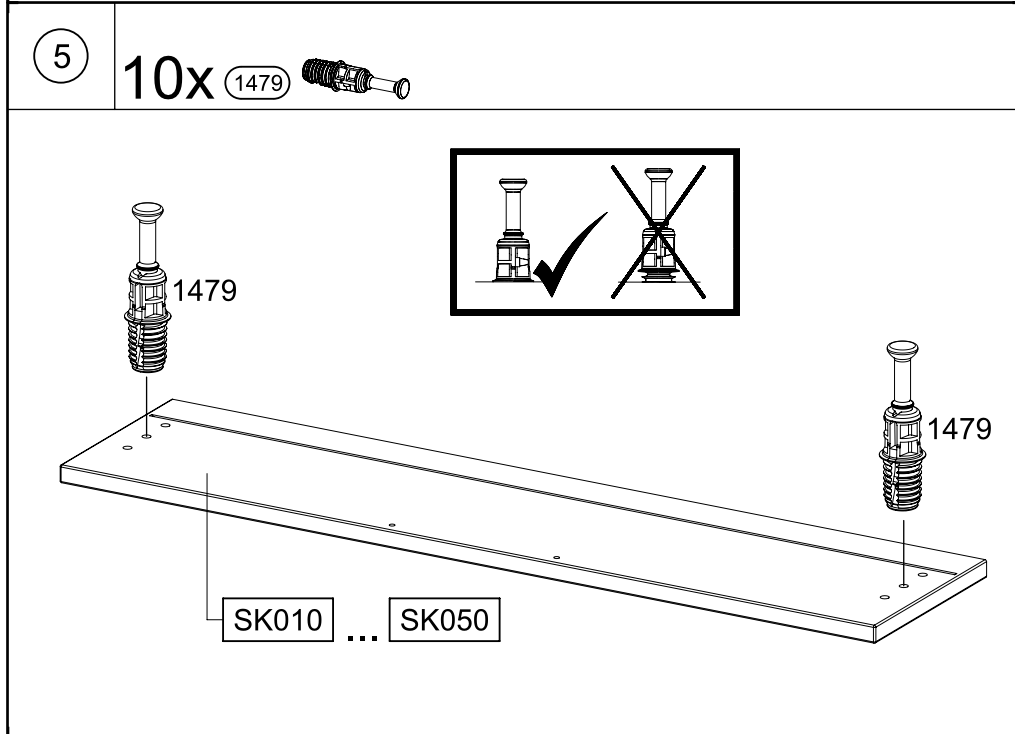
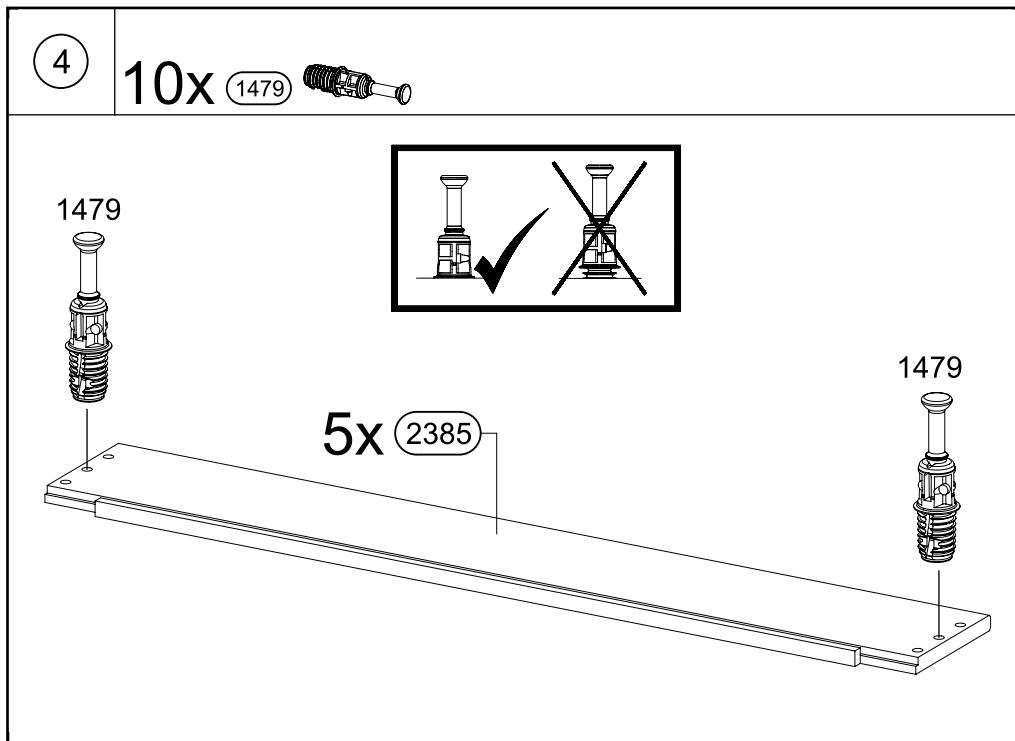
SCAN ME

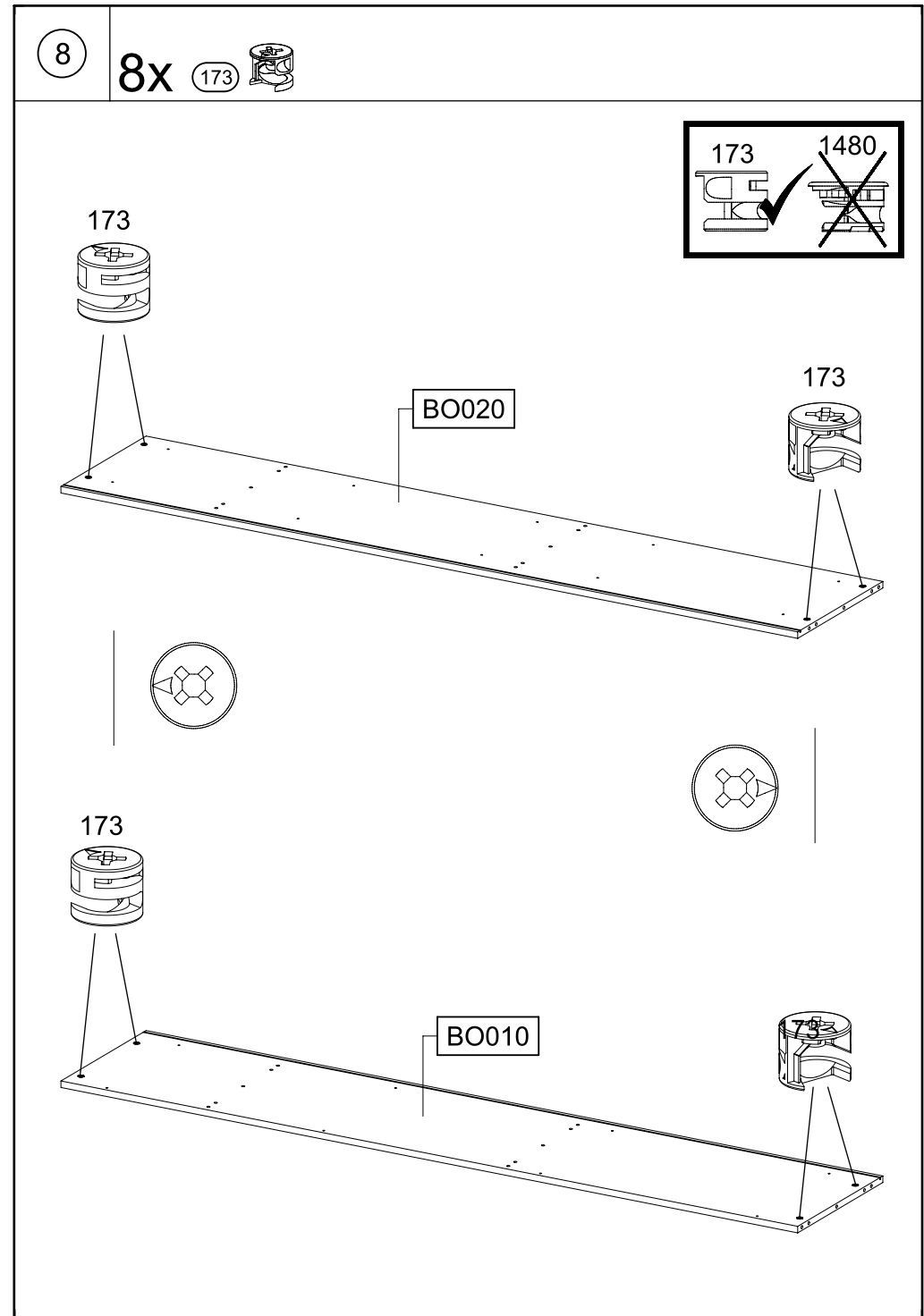
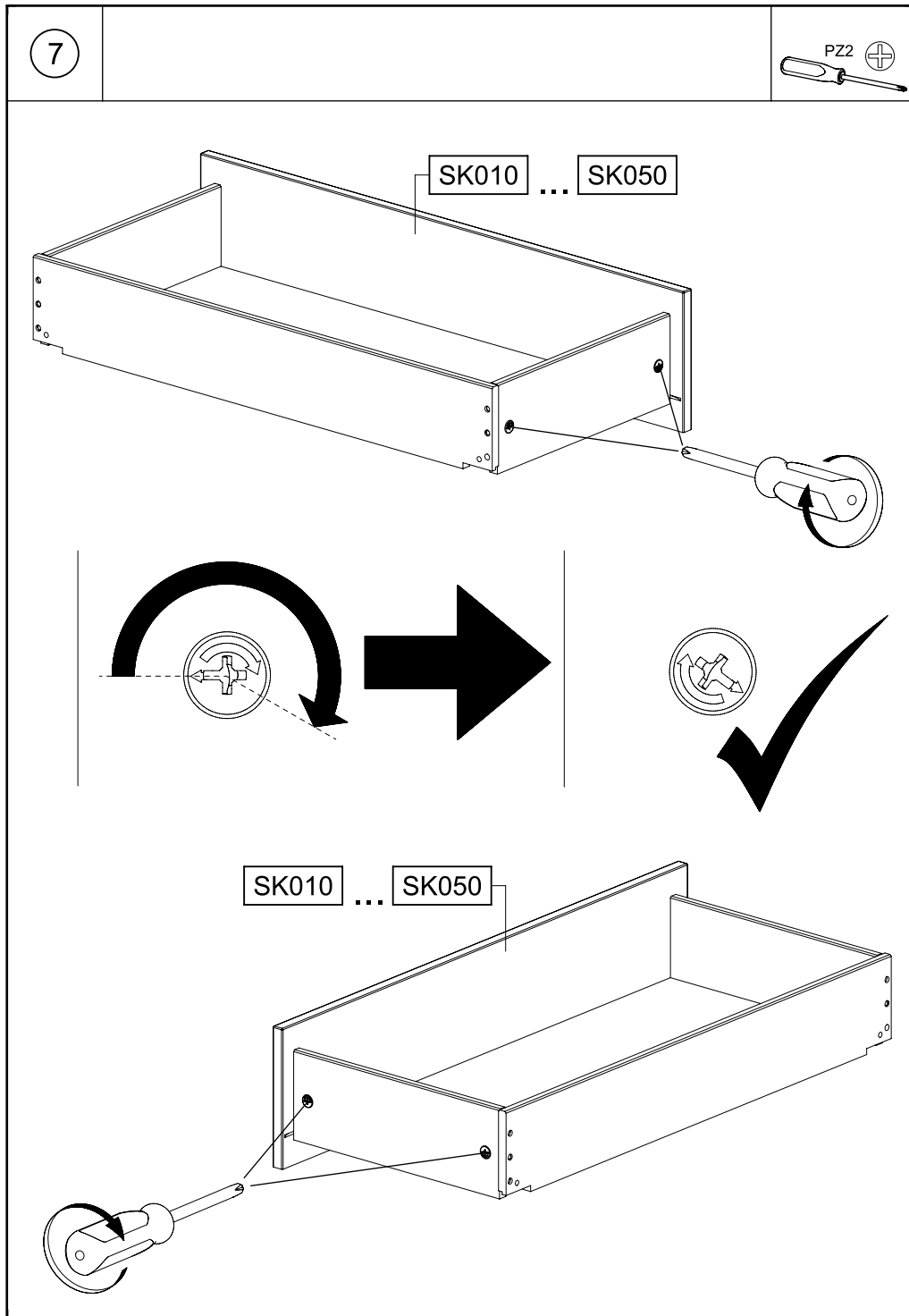


20x 4x15 836 	64x 8x30 18 	20x 6,3x9 792 
5x UF010 	20x 15x12 1480 	12x 45 
5x UF020 	36x 1479 	10x 852 
2x 1091 	2x 1092 	2x 1093 
2x 1147 6,0x90 	16x 1089 	
6x 1415 	6x 1421 	
		
		

2x 1406 	2x 1407 
	
	
	
	





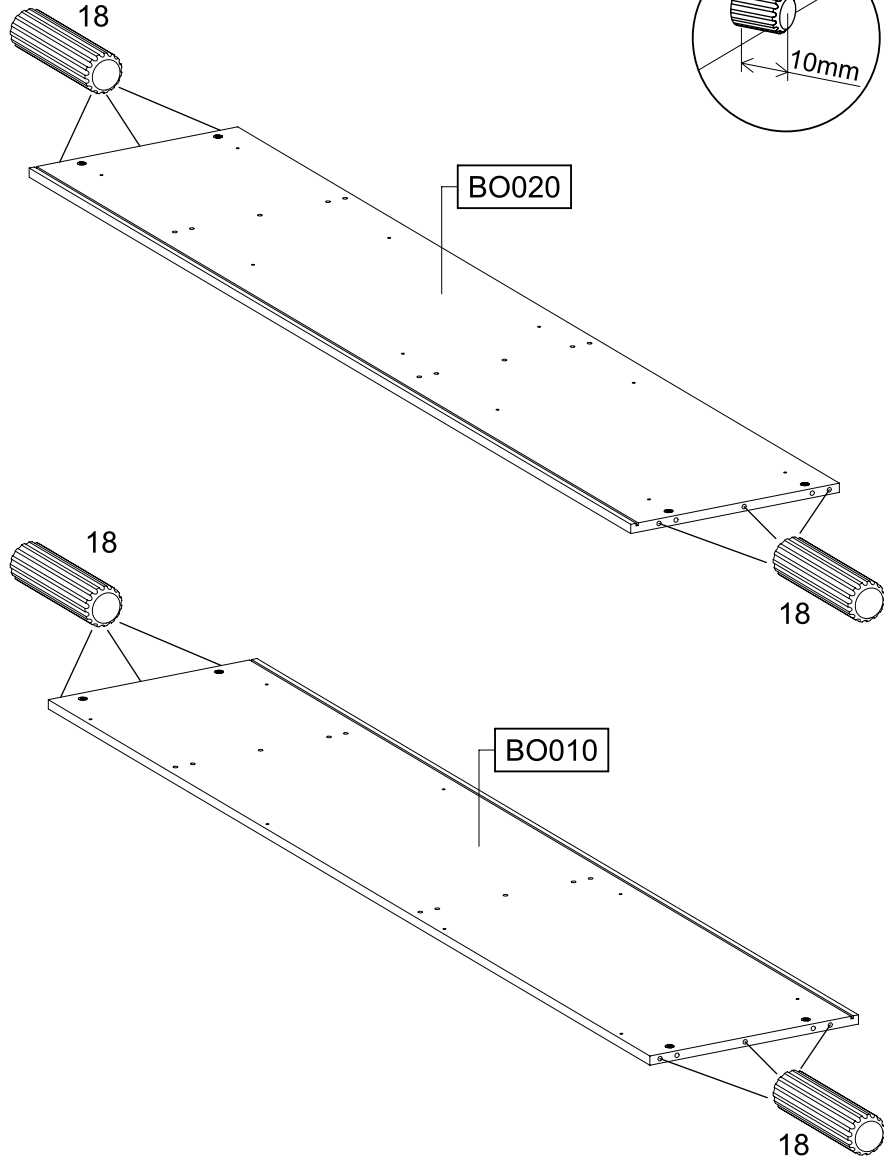
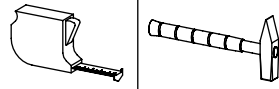


9

12x

18

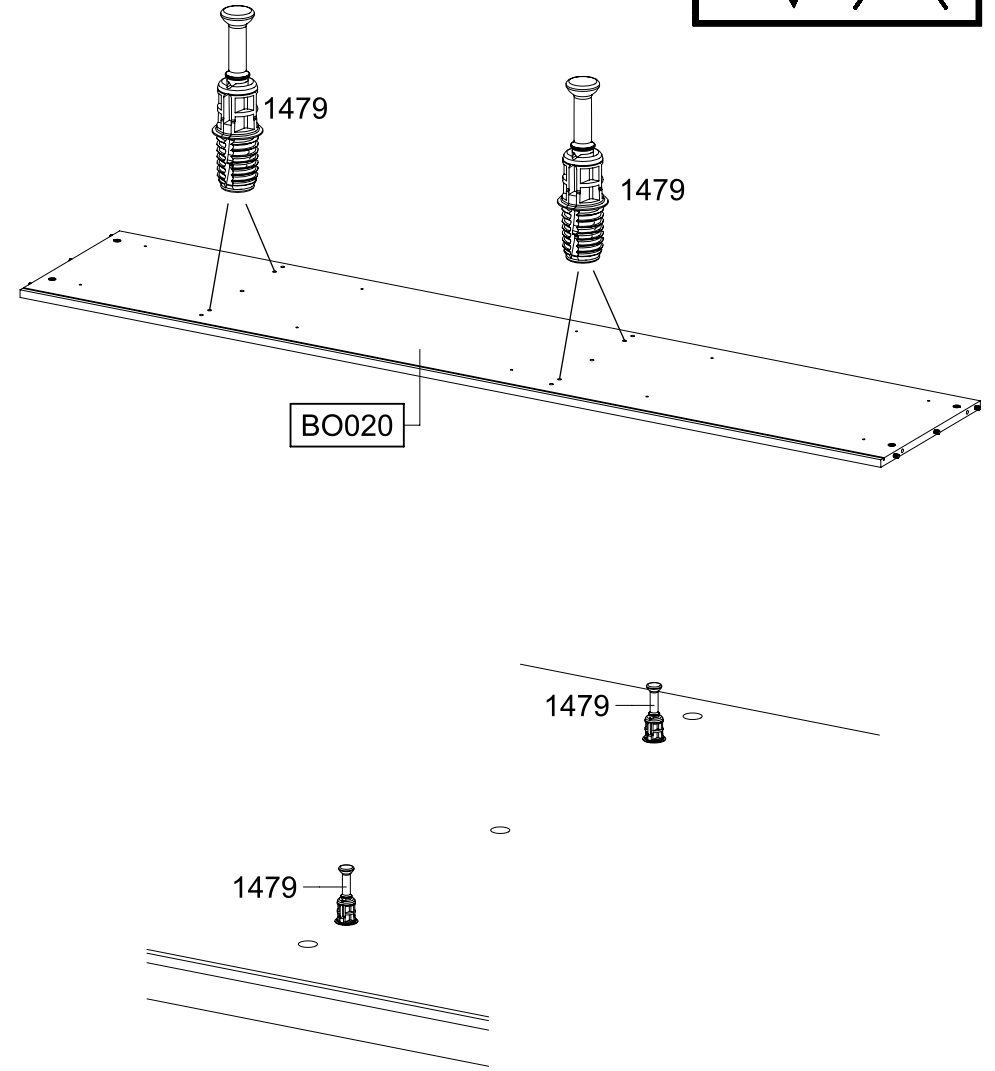
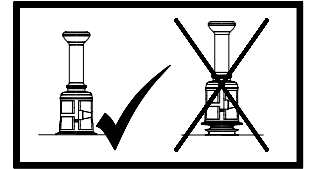
8x30



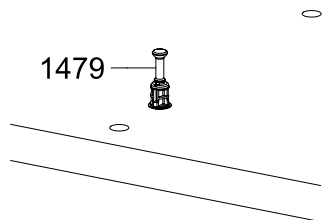
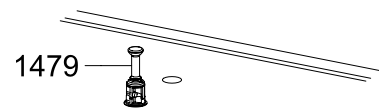
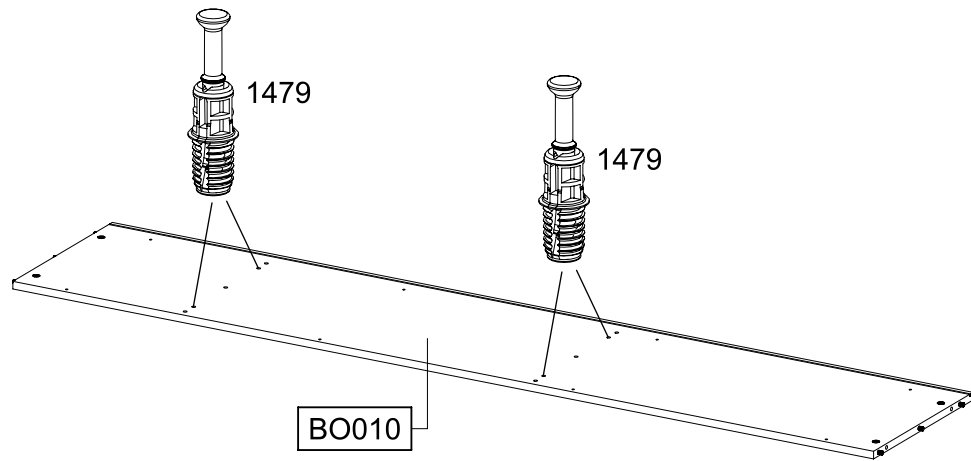
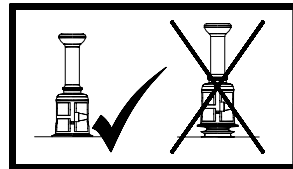

10

4x

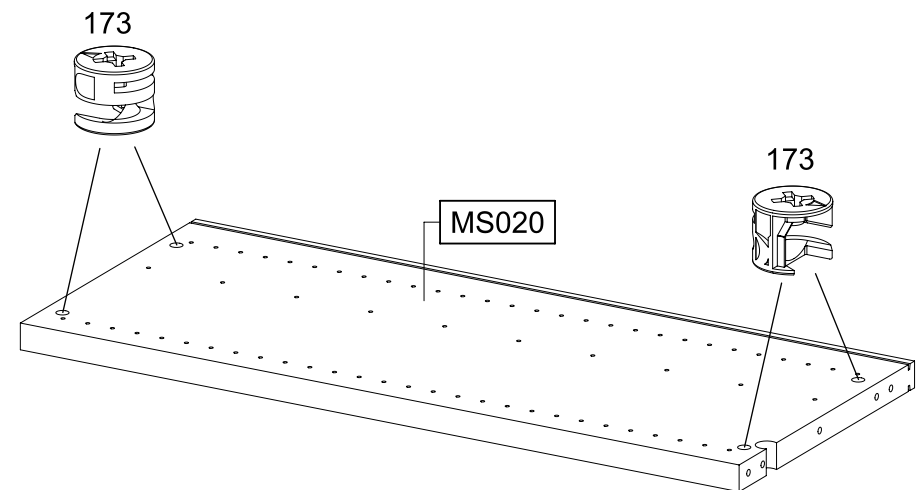
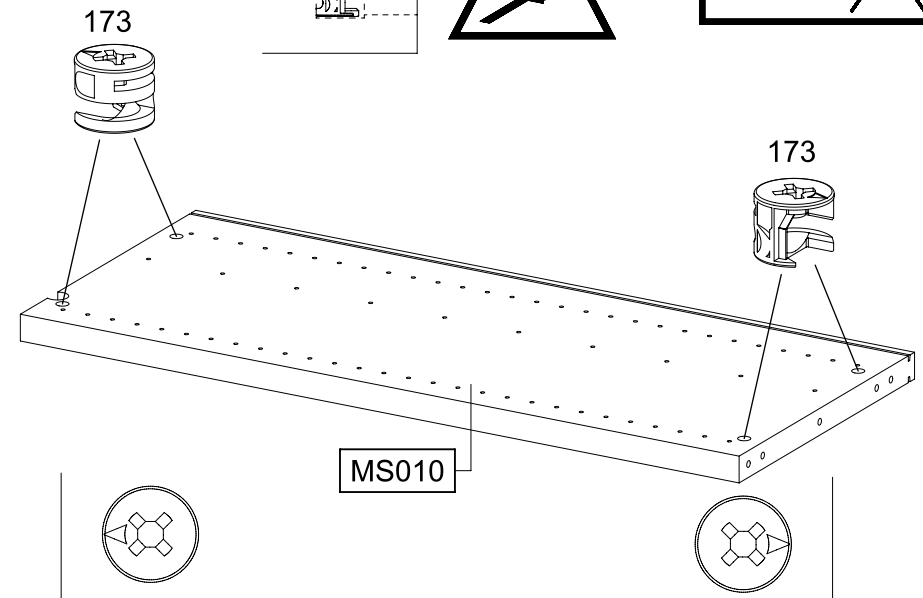
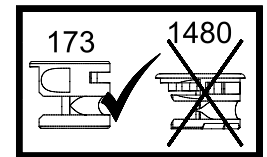
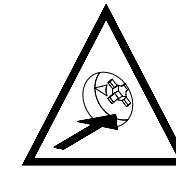
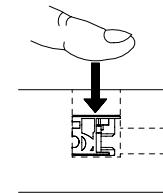

1479



11

4x 1479 

12

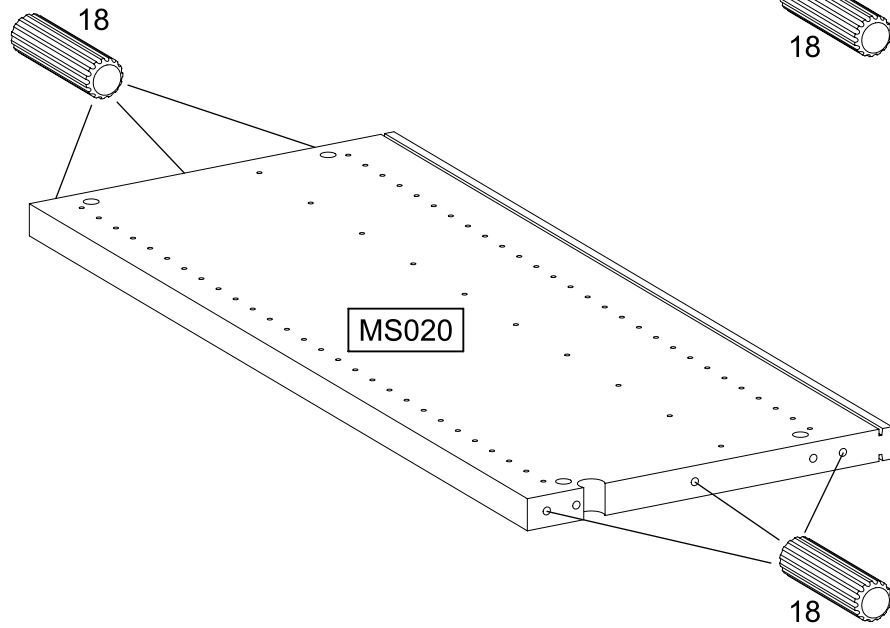
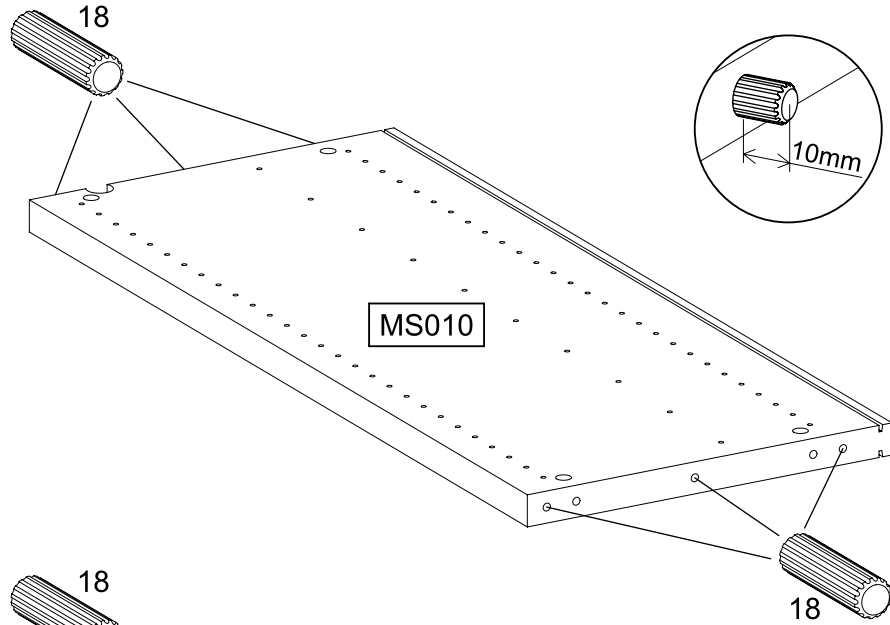
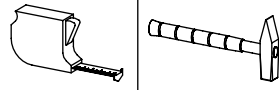
8x 173 

13

12x

18

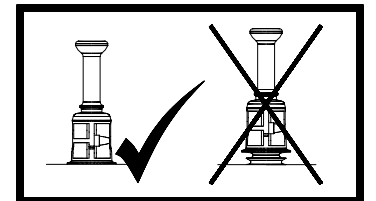
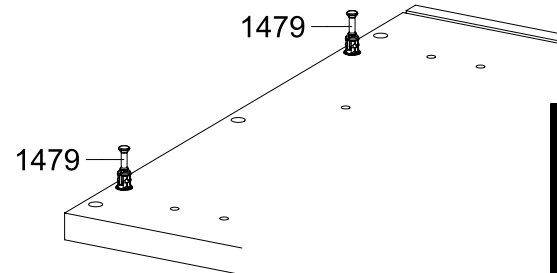
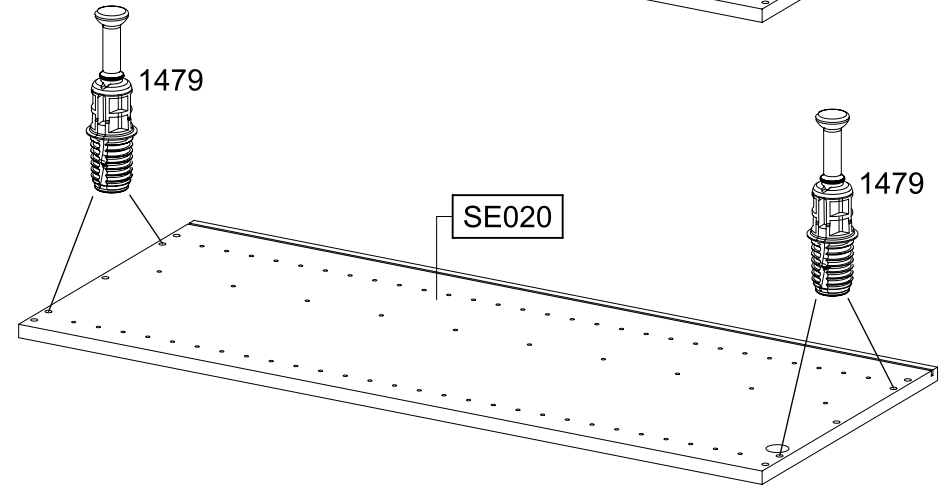
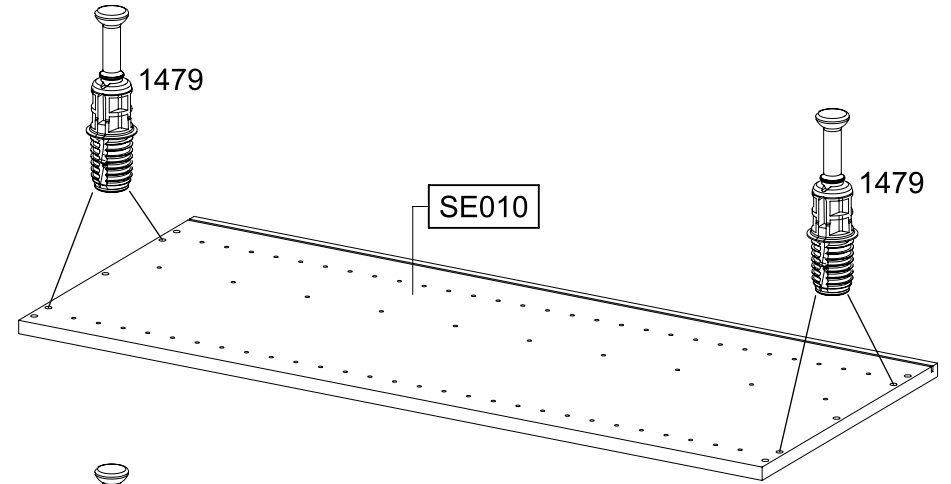
8x30



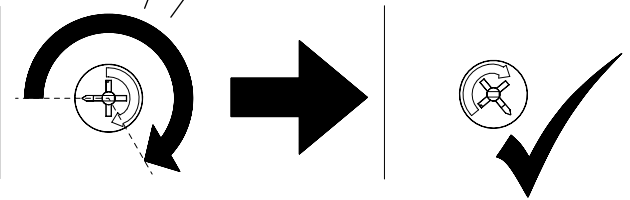
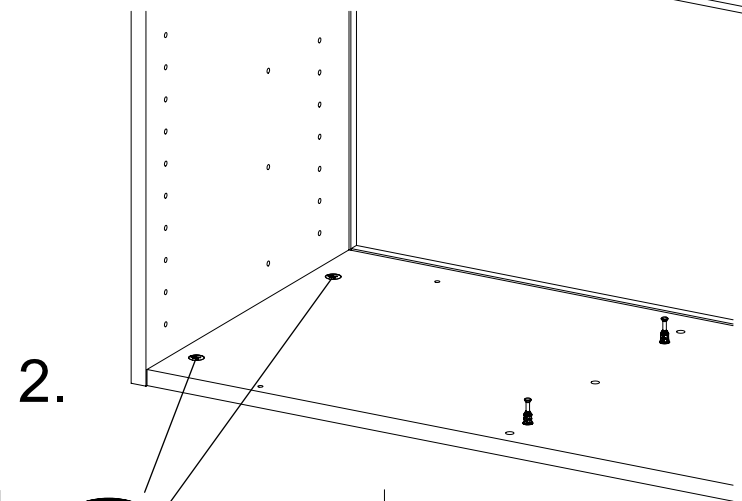
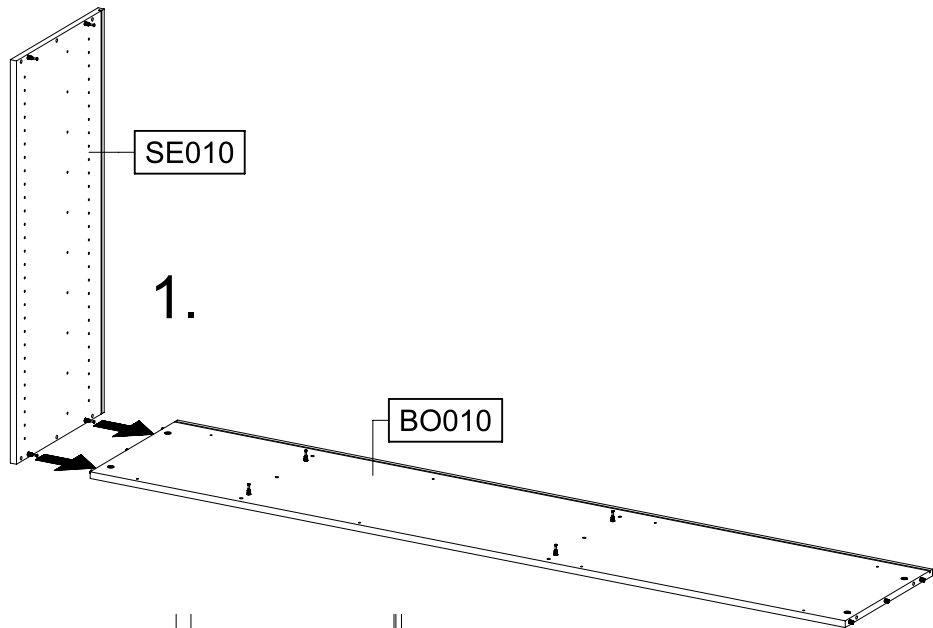
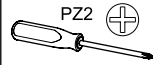
14

8x

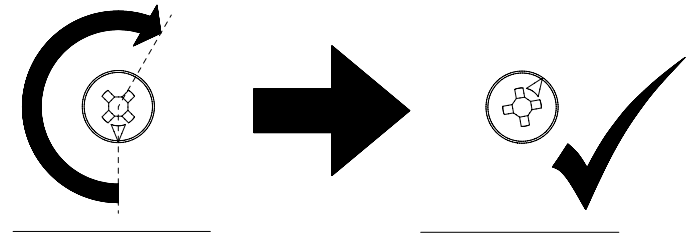
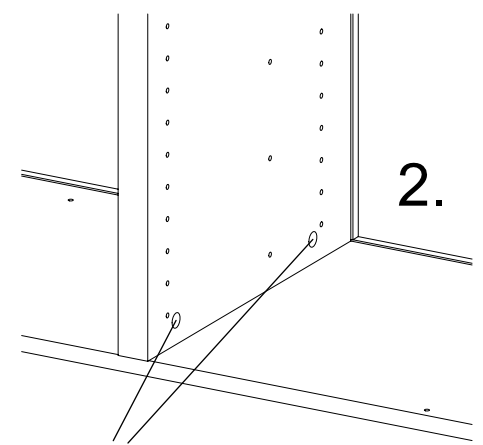
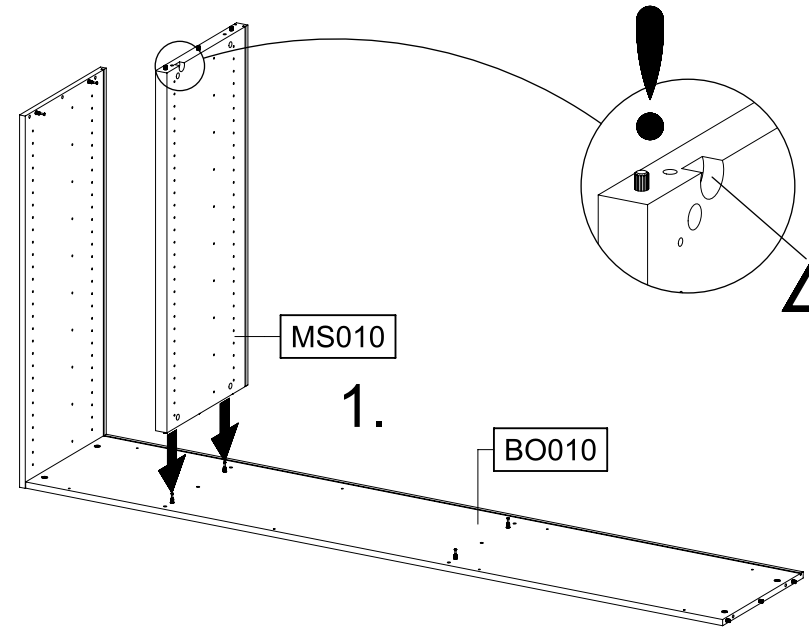
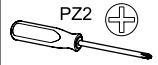
1479

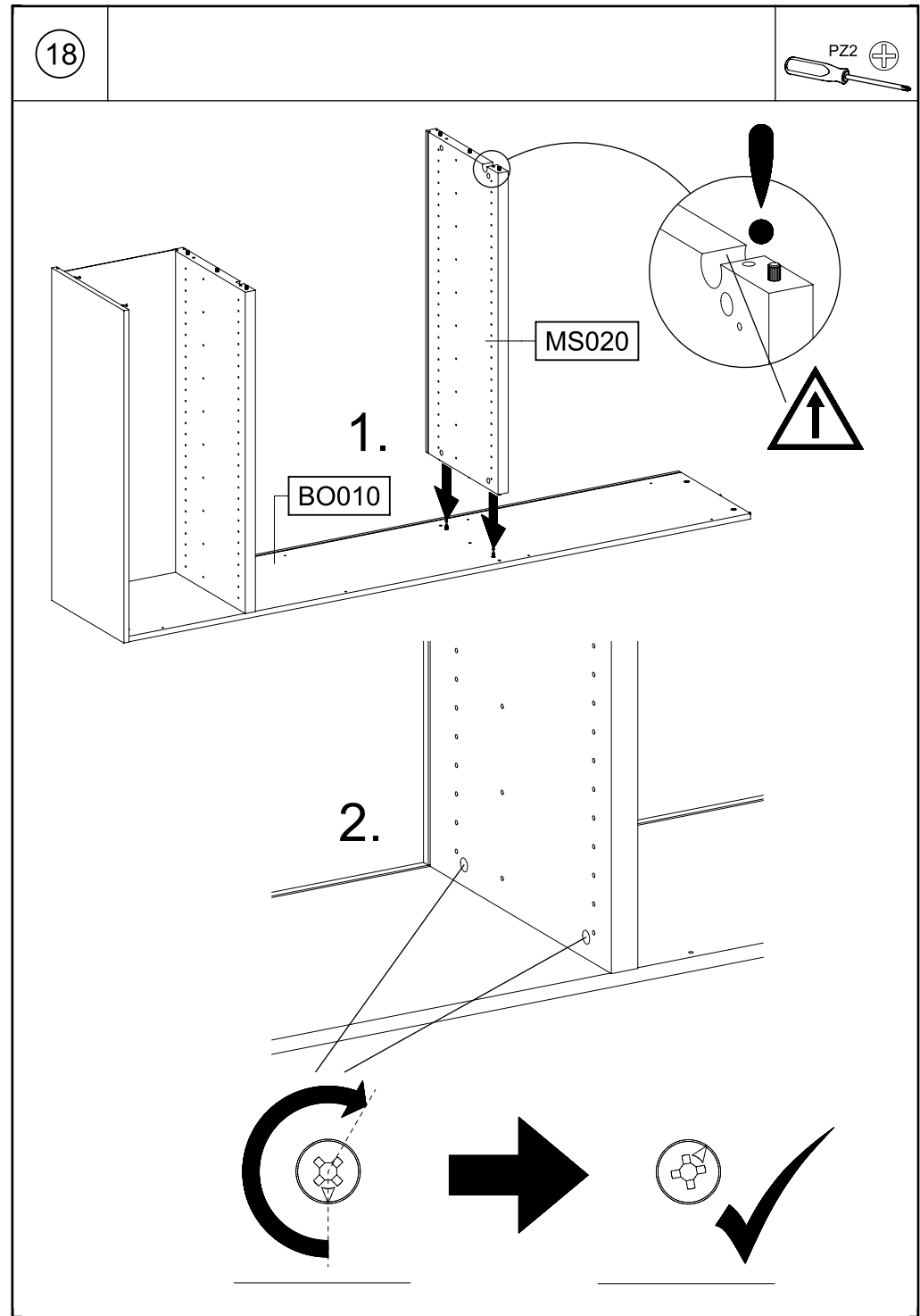
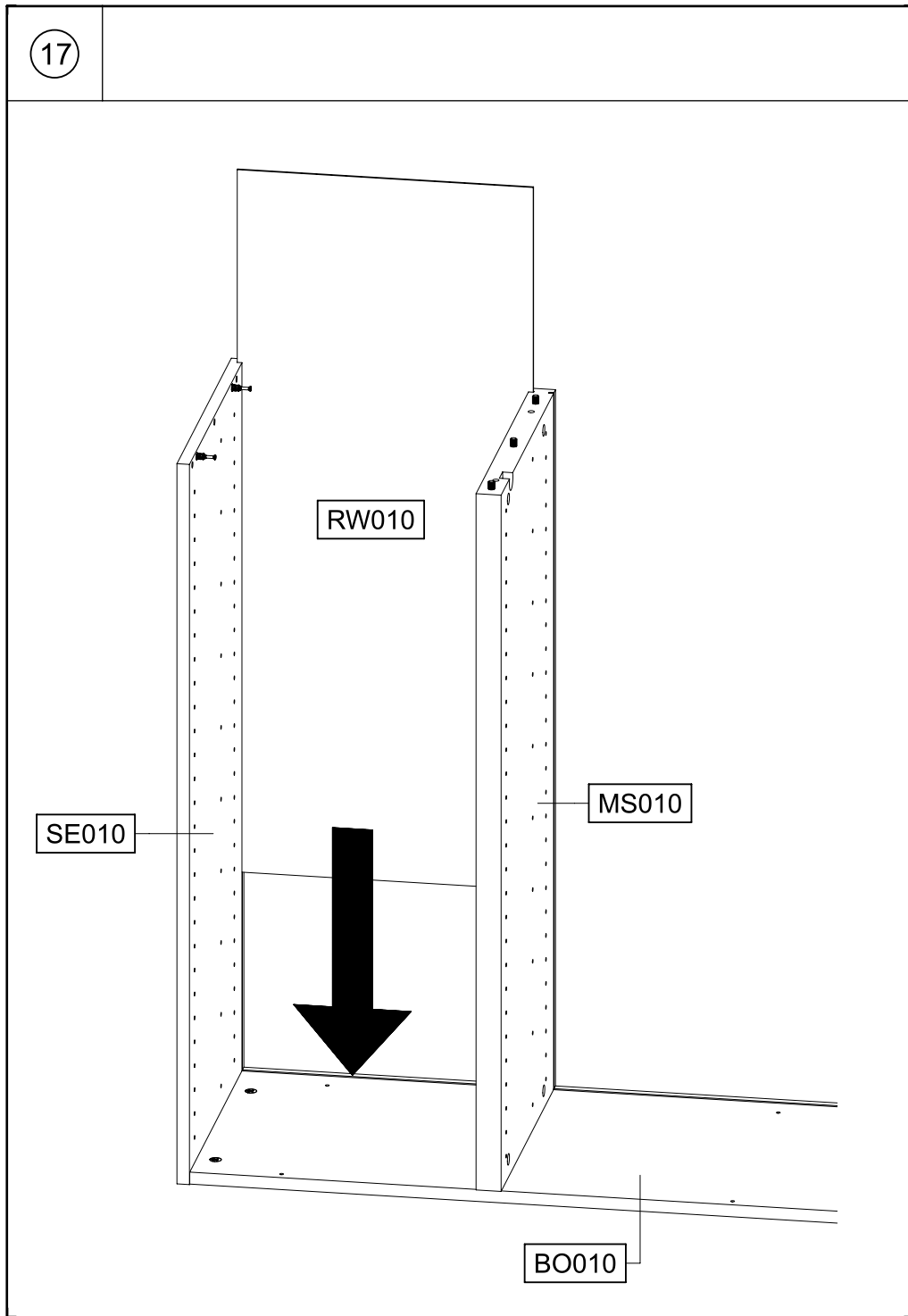


15

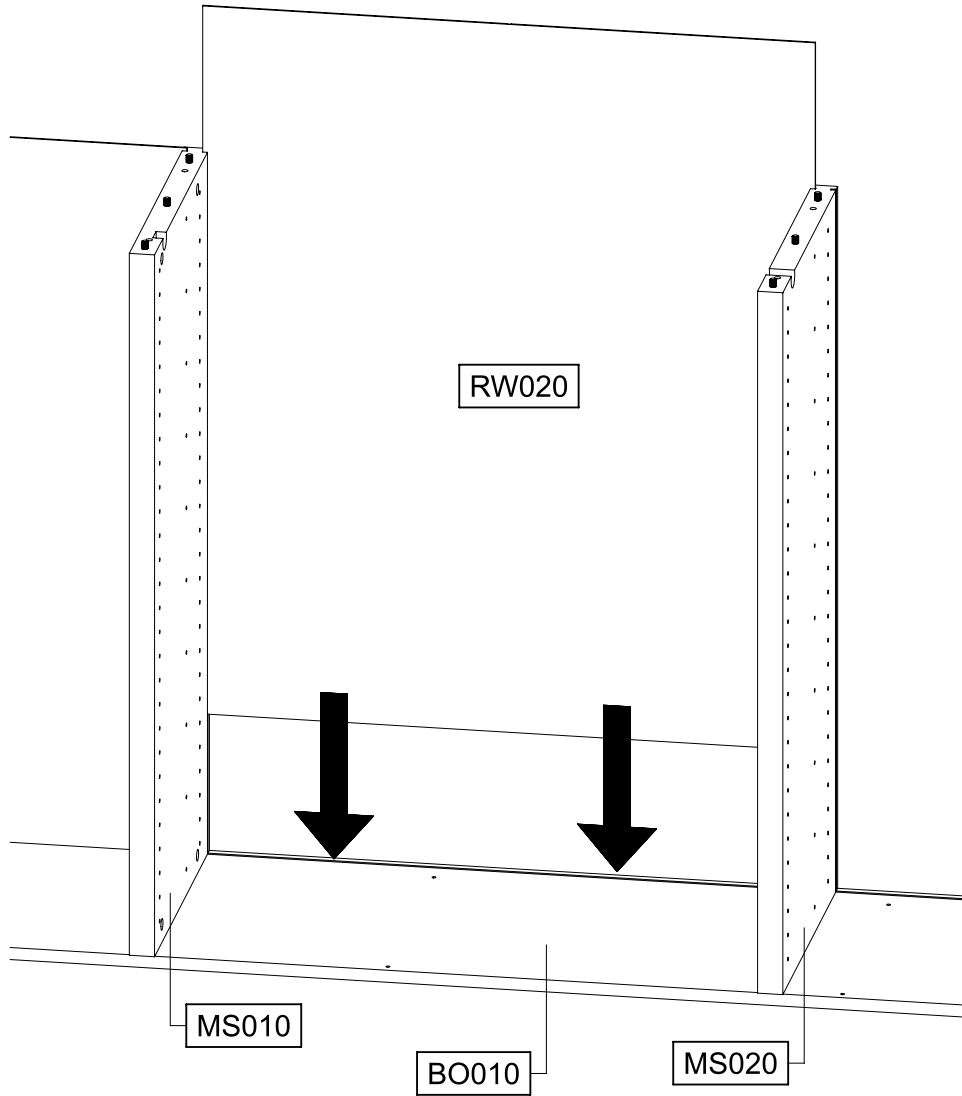


16

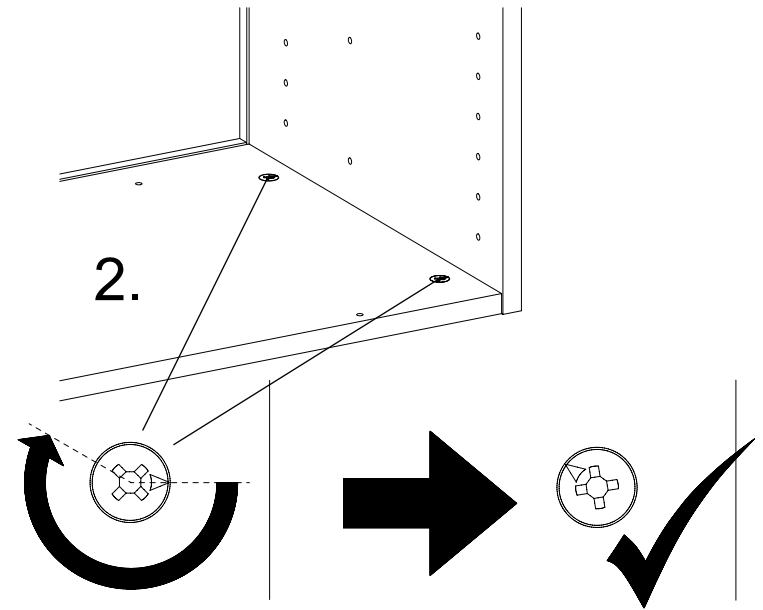
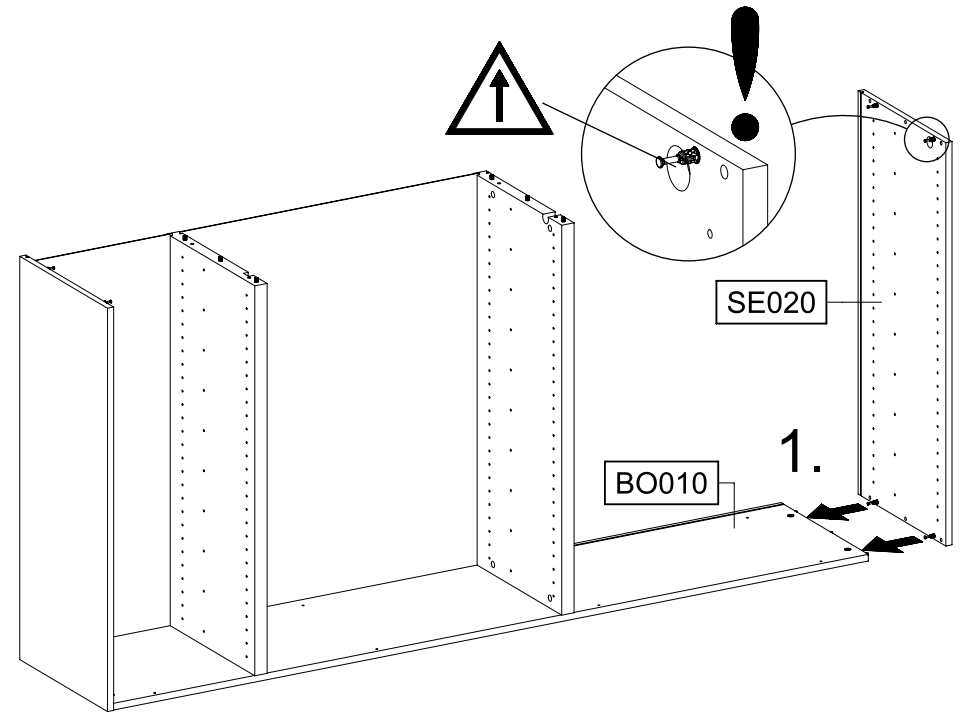
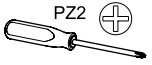


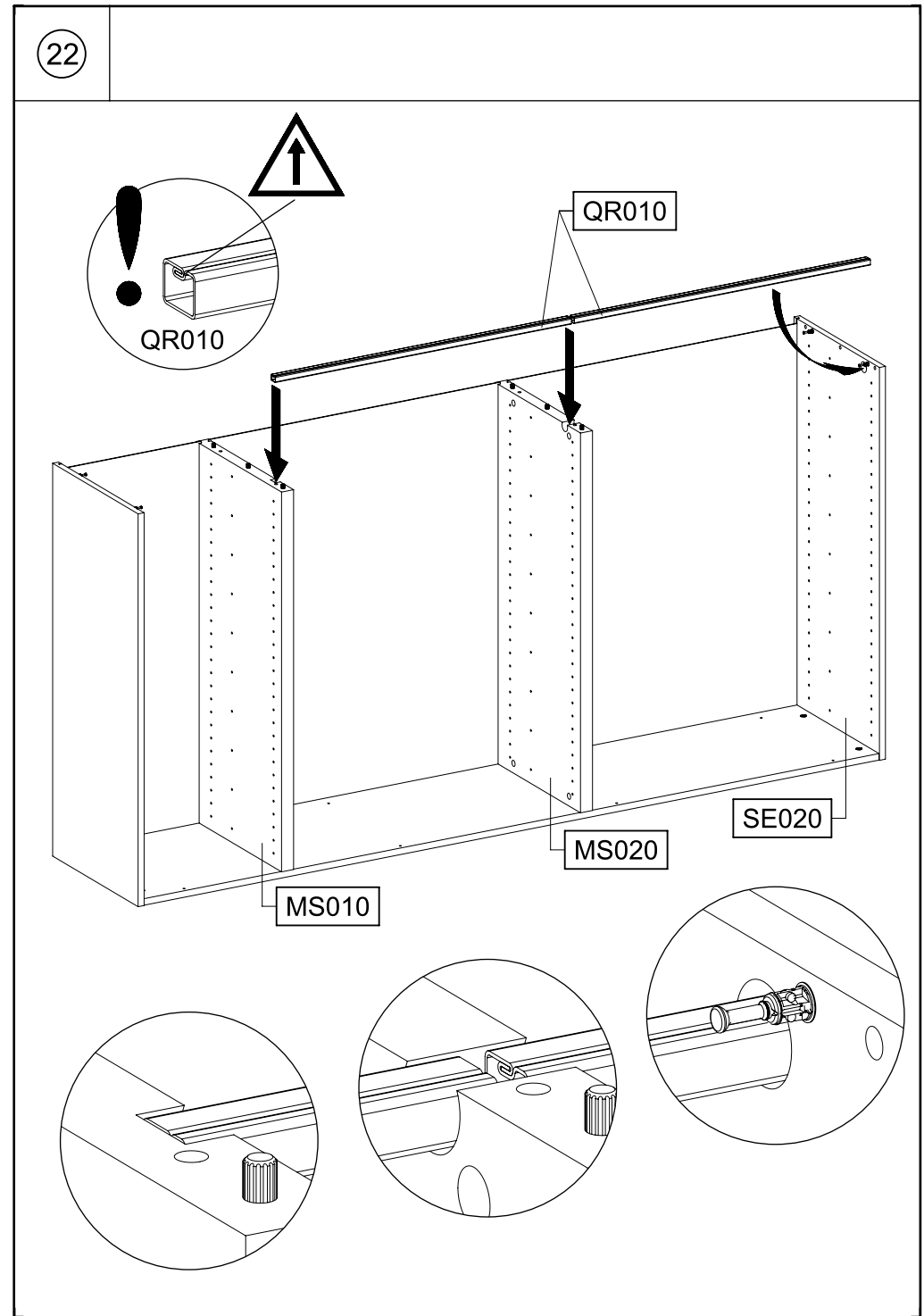
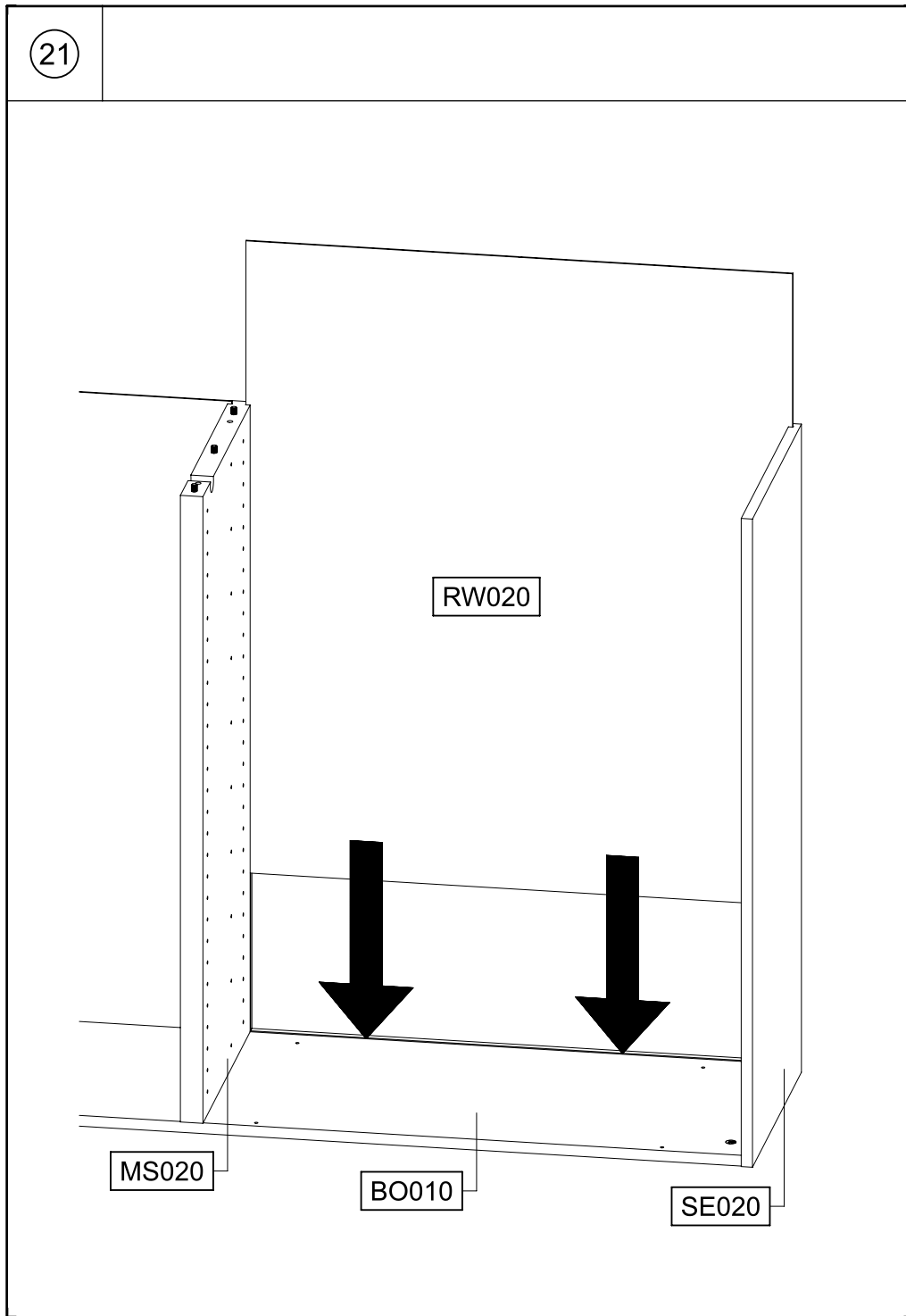


19

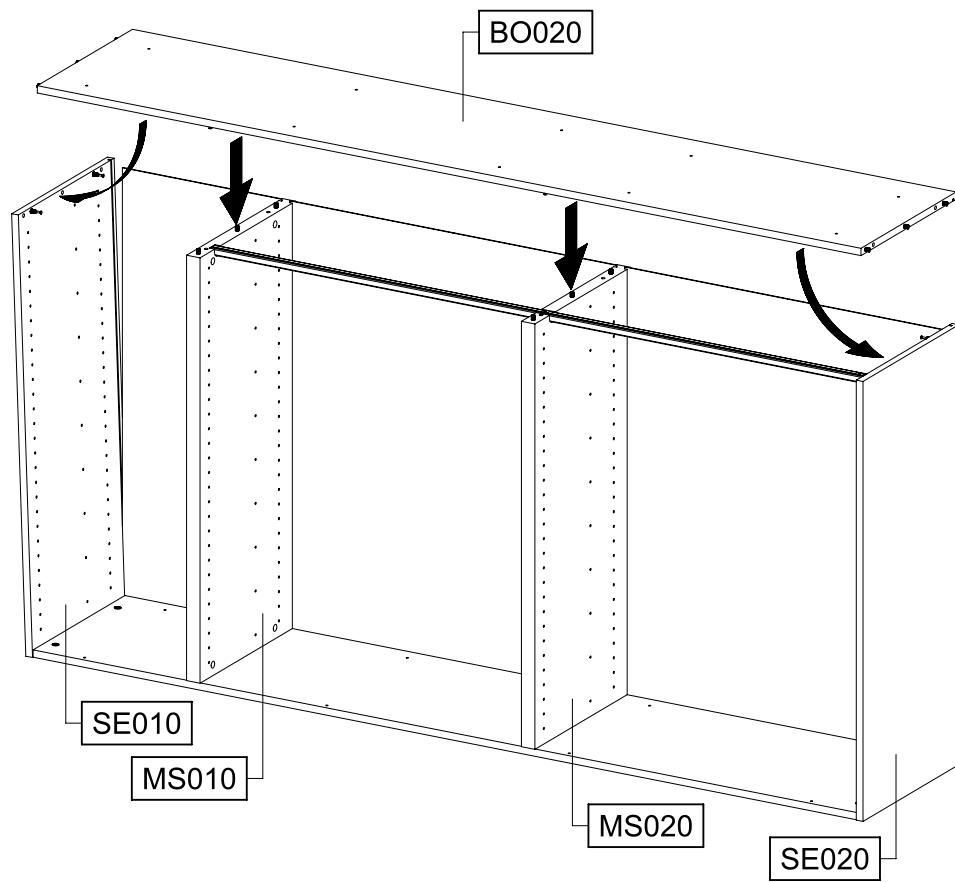


20

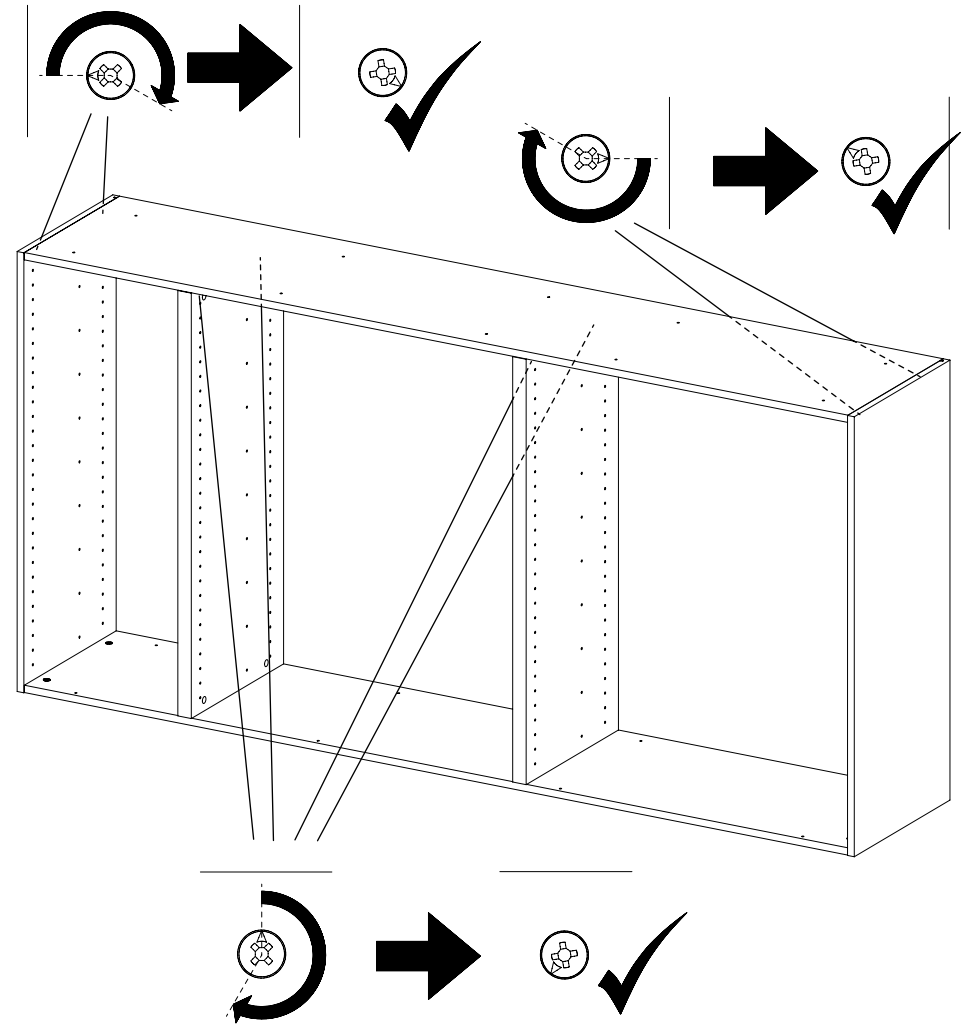
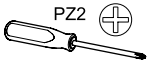


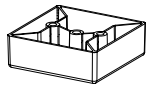


23

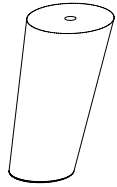


24

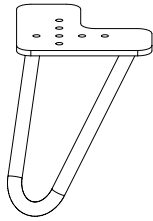




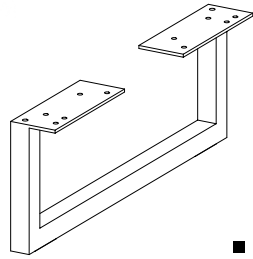
1207



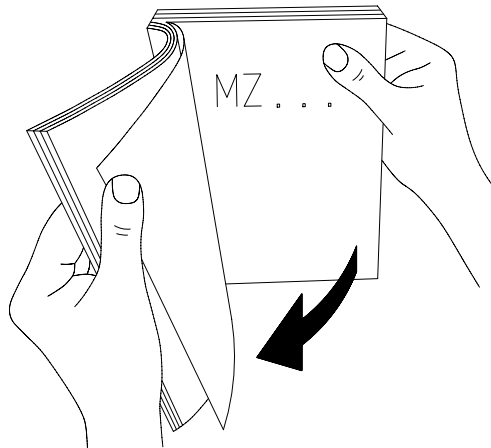
1481



1345



1348



25

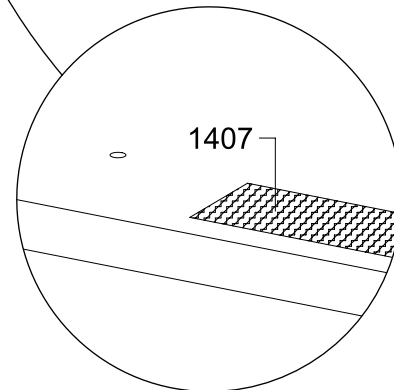
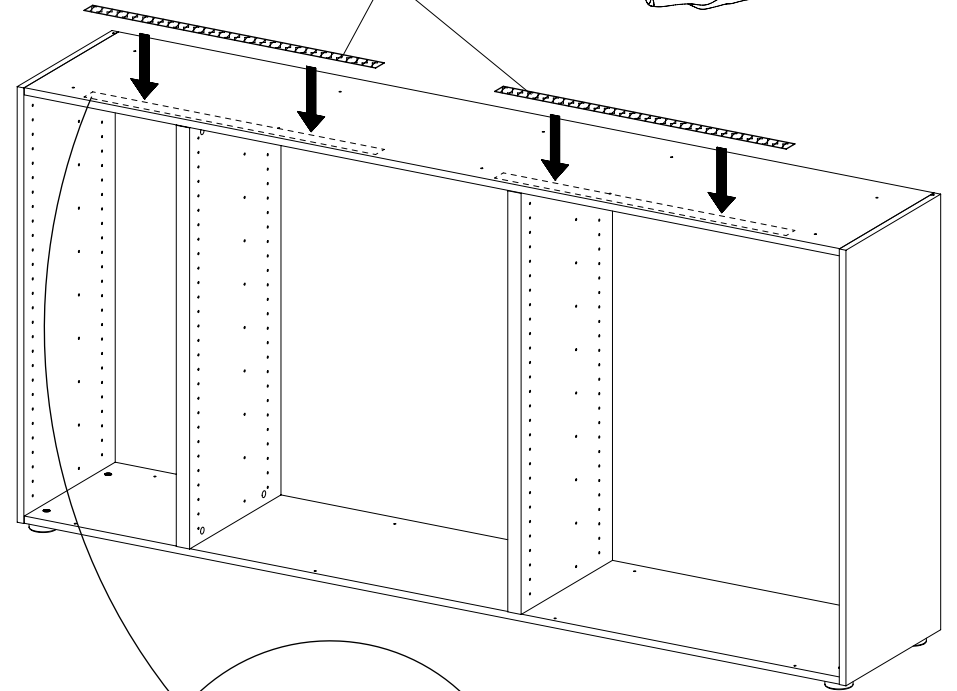
2x 1407



1407

2.

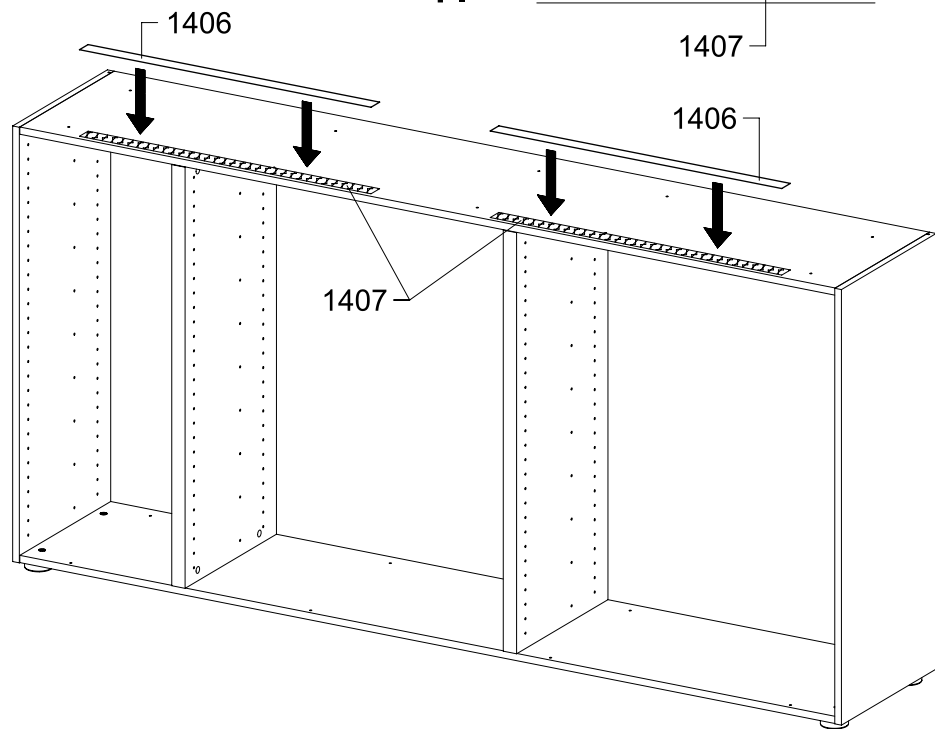
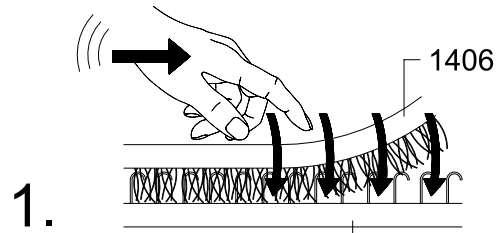
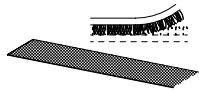
1407



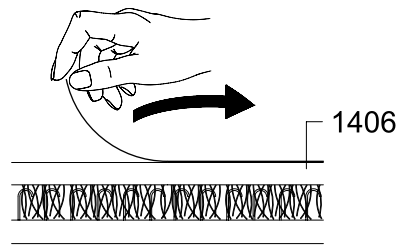
1407

26

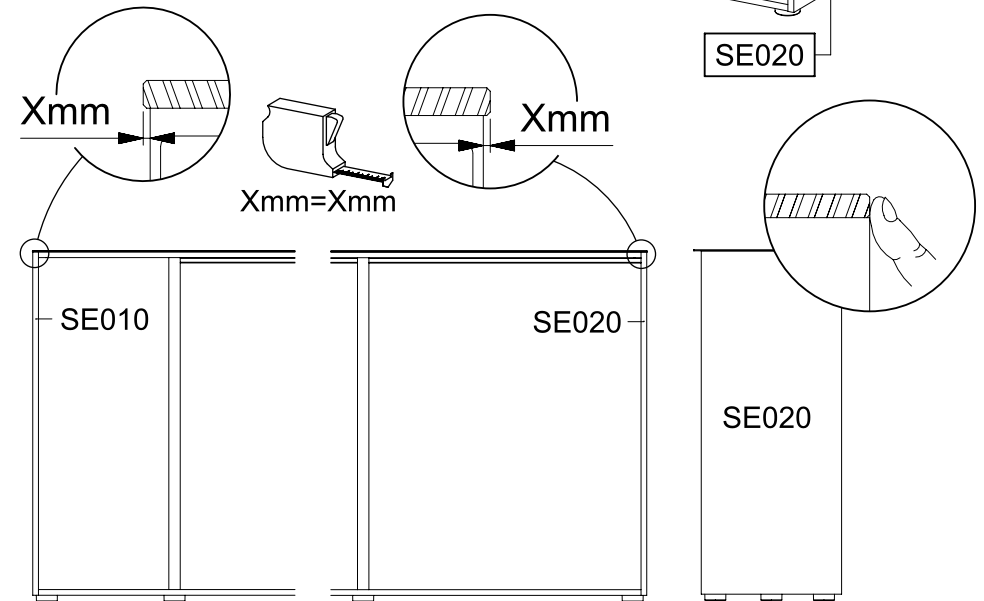
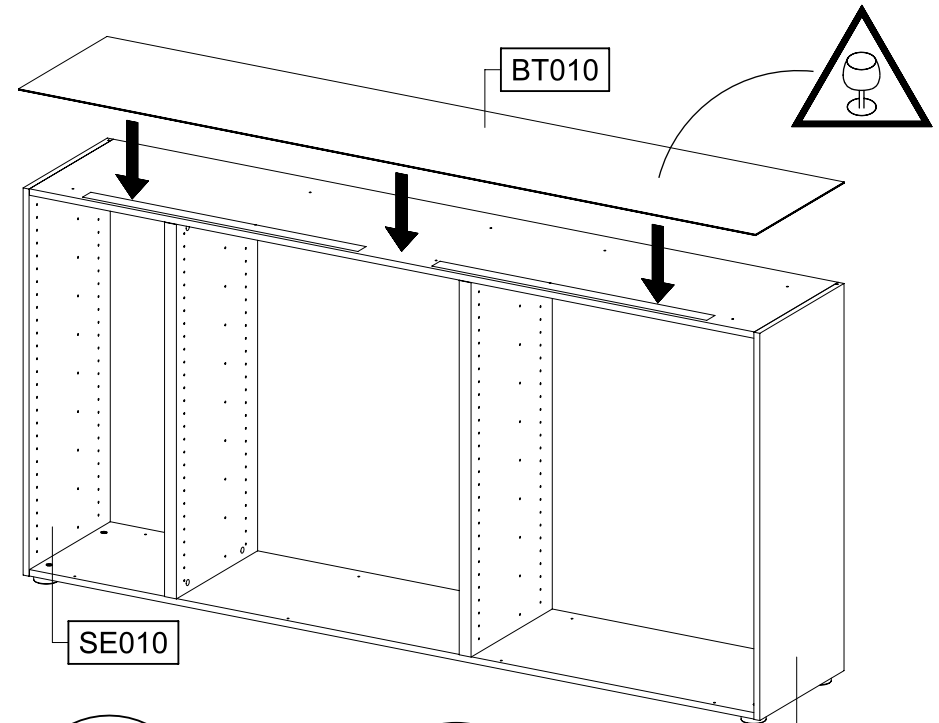
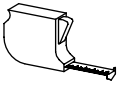
2x 1406



2.

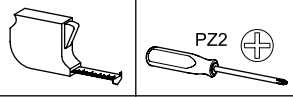


27

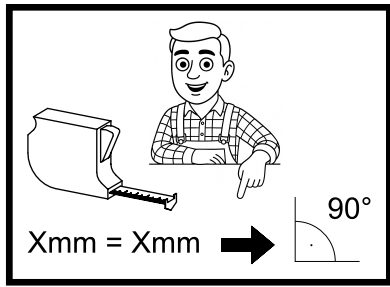


28

12x 45

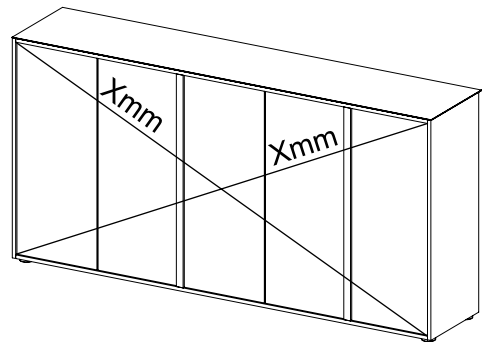


PZ2

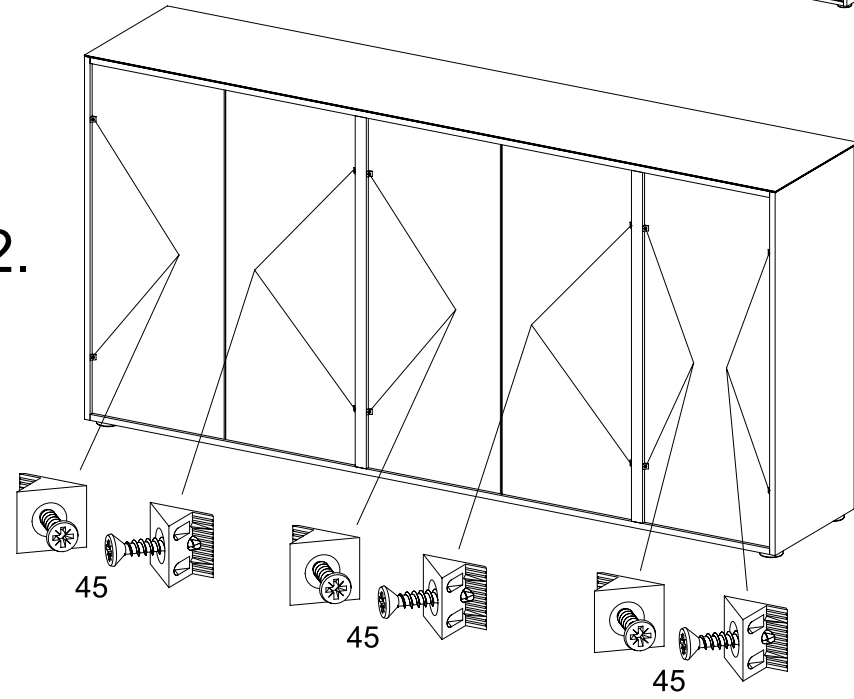


90°

1.



2.

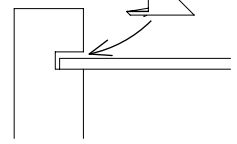


45

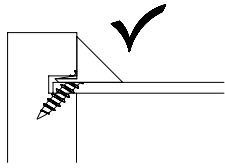
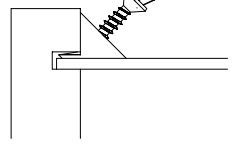
45

45

2.



3.

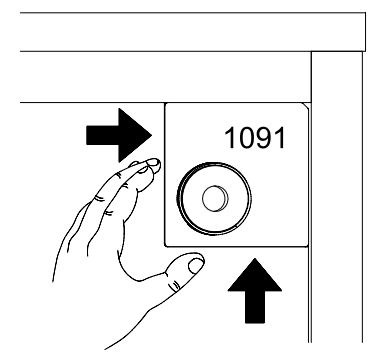
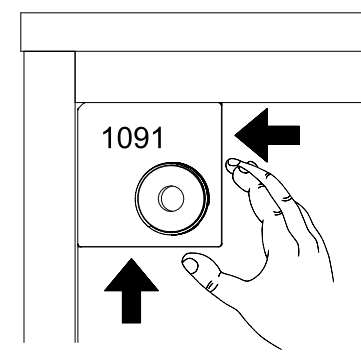
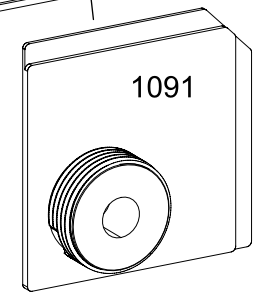
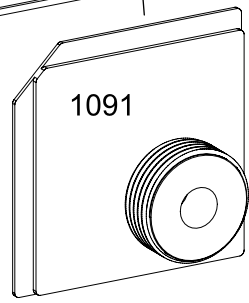
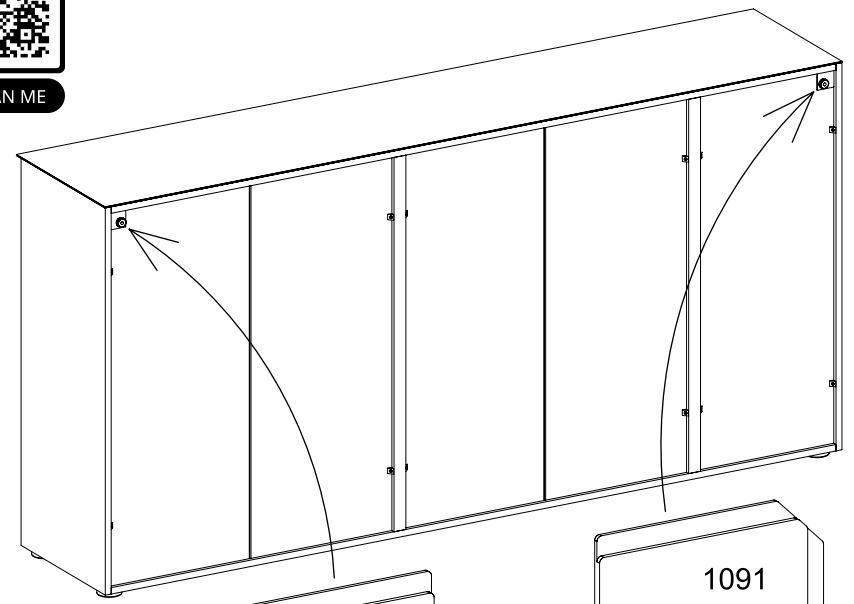


29

2x 1091



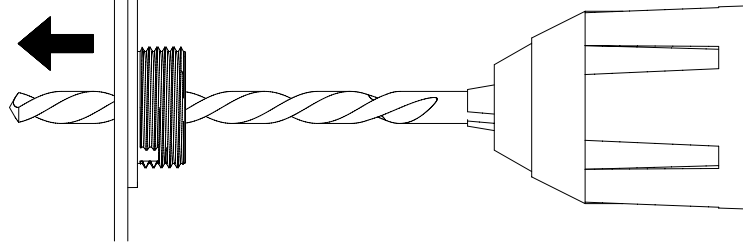
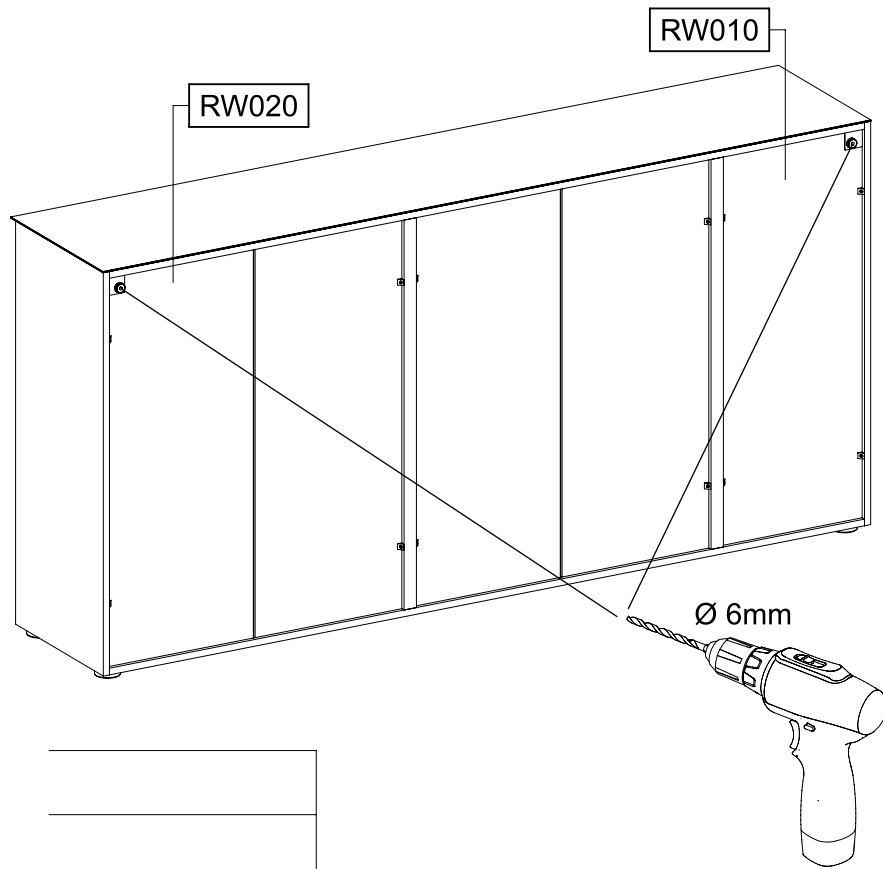
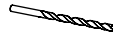
SCAN ME



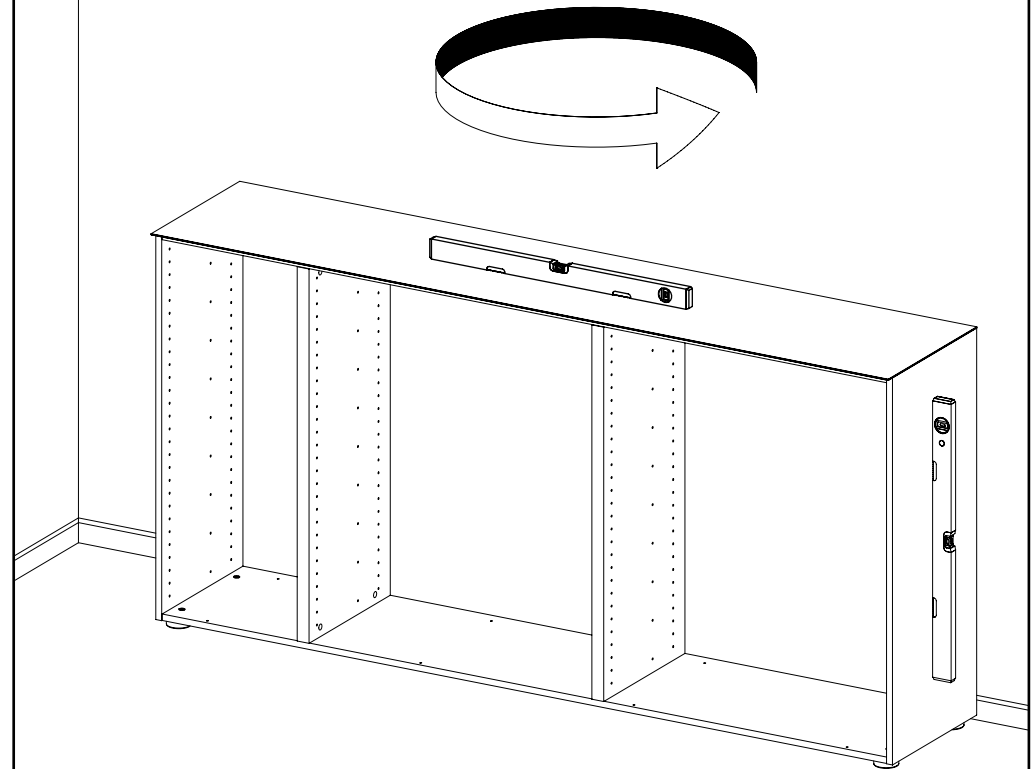
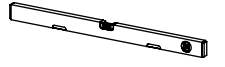
30

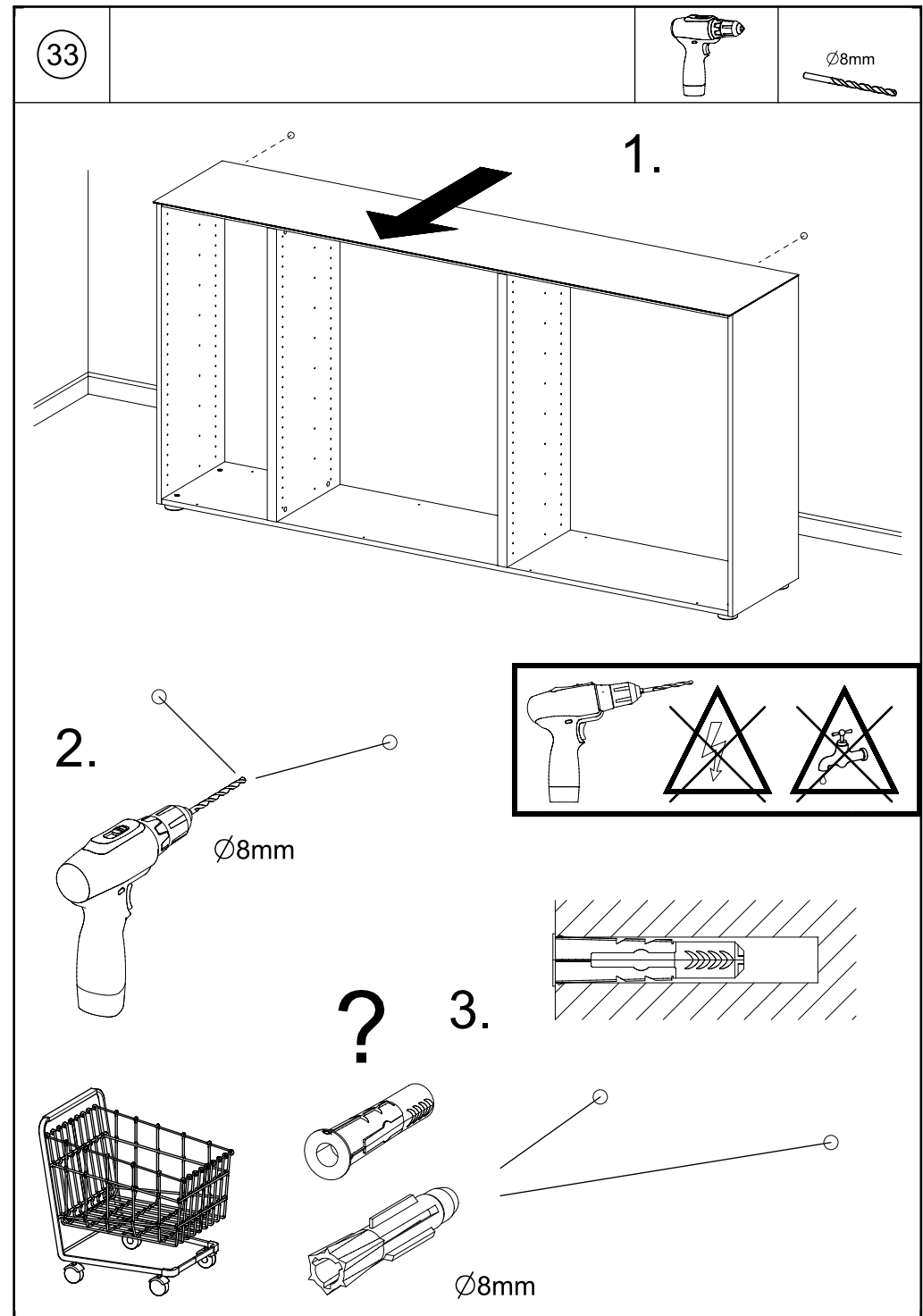
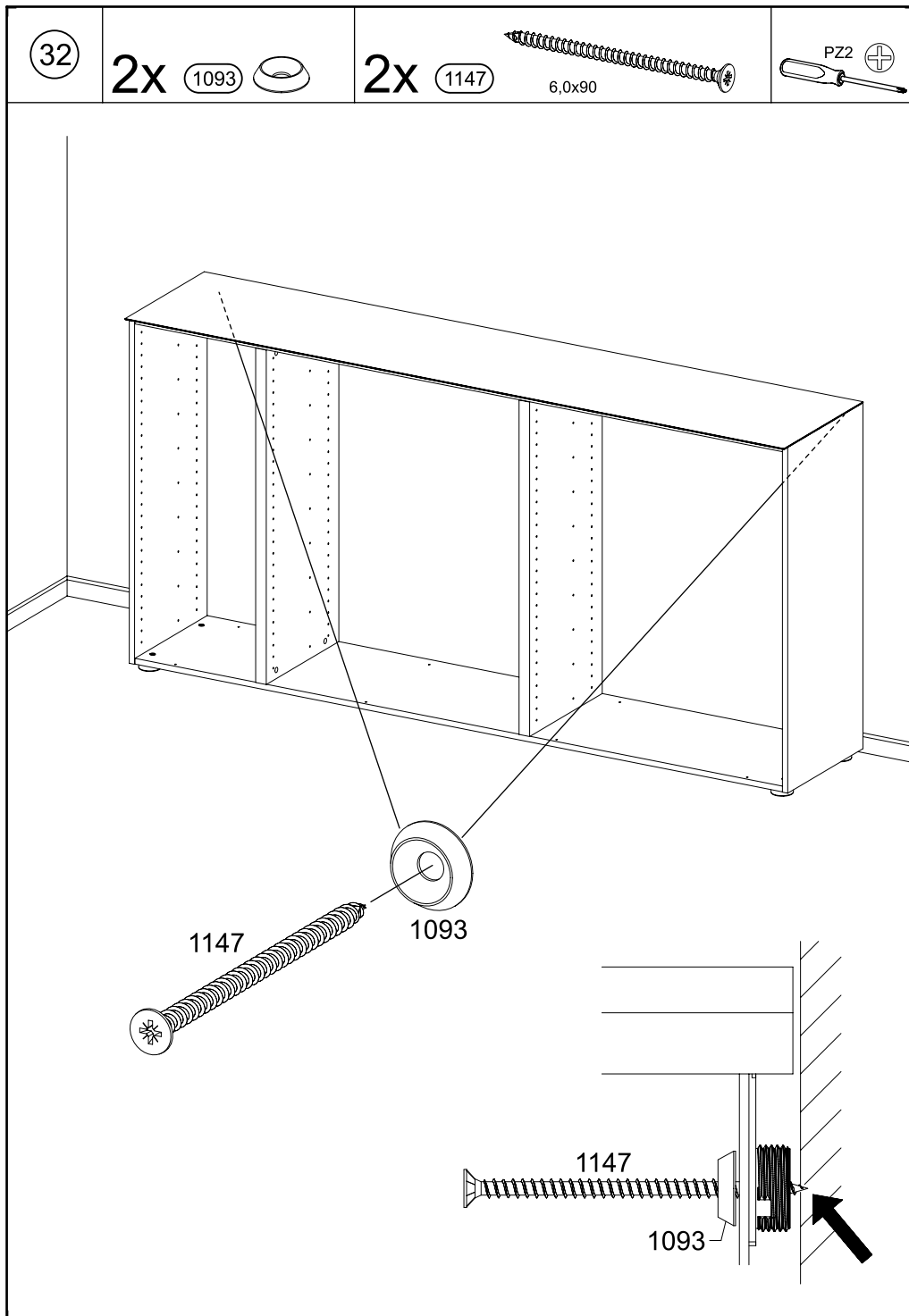


Ø6mm



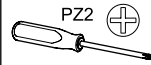
31



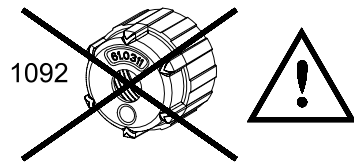
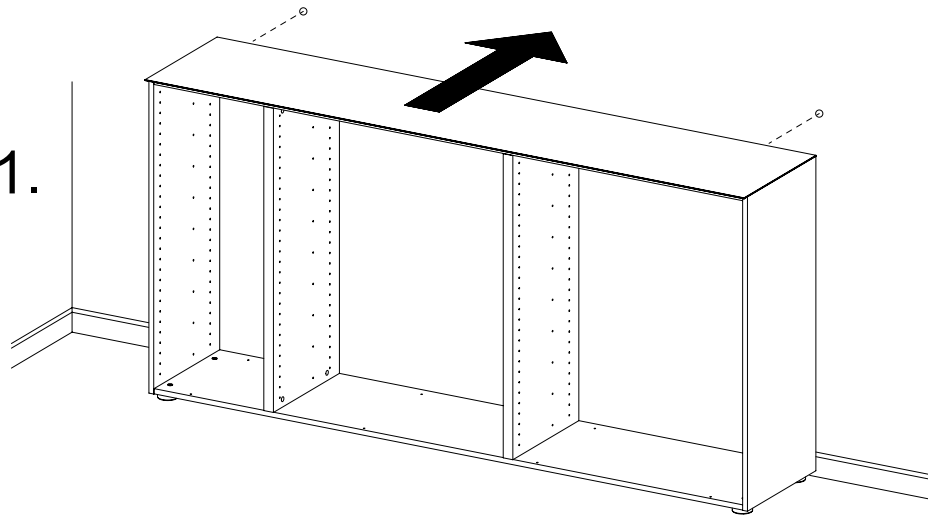


34

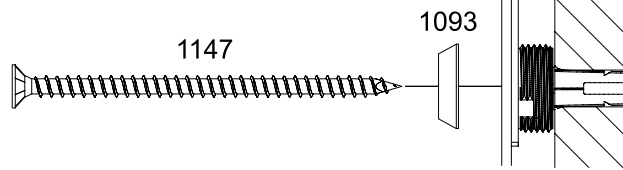
2x 1092



1.

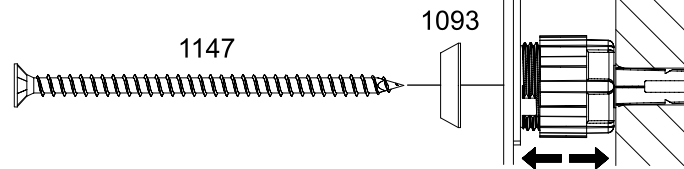


2.



10-15mm

2.

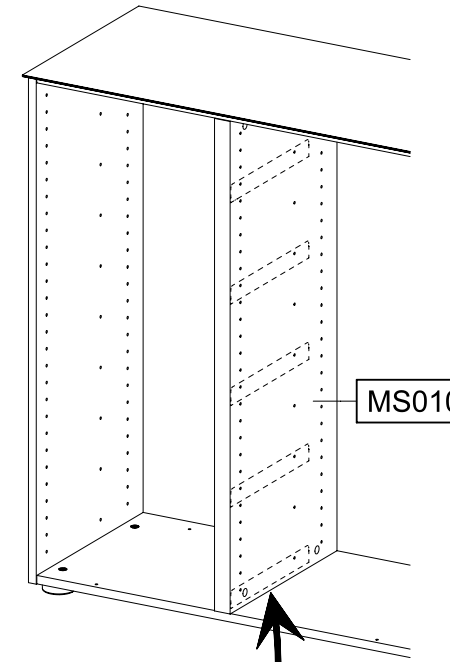
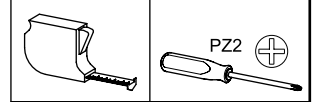
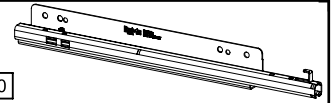


35

10x 792 6,3x9

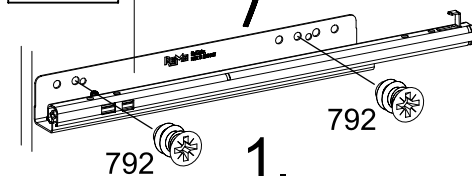
10x 836 4x15

5x UF010

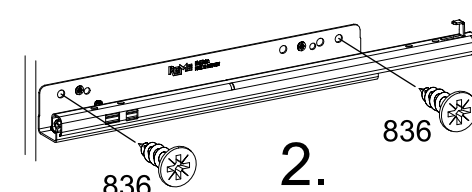


MS010

UF010



1.



2.

802mm

610mm

418mm

226mm

34mm

36

10x 792 6,3x9

10x 836 4x15

5x UF020

MS020

PZ2

UF020

792

1.

792

836

2.

836

M3176

37

4x 1415

PZ2

1415

1.

1415

2.

1415

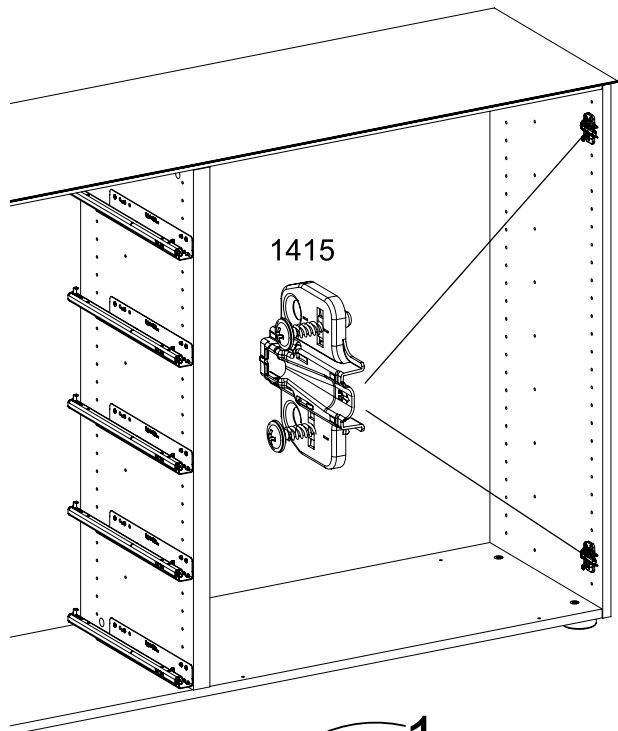
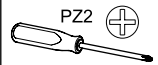
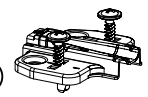
866mm

98mm

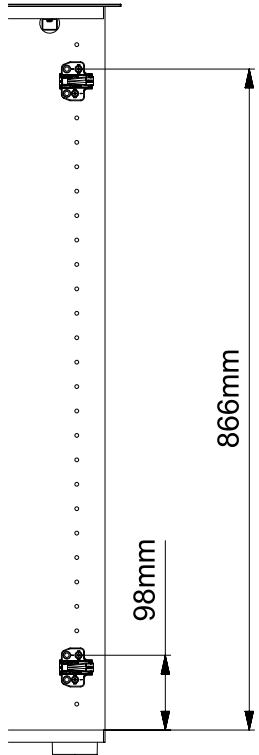
M3176

38

2x 1415

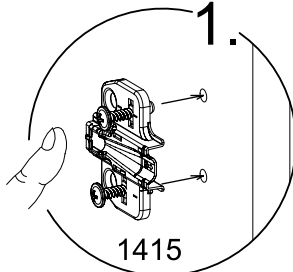


1415



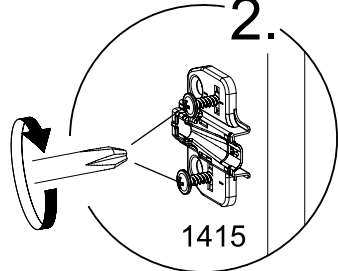
866mm

98mm



1.

1415

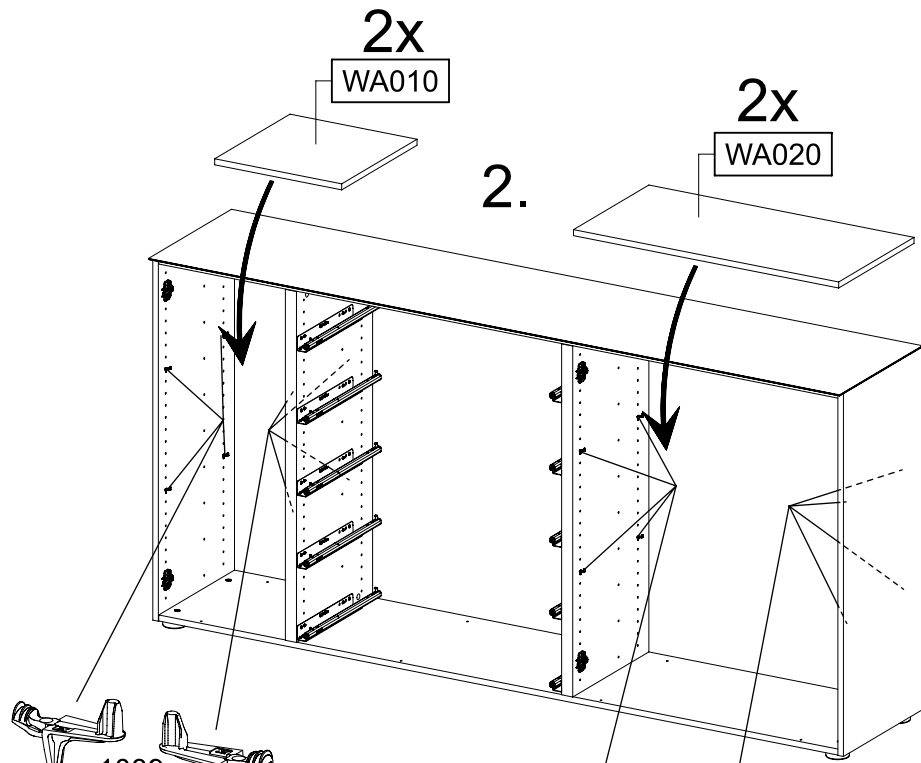
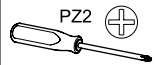


2.

1415

39

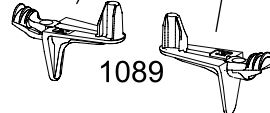
16x 1089



2x WA010

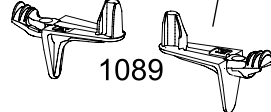
2x WA020

2.



1089

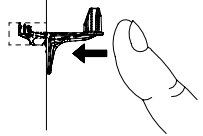
1.



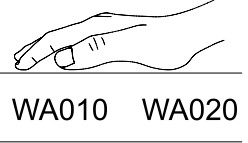
1089



1.



1089

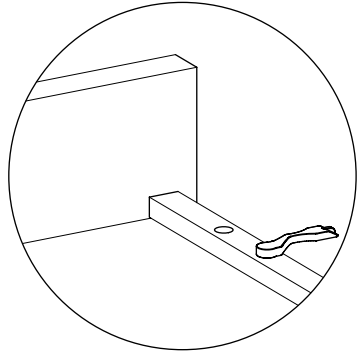
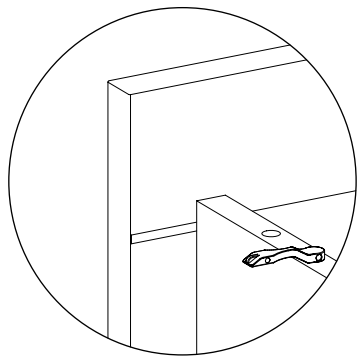
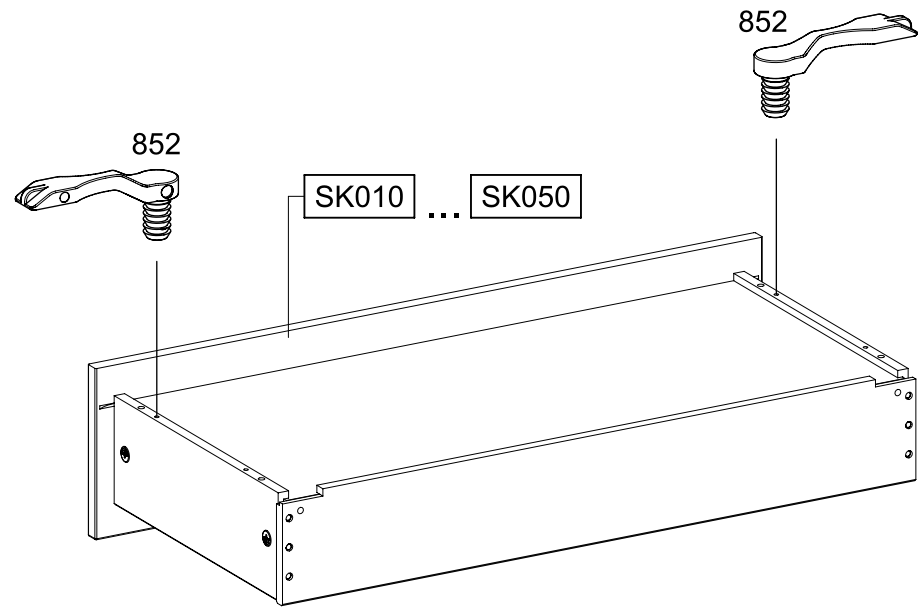


WA010 WA020

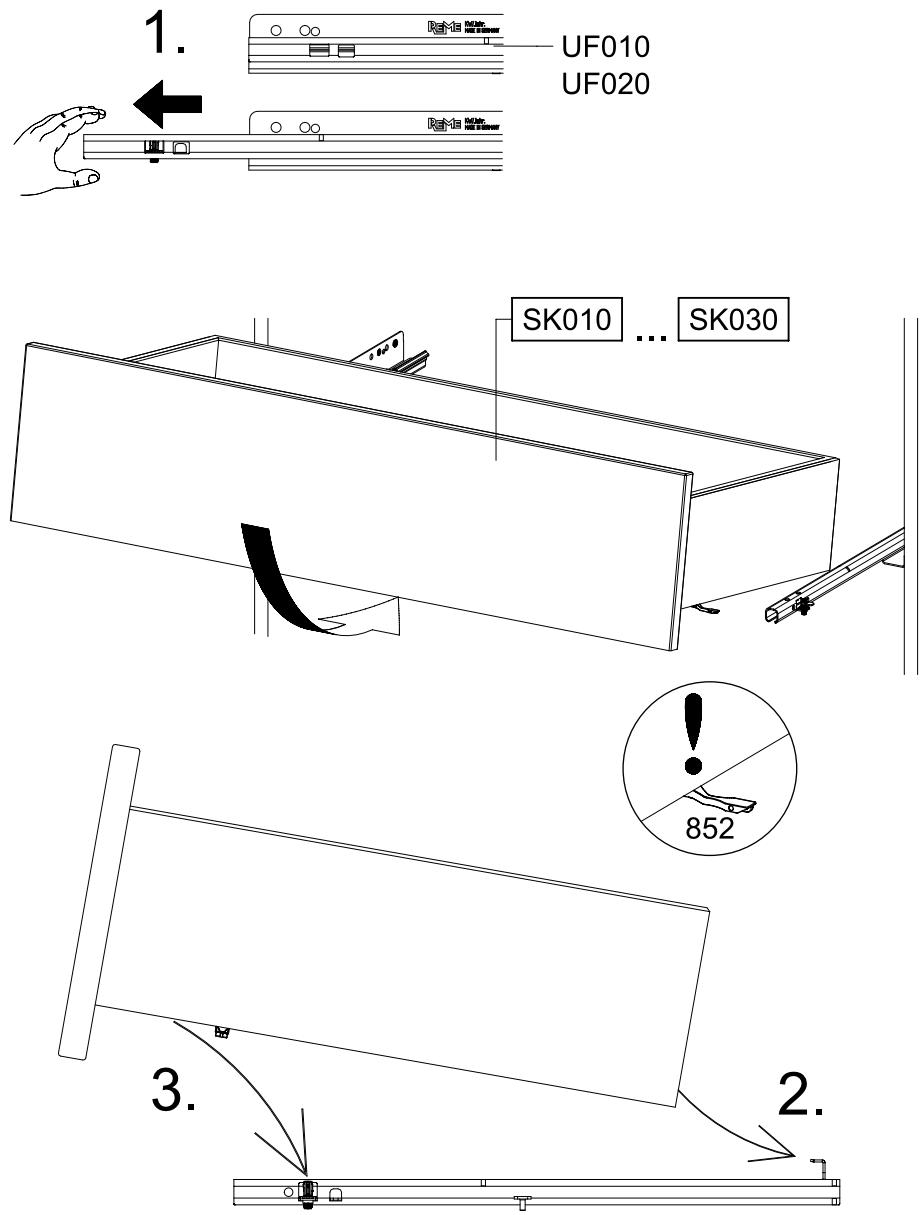
2.

40

10x  852

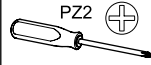


41



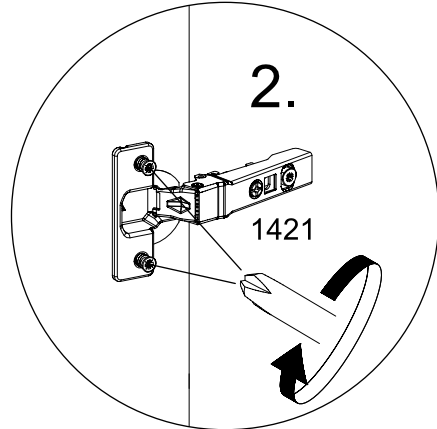
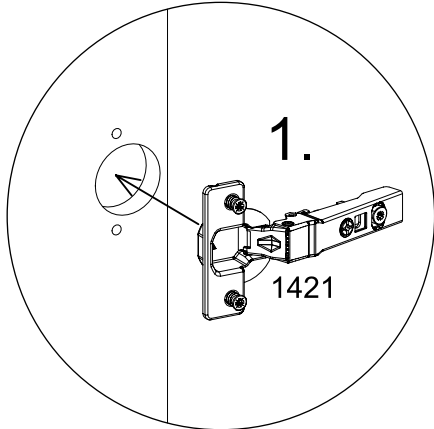
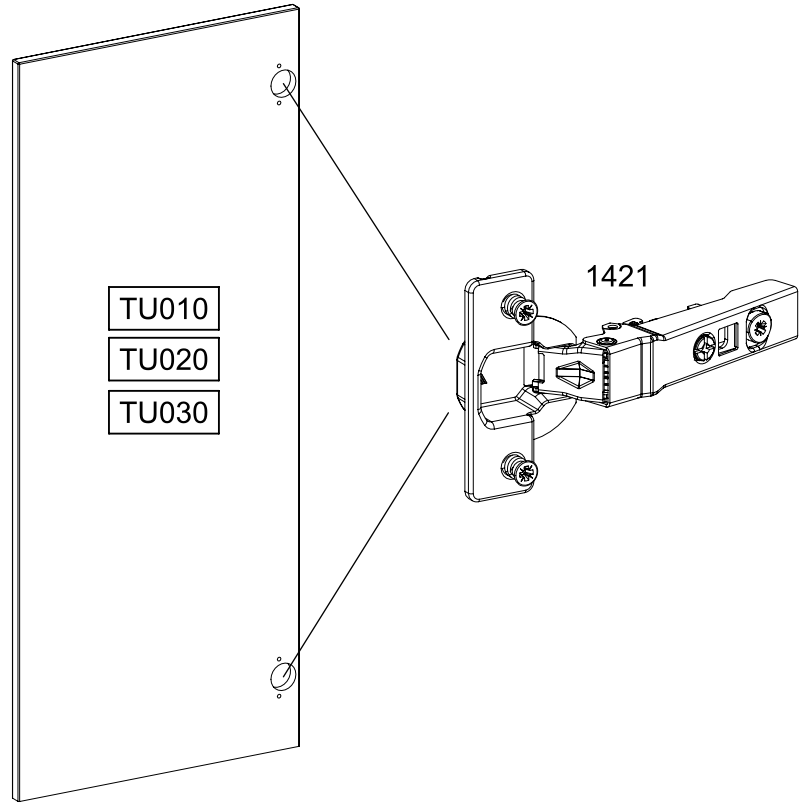
42

6x 1421

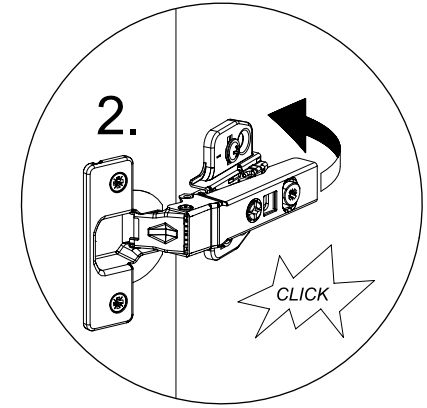
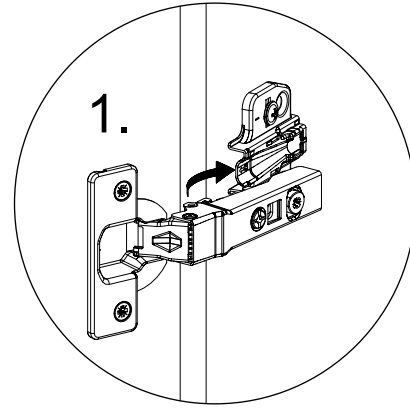
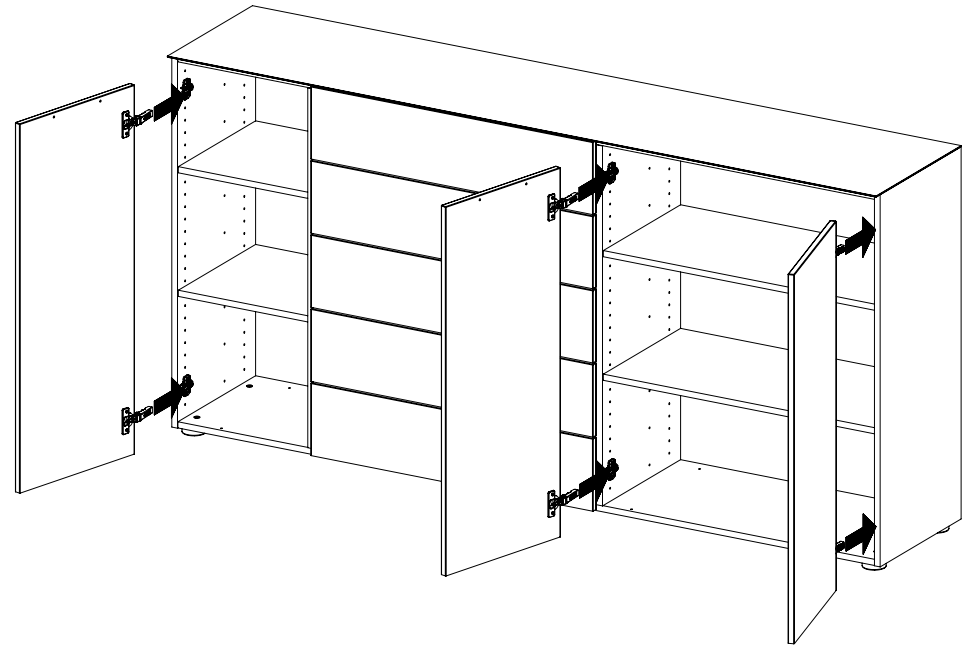


SCAN ME

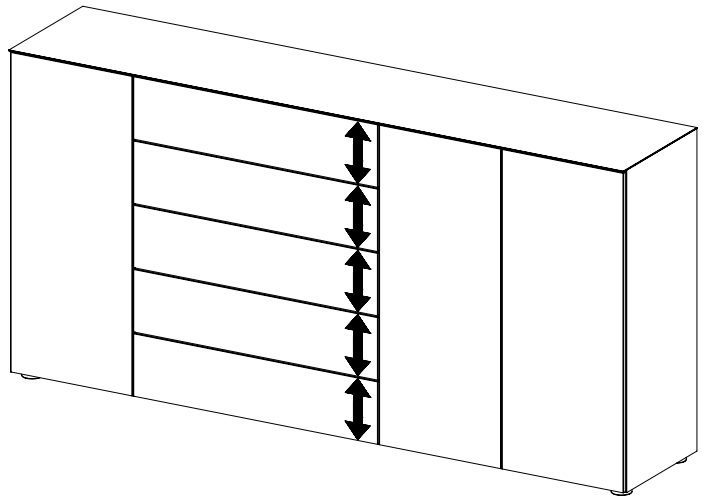
- TU010
- TU020
- TU030



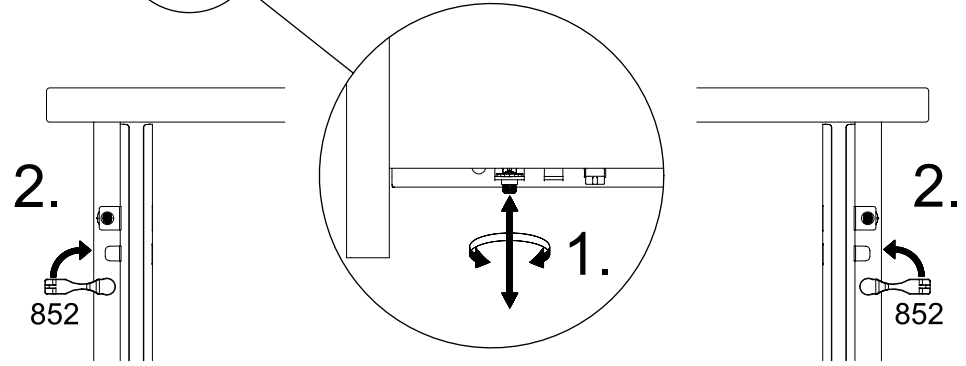
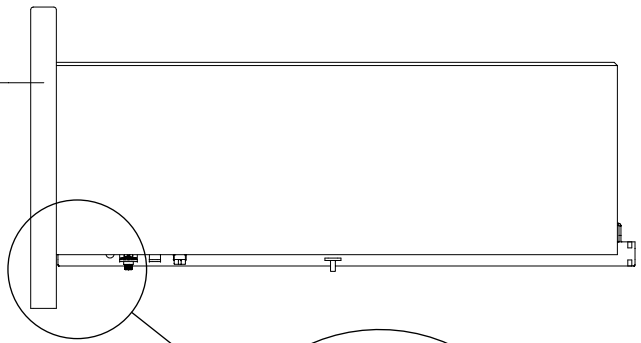
43



44



- SK010
- SK020
- SK030
- SK040
- SK050



45

