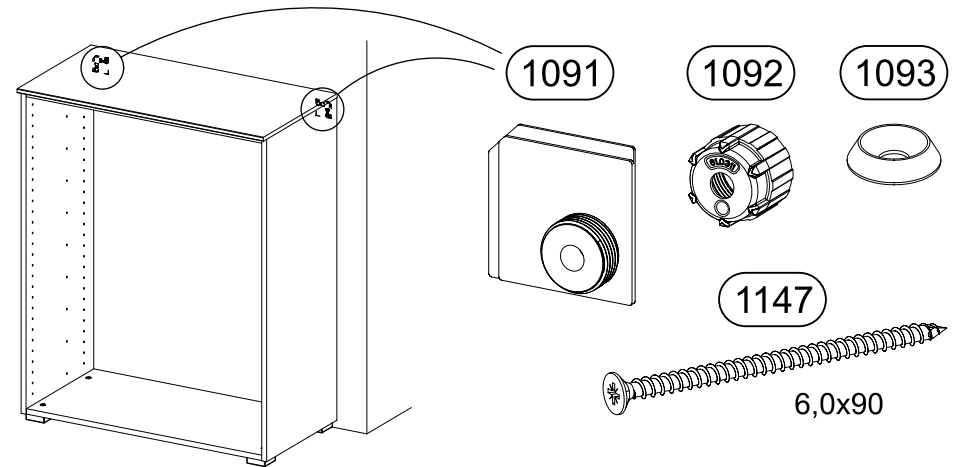
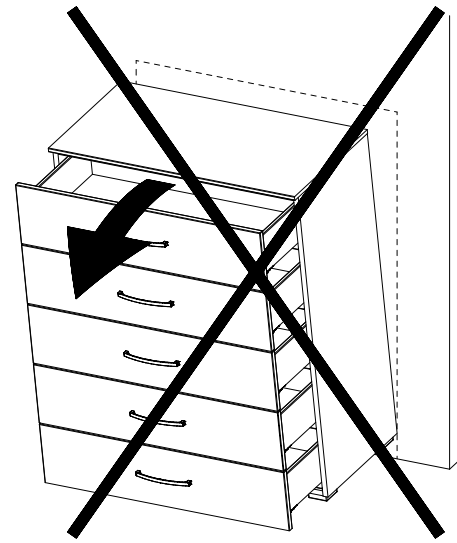
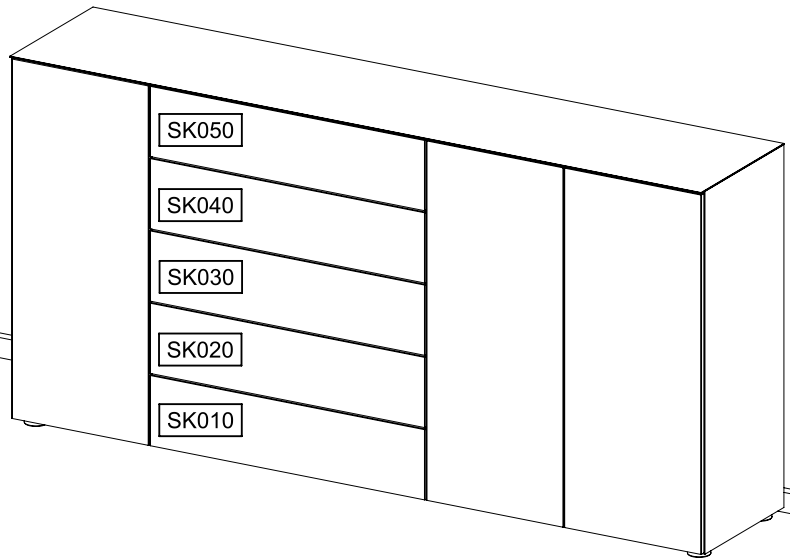
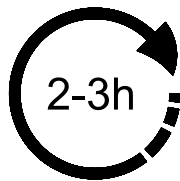
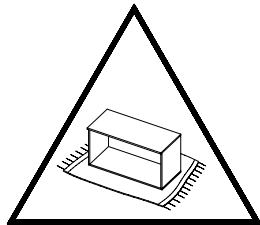
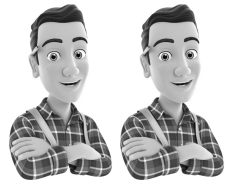
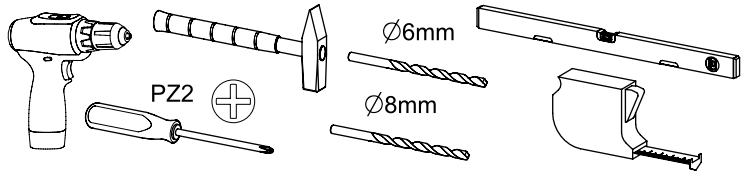


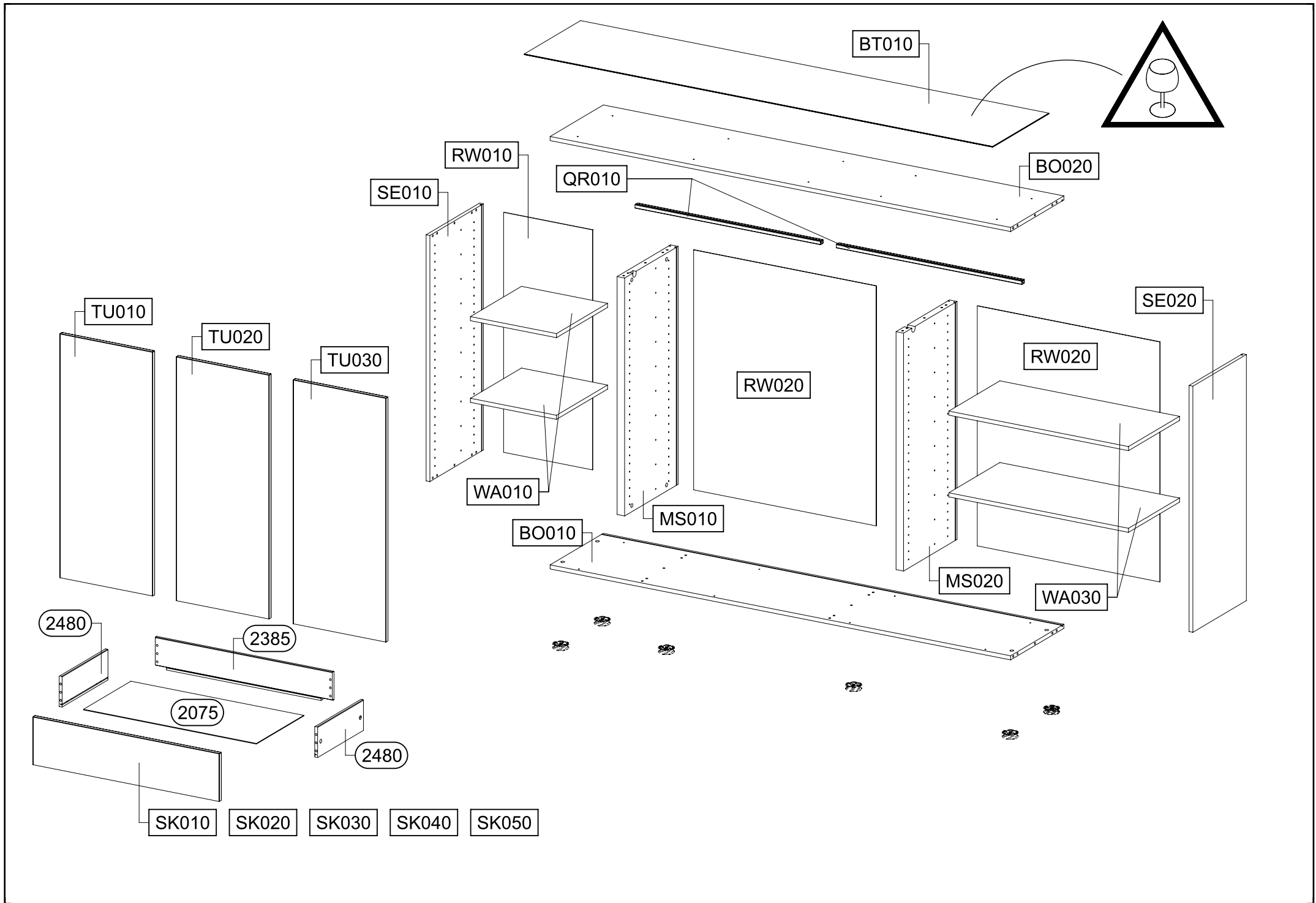
M3176_01




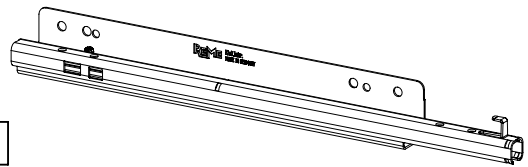
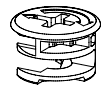
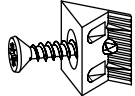
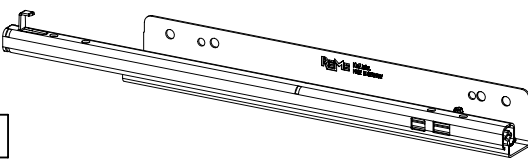
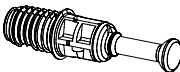

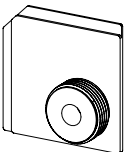
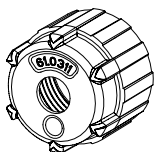

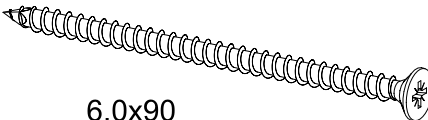

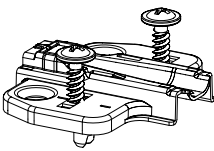
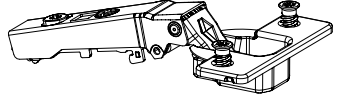
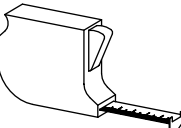
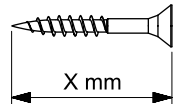
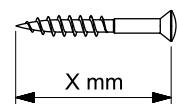
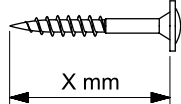


VIDEO

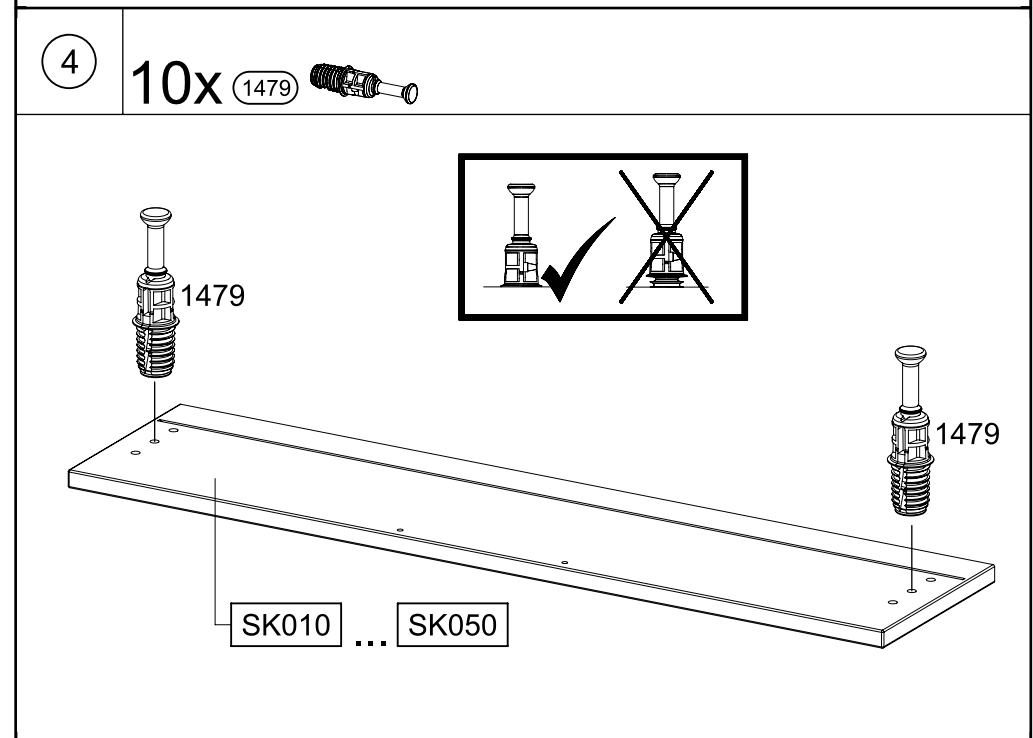
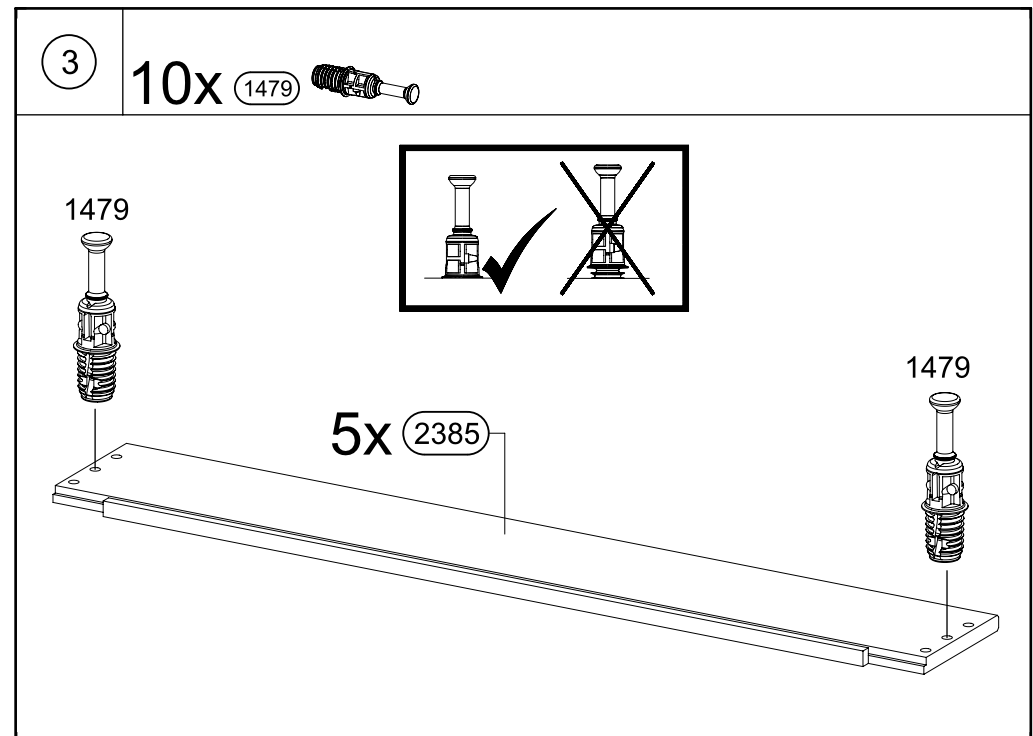
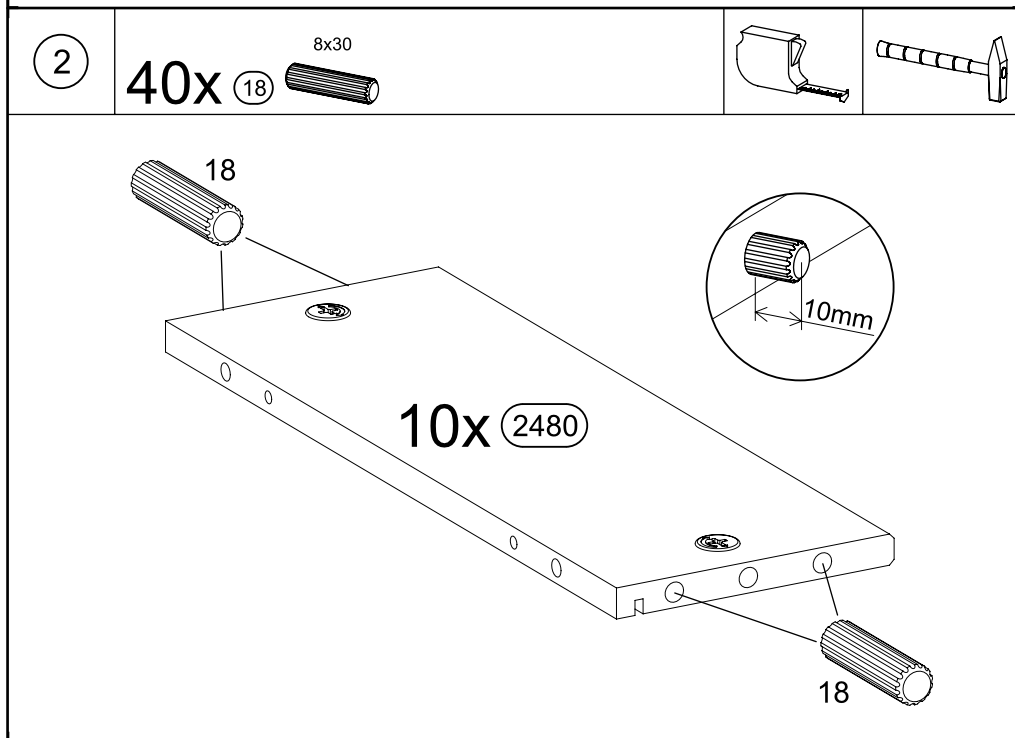
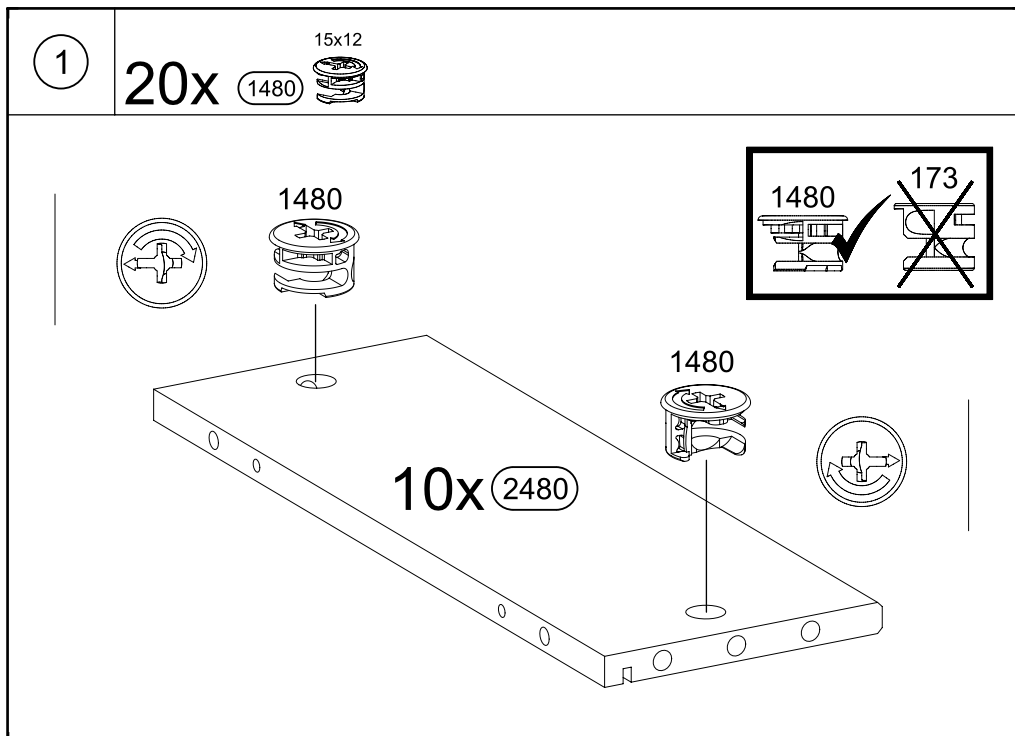


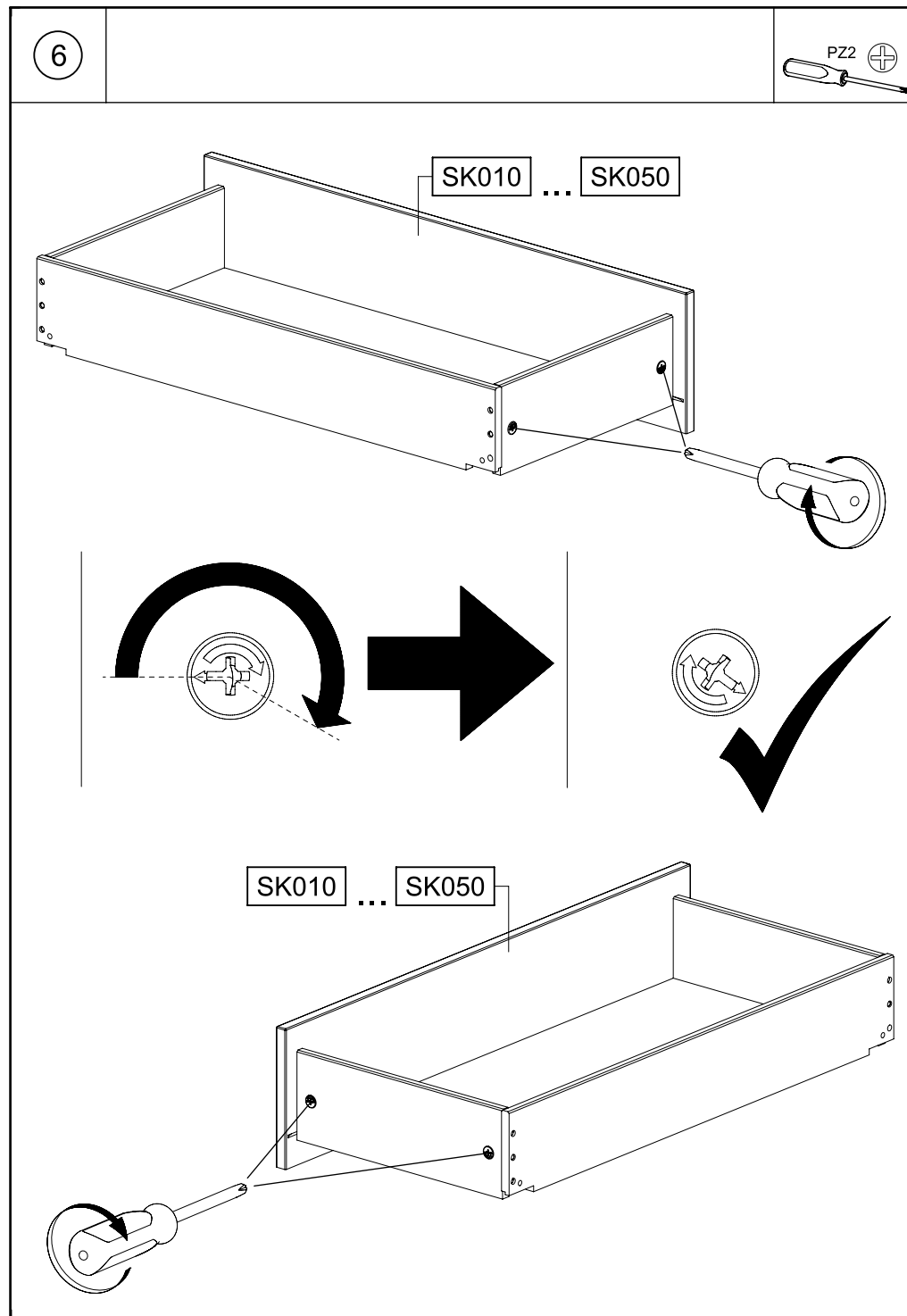
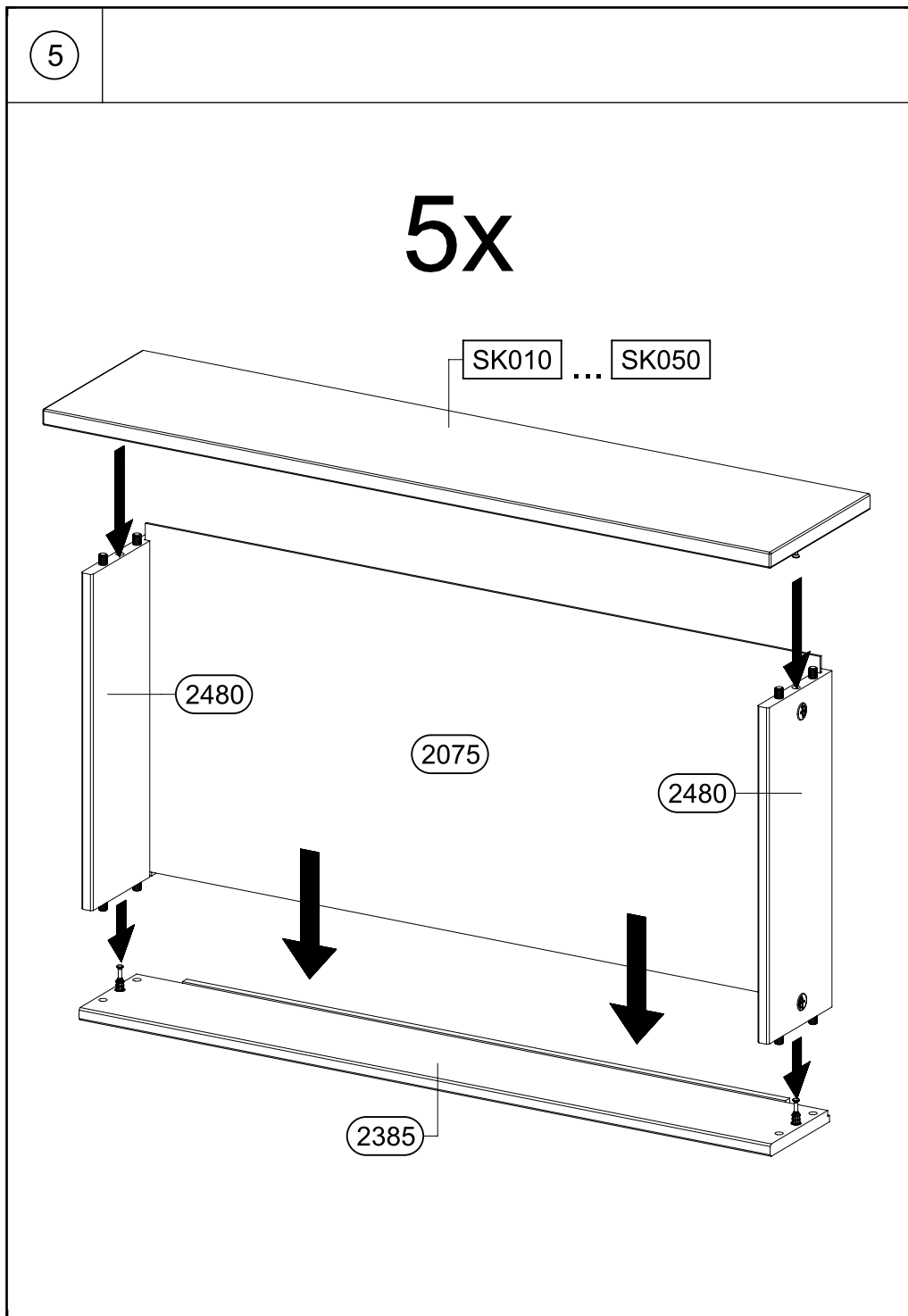
SCAN ME



20x 4x15 836 	64x 8x30 18 	20x 6,3x9 792 
5x UF010 	20x 15x12 1480 	12x 45 
5x UF020 	36x 1479 	10x 852 
2x 1091 	2x 1092 	2x 1093 
2x 1147 6,0x90 	16x 1089 	
6x 1415 	6x 1421 	
		
		

2x 1406 	2x 1407 
	
	
	
	

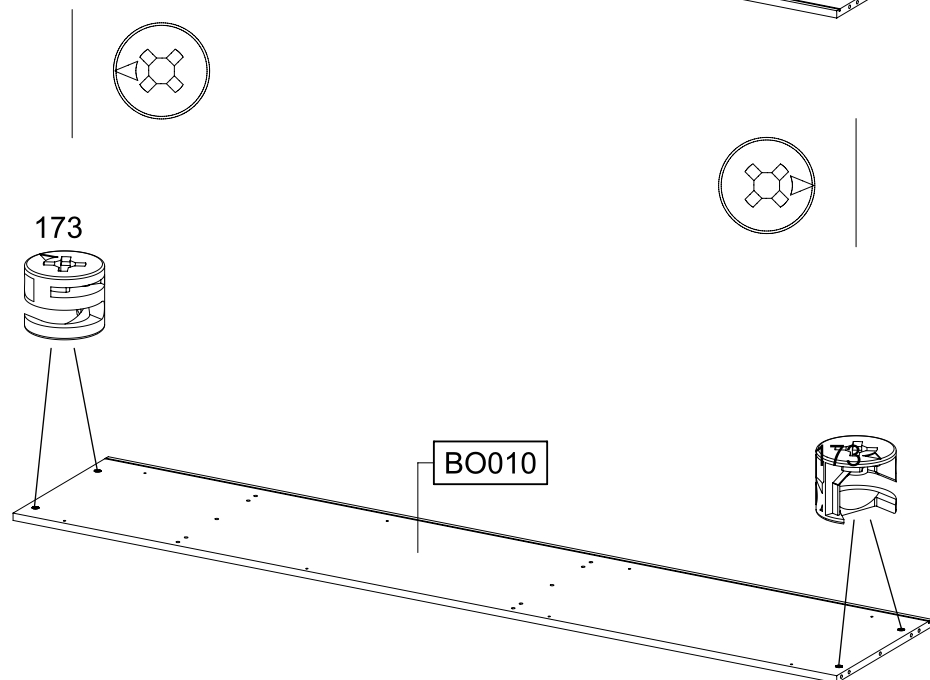
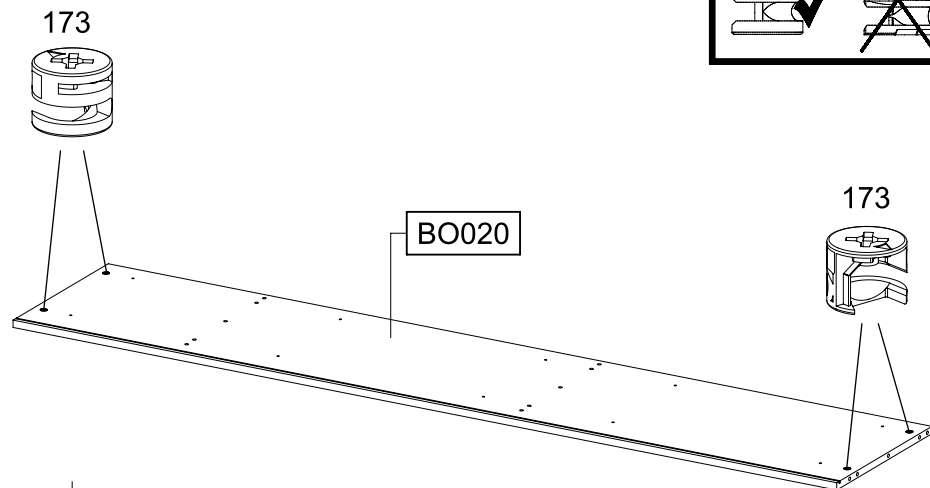




7

8x

173

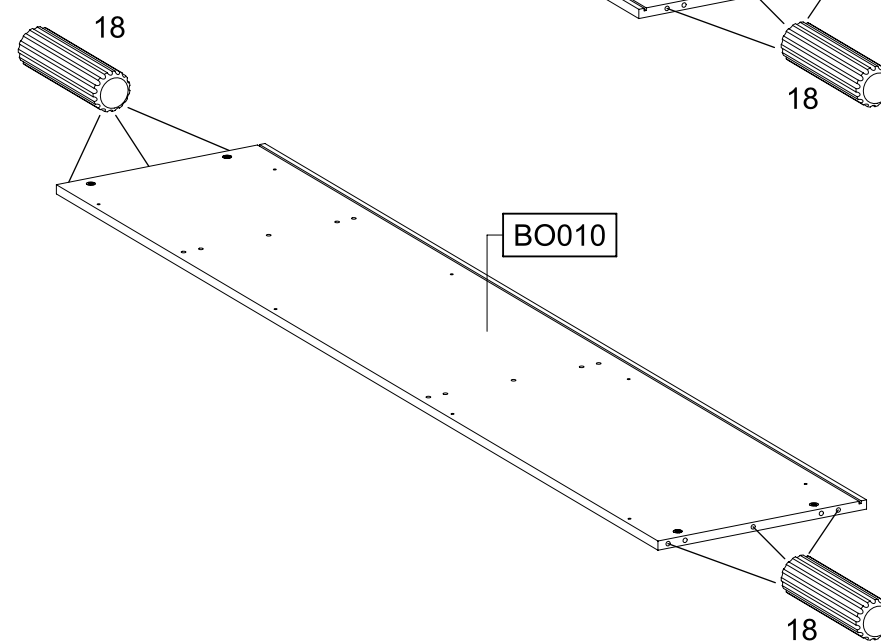
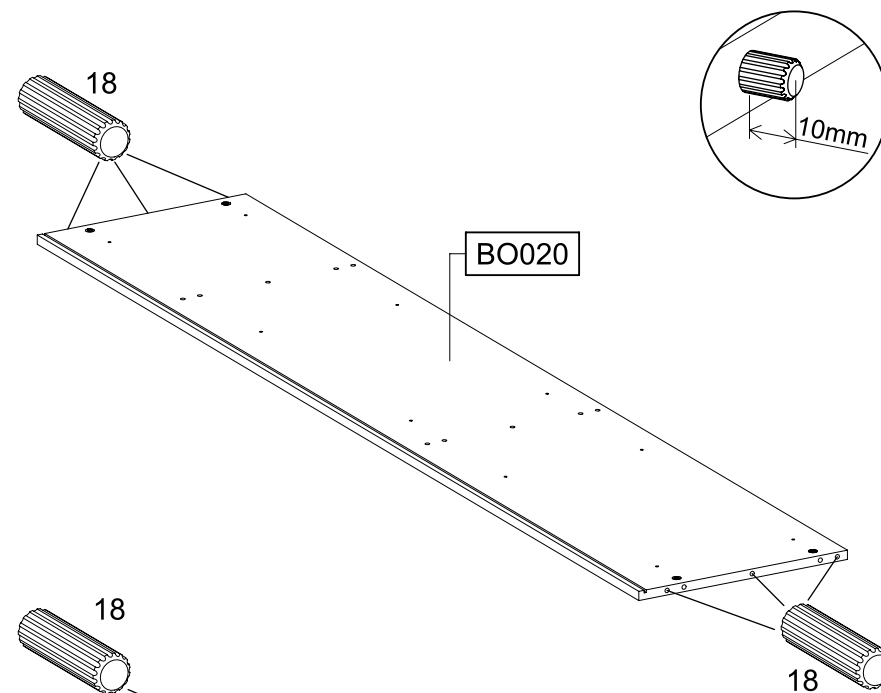
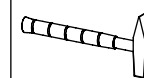
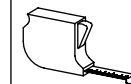


8

12x

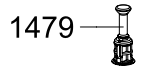
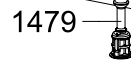
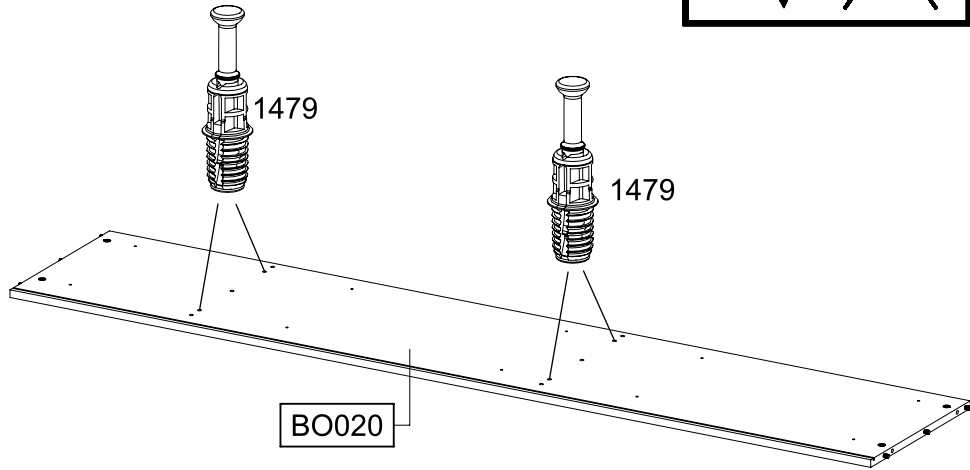
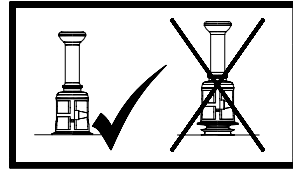
18

8x30




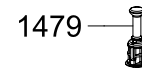
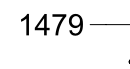
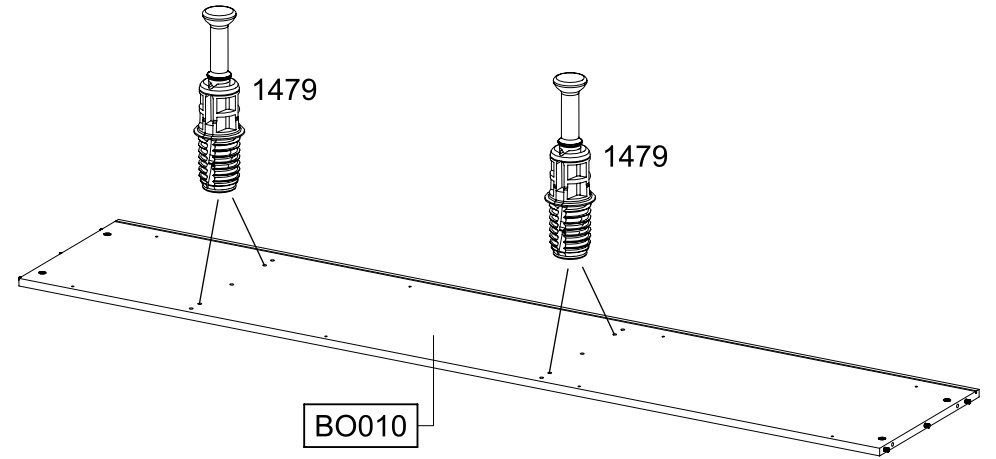
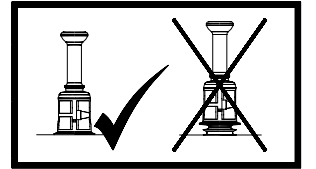
9

4x 1479 



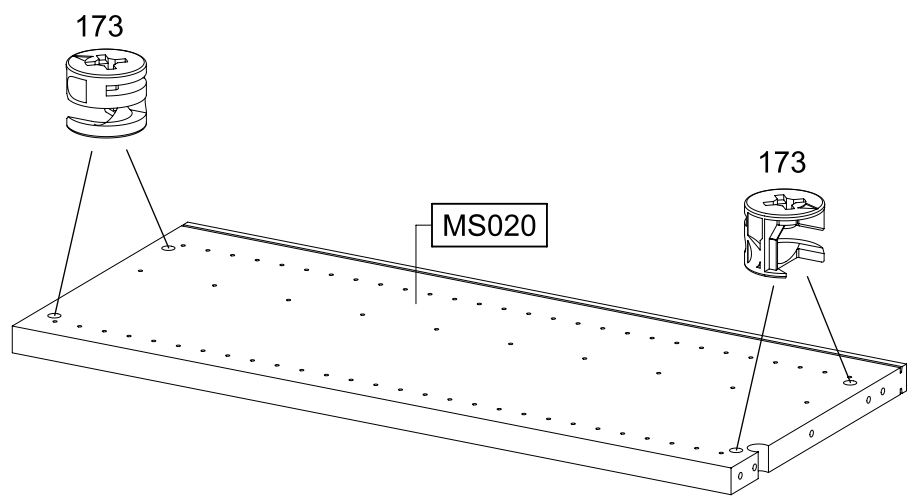
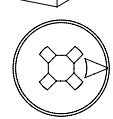
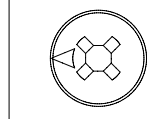
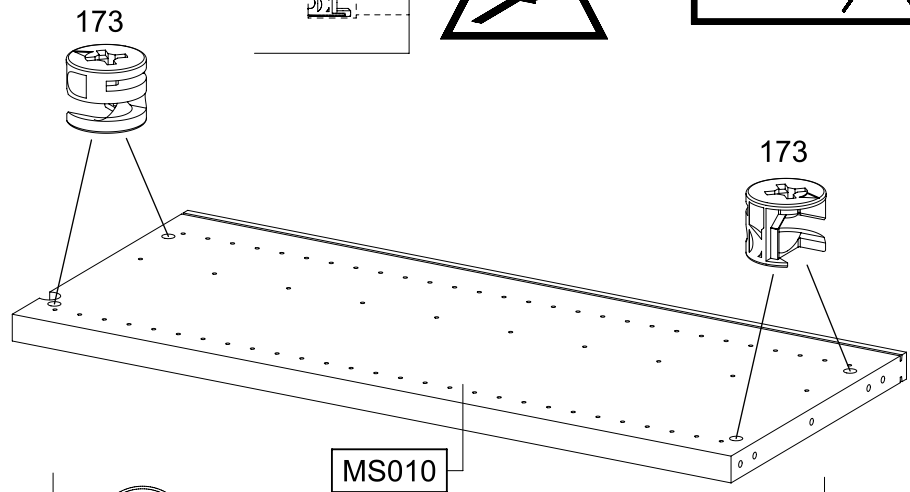
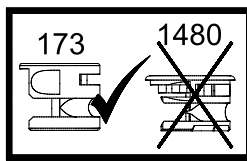
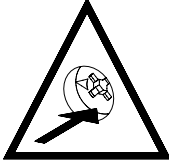
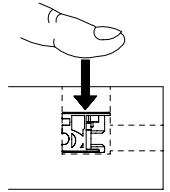
10

4x 1479 



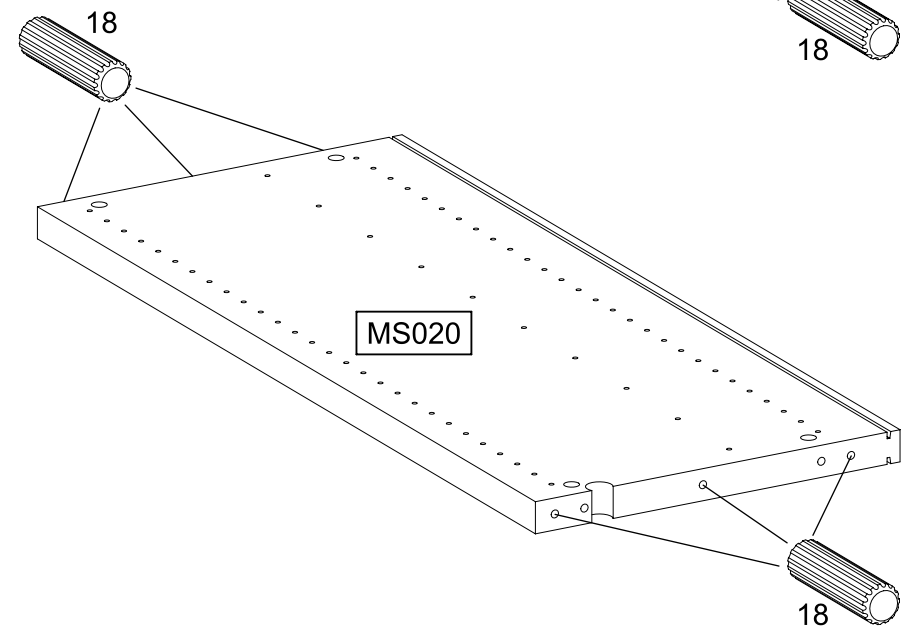
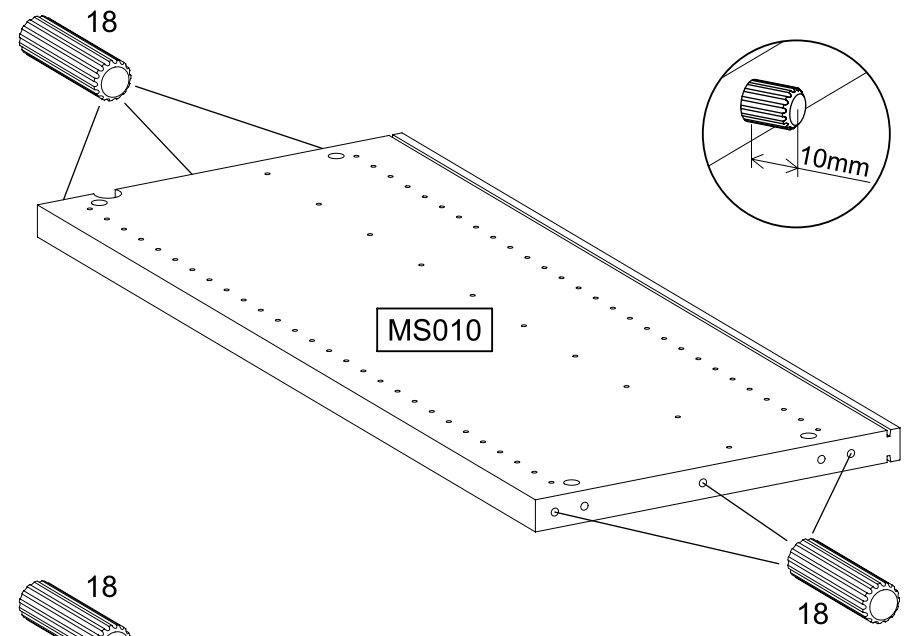
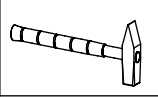
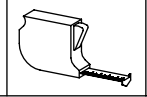
11

8x  173

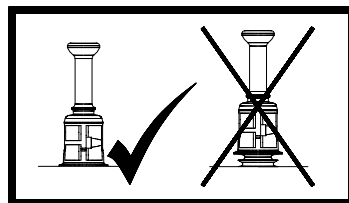
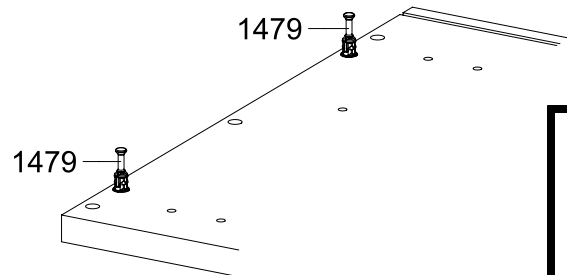
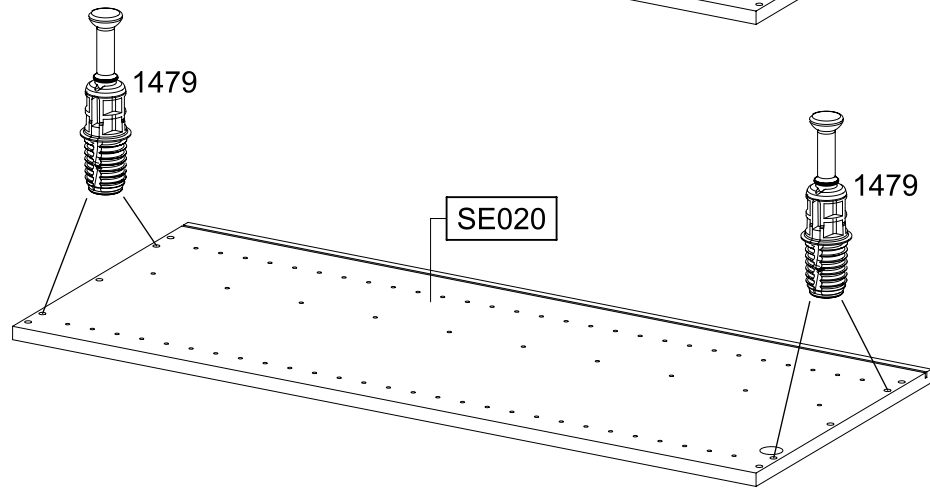
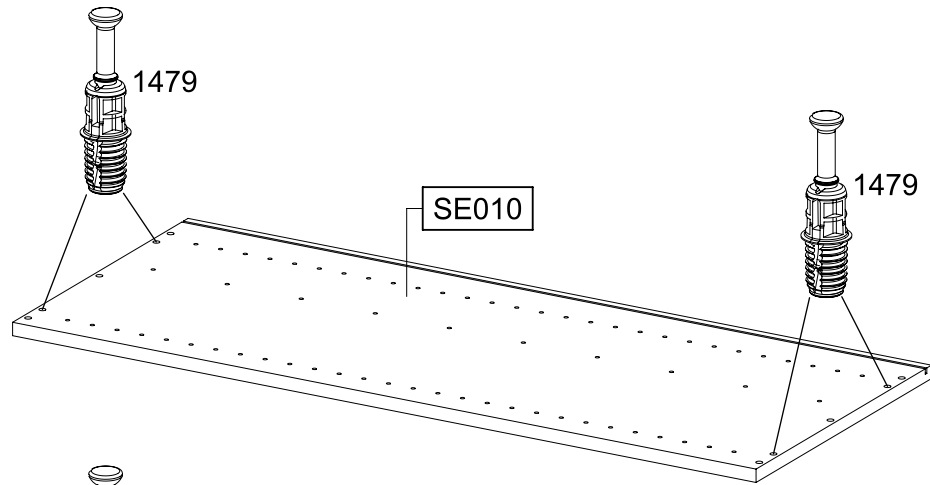



12

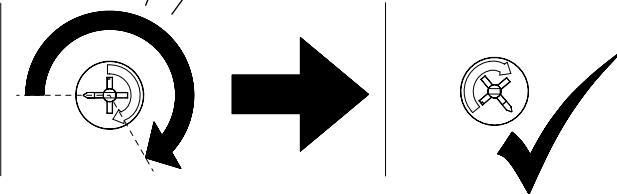
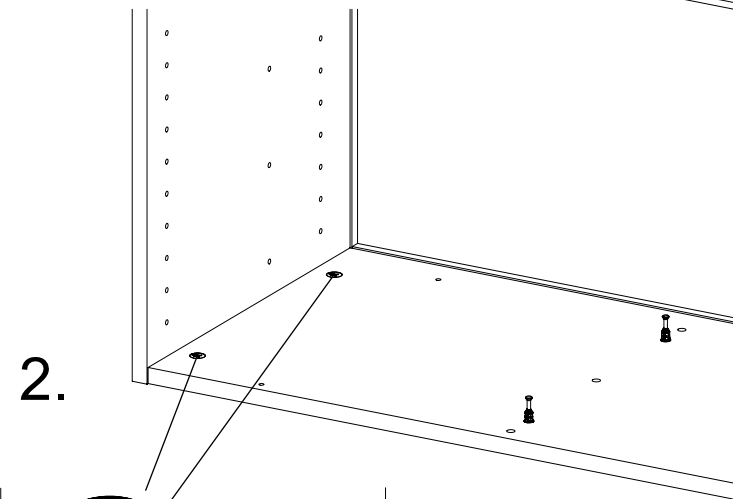
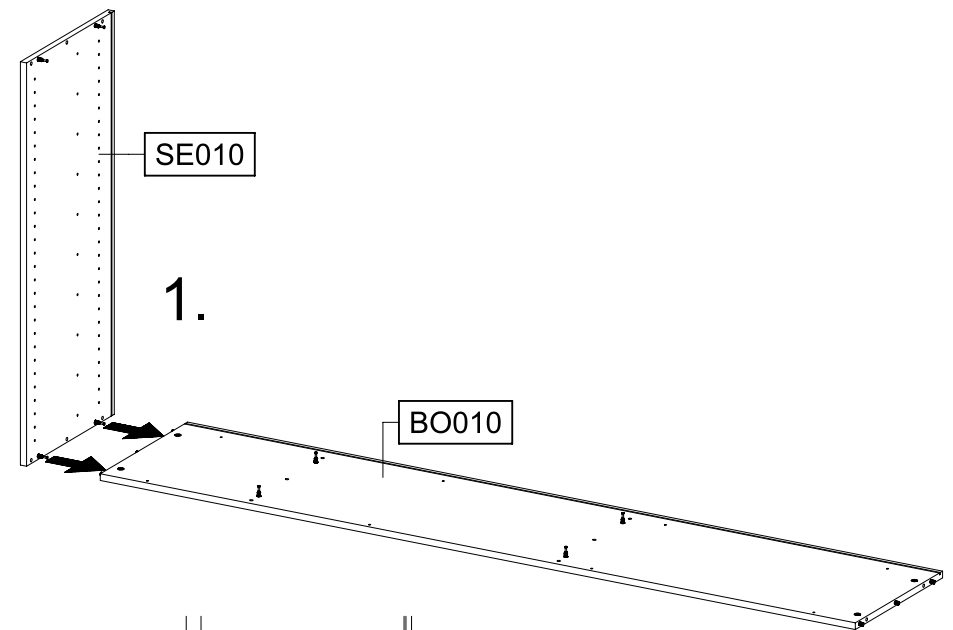
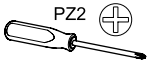
12x  18 8x30

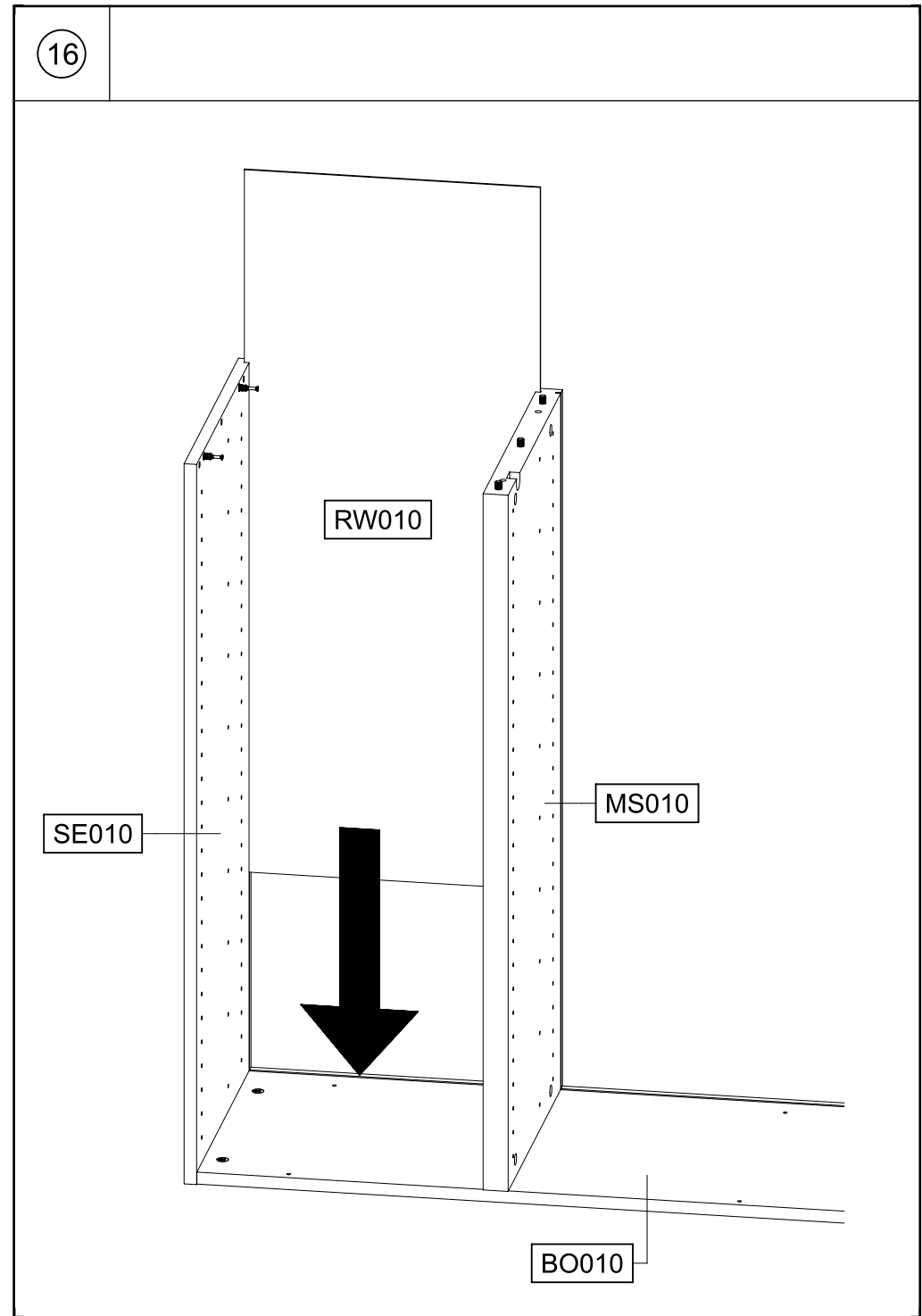
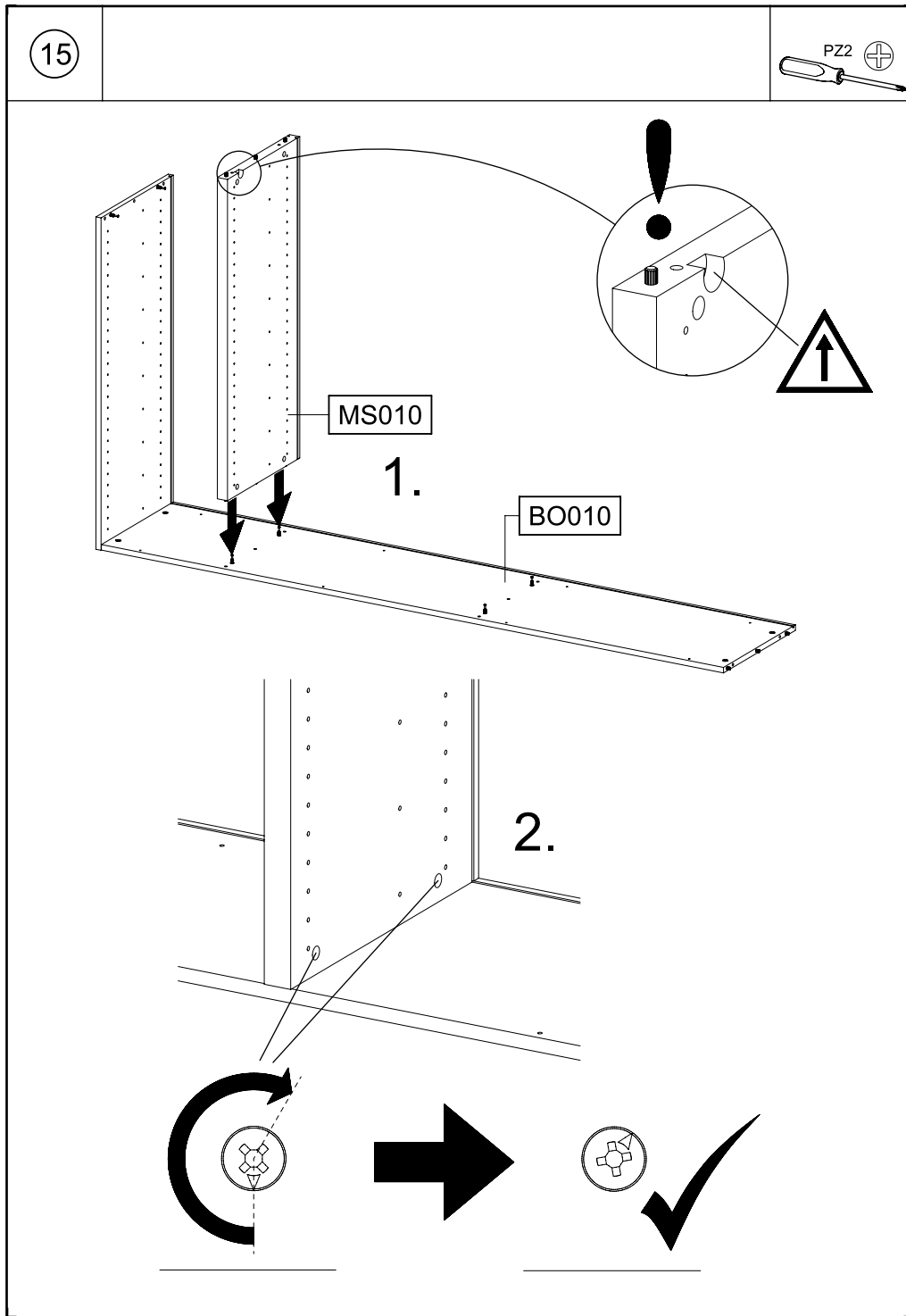


13

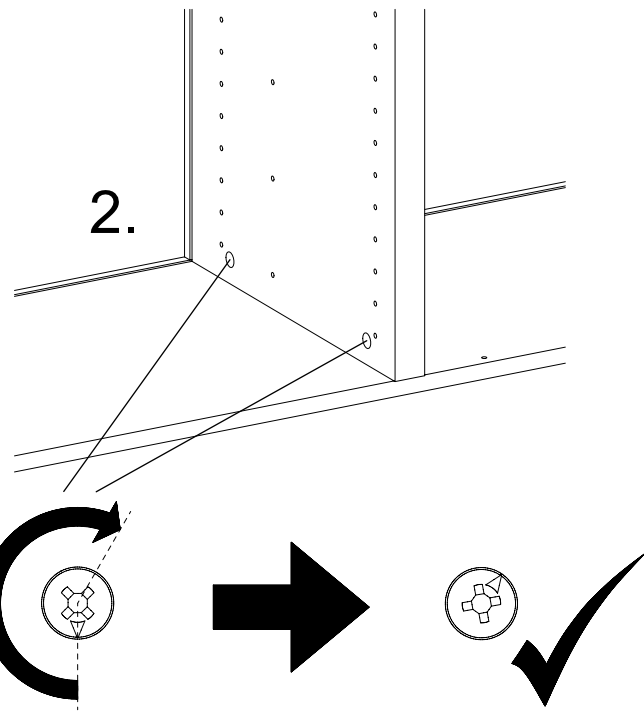
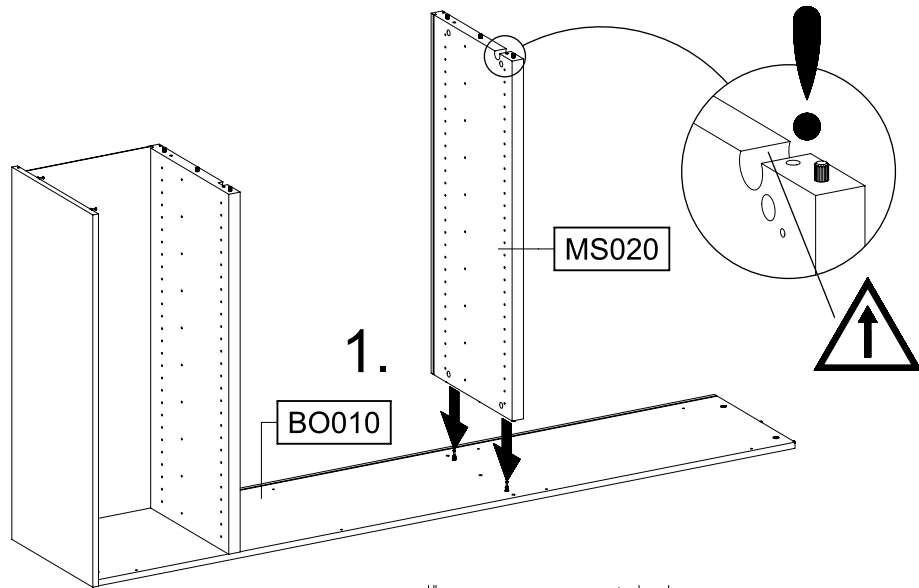
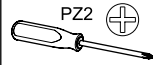
8x 1479 

14

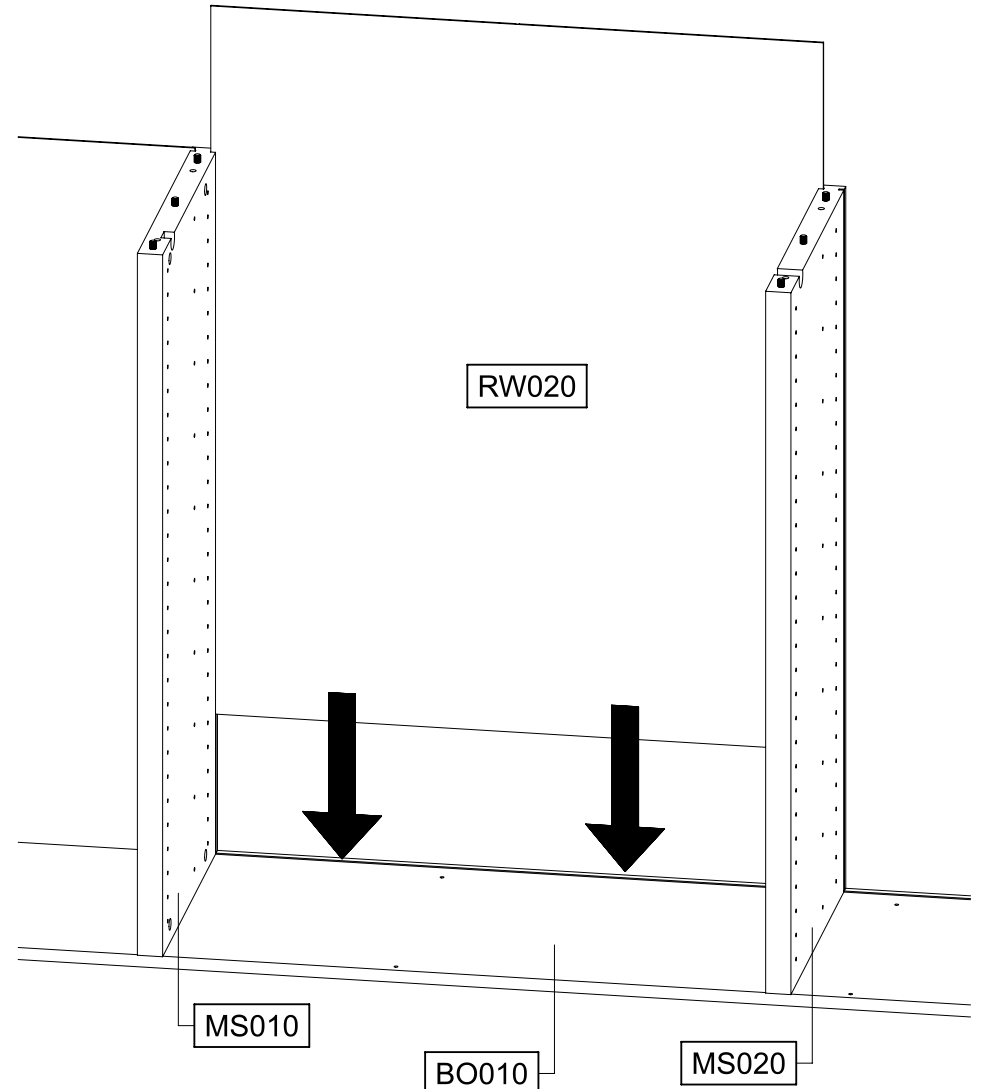
PZ2 



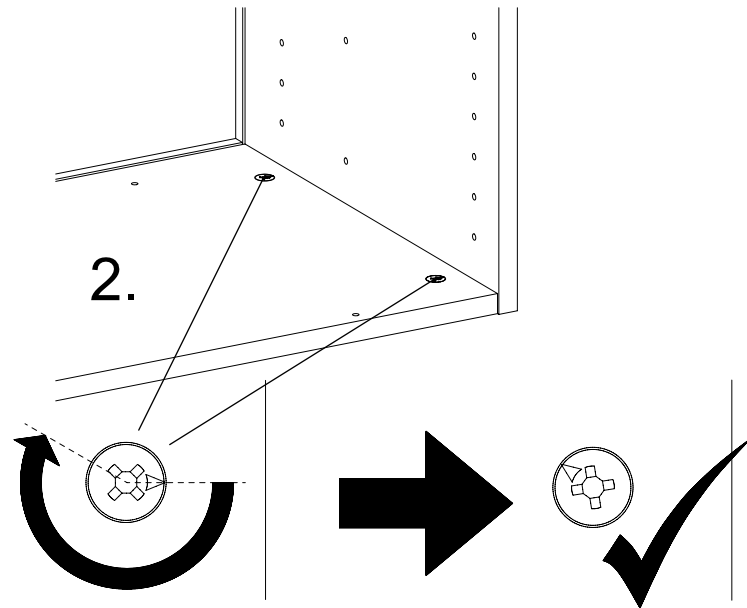
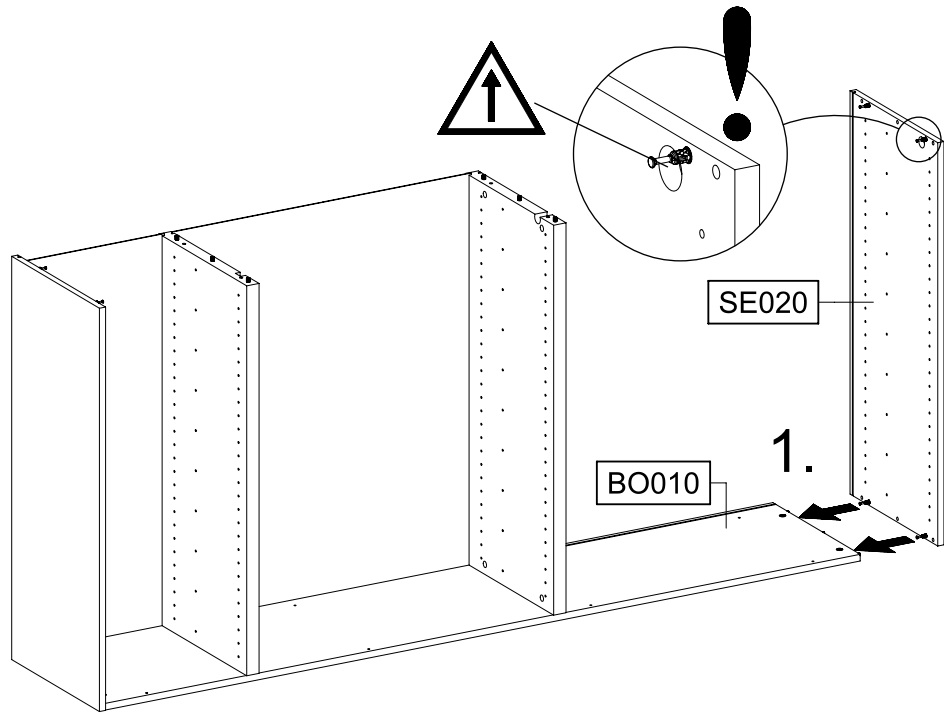
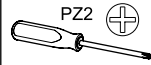
17



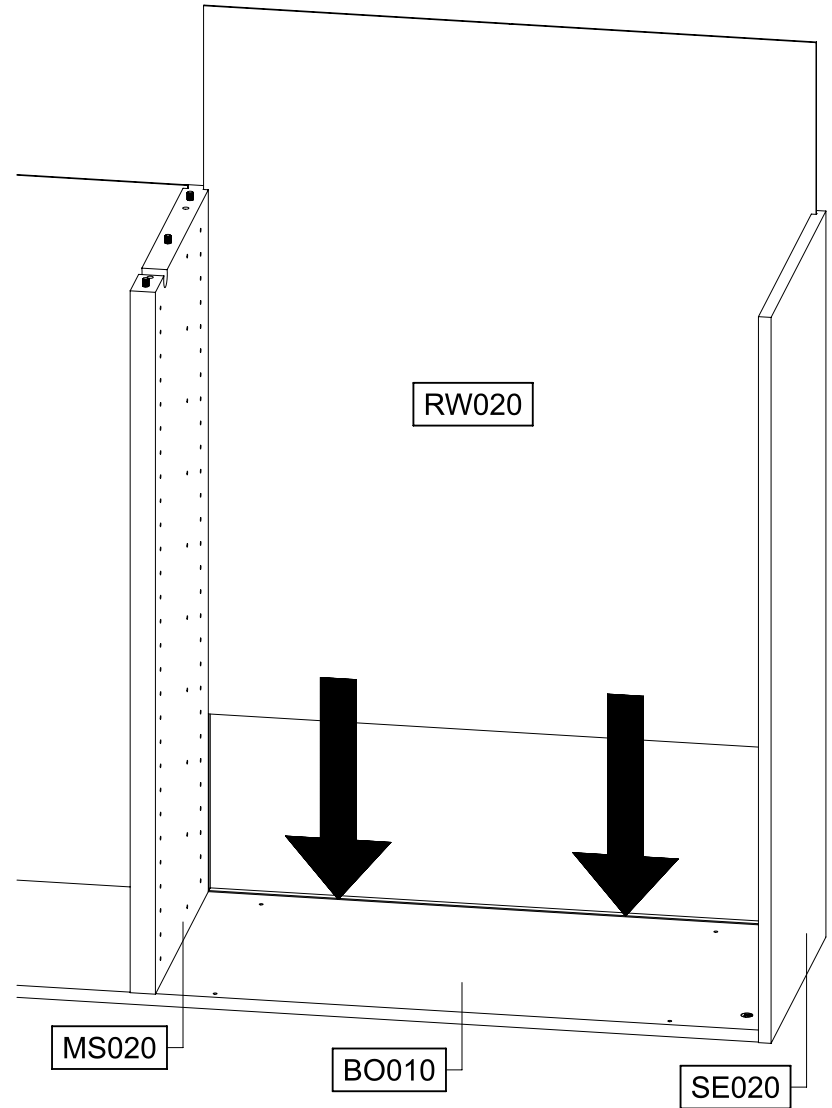
18



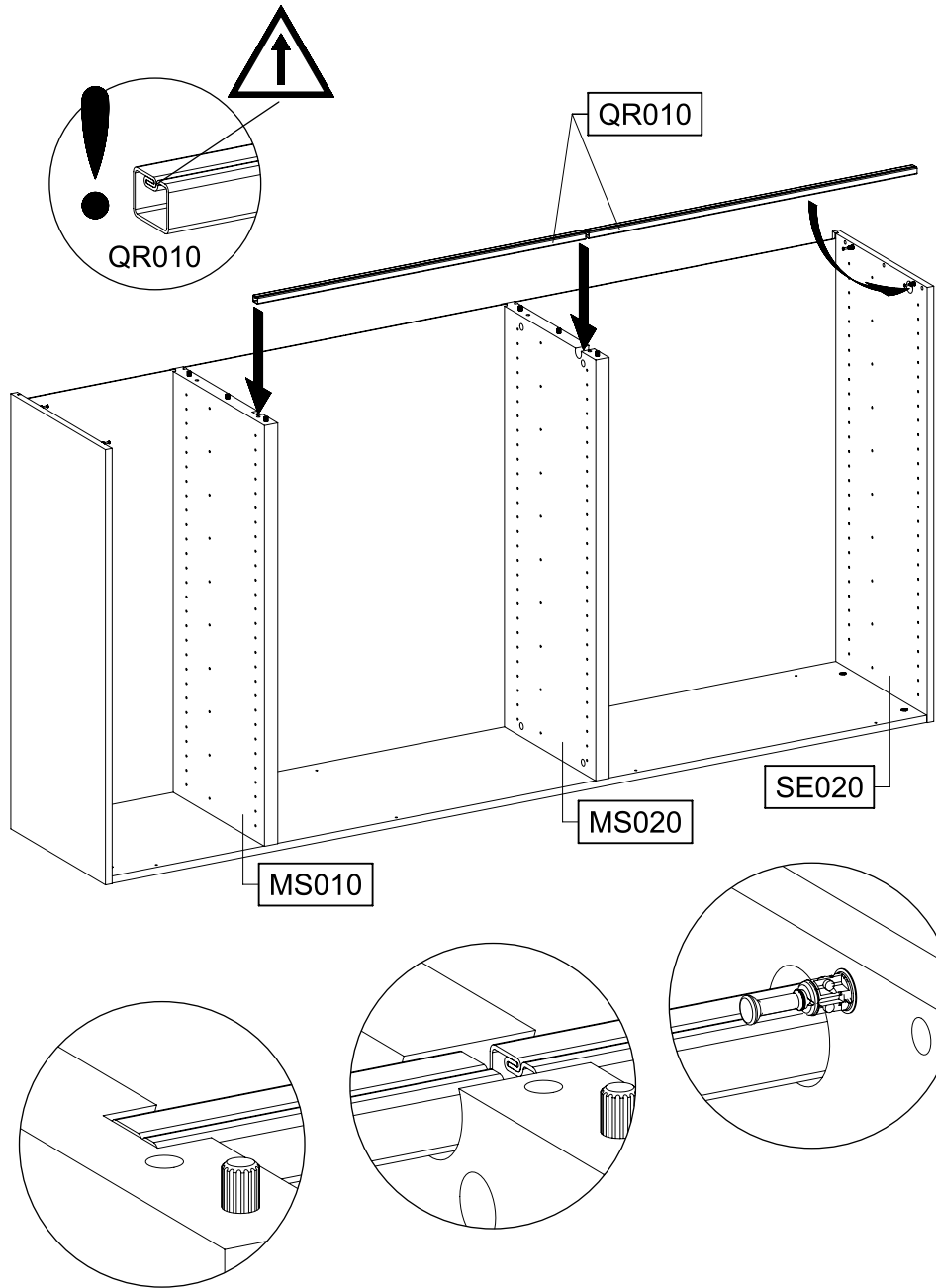
19



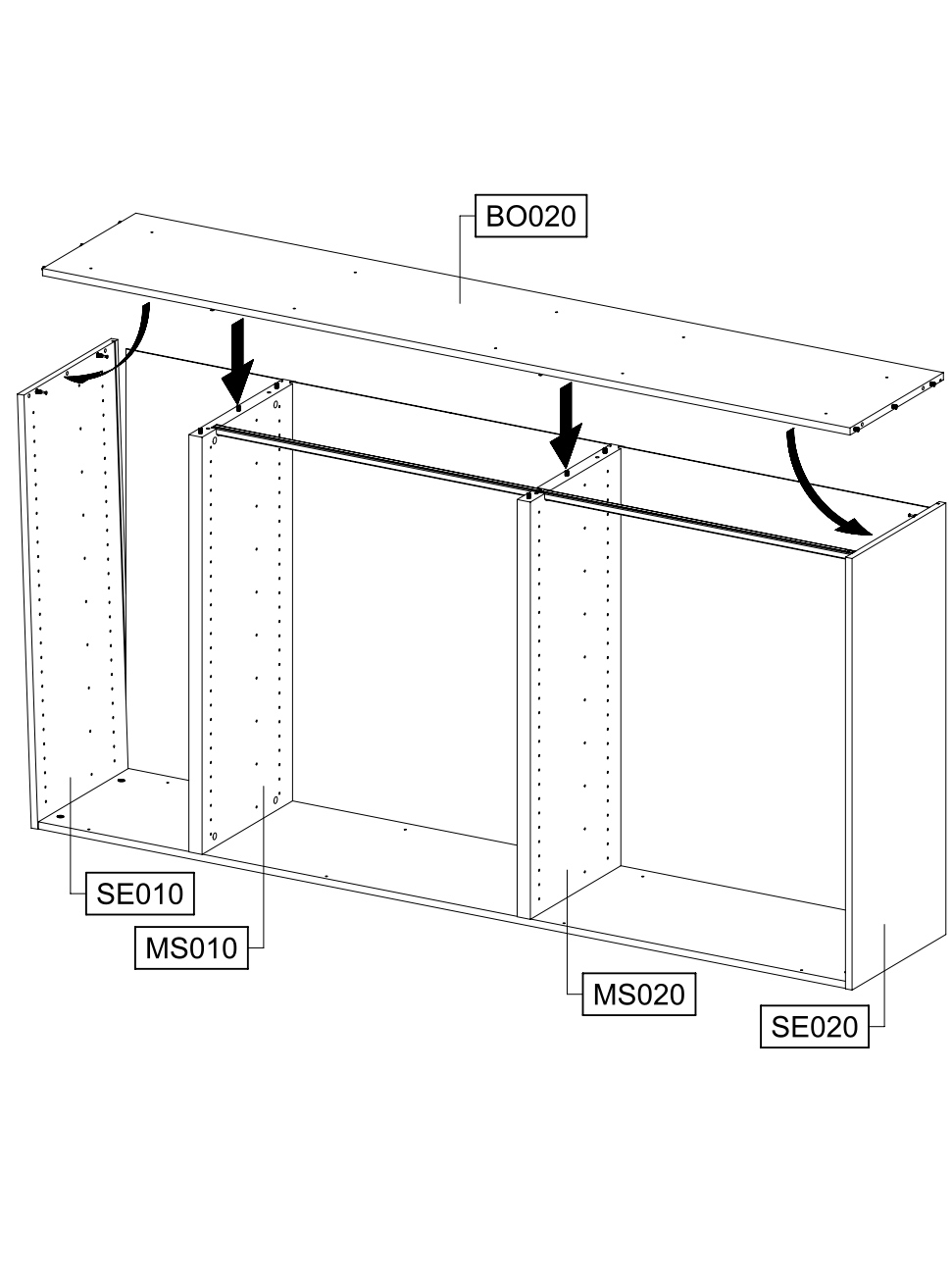
20



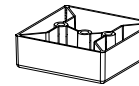
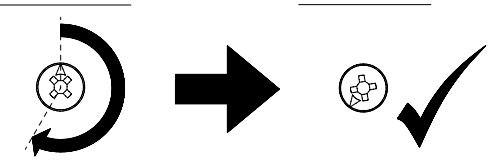
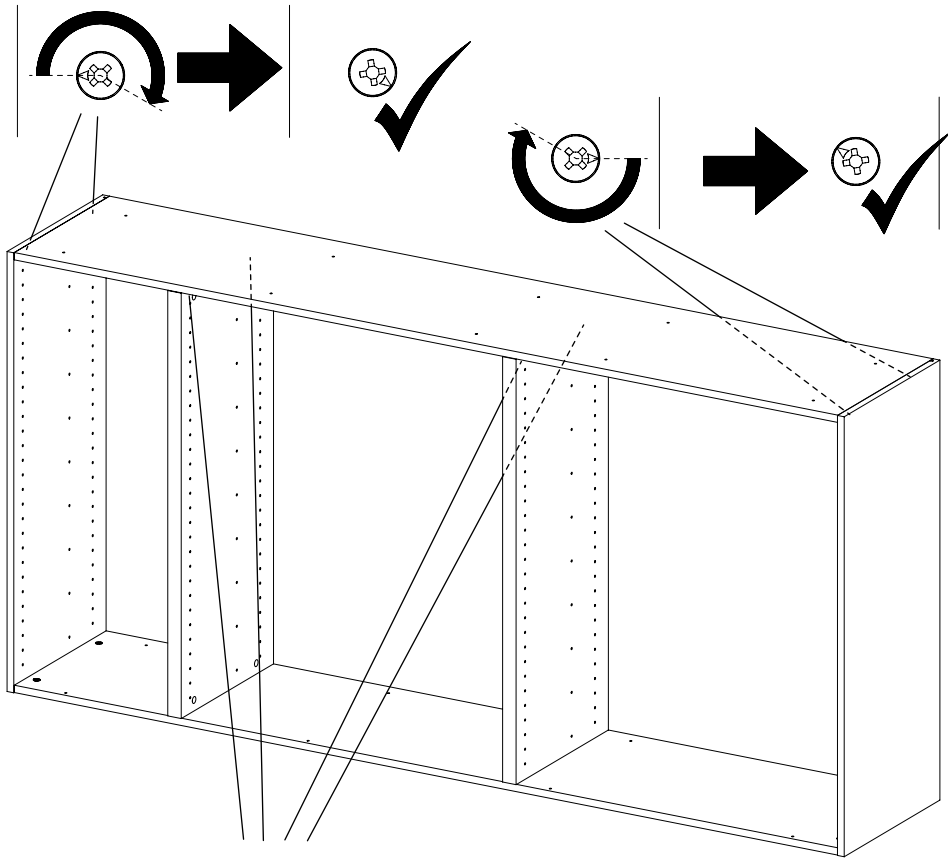
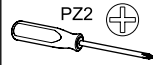
21



22



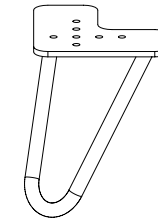
23



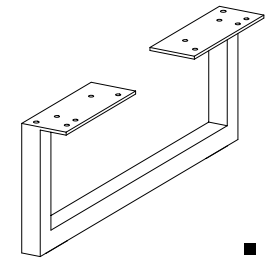
1207



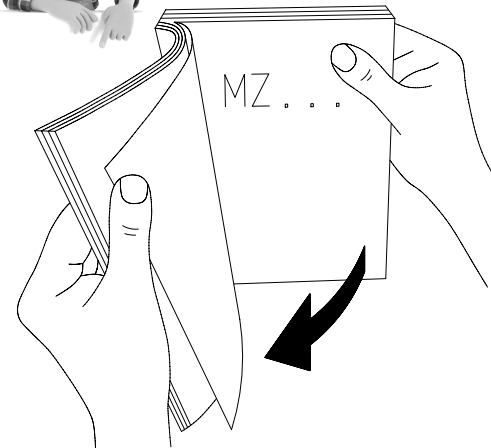
1481



1345

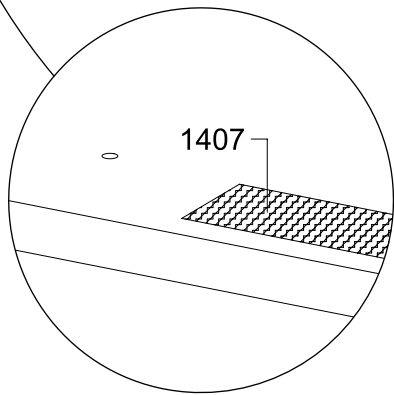
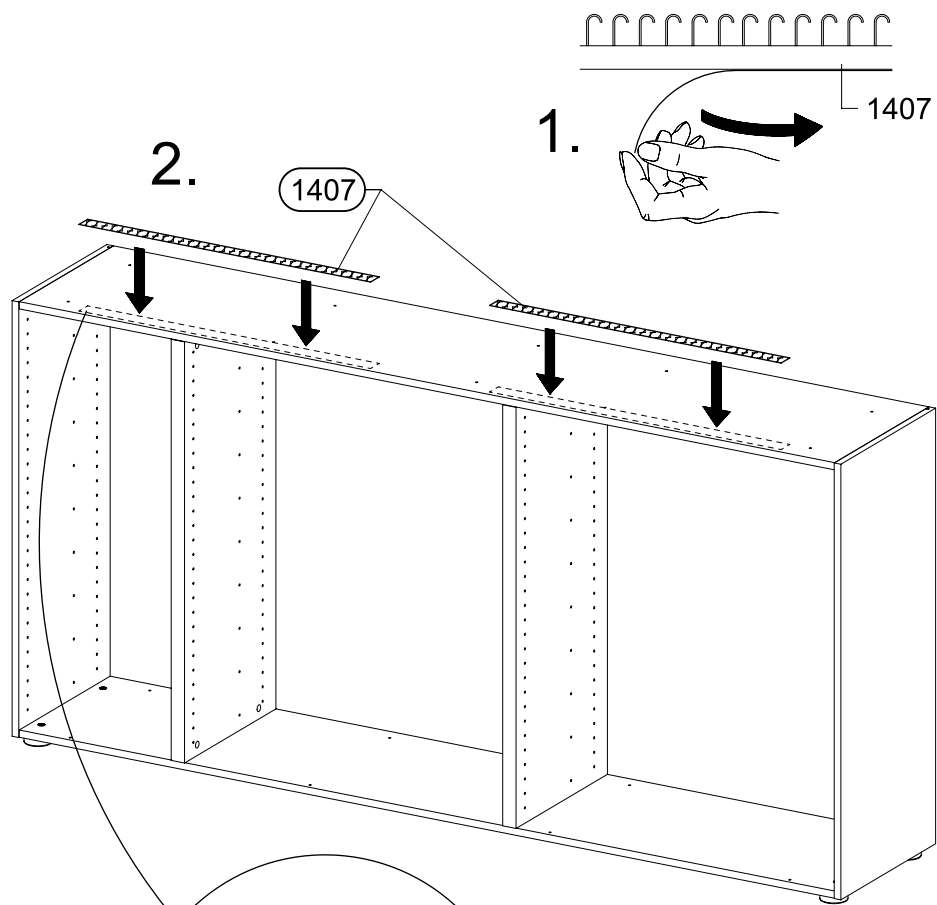


1348



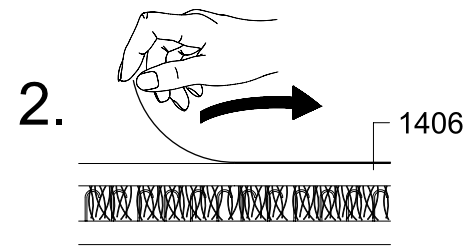
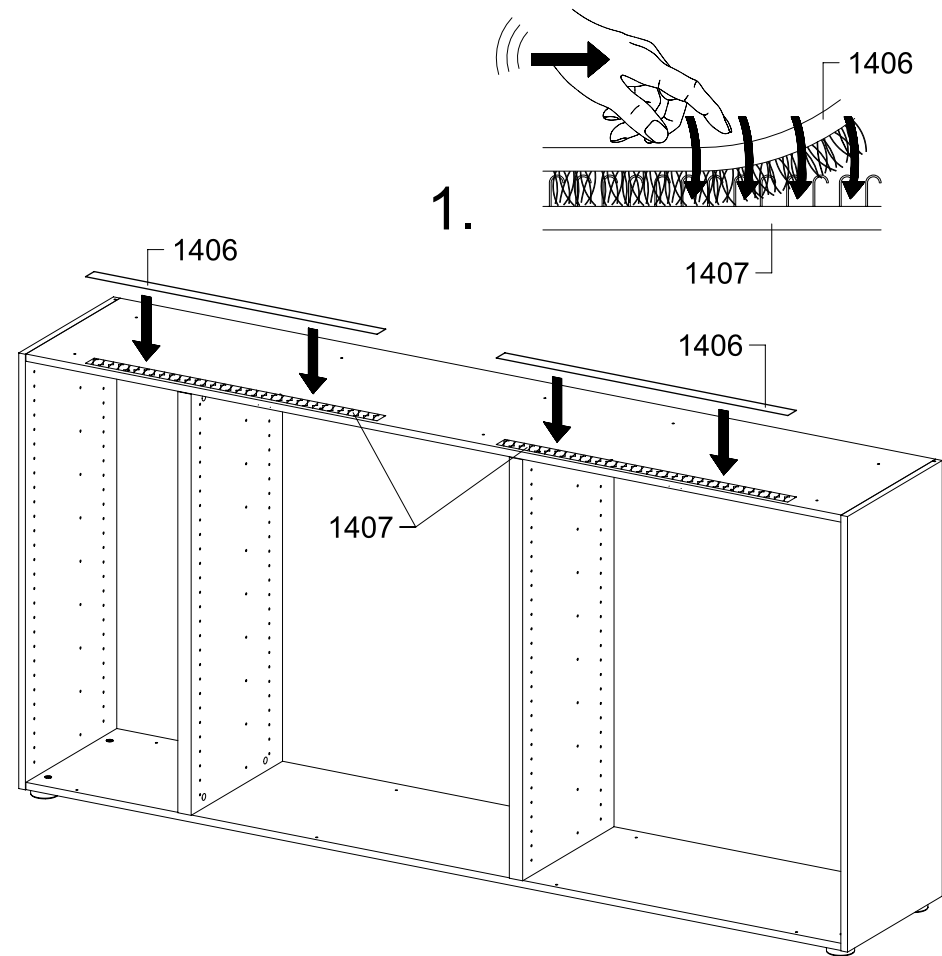
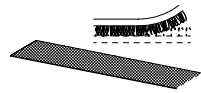
24

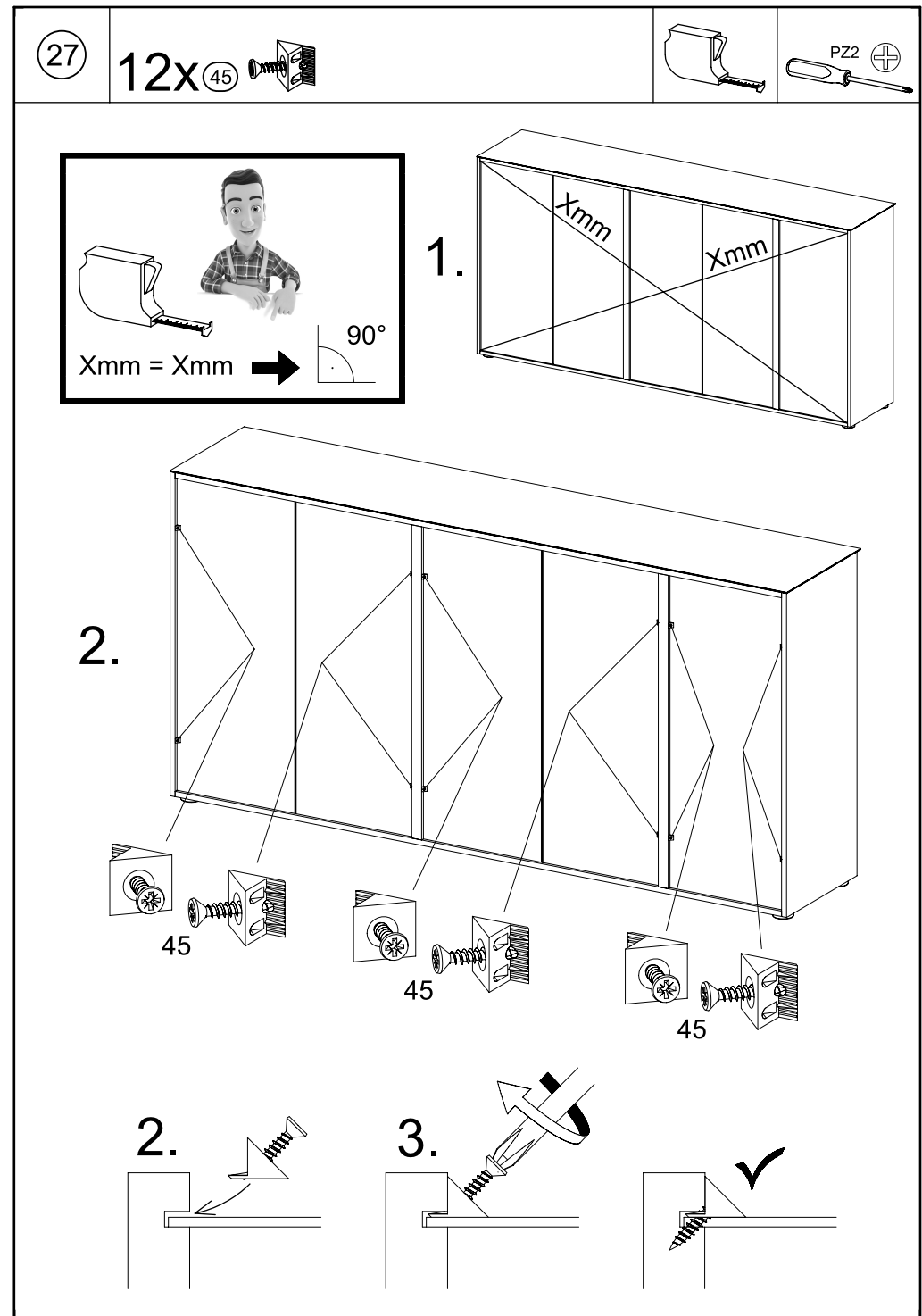
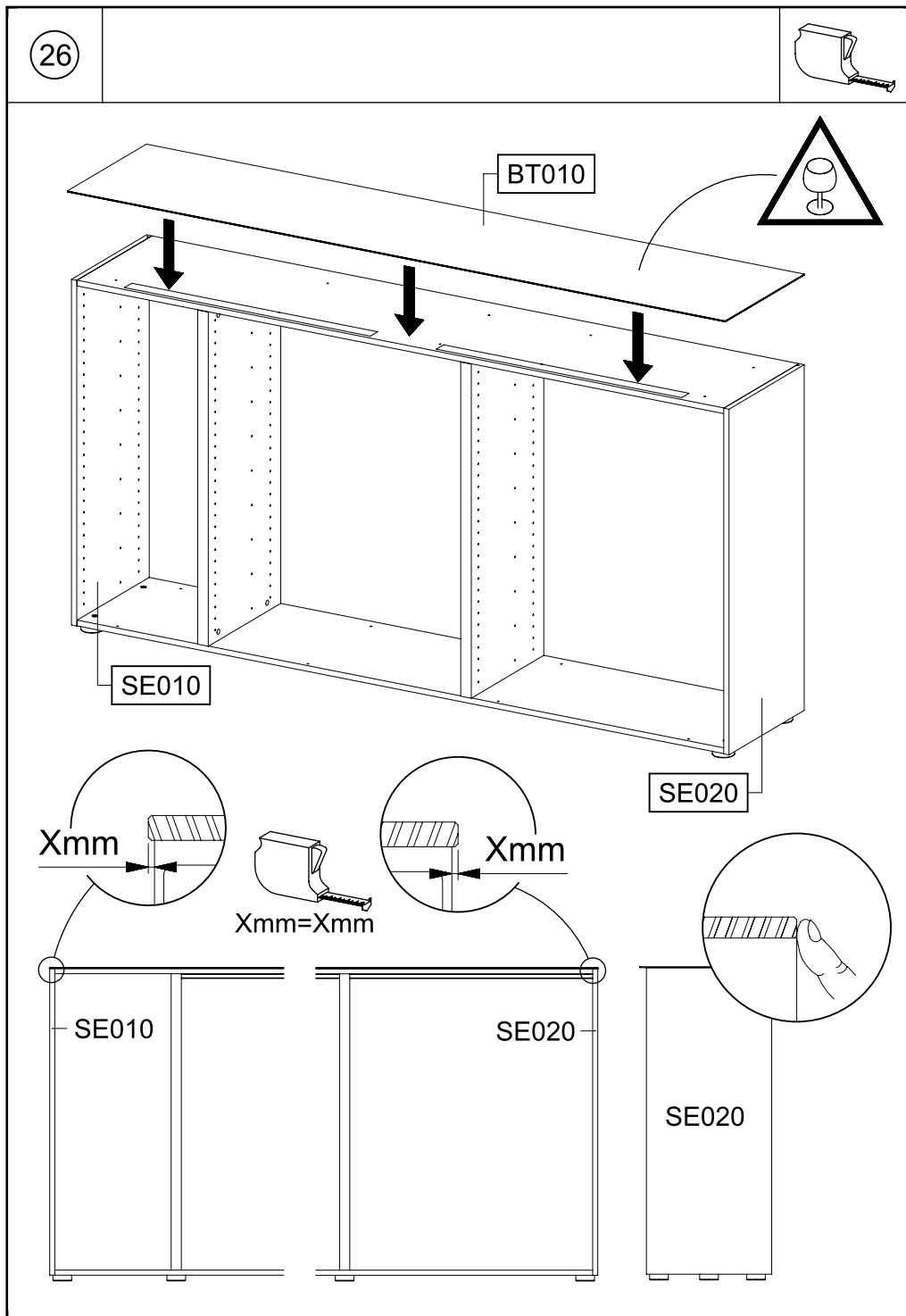
2x 1407



25

2x 1406





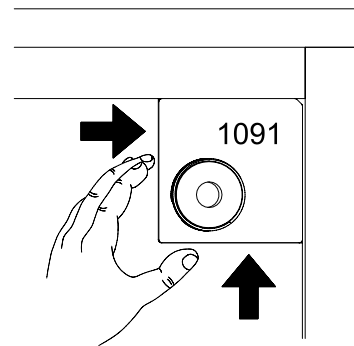
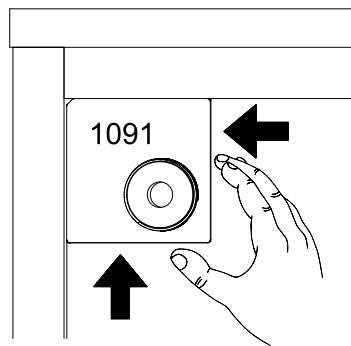
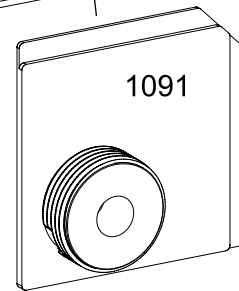
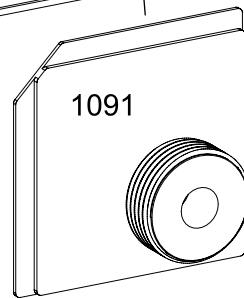
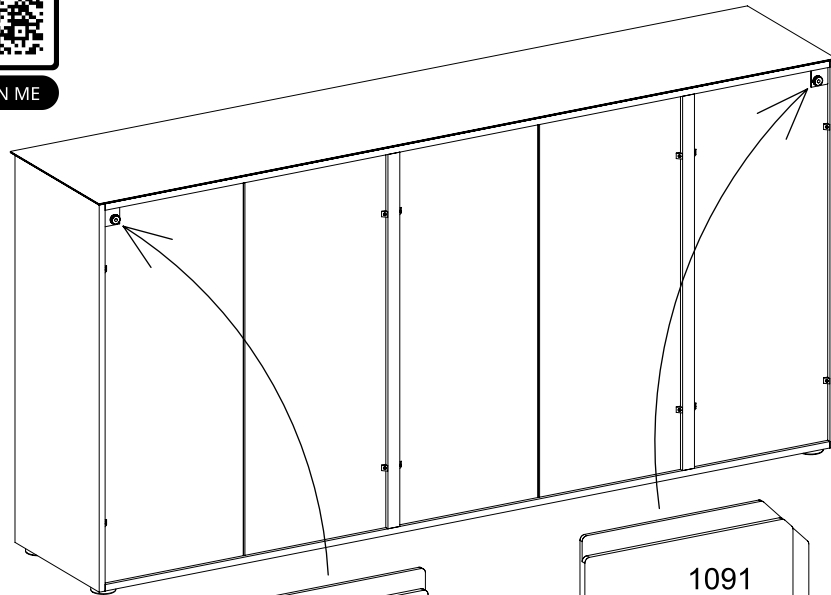
28

2x

1091



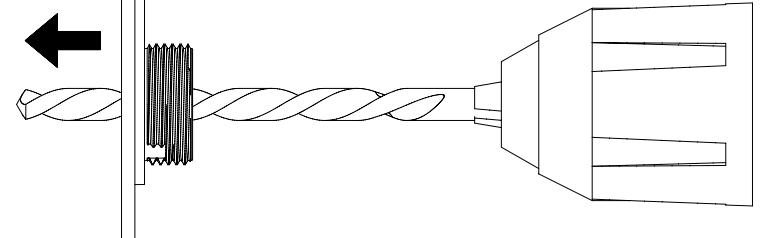
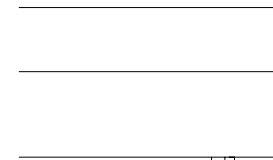
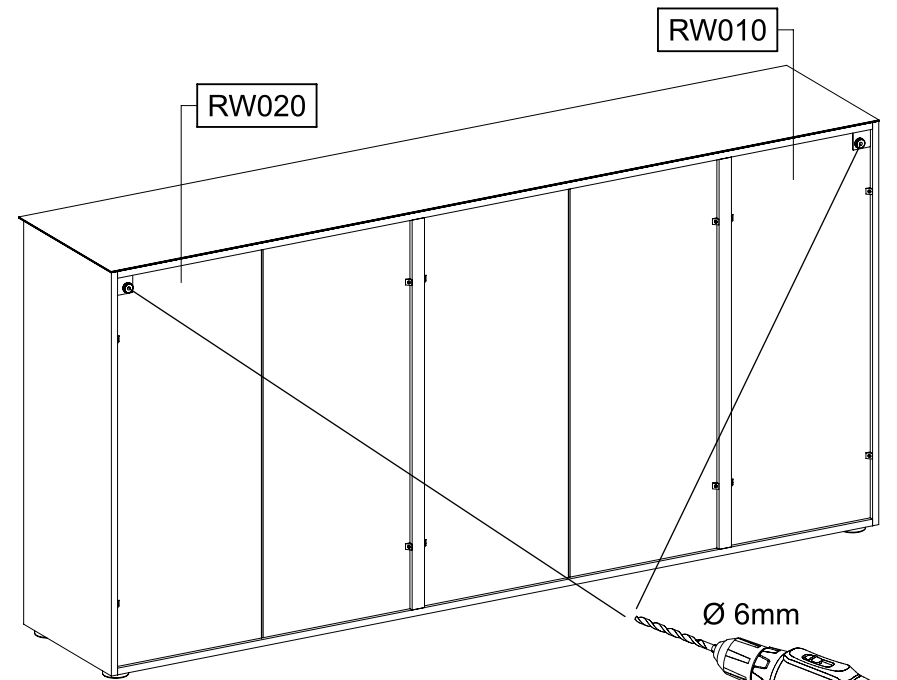
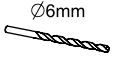
SCAN ME

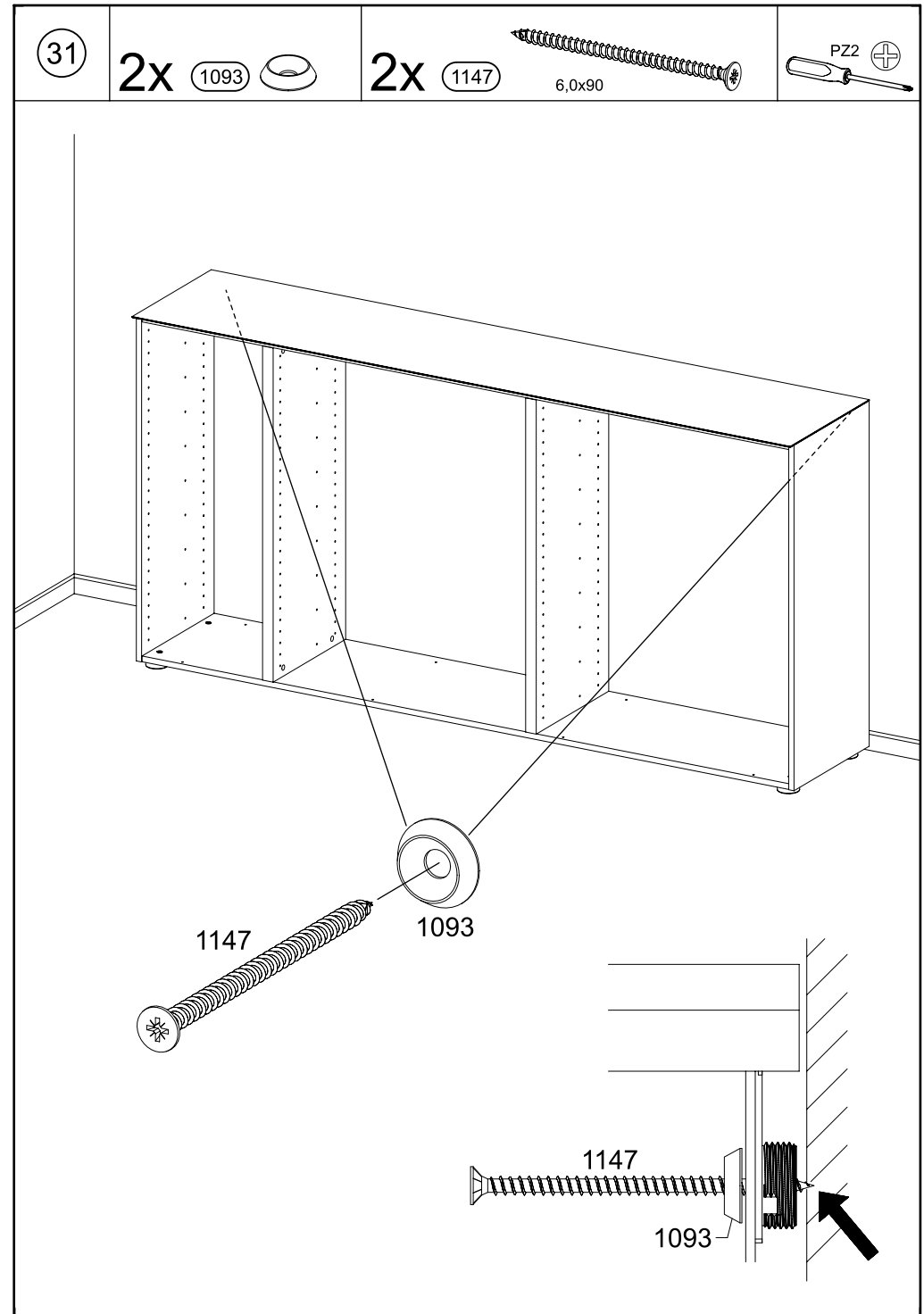
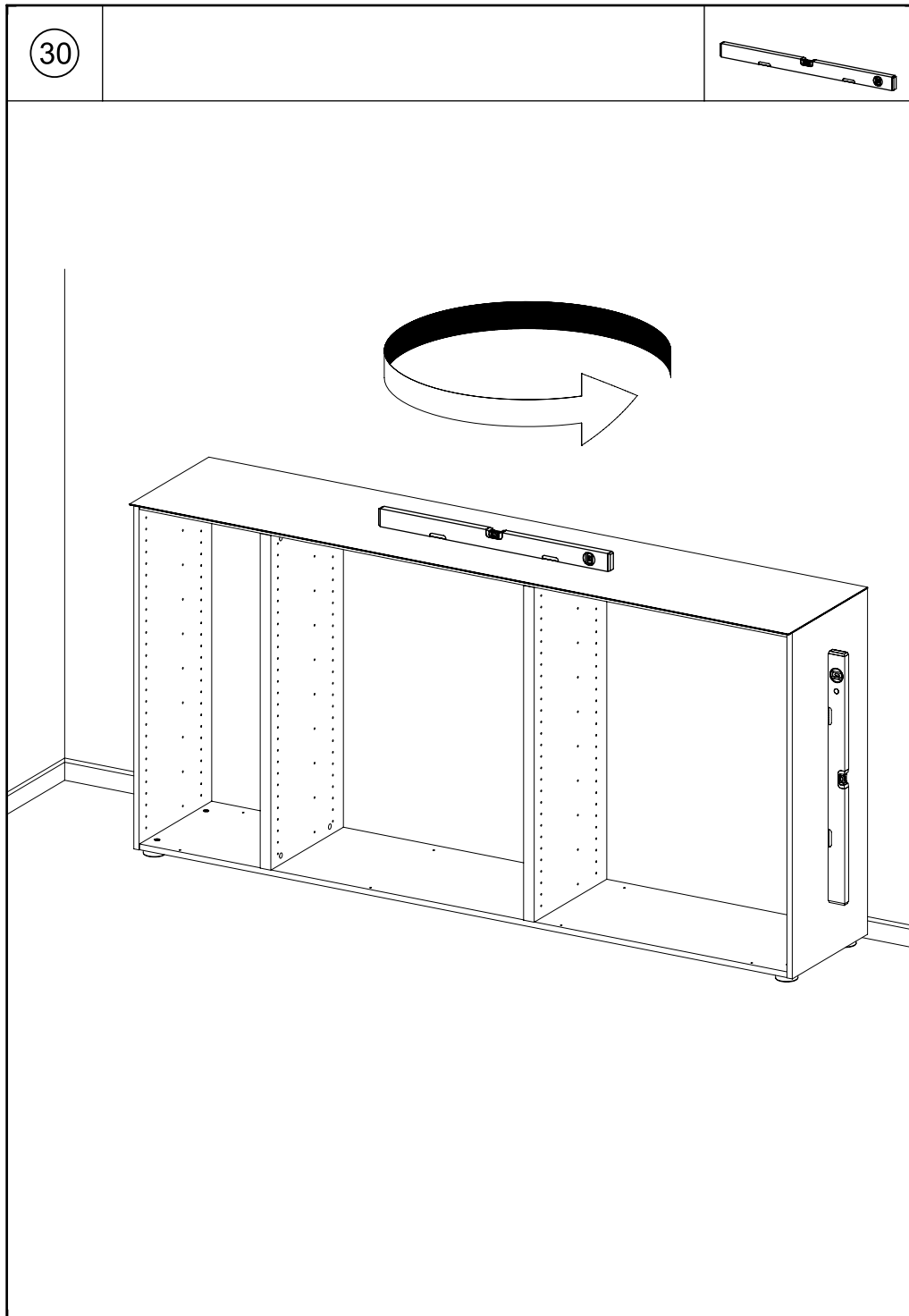


29



Ø6mm

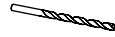




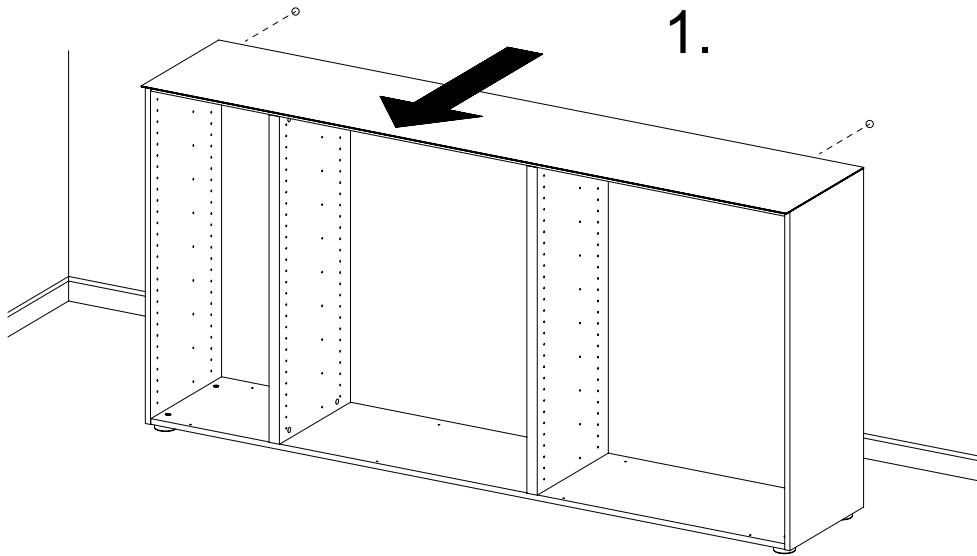
32



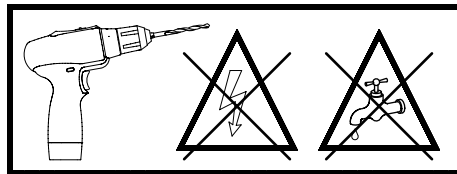
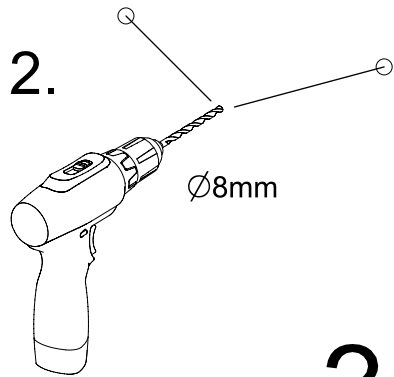
Ø8mm



1.

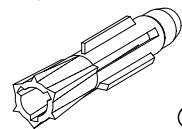
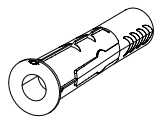
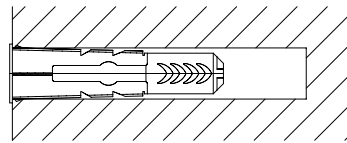


2.



?

3.

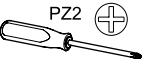
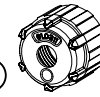


Ø8mm

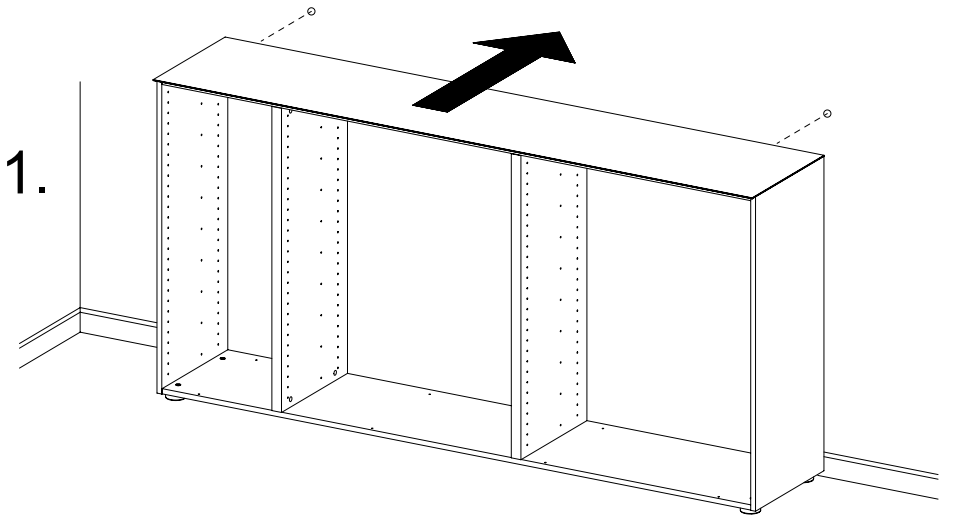
33

2x

1092

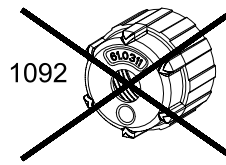


1.



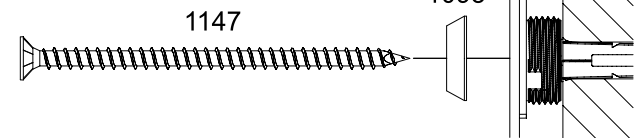
1092

2.



1147

1093



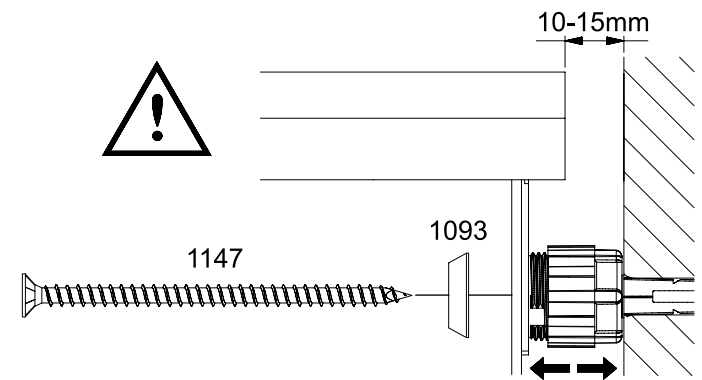
10-15mm

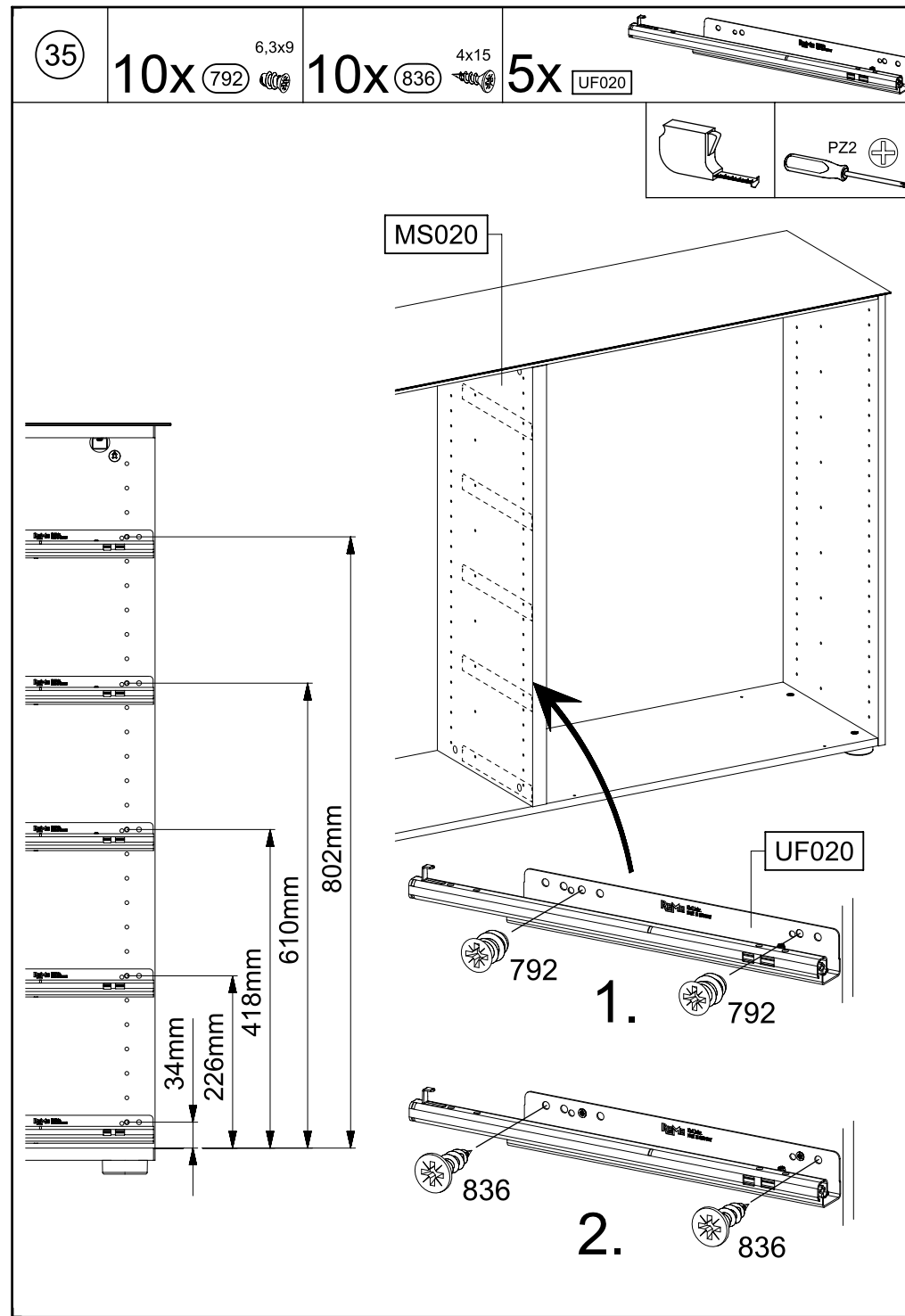
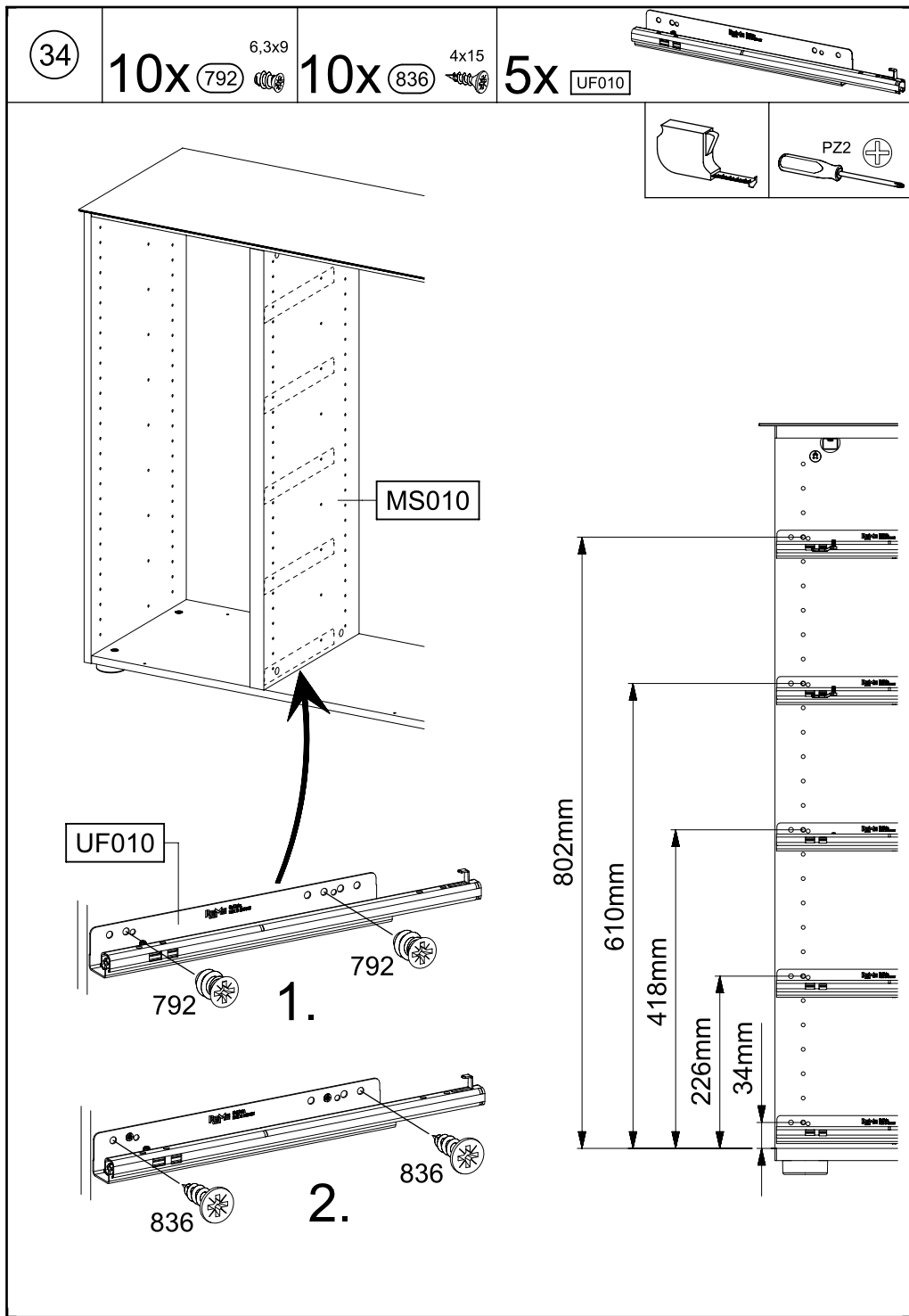


2.

1147

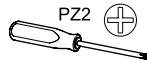
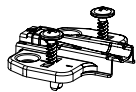
1093



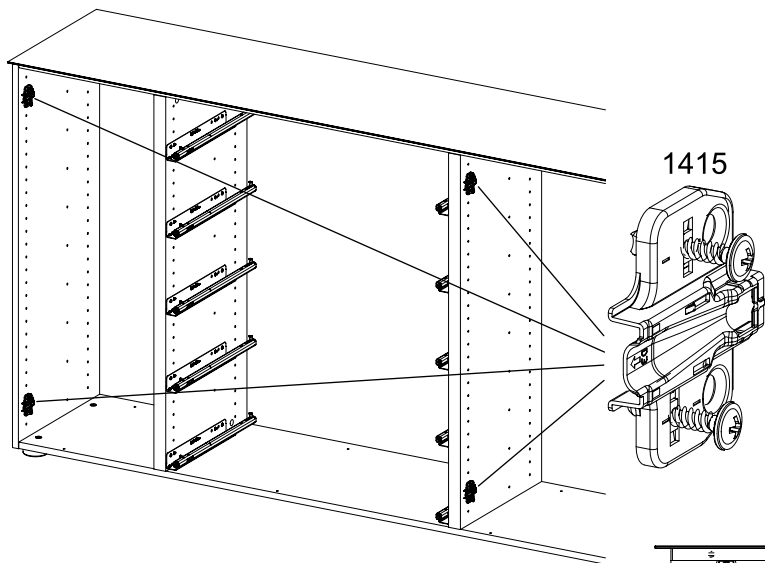


36

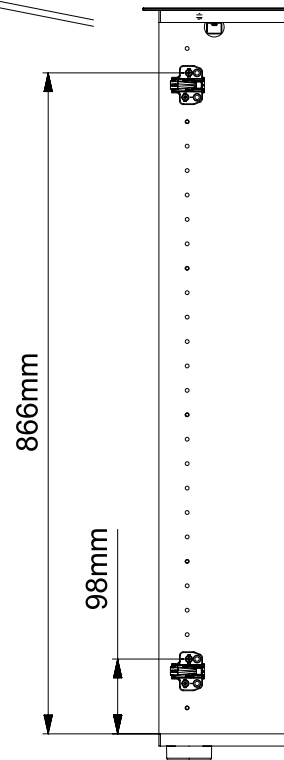
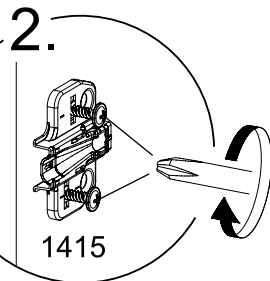
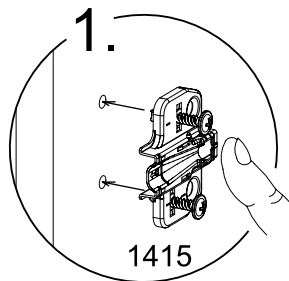
4x 1415



SCAN ME

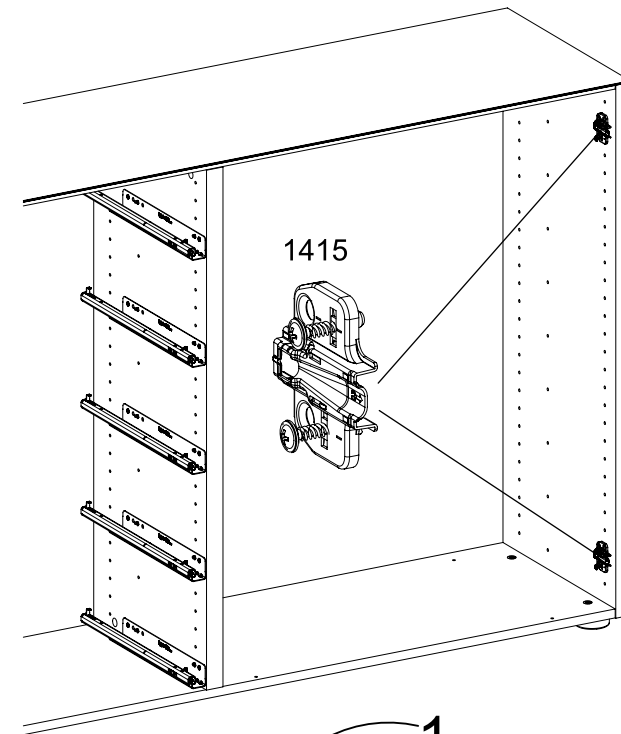
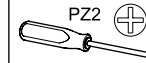
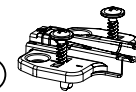


1415

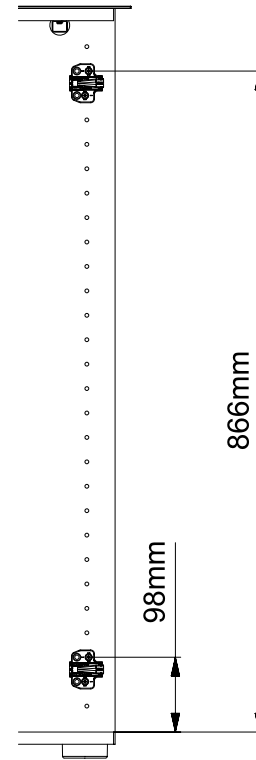
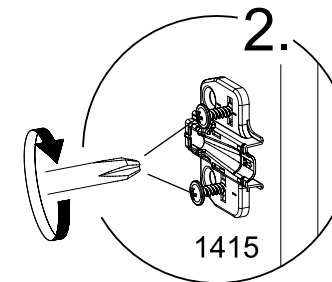
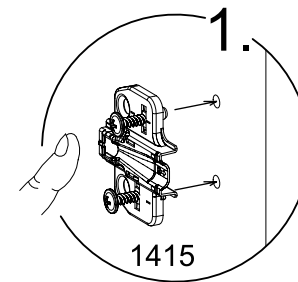


37

2x 1415

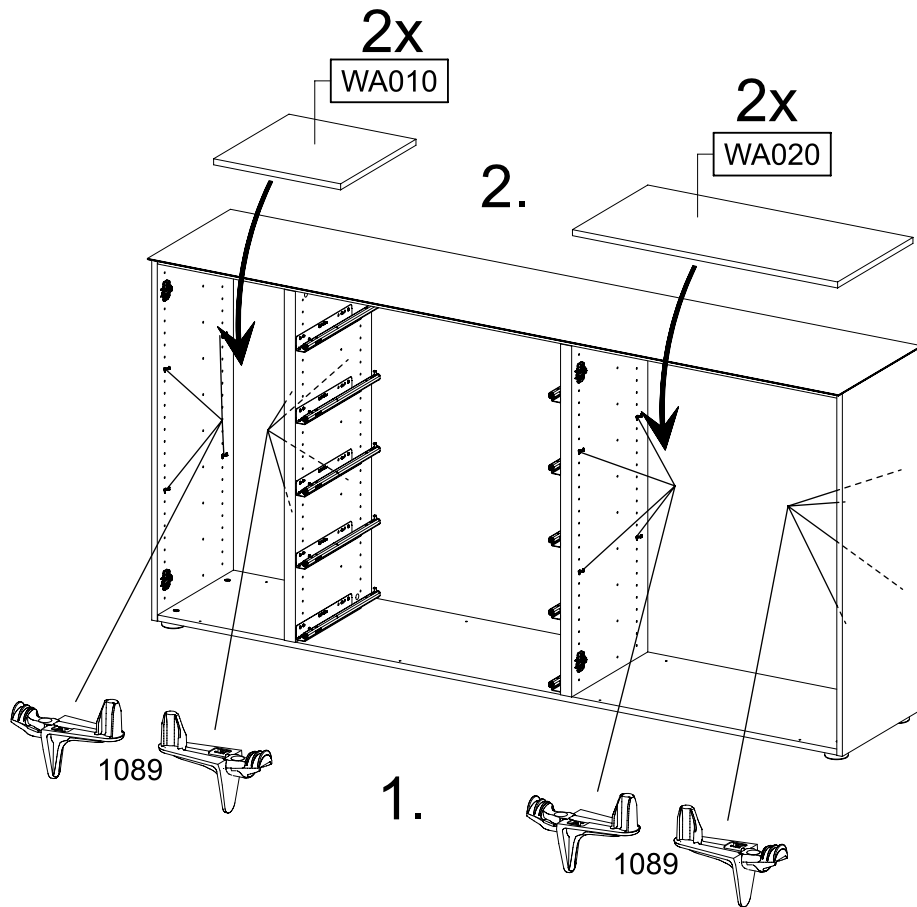
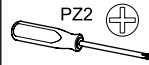


1415

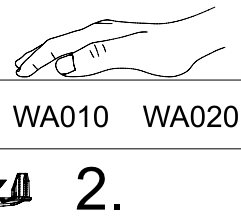
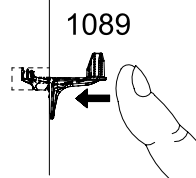


38

16x 1089

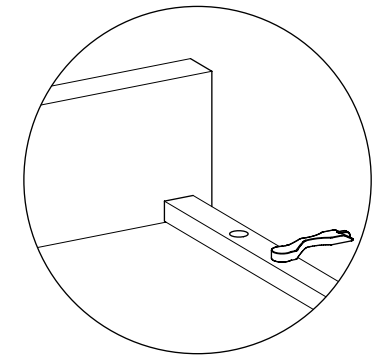
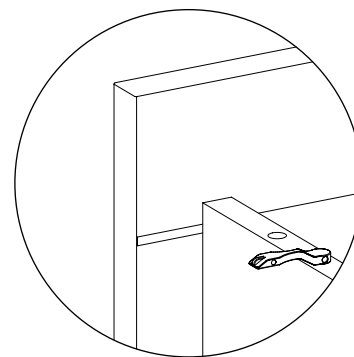
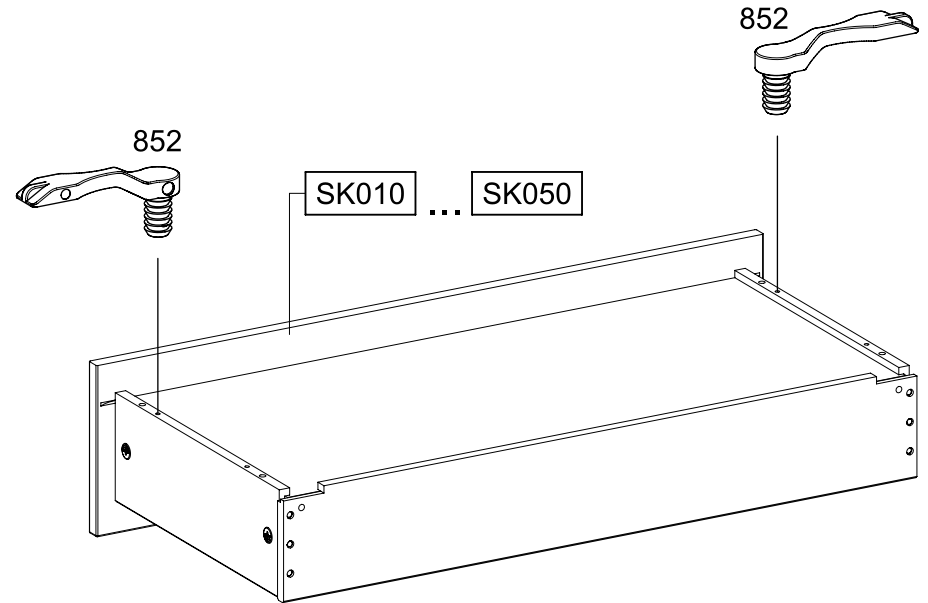
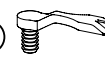


1.

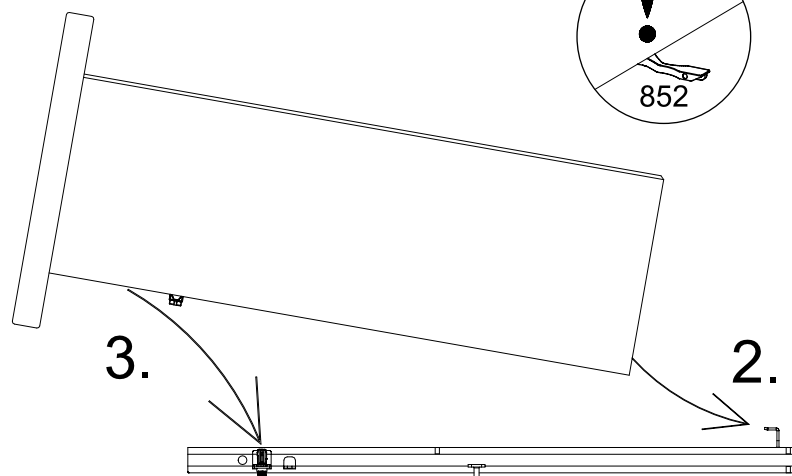
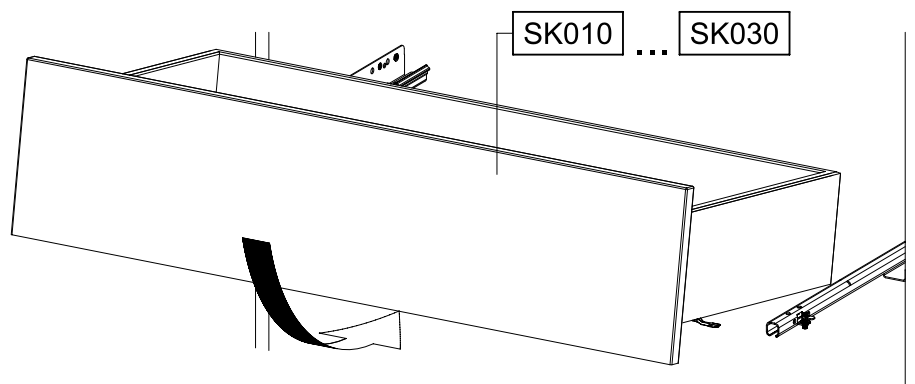
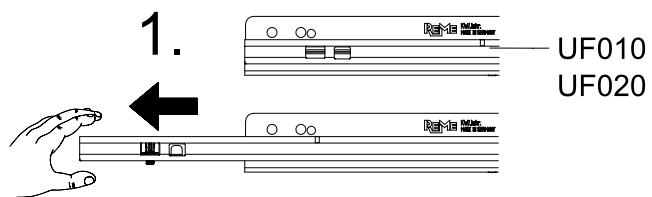


39

10x 852

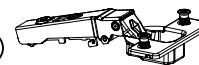


40

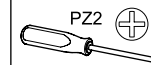


41

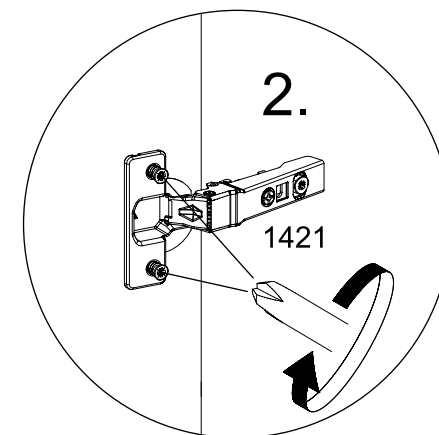
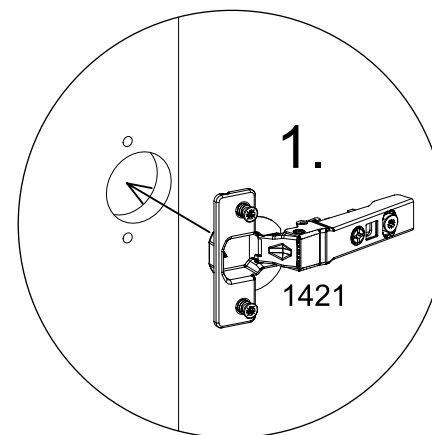
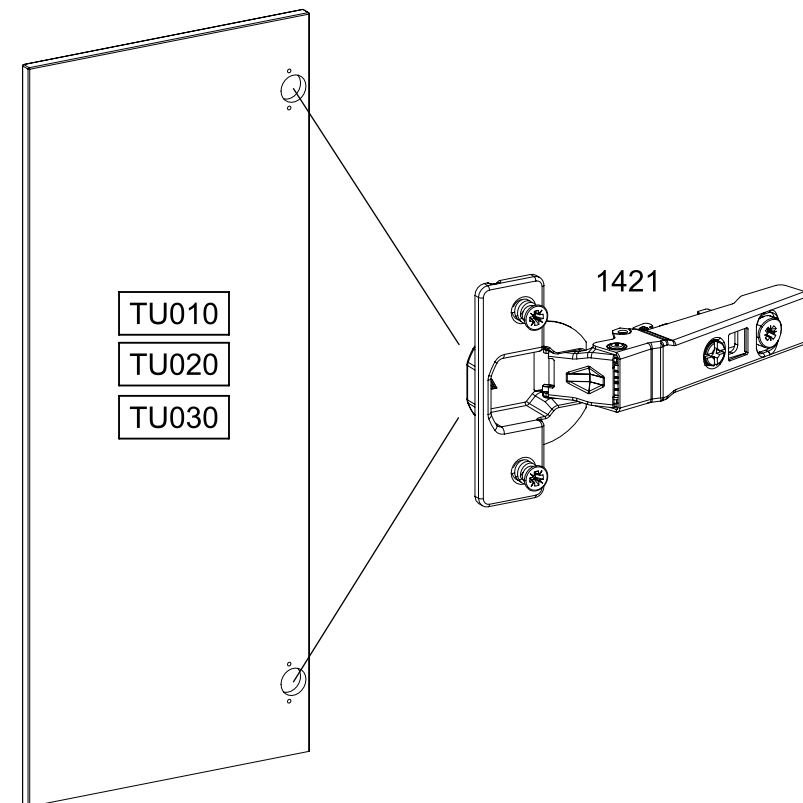
6x



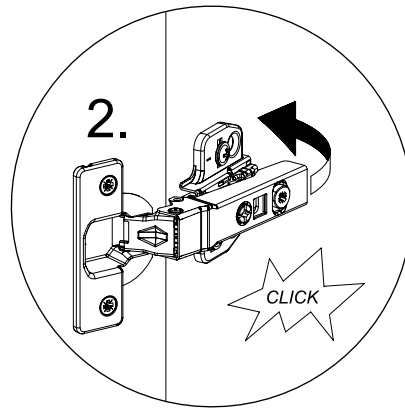
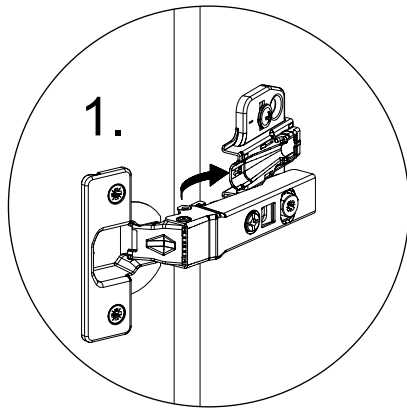
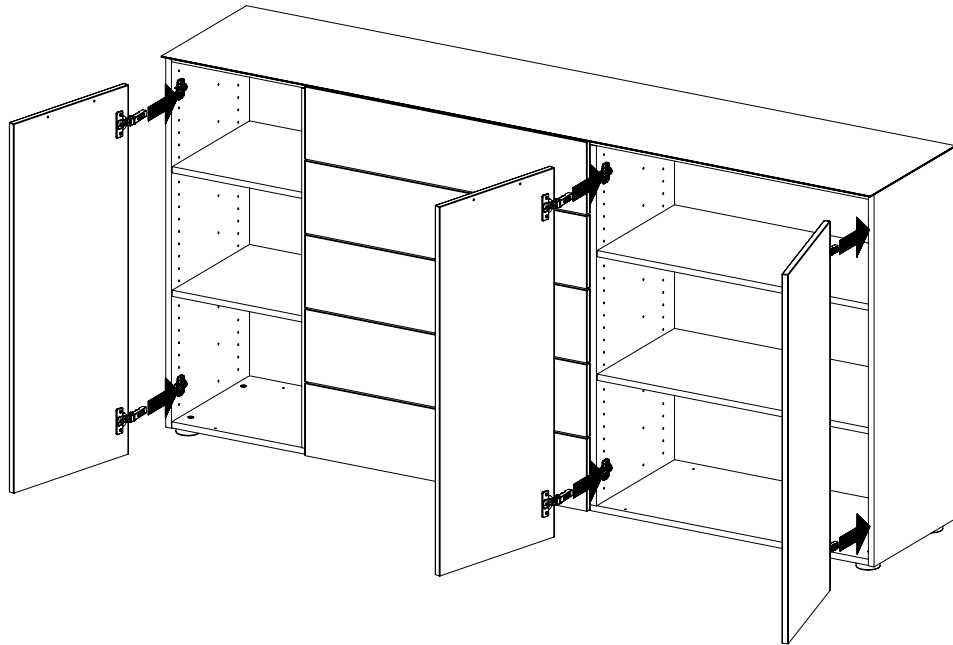
1421



SCAN ME



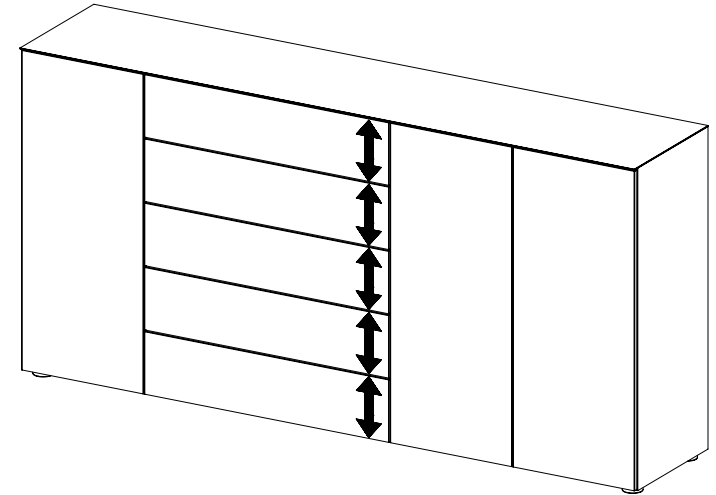
42



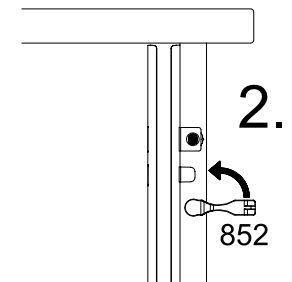
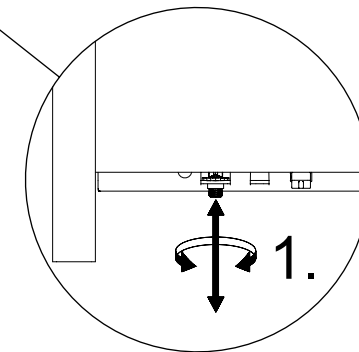
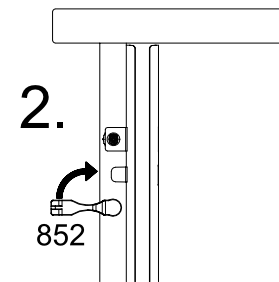
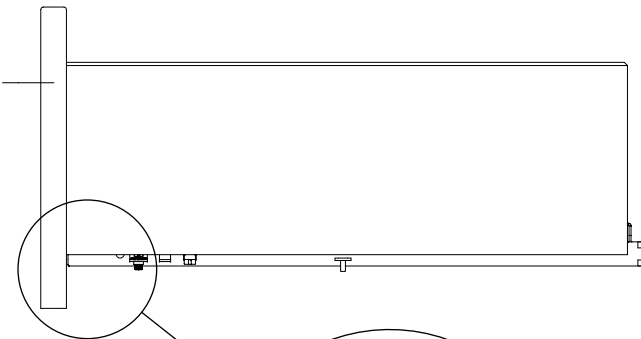
43



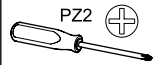
SCAN ME



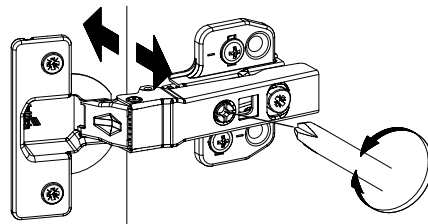
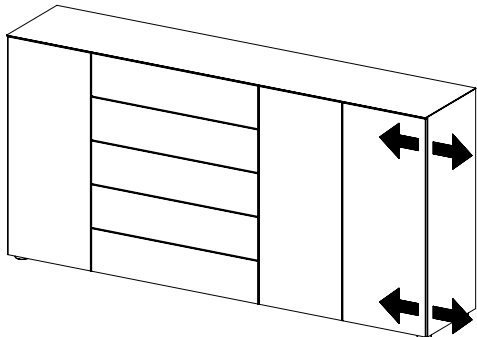
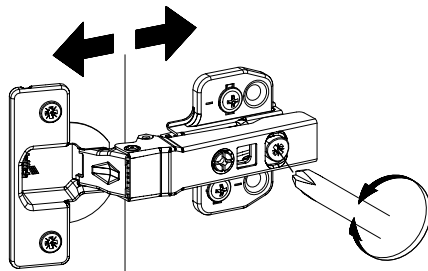
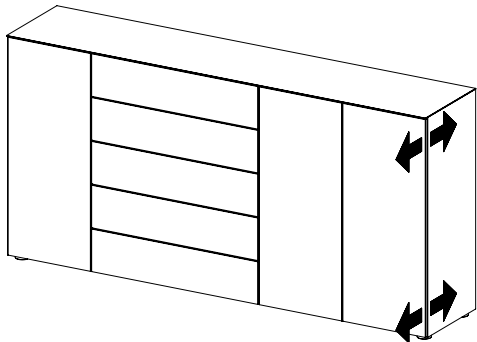
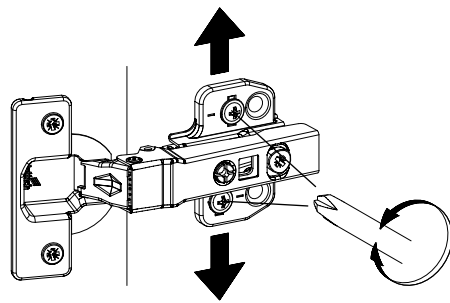
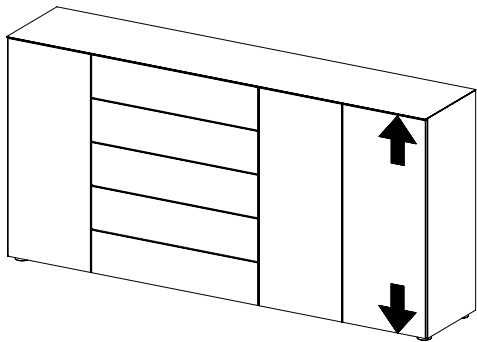
SK010
SK020
SK030
SK040
SK050



44



SCAN ME



45

