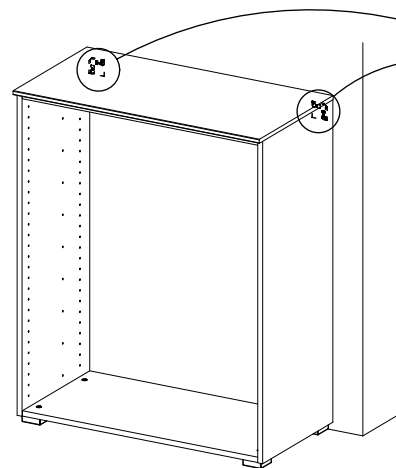
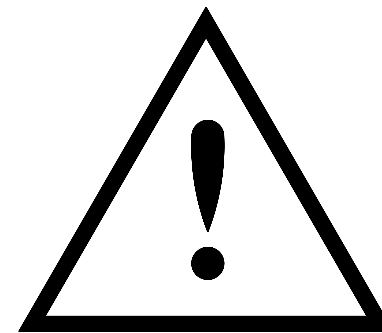
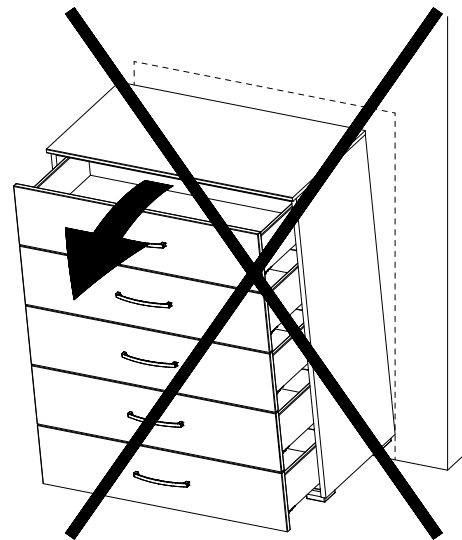
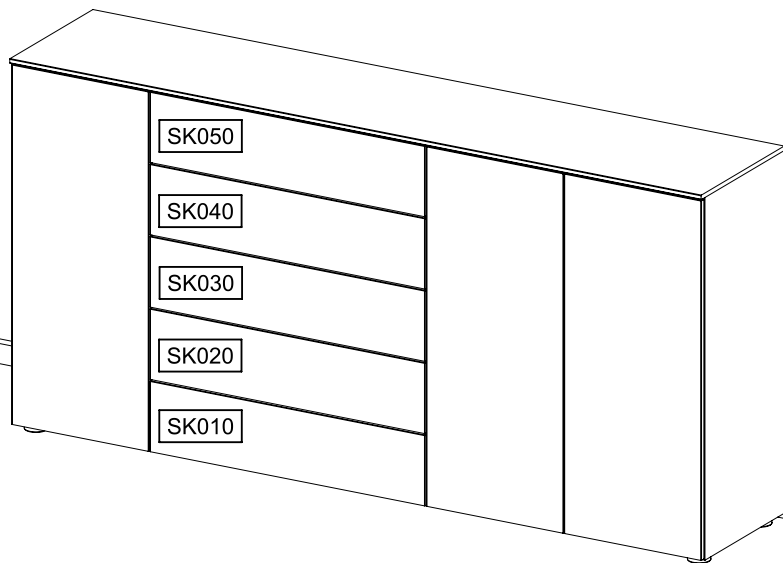
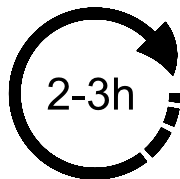
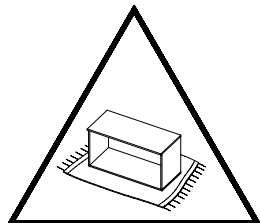
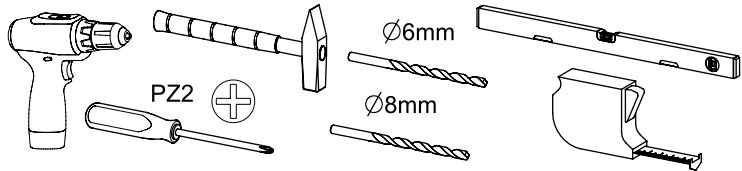


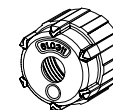
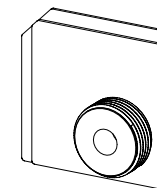
M3175_01



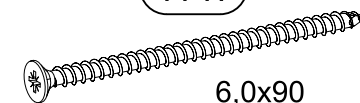
1091

1092

1093



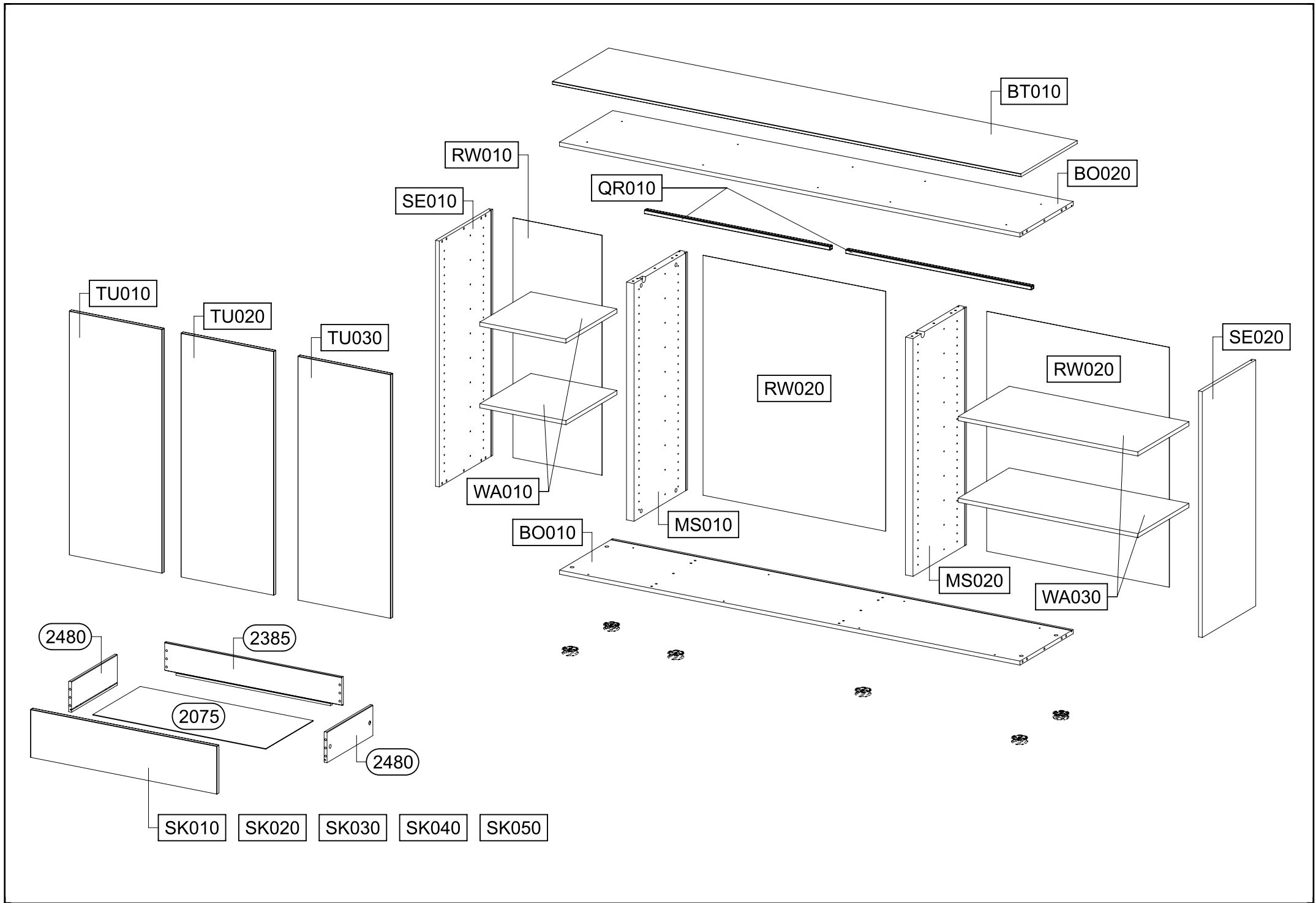
1147

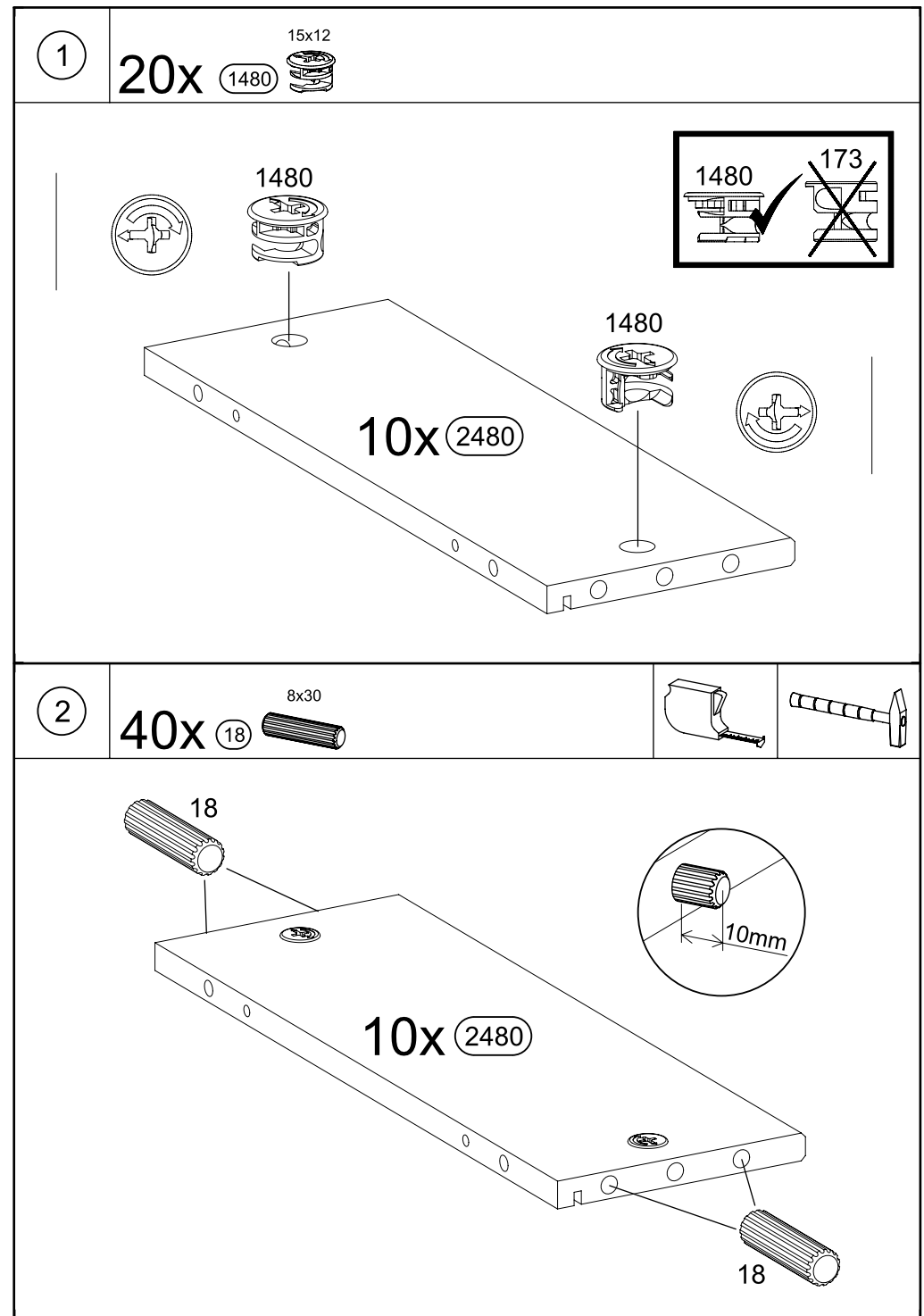
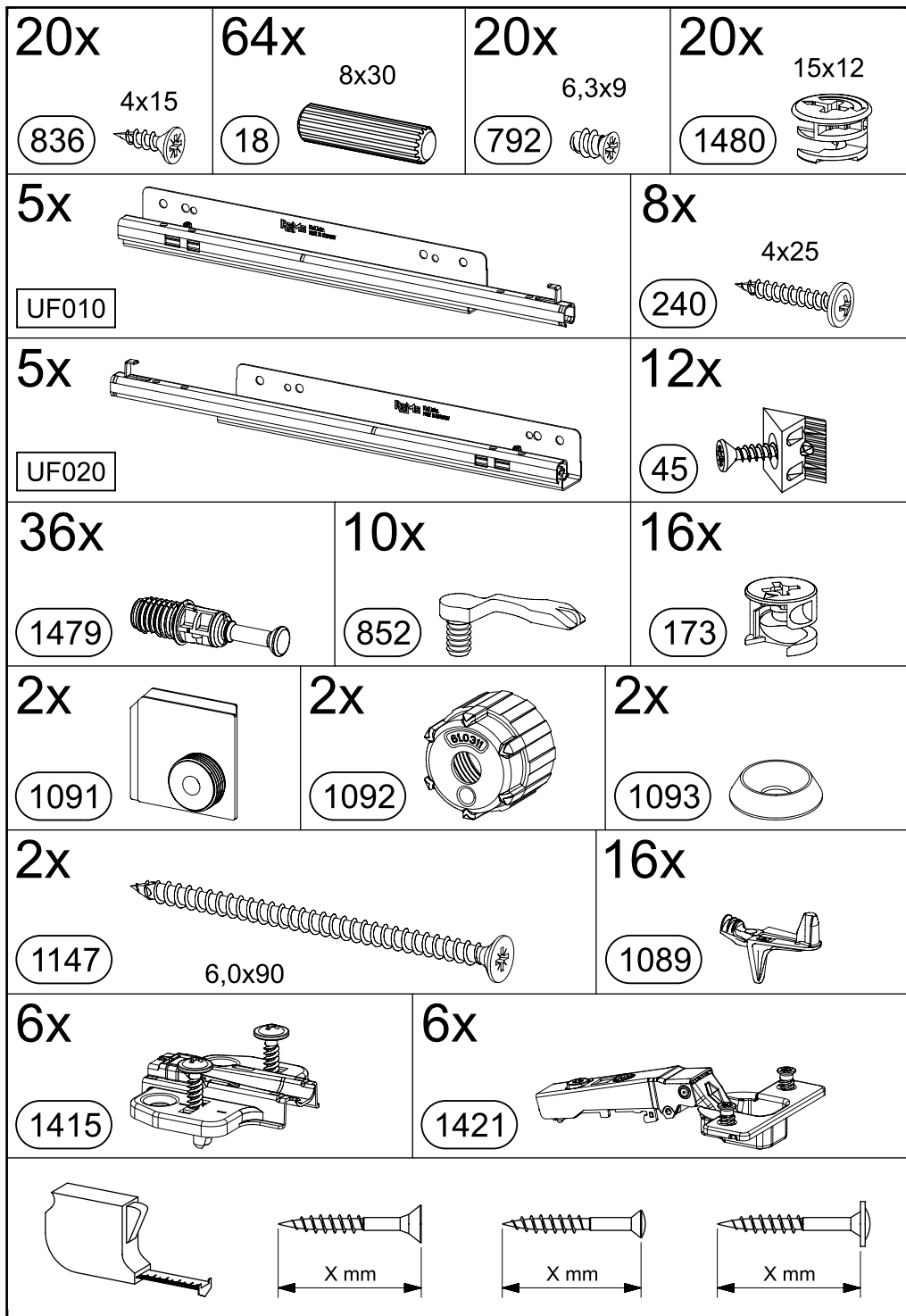


VIDEO



SCAN ME

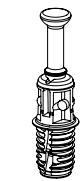
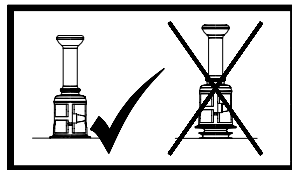




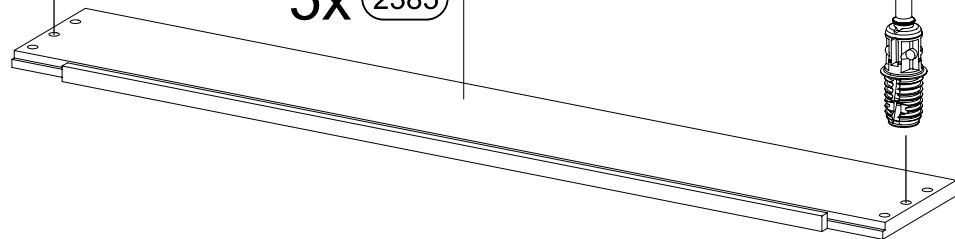
3

10x (1479) 

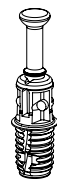
1479



5x (2385)



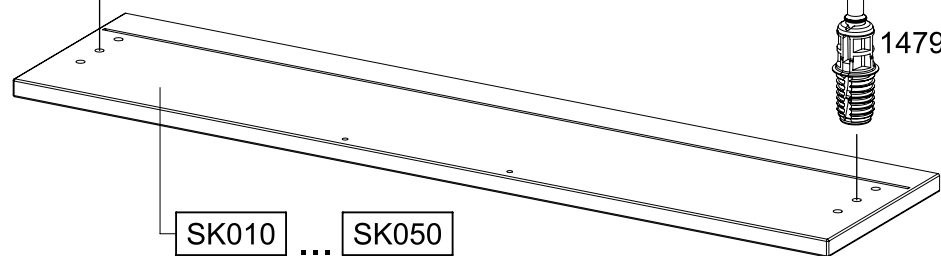
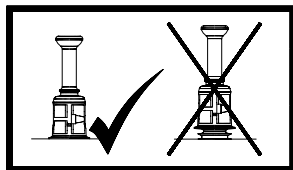
1479



4

10x (1479) 

1479



SK010 ... SK050

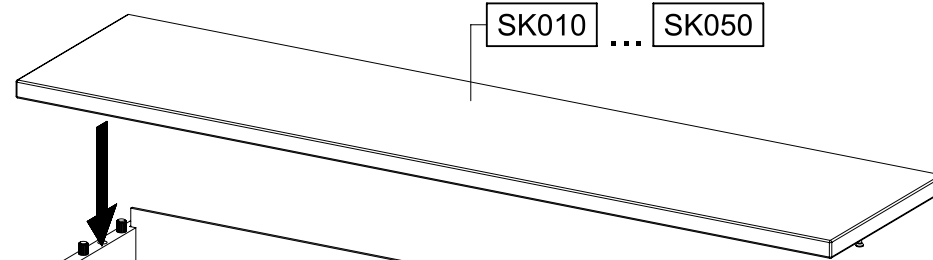
1479



5

5x

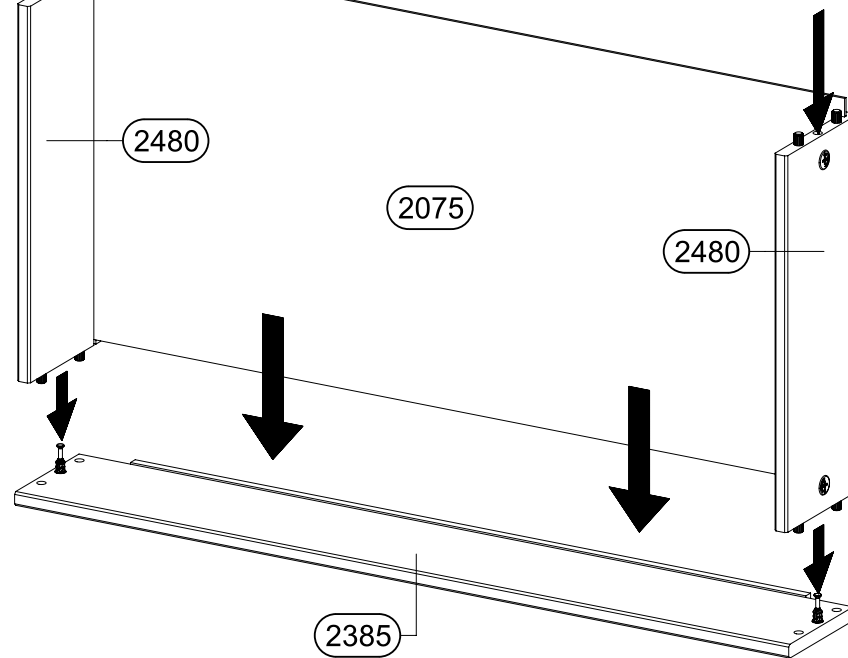
SK010 ... SK050



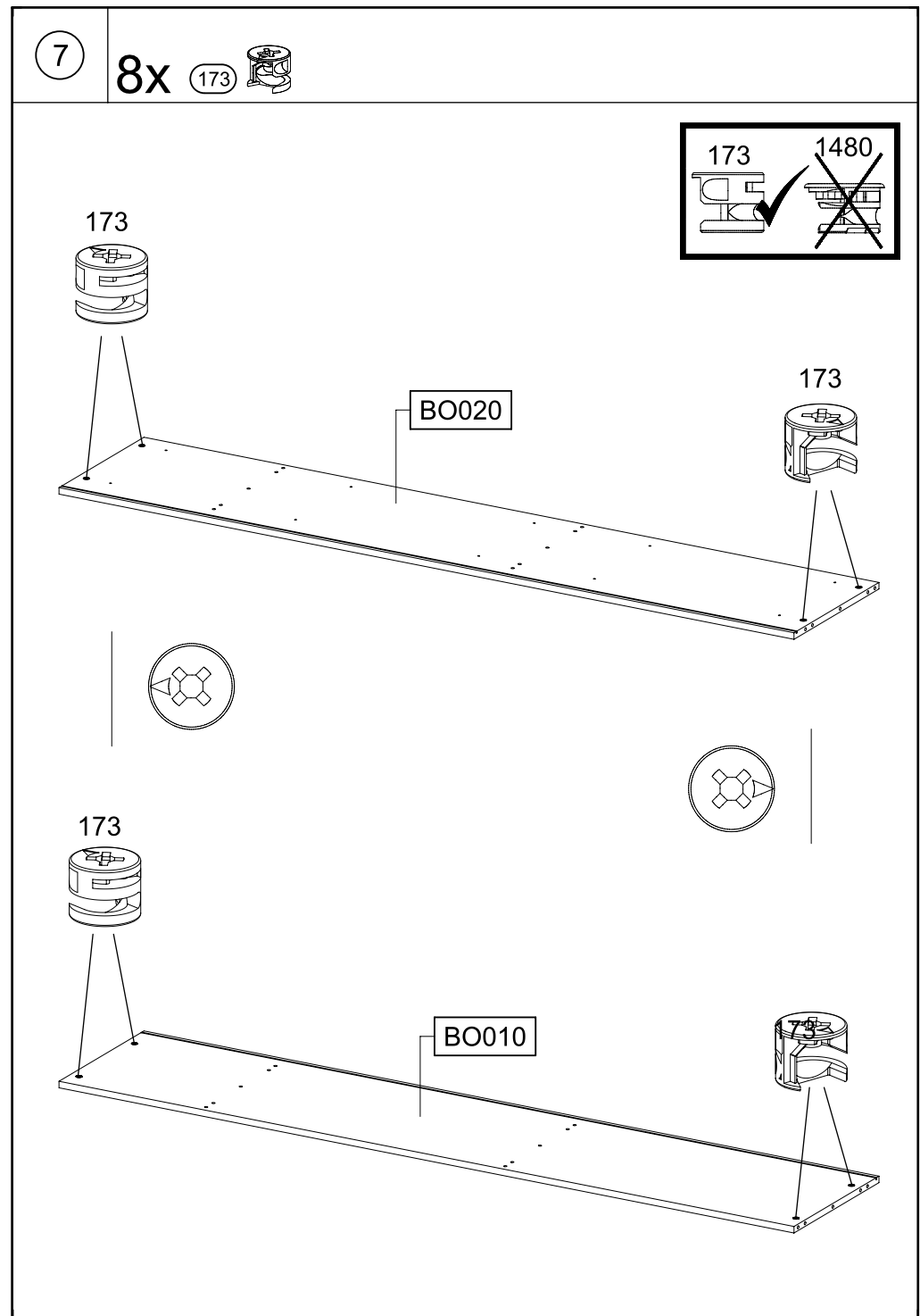
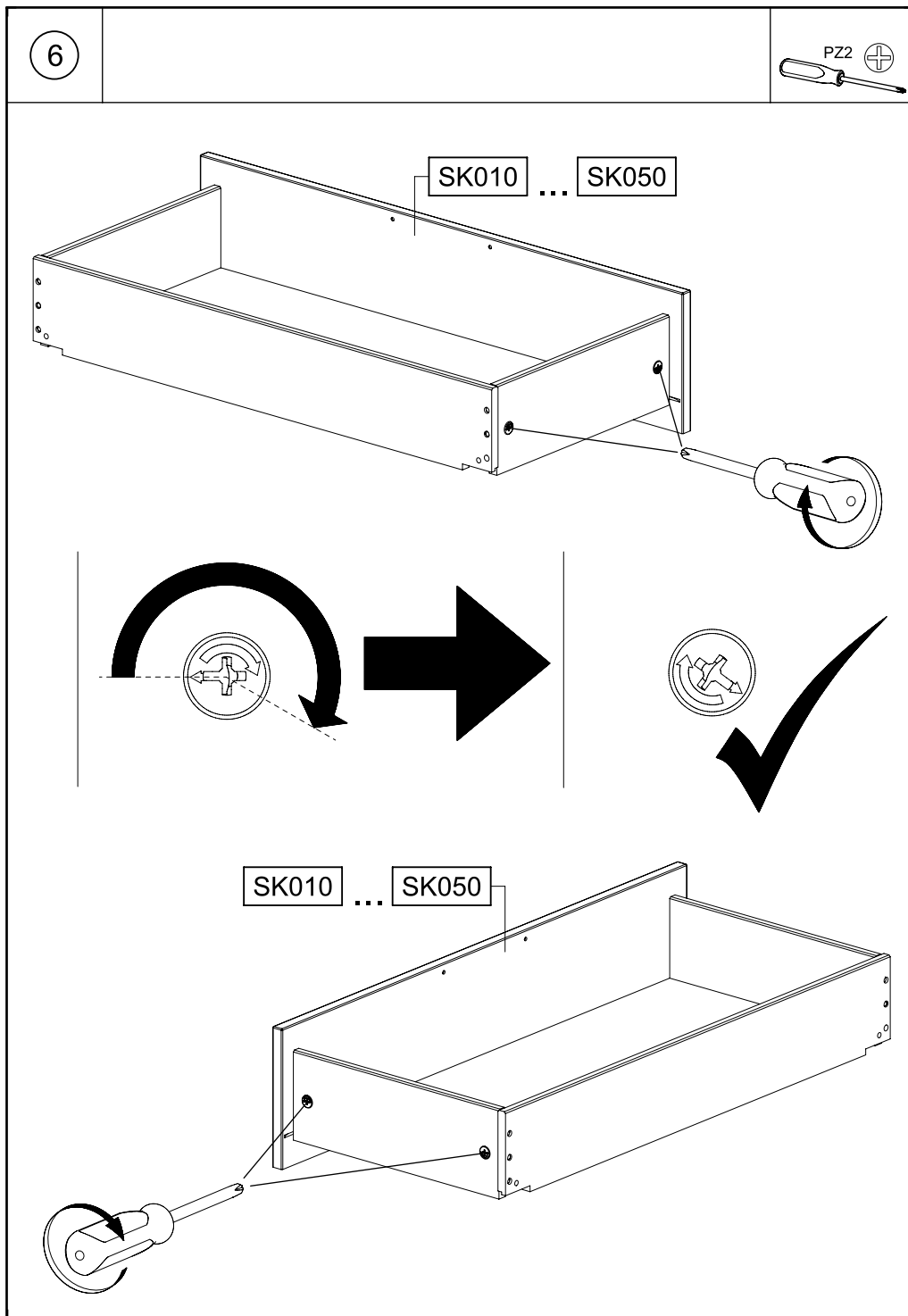
2480

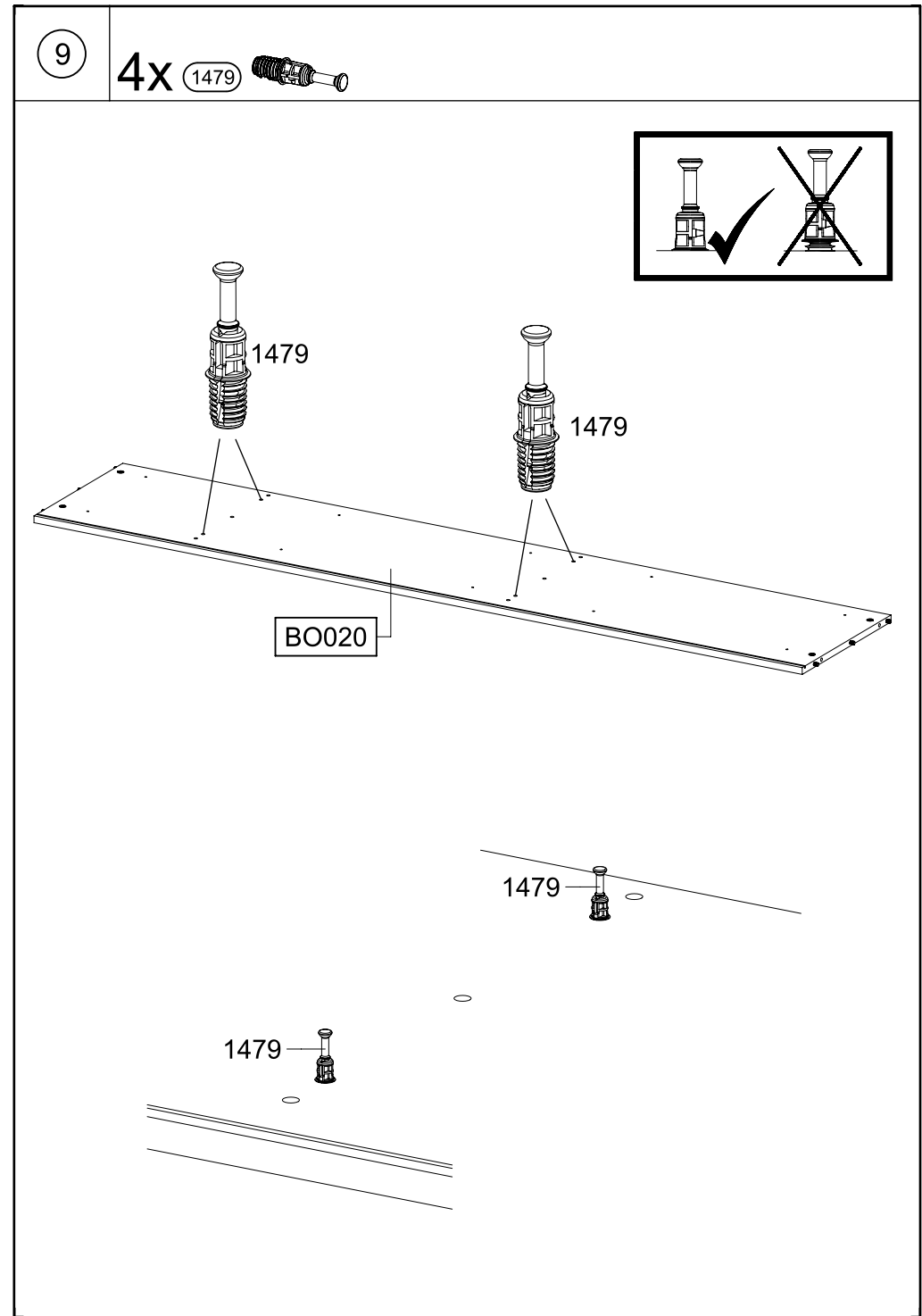
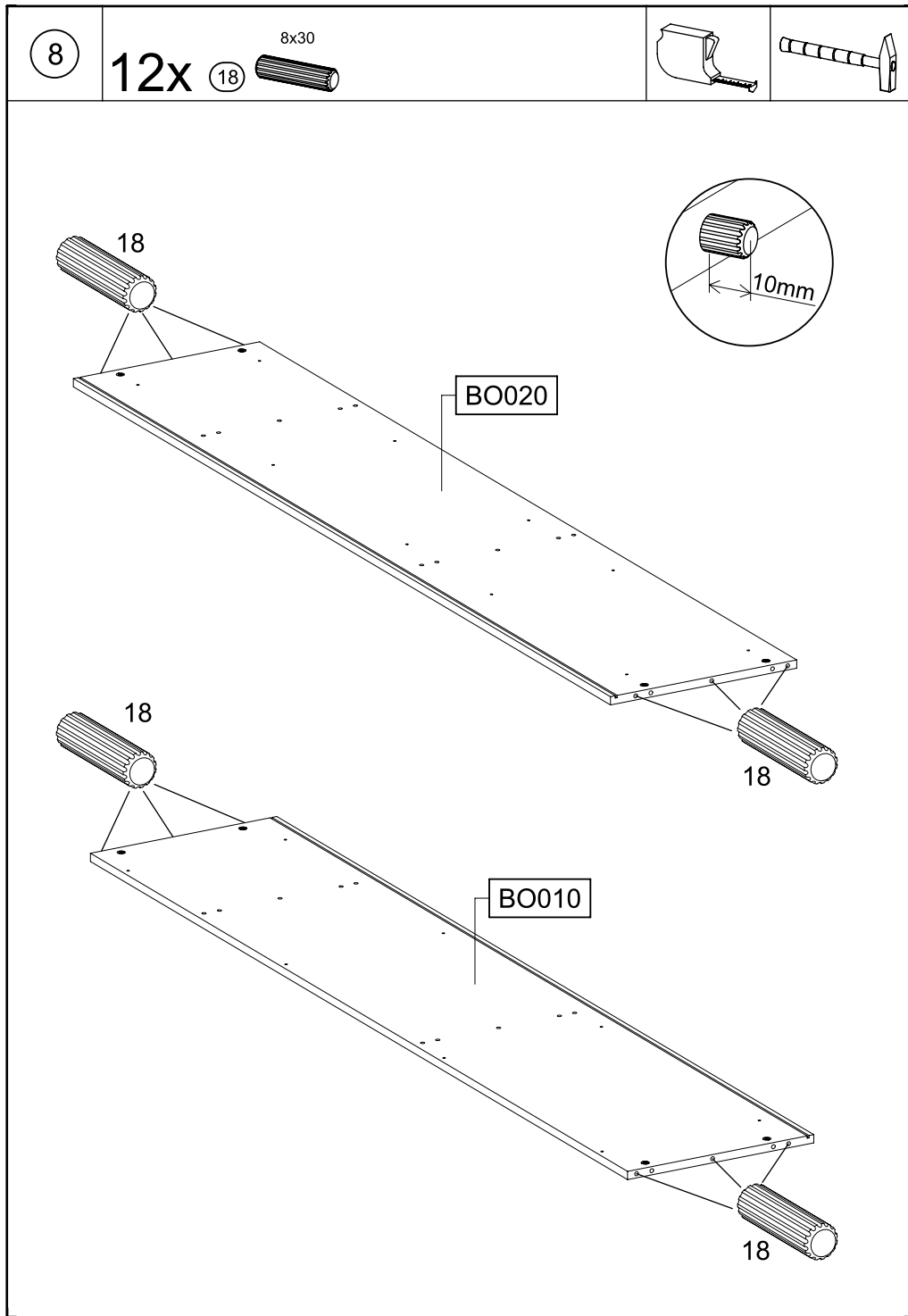
2075

2480

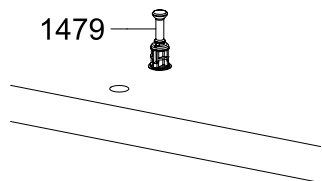
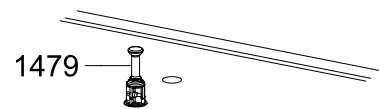
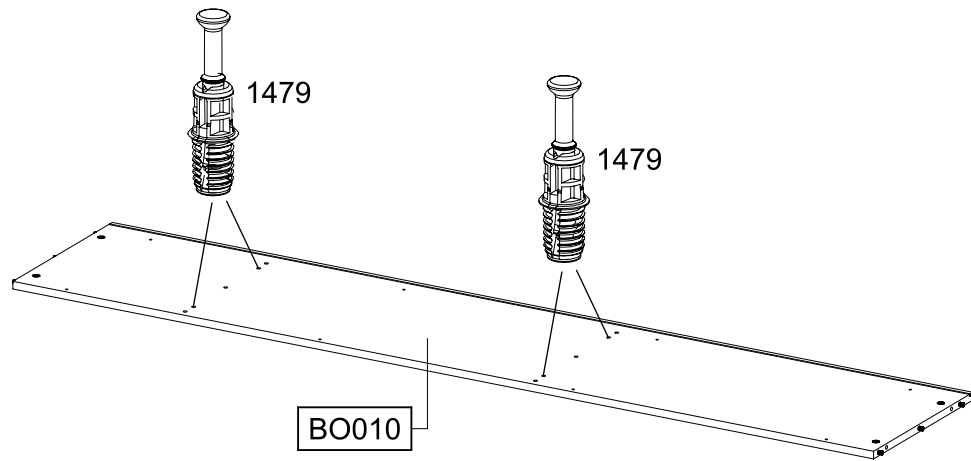
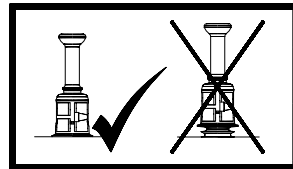



2385

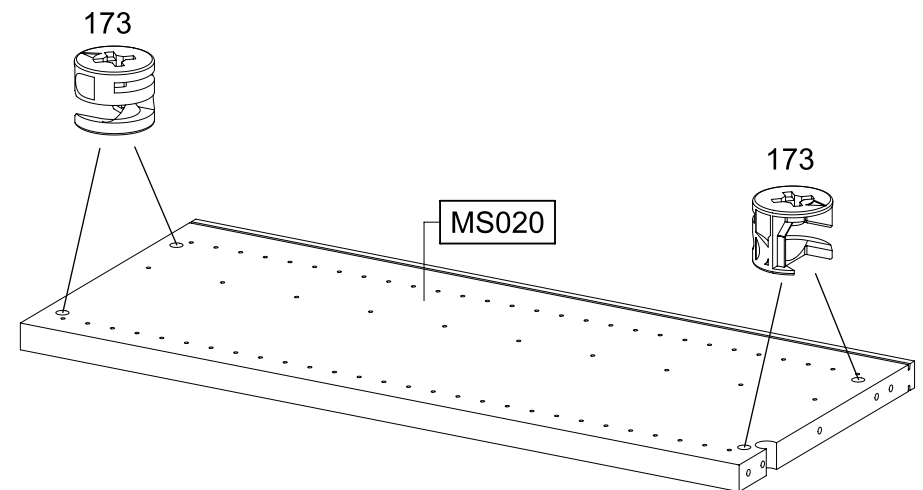
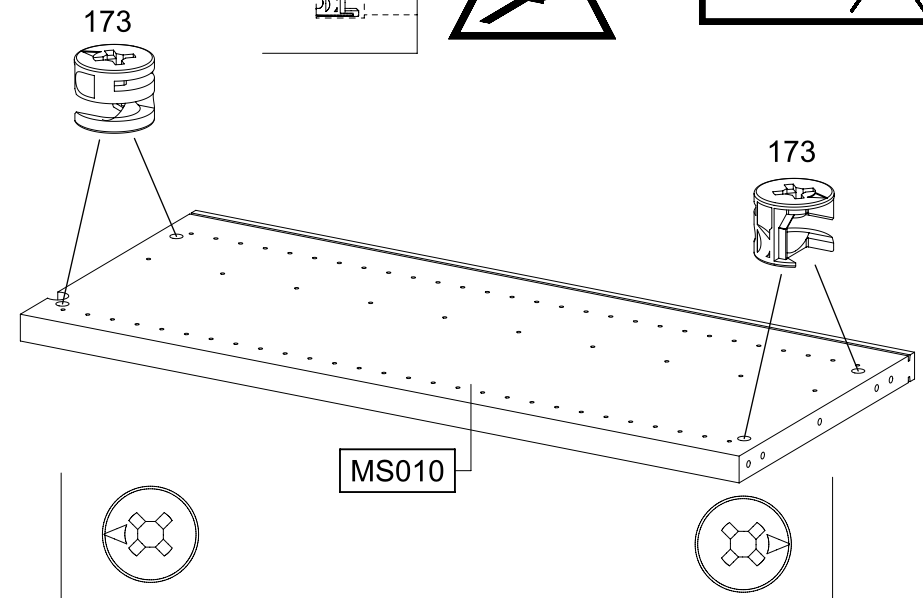
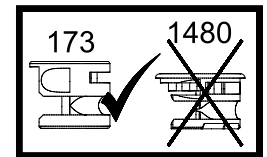
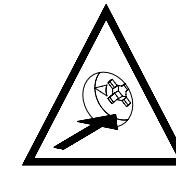
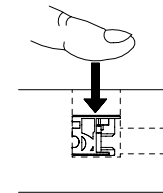





10

4x 1479 

11

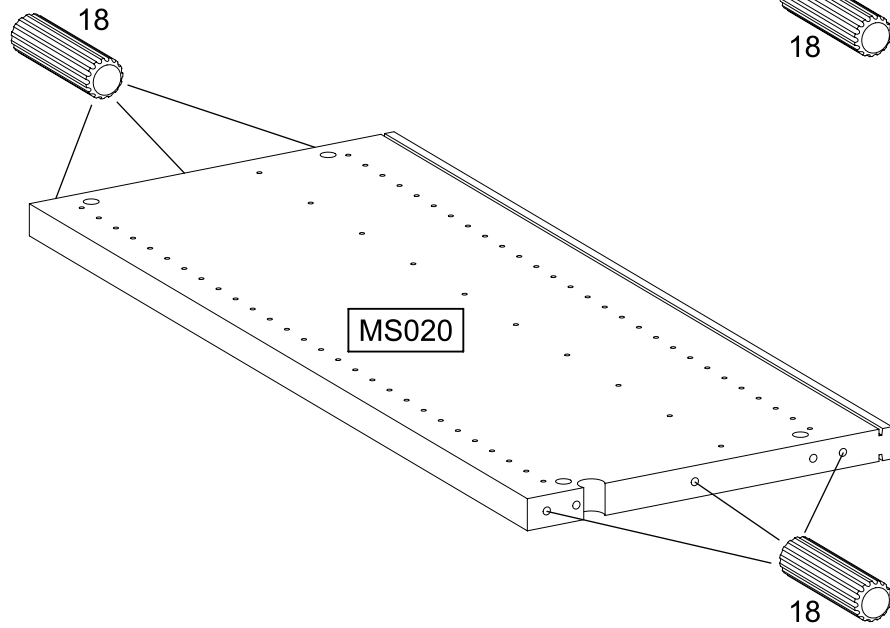
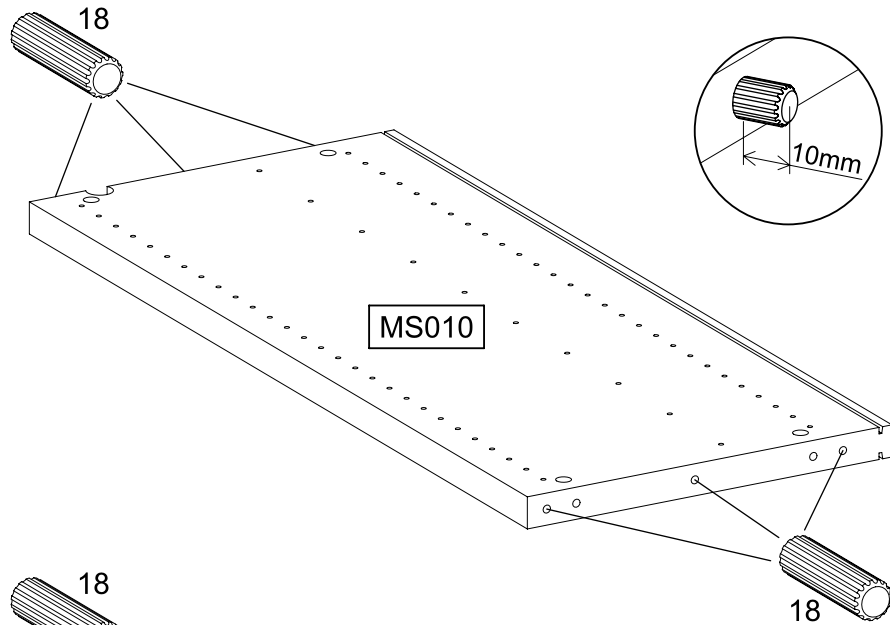
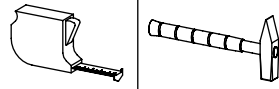
8x 173 

12

12x

18

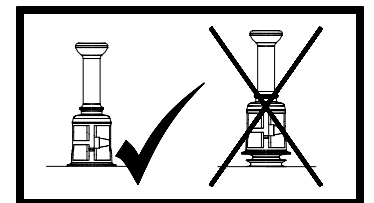
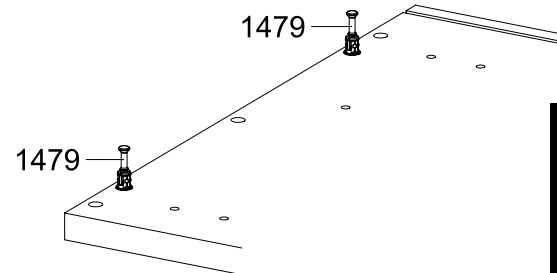
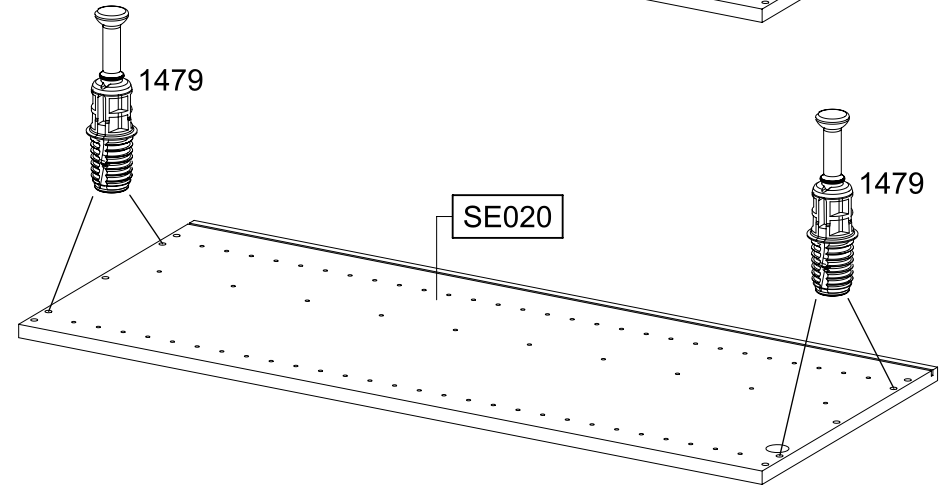
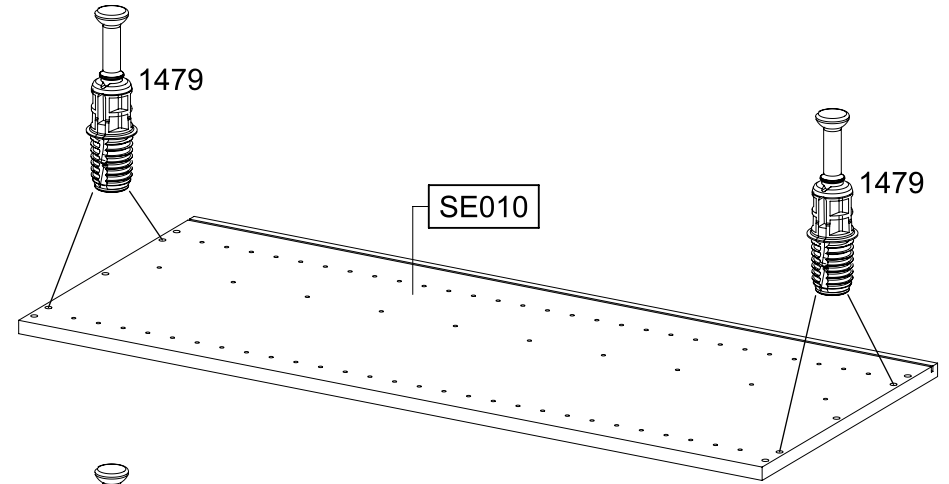
8x30



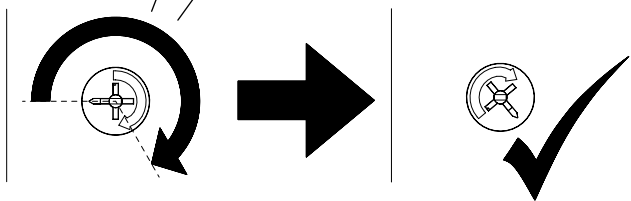
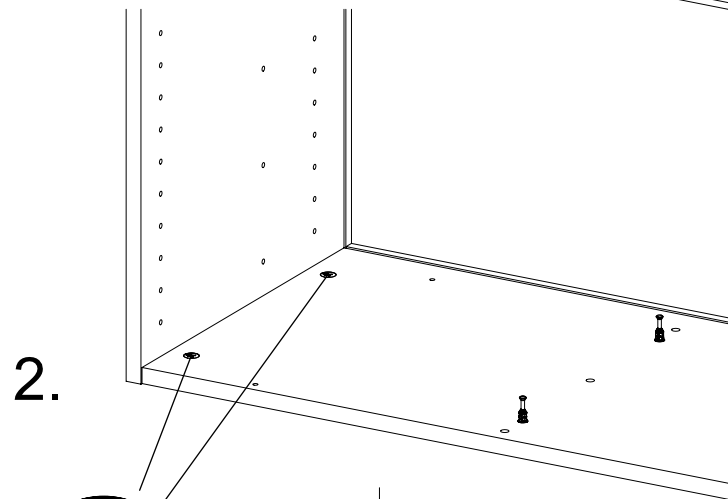
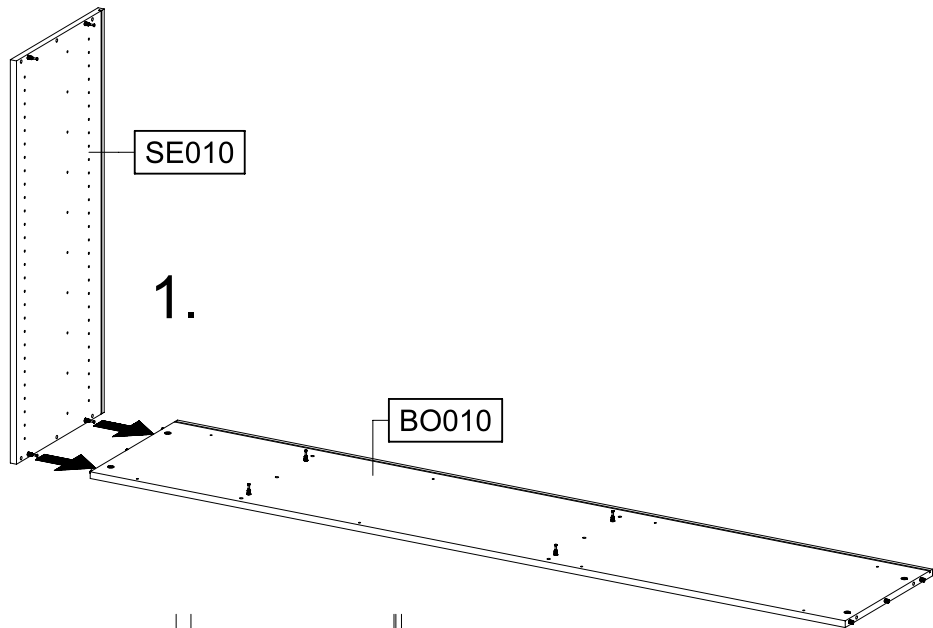
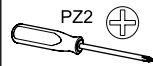
13

8x

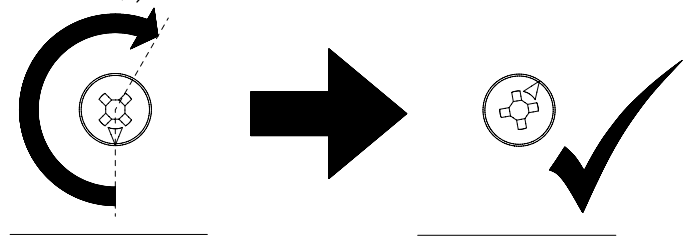
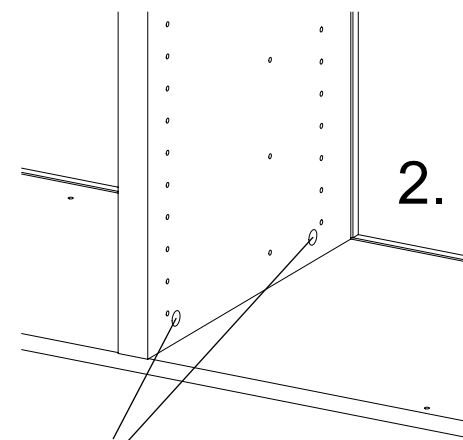
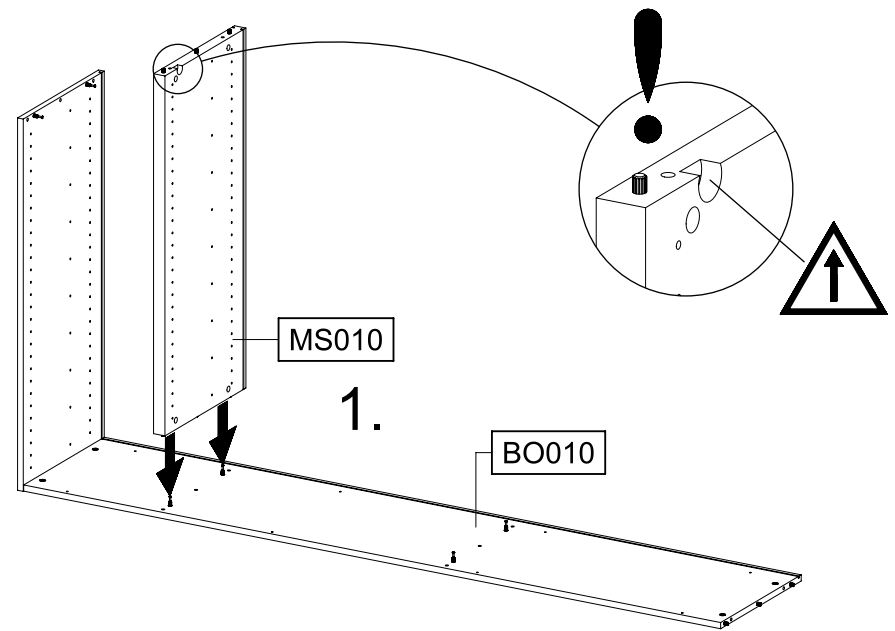
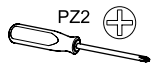
1479

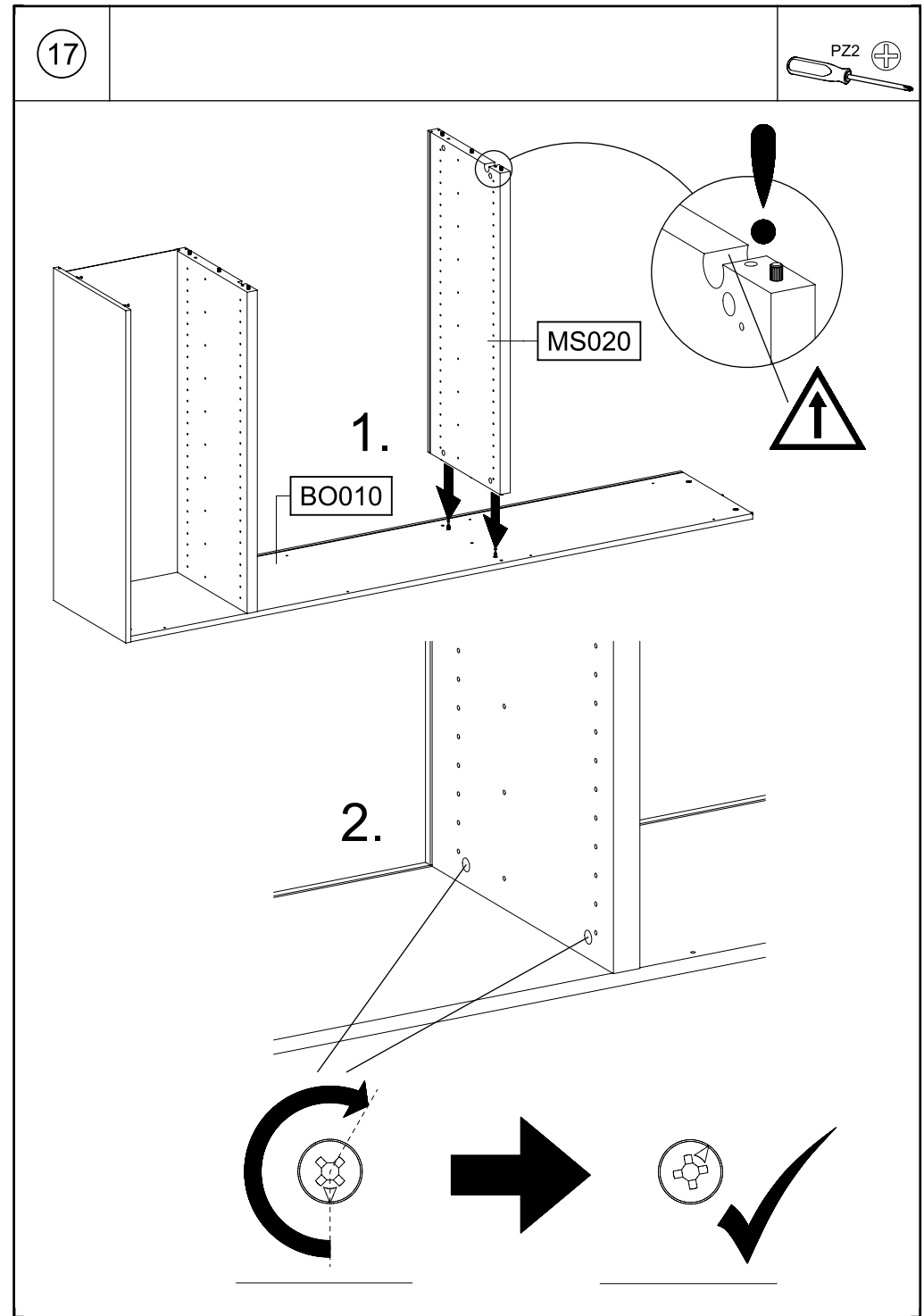
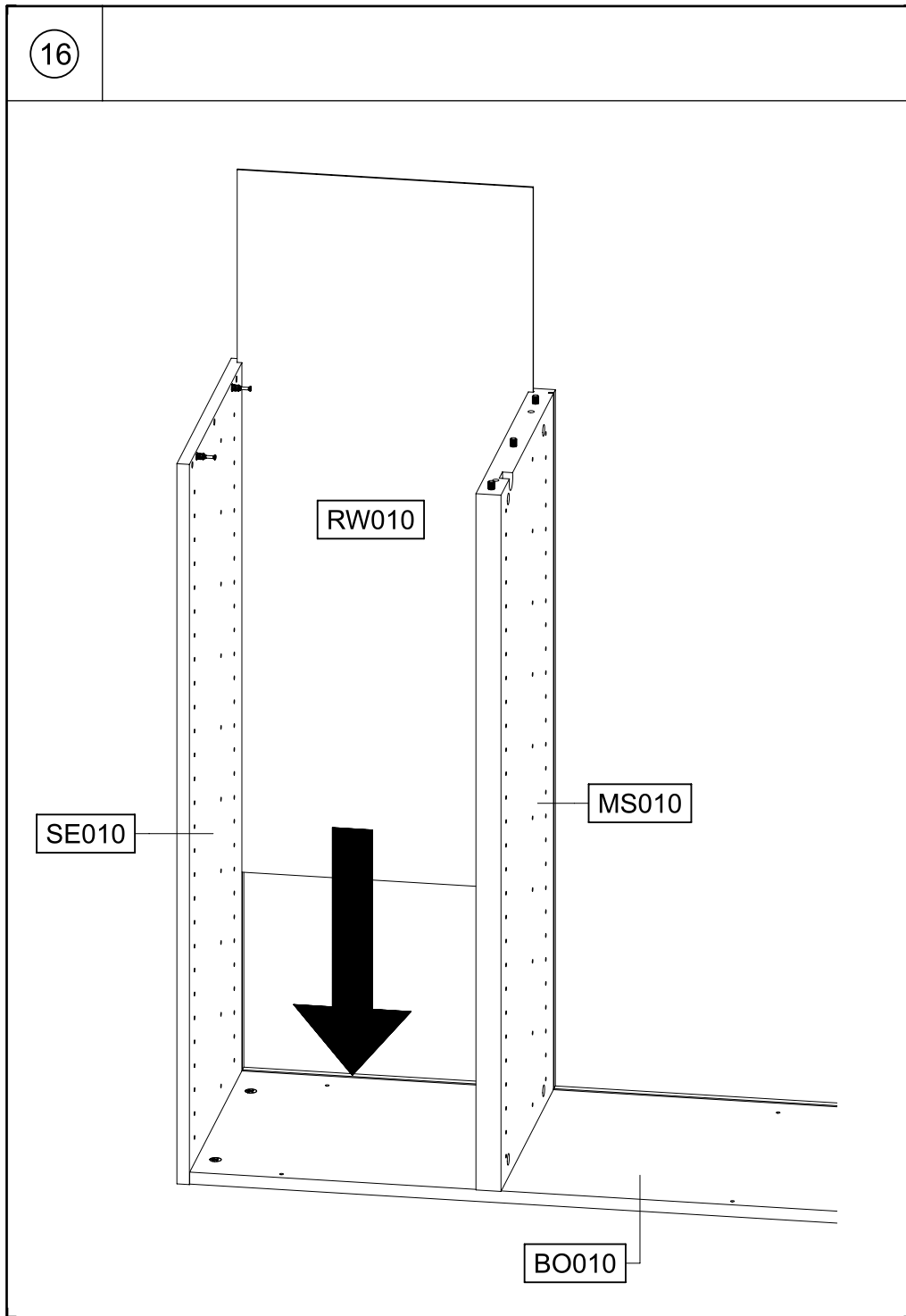


14

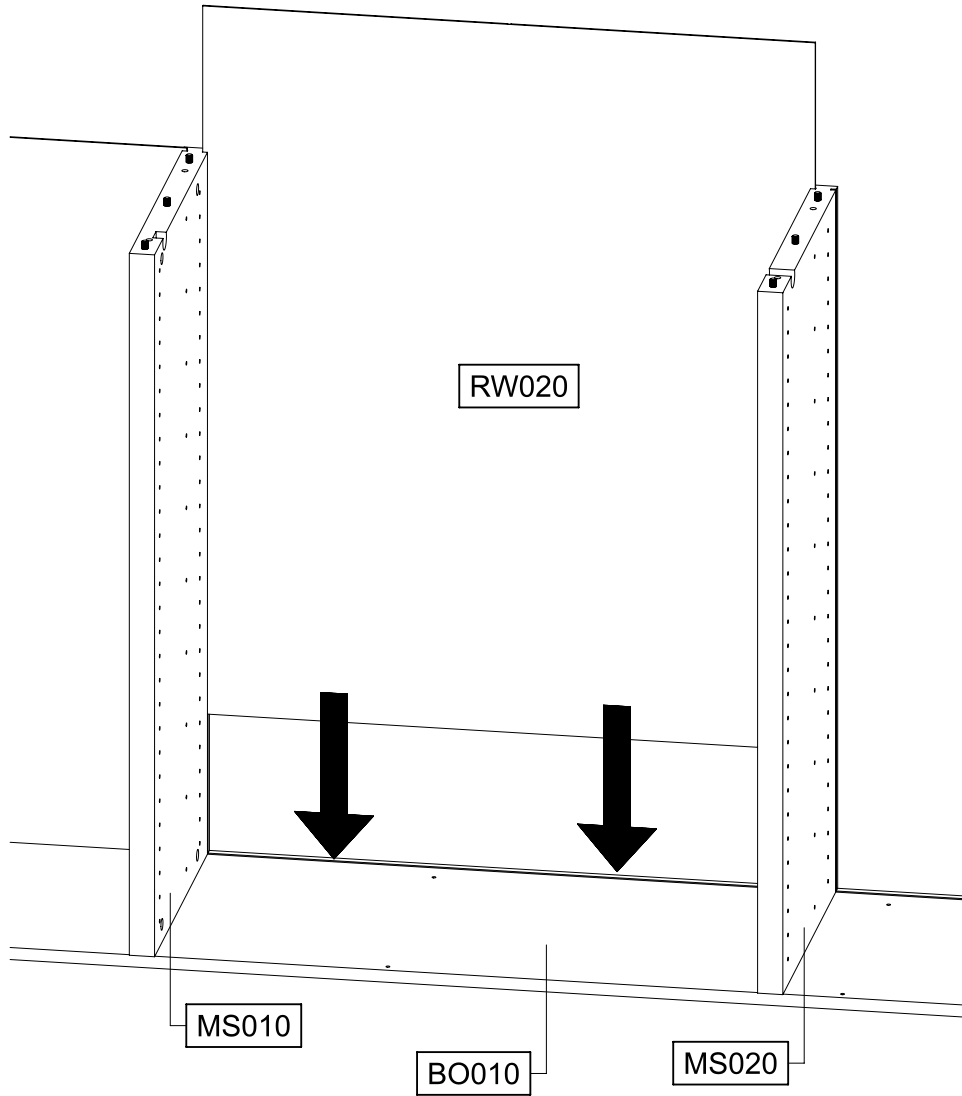


15

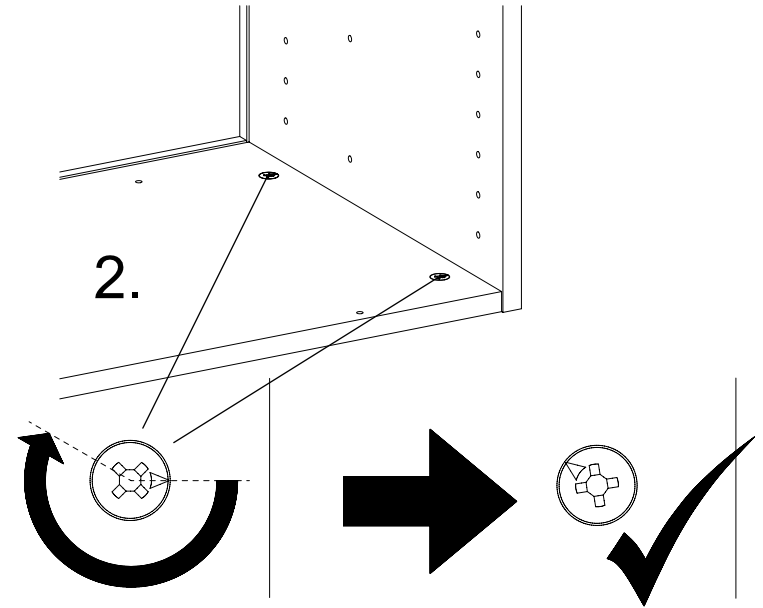
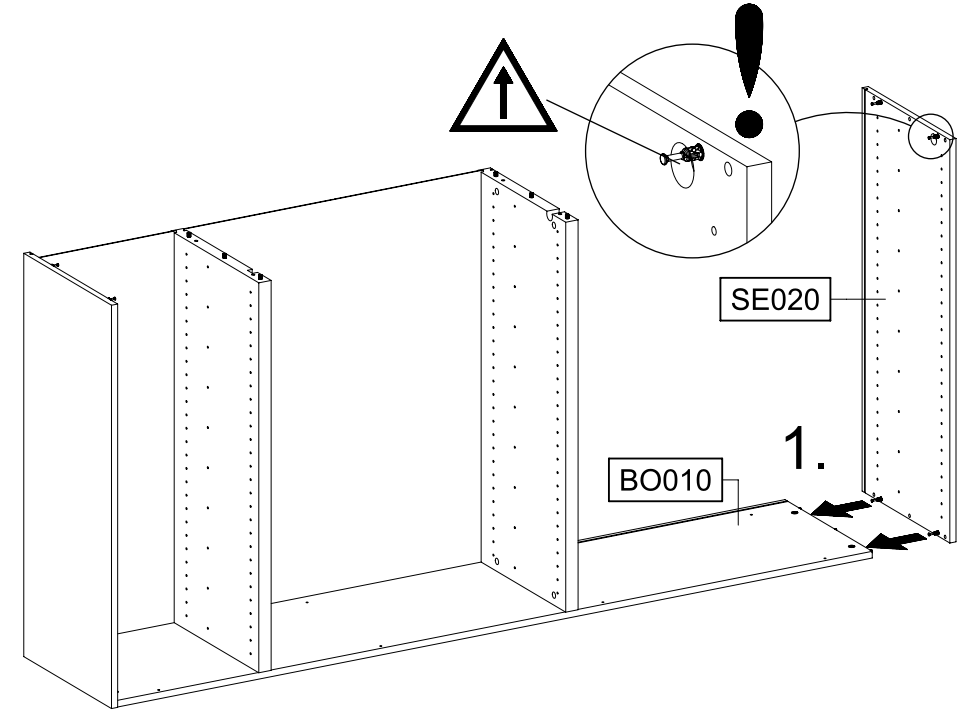
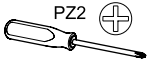




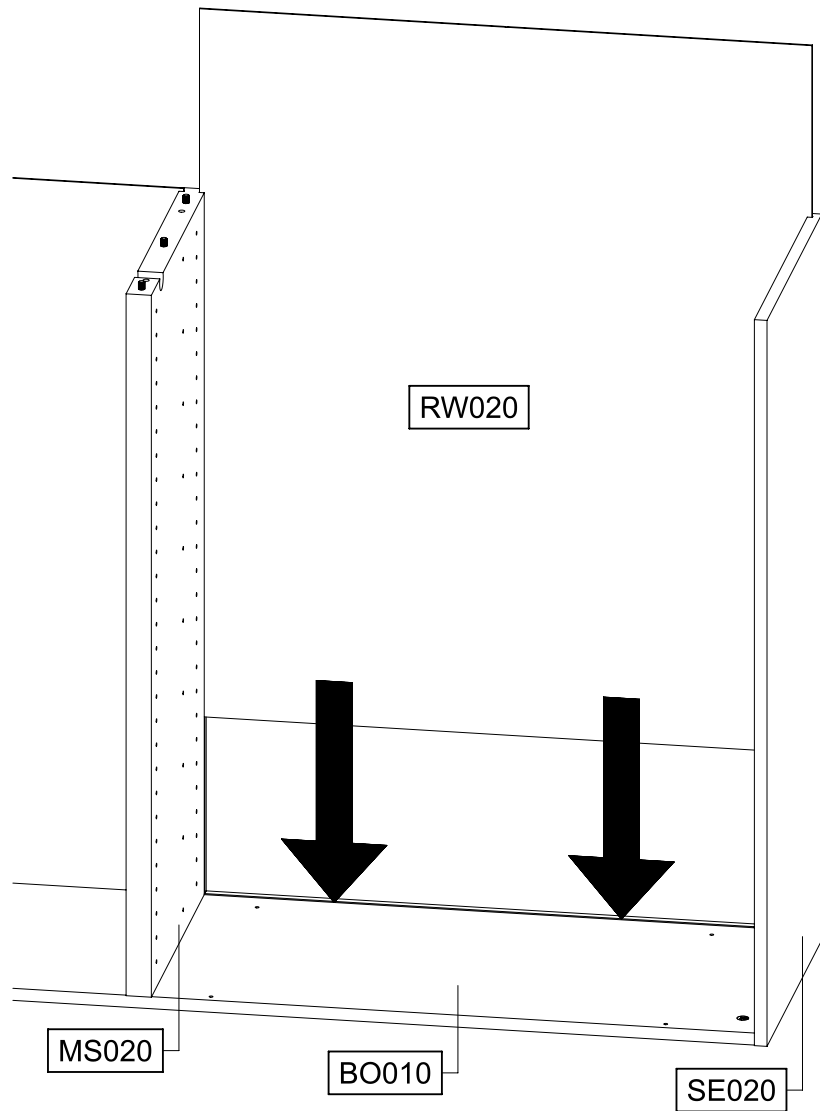
18



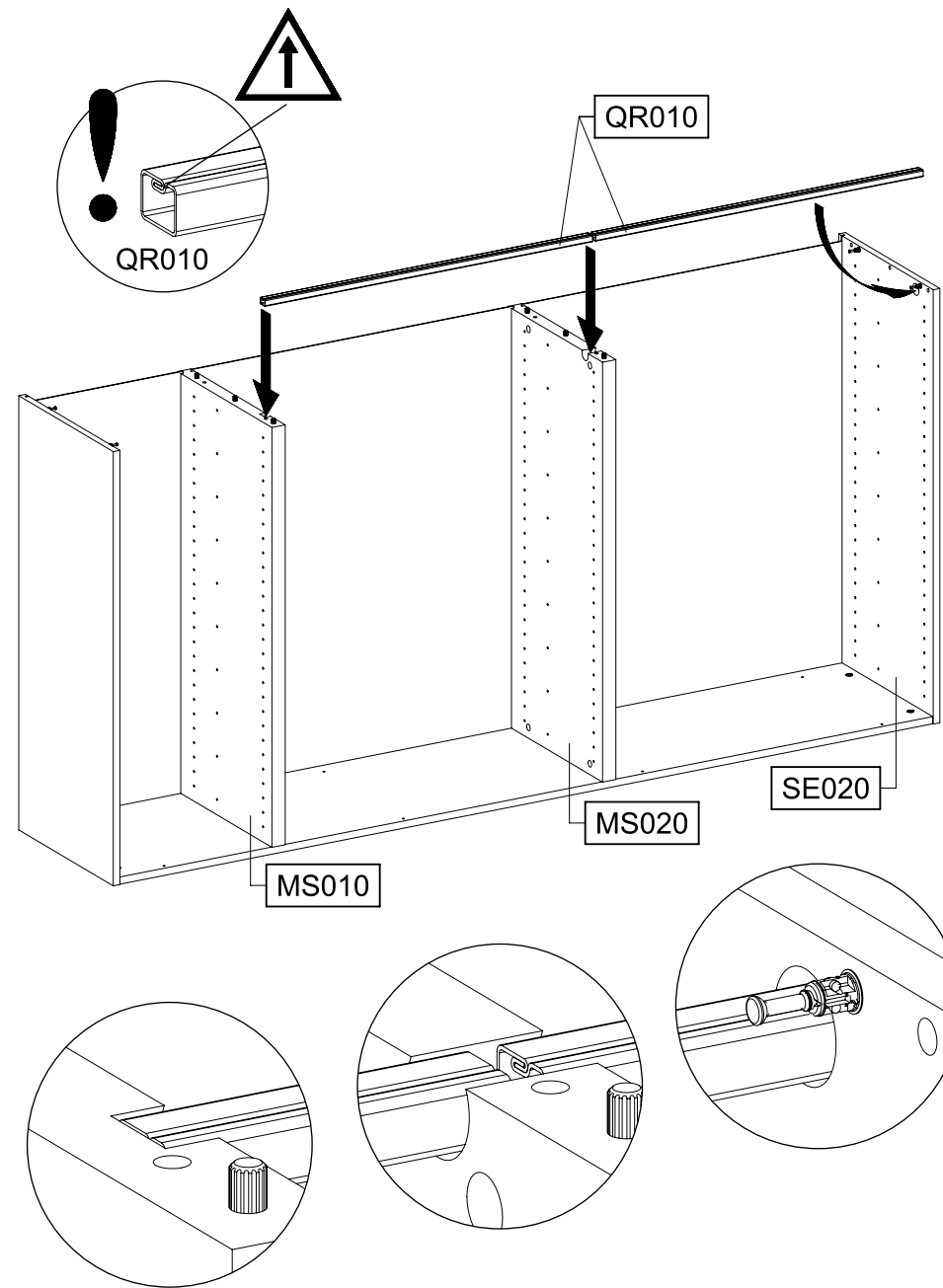
19



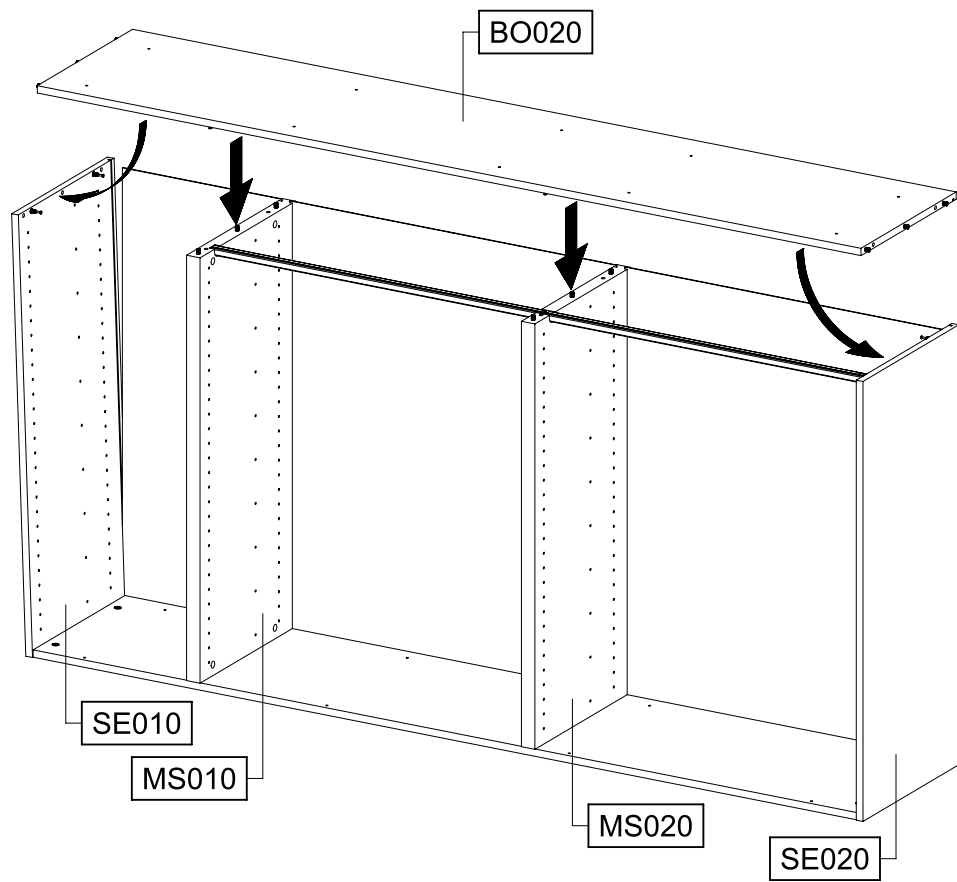
20



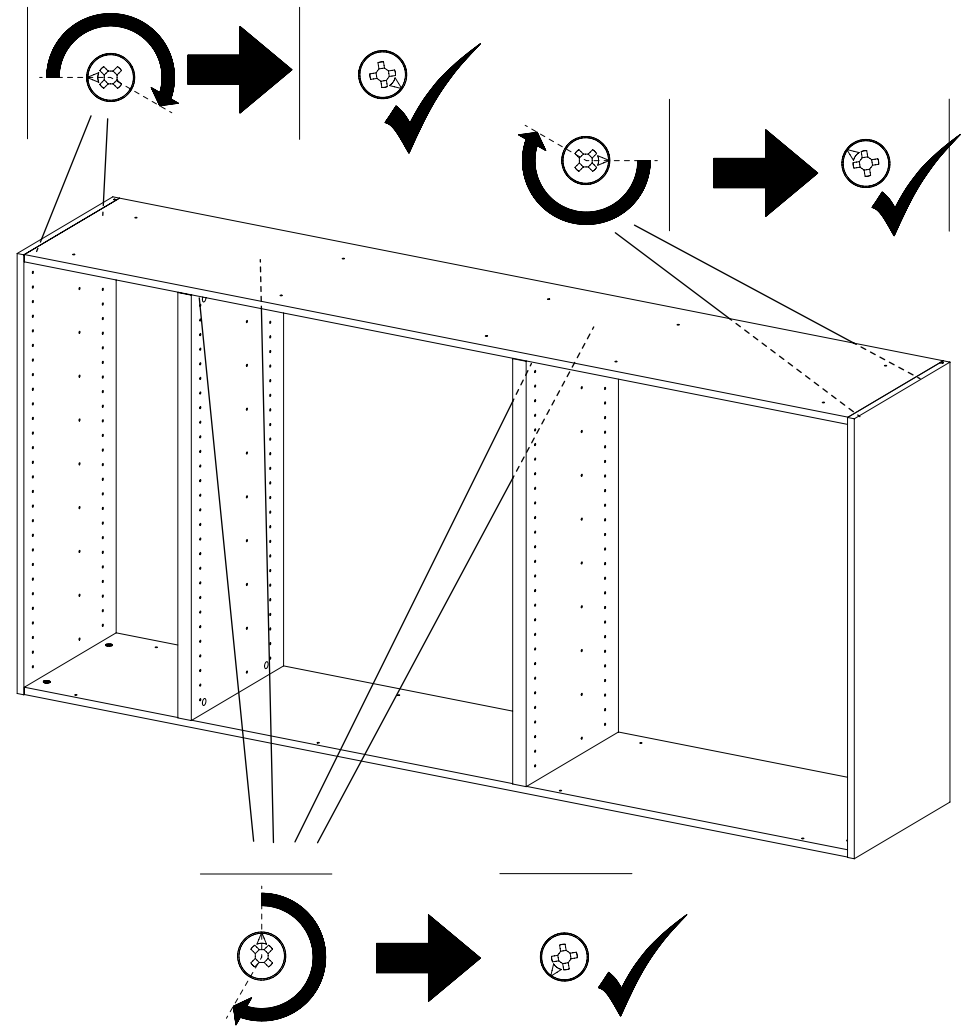
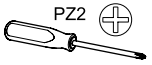
21



22



23

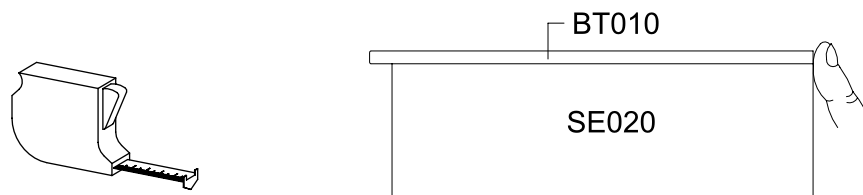
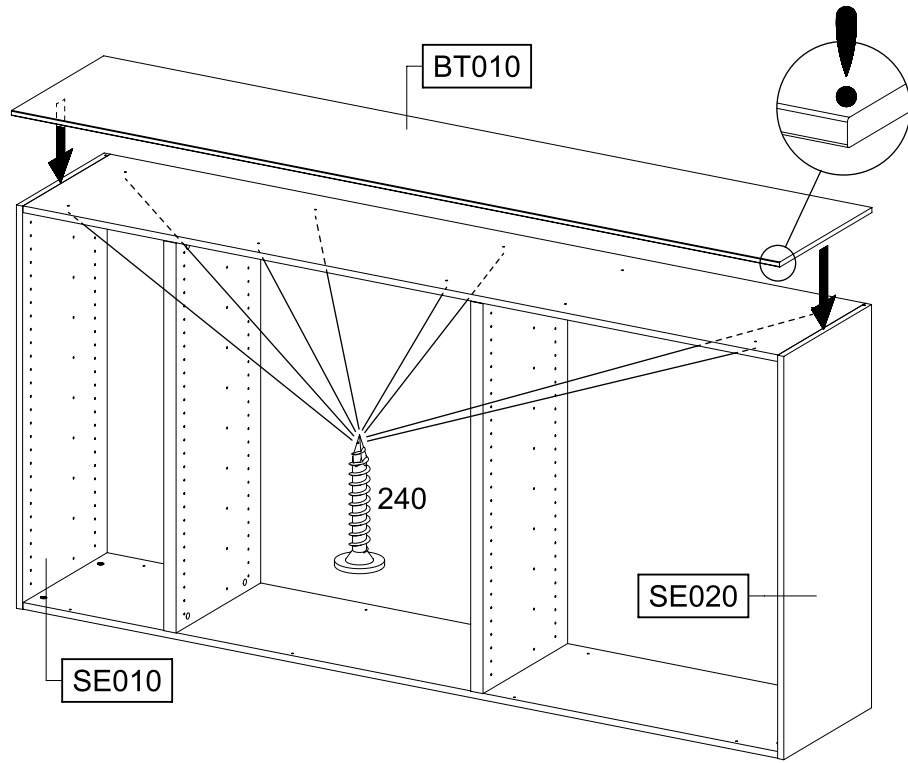
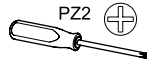
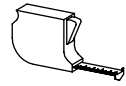


24

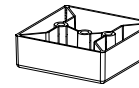
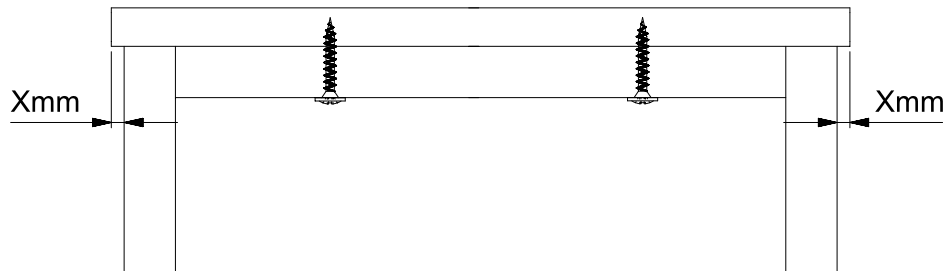
8x

240

4x25



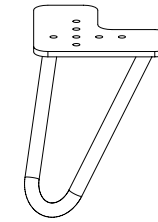
Xmm=Xmm



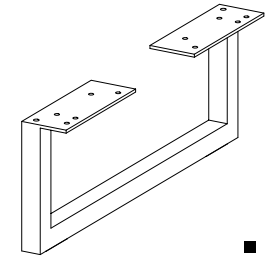
1207



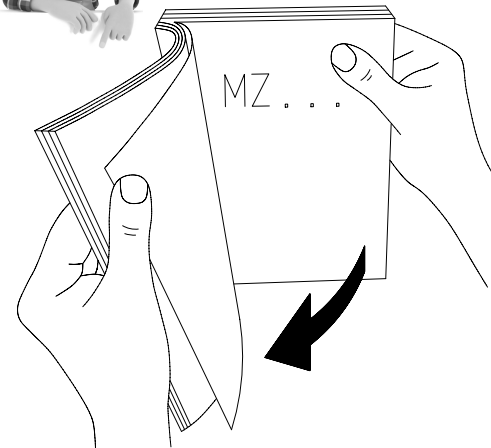
1481



1345

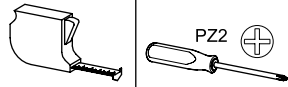


1348

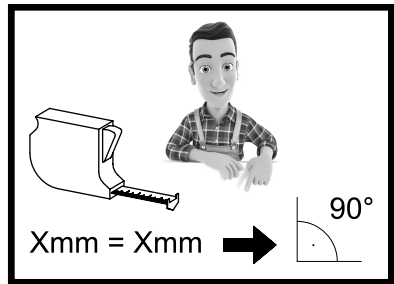


25

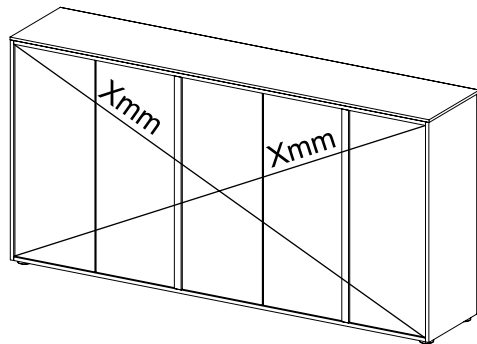
12x 45



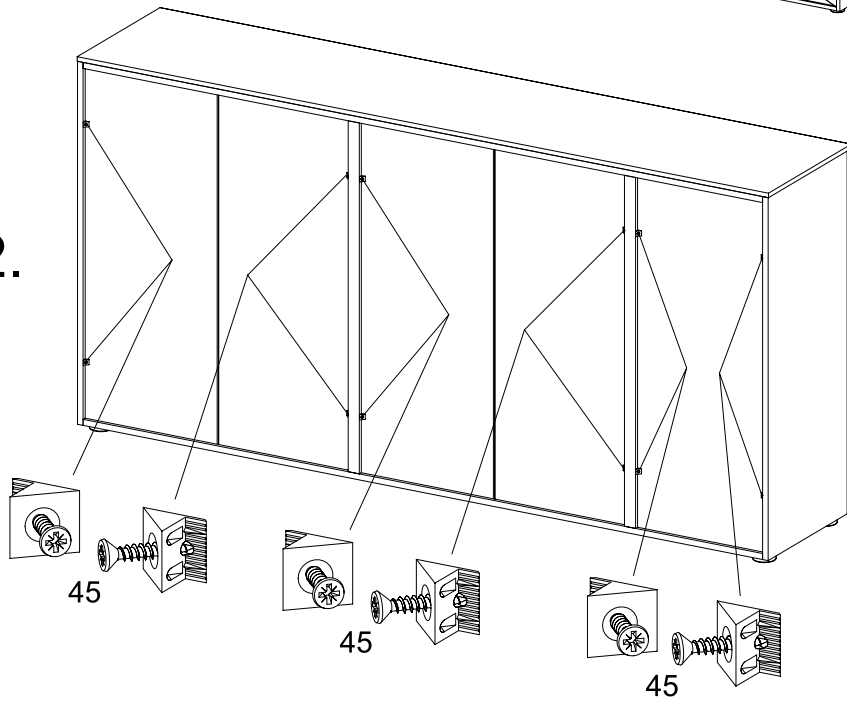
PZ2



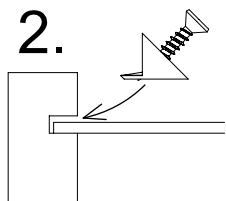
1.



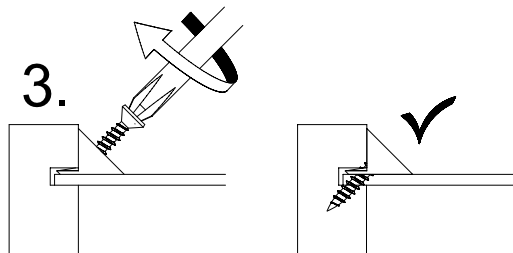
2.



2.



3.

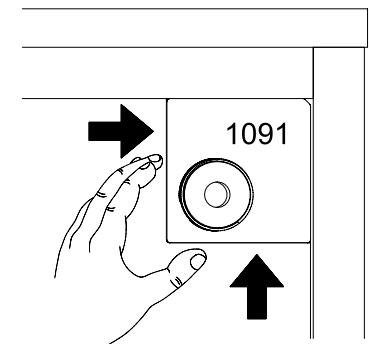
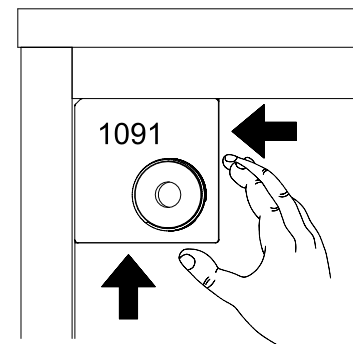
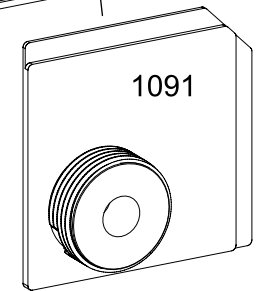
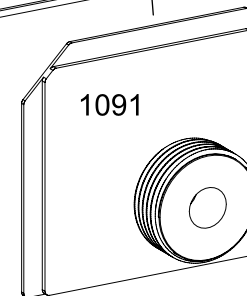
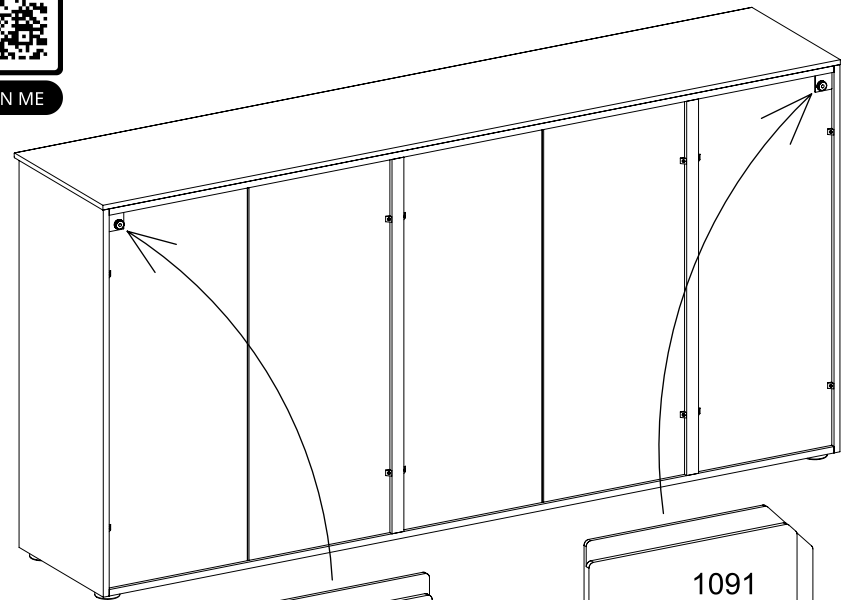


26

2x 1091



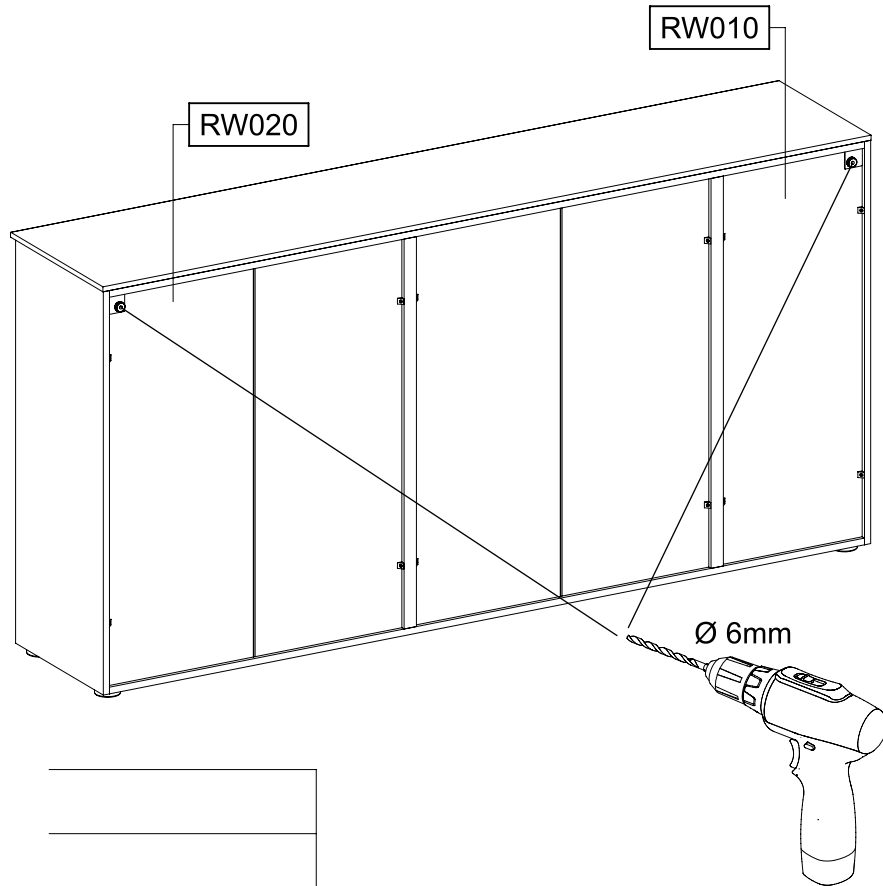
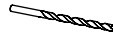
SCAN ME



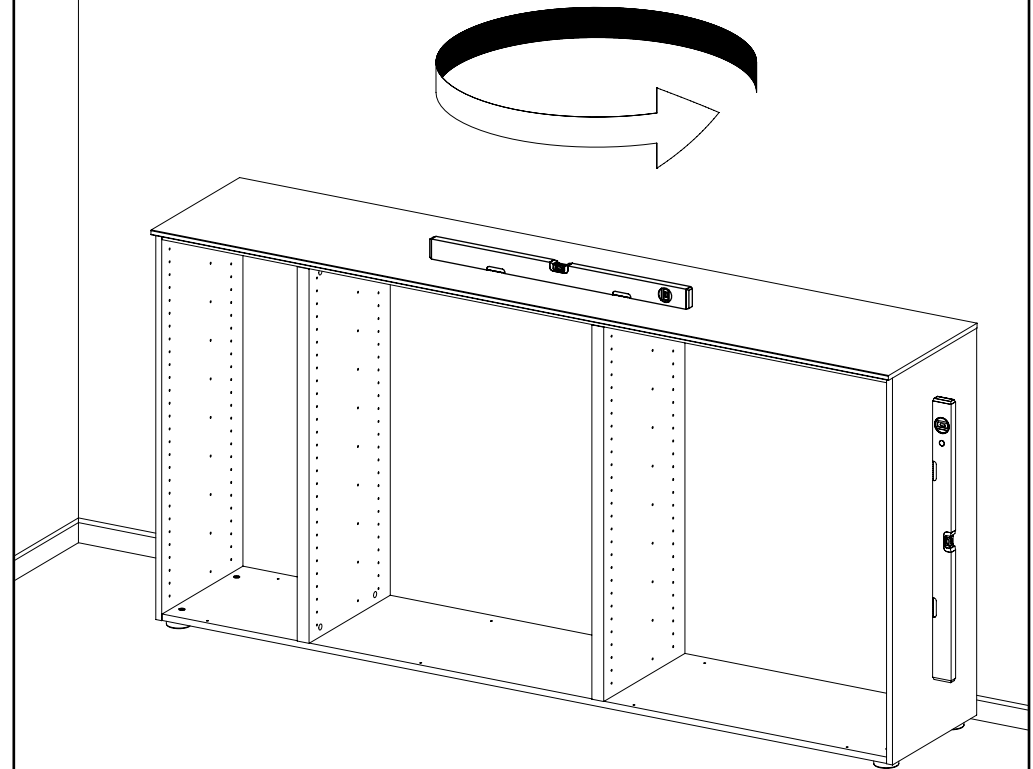
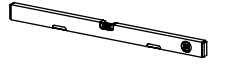
27



Ø6mm



28



29

2x

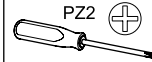
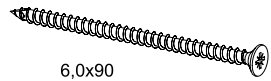
1093



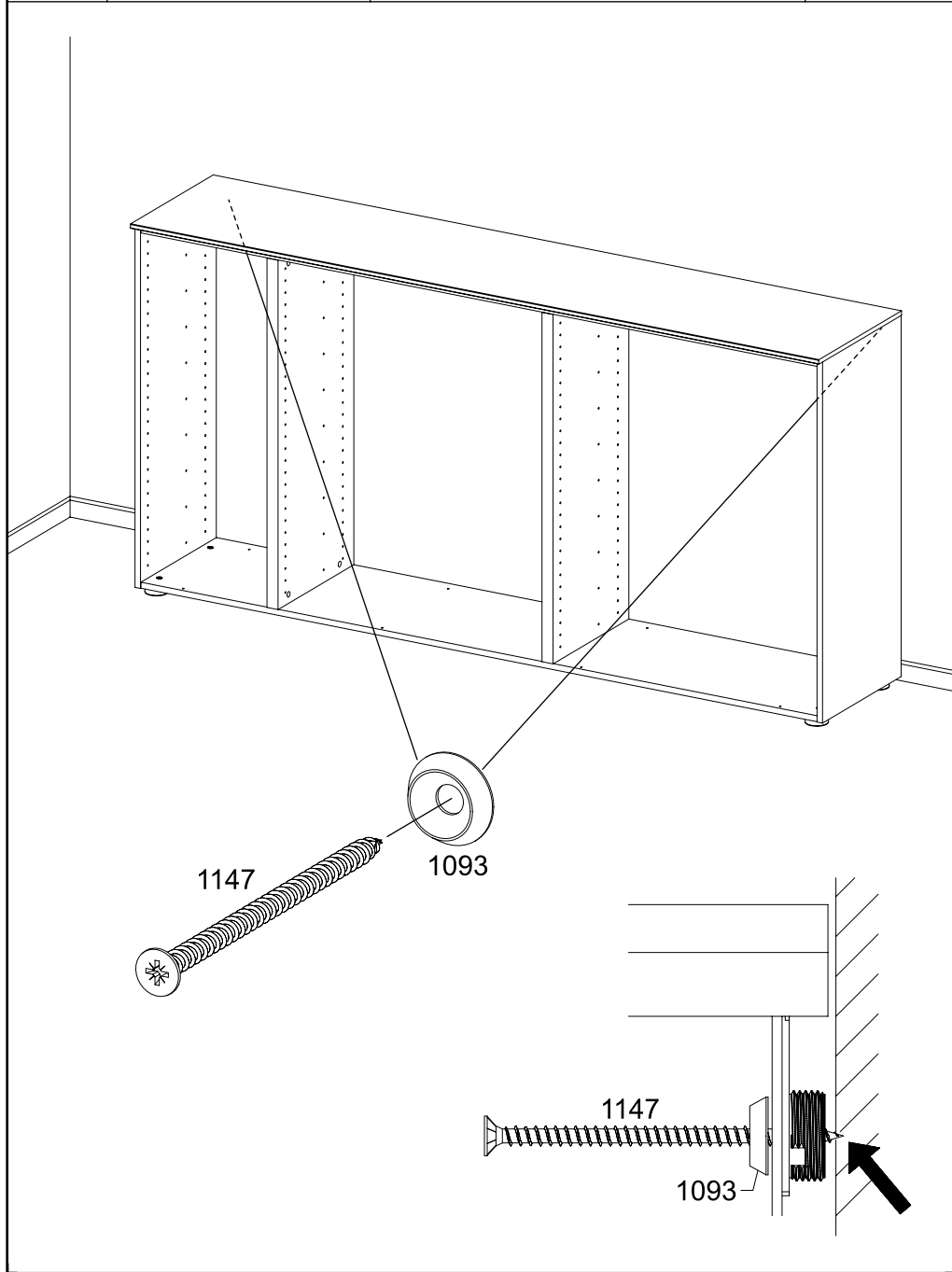
2x

1147

6,0x90



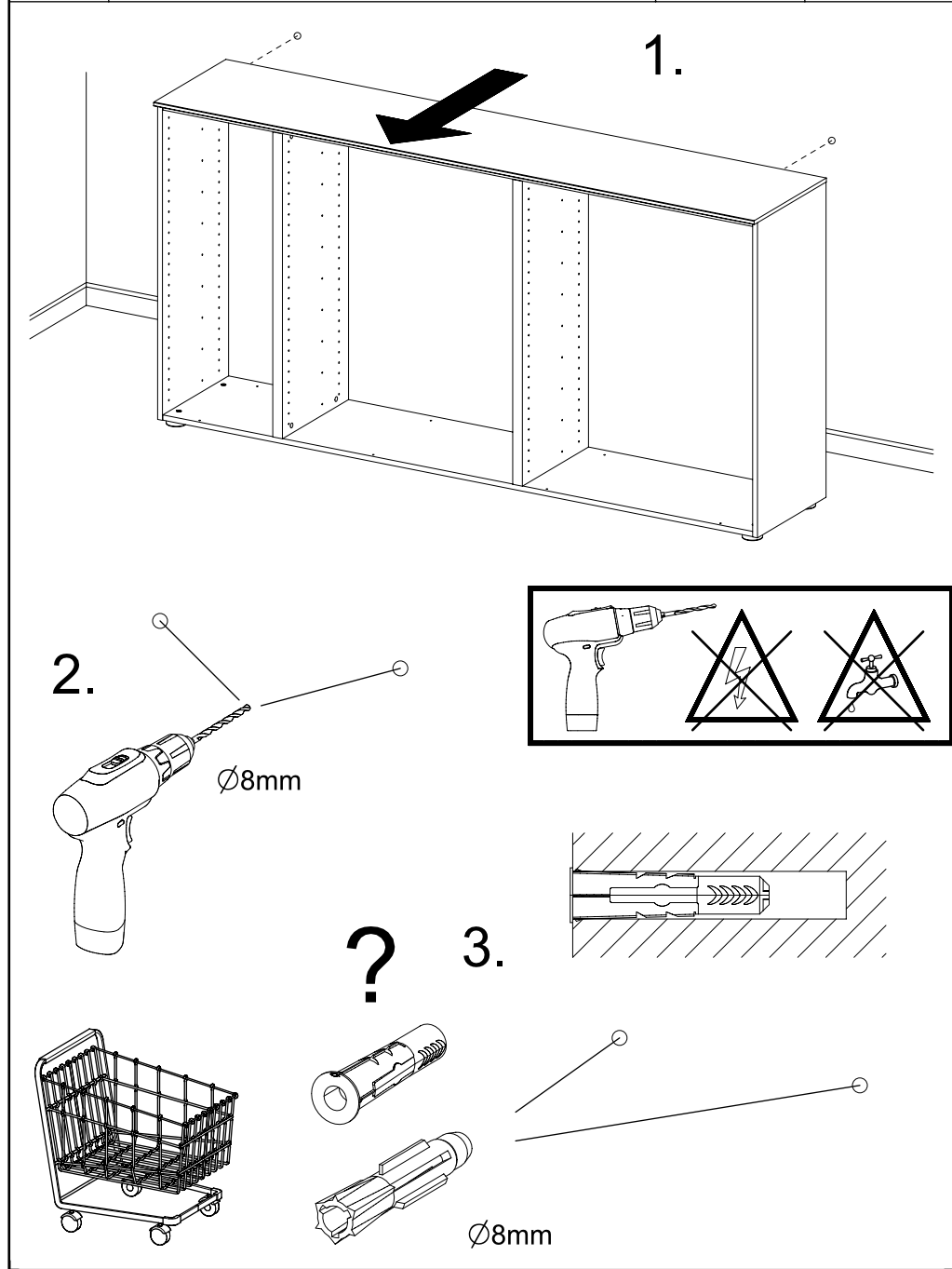
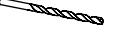
PZ2



30

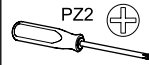


Ø8mm

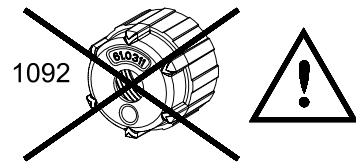
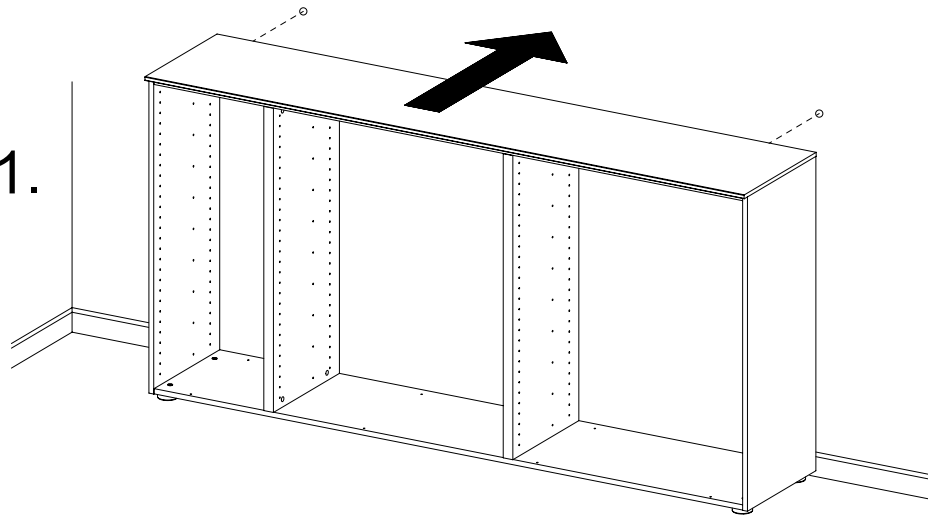


31

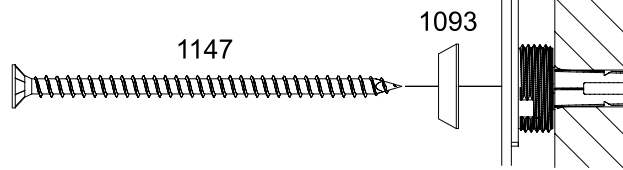
2x 1092



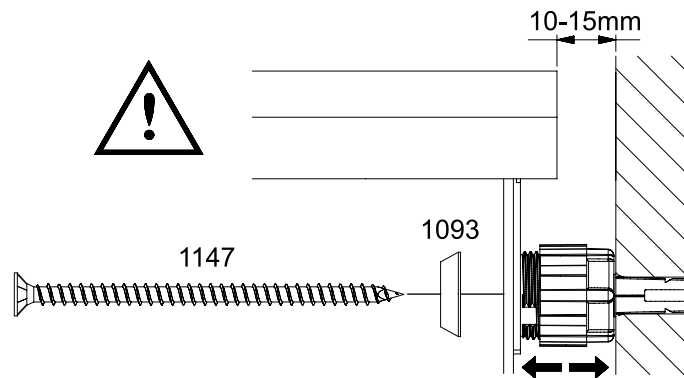
1.



2.



2.

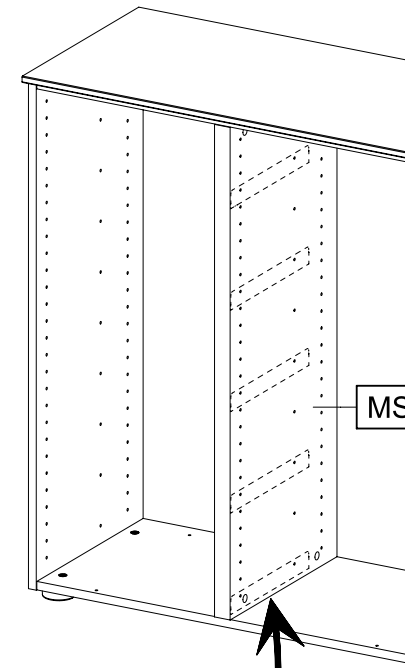
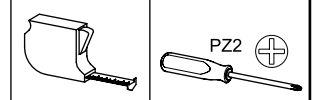
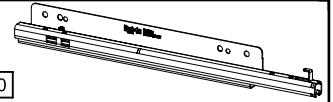


32

10x 792 6,3x9

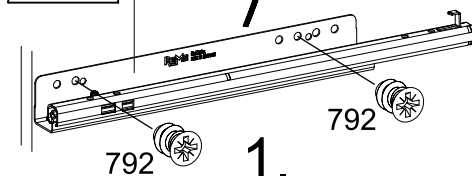
10x 836 4x15

5x UF010

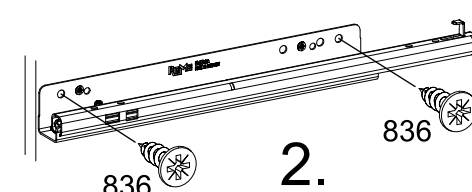


UF010

MS010

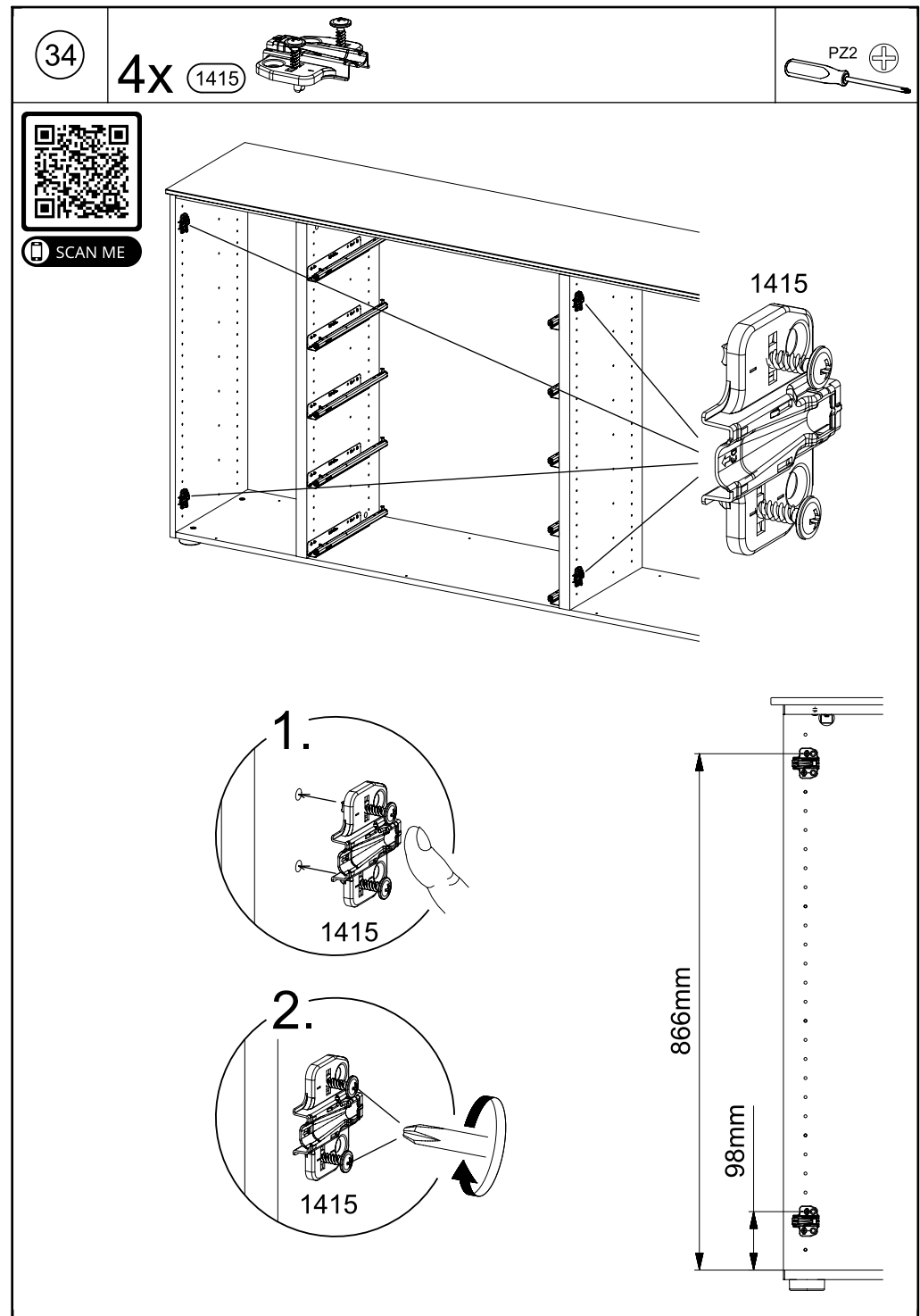
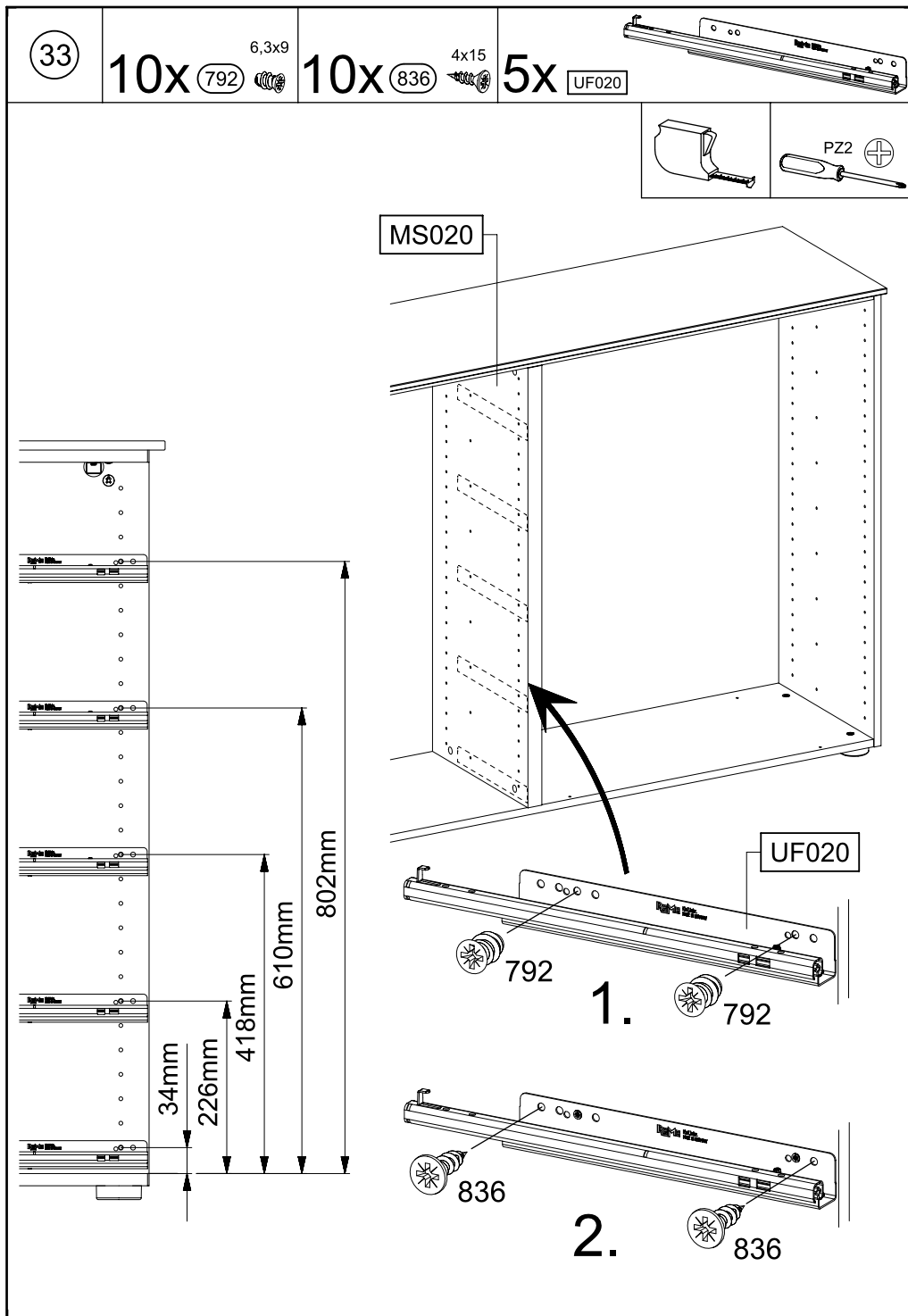


1.



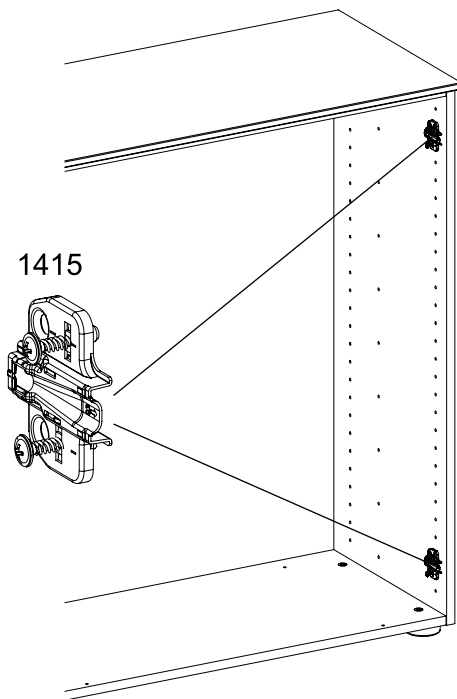
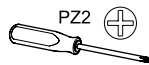
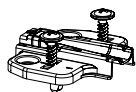
2.



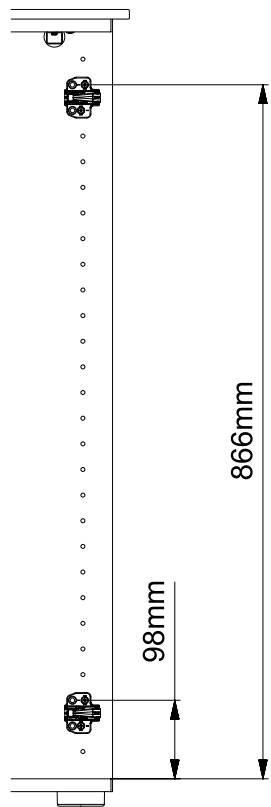


35

2x 1415

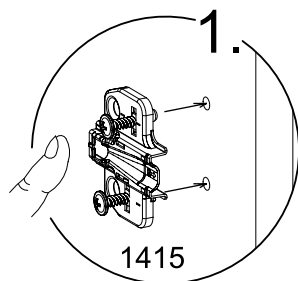


1415



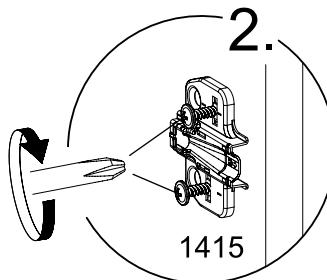
866mm

98mm



1.

1415

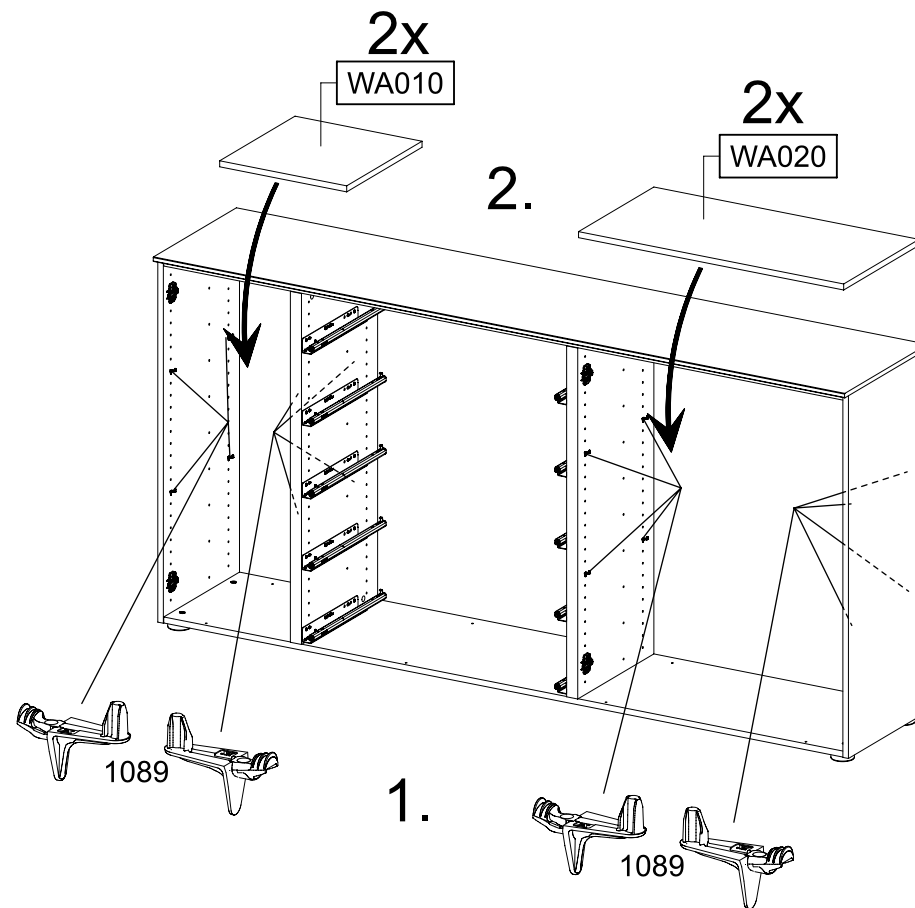
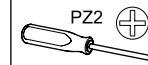


2.

1415

36

16x 1089



2x

WA010

2.

2x

WA020

1089

1.

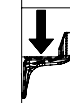
1089



1.

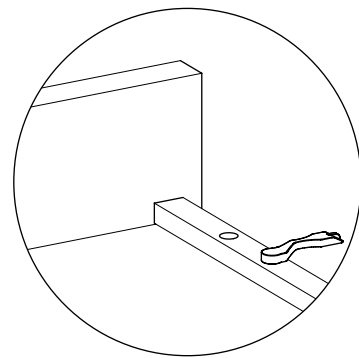
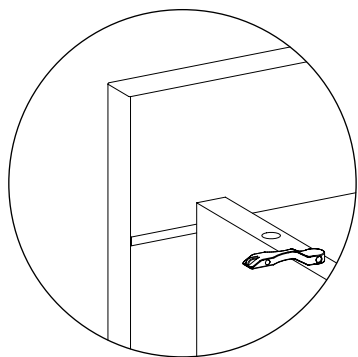
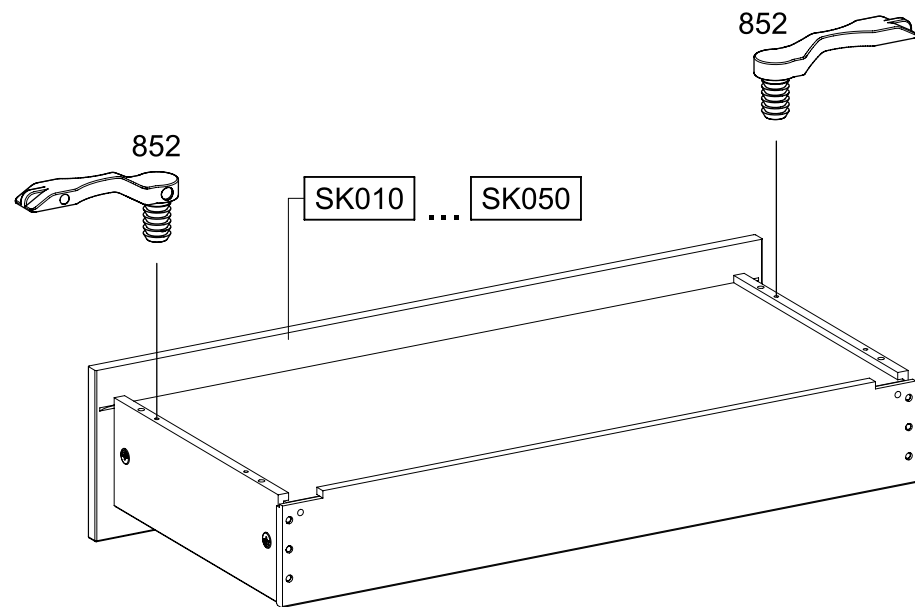
1089

WA010 WA020

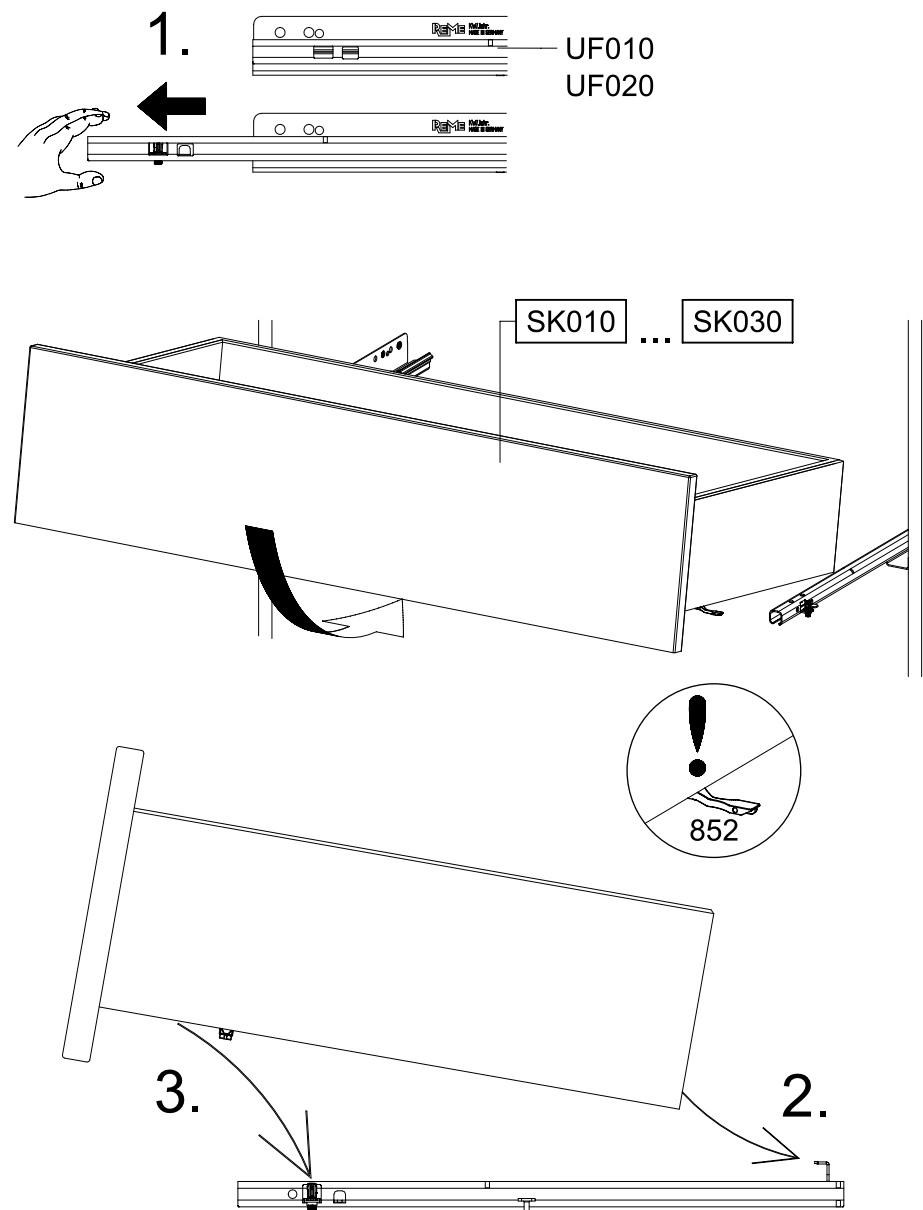


2.

37

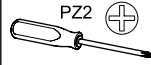
10x  852

38



39

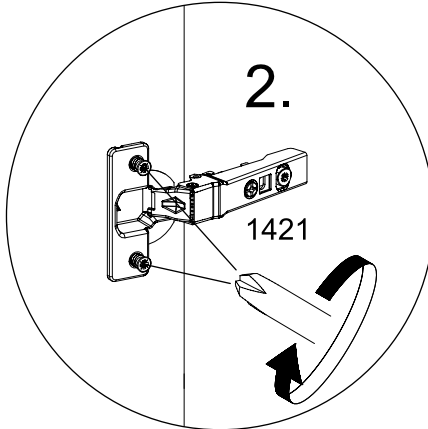
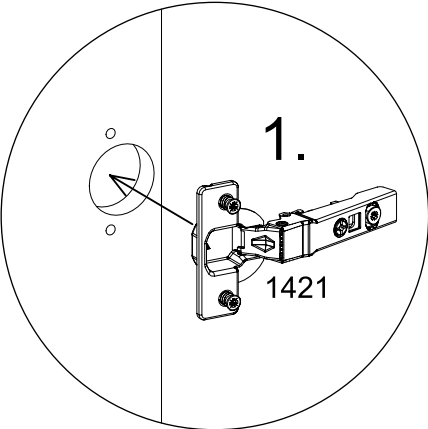
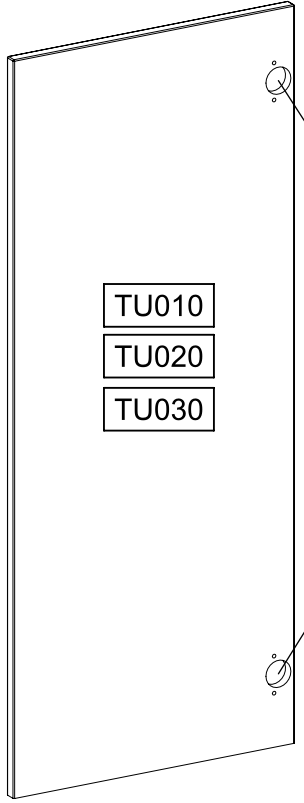
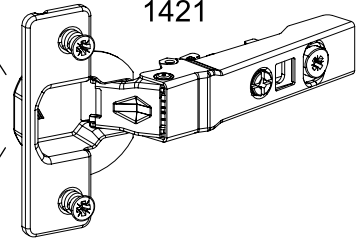
6x 1421



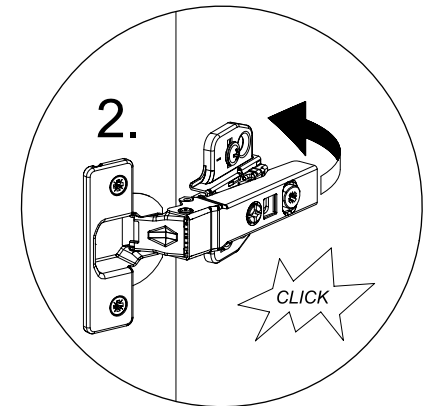
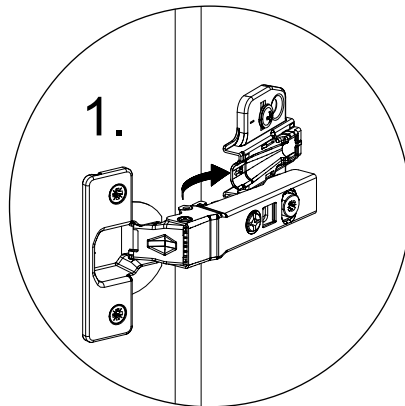
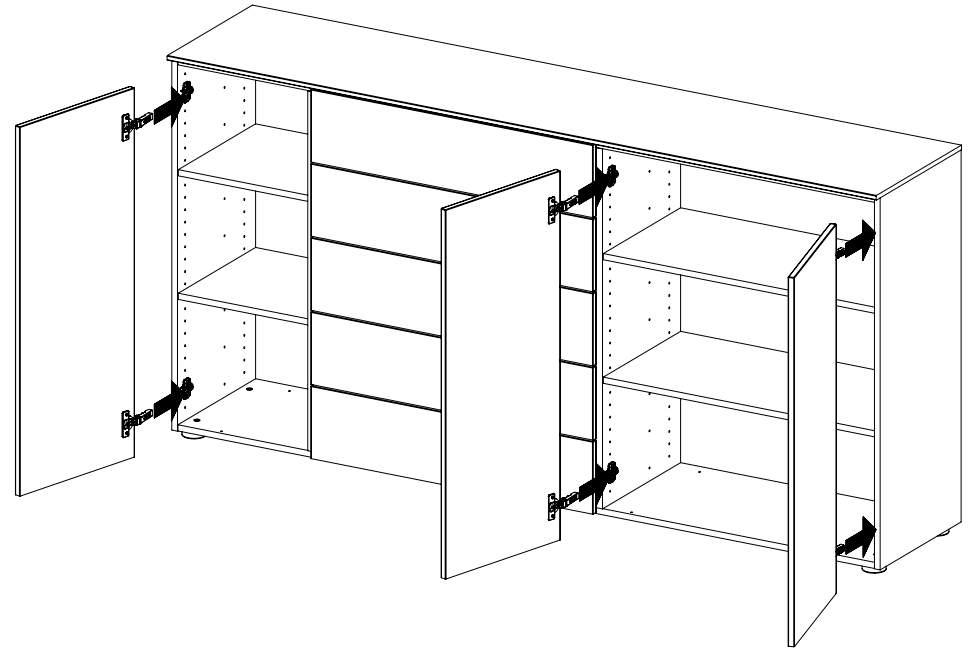
SCAN ME

TU010
TU020
TU030

1421



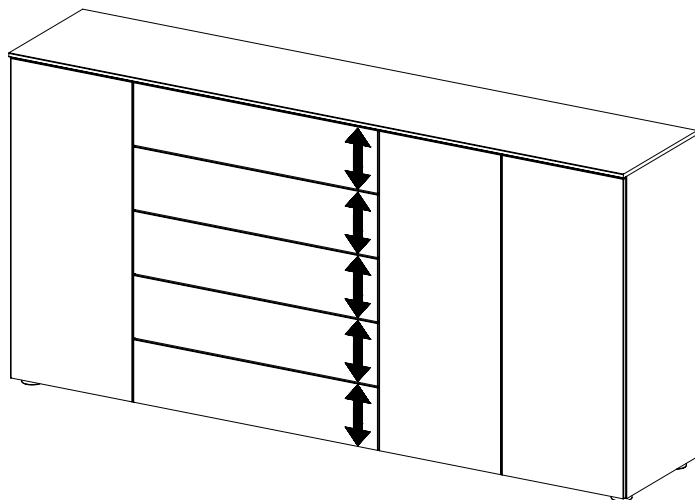
40



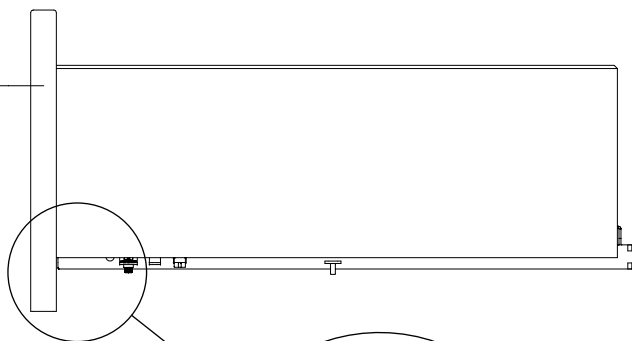
41



SCAN ME

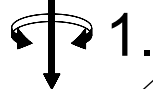
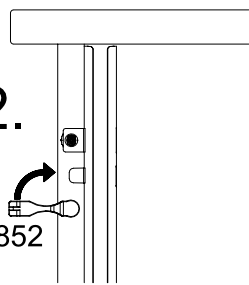


SK010
SK020
SK030
SK040
SK050



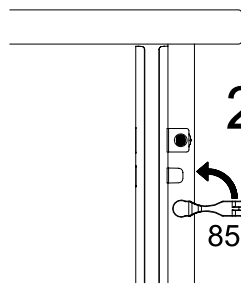
2.

852



2.

852



42



SCAN ME

