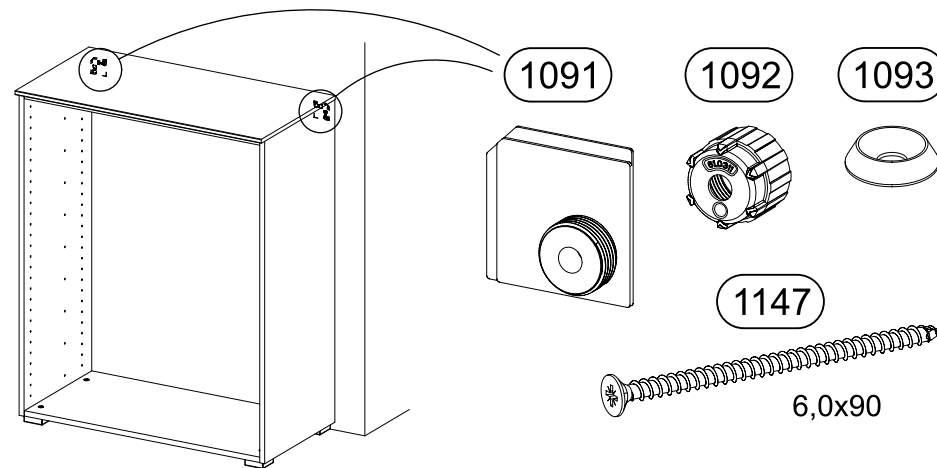
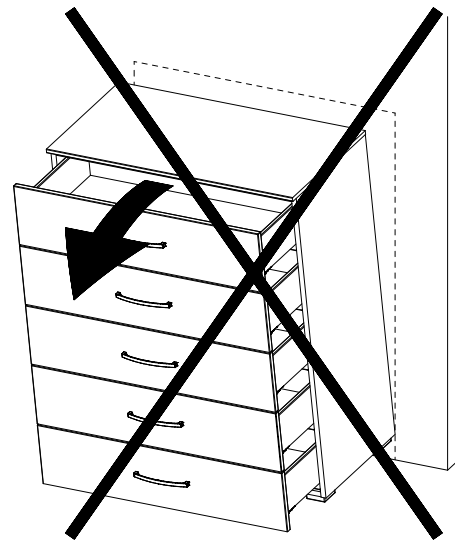
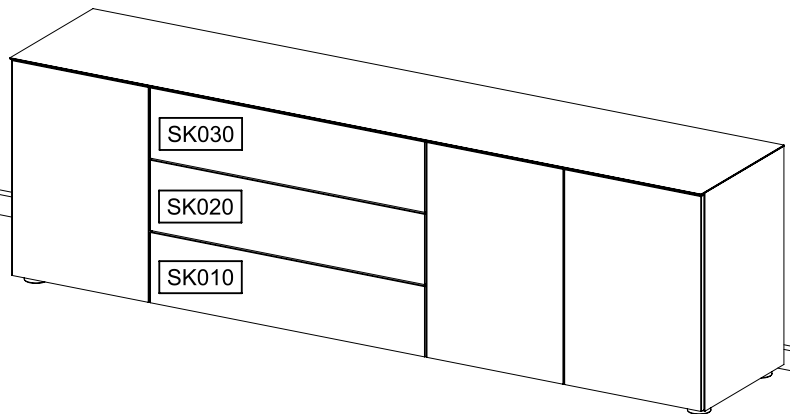
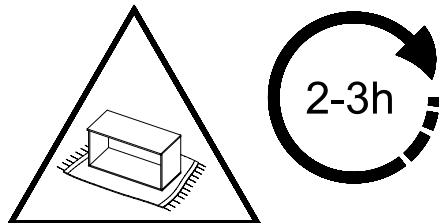
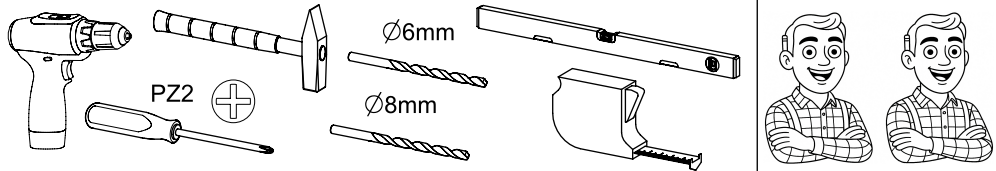


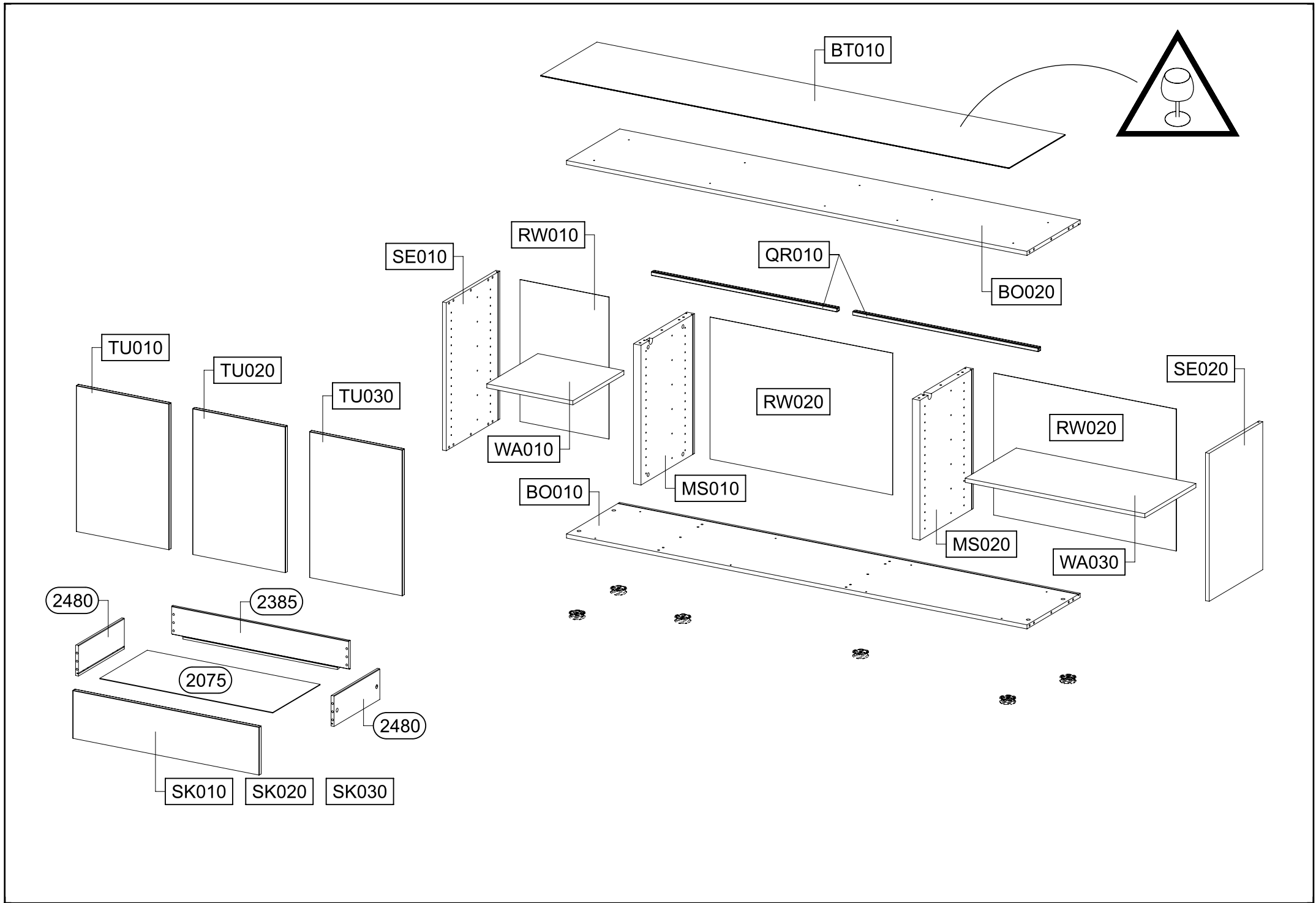
M3174_02





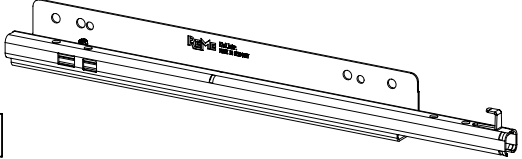

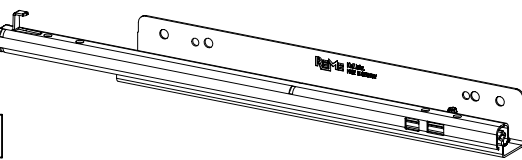
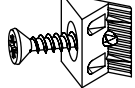


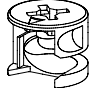
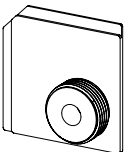
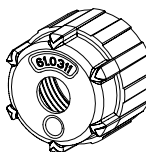

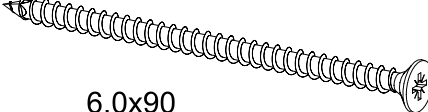
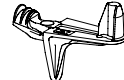
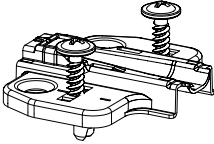
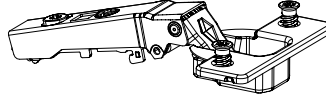
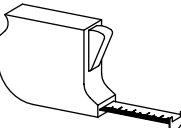
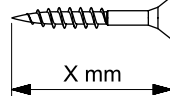
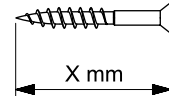
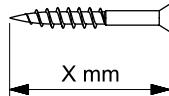


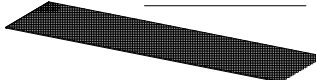
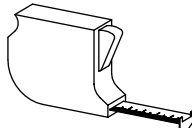
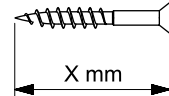
VIDEO

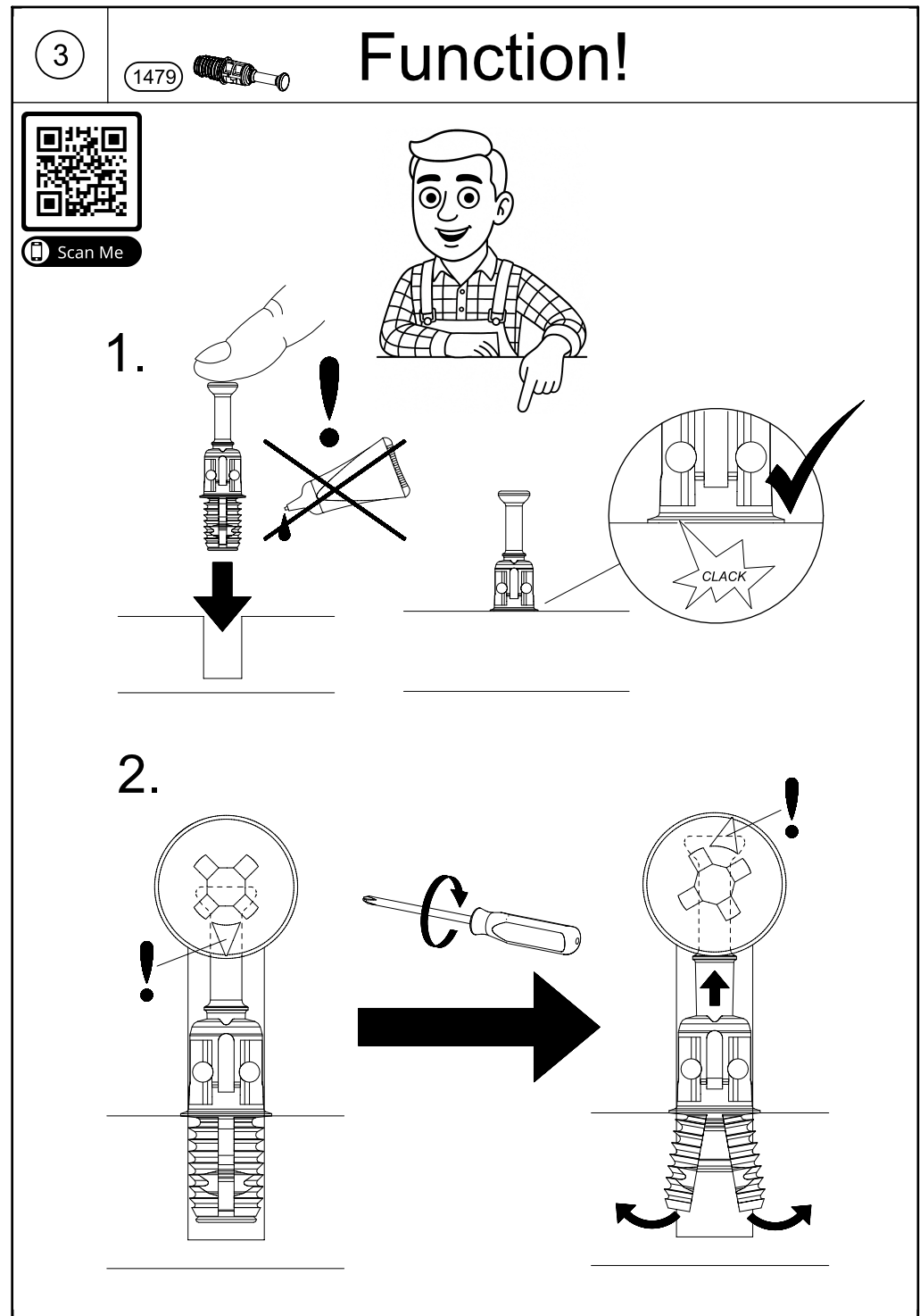
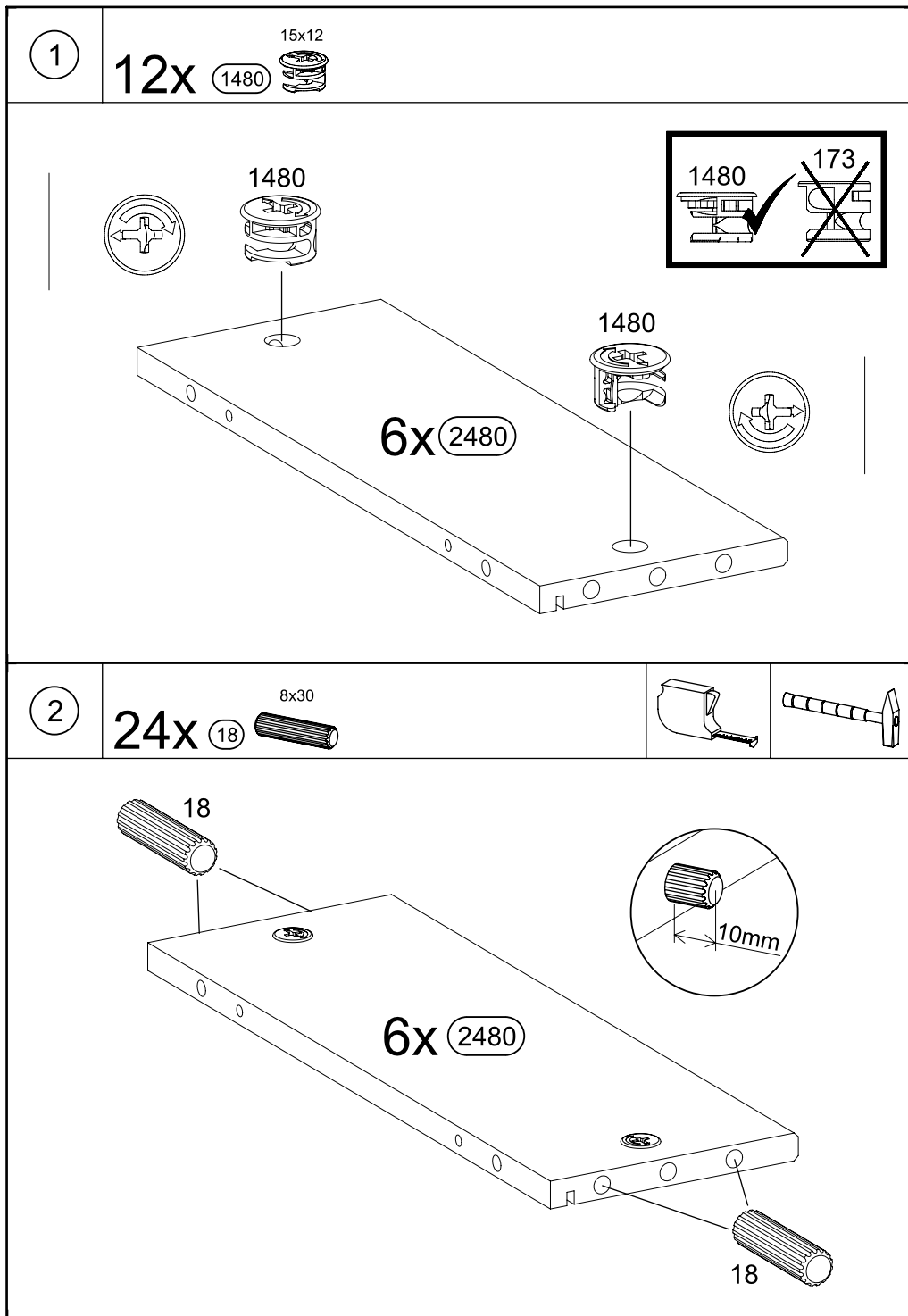


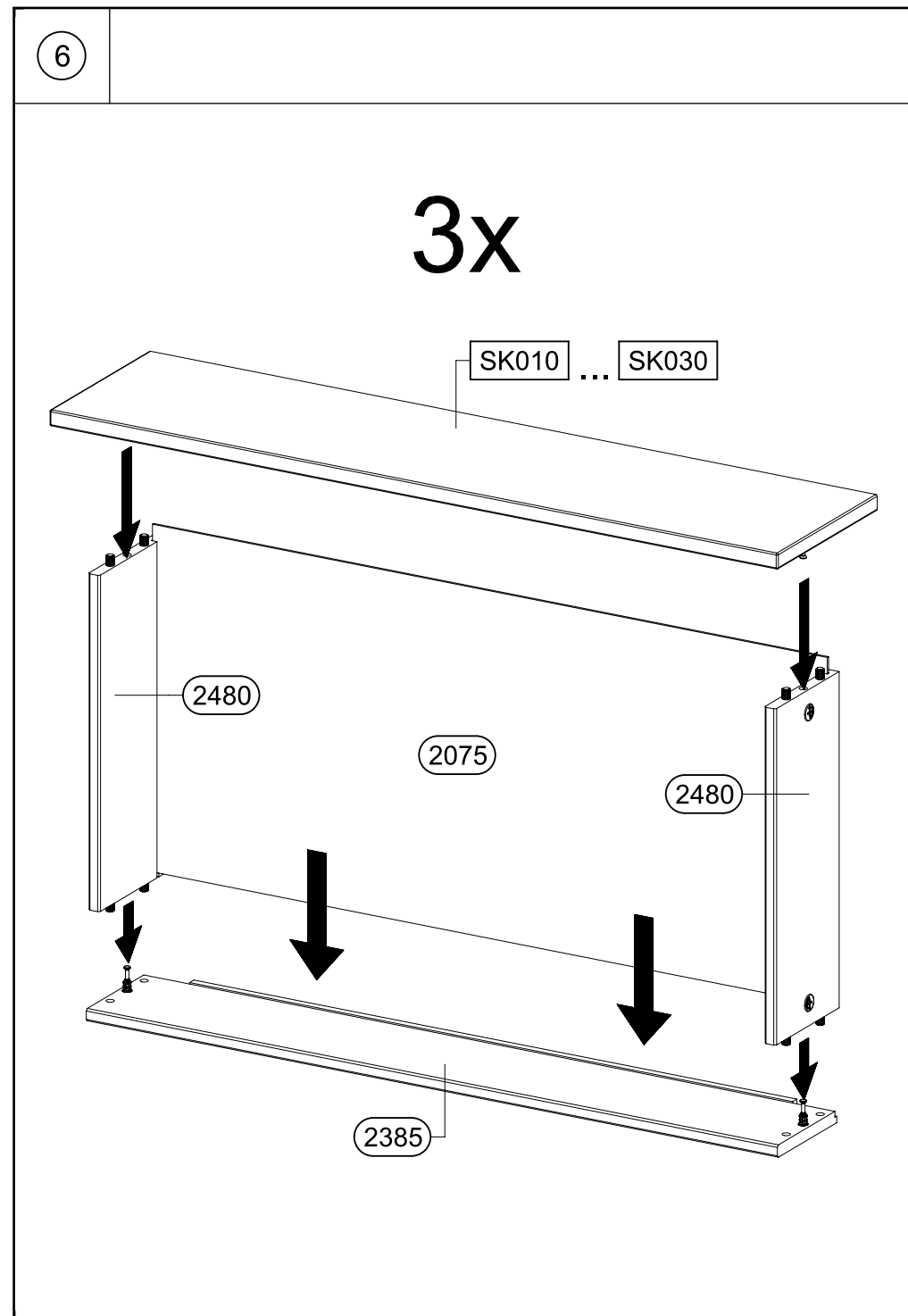
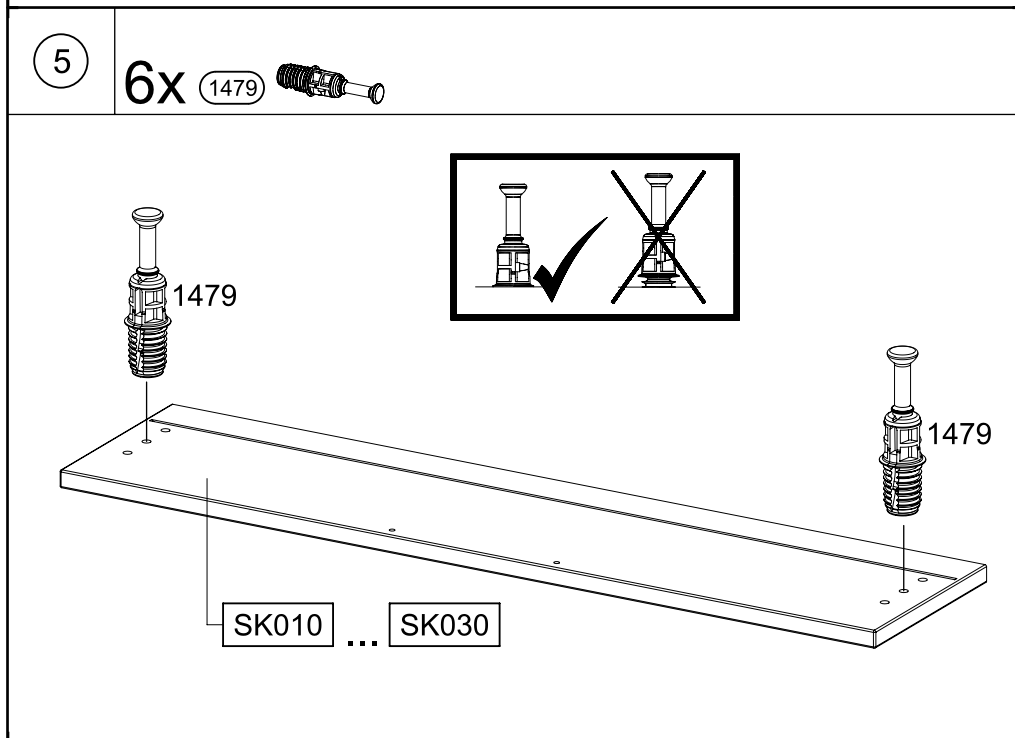
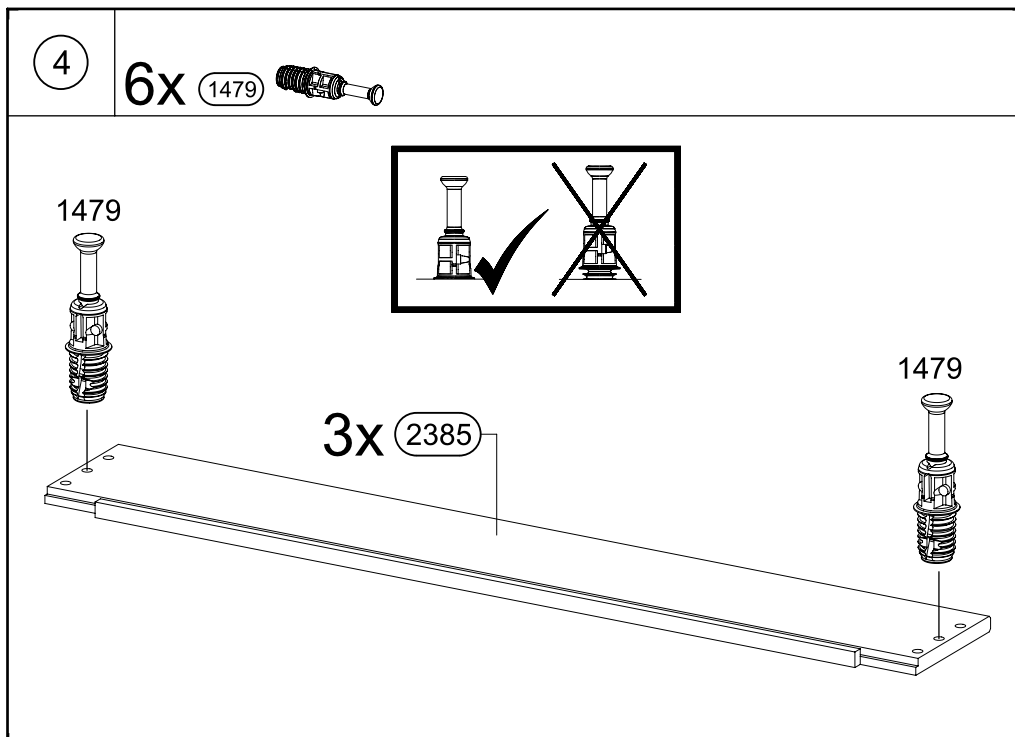
SCAN ME

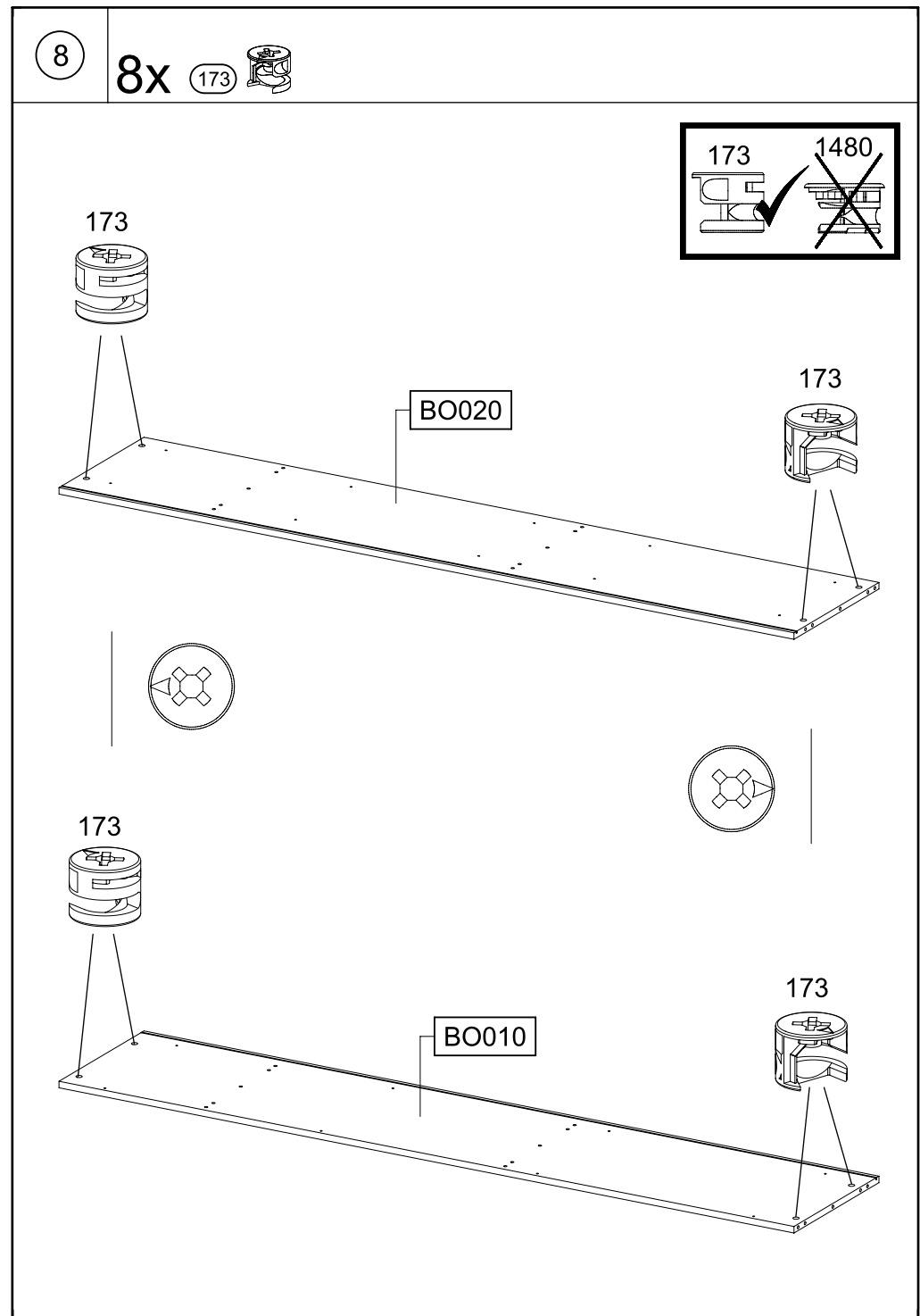
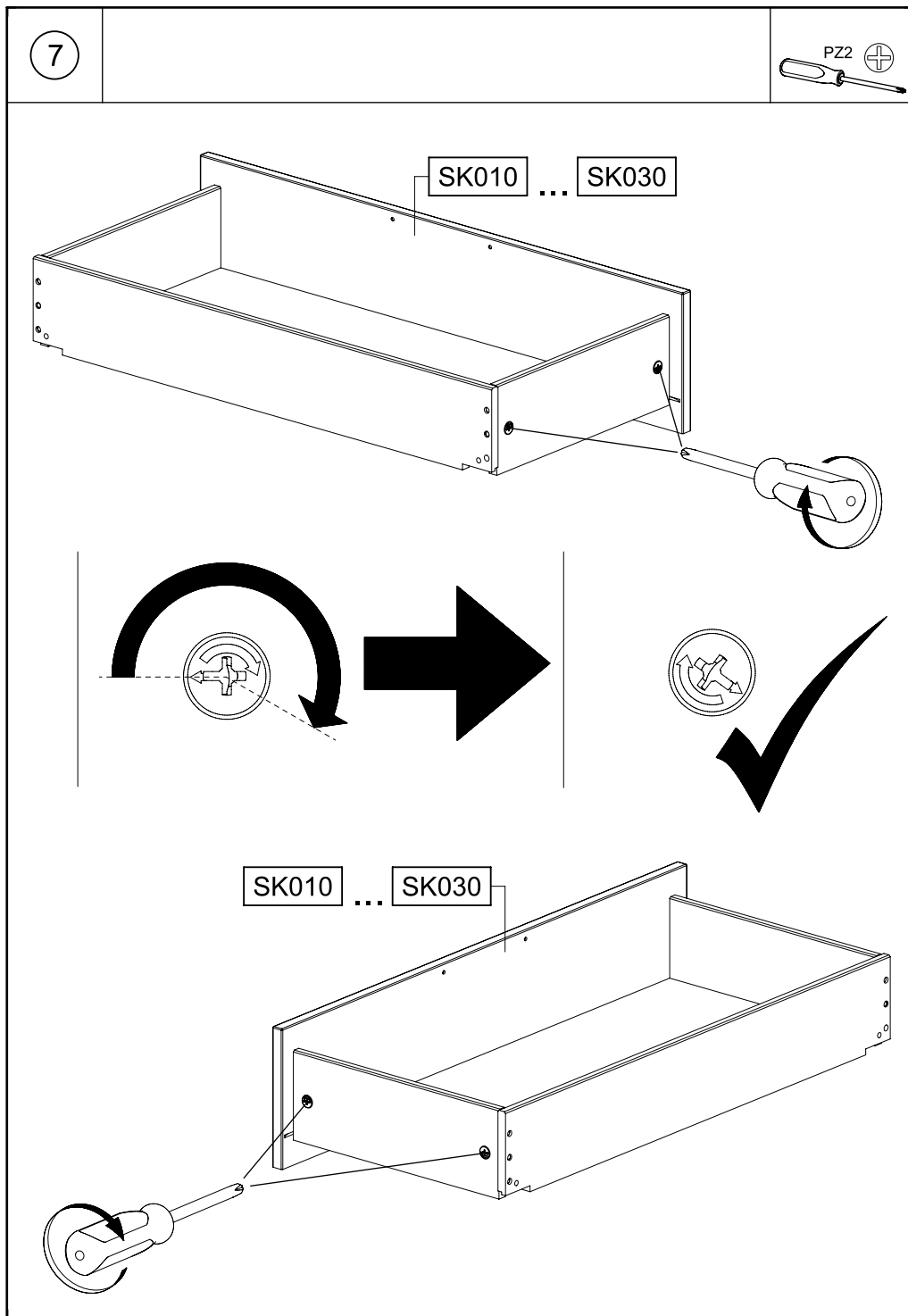


12x 4x15 836 	48x 8x30 18 	12x 6,3x9 792 	12x 15x12 1480 
3x UF010 	8x 4x25 240 	3x UF020 	12x 45 
28x 1479 	6x 852 	16x 173 	
2x 1091 	2x 1092 	2x 1093 	
2x 1147 6,0x90 	8x 1089 		
6x 1415 	6x 1421 		
			

2x 1406 	2x 1407 		
			
			





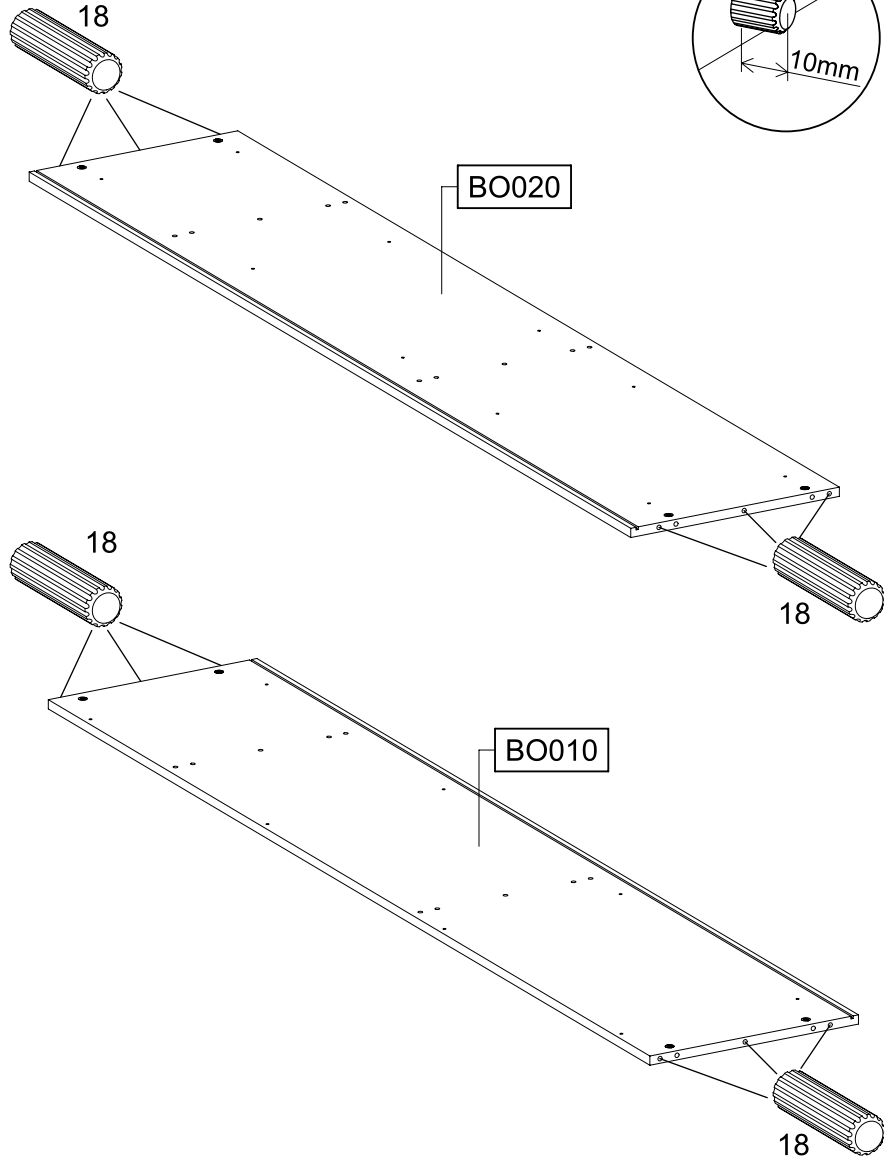
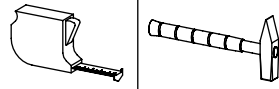


9

12x

18

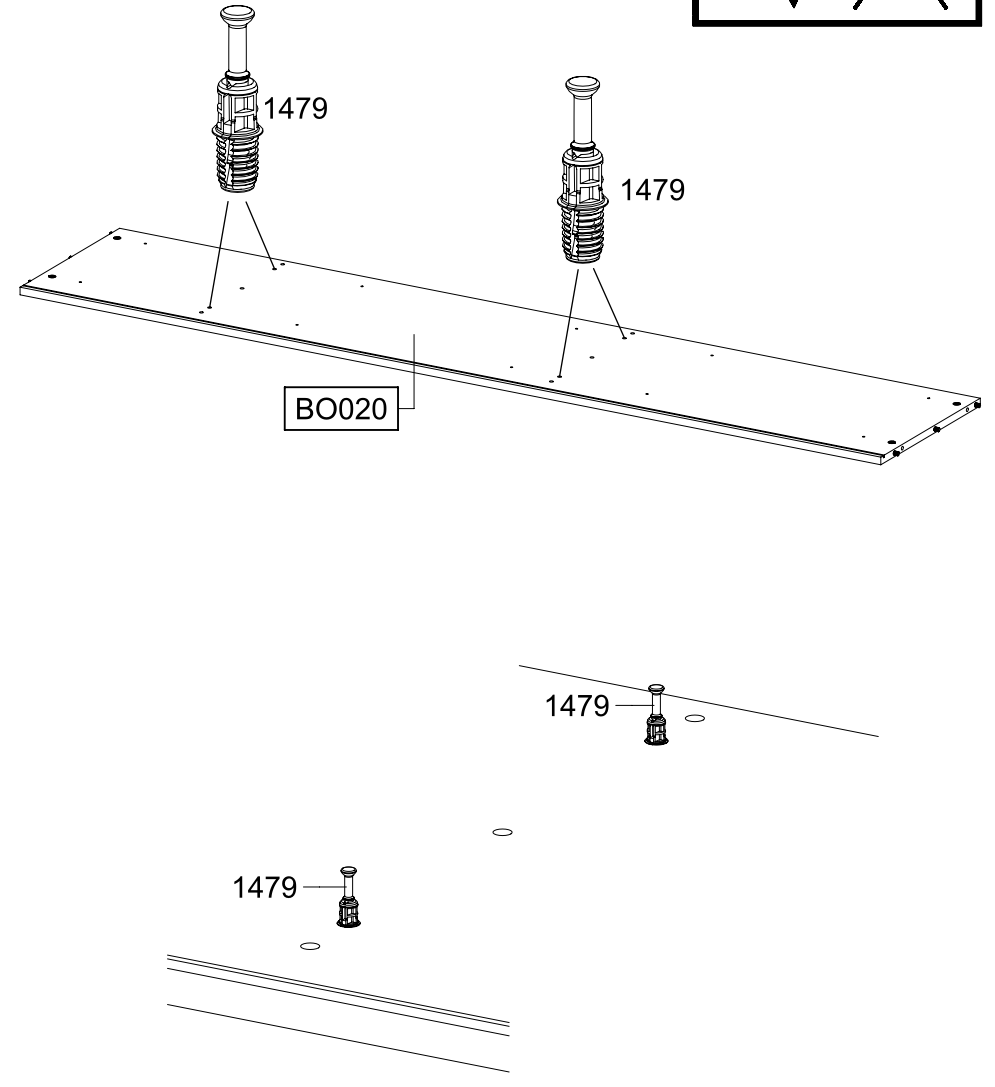
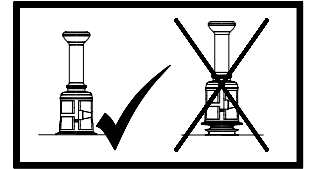
8x30



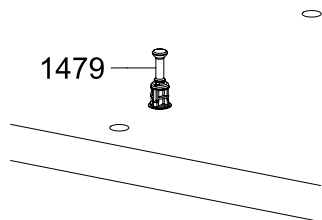
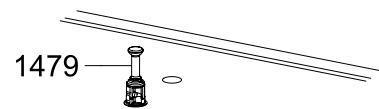
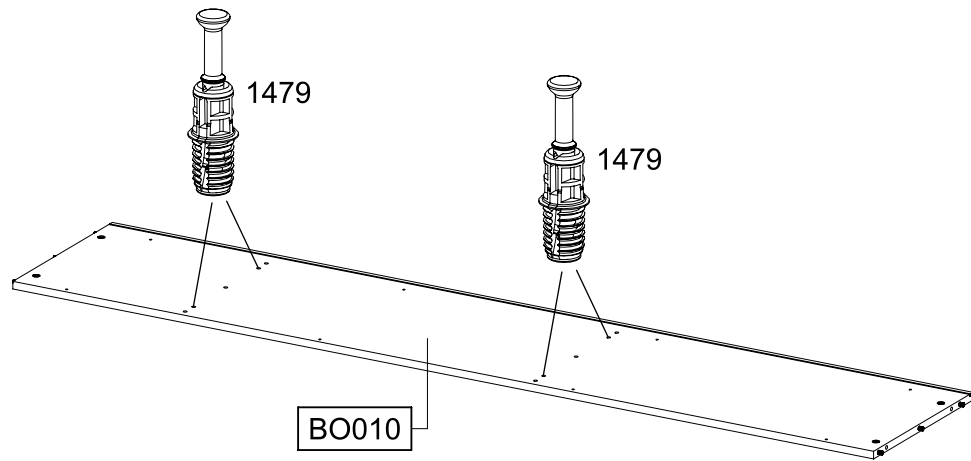
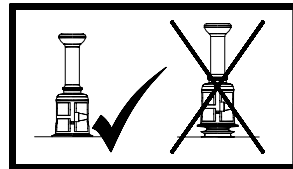

10

4x

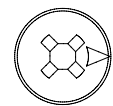
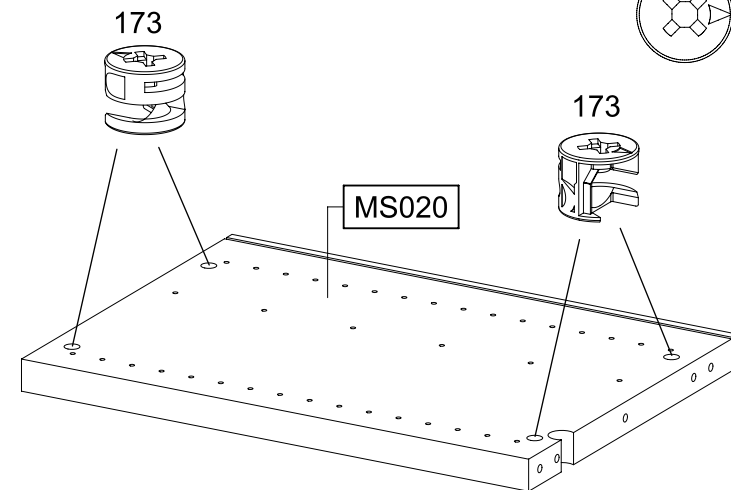
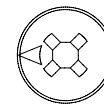
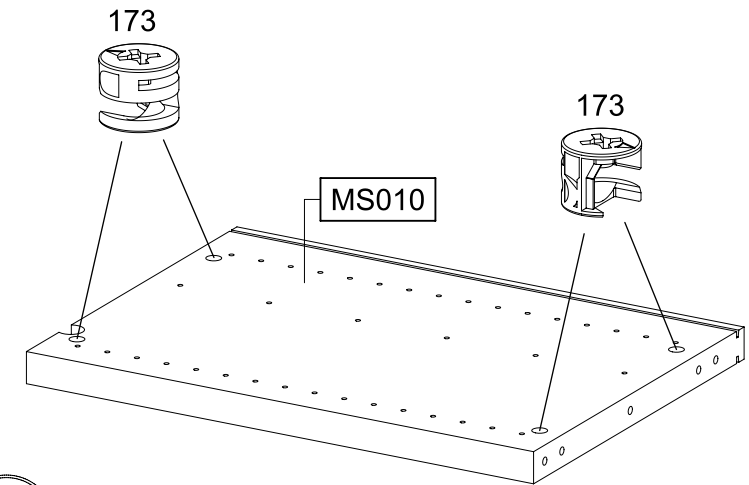
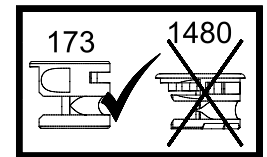
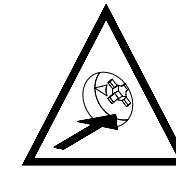
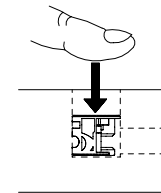

1479

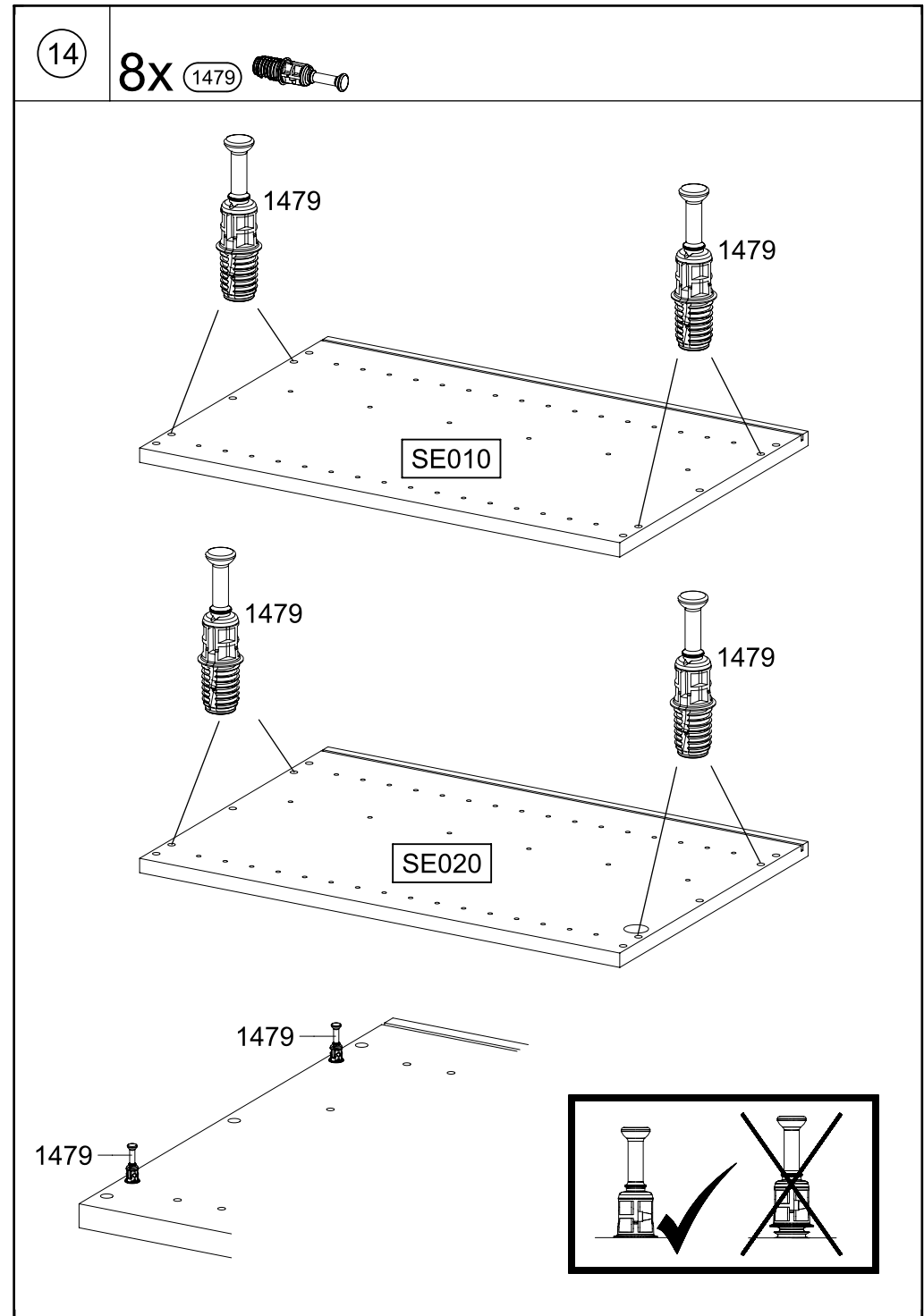
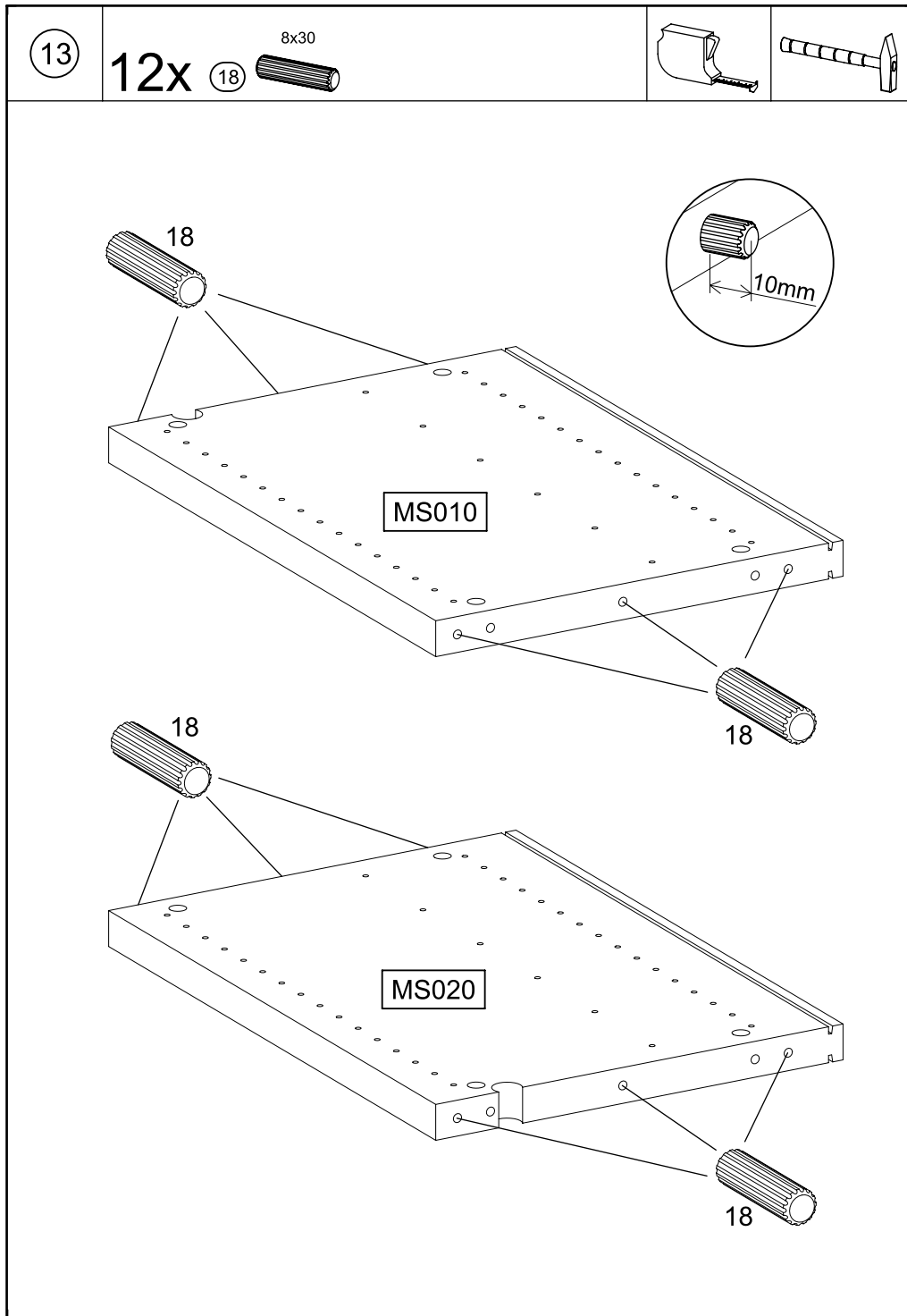


11

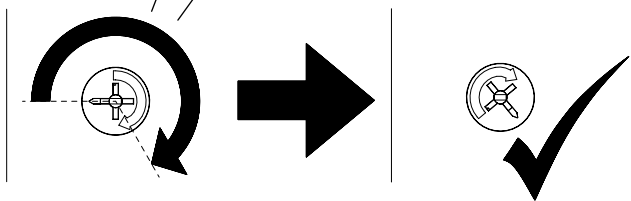
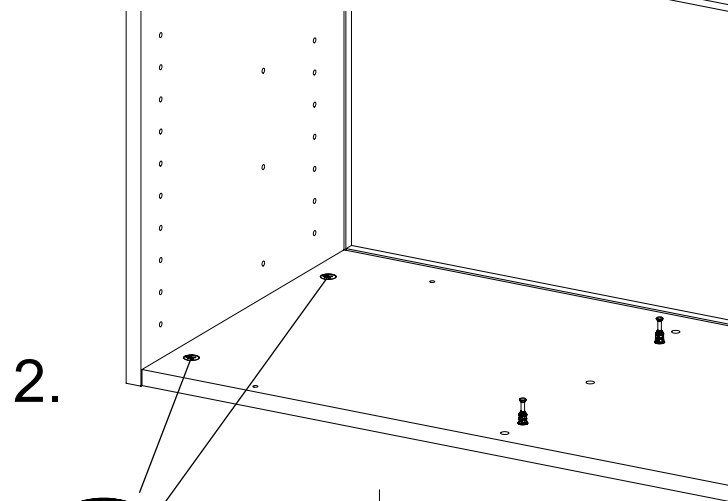
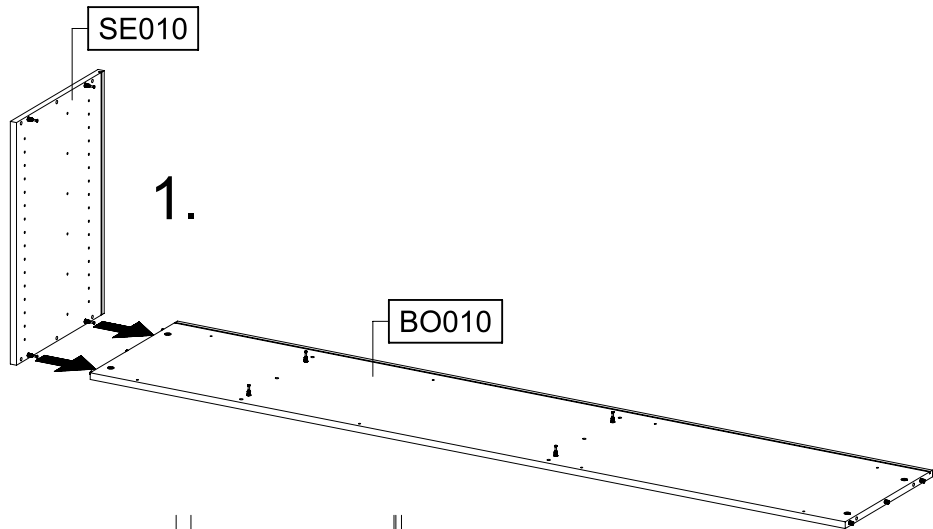
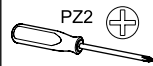
4x 1479 

12

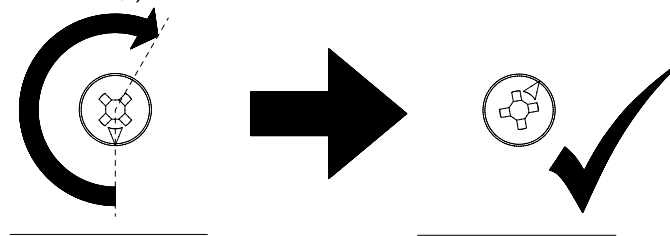
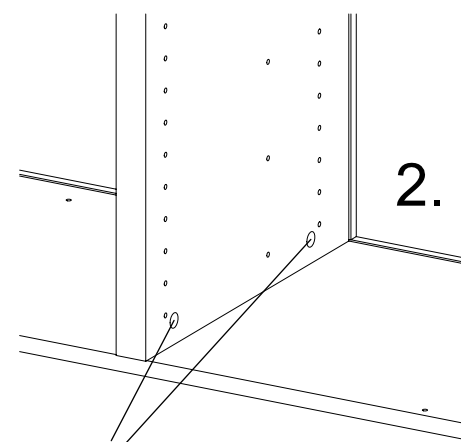
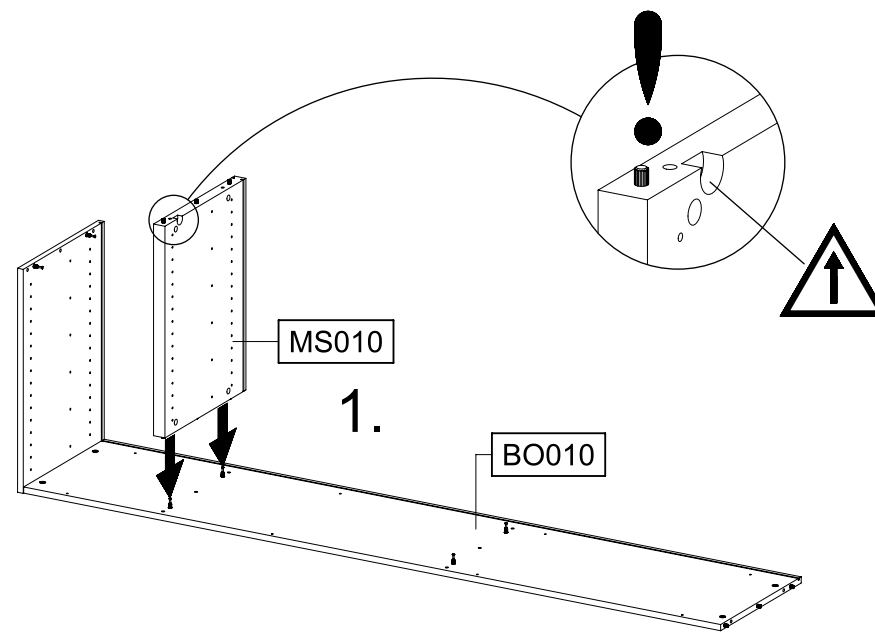
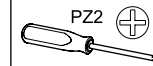
8x 173 

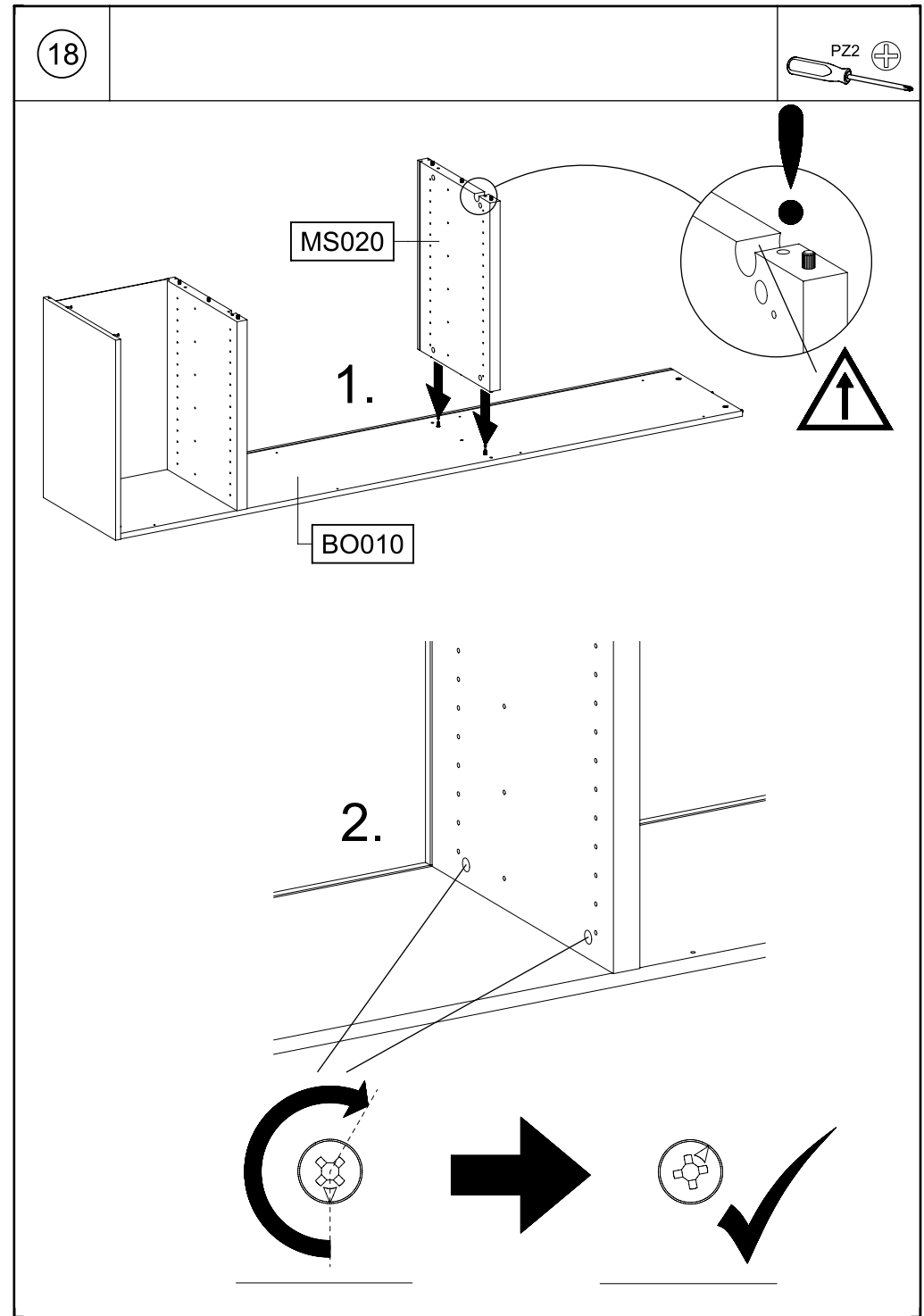
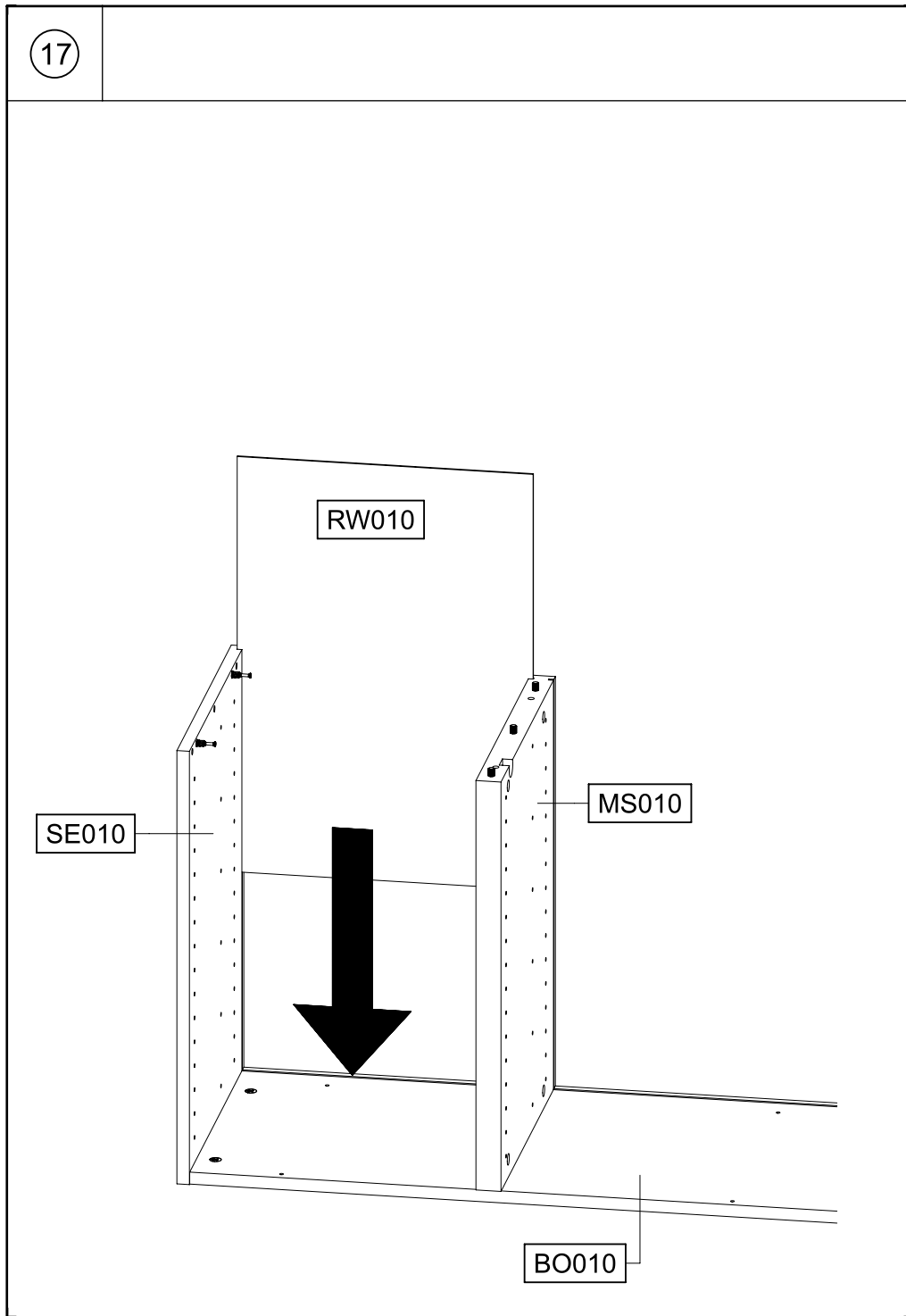


15

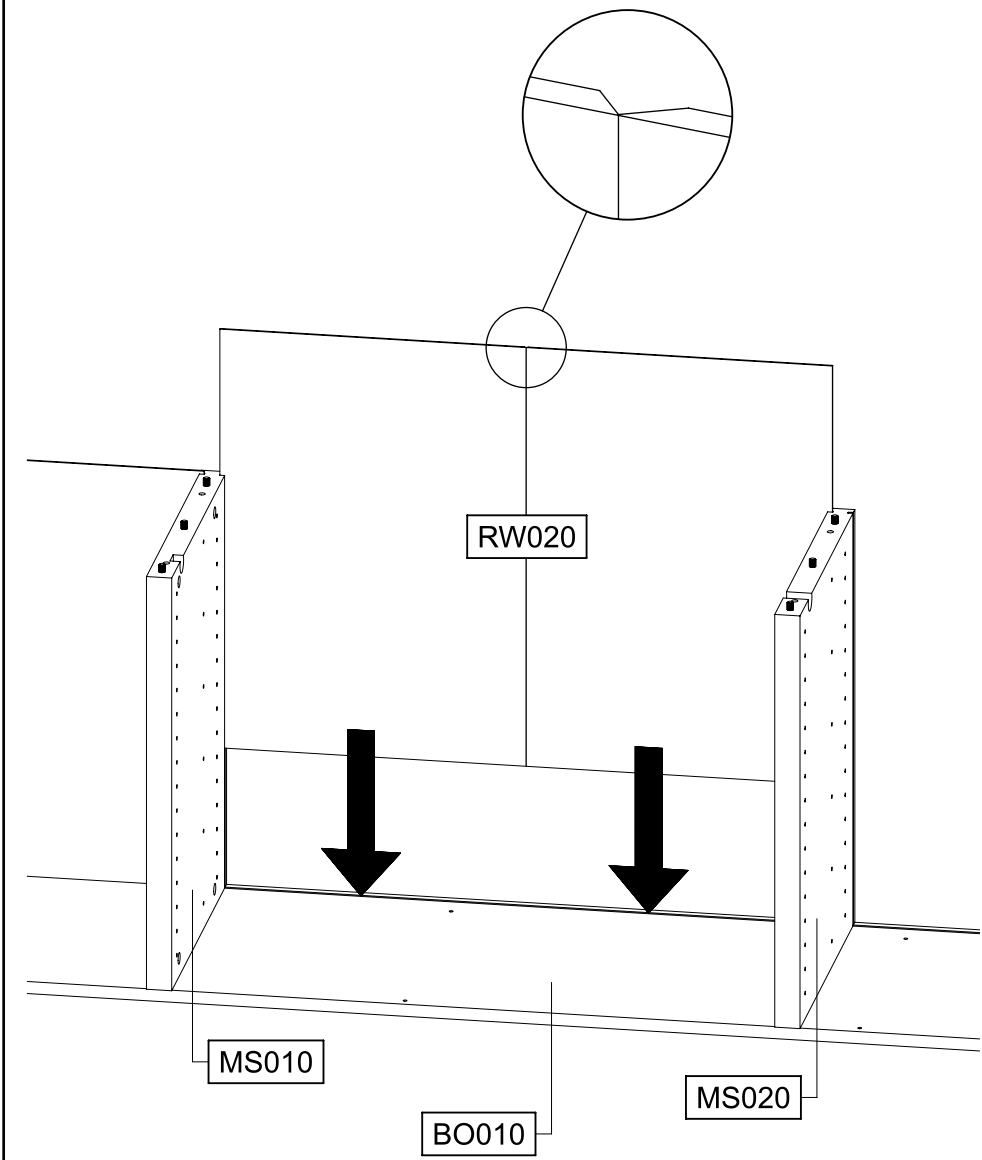


16

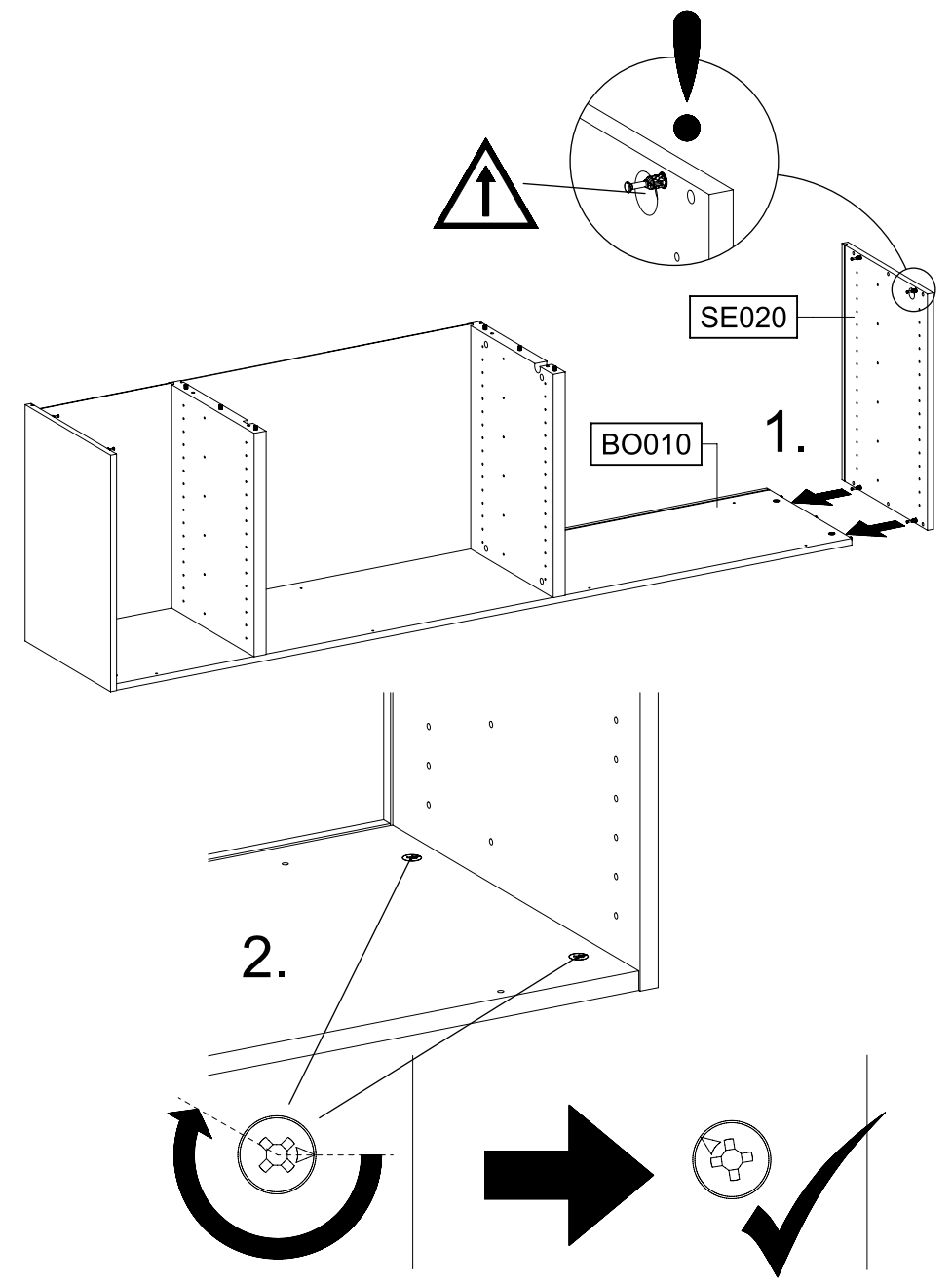
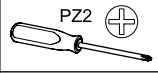




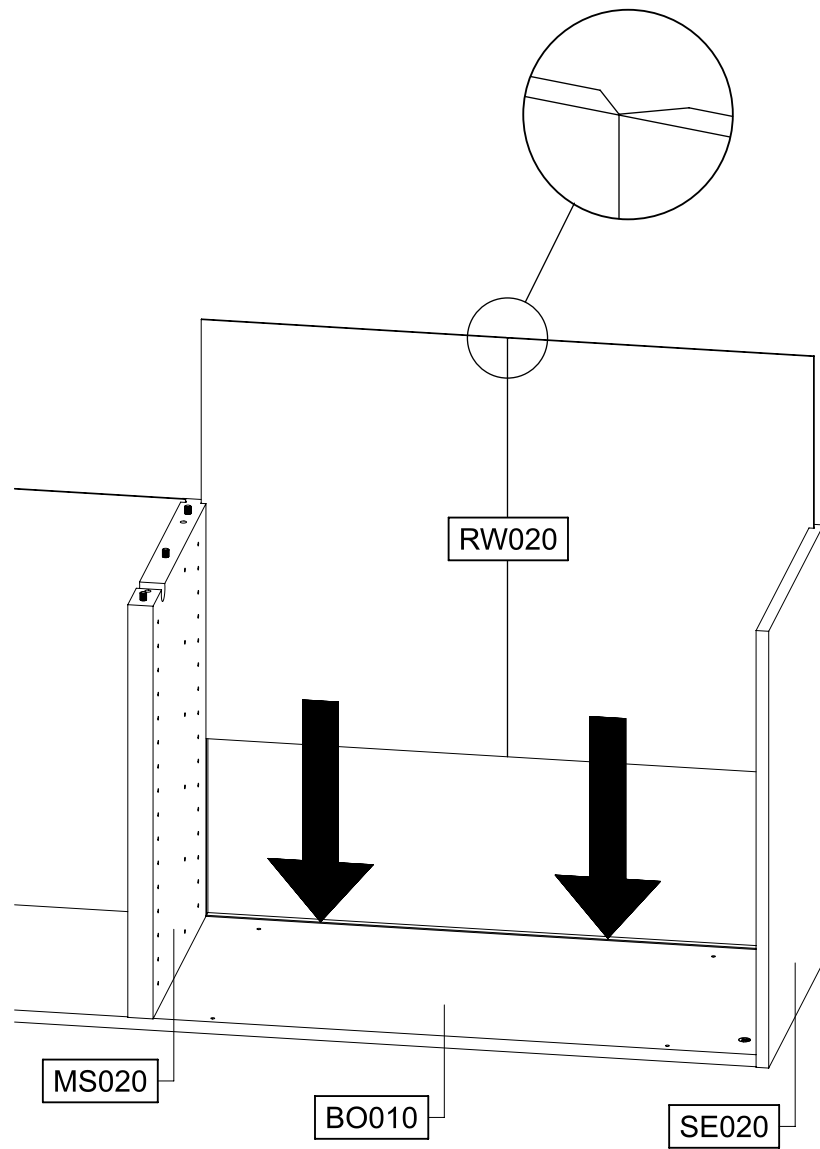
19



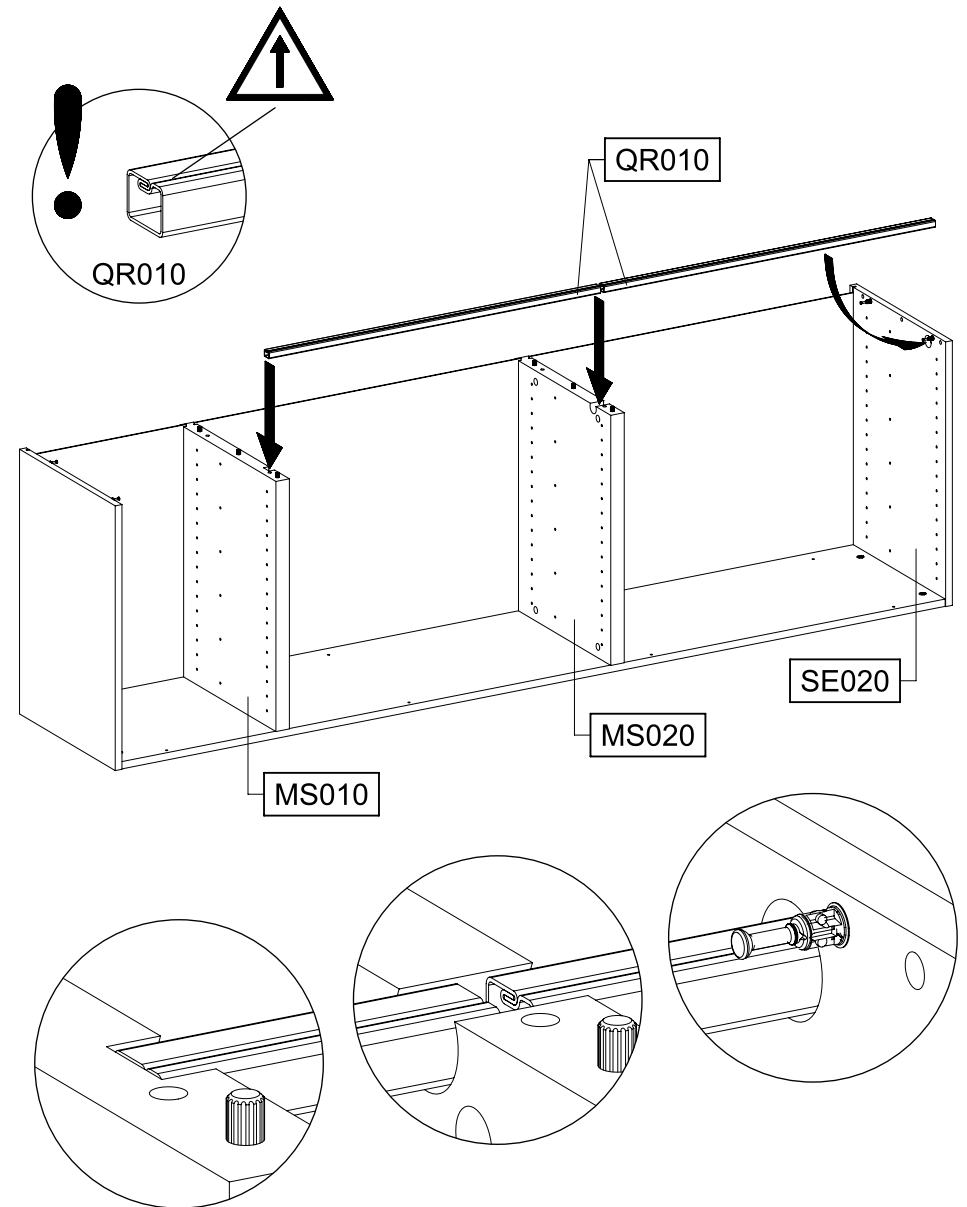
20

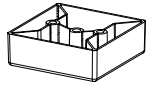


21

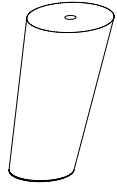


22

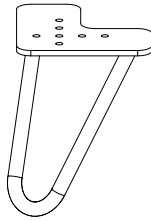




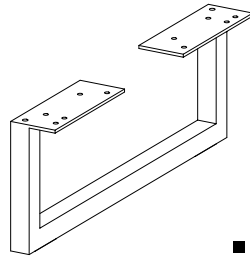
1207



1481

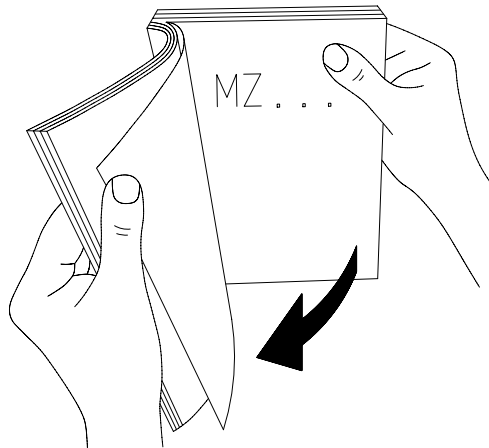


1345



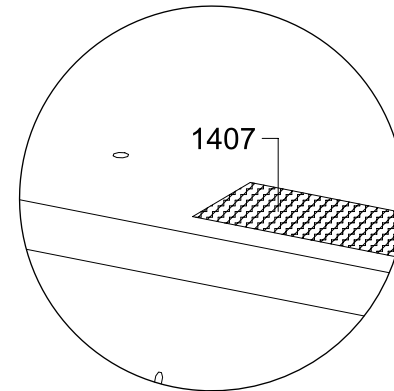
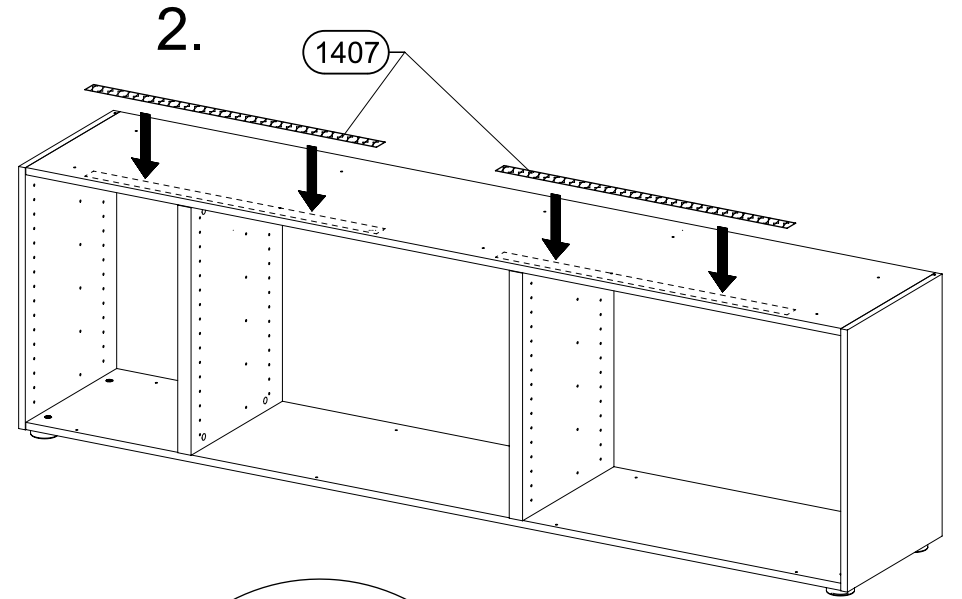
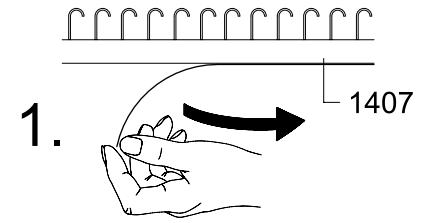
1348

...



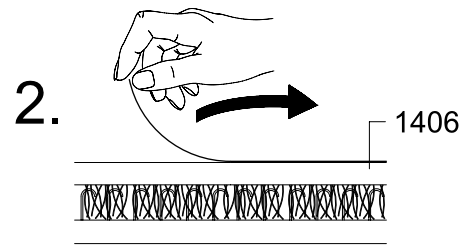
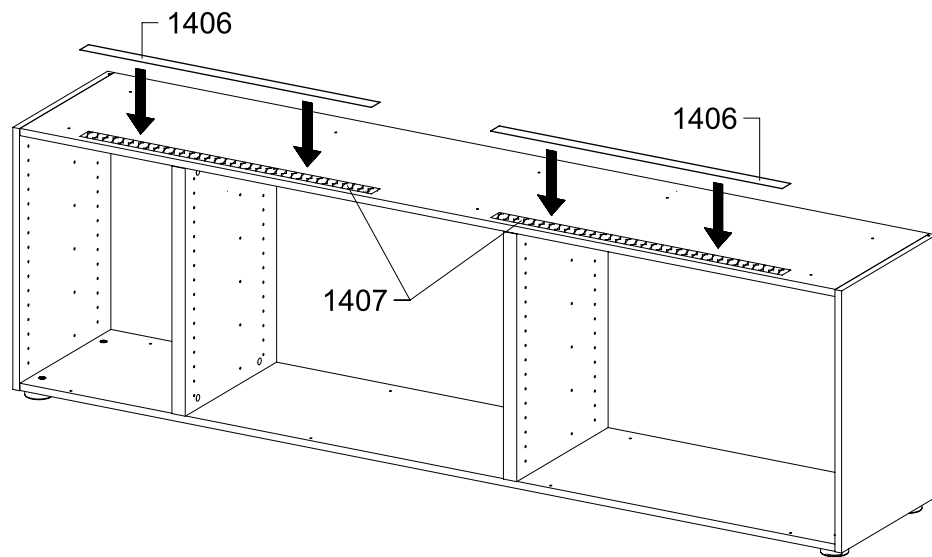
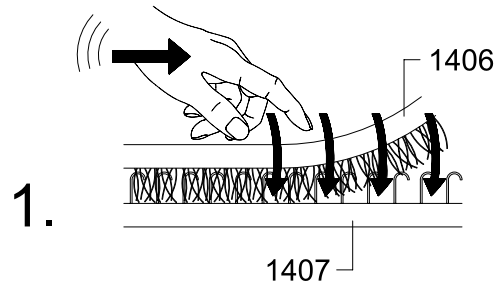
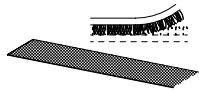
25

2x 1407

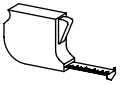


26

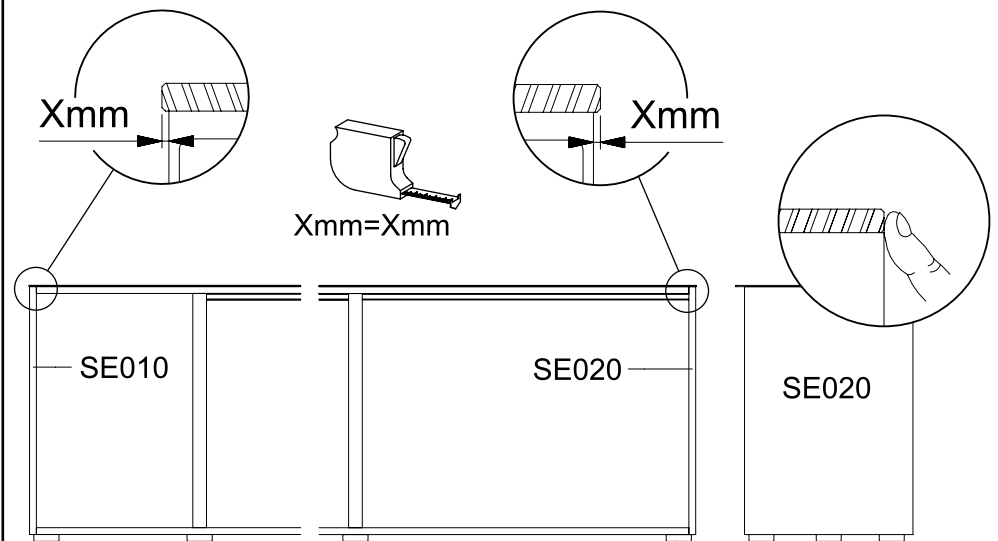
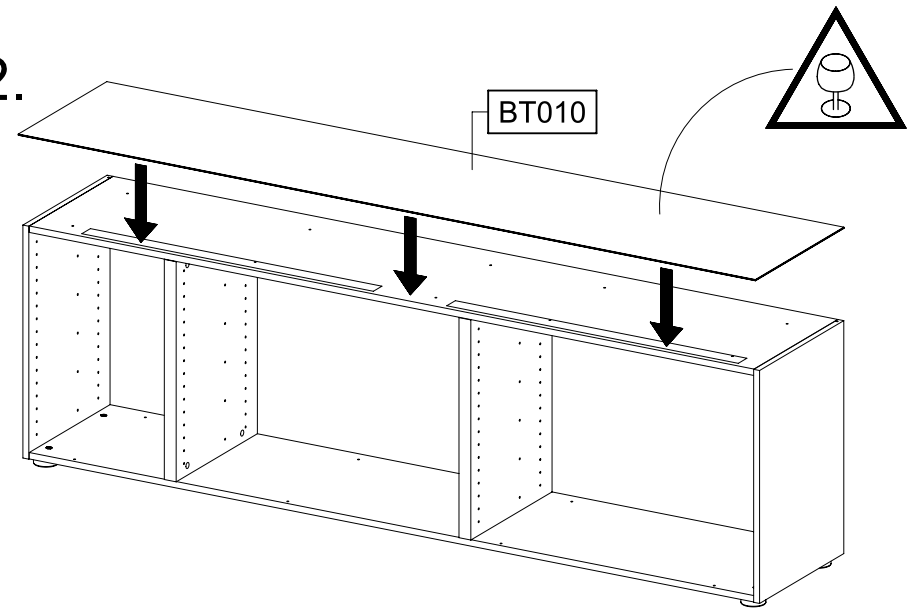
2x 1406



27

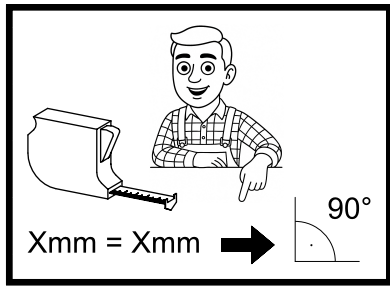
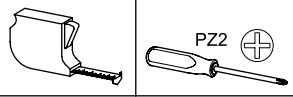


2.

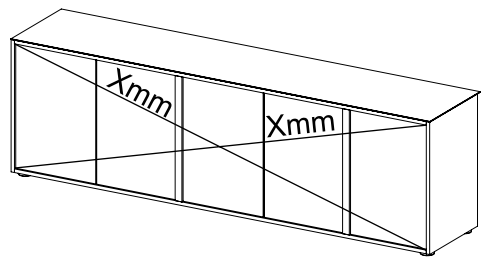


28

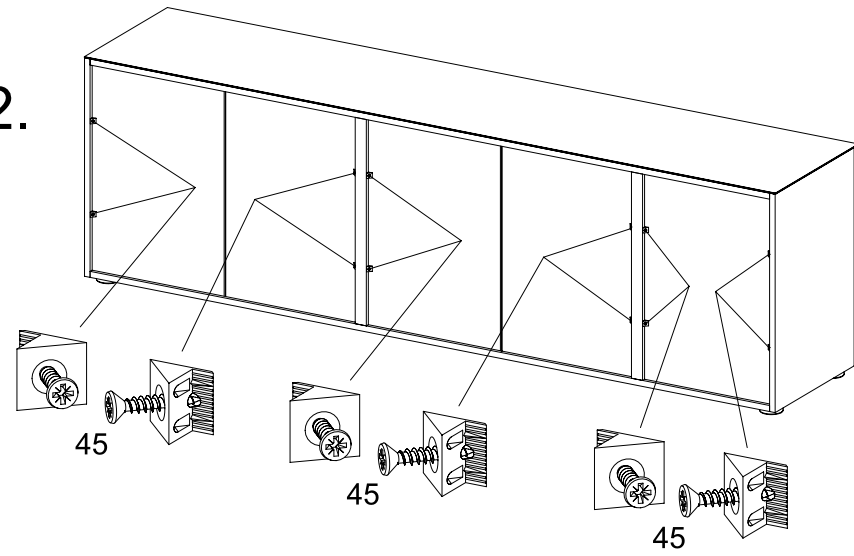
12x 



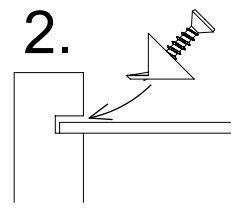
1.



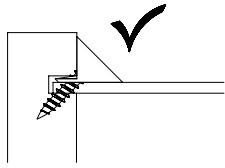
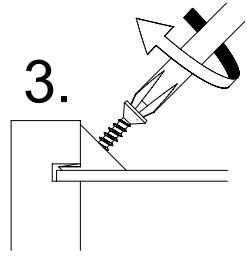
2.



2.



3.

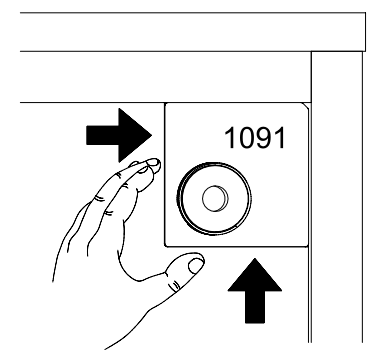
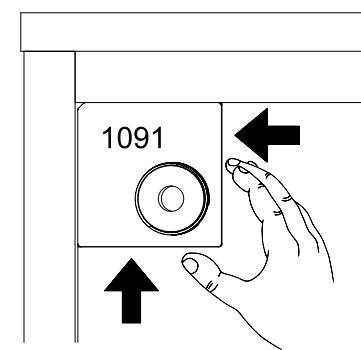
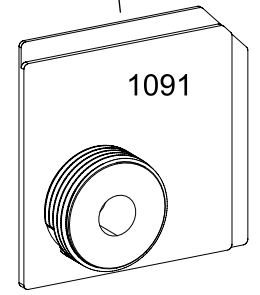
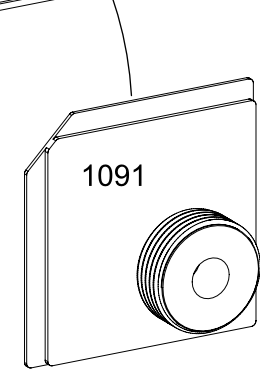
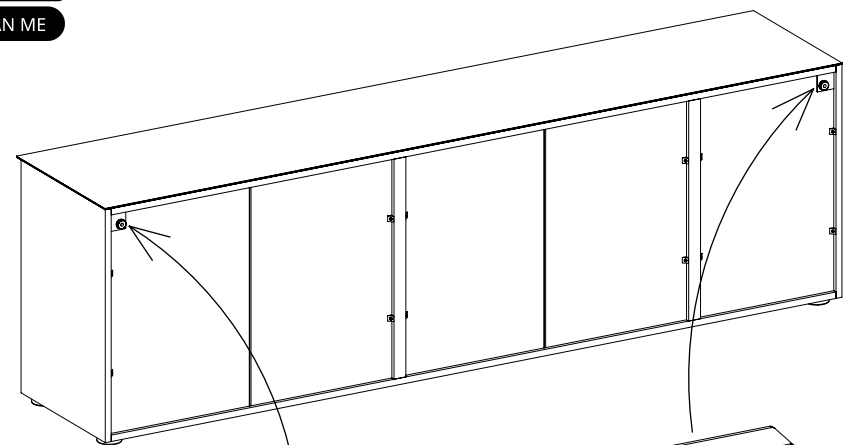


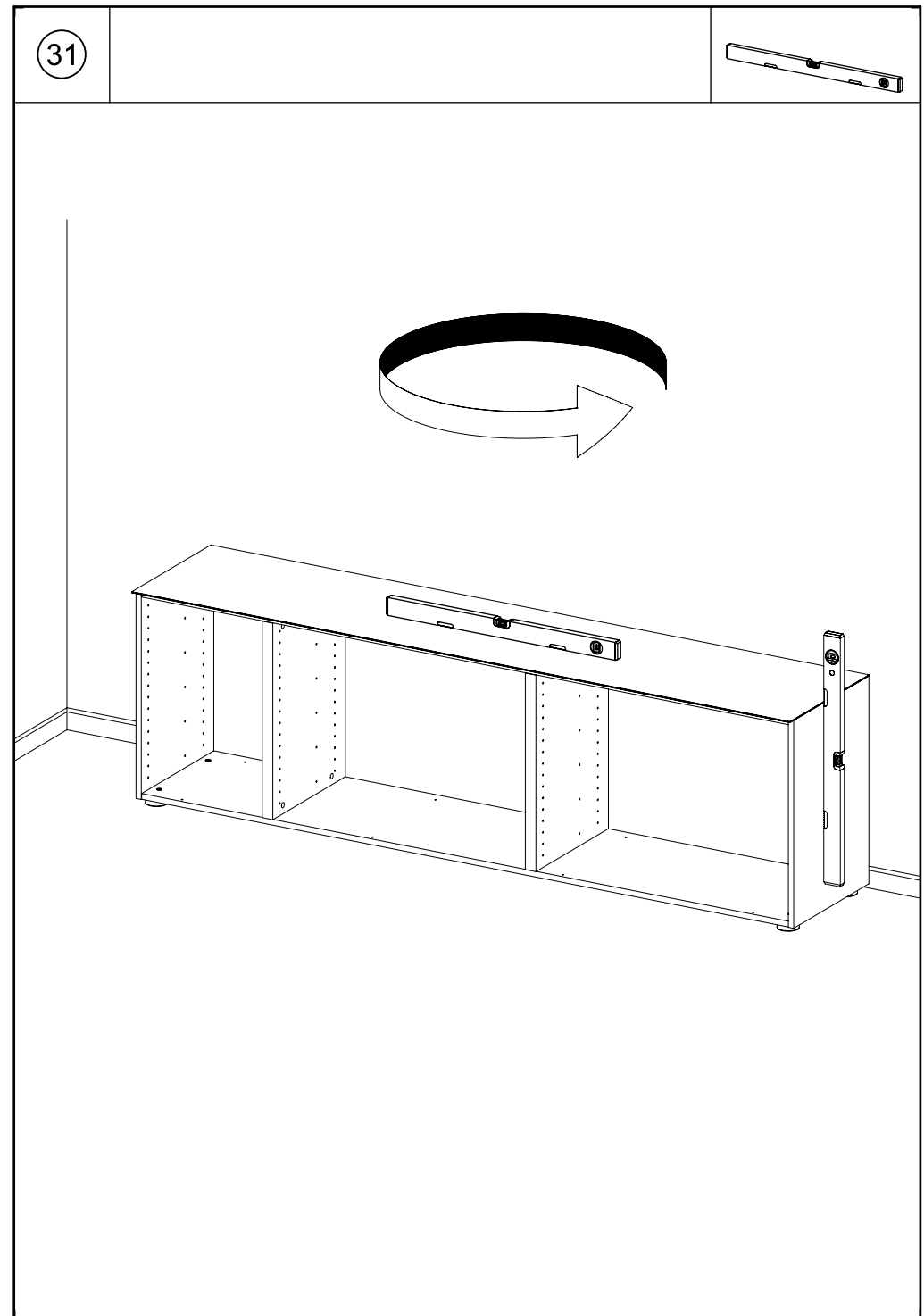
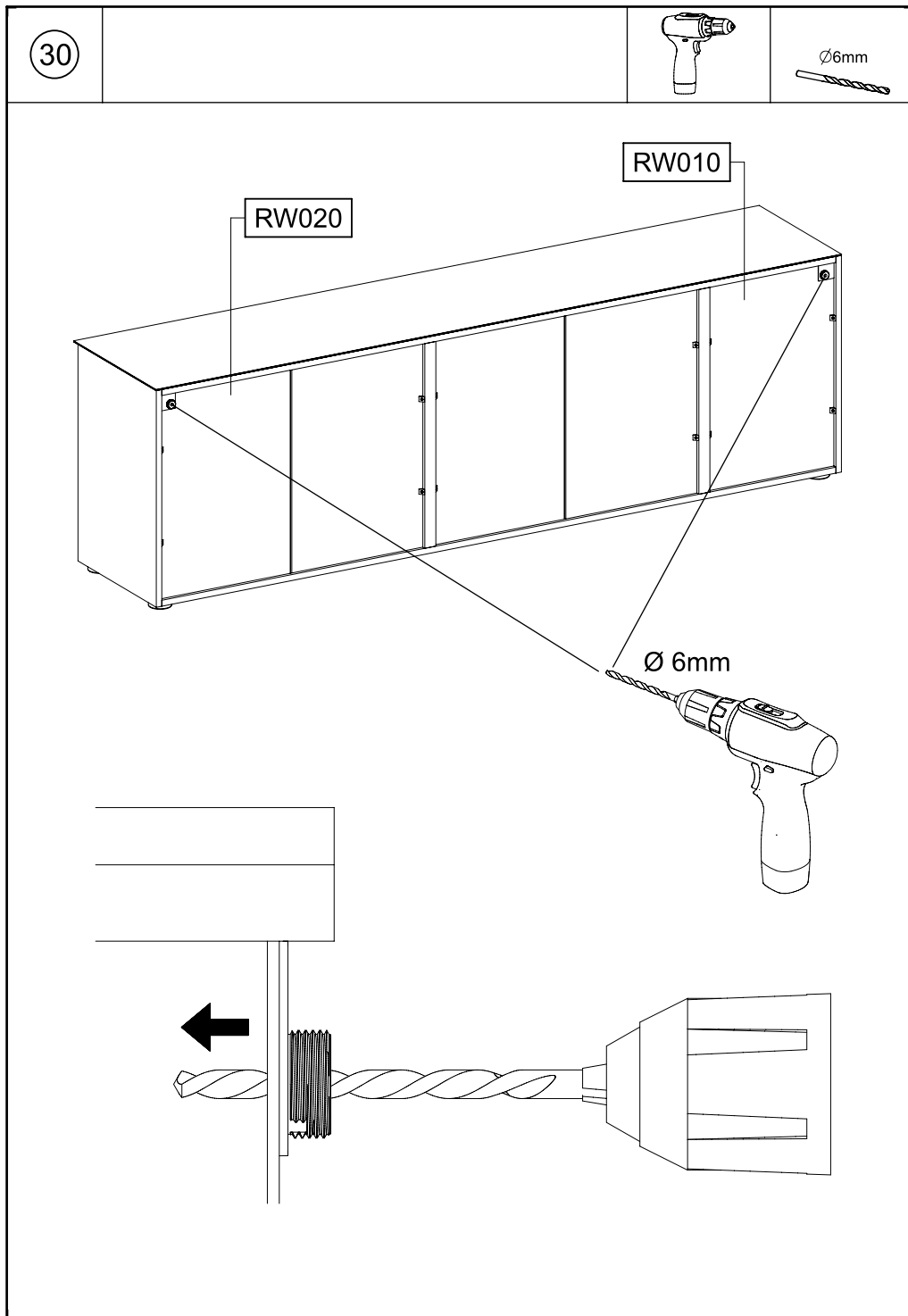
29

2x 



SCAN ME





32

2x

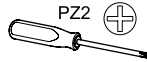
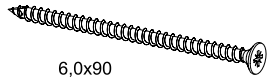
1093



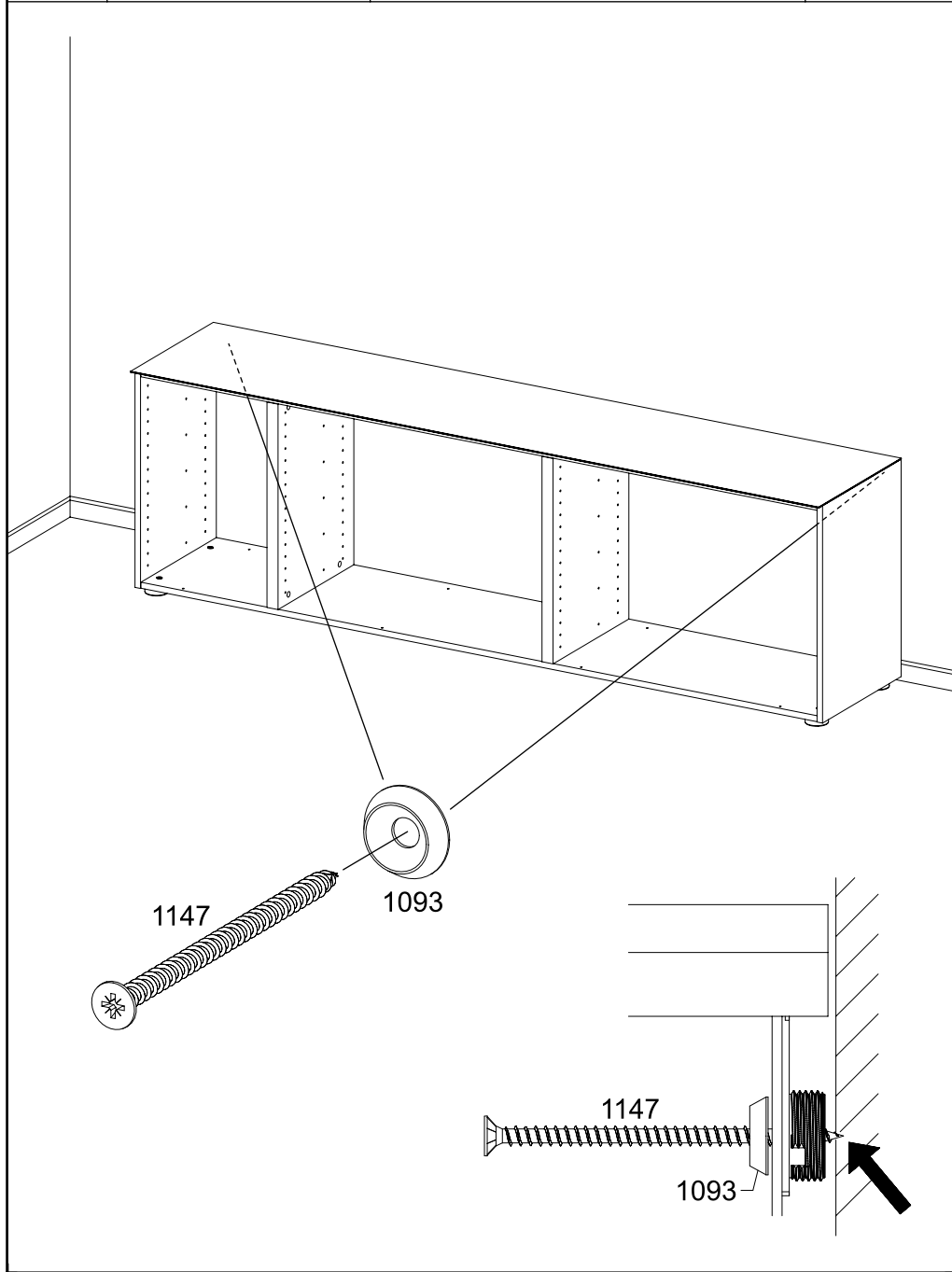
2x

1147

6,0x90



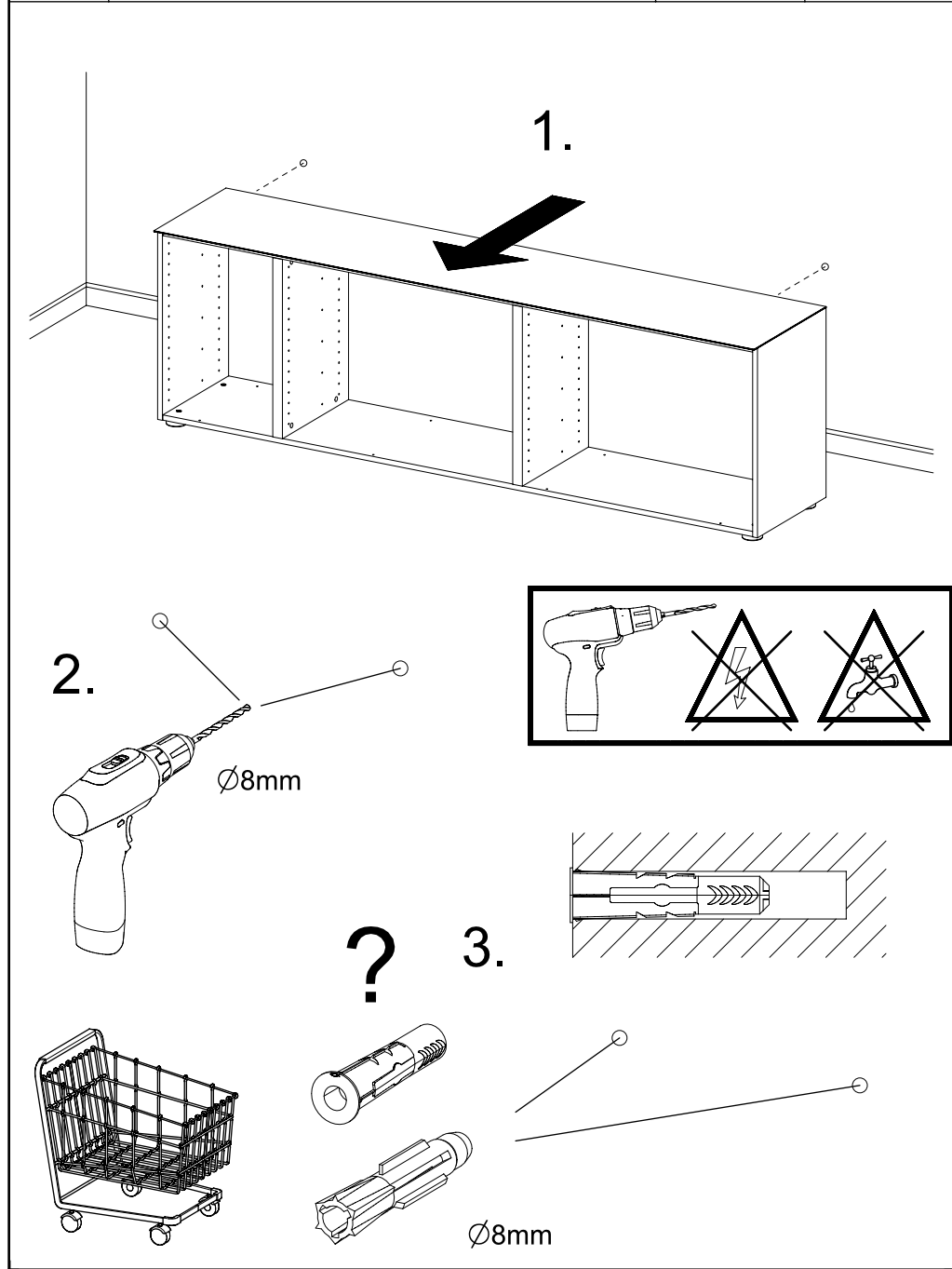
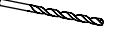
PZ2



33

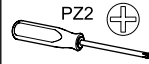


Ø8mm

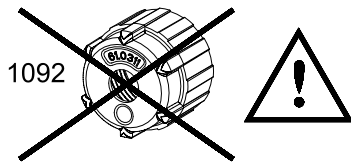
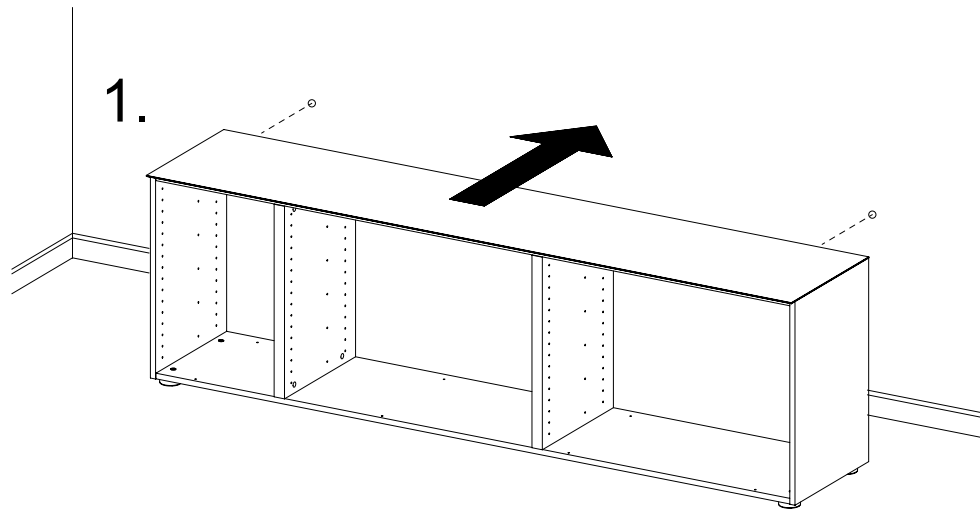


34

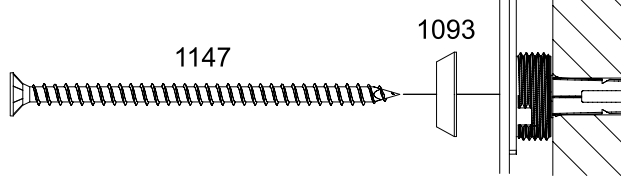
2x 1092



1.



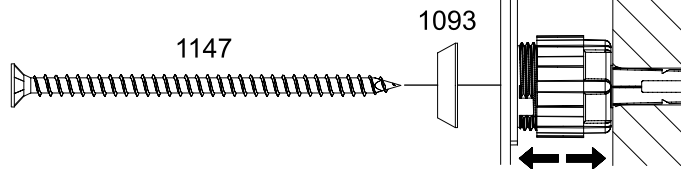
2.



10-15mm



2.

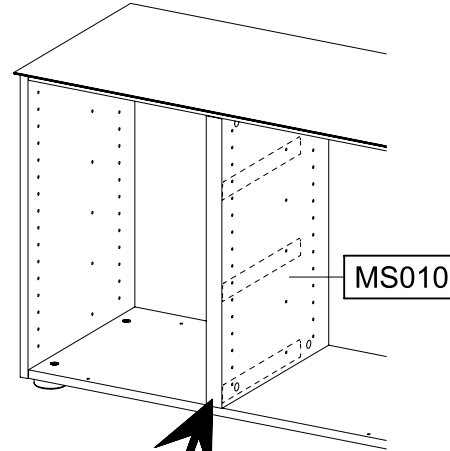
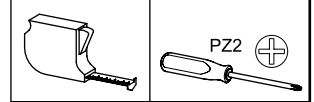
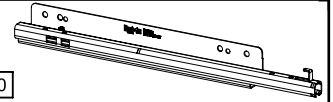


35

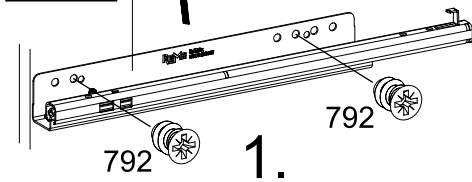
6x 792 6,3x9

6x 836 4x15

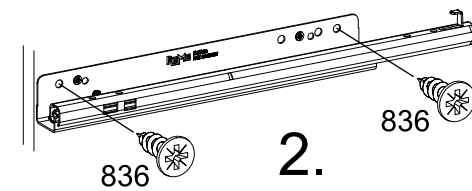
3x UF010



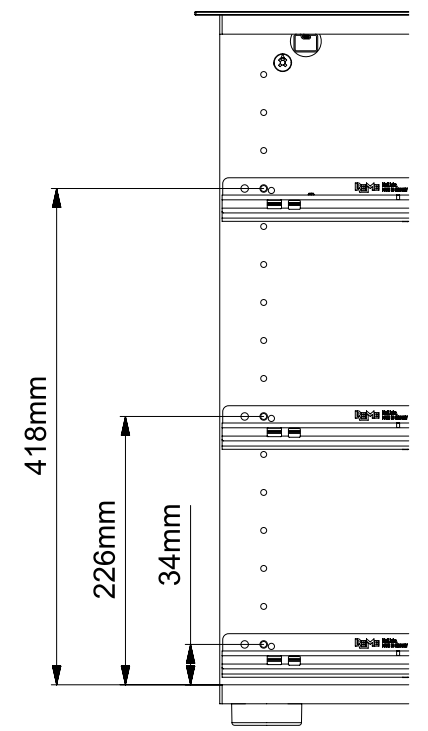
UF010



1.



2.

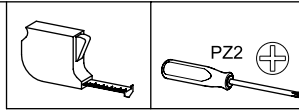
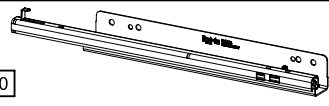


36

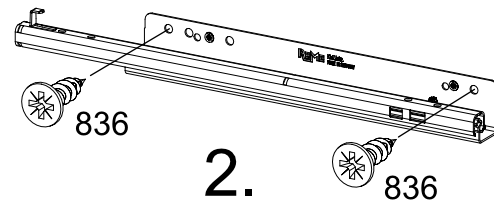
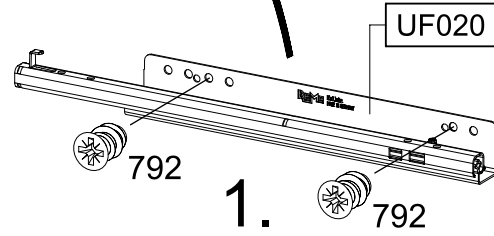
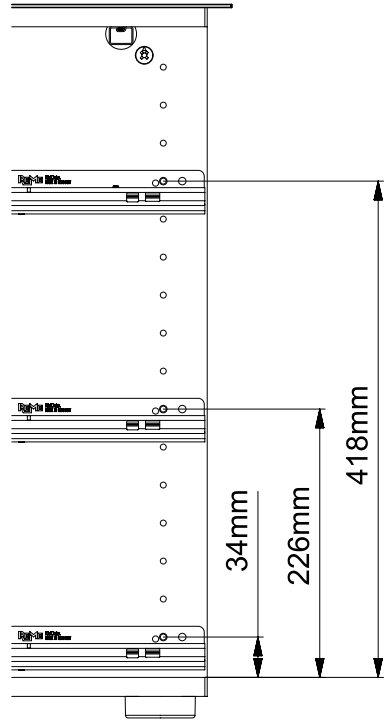
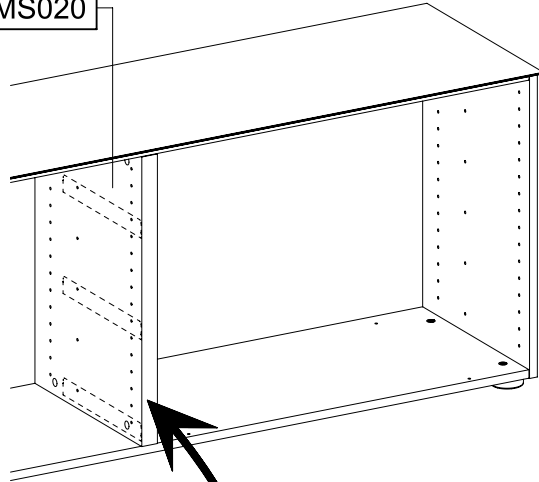
6x 792 6,3x9

6x 836 4x15

3x UF020

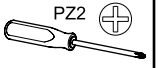
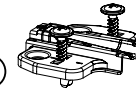


MS020

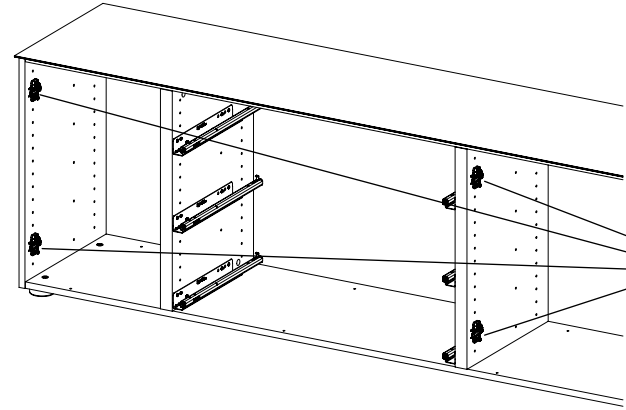


37

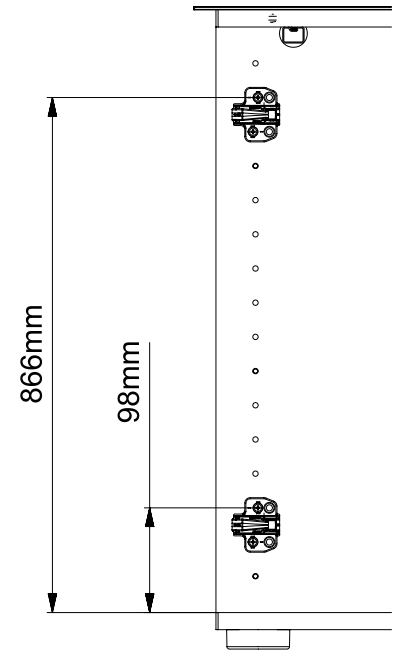
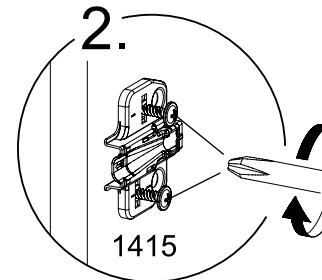
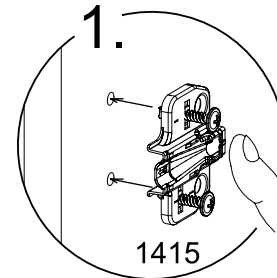
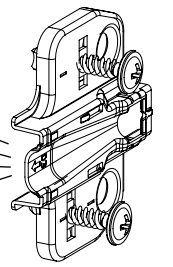
4x 1415



SCAN ME

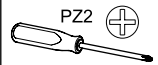
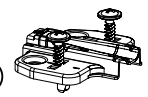


1415

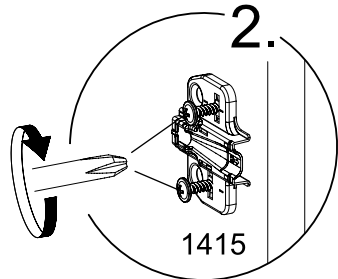
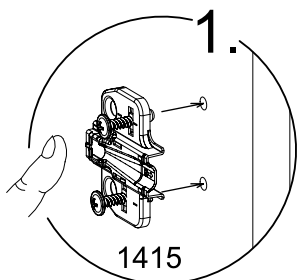
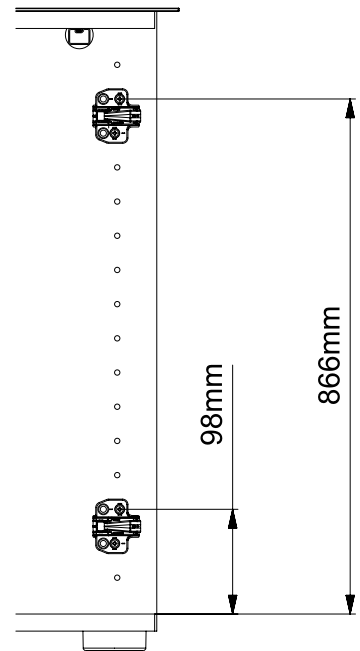
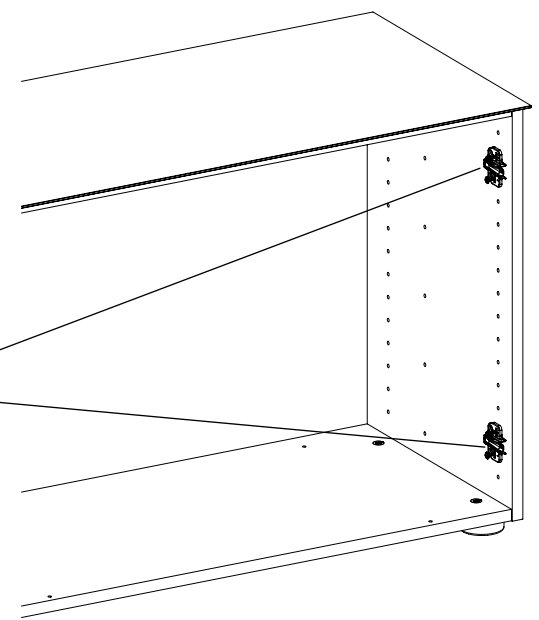


38

2x 1415

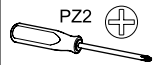


1415



39

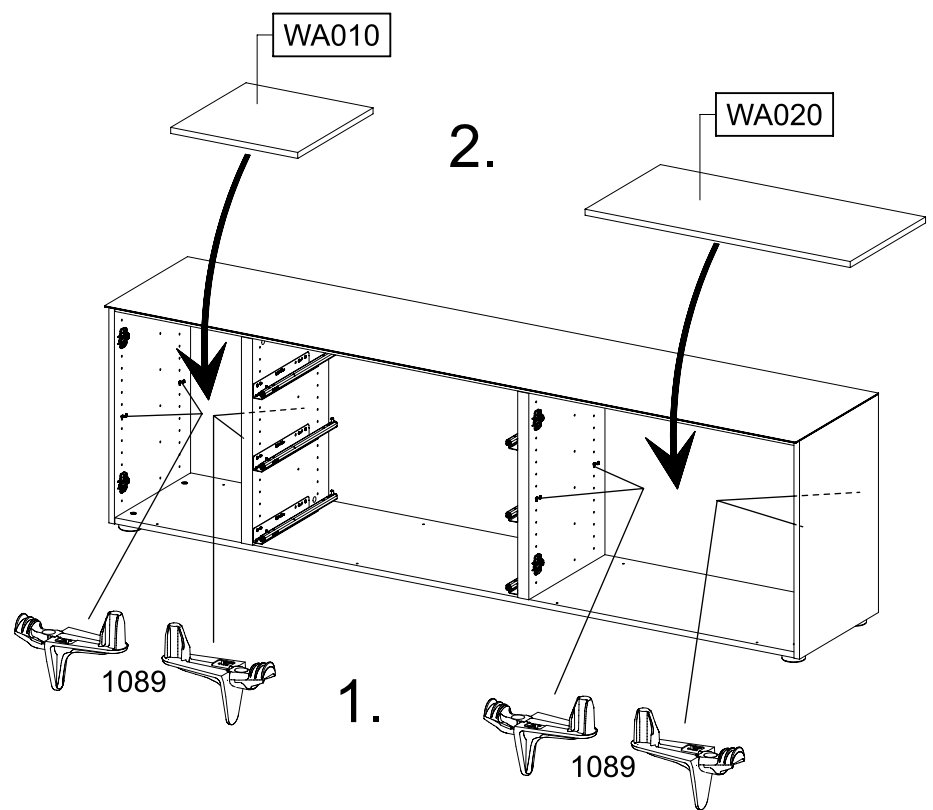
8x 1089



WA010

WA020

2.



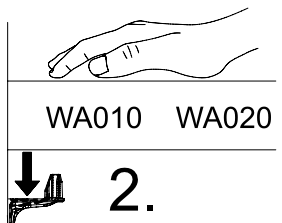
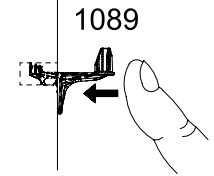
1089

1.

1089



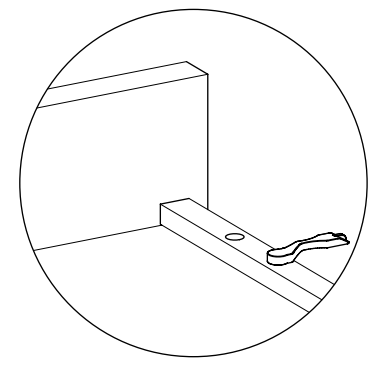
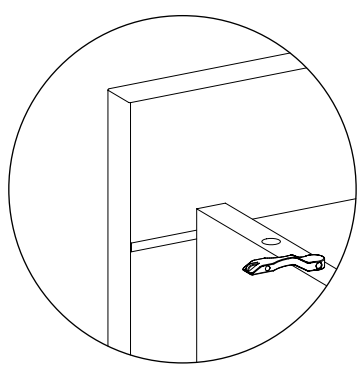
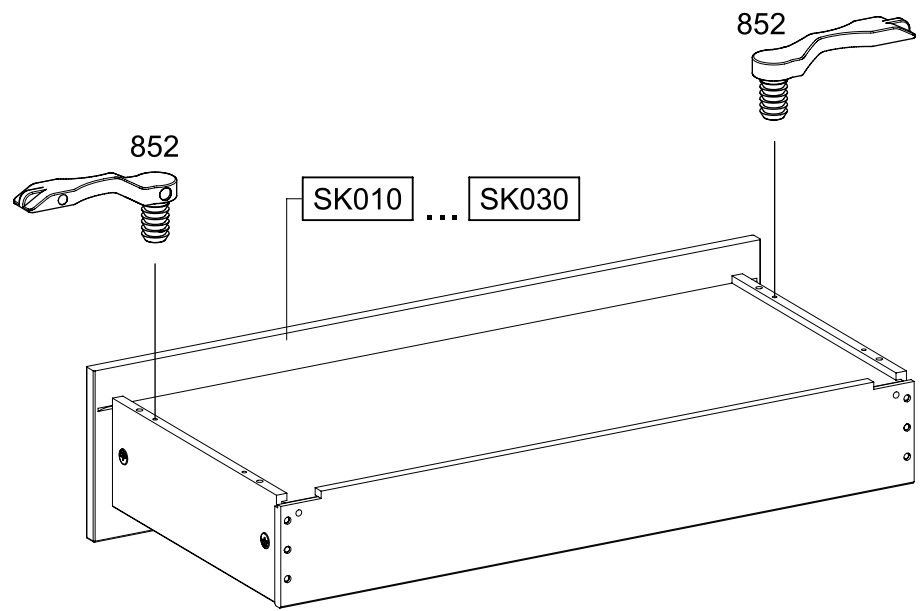
1.



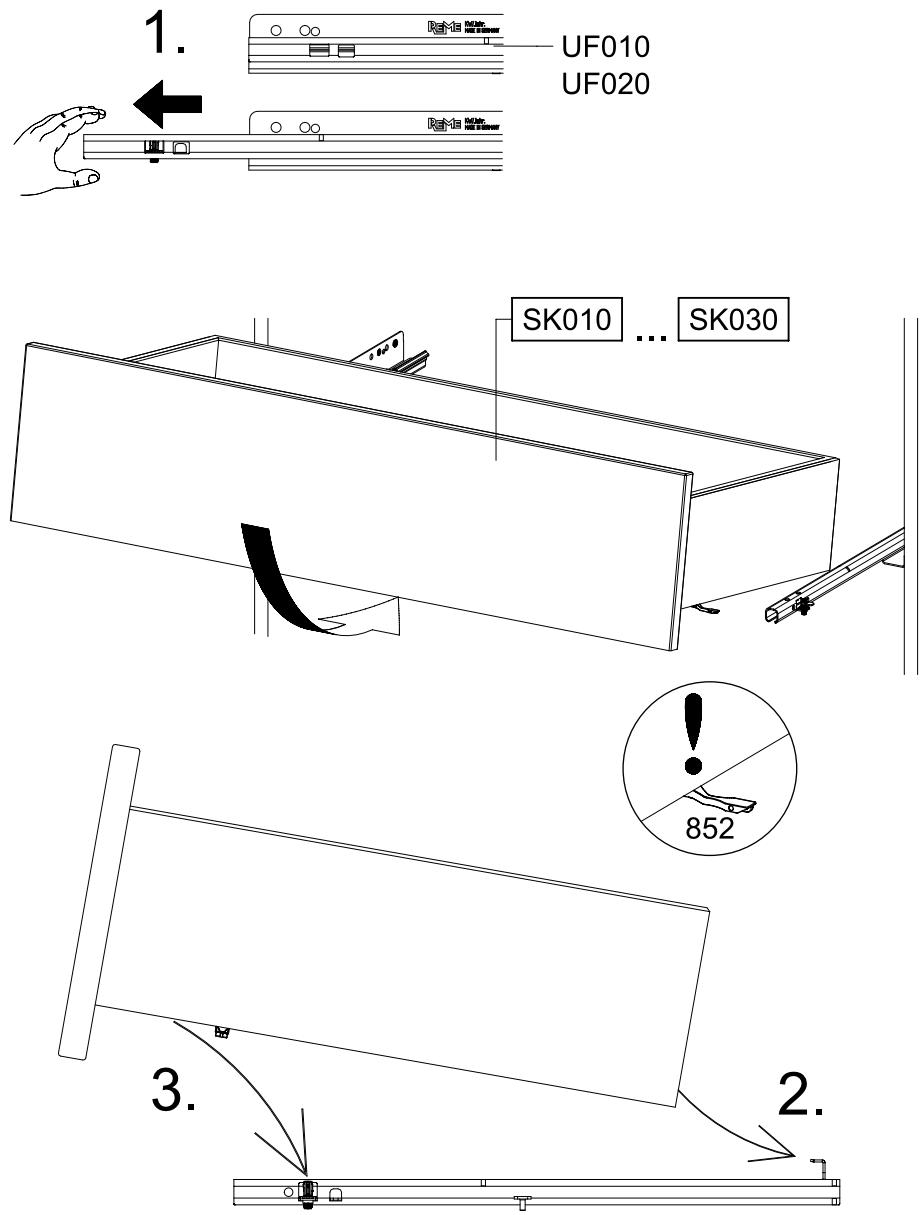
2.

40

6x 852 

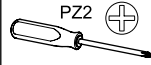


41

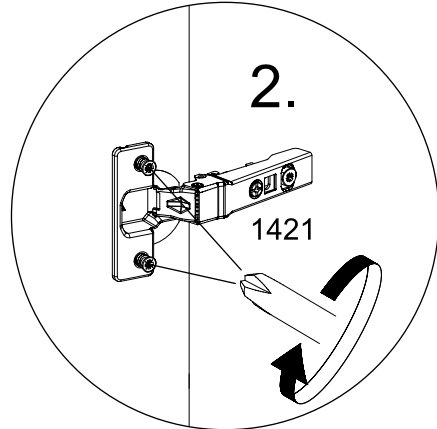
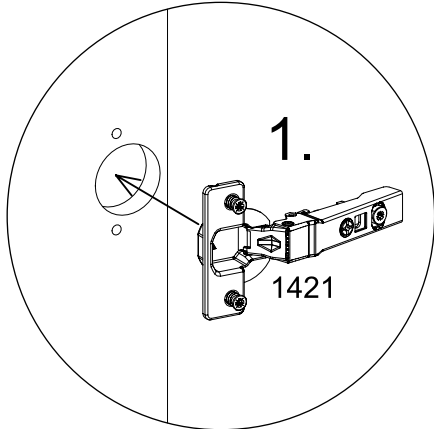
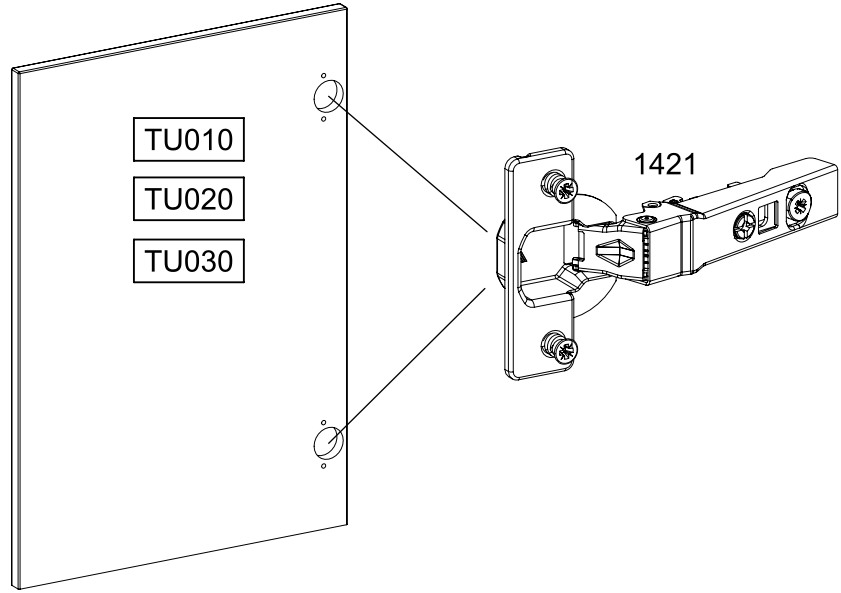


42

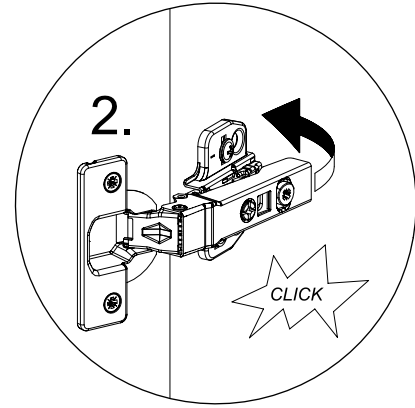
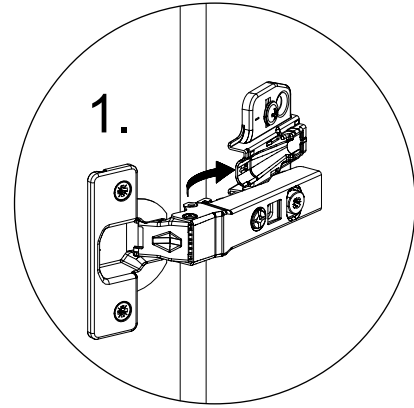
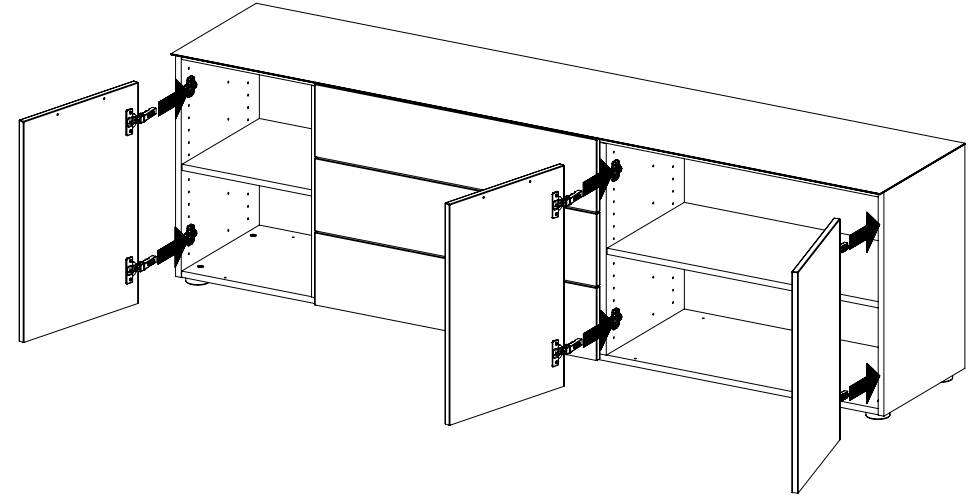
6x 1421



SCAN ME



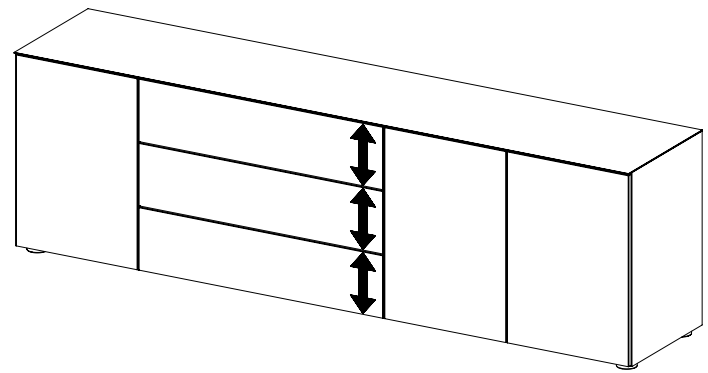
43



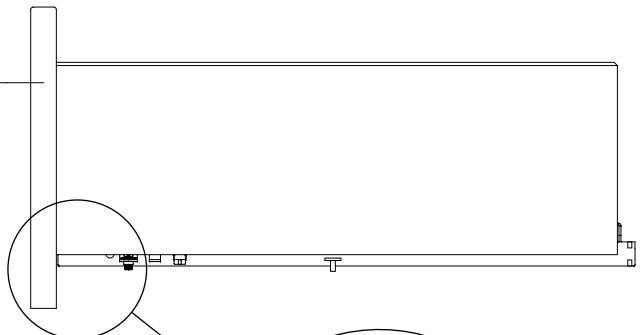
44



SCAN ME

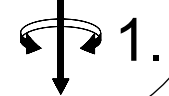
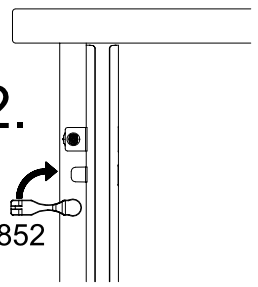


SK010
SK020
SK030



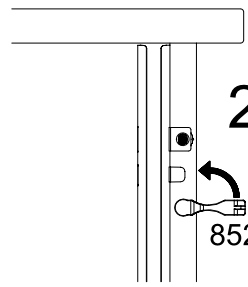
2.

852



2.

852



45



SCAN ME

