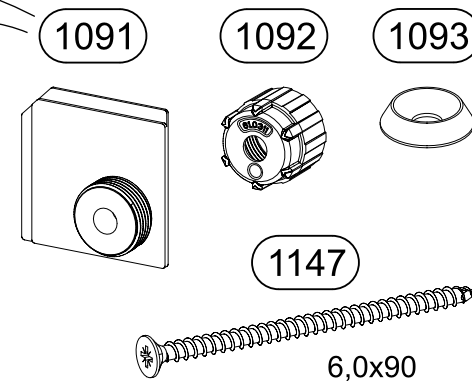
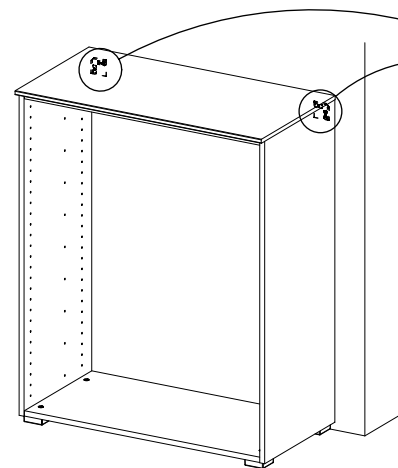
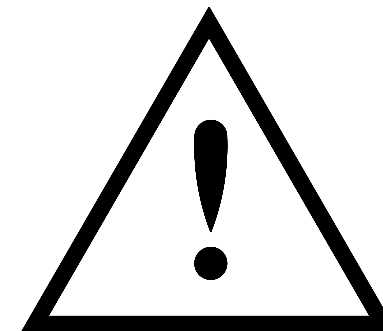
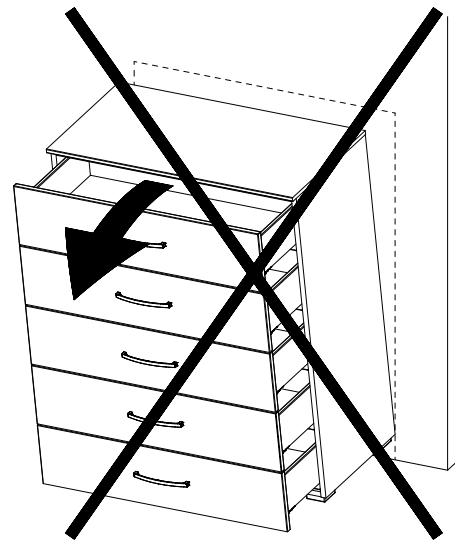
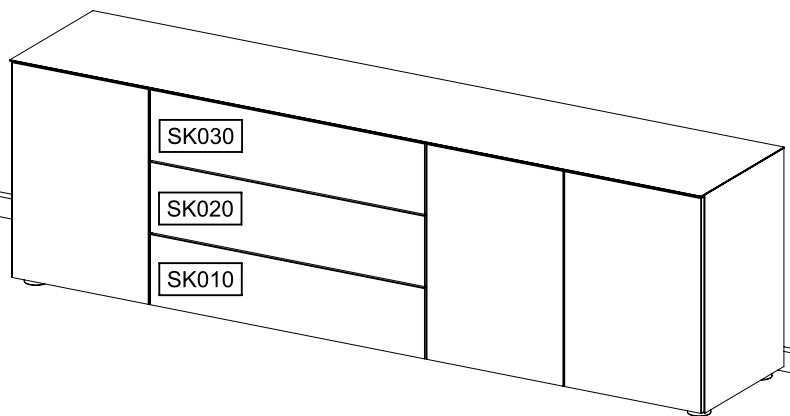
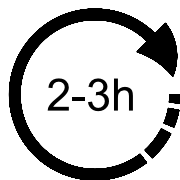
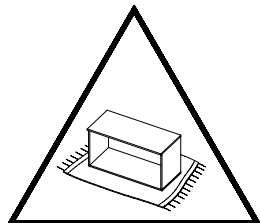
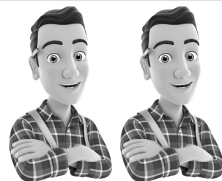
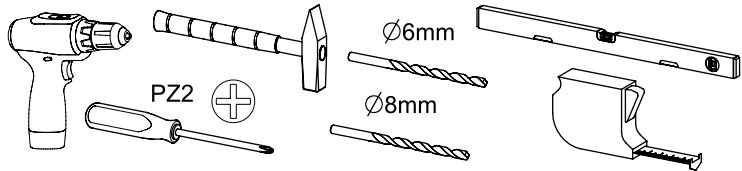


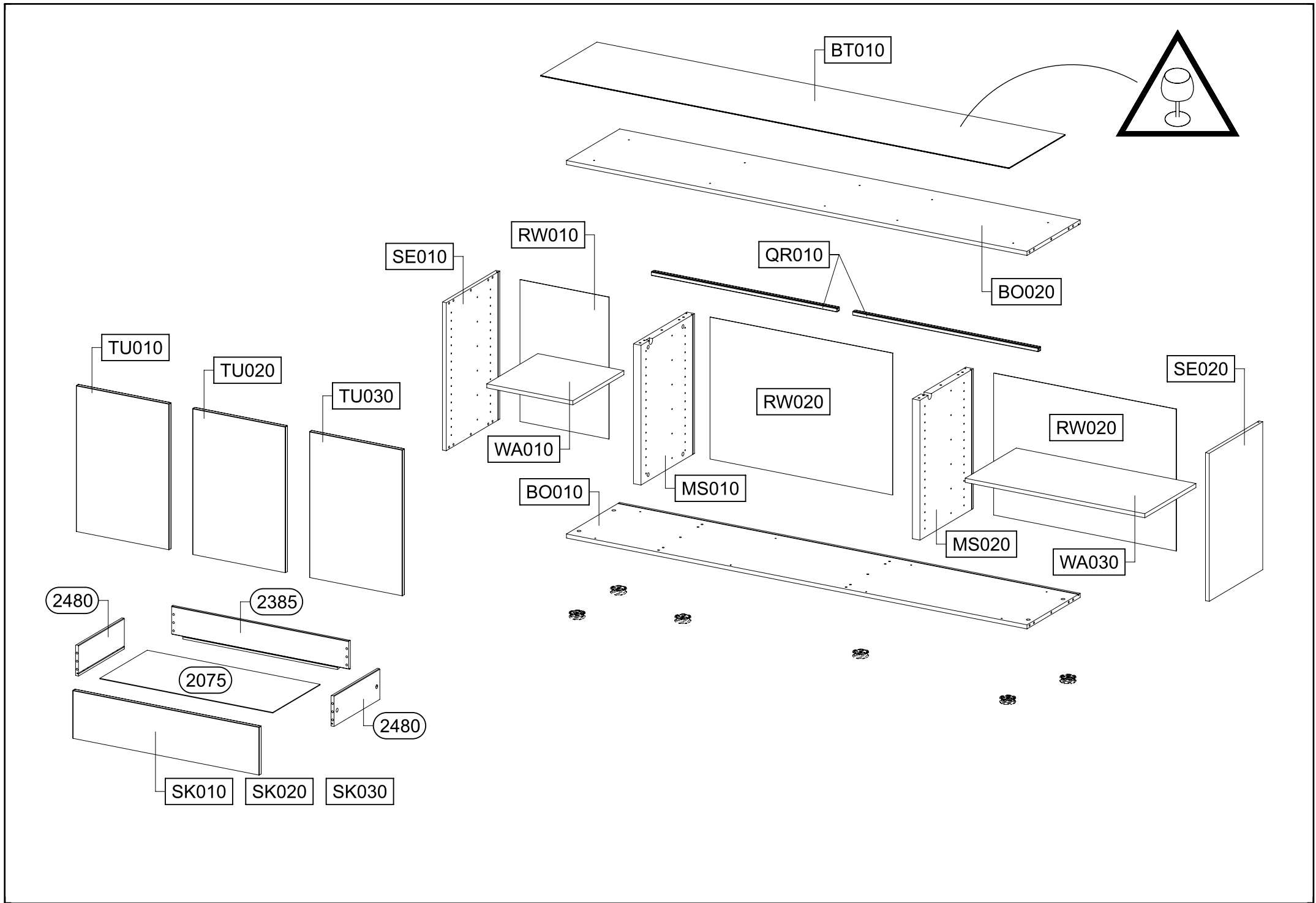
M3174_01





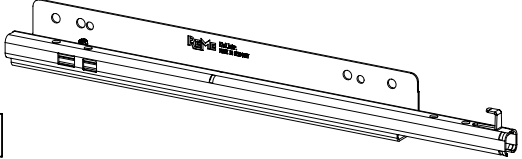

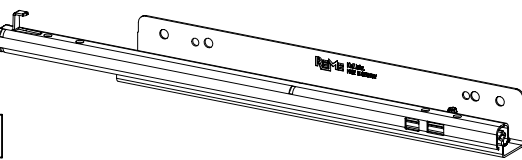


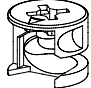
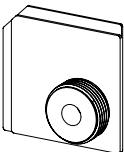
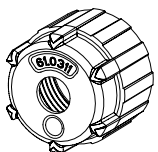

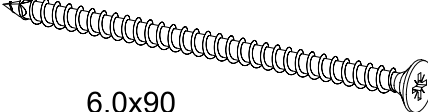
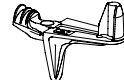
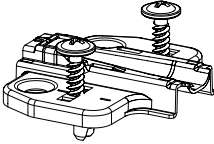
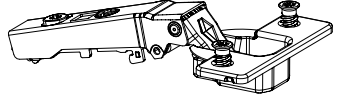
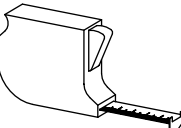
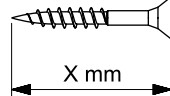
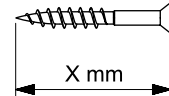
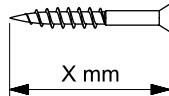


VIDEO

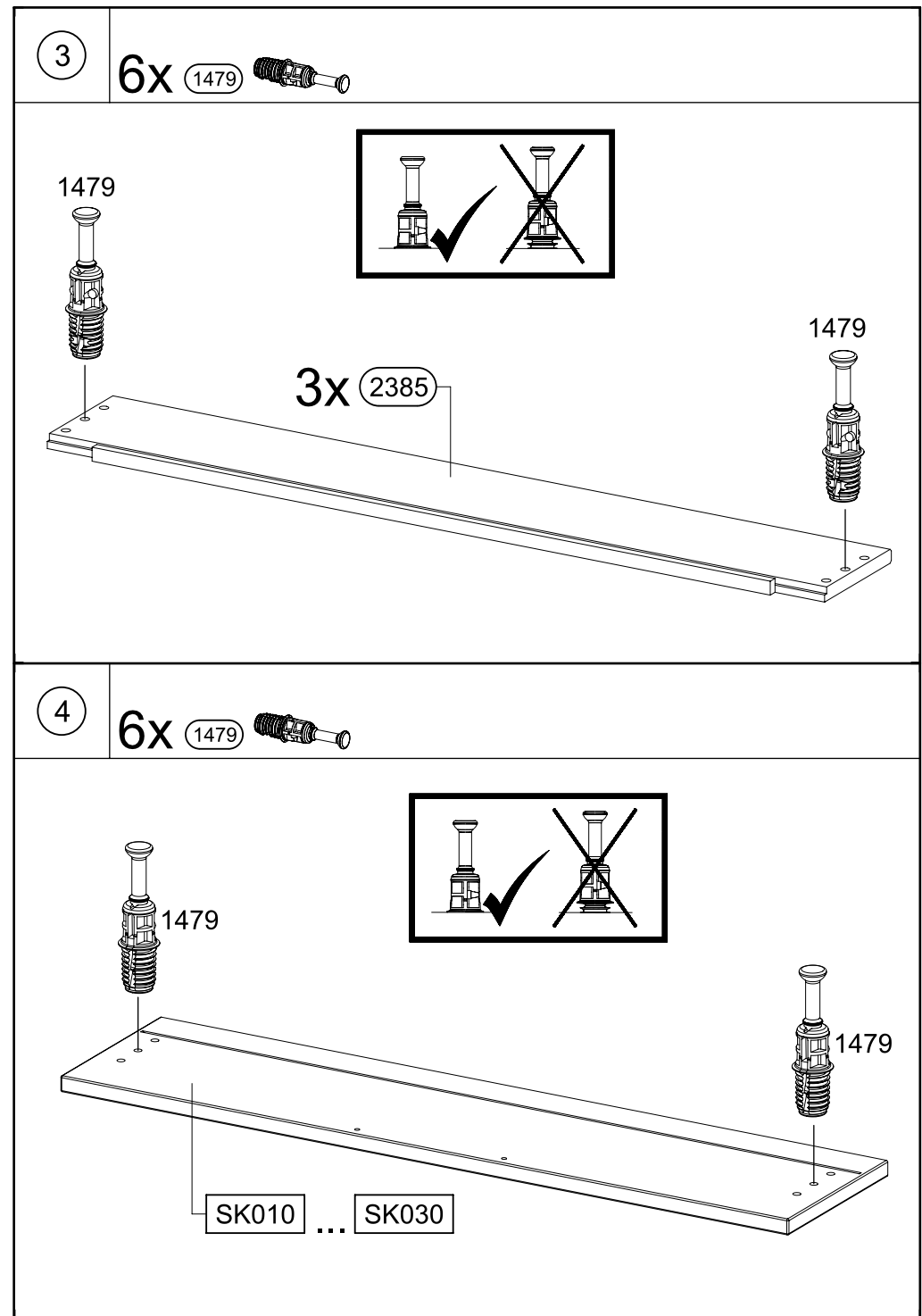
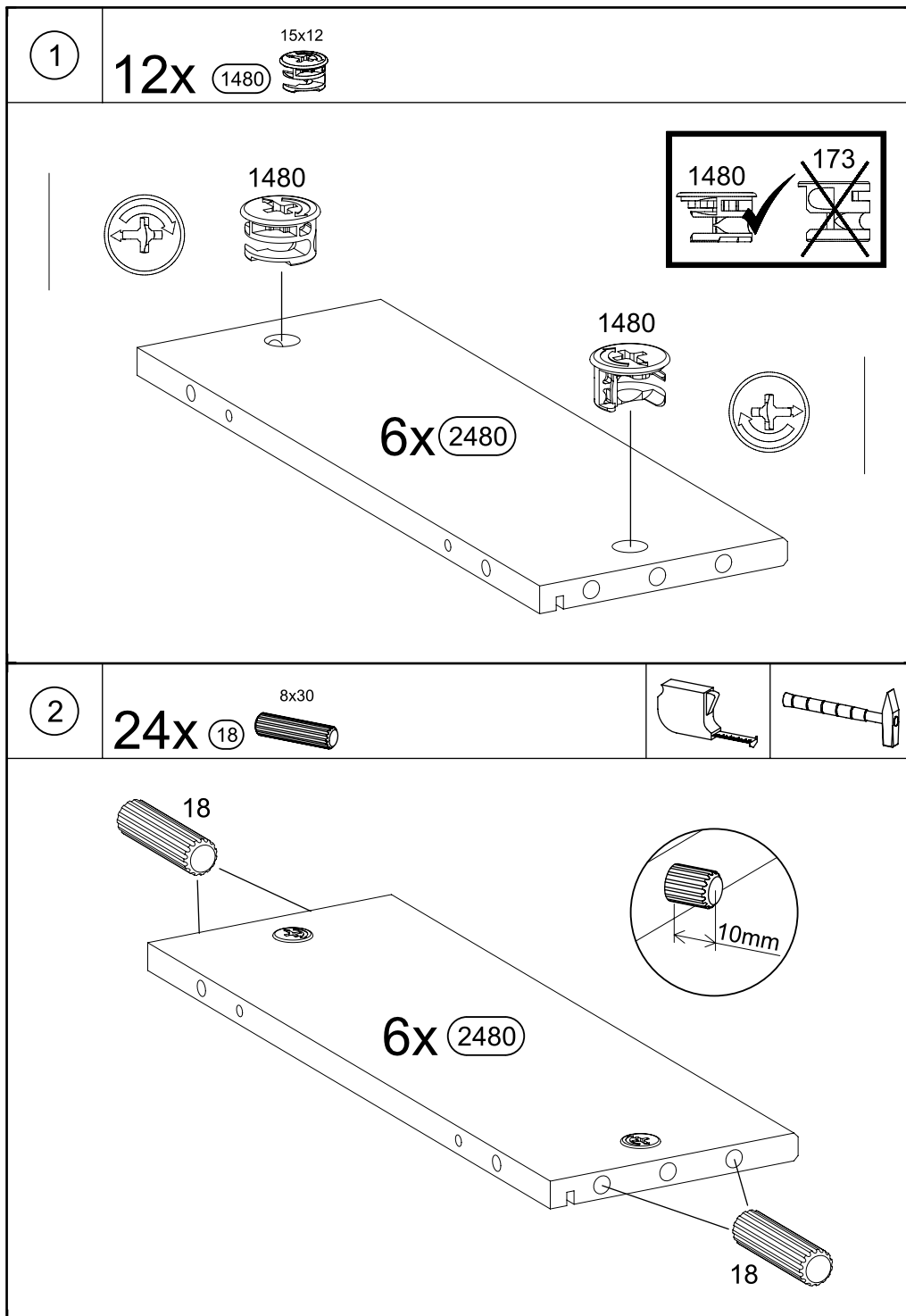


SCAN ME



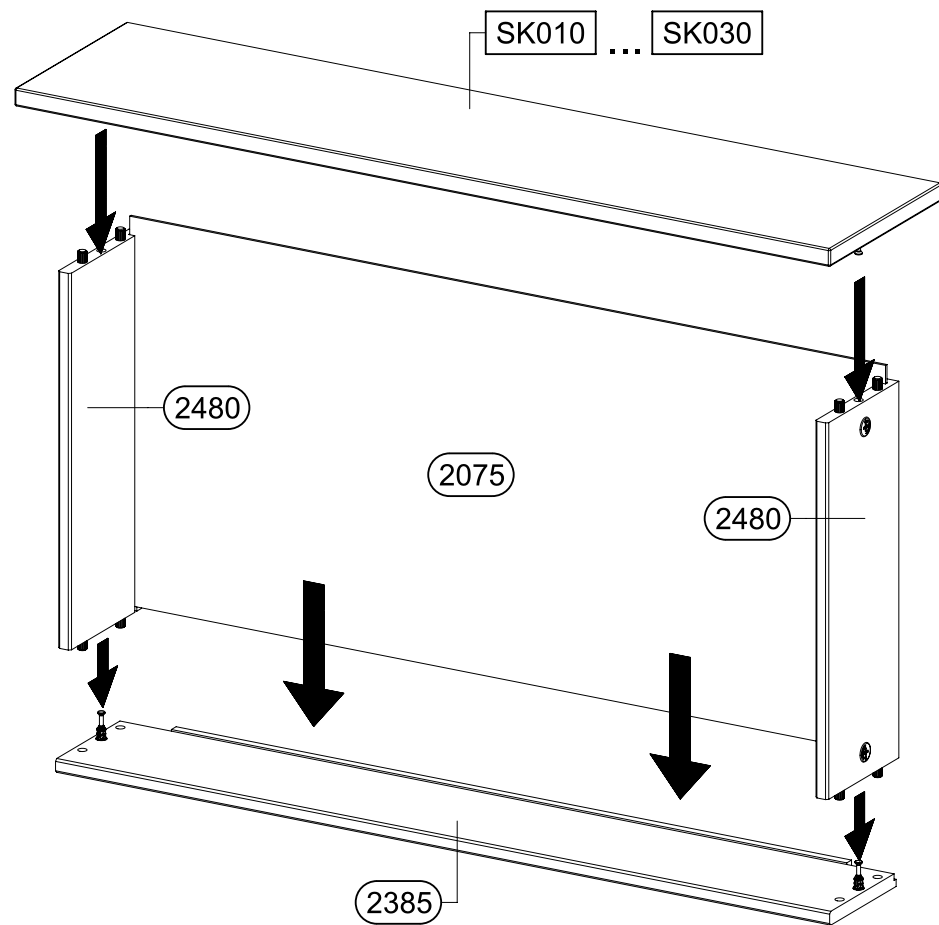
12x 4x15 836 	48x 8x30 18 	12x 6,3x9 792 	12x 15x12 1480 
3x UF010 	8x 4x25 240 	3x UF020 	
28x 1479 	6x 852 	16x 173 	
2x 1091 	2x 1092 	2x 1093 	
2x 1147 6,0x90 	8x 1089 		
6x 1415 	6x 1421 		
			

2x 1406 	2x 1407 
	
	
	

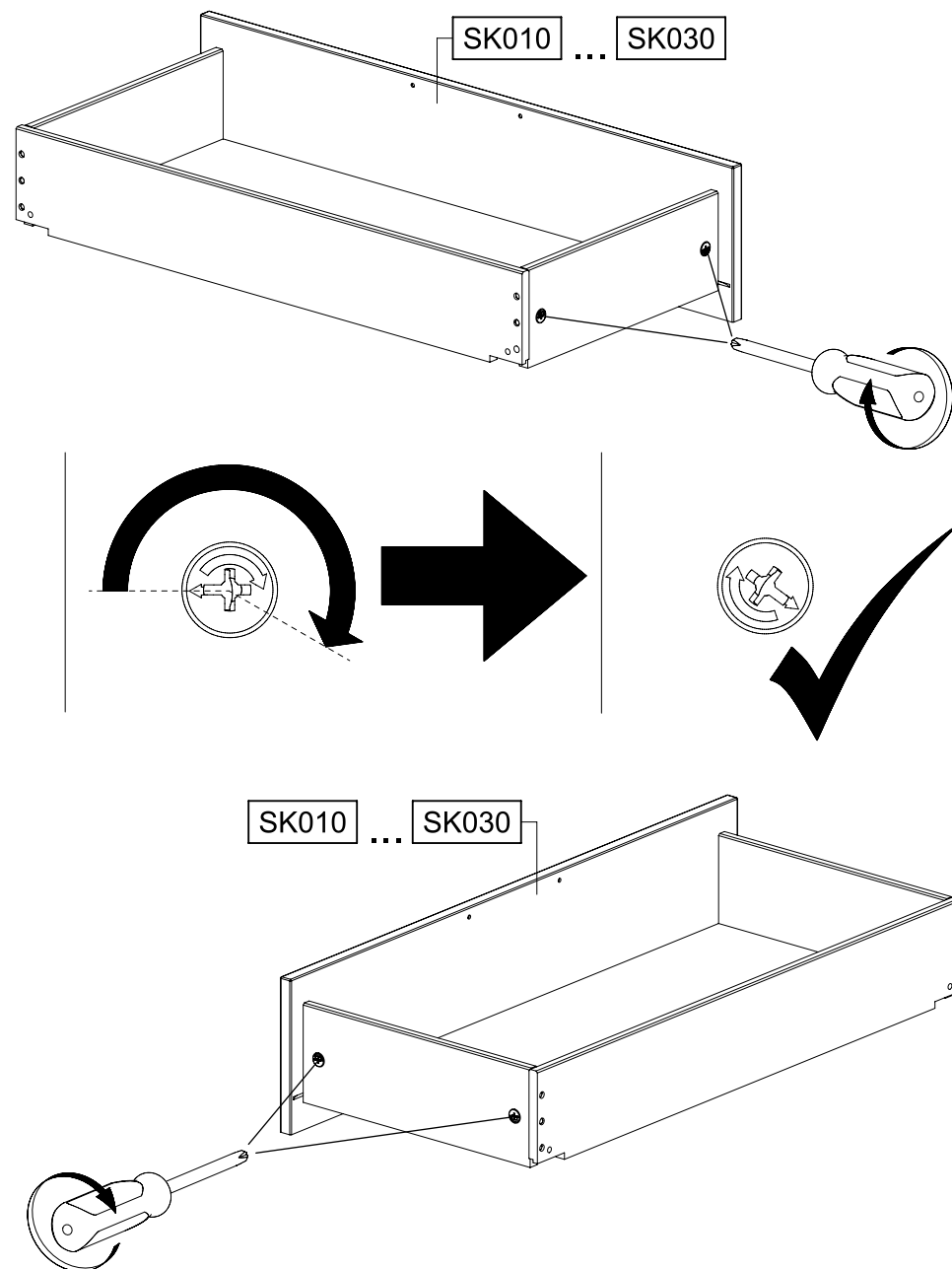
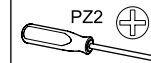


5

3x

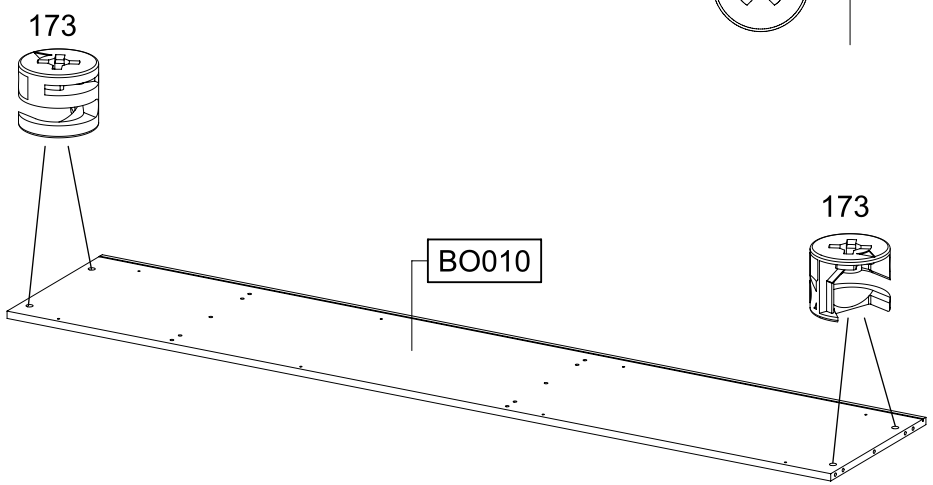
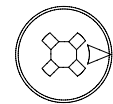
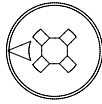
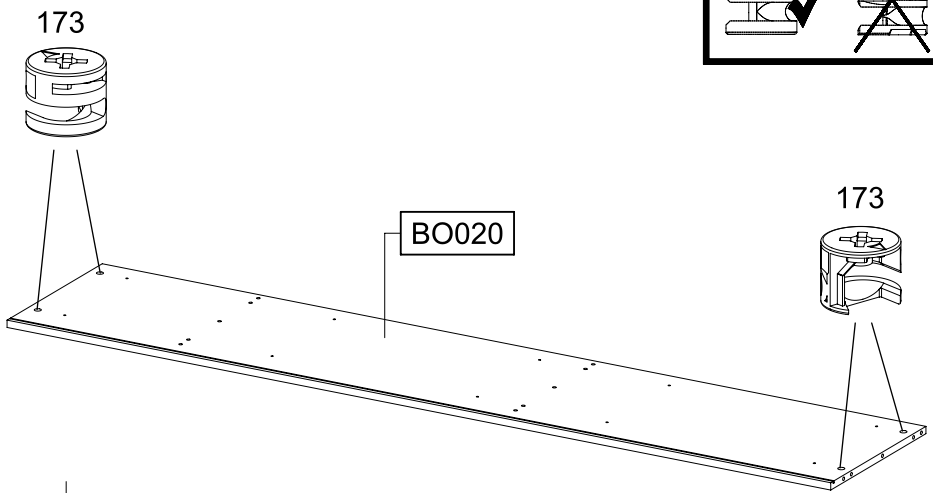
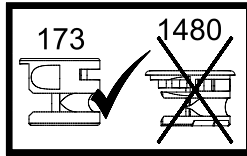


6



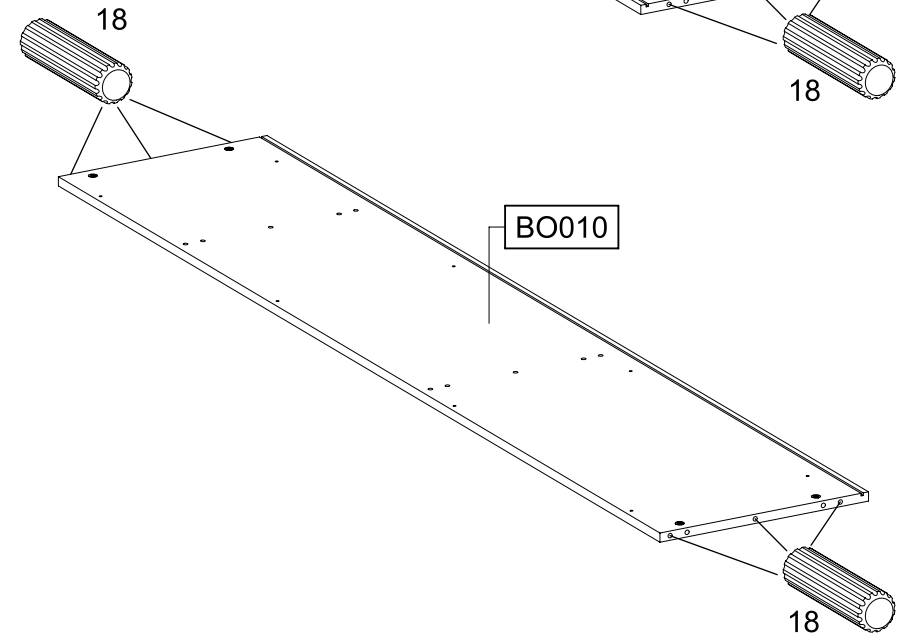
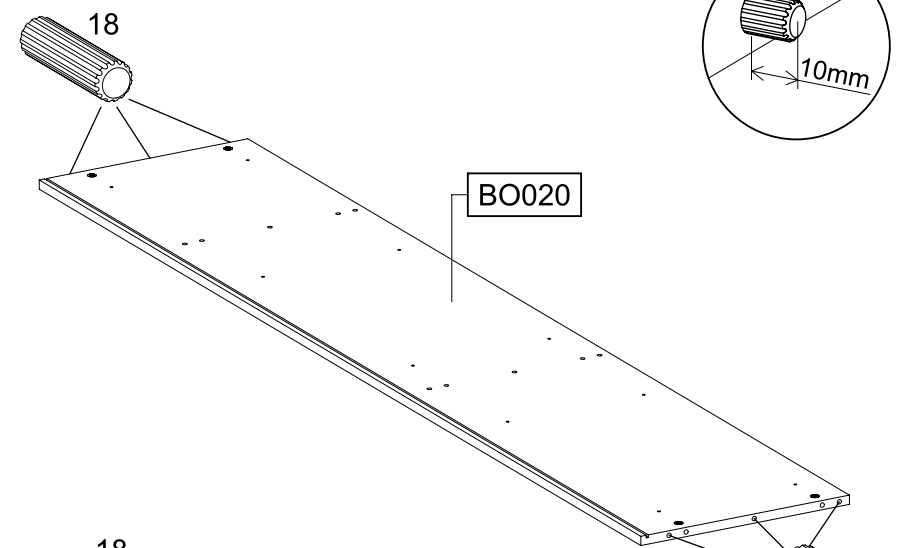
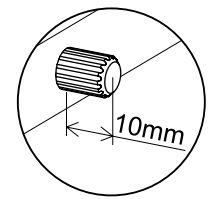
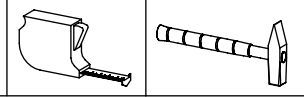
7

8x 173 



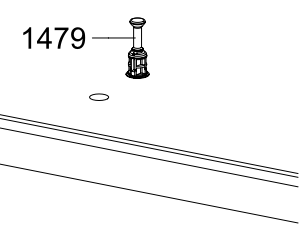
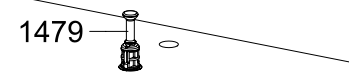
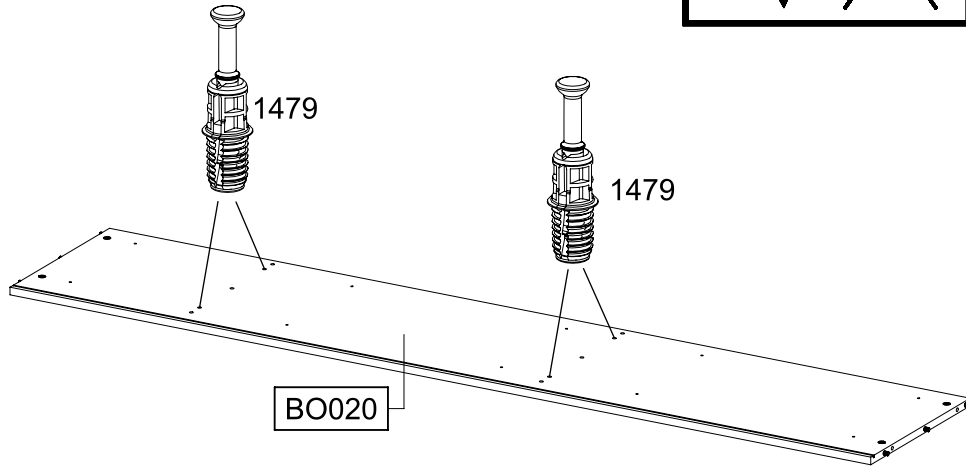
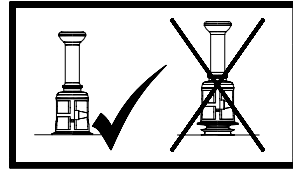
8

12x 18  8x30




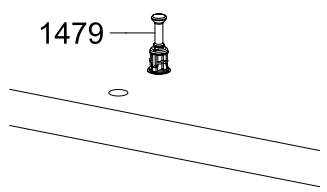
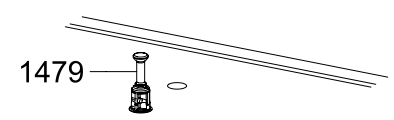
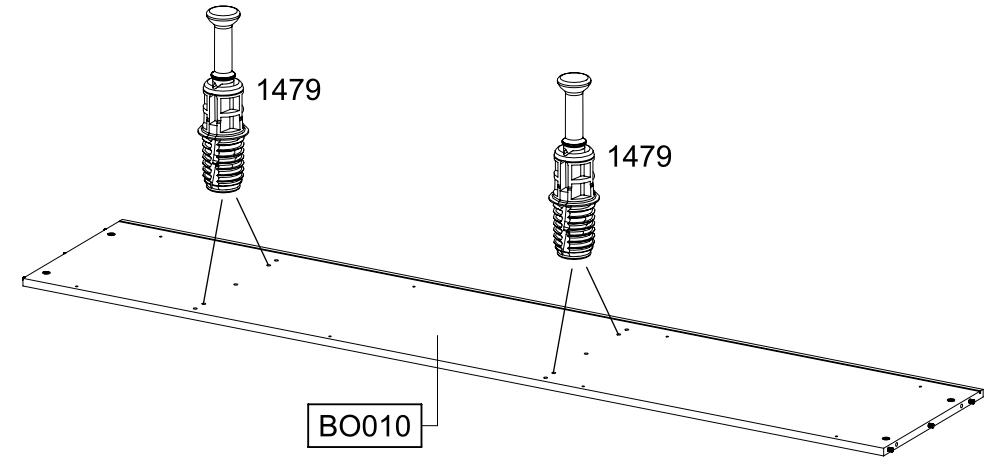
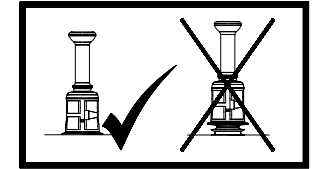
9

4x 1479 



10

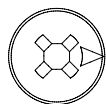
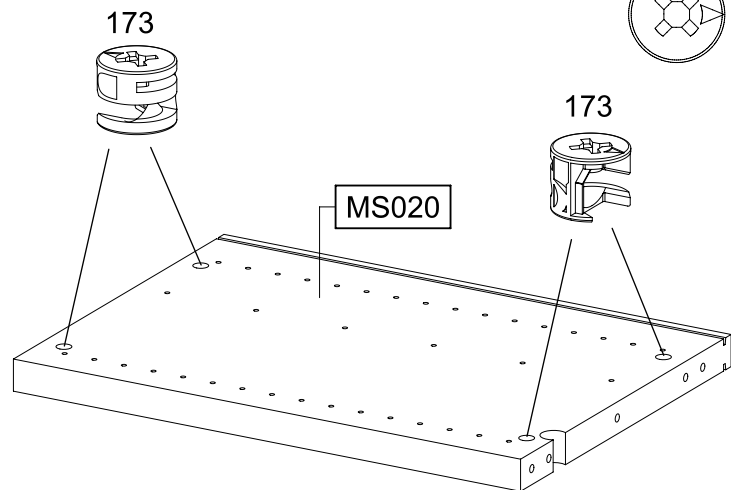
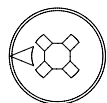
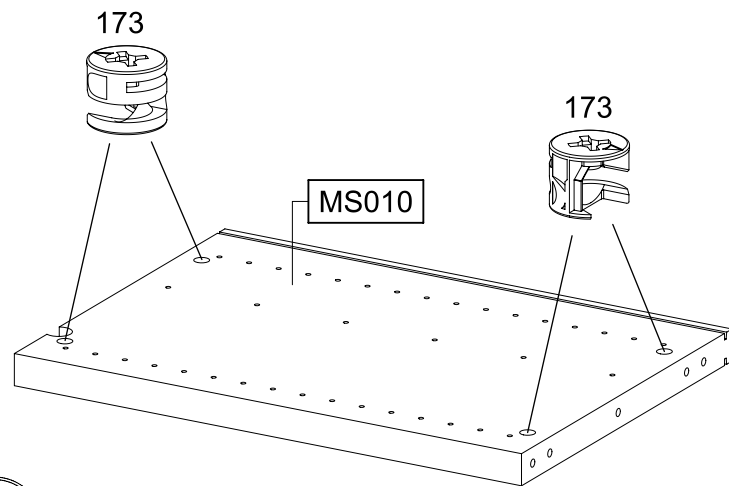
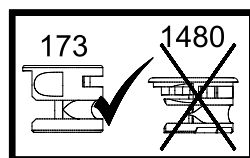
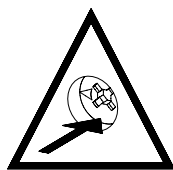
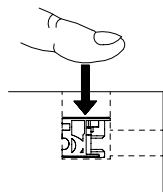
4x 1479 



11

8x

173

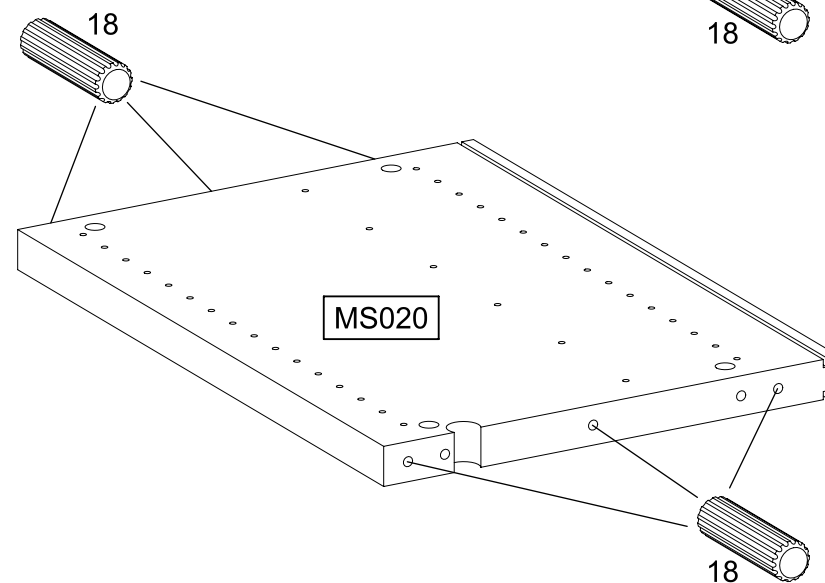
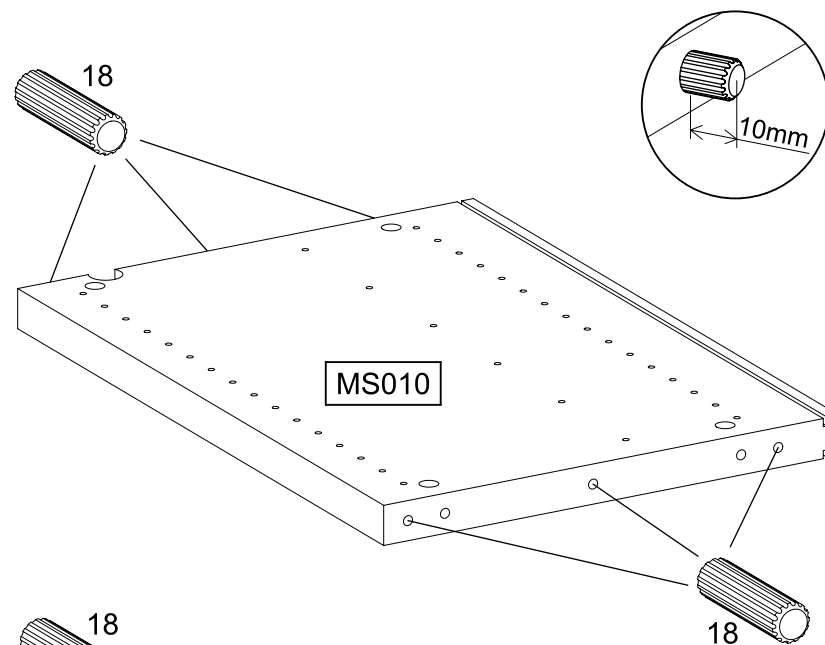
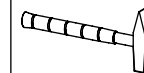
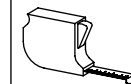


12

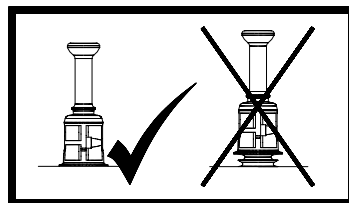
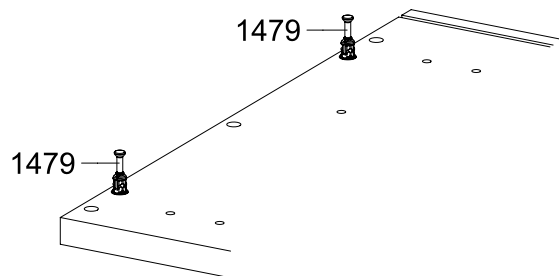
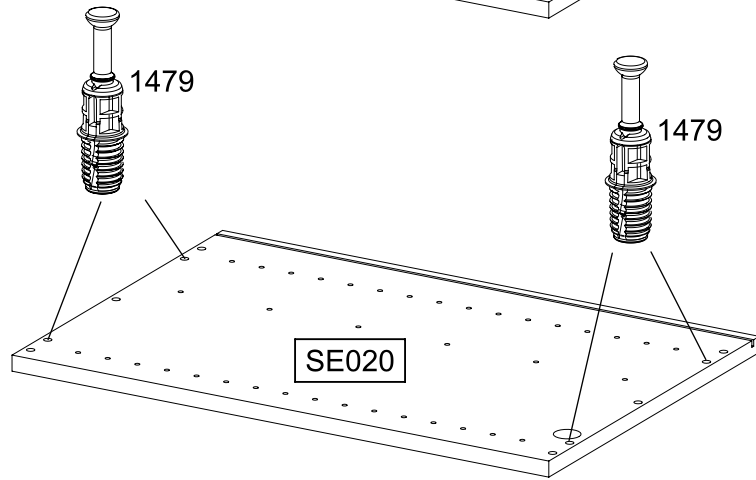
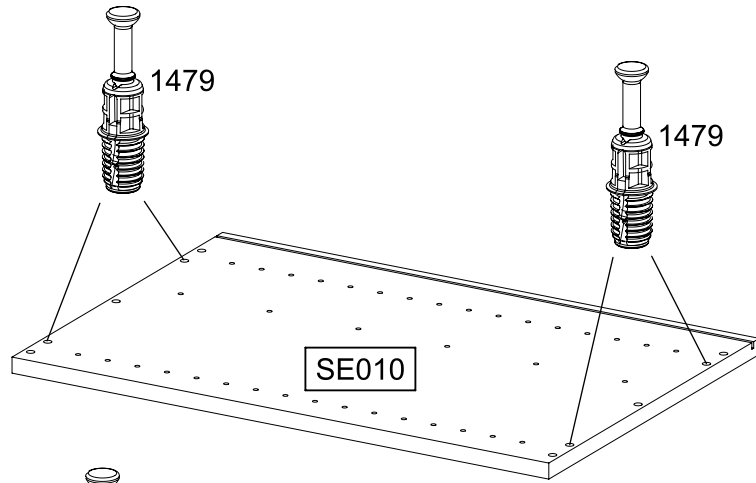

12x

18

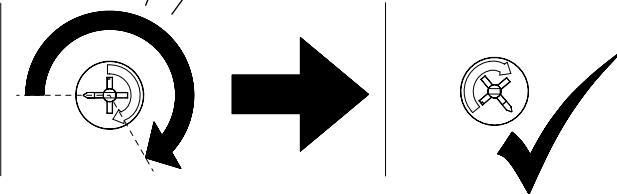
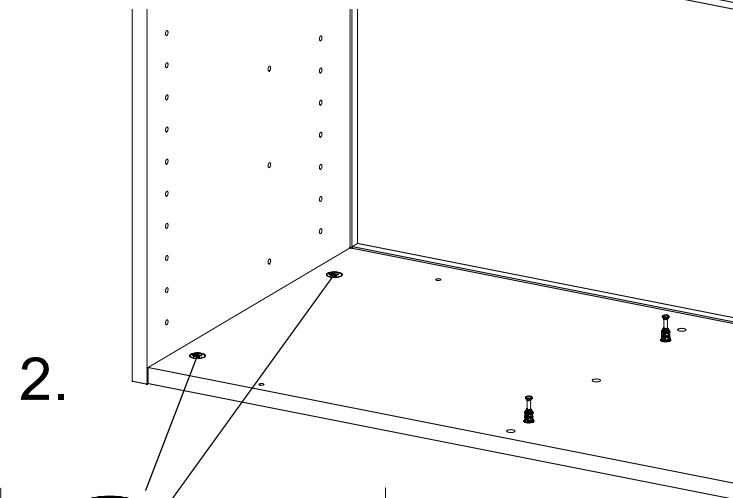
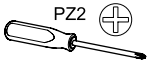
8x30

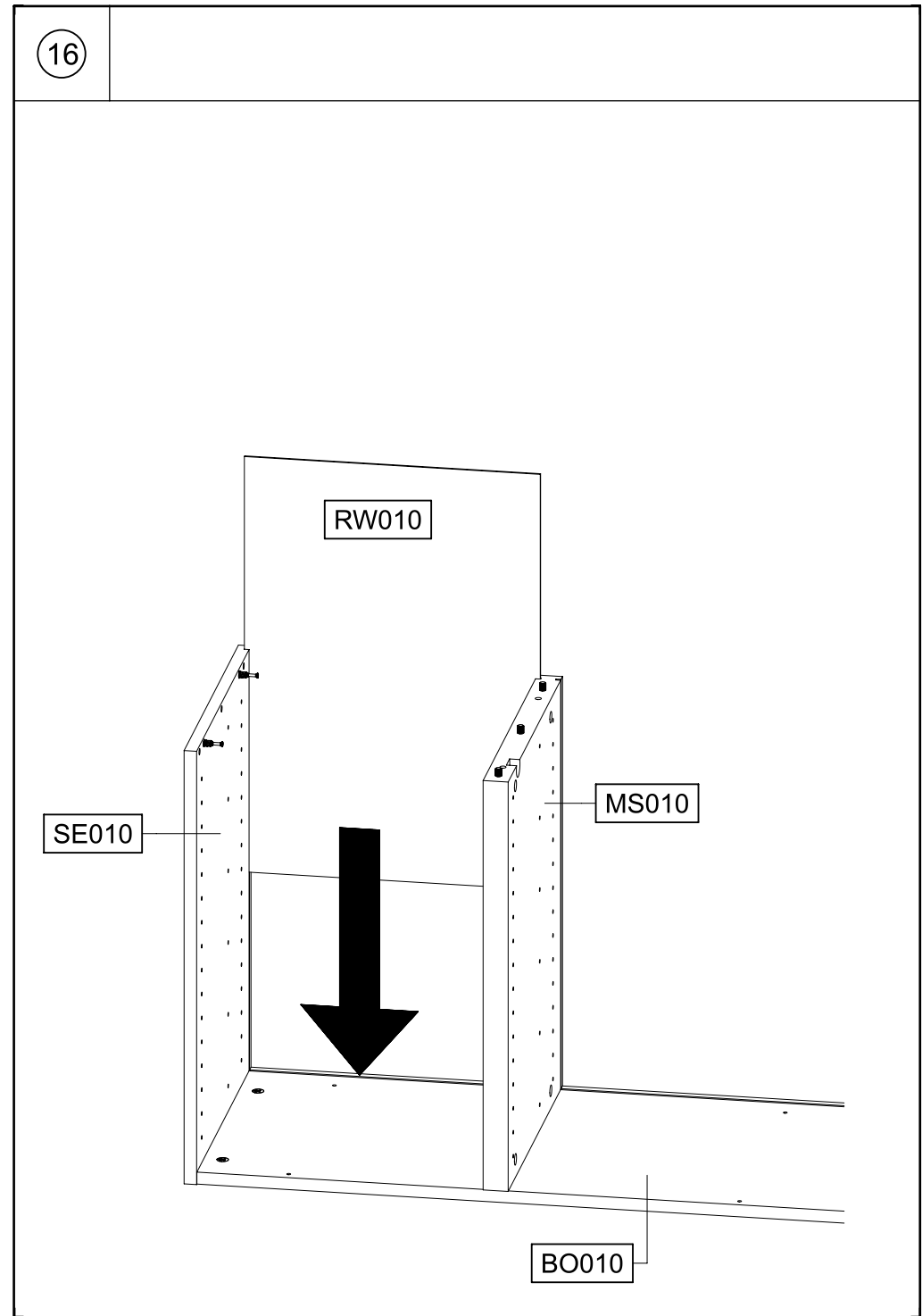
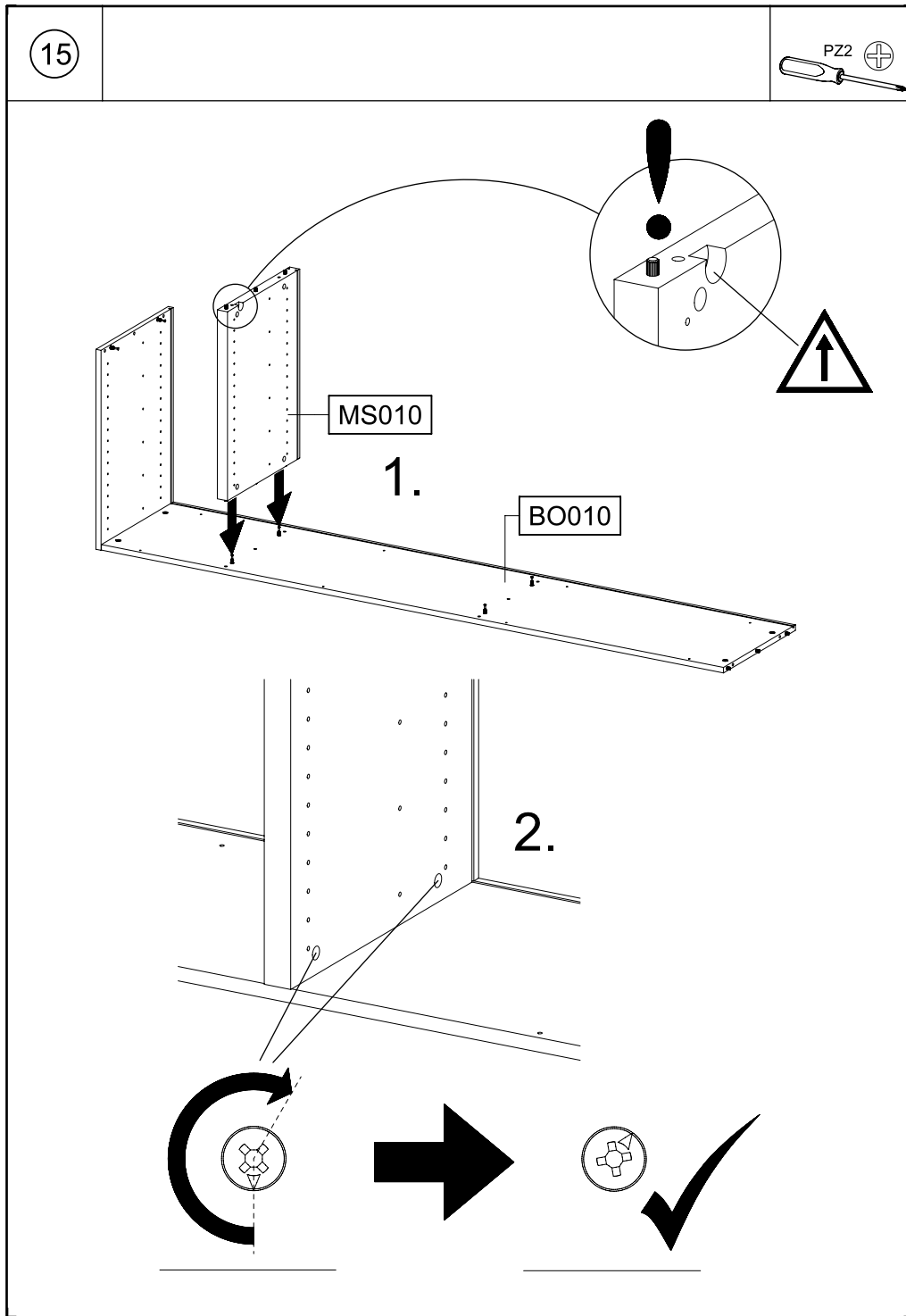


13

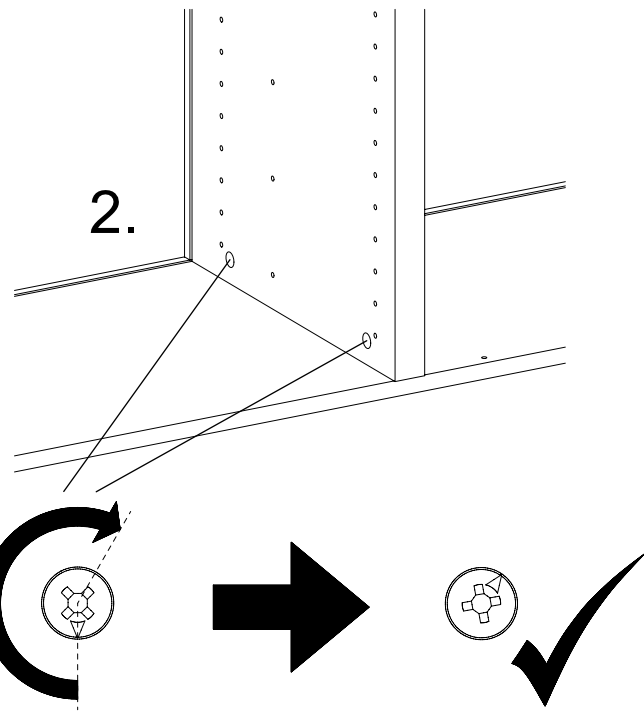
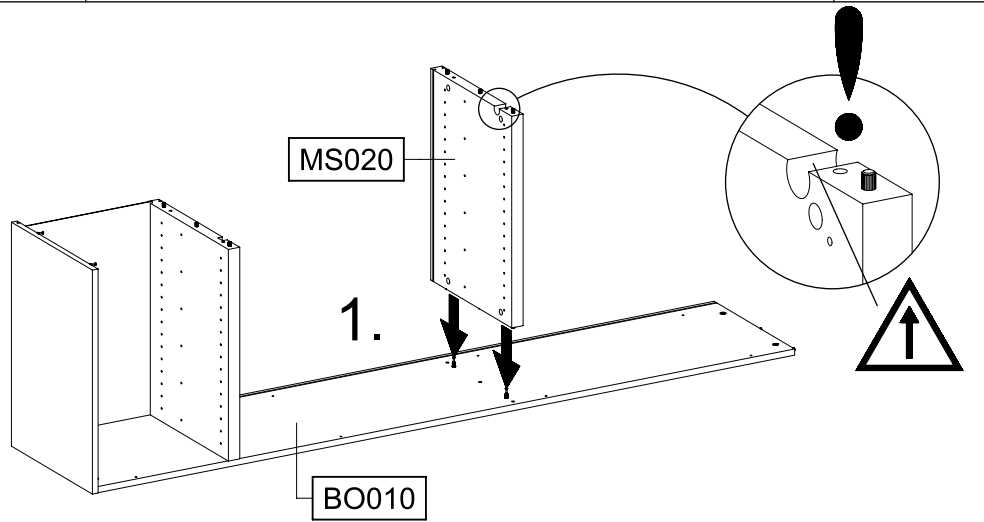
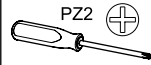
8x 

14

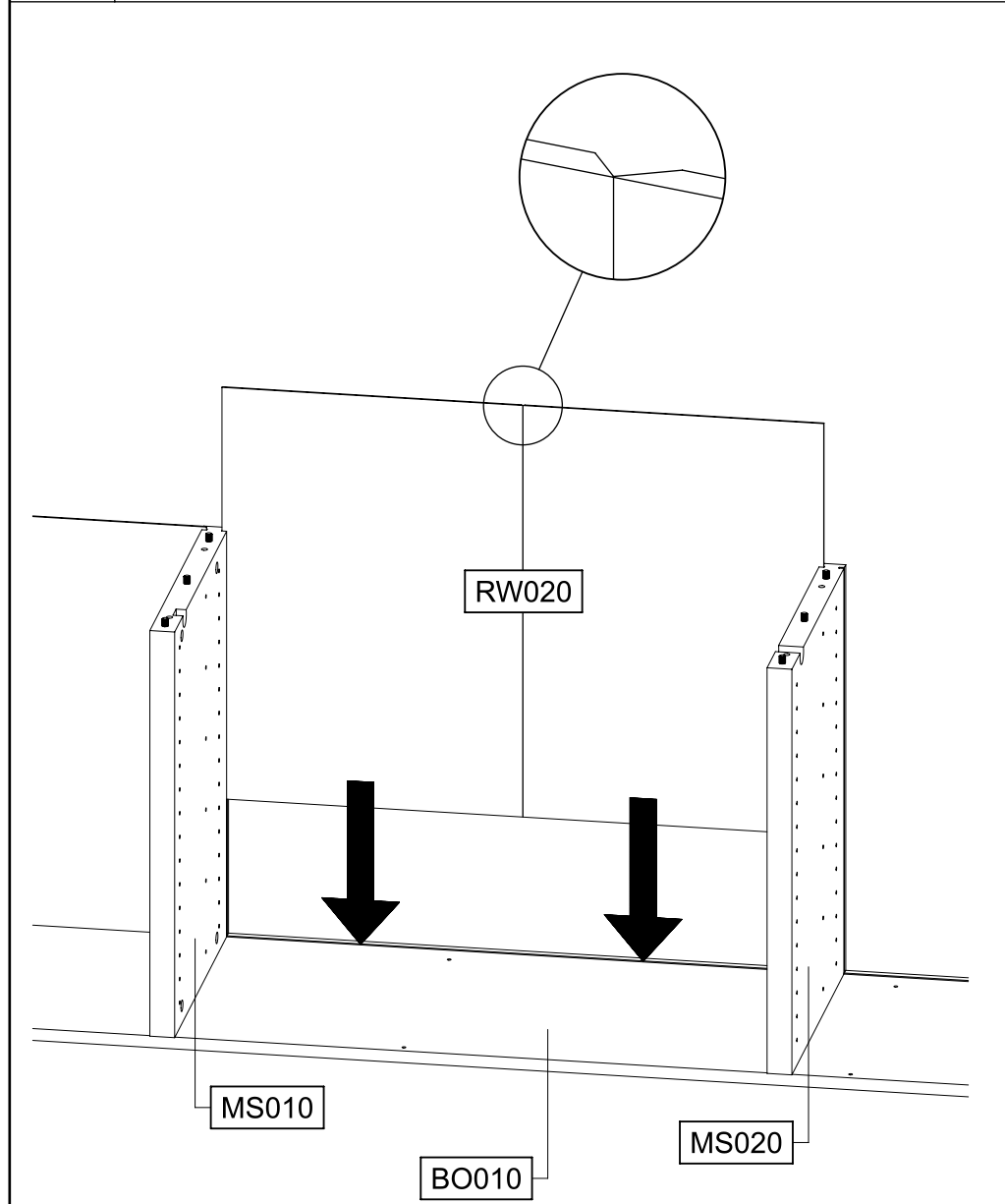
PZ2 



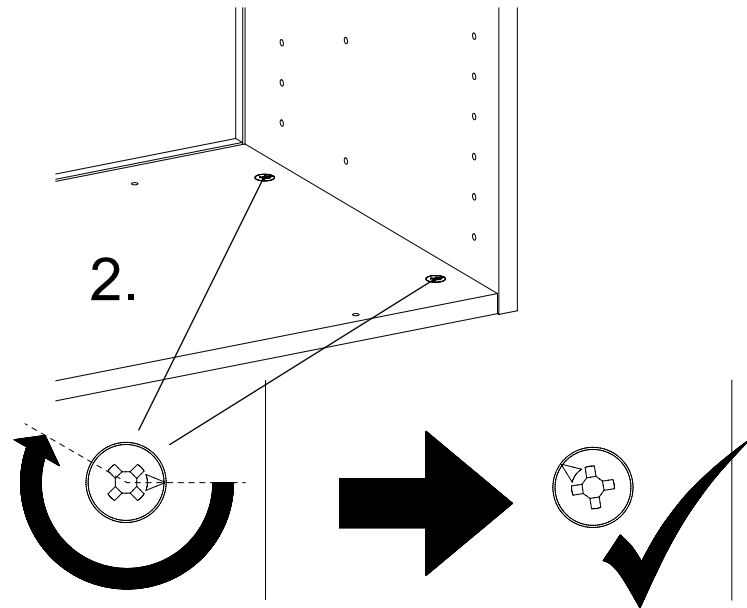
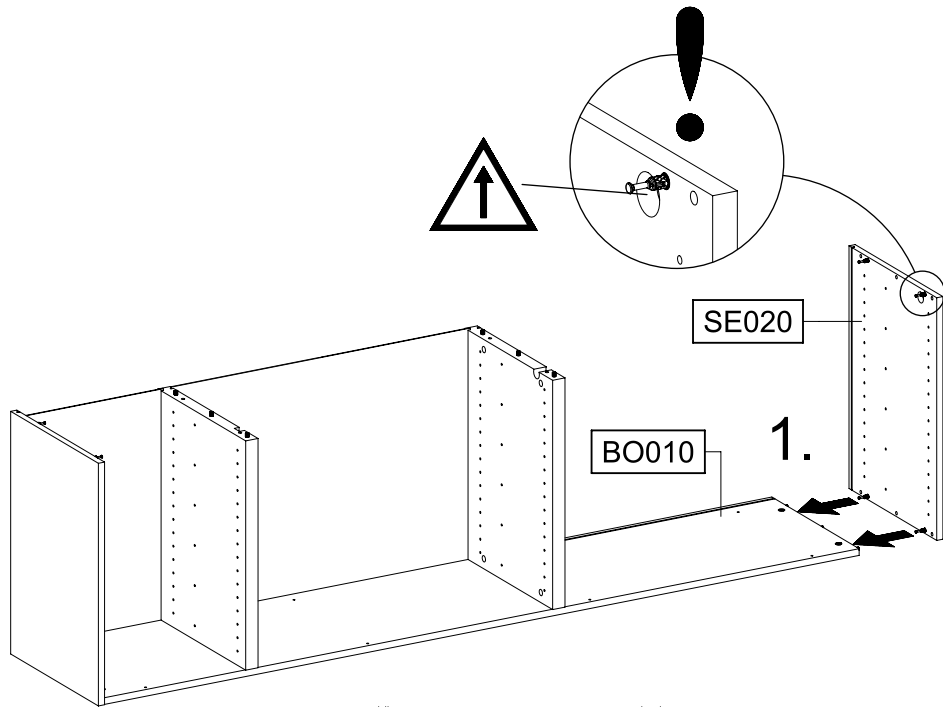
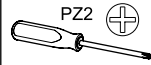
17



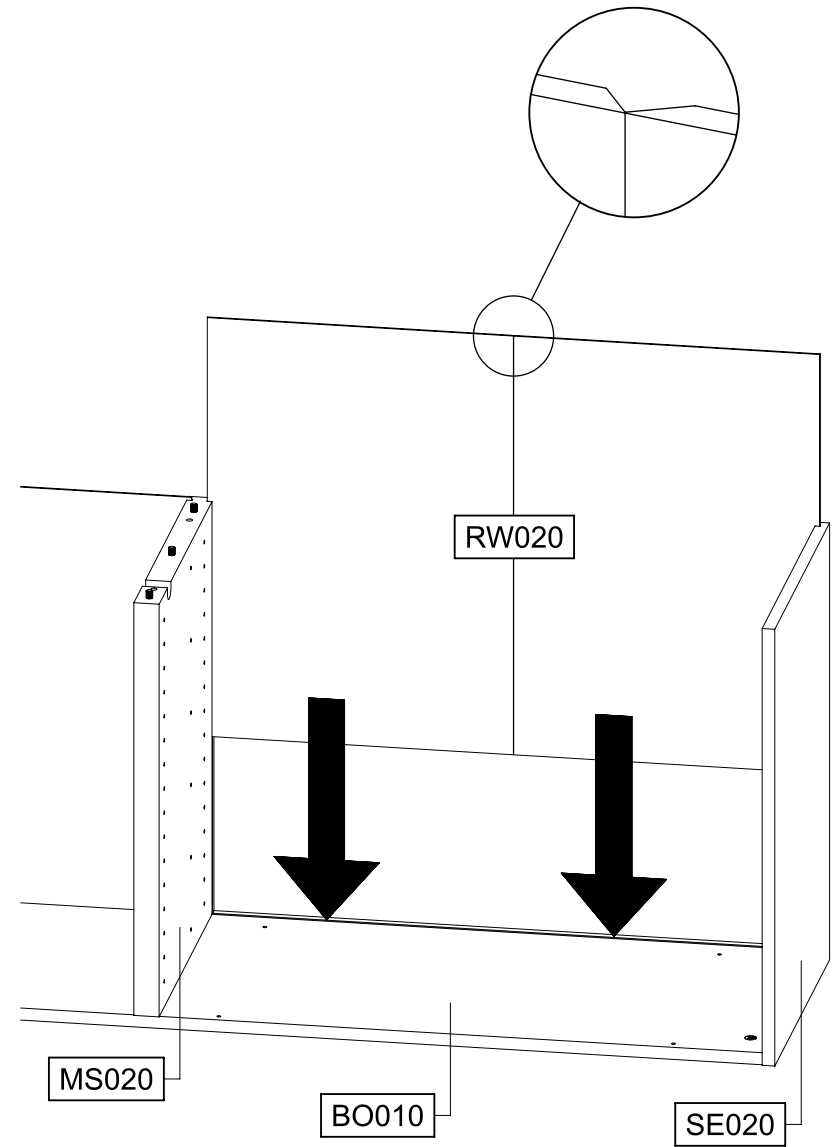
18



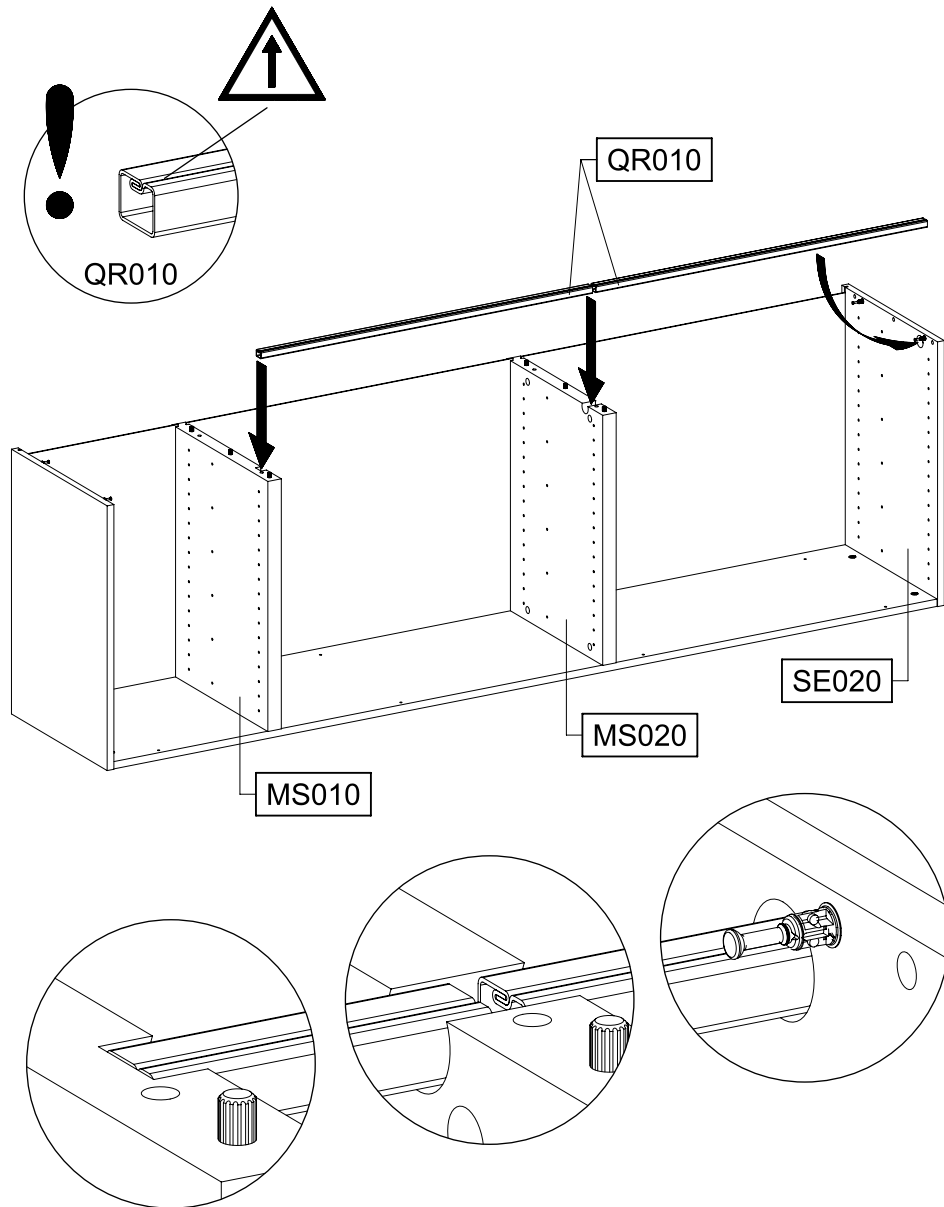
19



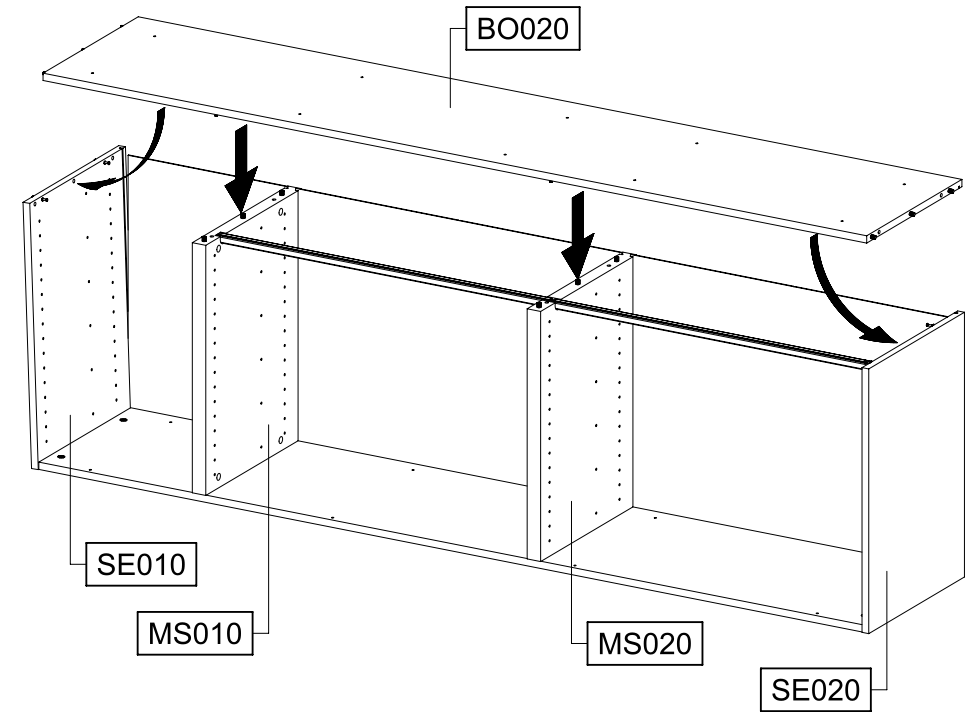
20



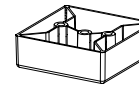
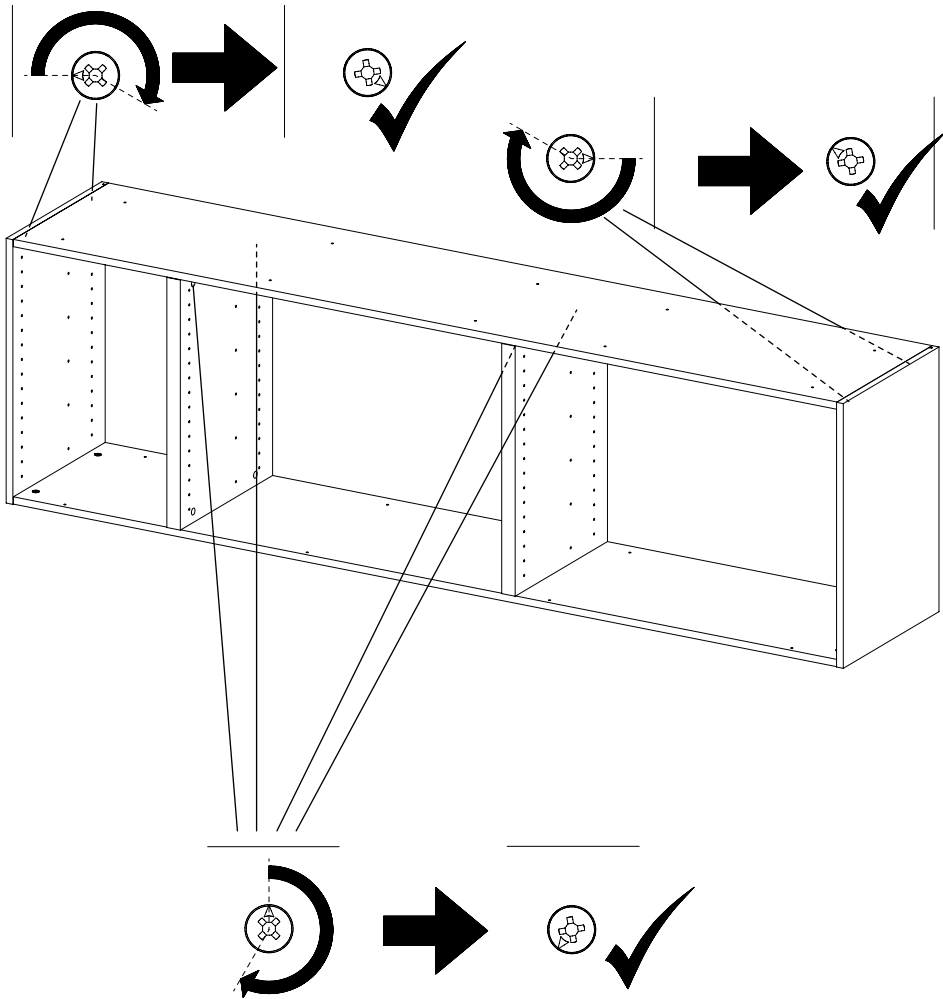
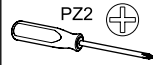
21



22



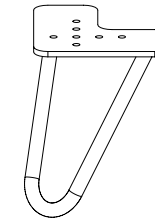
23



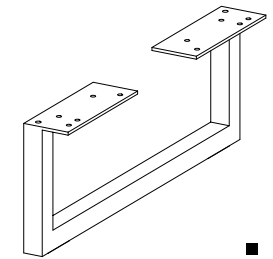
1207



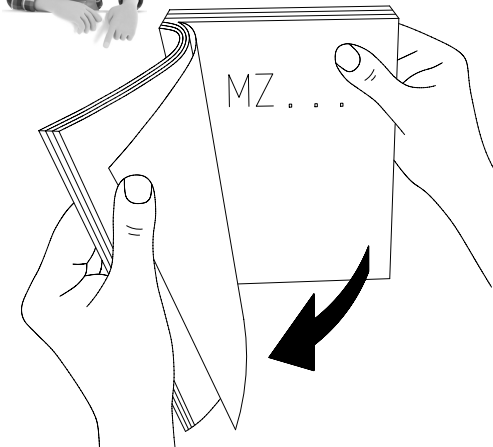
1481



1345

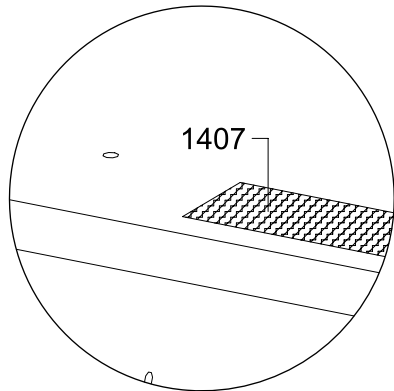
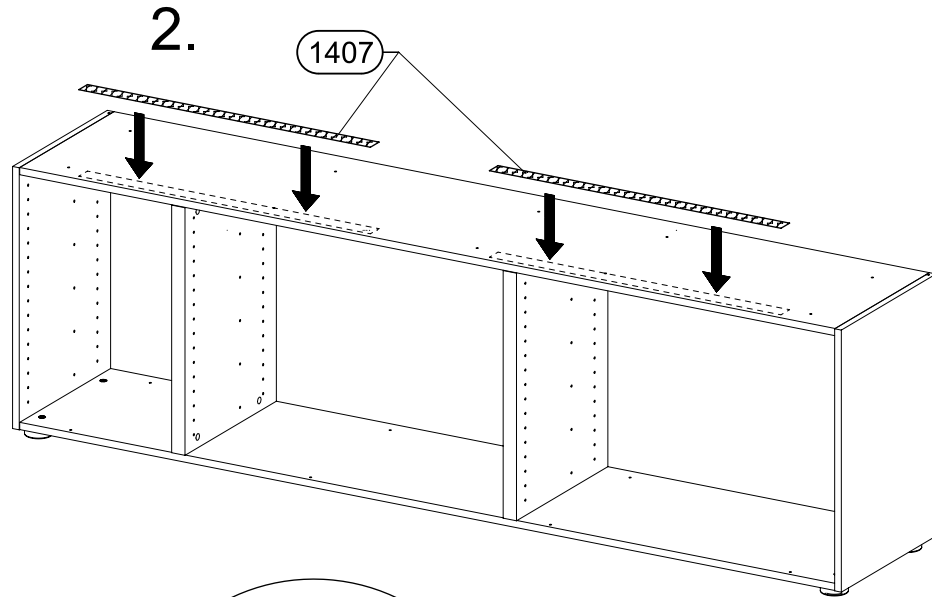
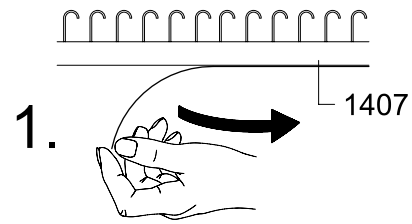


1348



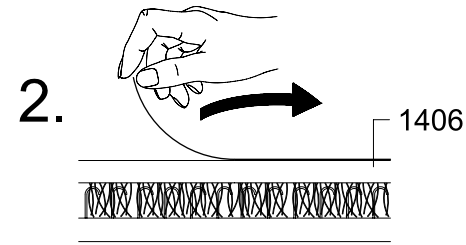
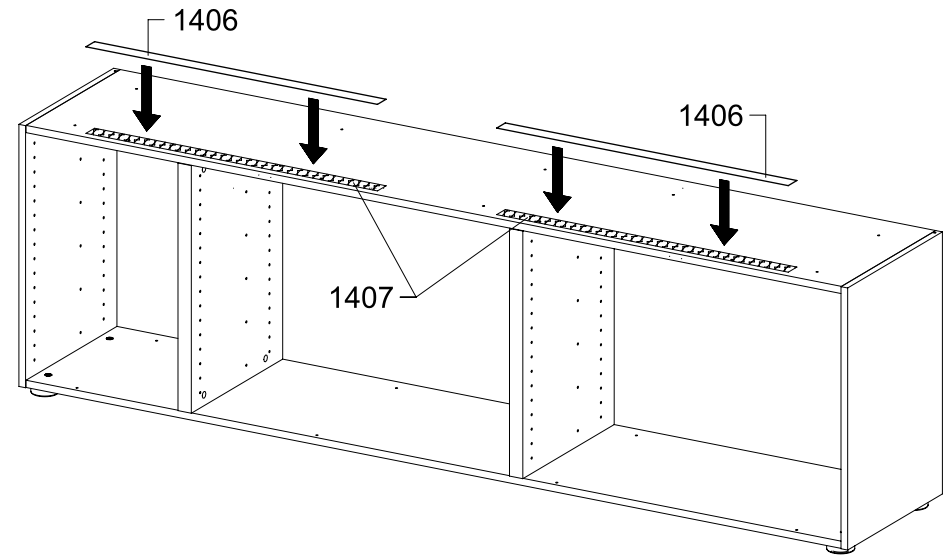
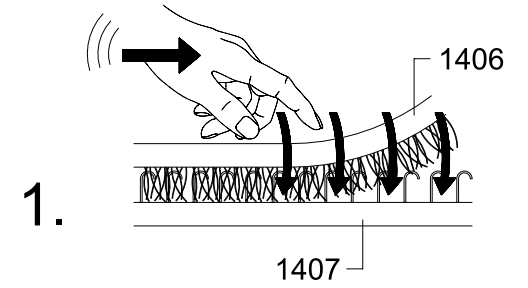
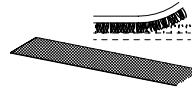
24

2x 1407

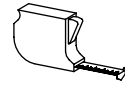


25

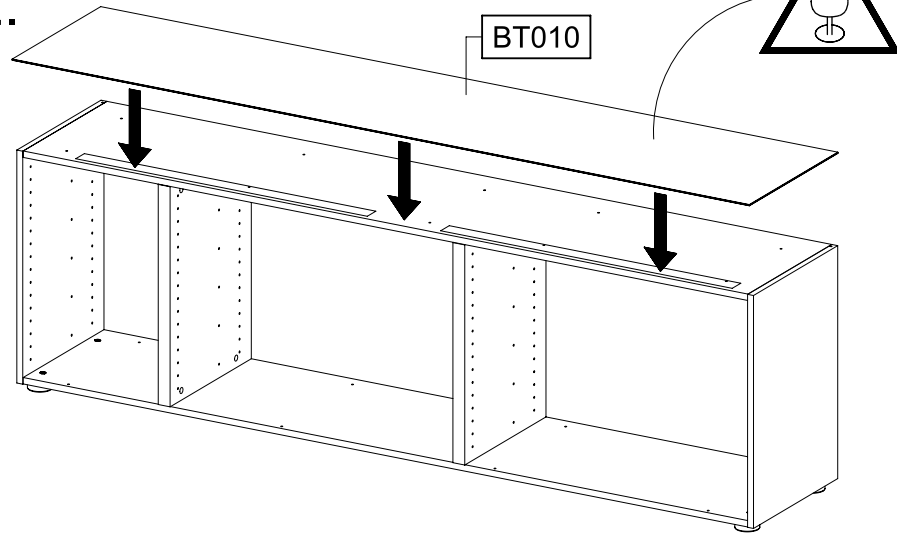
2x 1406



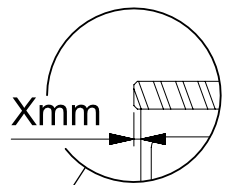
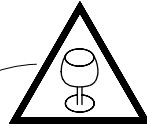
26



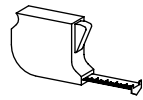
2.



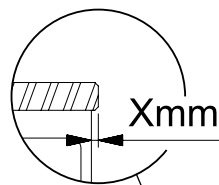
BT010



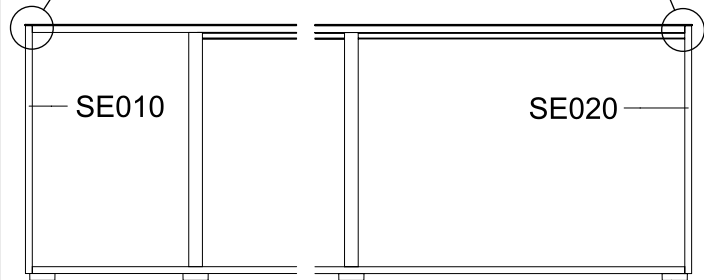
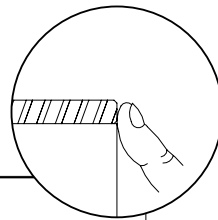
Xmm



Xmm=Xmm



Xmm

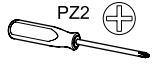
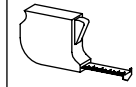


SE010

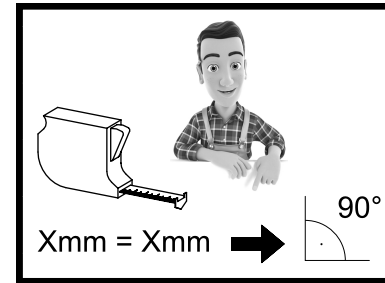
SE020

SE020

27

12x⁽⁴⁵⁾

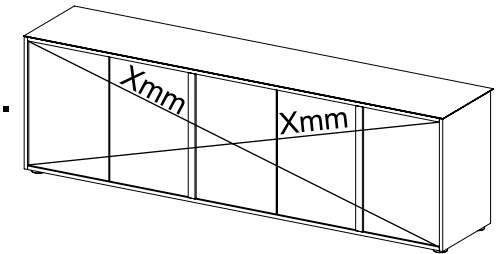
PZ2



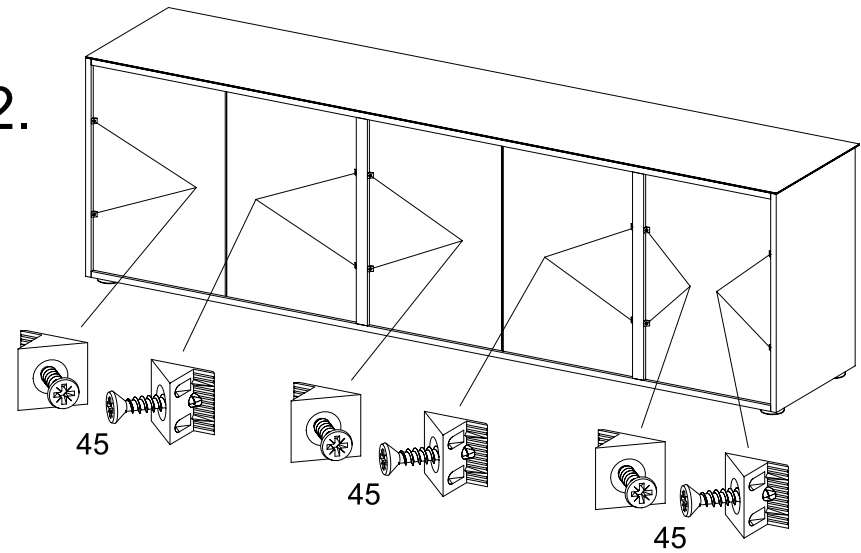
Xmm = Xmm

90°

1.



2.

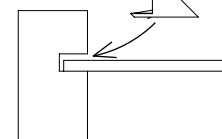


45

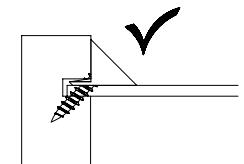
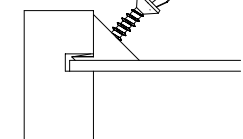
45

45

2.



3.



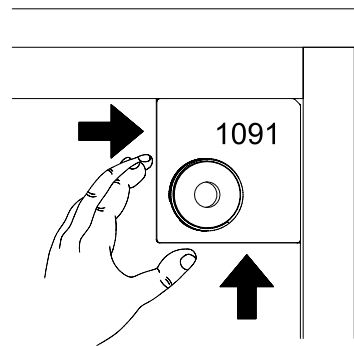
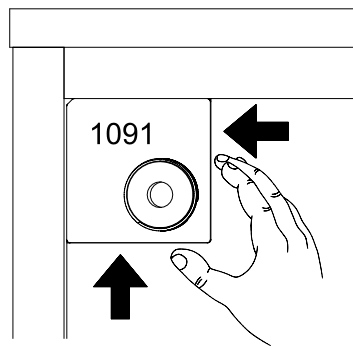
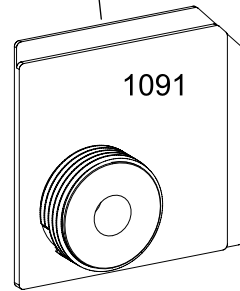
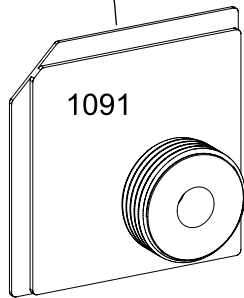
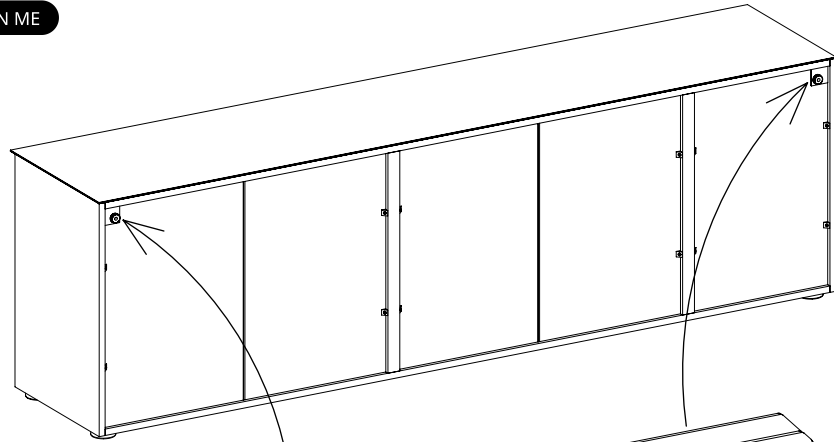
28

2x

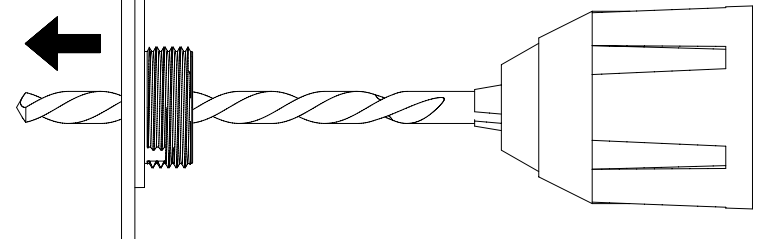
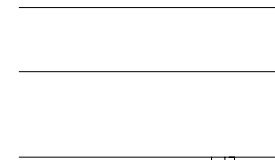
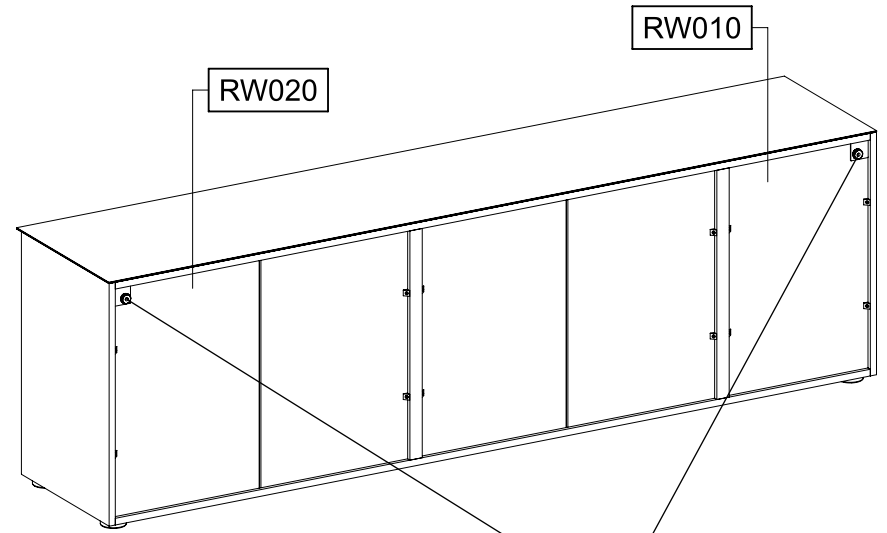
1091

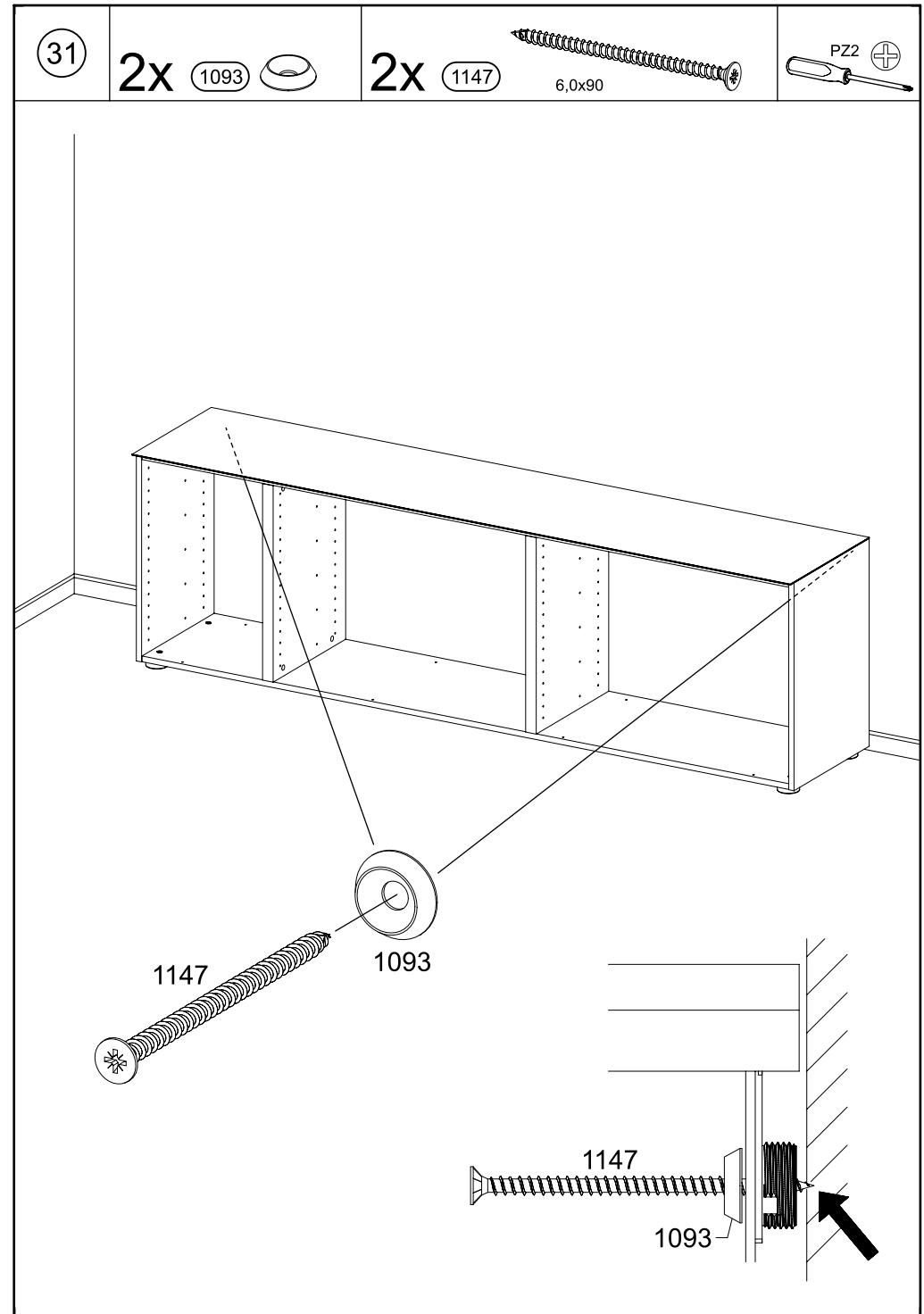
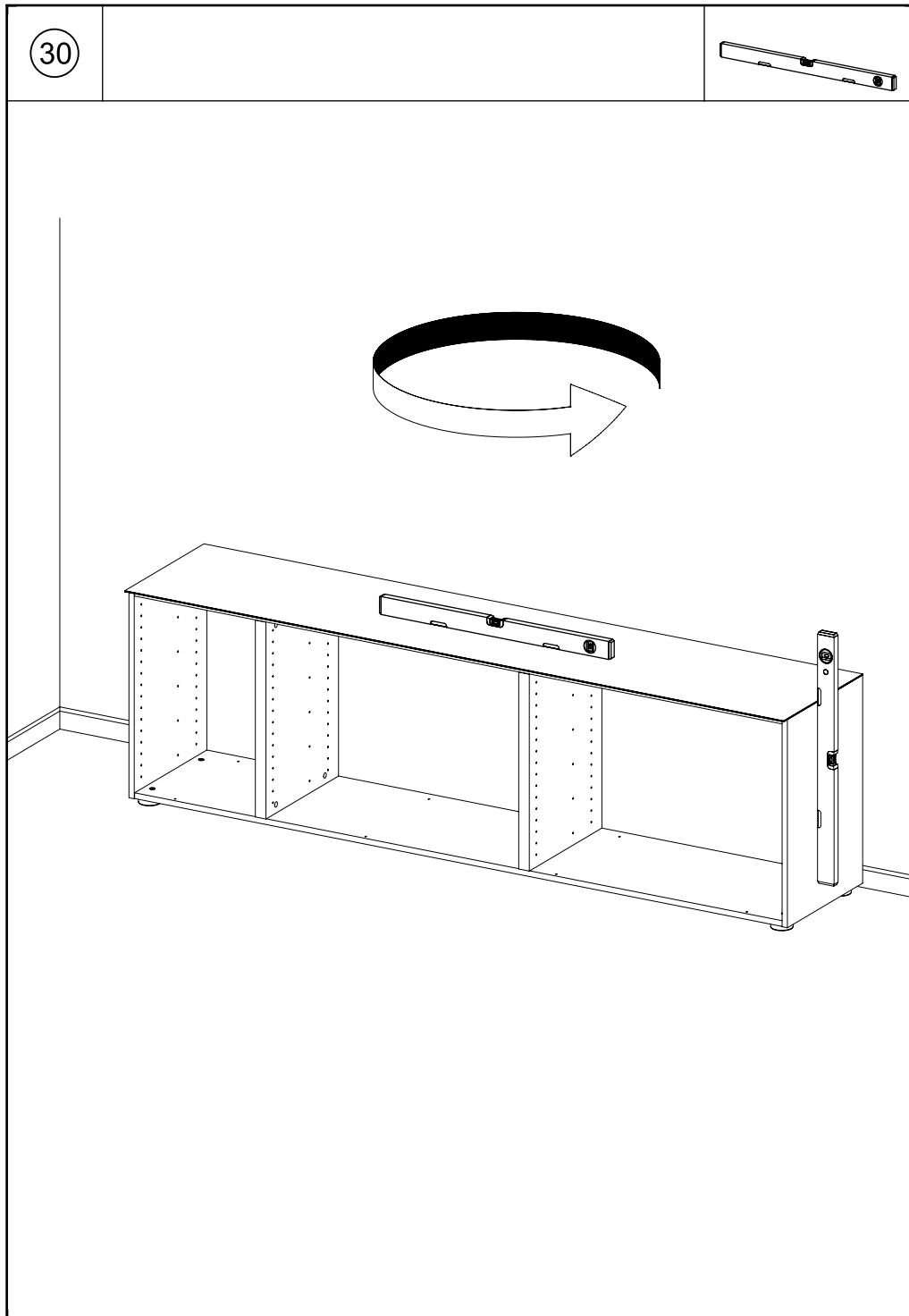


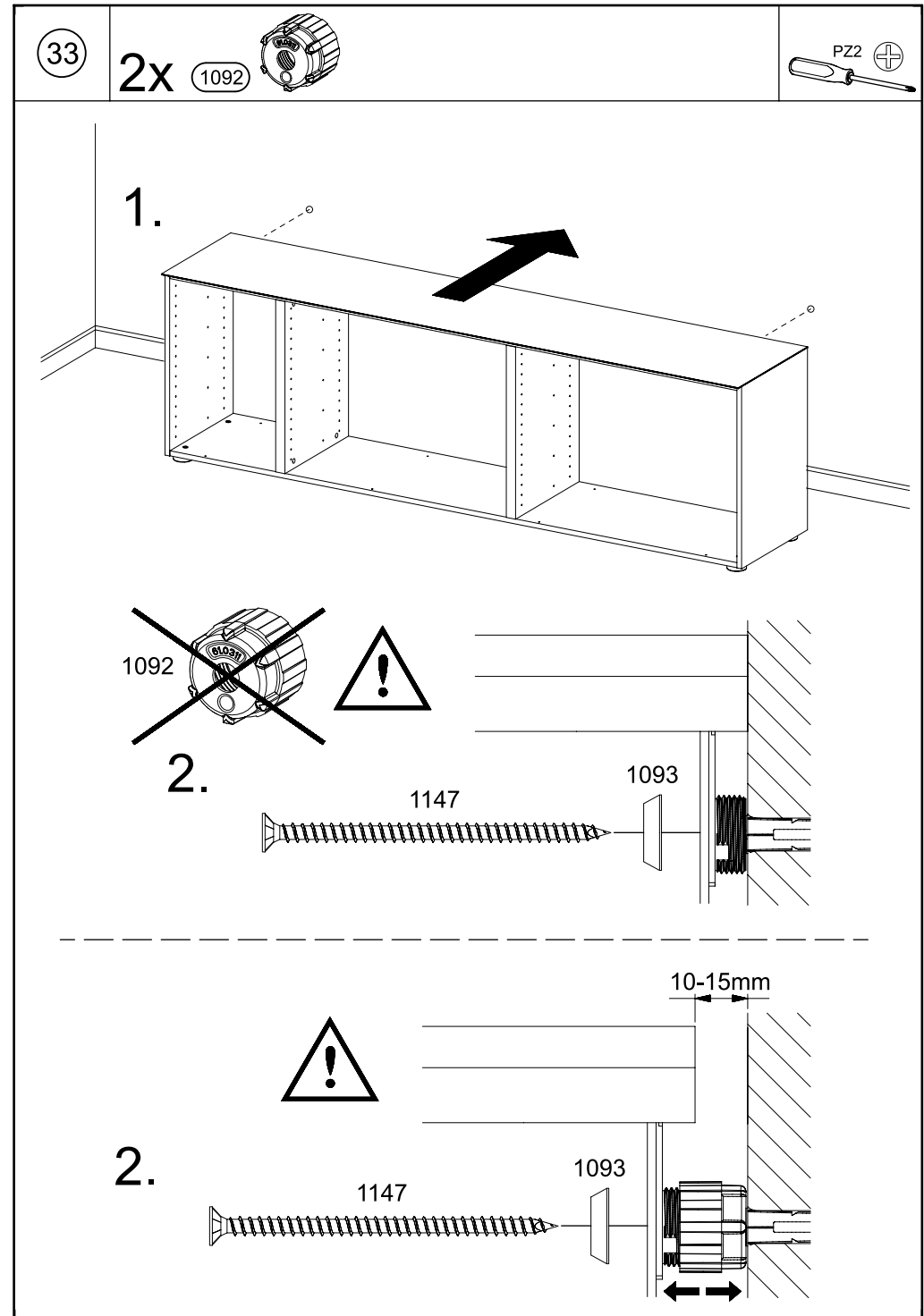
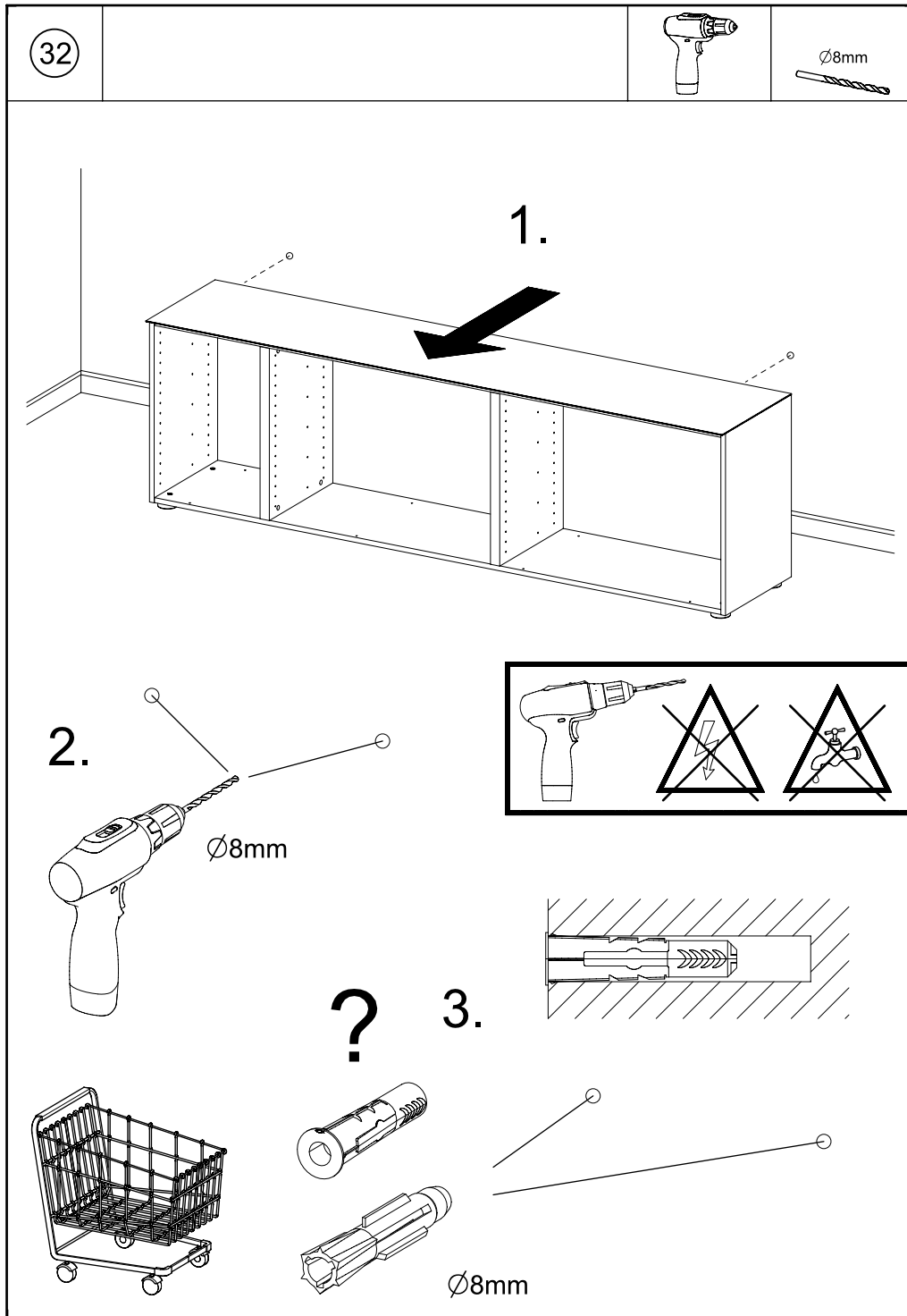
SCAN ME



29

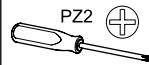
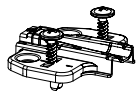




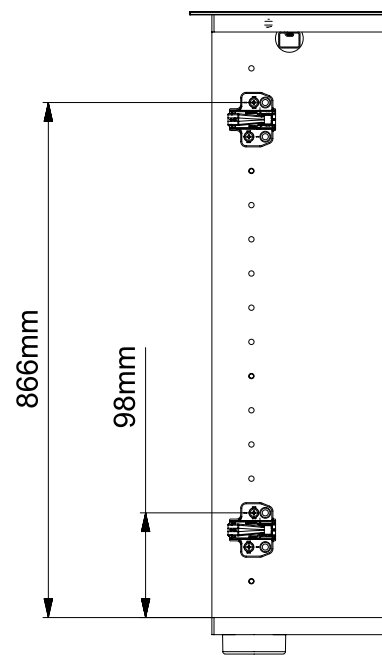
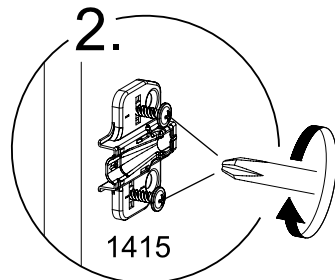
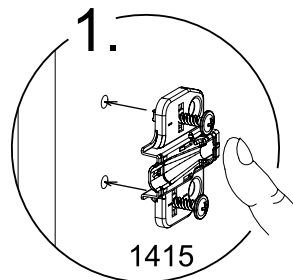
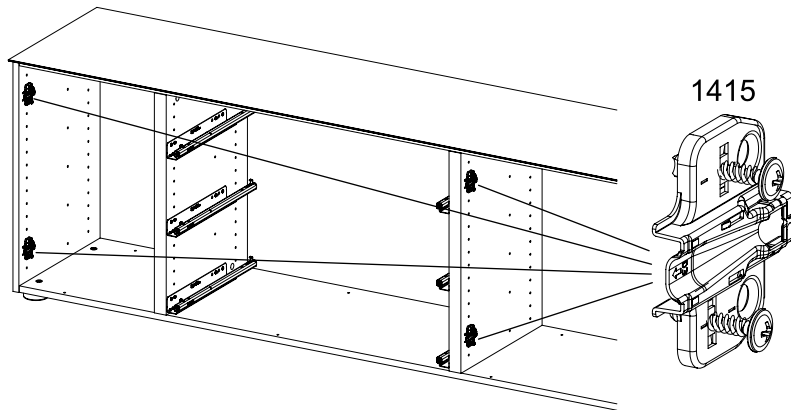


36

4x 1415

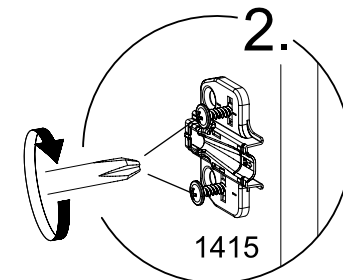
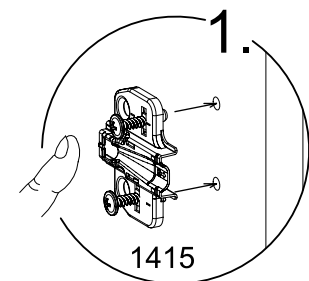
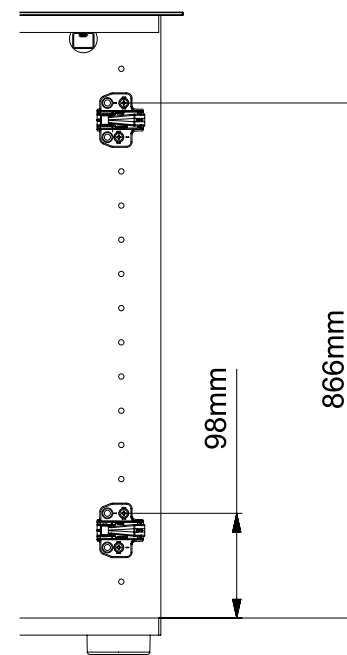
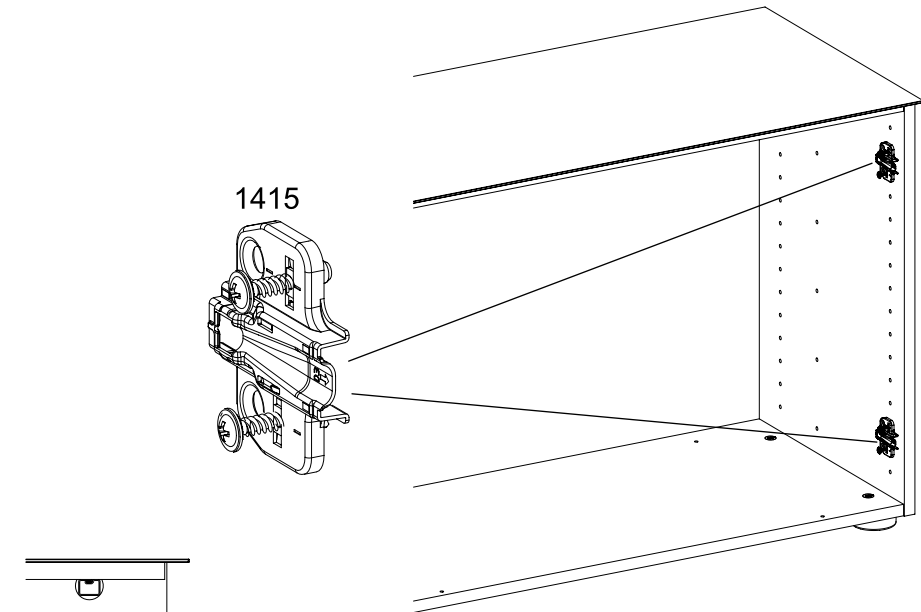
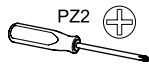
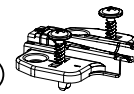


SCAN ME




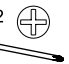
37

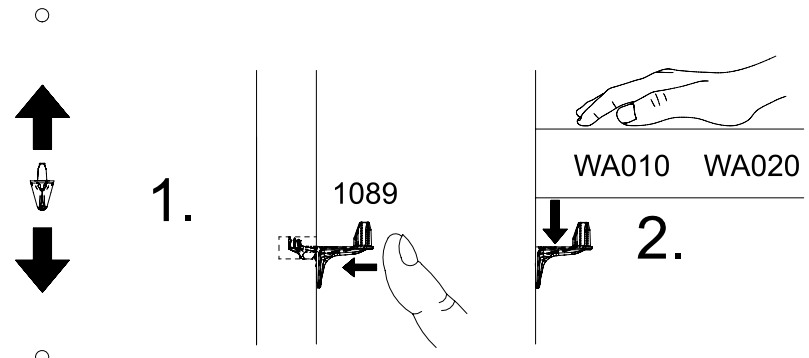
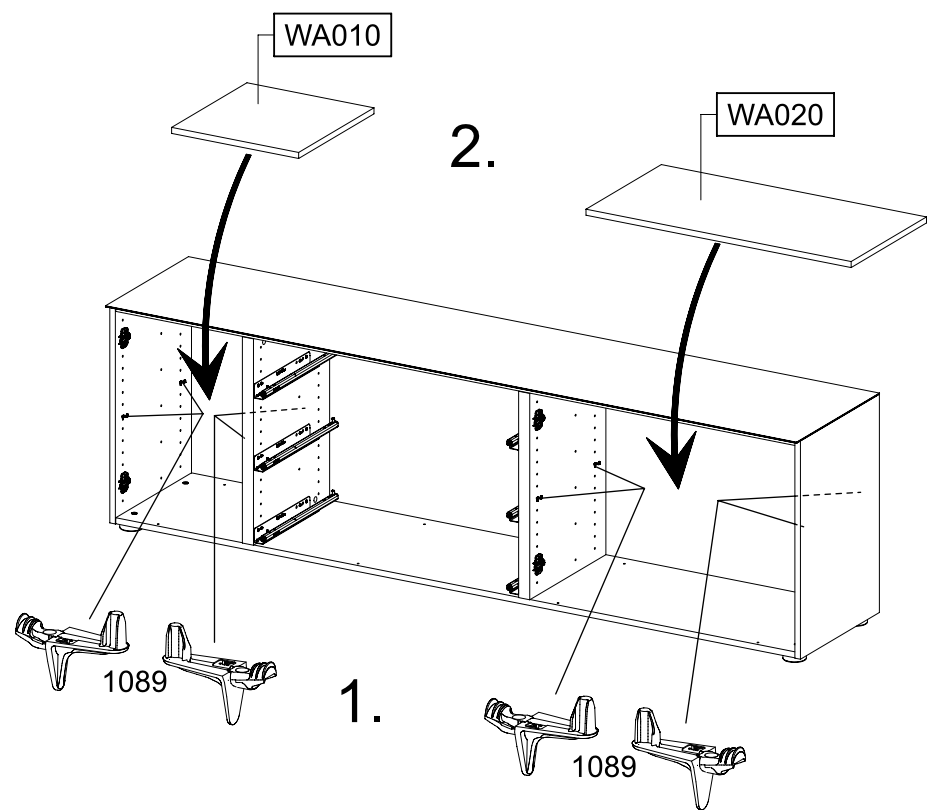
2x 1415



38

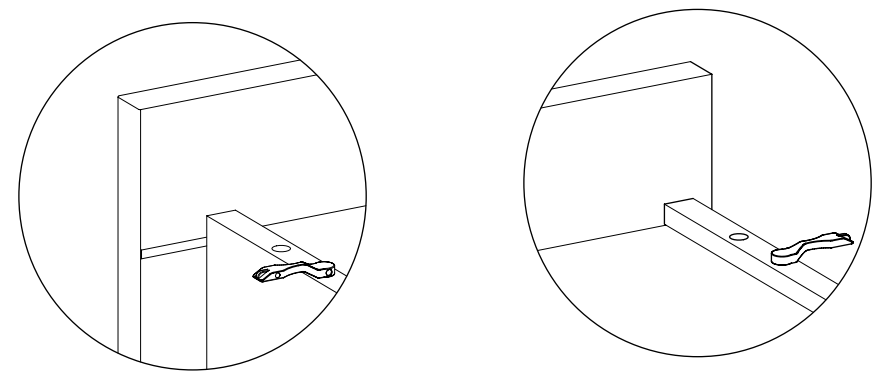
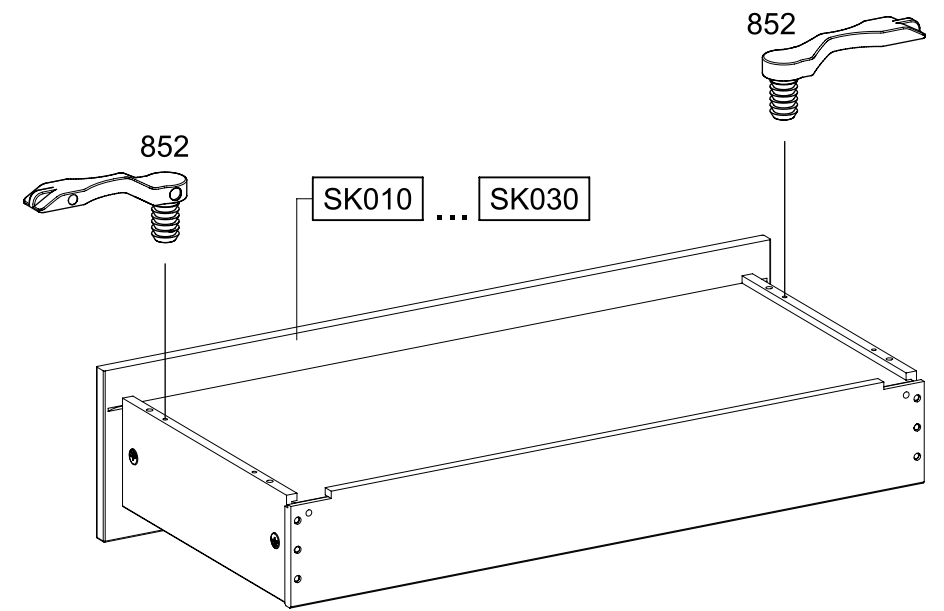
8x 1089 

PZ2 

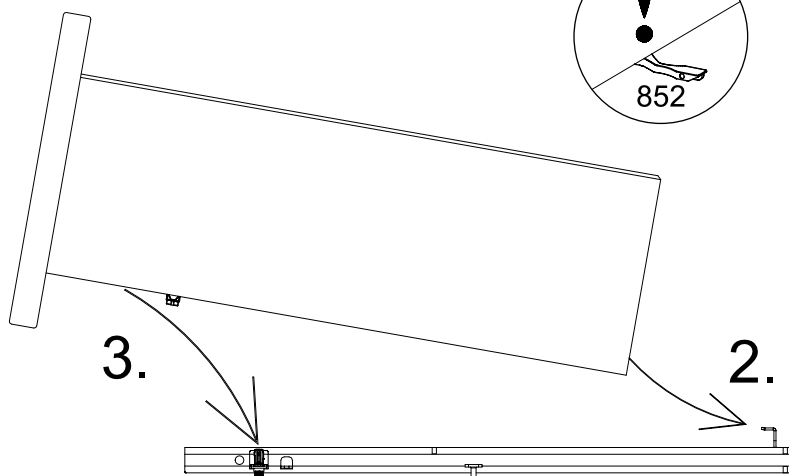
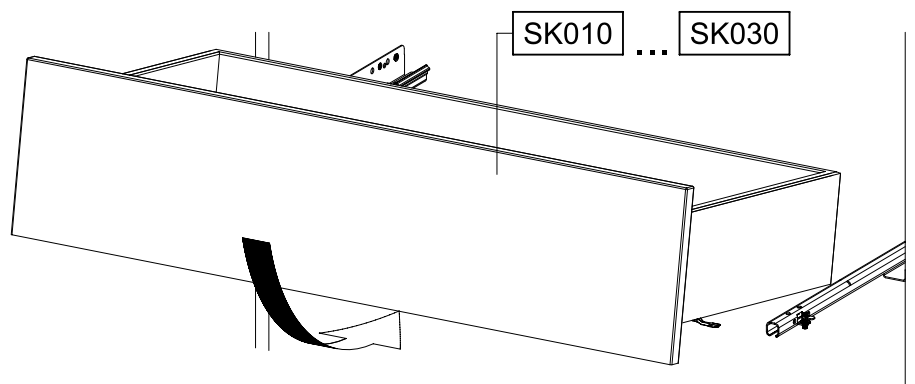
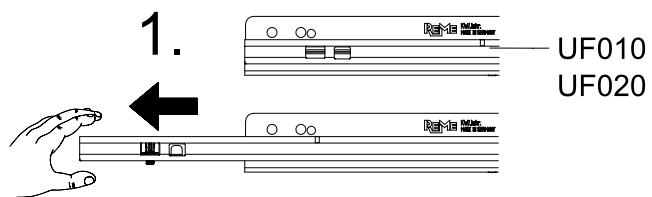


39

6x 852 

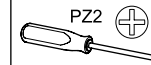
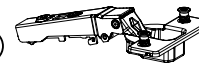


40

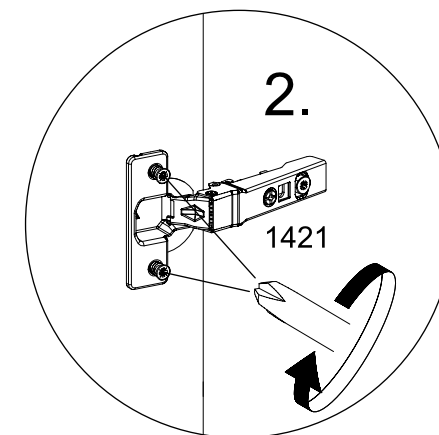
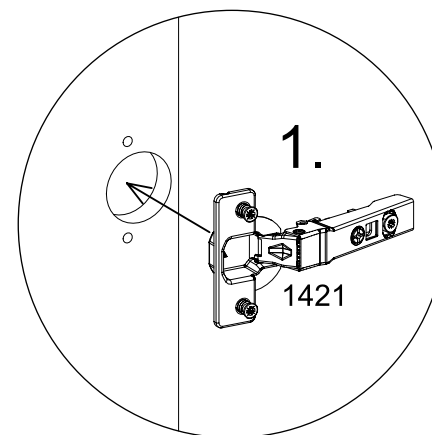
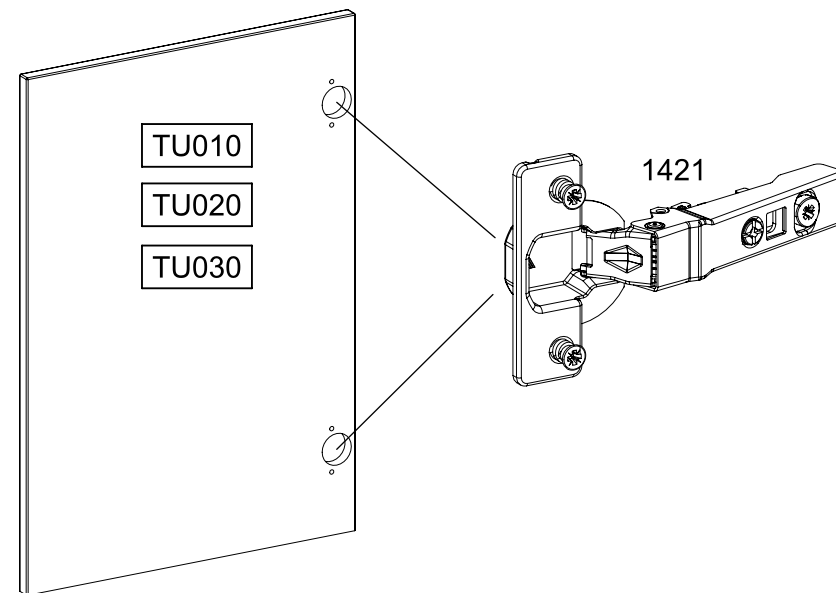


41

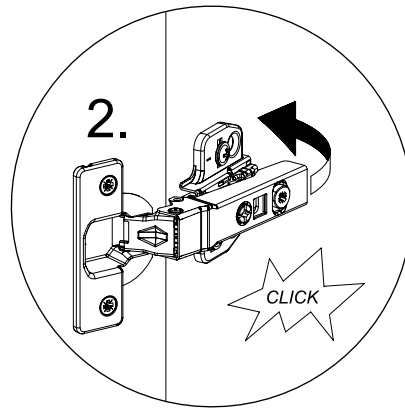
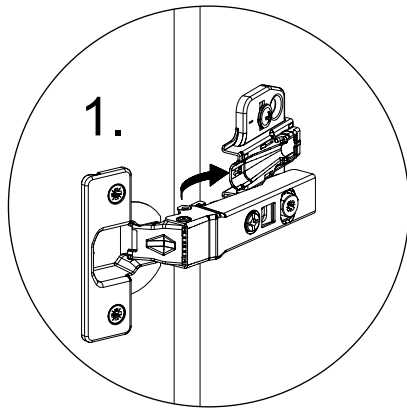
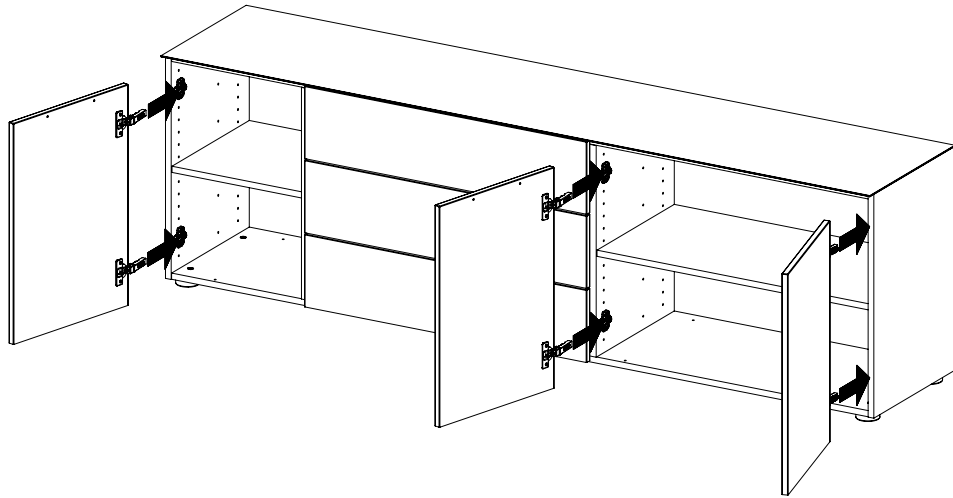
6x 1421



SCAN ME



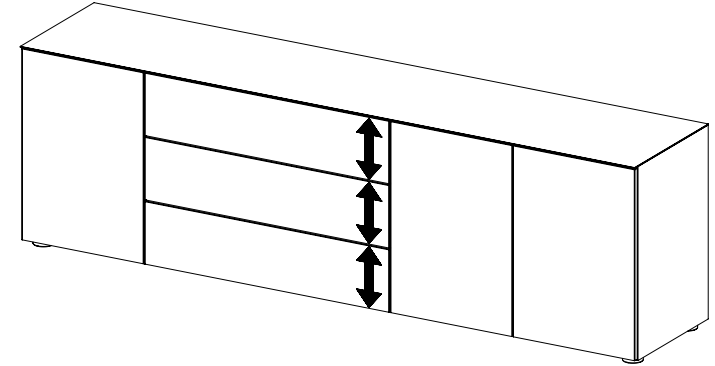
42



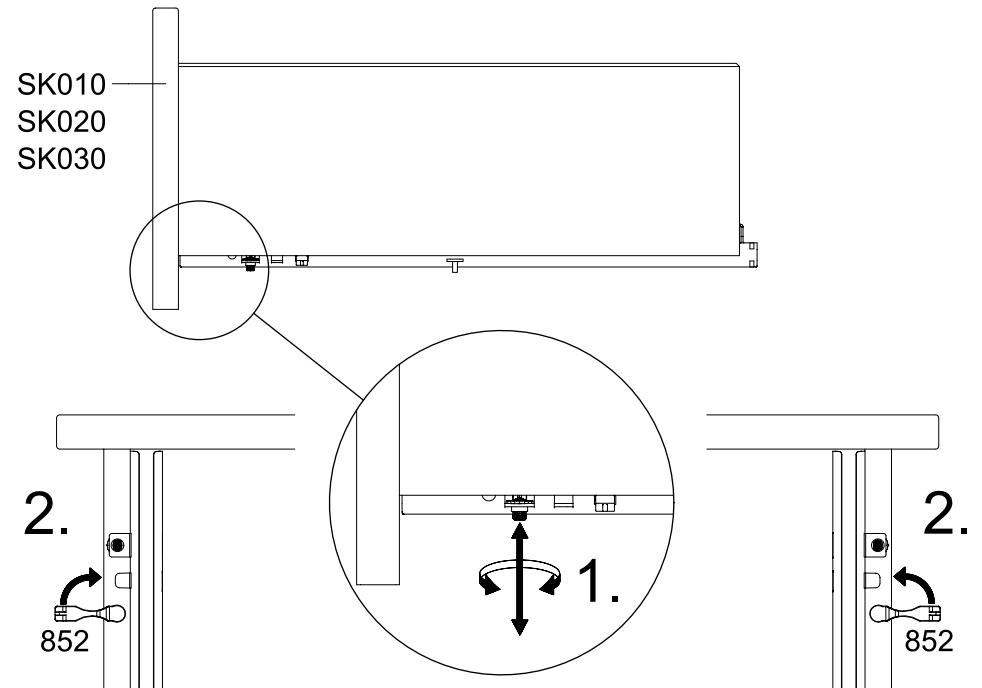
43



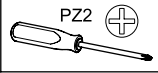
SCAN ME



SK010
SK020
SK030



44



SCAN ME

