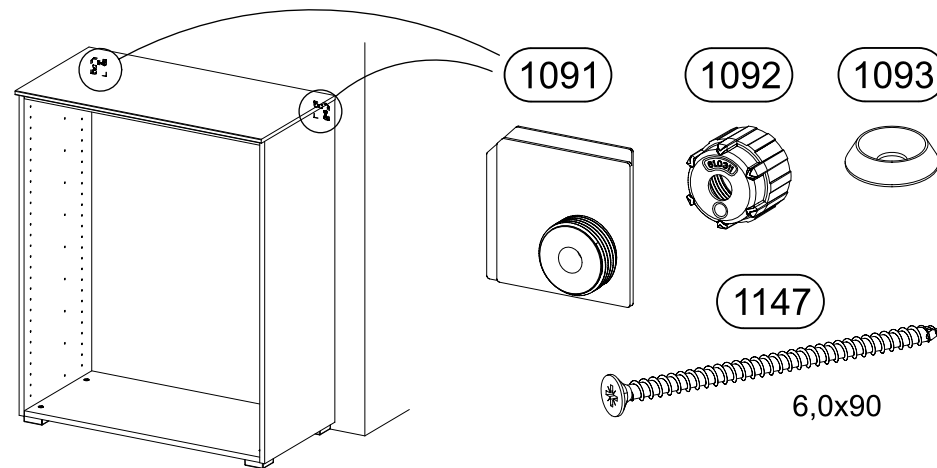
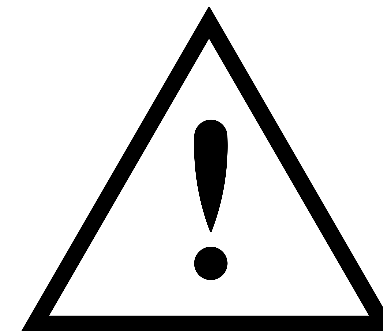
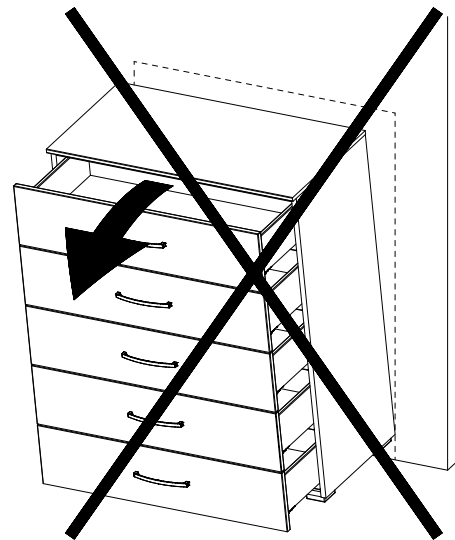
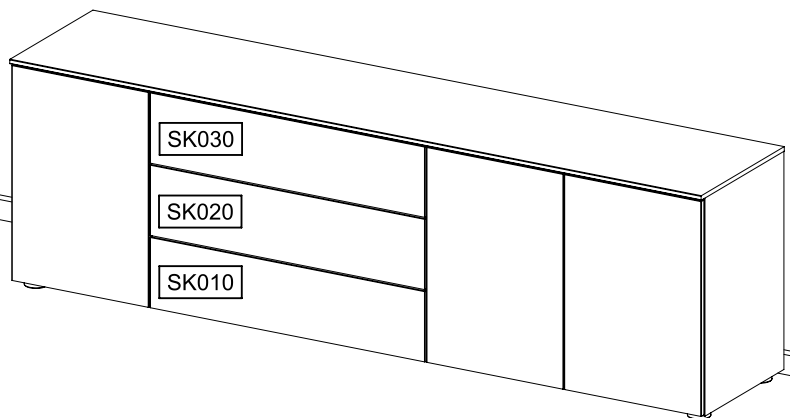
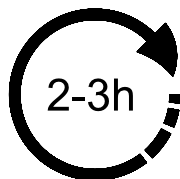
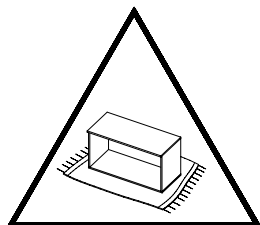
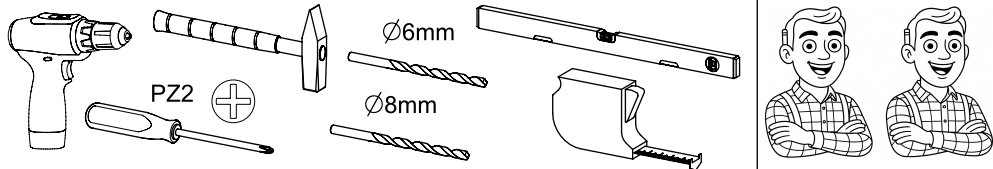


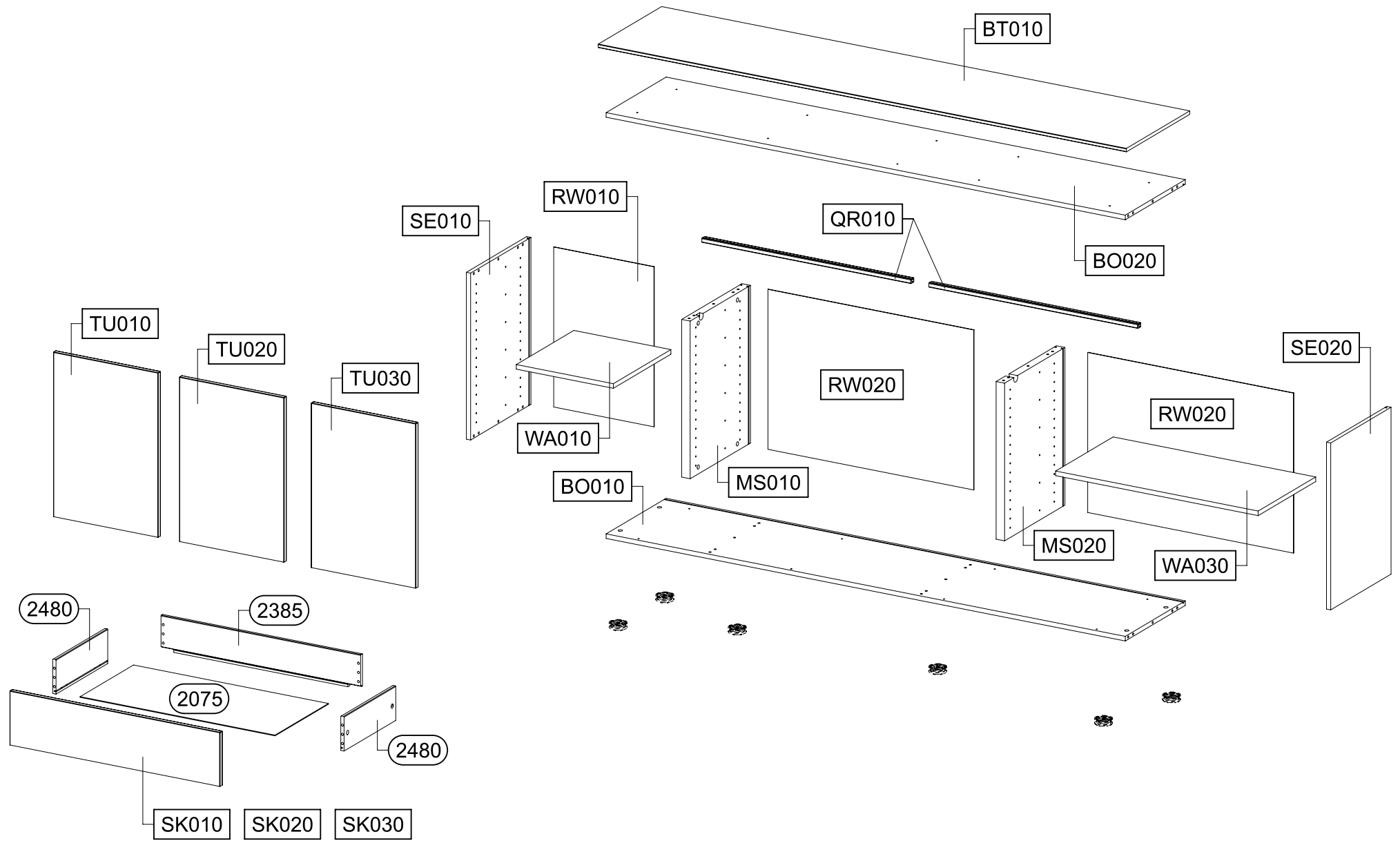
M3173_02

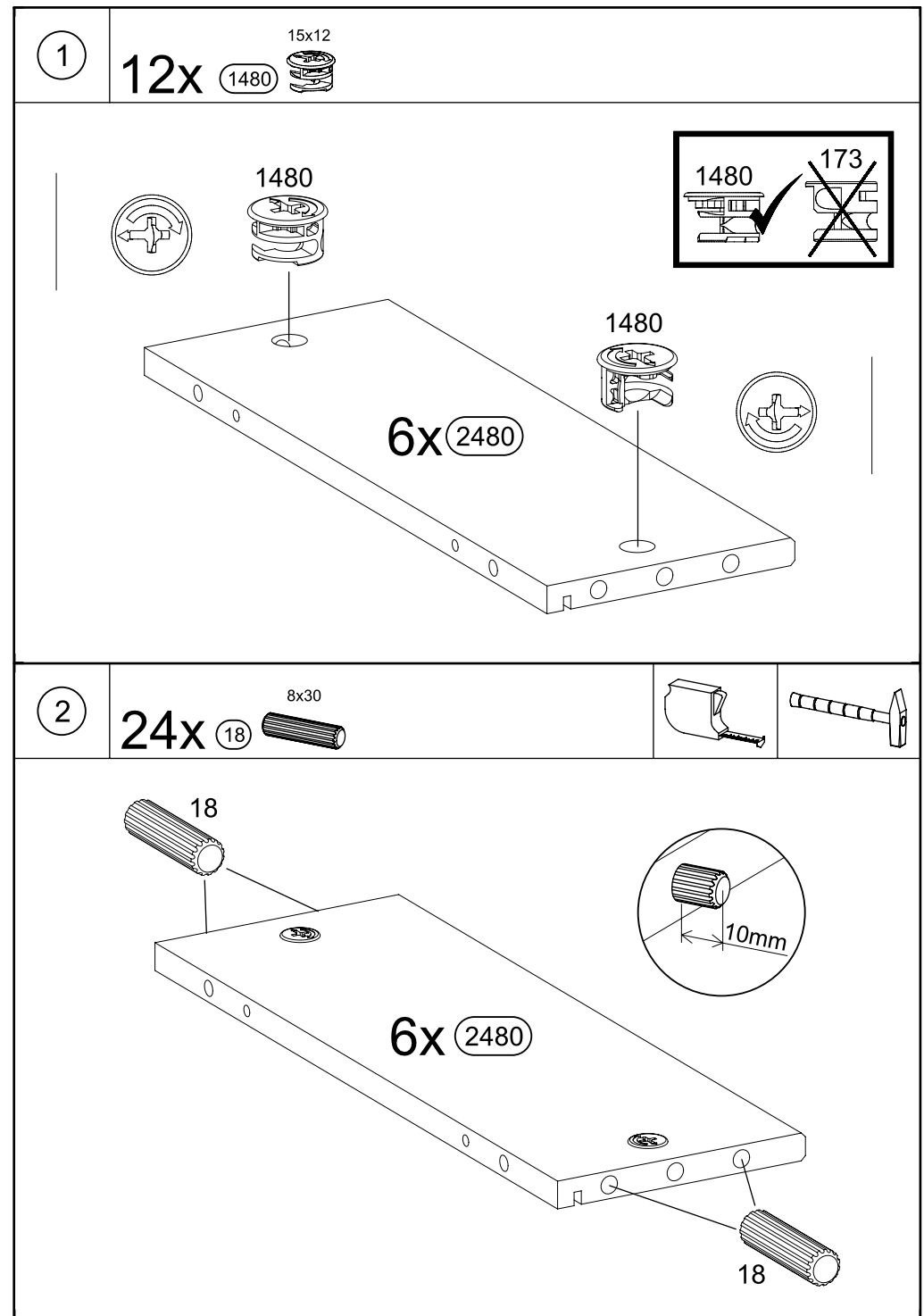
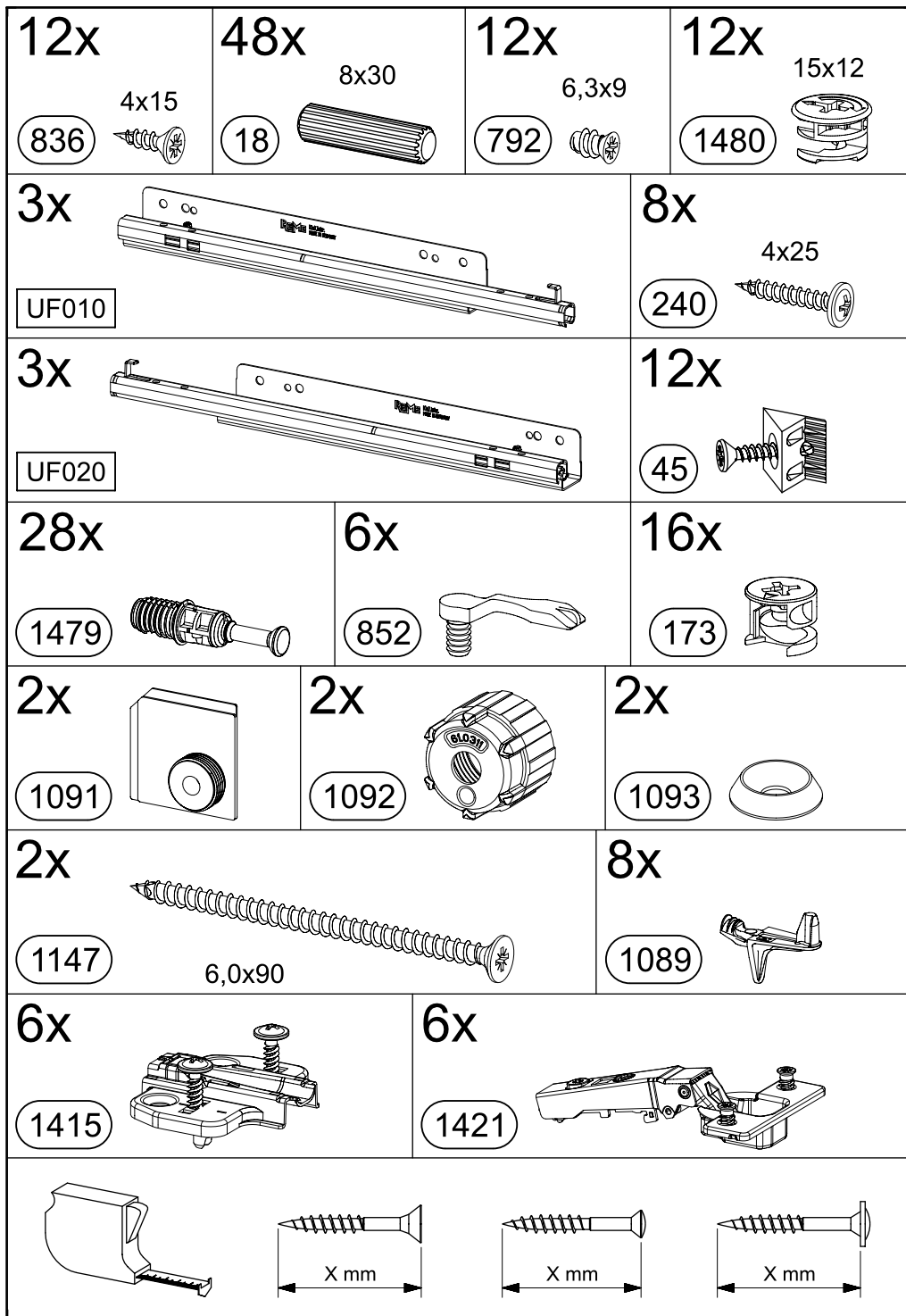


VIDEO



SCAN ME





3

1479

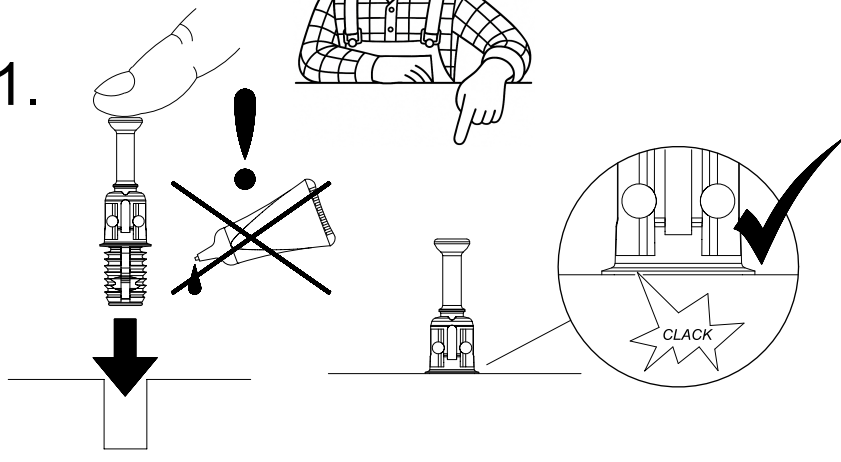
Function!



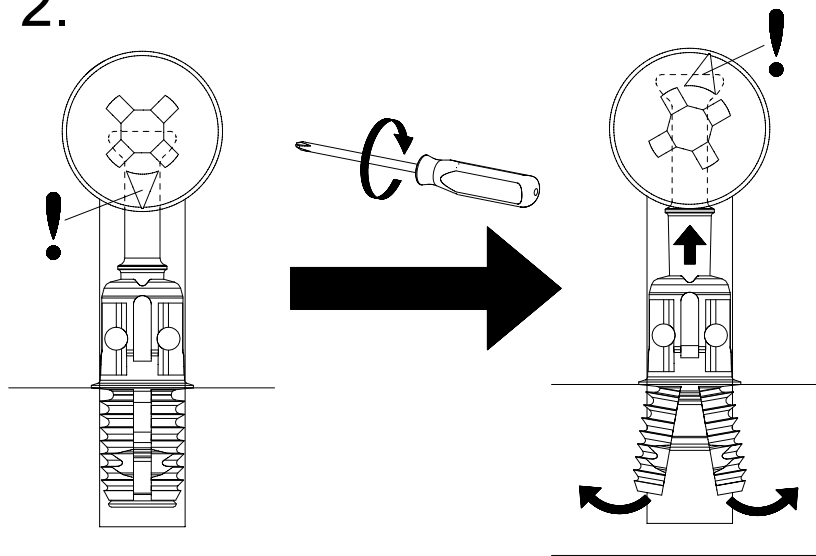
Scan Me



1.

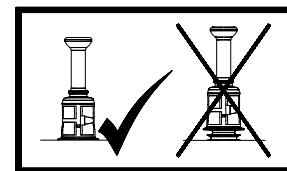


2.

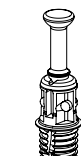


4

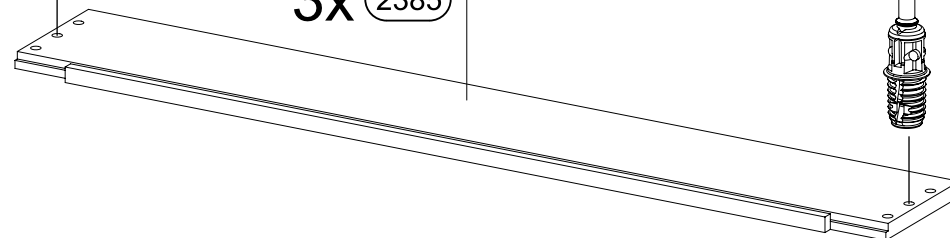
6x 1479



1479



3x 2385

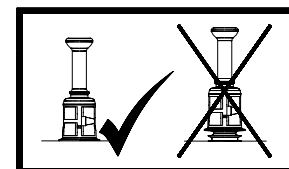


1479

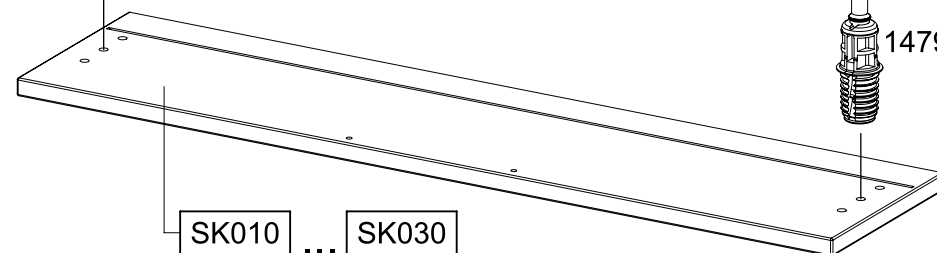


5

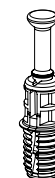
6x 1479



1479



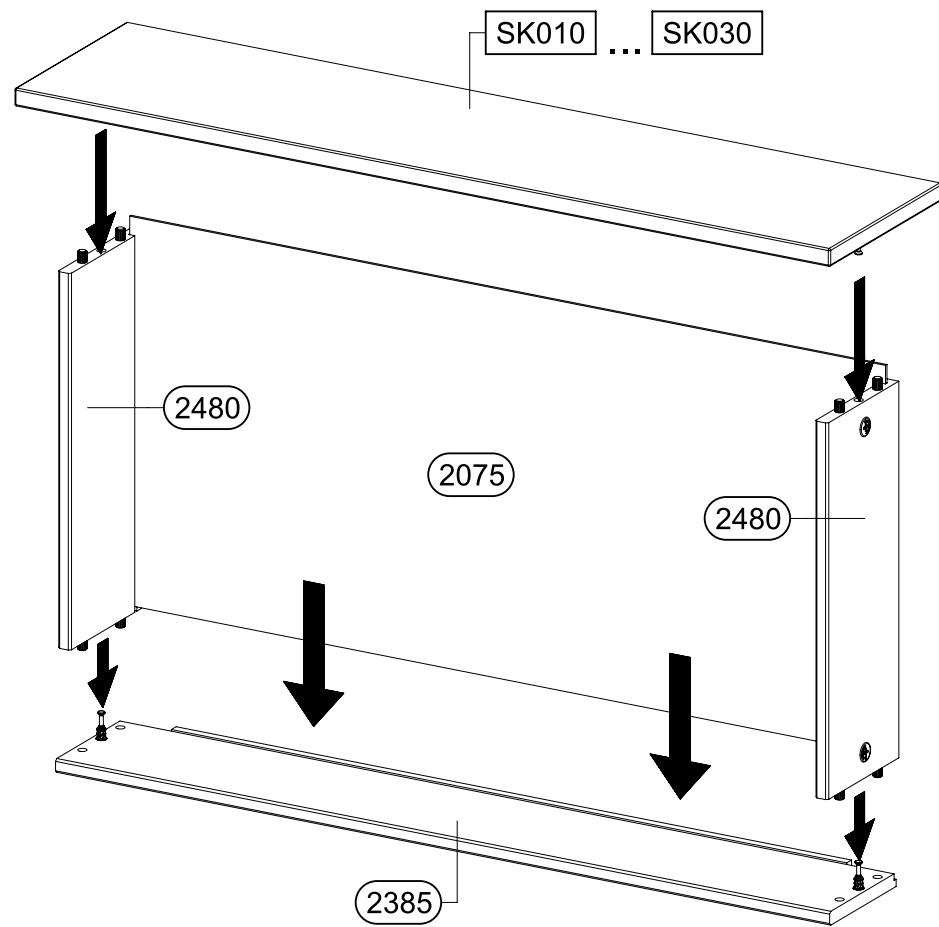
1479



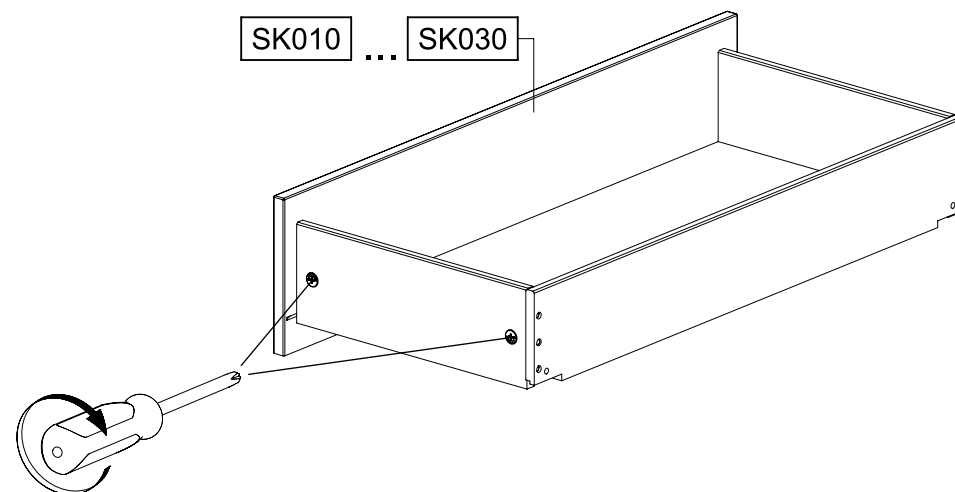
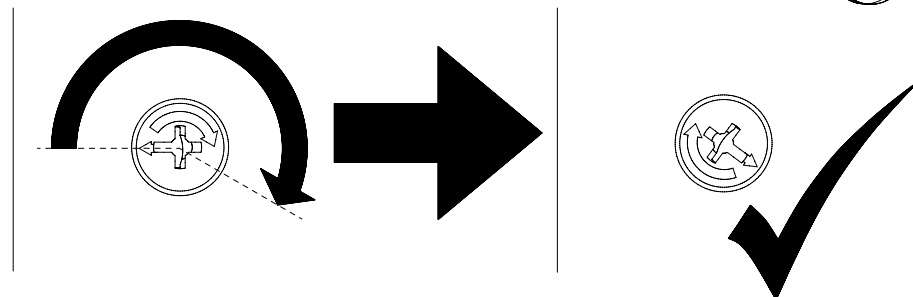
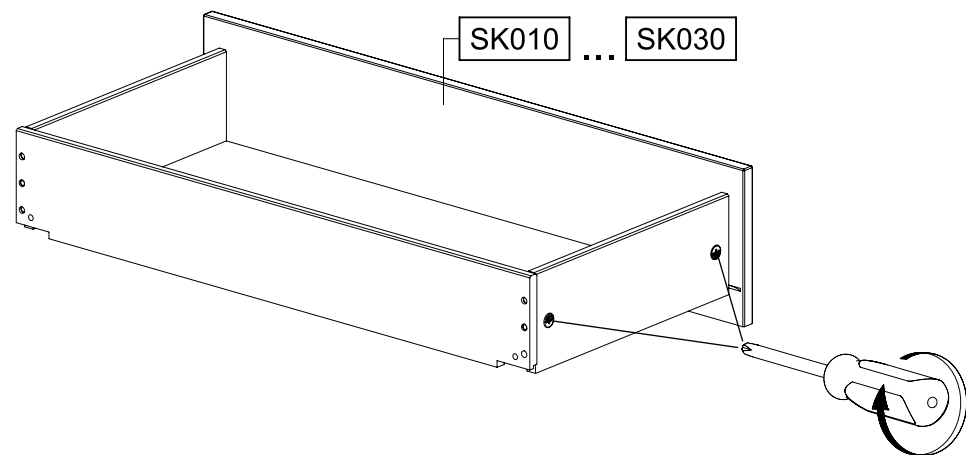
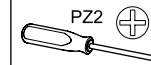
SK010 ... SK030

6

3x



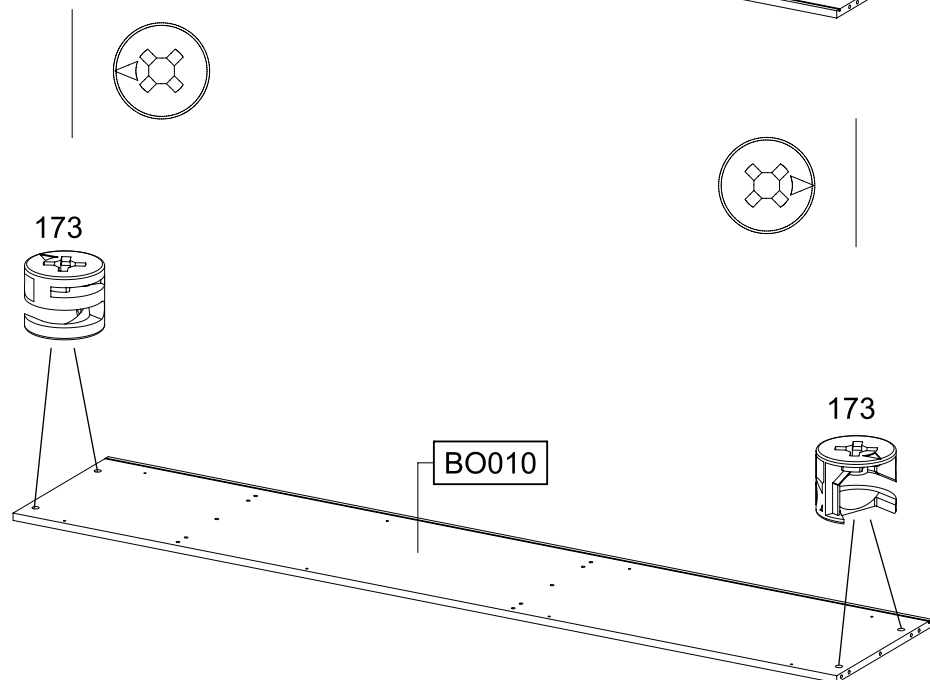
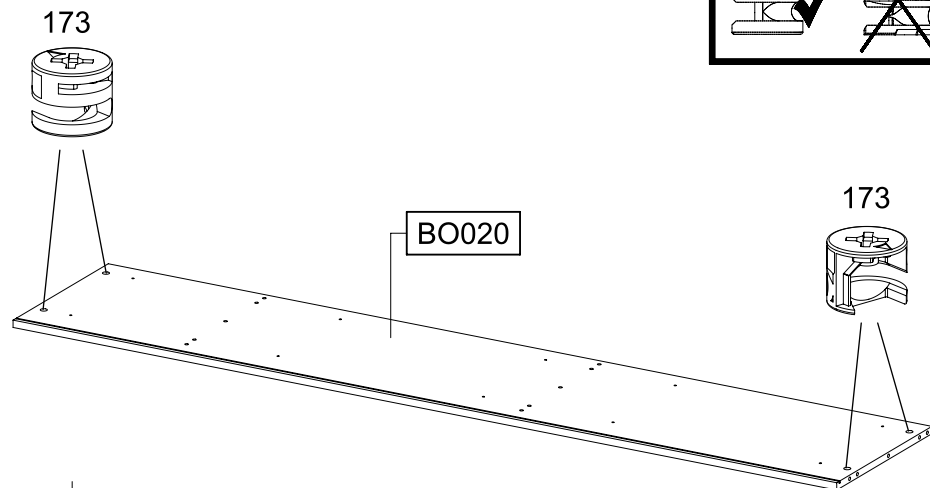
7



8

8x

173

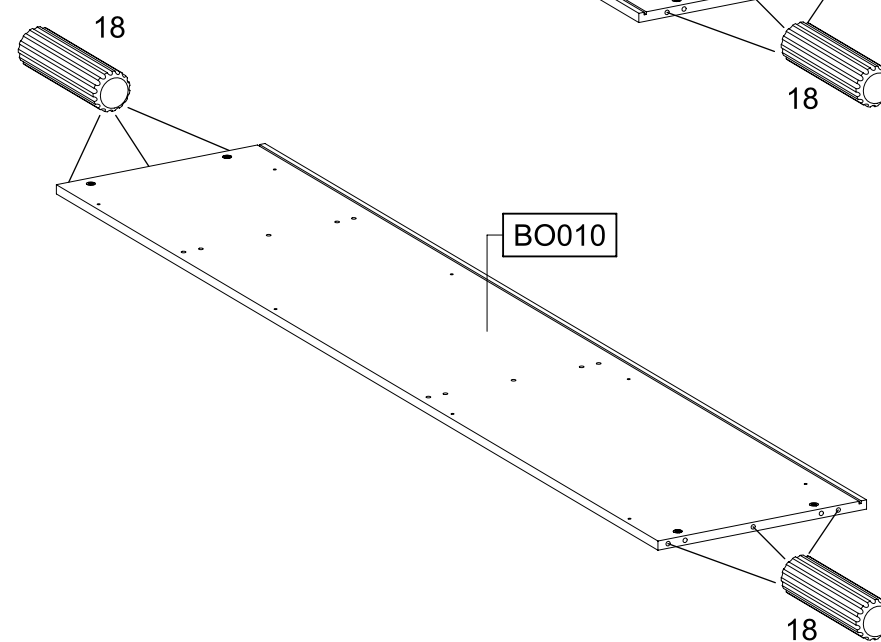
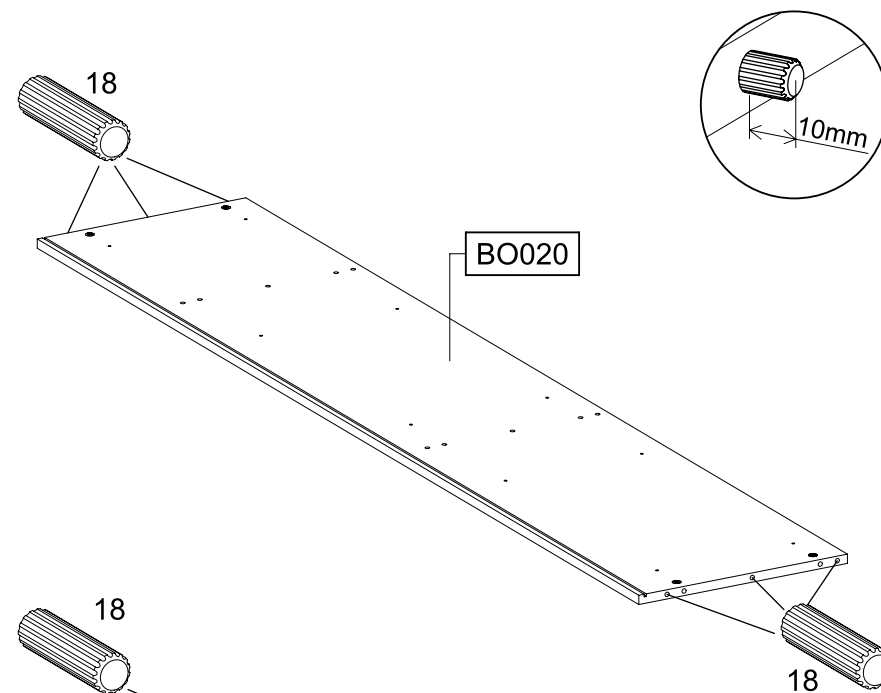
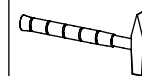
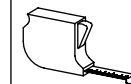


9

12x

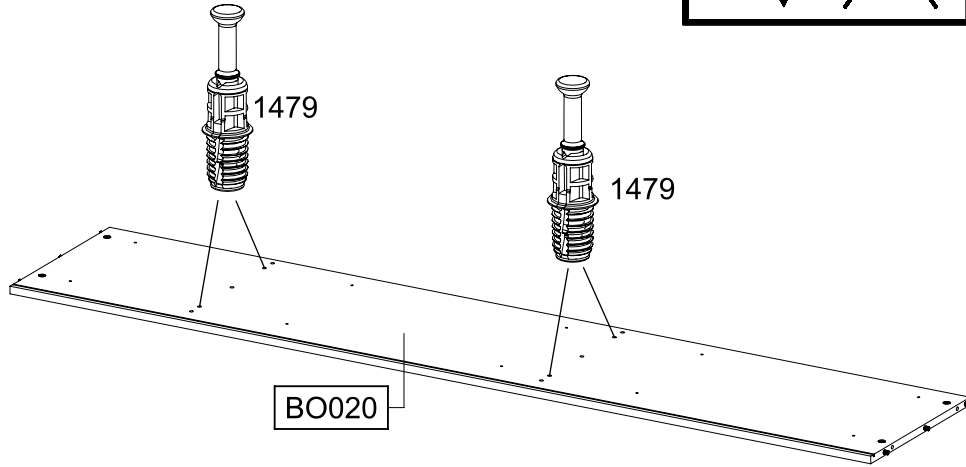
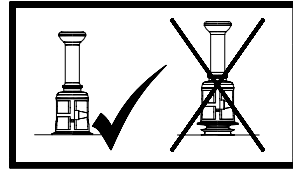
18

8x30

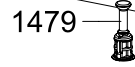


10

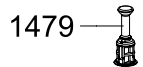
4x 1479 



BO020




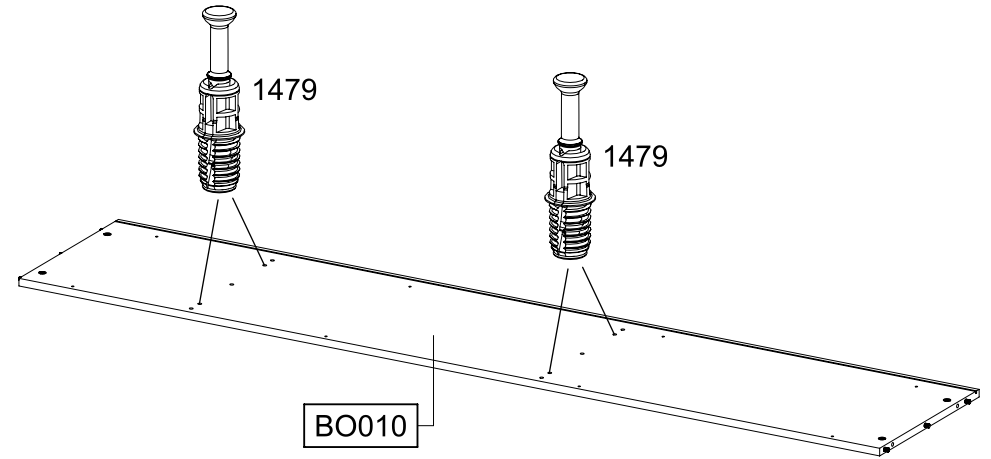
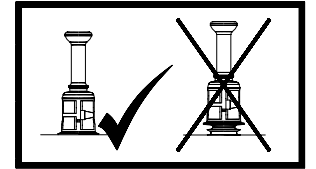
1479



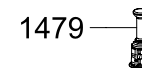
1479

11

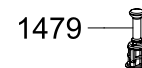
4x 1479 



BO010



1479

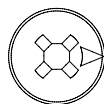
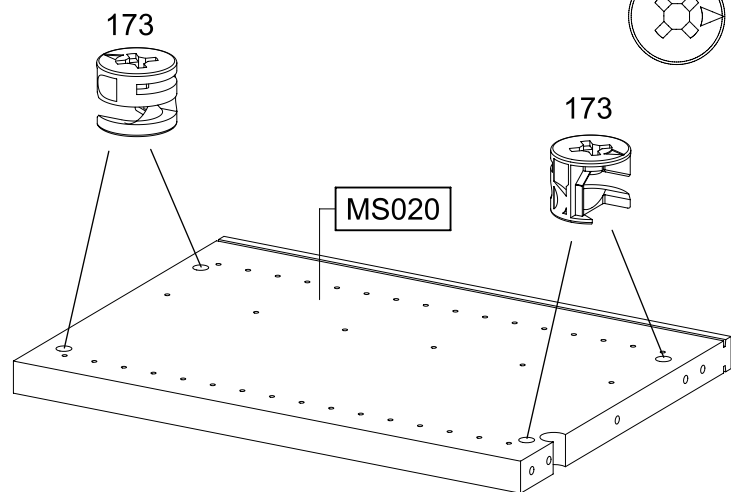
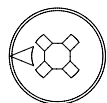
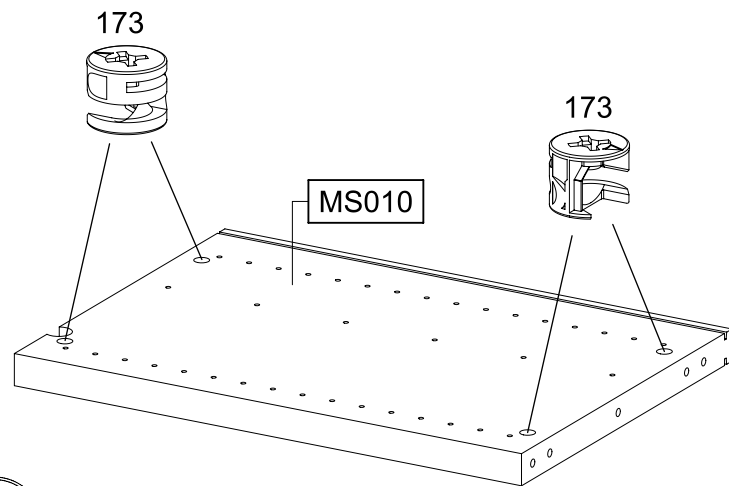
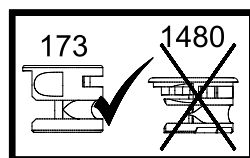
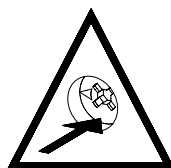
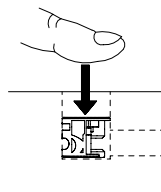


1479

12

8x

173

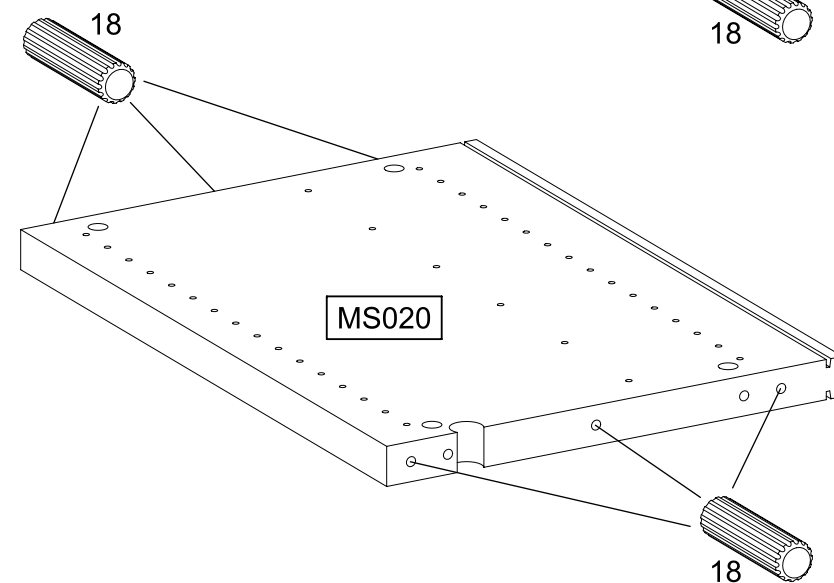
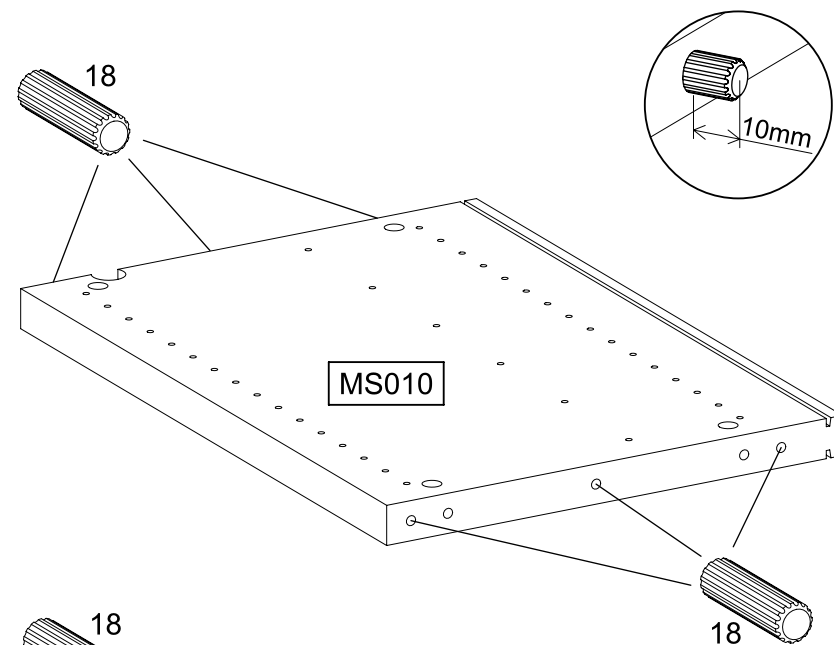
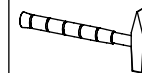
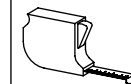


13


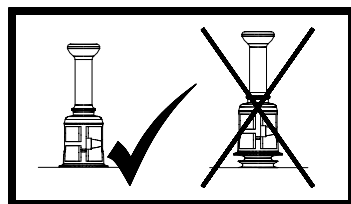
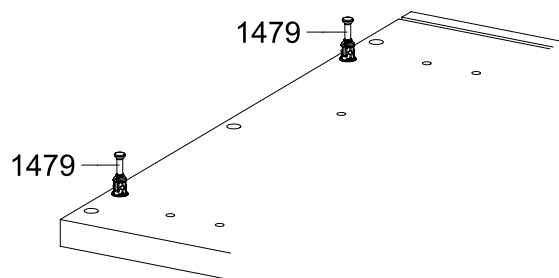
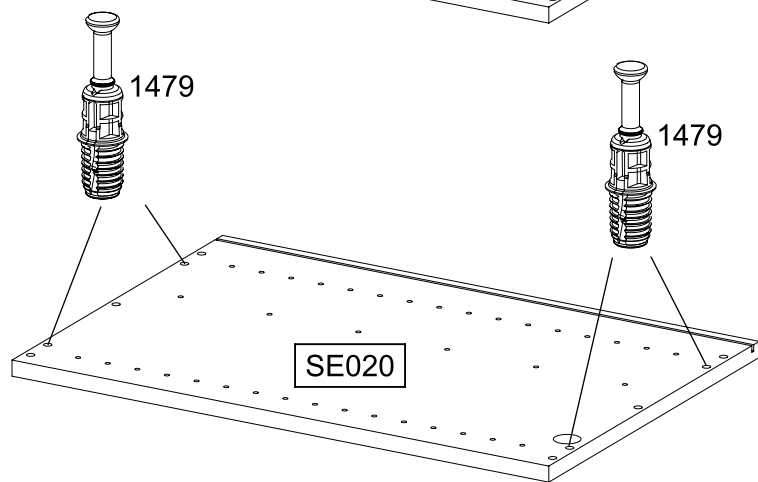
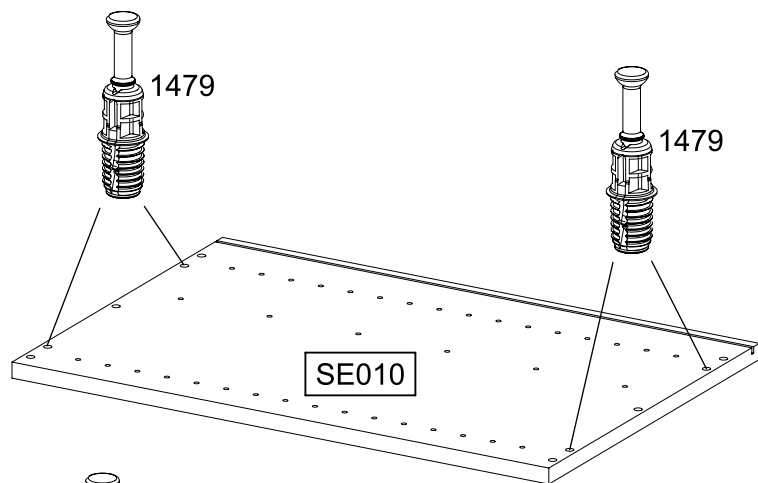
12x

18

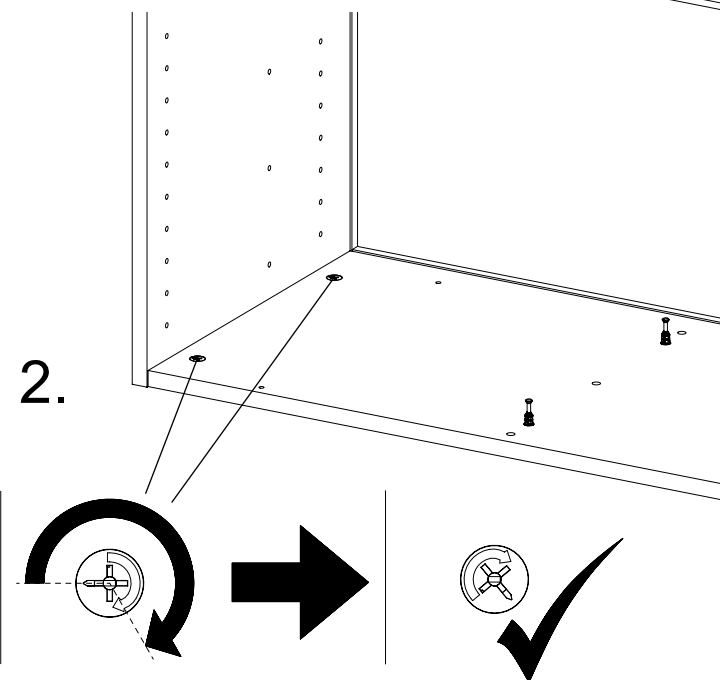
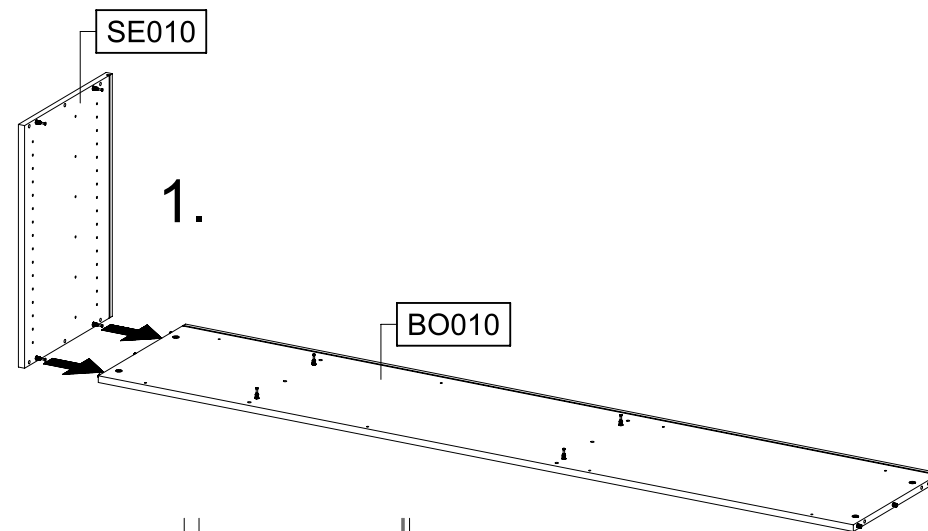
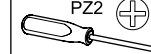
8x30



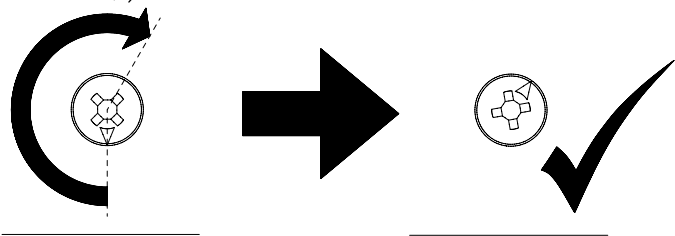
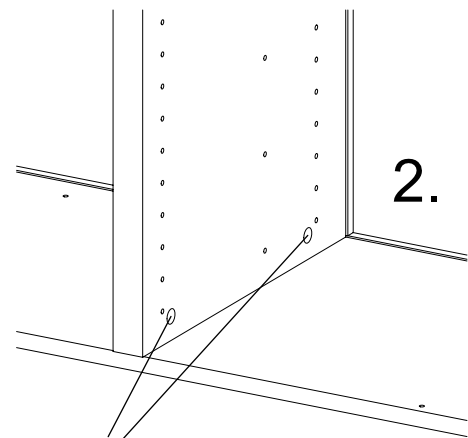
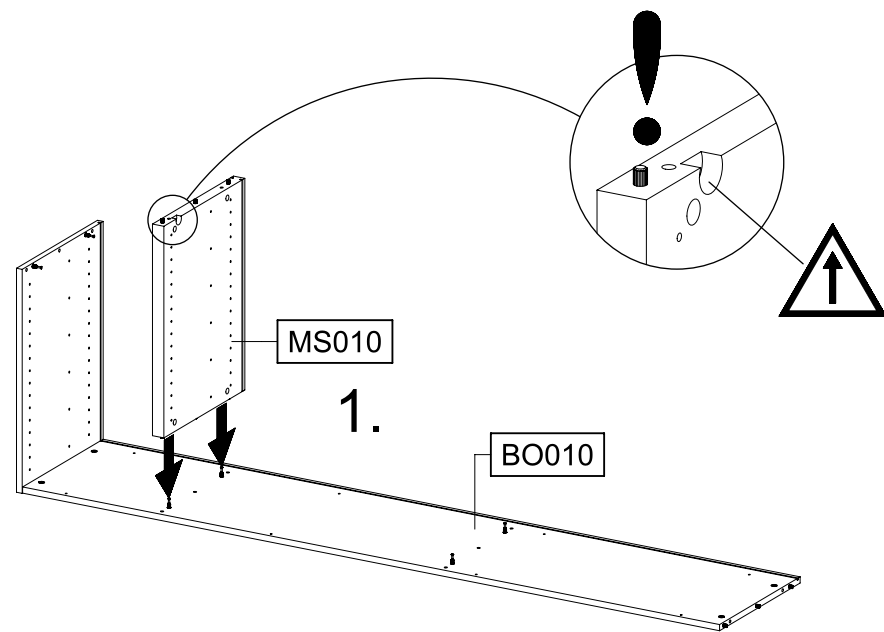
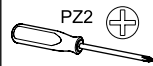
14

8x  1479

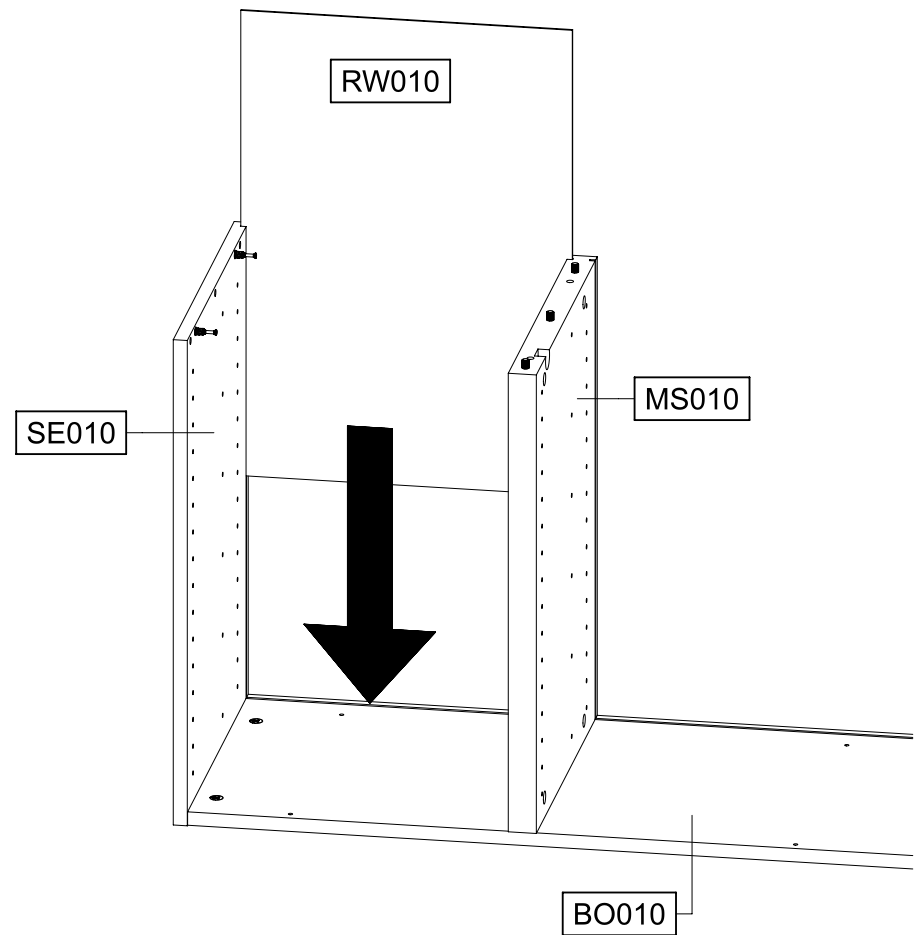
15

PZ2 

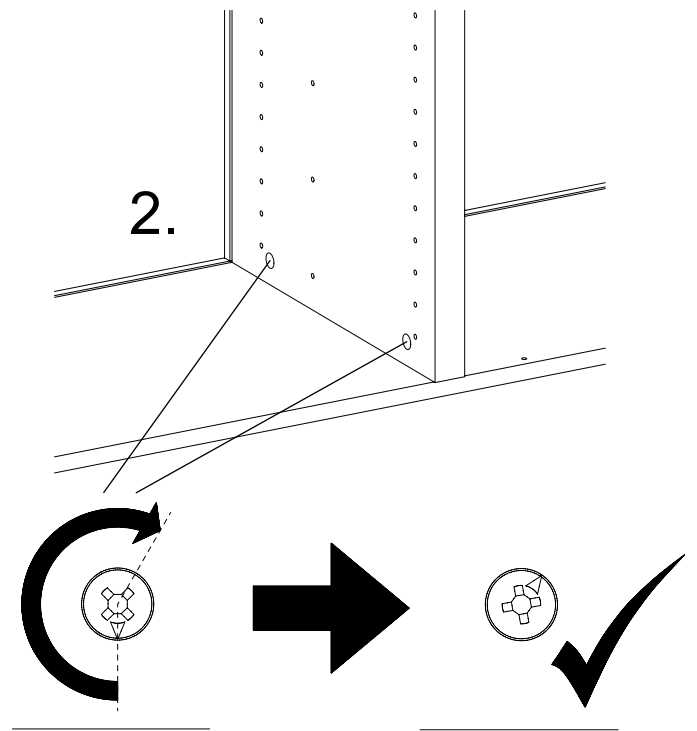
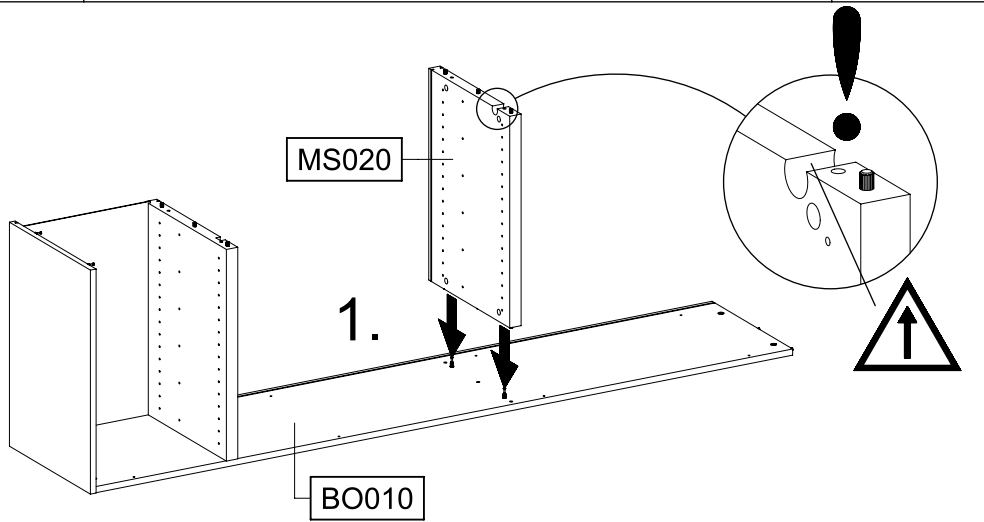
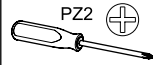
16



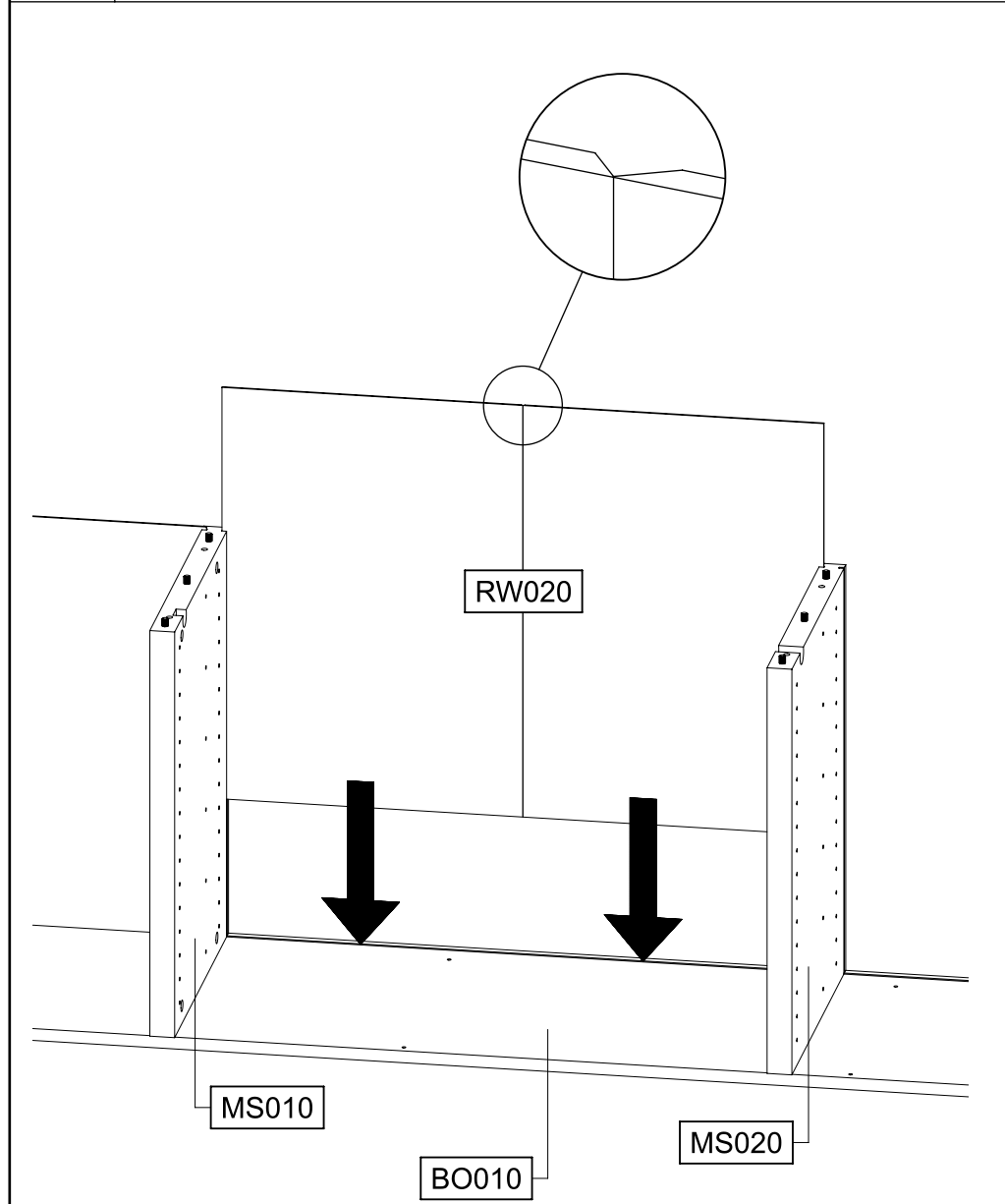
17



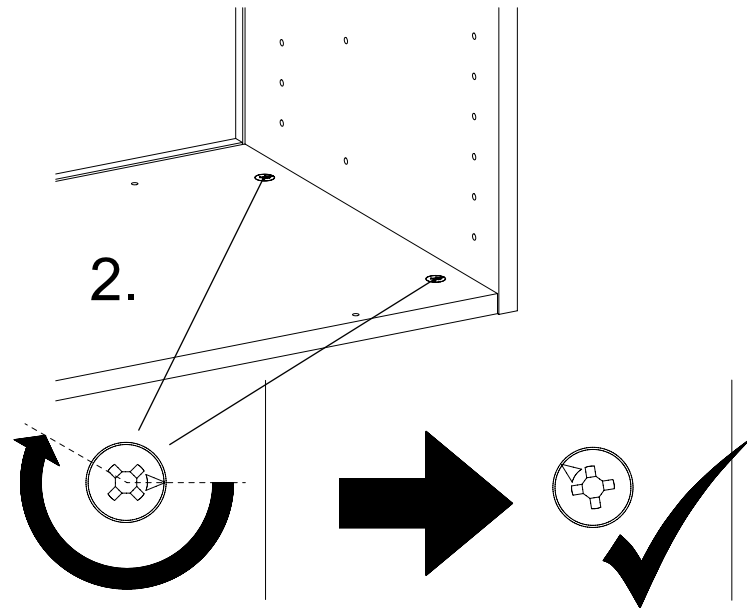
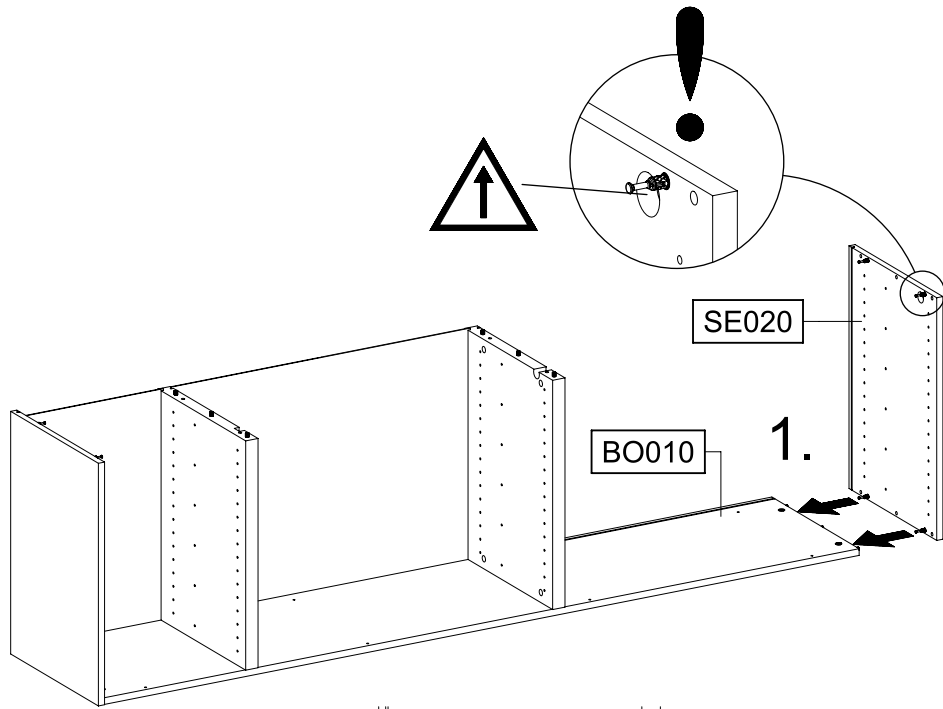
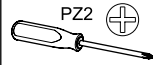
18



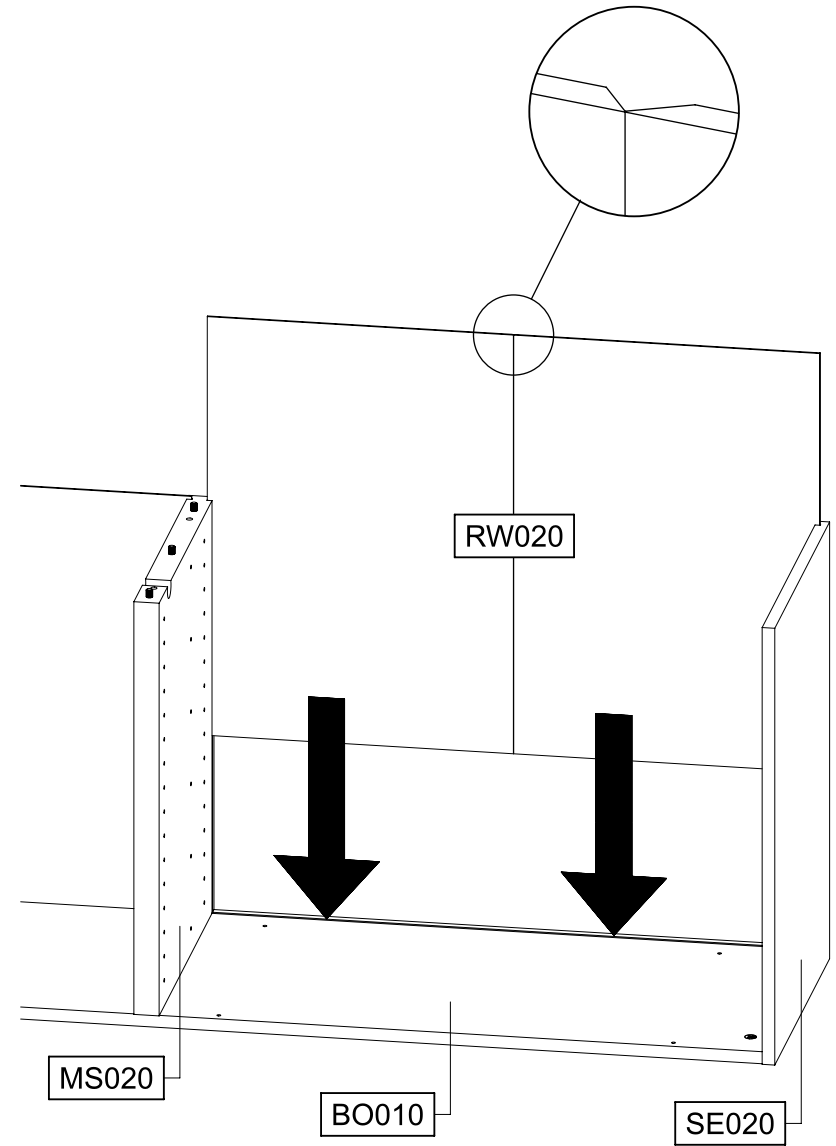
19

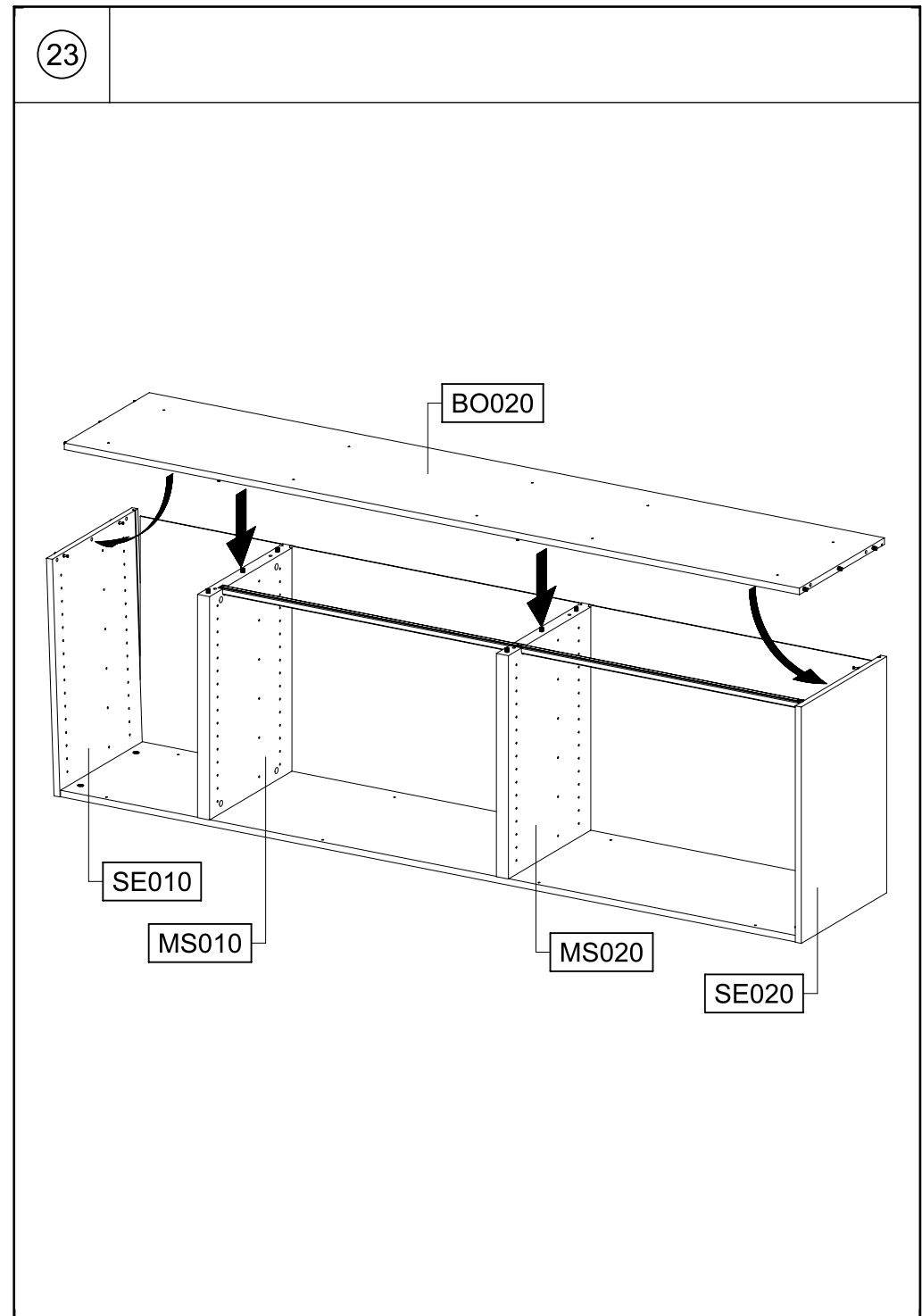
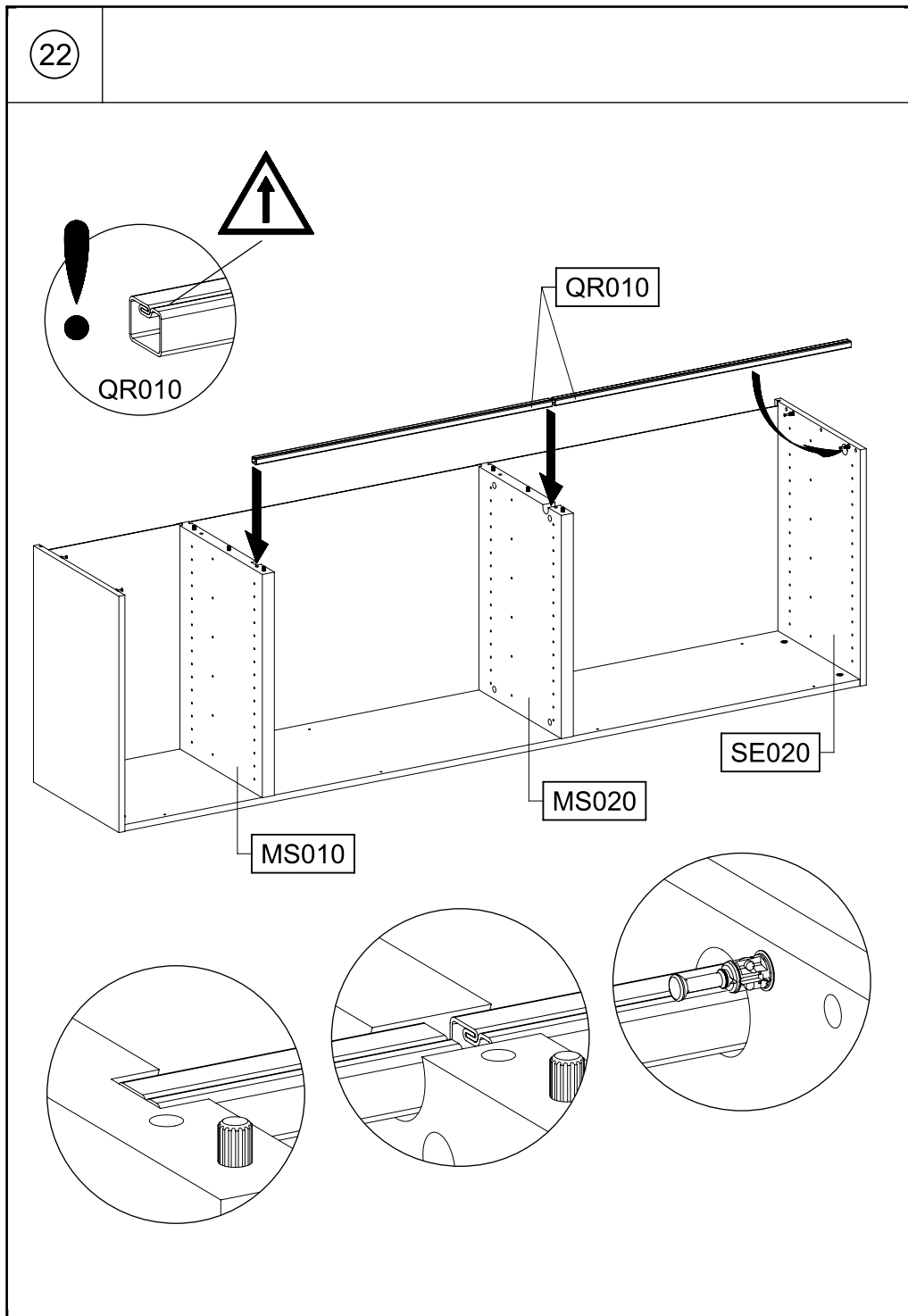


20

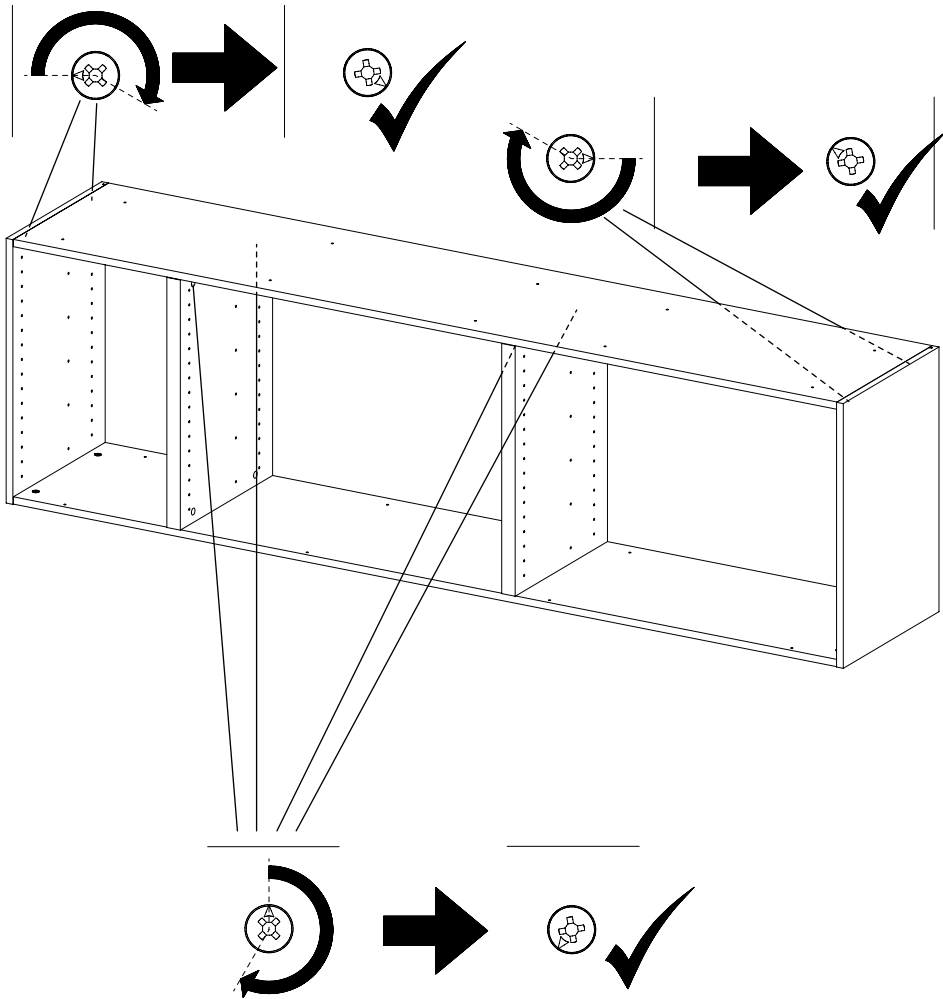
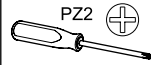


21





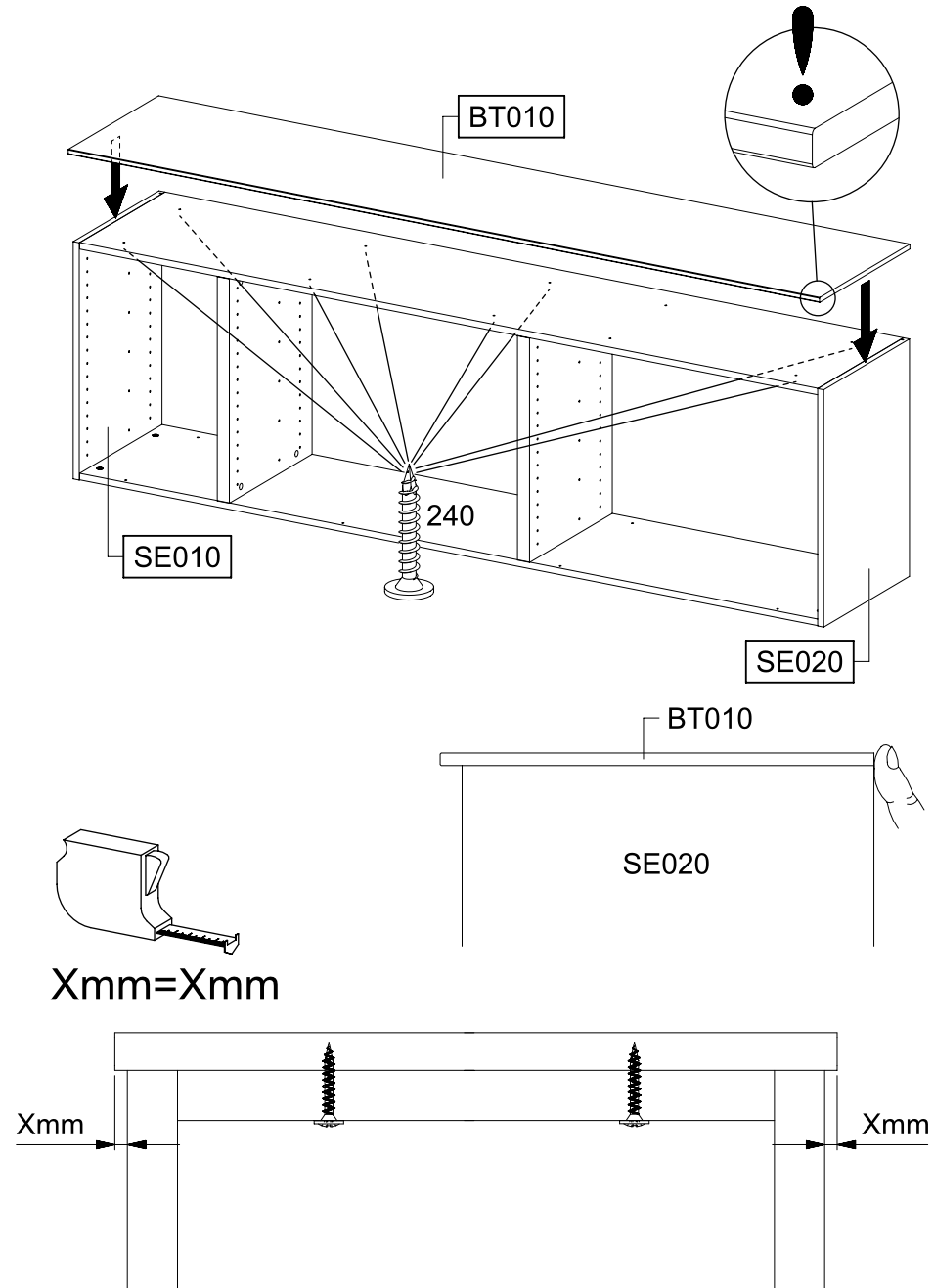
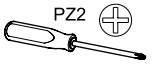
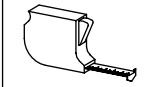
24

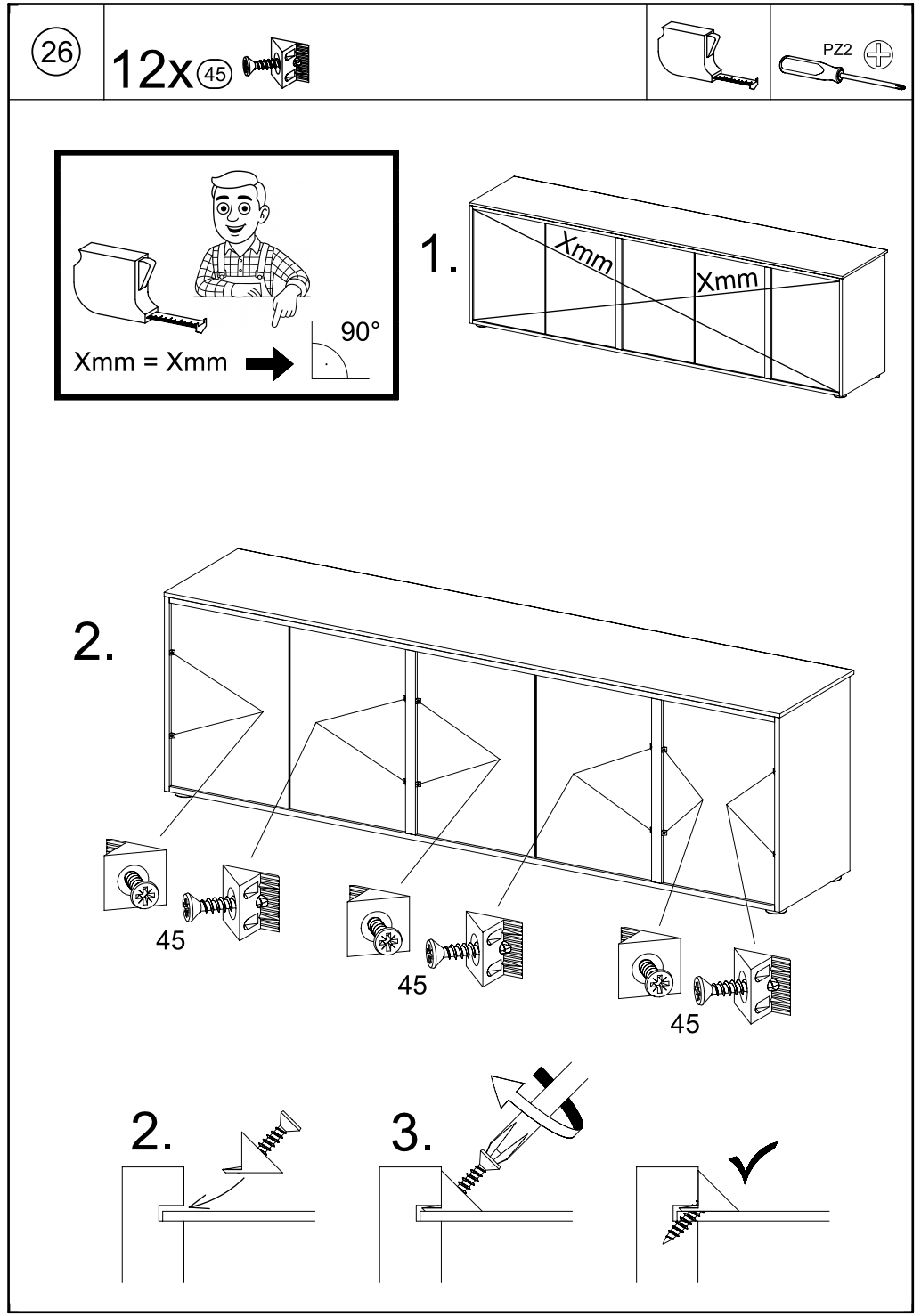
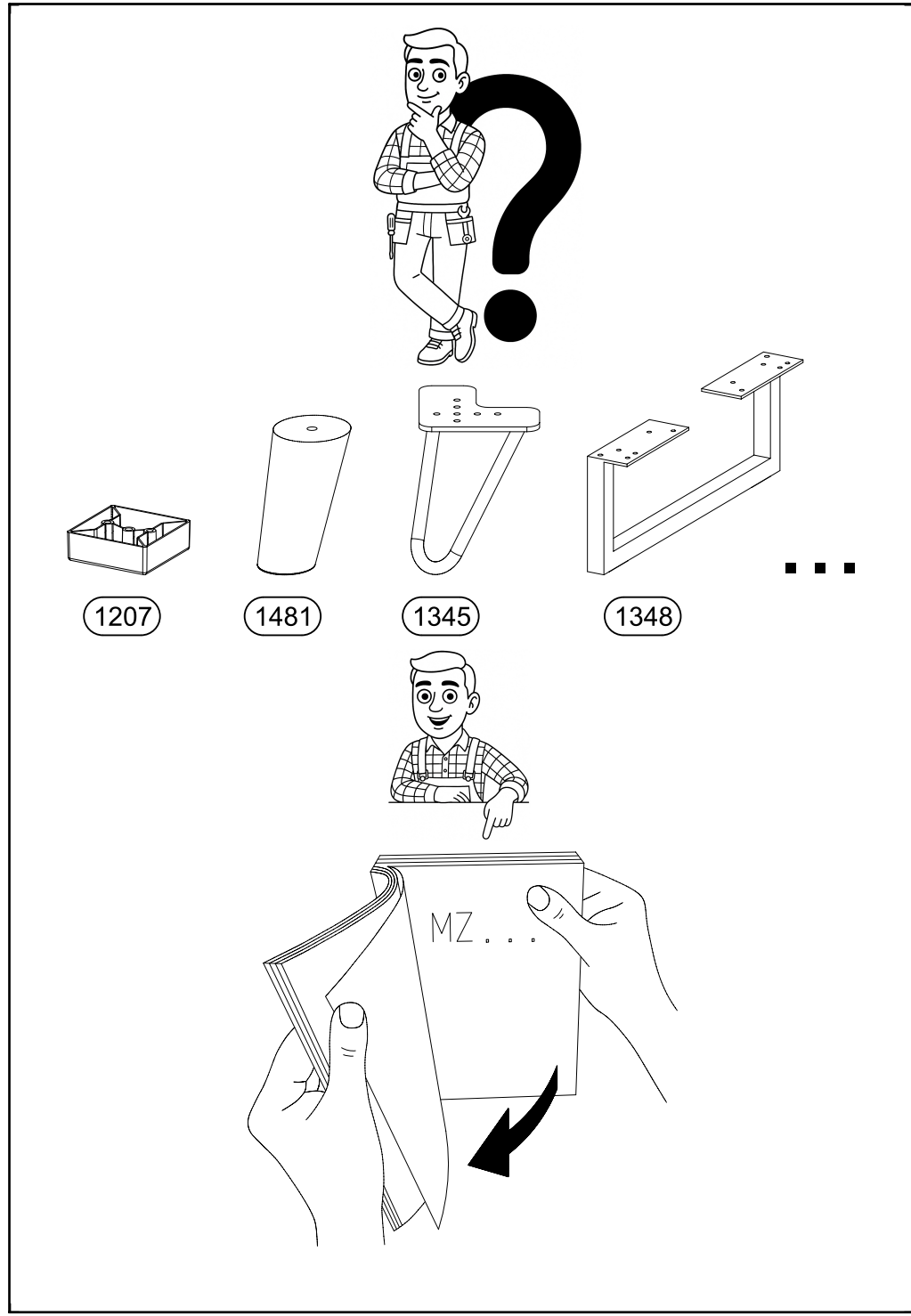


25

8x

240





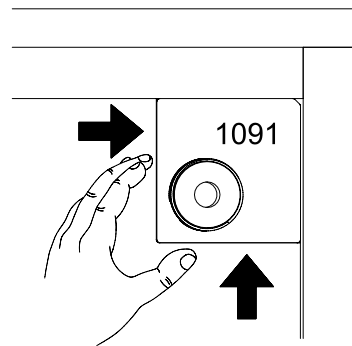
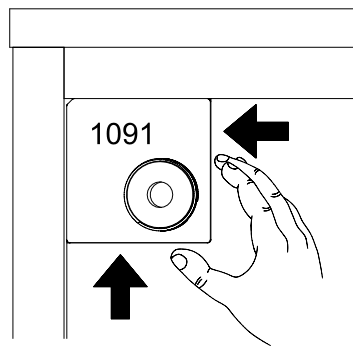
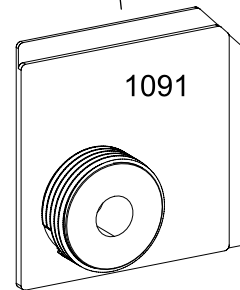
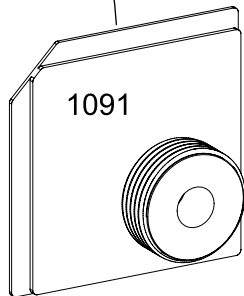
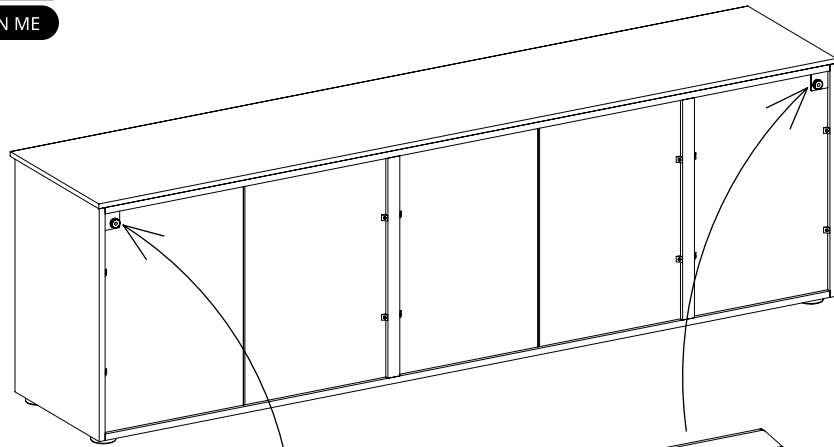
27

2x

1091



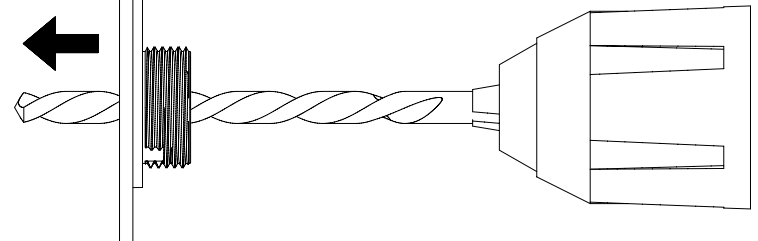
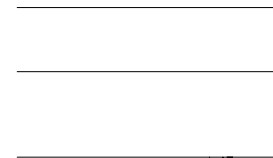
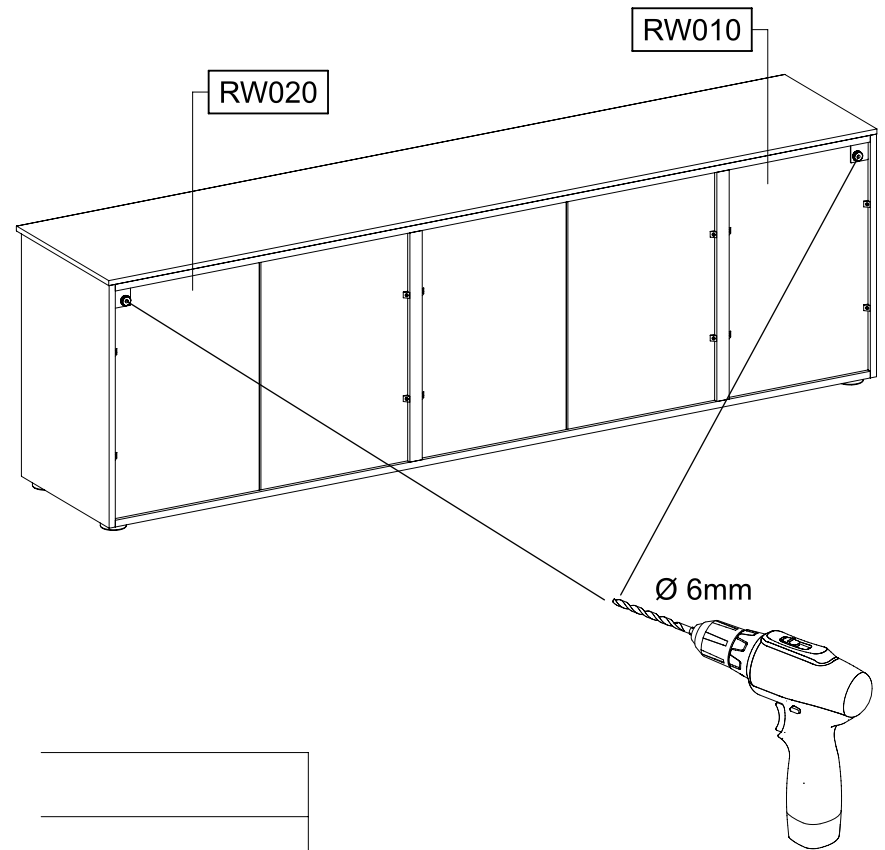
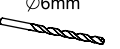
SCAN ME

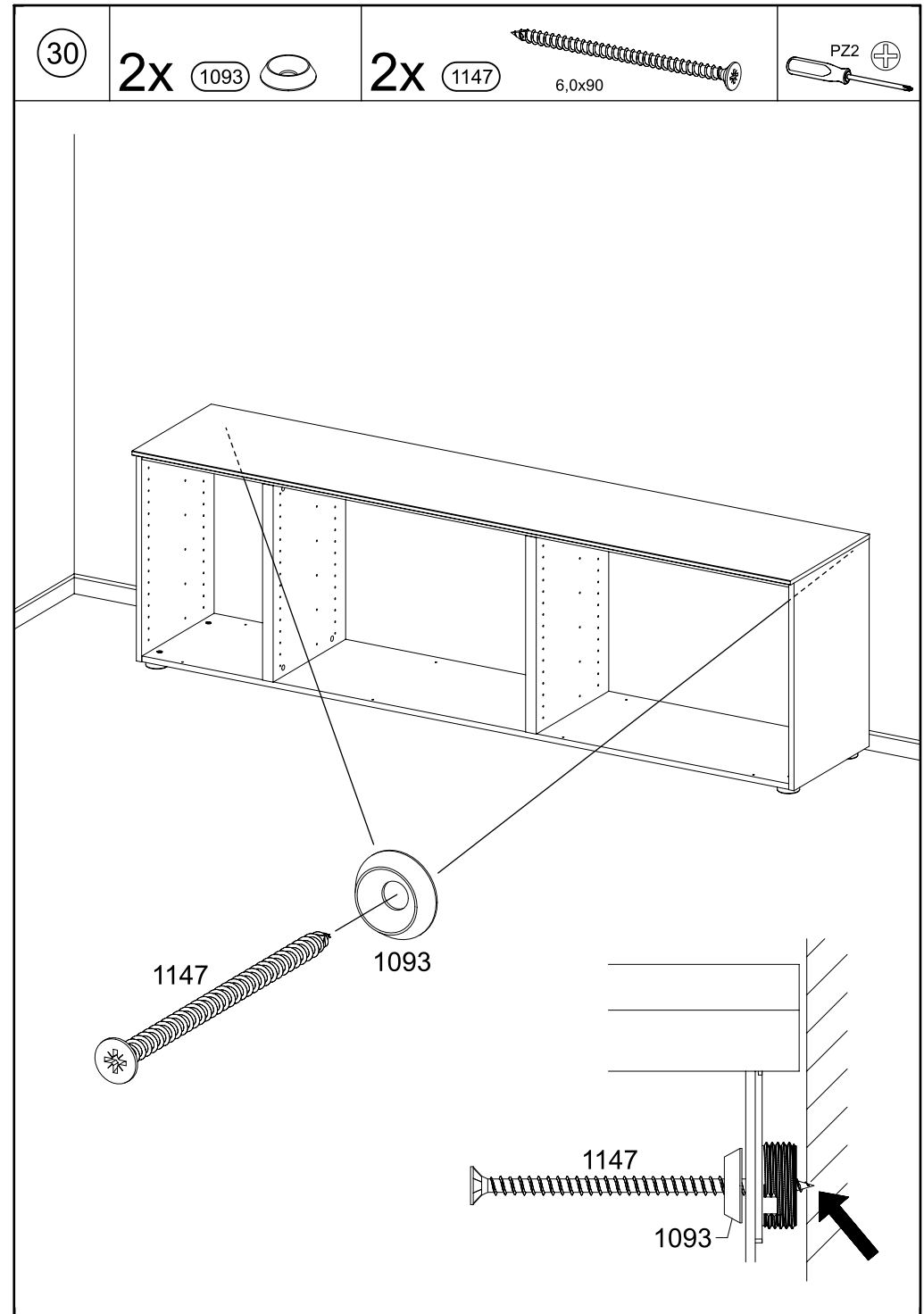
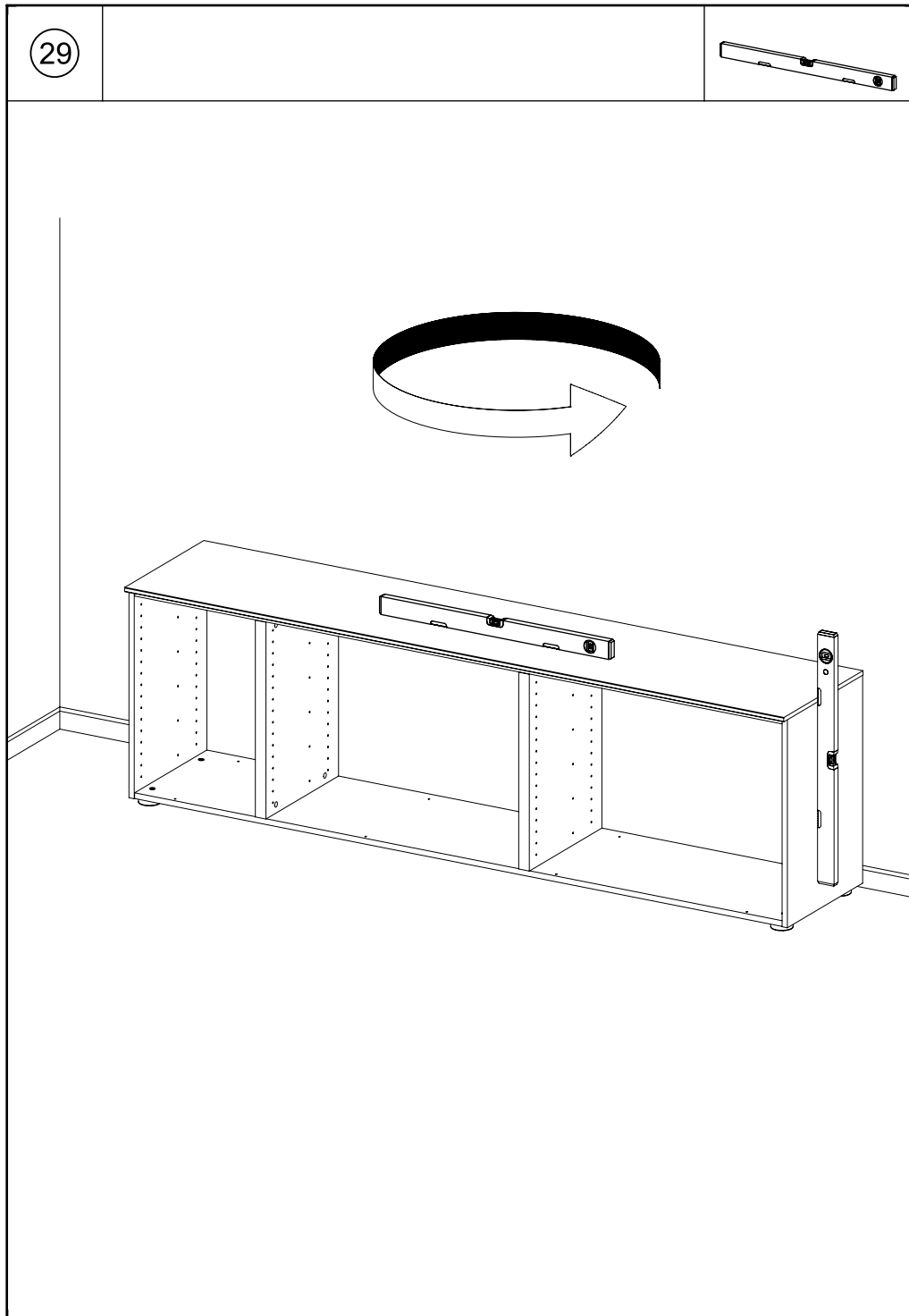


28



Ø6mm

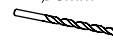




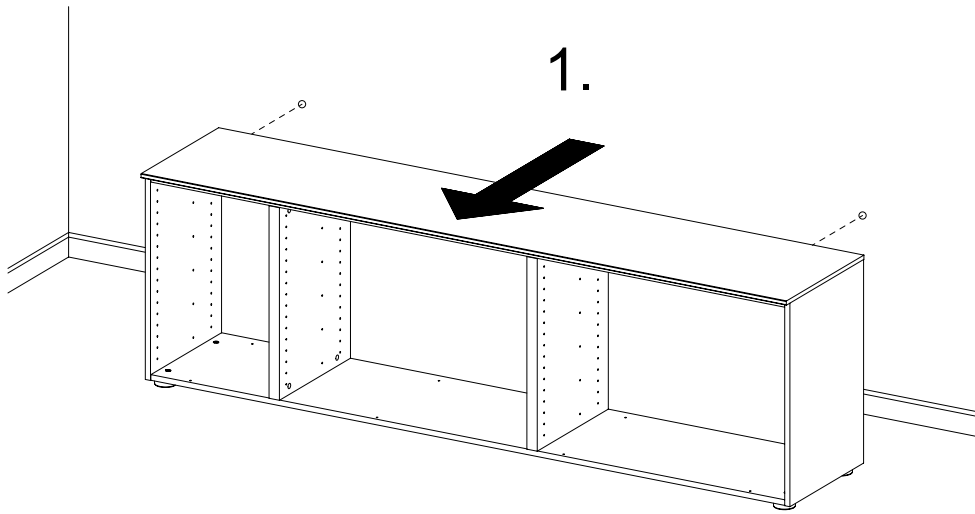
31



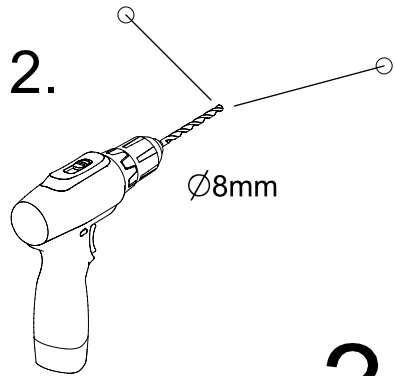
Ø8mm



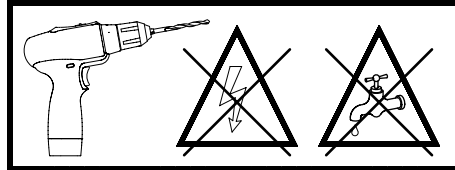
1.



2.

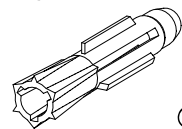
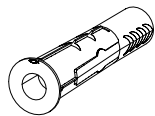
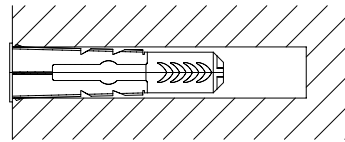


Ø8mm



?

3.



Ø8mm

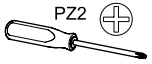
32

2x

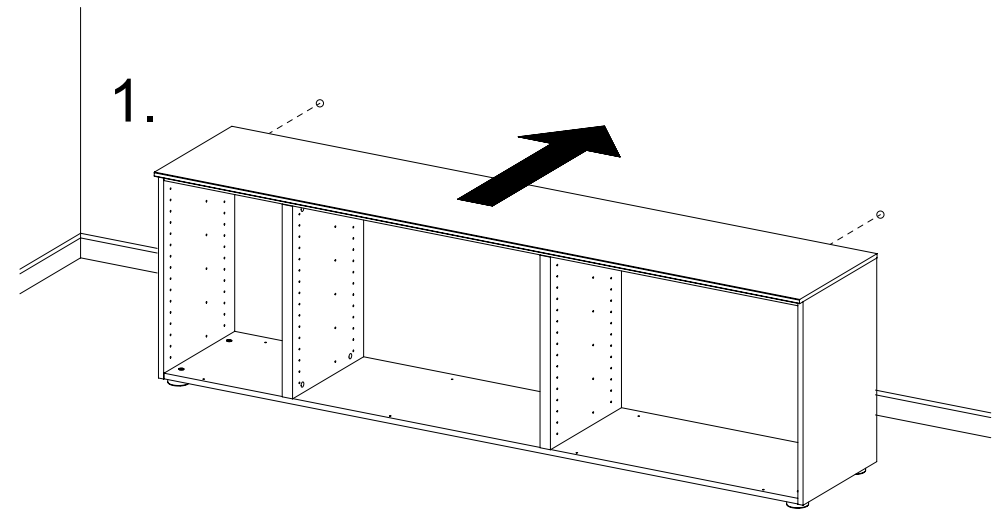
1092



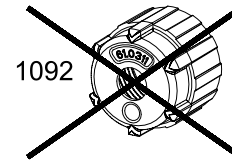
PZ2



1.



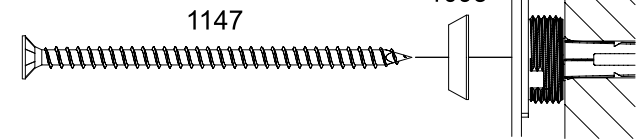
1092



2.

1147

1093



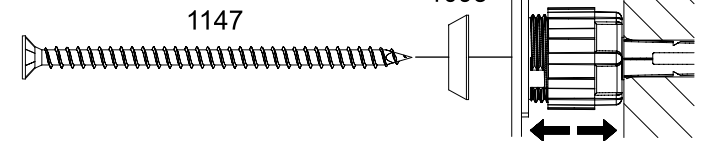
10-15mm

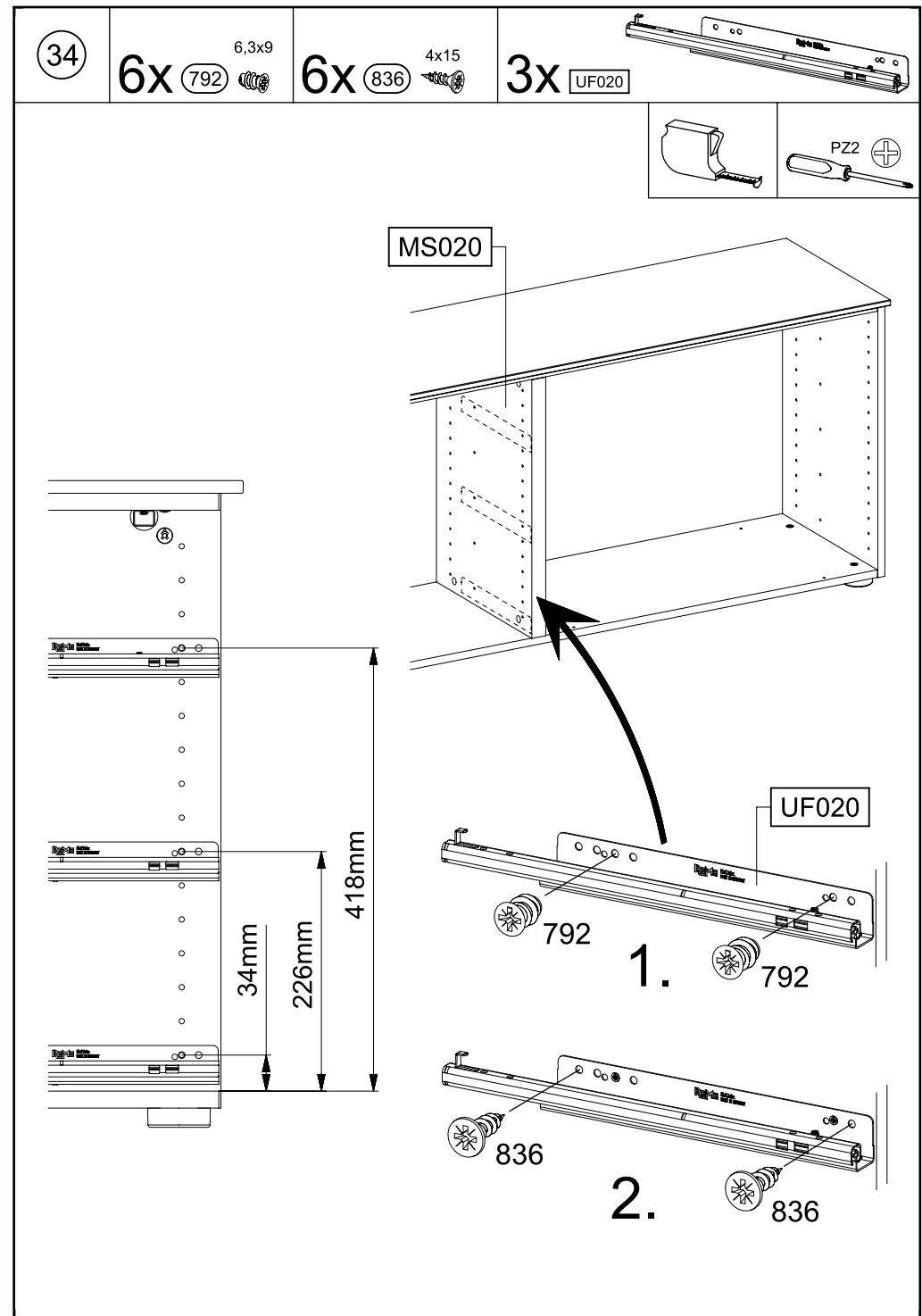
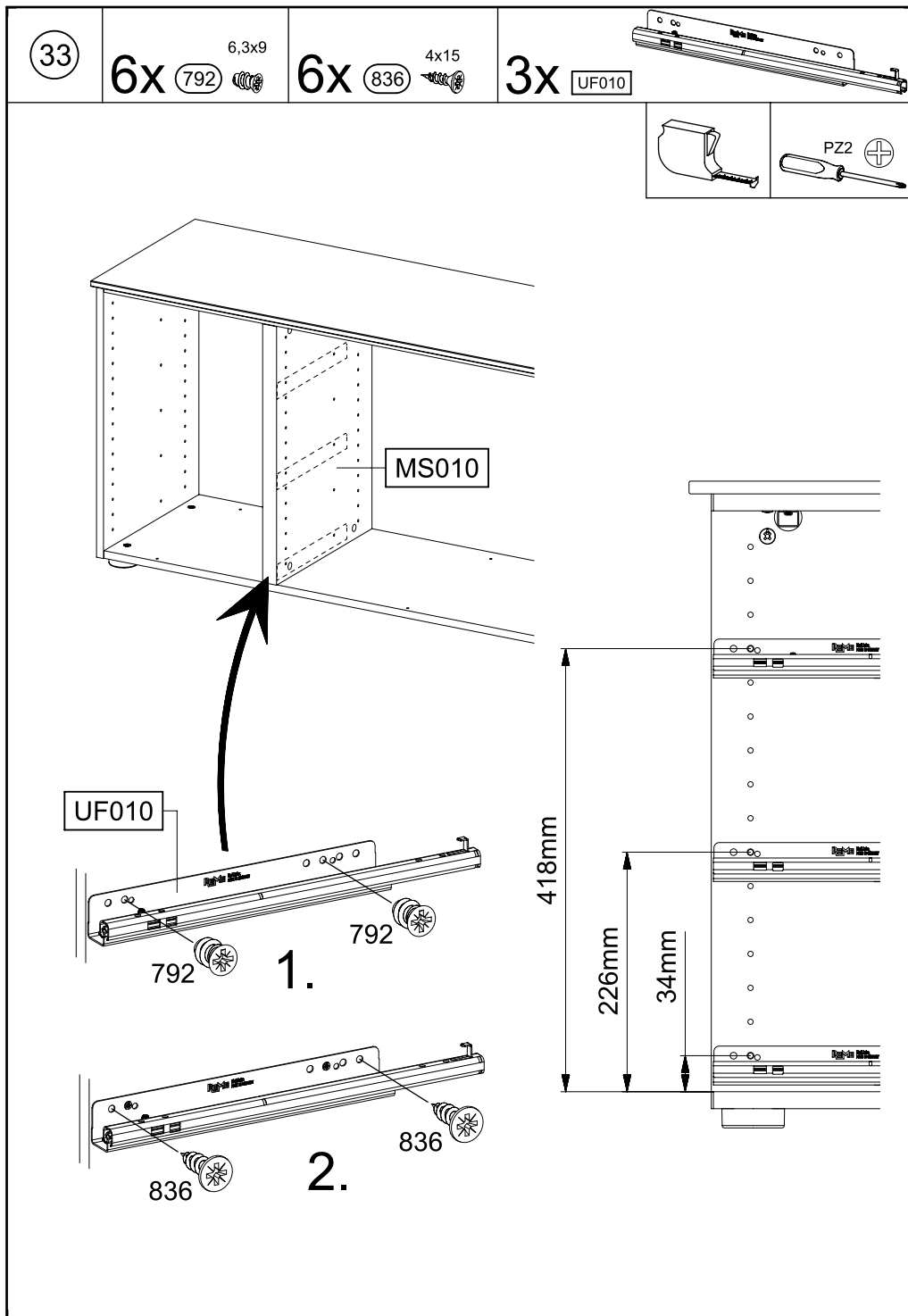


2.

1147

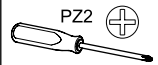
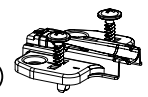
1093



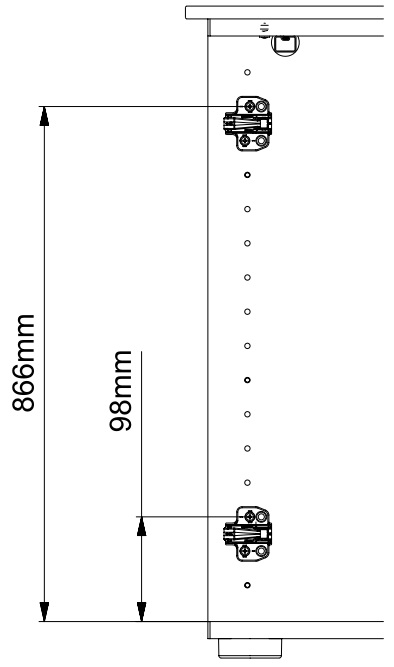
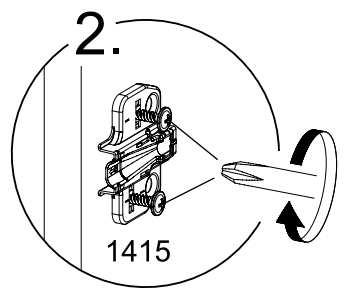
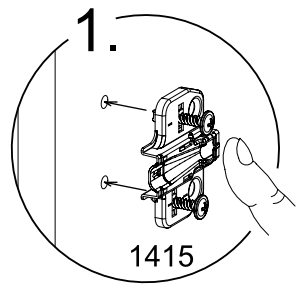
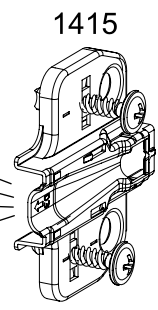
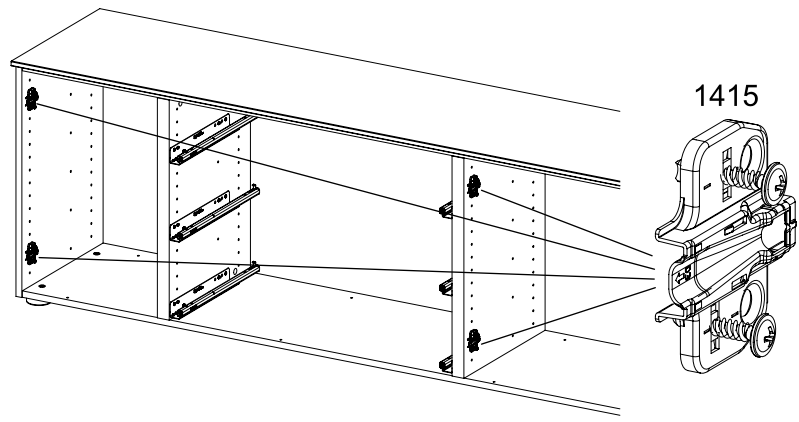


35

4x 1415

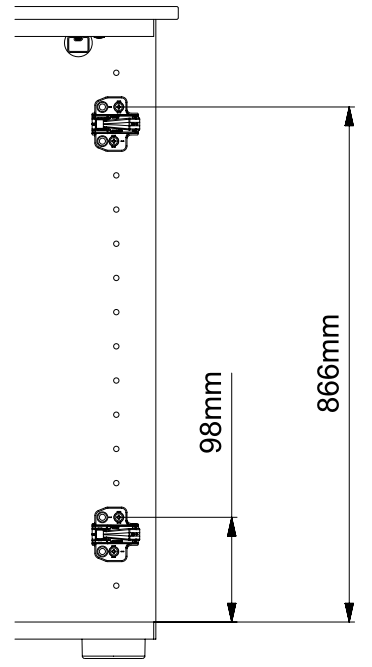
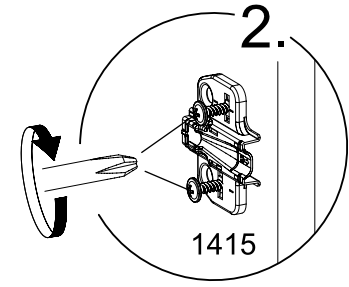
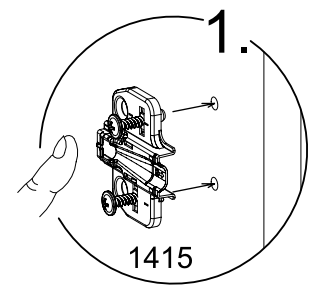
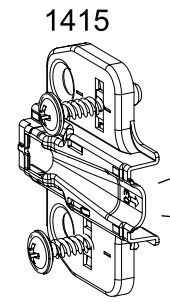
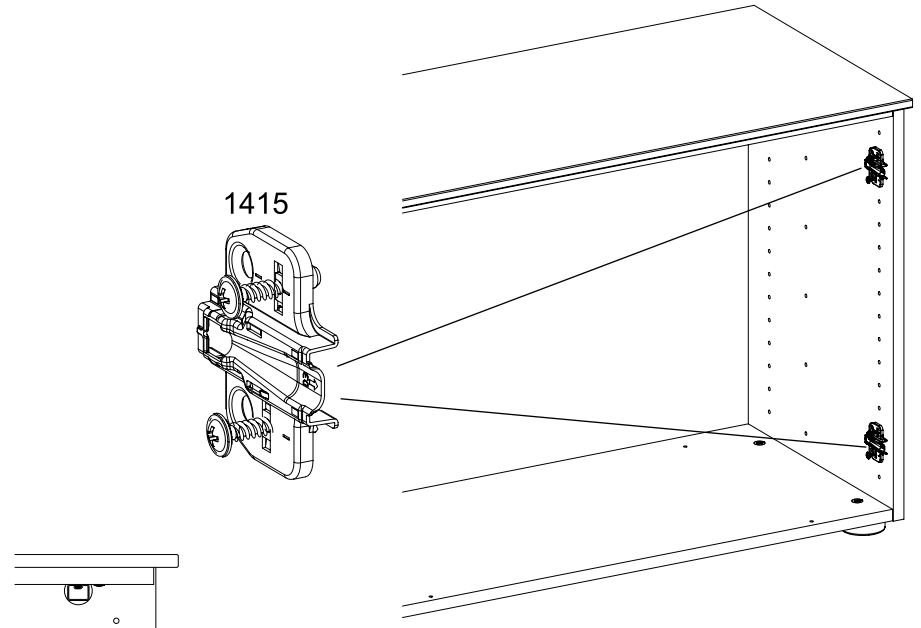
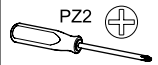
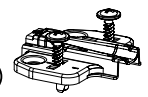


SCAN ME

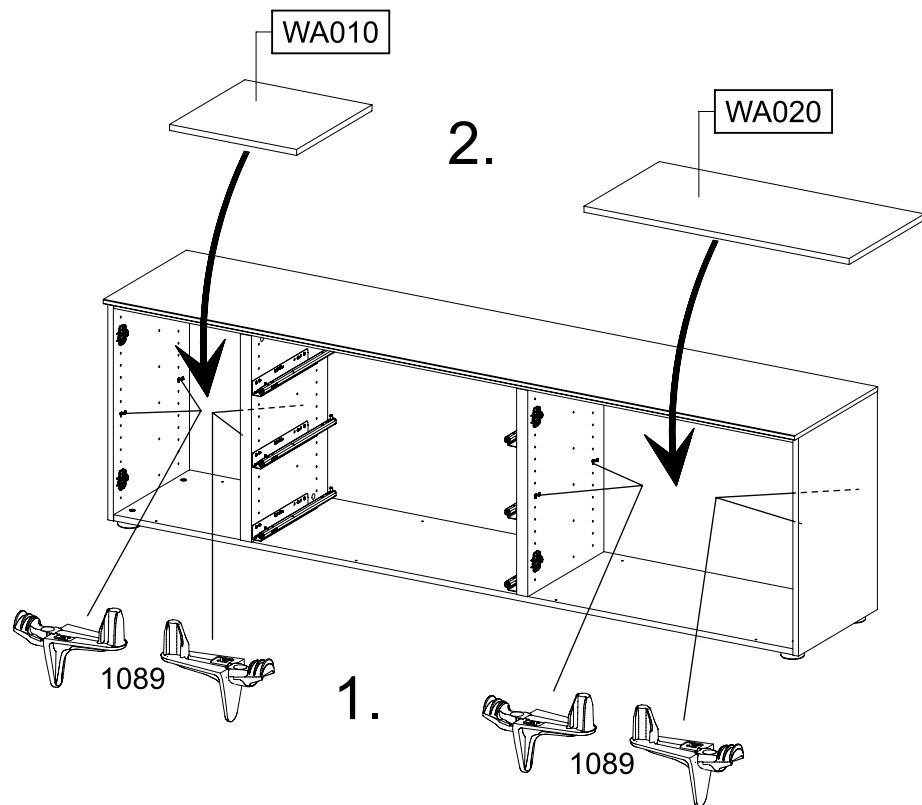
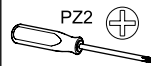


36

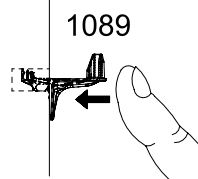
2x 1415



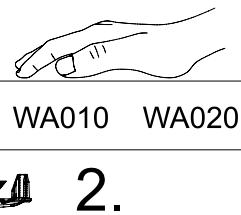
37

8x 1089 

1.



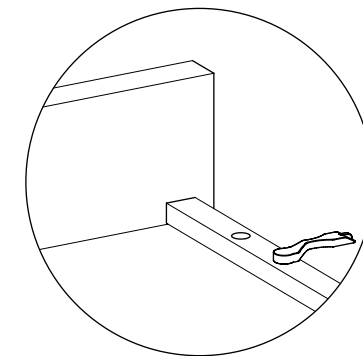
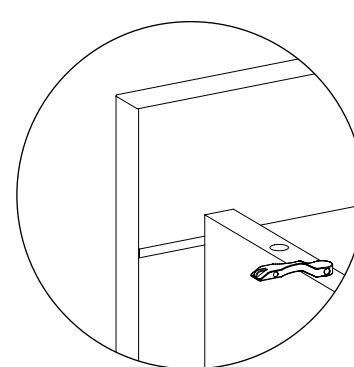
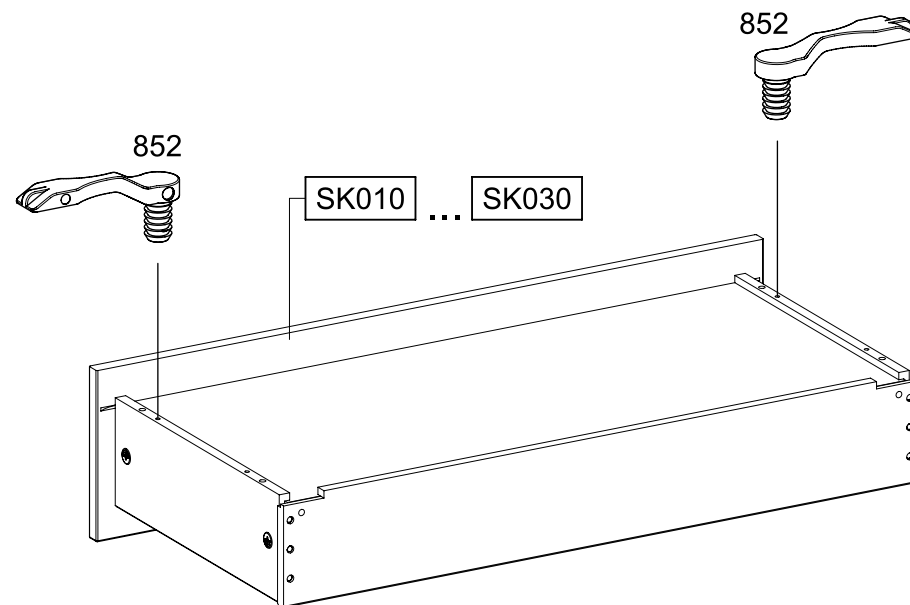
1089



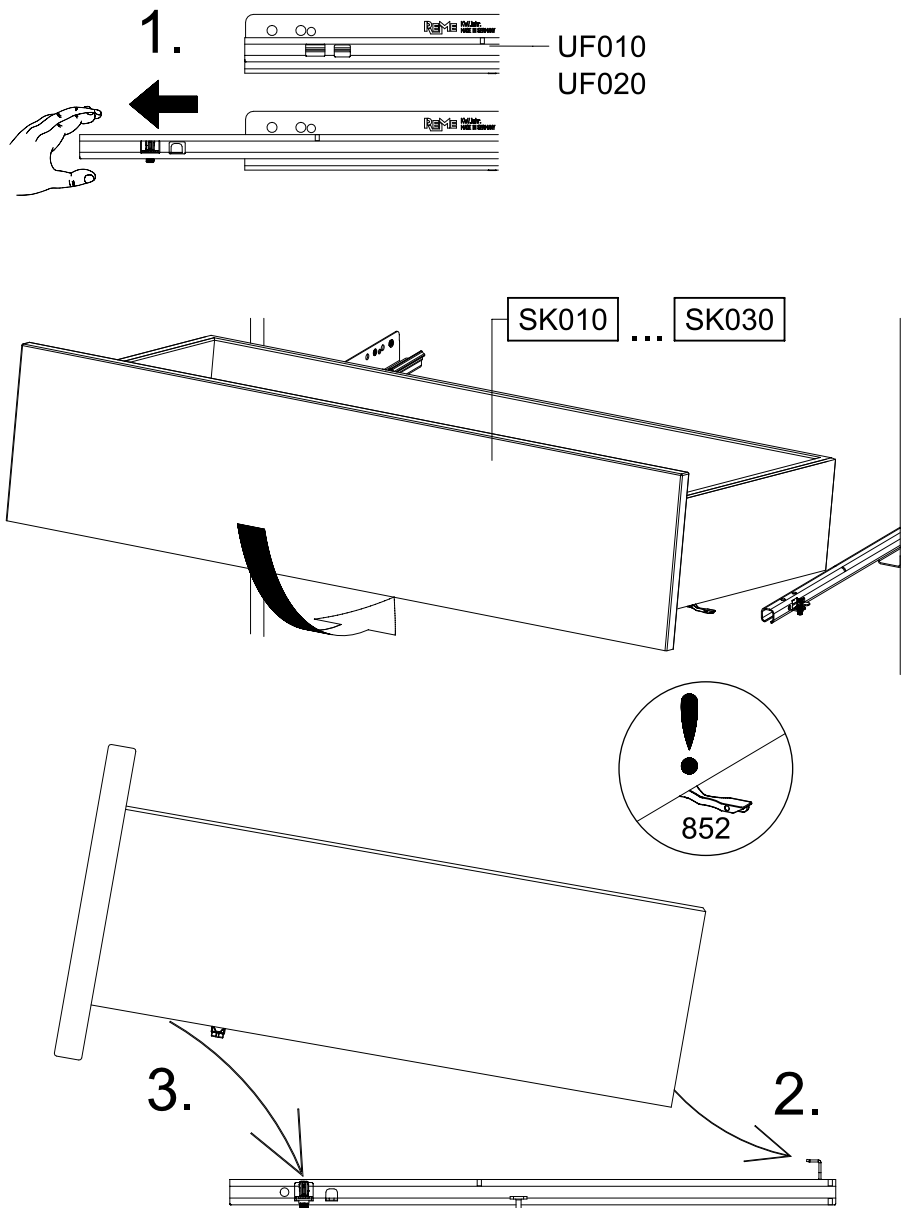
WA010 WA020

2.

38

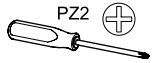
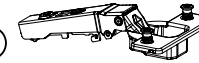
6x 852 

39

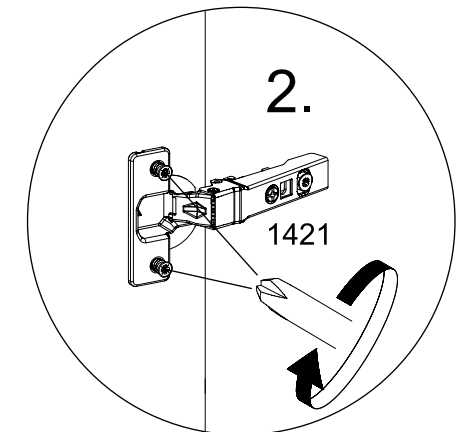
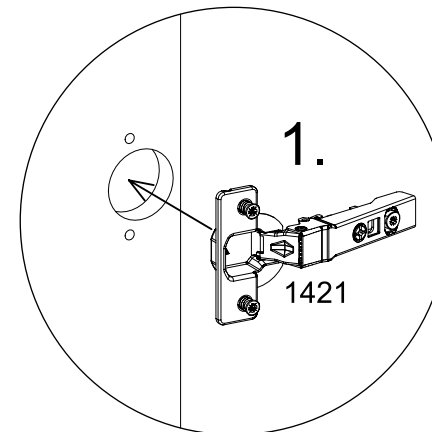
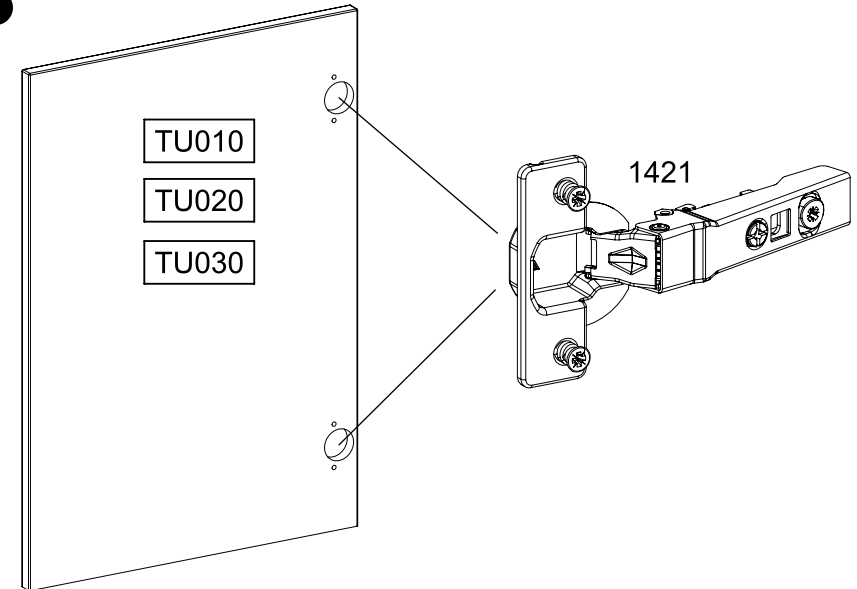


40

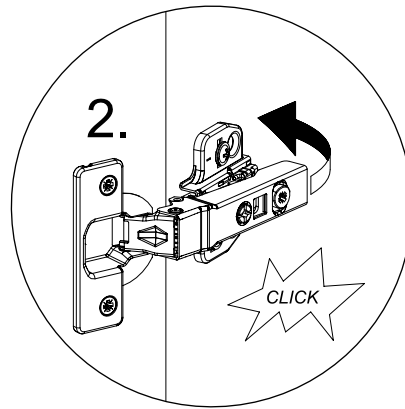
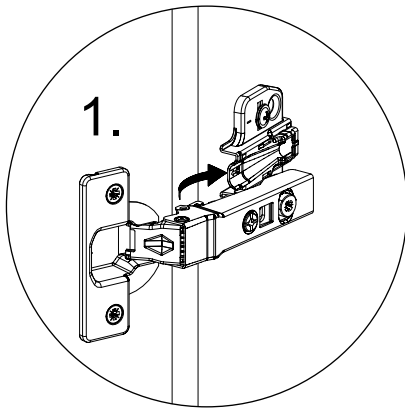
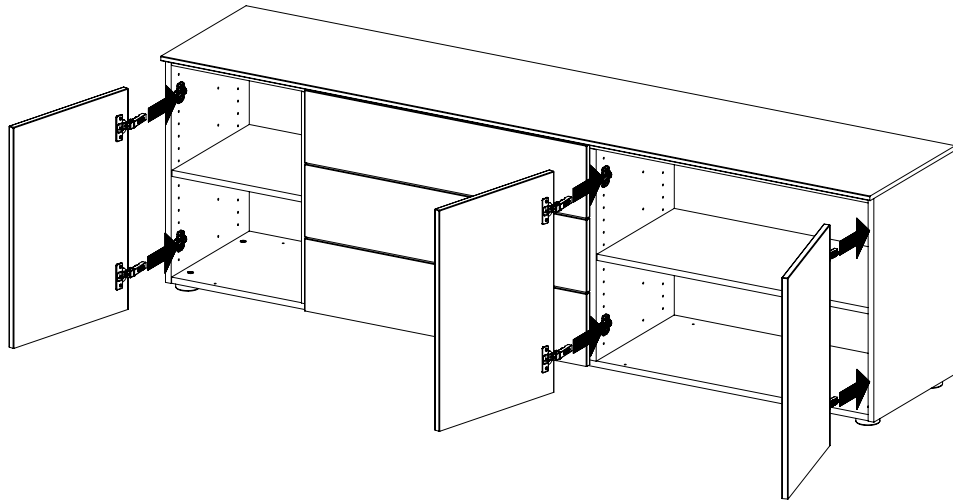
6x 1421



SCAN ME



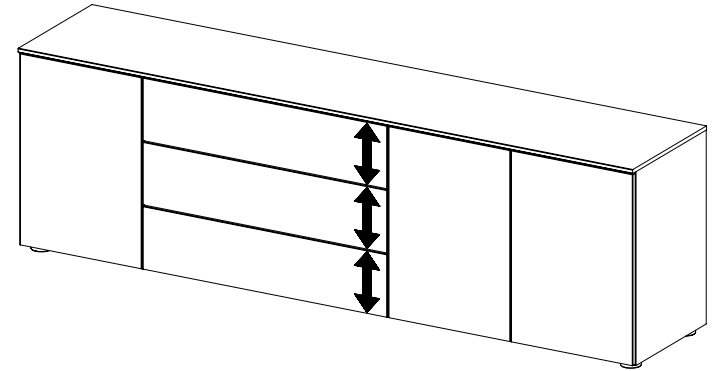
41



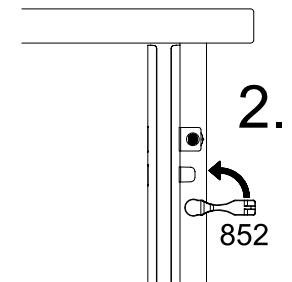
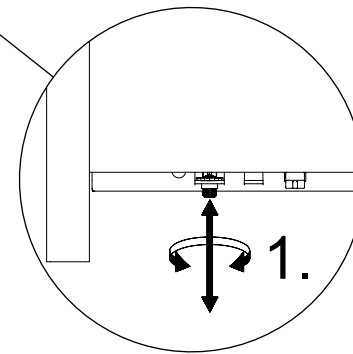
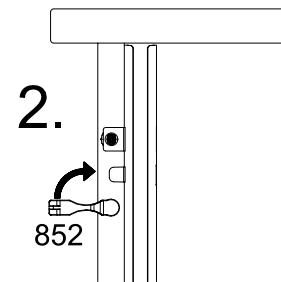
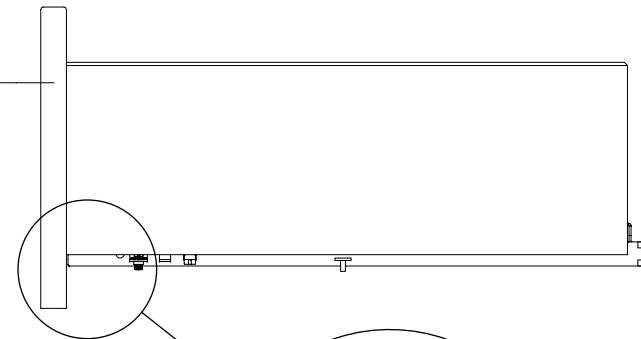
42



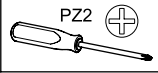
SCAN ME



SK010
SK020
SK030



43



SCAN ME

