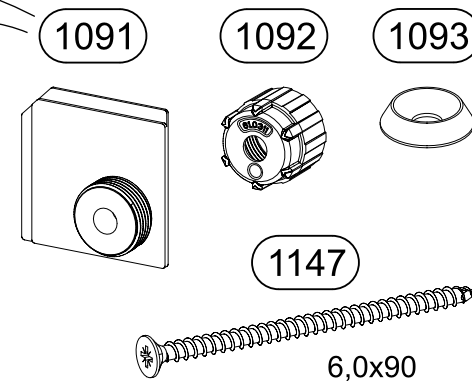
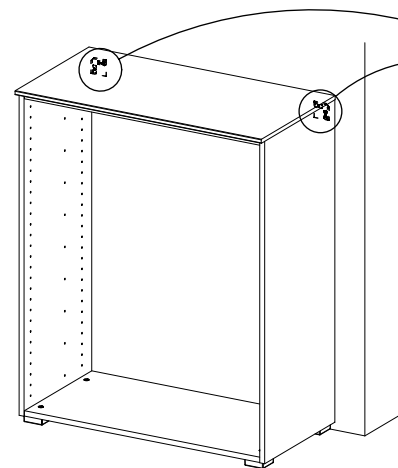
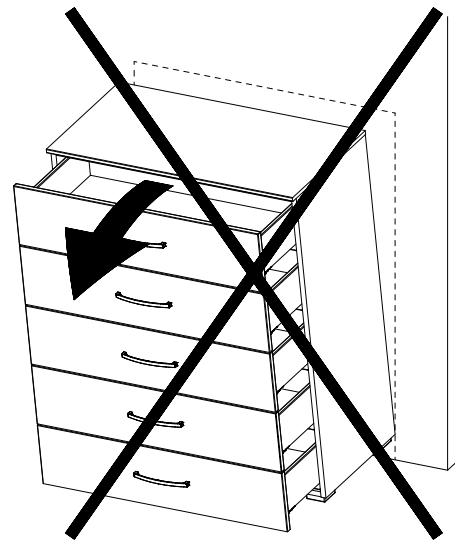
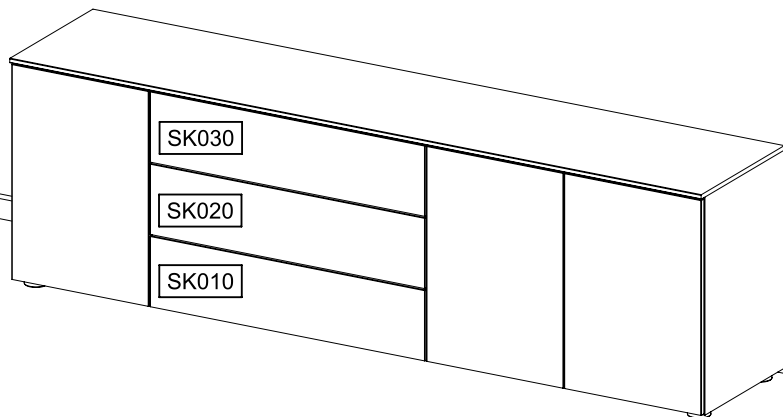
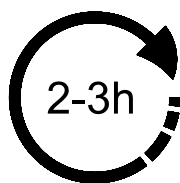
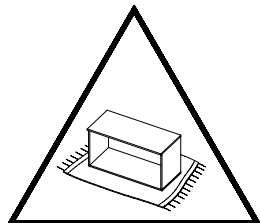
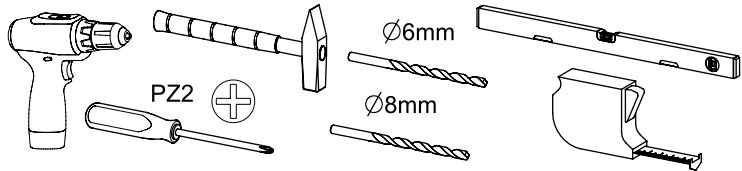


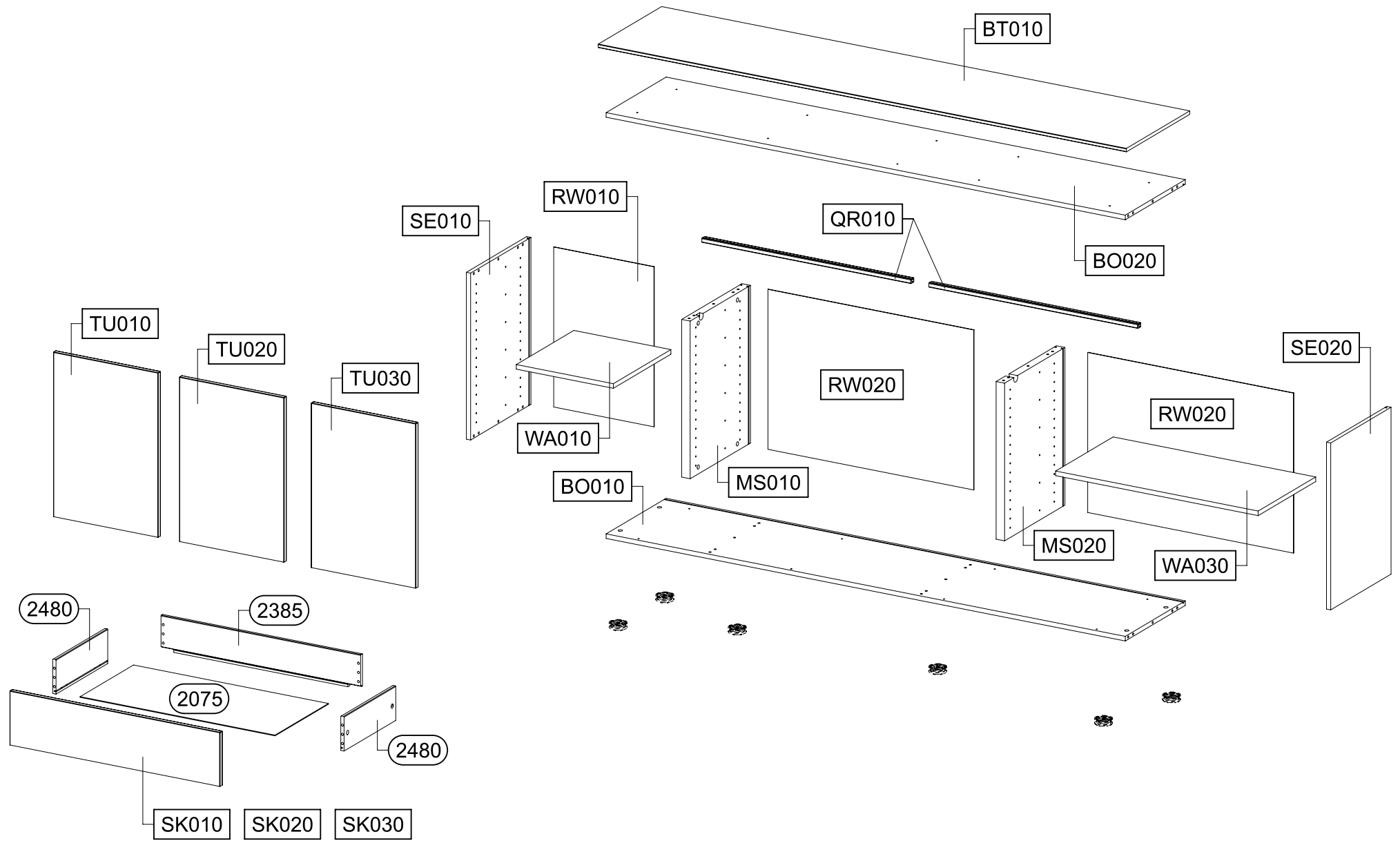
# M3173\_01

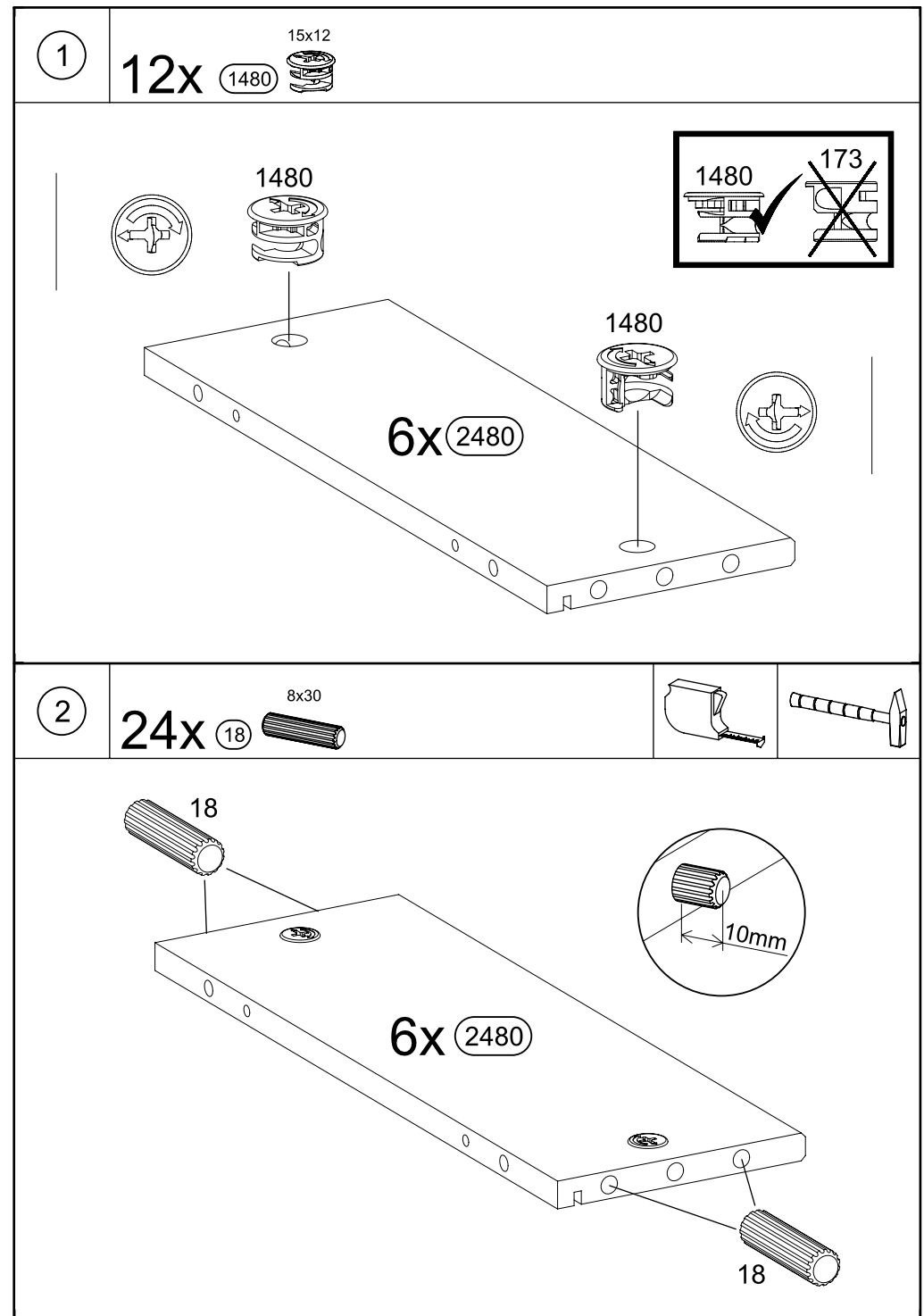
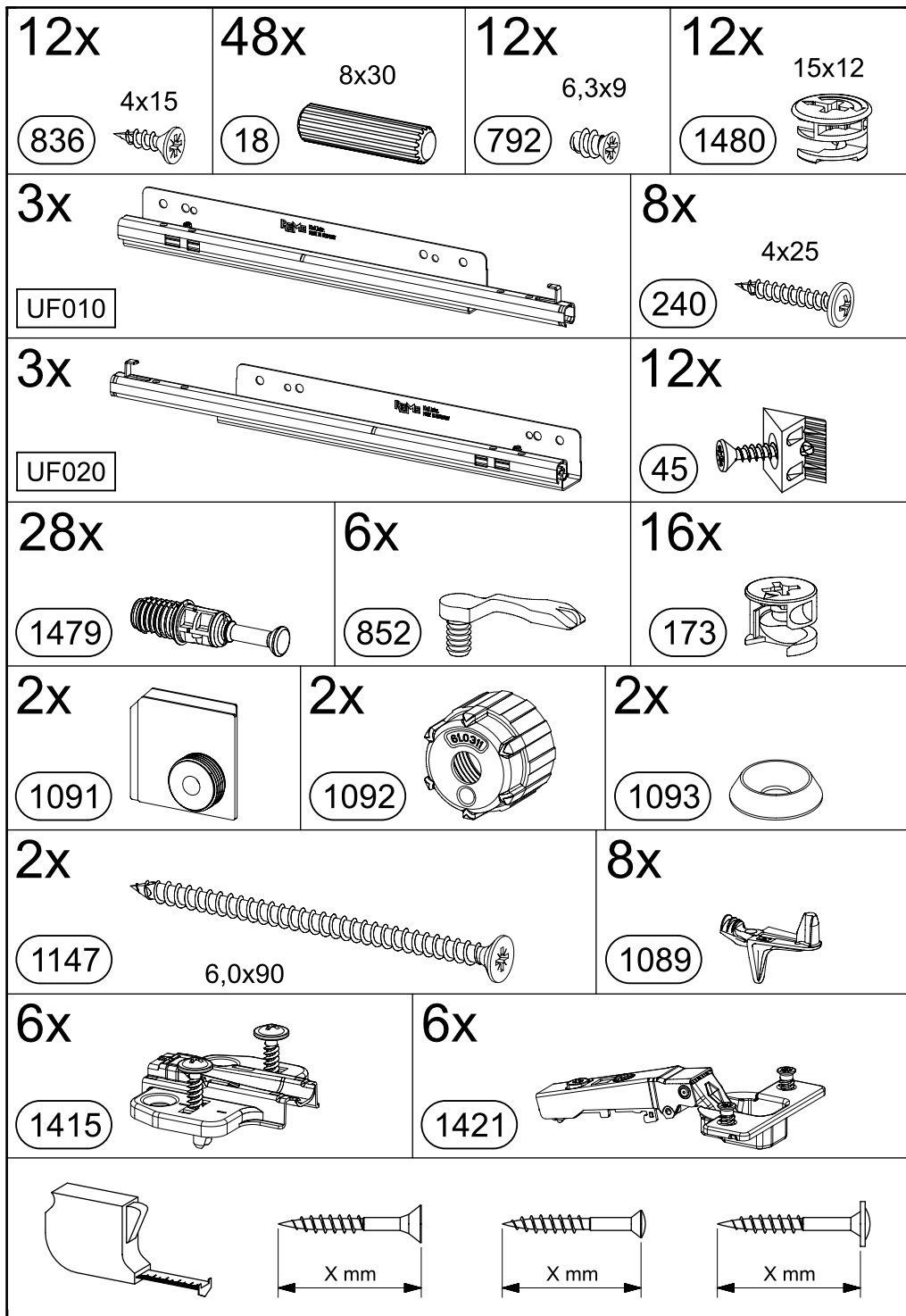


VIDEO



SCAN ME



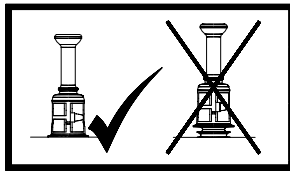


3

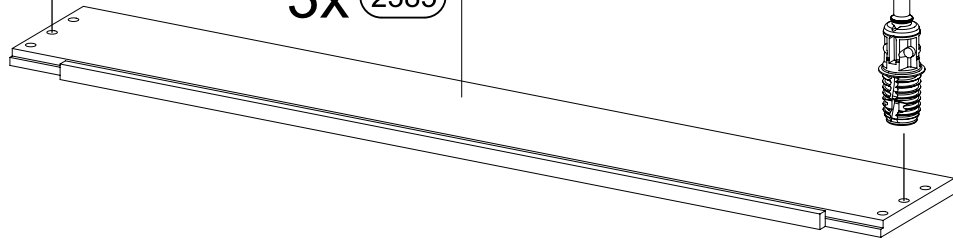
6x 1479



1479



3x 2385



1479

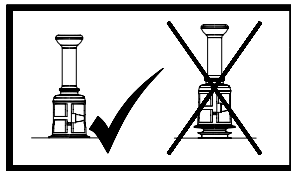


4

6x 1479



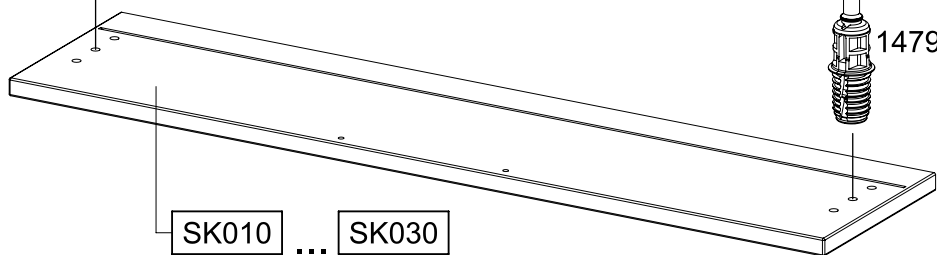
1479



1479



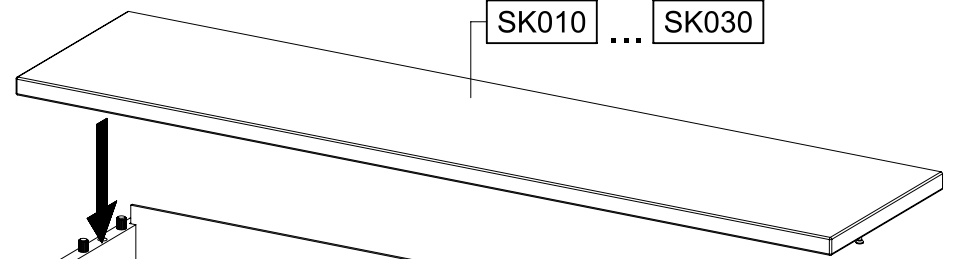
SK010 ... SK030



5

3x

SK010 ... SK030



2480



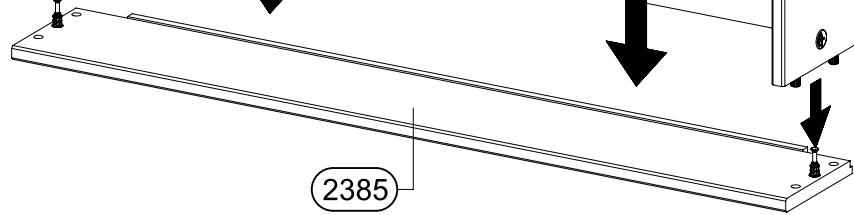
2075

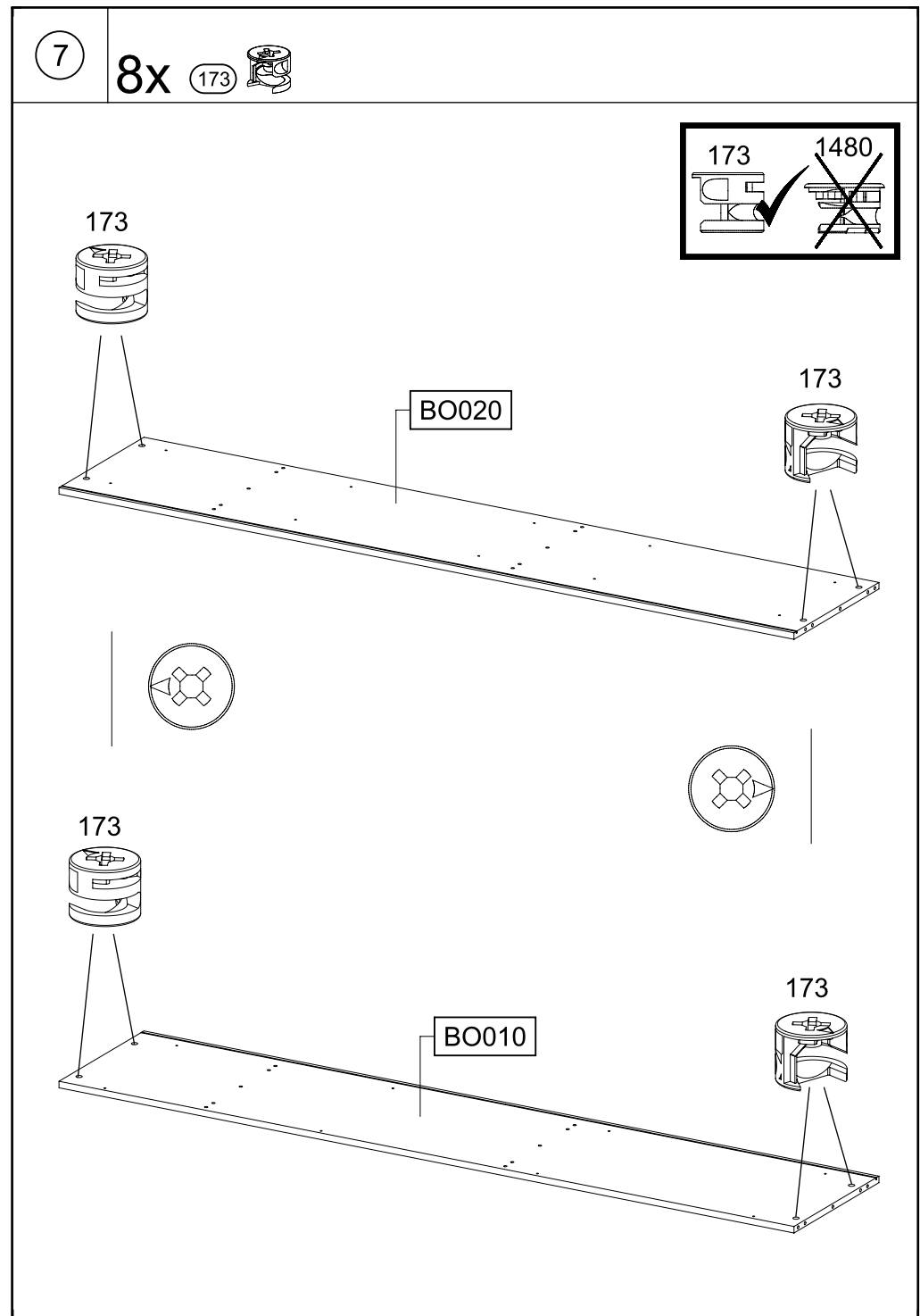
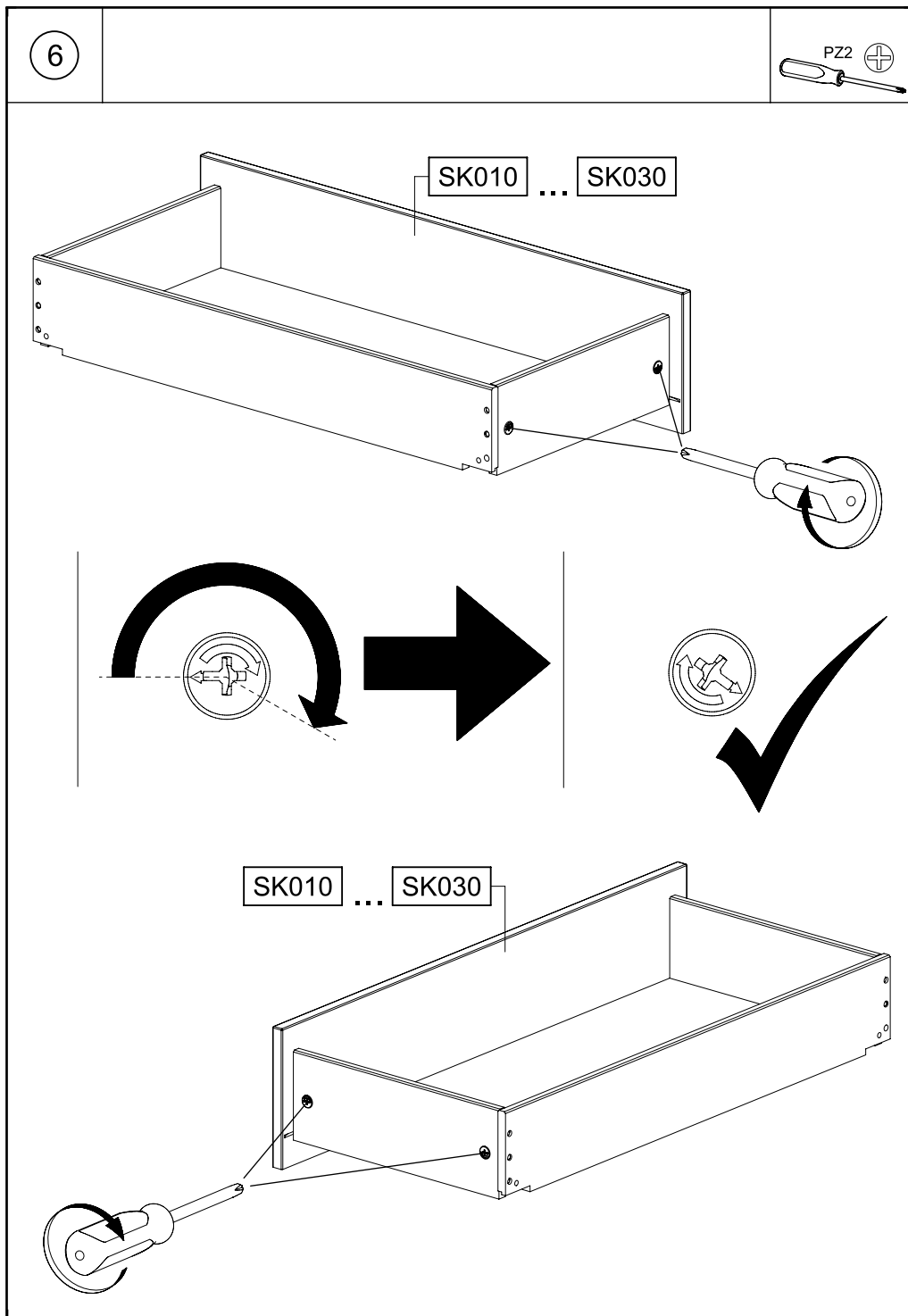


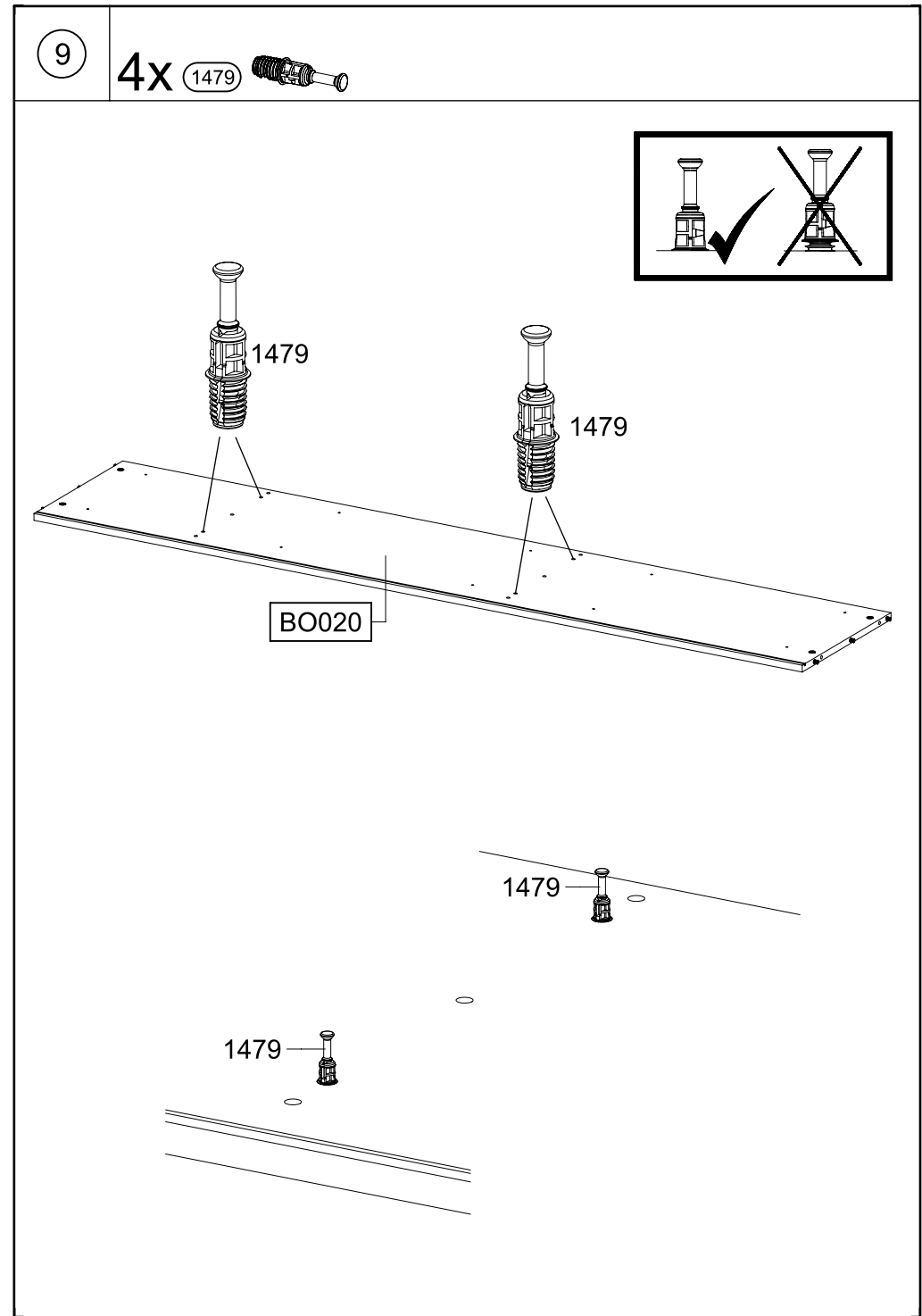
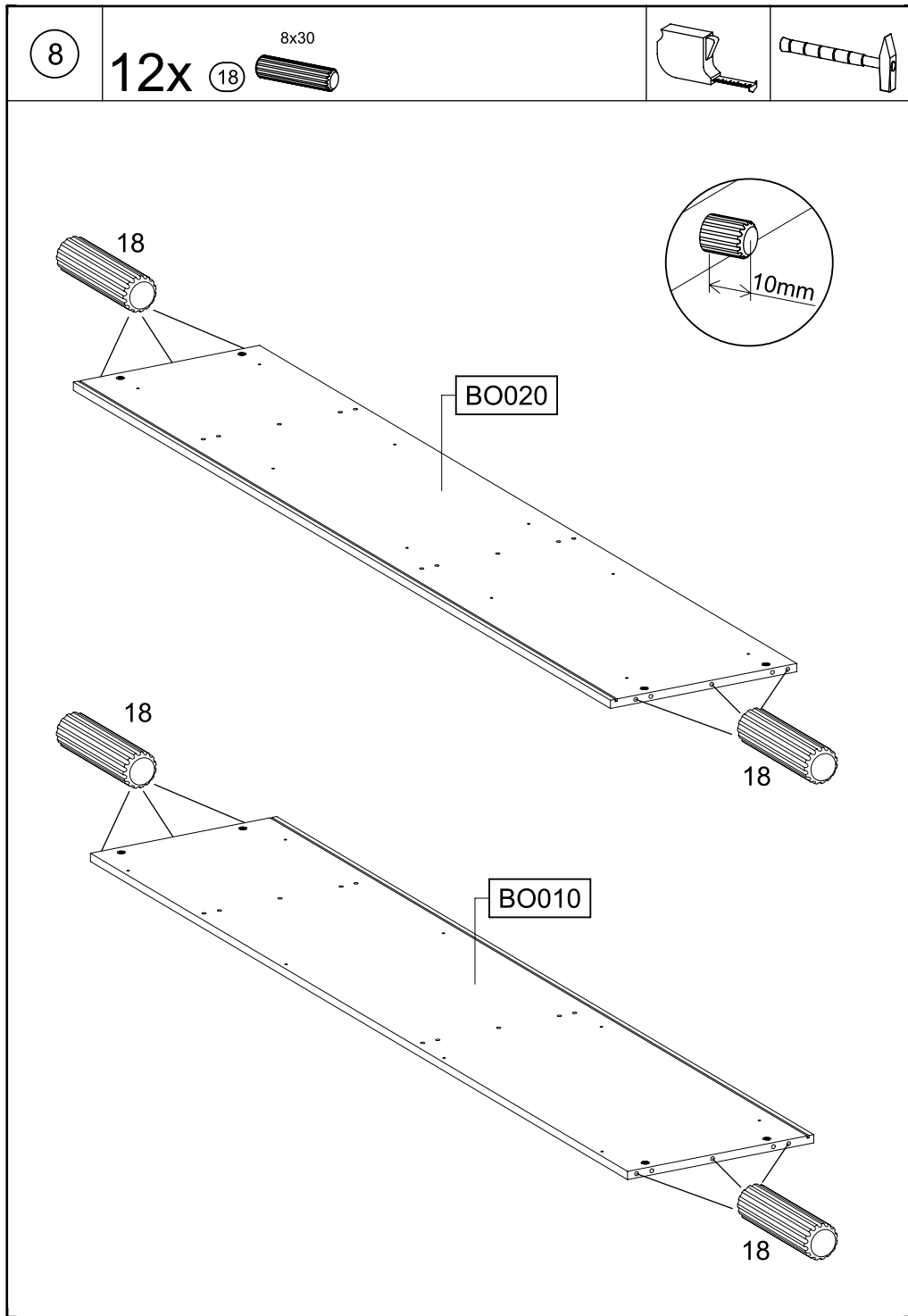
2480




2385

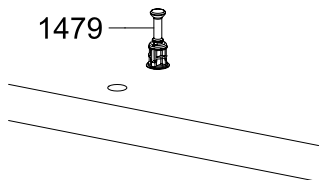
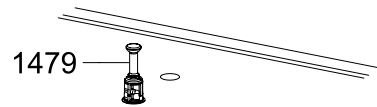
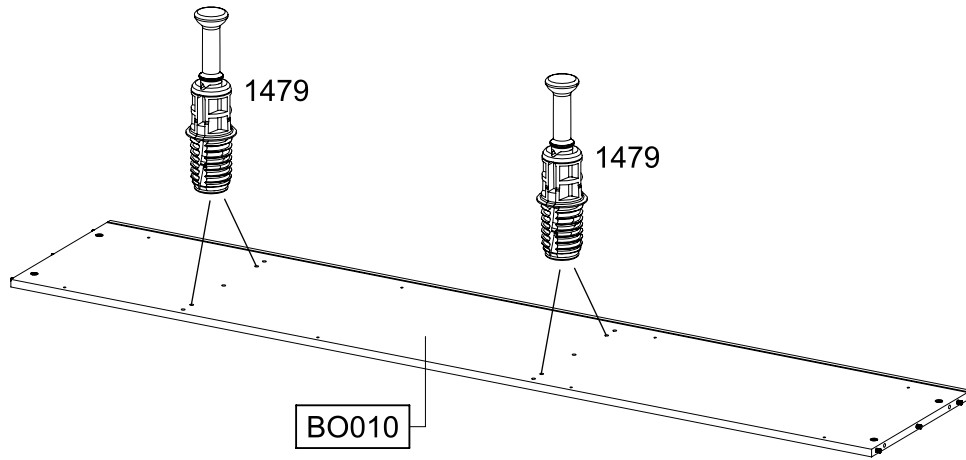
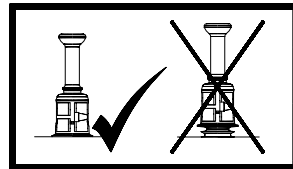






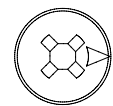
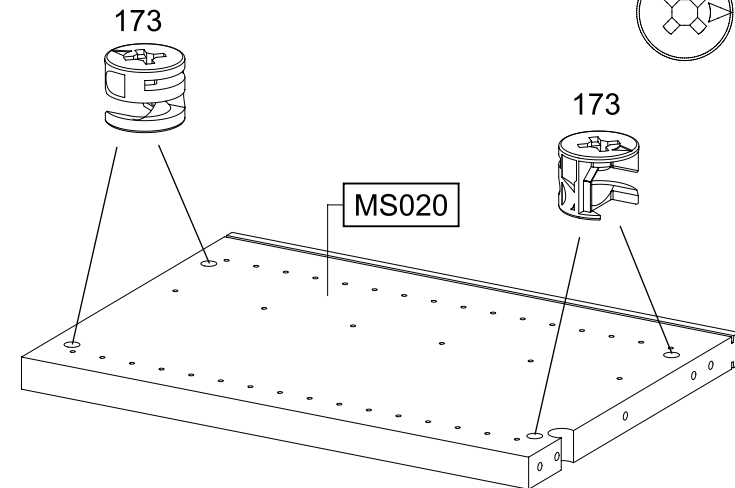
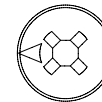
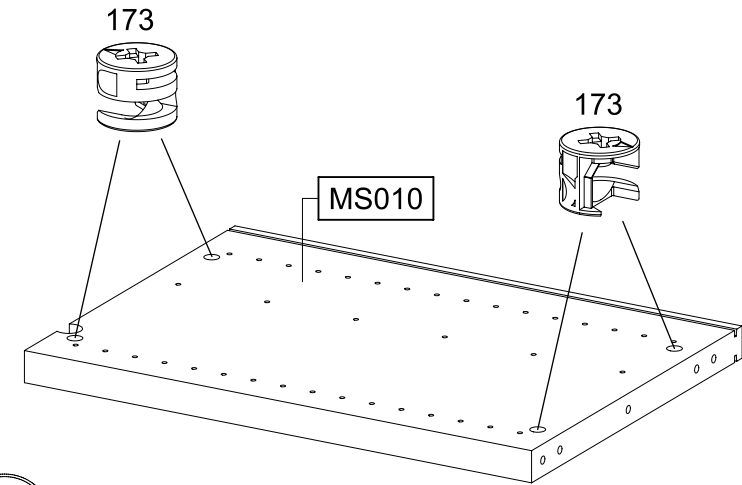
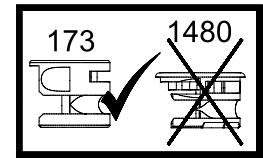
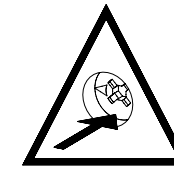
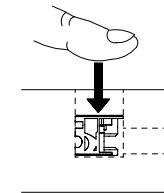
10

4x 1479 



11

8x 173 

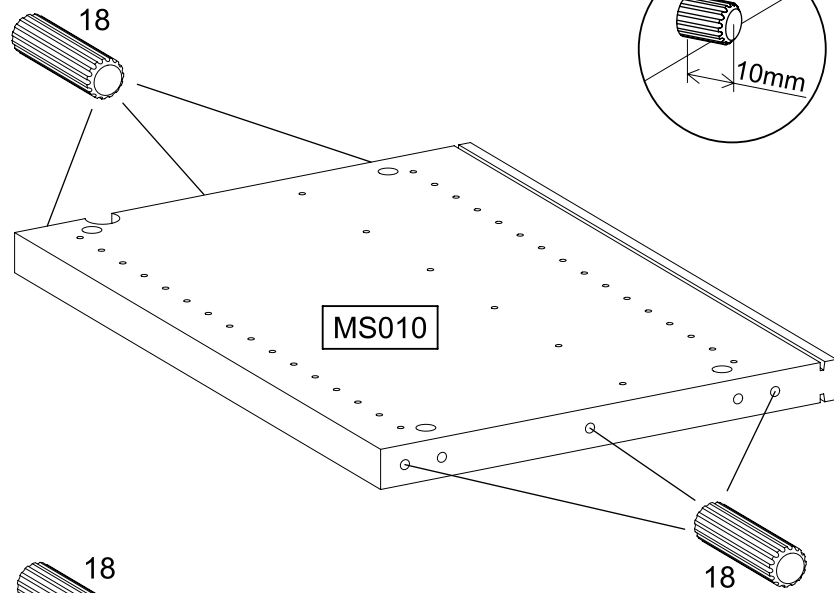
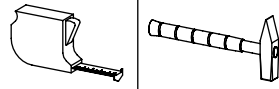


12

12x

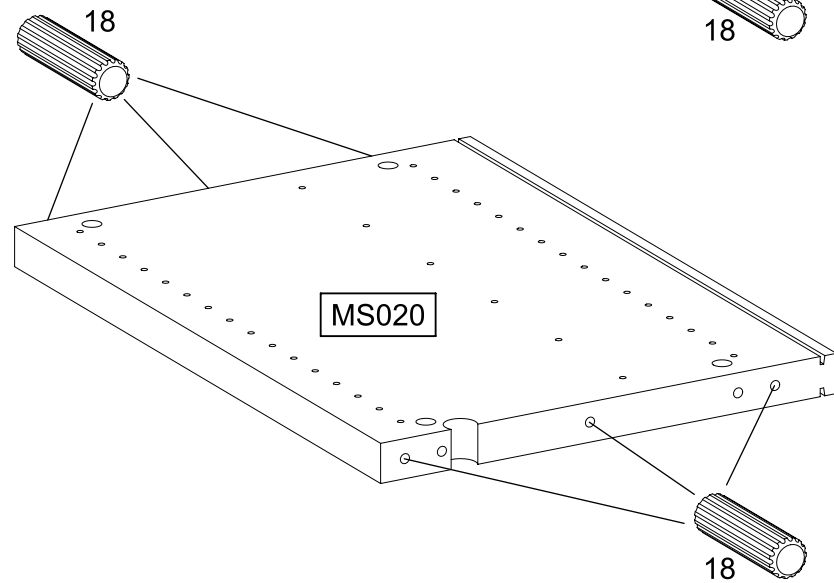
18

8x30



MS010

18



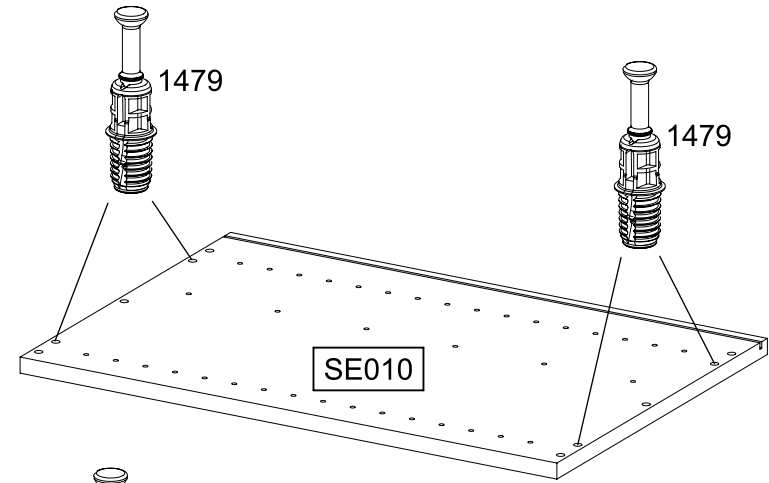
MS020

18

13

8x

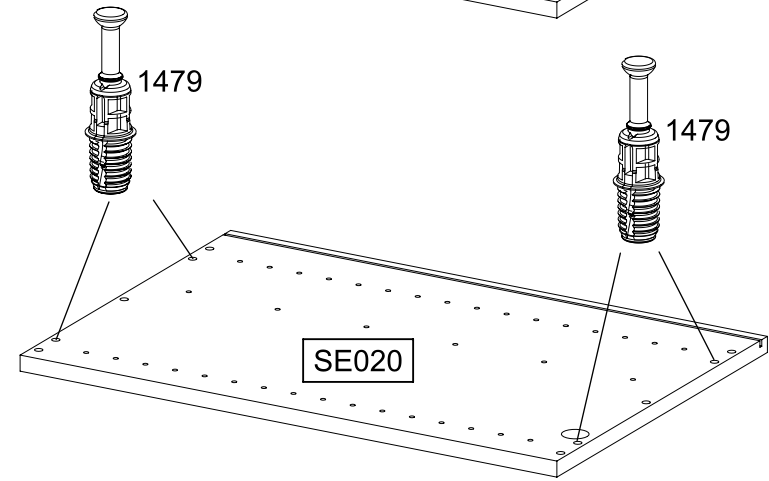
1479



SE010

1479

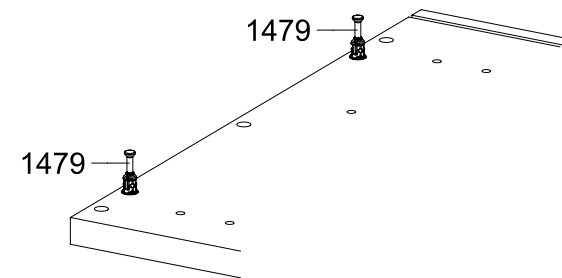
1479



SE020

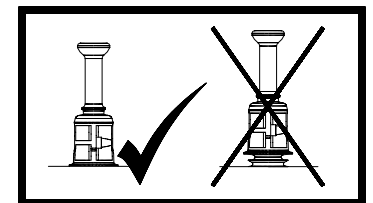
1479

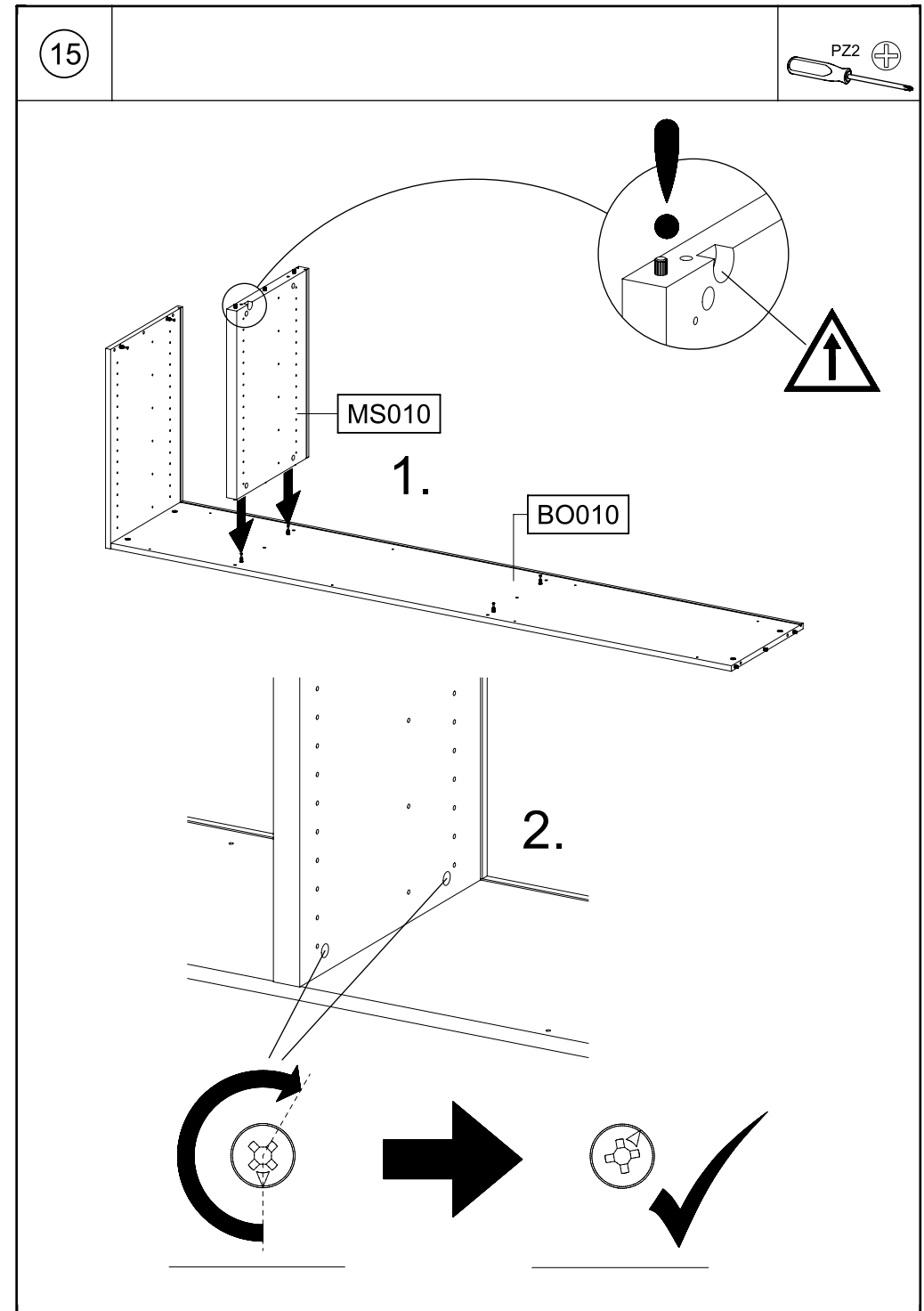
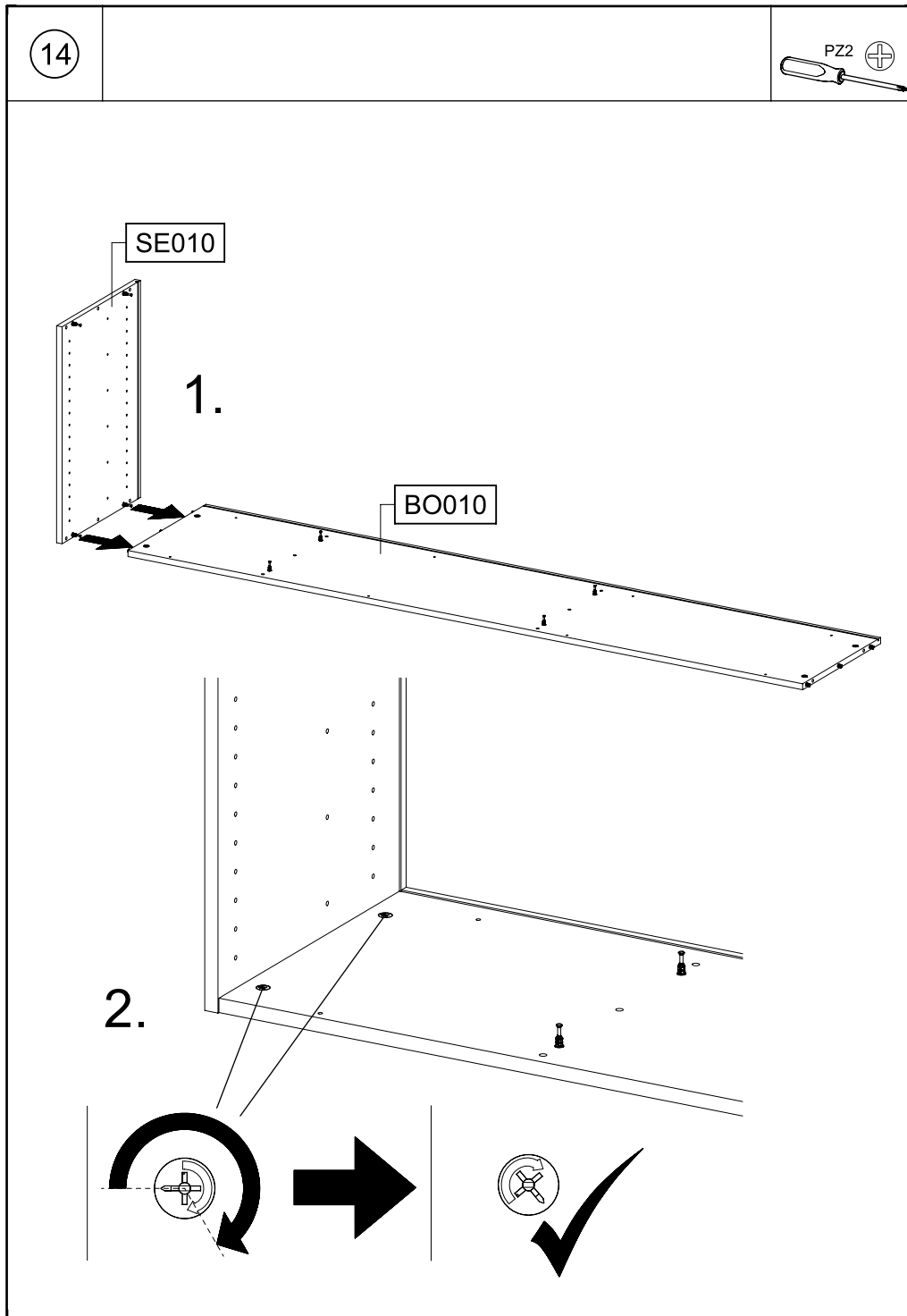
1479

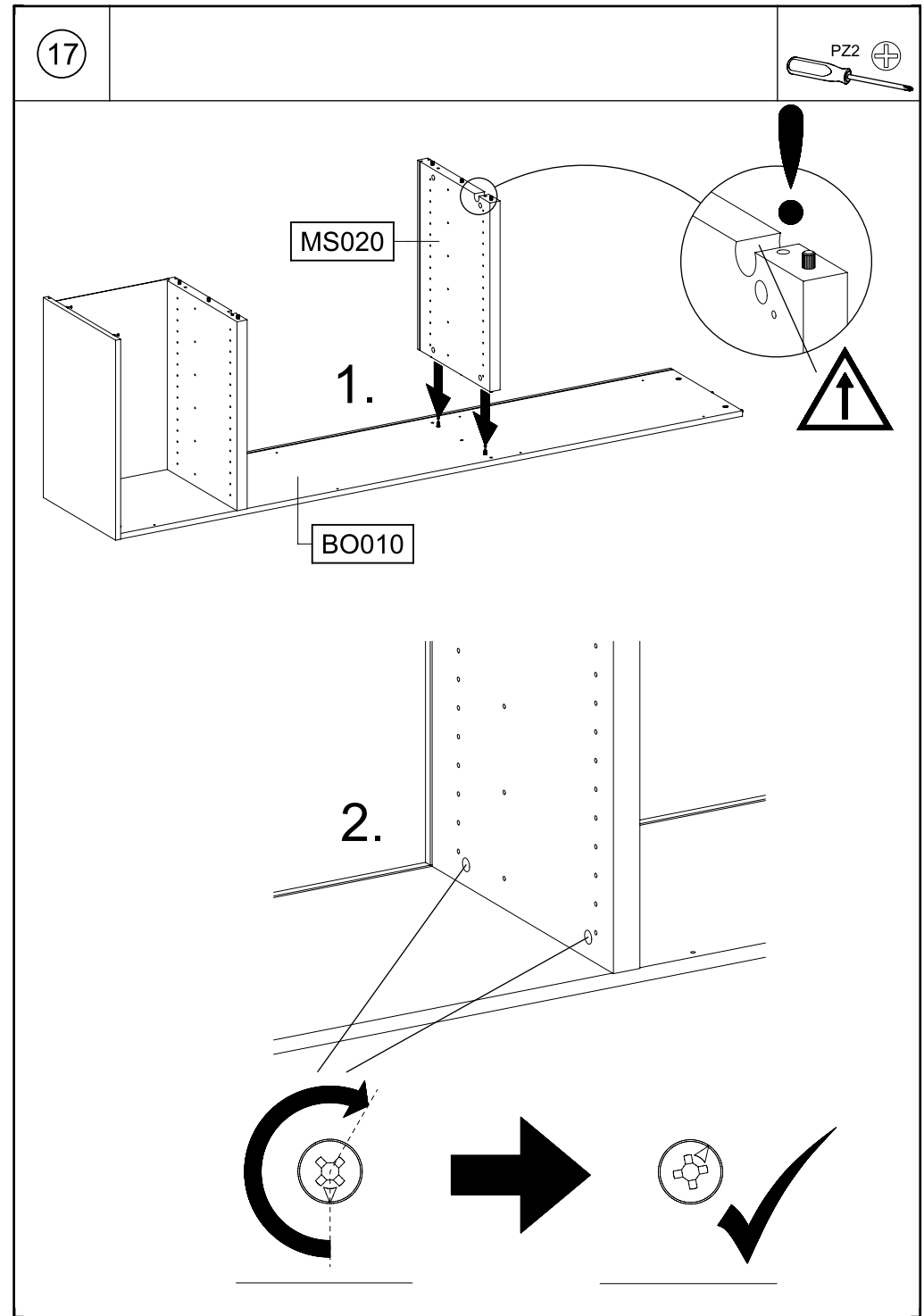
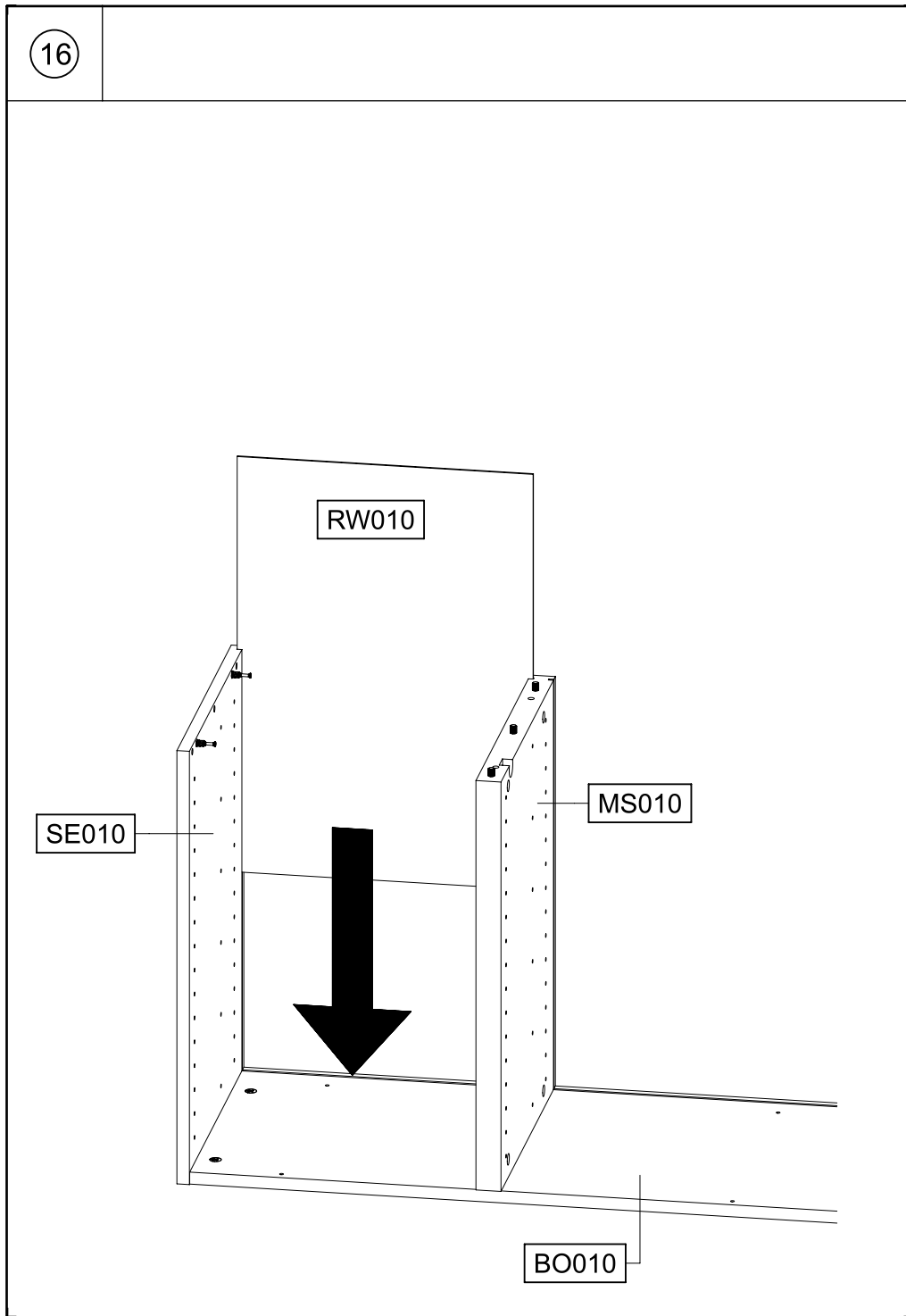


1479

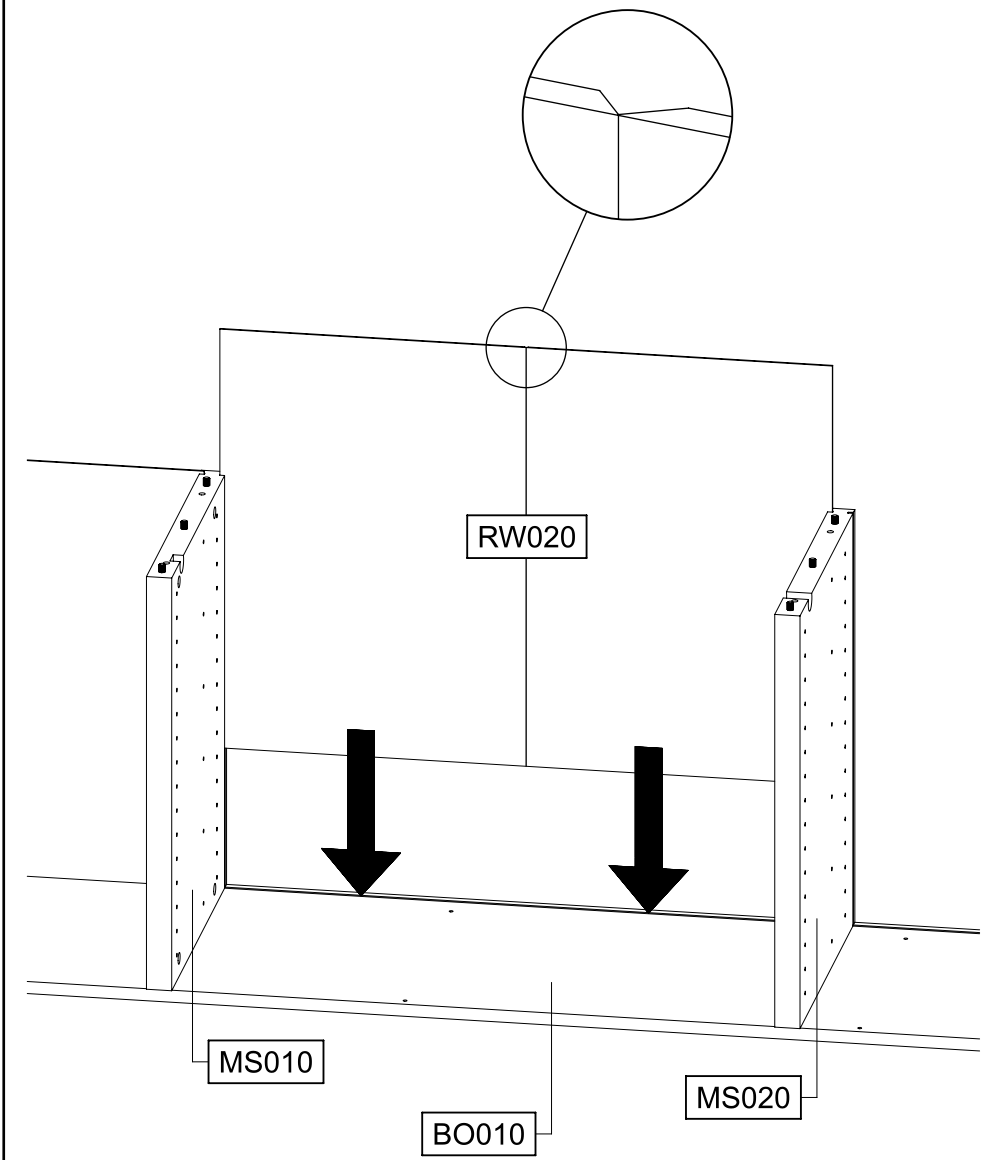
1479



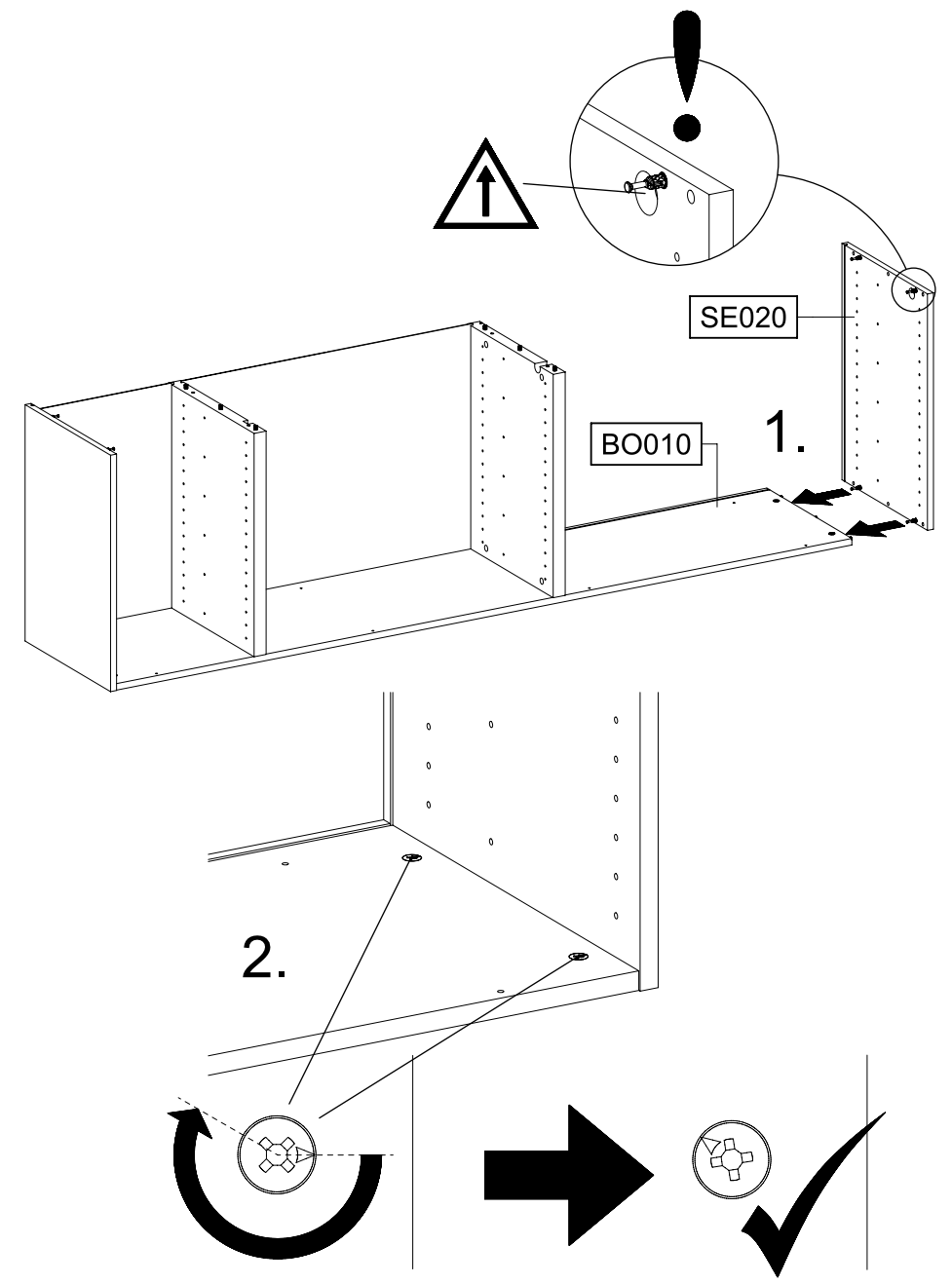
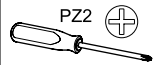




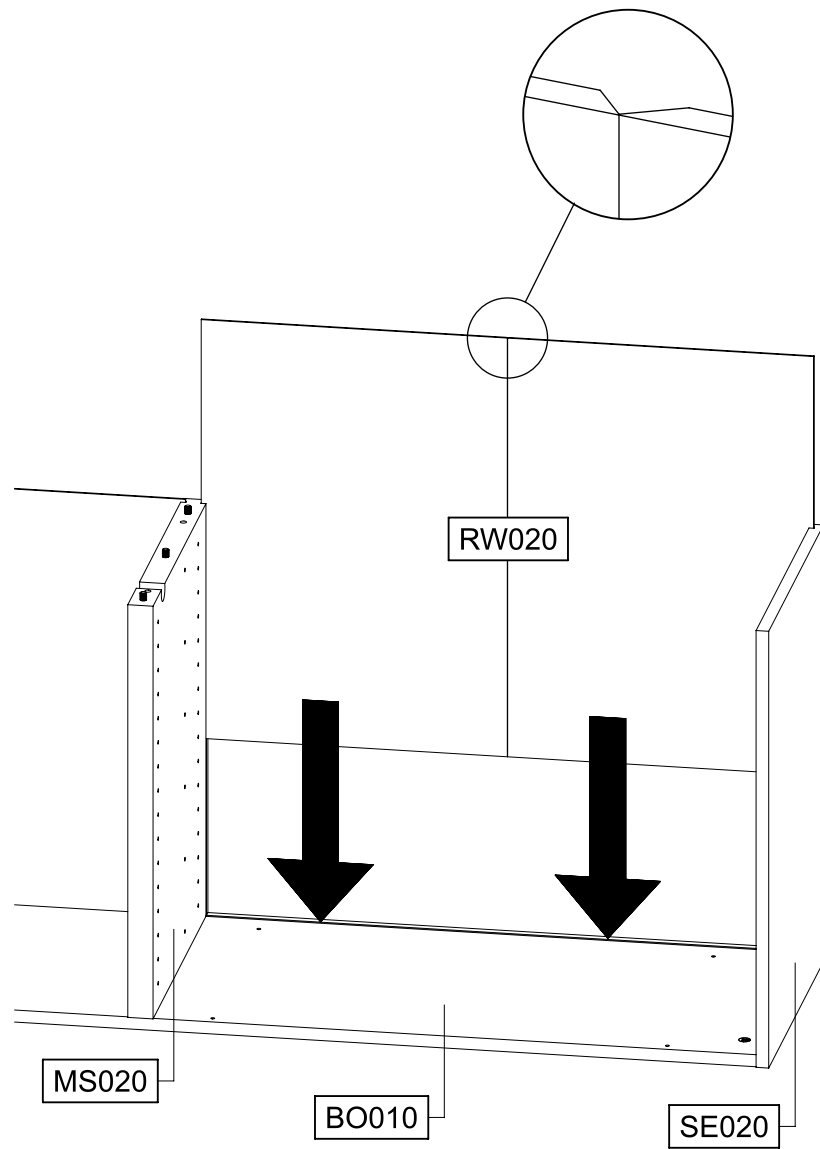
18



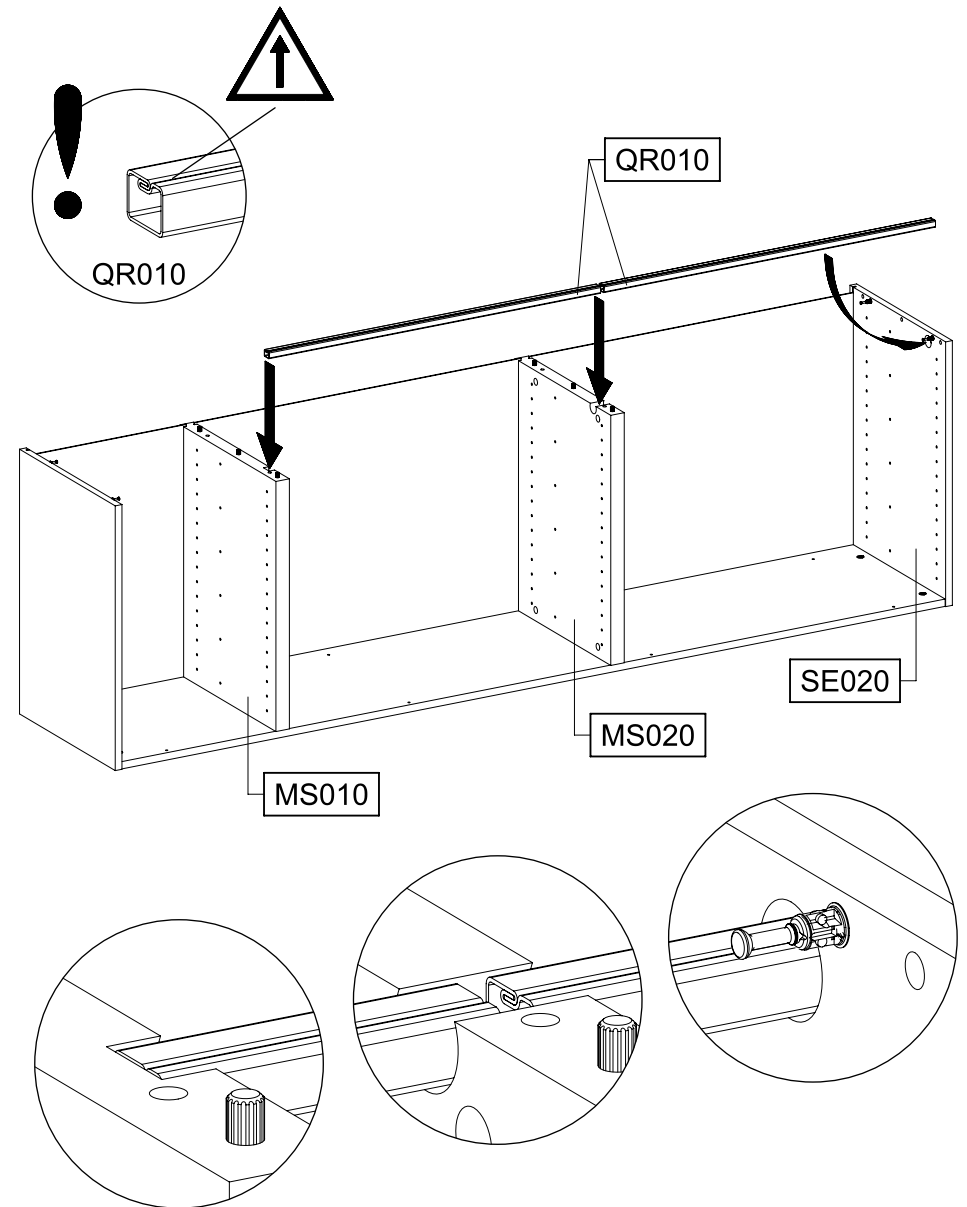
19



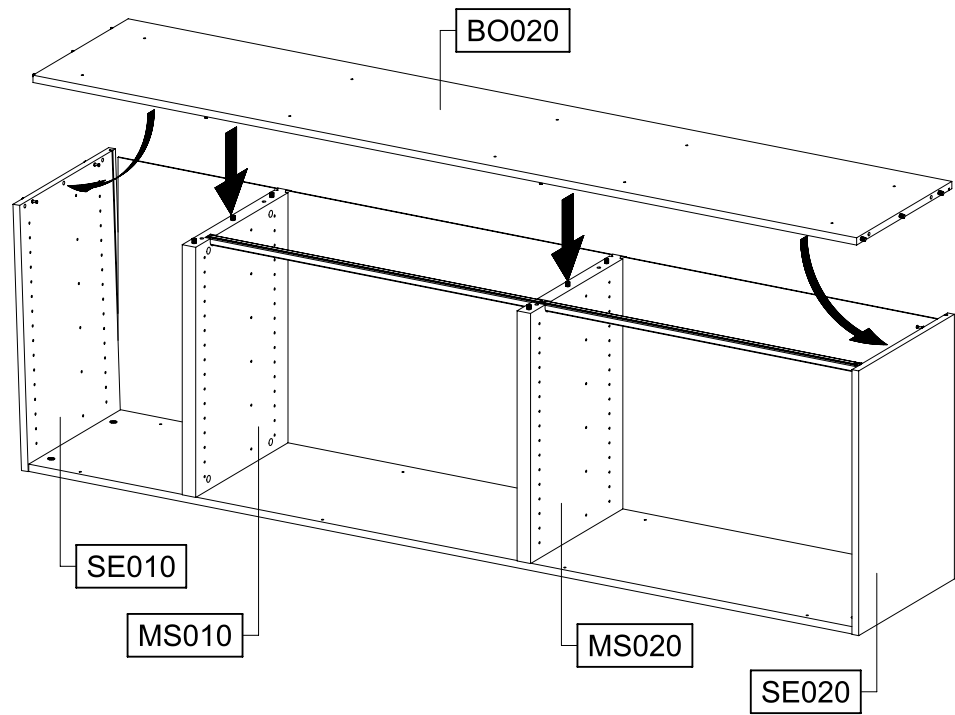
20



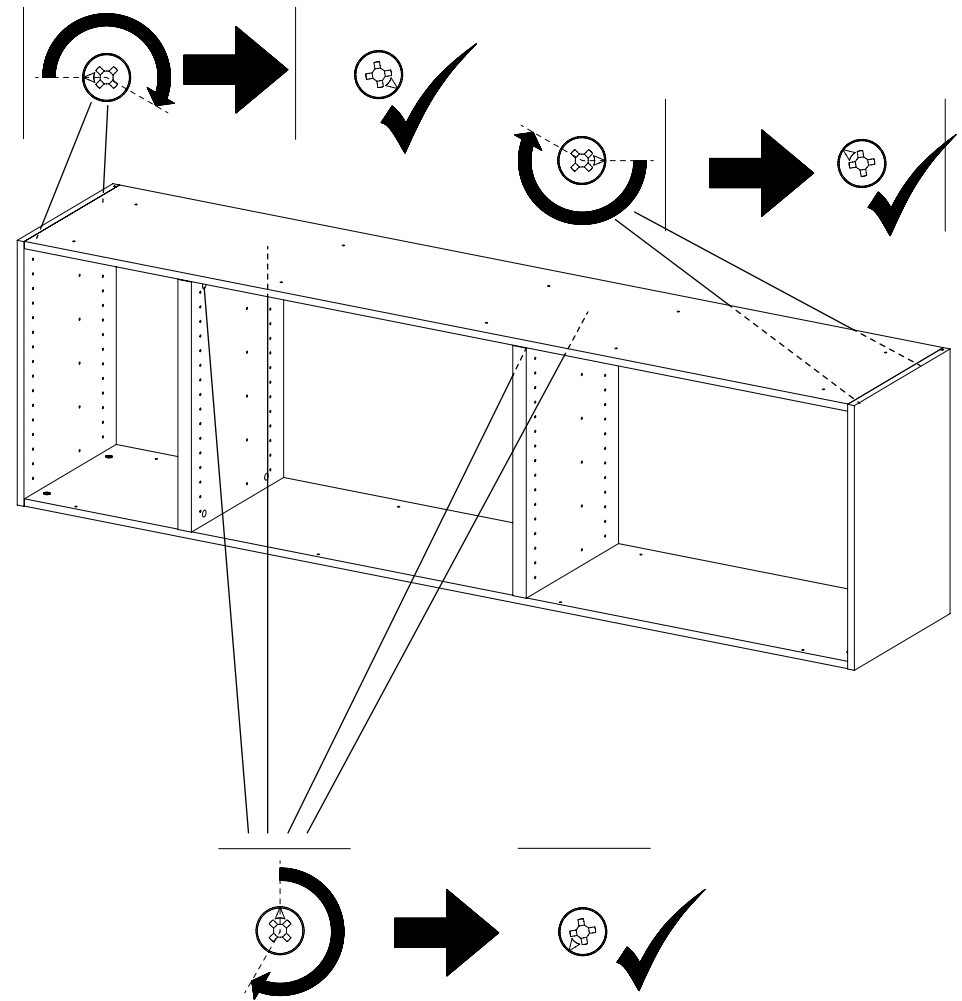
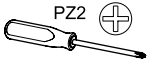
21



22



23

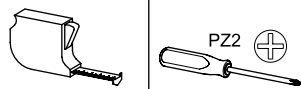


24

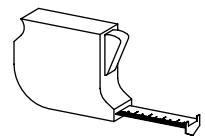
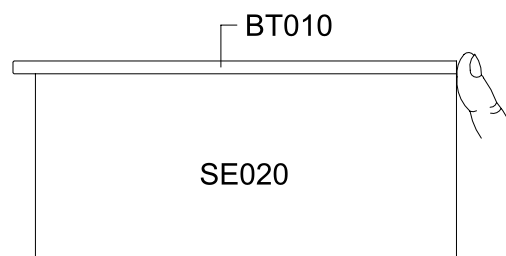
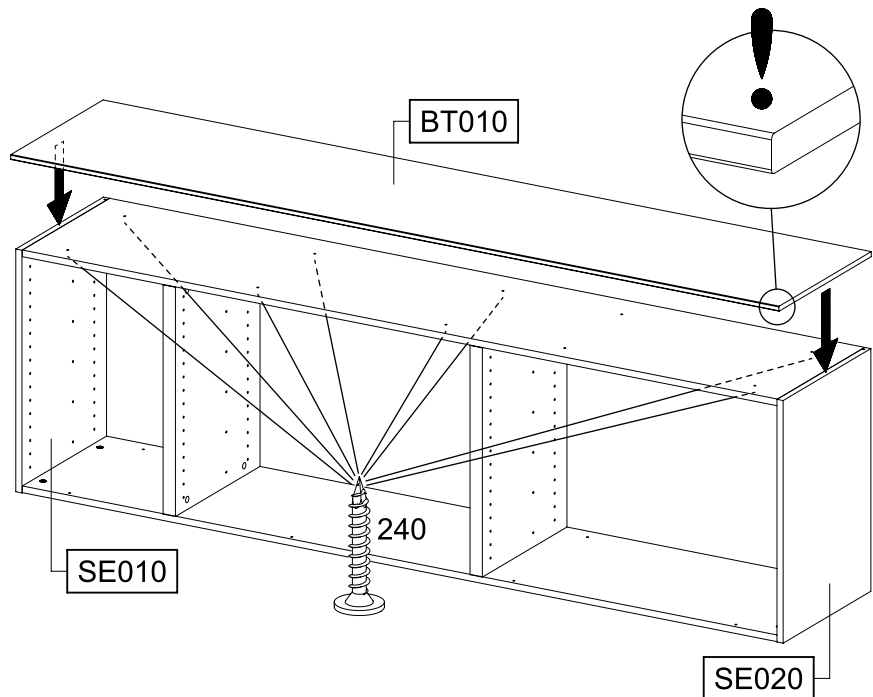
8x

240

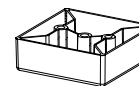
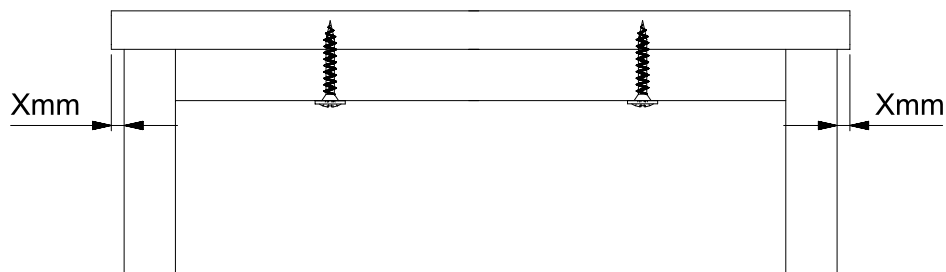
4x25



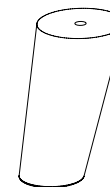
PZ2



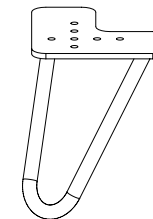
Xmm=Xmm



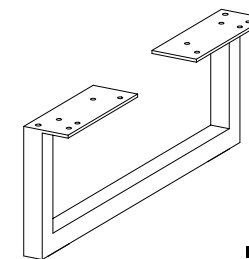
1207



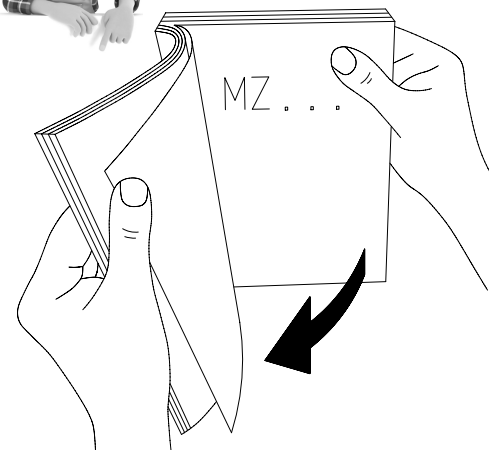
1481



1345

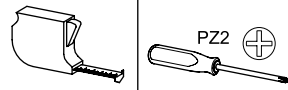


1348

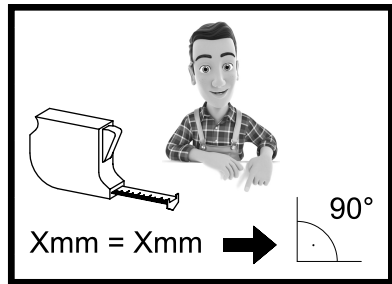


25

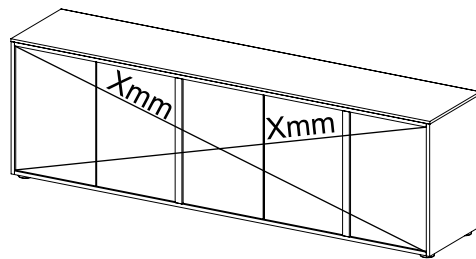
12x 45



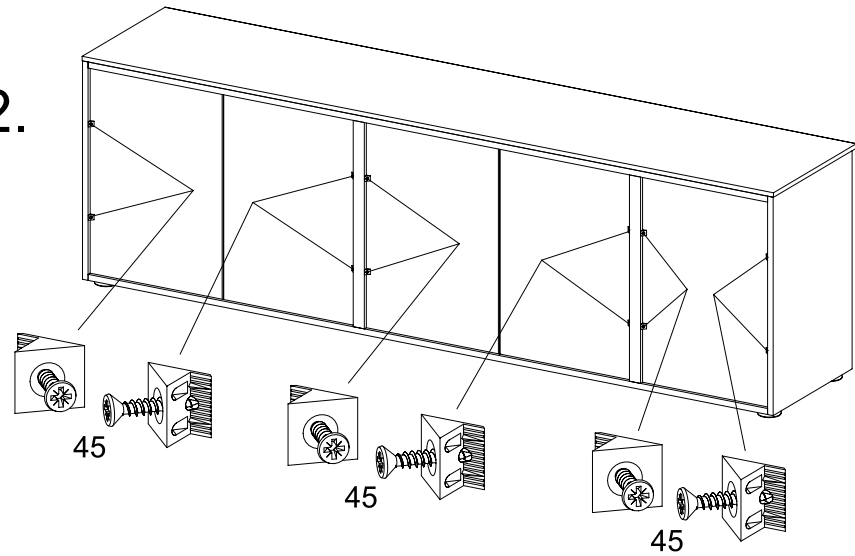
PZ2



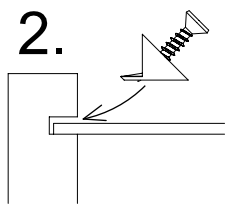
1.



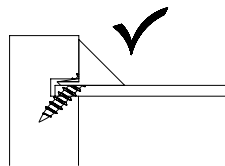
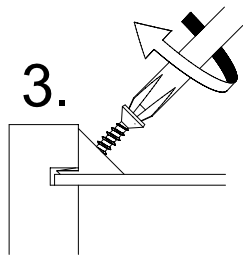
2.



2.



3.



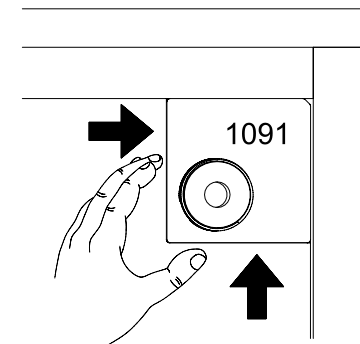
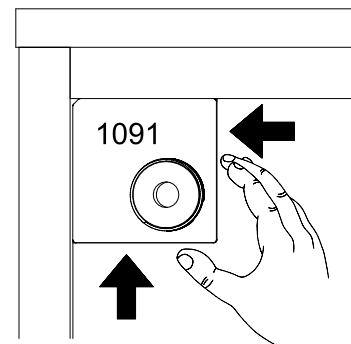
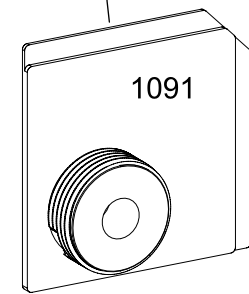
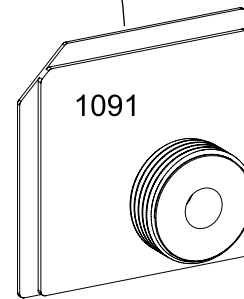
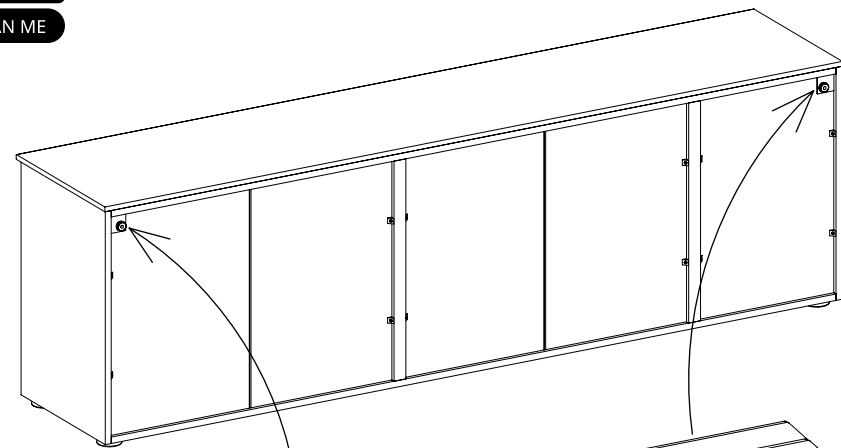
26

2x

1091



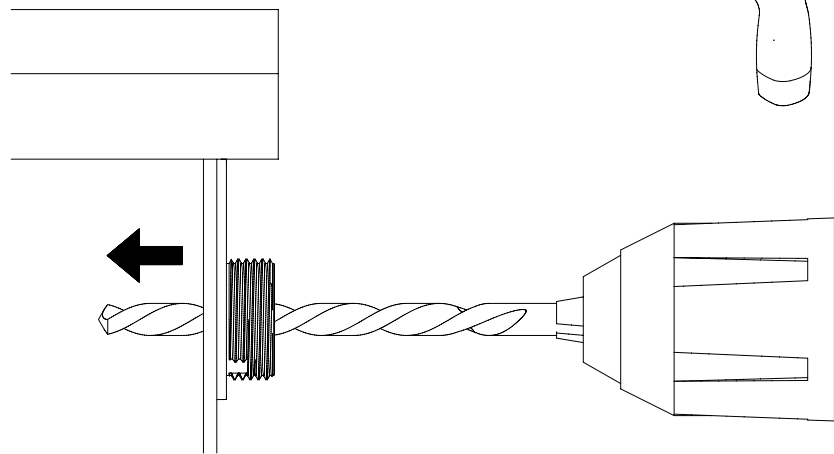
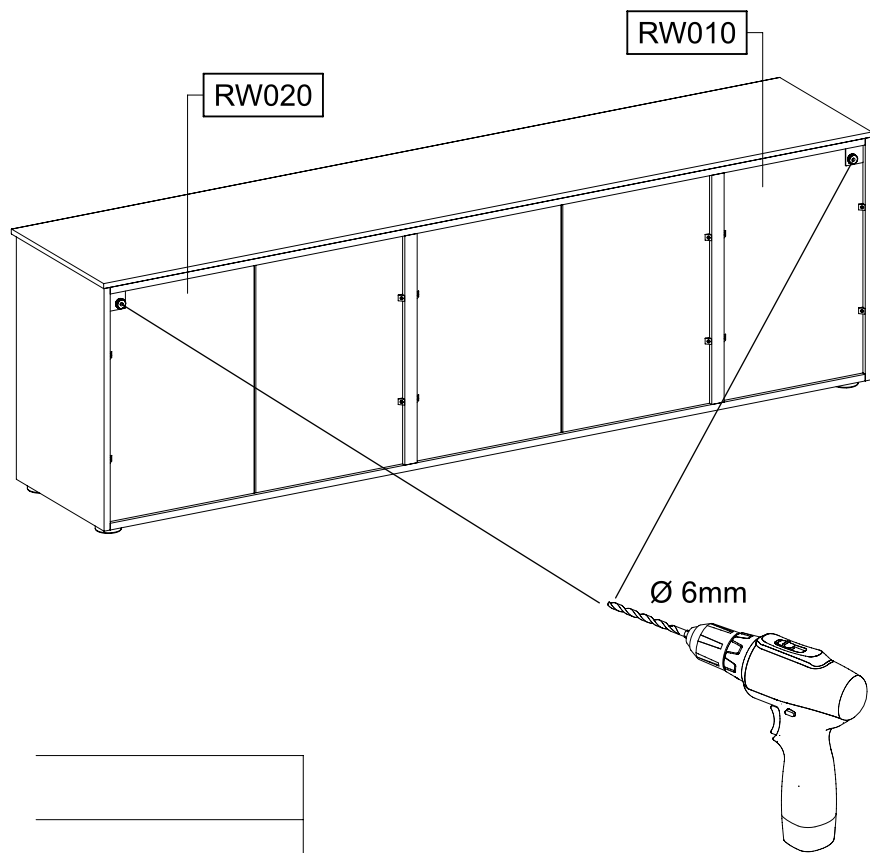
SCAN ME



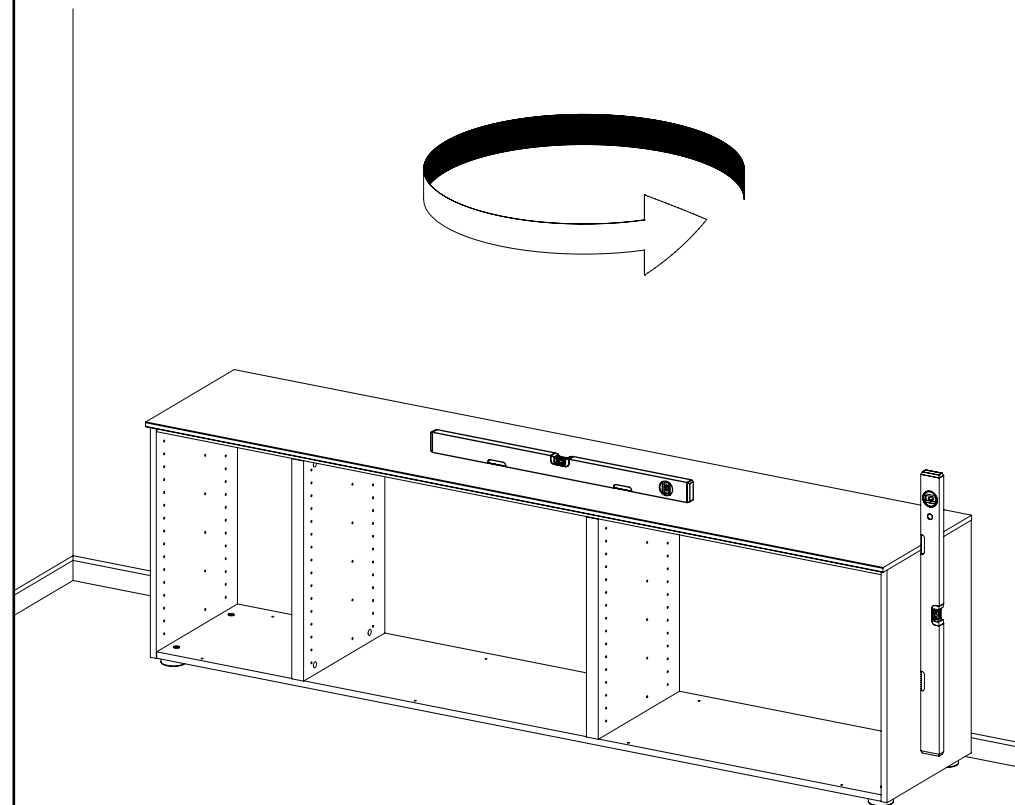
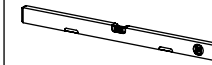
27

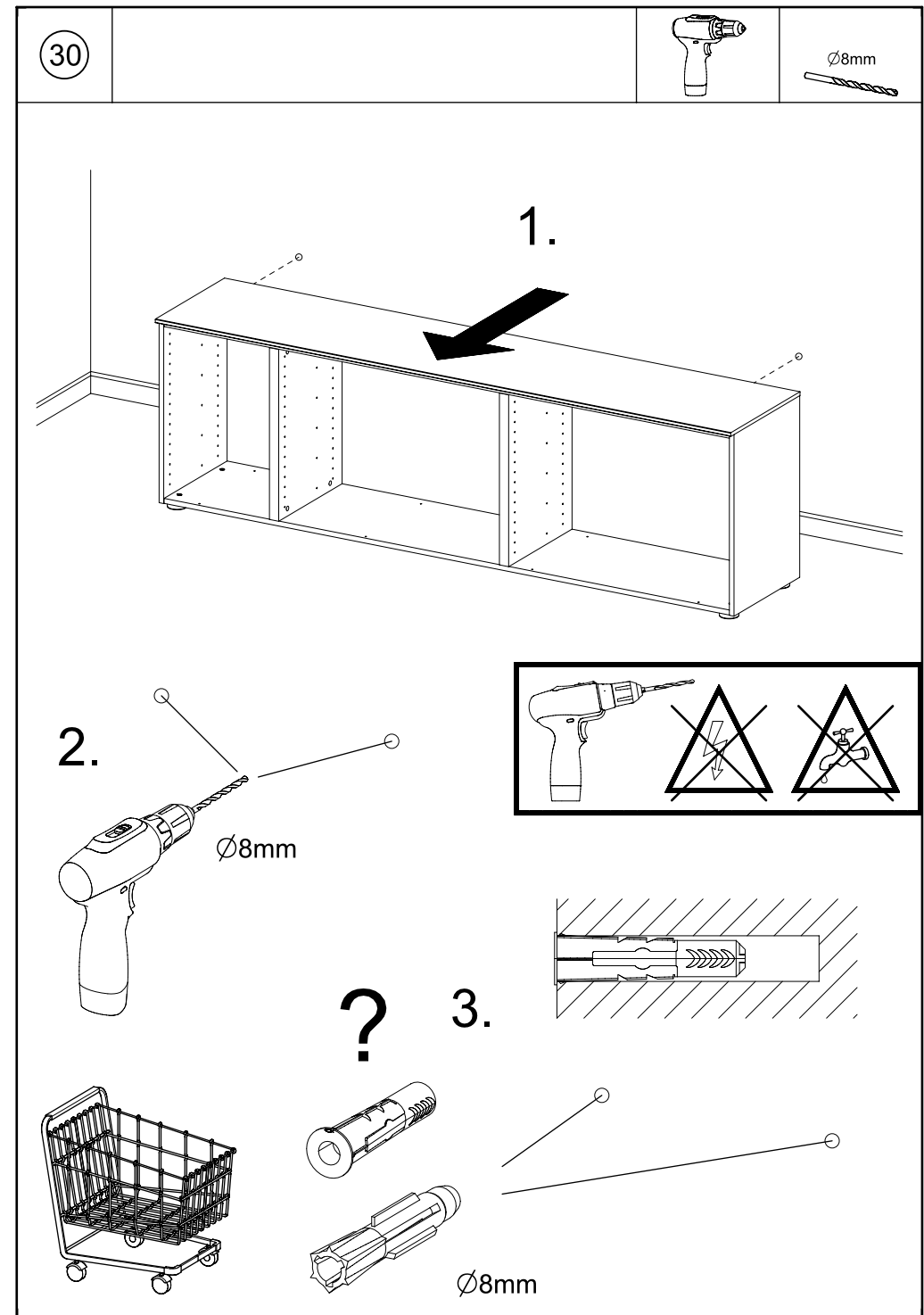
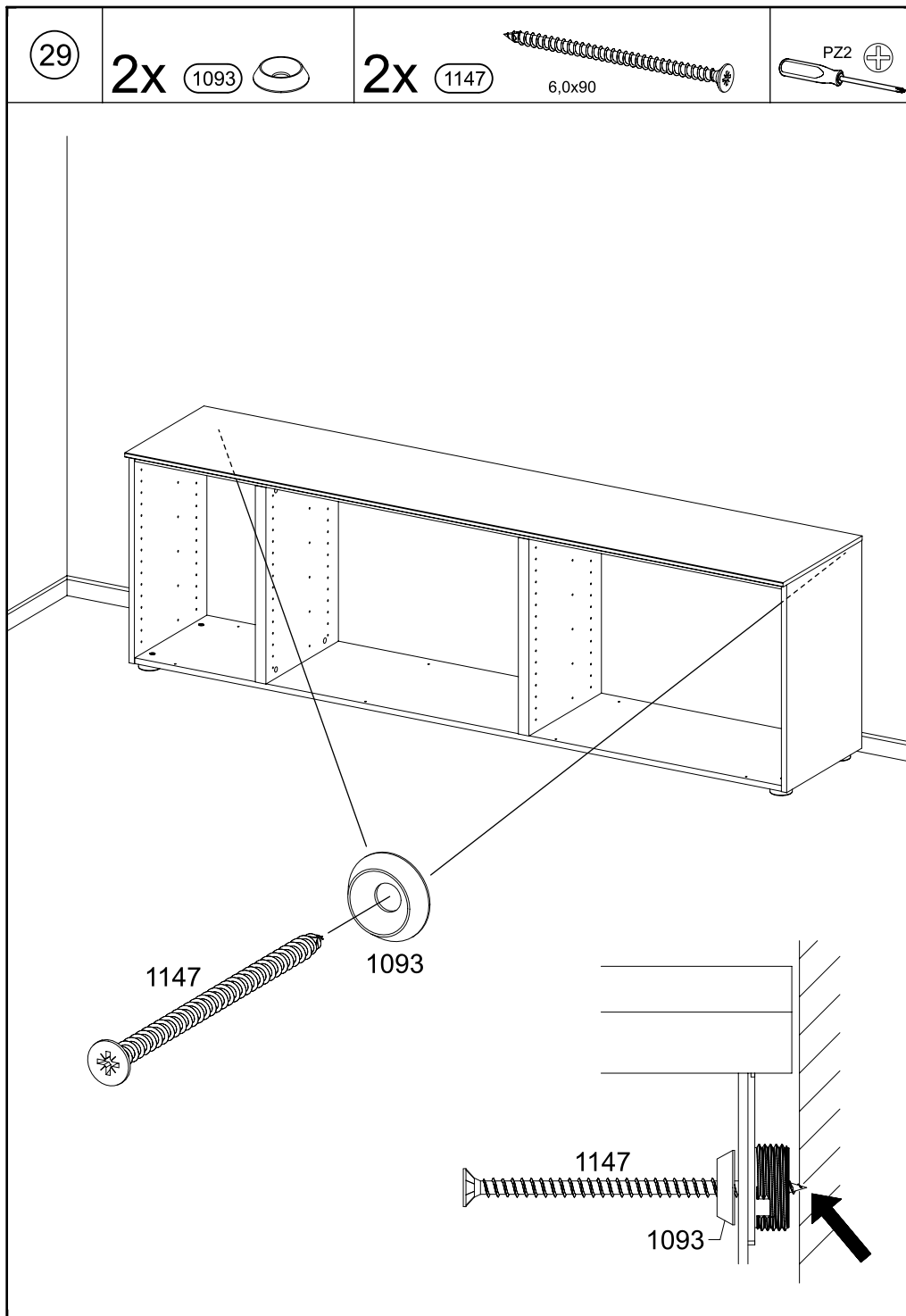


Ø6mm



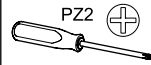
28



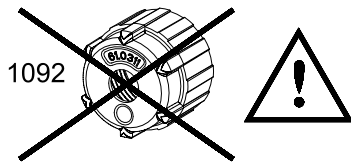
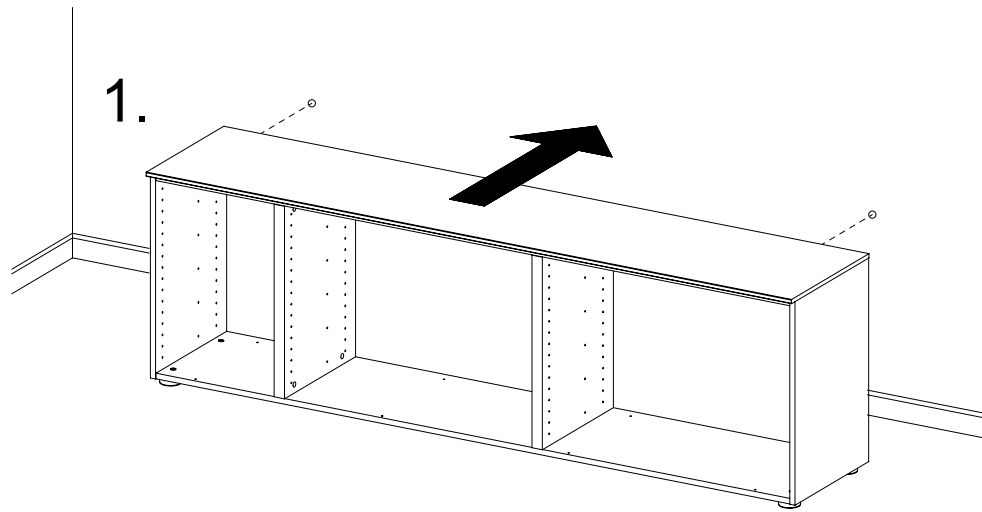


31

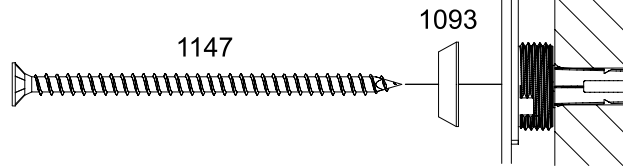
2x 1092



1.



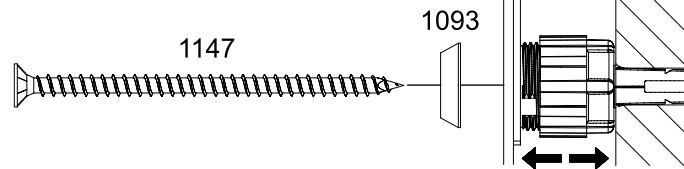
2.



10-15mm



2.

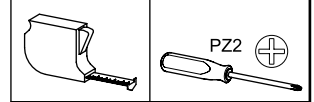
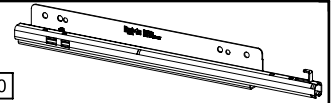


32

6x 792 6,3x9

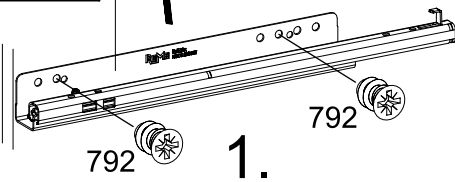
6x 836 4x15

3x UF010

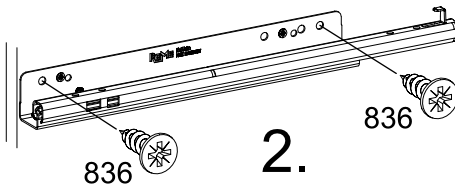


MS010

UF010



1.



2.

418mm

226mm

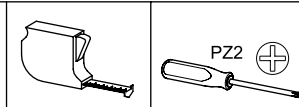
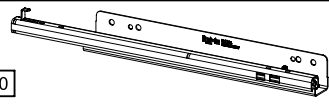
34mm

33

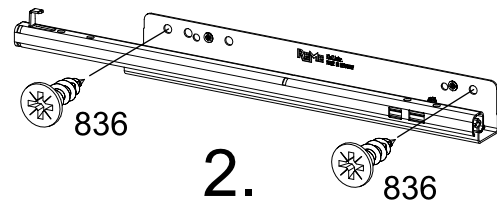
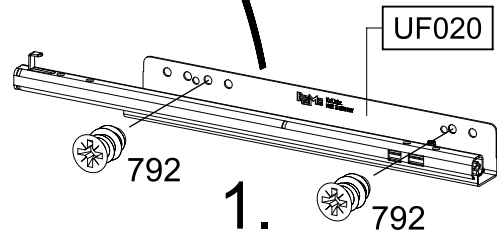
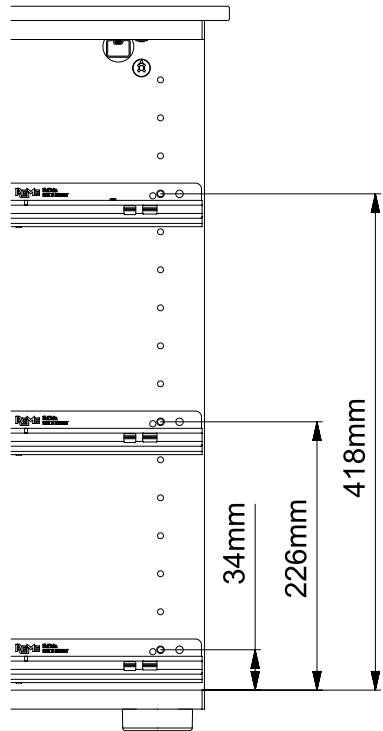
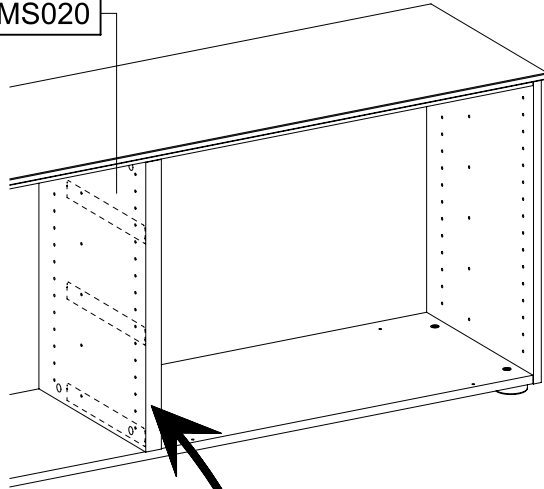
6x 792 6,3x9

6x 836 4x15

3x UF020

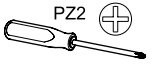
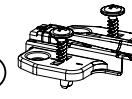


MS020

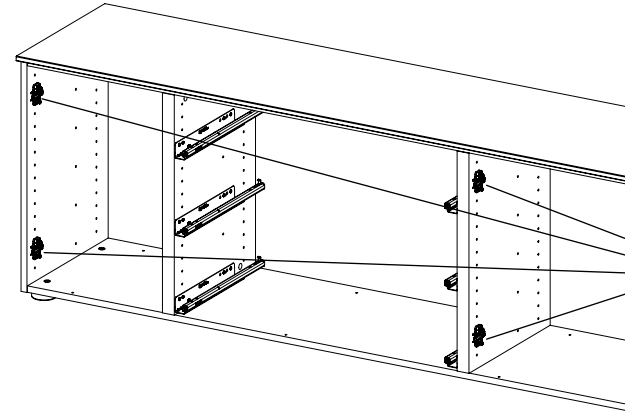


34

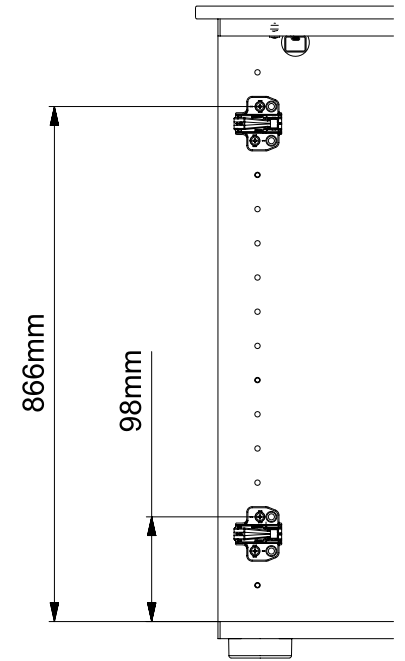
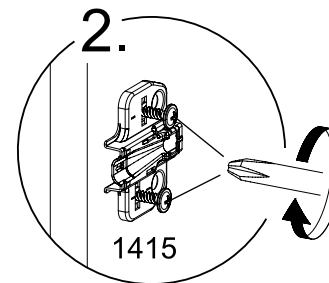
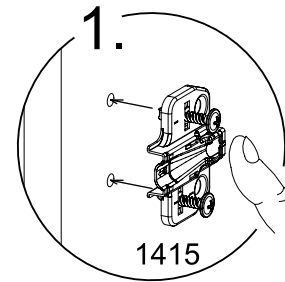
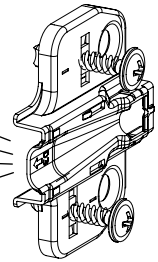
4x 1415



SCAN ME

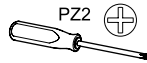
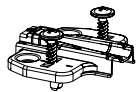


1415

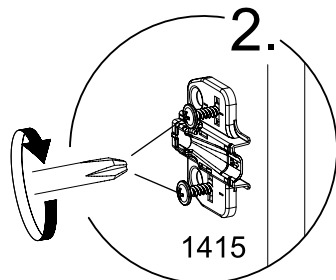
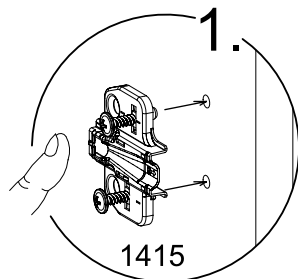
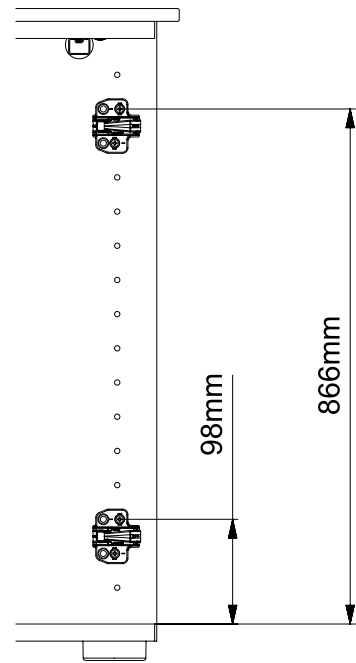
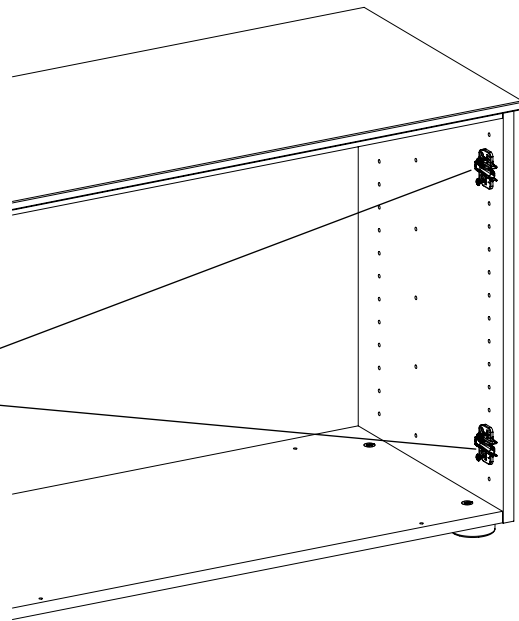


35

2x 1415

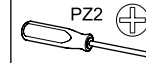


1415



36

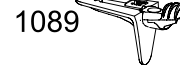
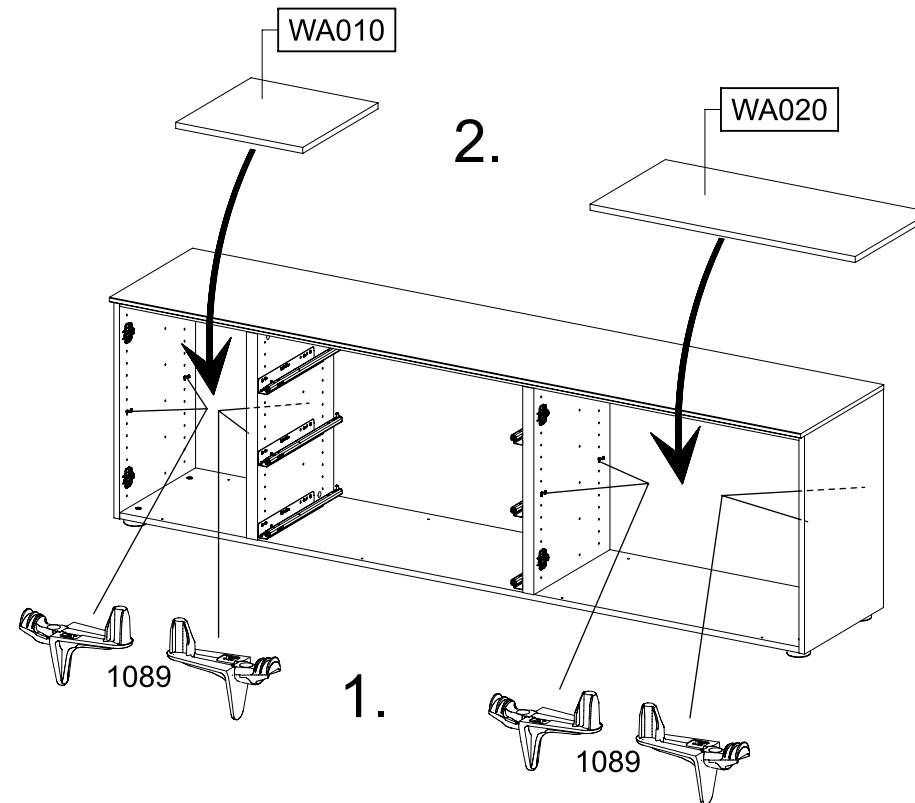
8x 1089



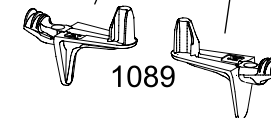
WA010

2.

WA020



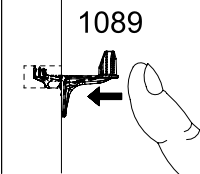
1.



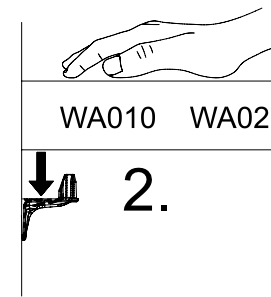
1089



1.



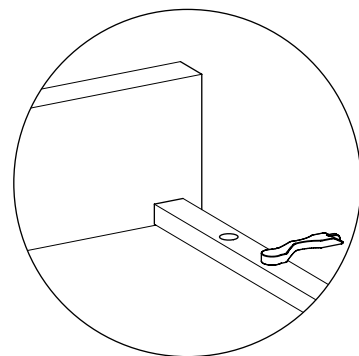
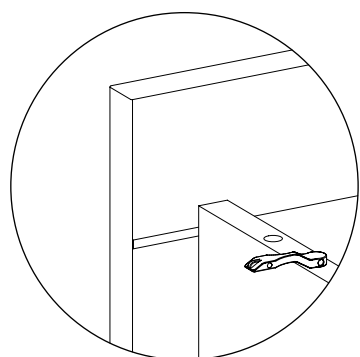
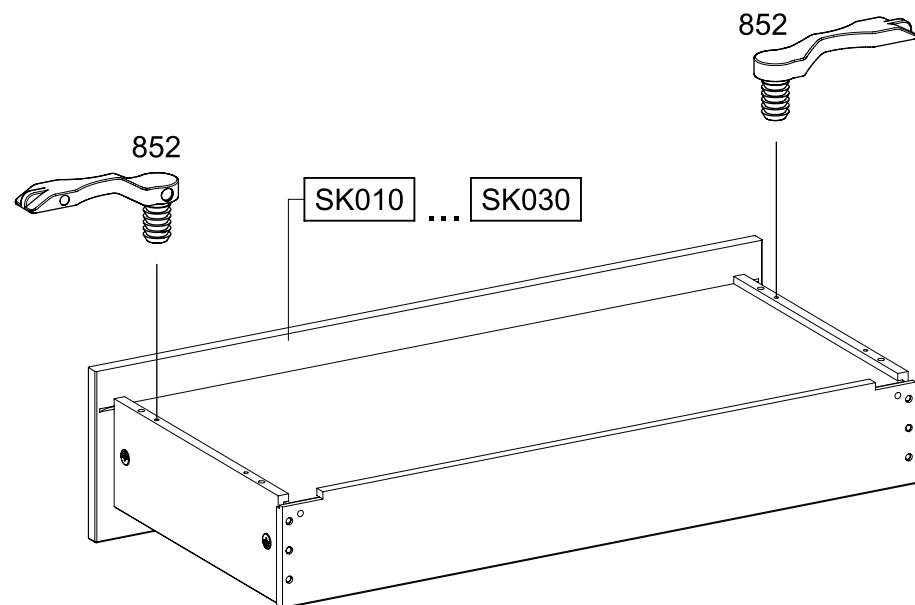

1089



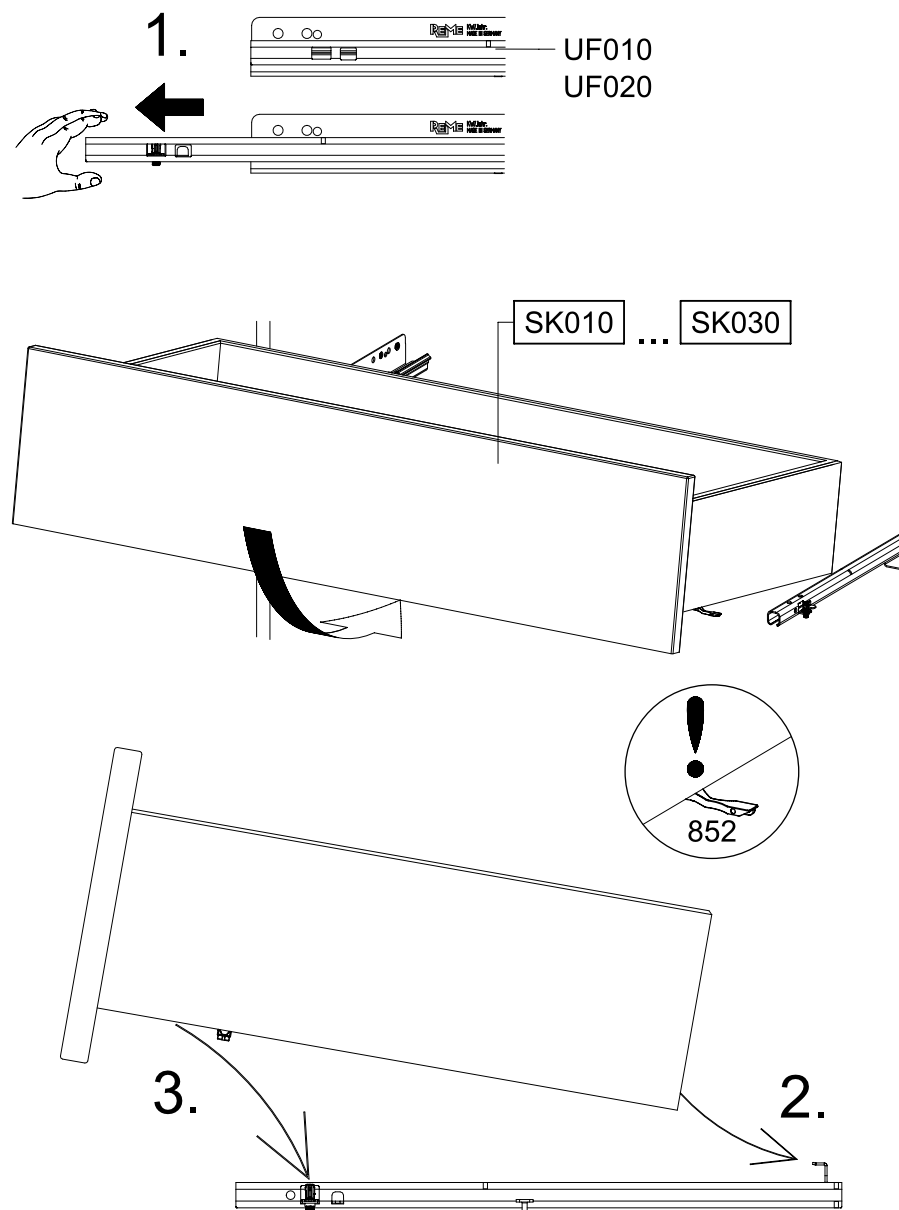
2.

WA010 WA020

37

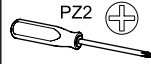
6x 852 

38

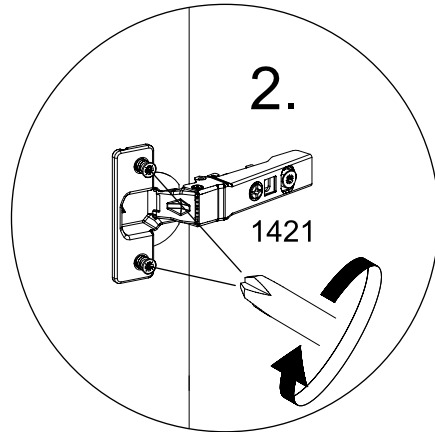
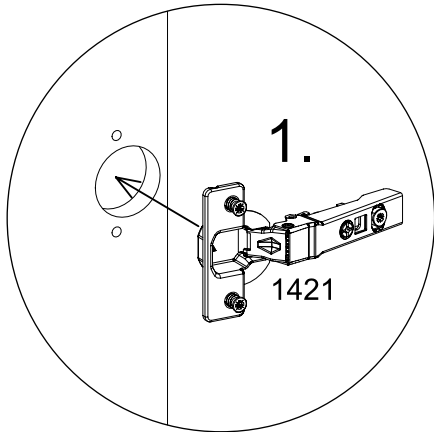
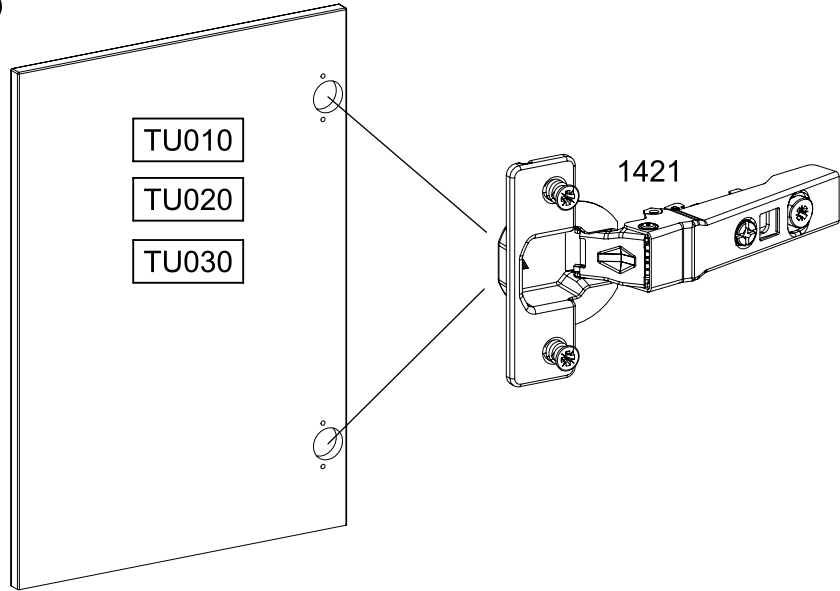


39

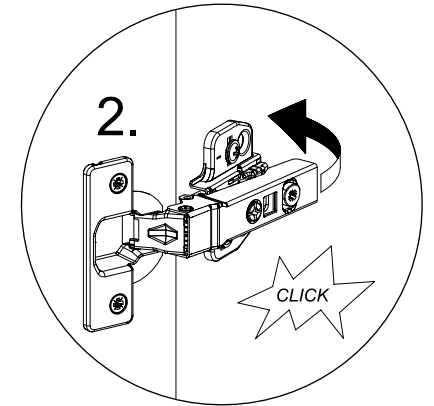
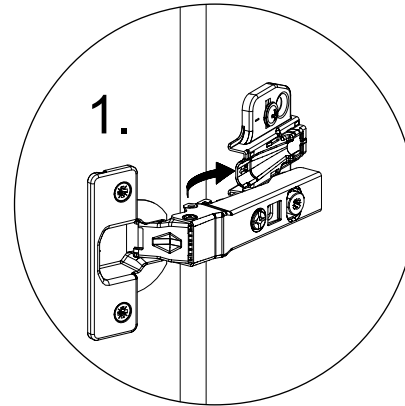
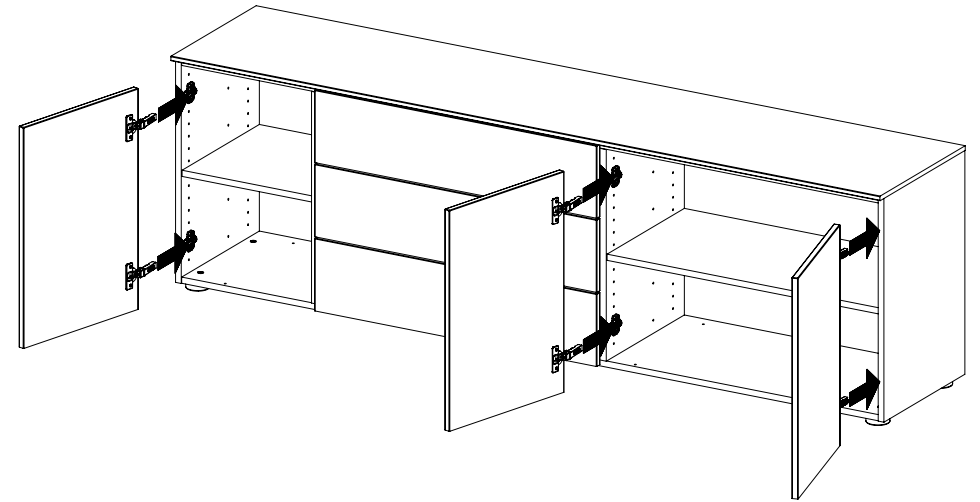
6x 1421



SCAN ME



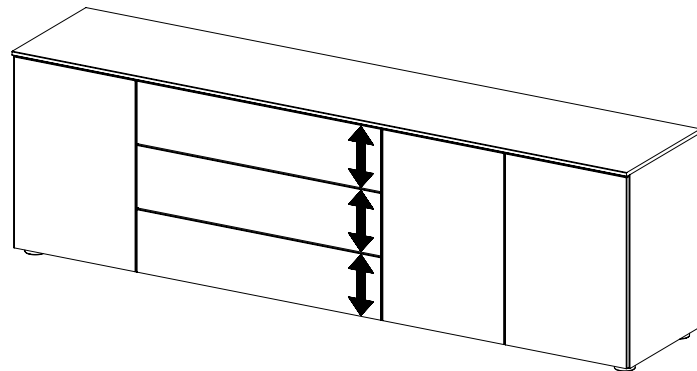
40



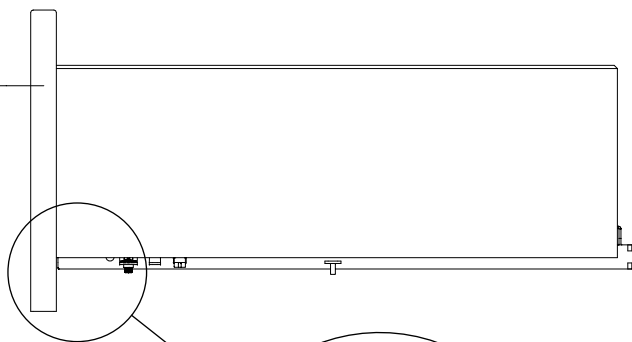
41



SCAN ME

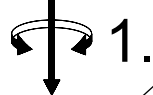
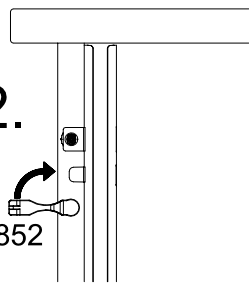


SK010  
SK020  
SK030



2.

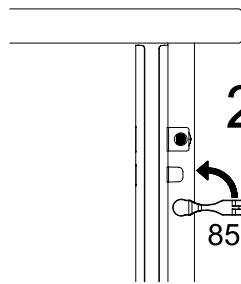
852



1.

2.

852



42



SCAN ME

