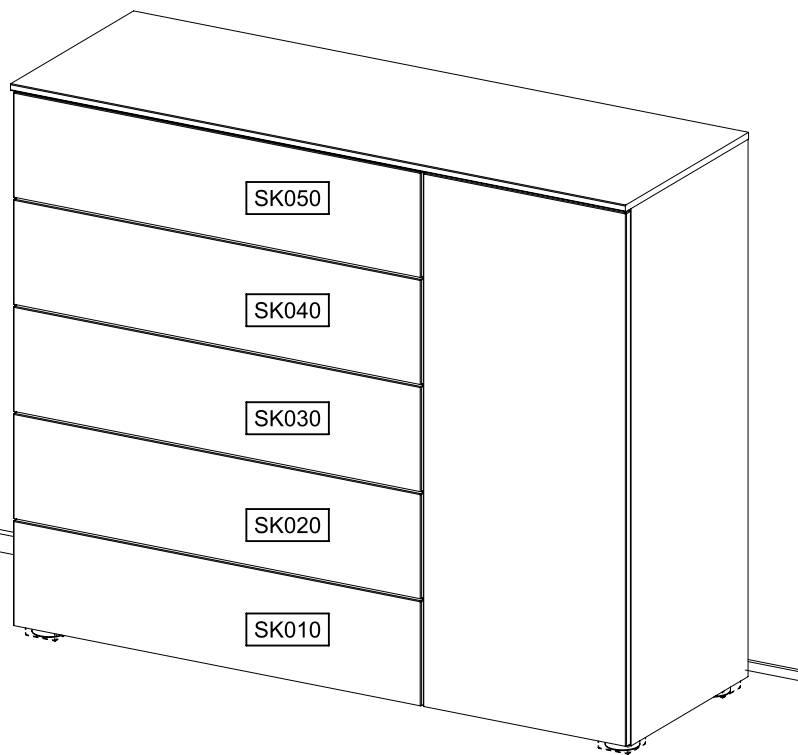
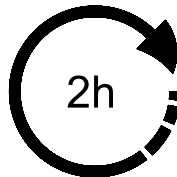
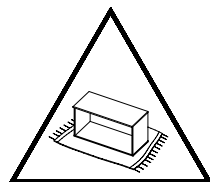
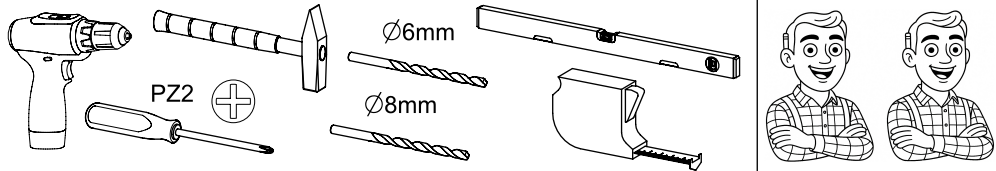
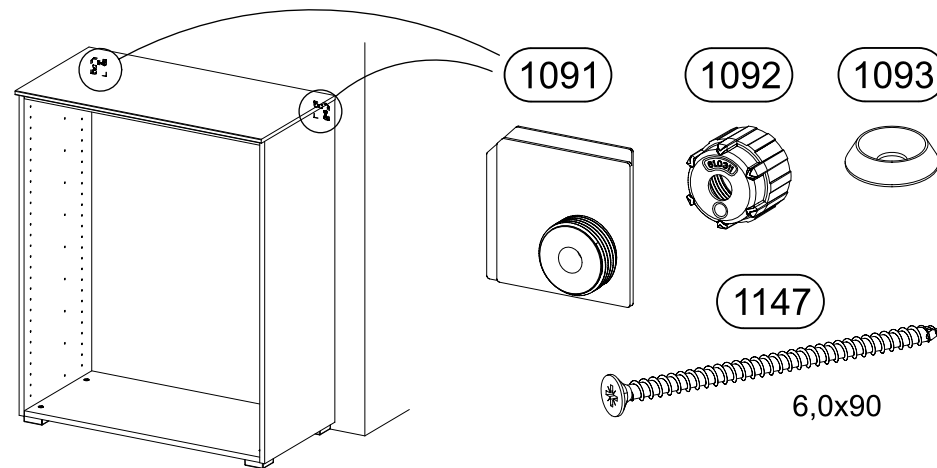
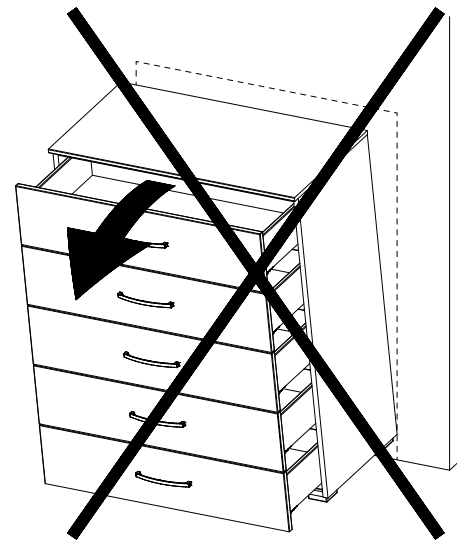


1.

M3171_02



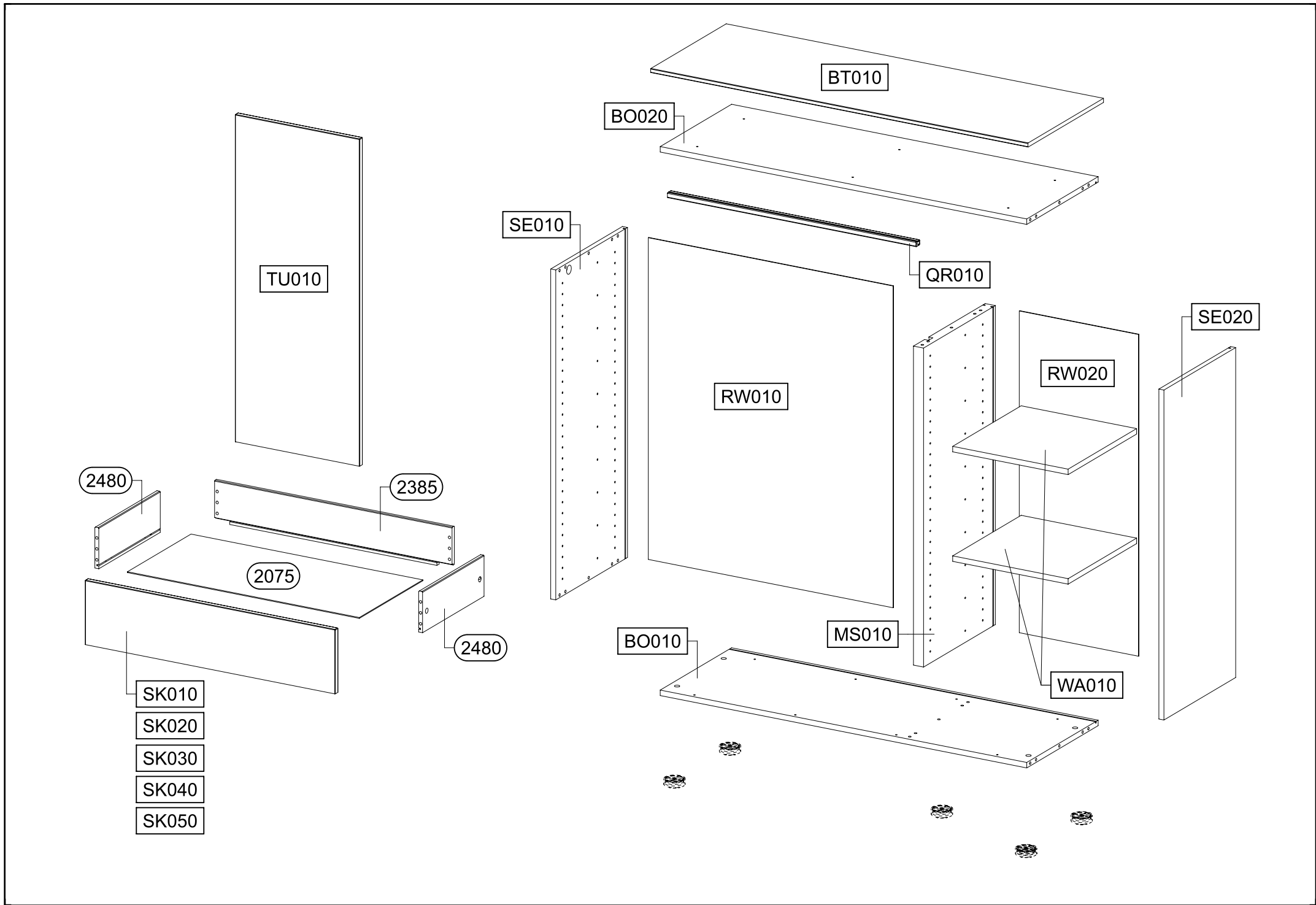
2.

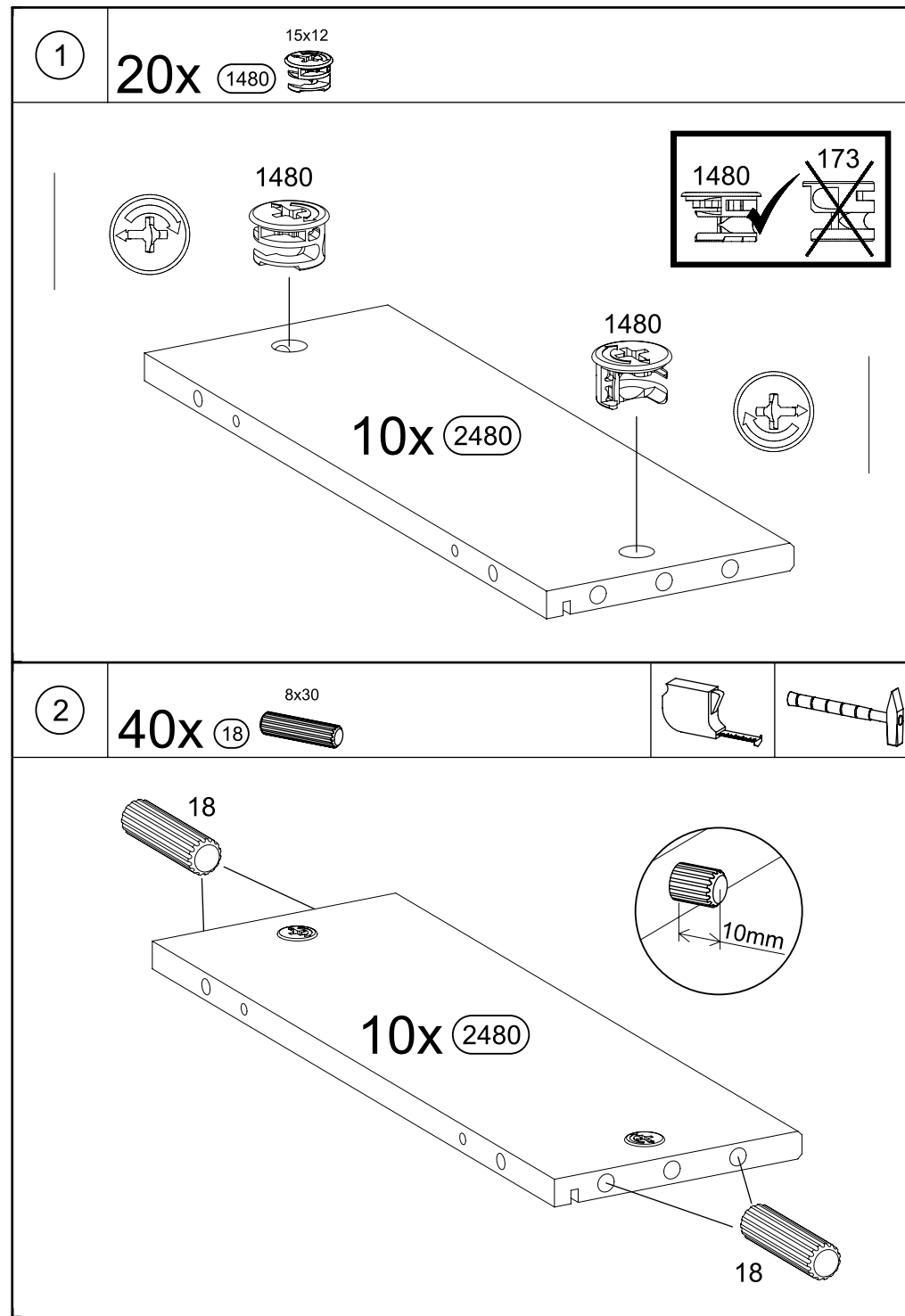
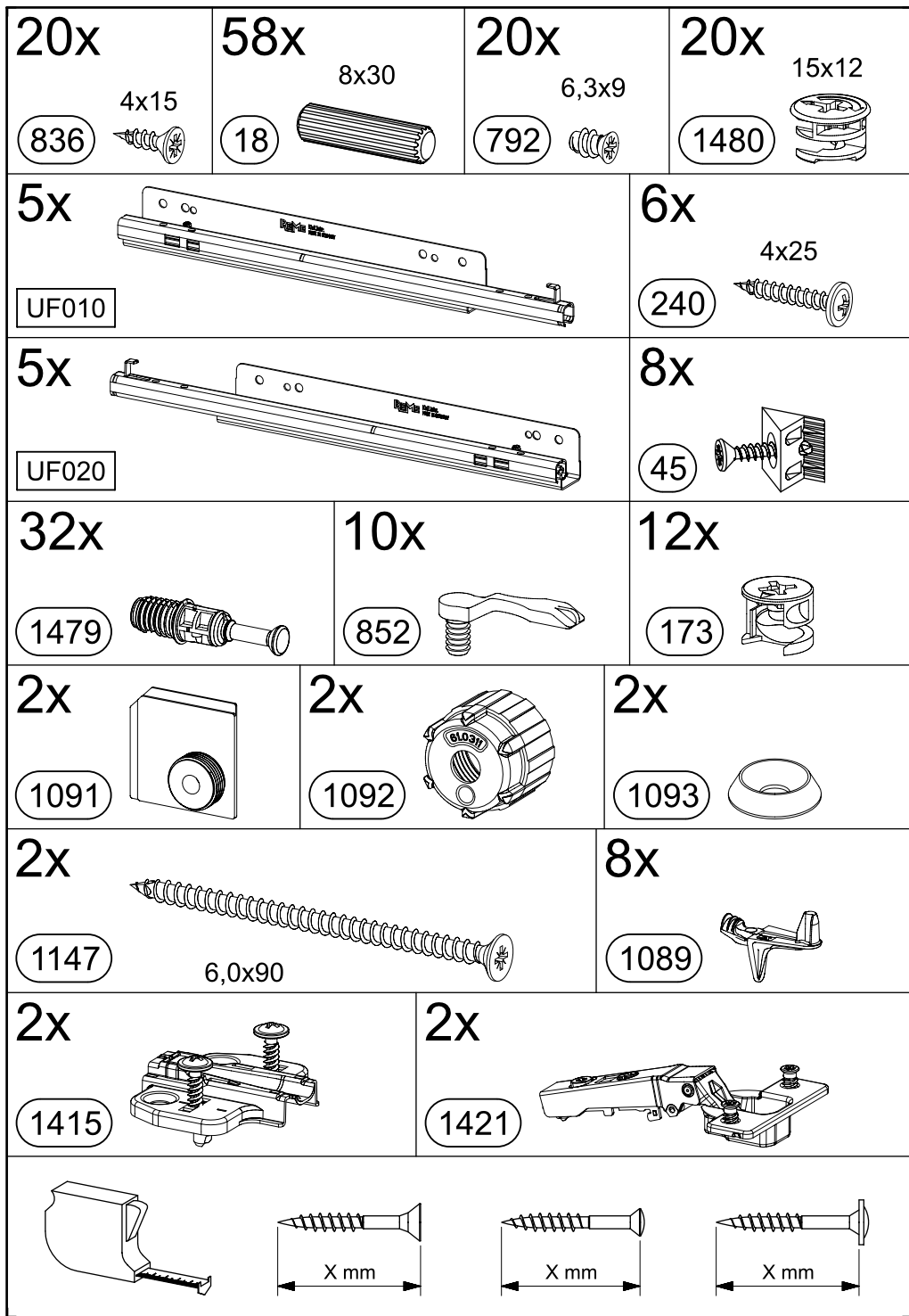


VIDEO



SCAN ME





3

1479



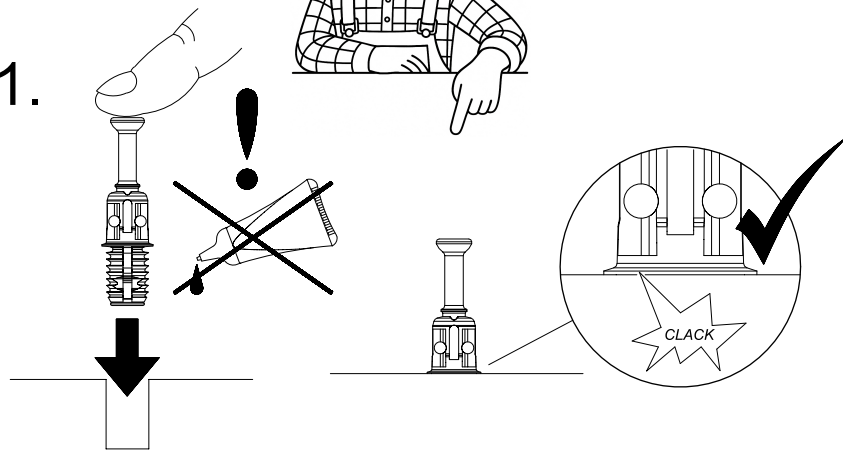
Function!



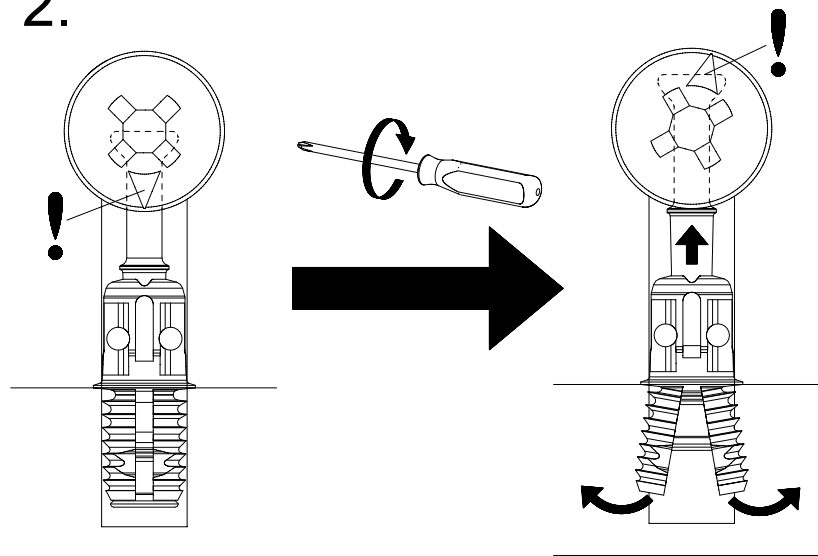
Scan Me



1.



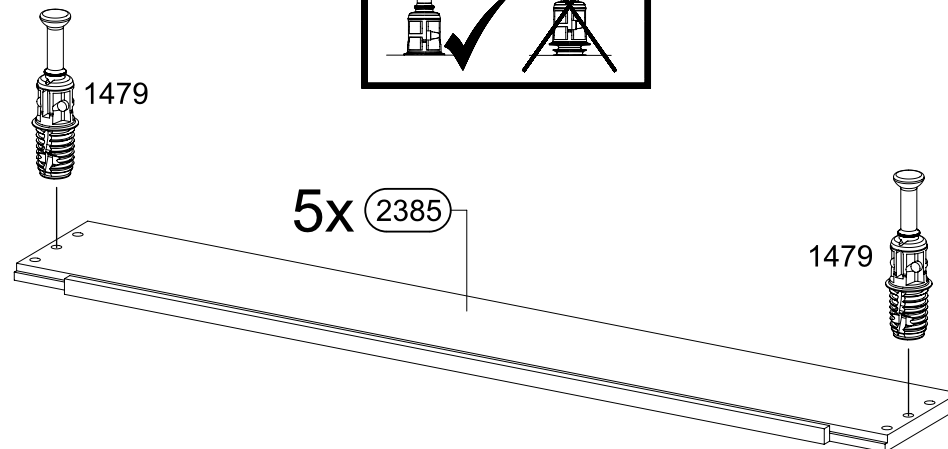
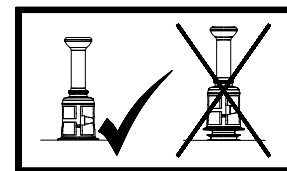
2.



4

10x

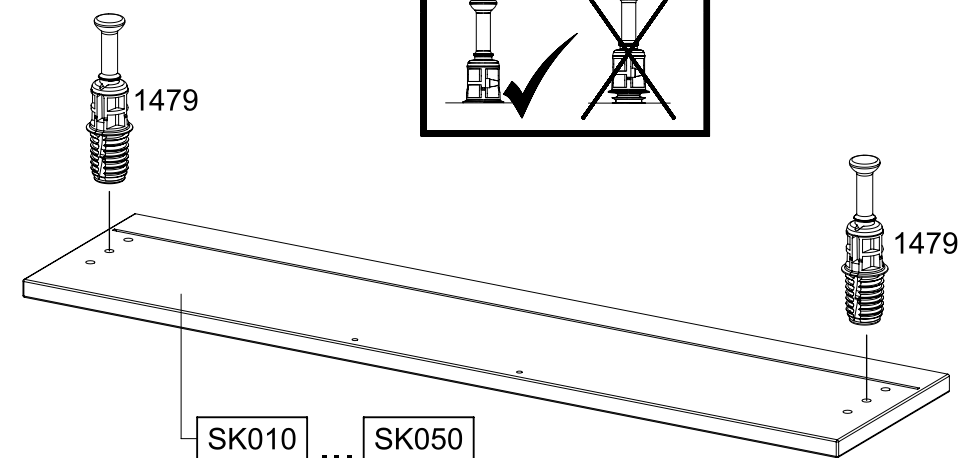
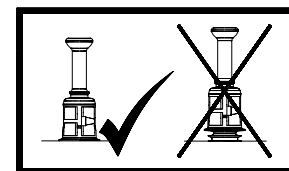
1479



5

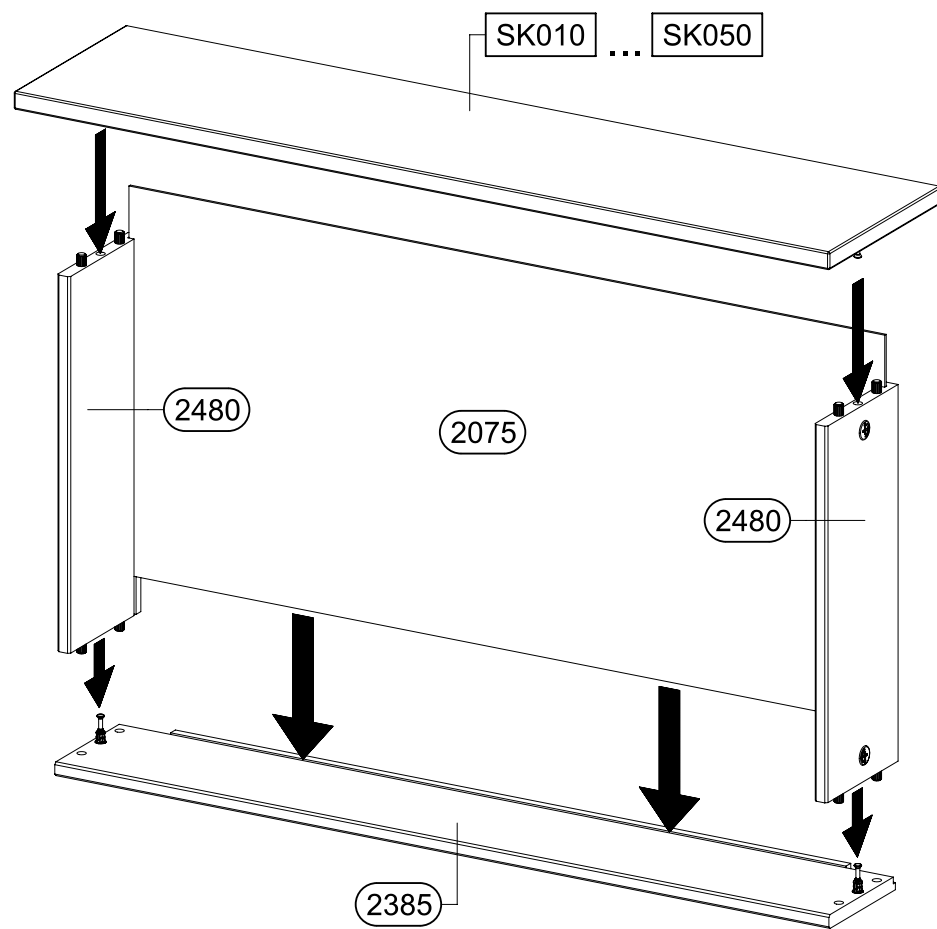
10x

1479

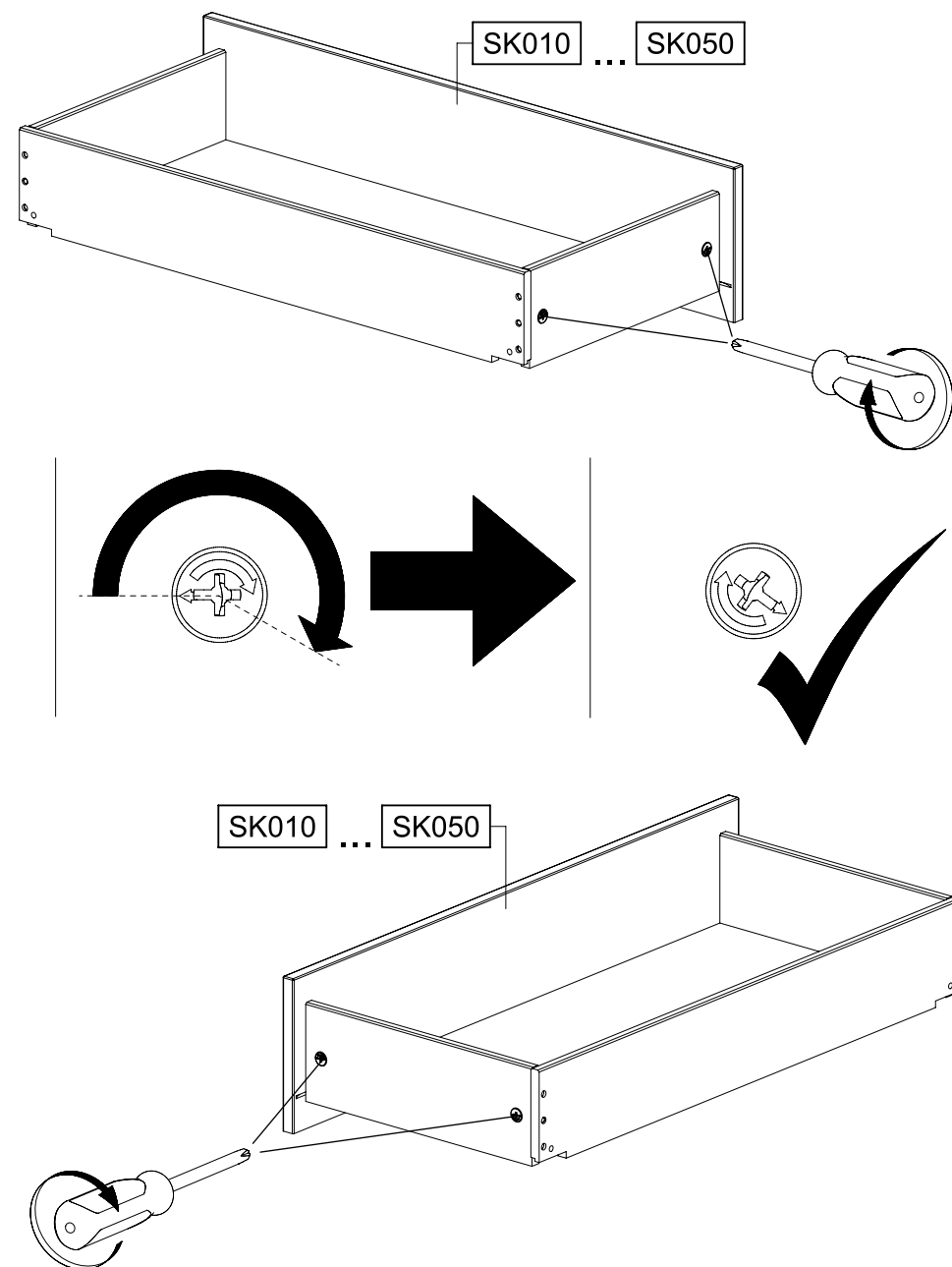
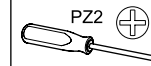


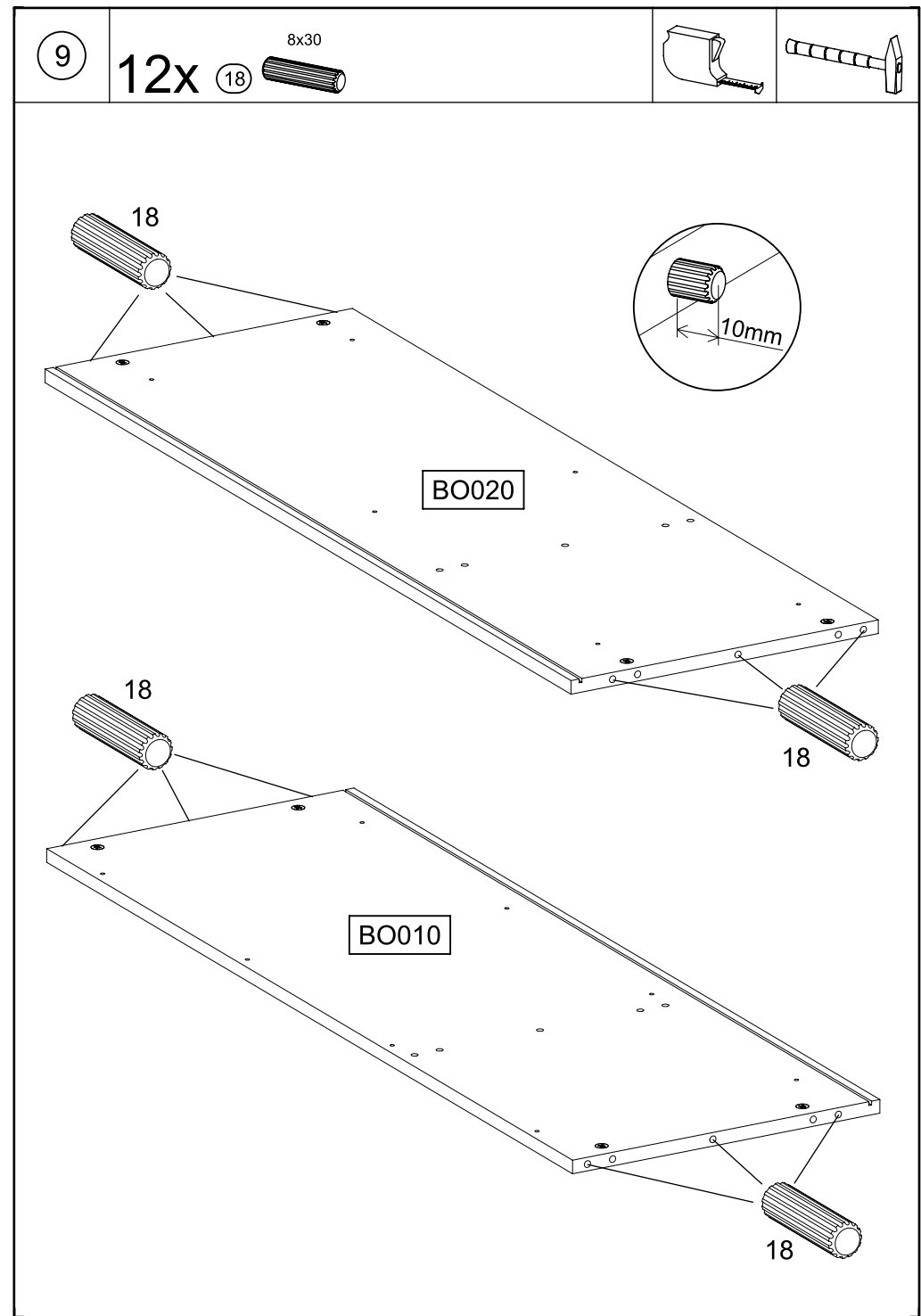
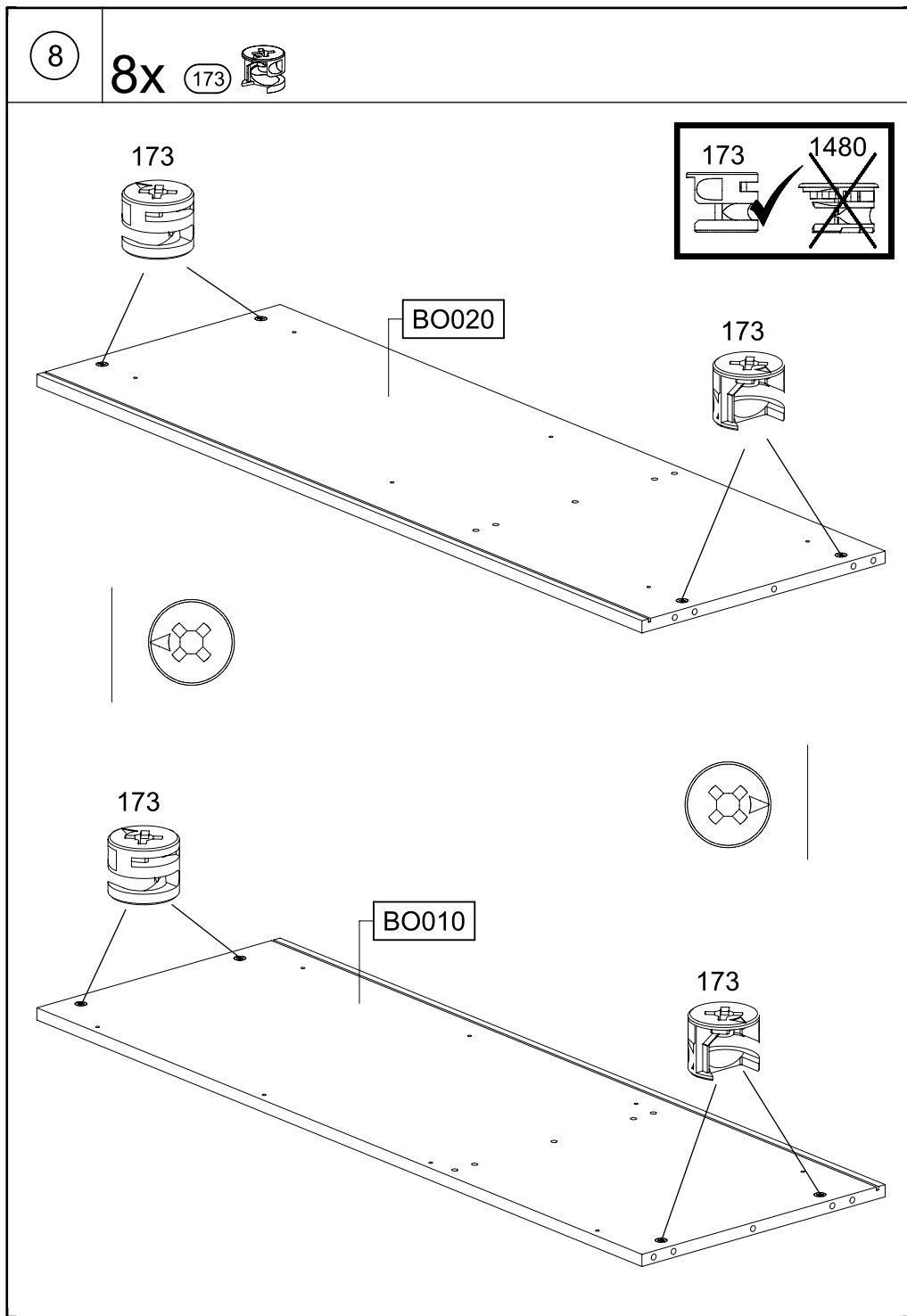
6

5x



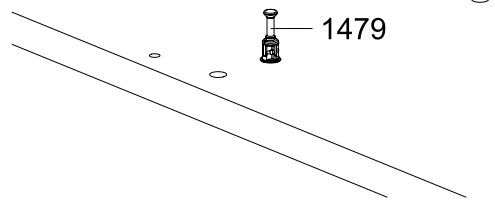
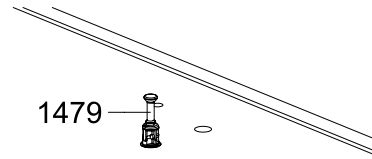
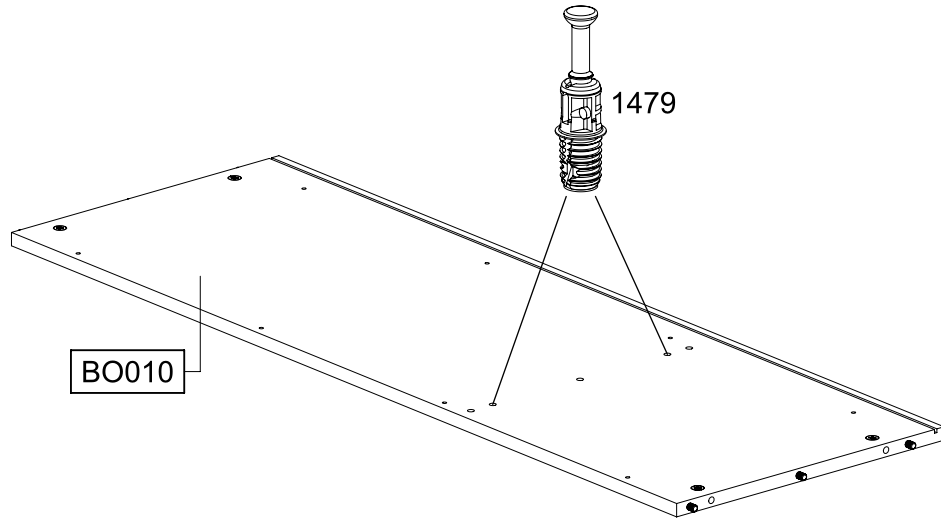
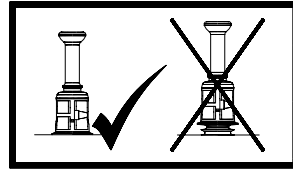
7





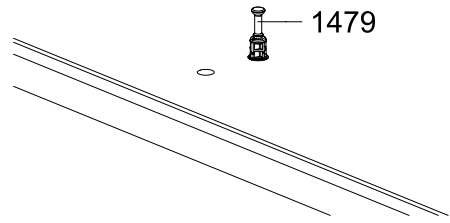
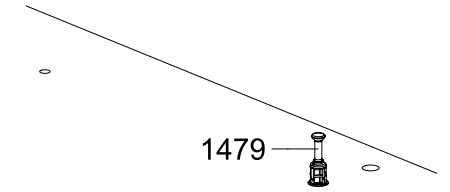
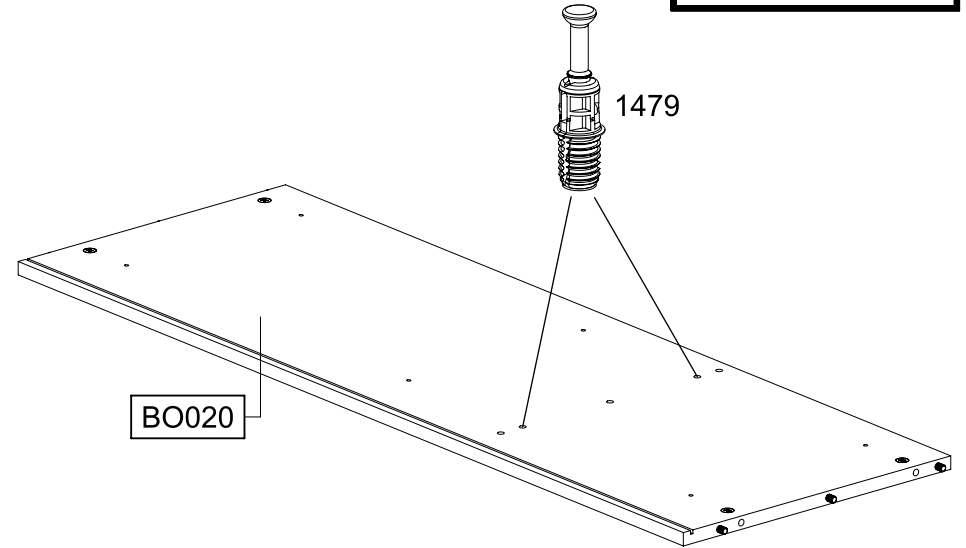
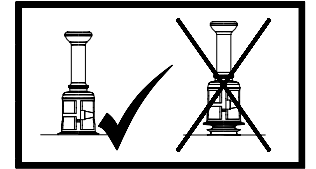
10

2x 1479 



11

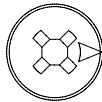
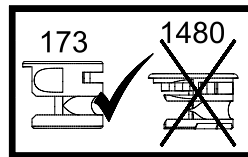
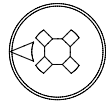
2x 1479 



12

4x

173



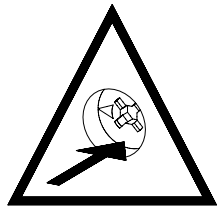
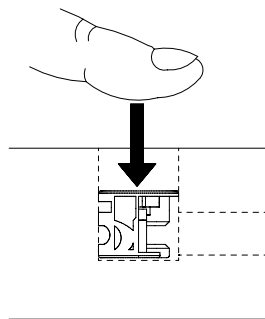
173



173



MS010

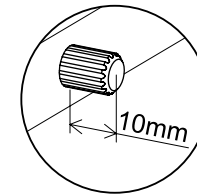
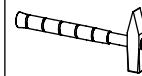
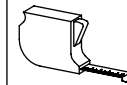


13

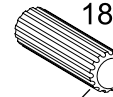
6x

18

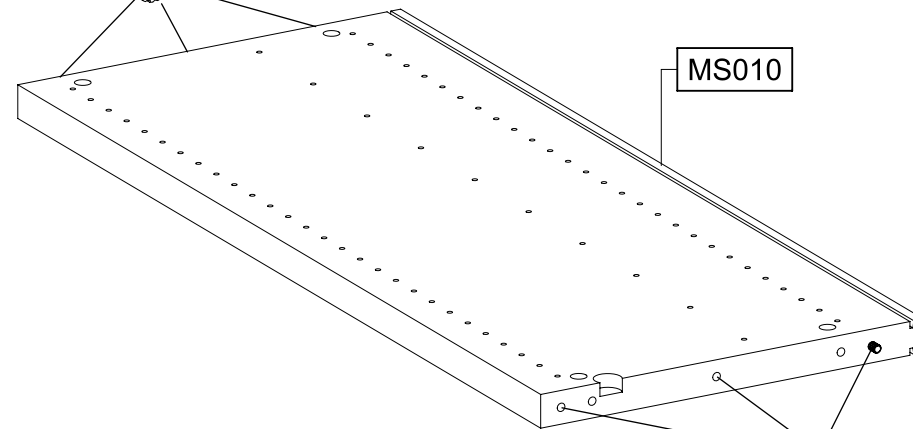
8x30



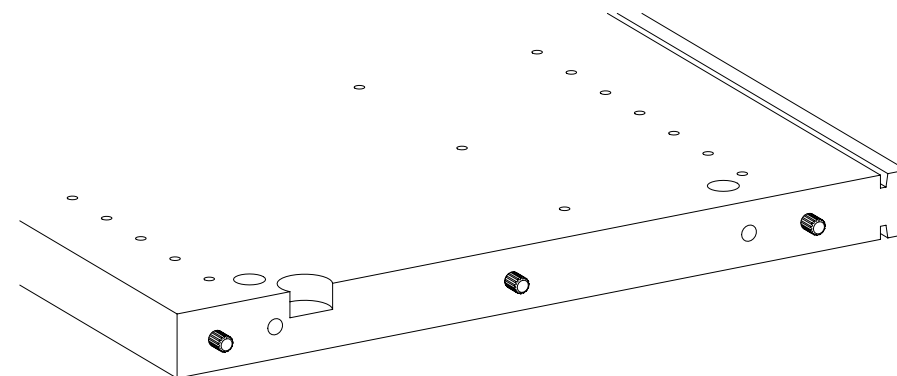
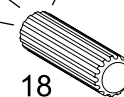
18



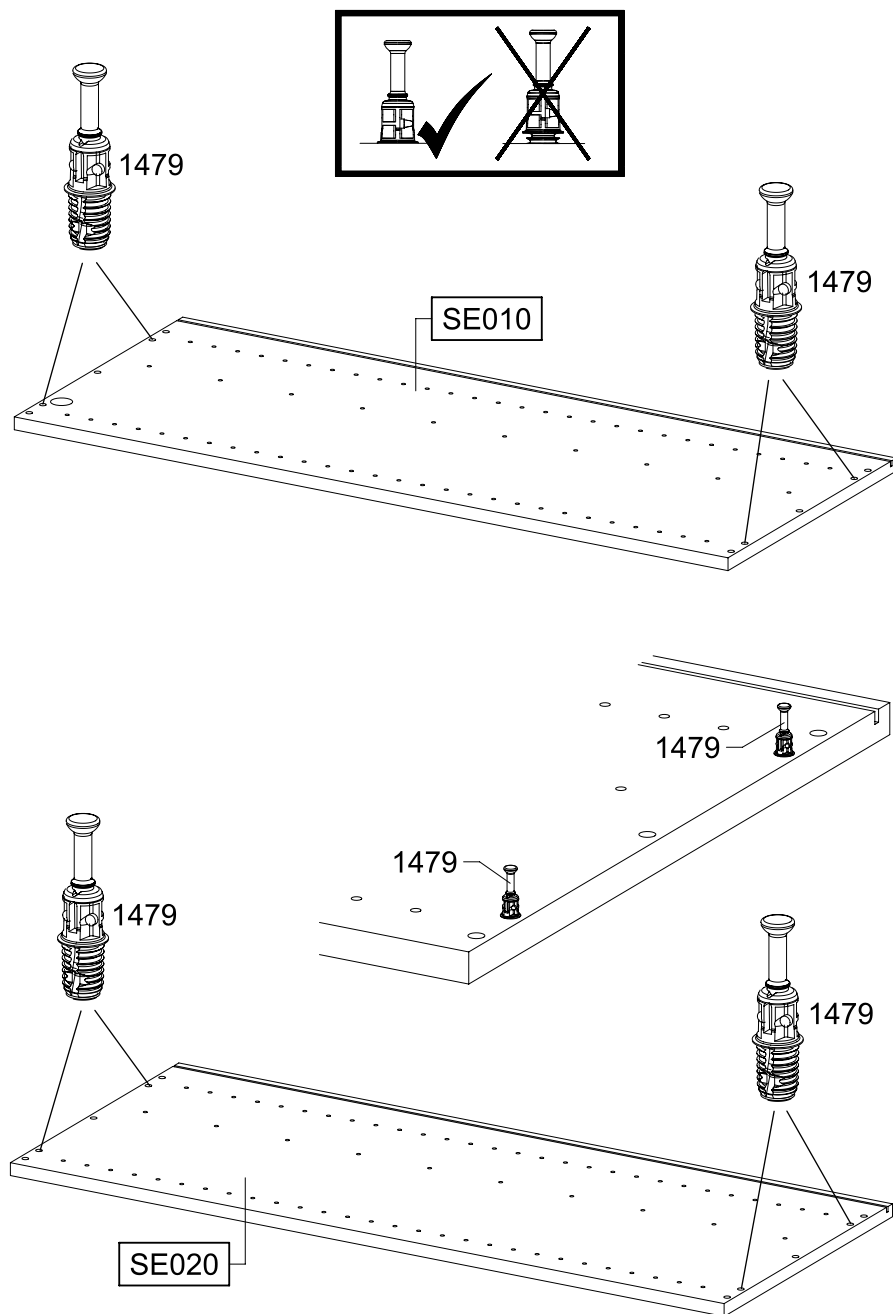

MS010



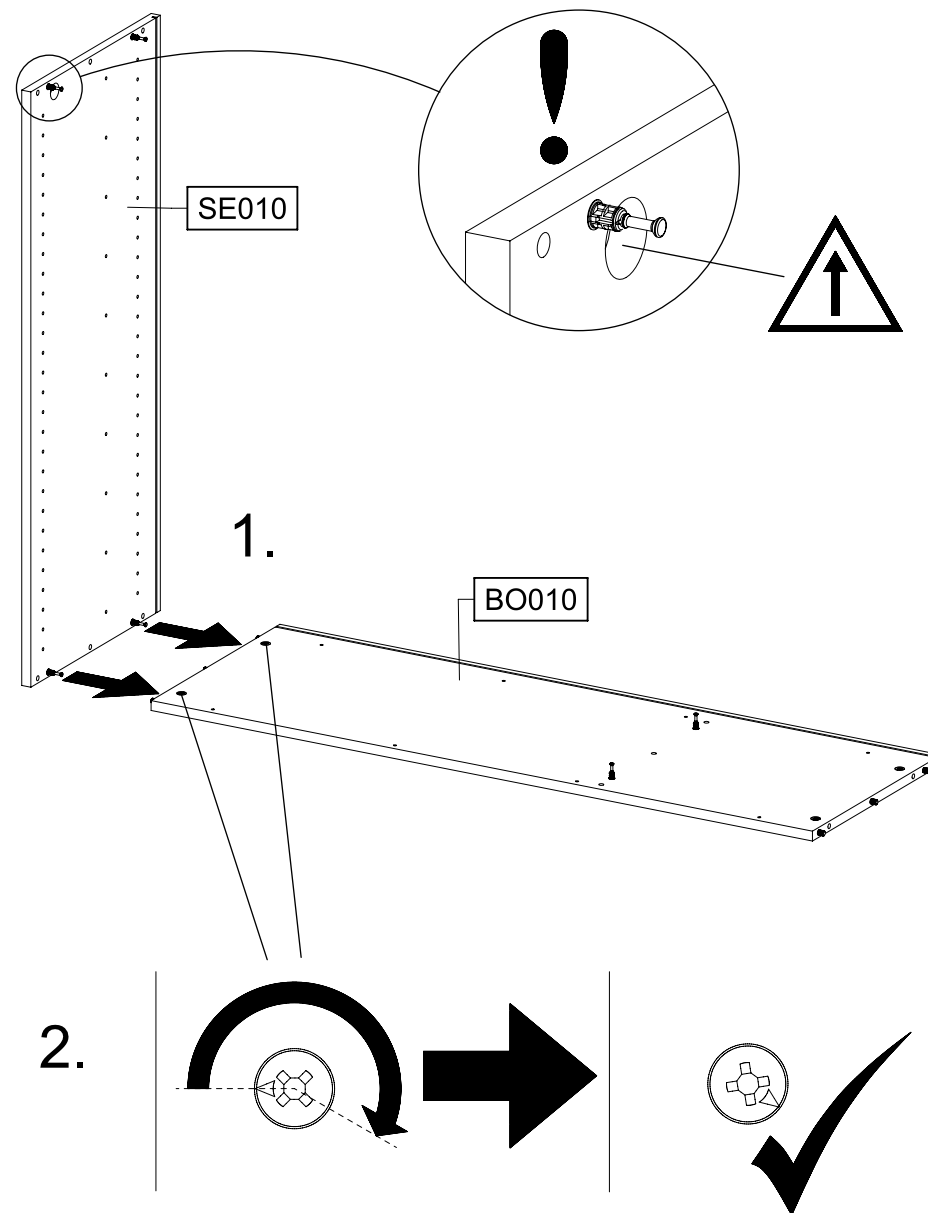
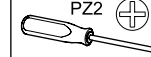
18



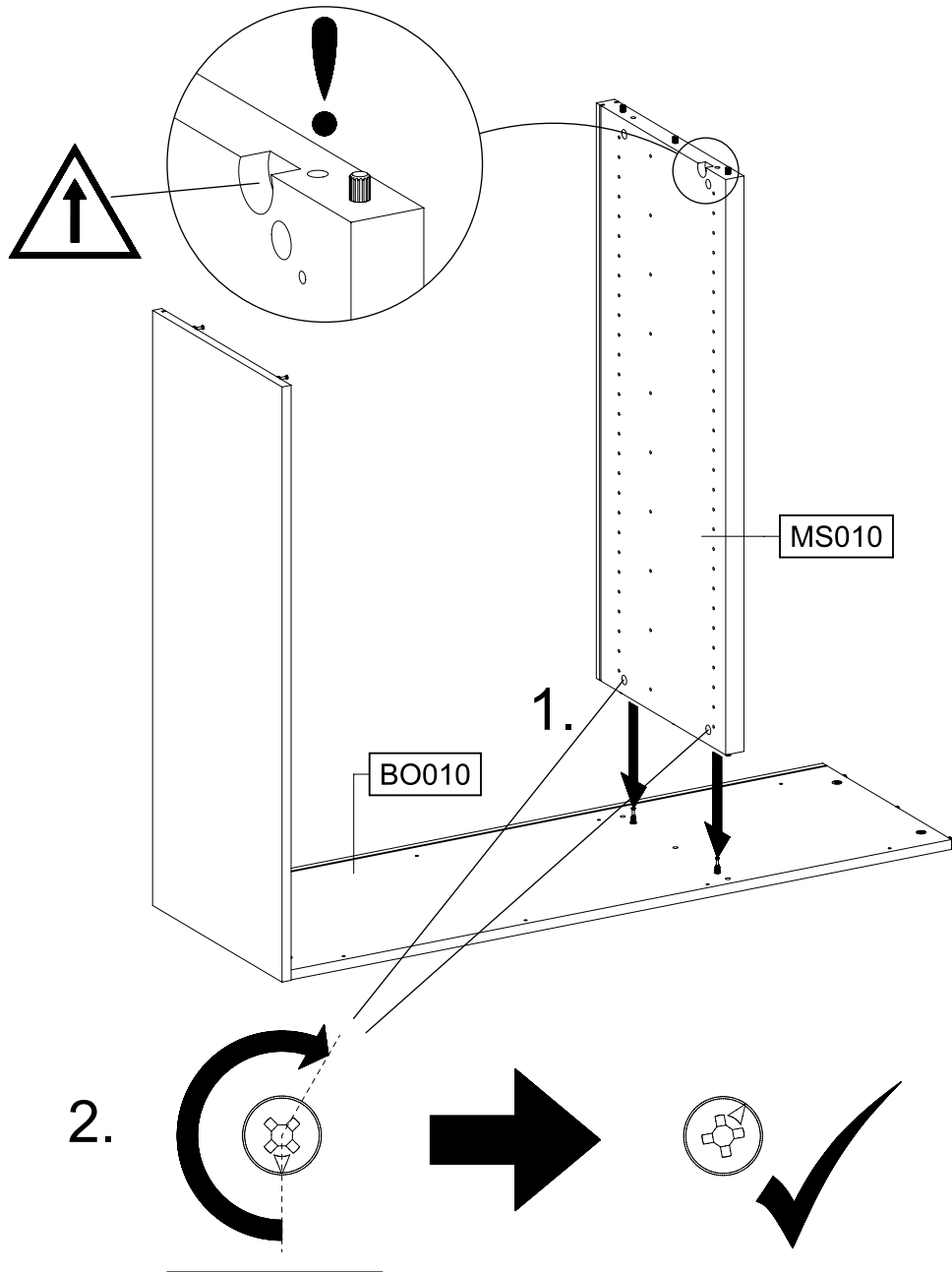
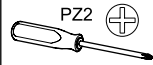
14

8x 1479 

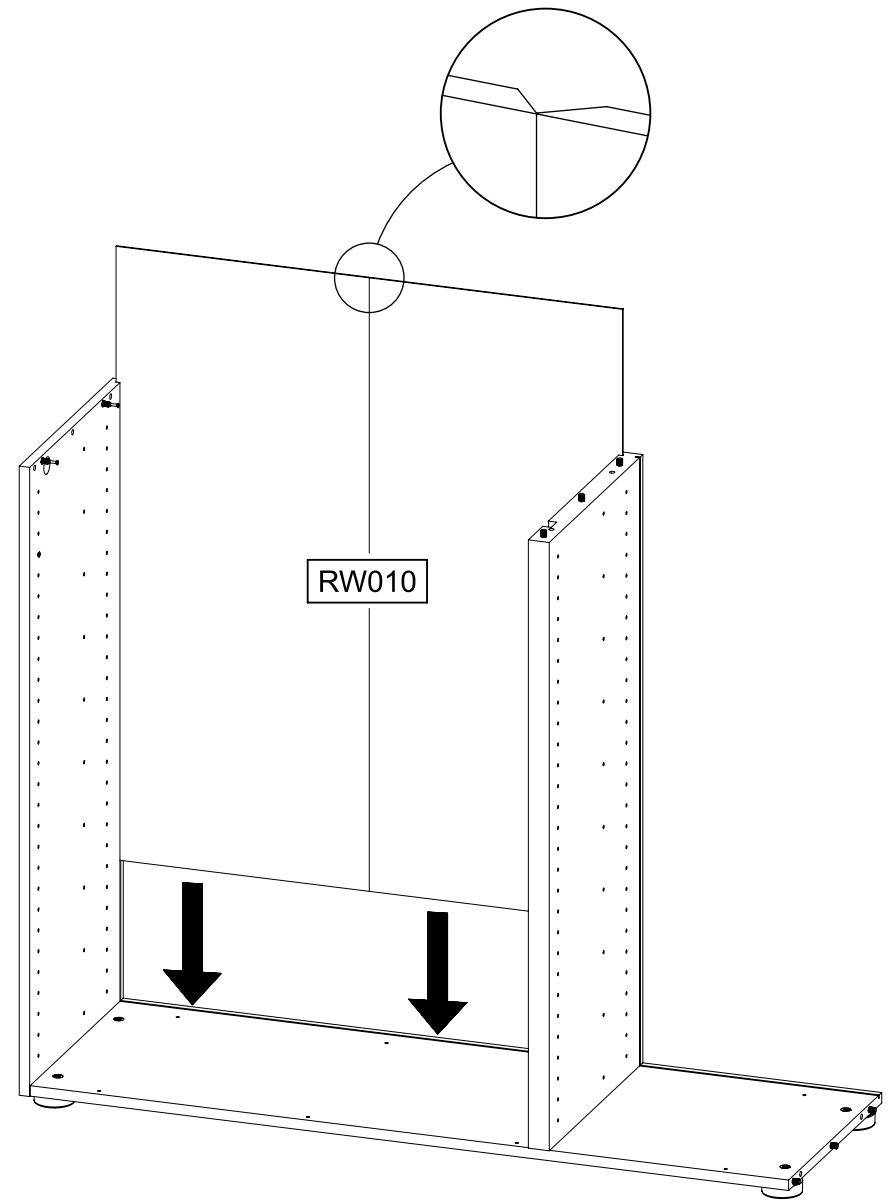
15

PZ2 

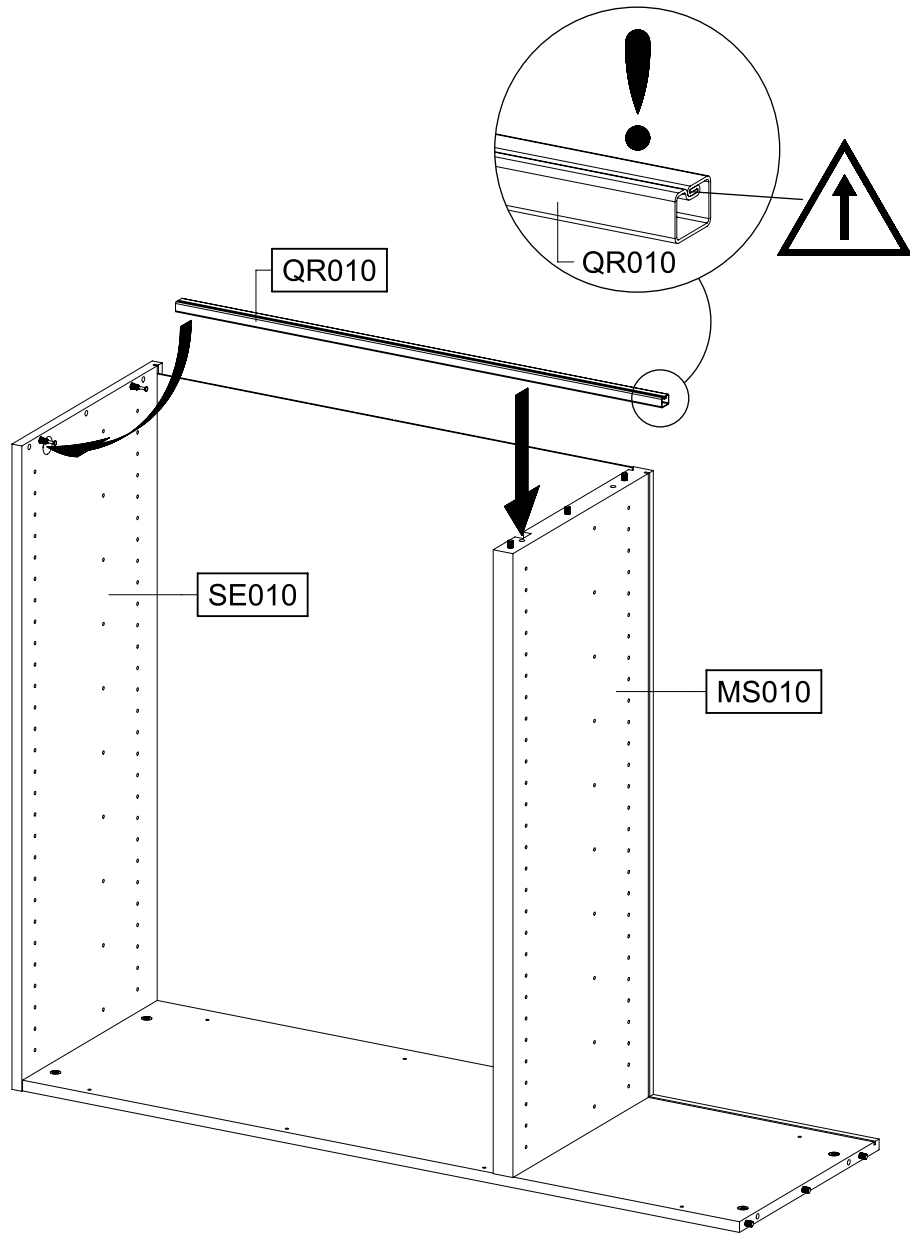
16



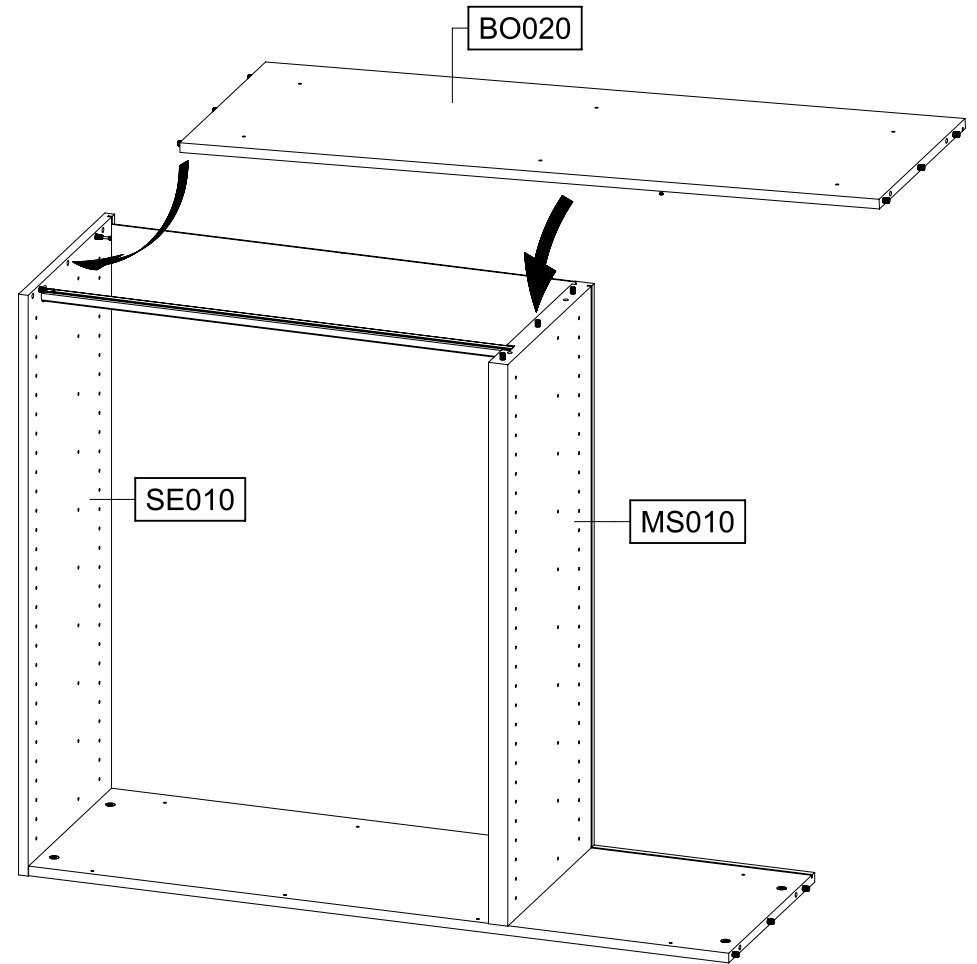
17



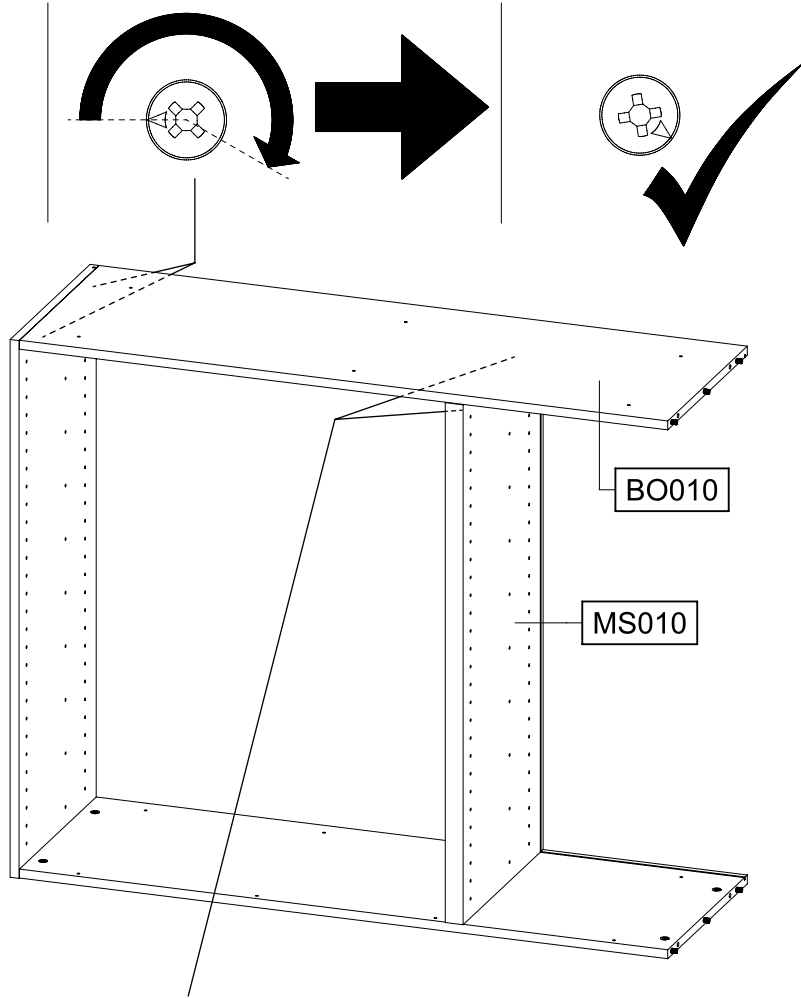
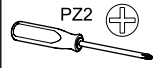
18



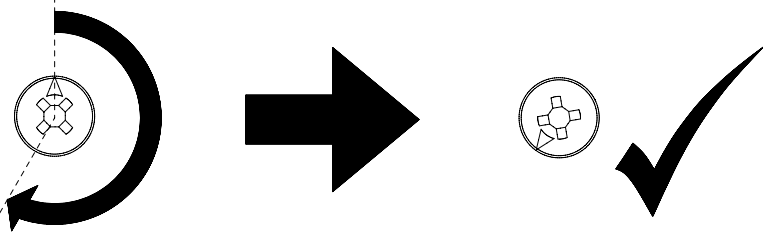
19



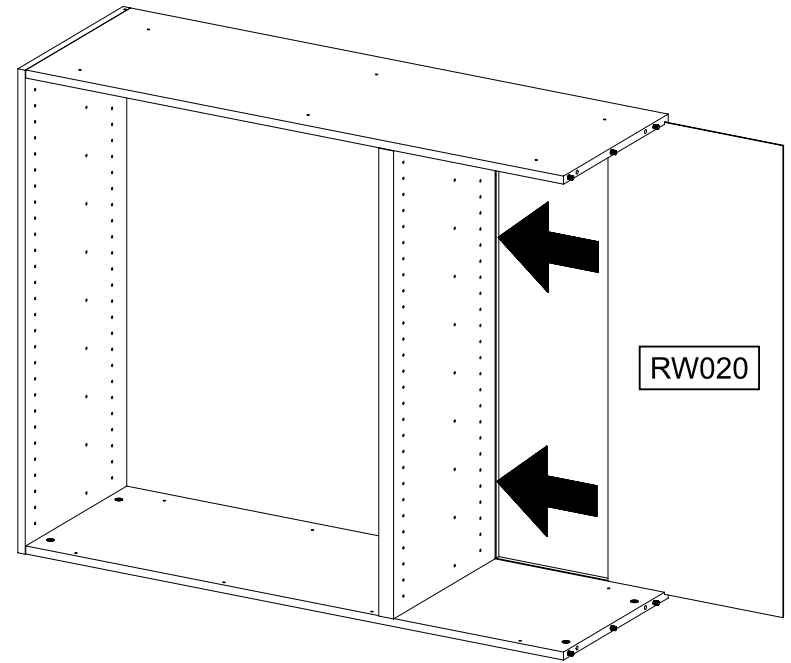
20



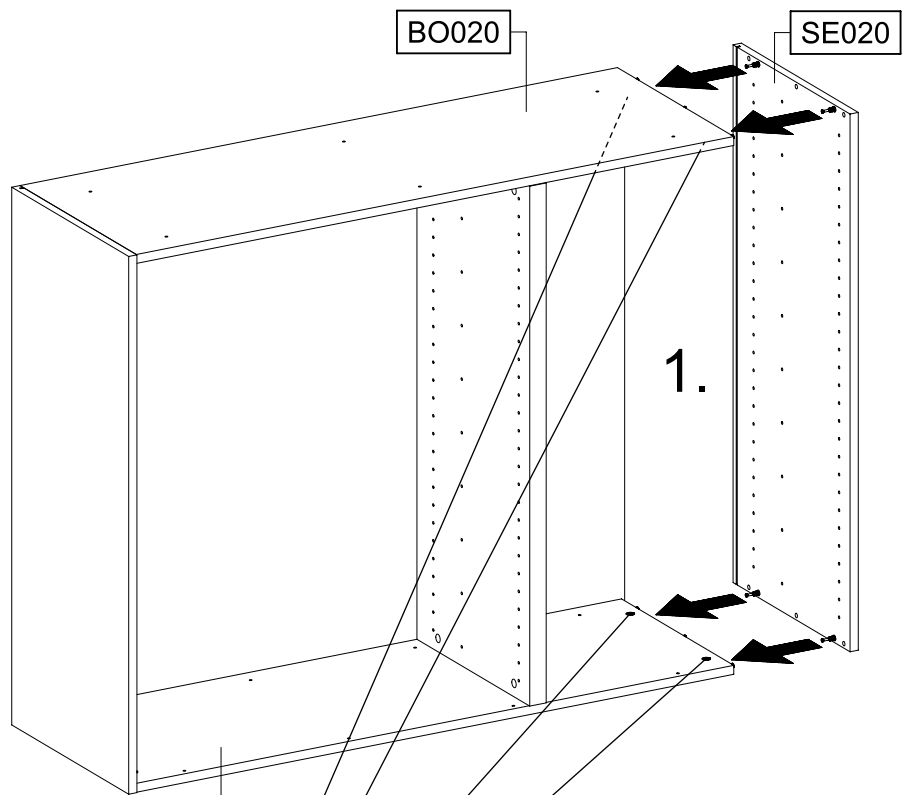
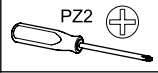
2.



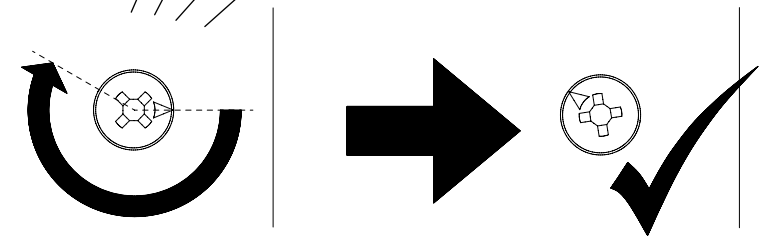
21



22



2.

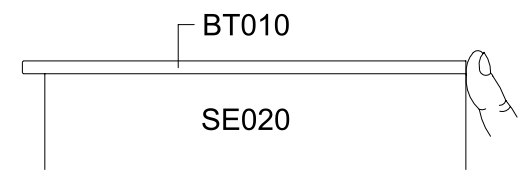
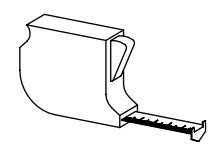
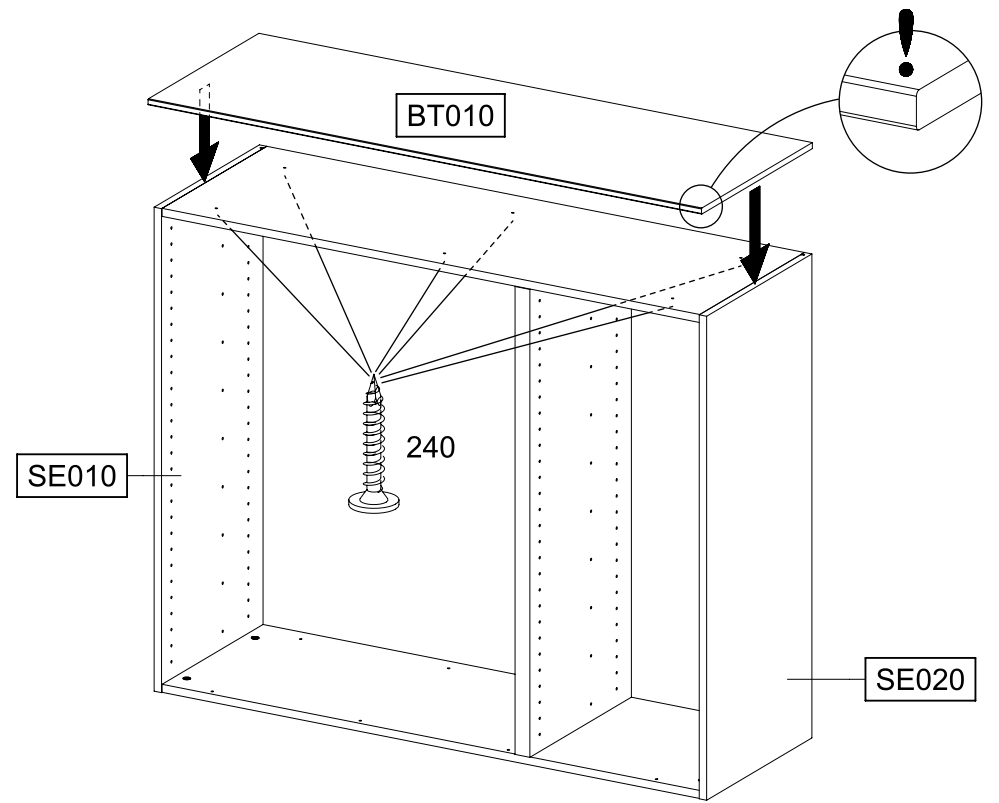
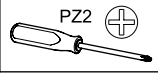
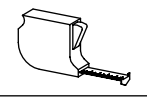
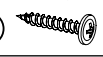


23

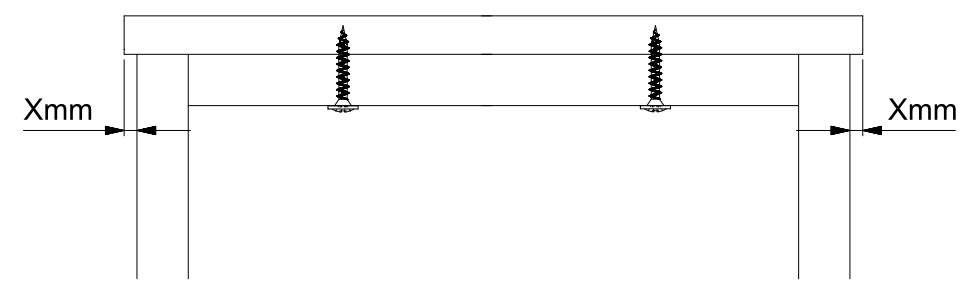
6x

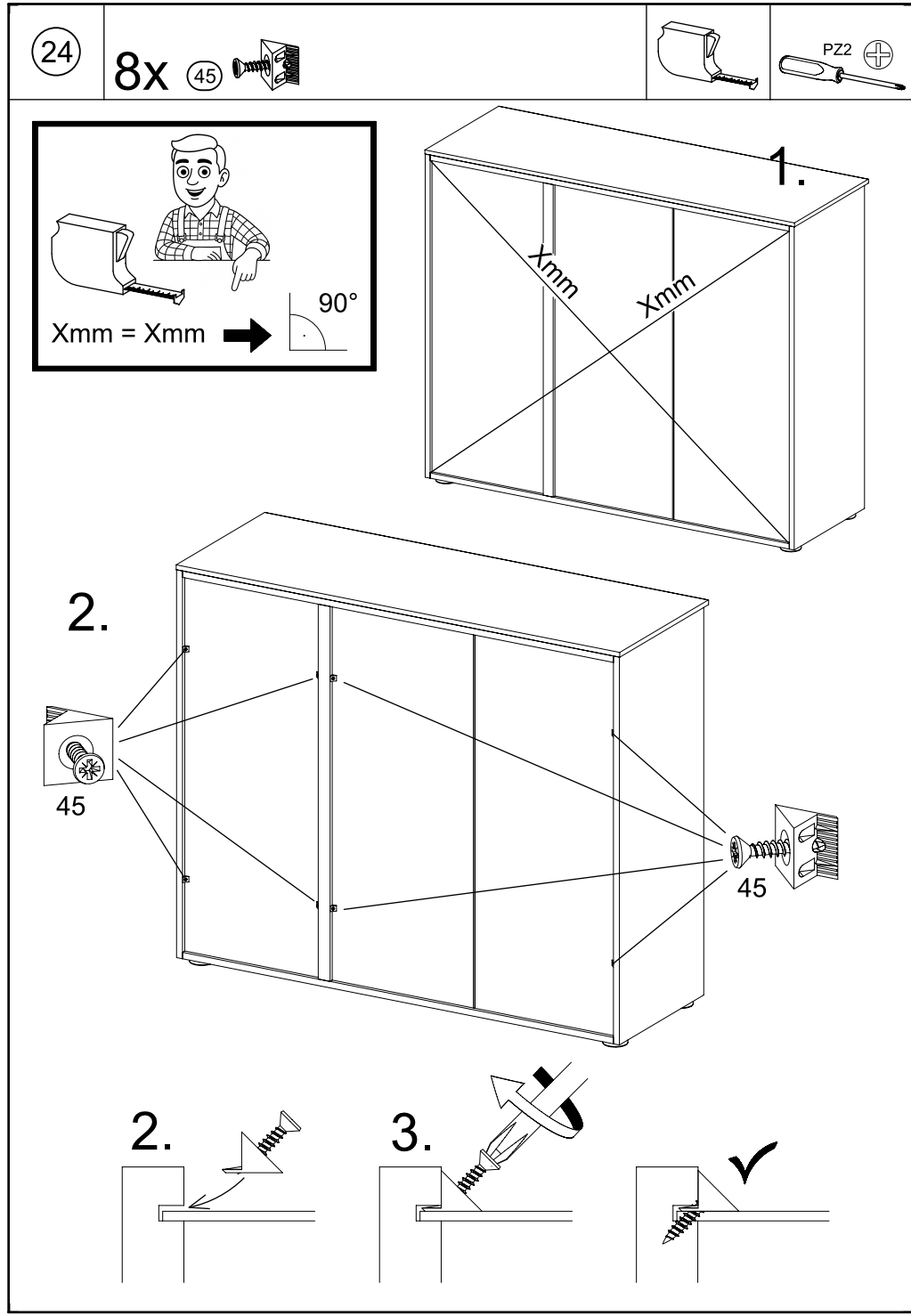
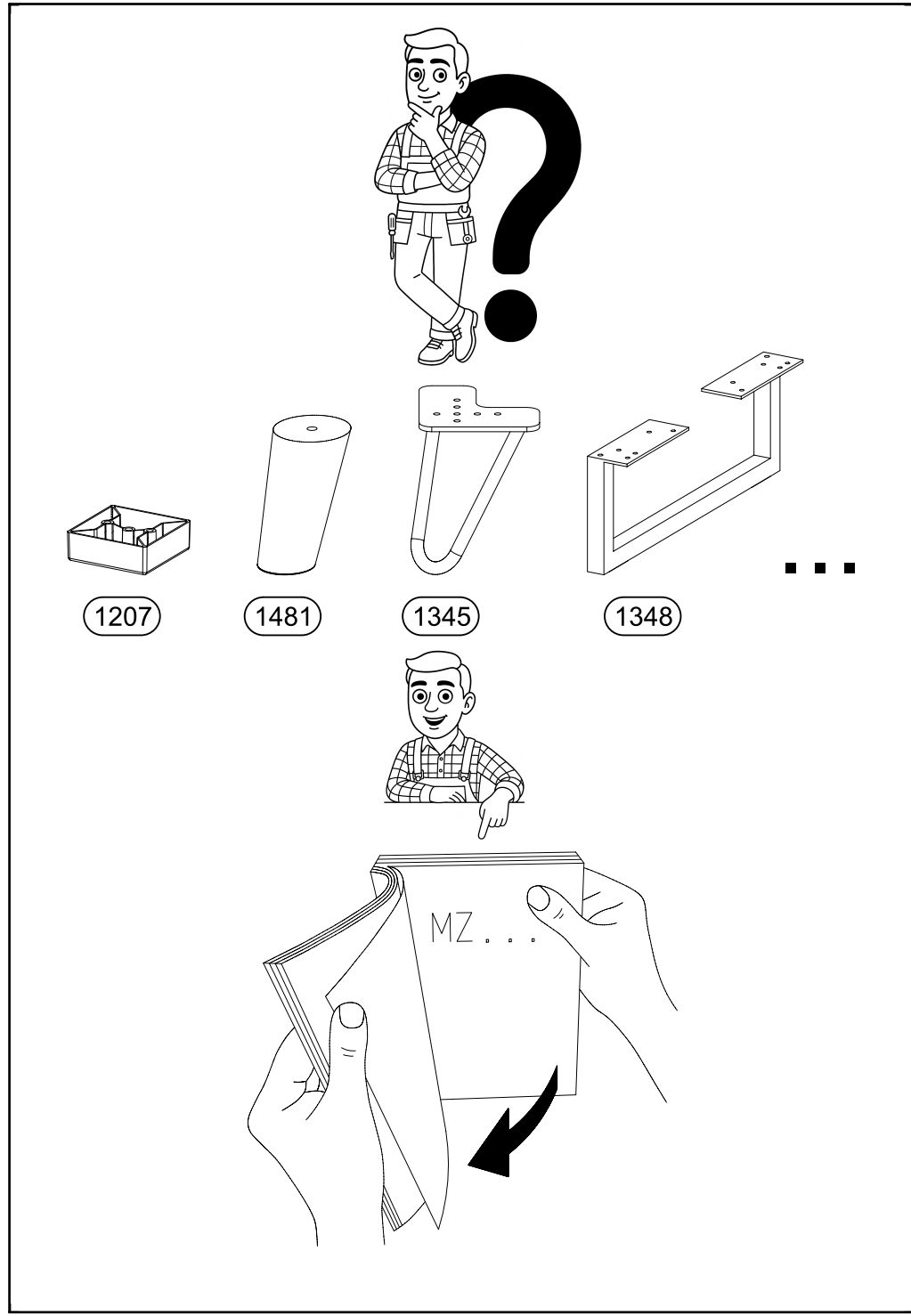
240

4x25



Xmm=Xmm





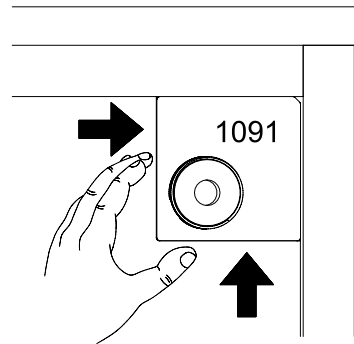
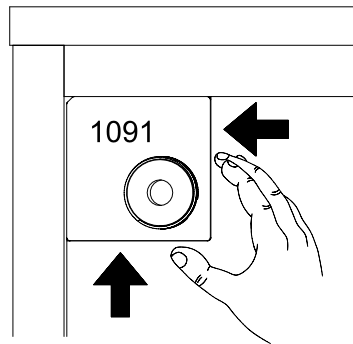
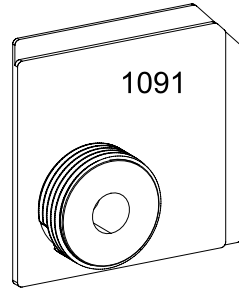
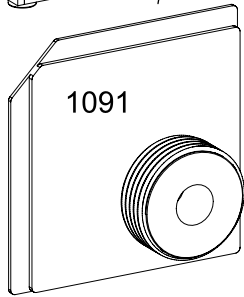
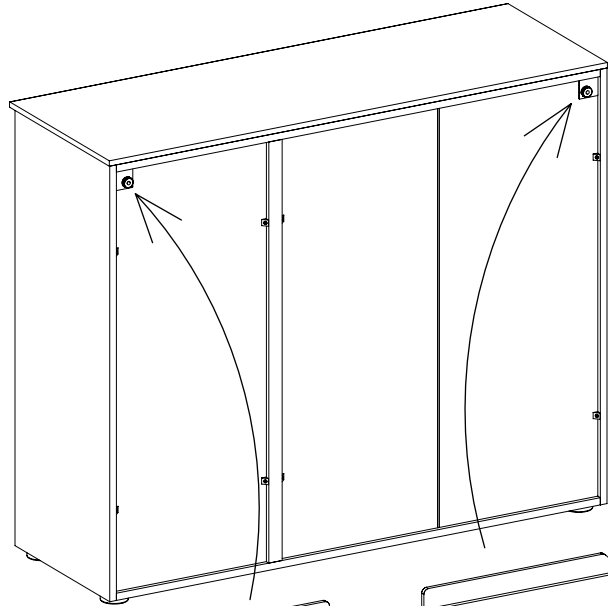
25

2x

1091



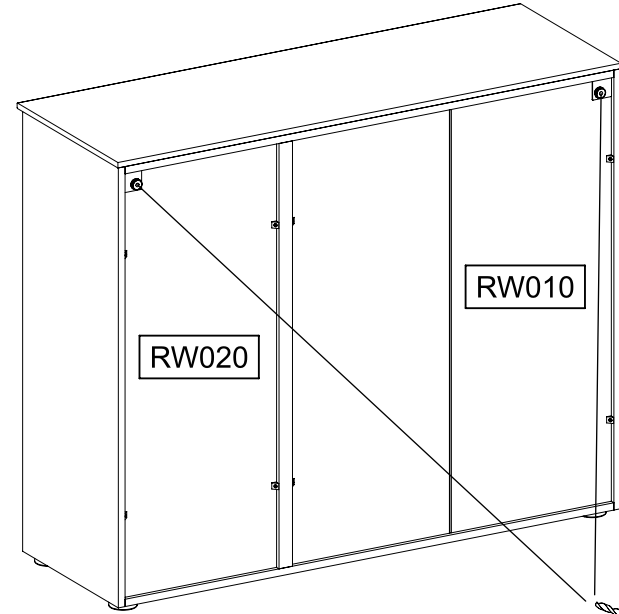
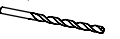
SCAN ME



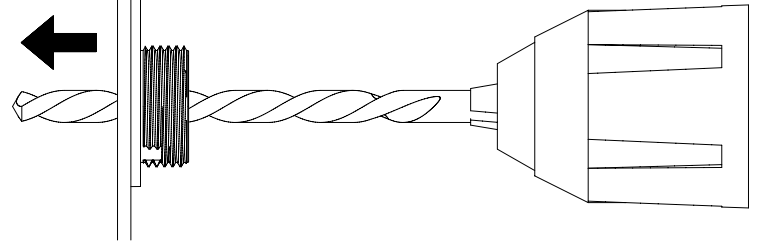
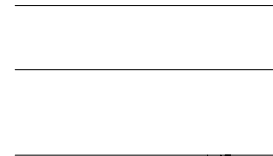
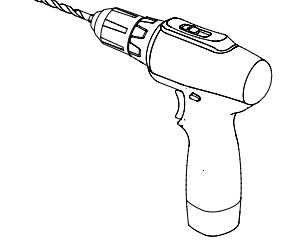
26

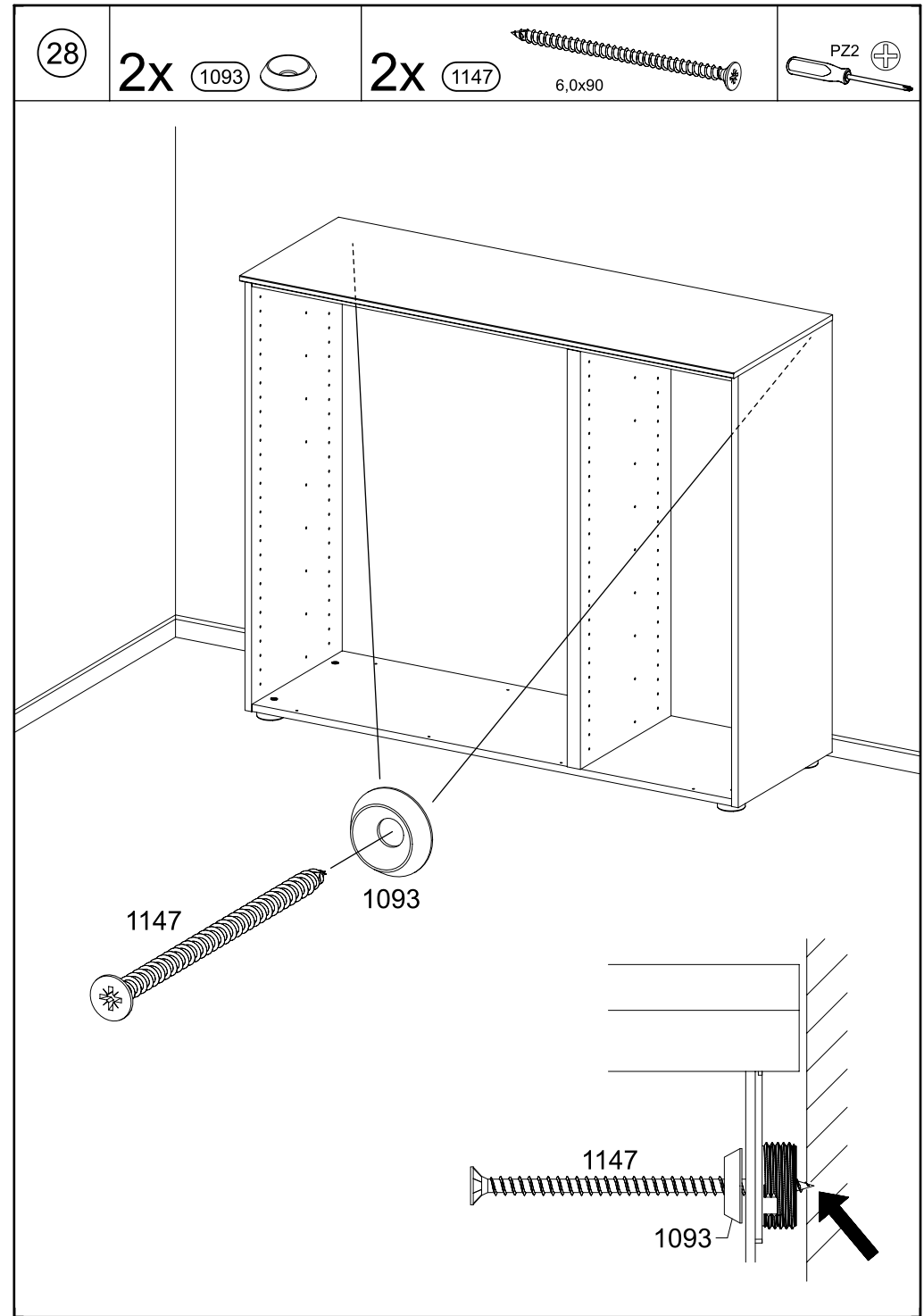
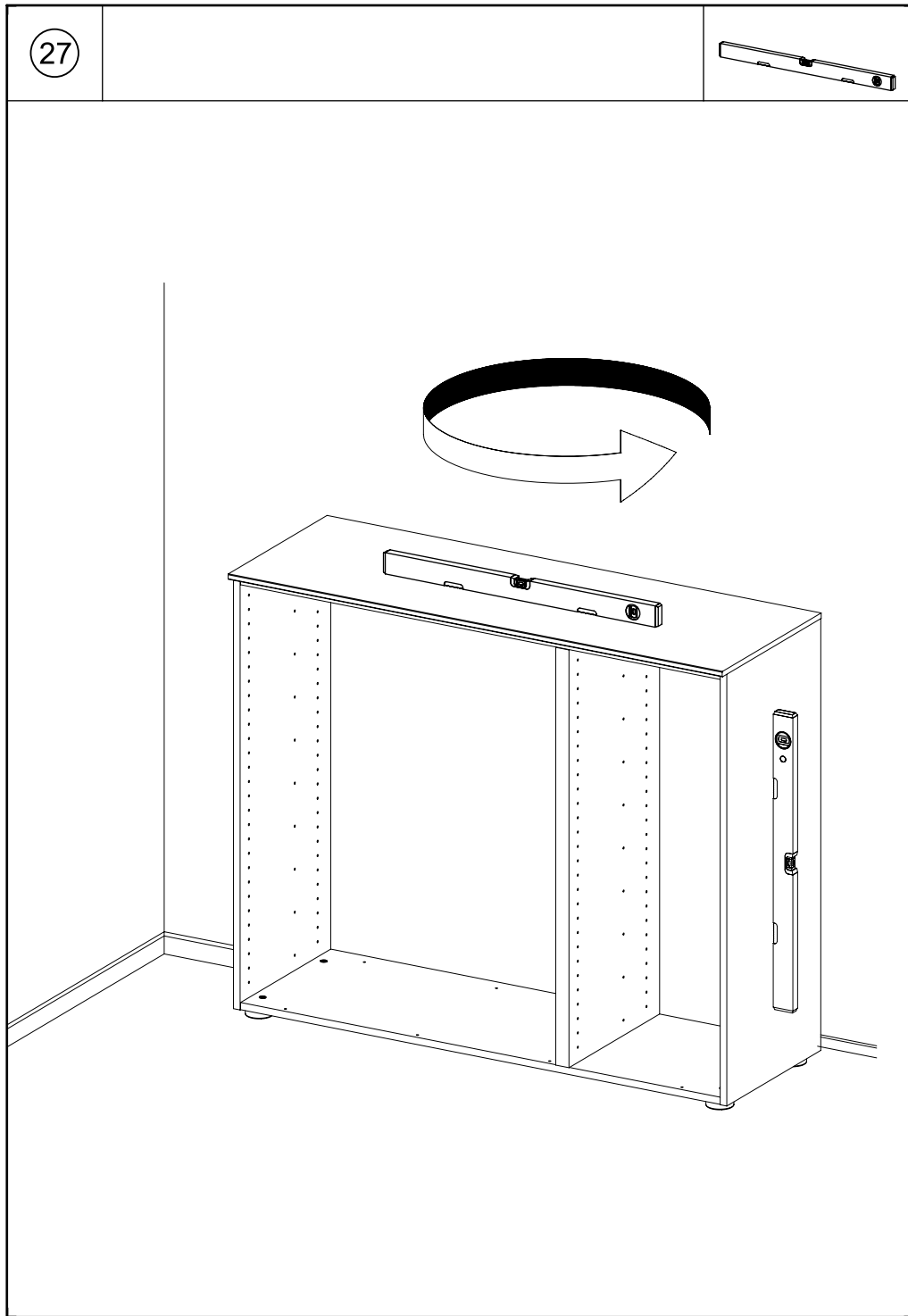


Ø6mm



Ø 6mm

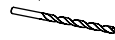




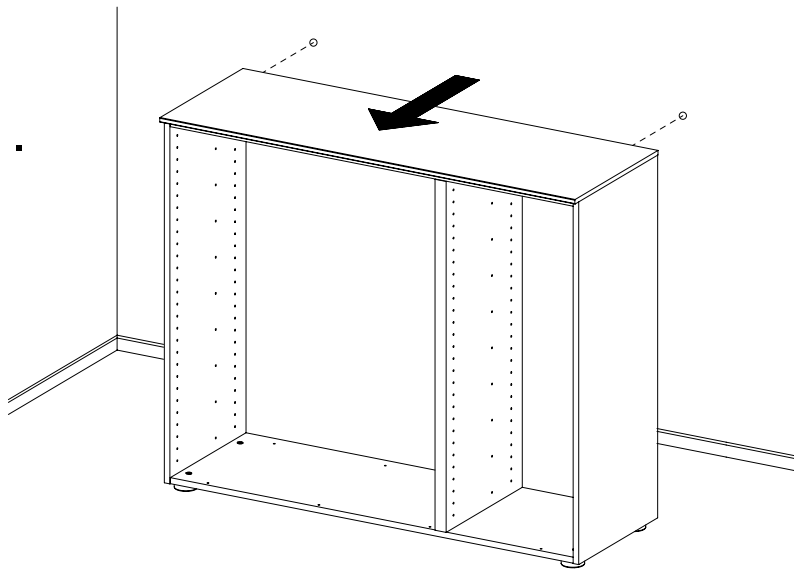
29



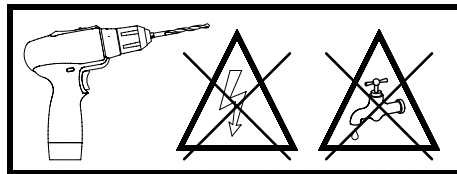
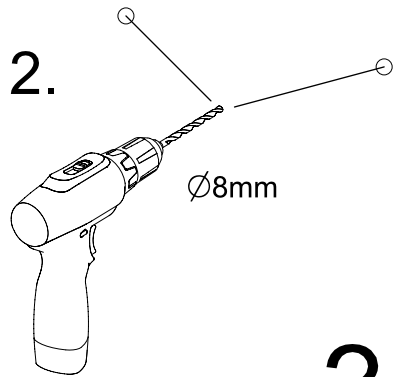
Ø8mm



1.

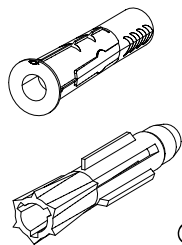
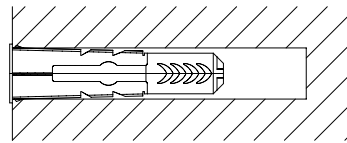


2.



?

3.

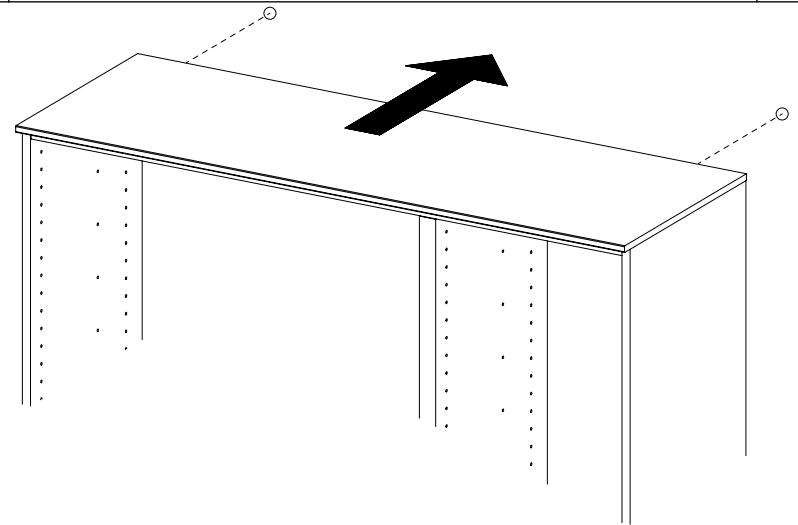
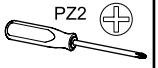
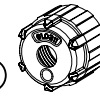


Ø8mm

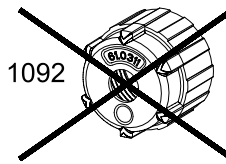
30

2x

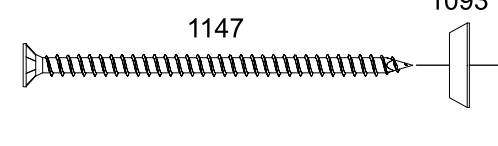
1092



1092



2.

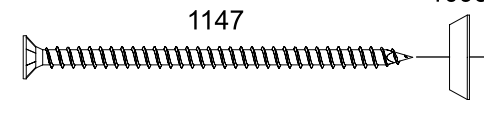


1147

1093



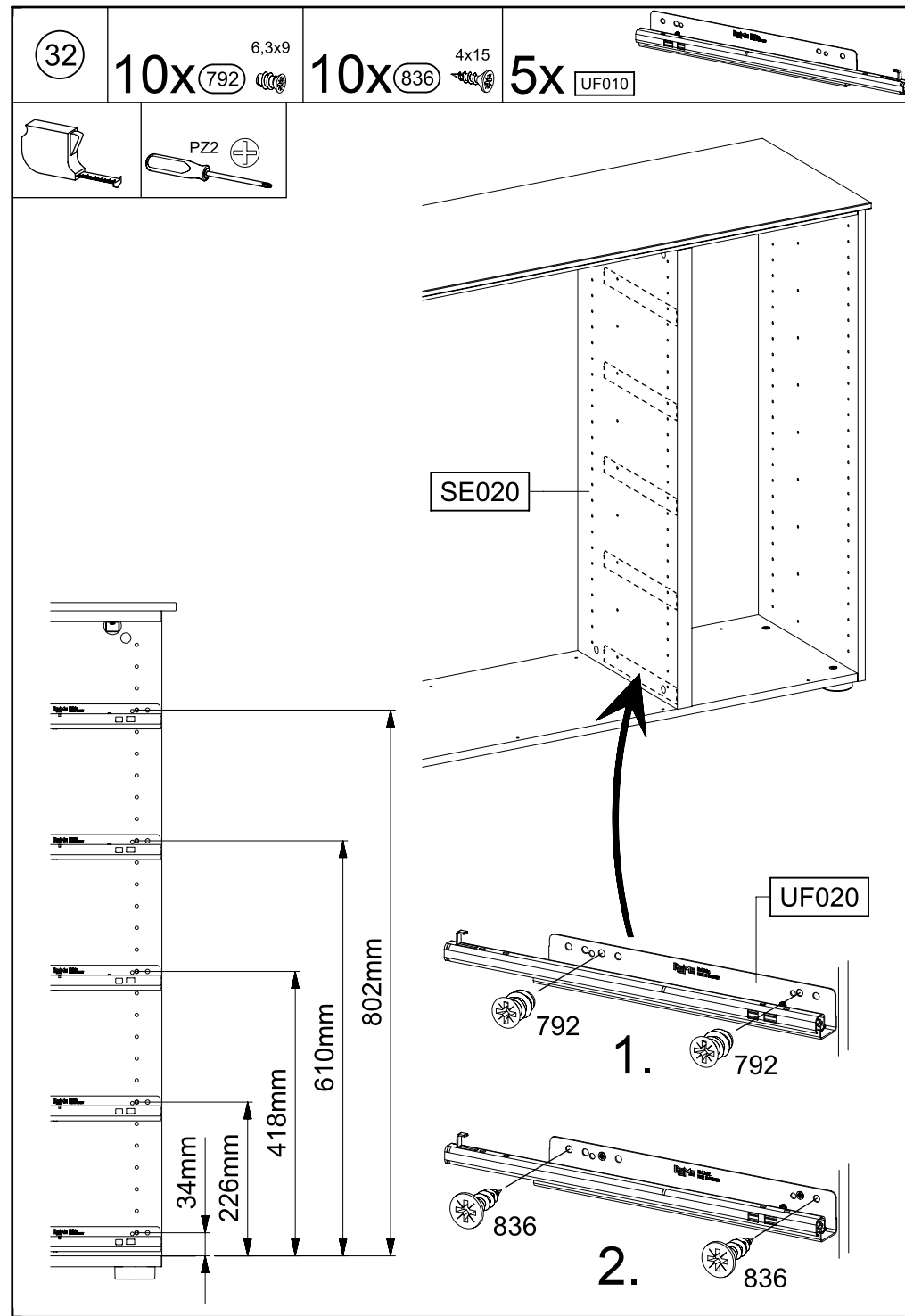
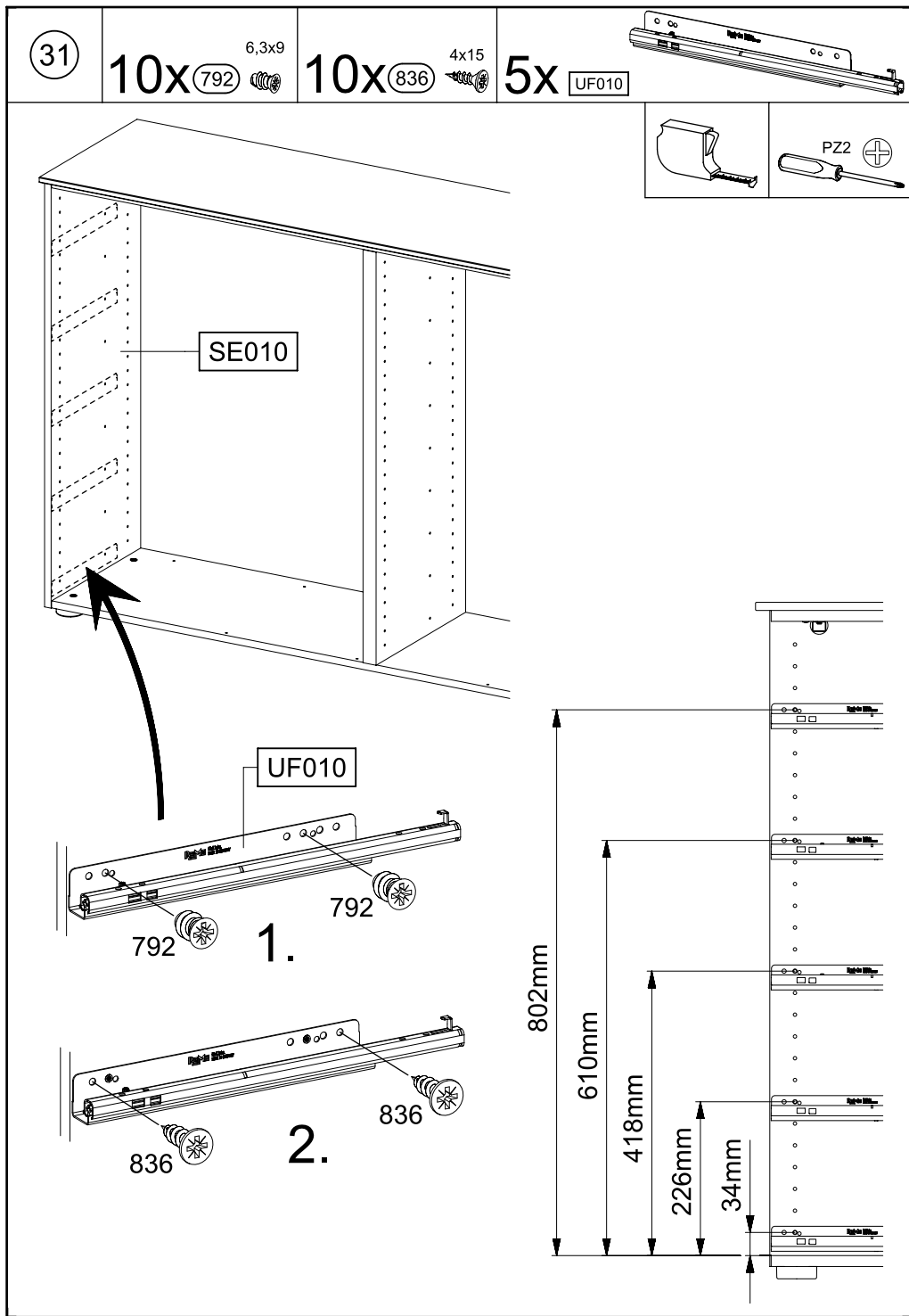
2.



1147

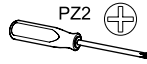
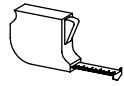
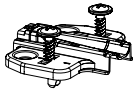
1093

10-15mm



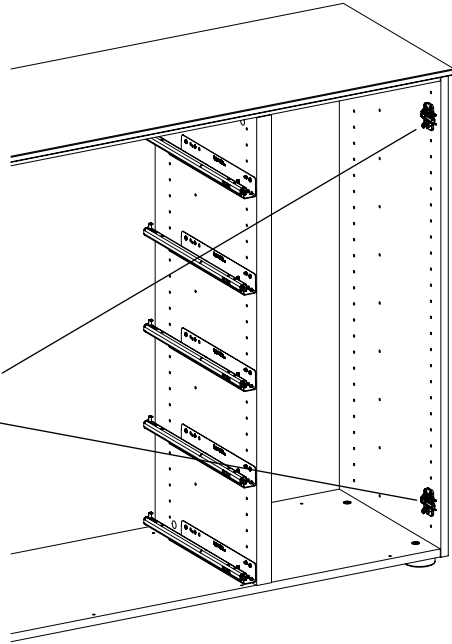
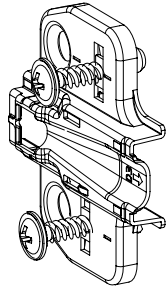
33

2x 1415

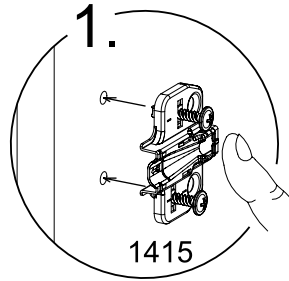


SCAN ME

1415

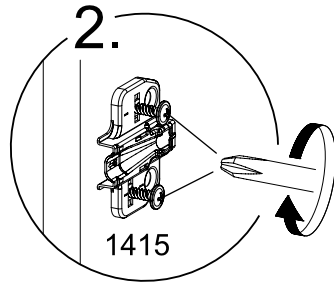


1.

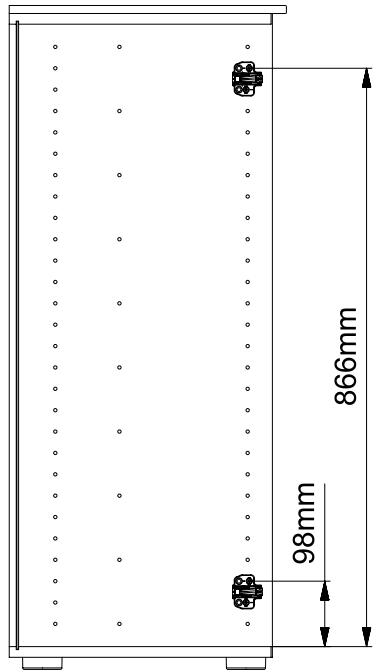


1415

2.



1415



34

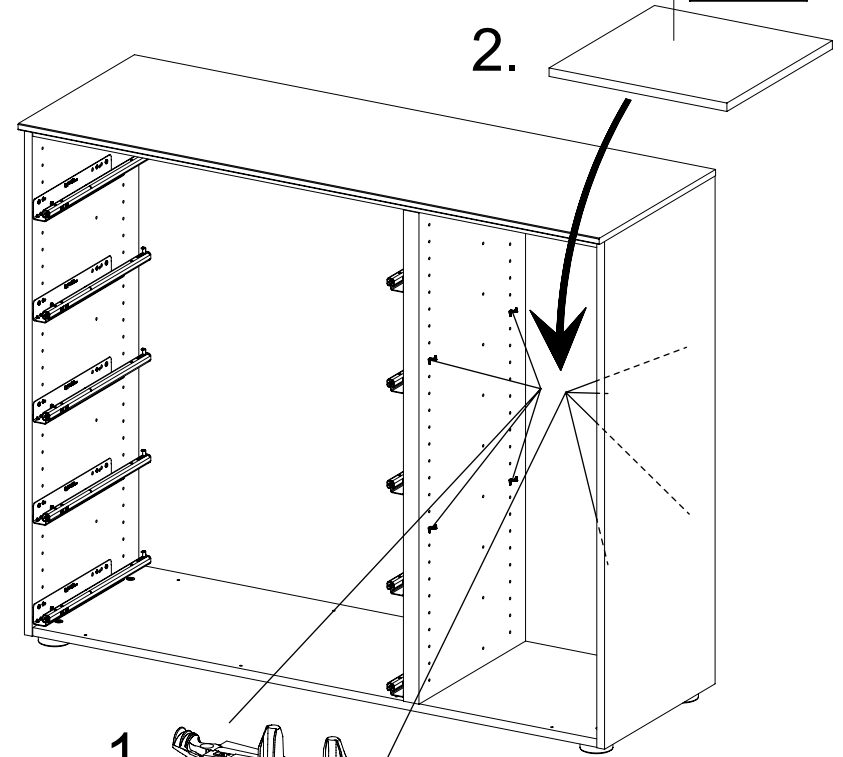
8x 1089



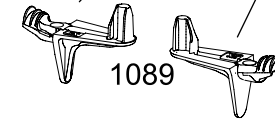
2x

WA010

2.



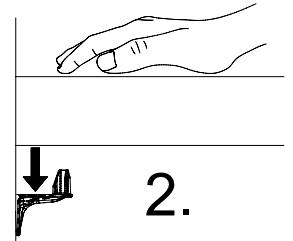
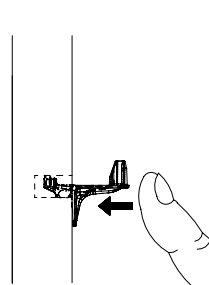
1.



1089



1.

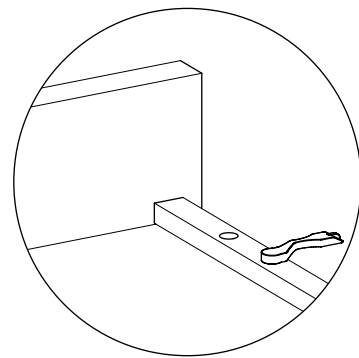
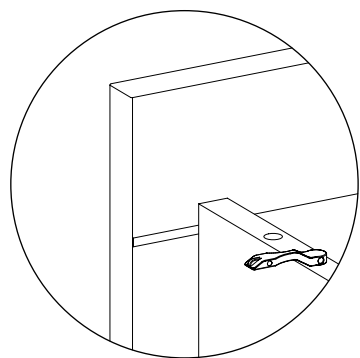
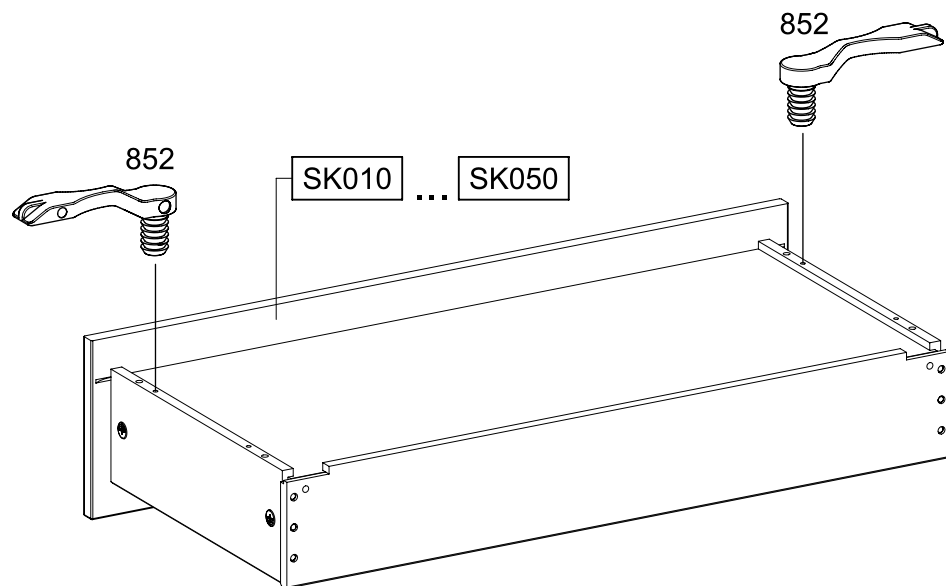
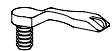


2.

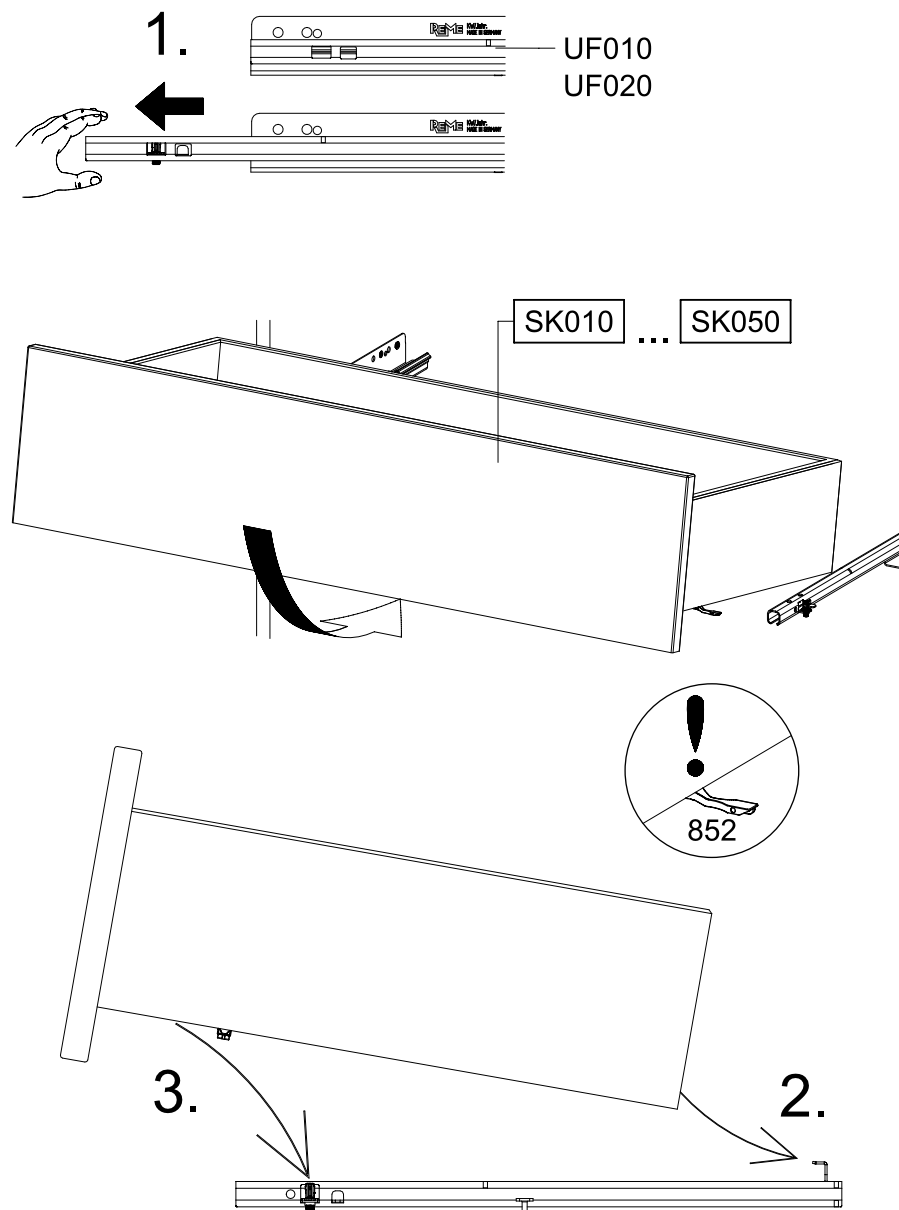
35

10x

852

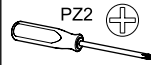
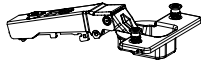


36

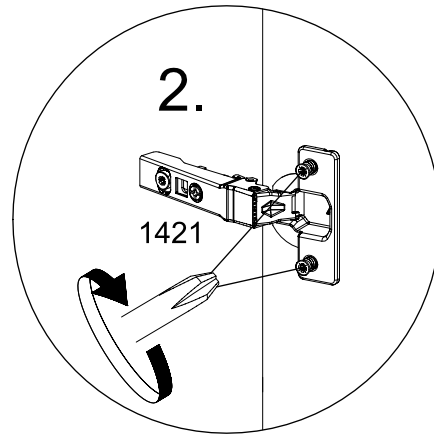
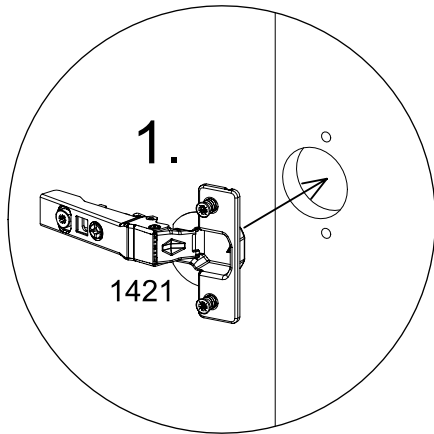
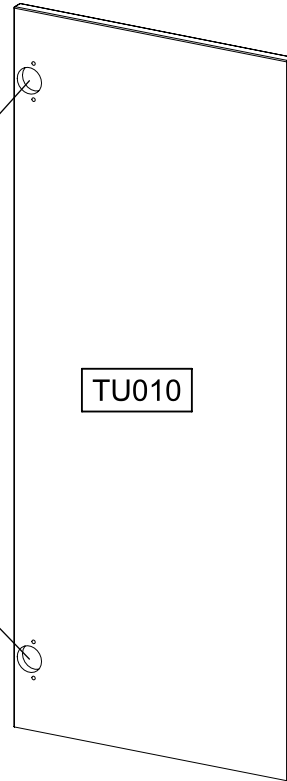
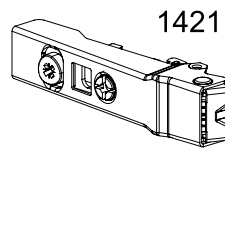


37

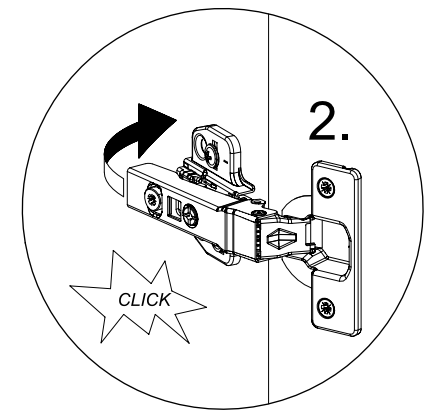
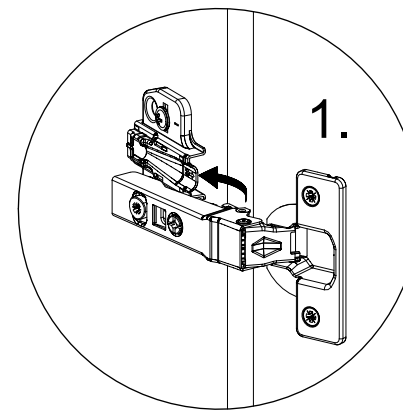
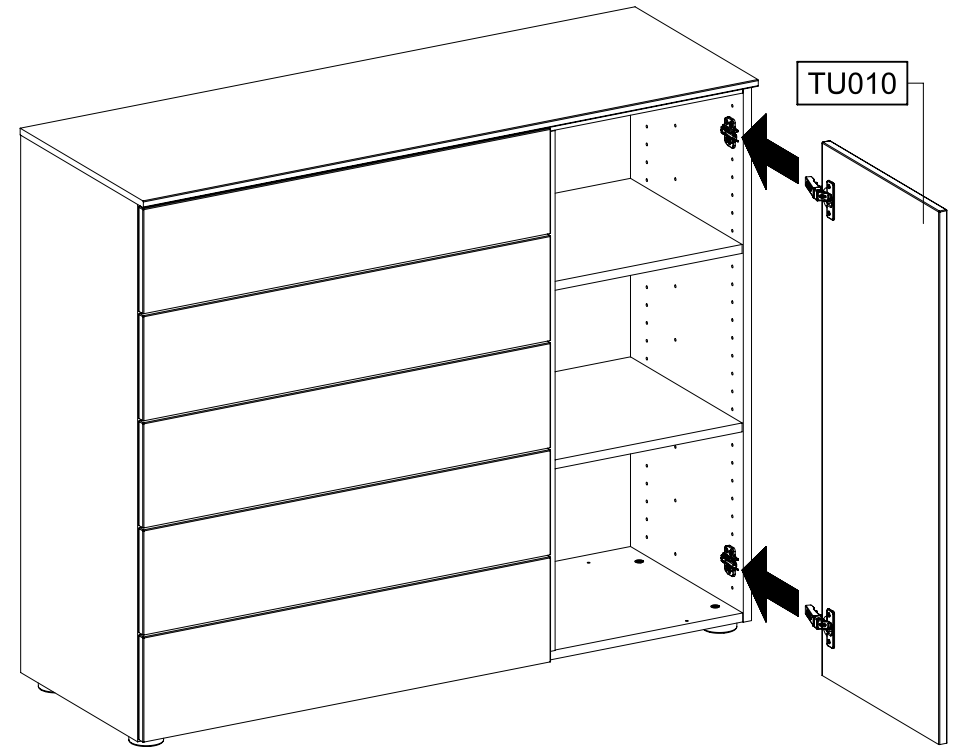
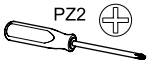
2x 1421



SCAN ME



38



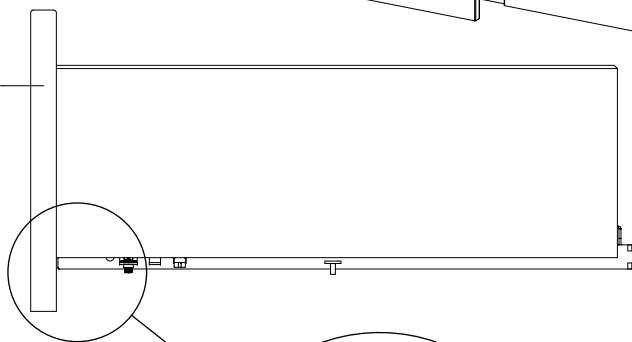
39



SCAN ME

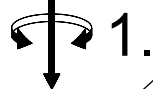
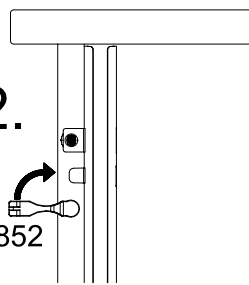


SK010
SK020
SK030
SK040



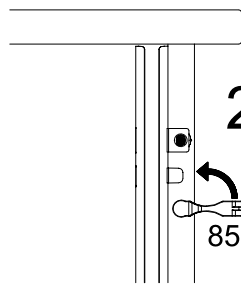
2.

852



2.

852



40



SCAN ME

