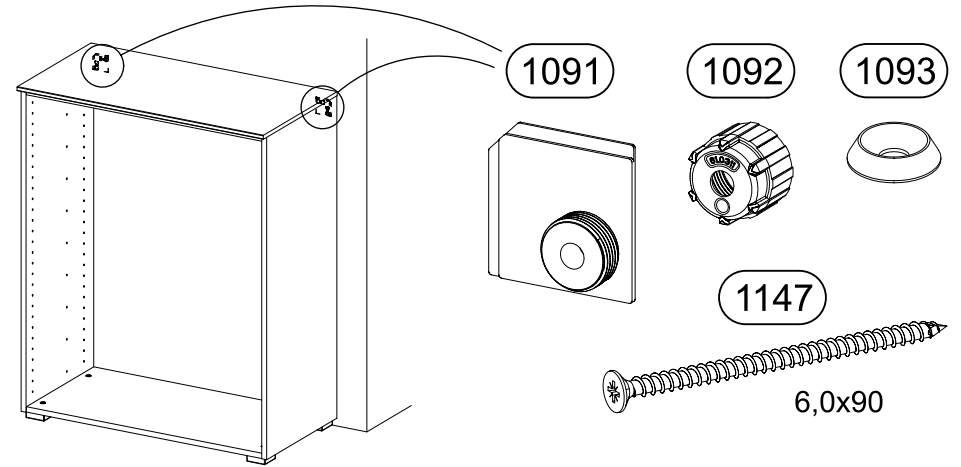
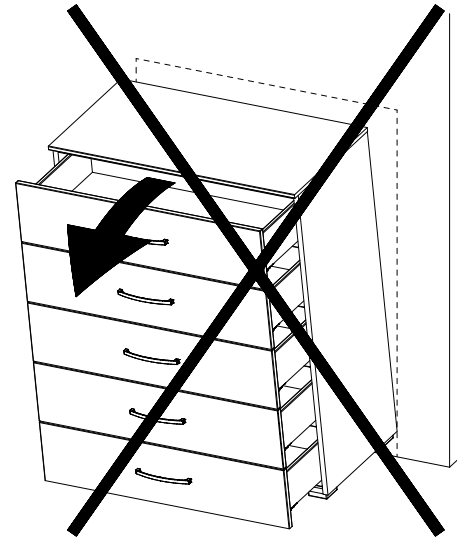
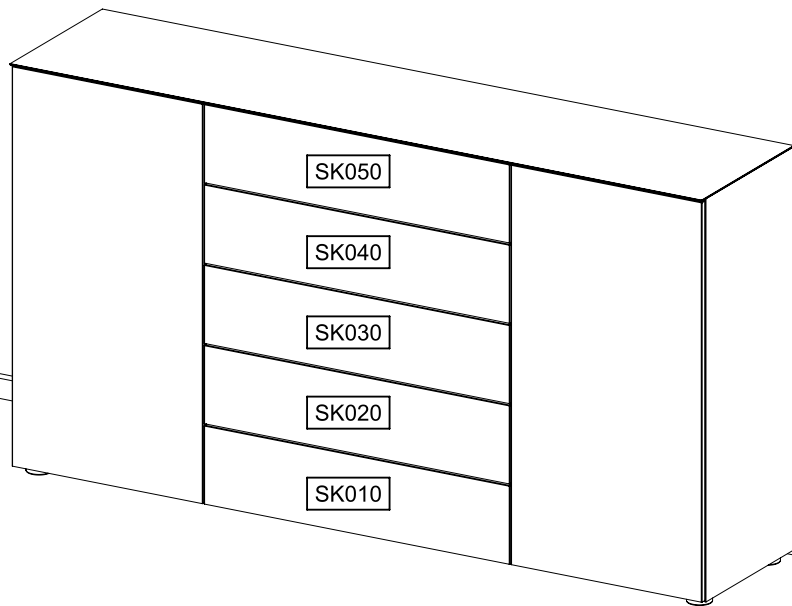
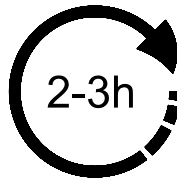
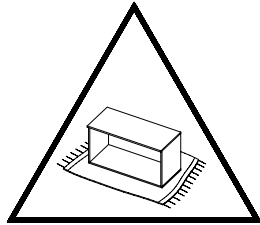
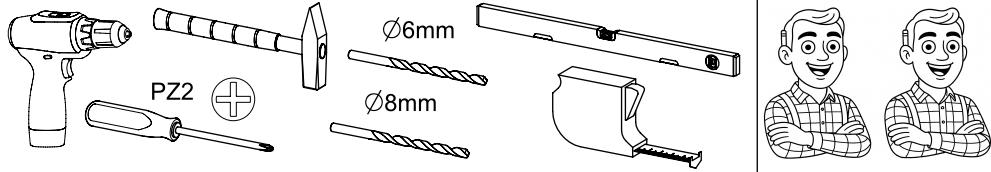


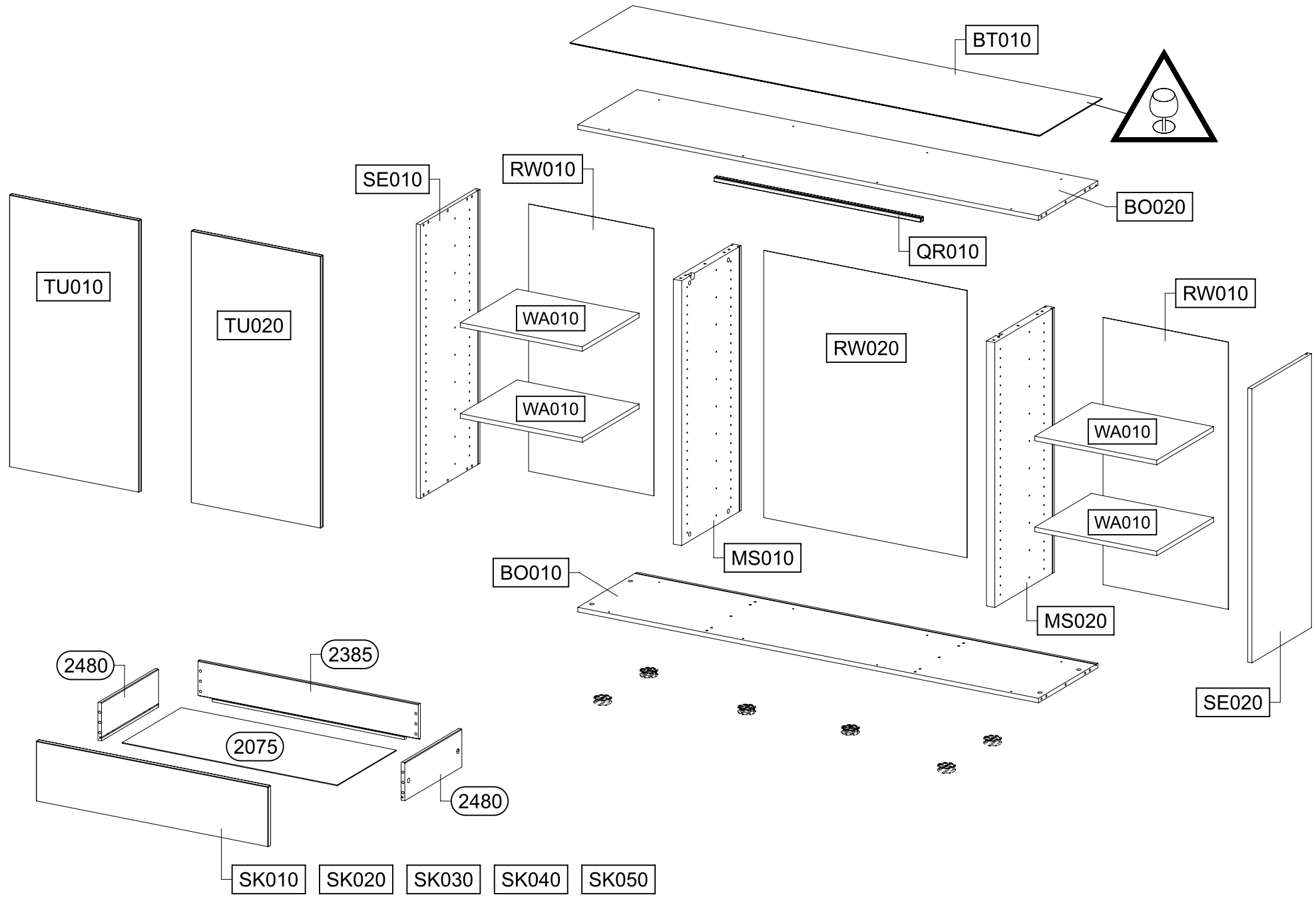
M3170_02


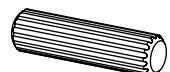

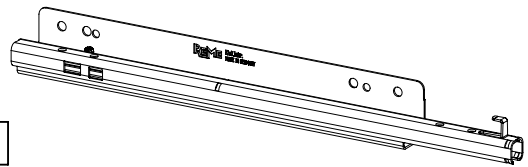
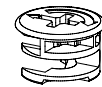
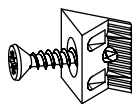
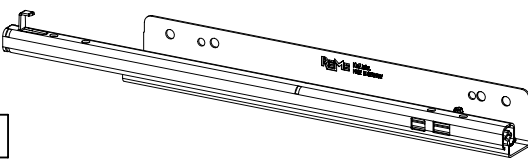
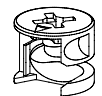
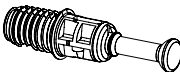

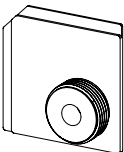
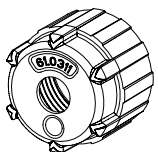

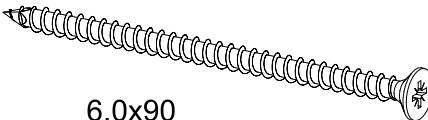
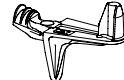
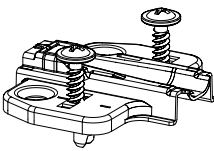
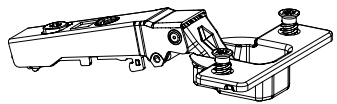
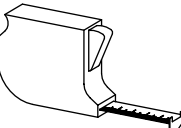
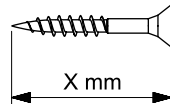
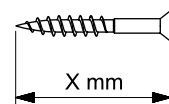
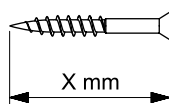


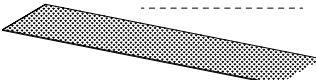
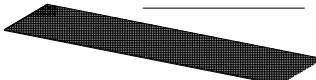

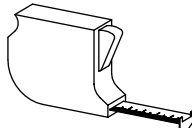
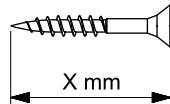
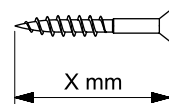
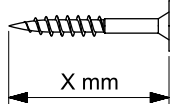
VIDEO

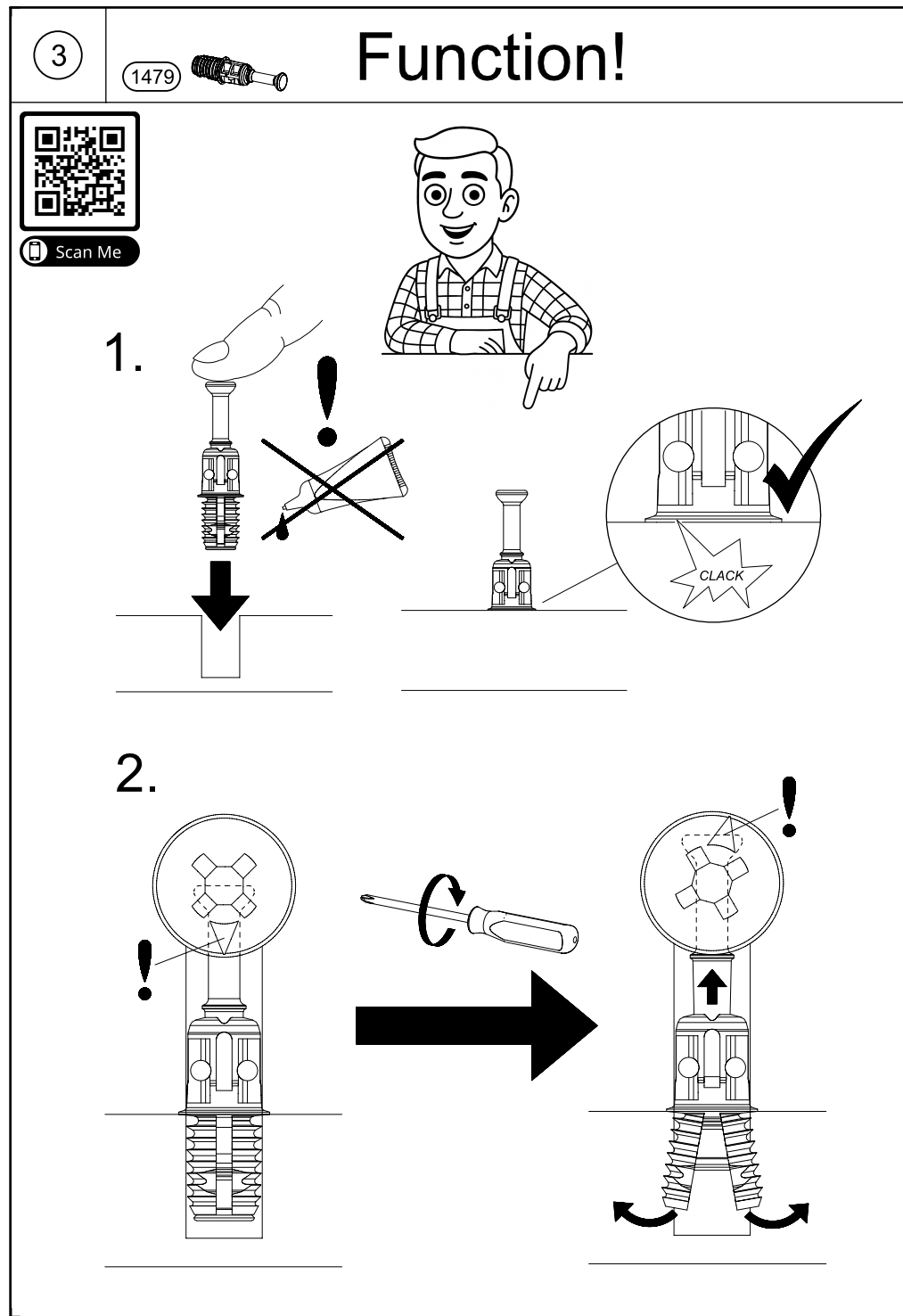
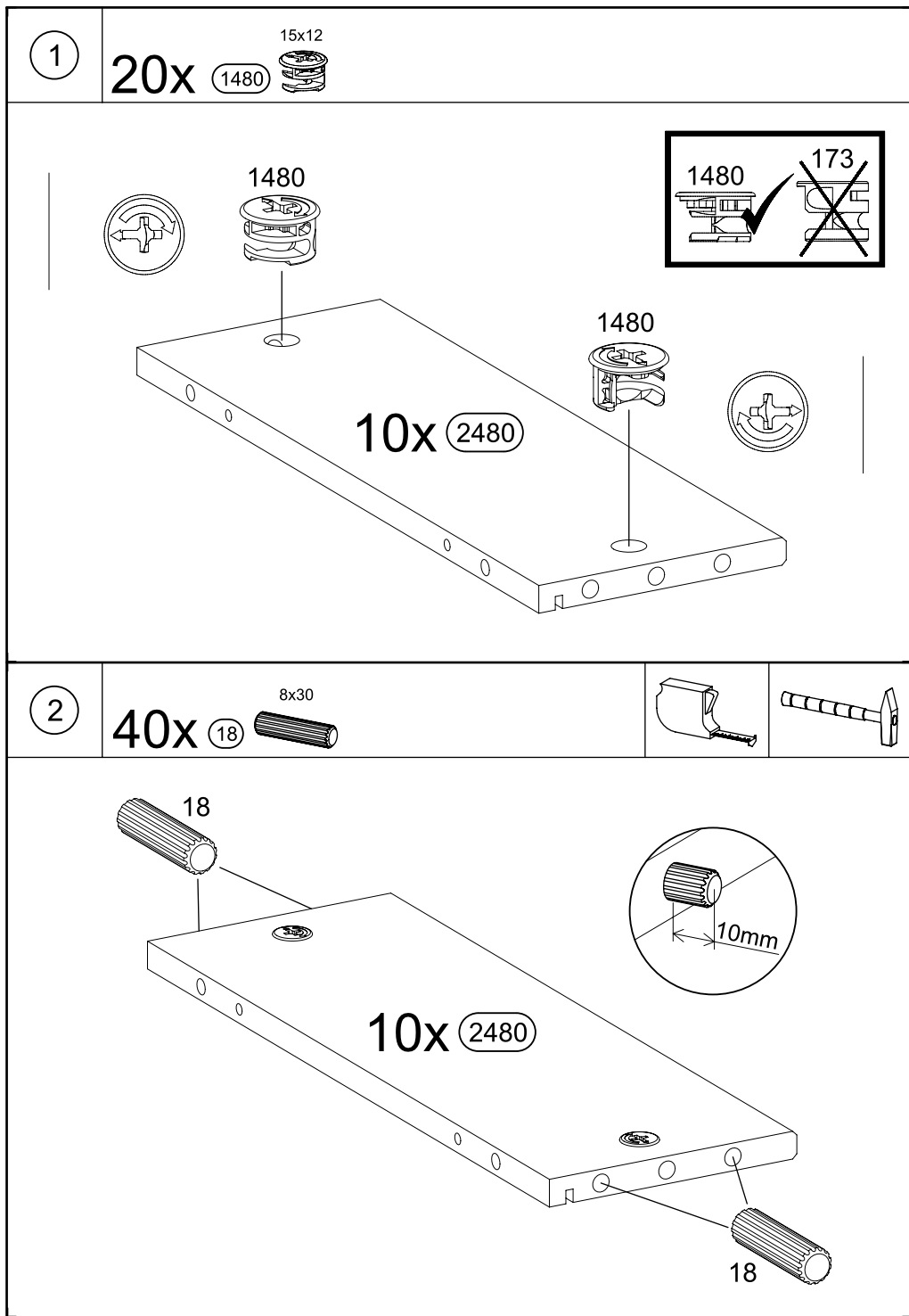


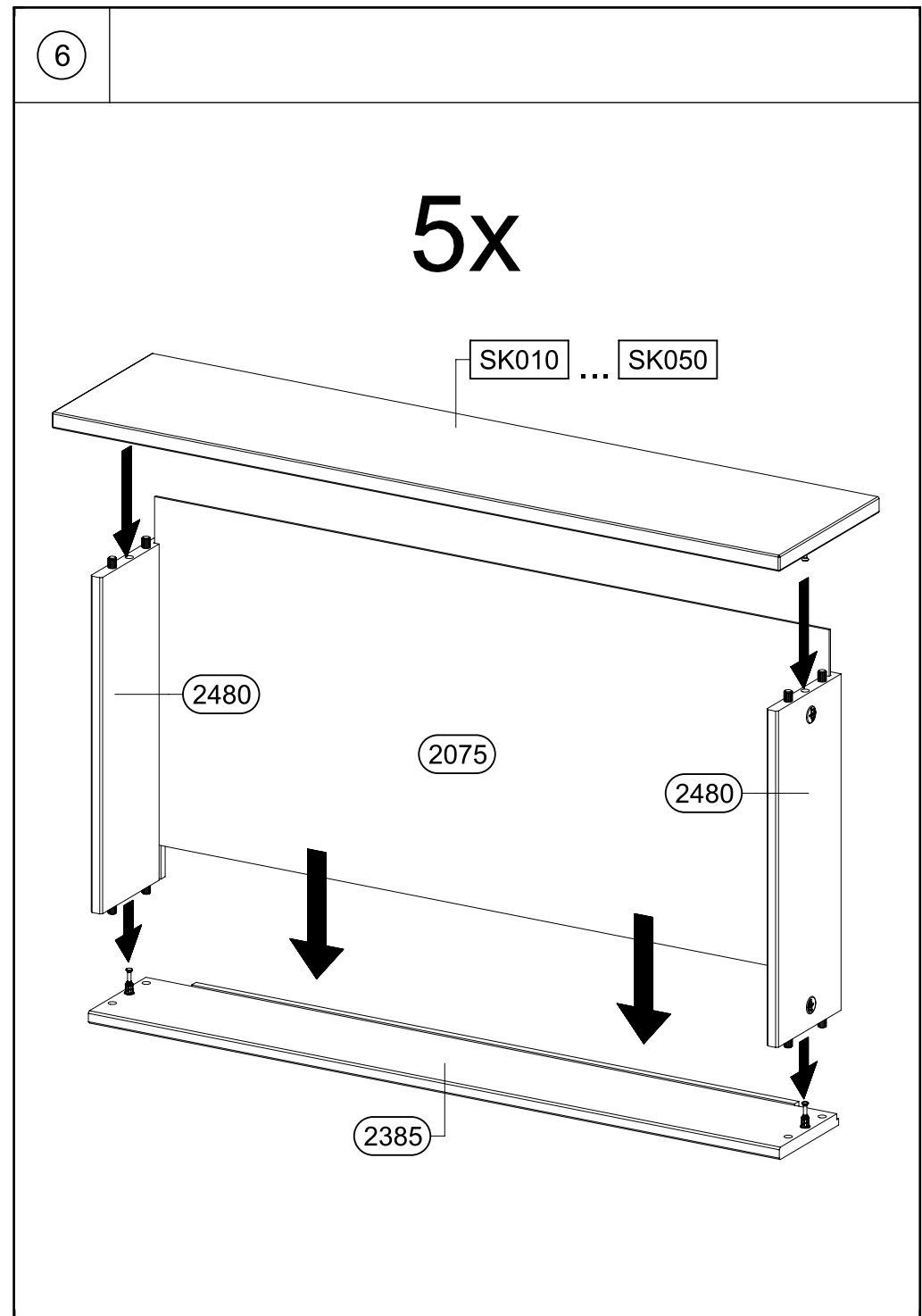
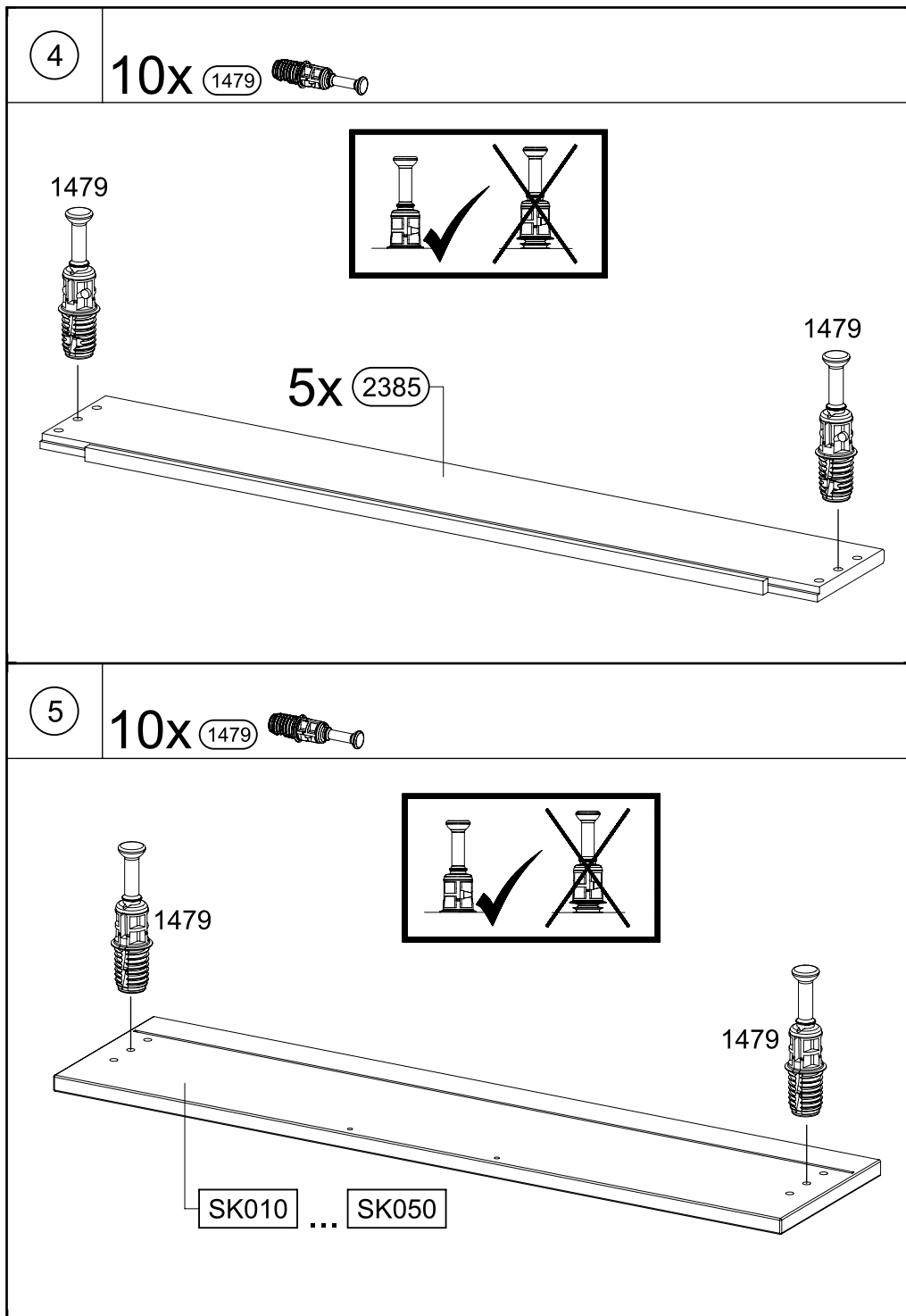
SCAN ME

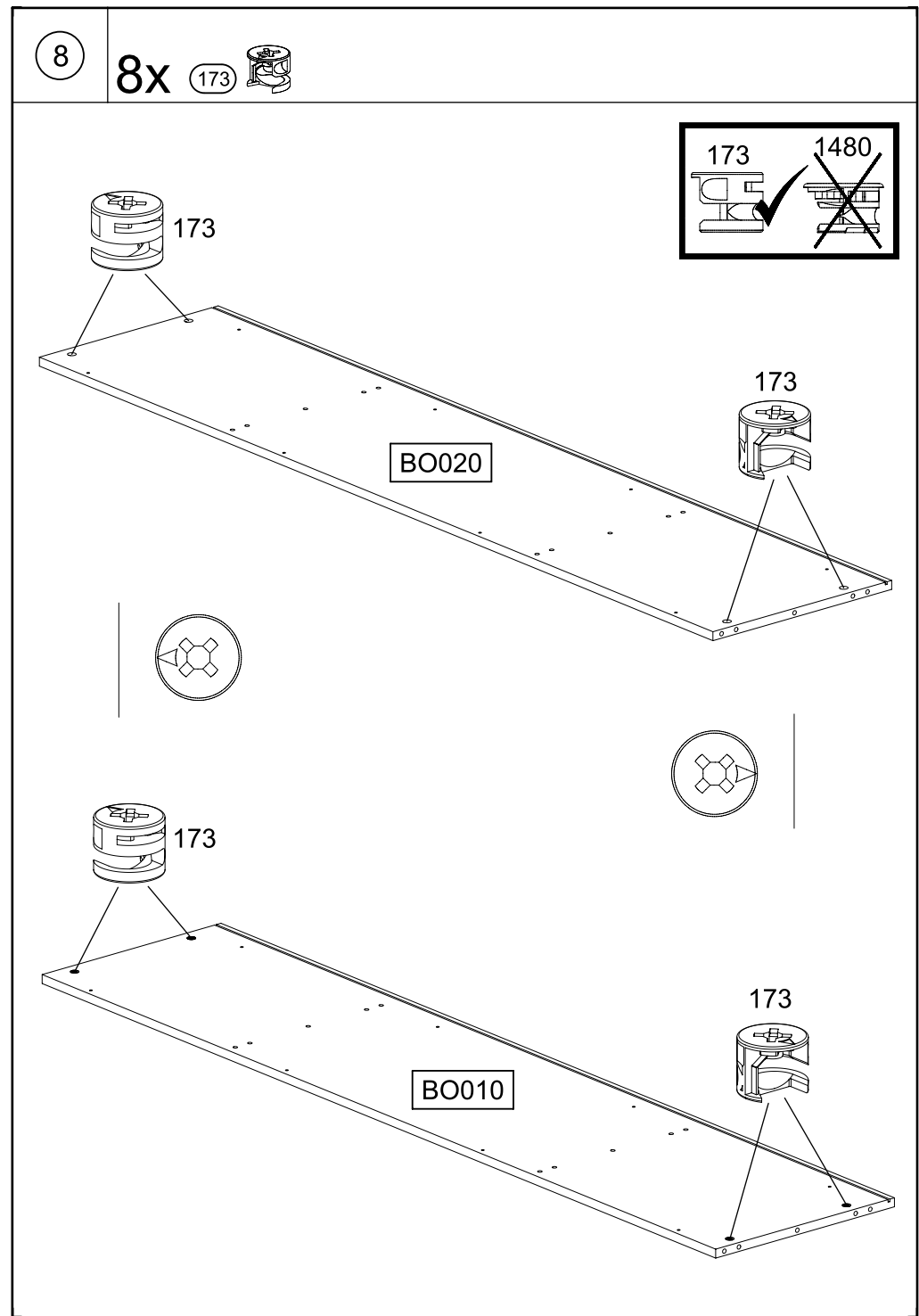
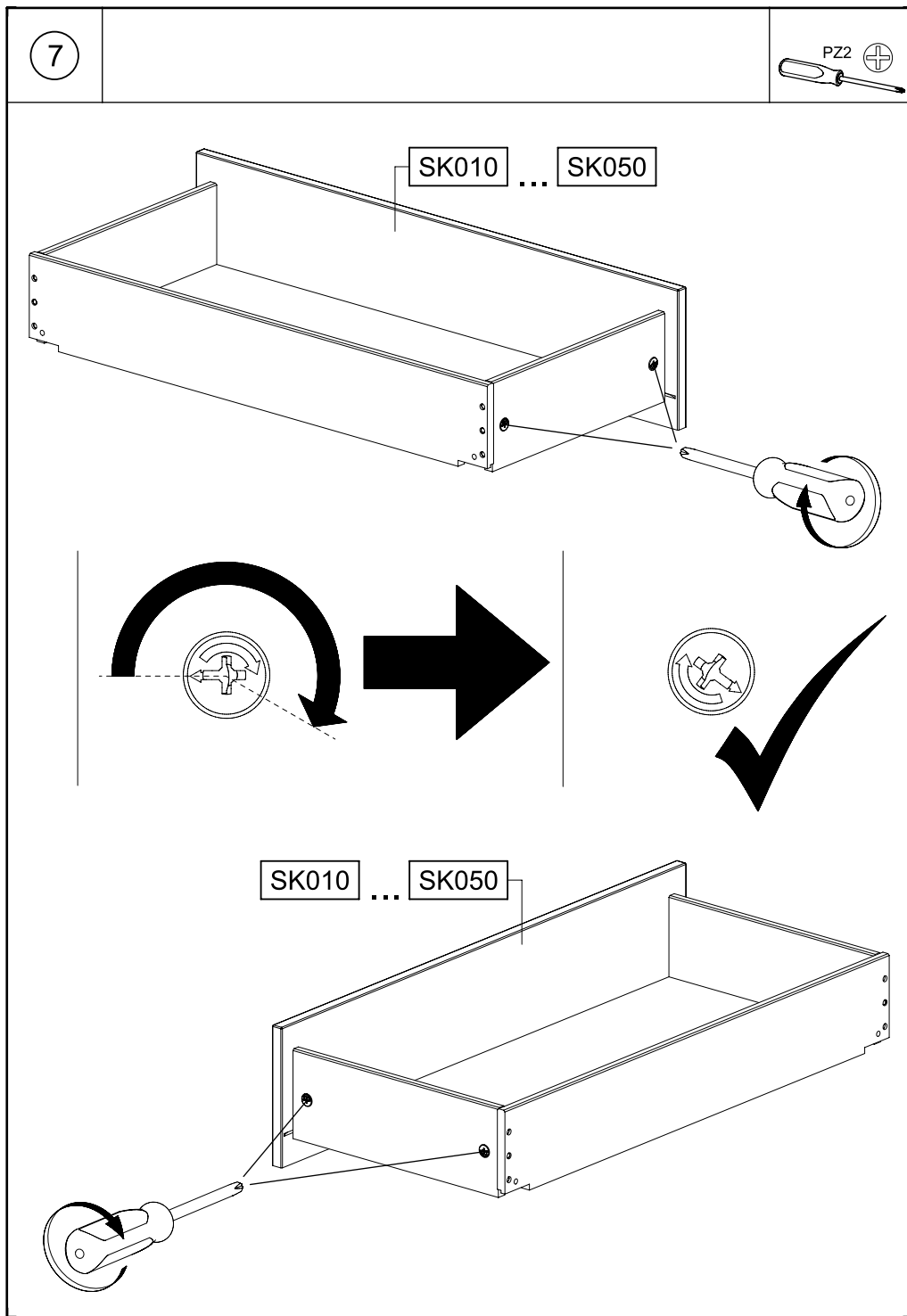


20x 4x15 836 	64x 8x30 18 	20x 6,3x9 792 
5x UF010 	20x 15x12 1480 	12x 45 
5x UF020 	16x 173 	36x 1479 
10x 852 	2x 1091 	2x 1092 
2x 1093 	2x 1147 6,0x90 	16x 1089 
4x 1415 	4x 1421 	
		
		

2x 1406 	2x 1407 
	
	
	
	



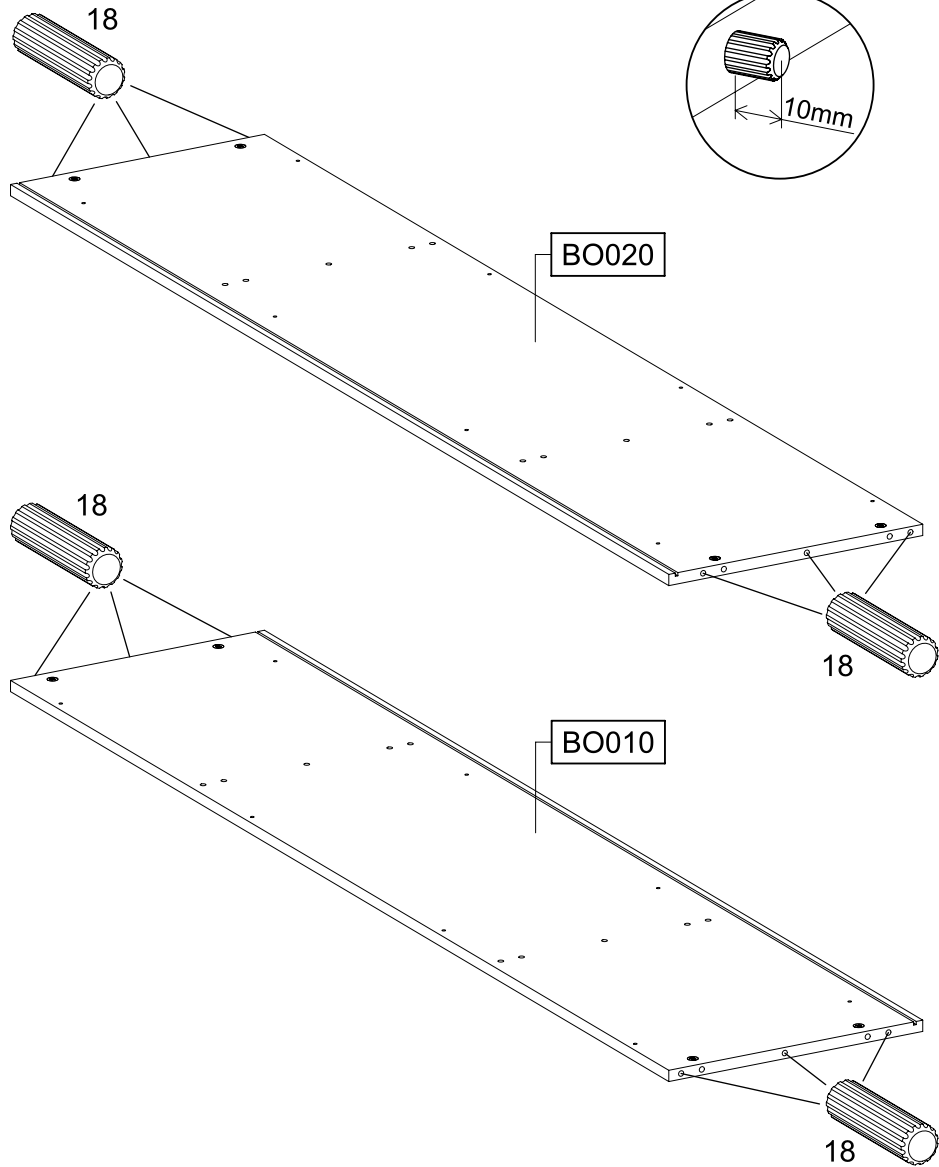
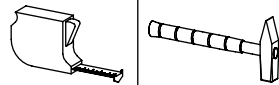




9

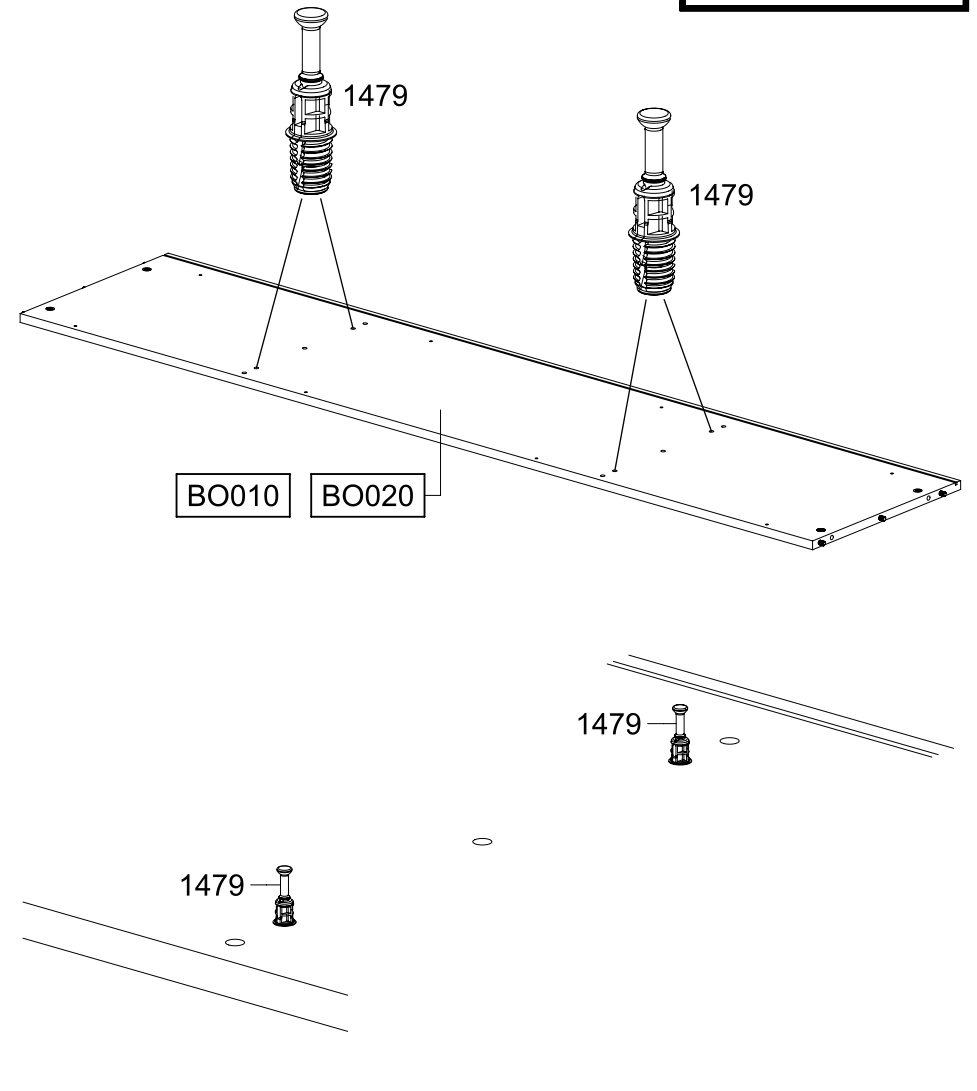
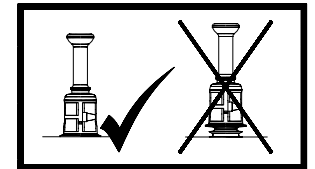
12x 18

8x30



10

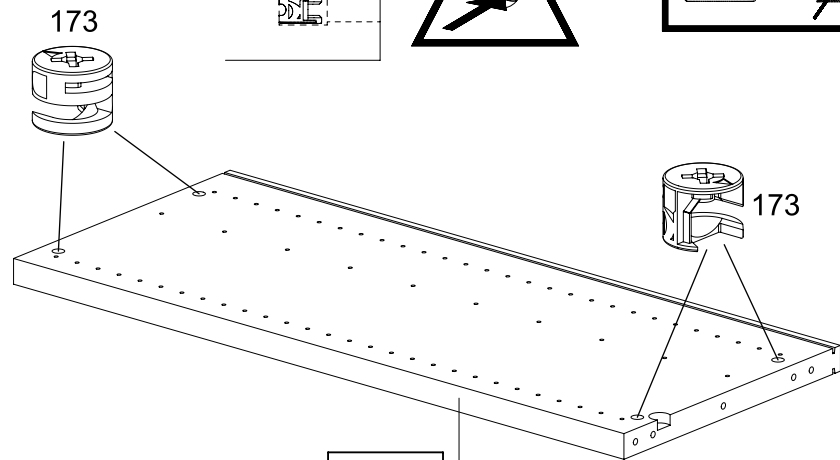
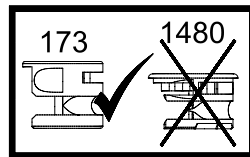
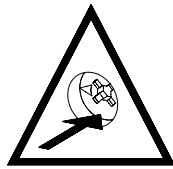
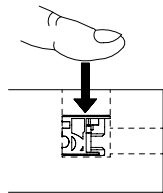
8x 1479



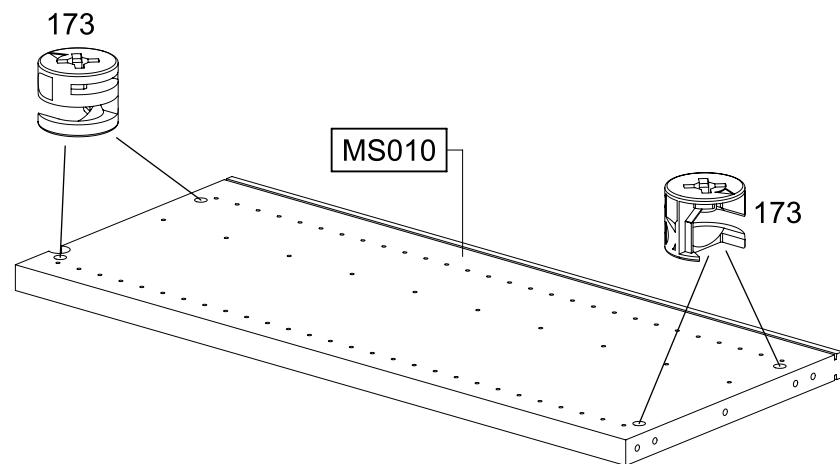
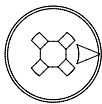
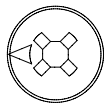
11

8x

173



MS020



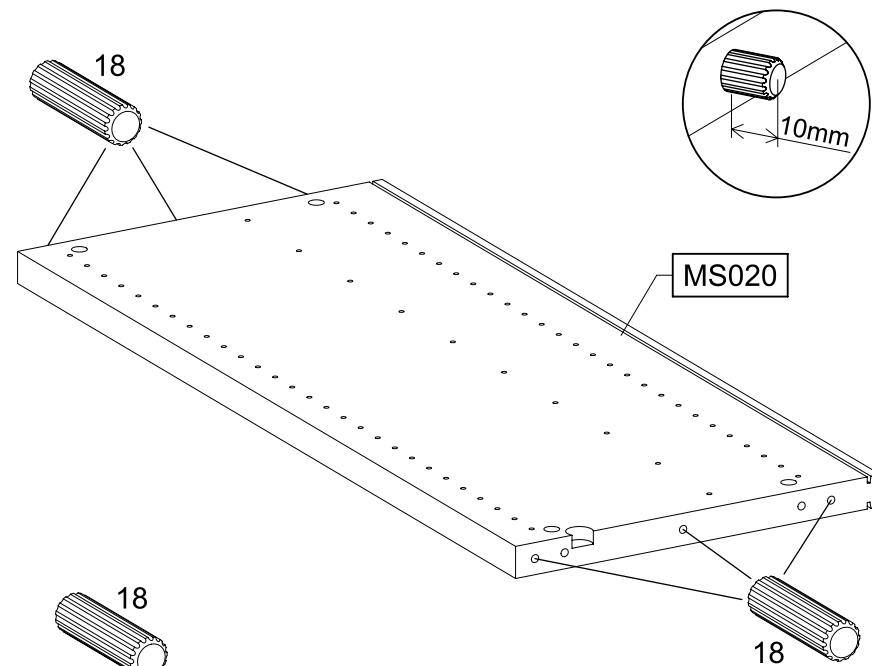
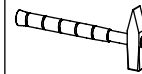
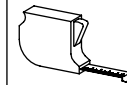
MS010

12

12x

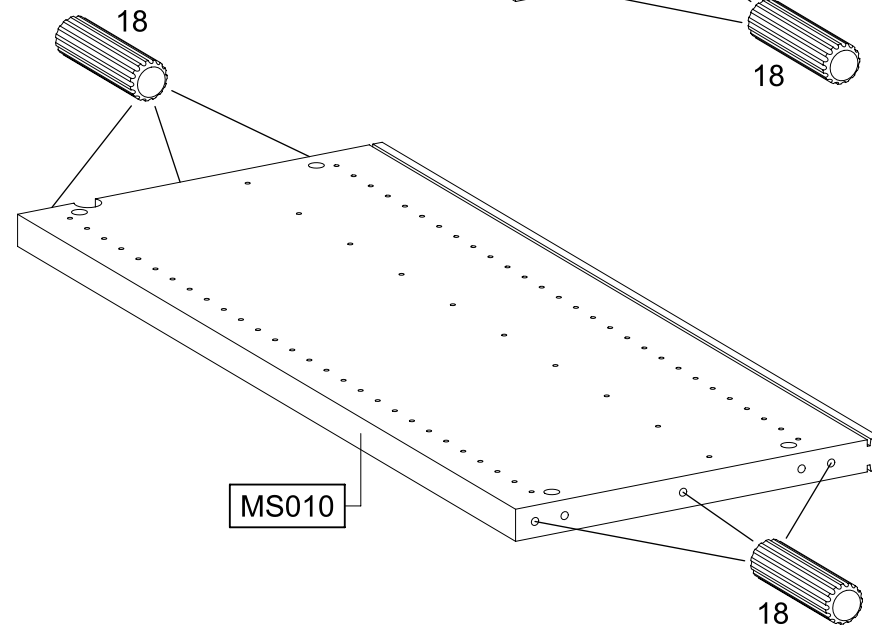
18

8x30



MS020

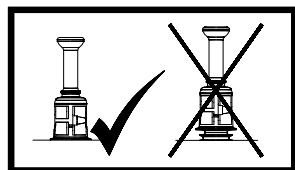
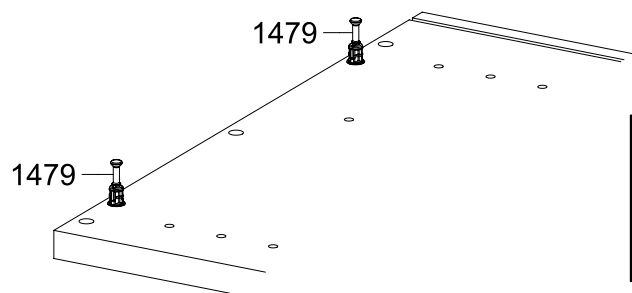
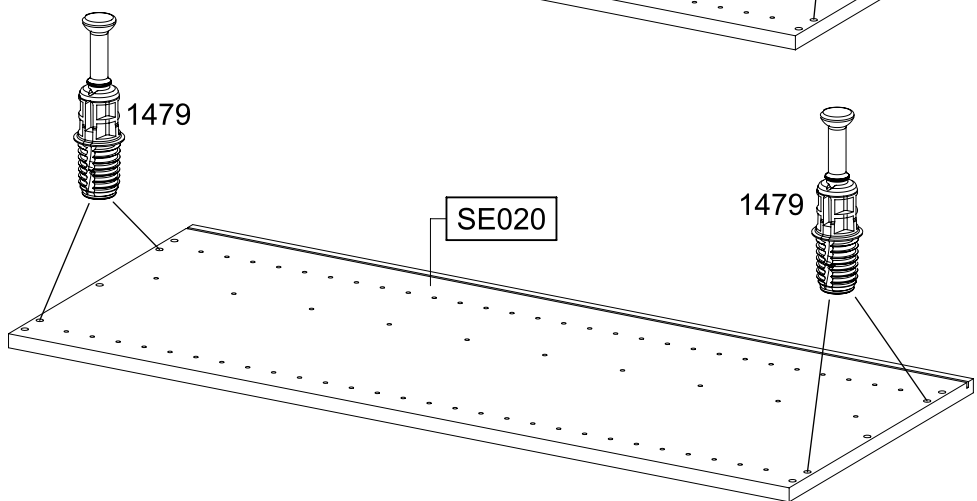
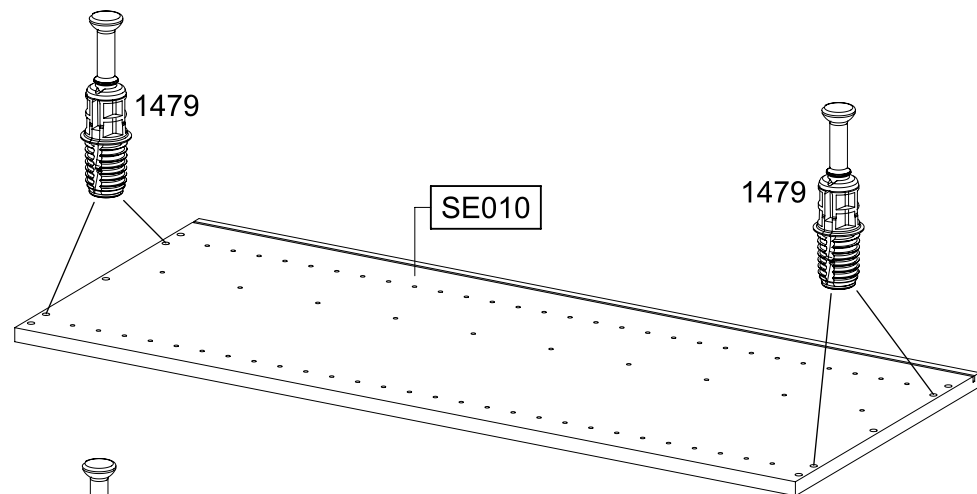

10mm



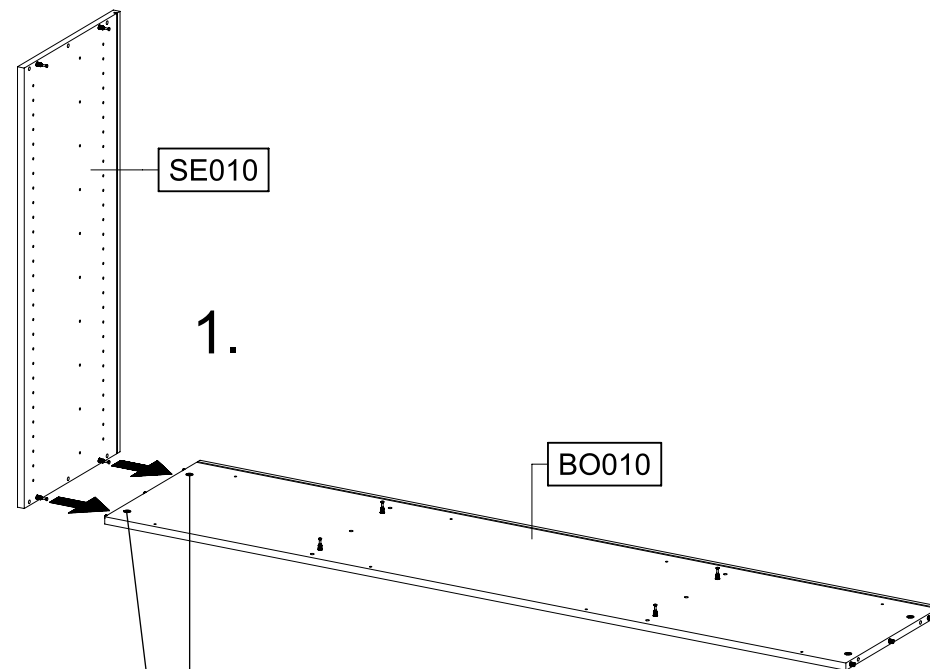
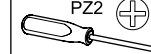
MS010

18

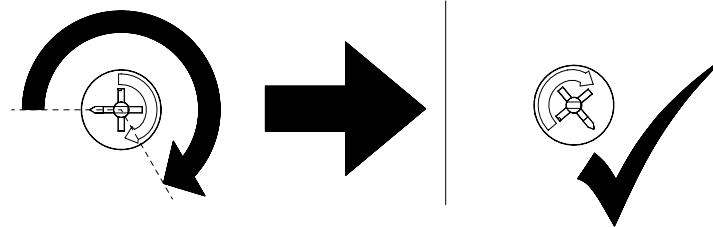
13

8x 1479 

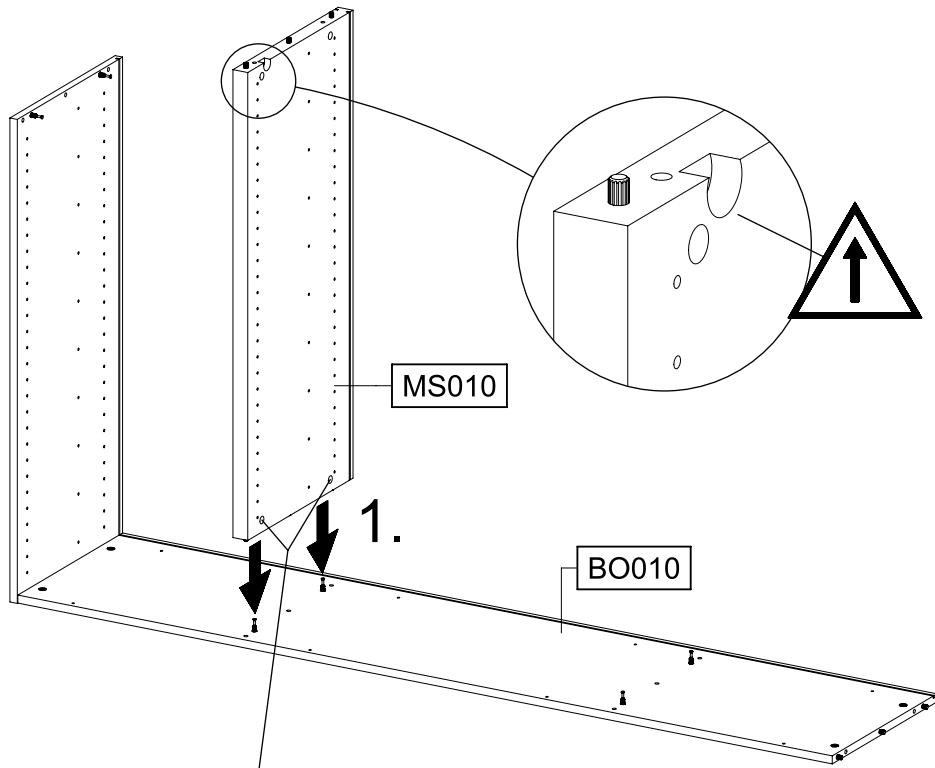
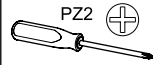
14

PZ2 

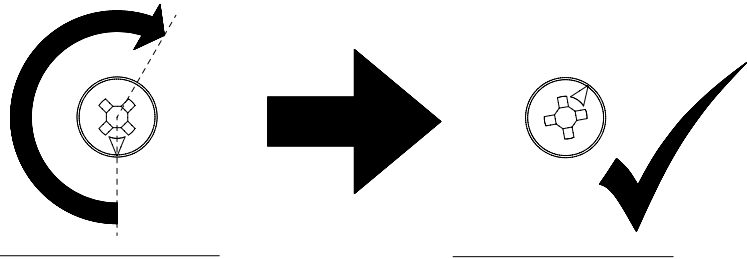
2.



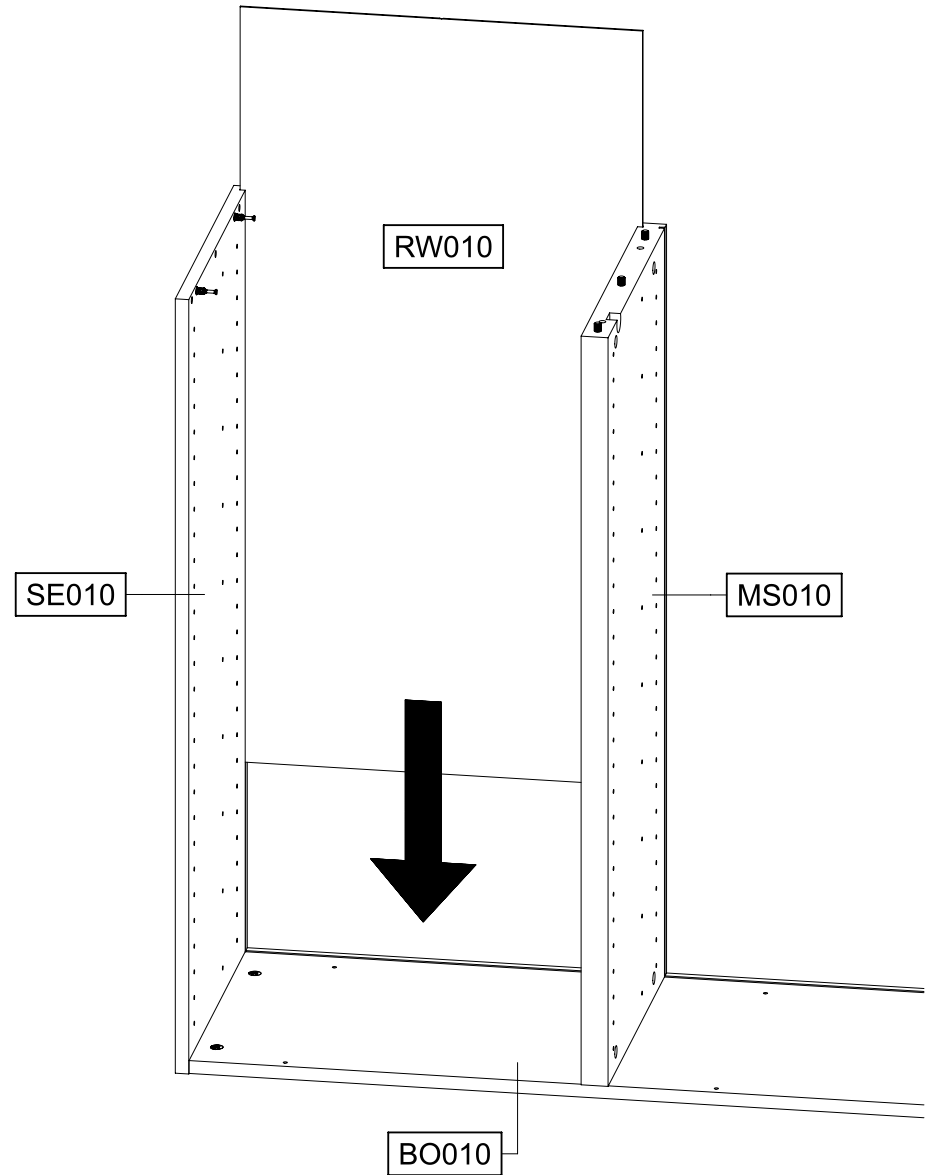
15



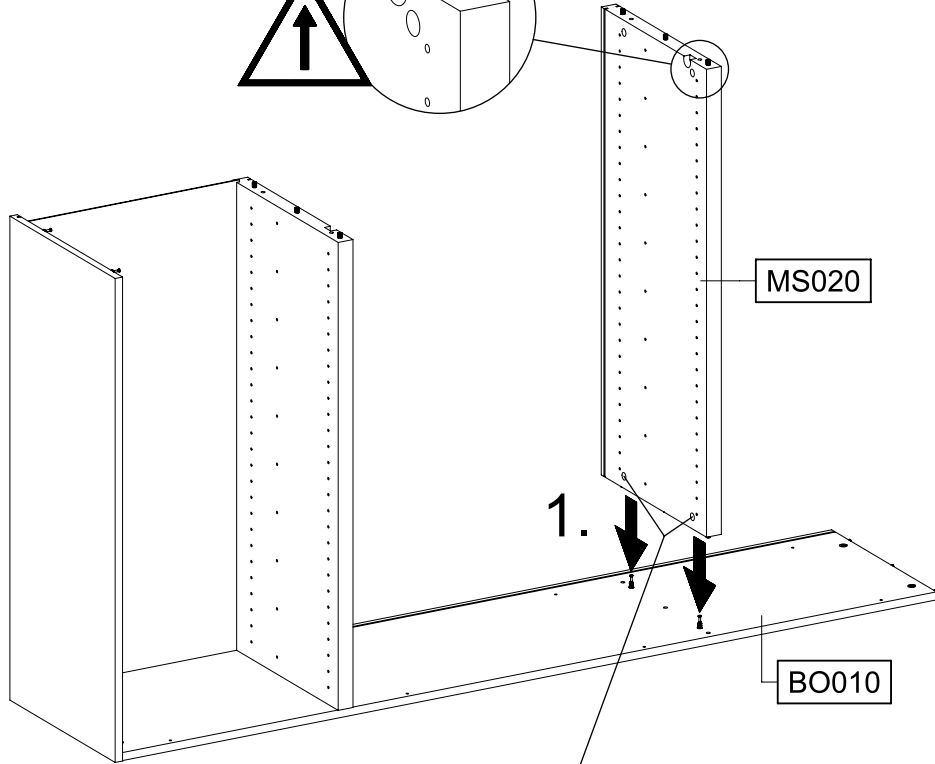
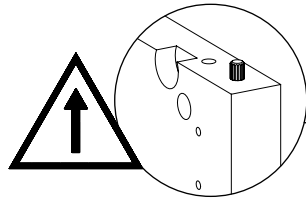
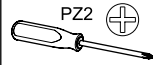
2.



16



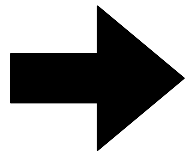
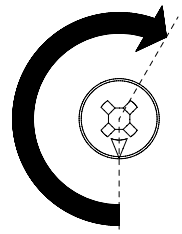
17



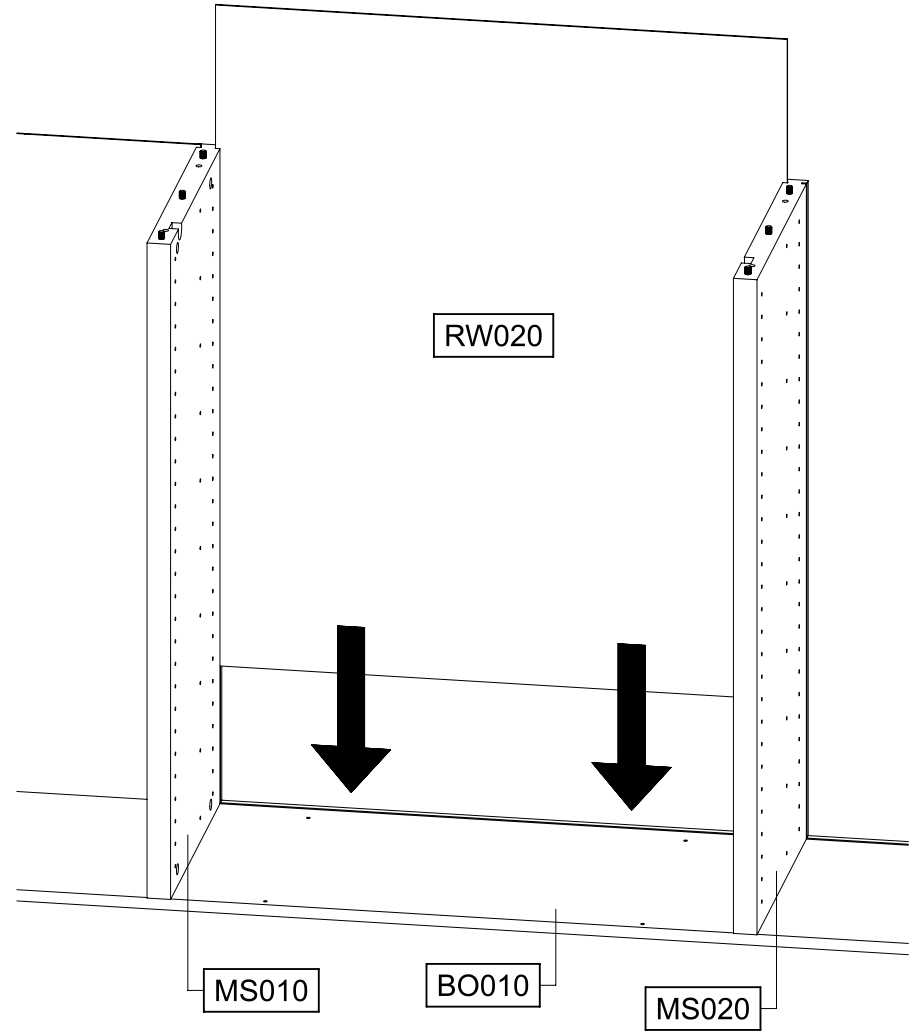
MS020

BO010

2.



18



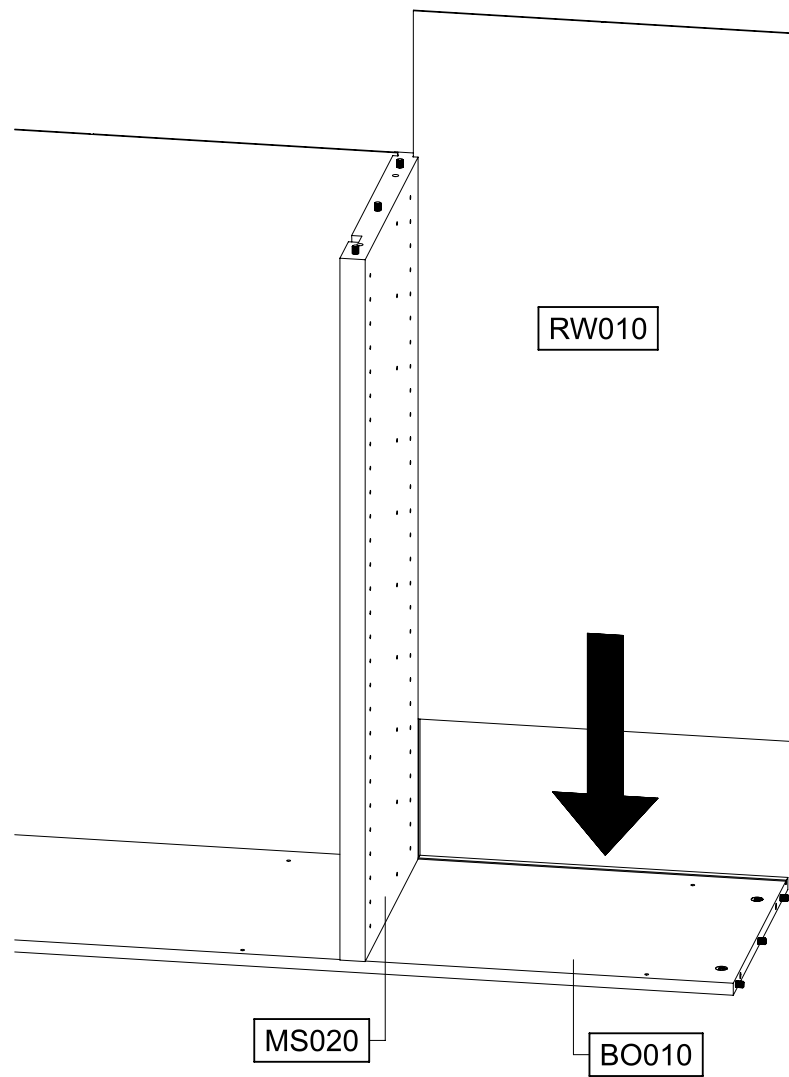
RW020

MS010

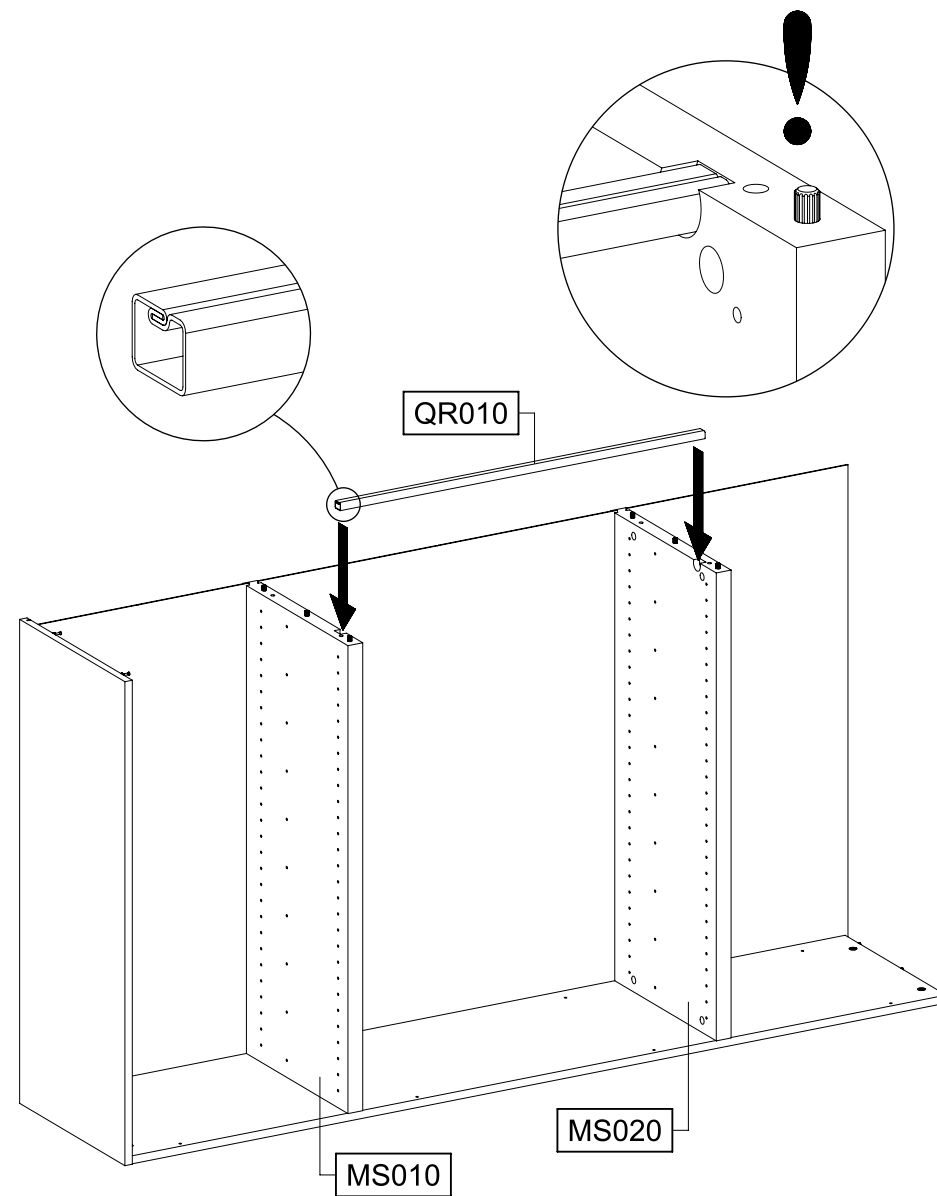
BO010

MS020

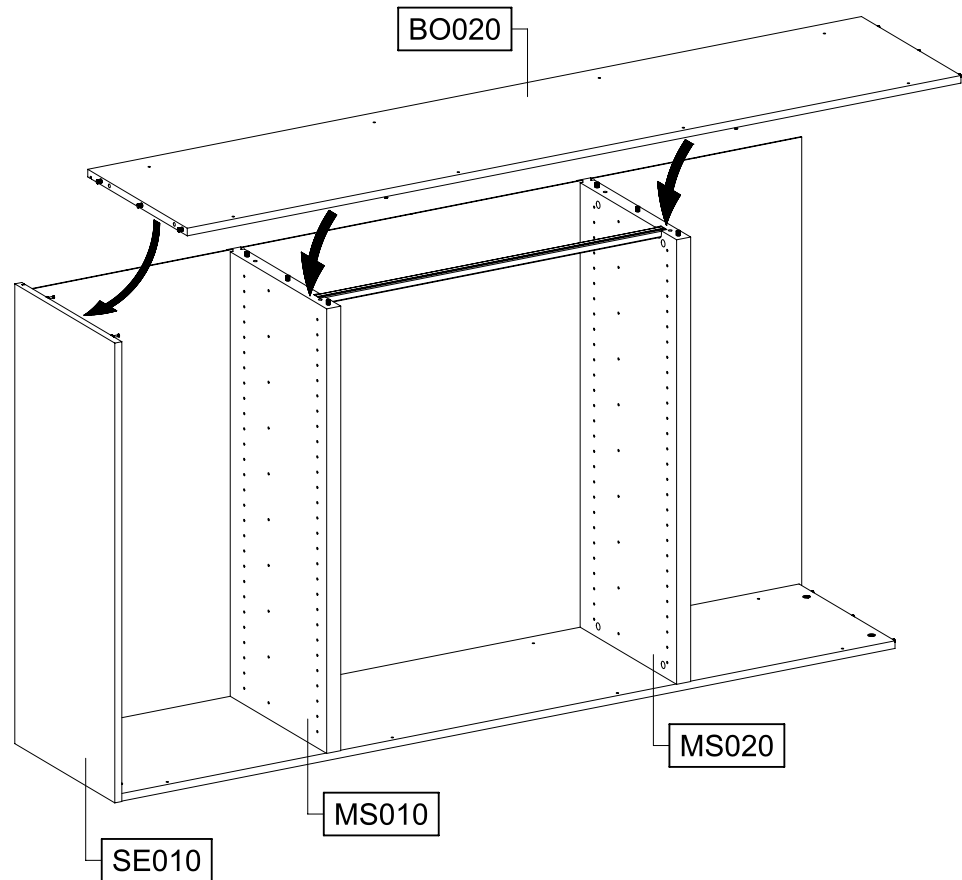
19



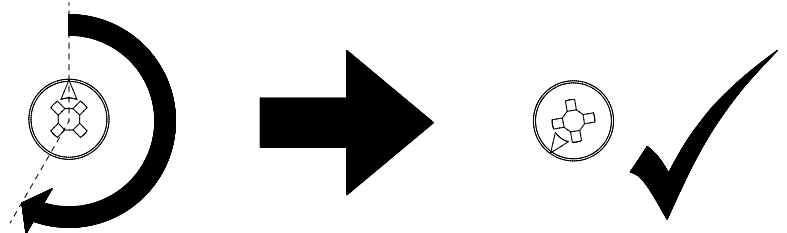
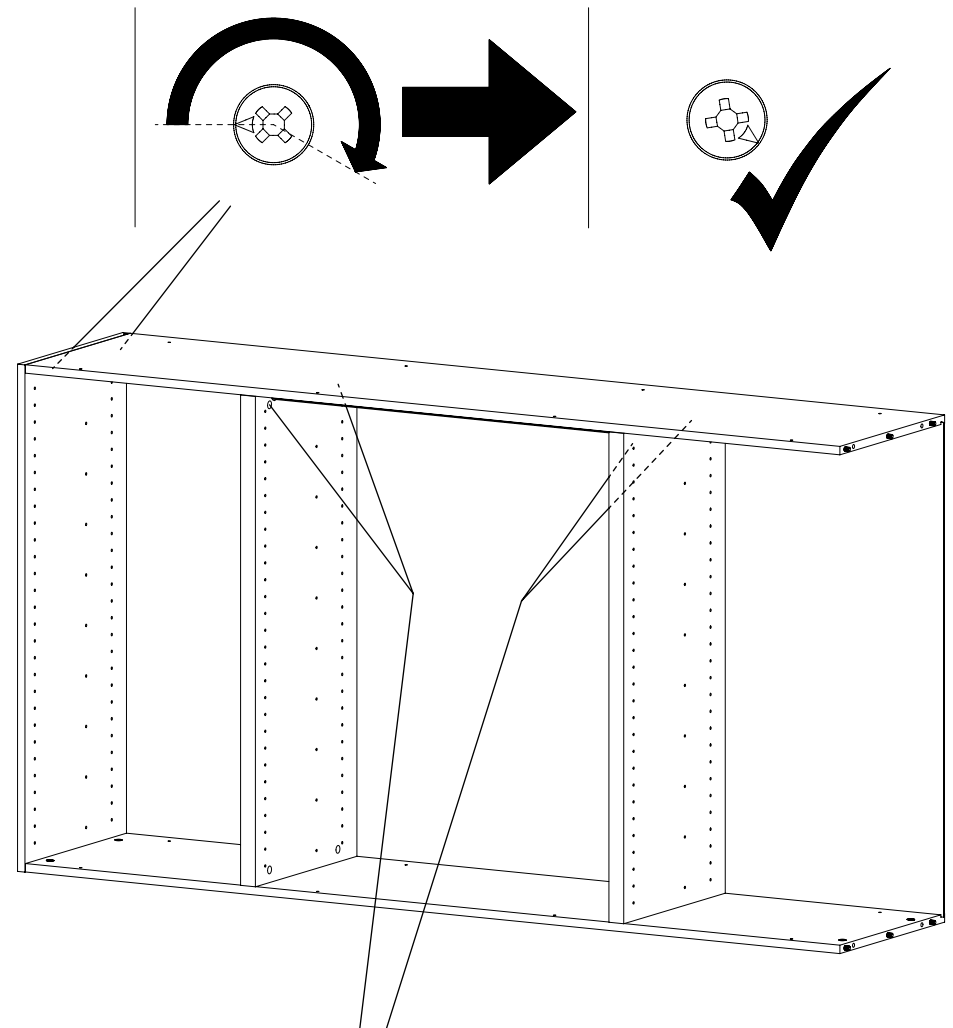
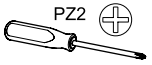
20



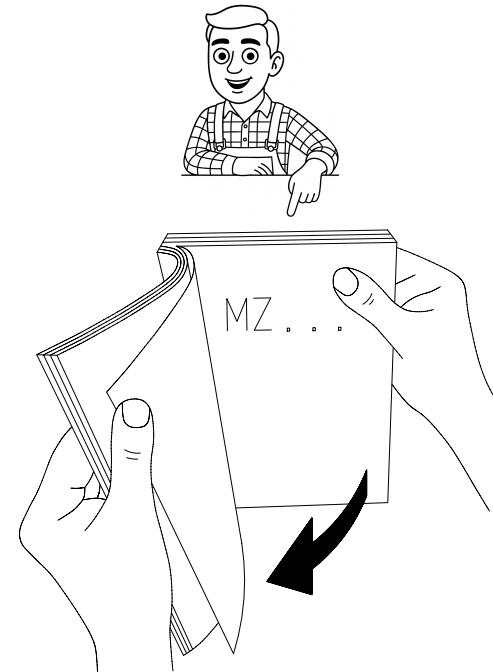
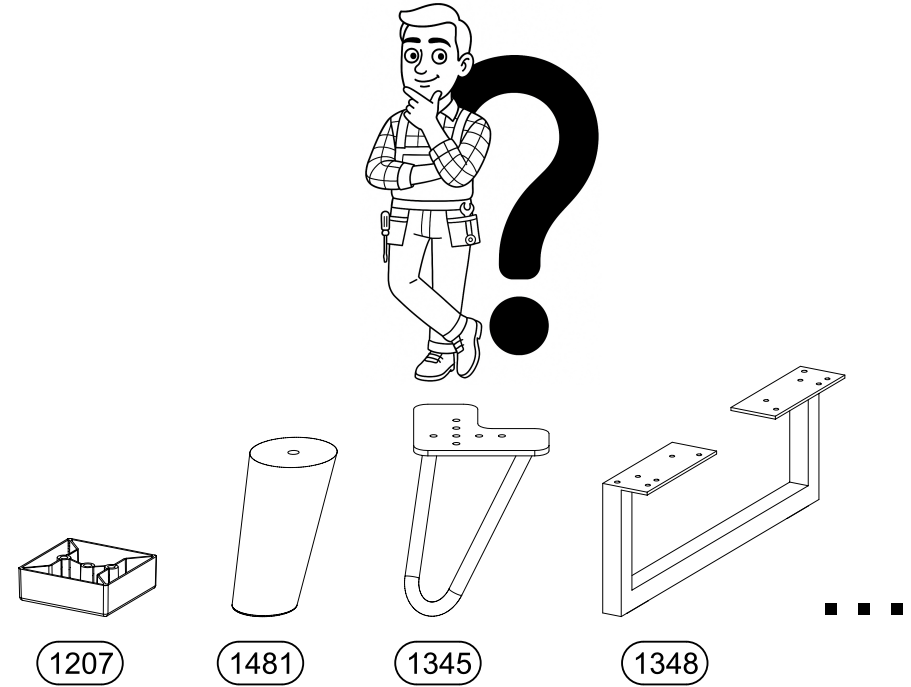
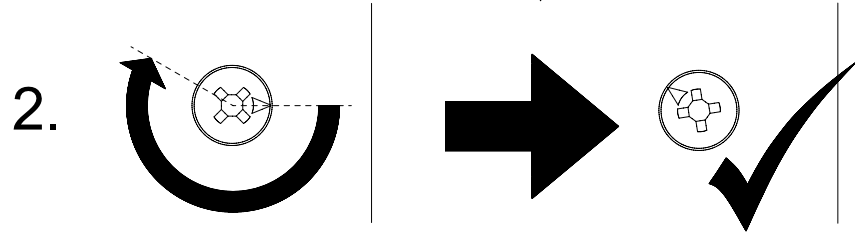
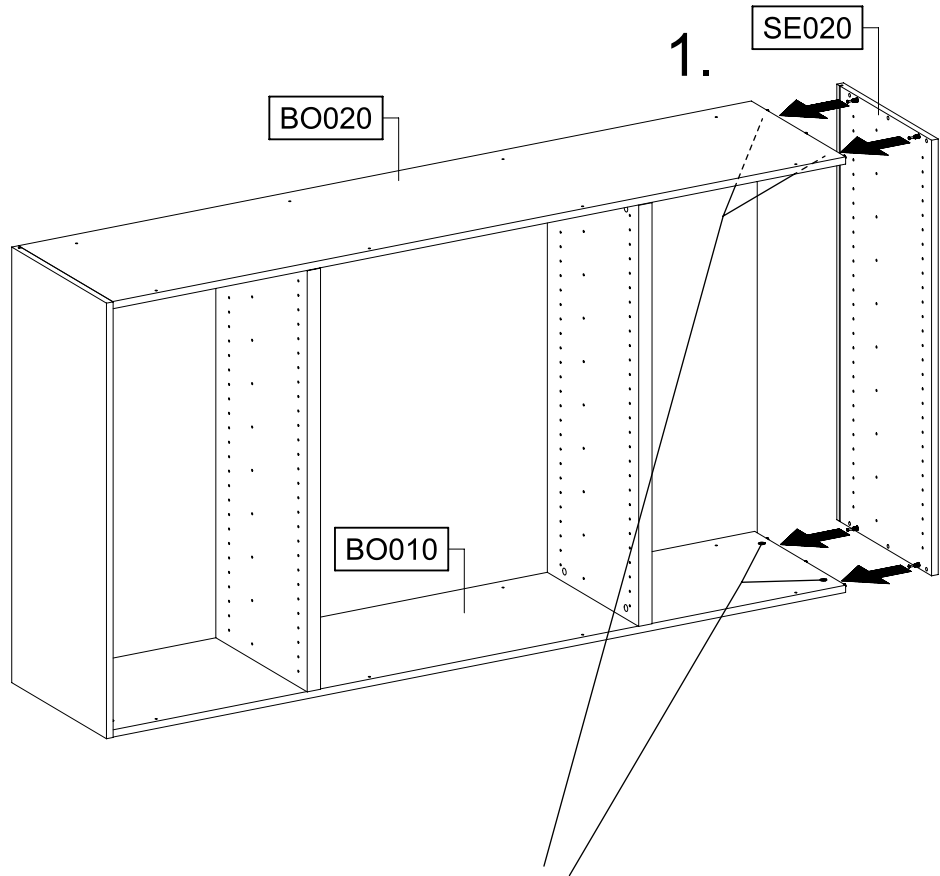
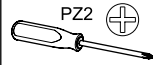
21



22

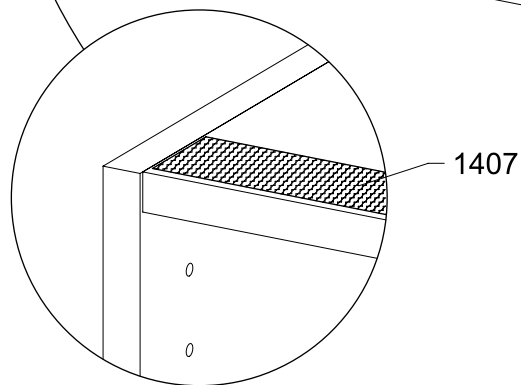
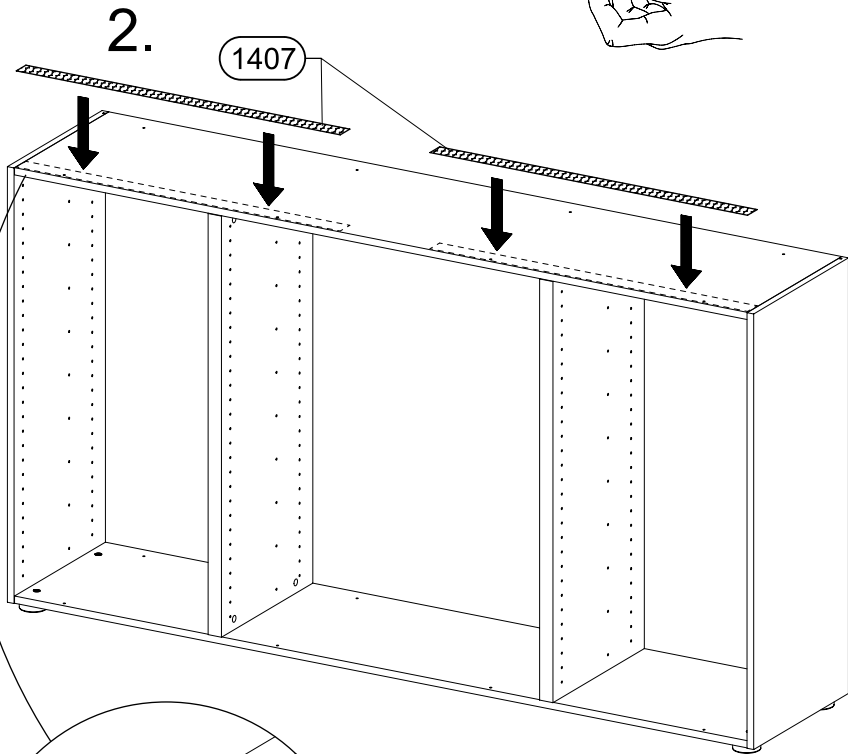
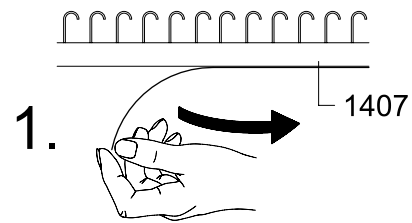


23



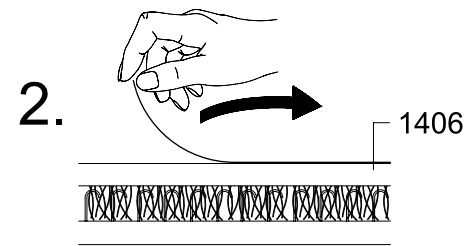
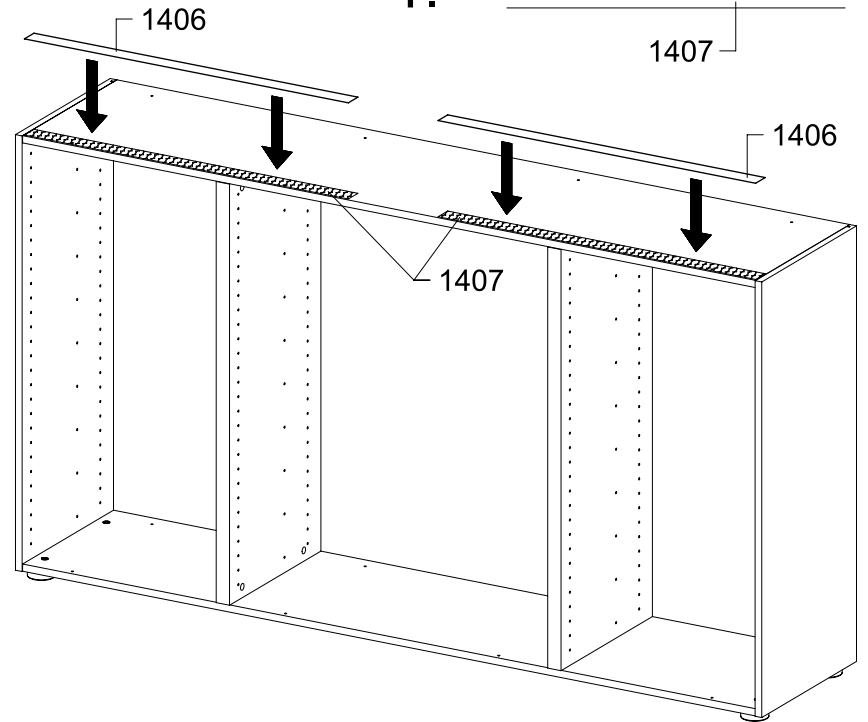
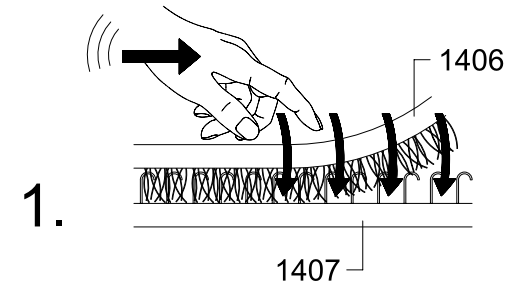
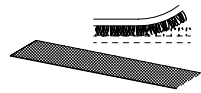
24

2x 1407

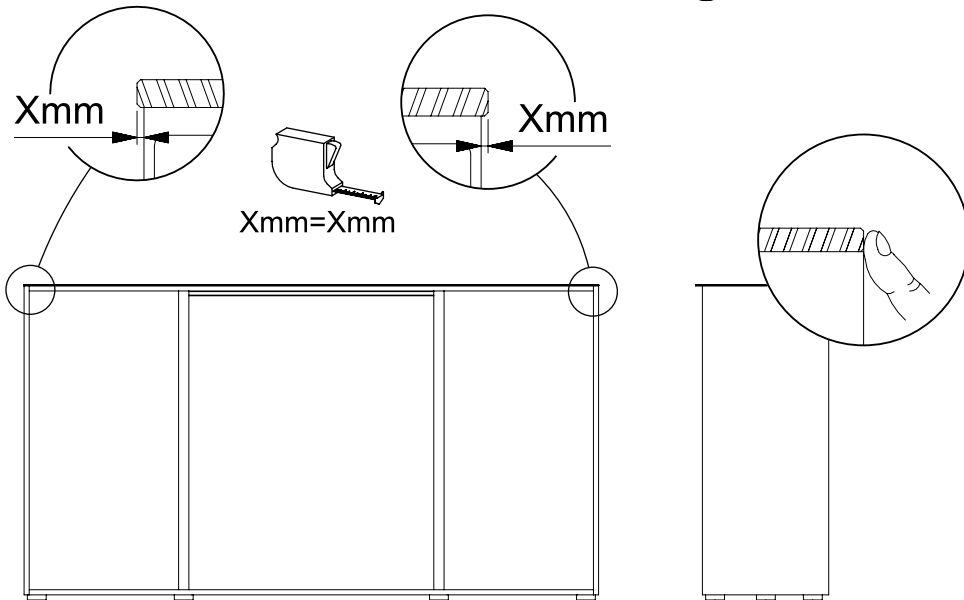
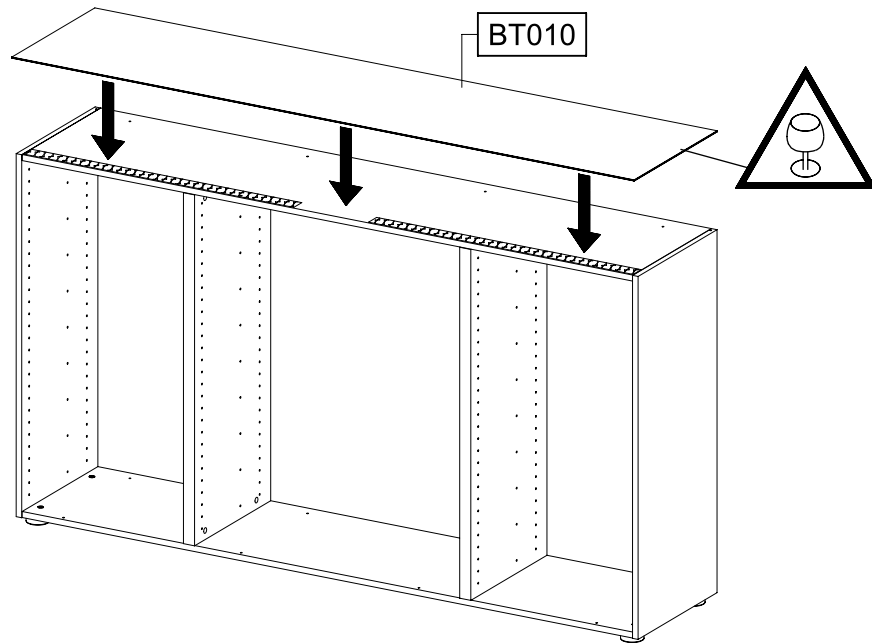
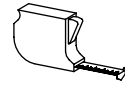


25

2x 1406

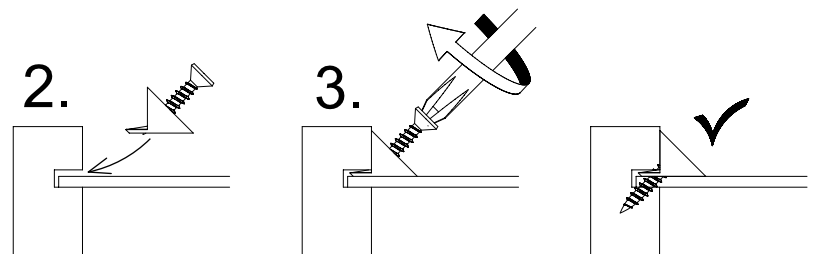
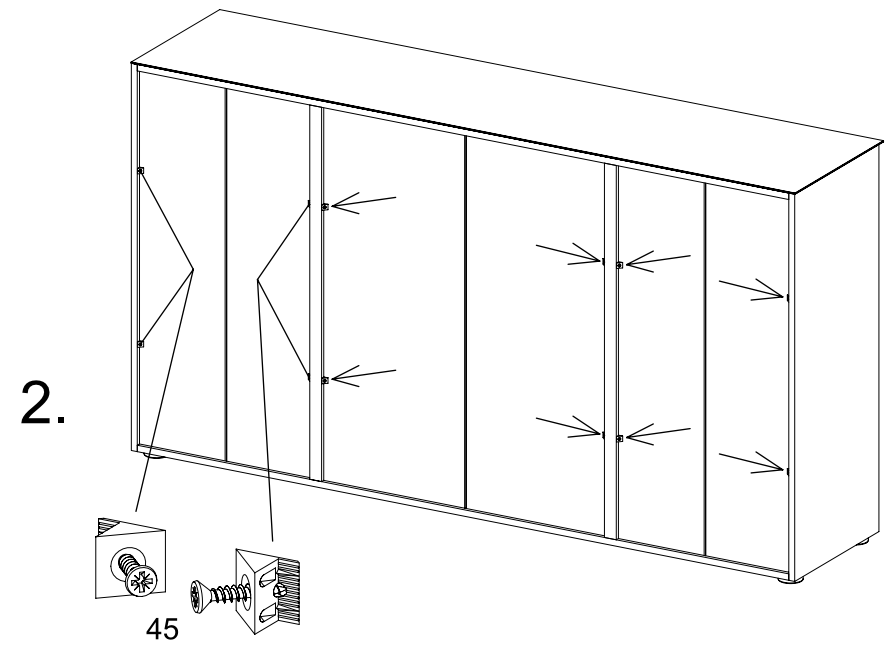
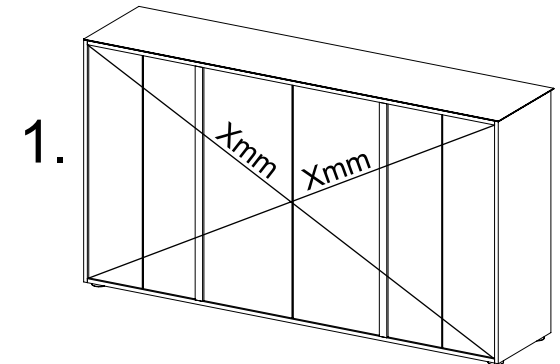
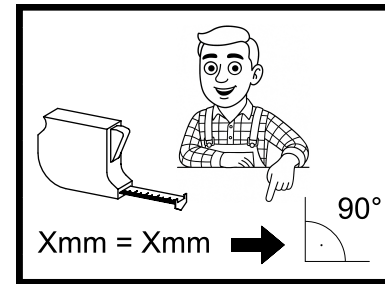
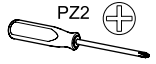
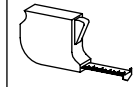


26



27

12x45



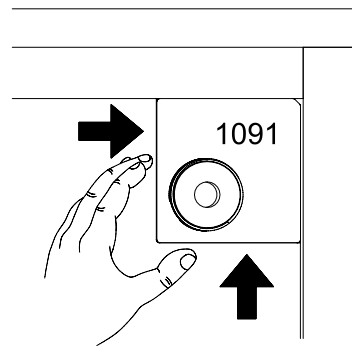
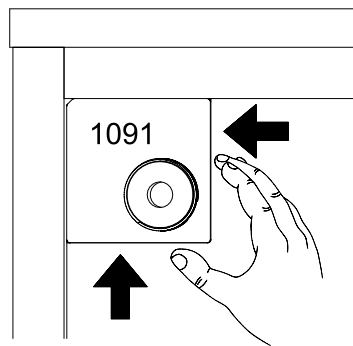
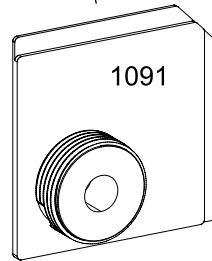
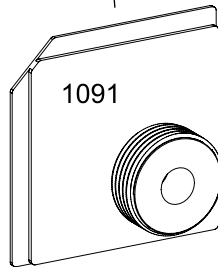
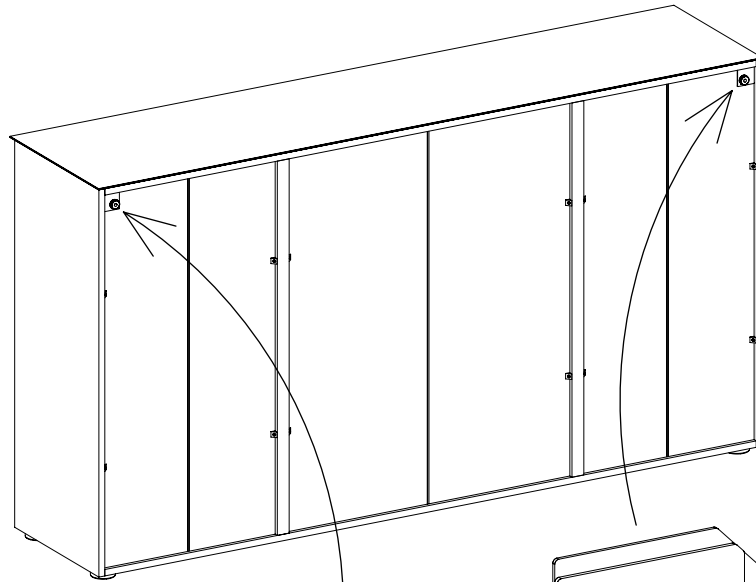
28

2x

1091



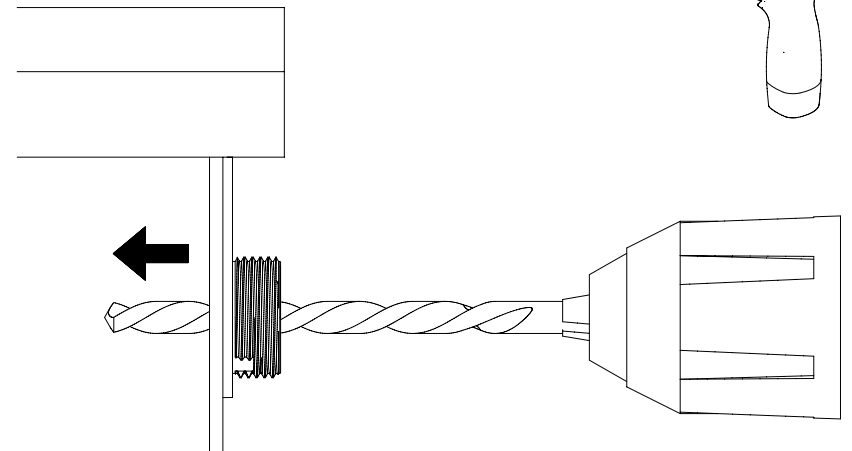
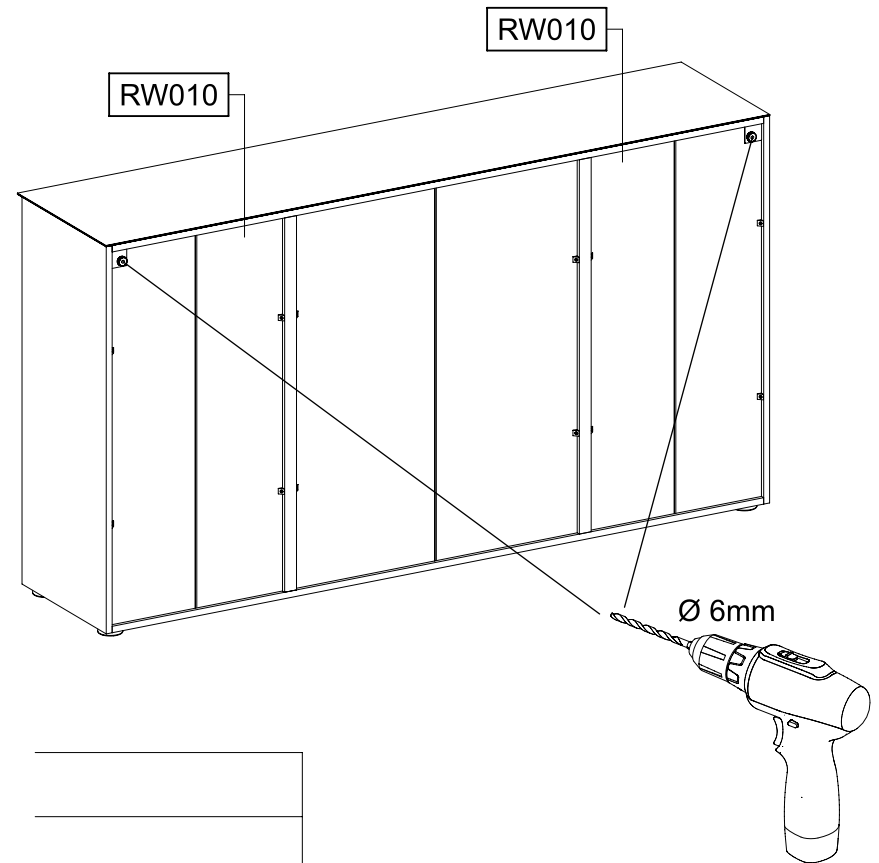
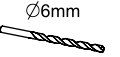
SCAN ME

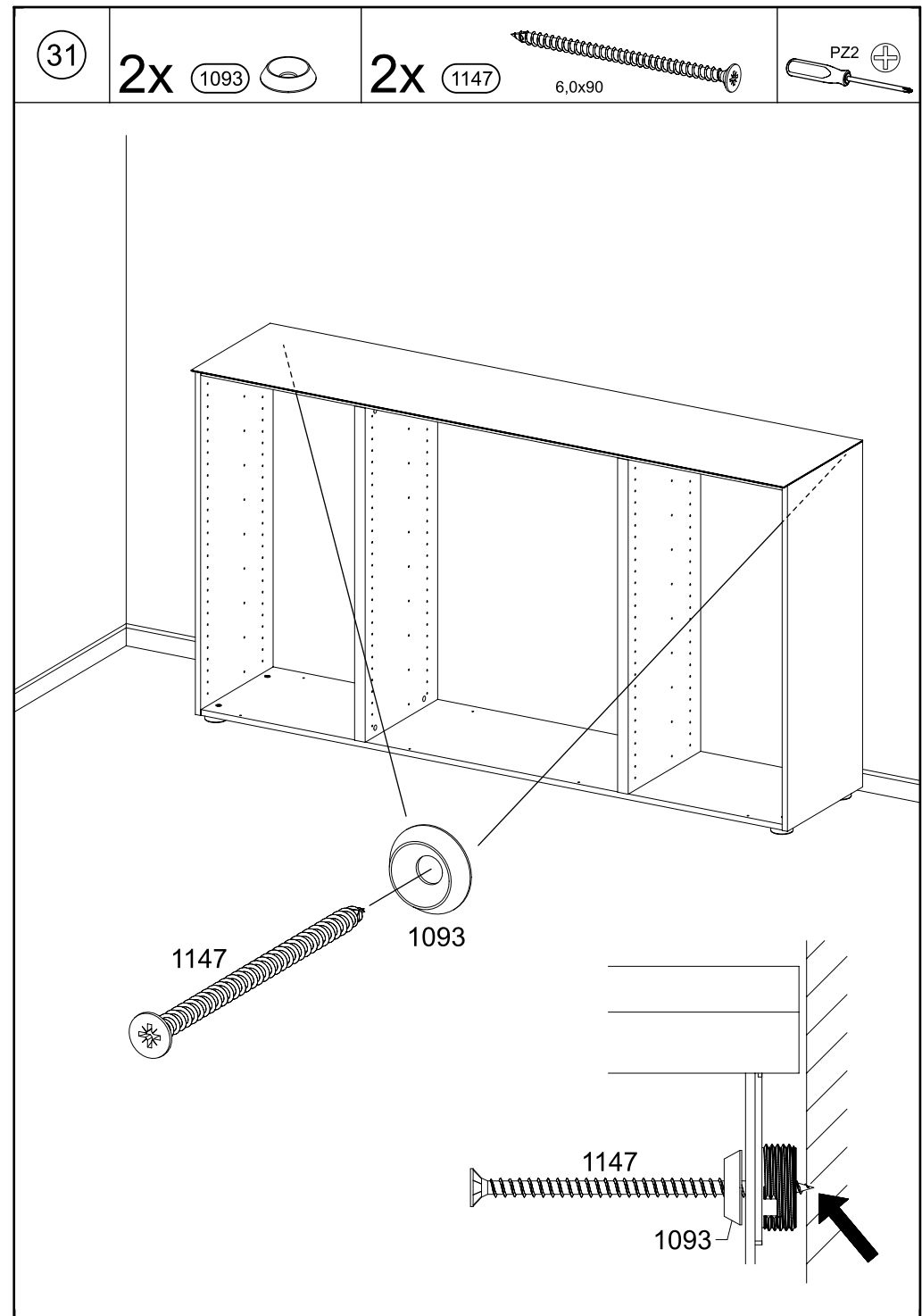
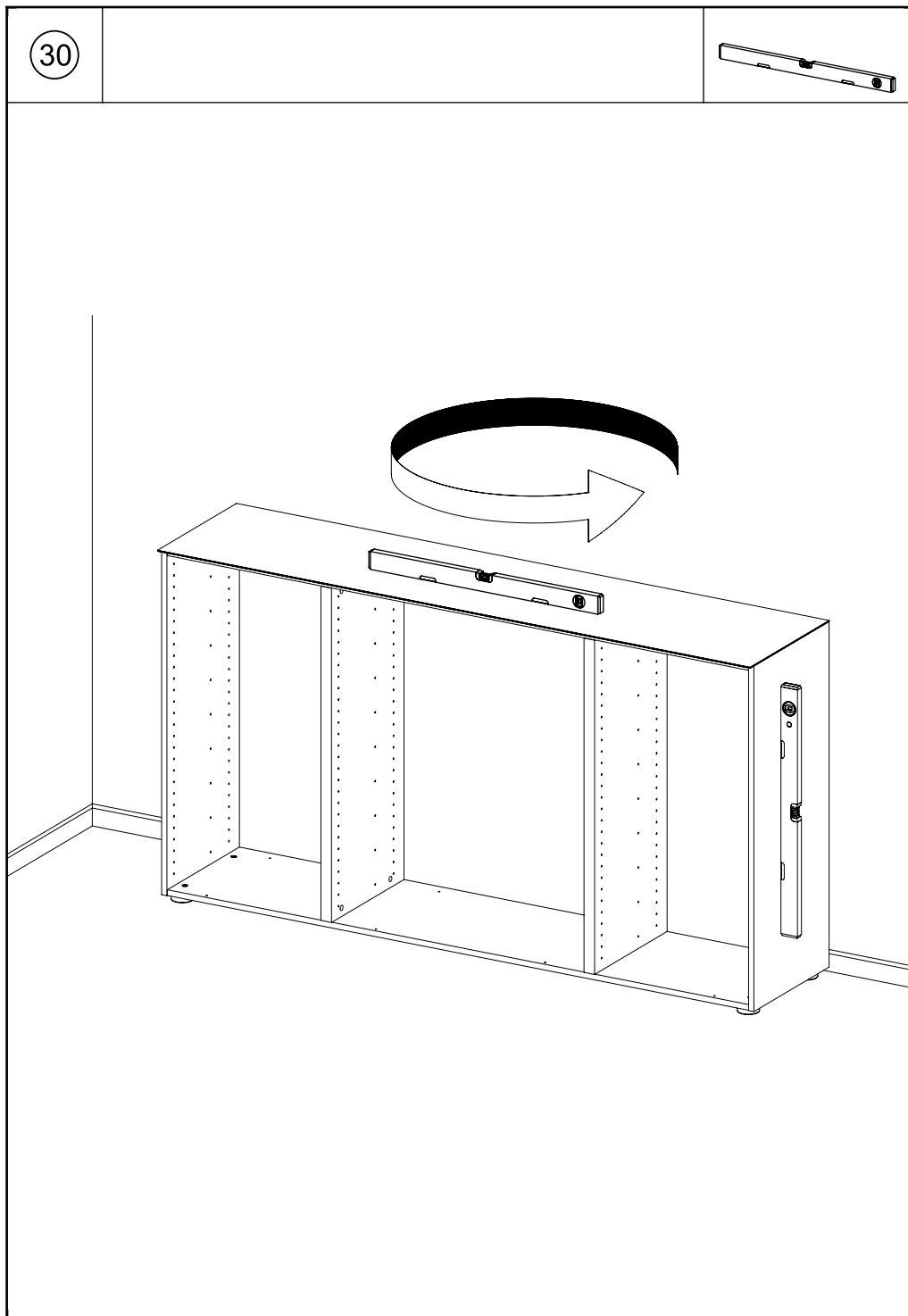


29



Ø6mm

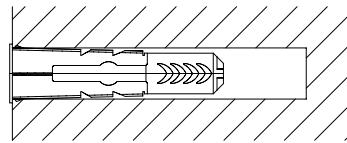
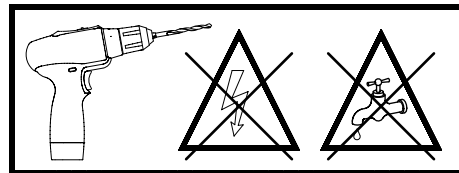
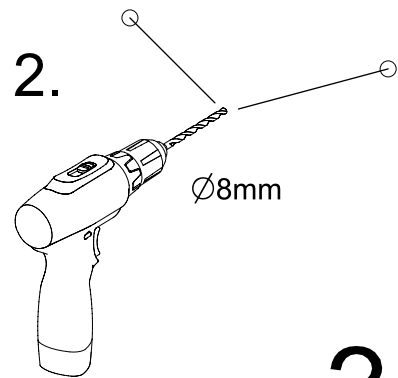
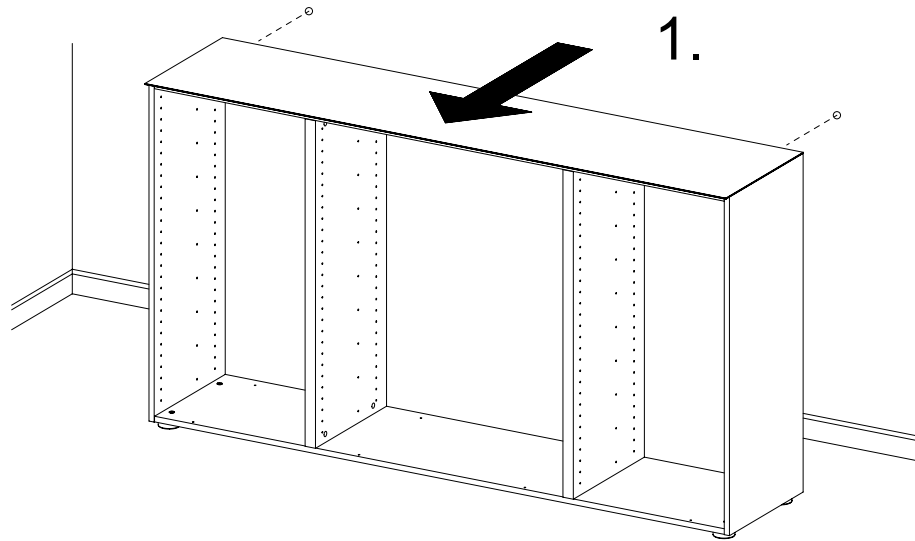
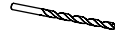




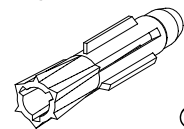
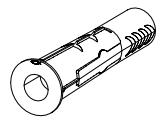
32



Ø8mm



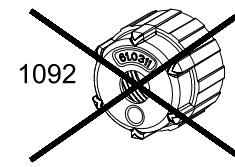
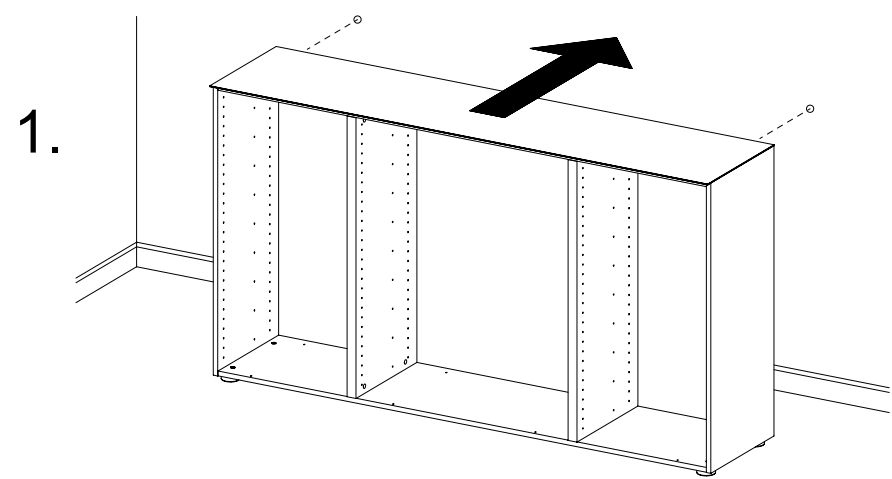
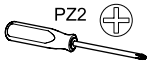
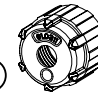
?



Ø8mm

33

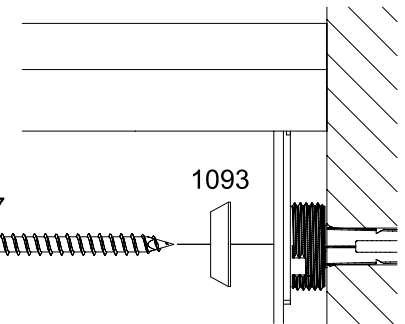
2x 1092



2.



1093



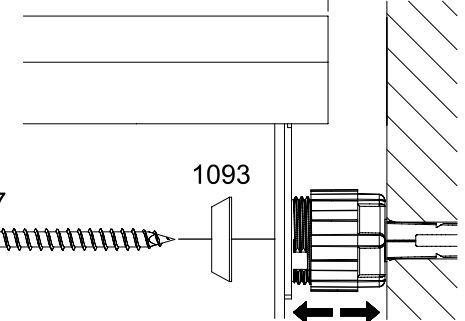
10-15mm

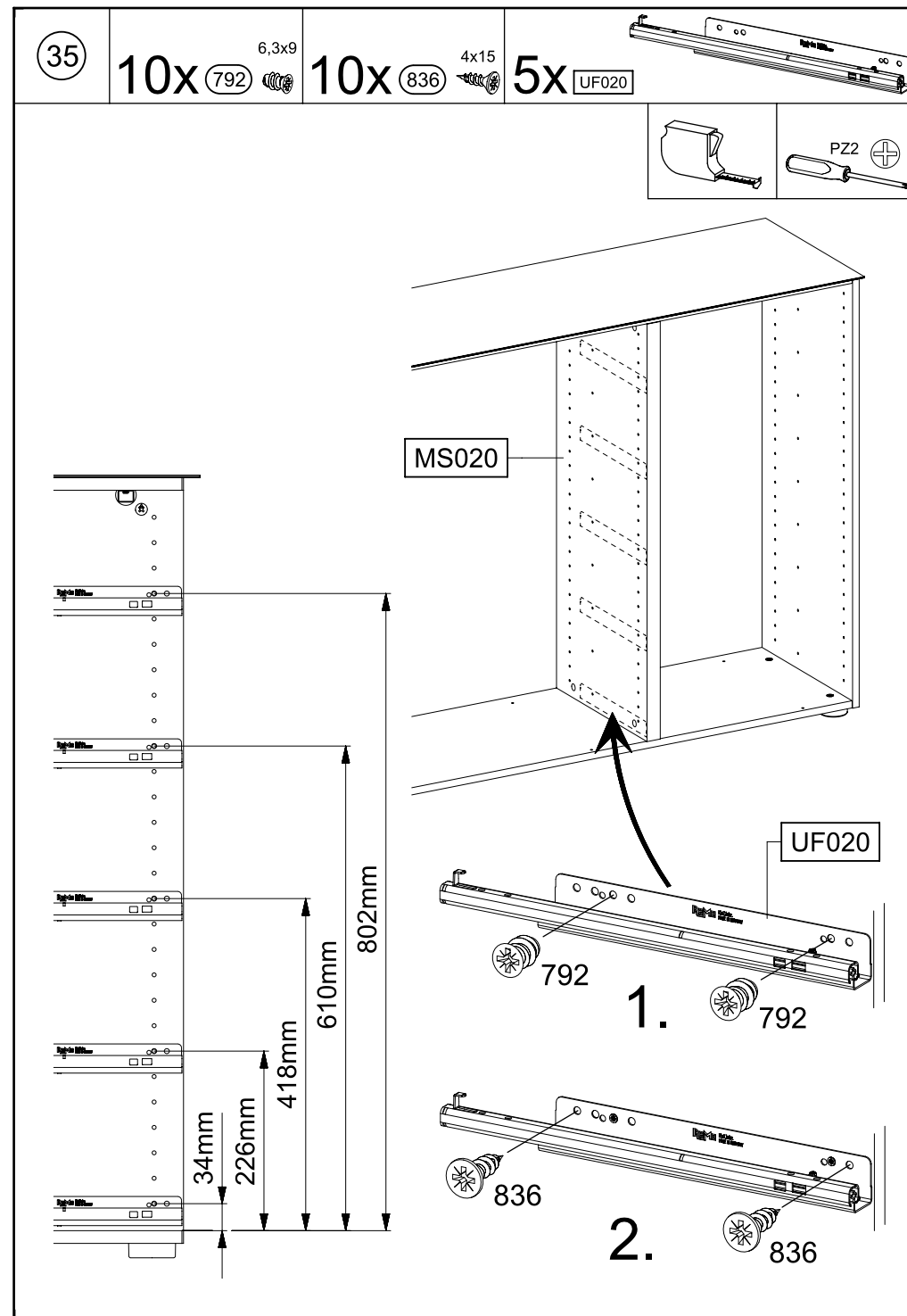
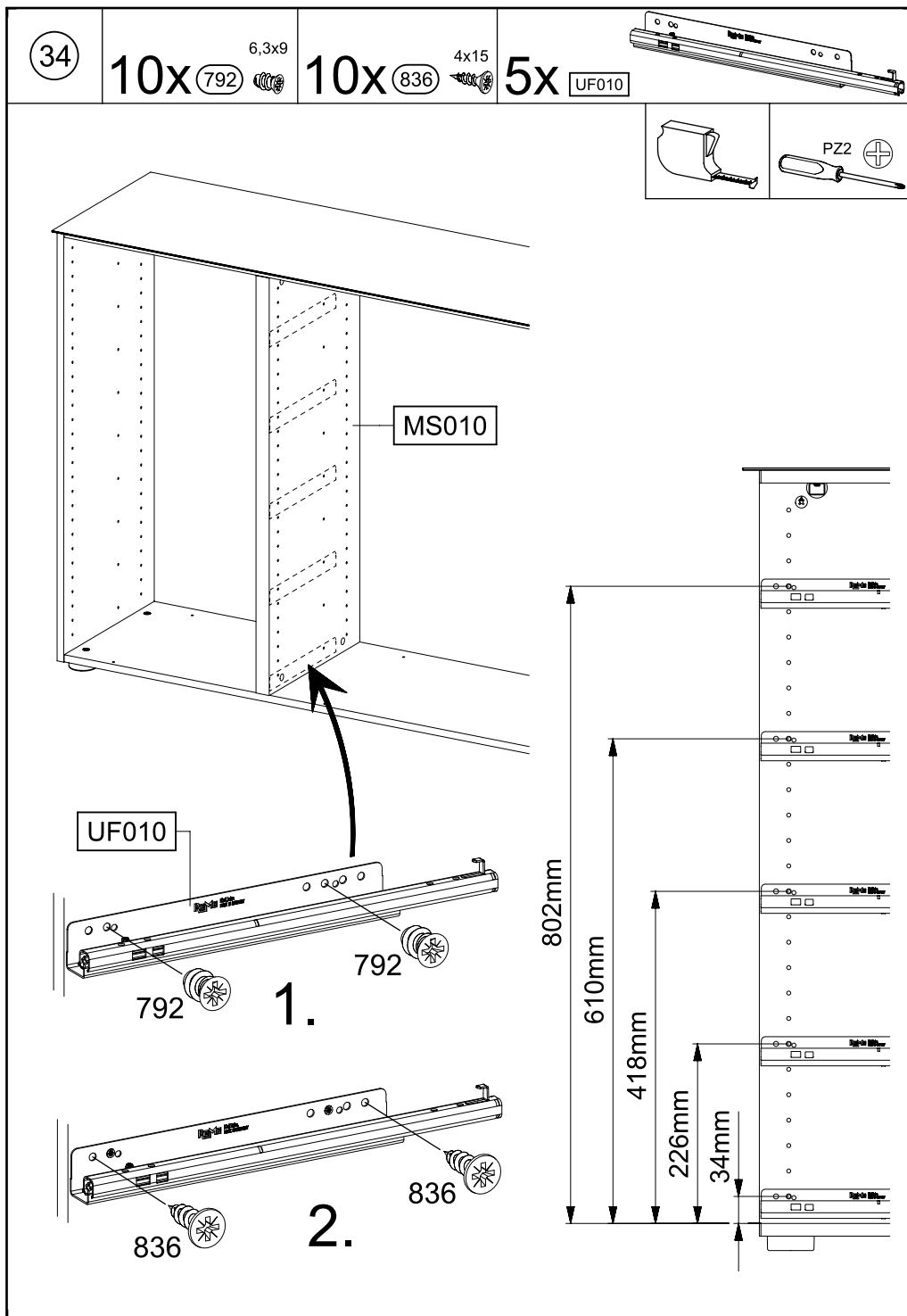


2.



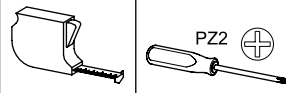
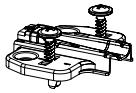
1093





36

2x 1415

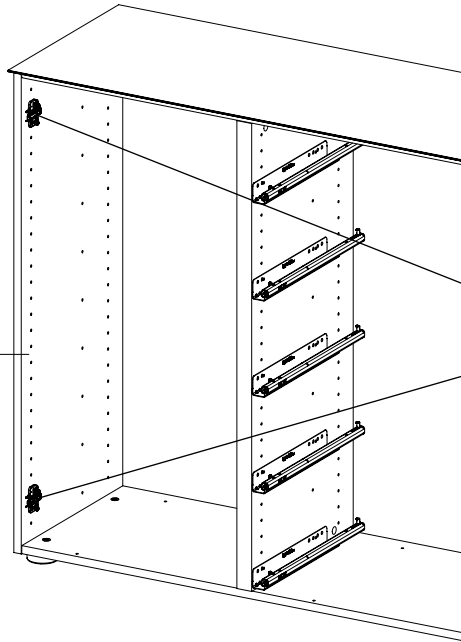


PZ2

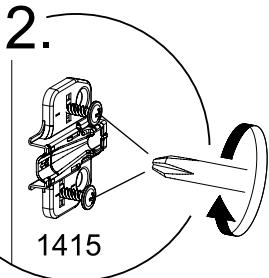
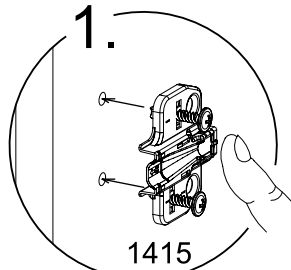
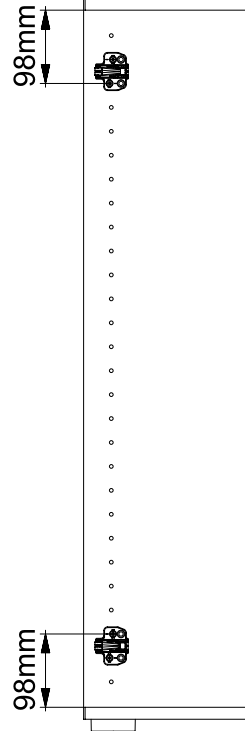
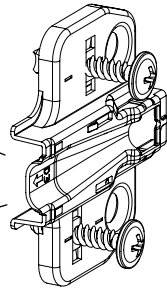


SCAN ME

SE010

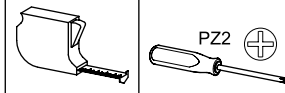
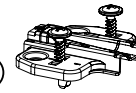


1415



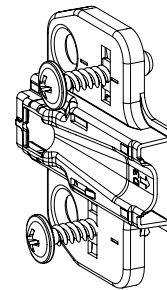
37

2x 1415

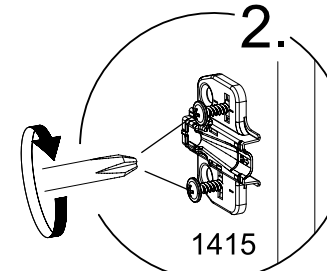
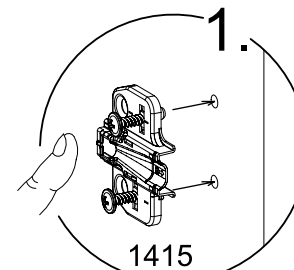
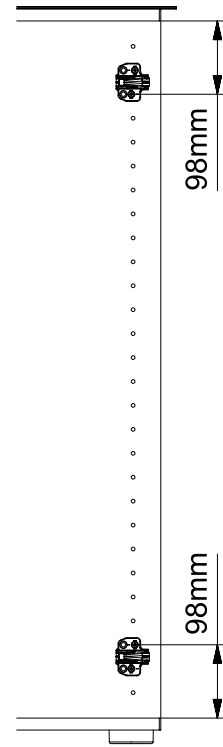
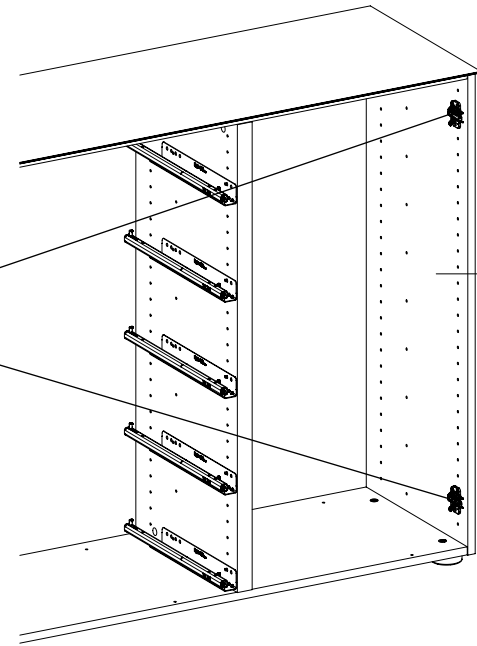


PZ2

1415

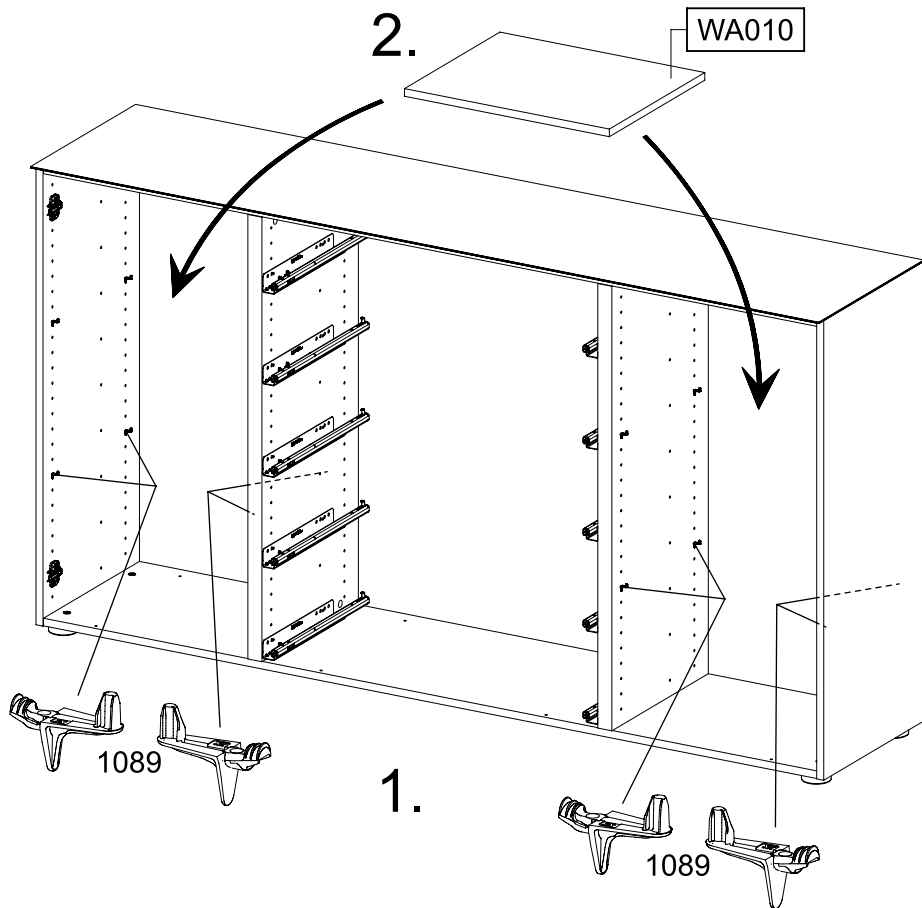


SE020

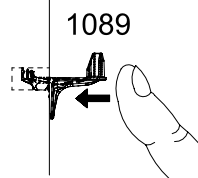


38

16x 1089



1.



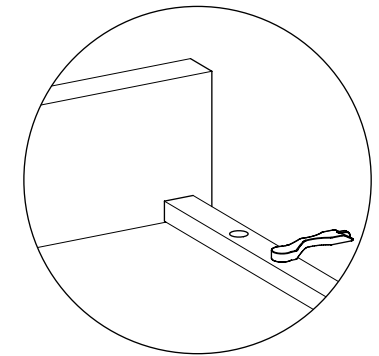
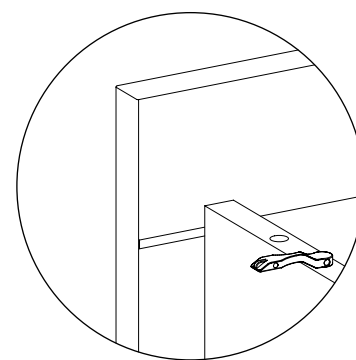
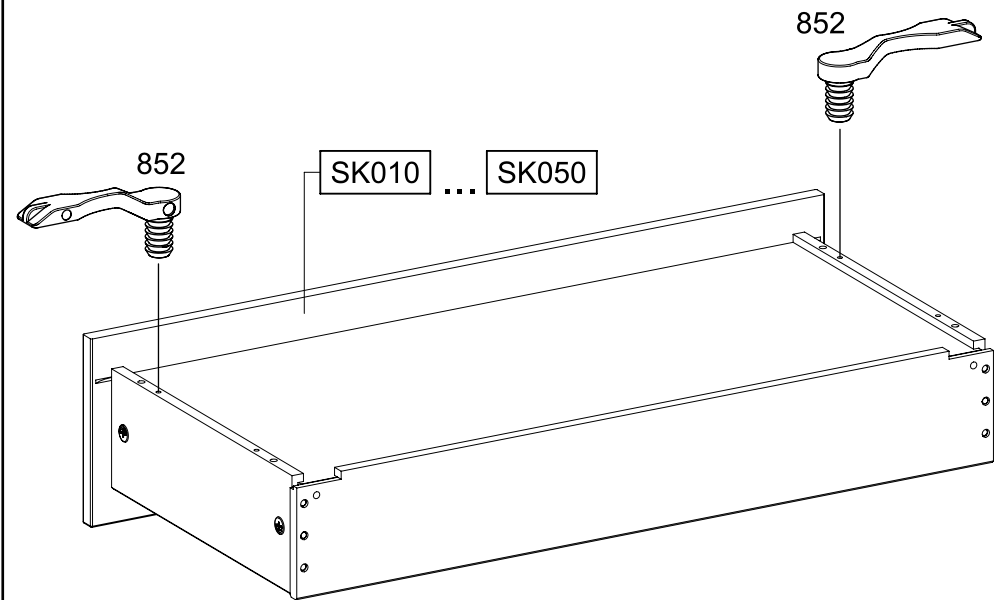
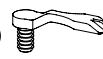
WA010

2.

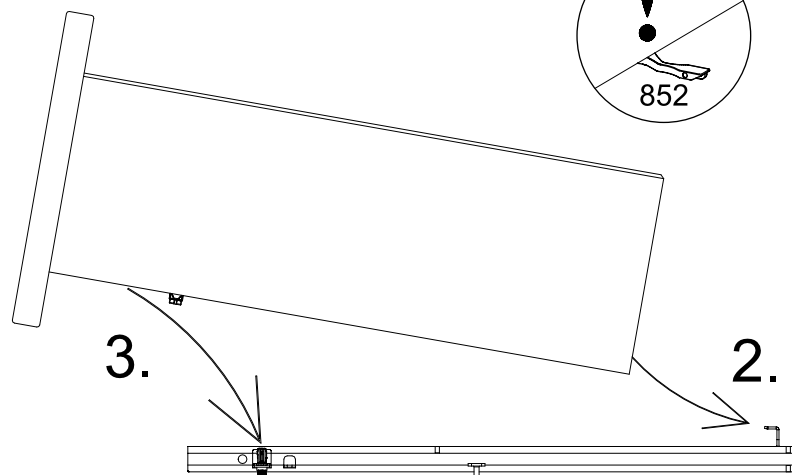
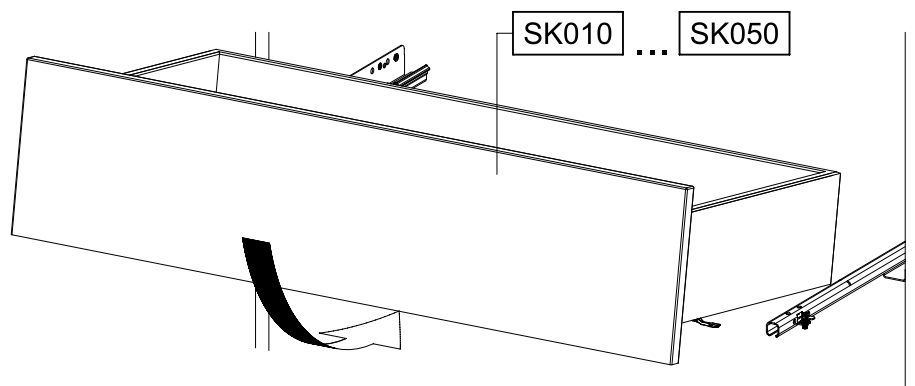
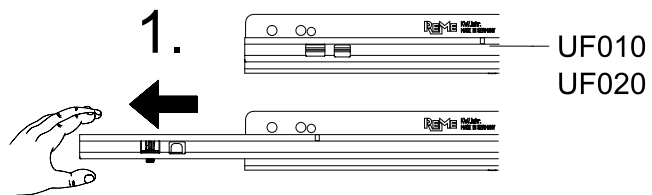


39

10x 852

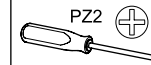


40

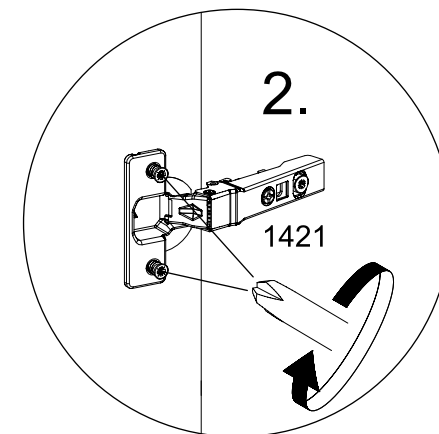
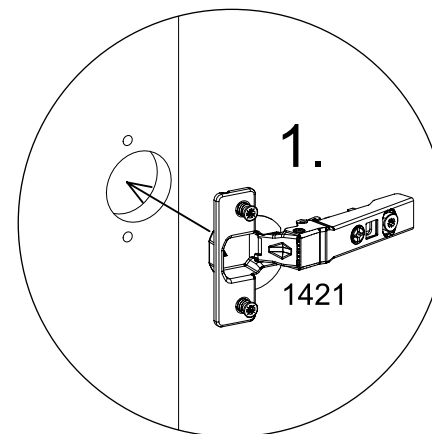
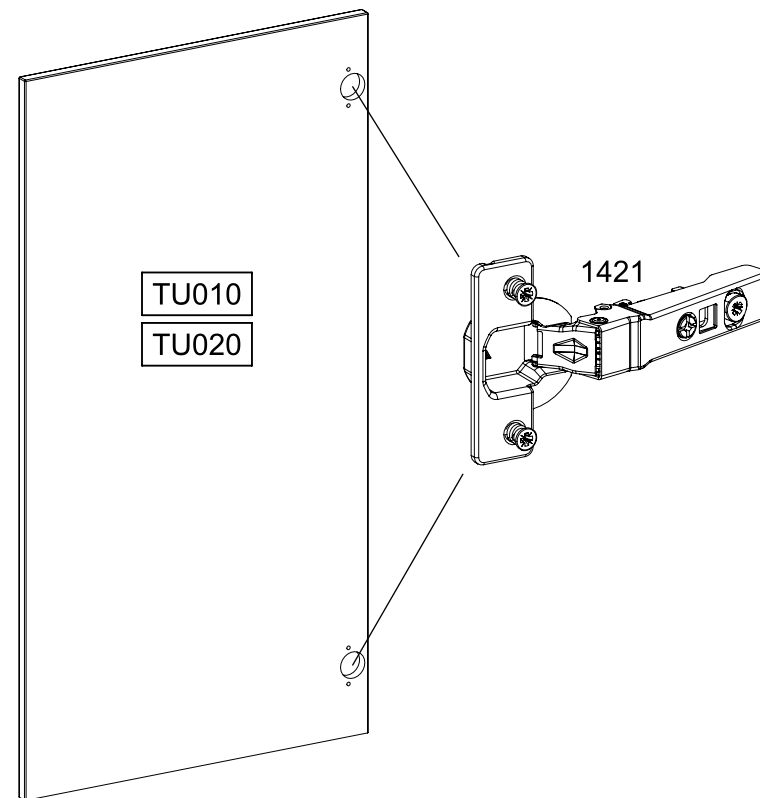


41

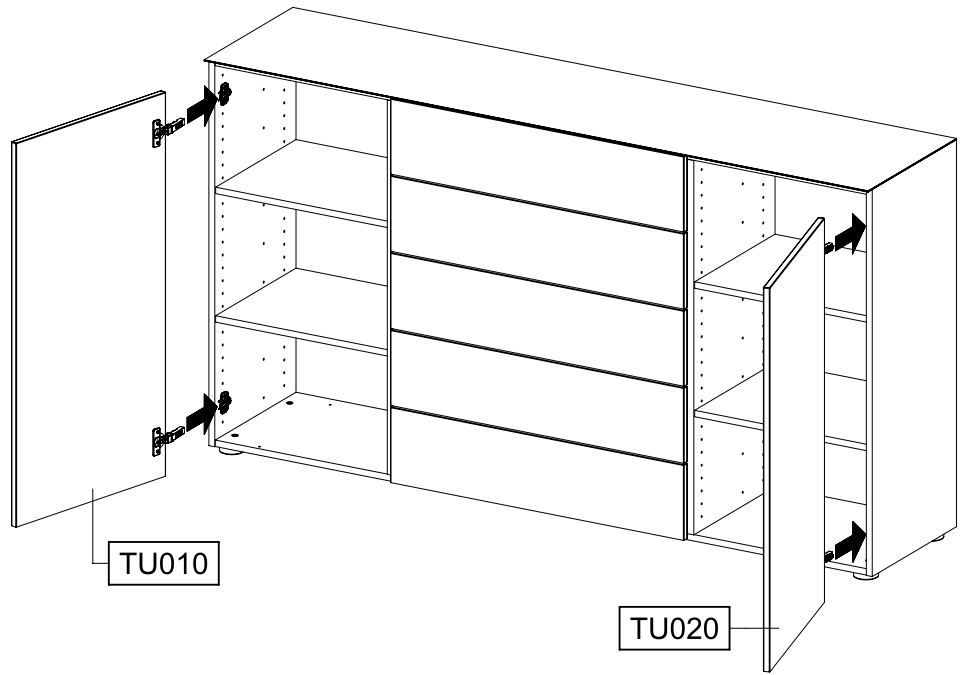
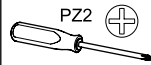
4x 1421



SCAN ME

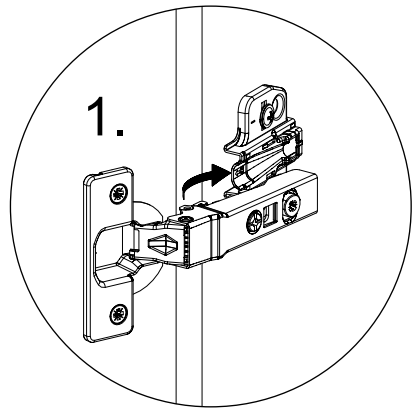


42

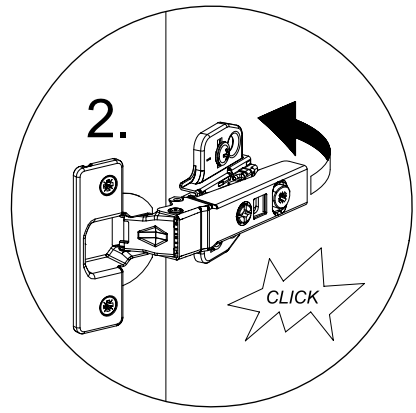


TU010

TU020



1.



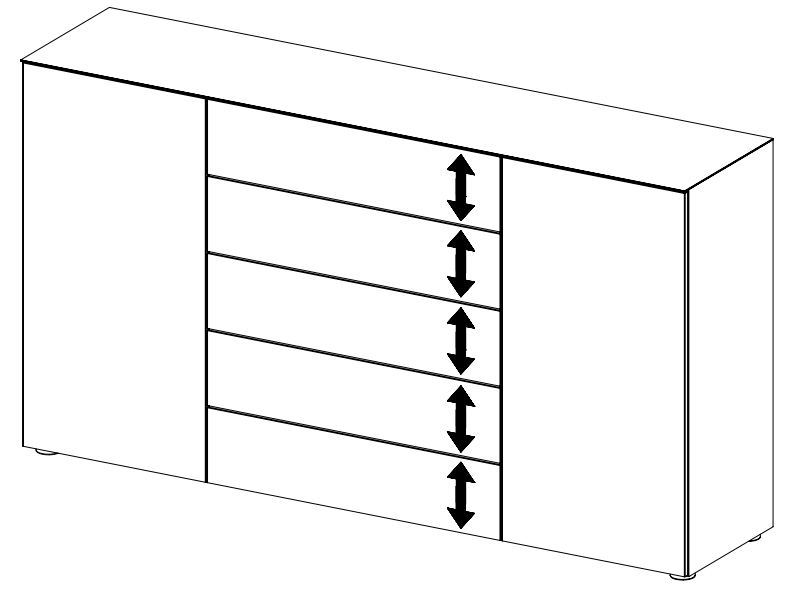
2.

CLICK

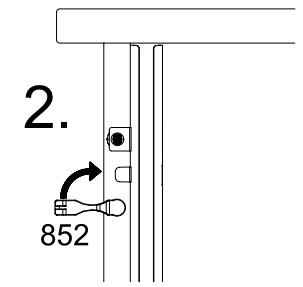
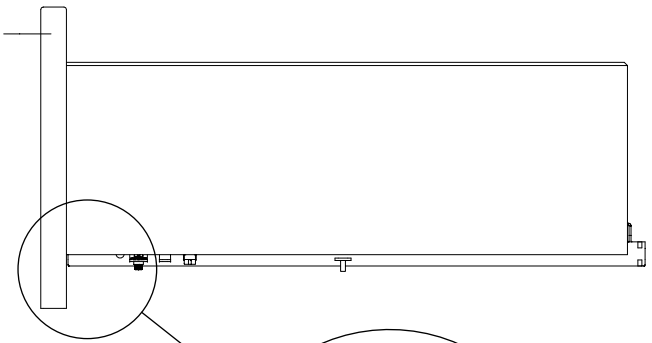
43



SCAN ME

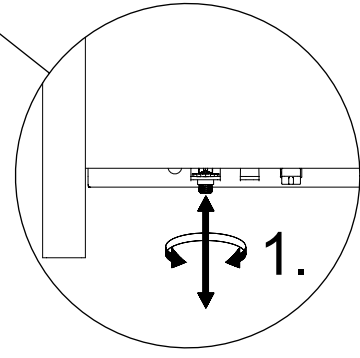


- SK010
- SK020
- SK030
- SK040
- SK050

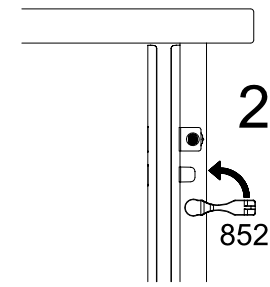


2.

852



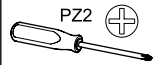
1.



2.

852

44



SCAN ME

