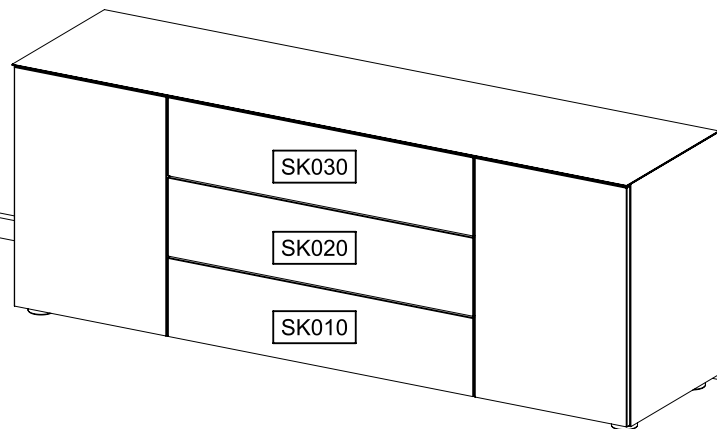
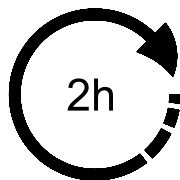
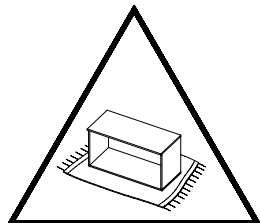
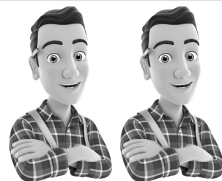
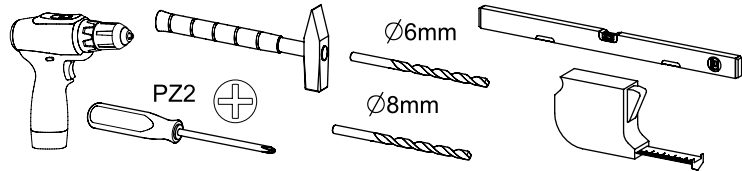


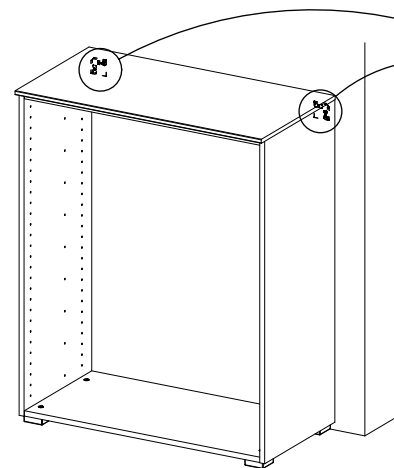
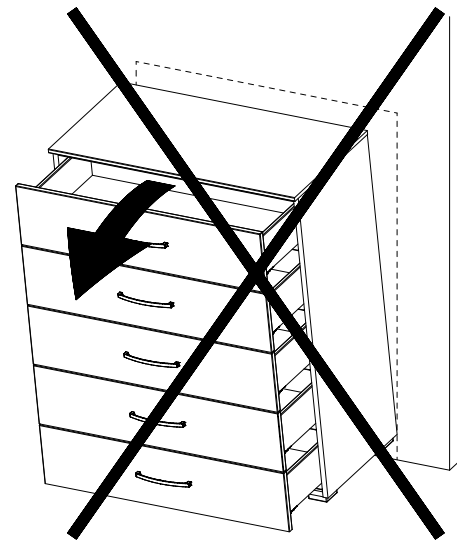
M3169_01



SK030

SK020

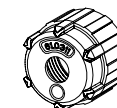
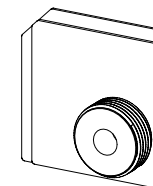
SK010



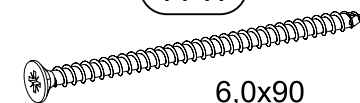
1091

1092

1093



1147



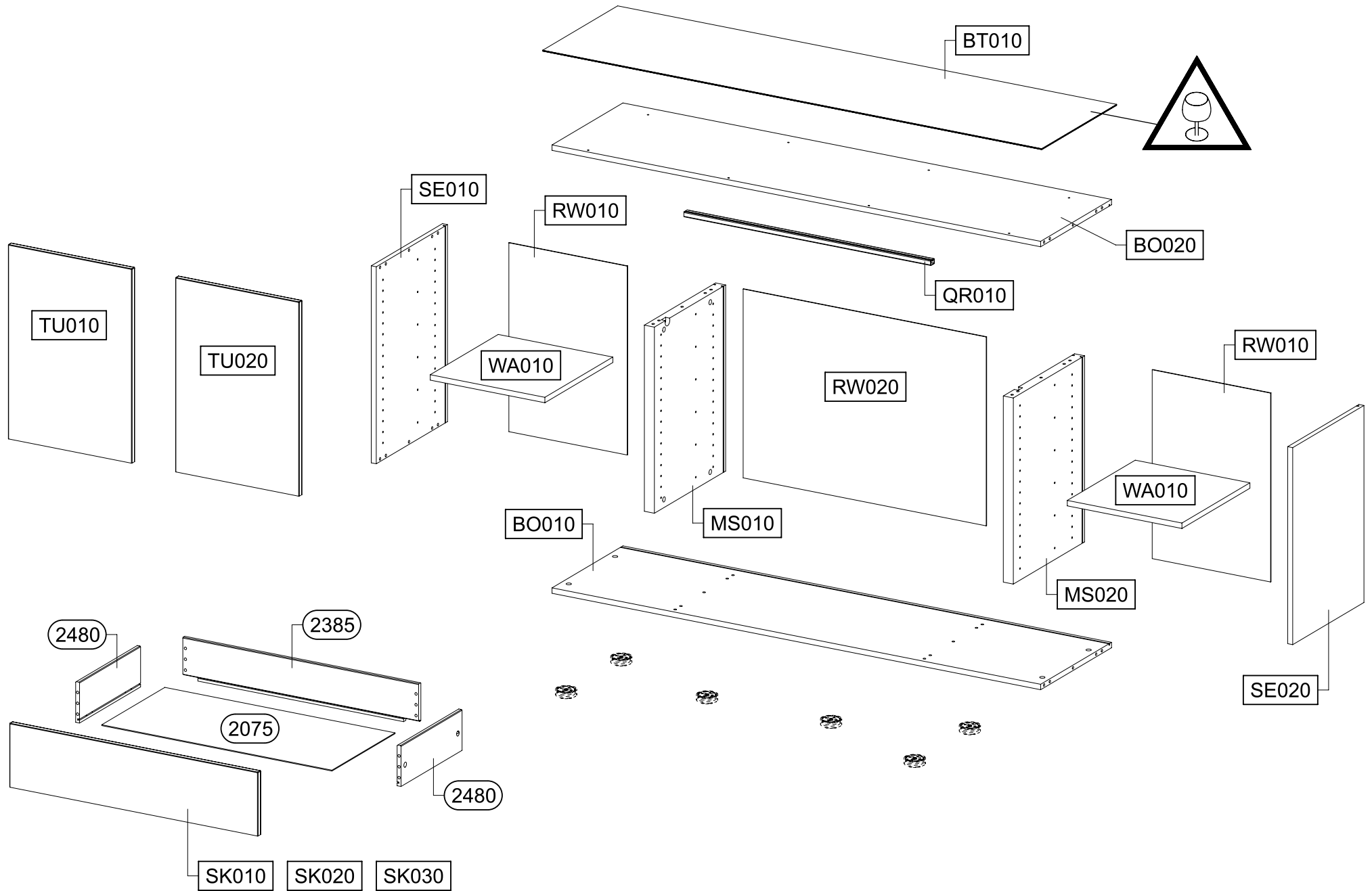
6,0x90




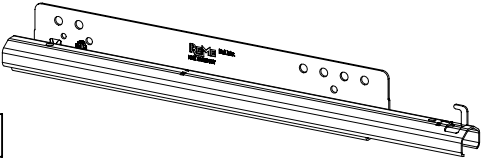

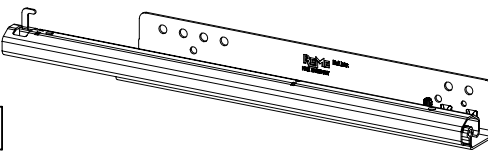
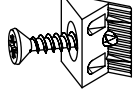


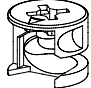
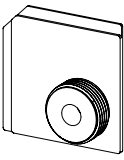
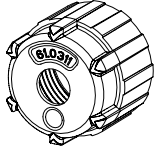

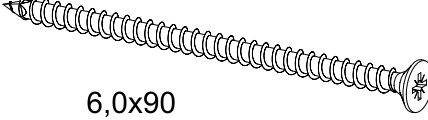

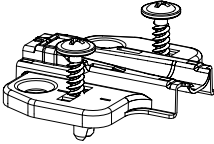
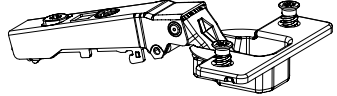
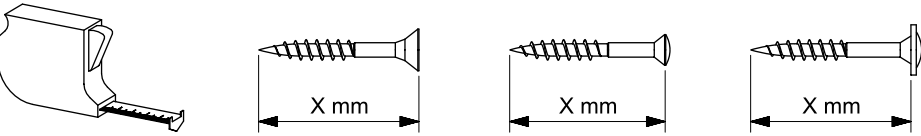


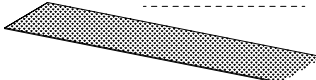
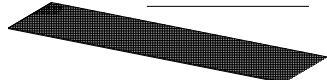
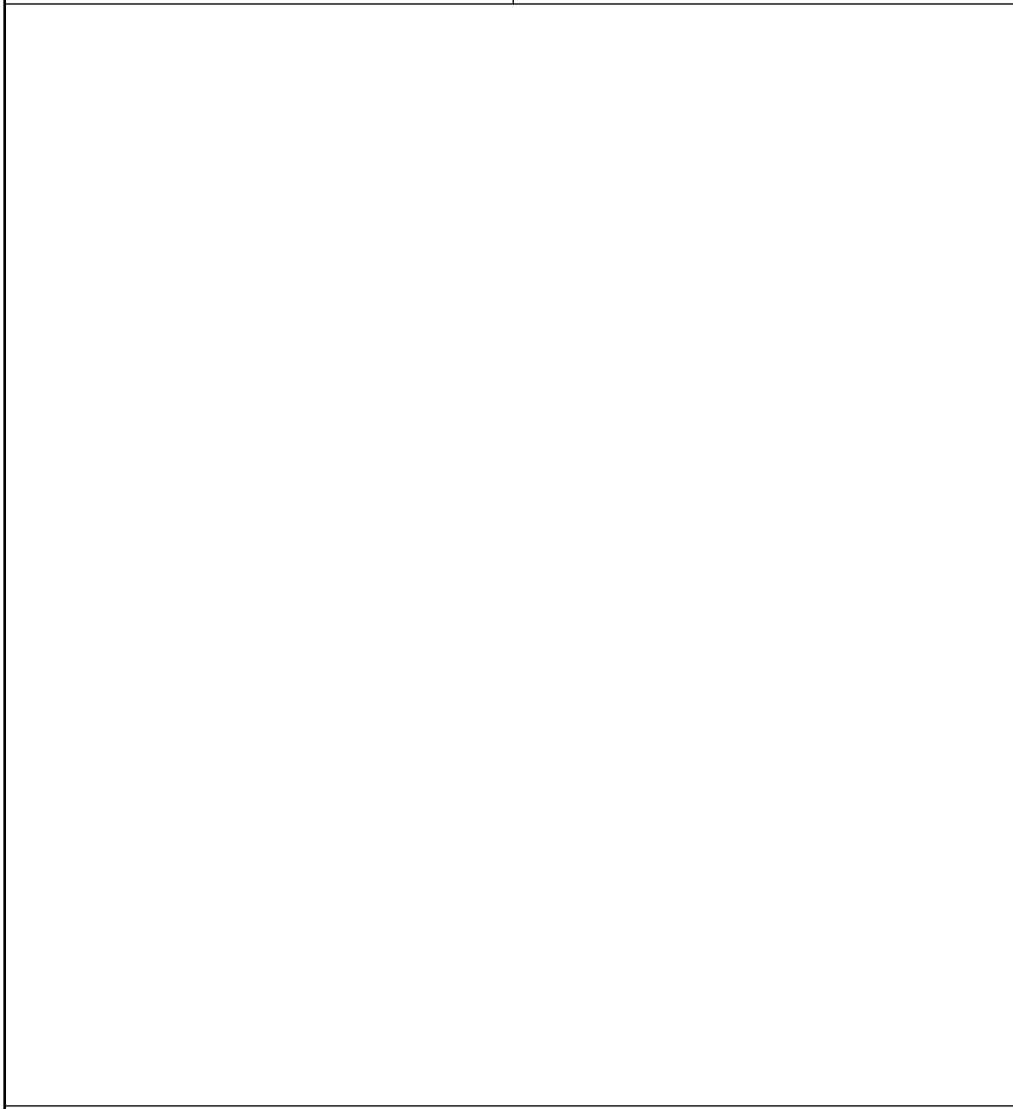
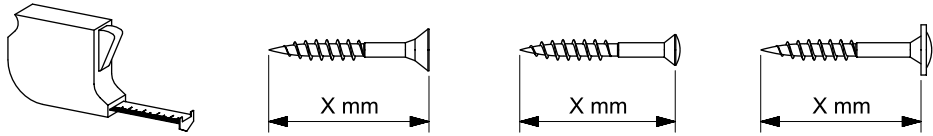
VIDEO

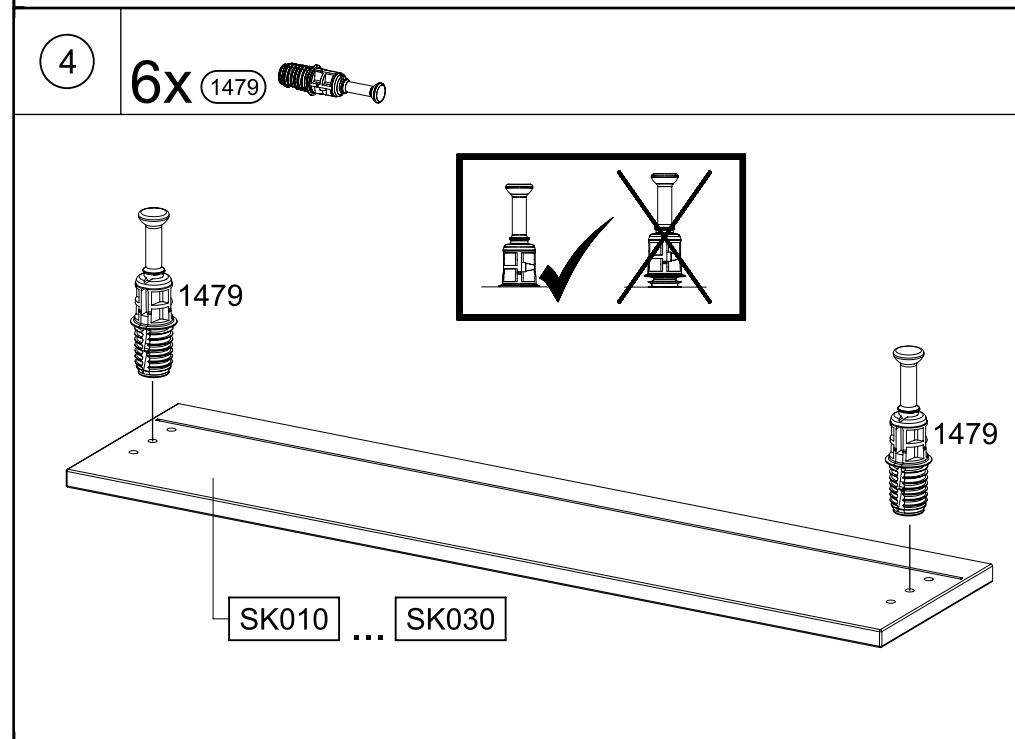
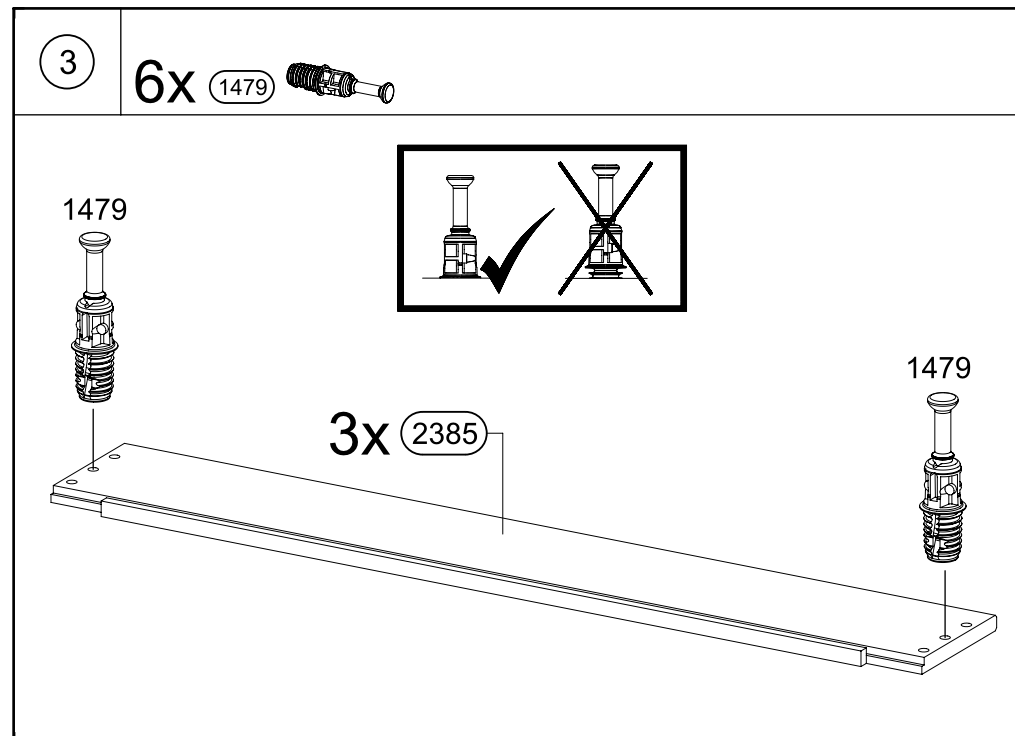
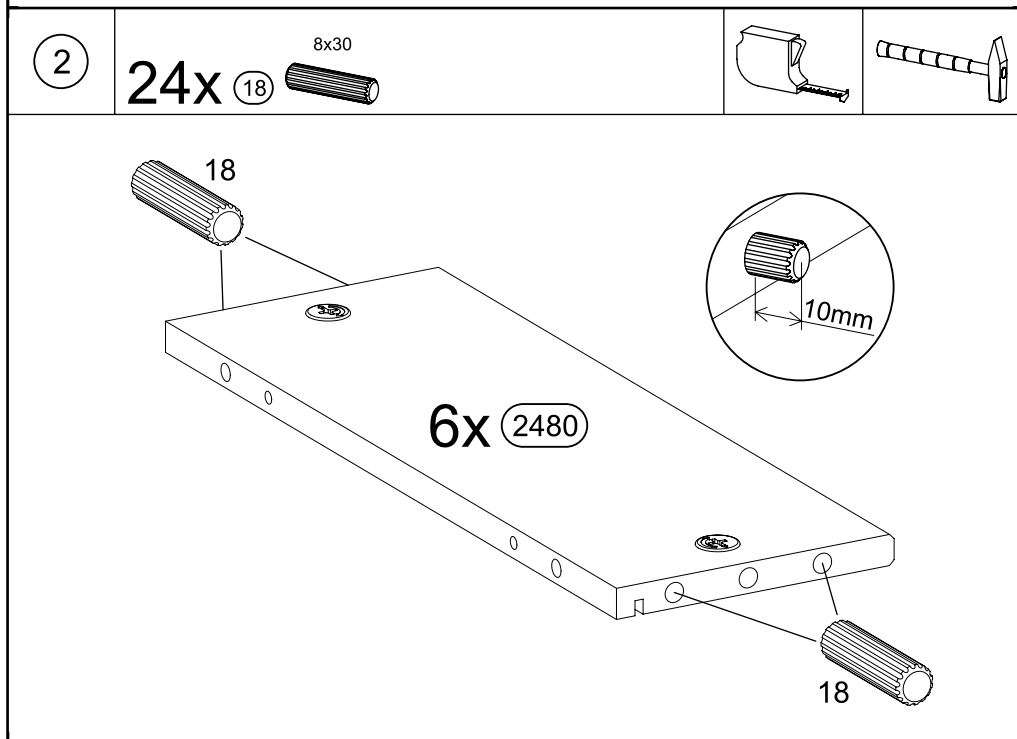
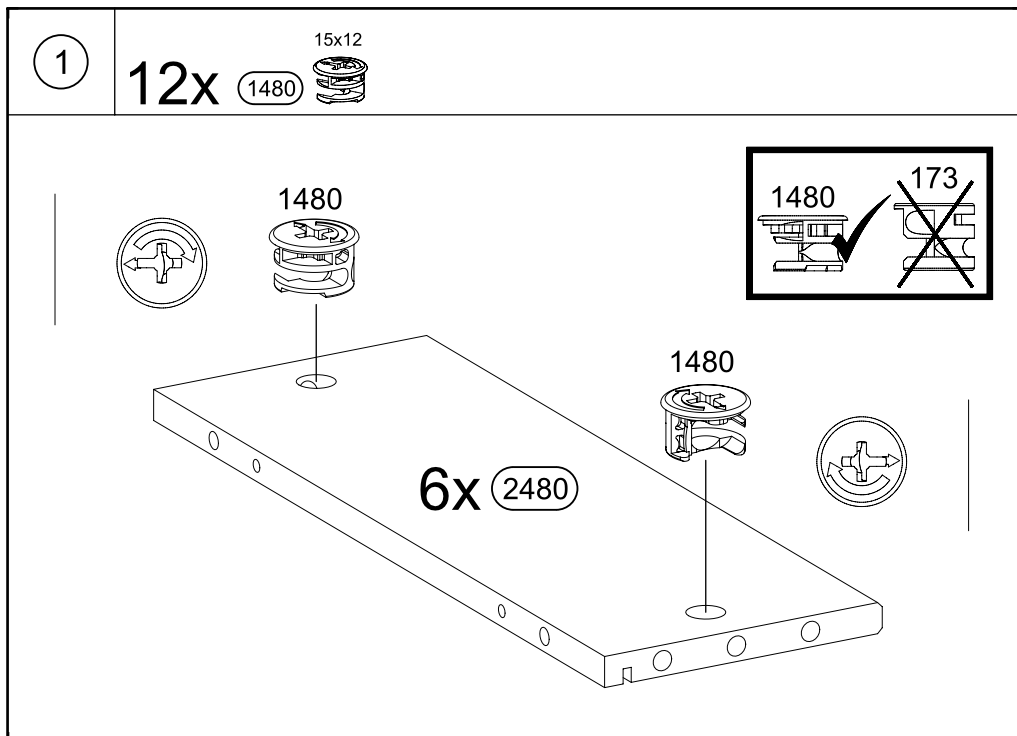


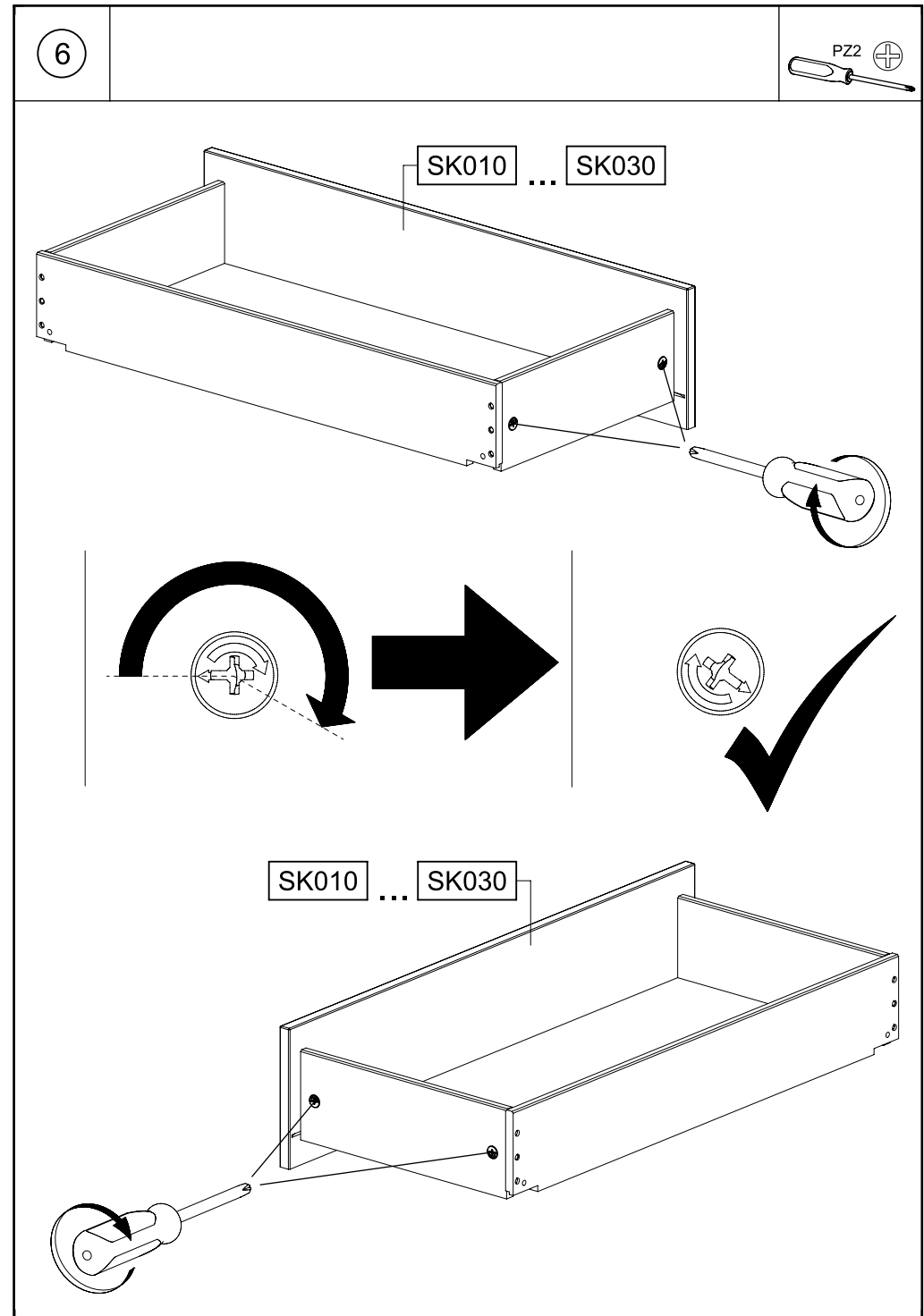
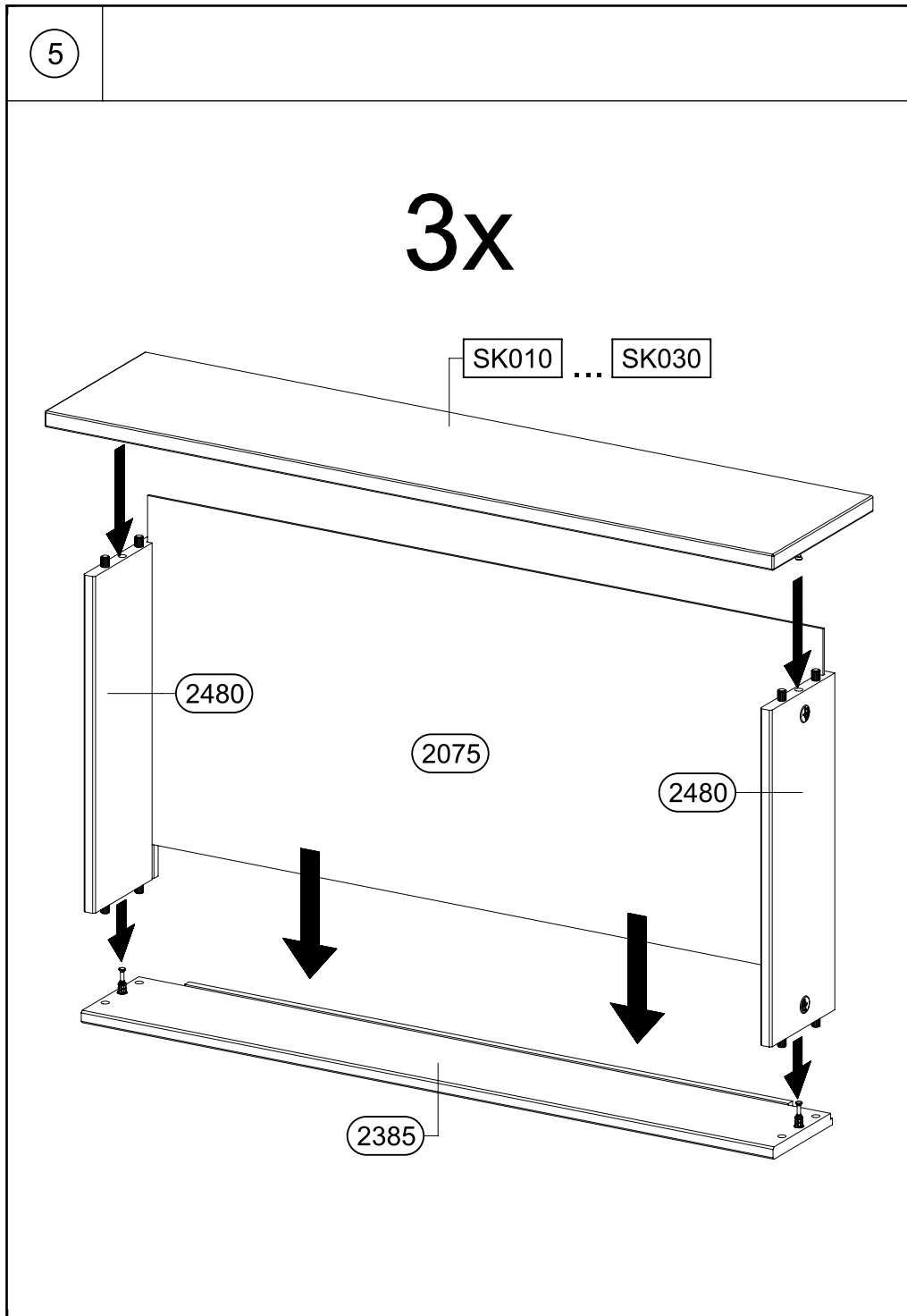
SCAN ME



<p>12x</p> <p>4x15</p> <p>836</p> 	<p>48x</p> <p>8x30</p> <p>18</p> 	<p>12x</p> <p>6,3x9</p> <p>792</p> 	
<p>3x</p> <p>UF010</p> 		<p>12x</p> <p>15x12</p> <p>1480</p> 	
<p>3x</p> <p>UF020</p> 		<p>12x</p> <p>45</p> 	
<p>28x</p> <p>1479</p> 	<p>6x</p> <p>852</p> 	<p>16x</p> <p>173</p> 	
<p>2x</p> <p>1091</p> 	<p>2x</p> <p>1092</p> 	<p>2x</p> <p>1093</p> 	
<p>2x</p> <p>1147</p> <p>6,0x90</p> 		<p>8x</p> <p>1089</p> 	
<p>4x</p> <p>1415</p> 	<p>4x</p> <p>1421</p> 		
			

<p>2x</p> <p>1406</p> 	<p>2x</p> <p>1407</p> 
	
	

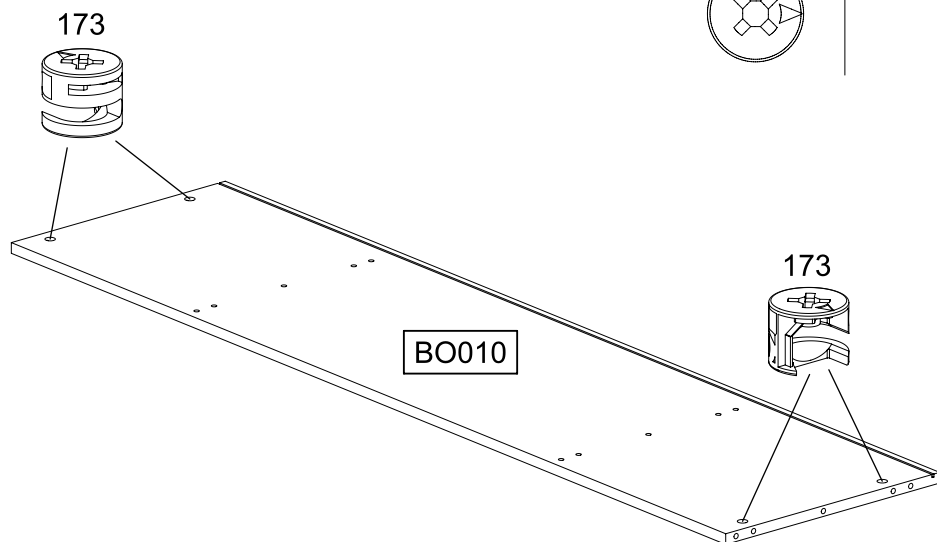
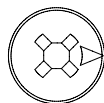
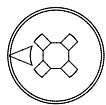
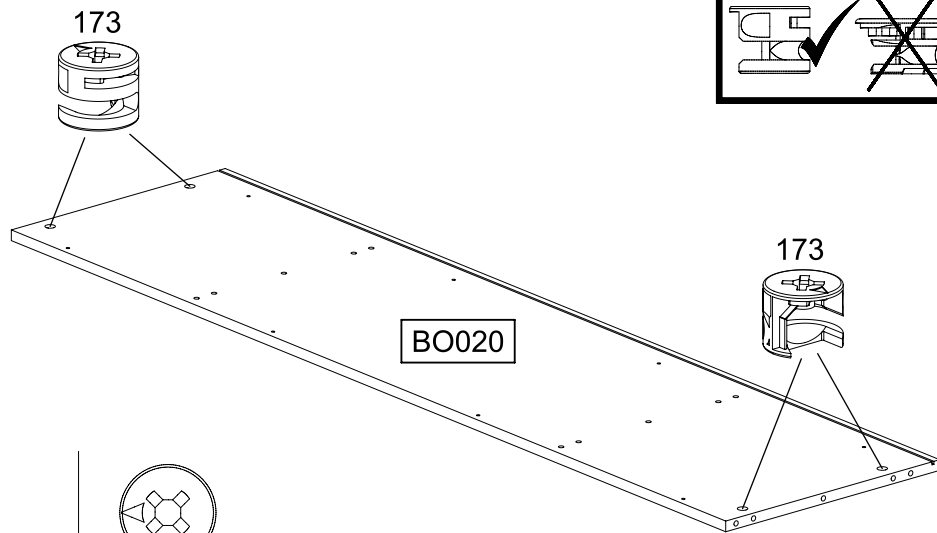
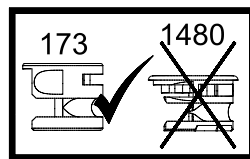




7

8x

173

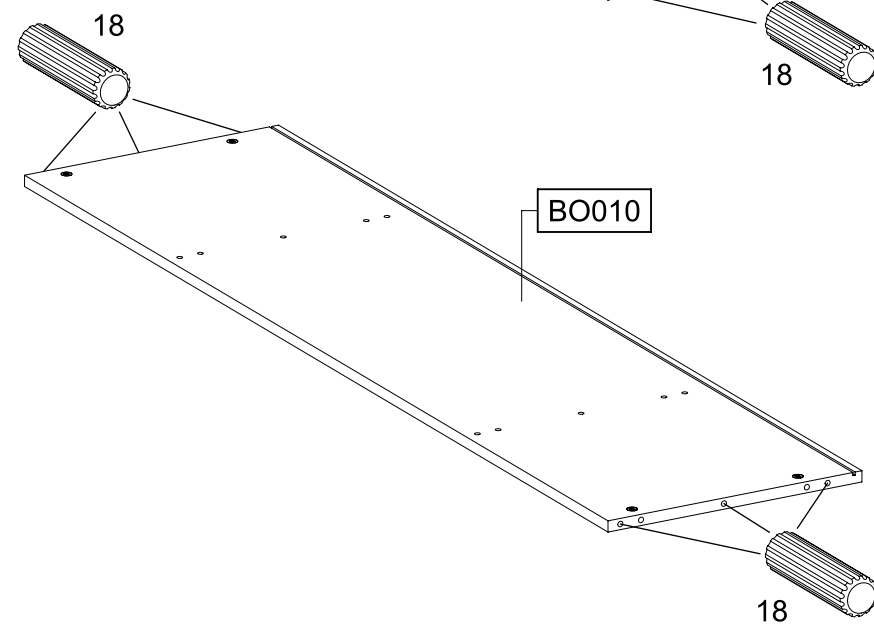
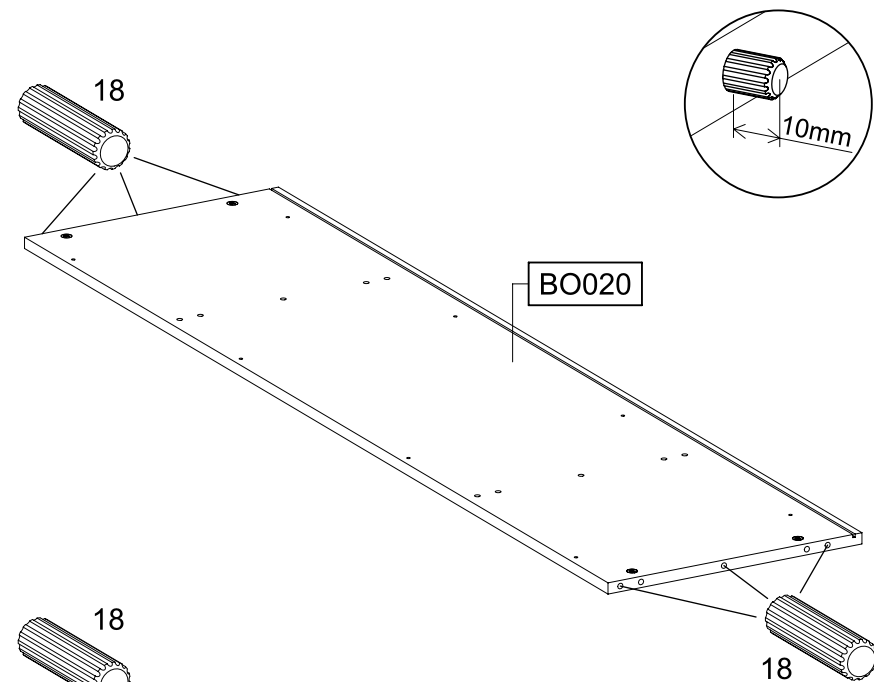
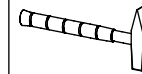
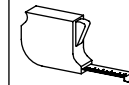


8

12x

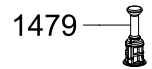
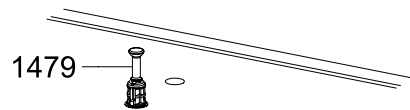
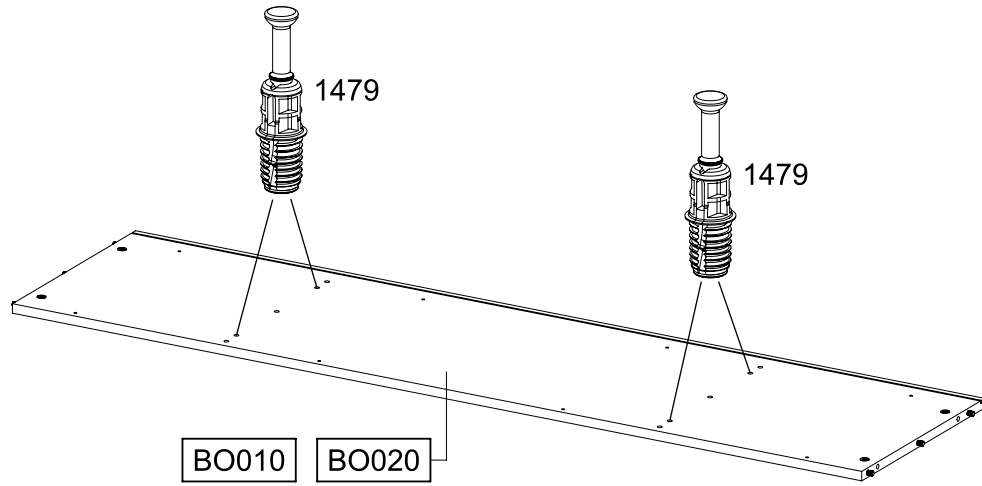
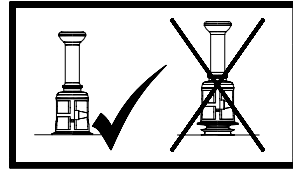
18

8x30




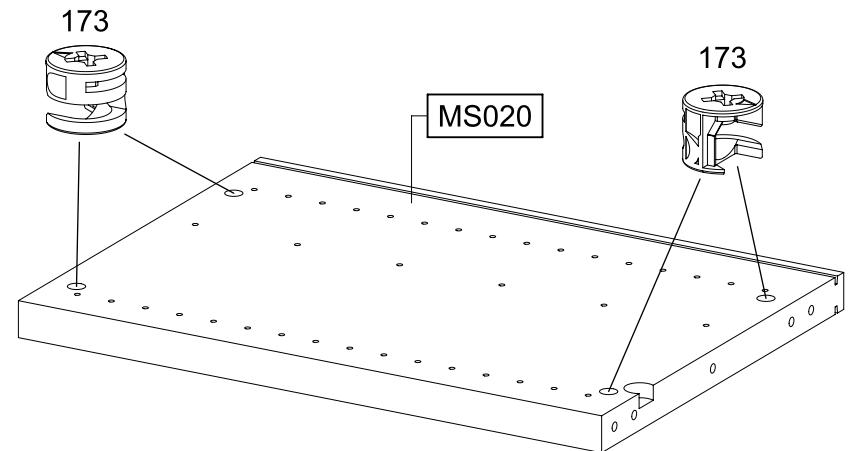
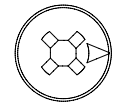
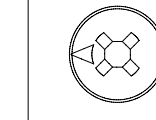
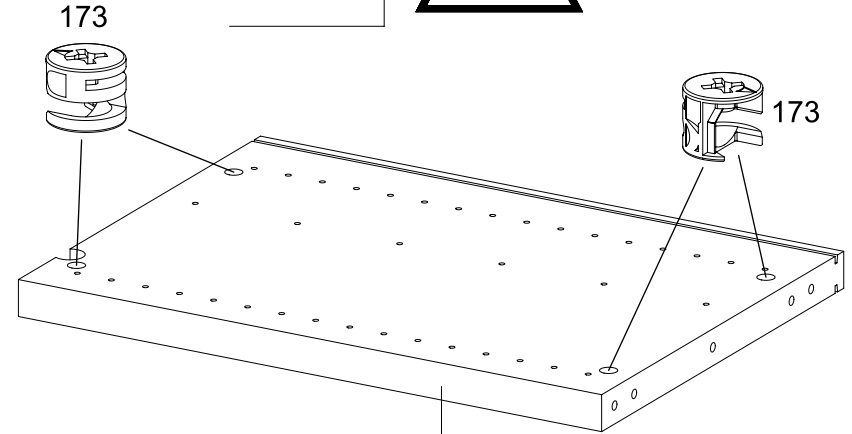
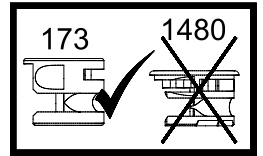
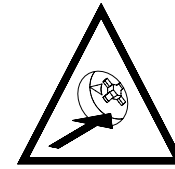
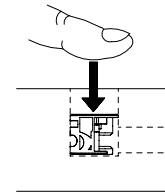
9

8x 1479 



10

8x 173 

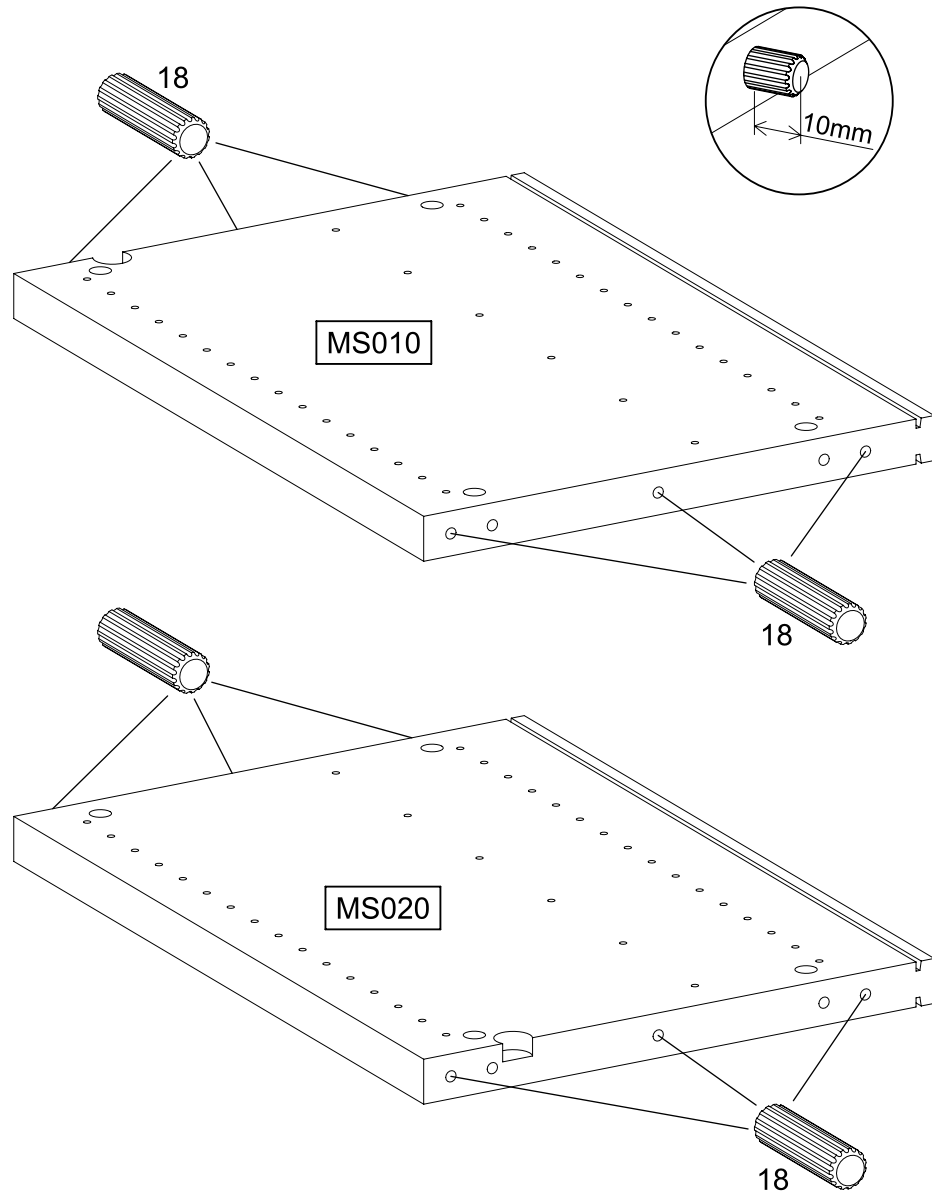
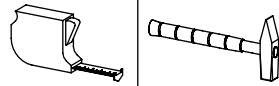


11

12x

18

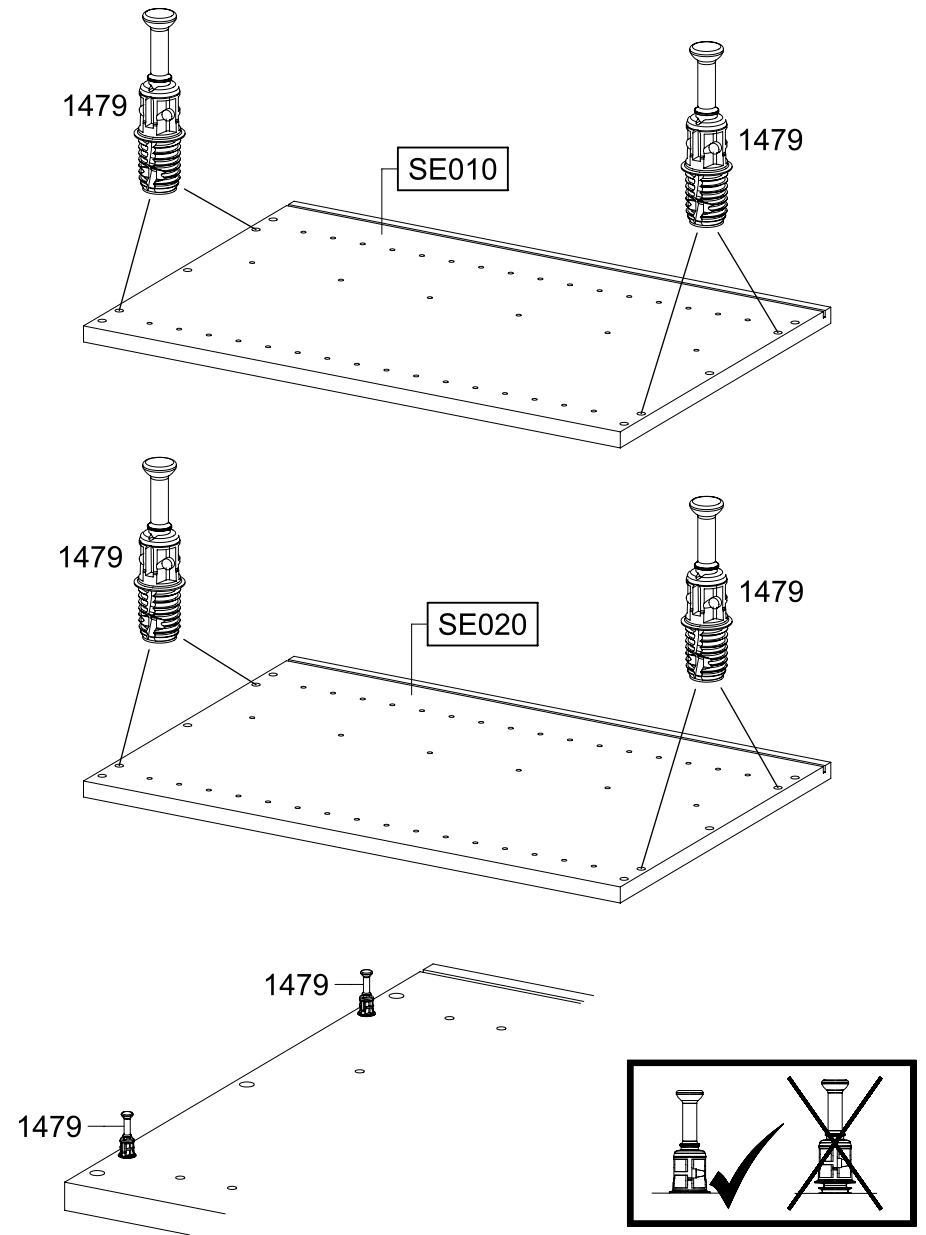
8x30



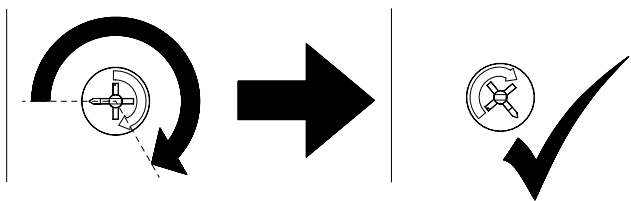
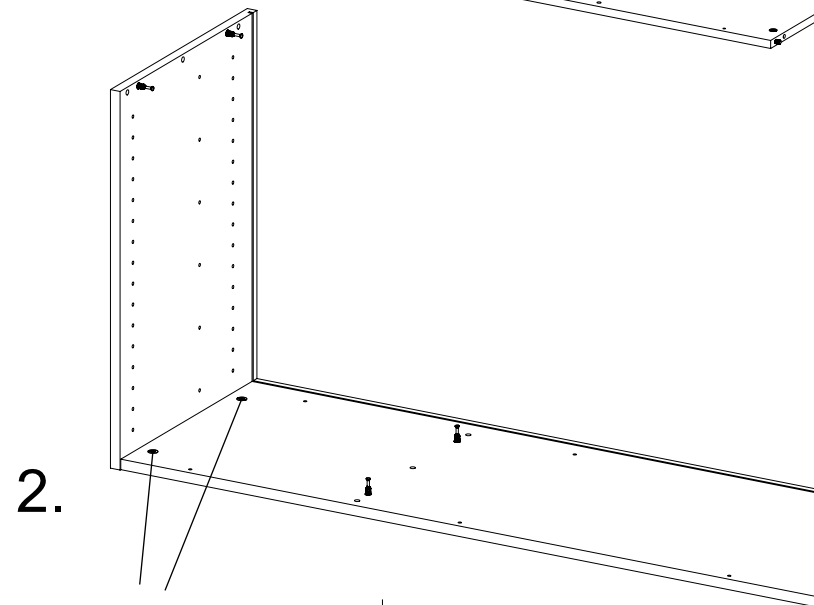
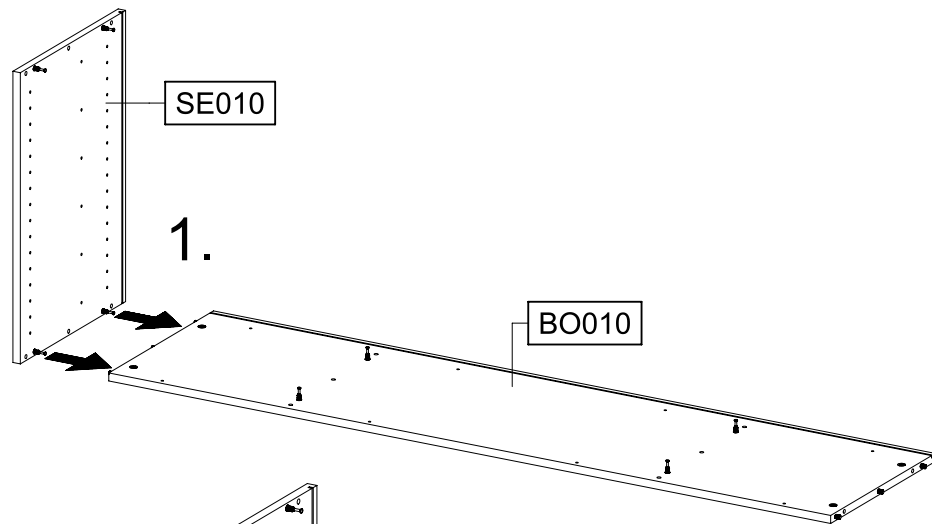
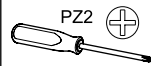
12

8x

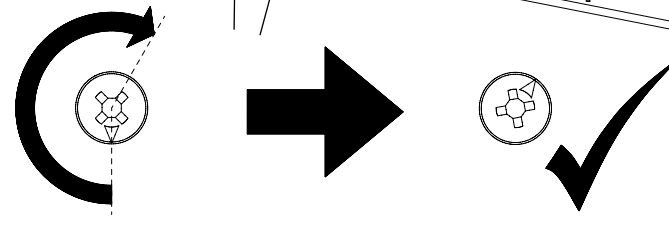
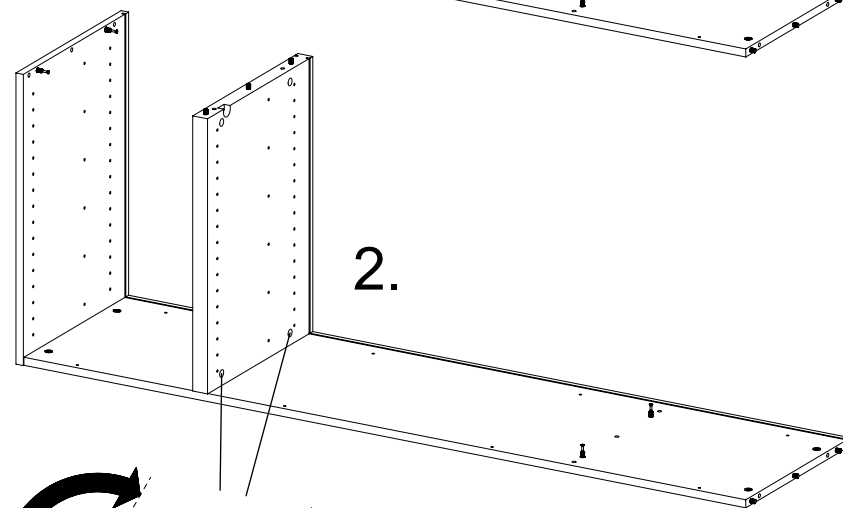
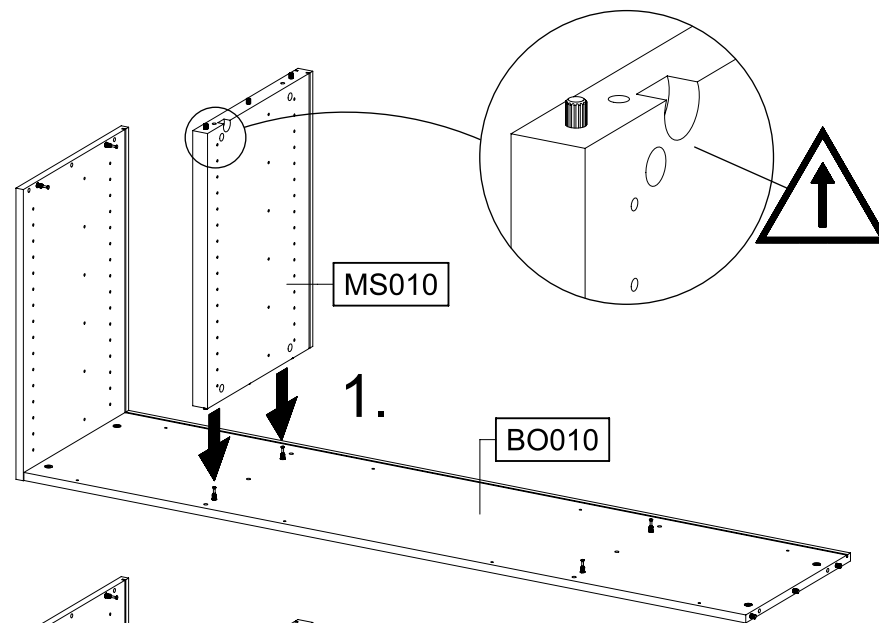
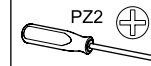
1479

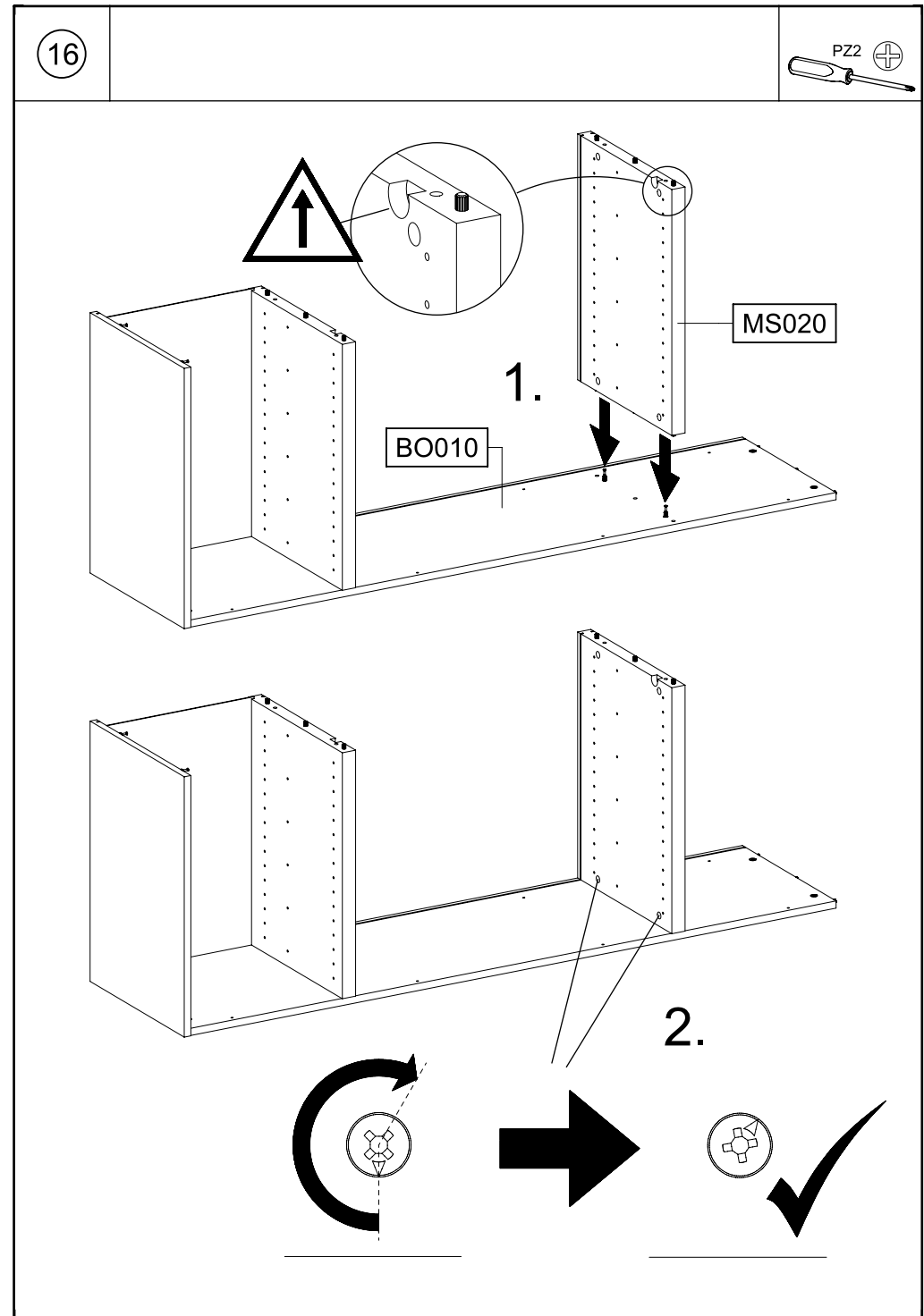
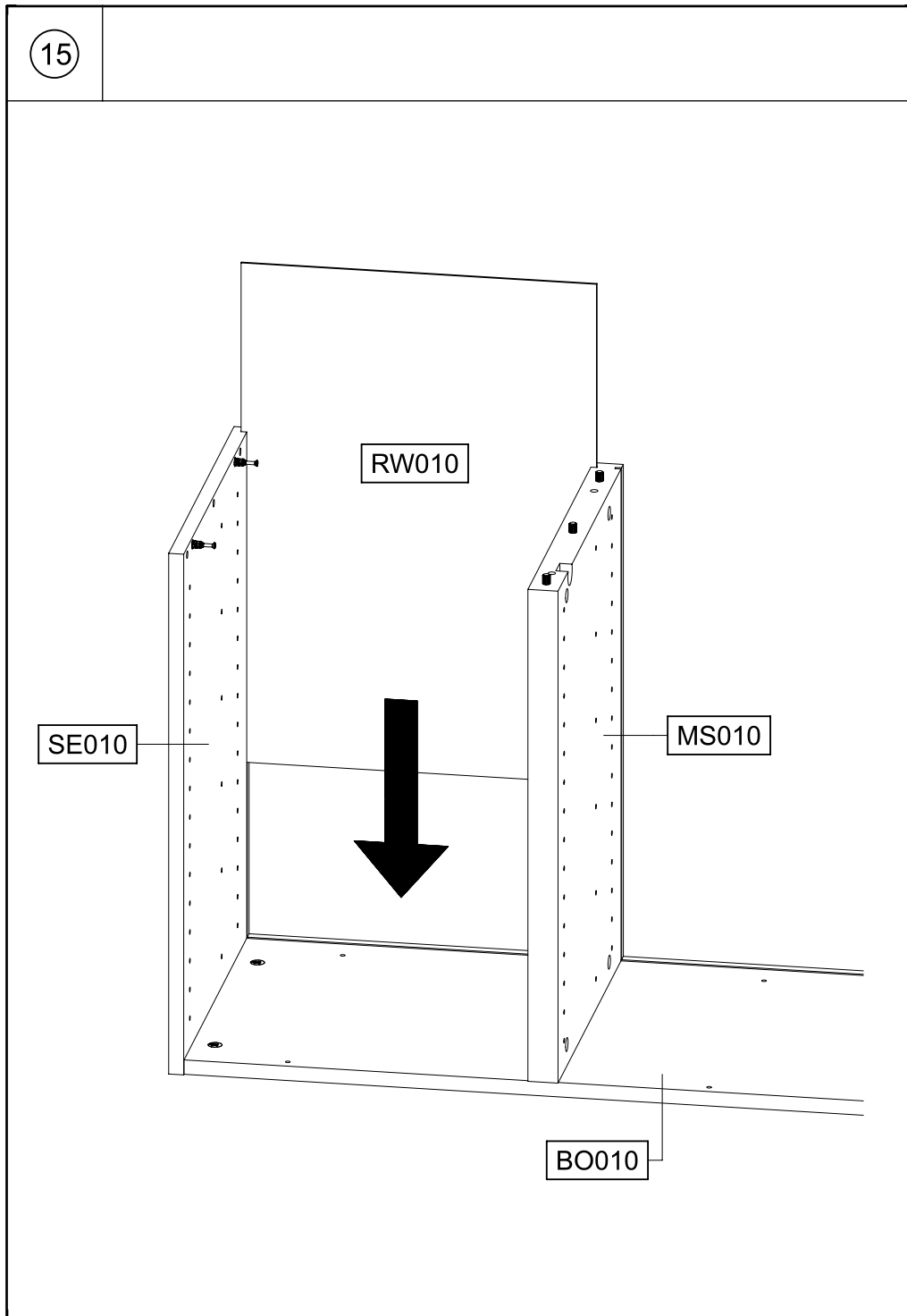


13

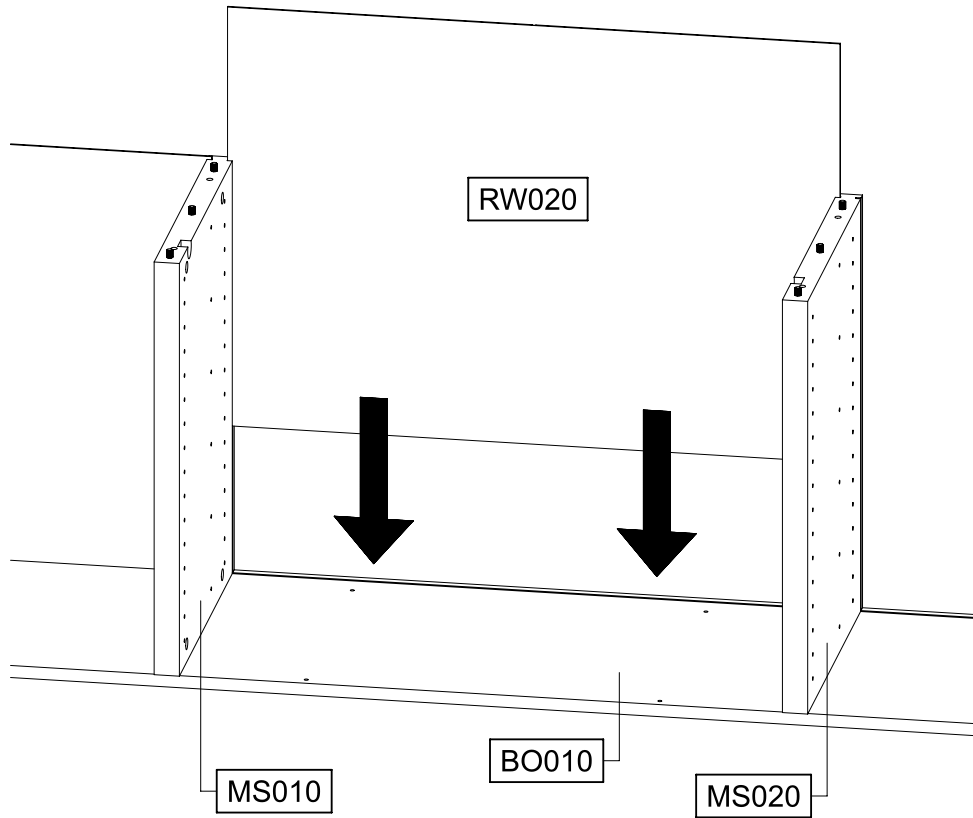


14

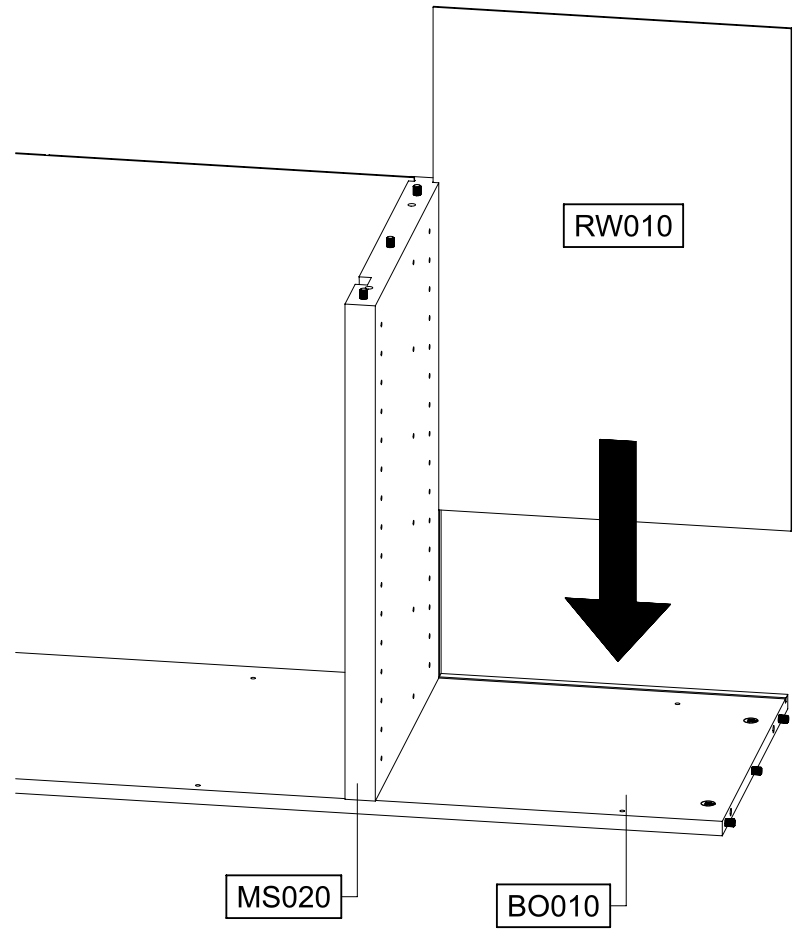




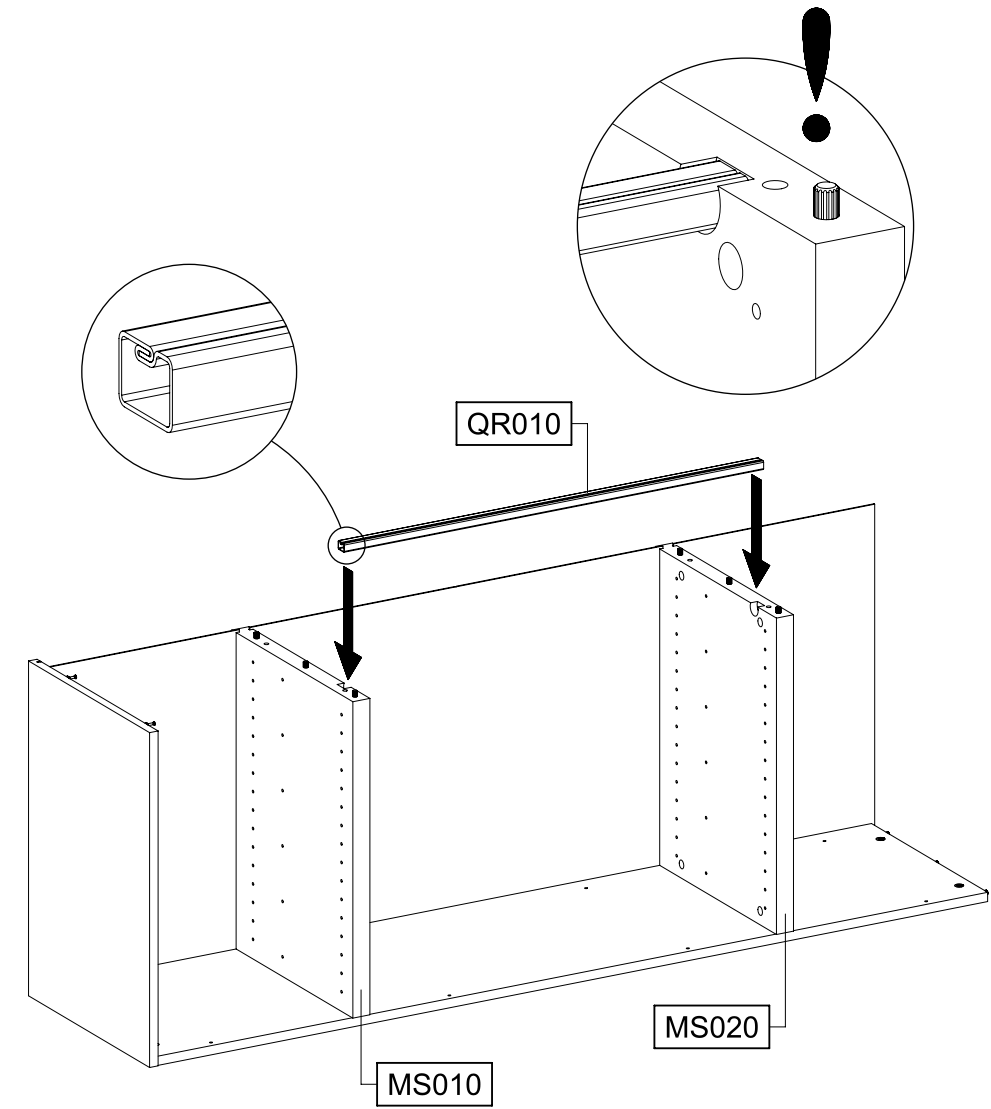
17



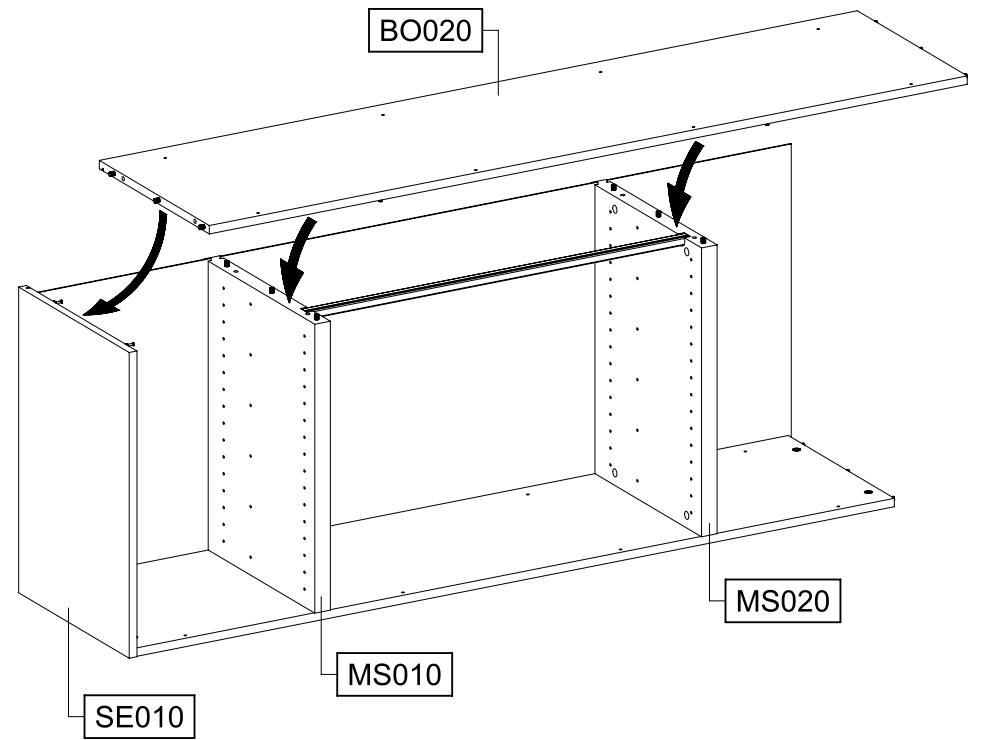
18



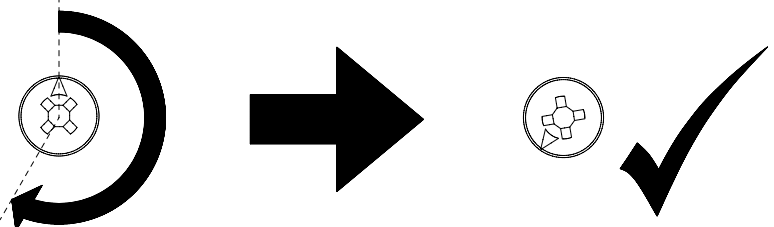
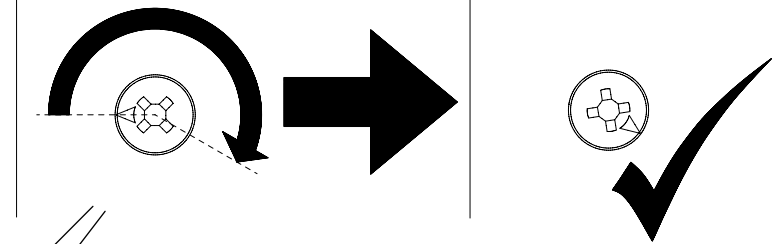
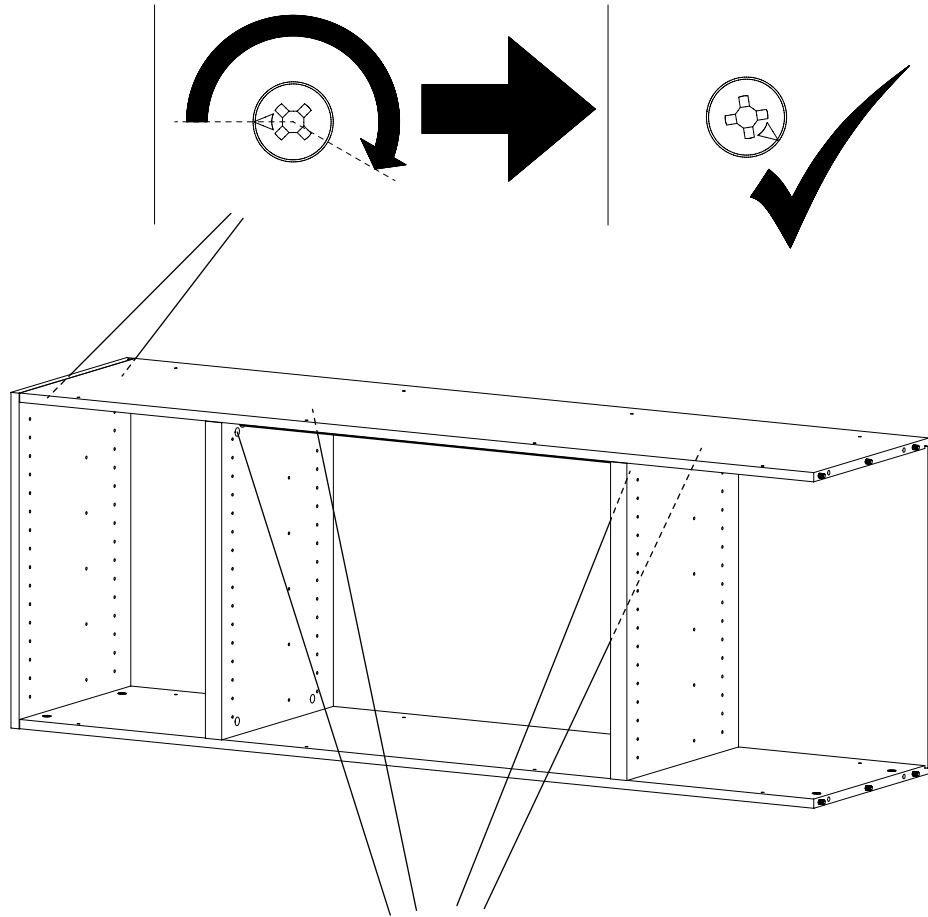
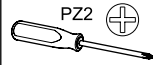
19



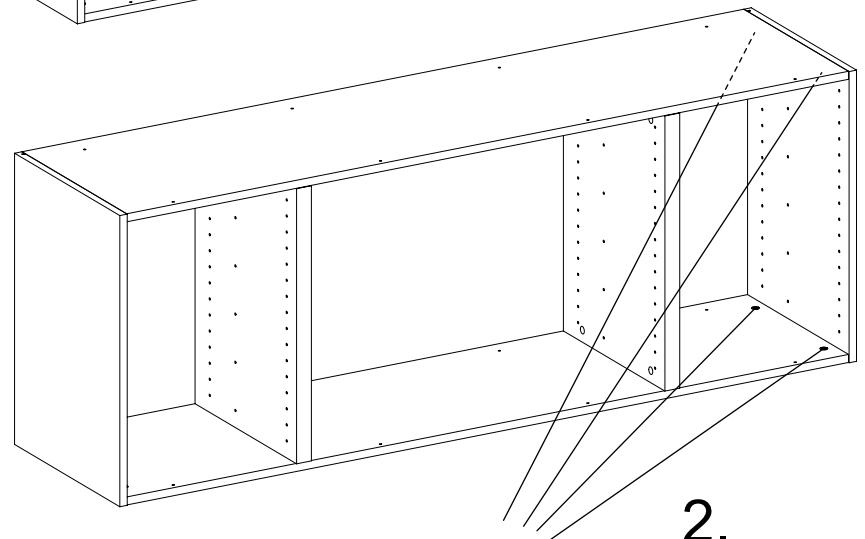
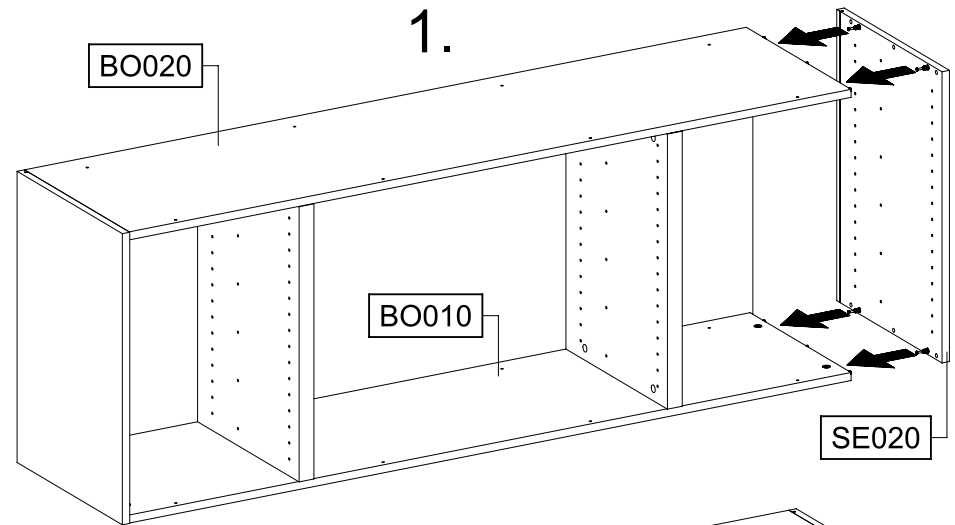
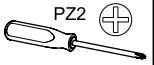
20



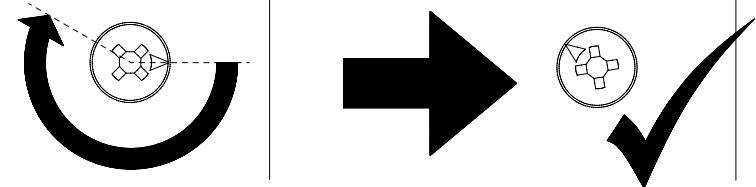
21



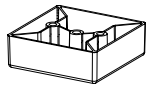
22



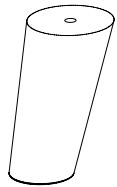
2.



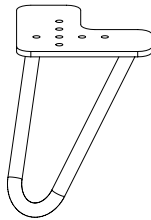
23



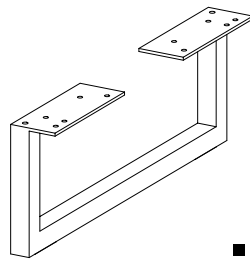
1207



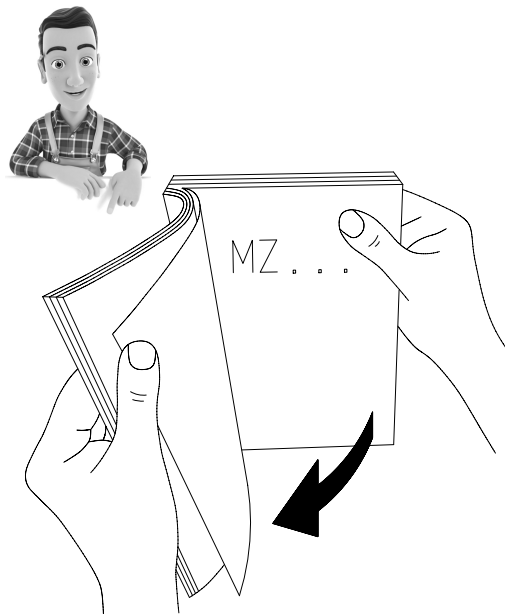
1481



1345

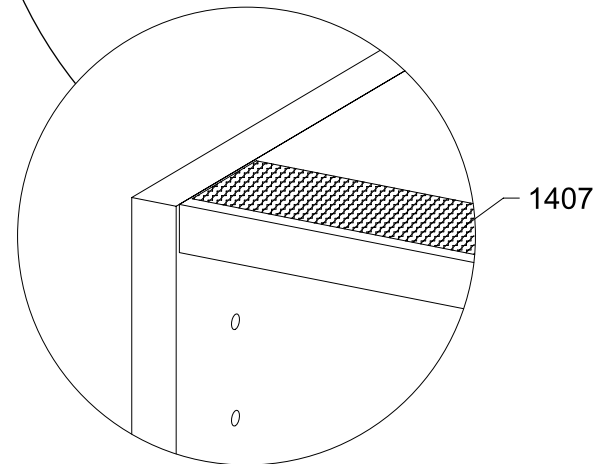
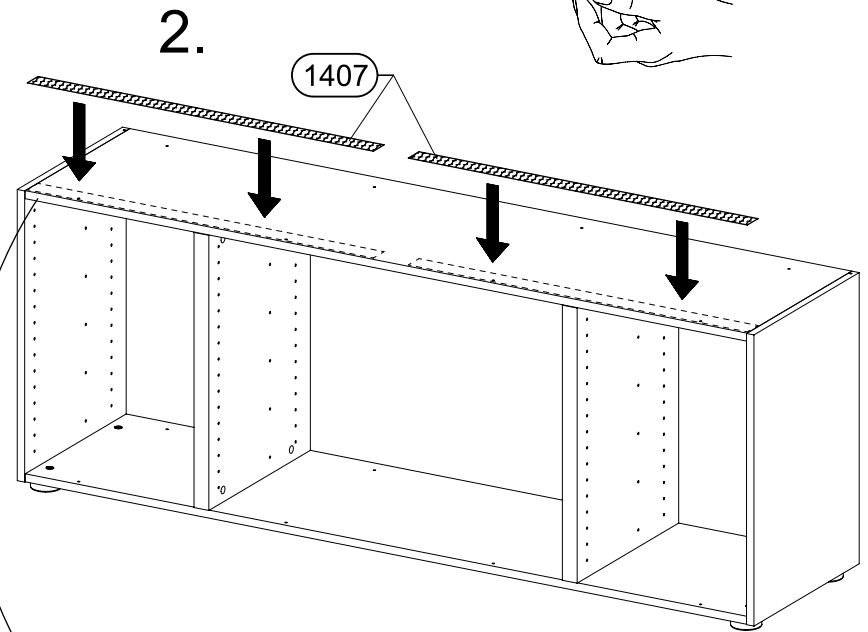
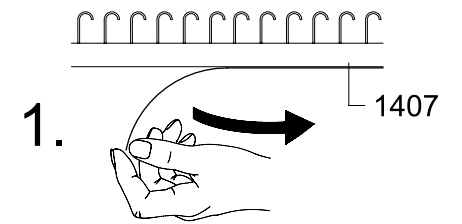


1348



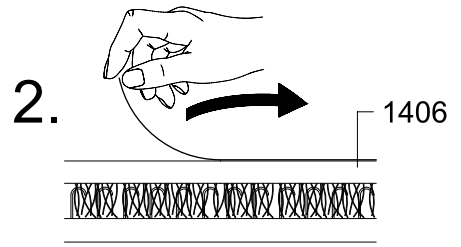
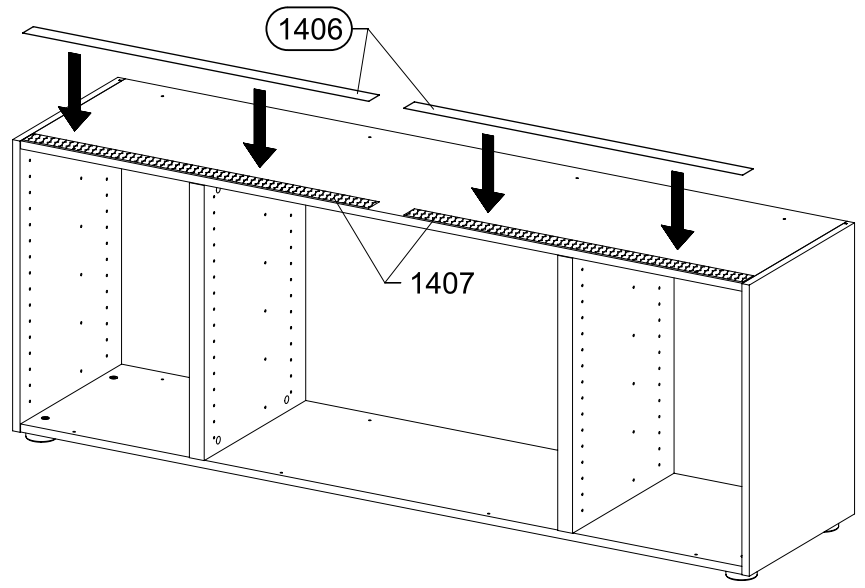
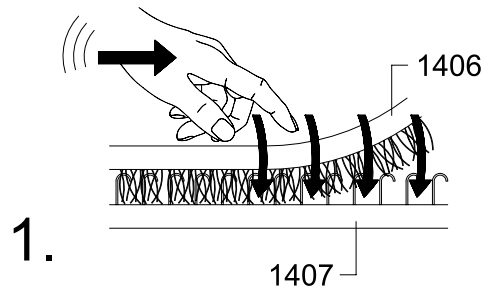
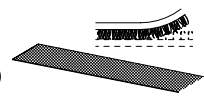
24

2x 1407

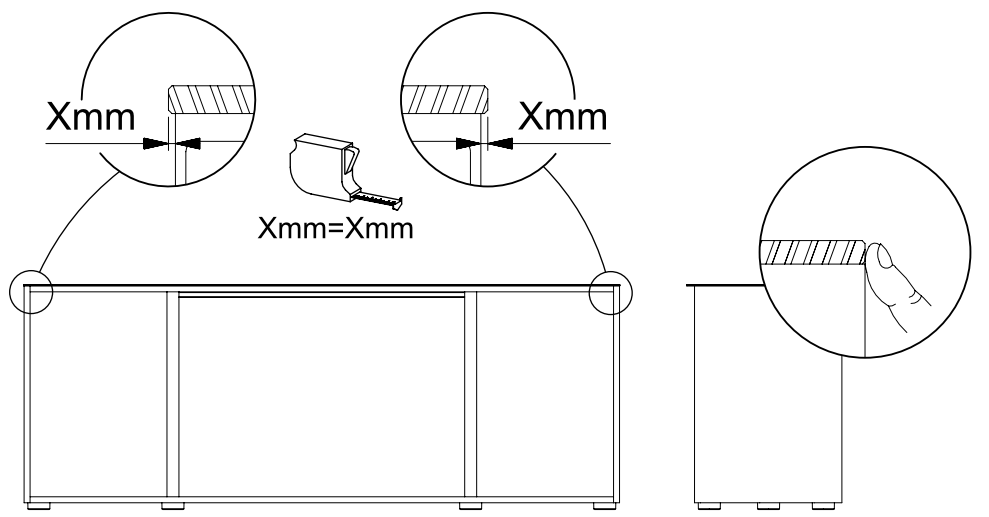
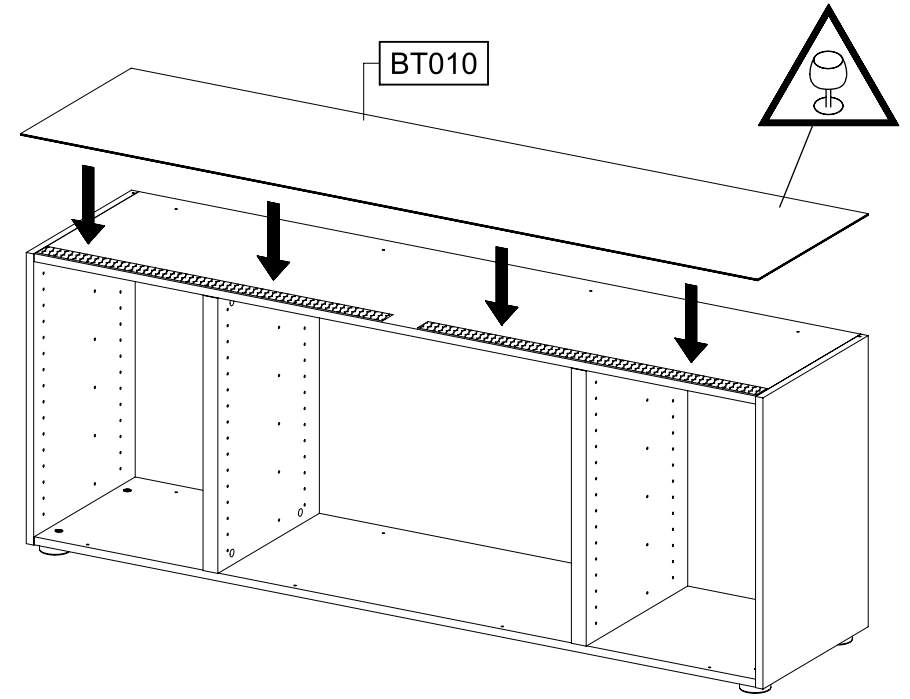
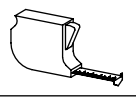


25

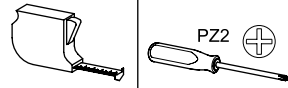
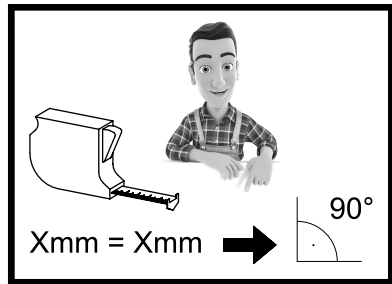
2x 1406



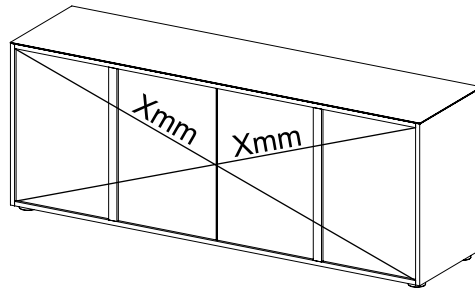
26



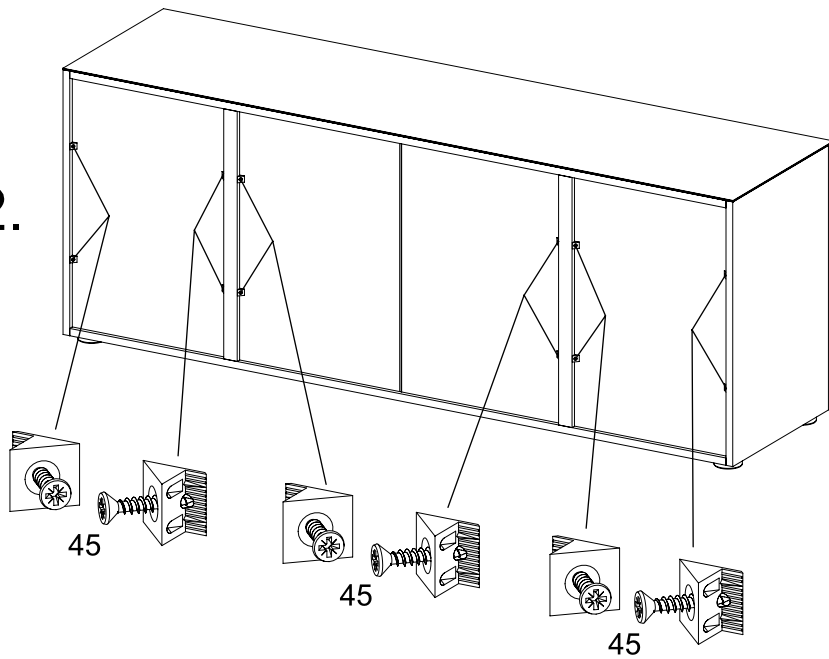
27

12x 45 PZ2 

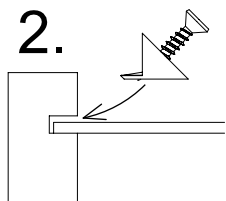
1.



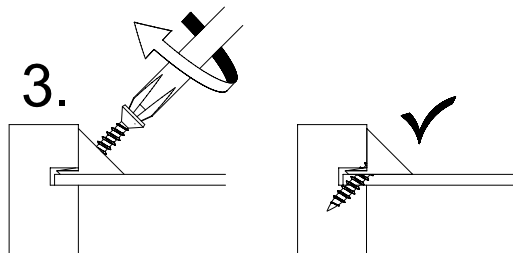
2.



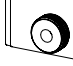
2.



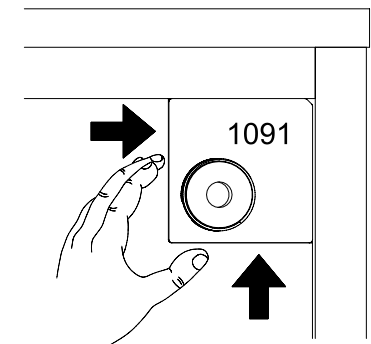
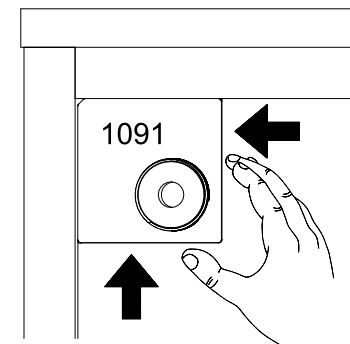
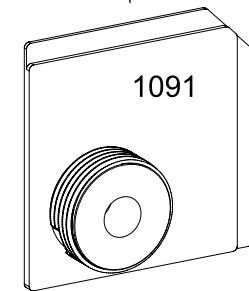
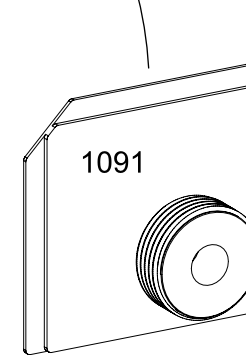
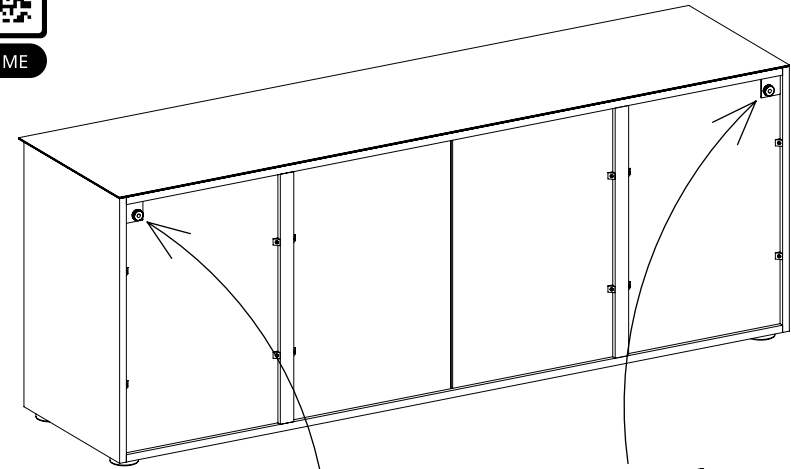
3.



28

2x 1091 

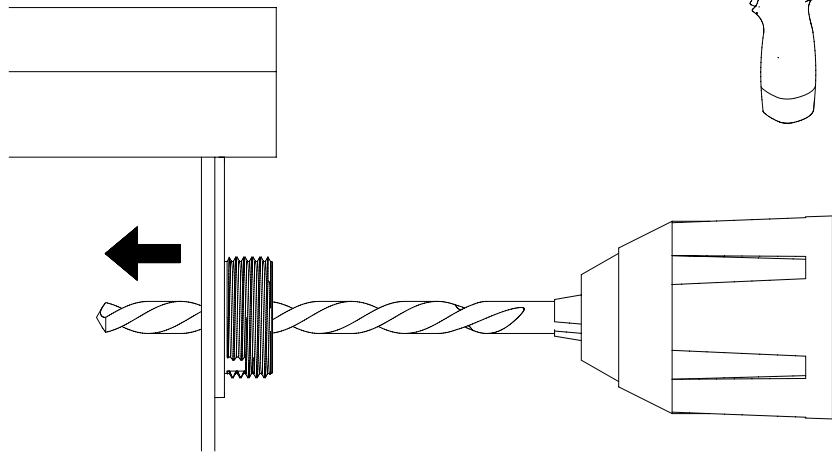
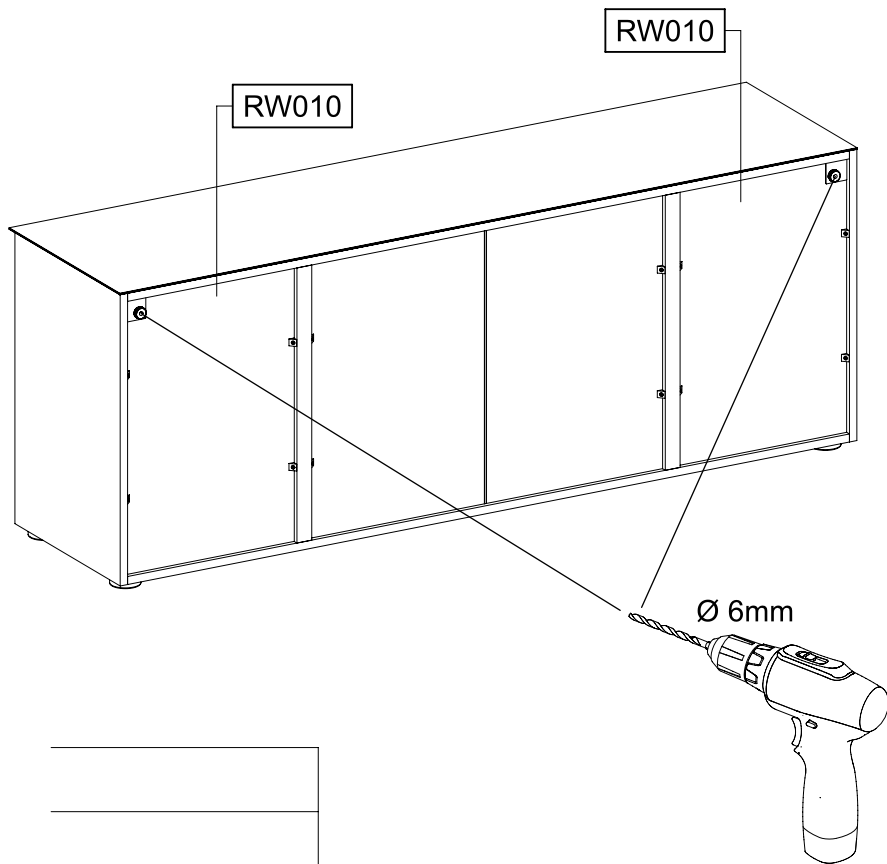
SCAN ME



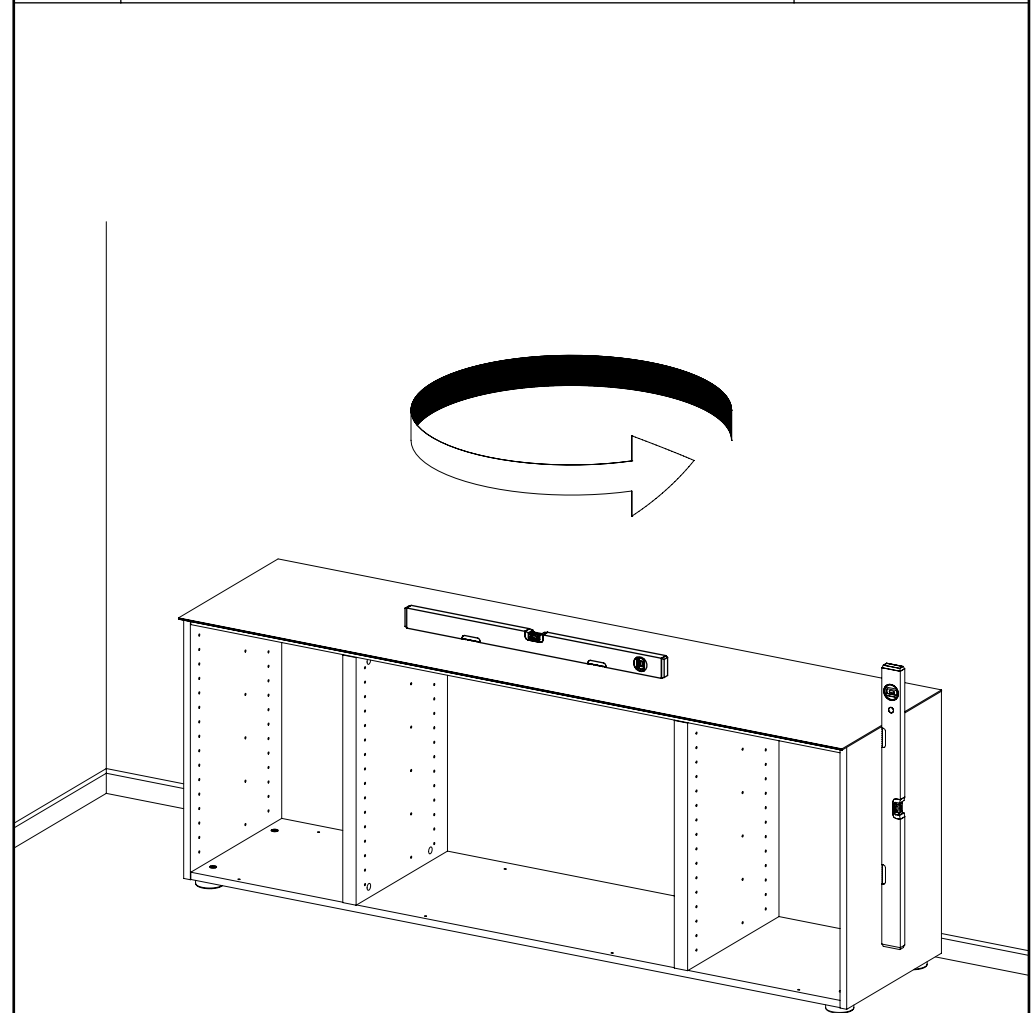
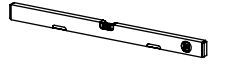
29



Ø6mm



30



31

2x

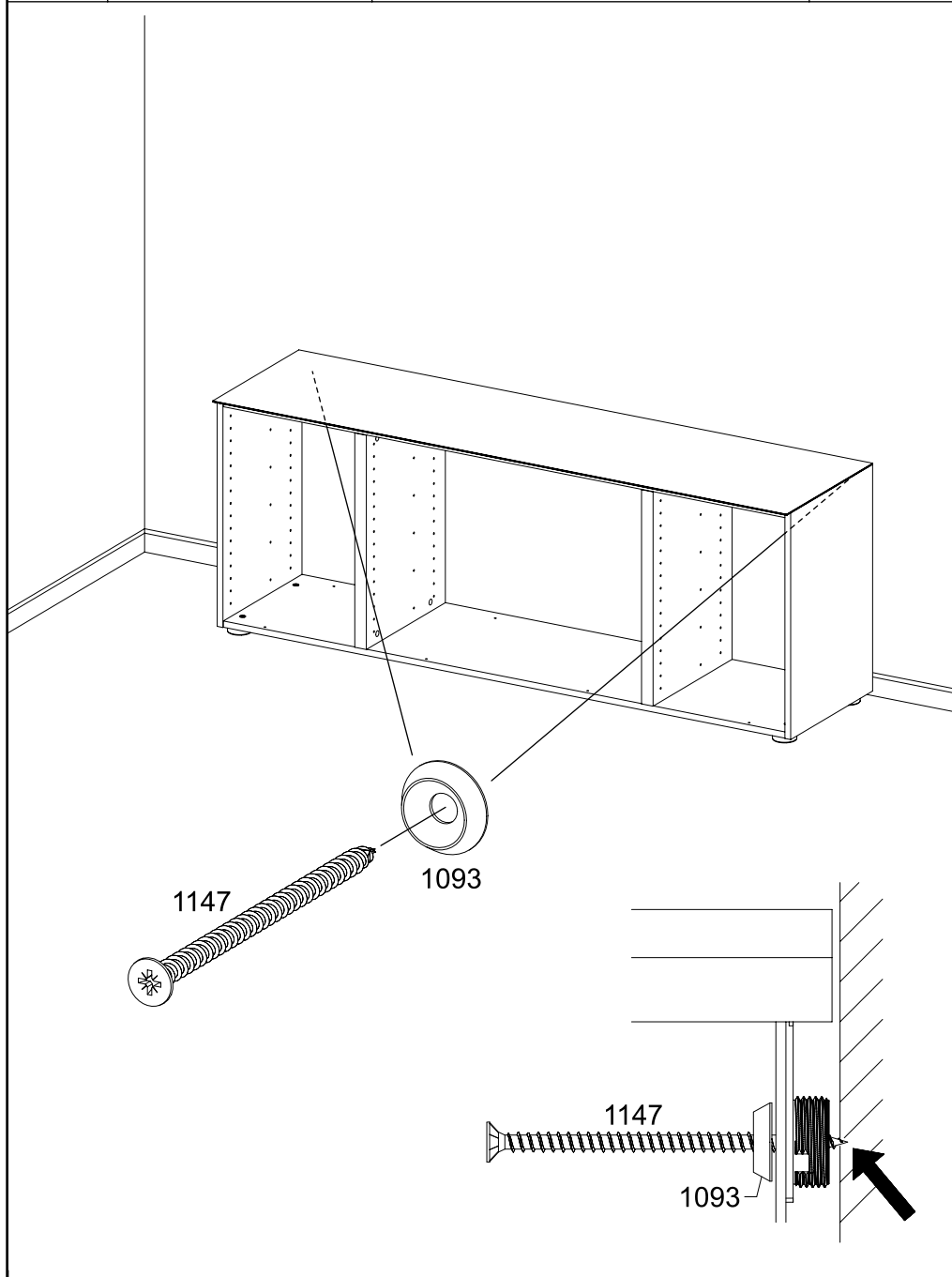
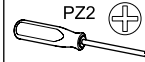
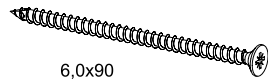
1093



2x

1147

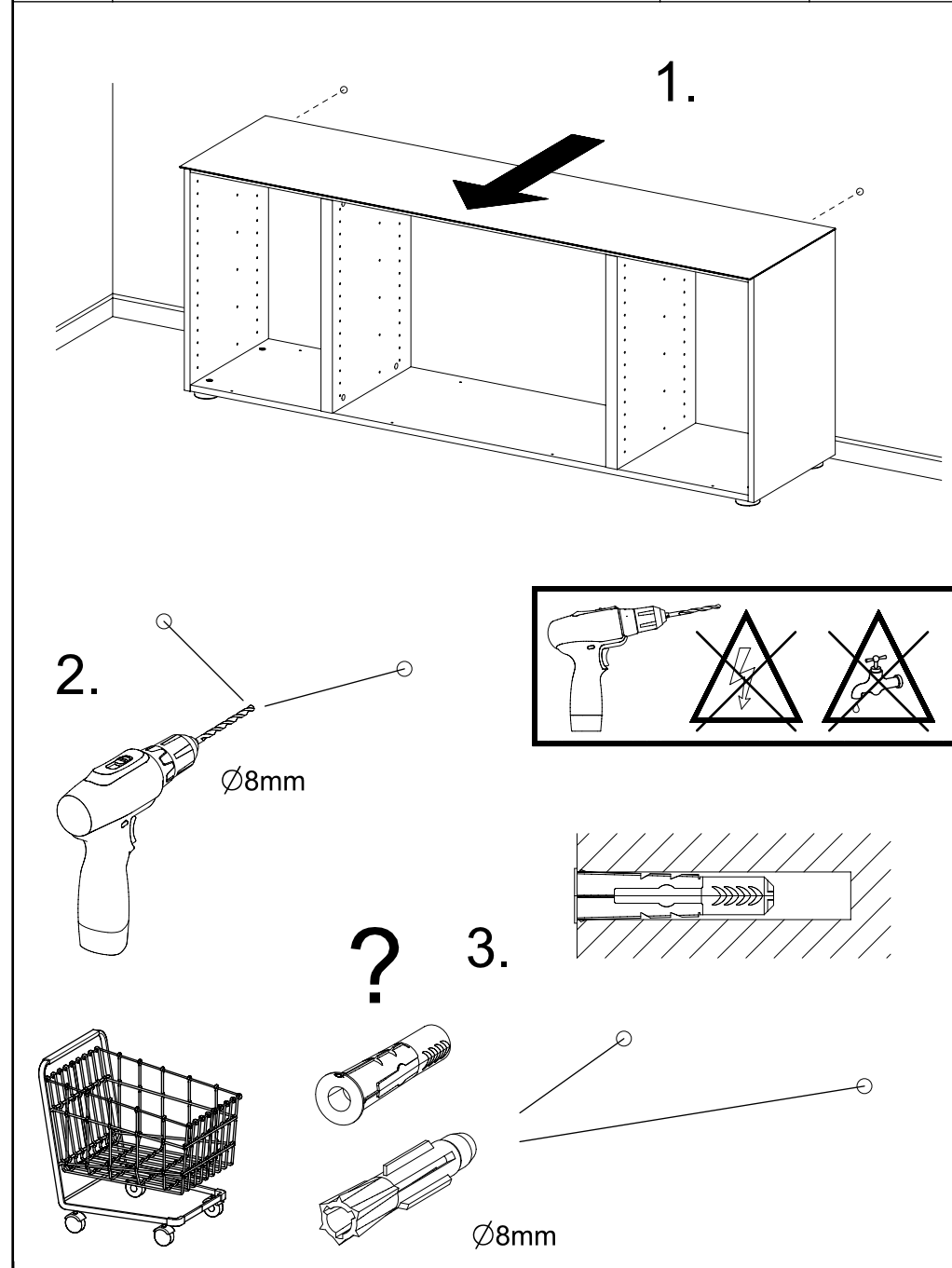
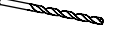
6,0x90



32

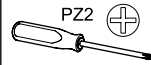


Ø8mm

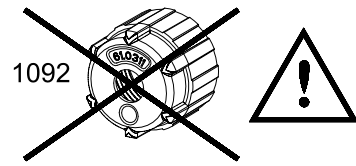
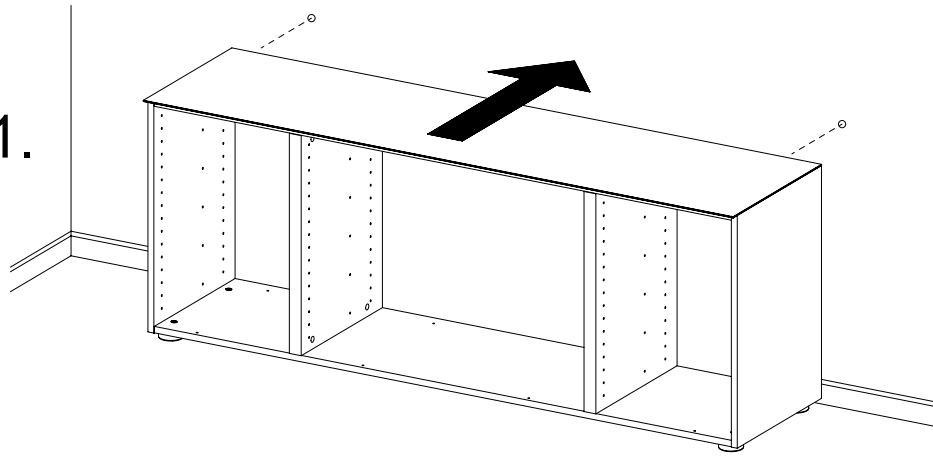


33

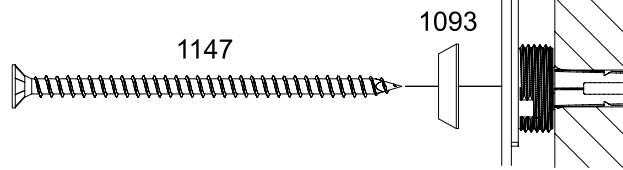
2x 1092



1.



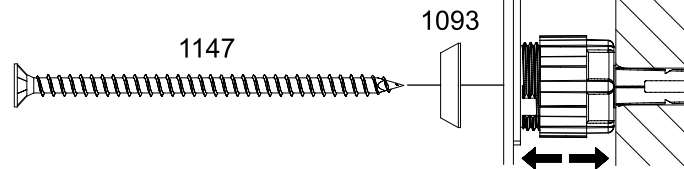
2.



10-15mm



2.

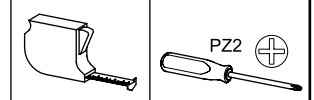
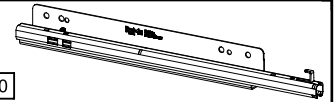


34

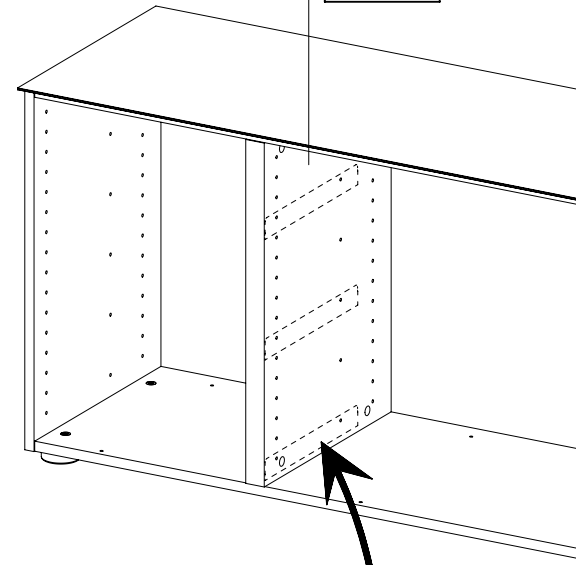
6x 792 6,3x9

6x 836 4x15

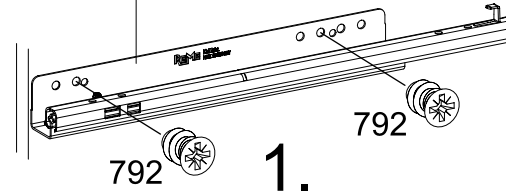
3x UF010



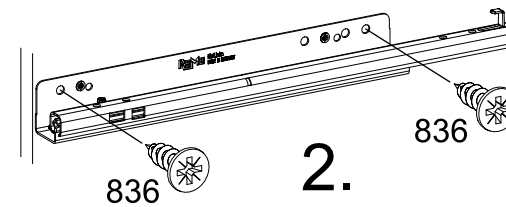
MS010



UF010



1.

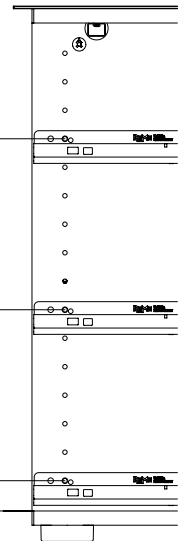


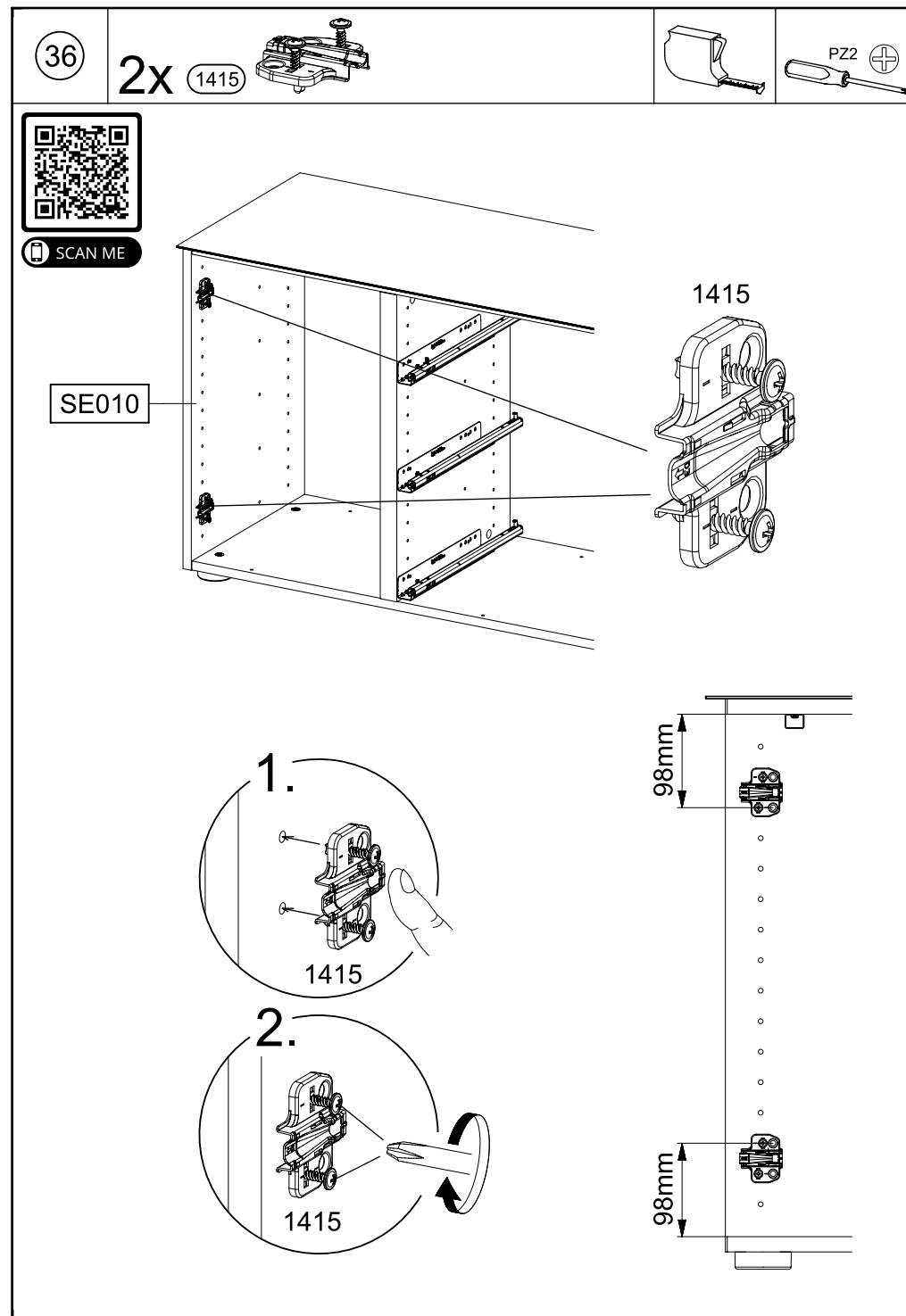
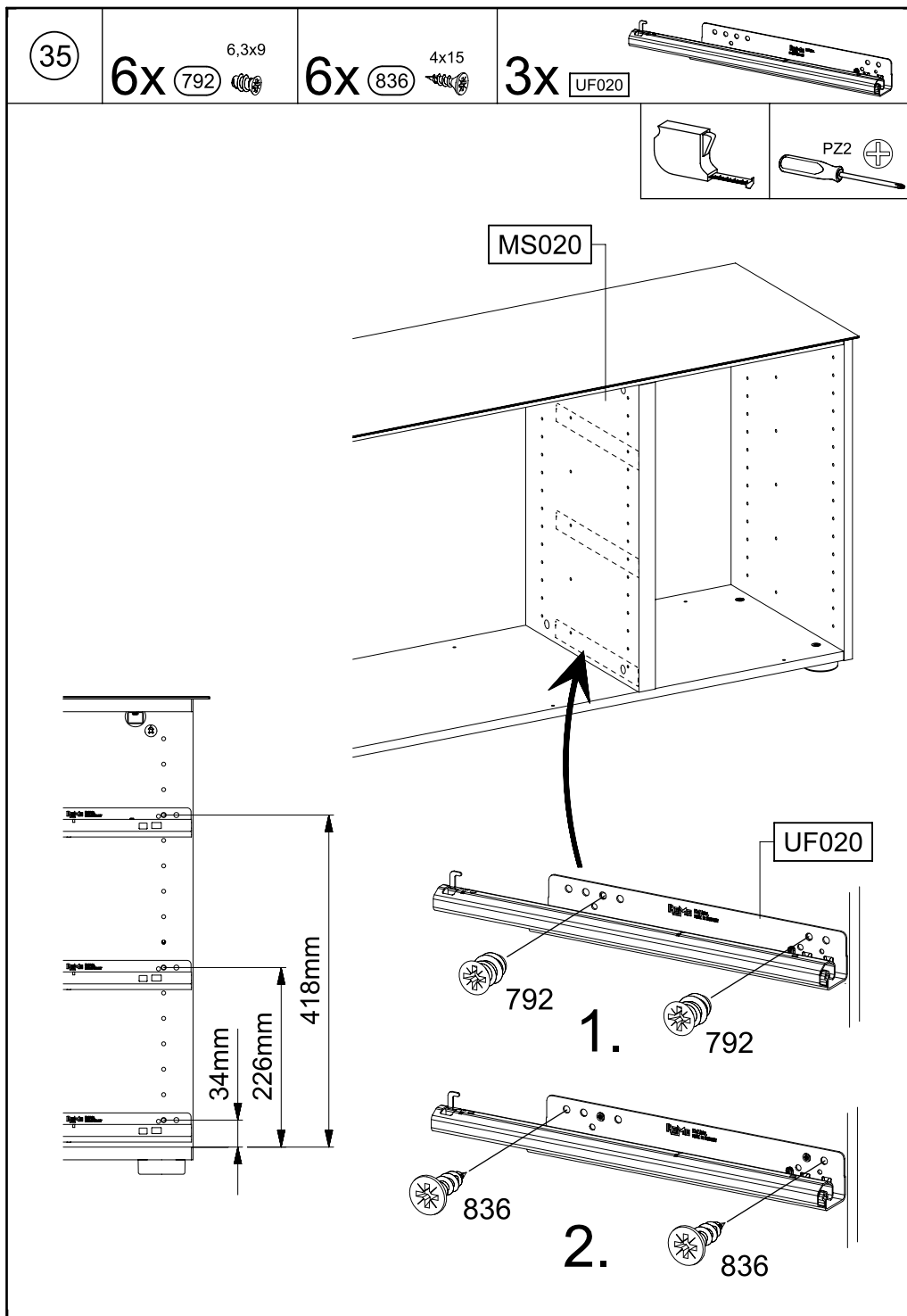
2.

418mm

226mm

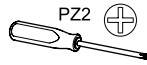
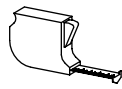
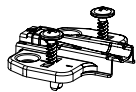
34mm





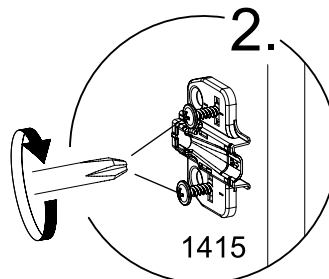
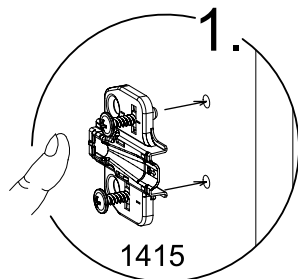
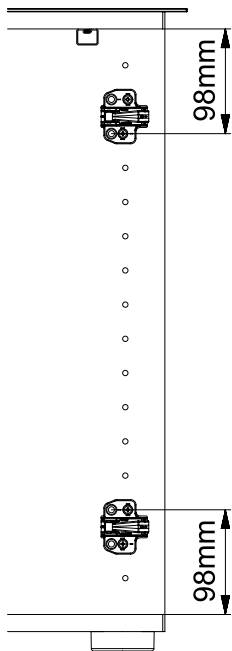
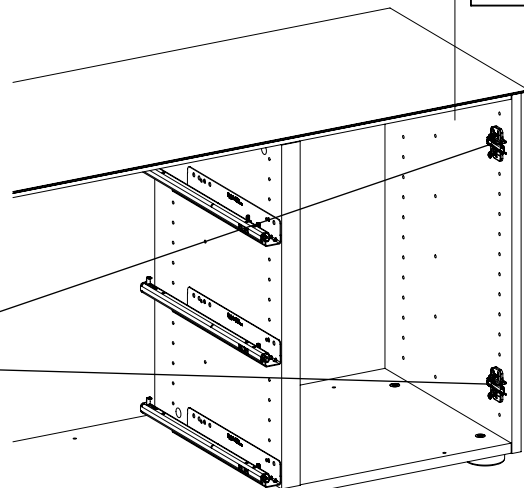
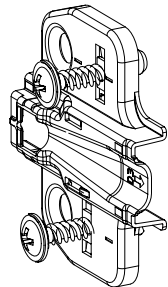
37

2x 1415



SE020

1415



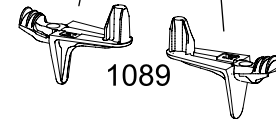
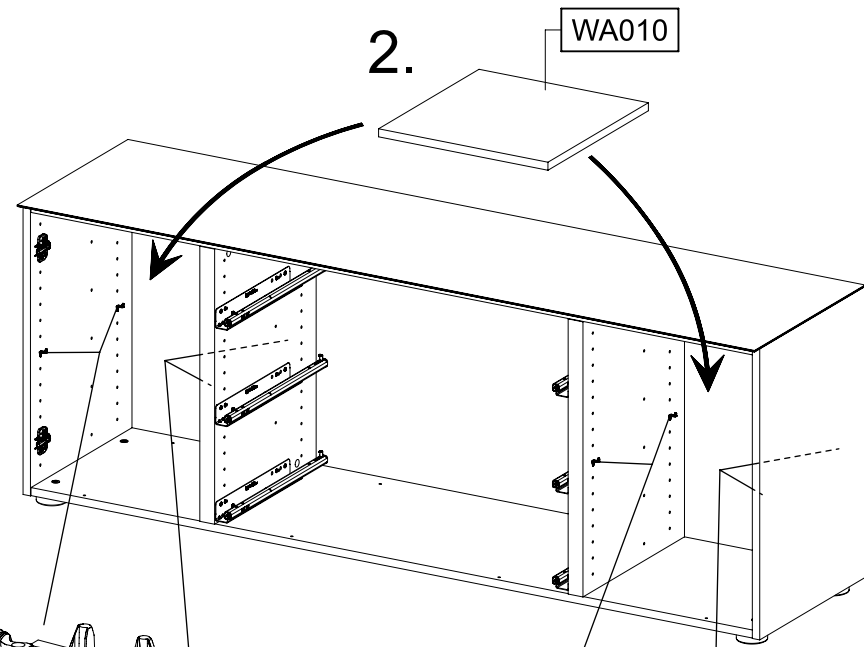
38

8x 1089

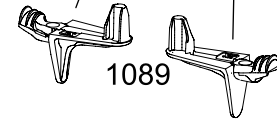


WA010

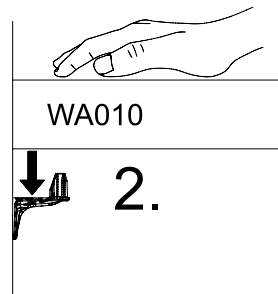
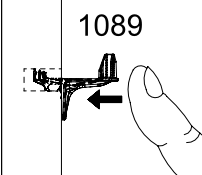
2.



1.



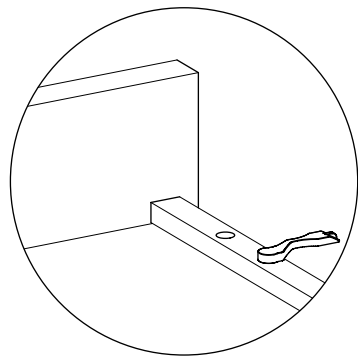
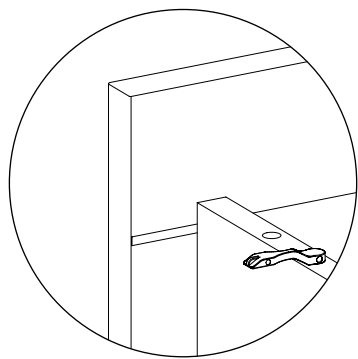
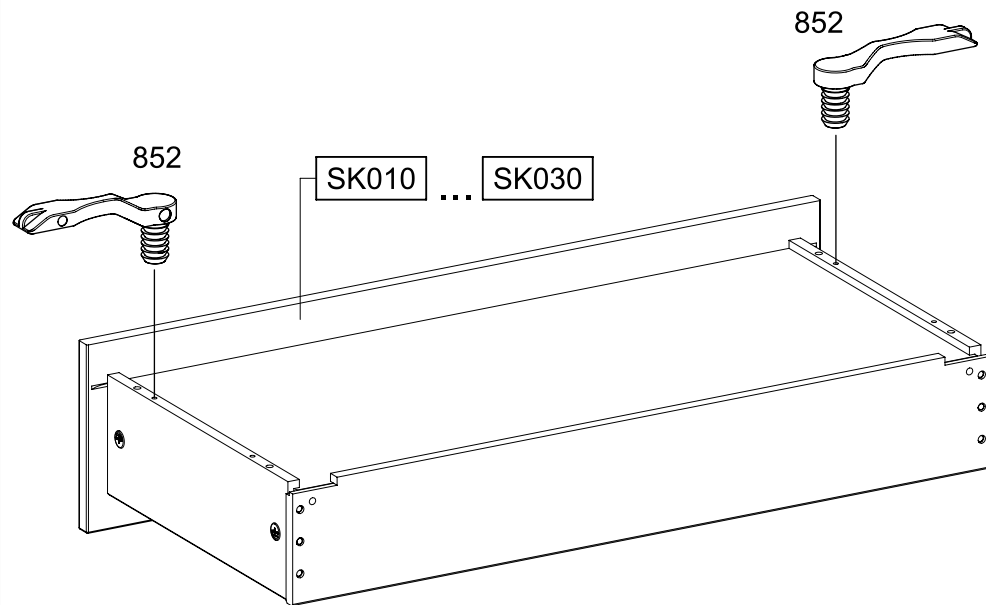
1.



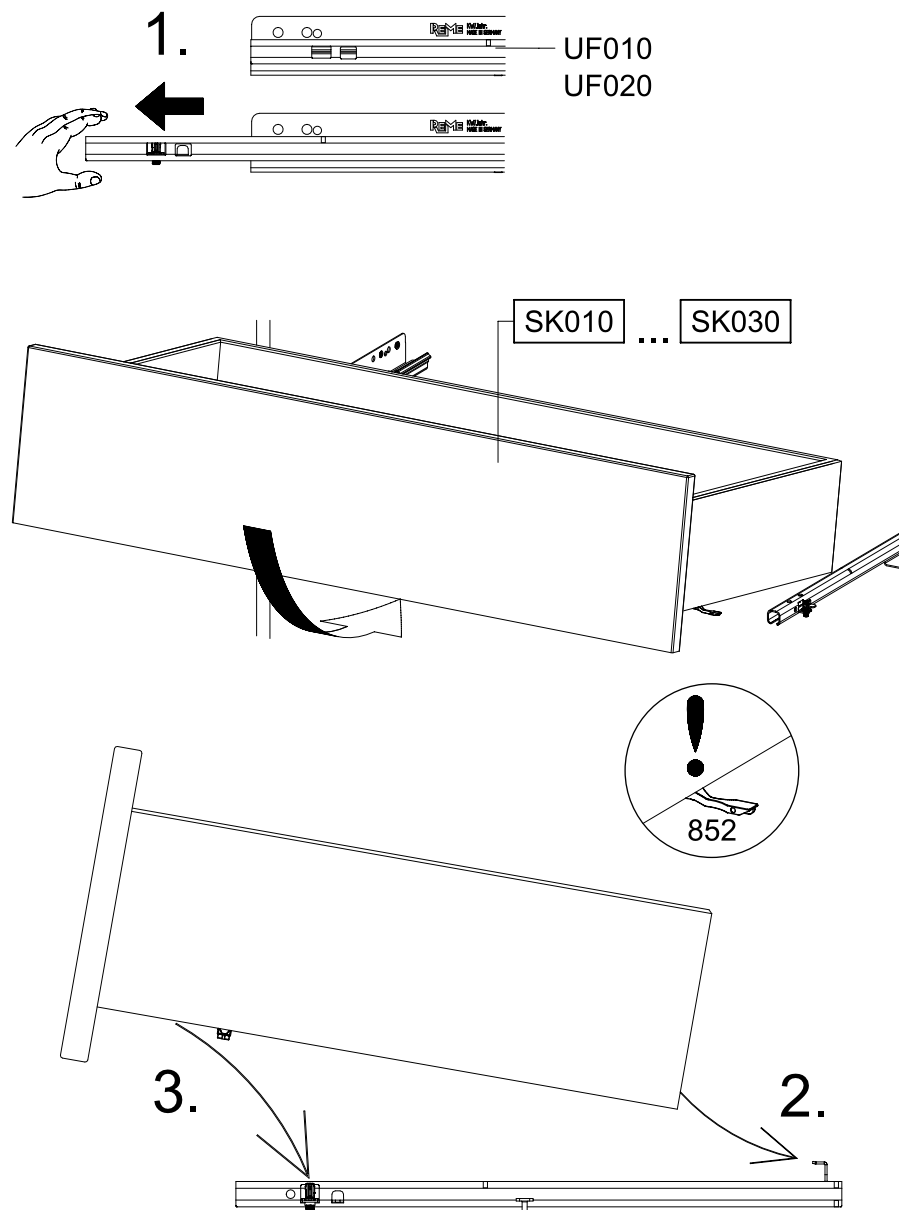
WA010

2.

39

6x 852 

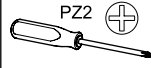
40



41

4x

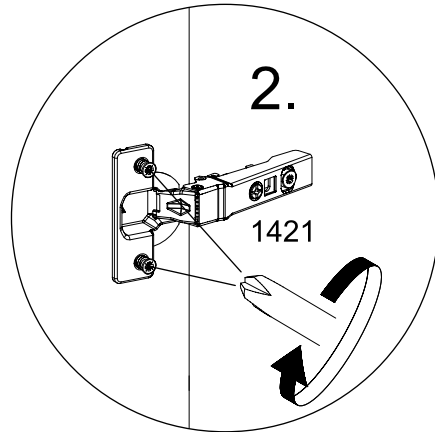
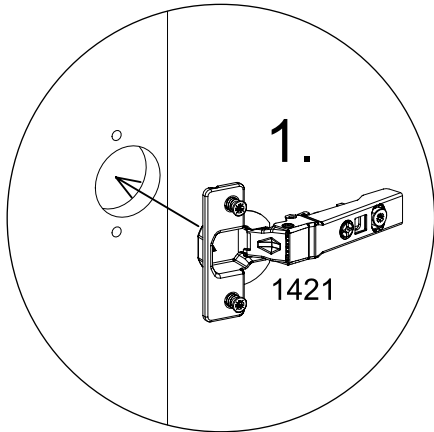
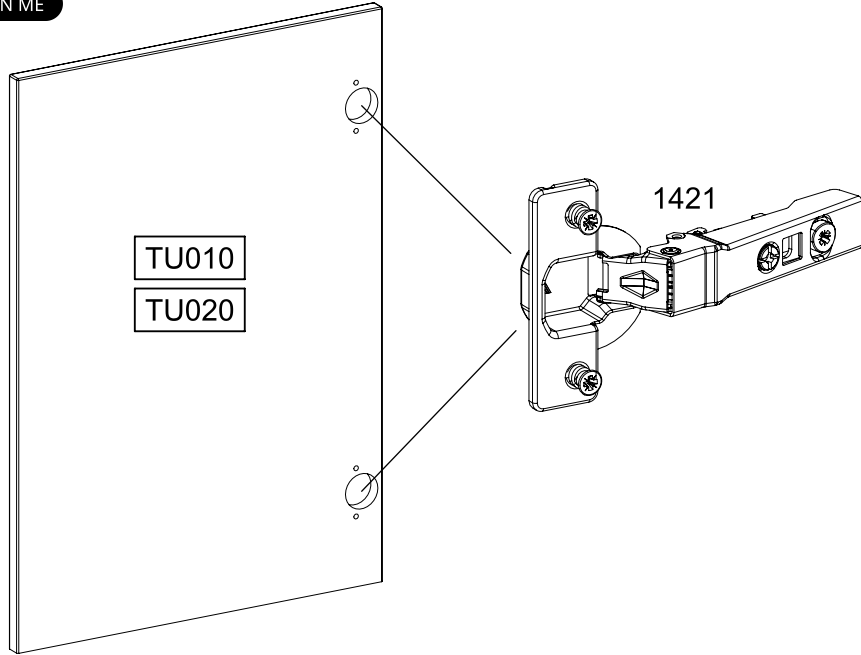
1421



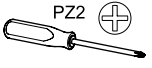
PZ2



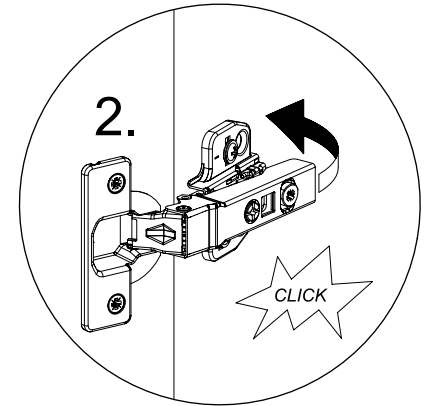
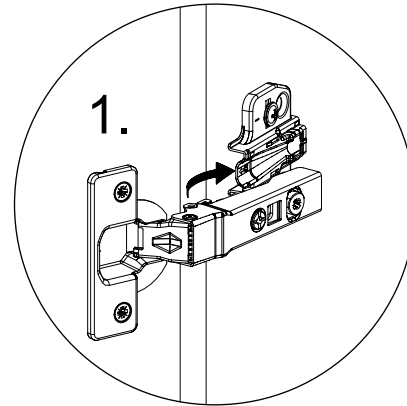
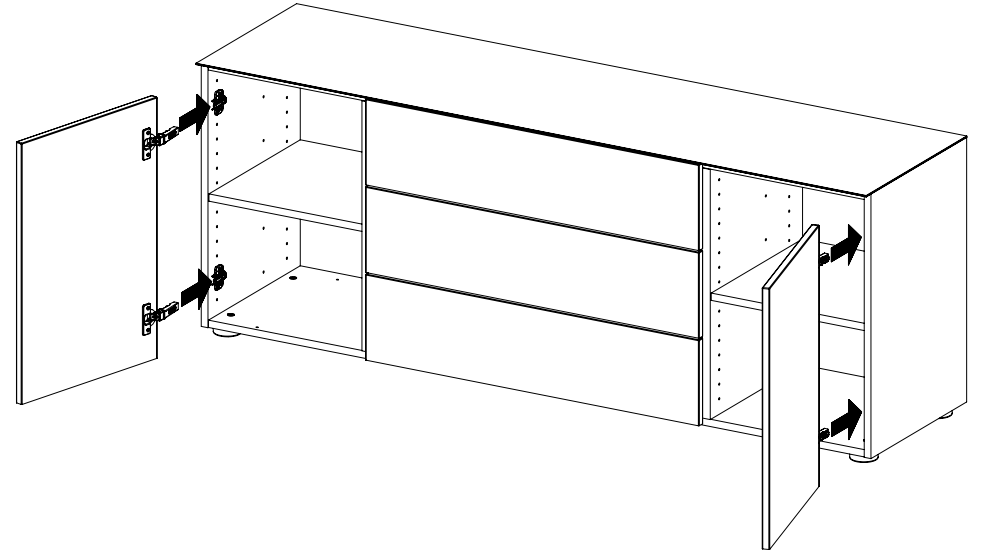
SCAN ME



42



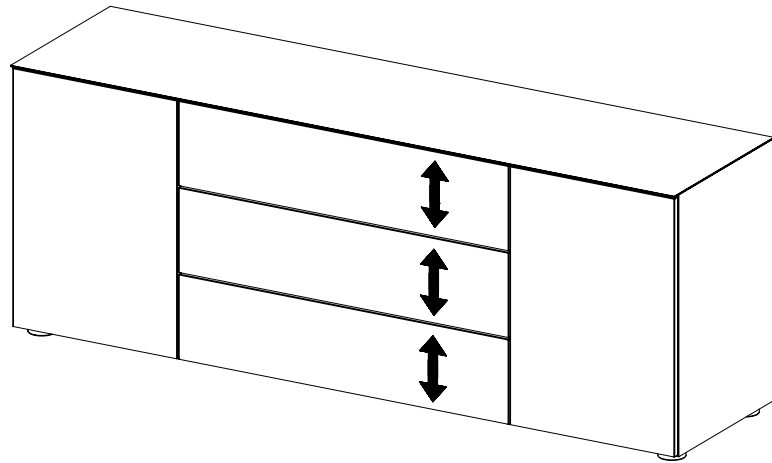
PZ2



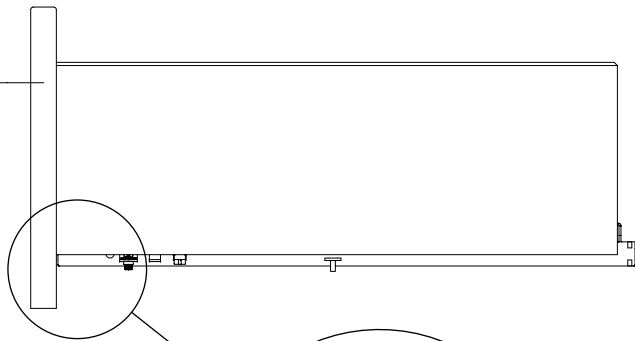
43



SCAN ME

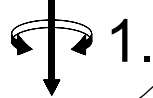
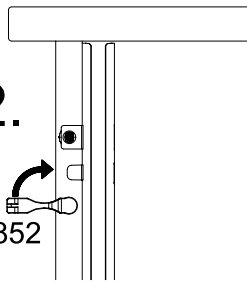


SK010
SK020
SK030



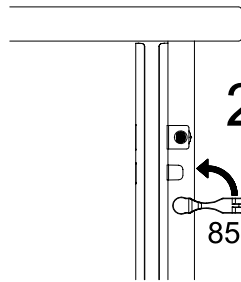
2.

852



2.

852



44



SCAN ME

