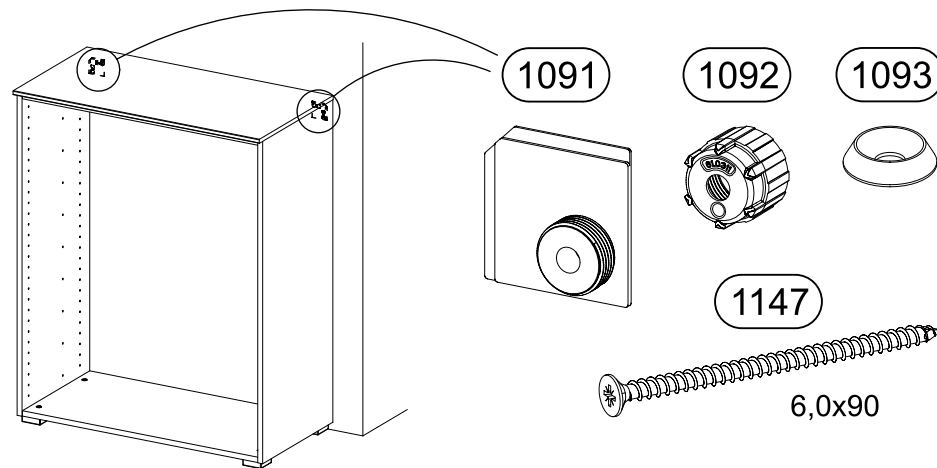
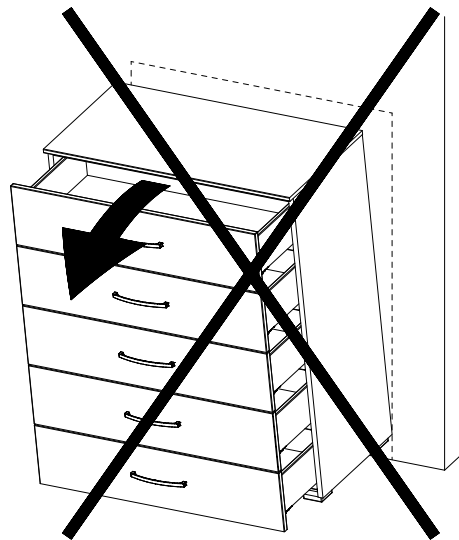
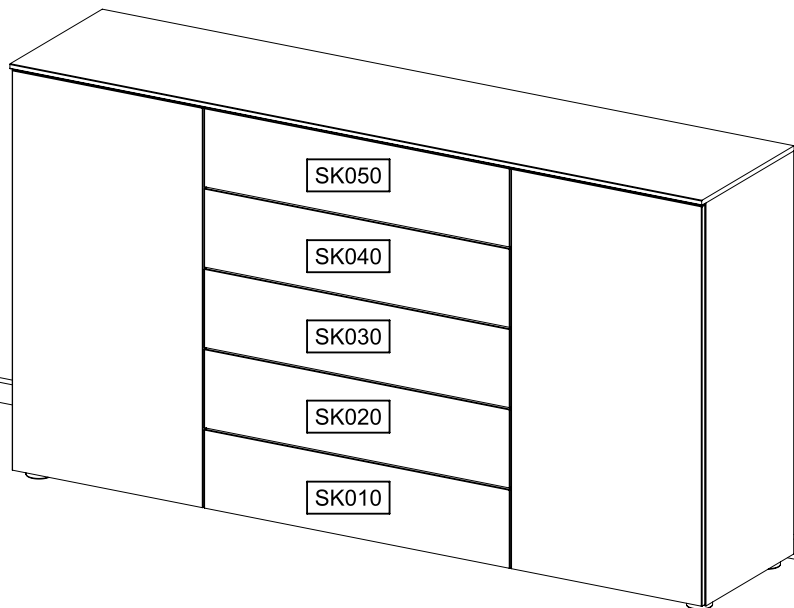
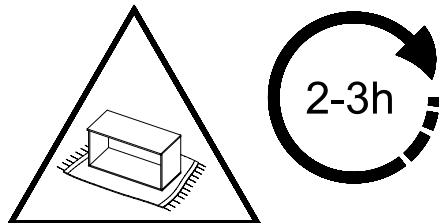
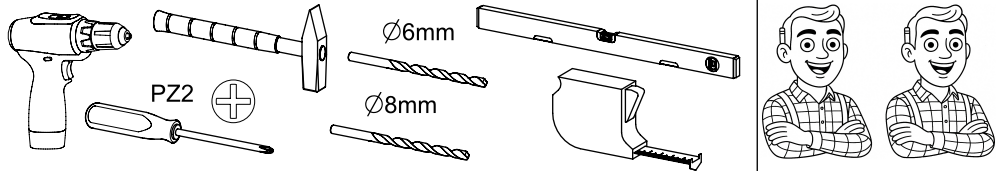
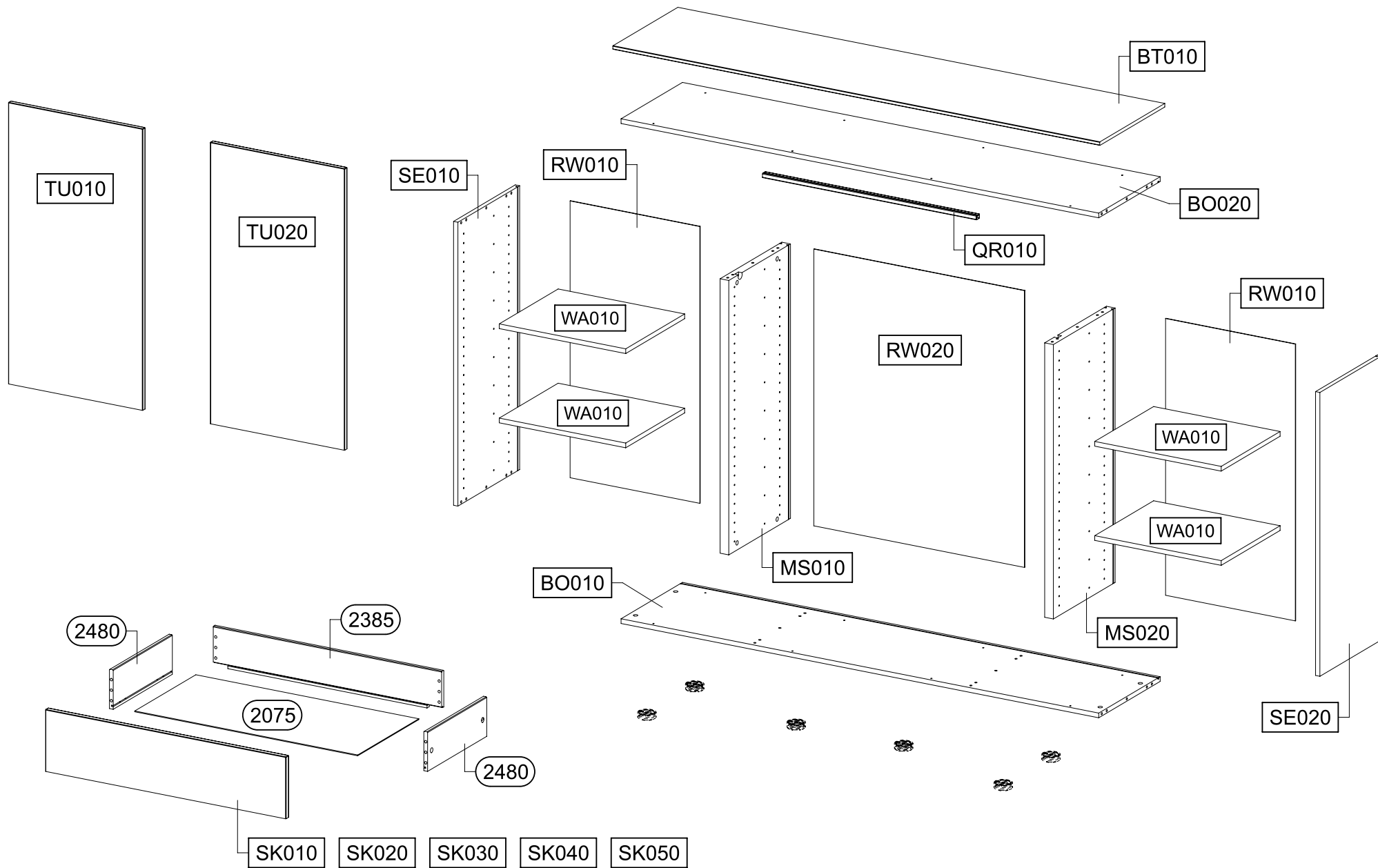
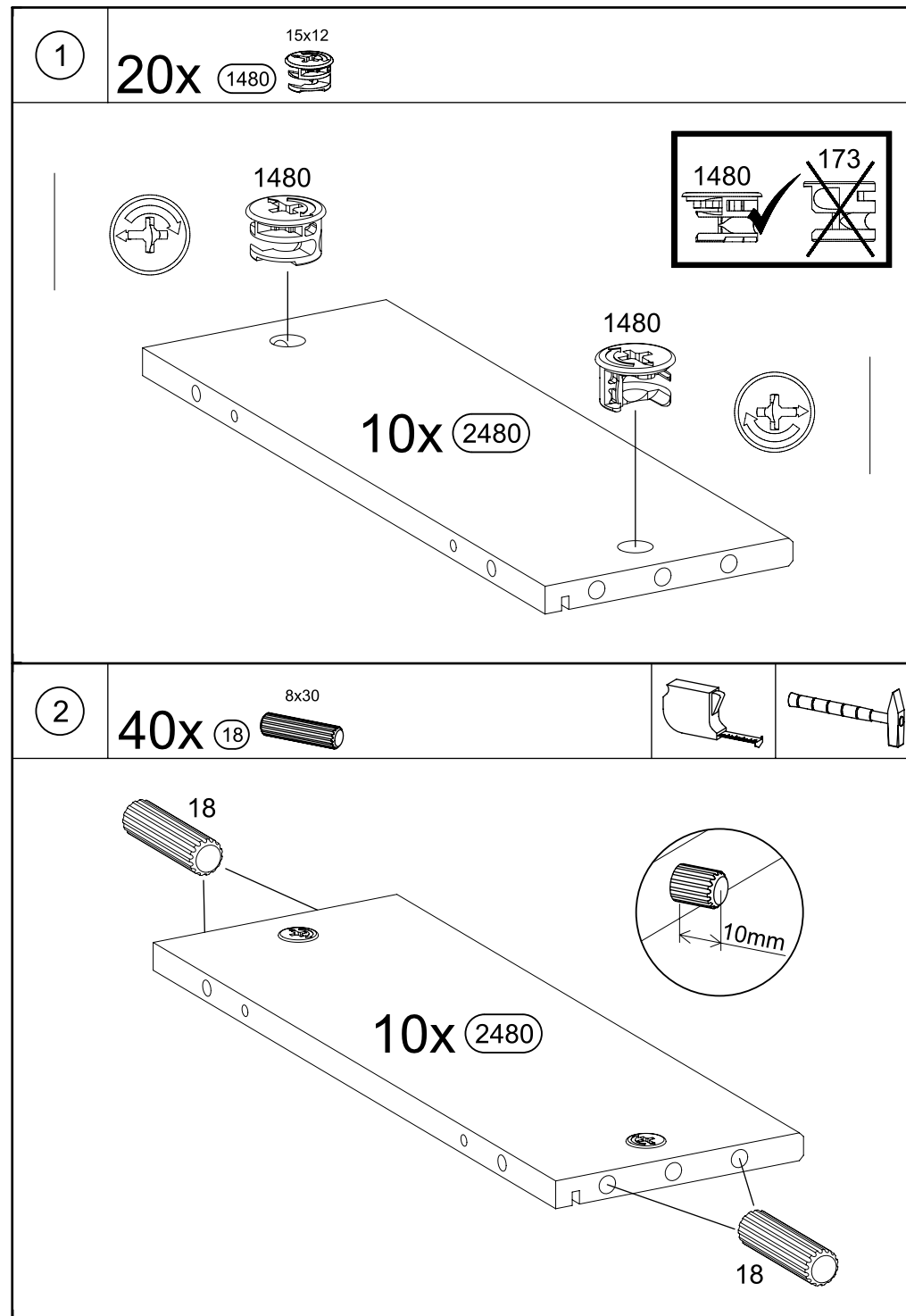
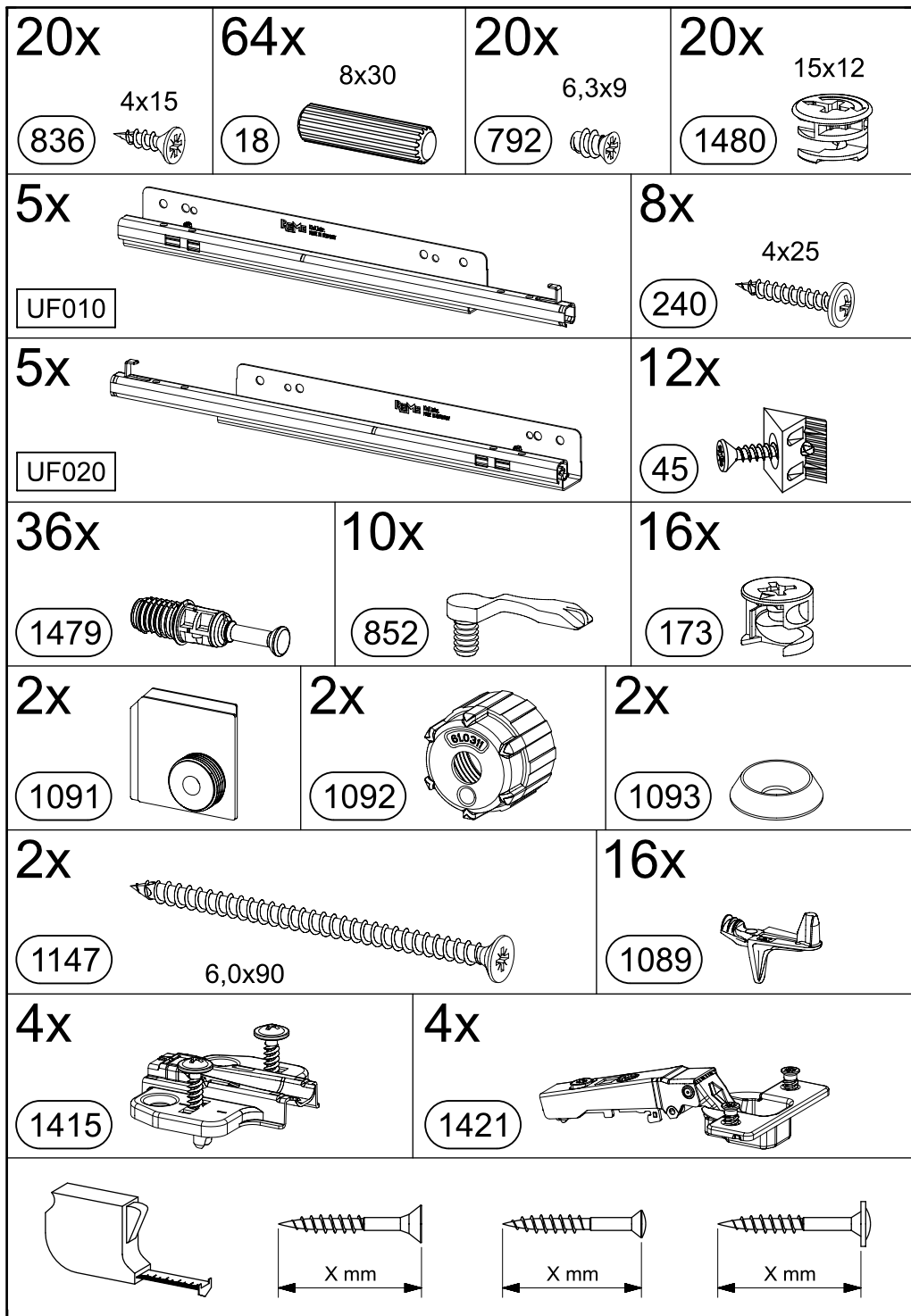


# M3168\_03







3

1479



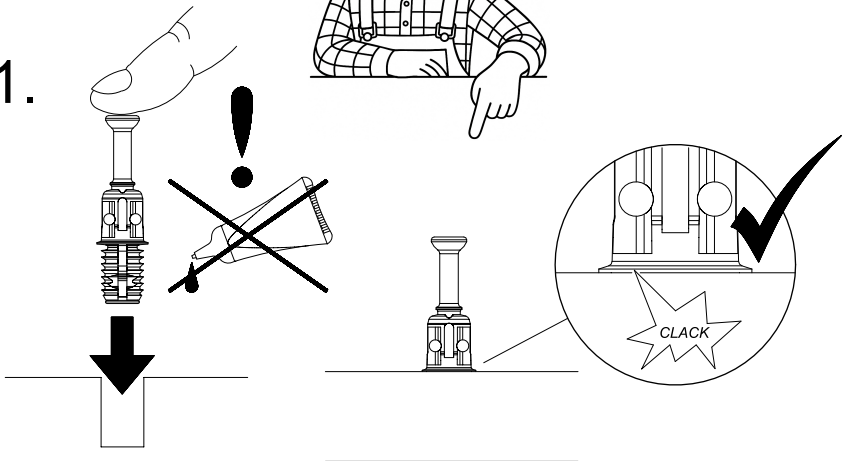
# Function!



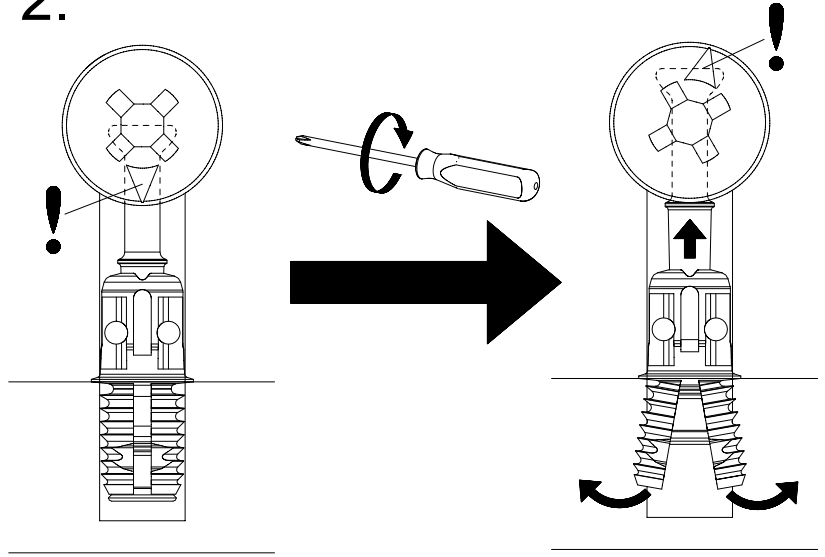
Scan Me



1.



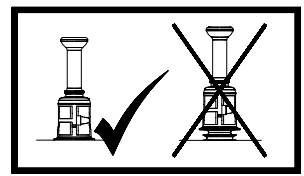
2.



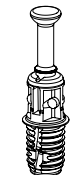
4

10x

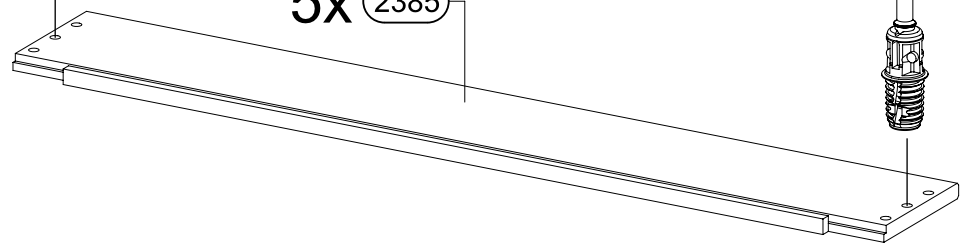
1479



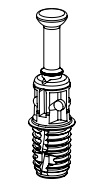
1479



5x 2385



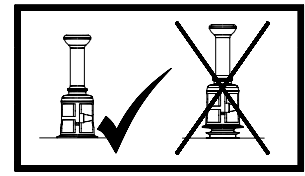
1479



5

10x

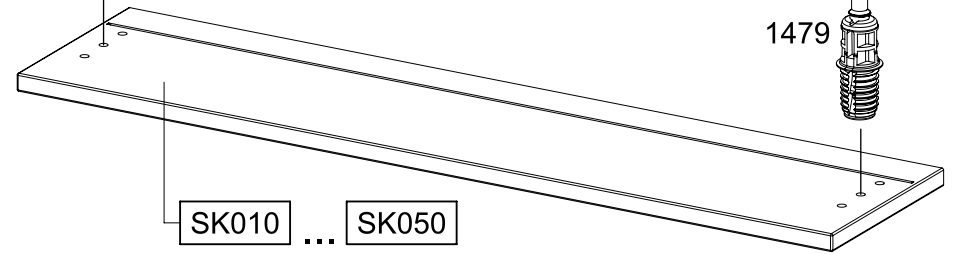
1479



1479

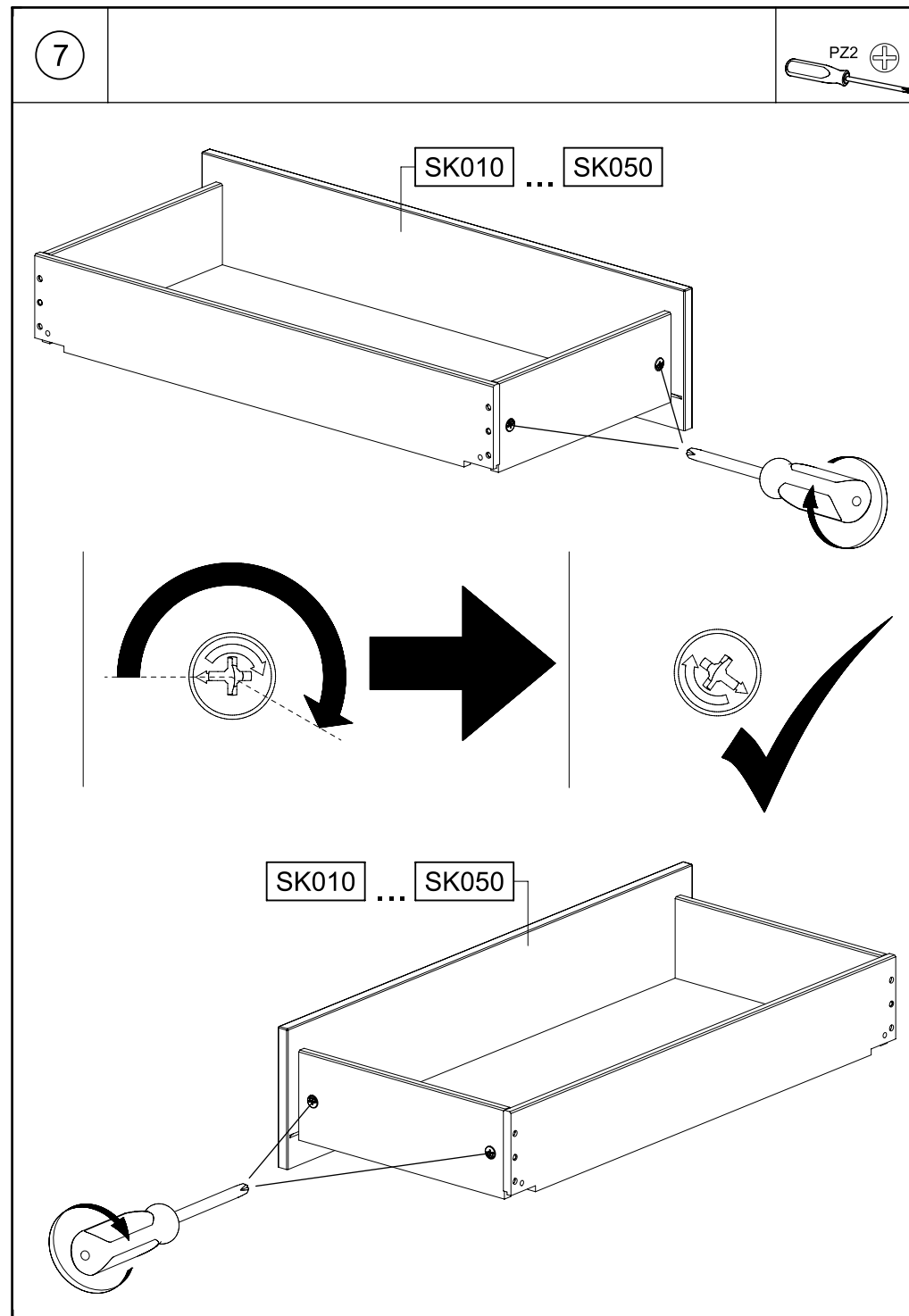
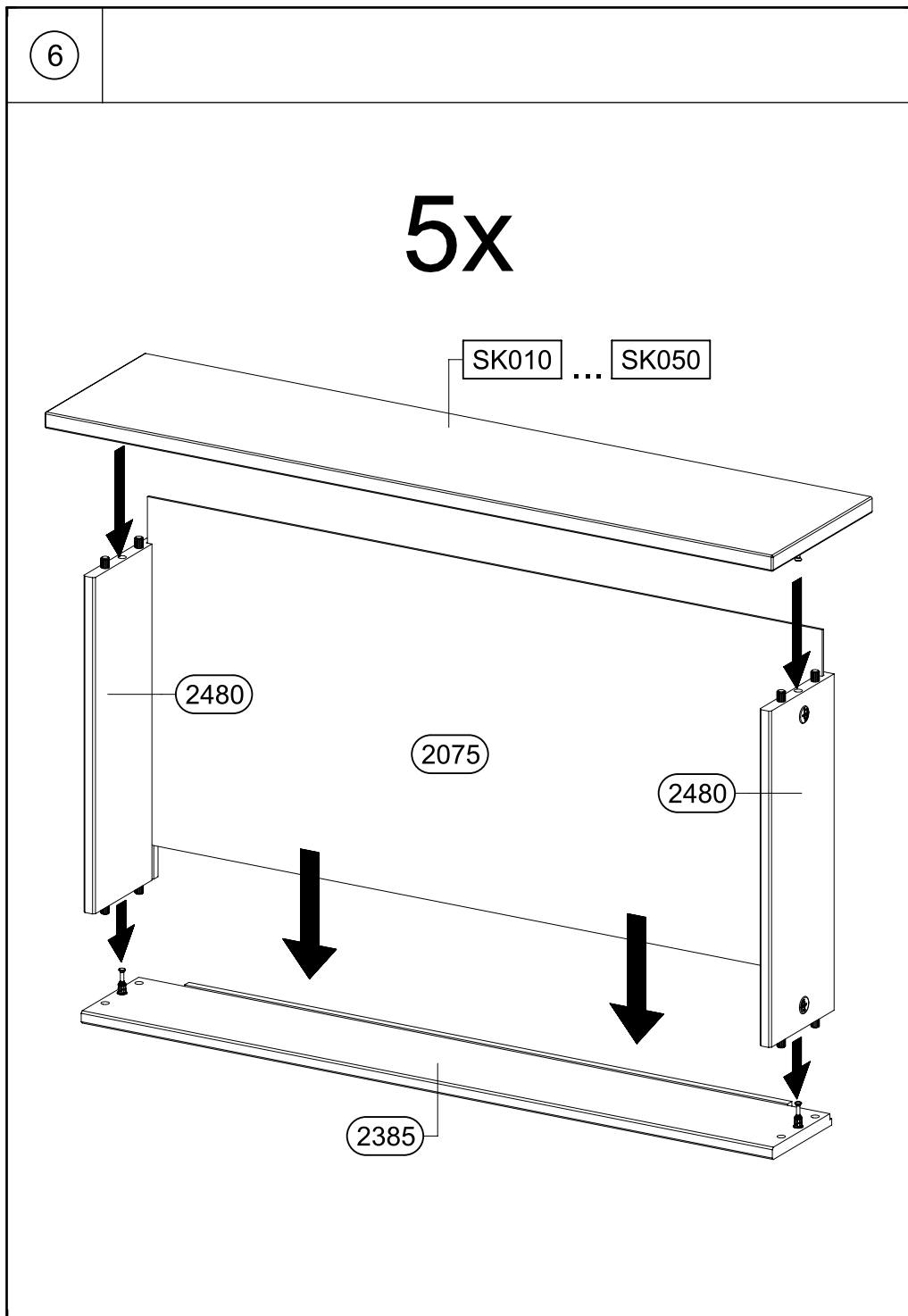


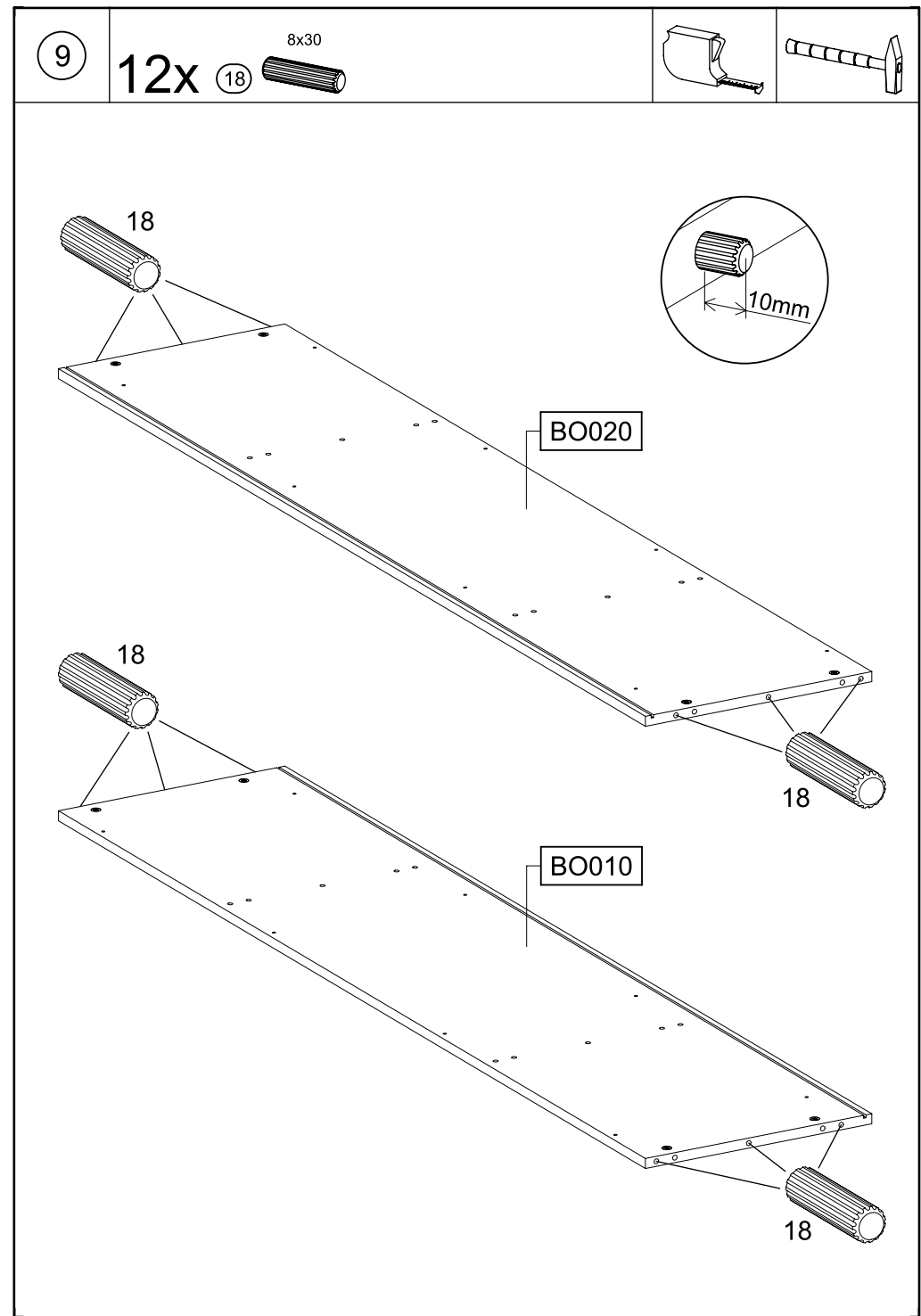
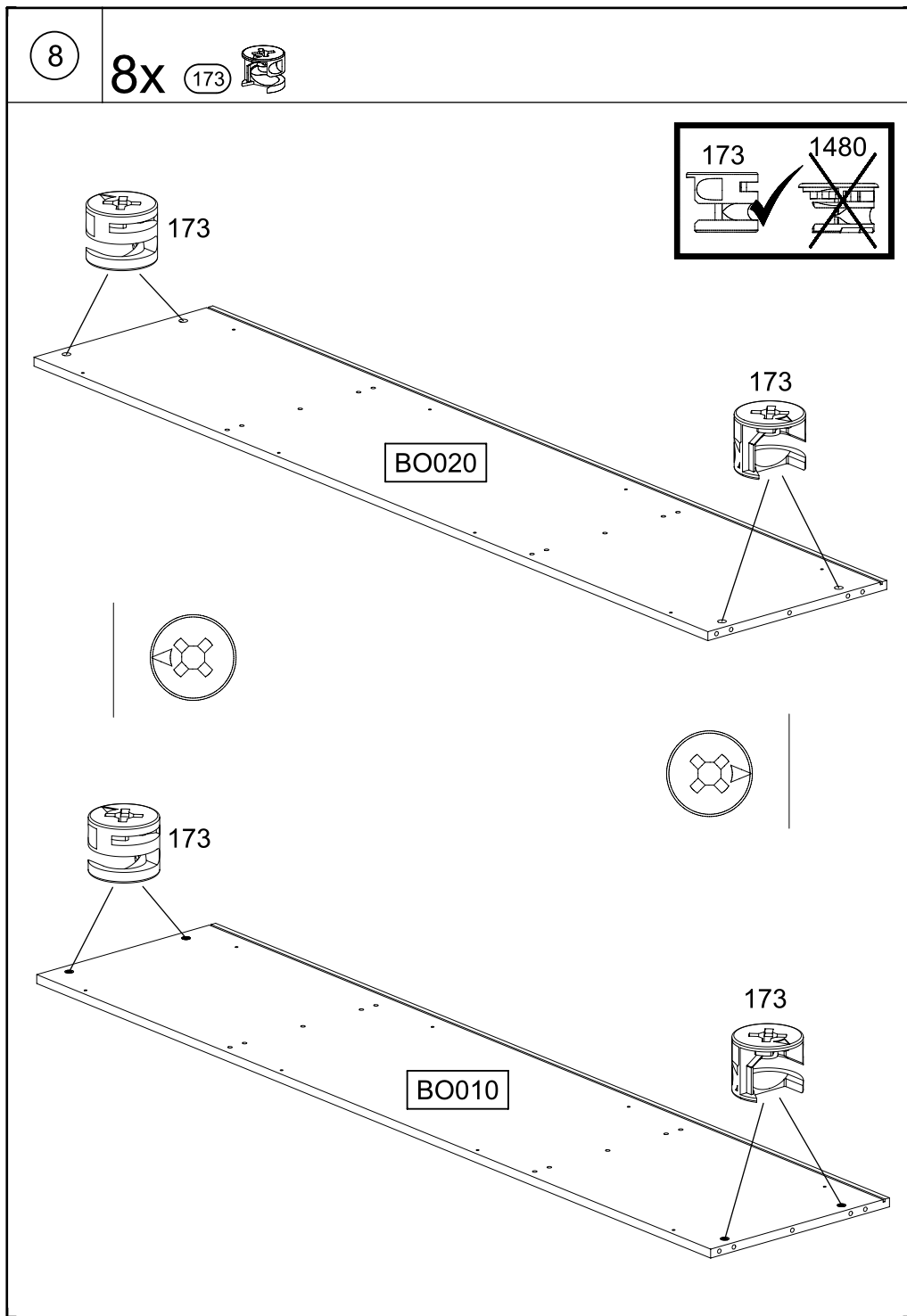
SK010 ... SK050



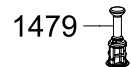
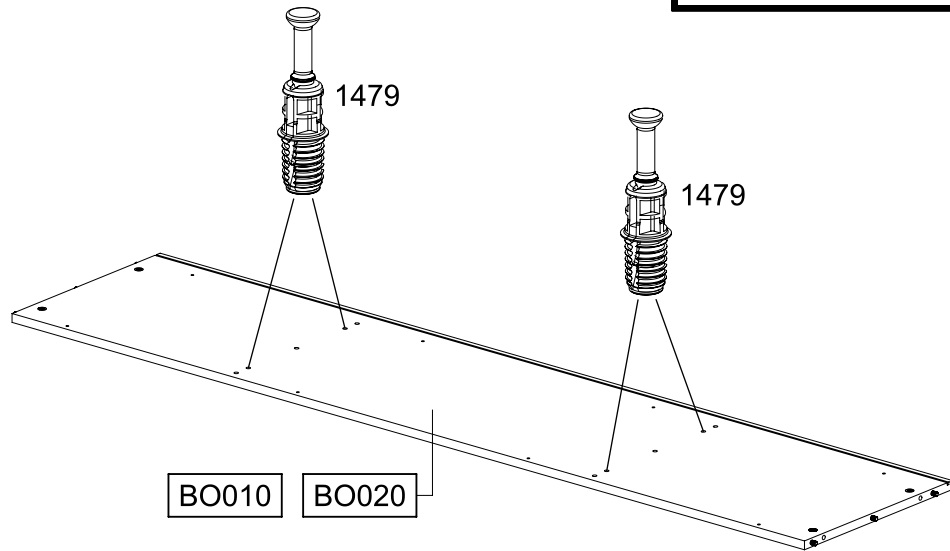
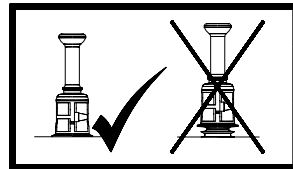

1479



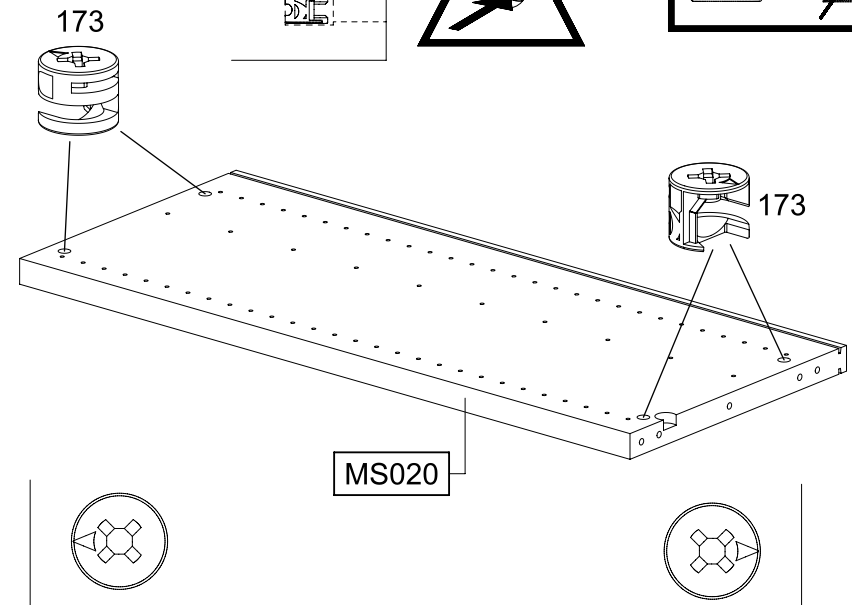
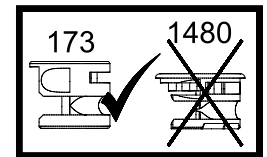
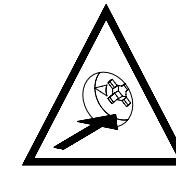
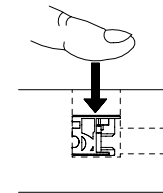





10

8x 1479 

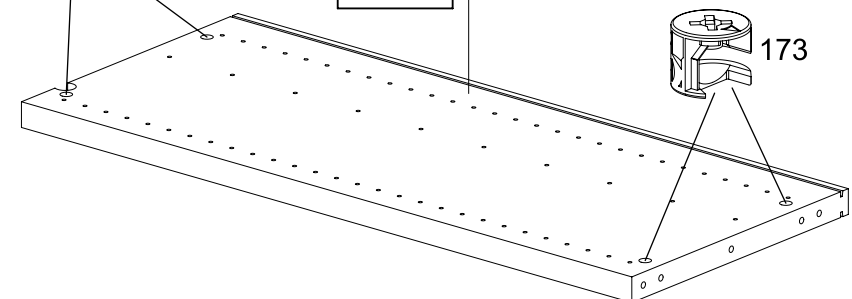
11

8x 173 

173



MS010

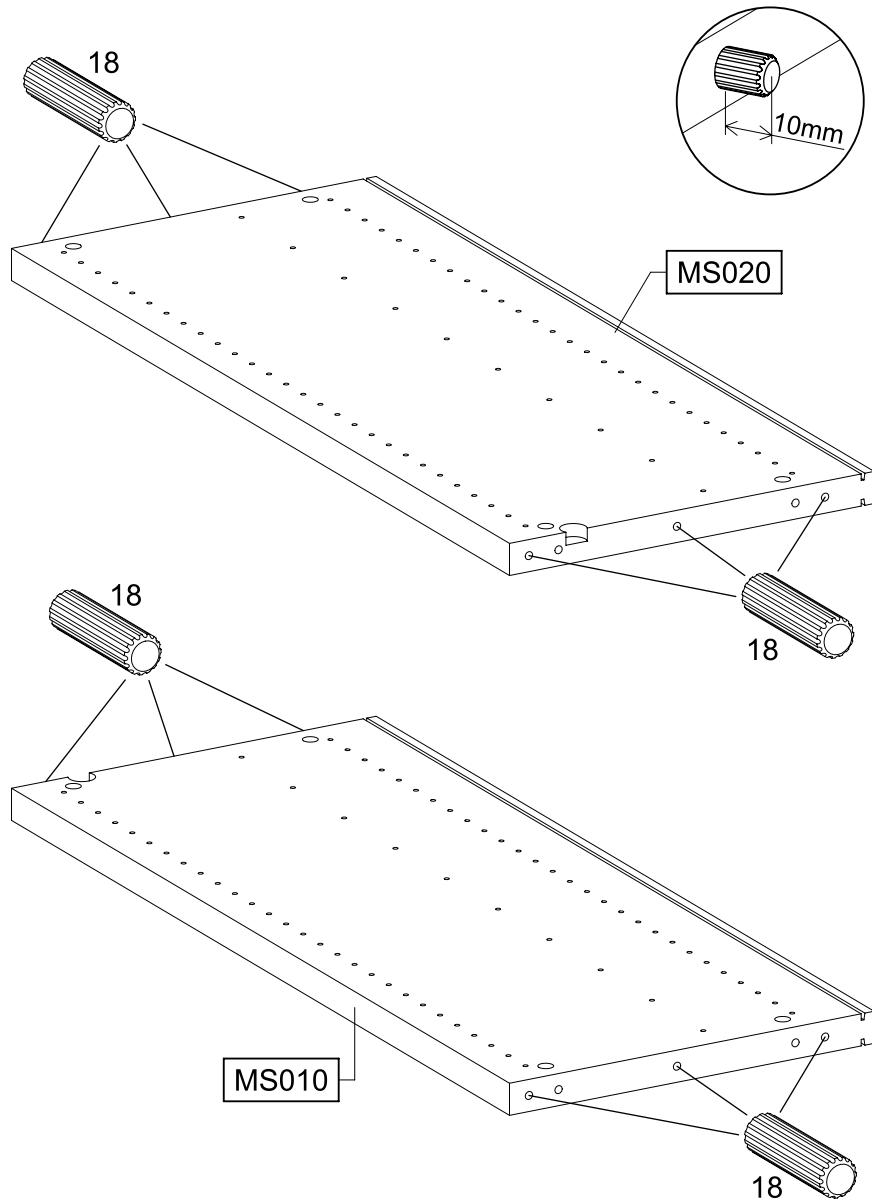
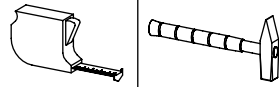


12

12x

18

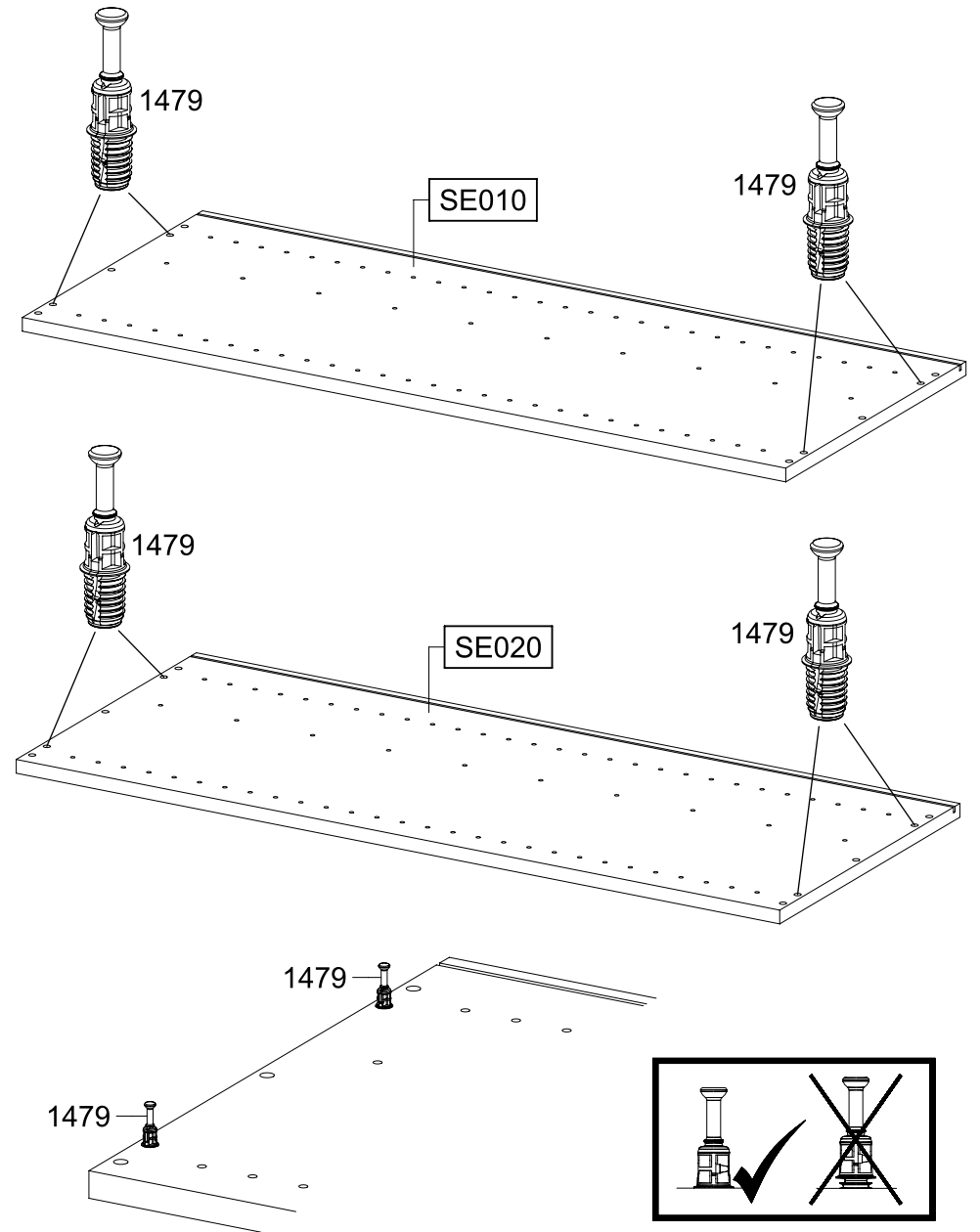
8x30



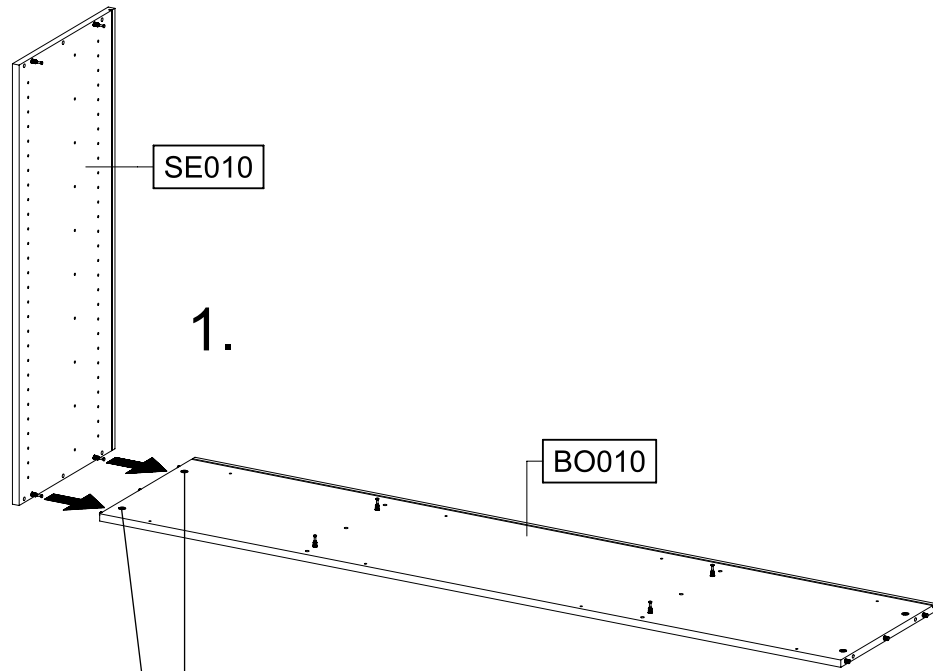
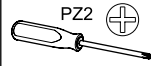
13

8x

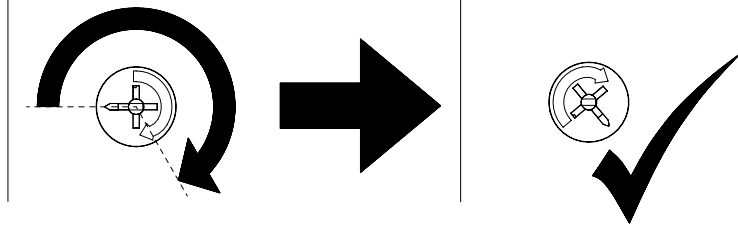
1479



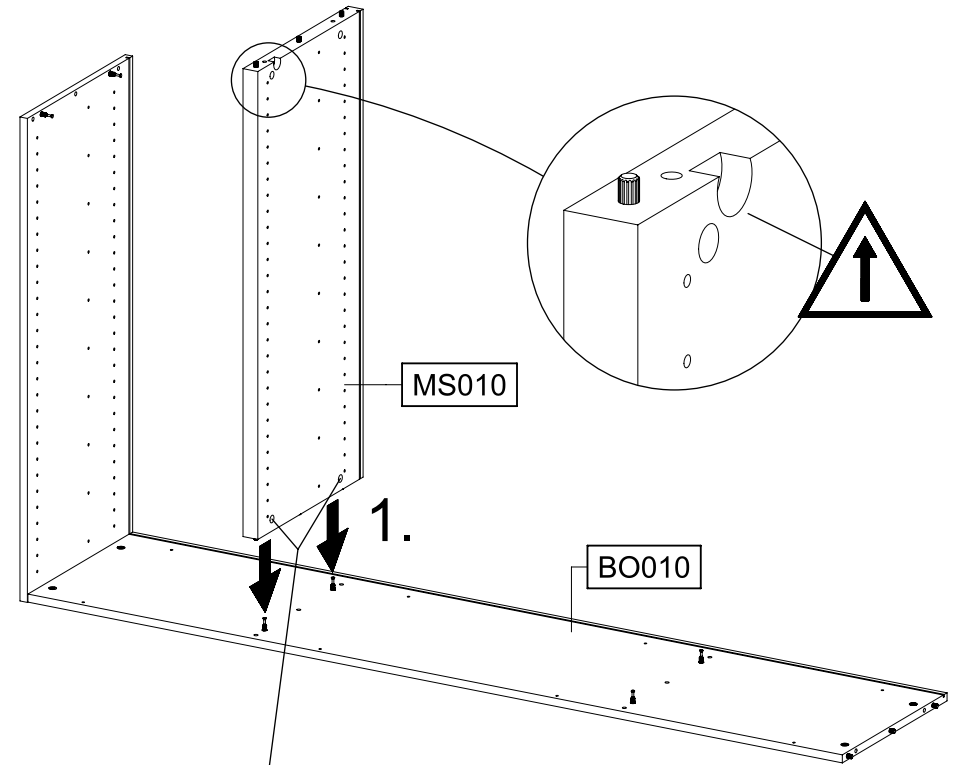
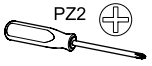
14



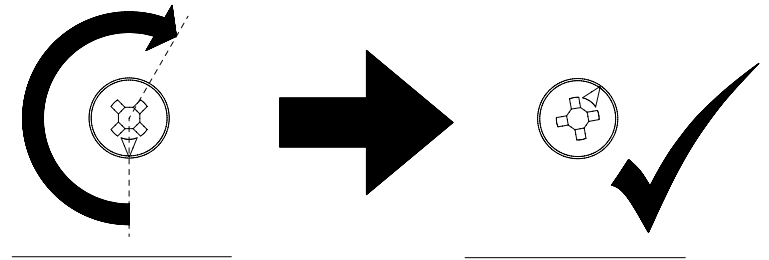
2.

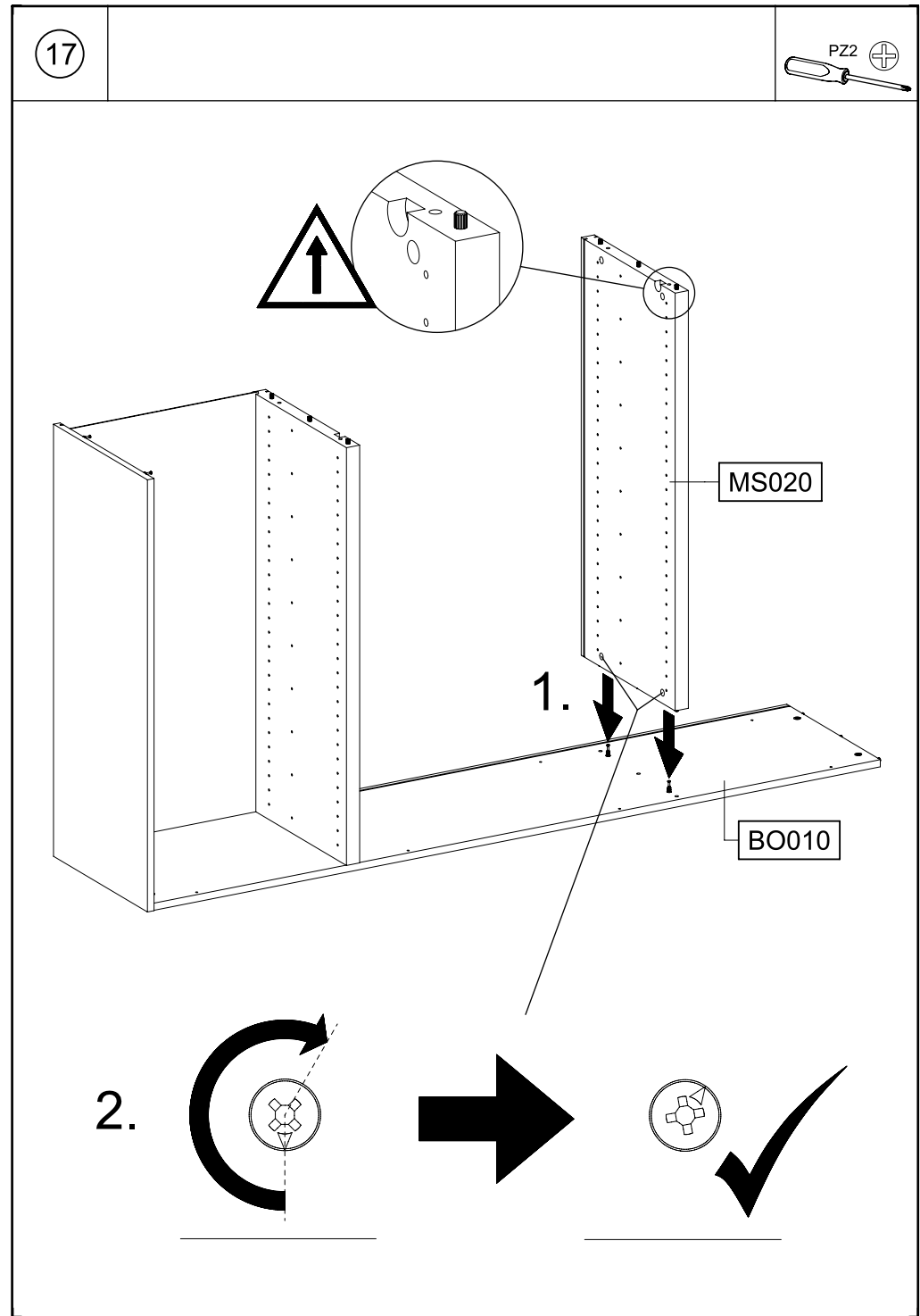
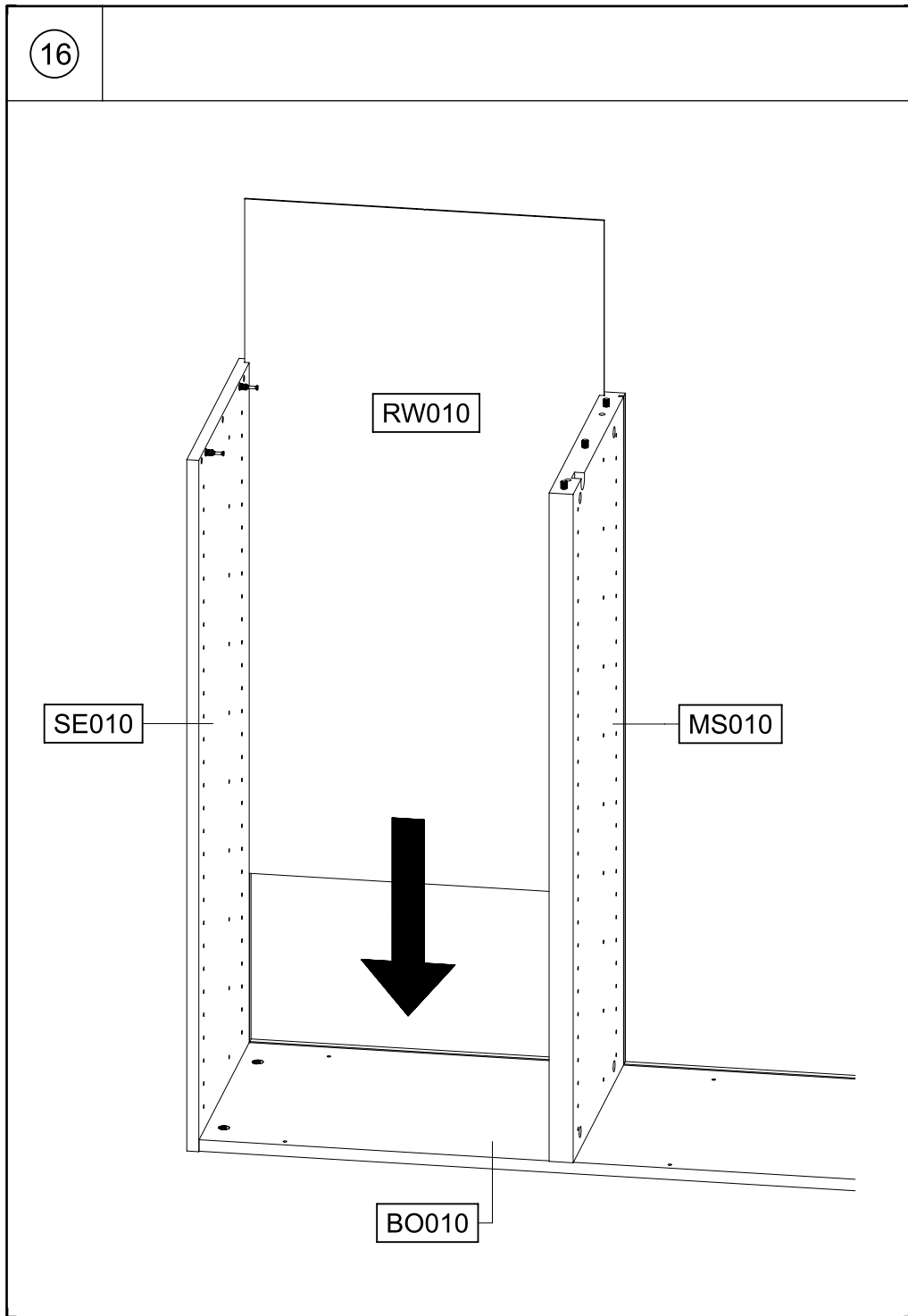


15

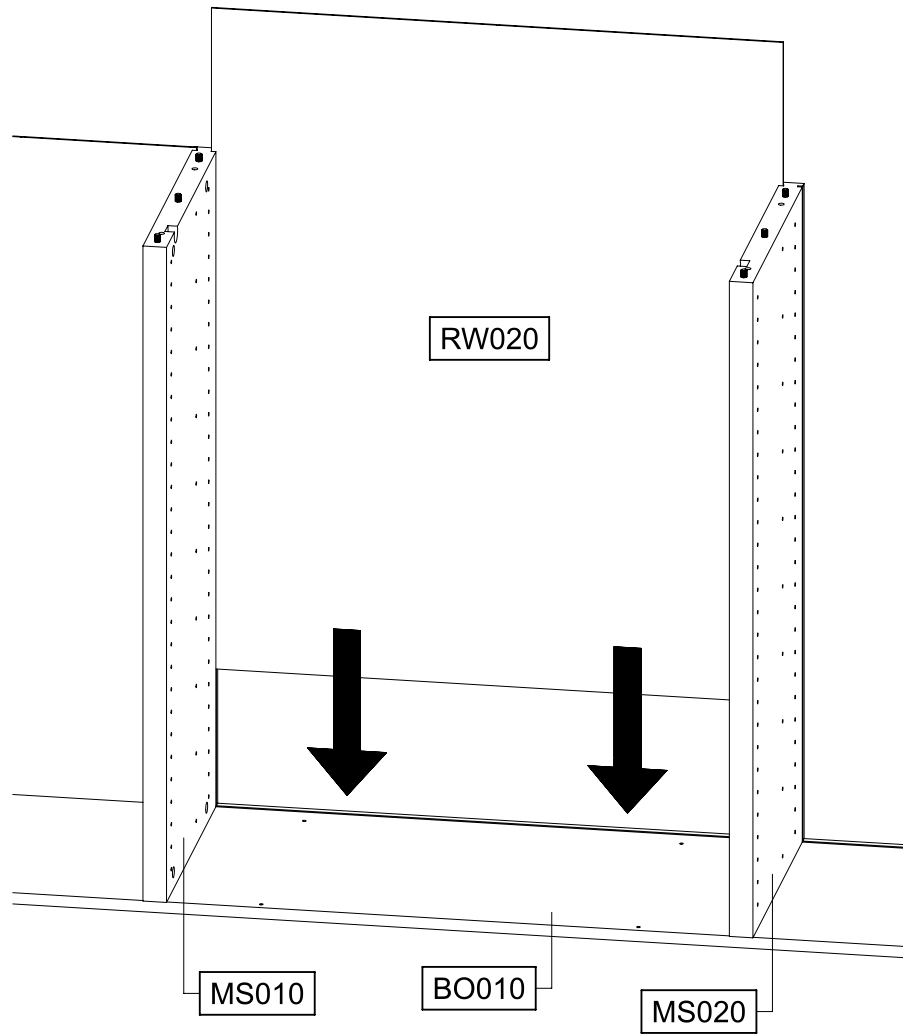


2.

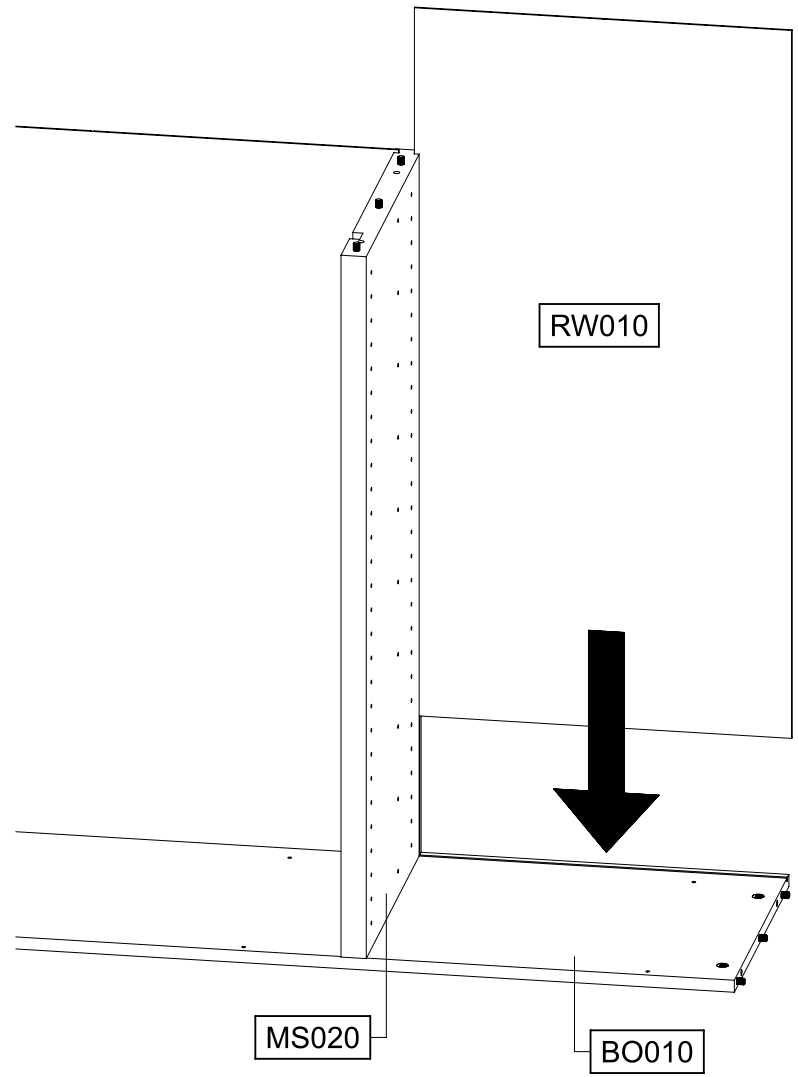




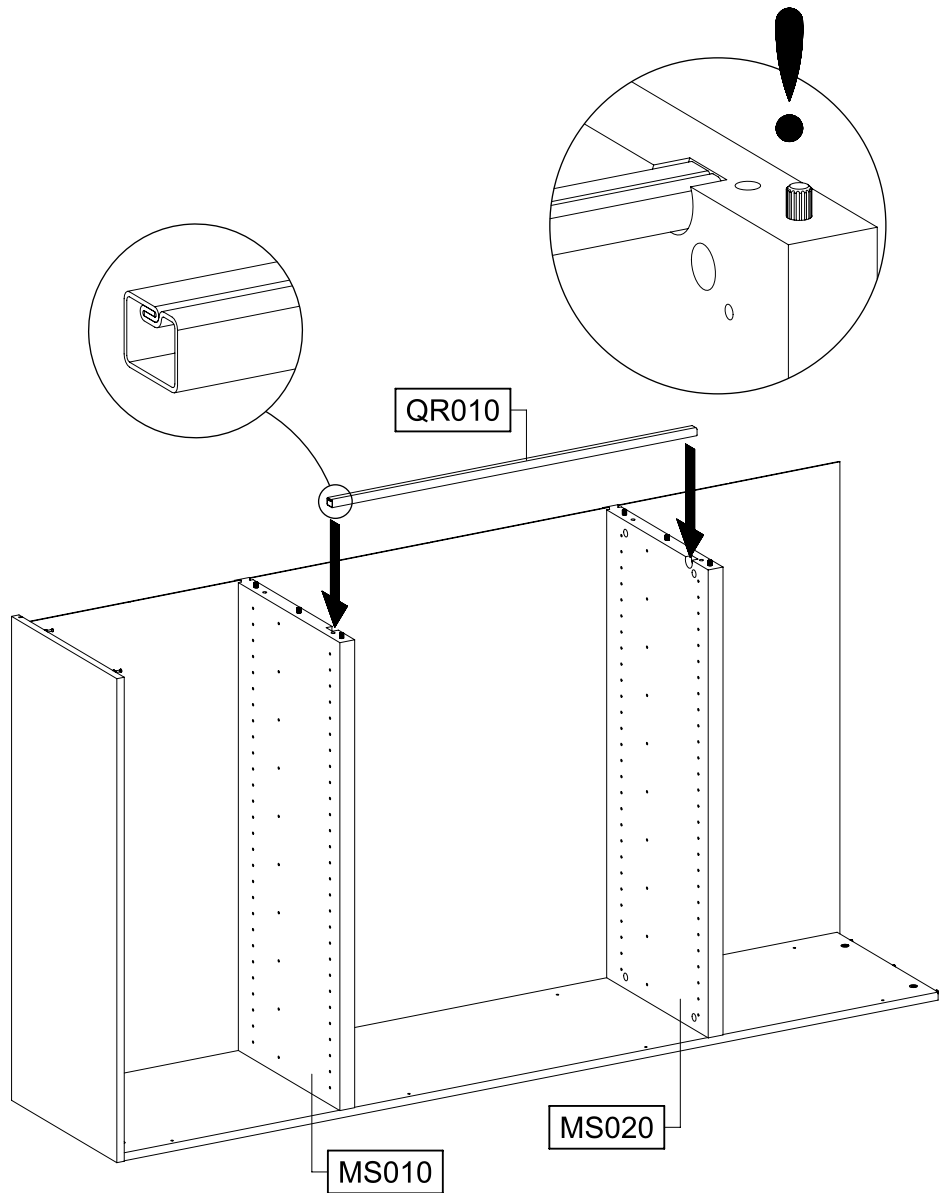
18



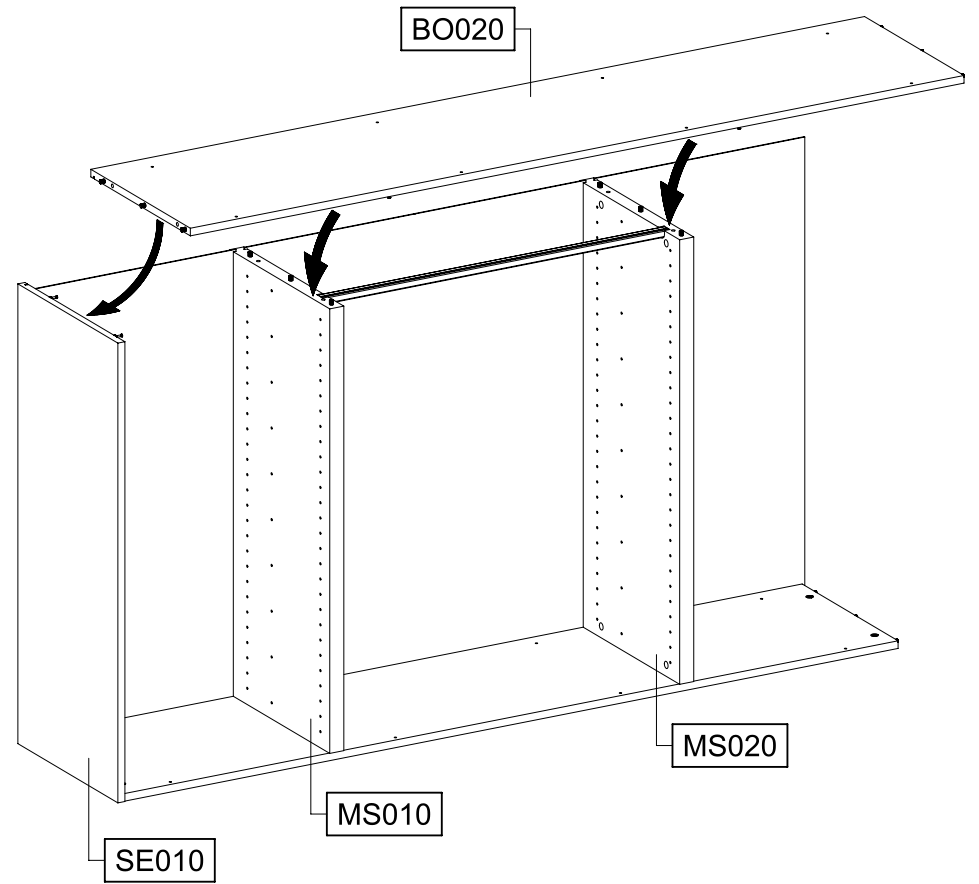
19



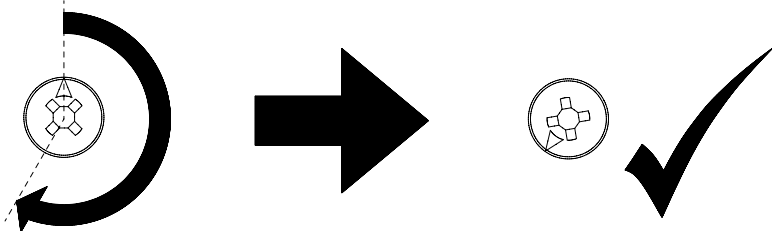
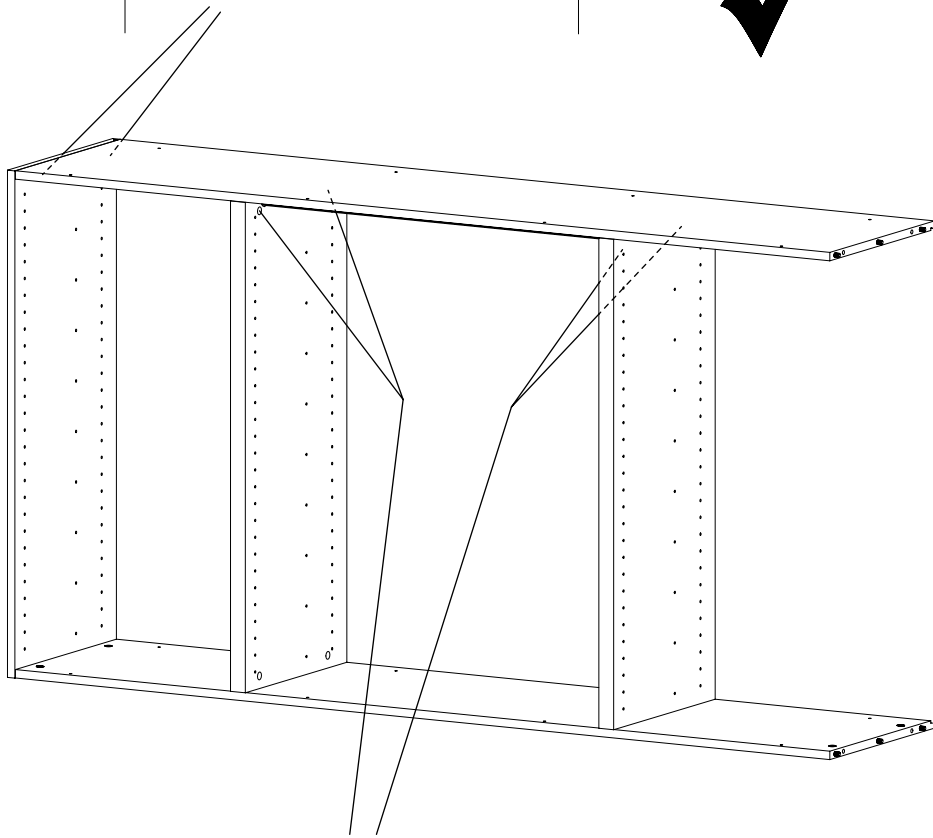
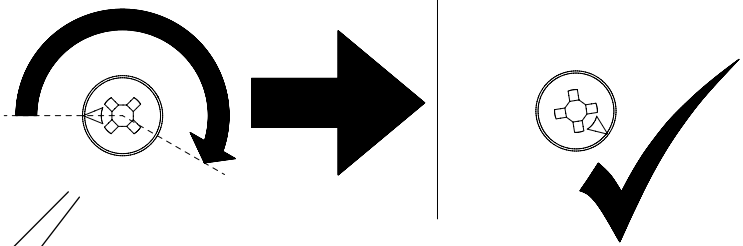
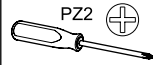
20



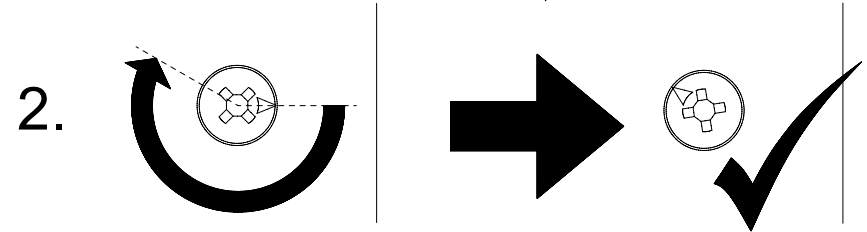
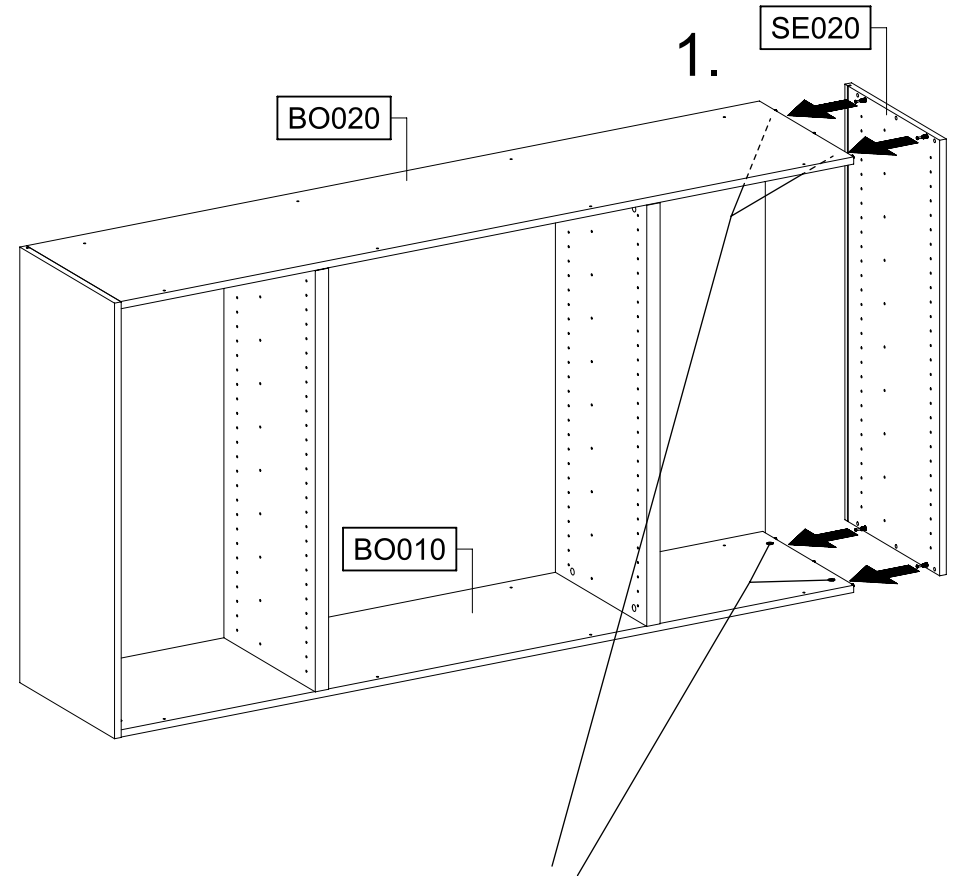
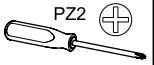
21

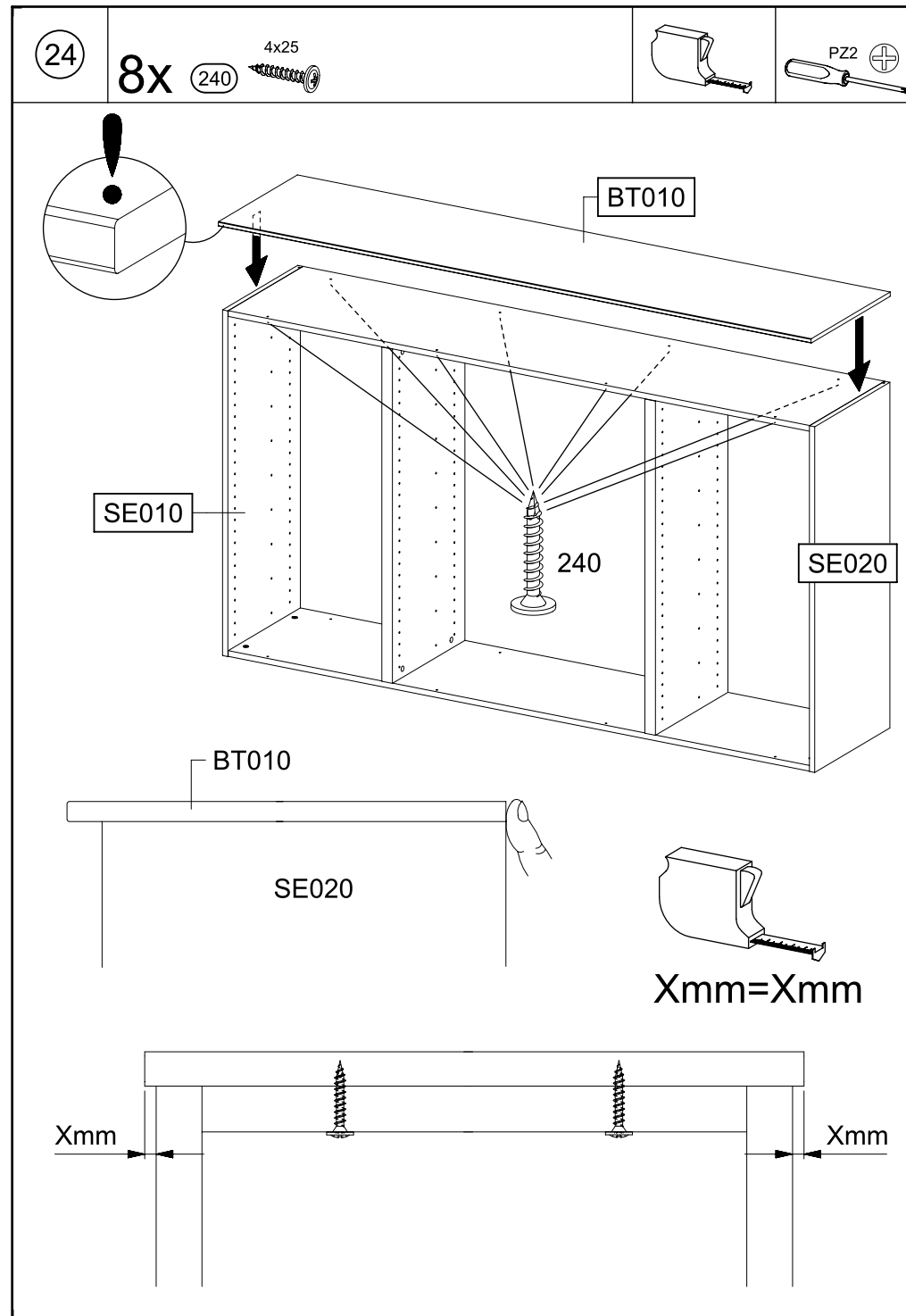
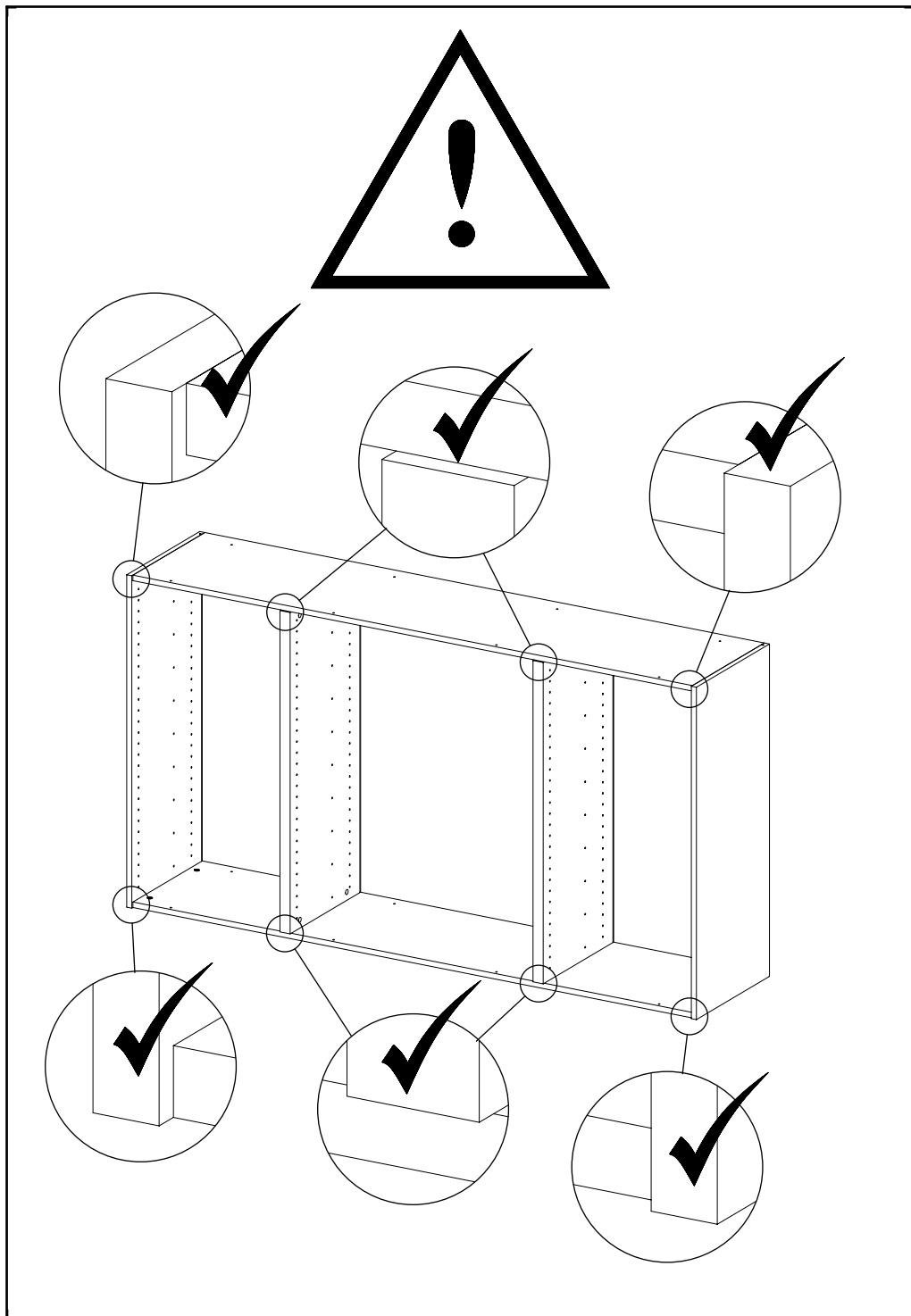


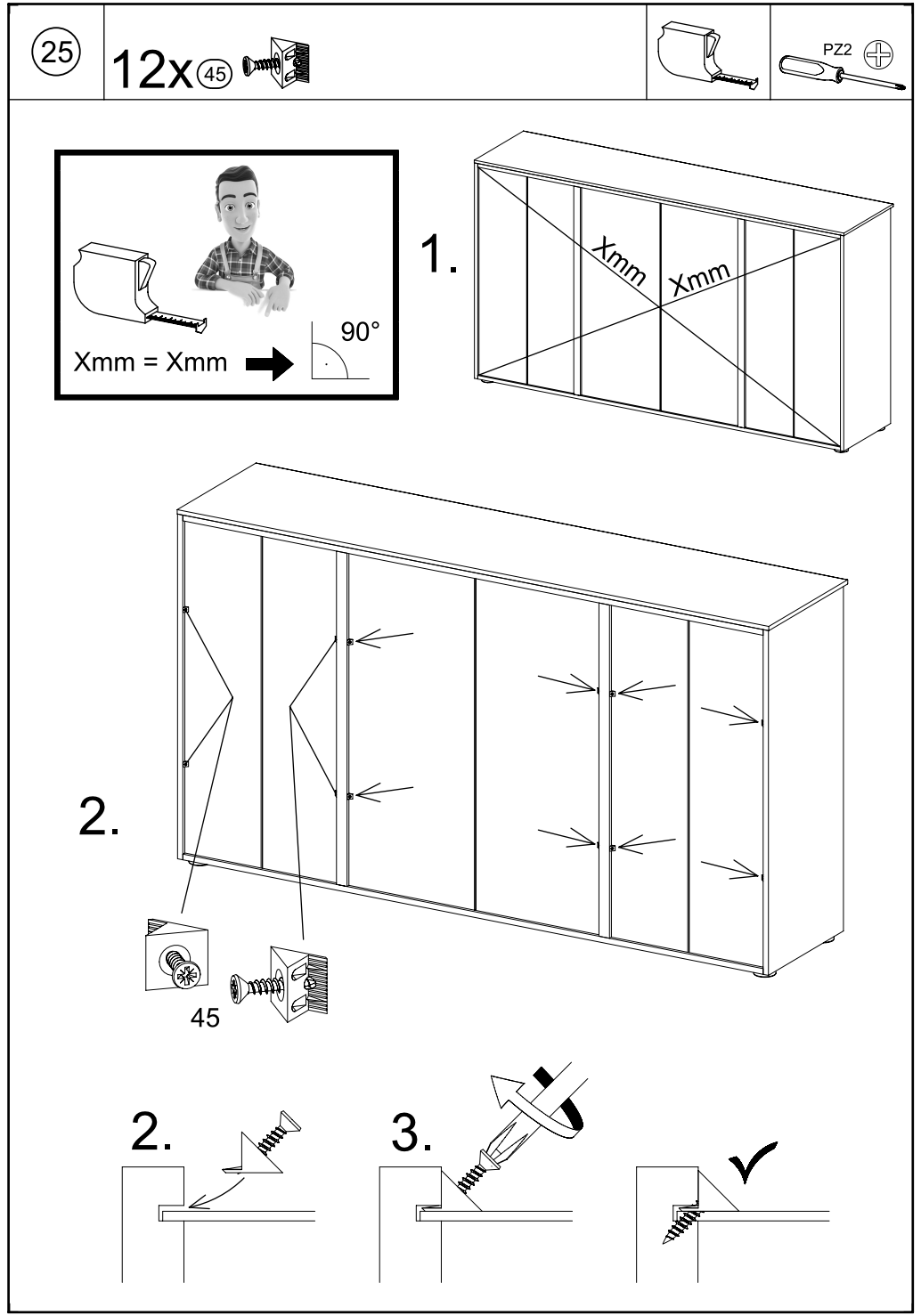
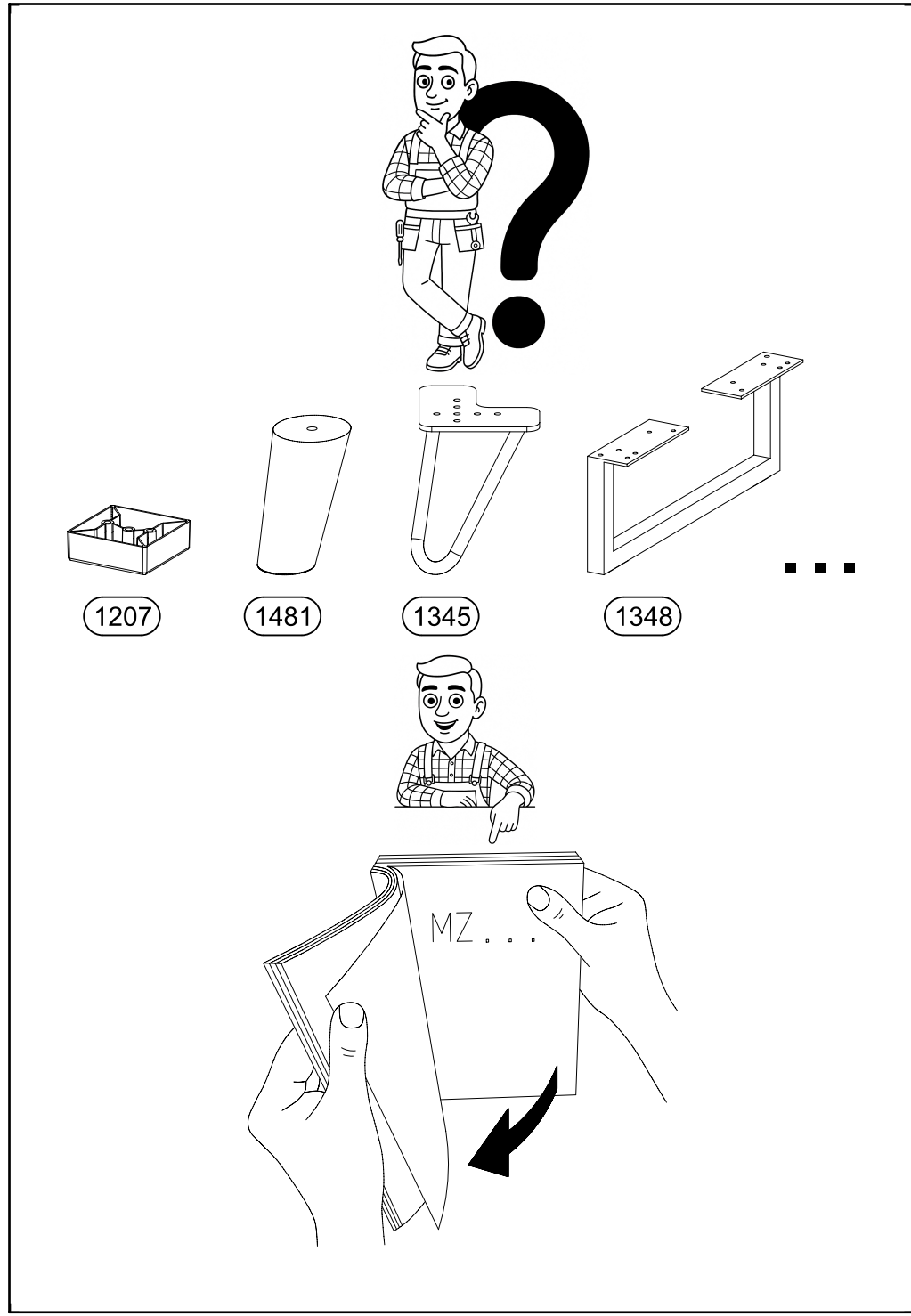
22



23







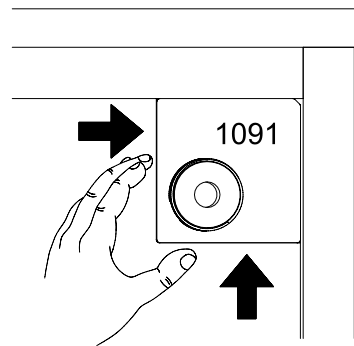
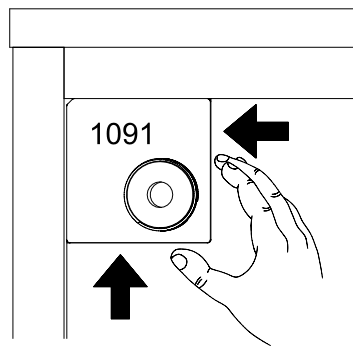
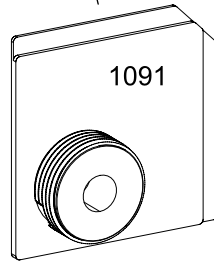
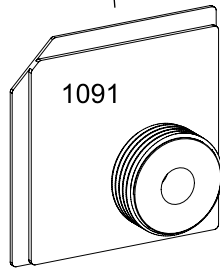
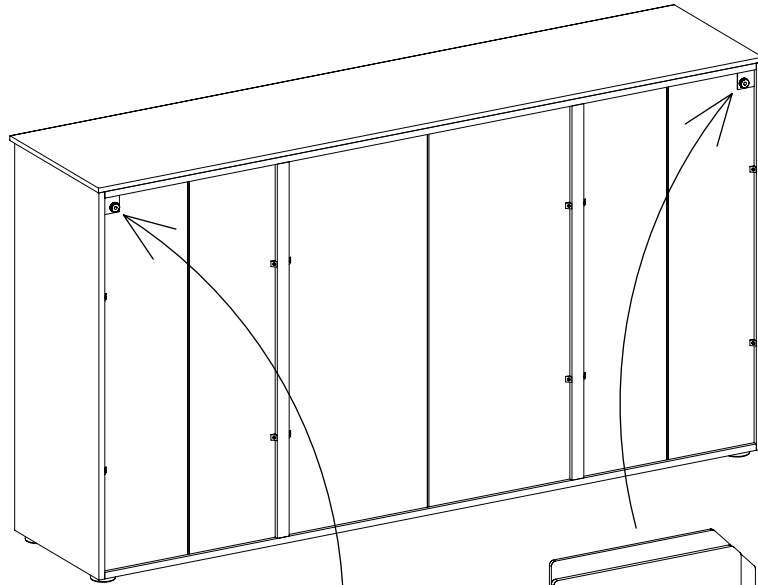
26

2x

1091



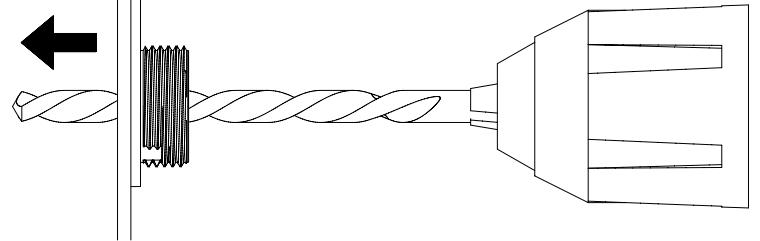
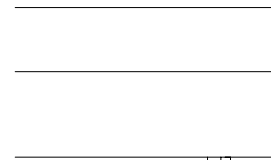
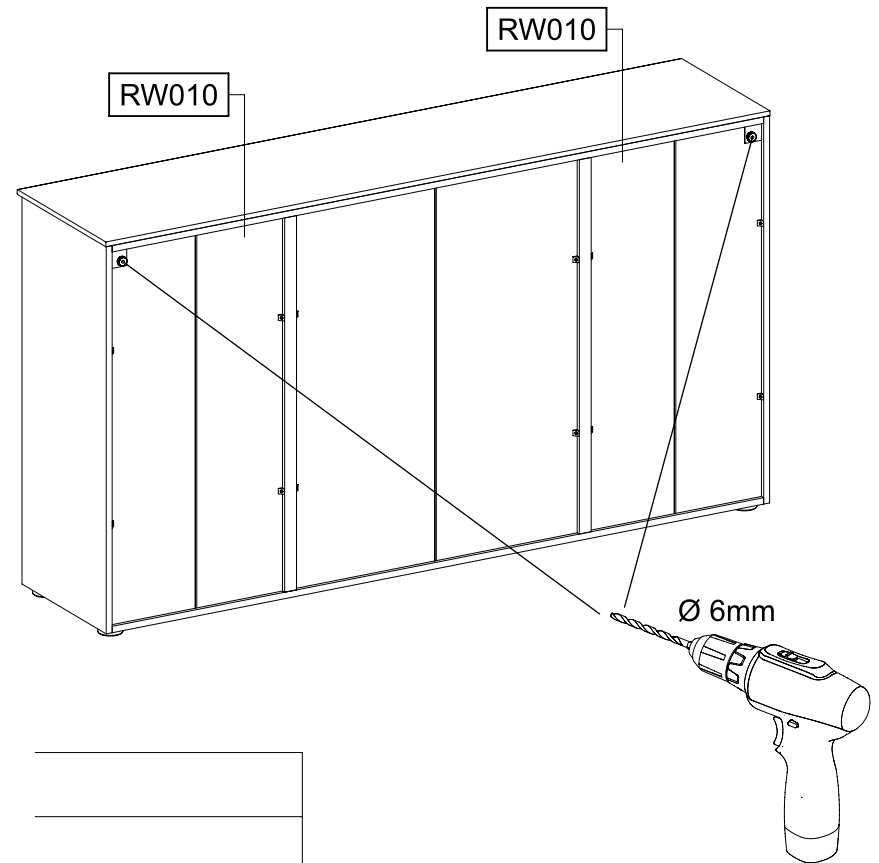
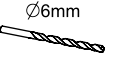
SCAN ME

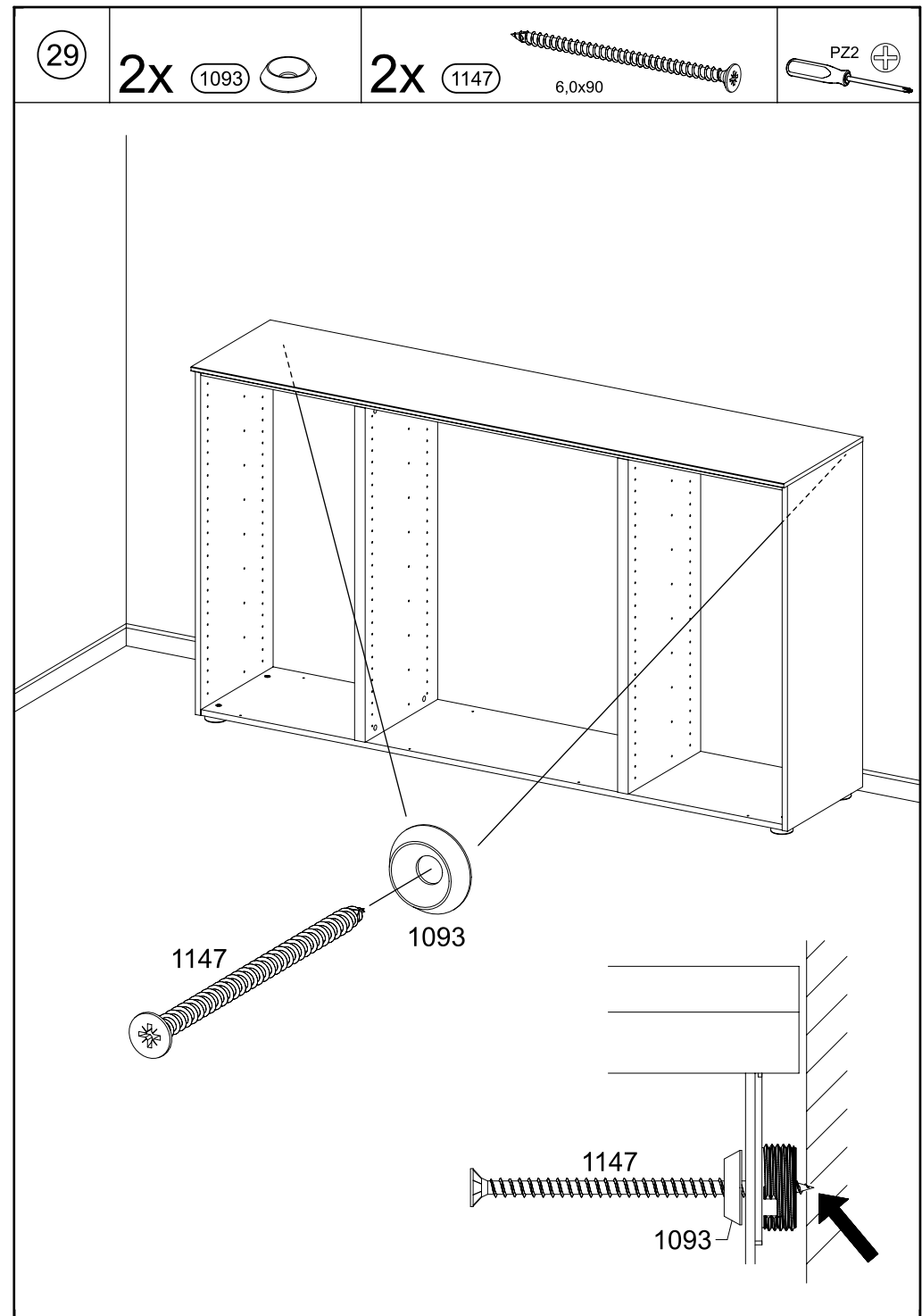
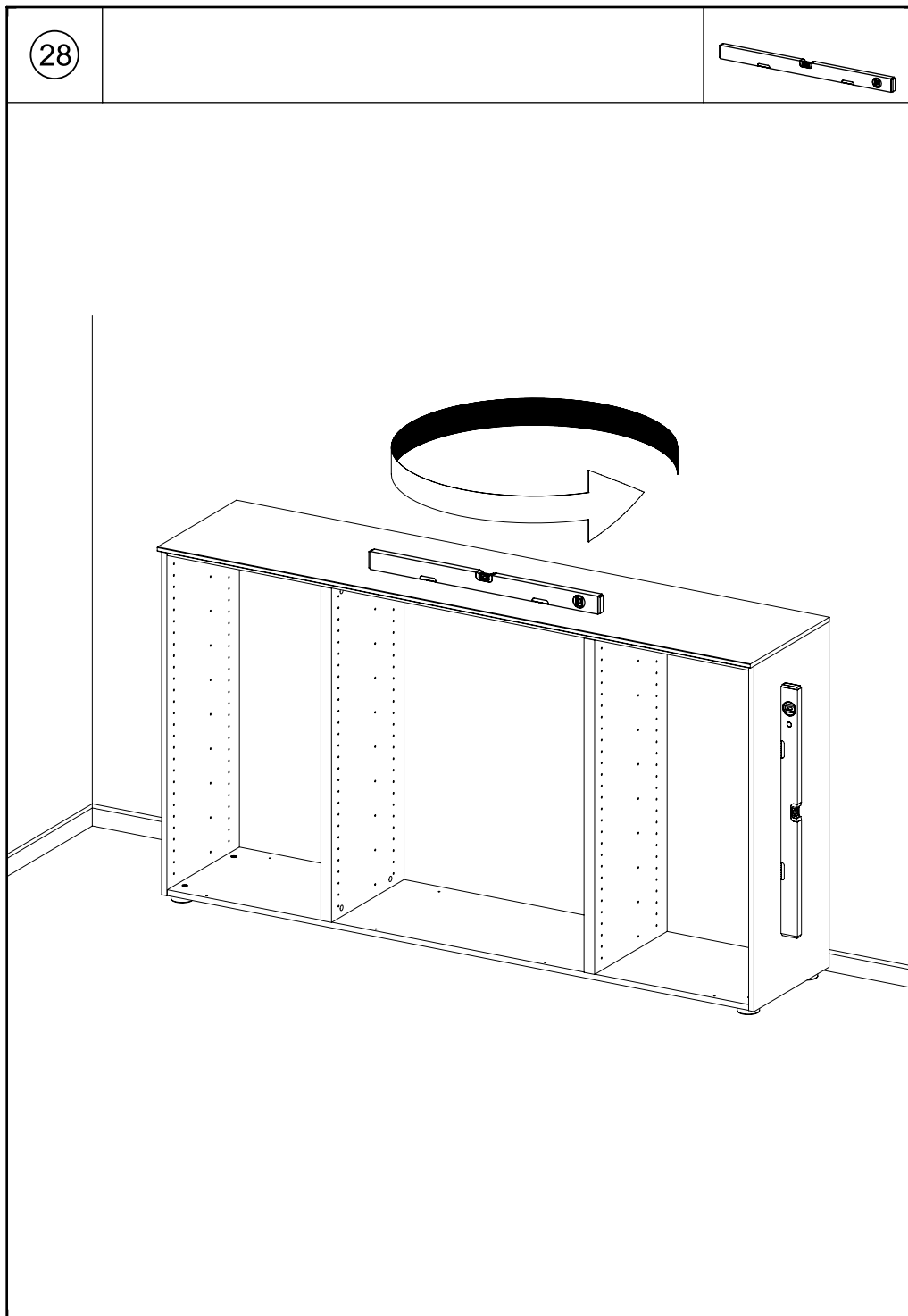


27

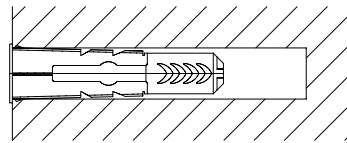
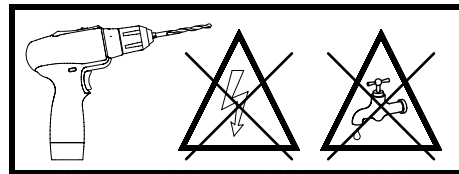
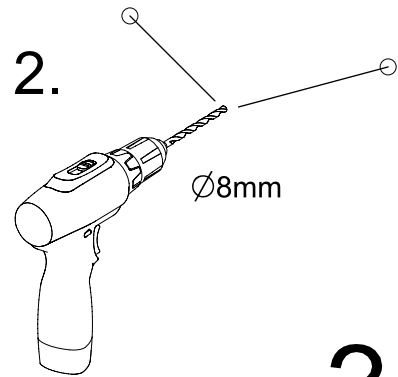
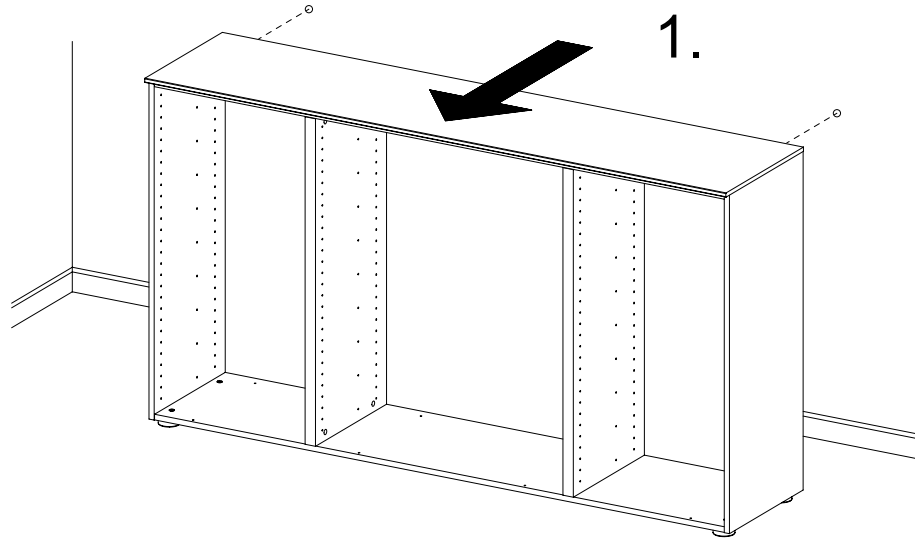
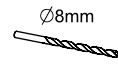


Ø6mm



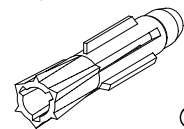
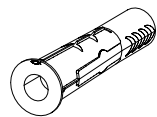


30



?

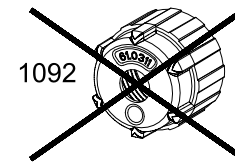
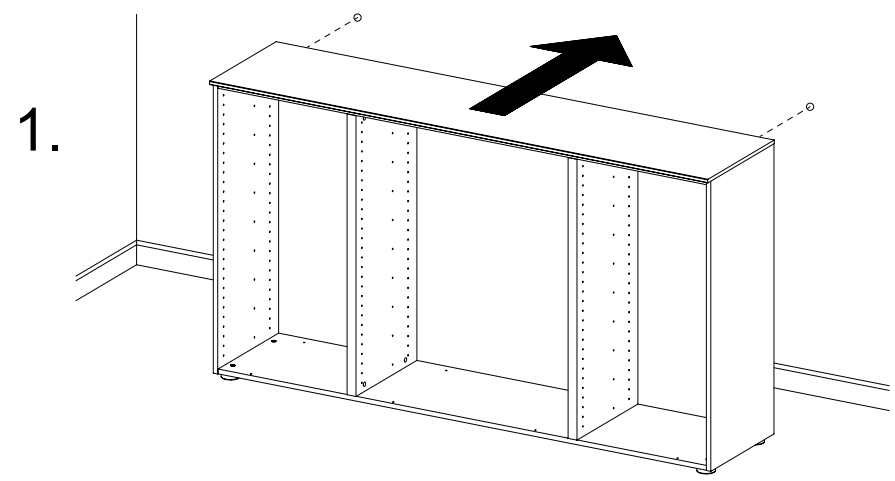
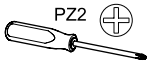
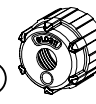
3.



Ø8mm

31

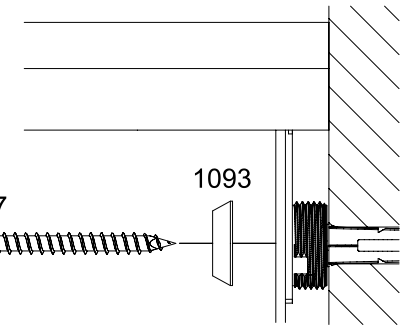
2x 1092



1092



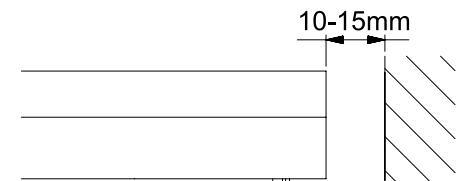
2.



1147

1093

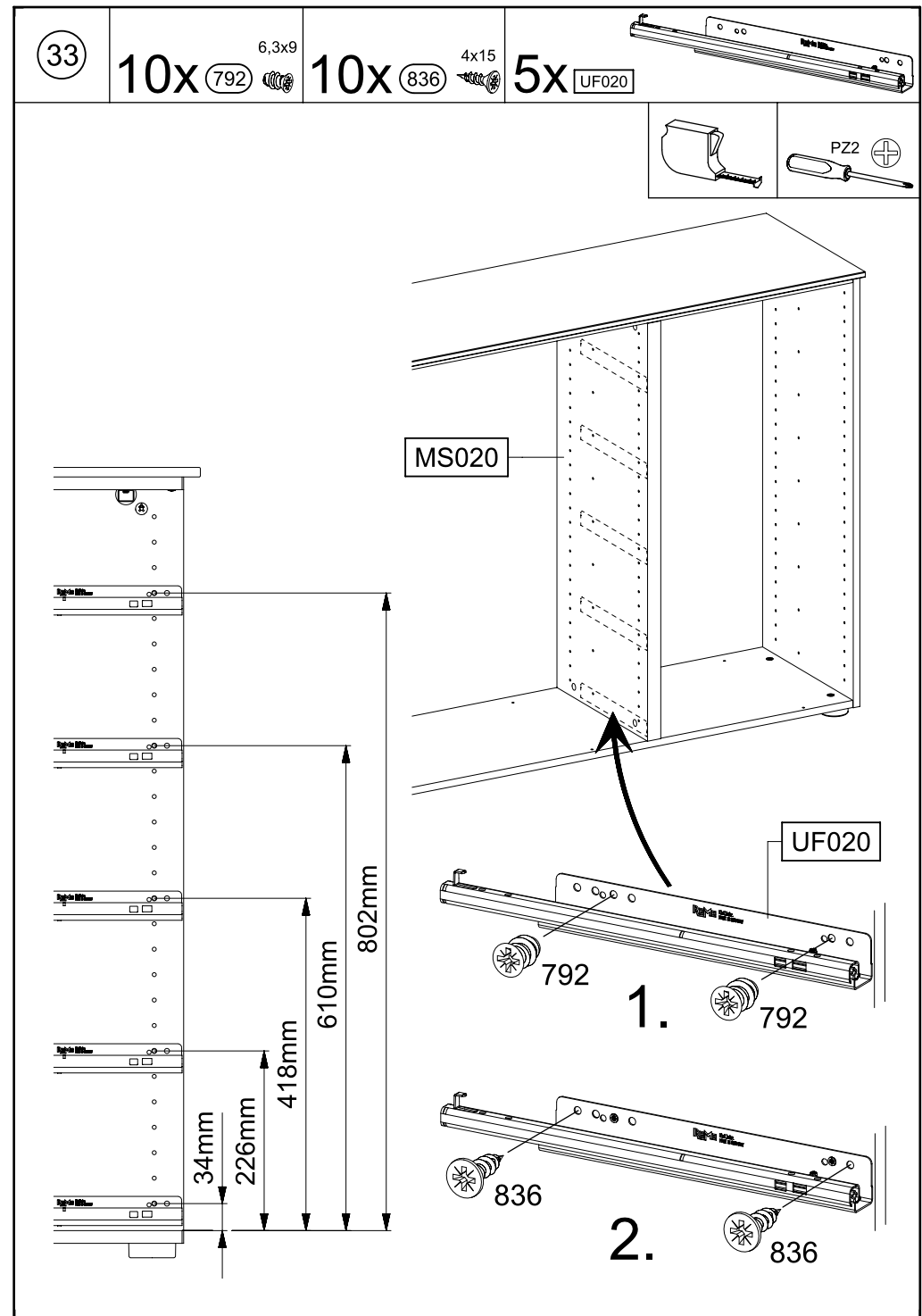
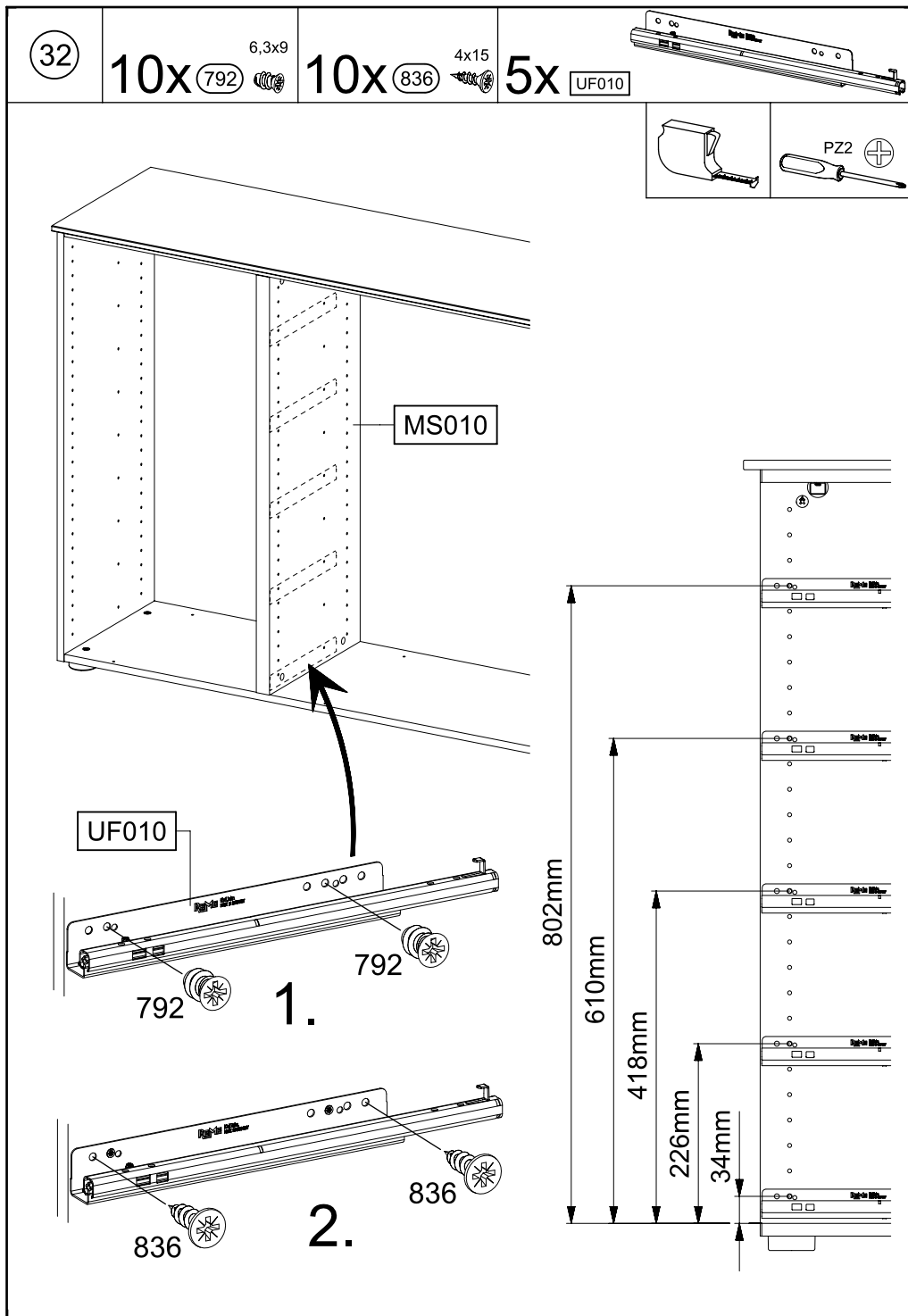
2.



10-15mm

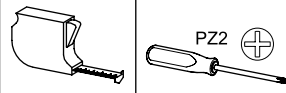
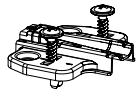
1147

1093



34

2x 1415

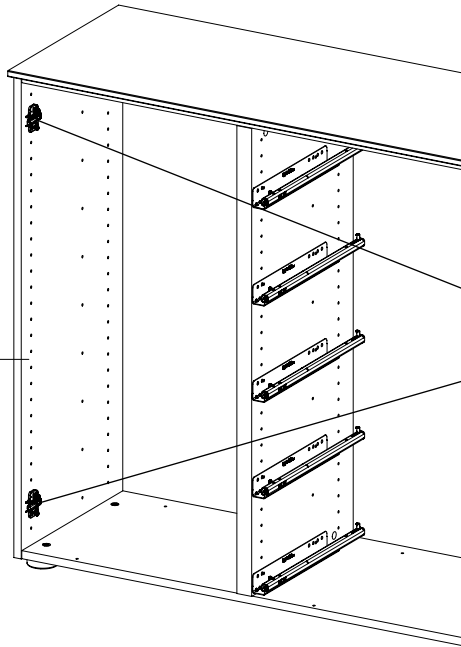


PZ2

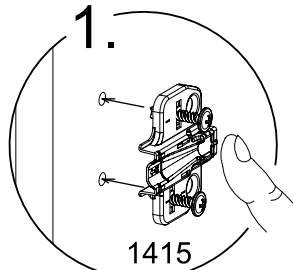
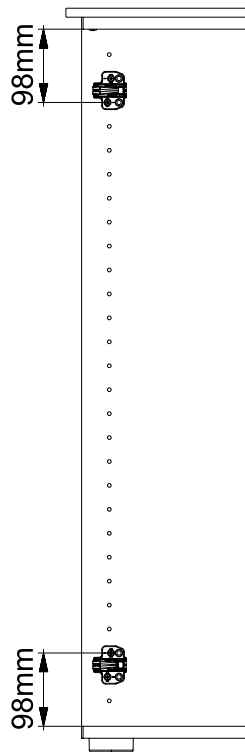
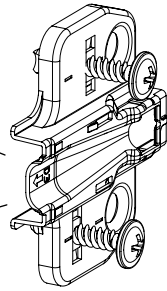


SCAN ME

SE010

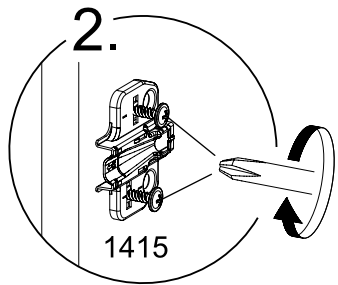


1415



1.

1415

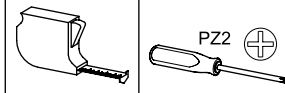
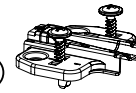


2.

1415

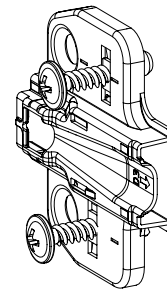
35

2x 1415

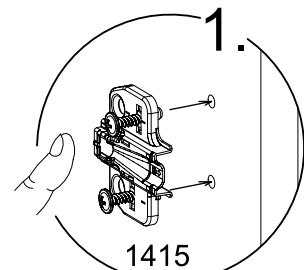
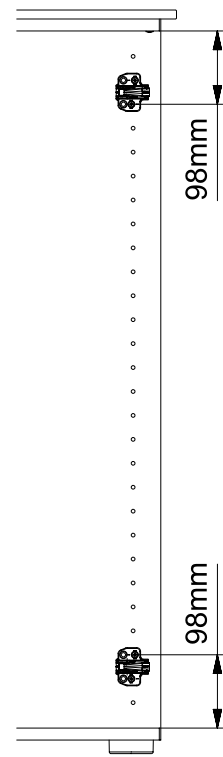
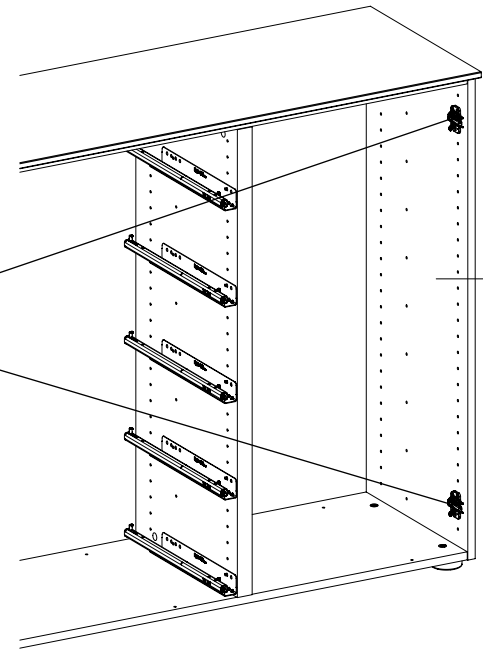


PZ2

1415

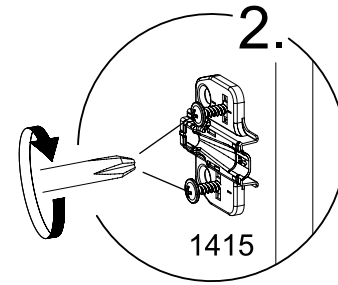


SE020



1.

1415

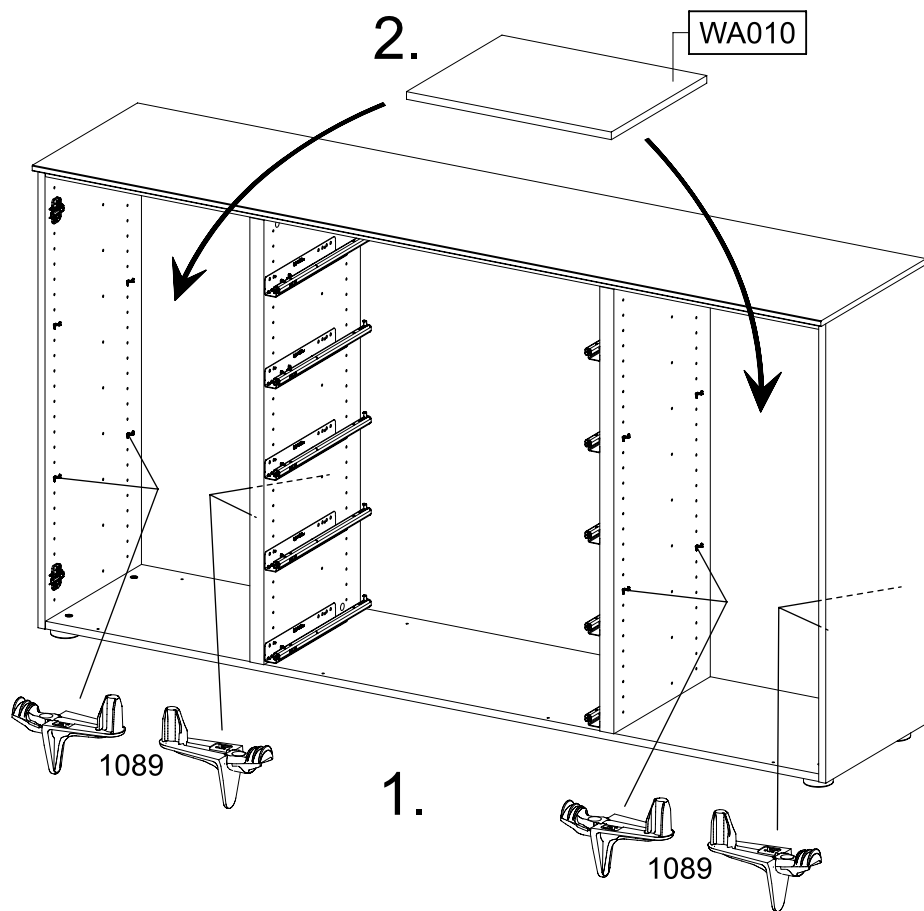


2.

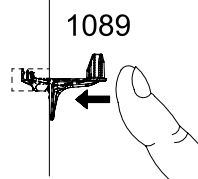
1415

36

16x (1089)

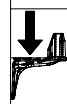


1.



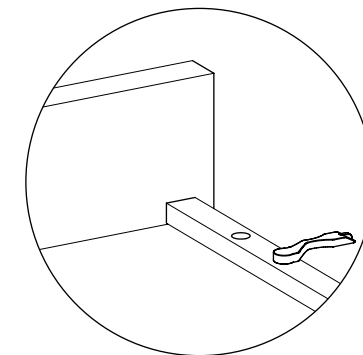
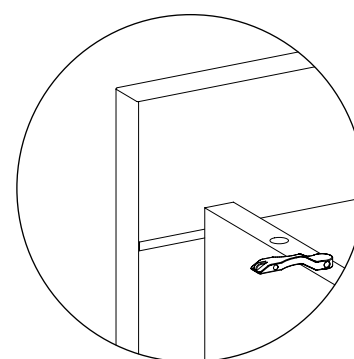
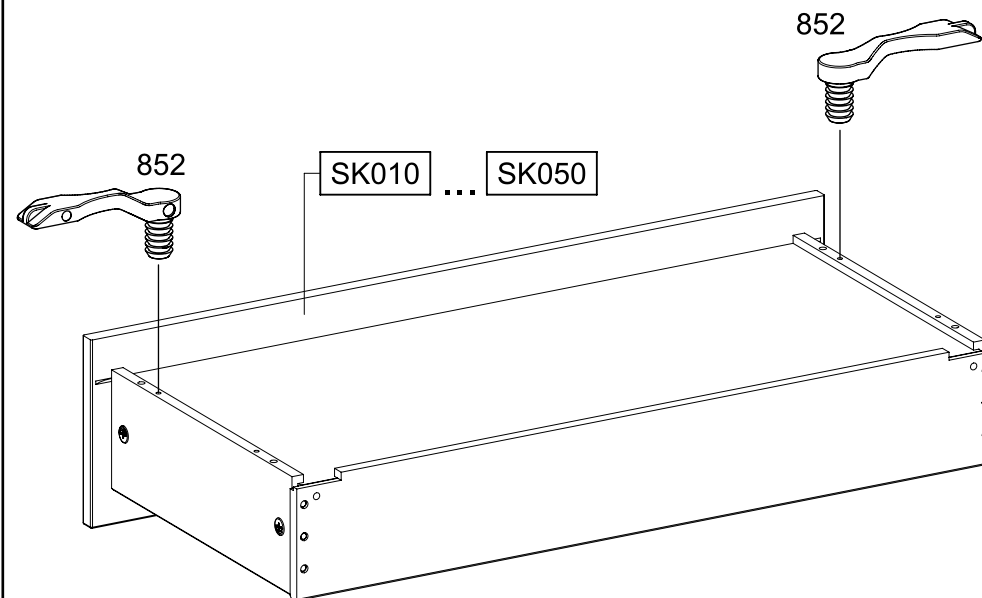
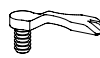
WA010

2.

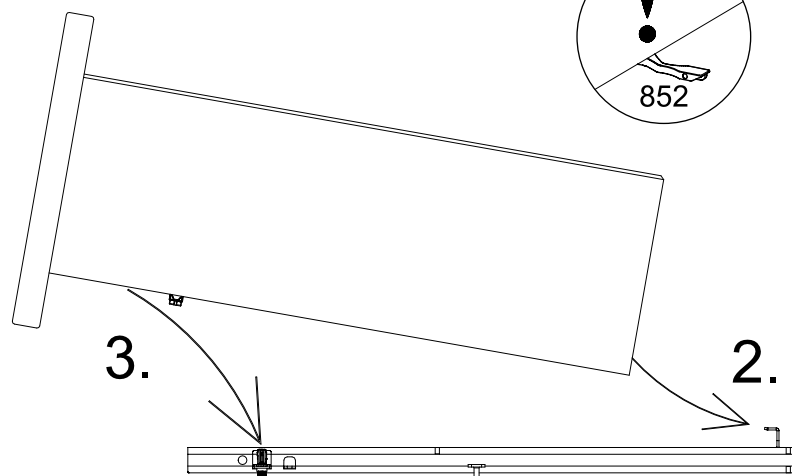
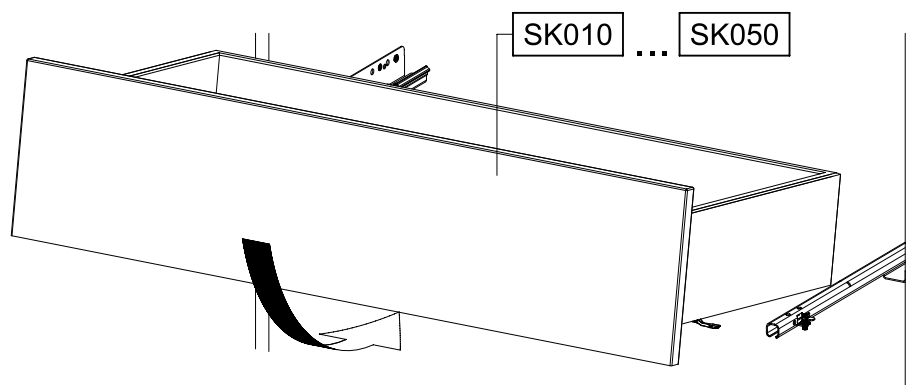
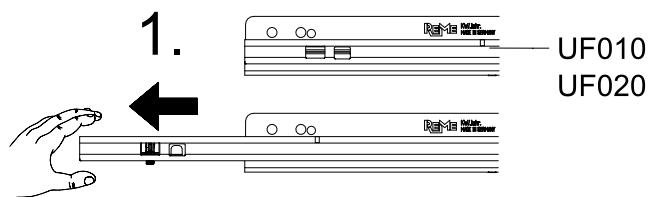


37

10x (852)

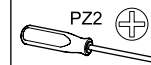
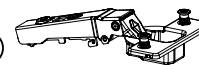


38

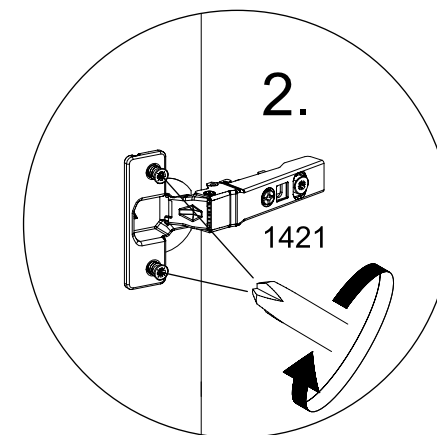
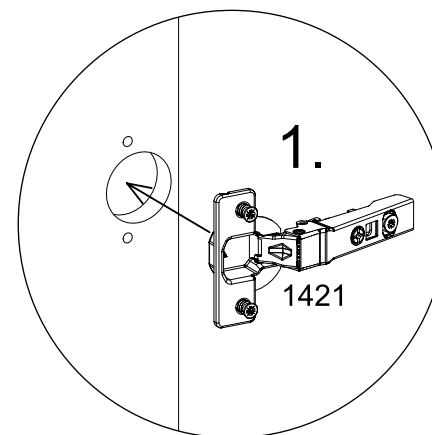
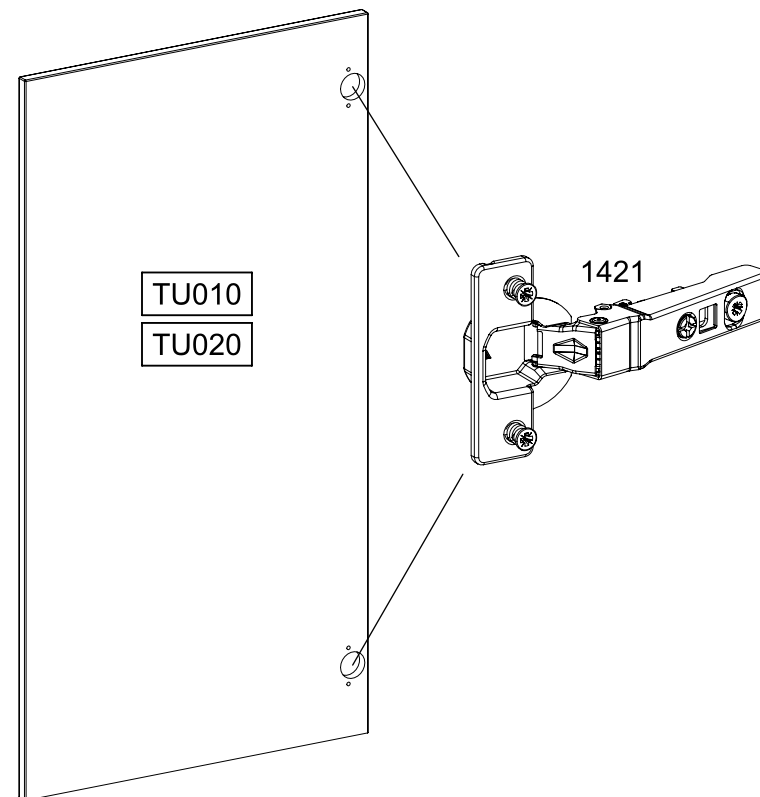


39

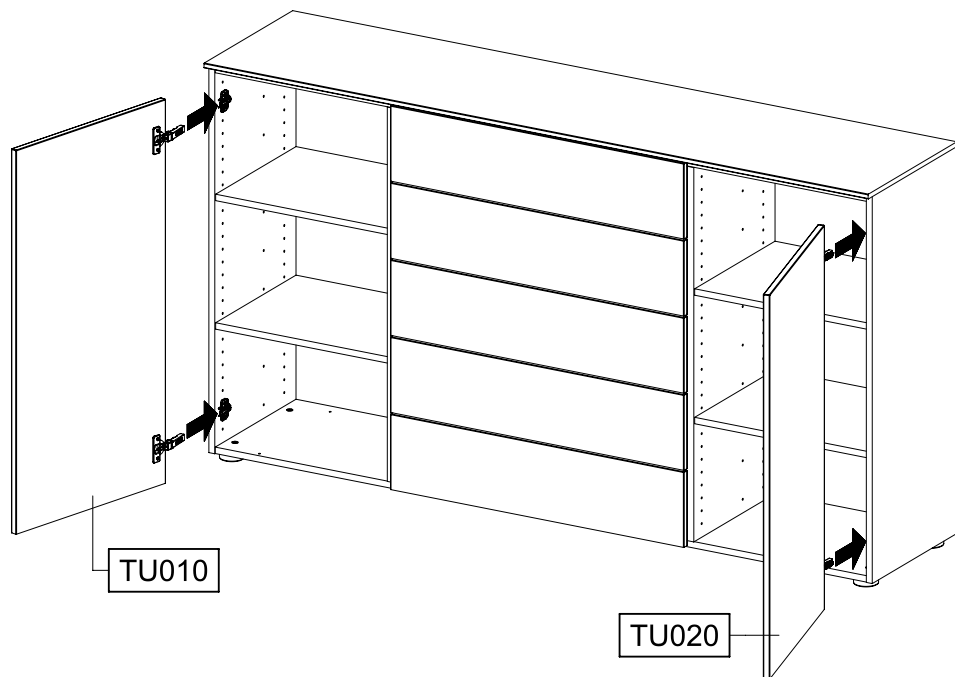
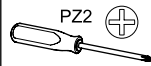
4x 1421



SCAN ME

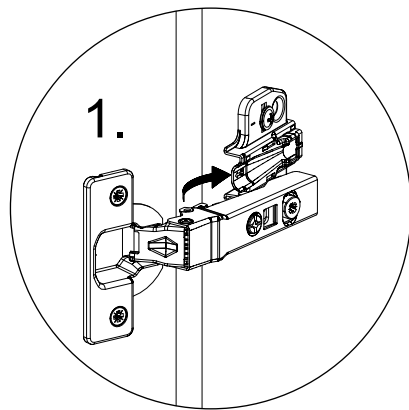


40

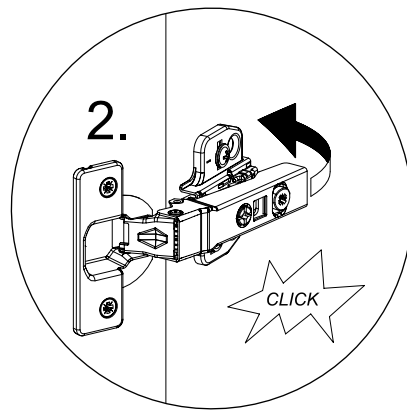


TU010

TU020



1.



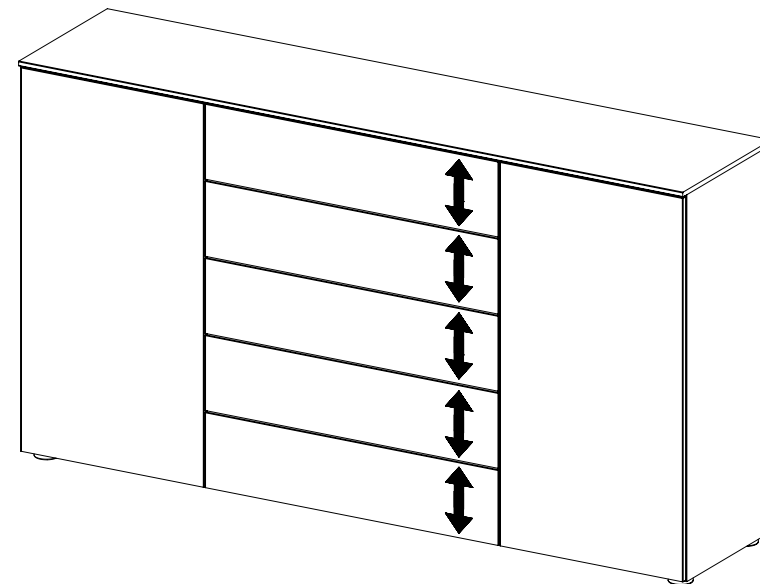
2.

CLICK

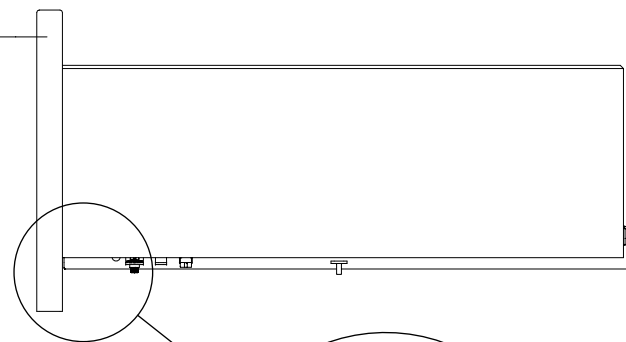
41



SCAN ME

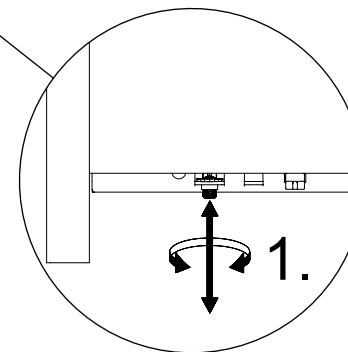


SK010  
SK020  
SK030  
SK040  
SK050



2.

852

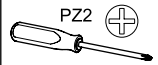


1.

2.

852

42



SCAN ME

