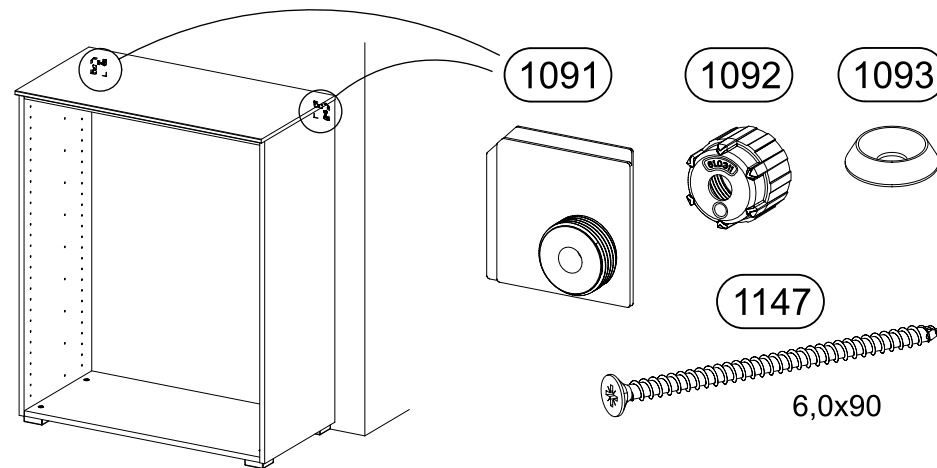
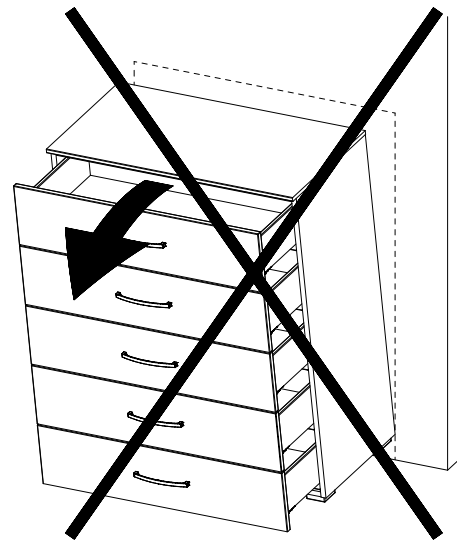
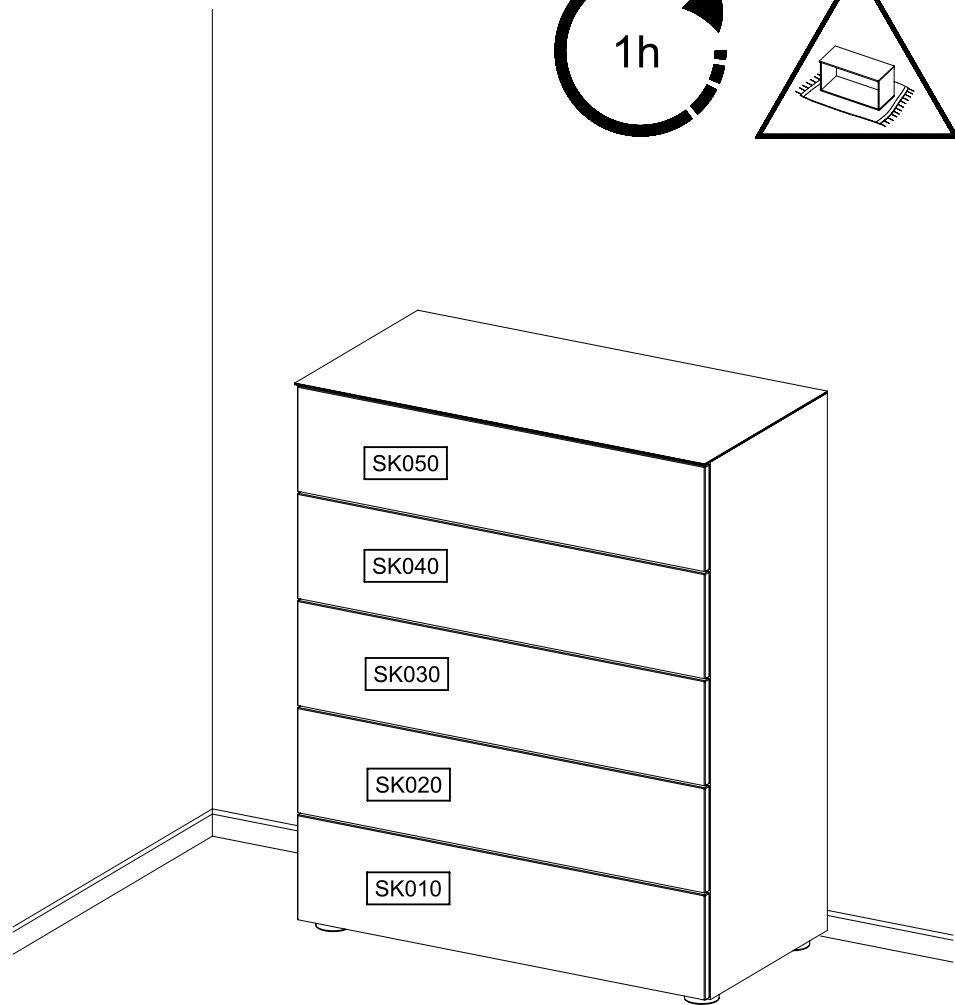
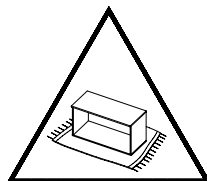
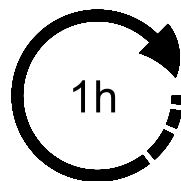
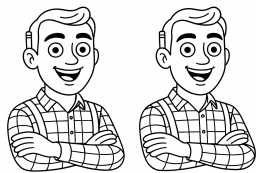
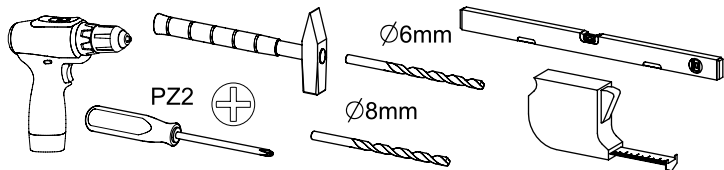


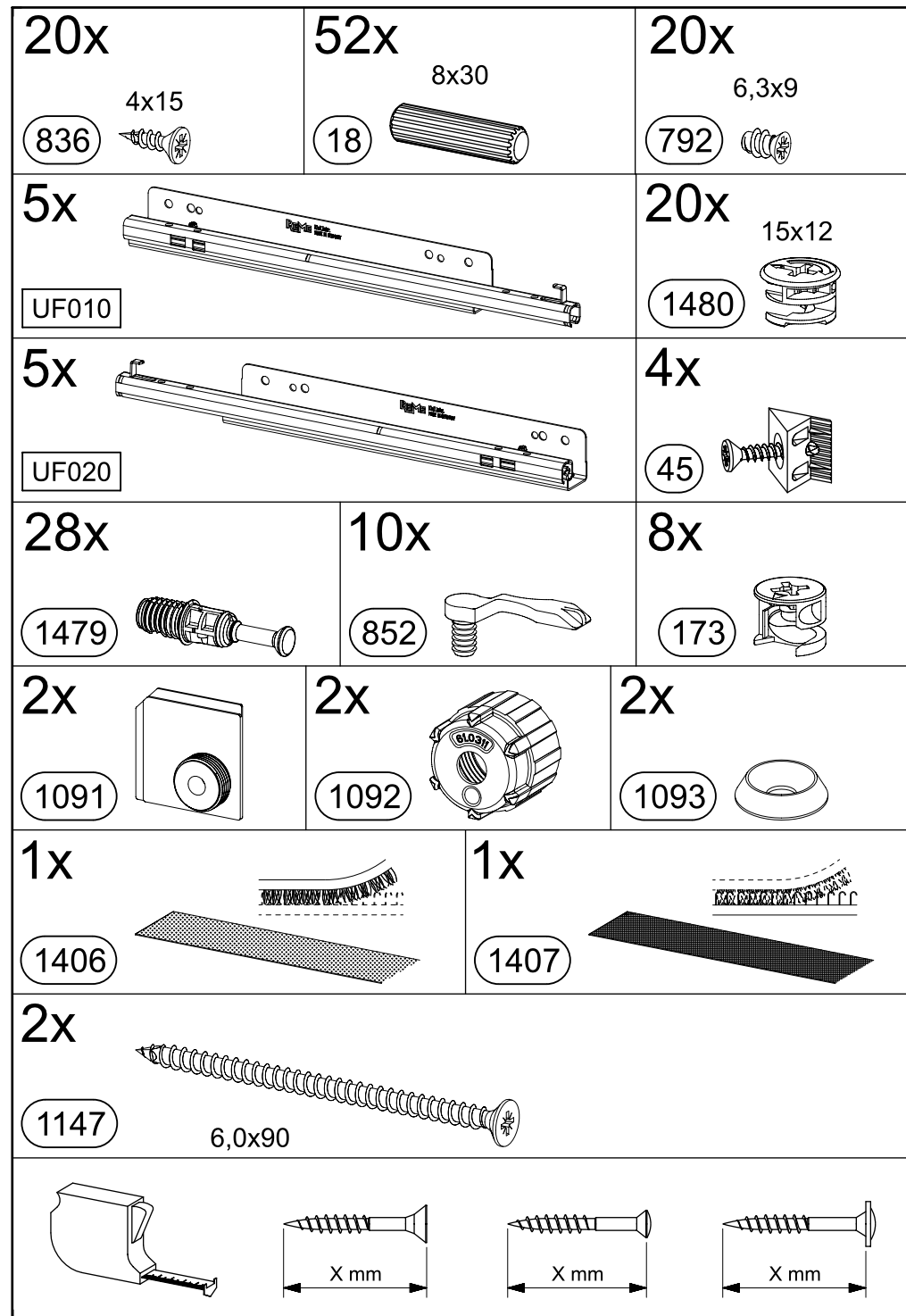
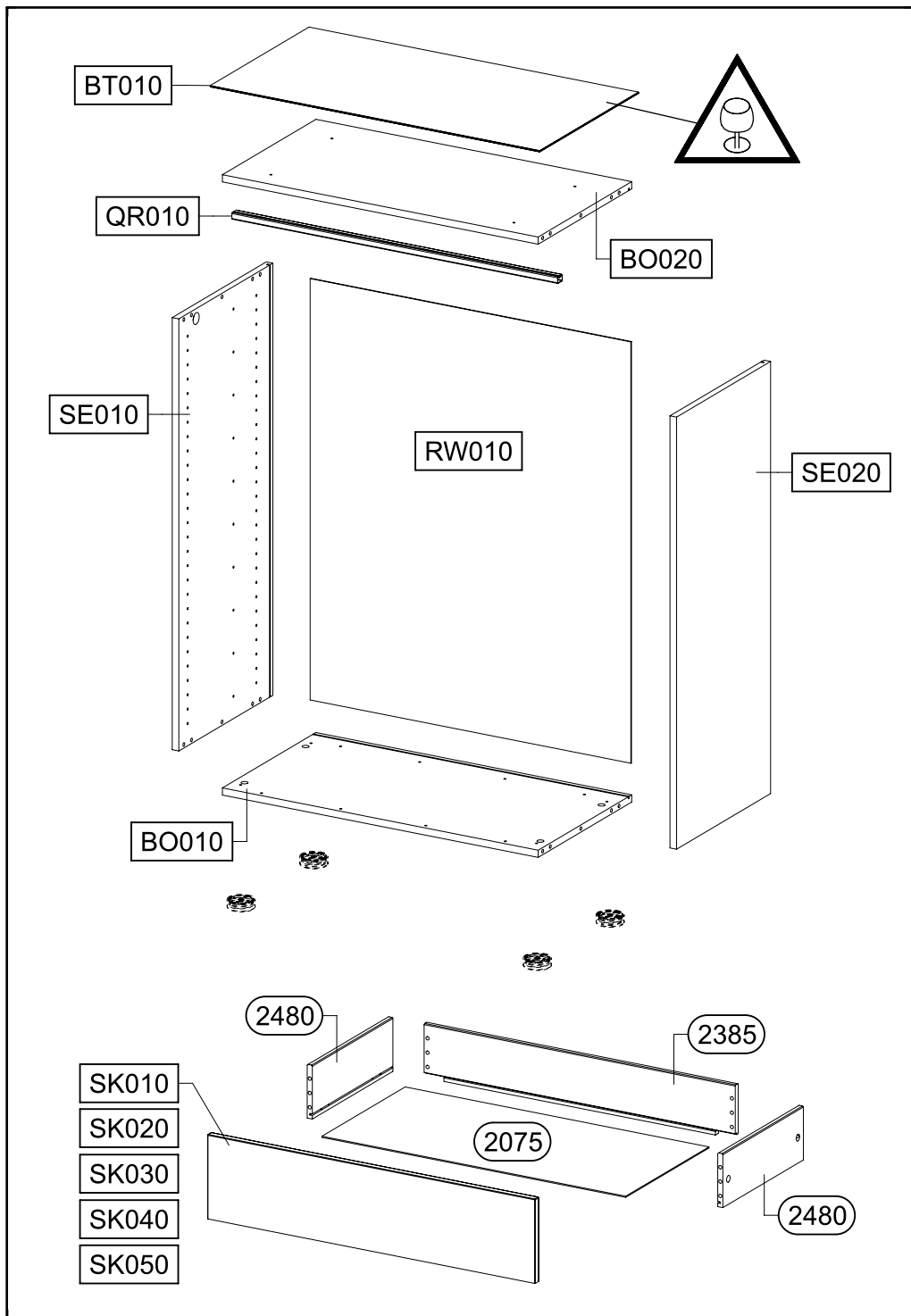
M3167_02

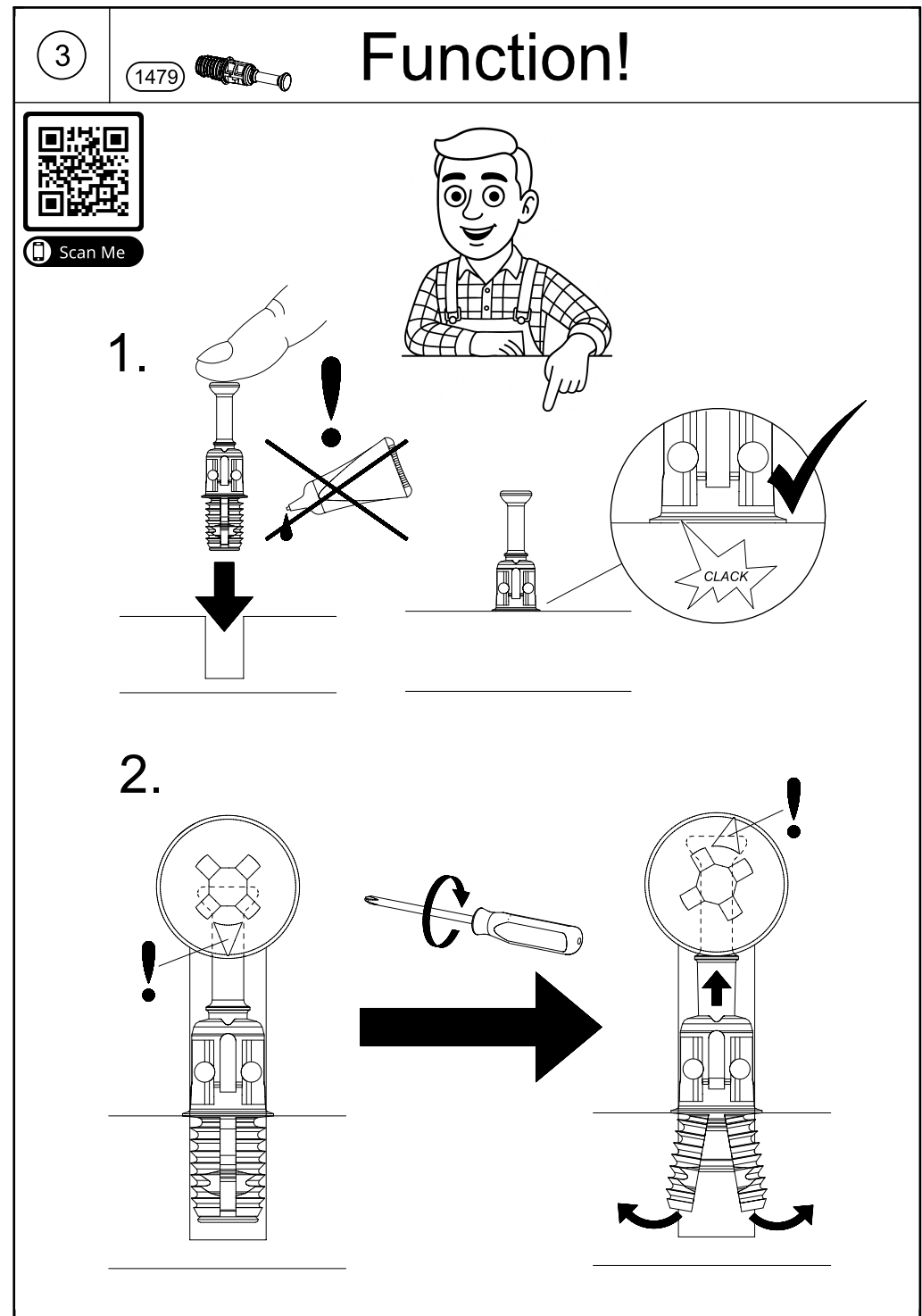
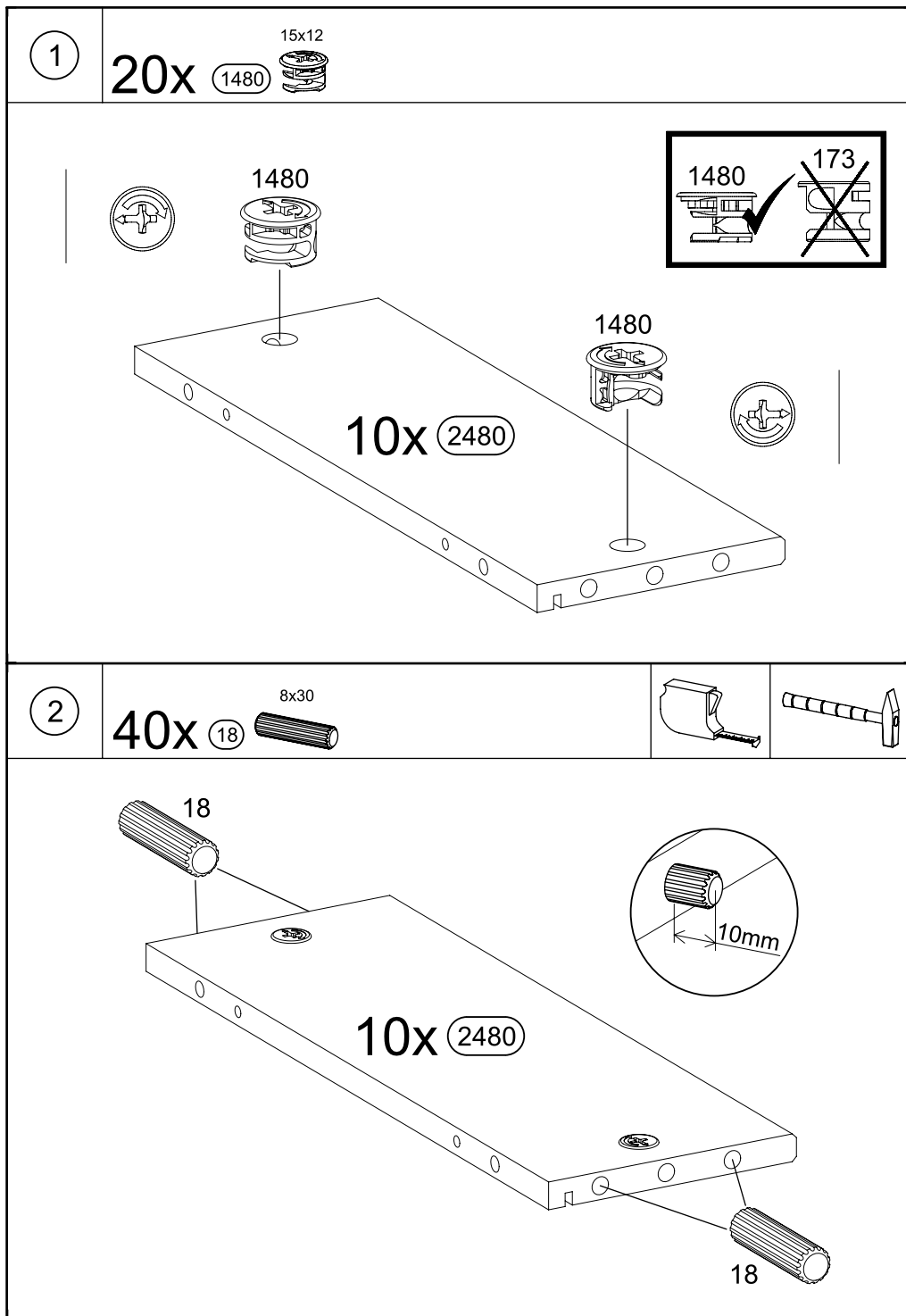


VIDEO



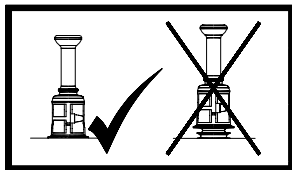
SCAN ME



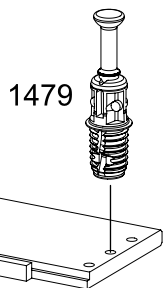


4

10x 1479 

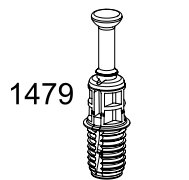
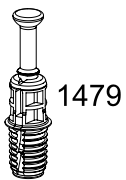
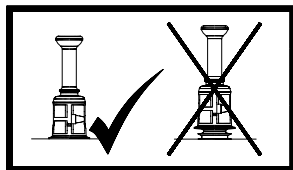


5x 2385



5

10x 1479 

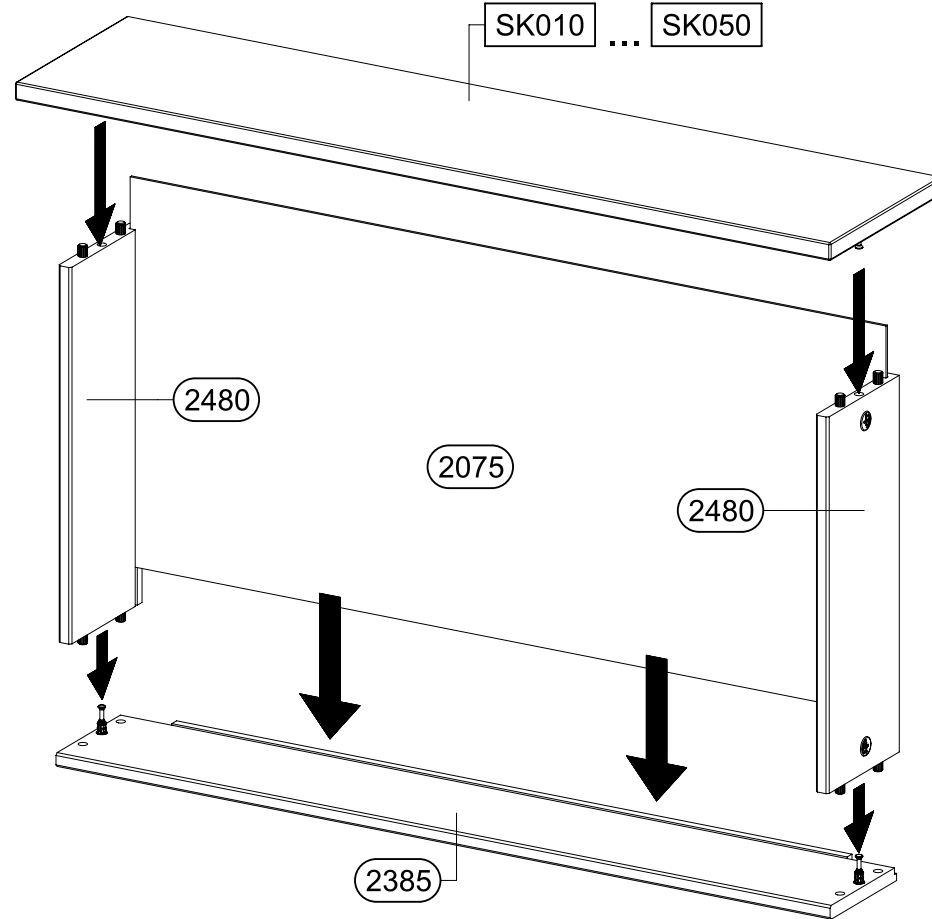


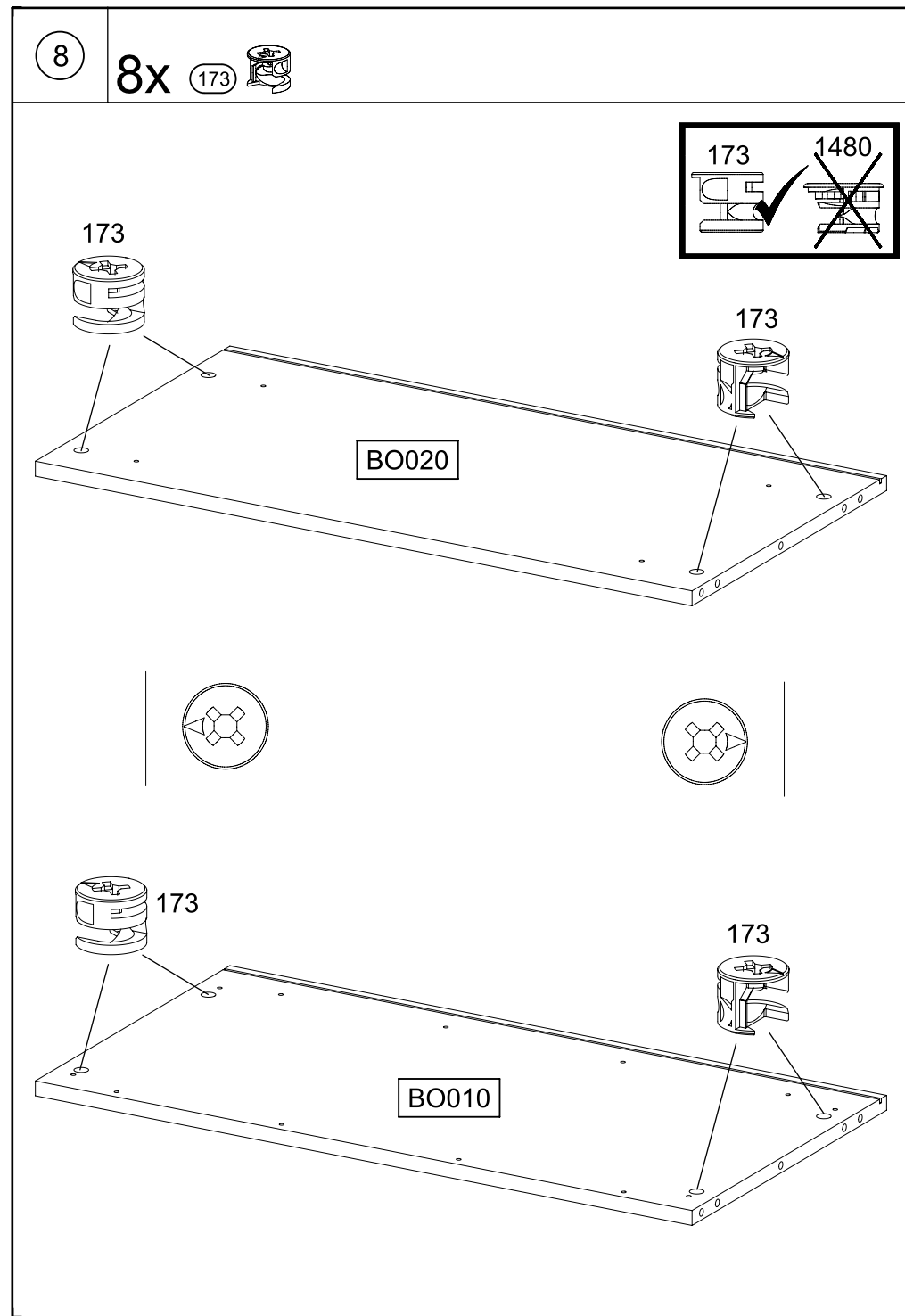
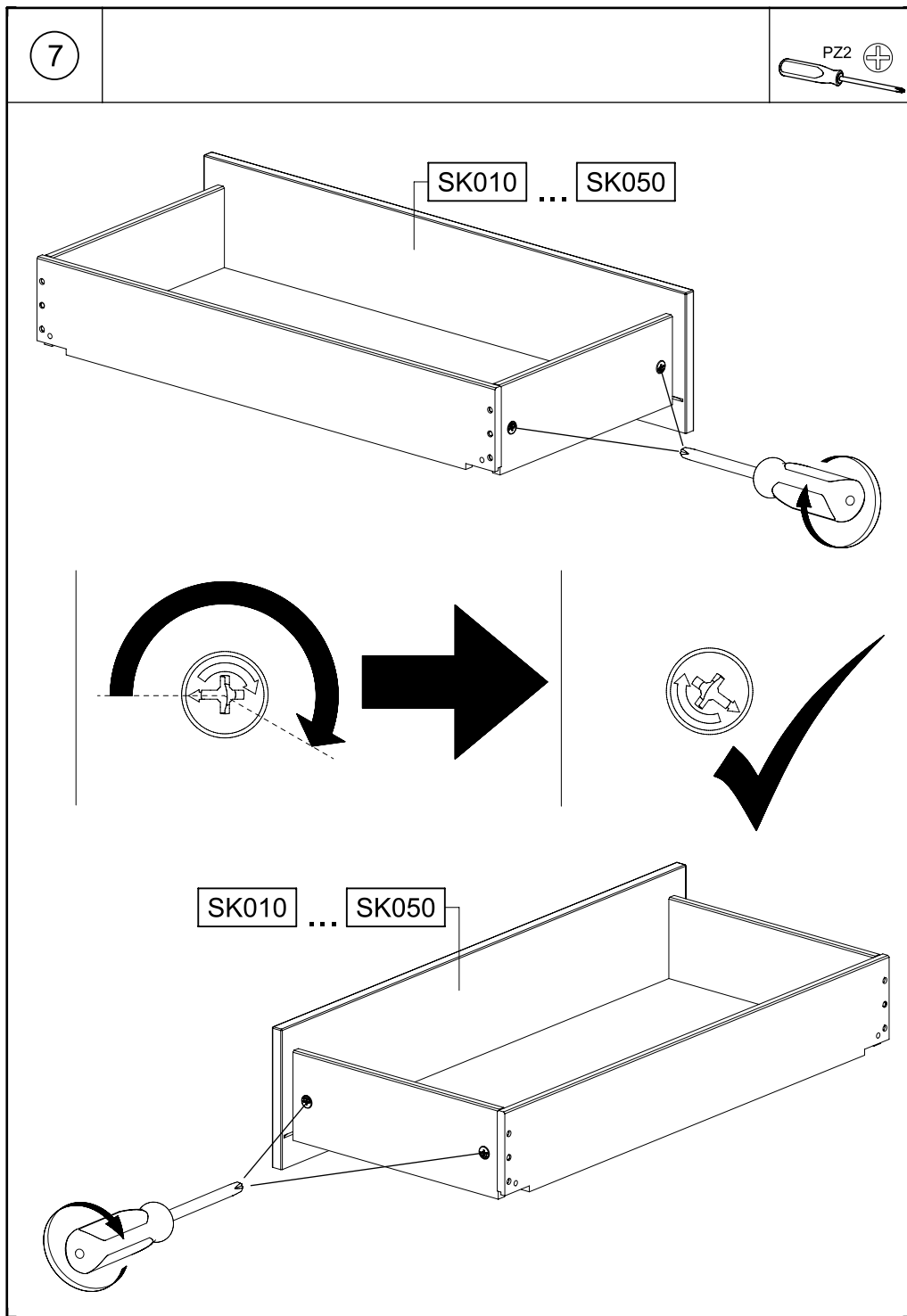
SK010 ... SK050

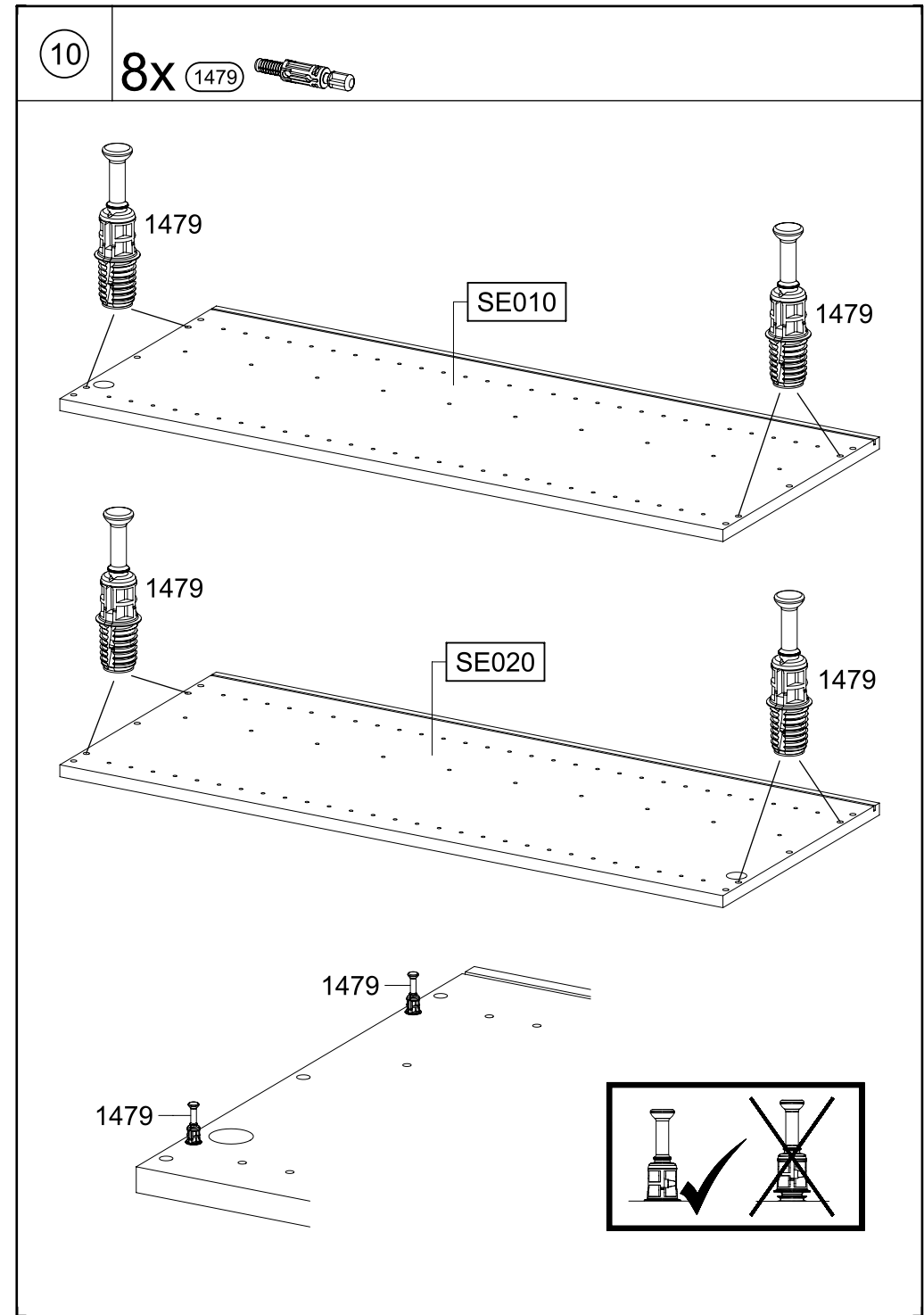
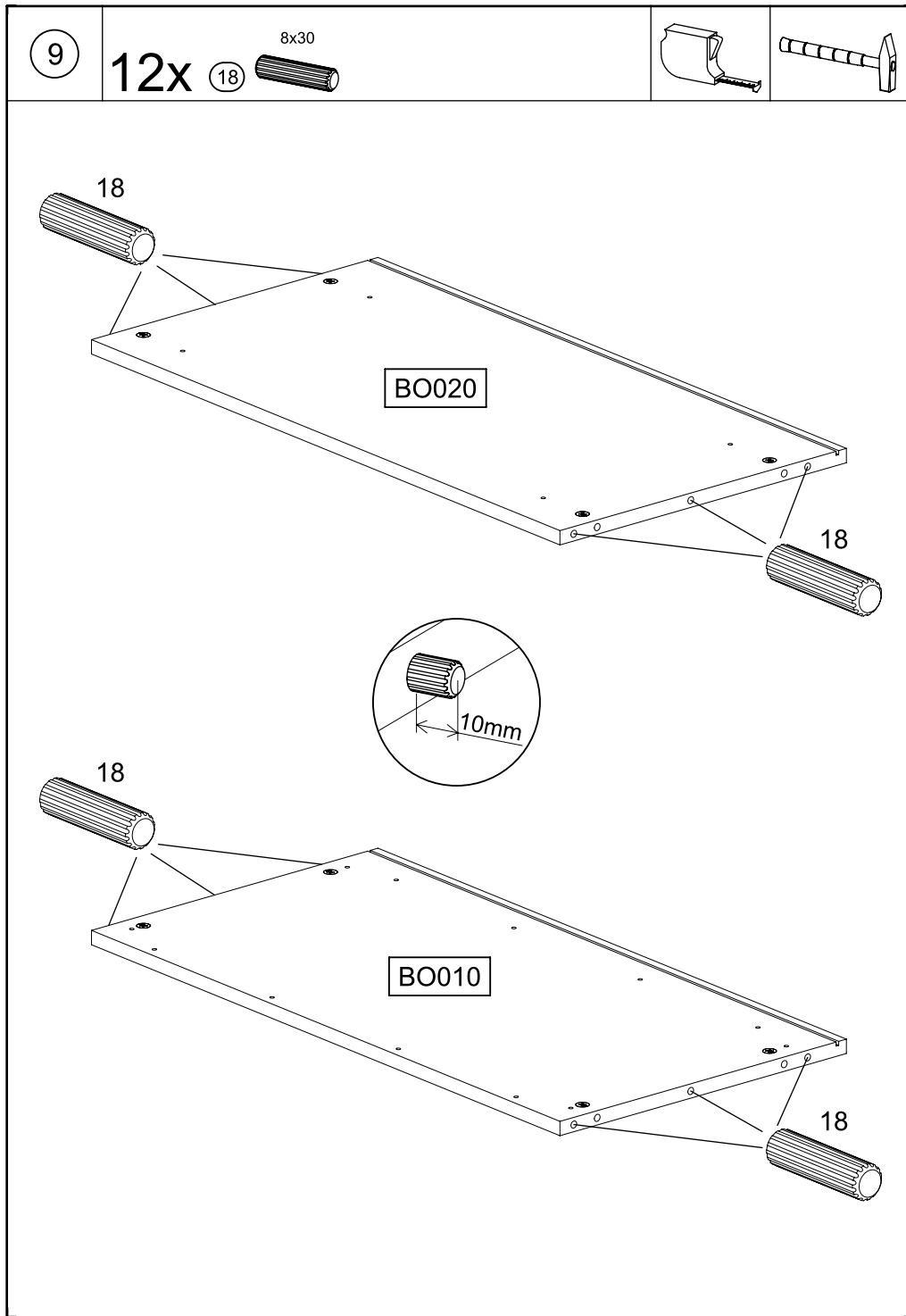
6

5x

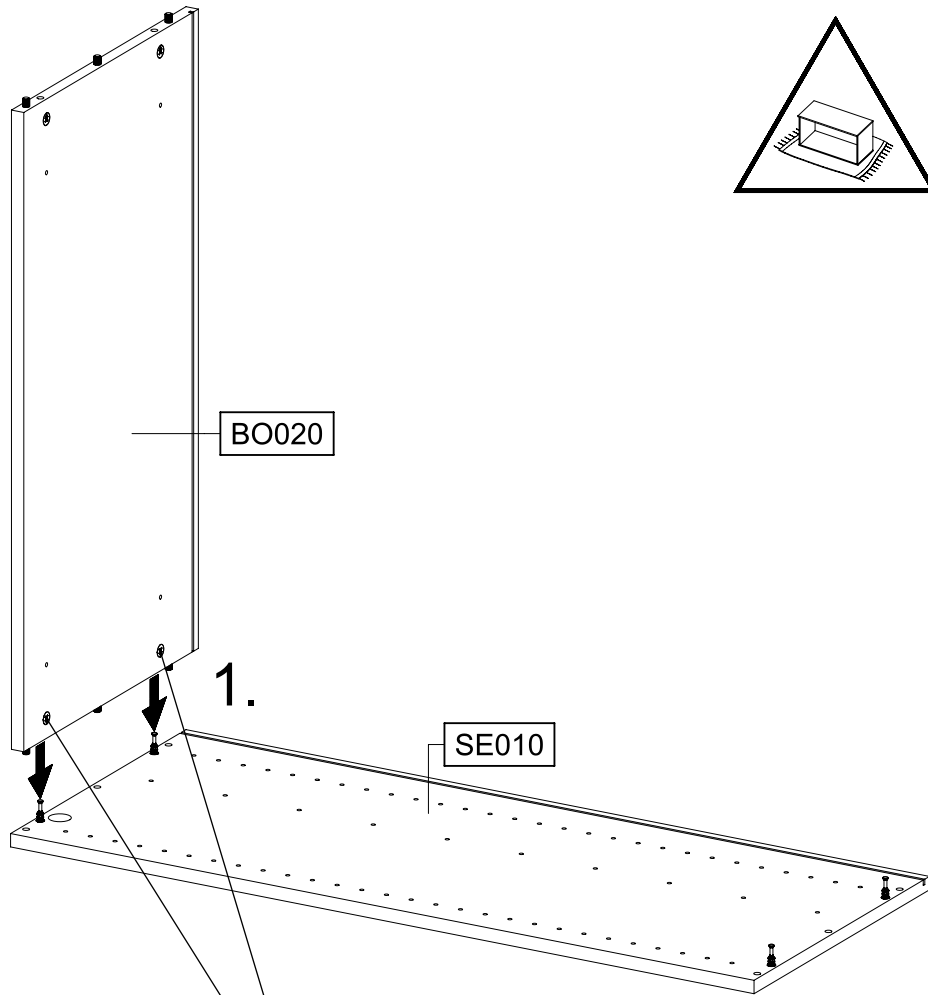
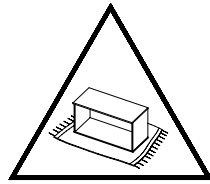
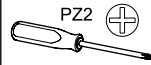
SK010 ... SK050



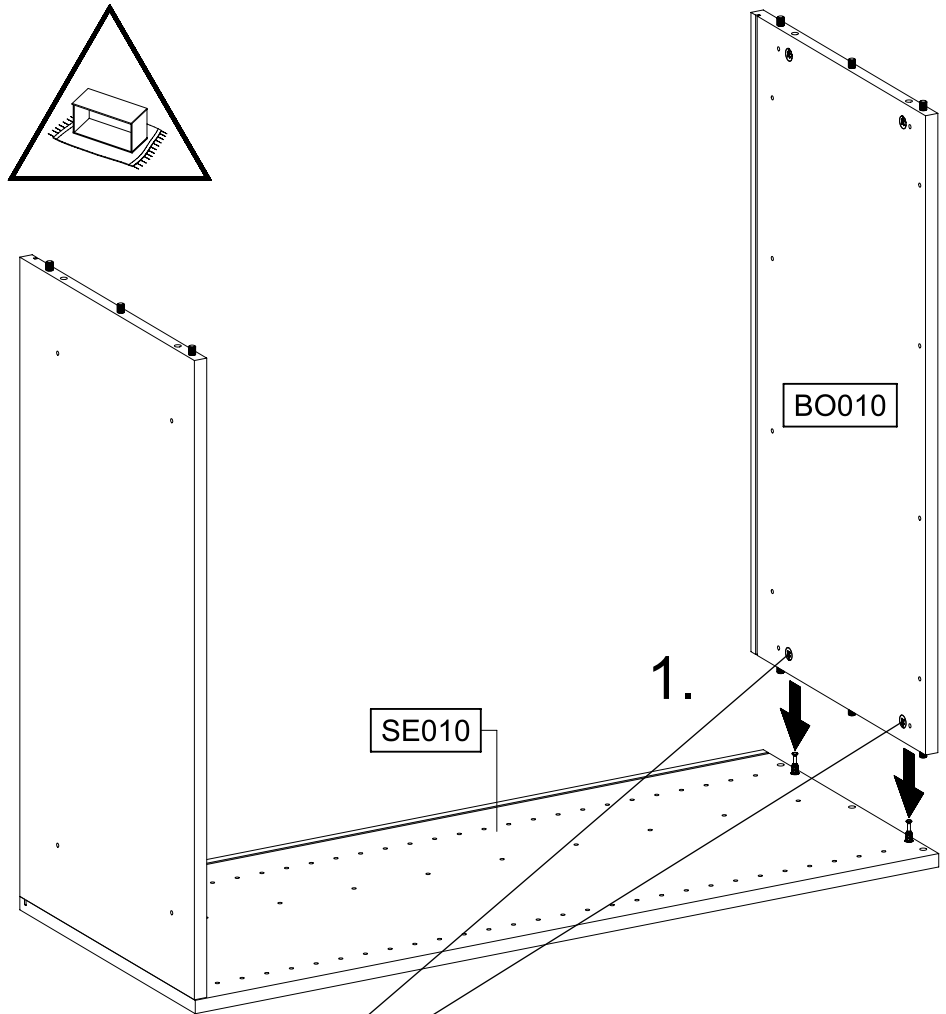
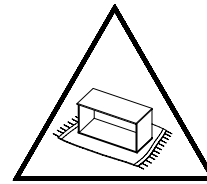
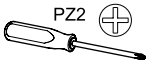




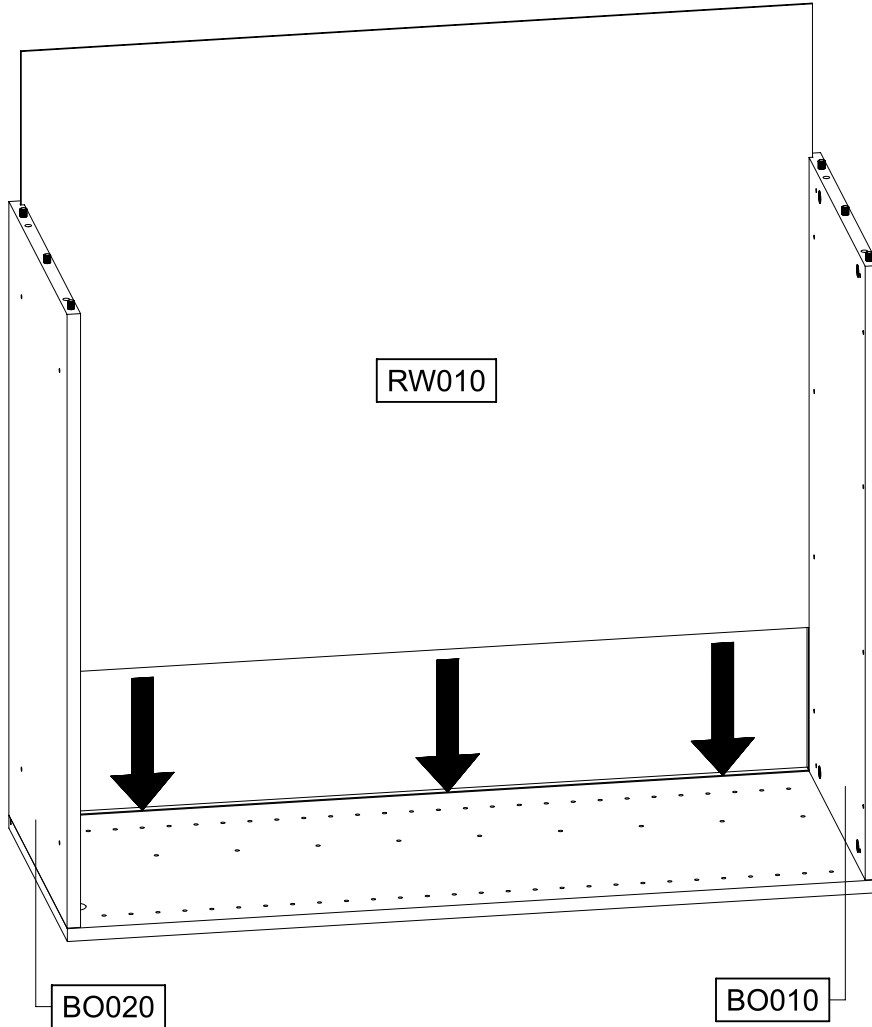
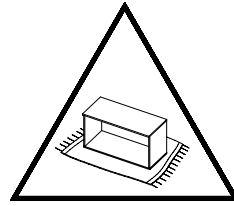
11



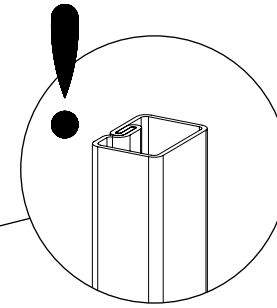
12



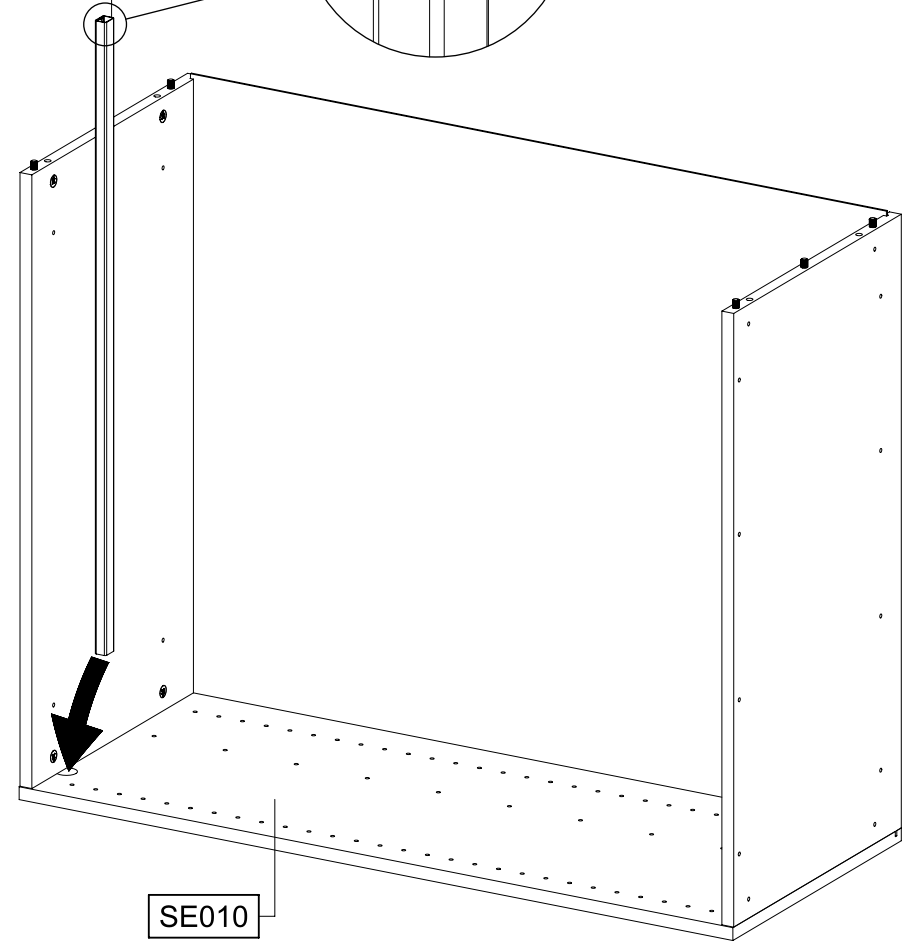
13



14

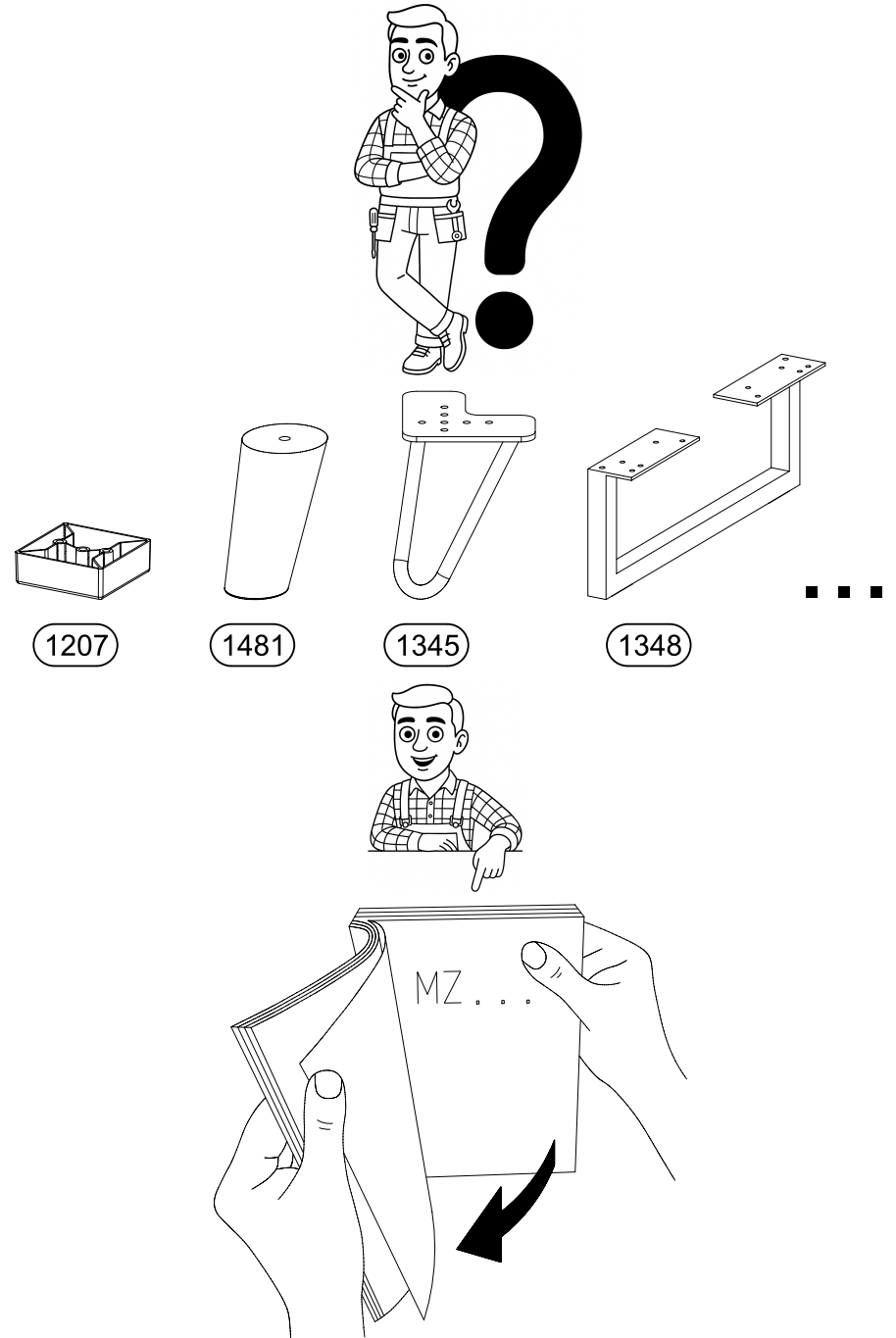
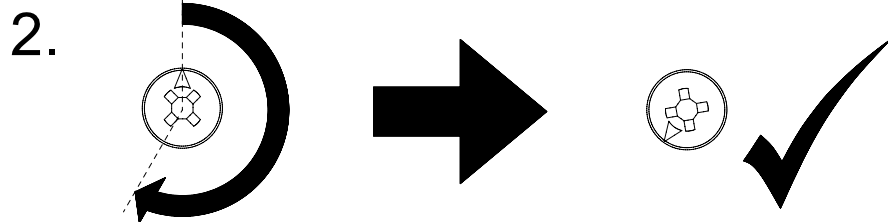
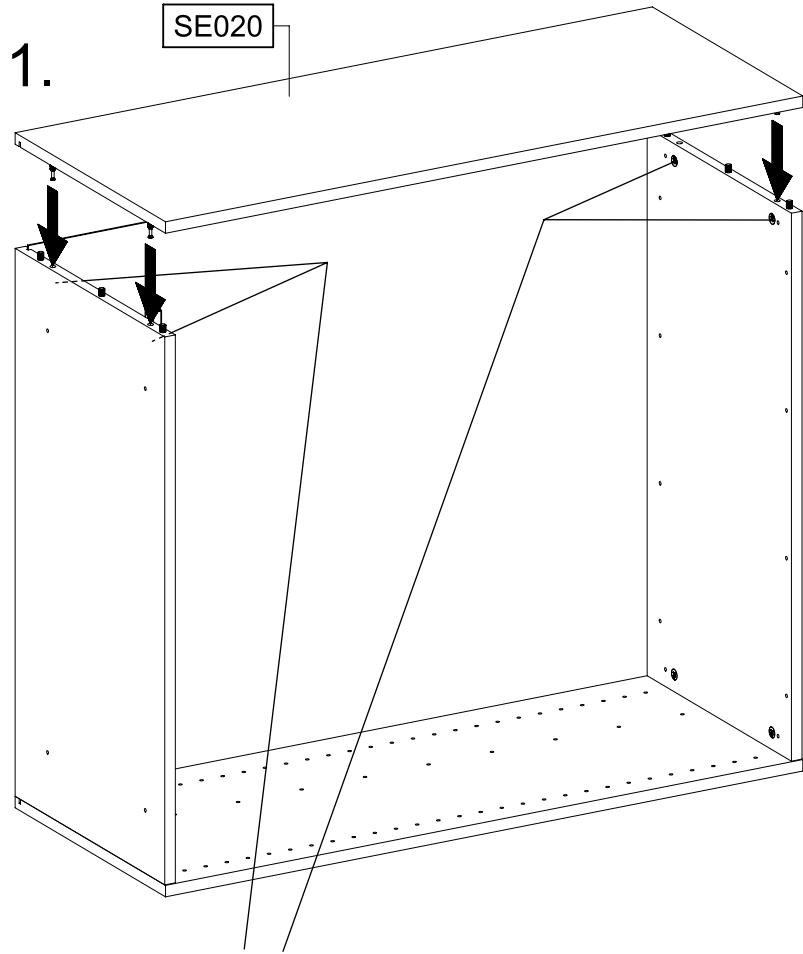
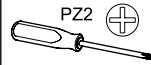


QR010



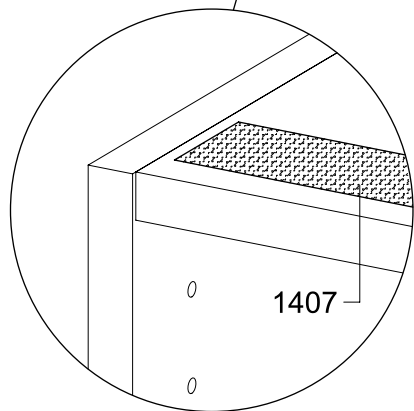
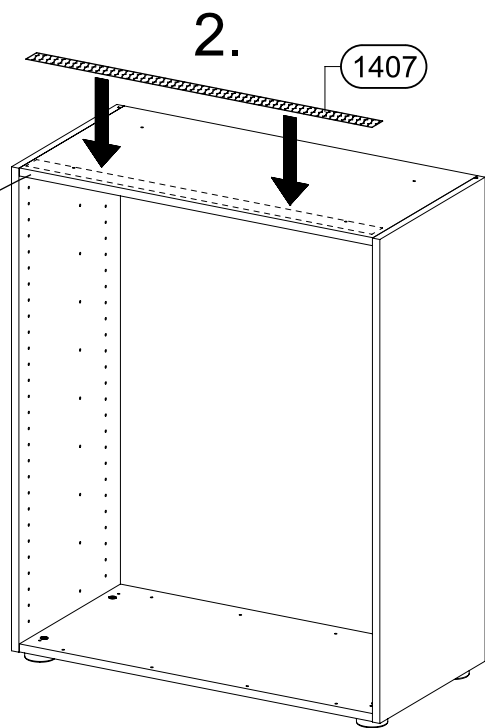
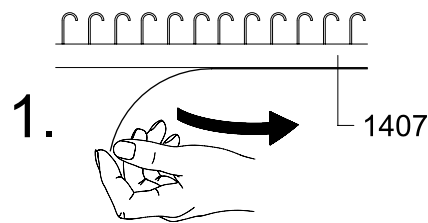
SE010

15



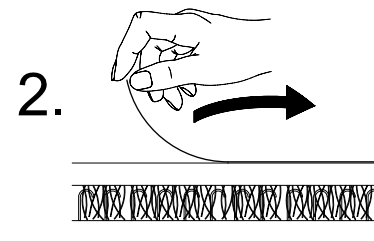
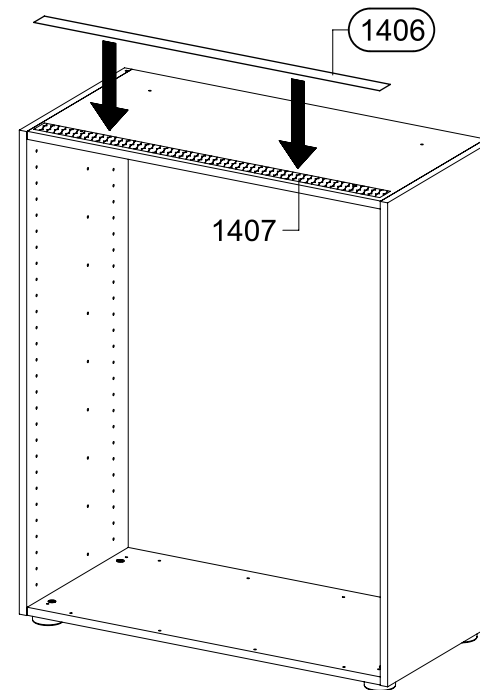
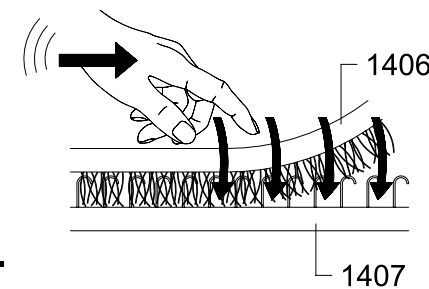
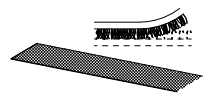
16

1x 1407

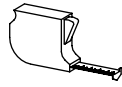


17

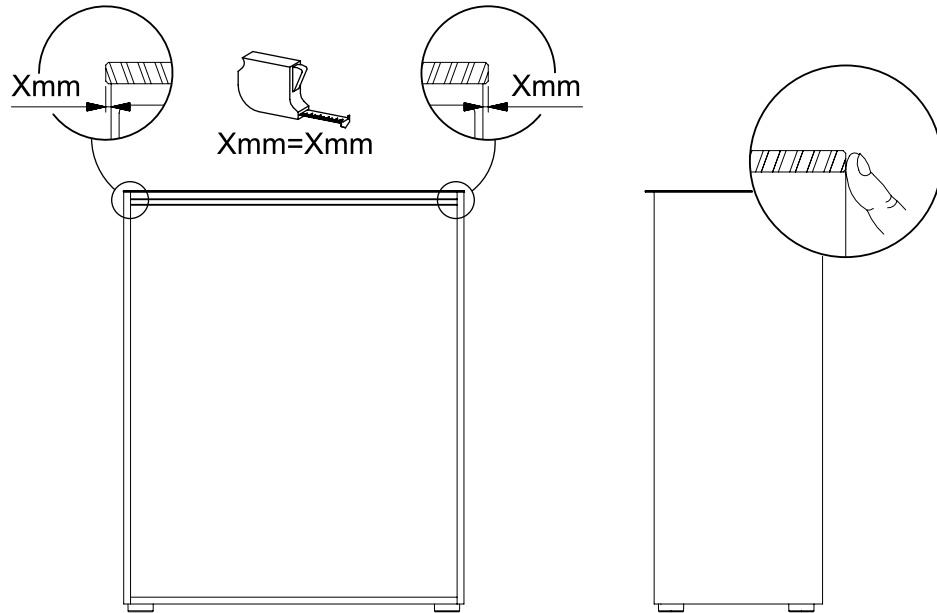
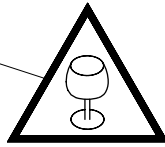
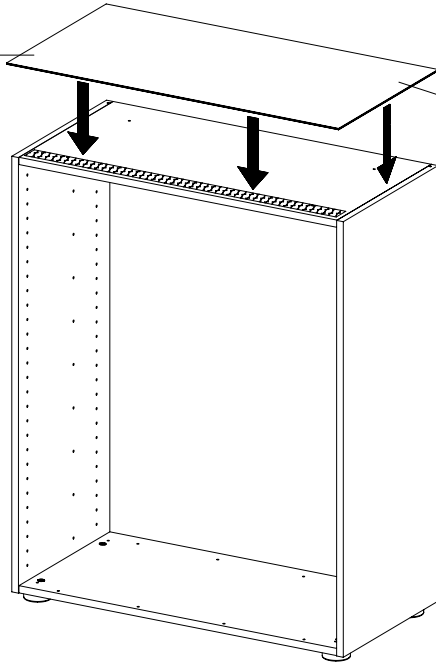
1x 1406



18



BT010

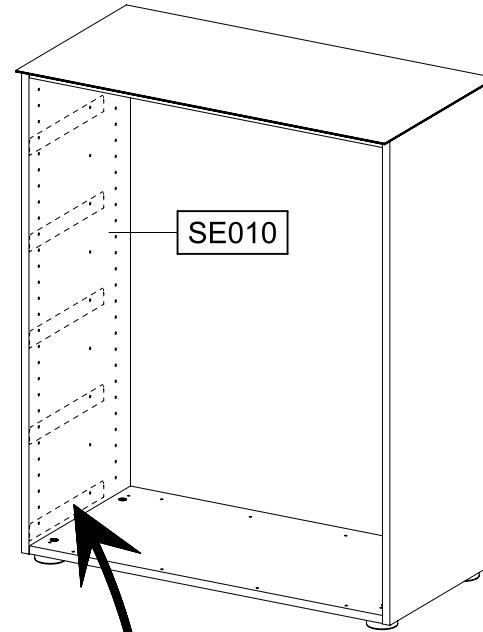
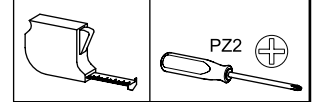
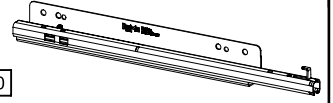


19

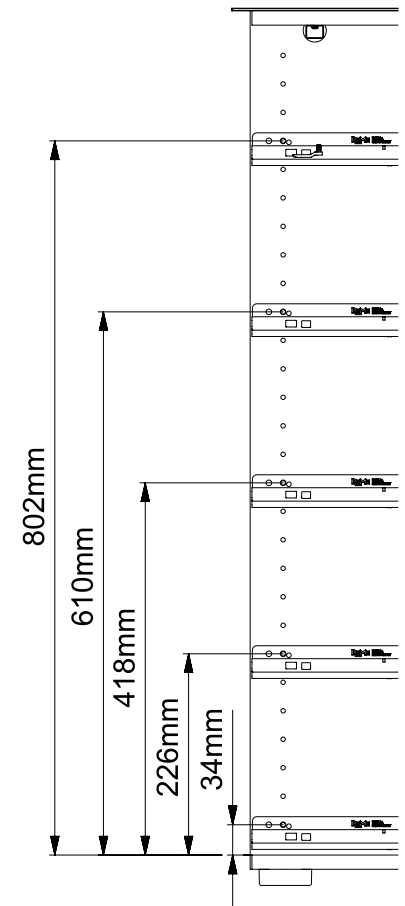
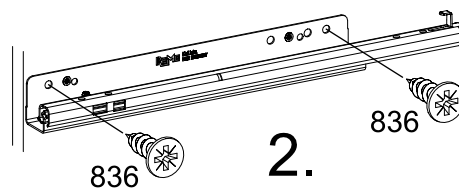
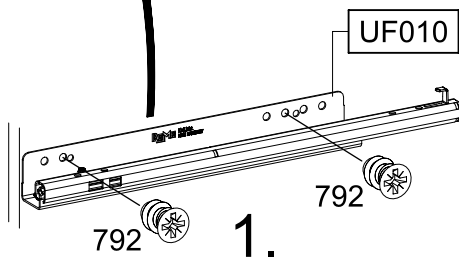
10x 792 ^{6,3x9}

10x 836 ^{4x15}

5x UF010



SE010

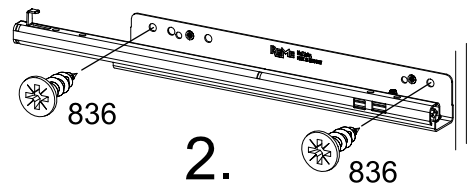
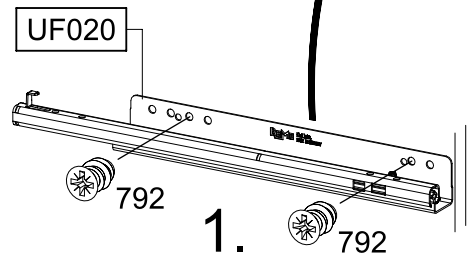
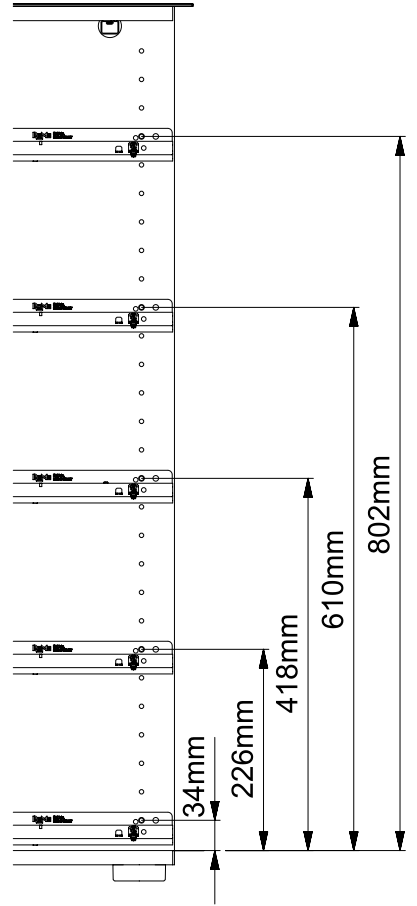
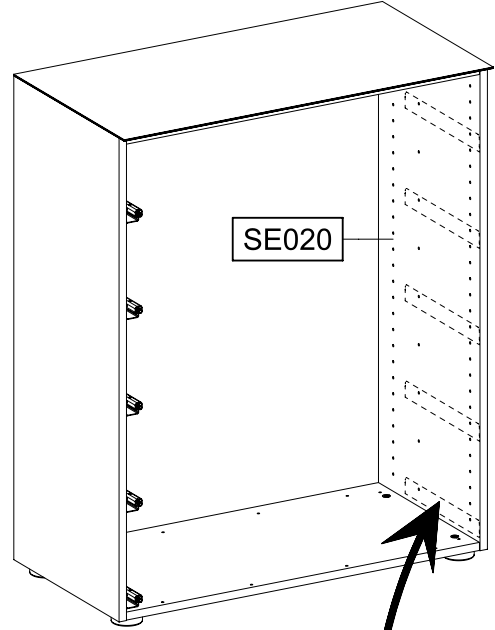
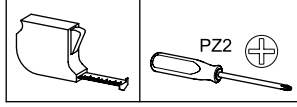
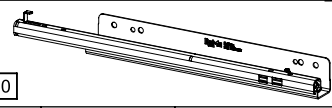


20

10x 792 6,3x9

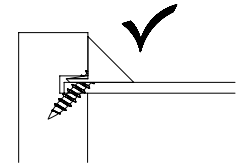
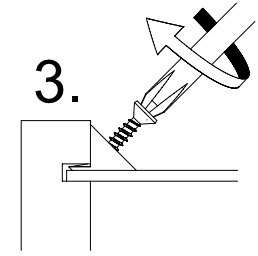
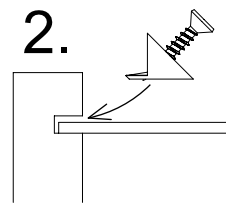
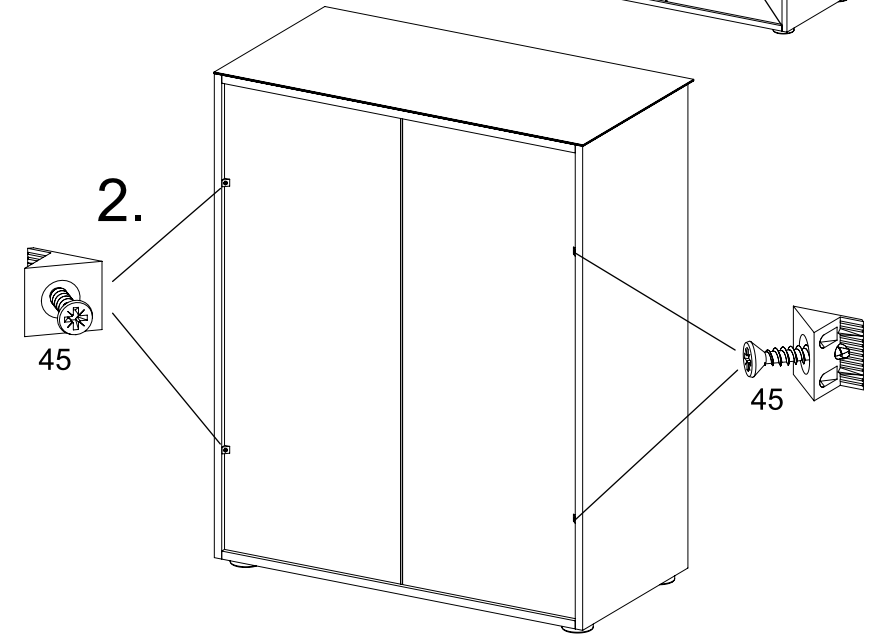
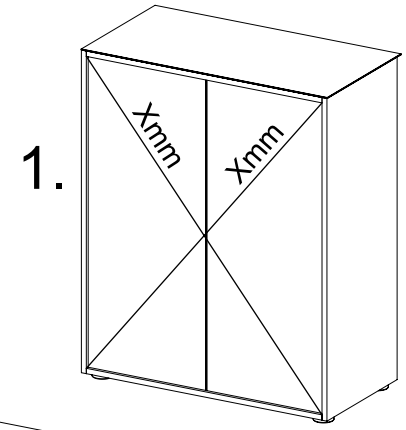
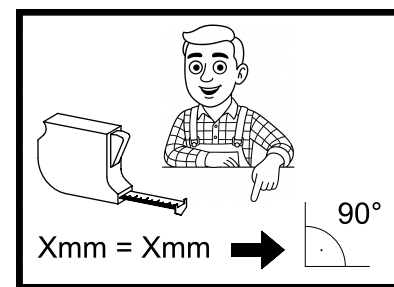
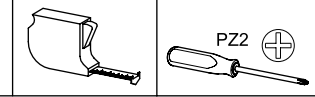
10x 836 4x15

5x UF020



21

4x 45



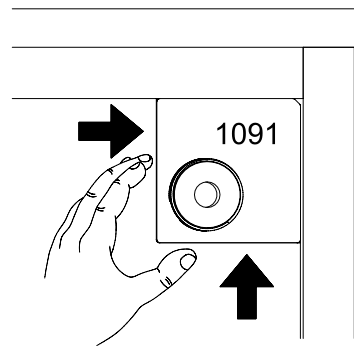
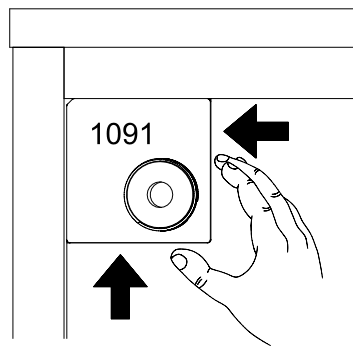
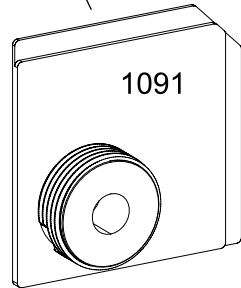
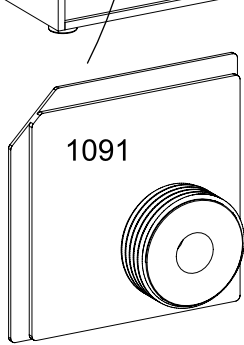
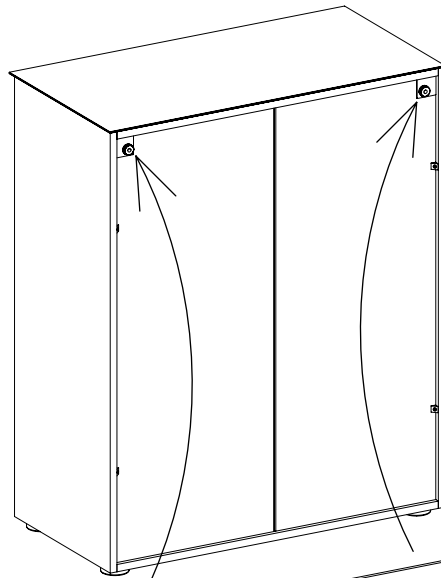
22

2x

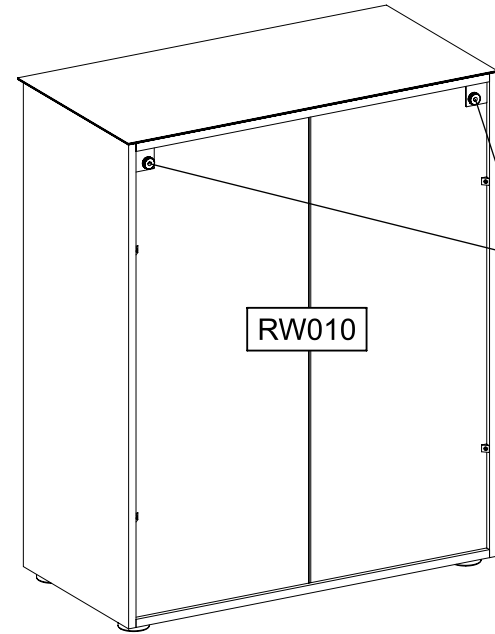
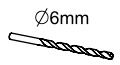
1091



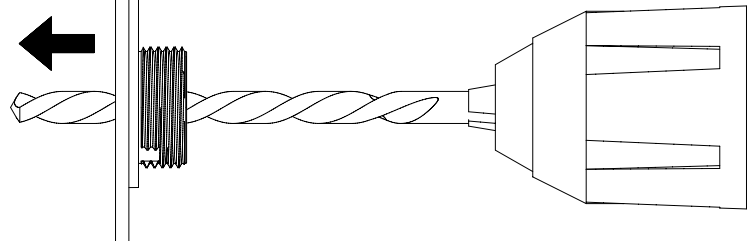
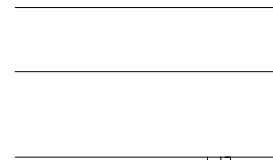
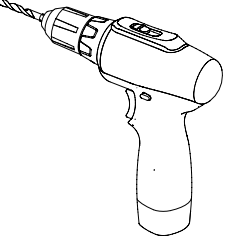
SCAN ME

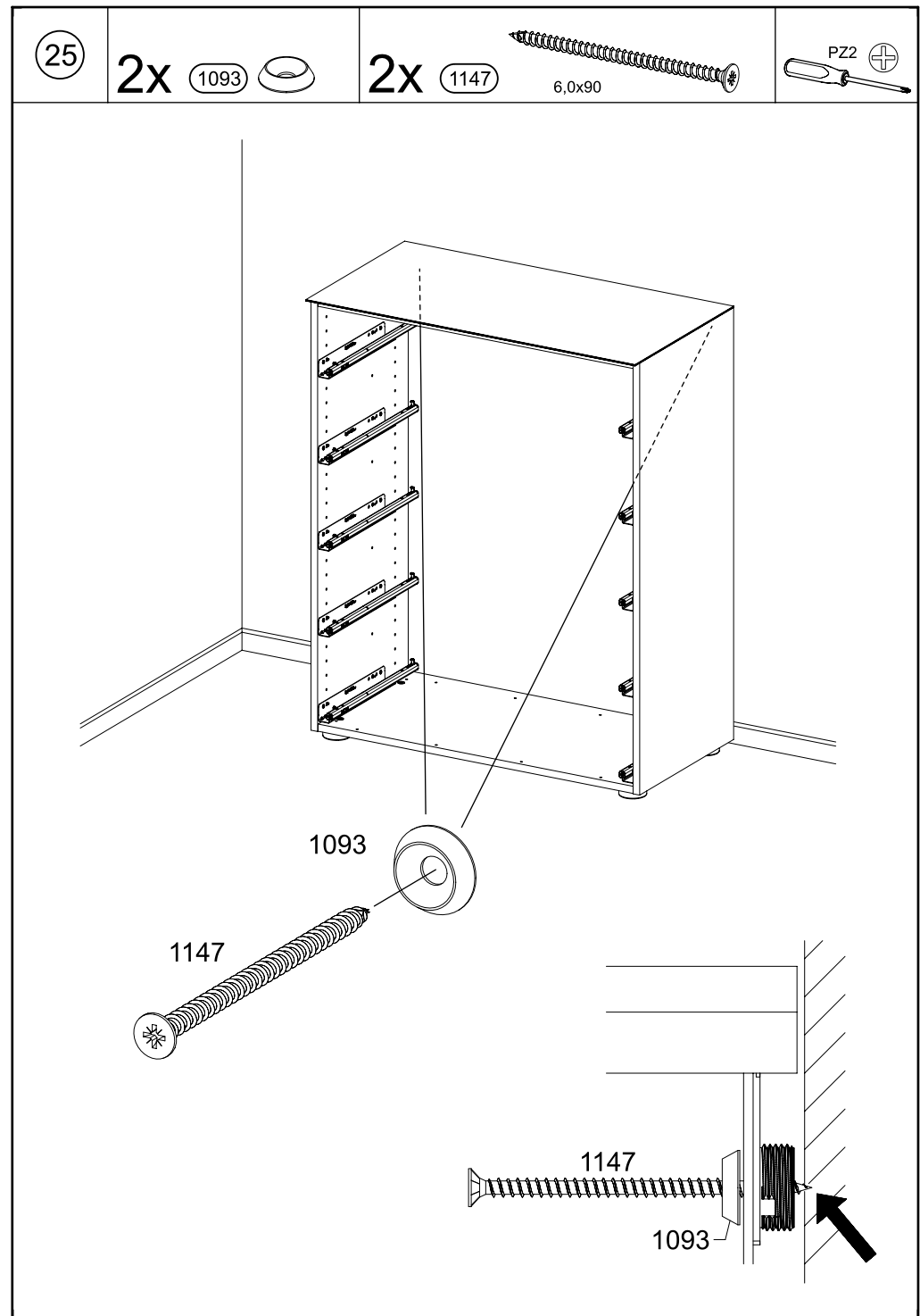
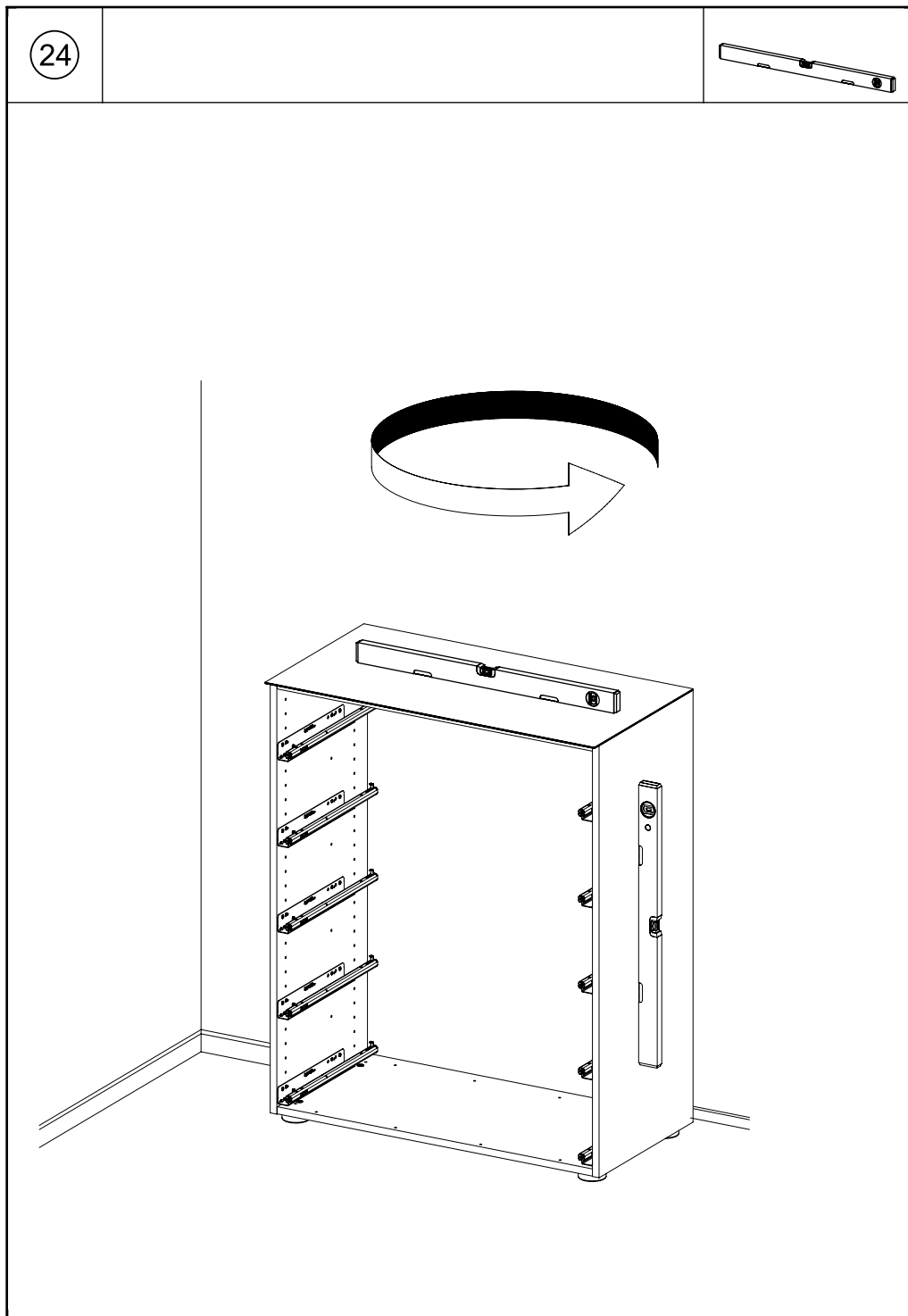


23

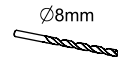


Ø 6mm

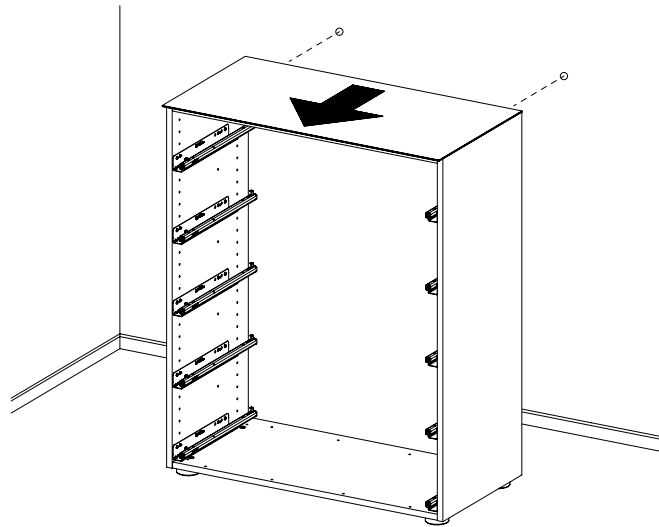




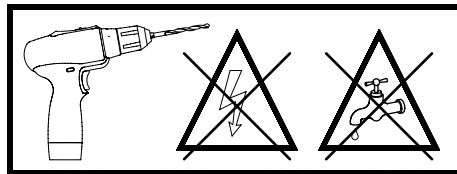
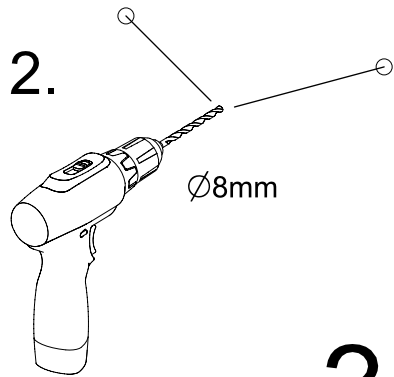
26



1.

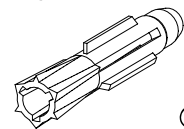
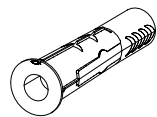
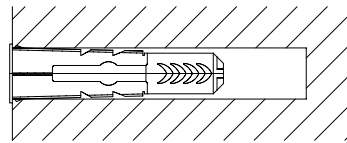


2.



?

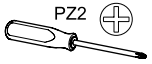
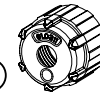
3.



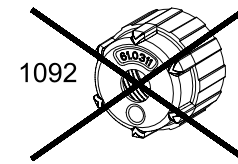
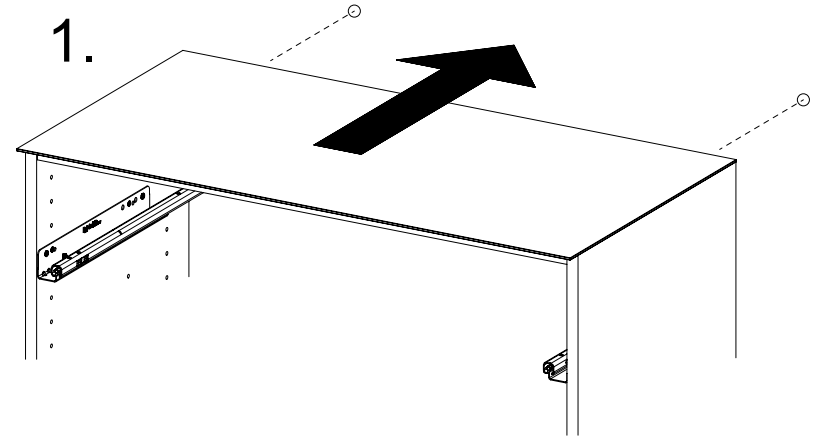
Ø8mm

27

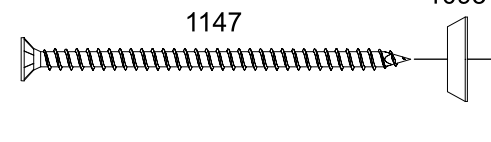
2x 1092



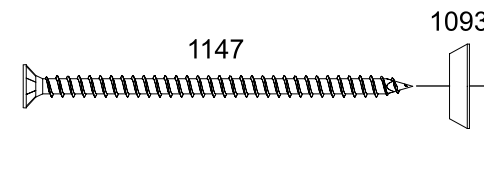
1.



2.



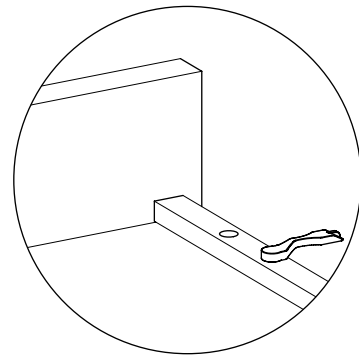
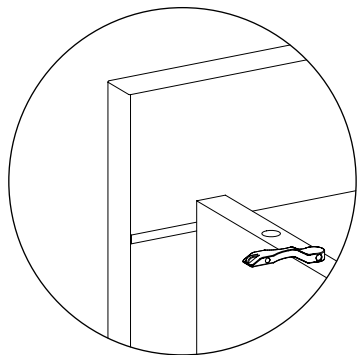
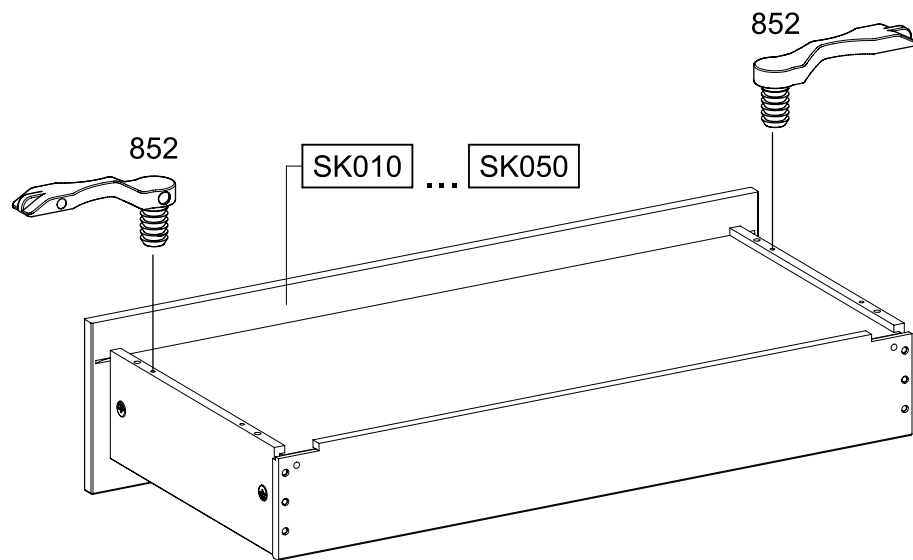
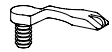
2.



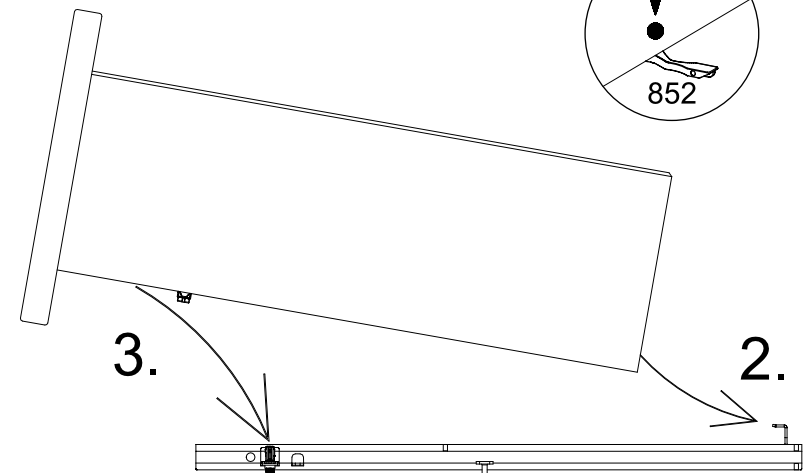
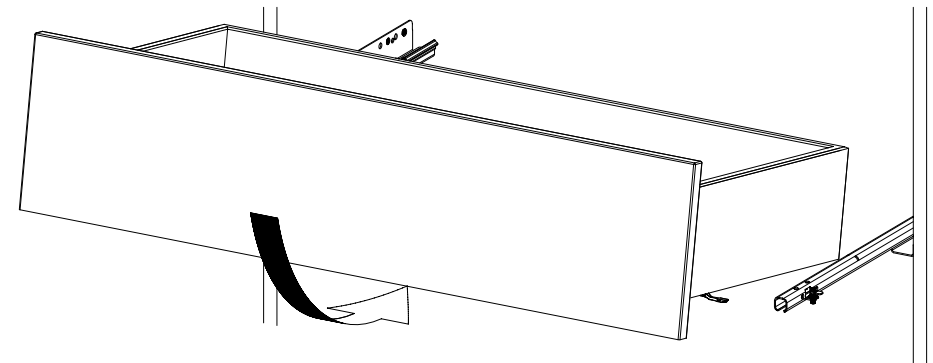
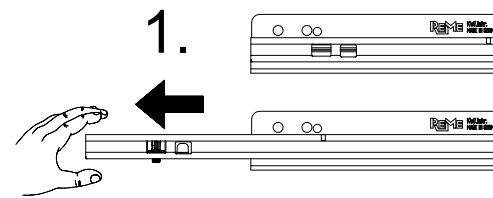
28

10x

852



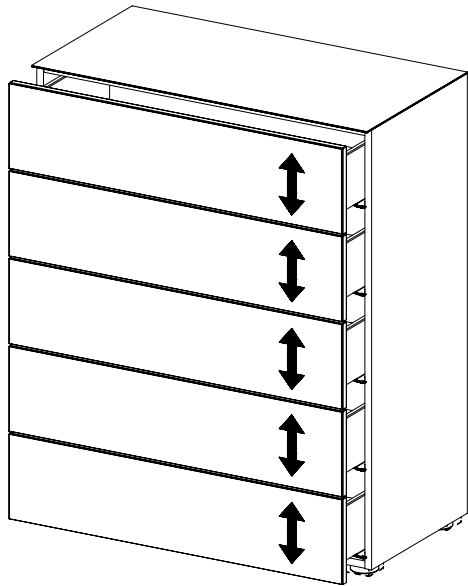
29



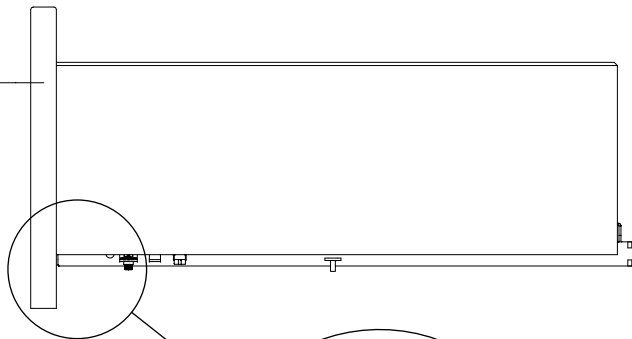
30



SCAN ME

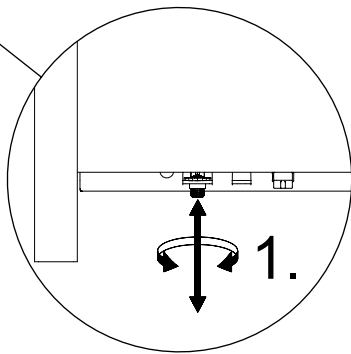
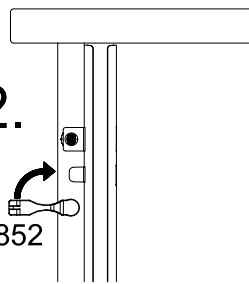


SK010
SK020
SK030
SK040
SK050



2.

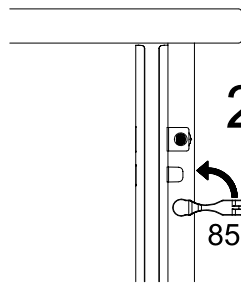
852



1.

2.

852



max.
20kg

