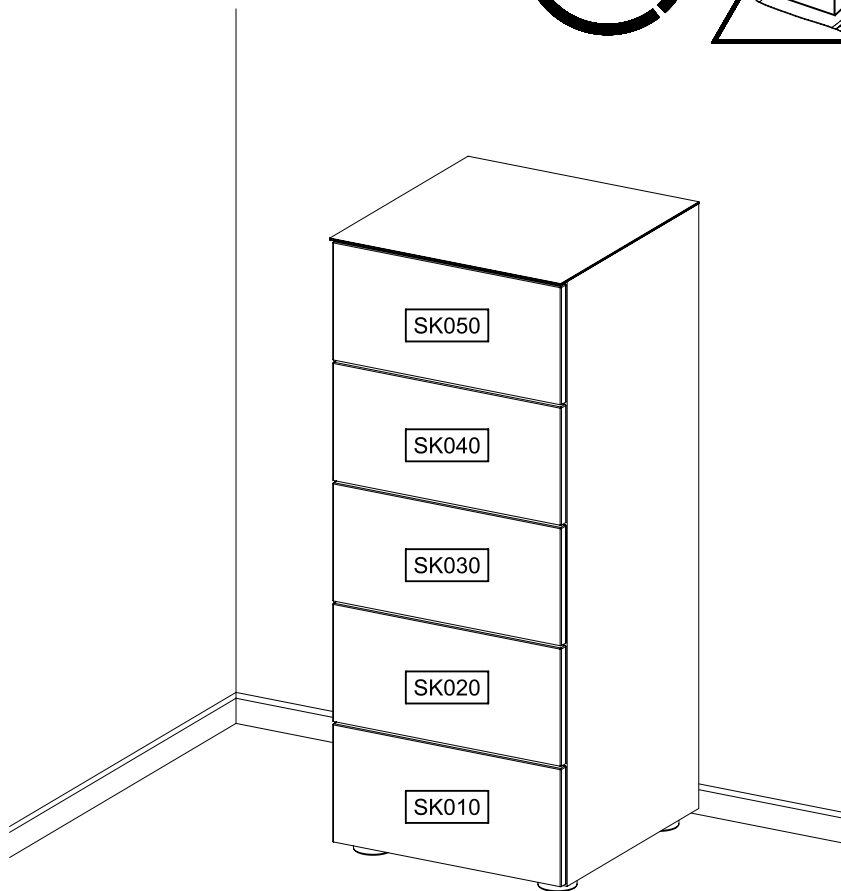
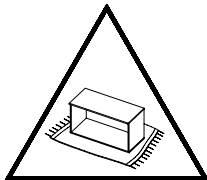
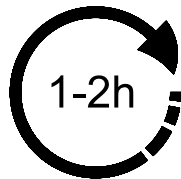
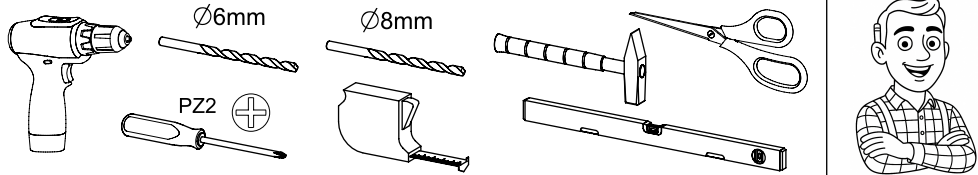
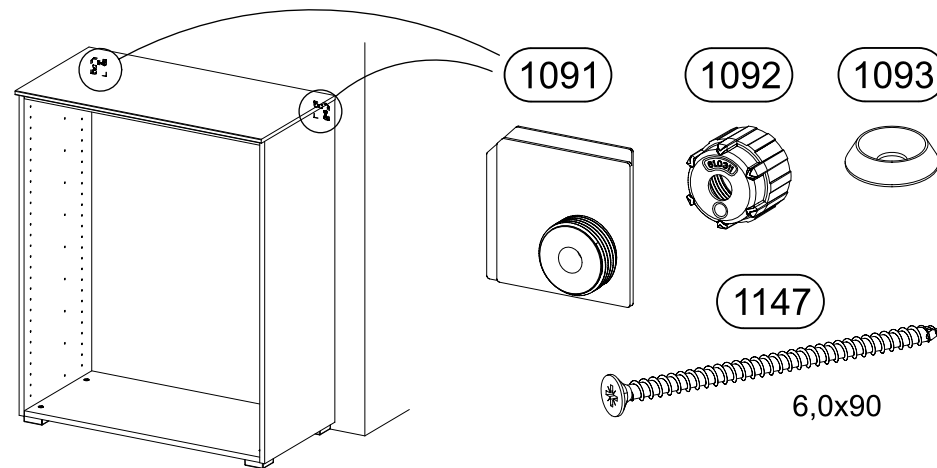
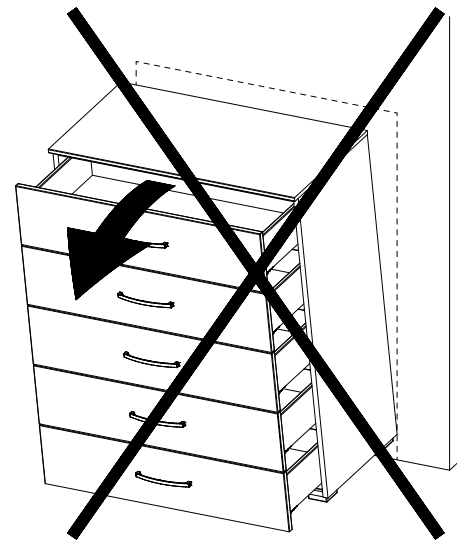


1.

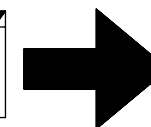
# M3166\_02



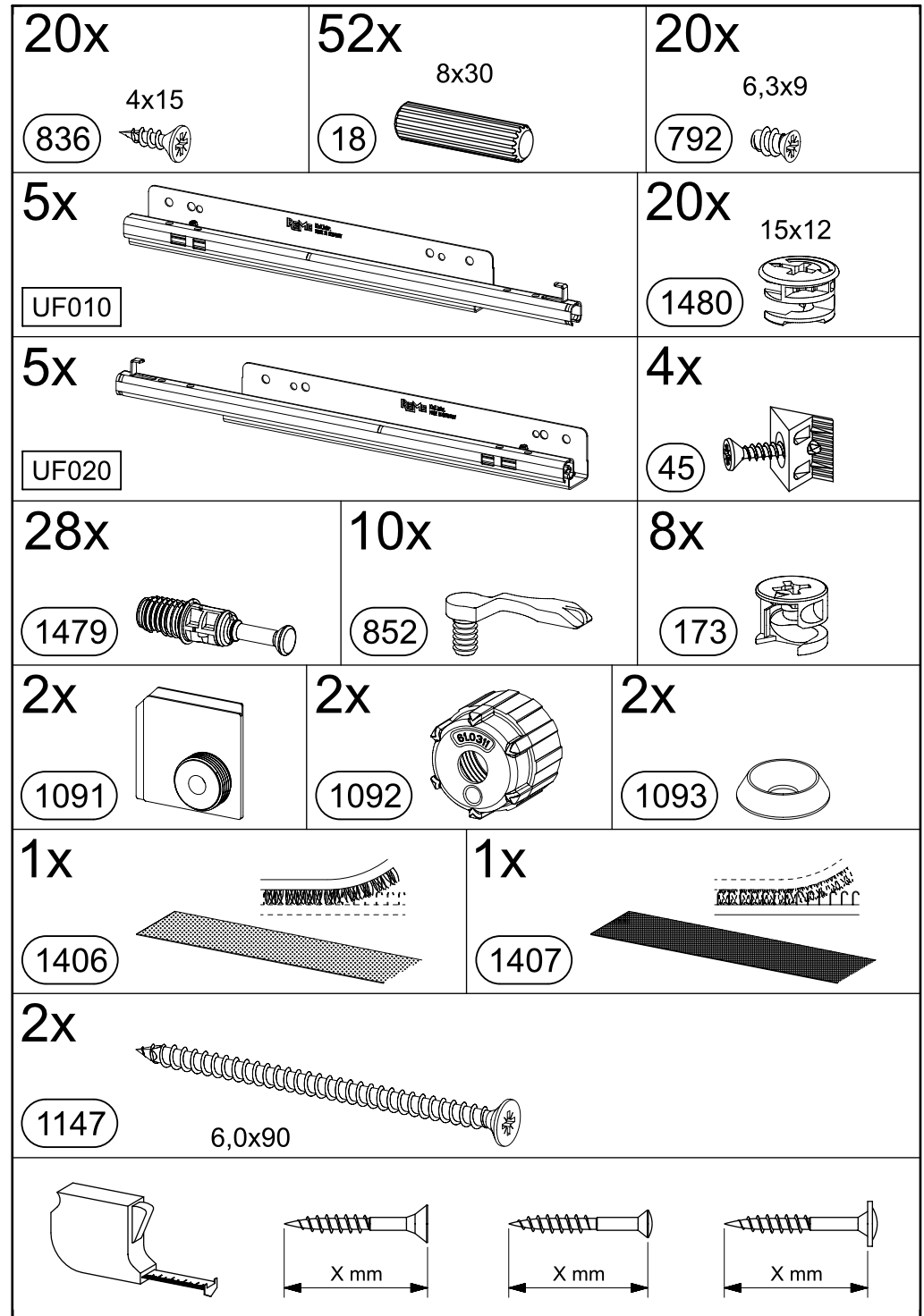
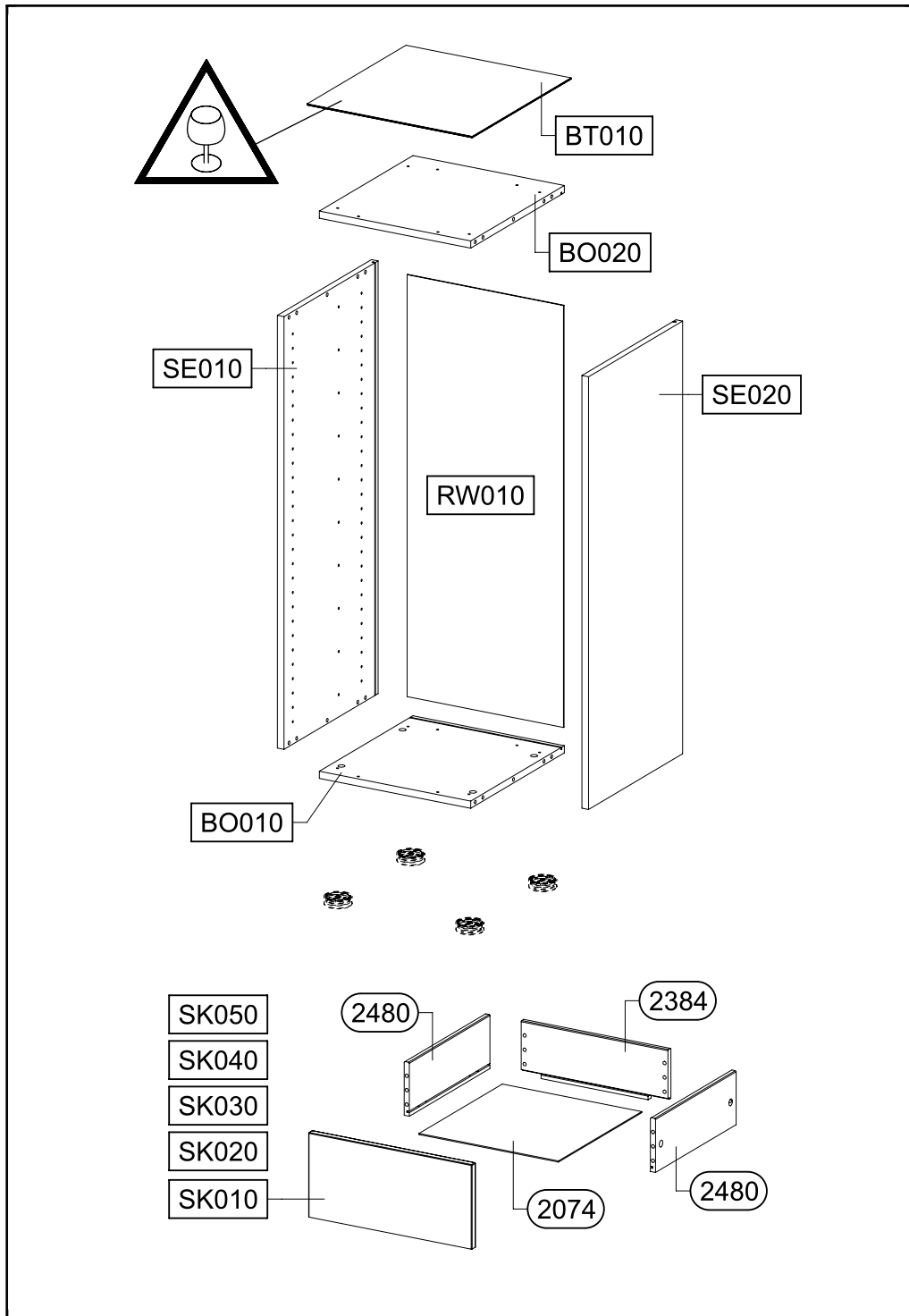
2.

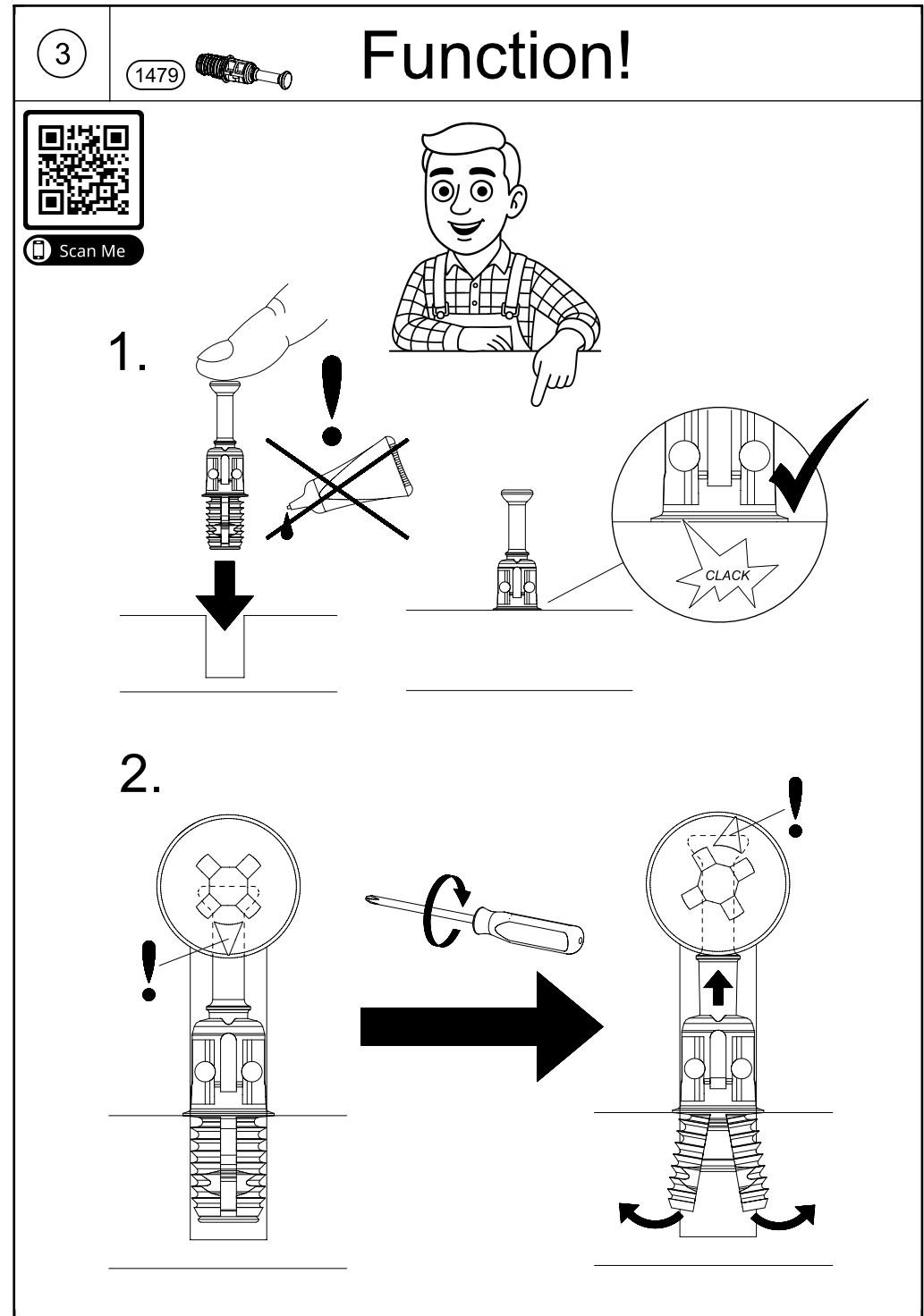
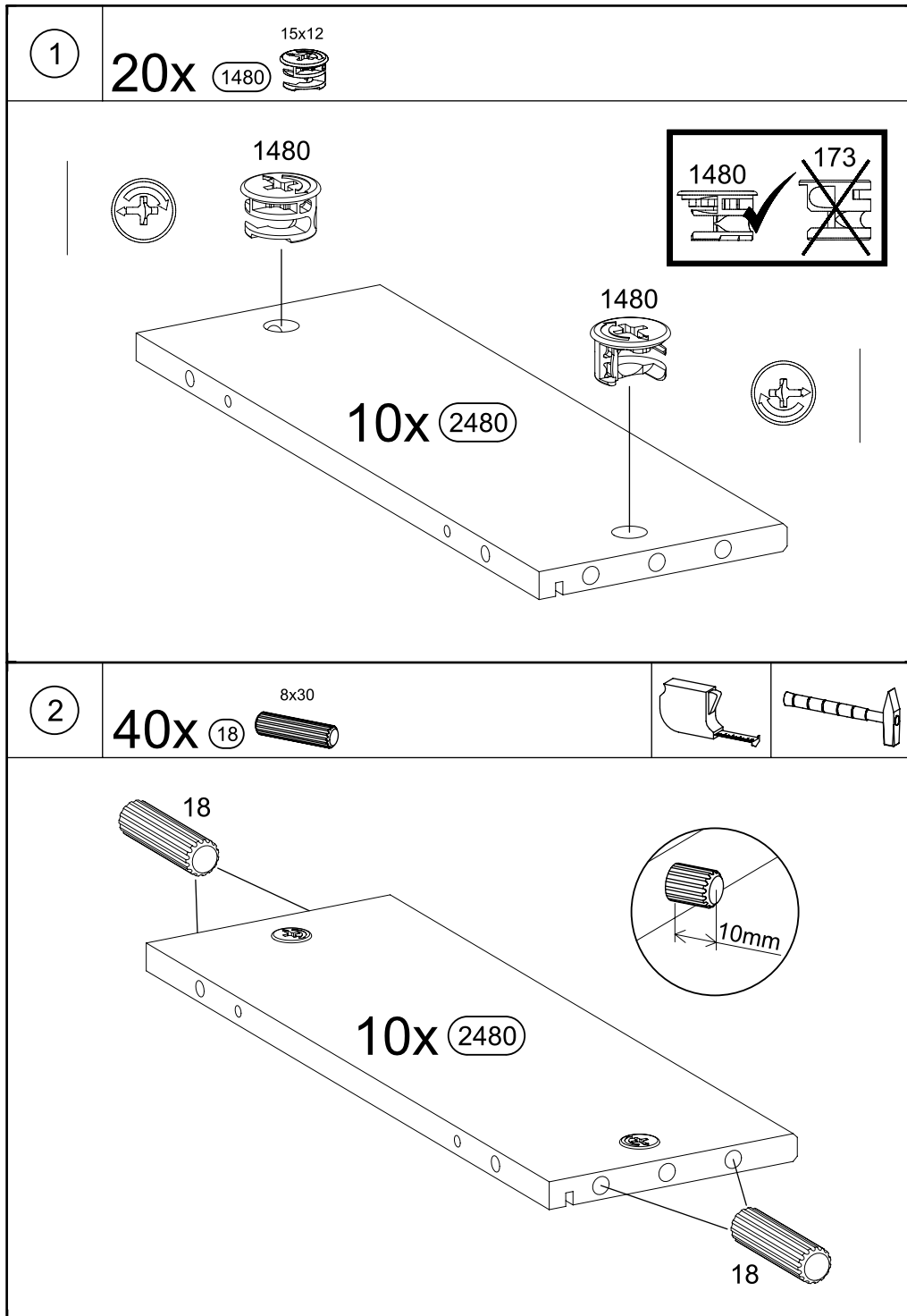


VIDEO



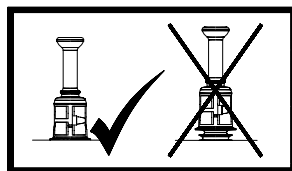
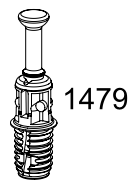
SCAN ME



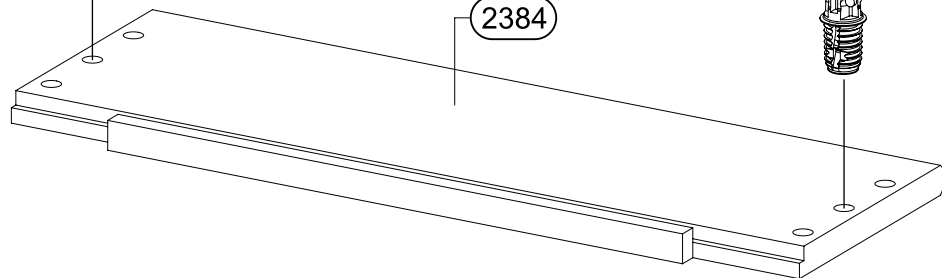
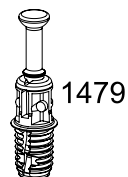


4

10x 1479 

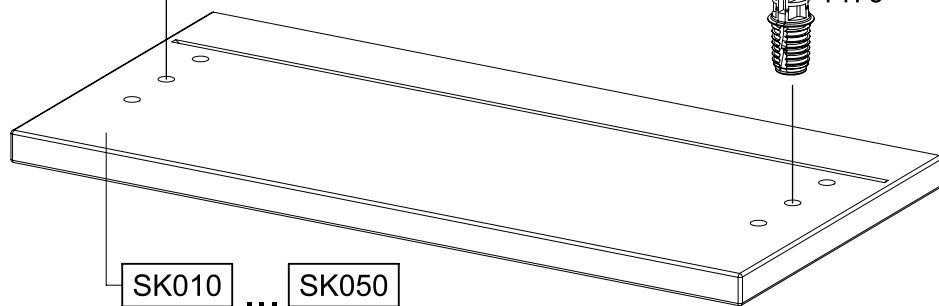
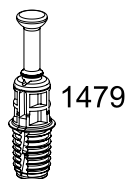
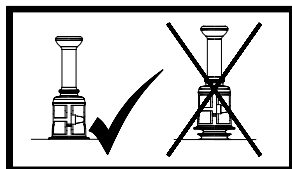
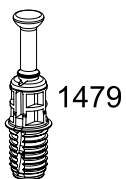


5x 2384



5

10x 1479 

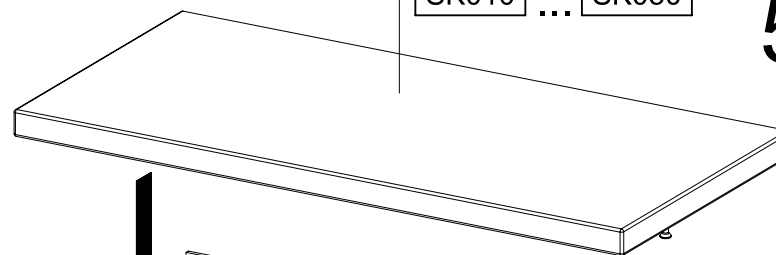


SK010 ... SK050

6

SK010 ... SK050

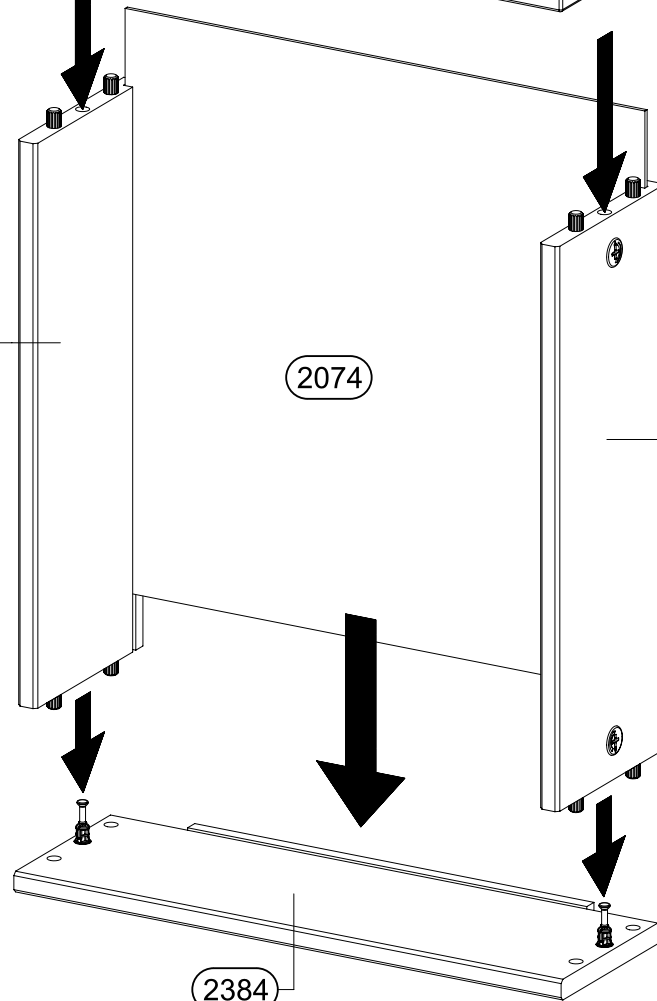
5x



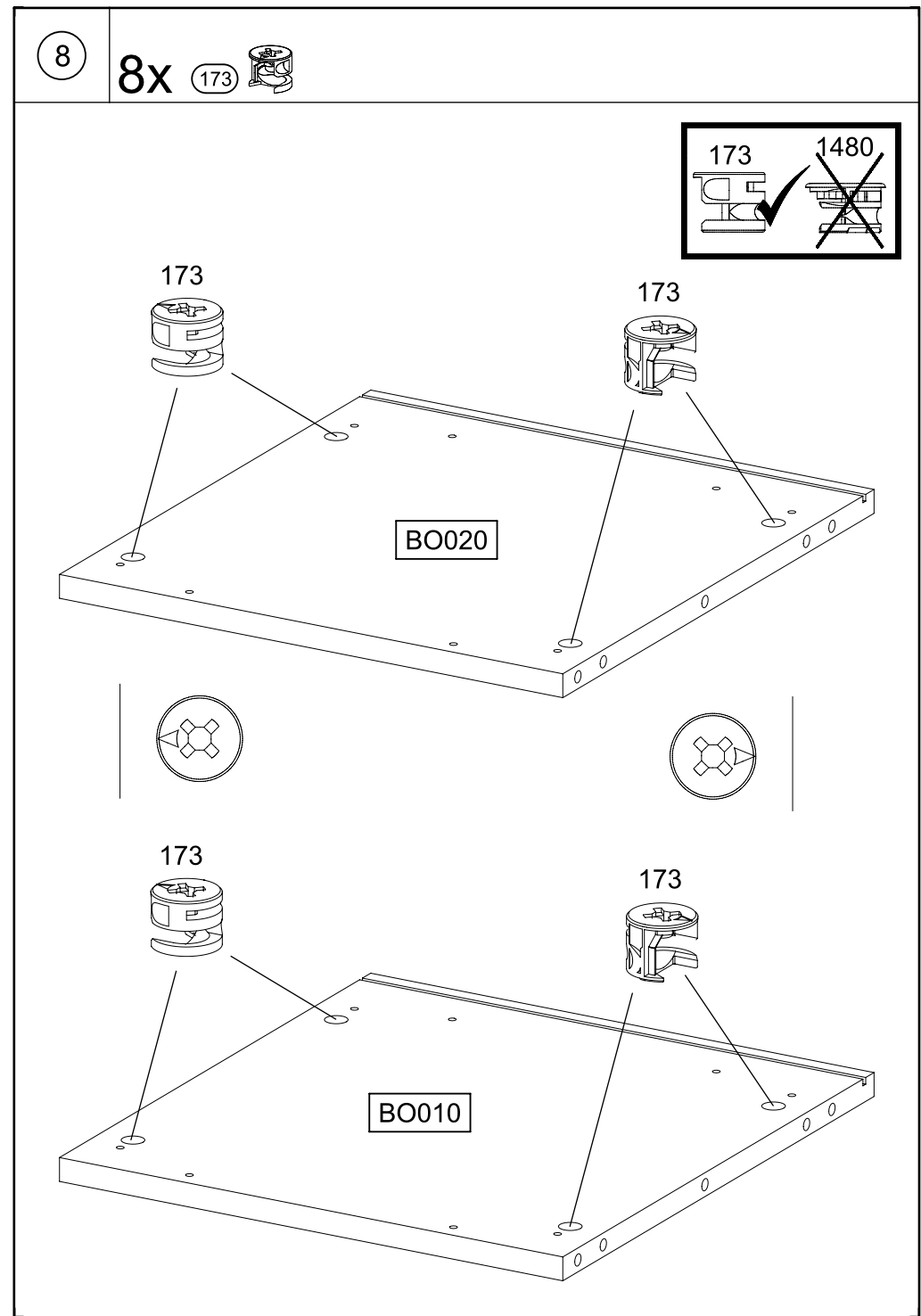
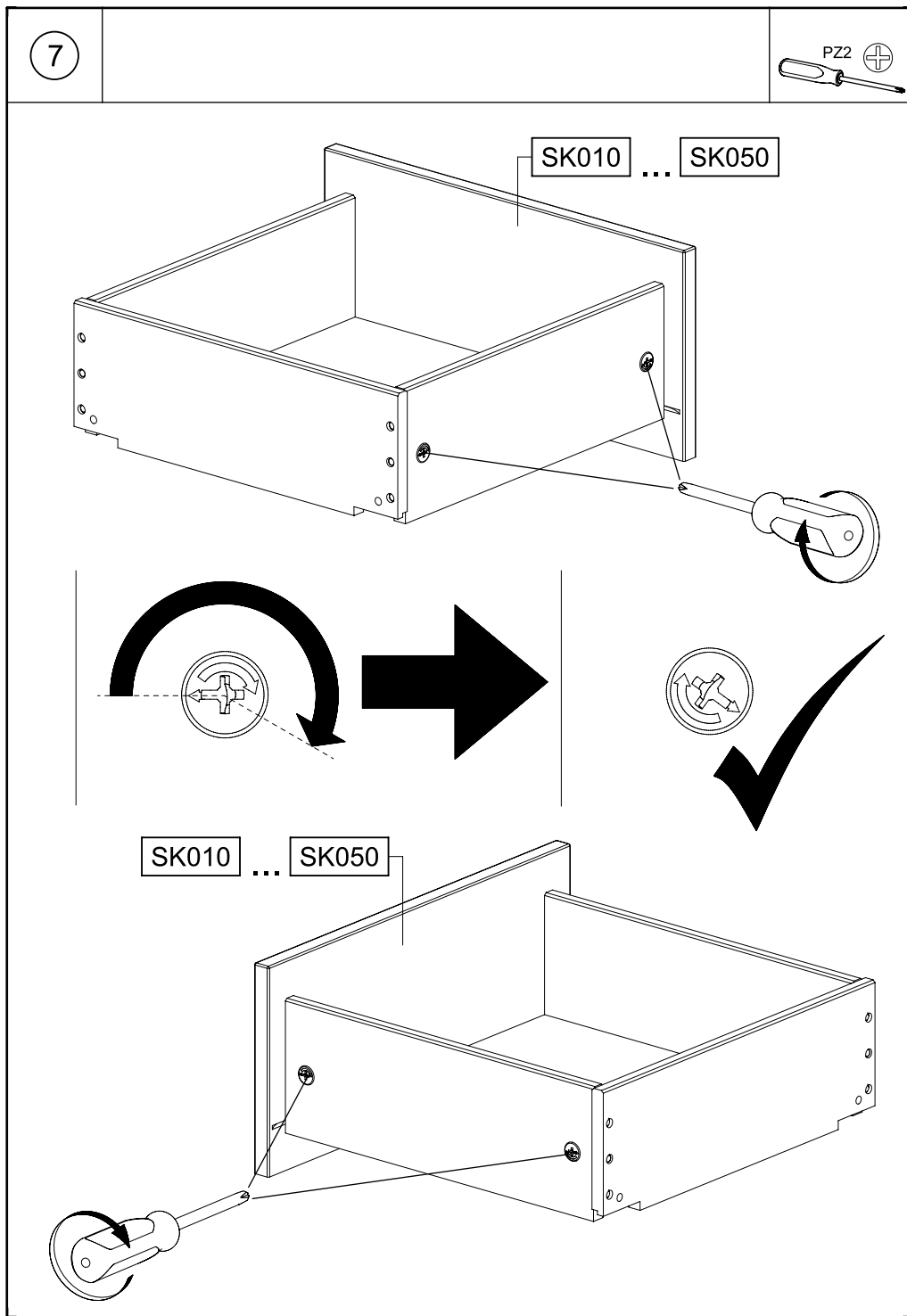
2480

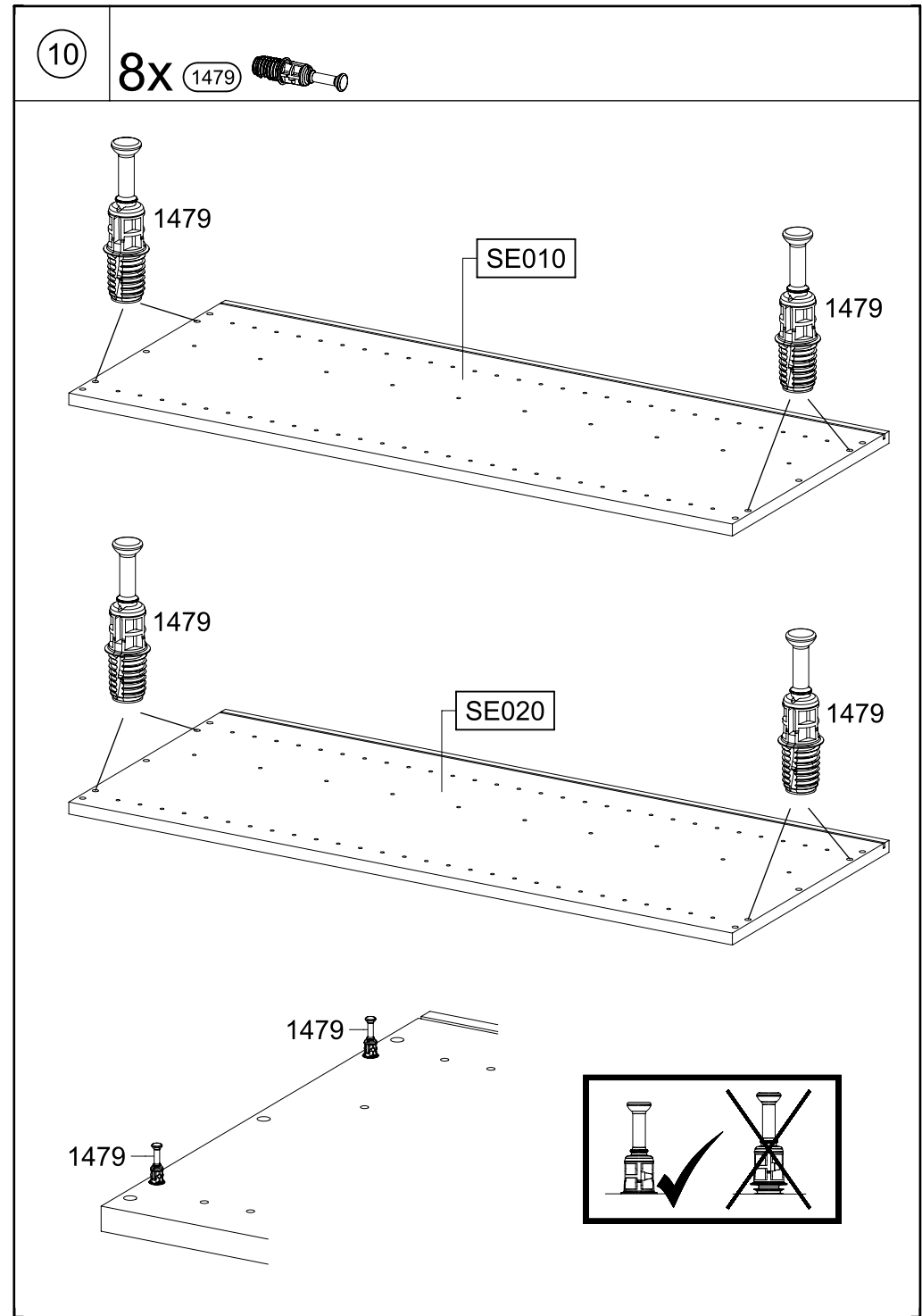
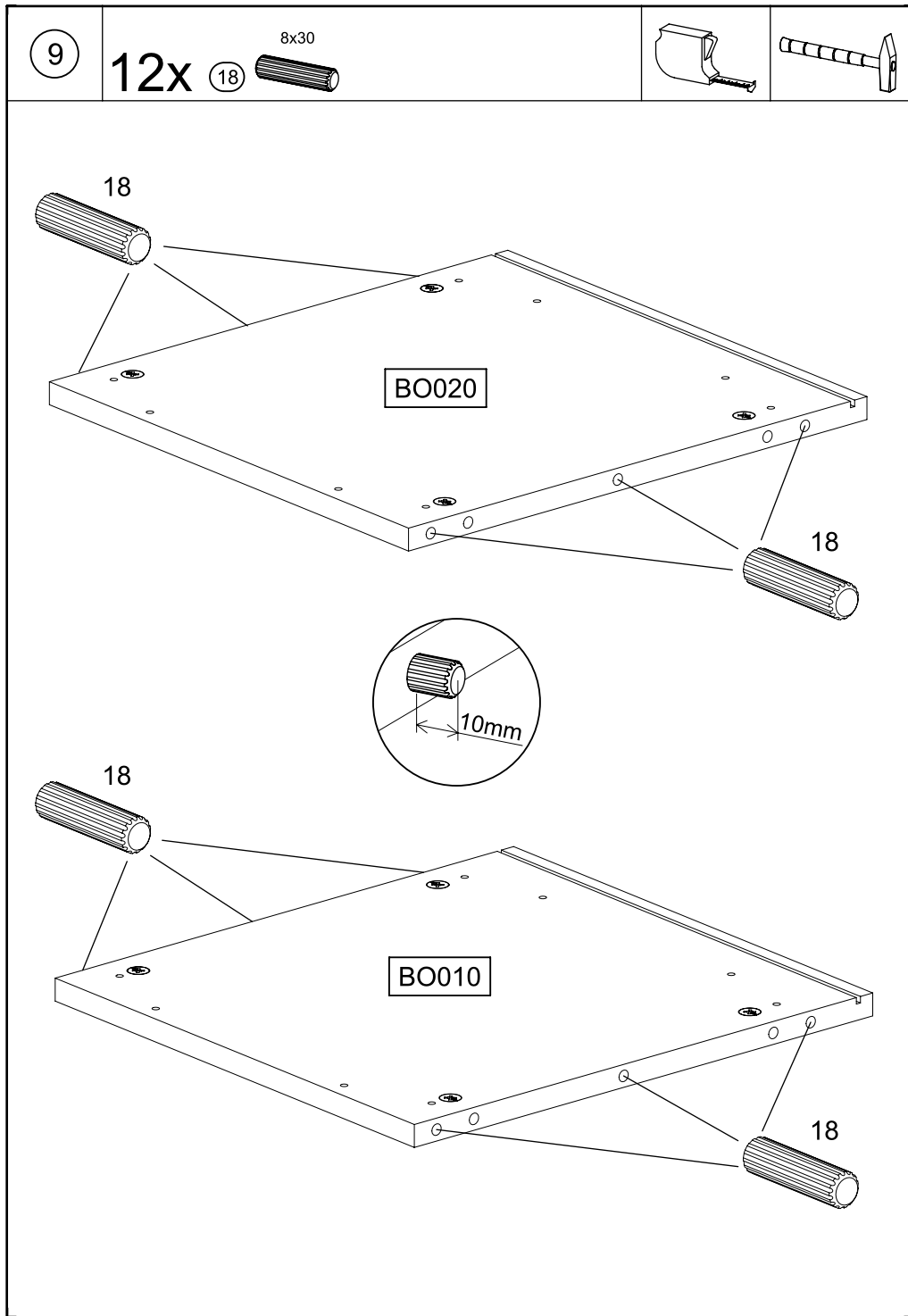
2074

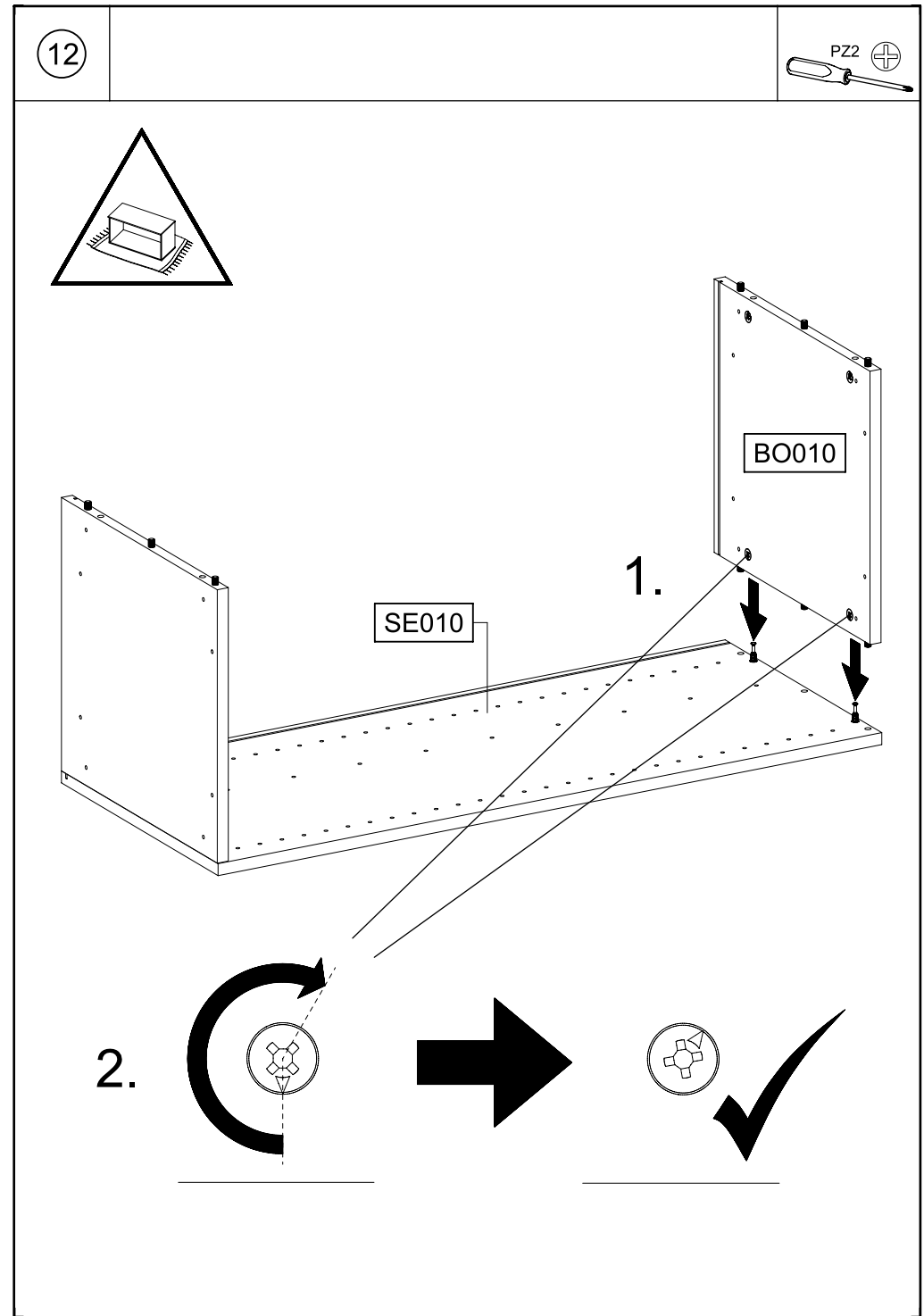
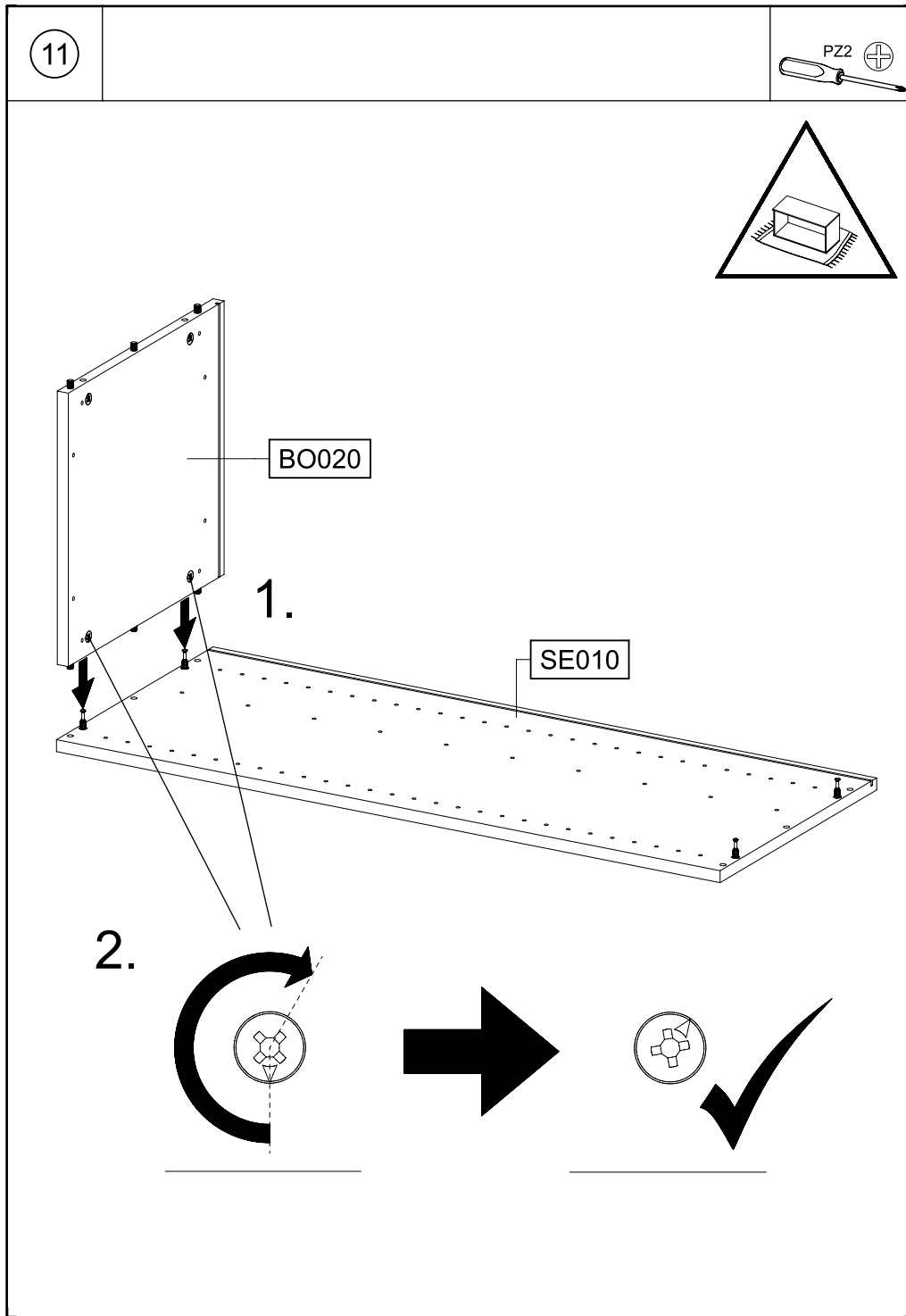
2480



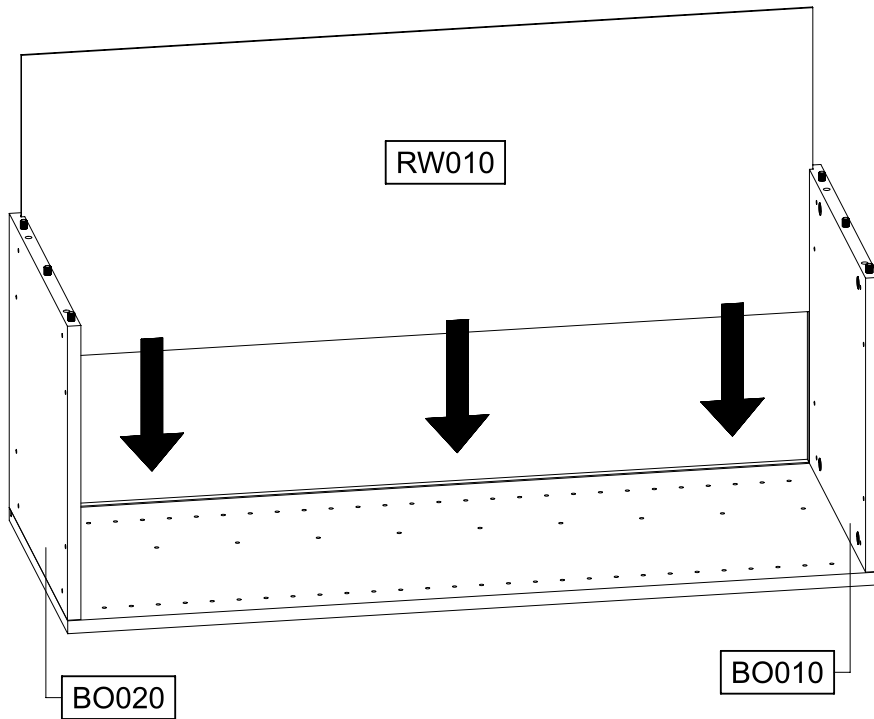
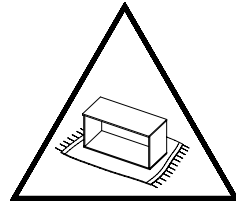
2384



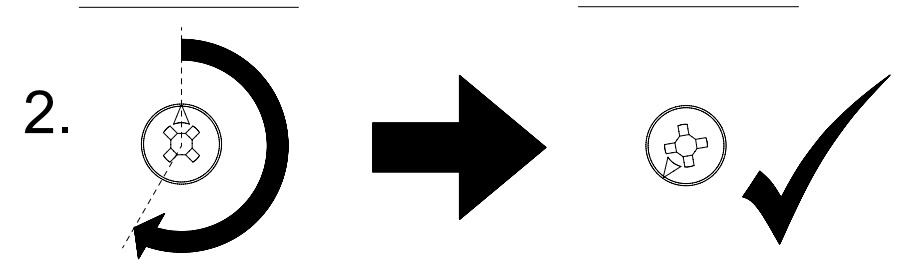
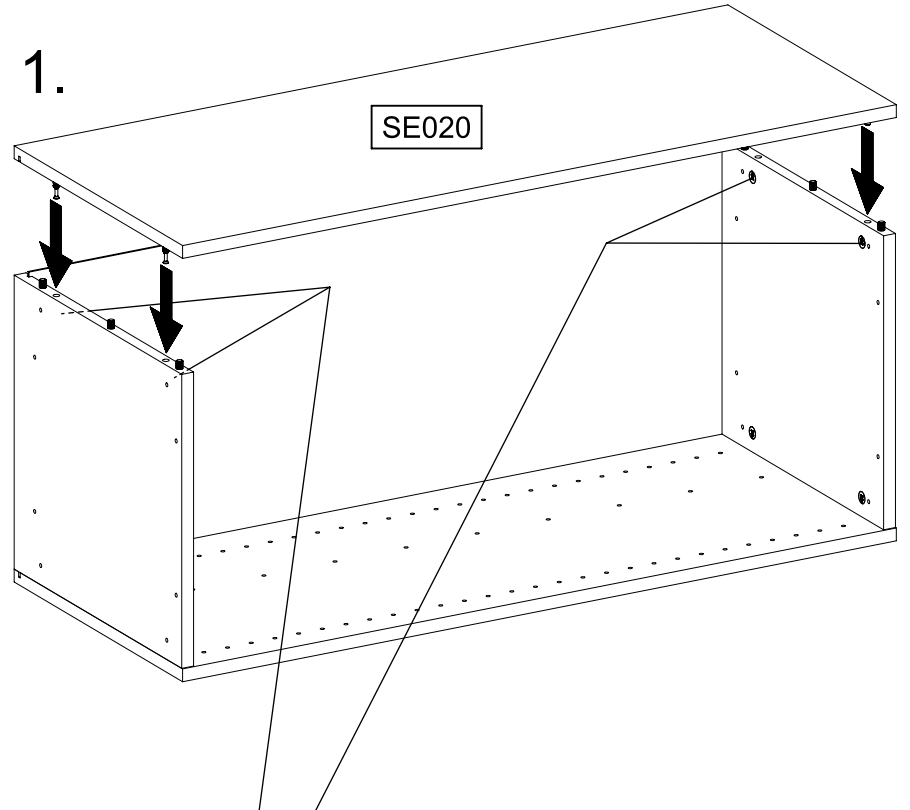
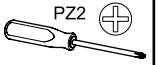


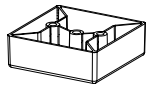


13

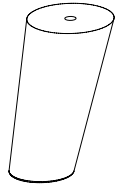


14

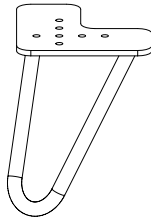




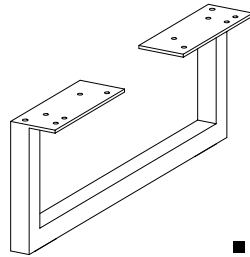
1207



1481

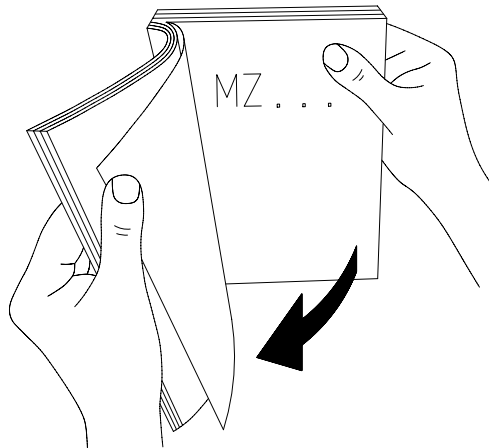


1345



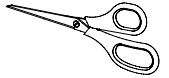
1348

...

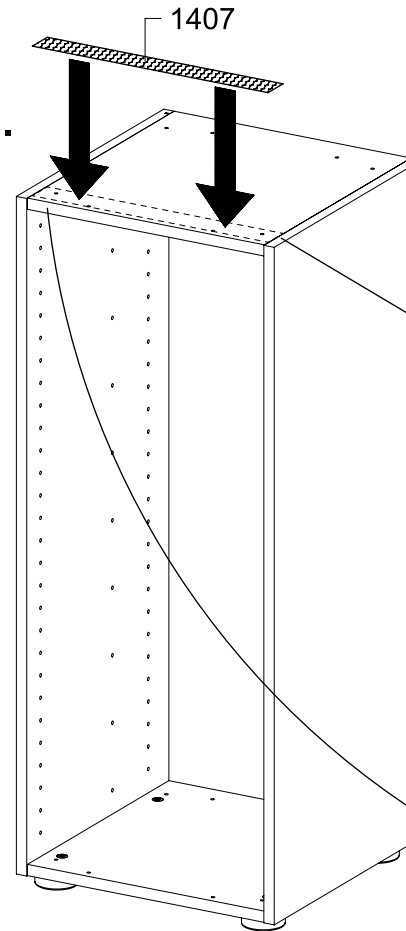


15

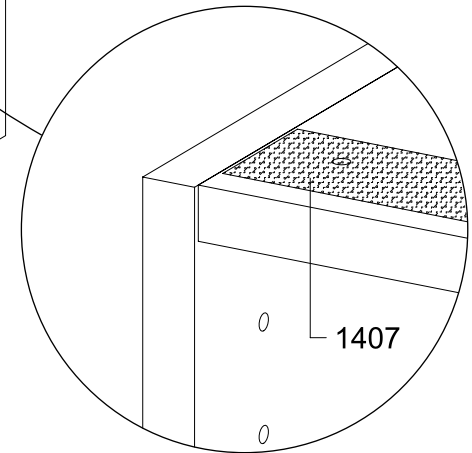
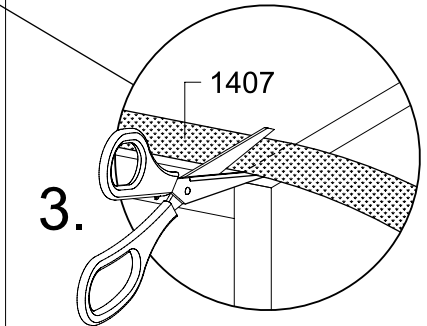
1x 1407



2.

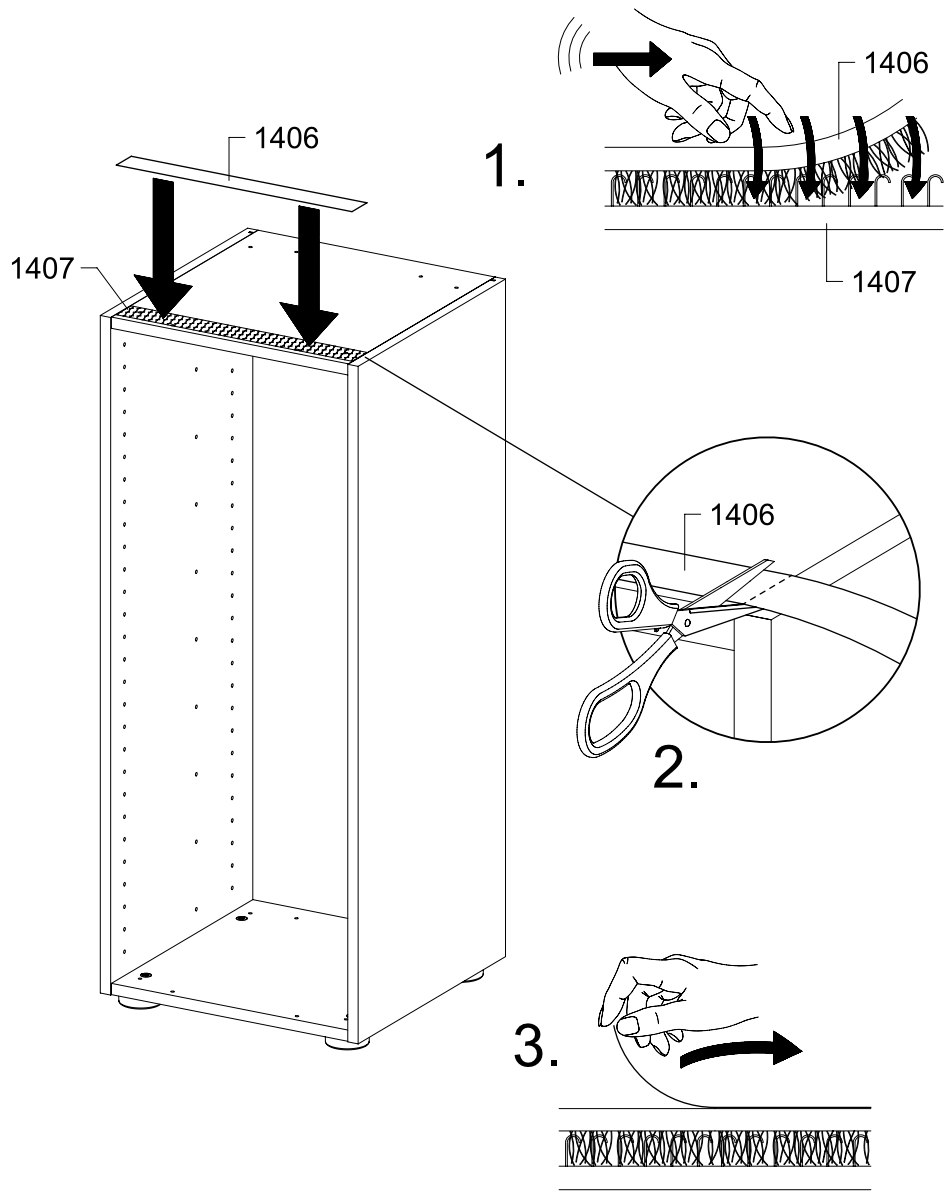
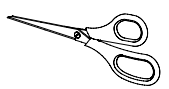
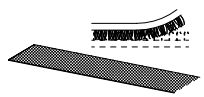


3.

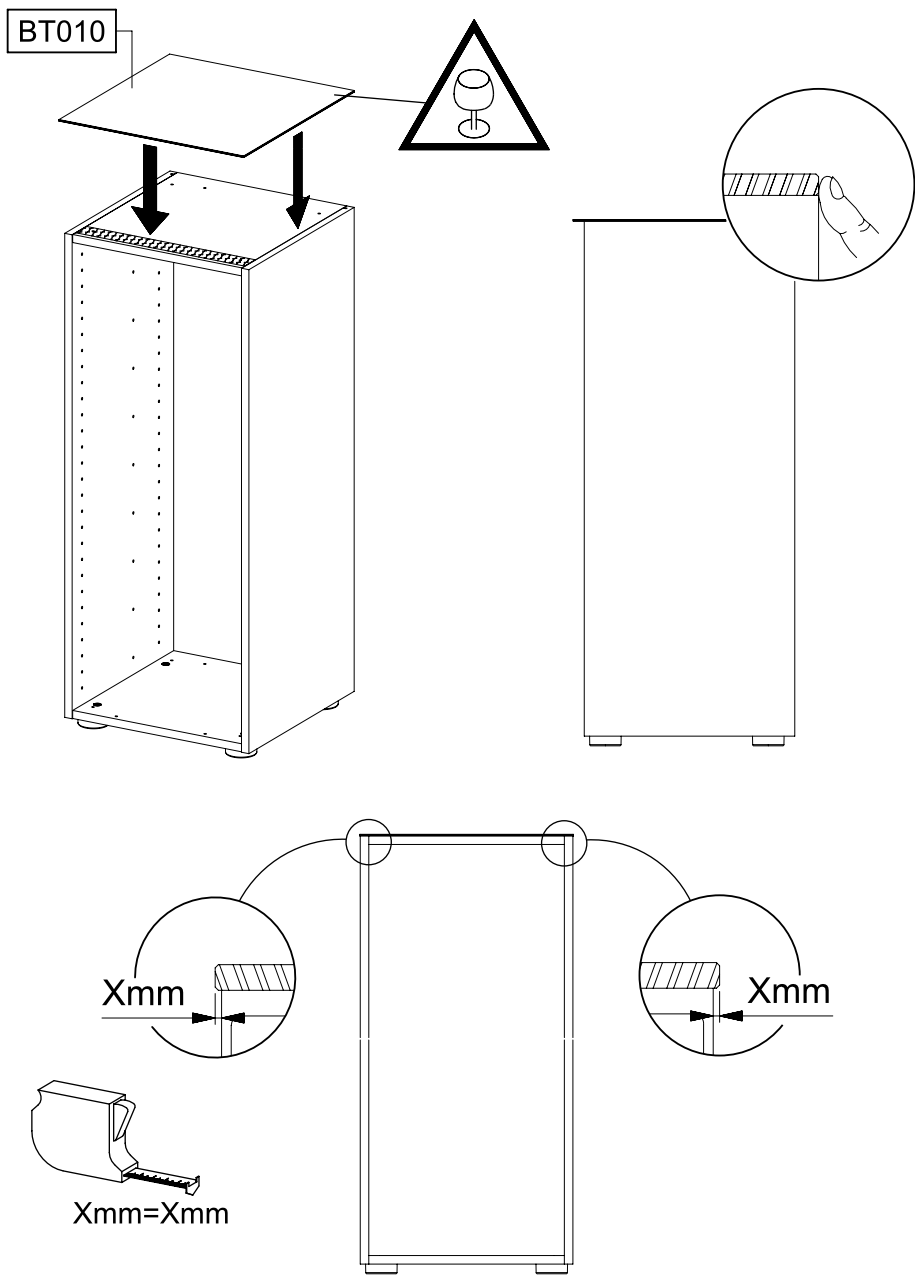
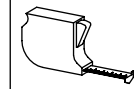


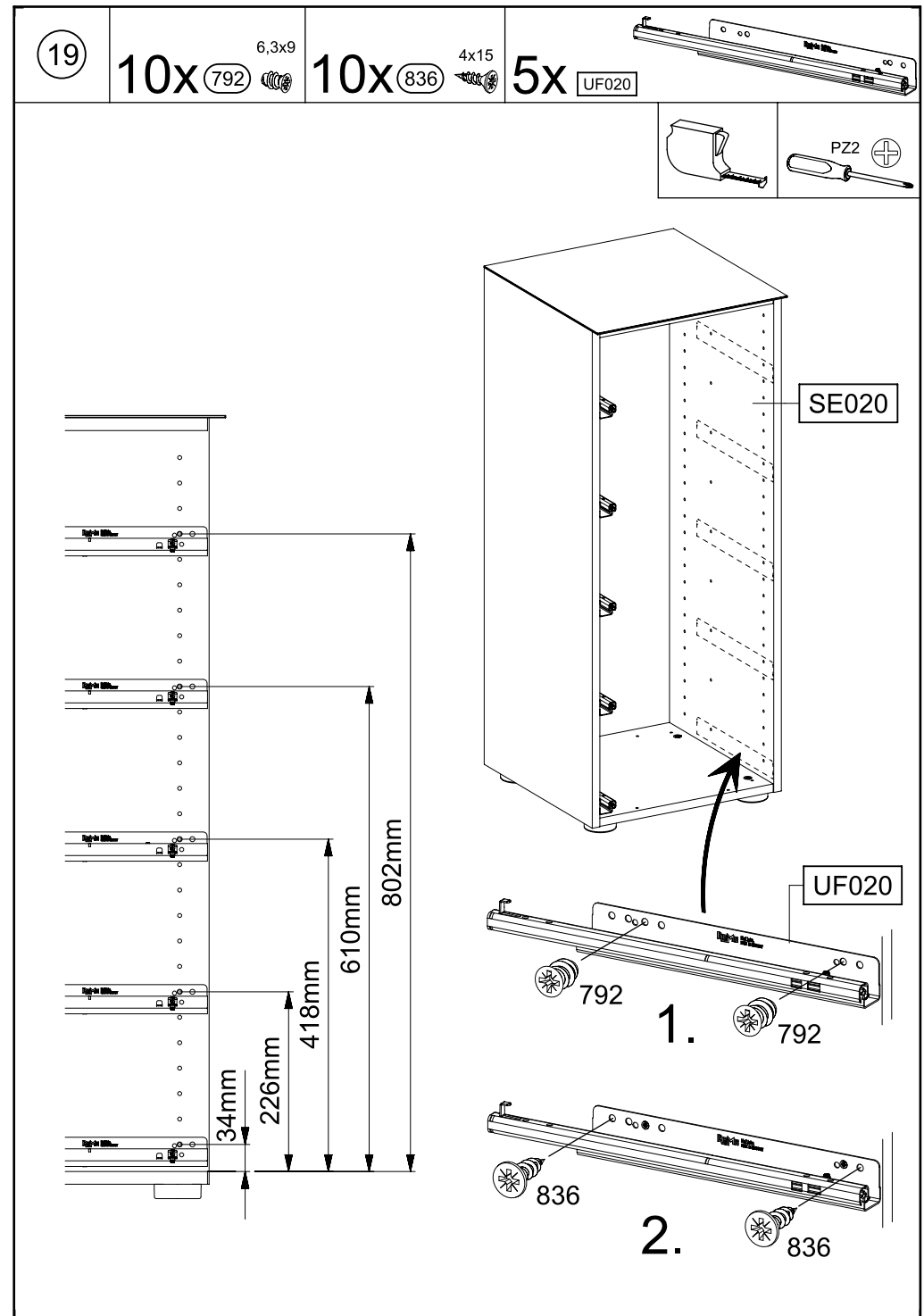
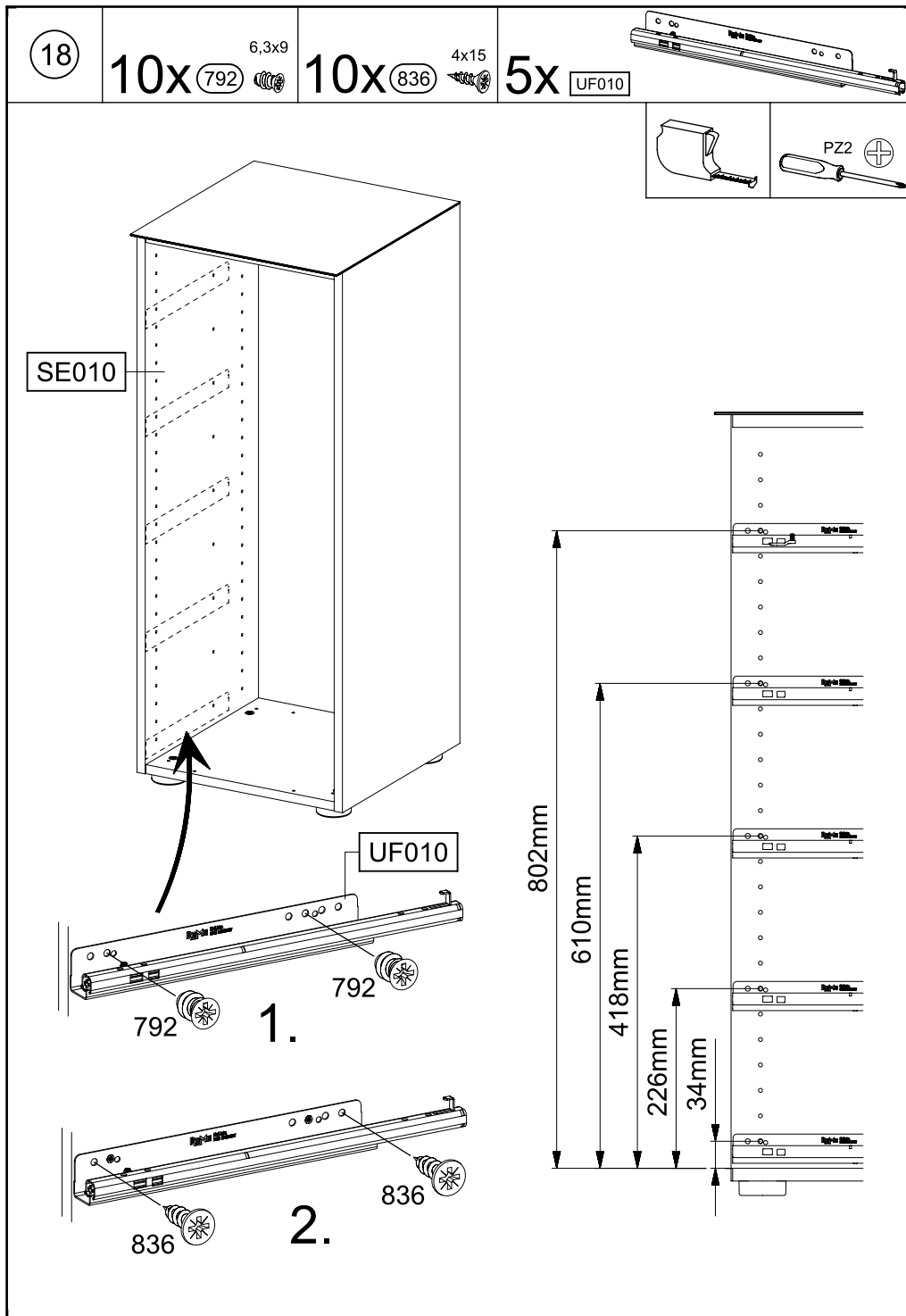
16

1x 1406



17

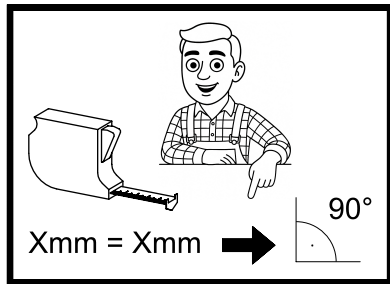
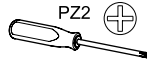
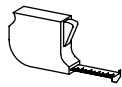




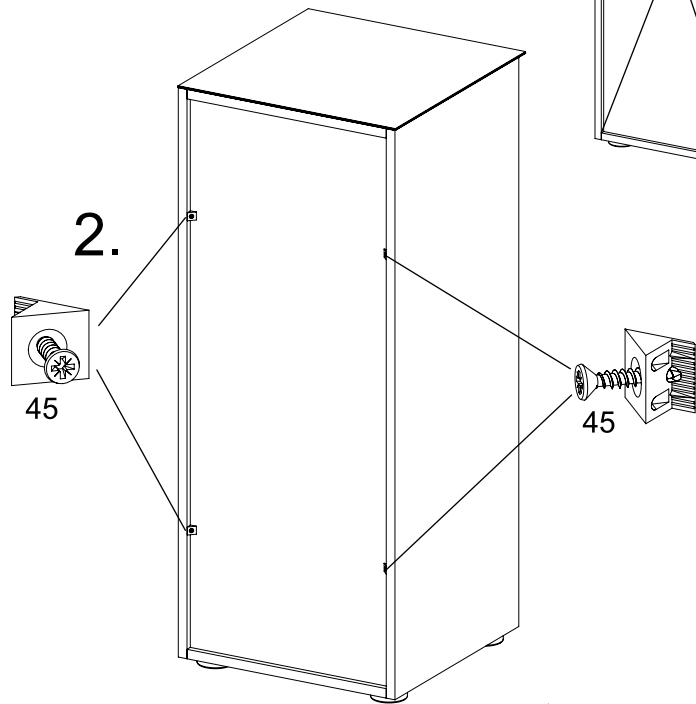
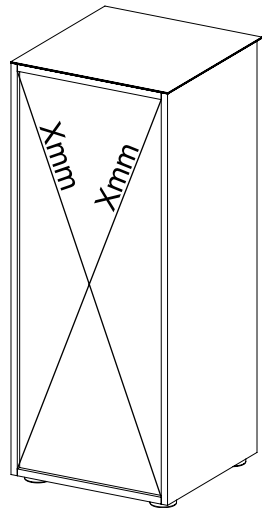
20

4x

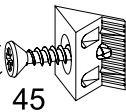
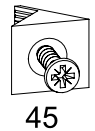
45



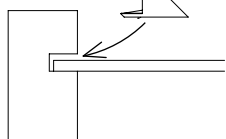
1.



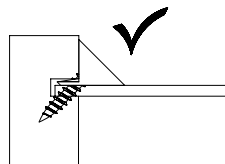
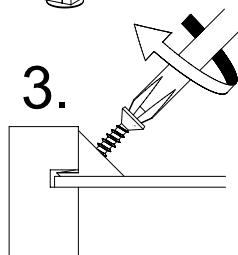
2.



2.



3.



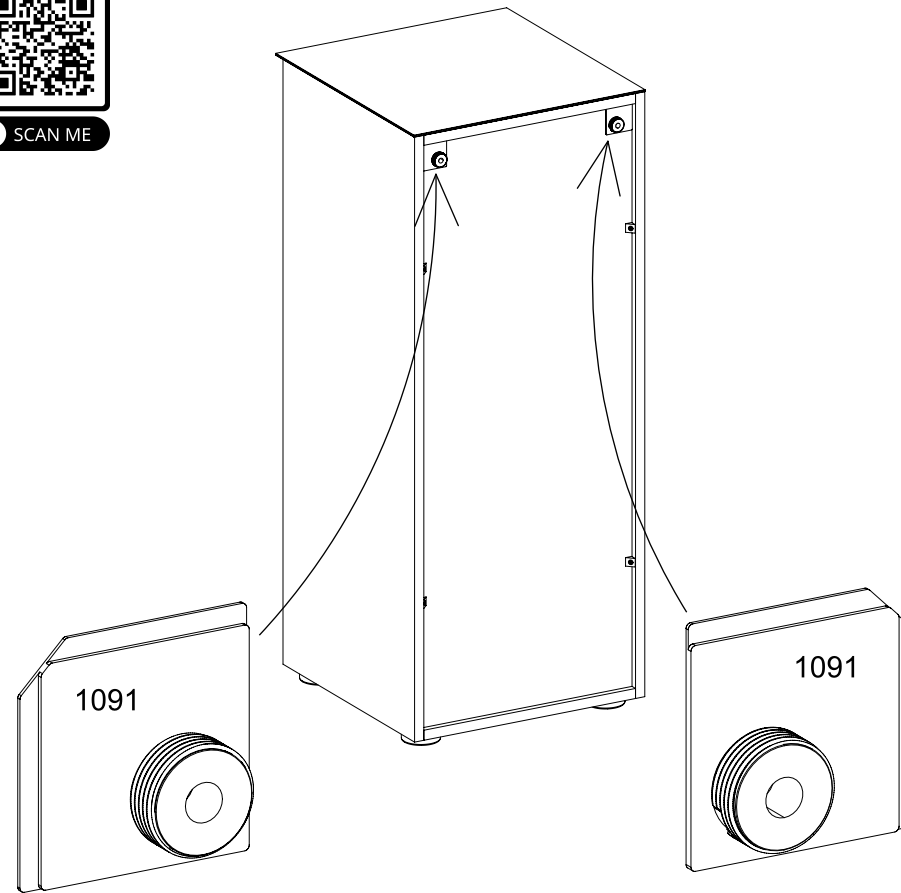
21

2x

1091

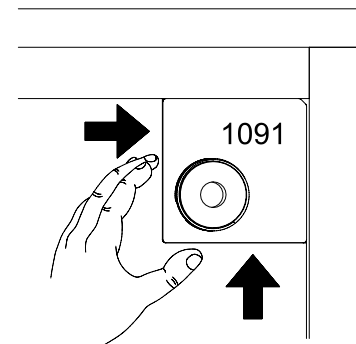
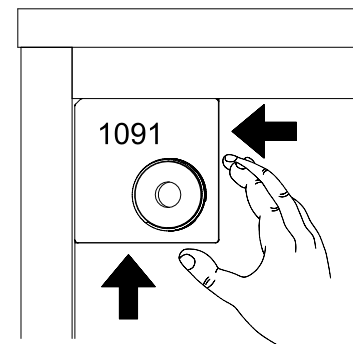


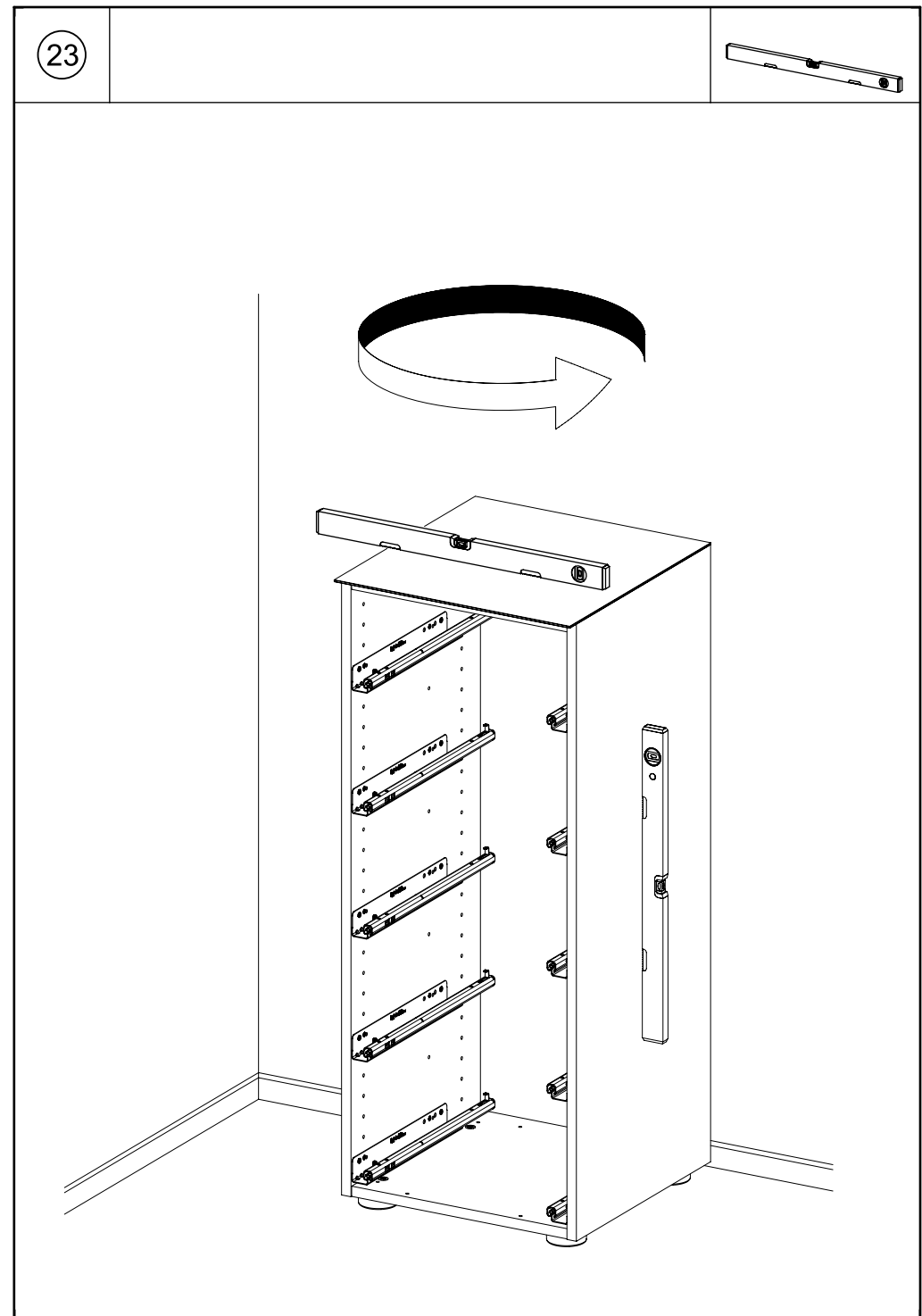
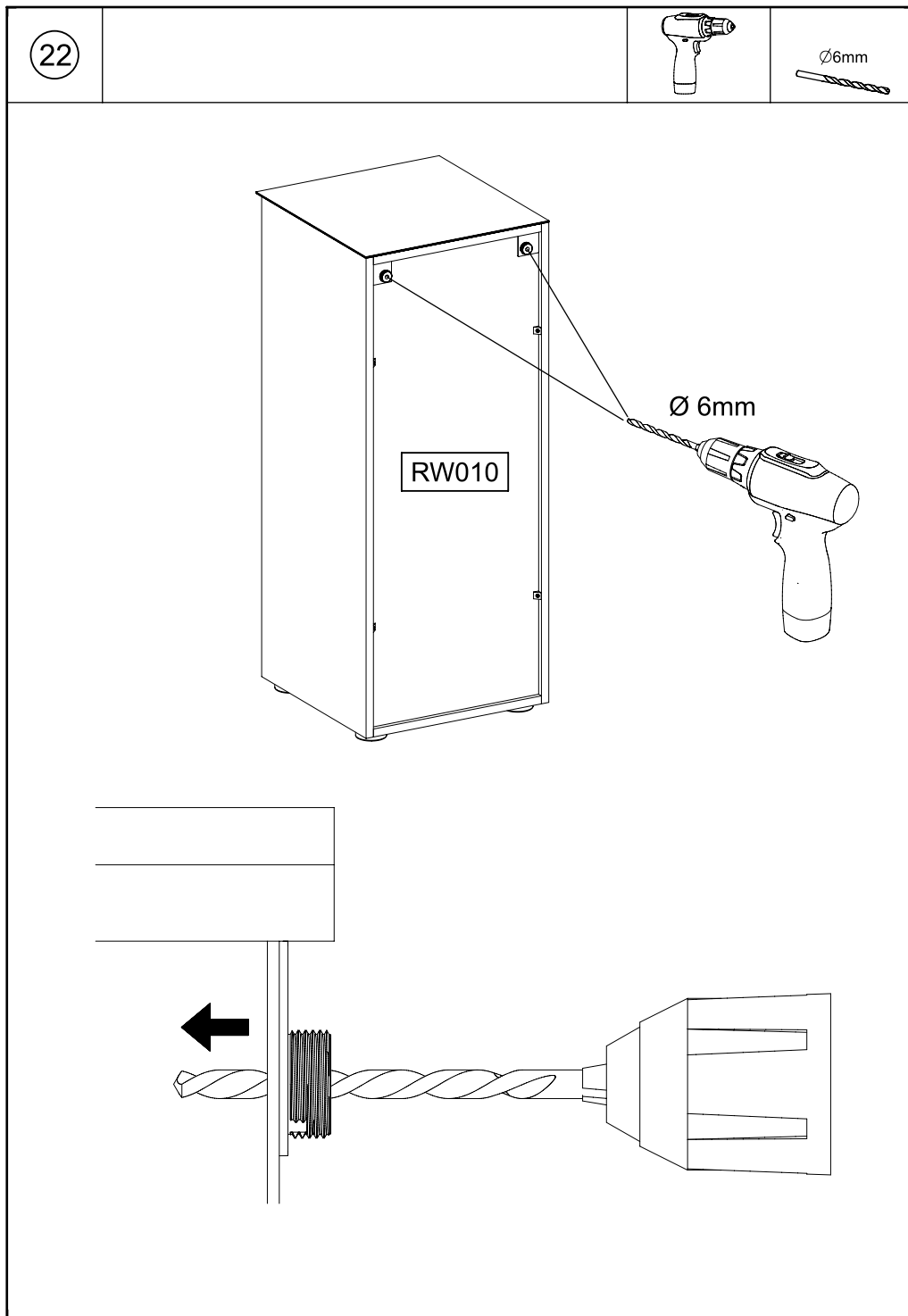
SCAN ME



1091

1091





24

2x

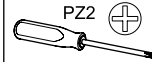
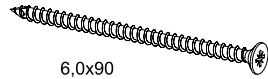
1093



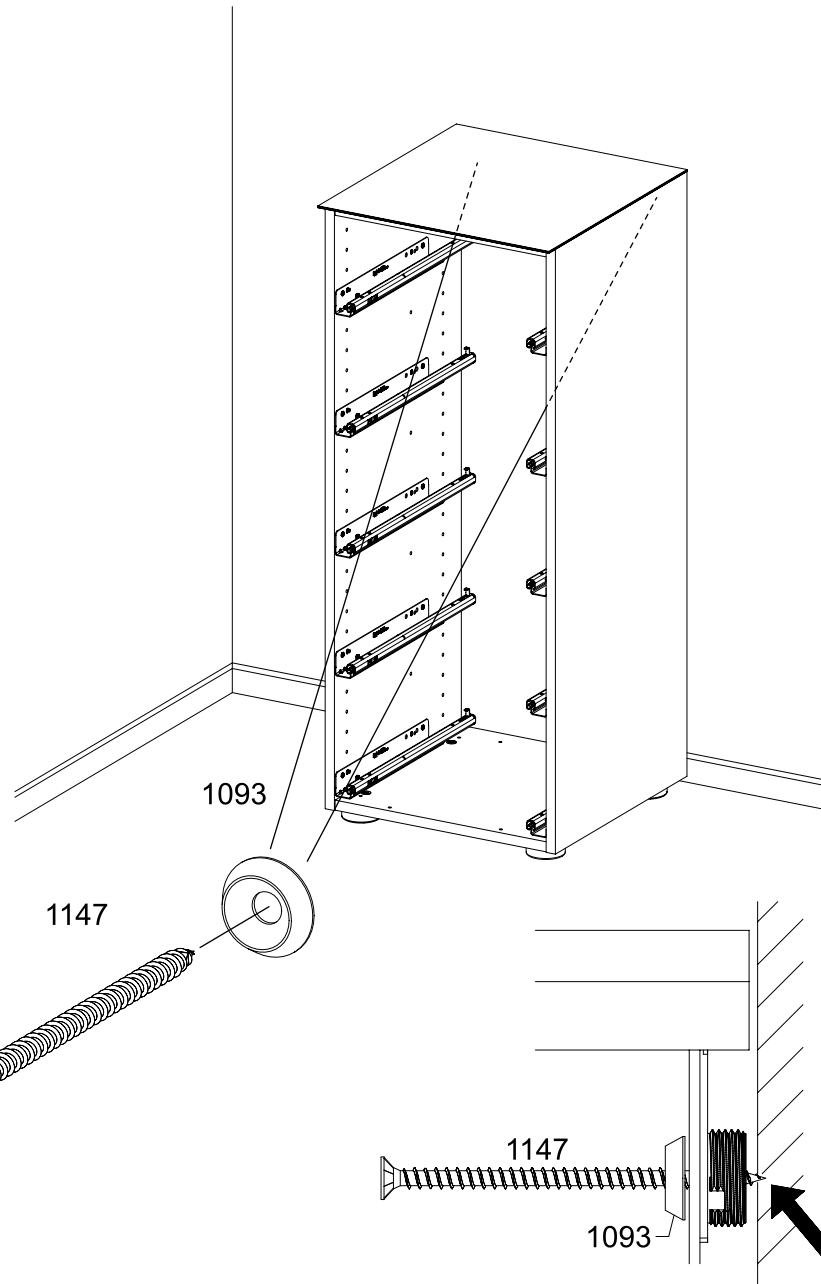
2x

1147

6,0x90



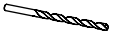
PZ2



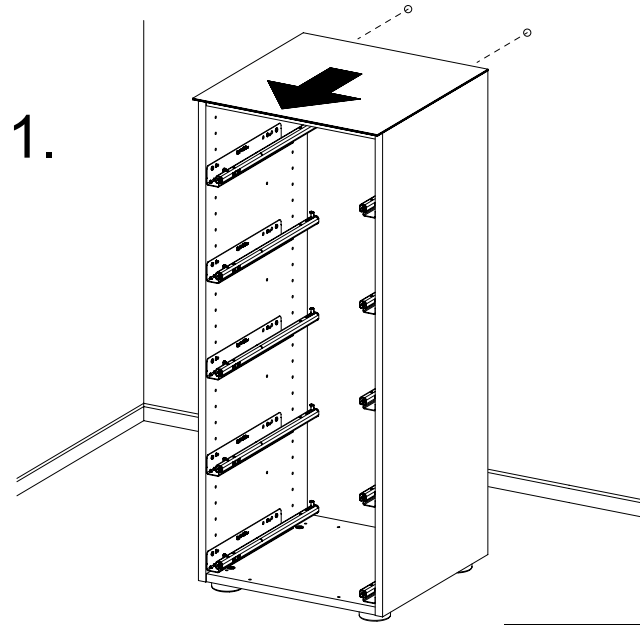
25



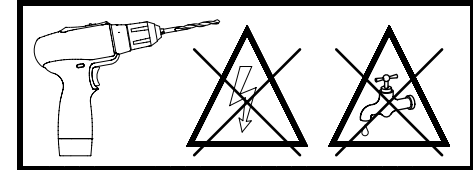
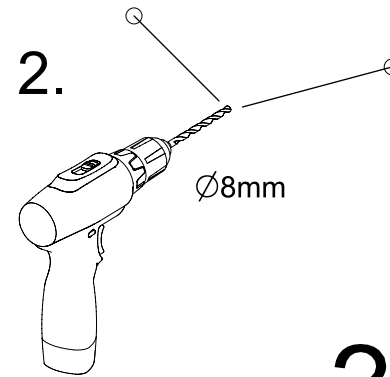
Ø8mm



1.

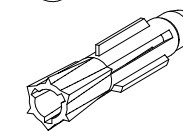
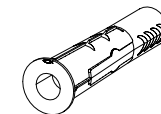


2.

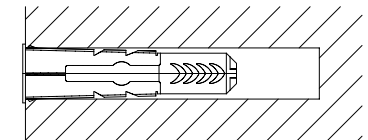


?

3.

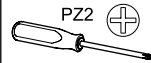


Ø8mm

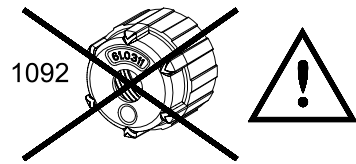
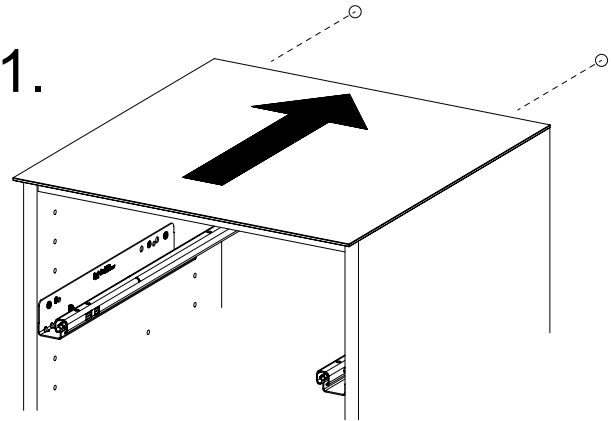


26

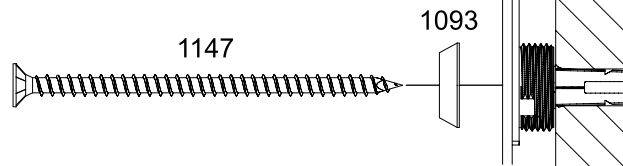
2x 1092



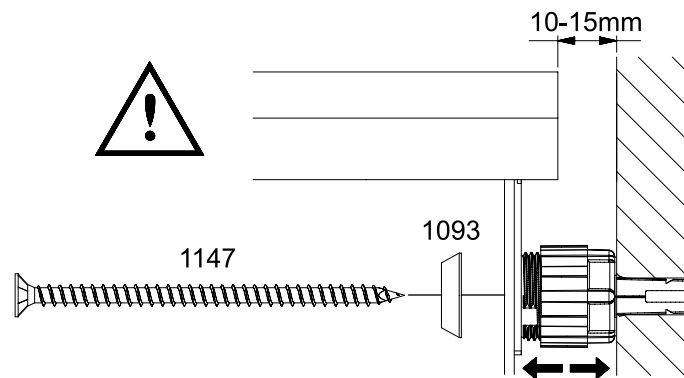
1.



2.

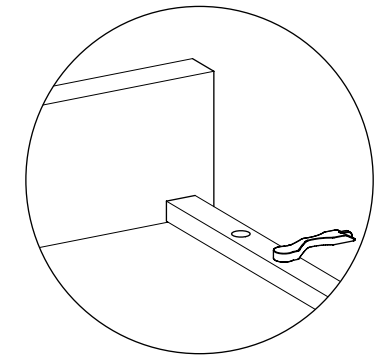
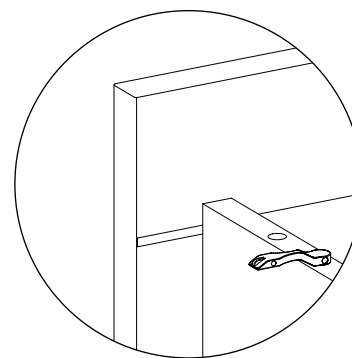
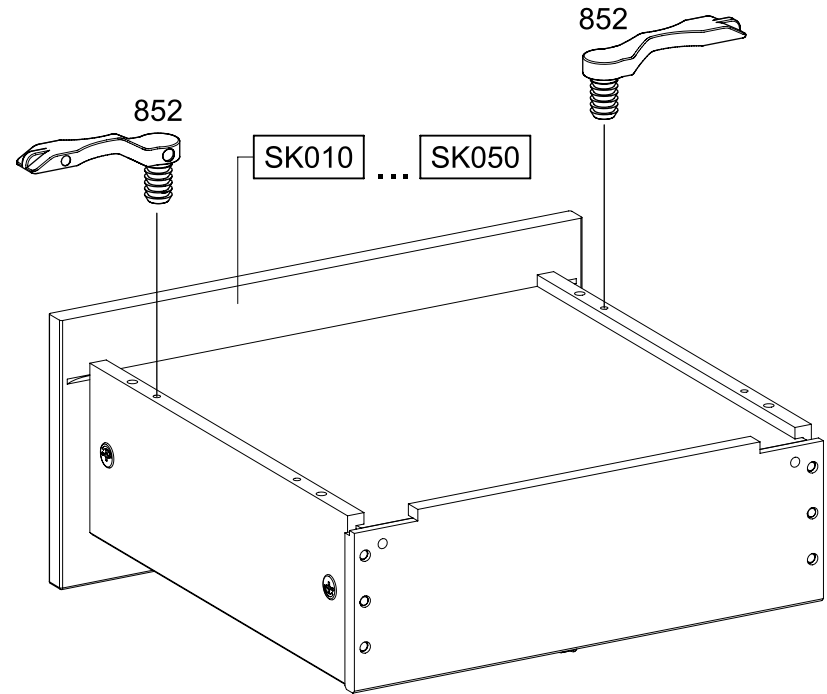
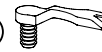


2.

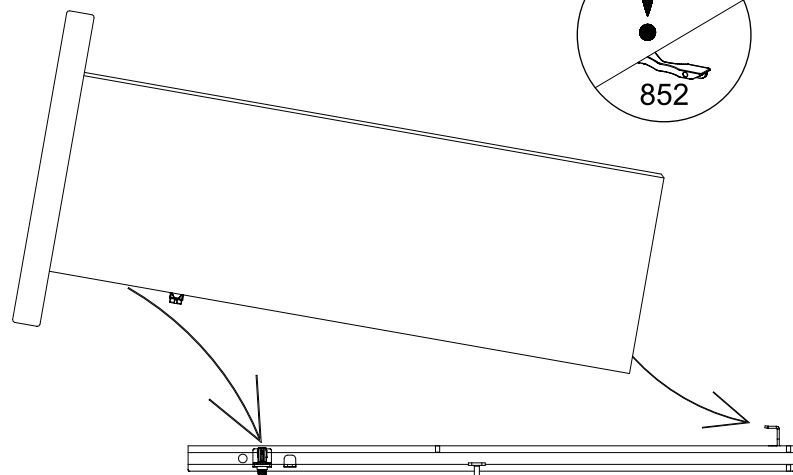
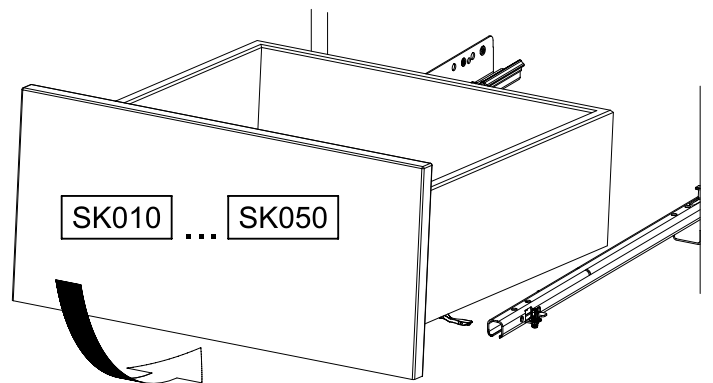
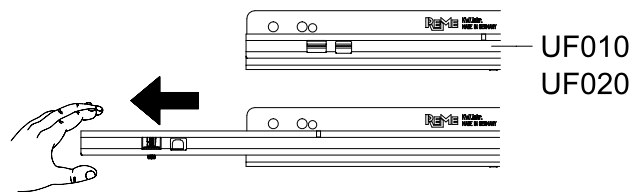


27

10x 852



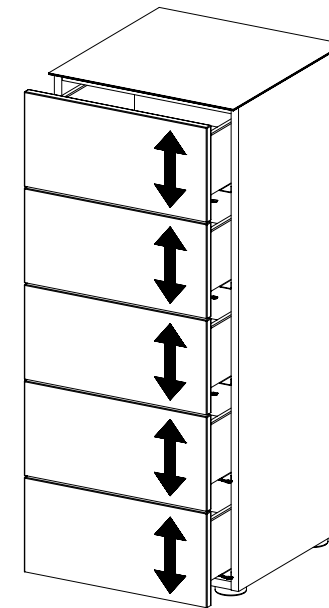
28



29



SCAN ME



SK010  
SK020  
SK030  
SK040  
SK050

