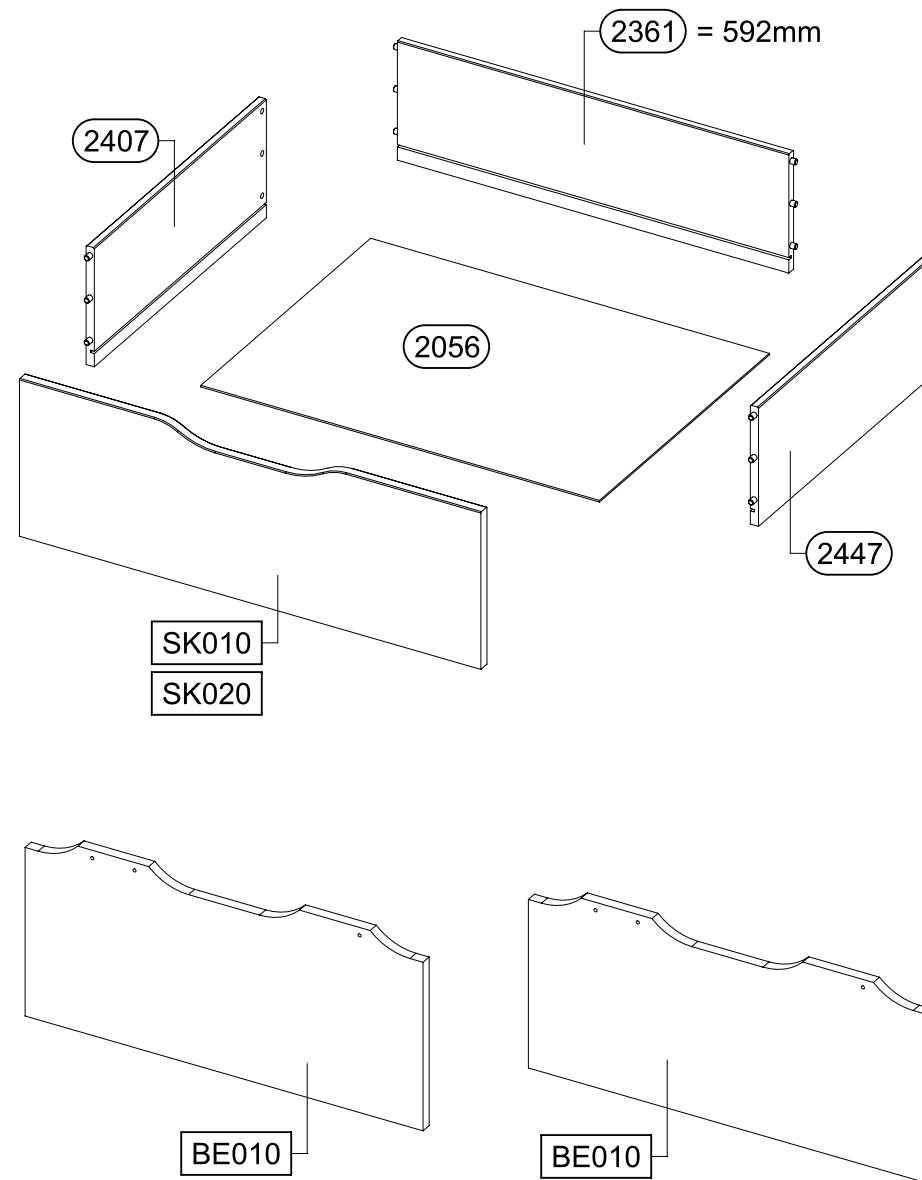
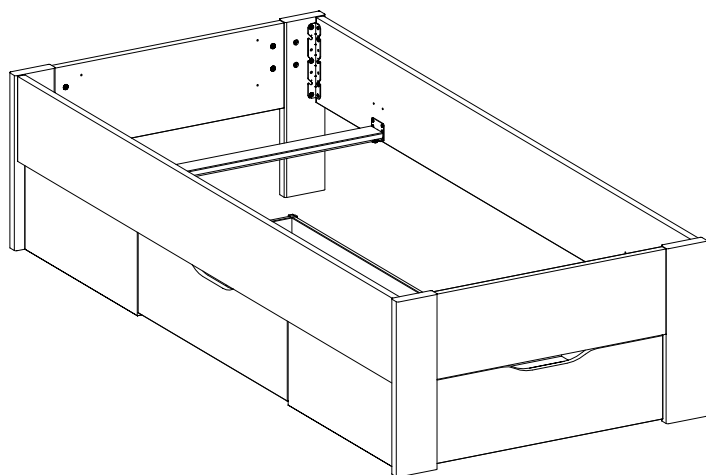
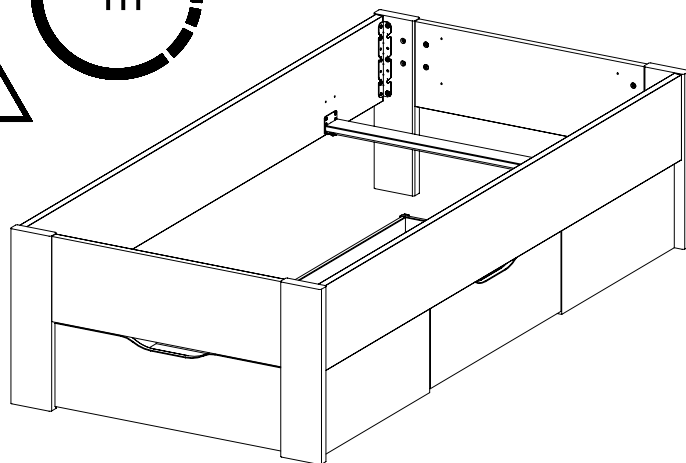
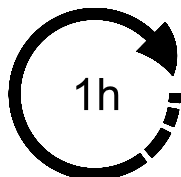
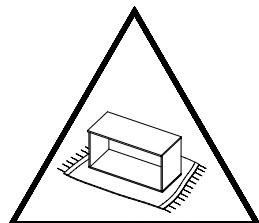
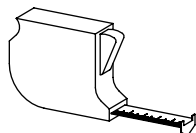
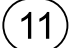

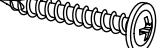



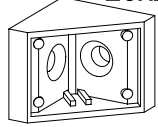

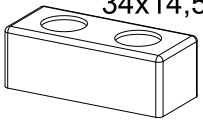
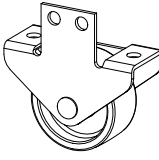
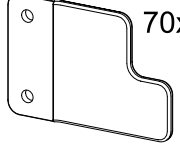


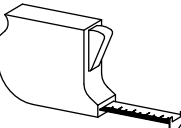
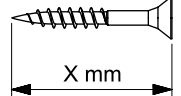
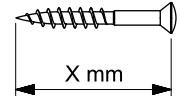
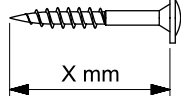
M3148_01




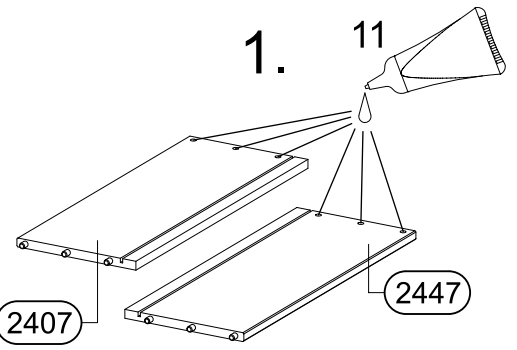
PZ2



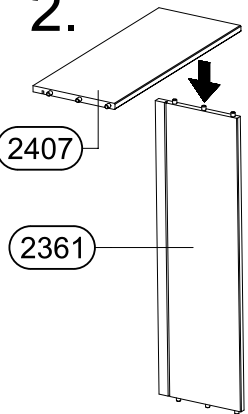
 11	16x 3,5x12  88	6x 4x30  203	4x 3,5x15  205
8x 4x17  244	8x 4,0x22  260	2x 20x20x18  458	
16x 3,0x20  636	4x 34x14,5x12  769	8x  1055	
4x  1064	70x48x3		







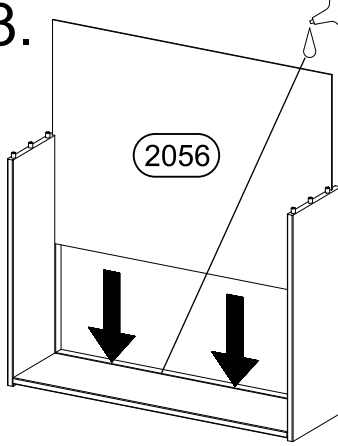
1.  11




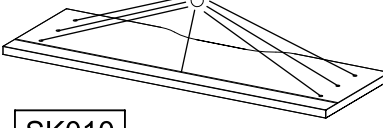
2.

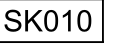
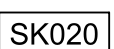


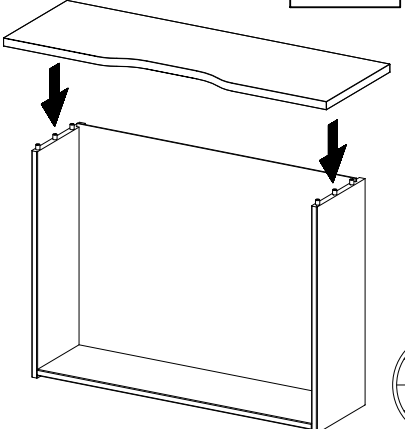
3.  11

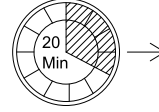


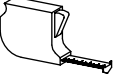
4.  11



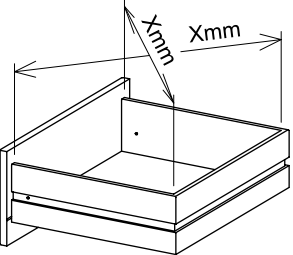
5.  

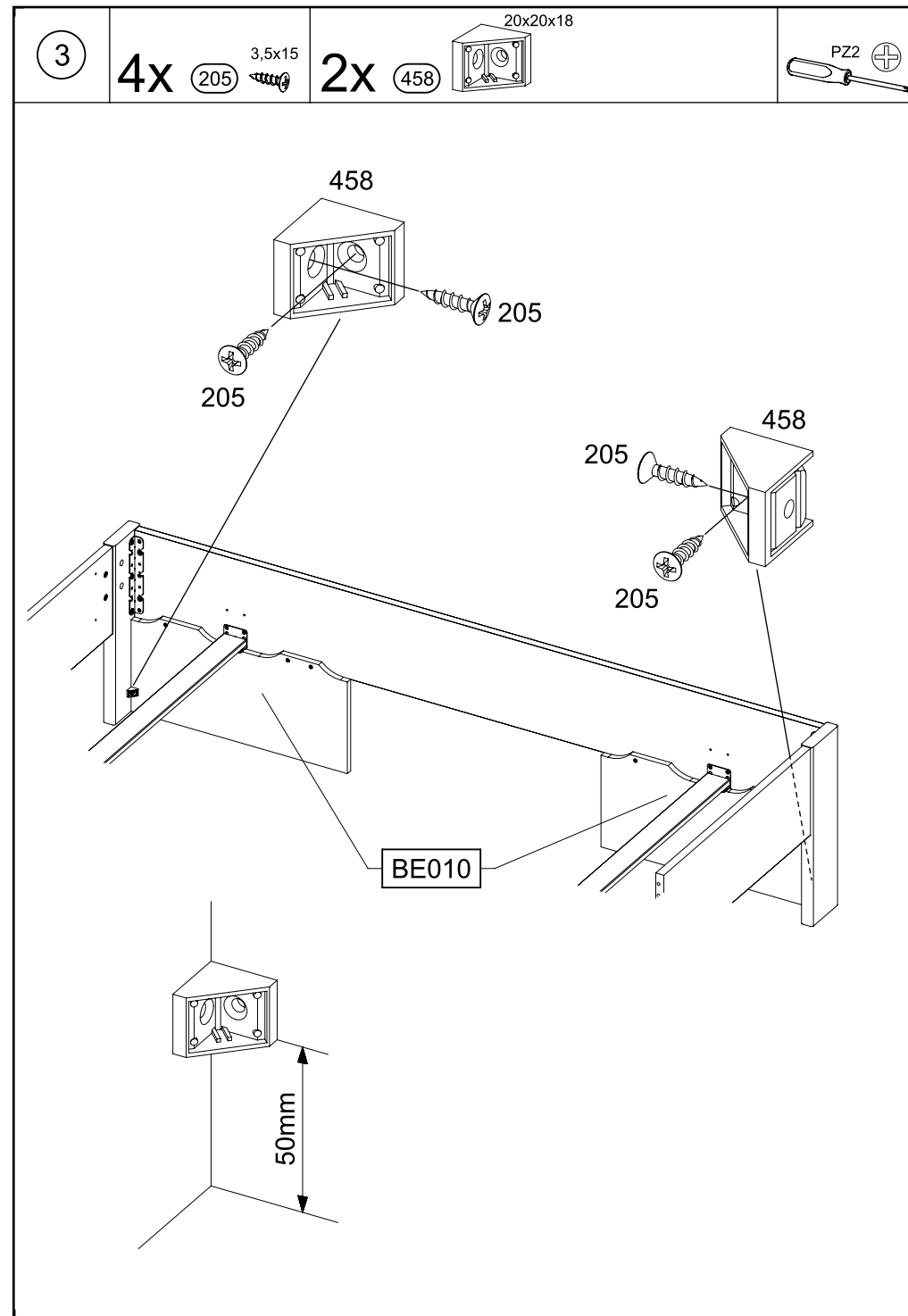
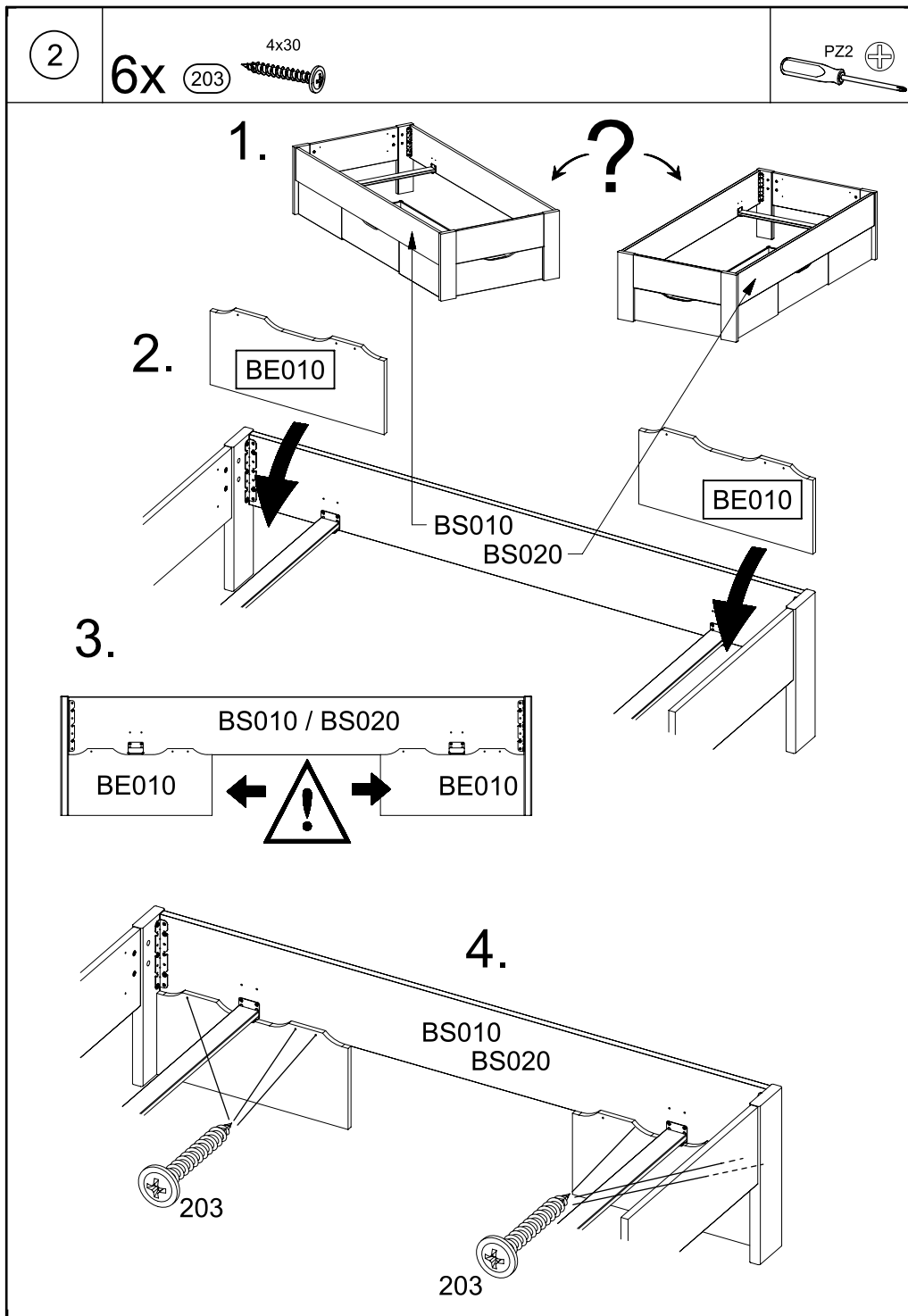


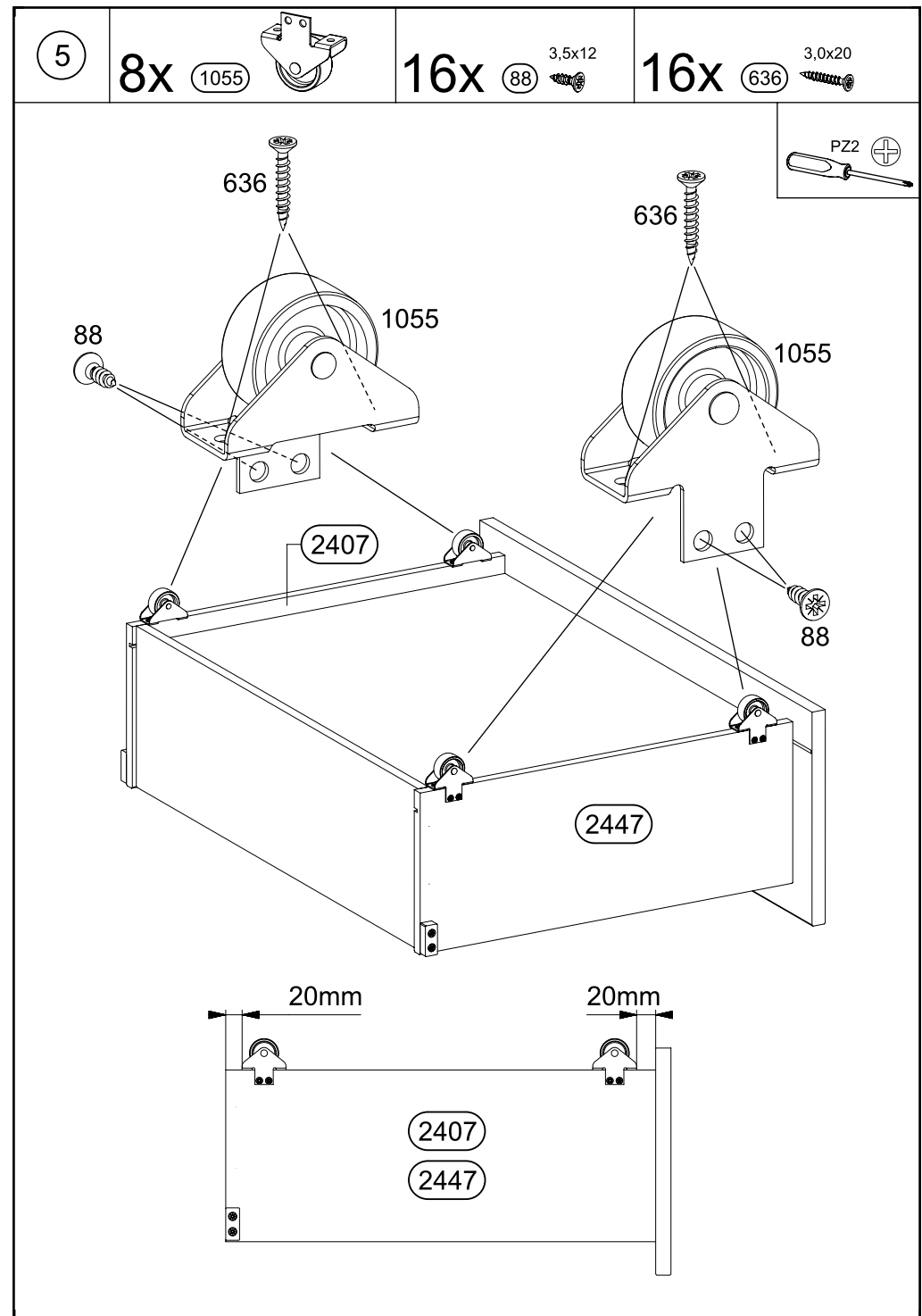
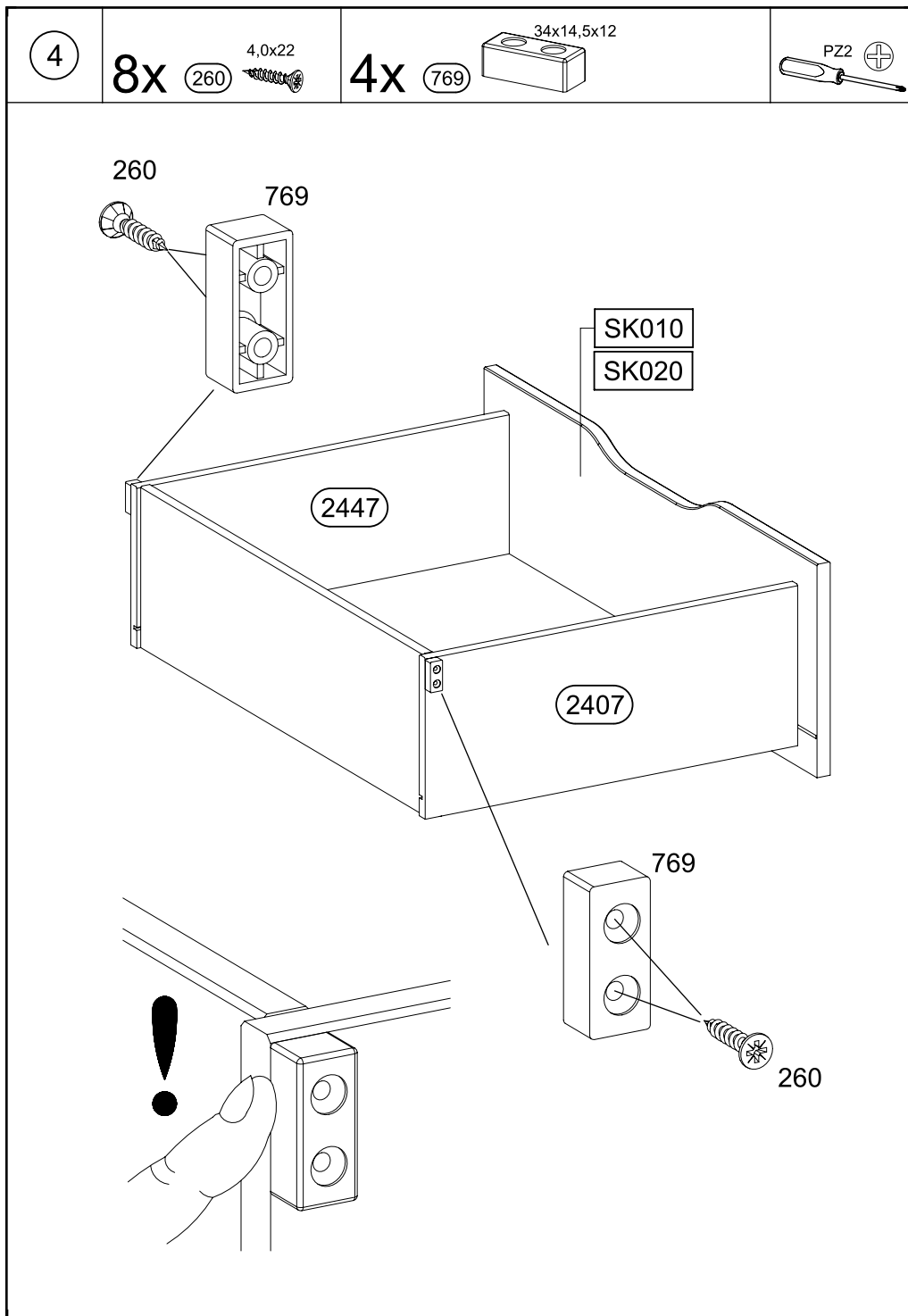


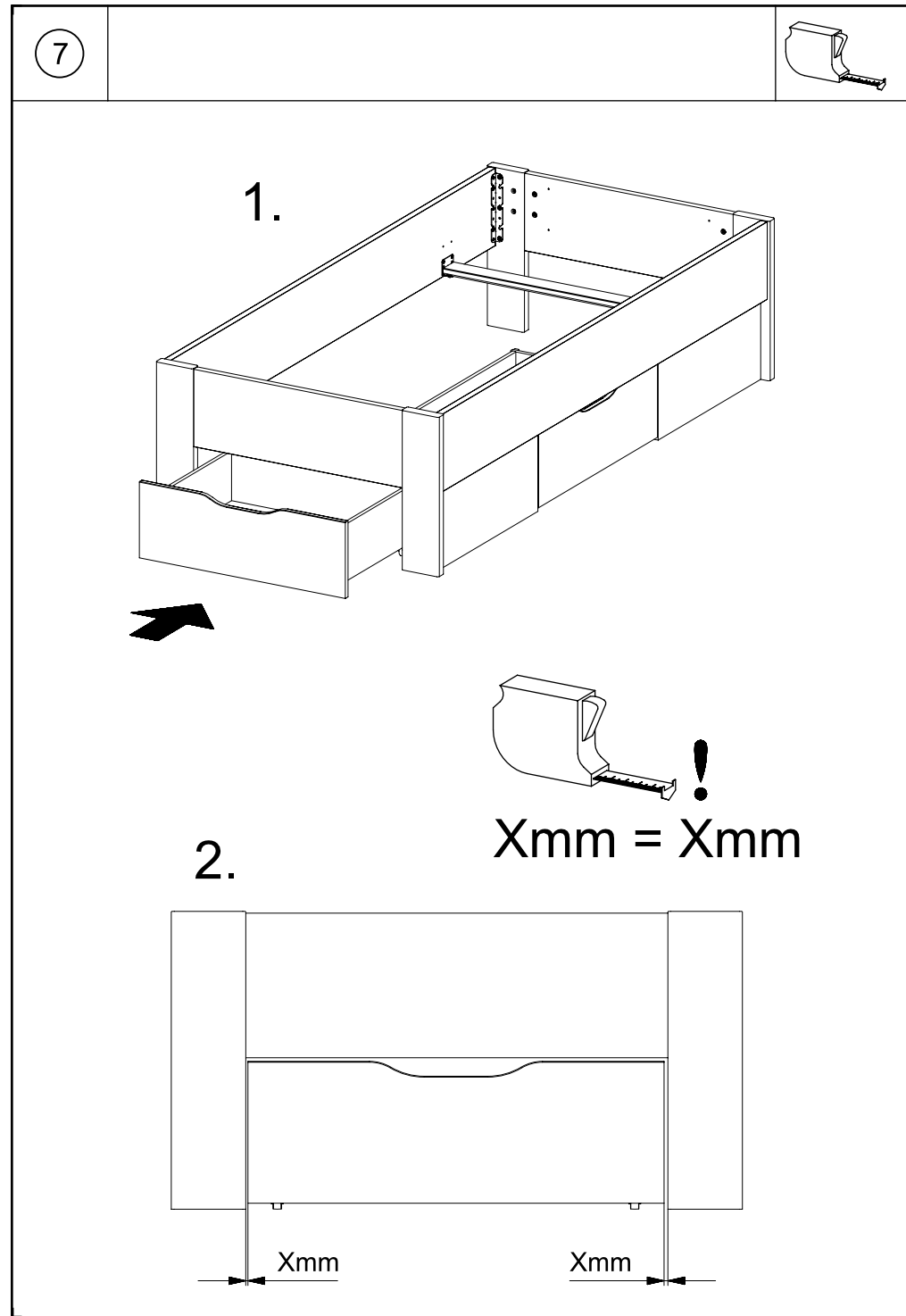
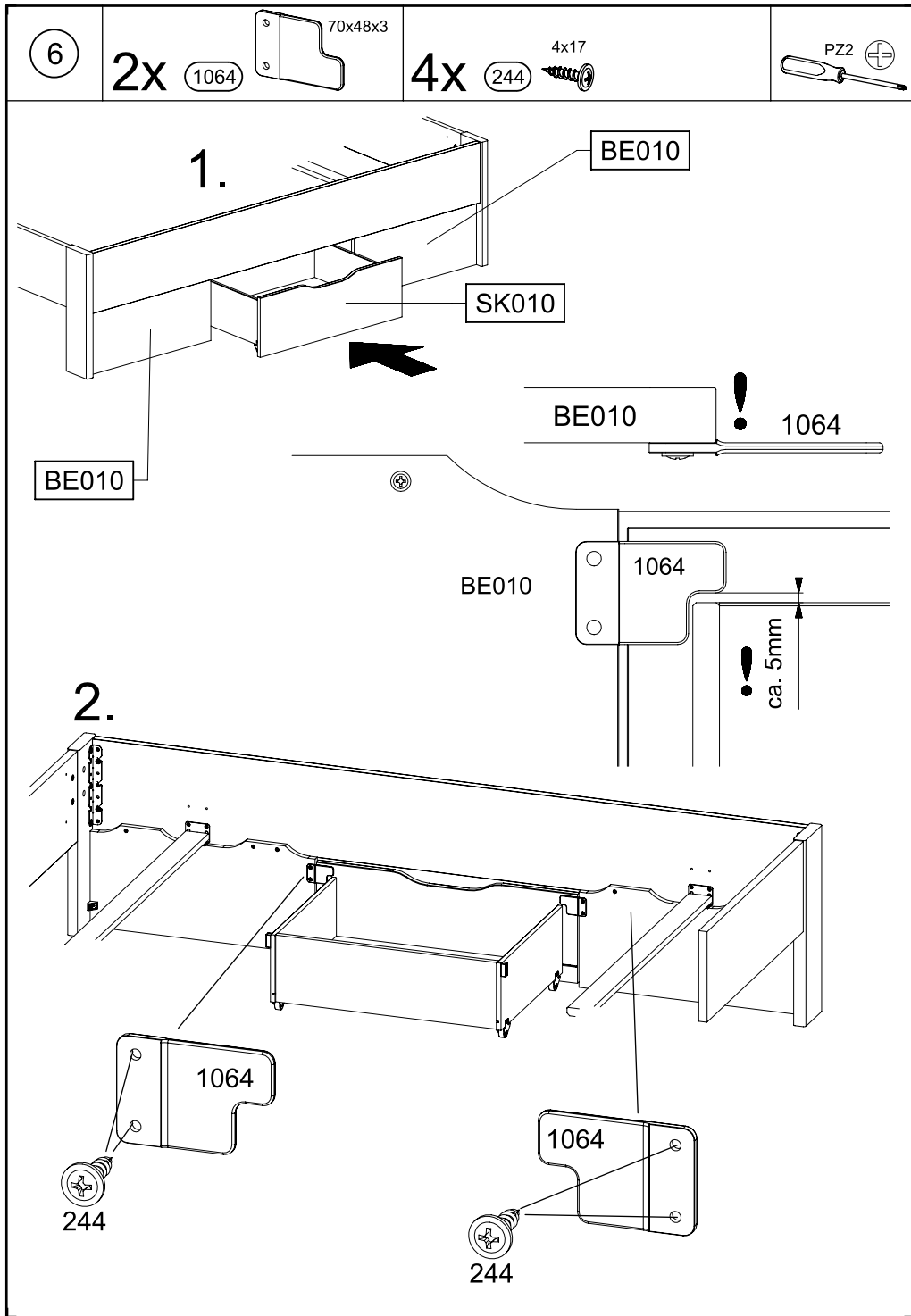


Xmm = Xmm



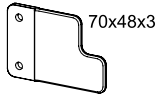






8

2x 1064

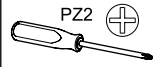


70x48x3

4x 244



4x17



PZ2

