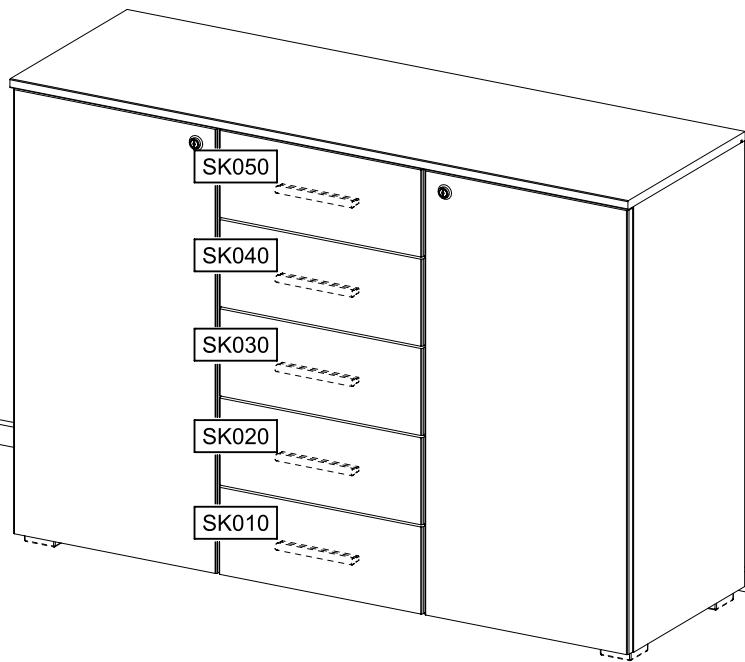
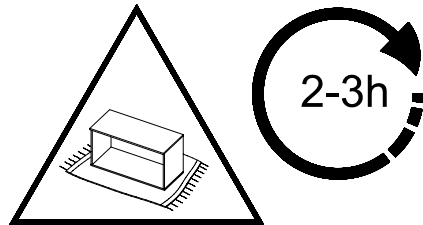
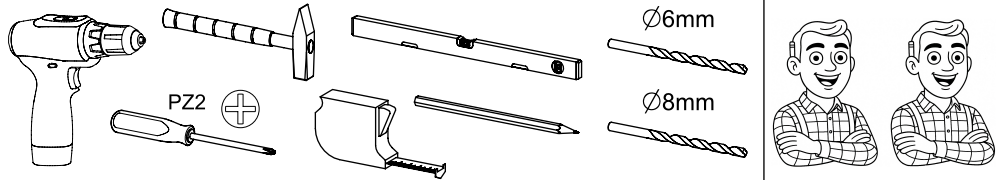
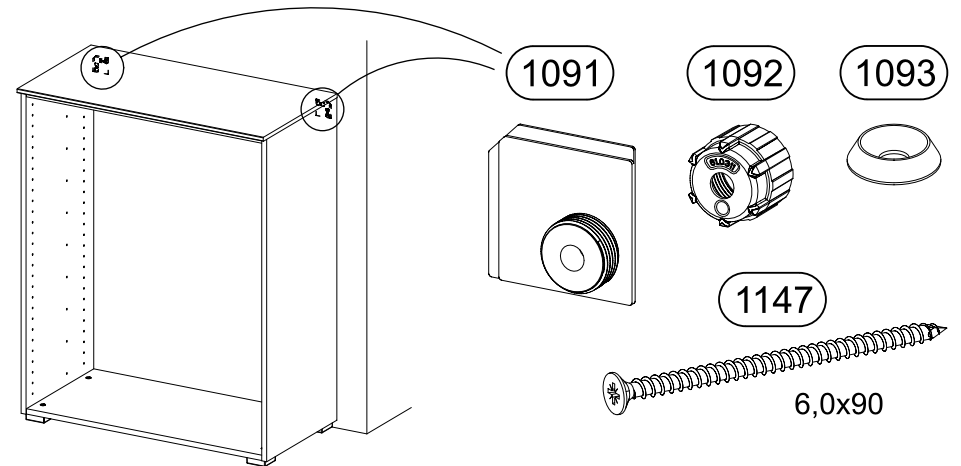
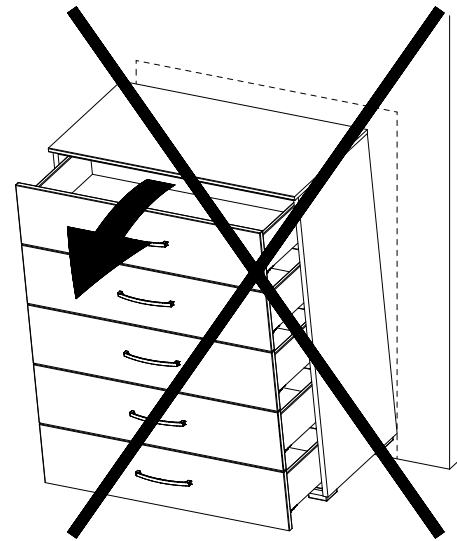


1.

M3146\_02



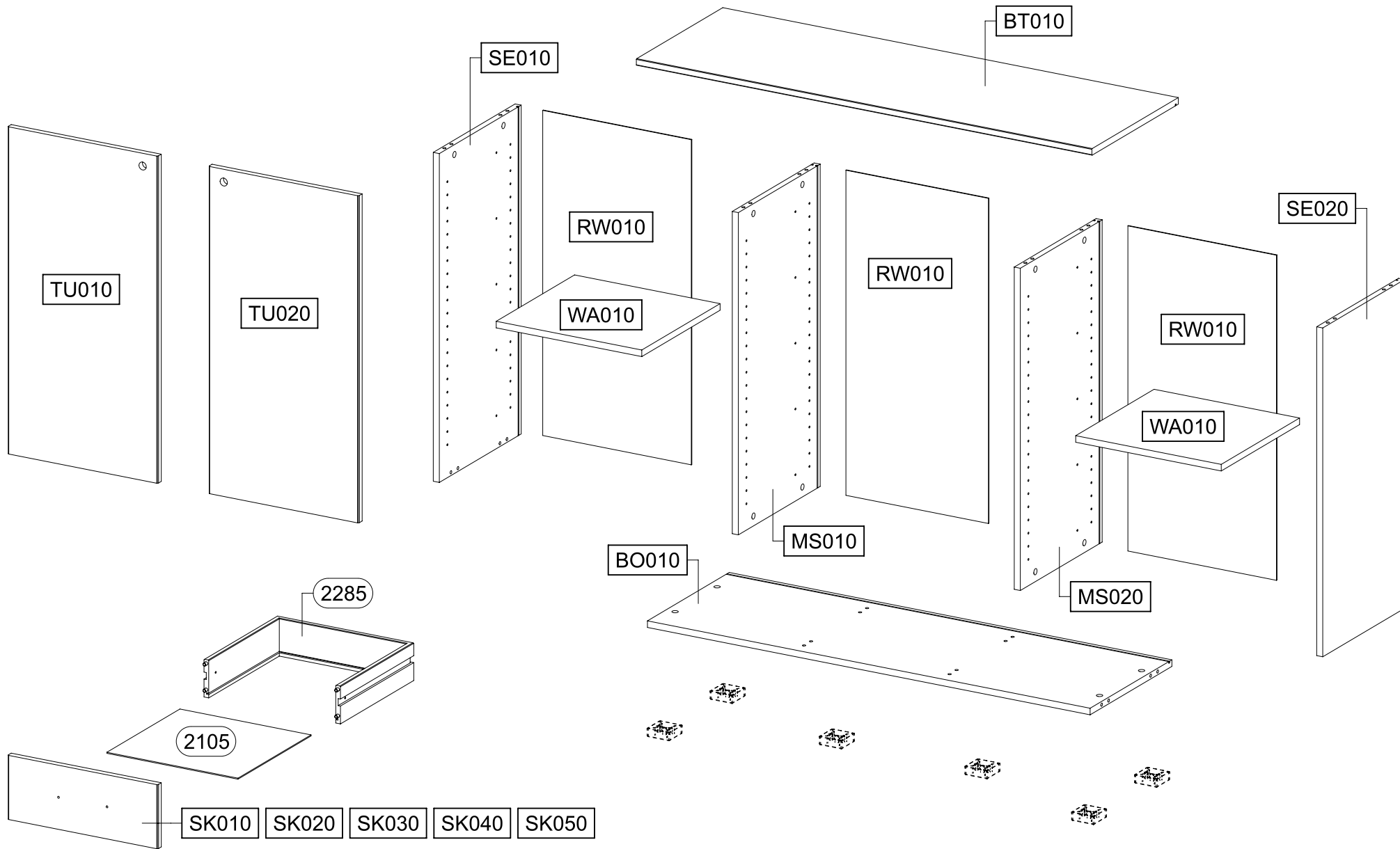
2.

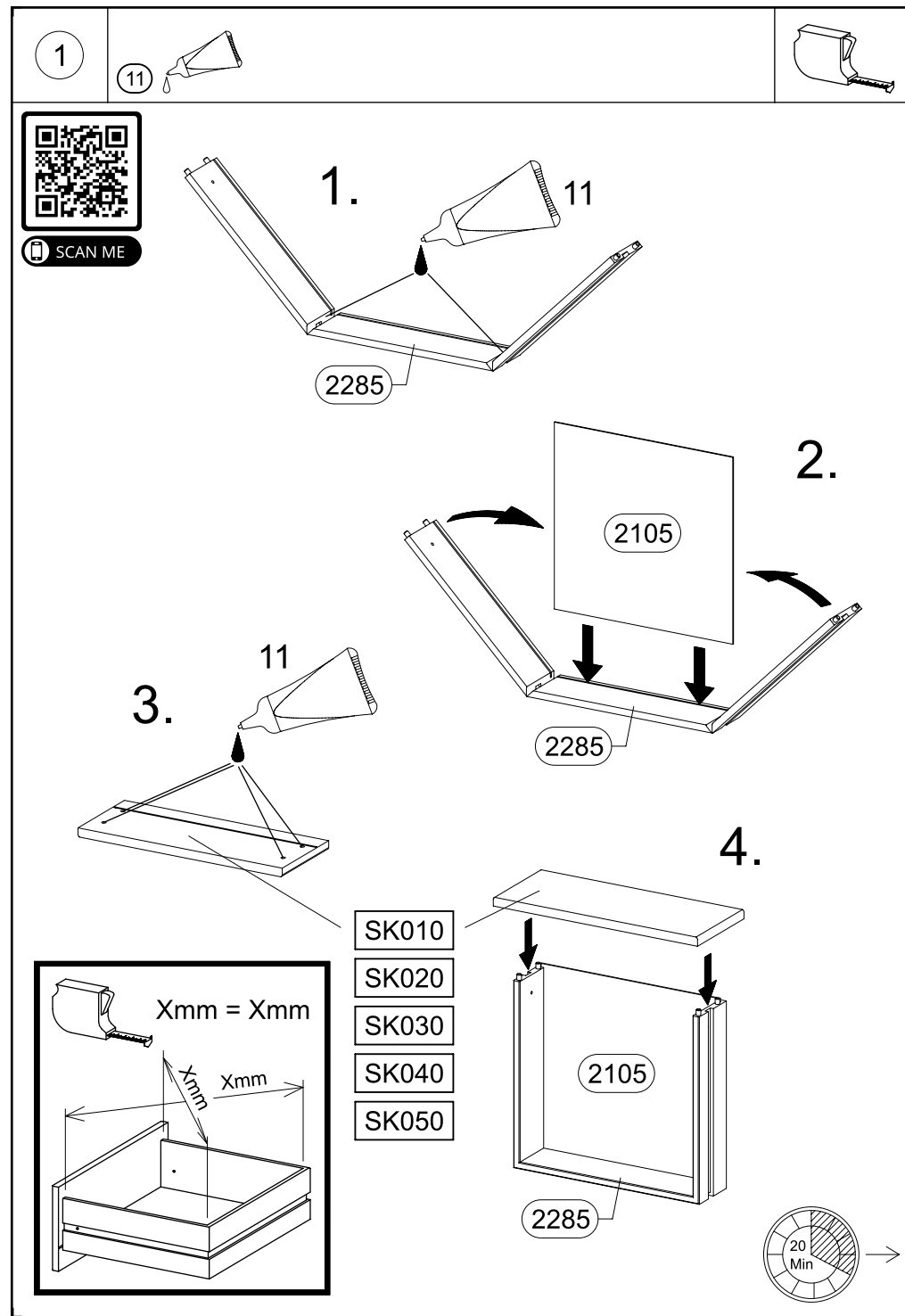
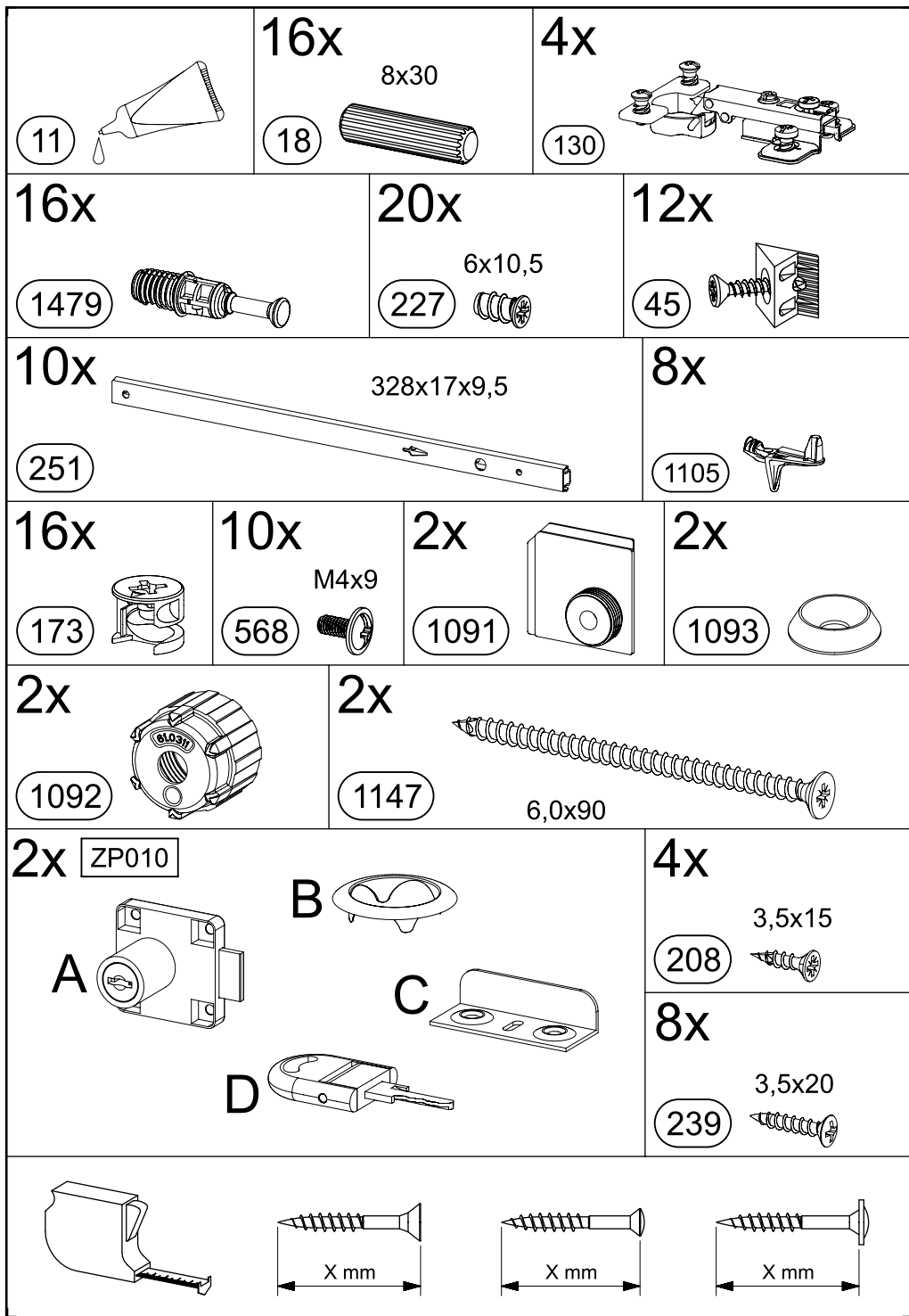


VIDEO



SCAN ME





2

1479



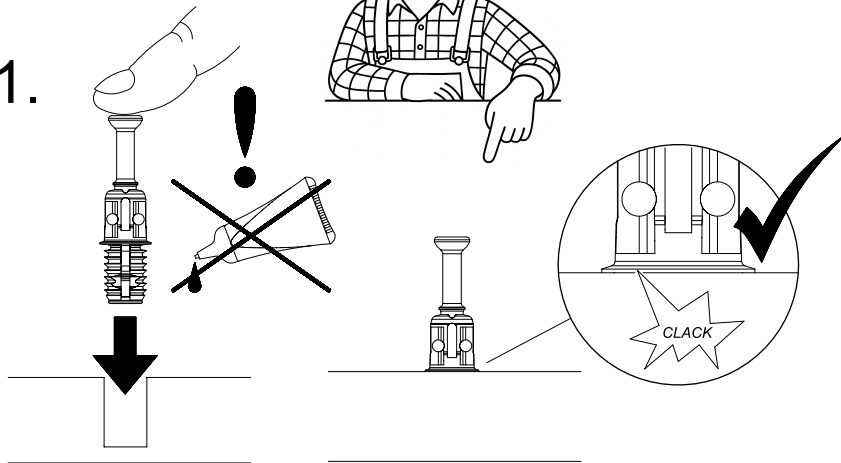
# Function!



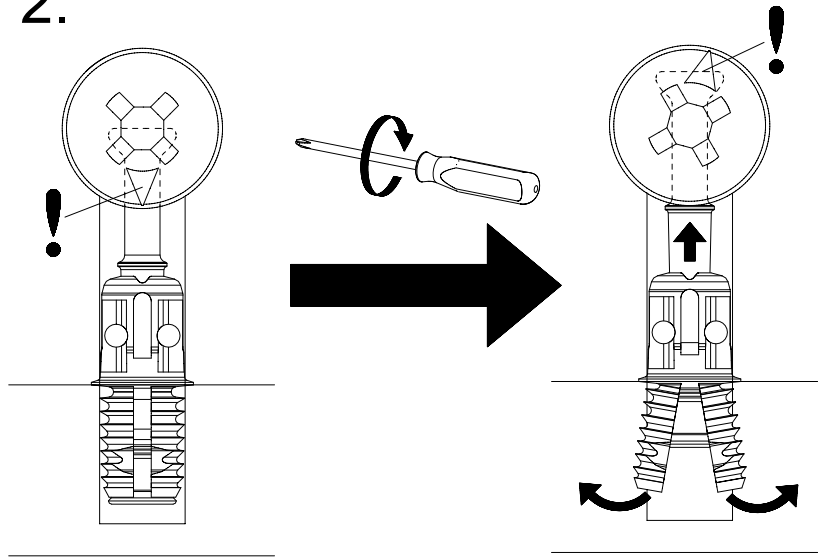
Scan Me



1.



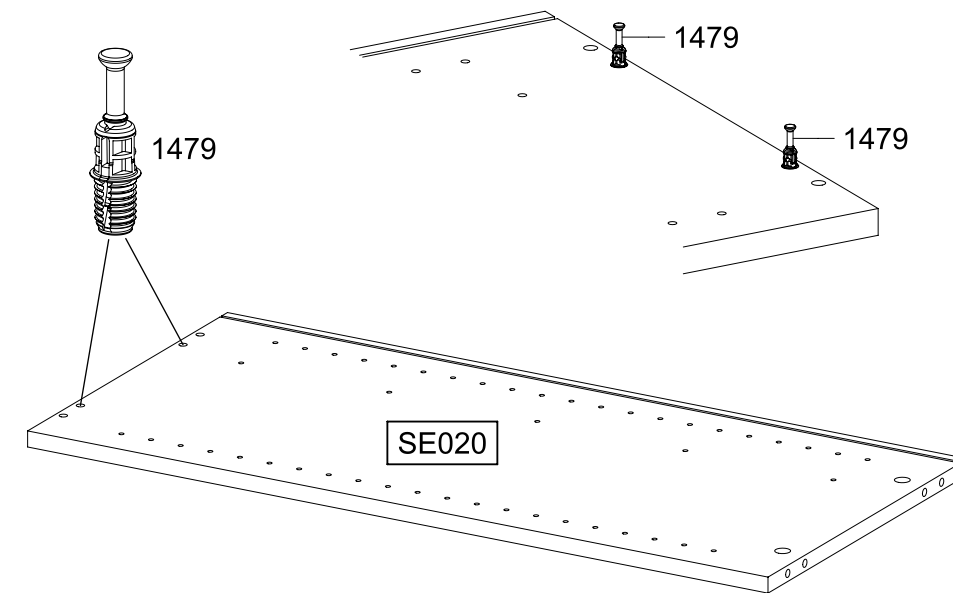
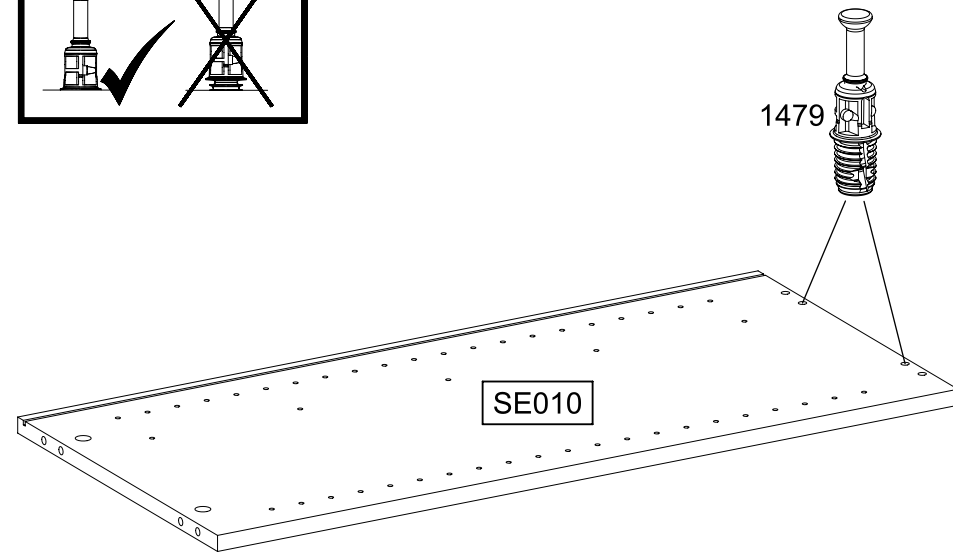
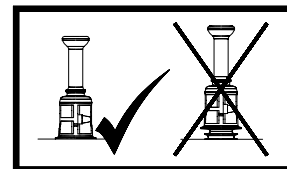
2.

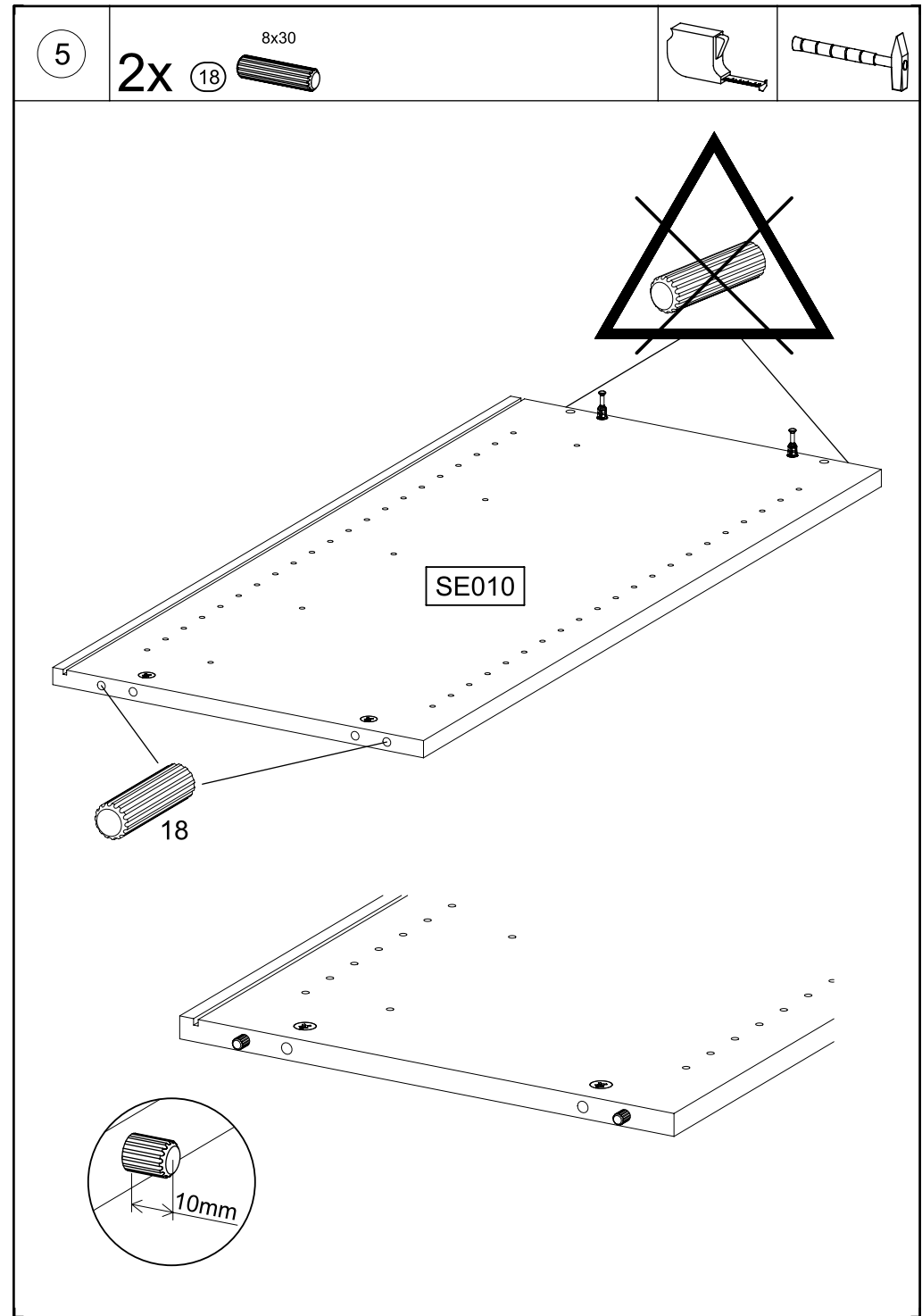
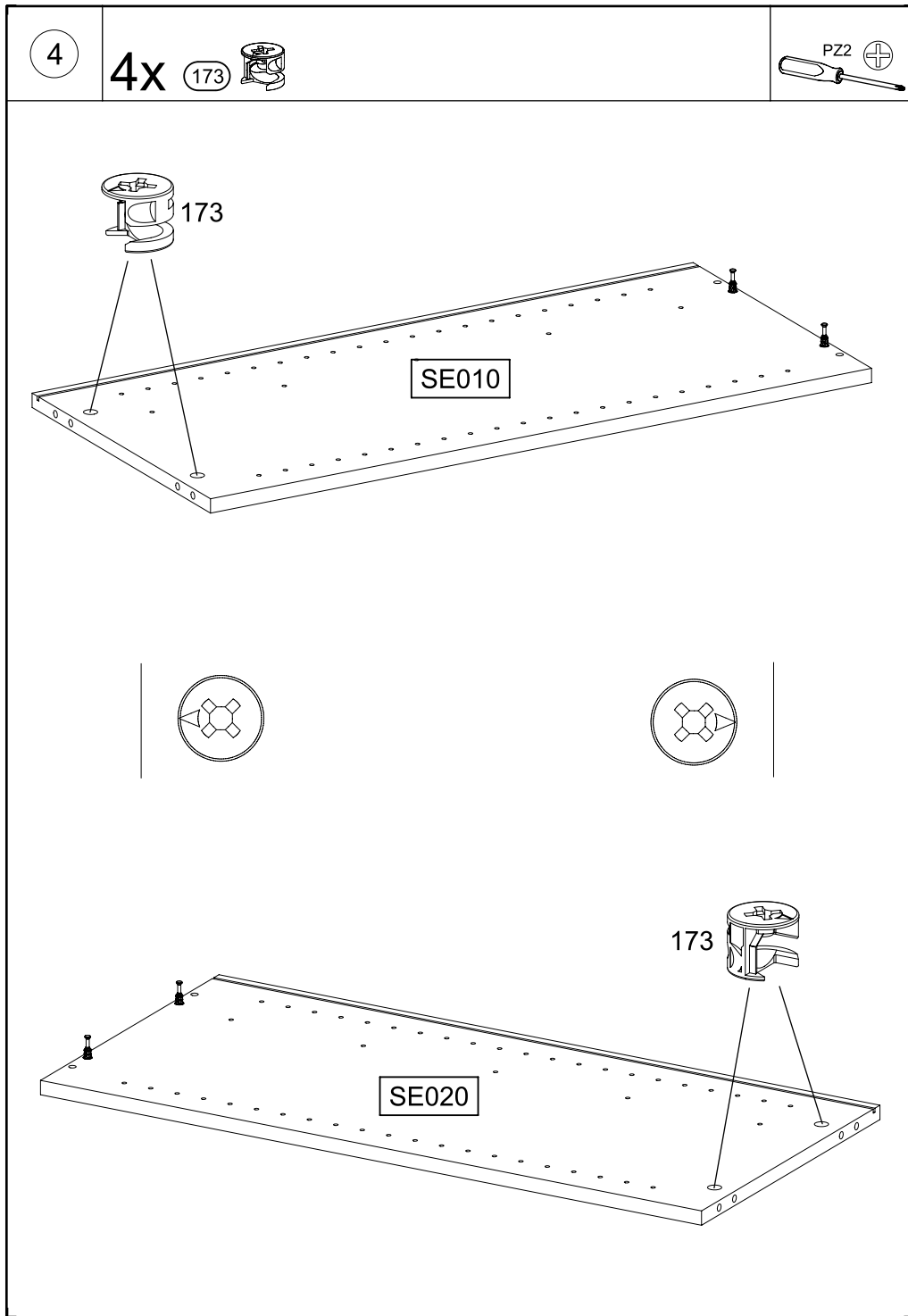


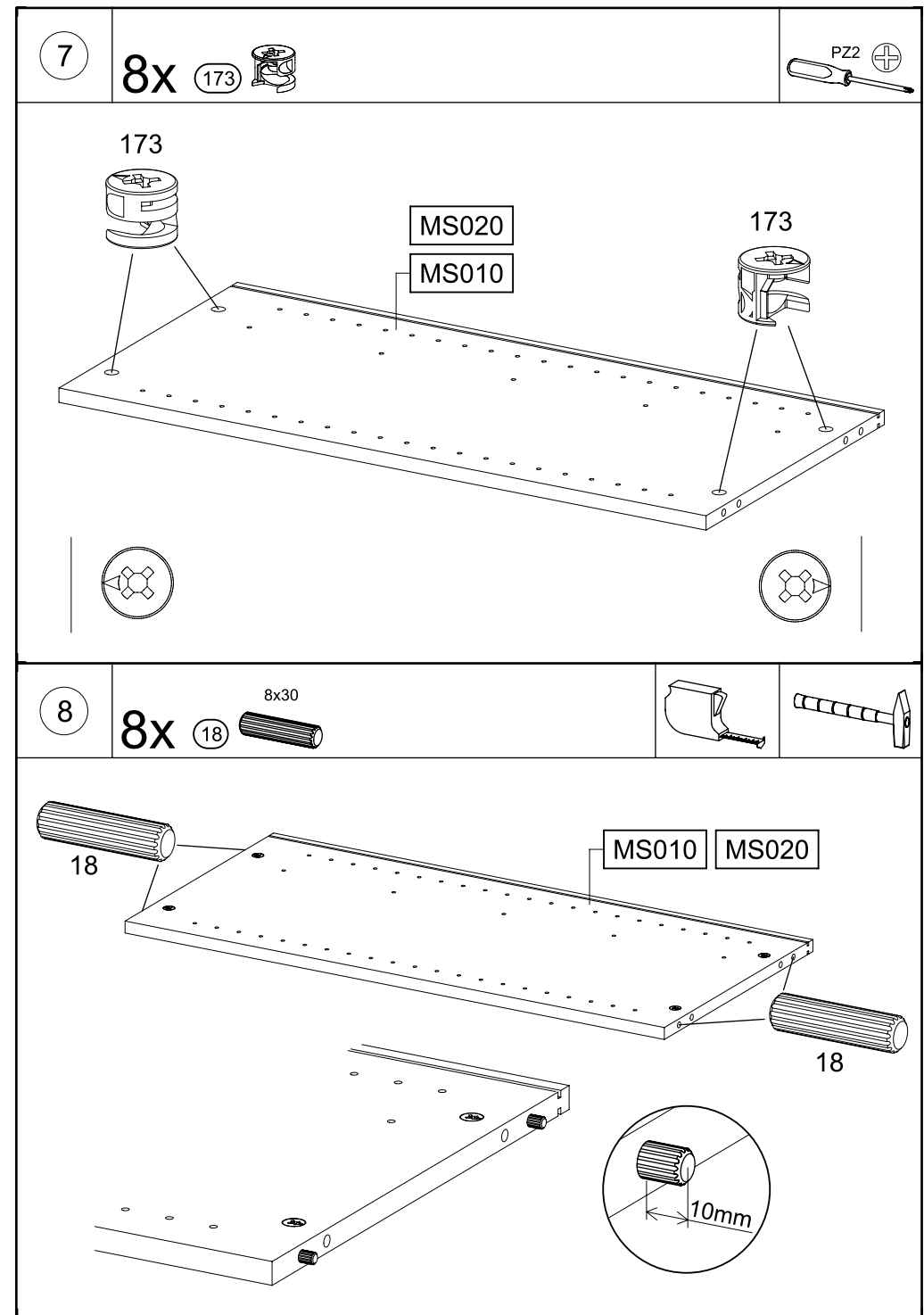
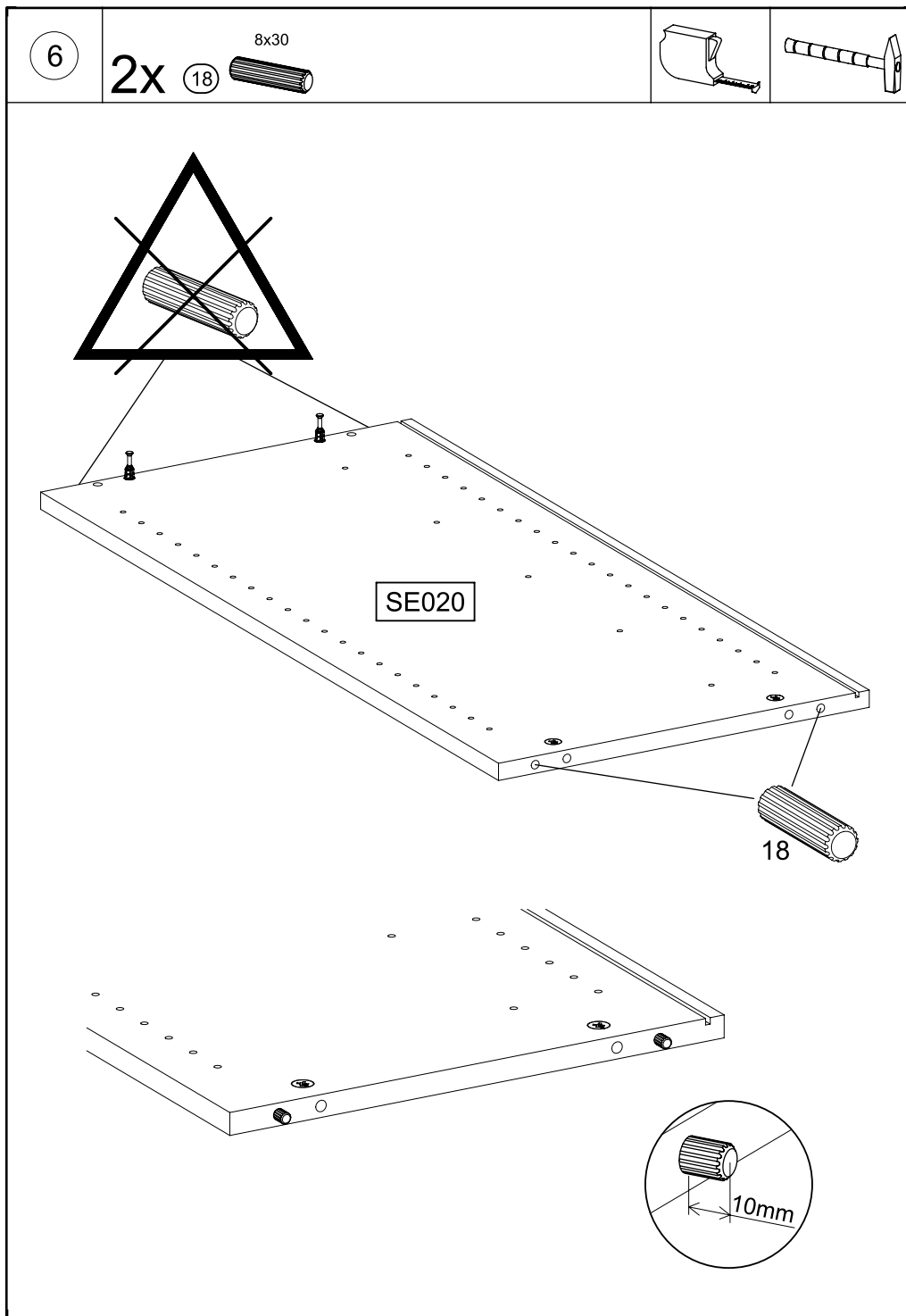
3

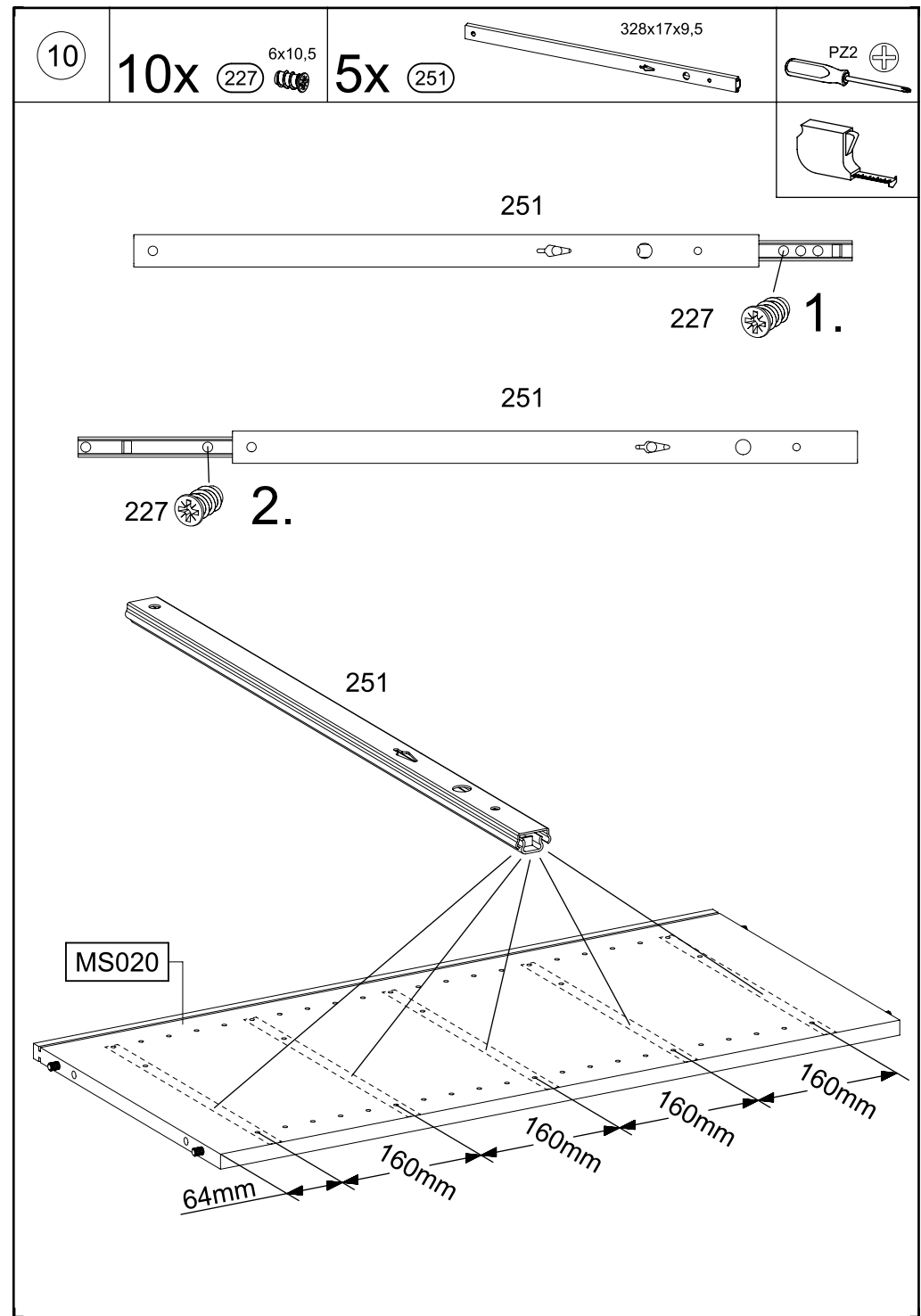
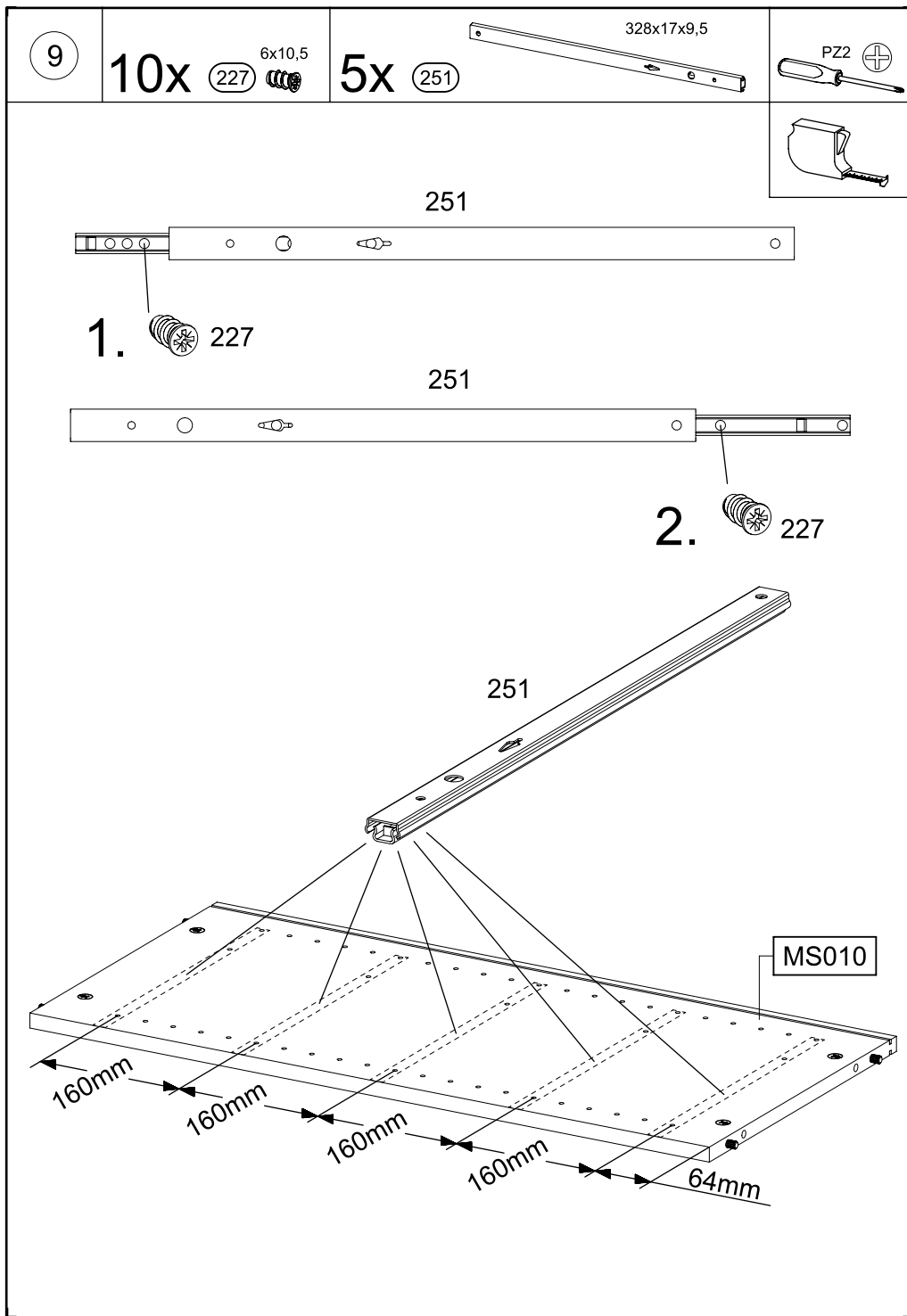
4x

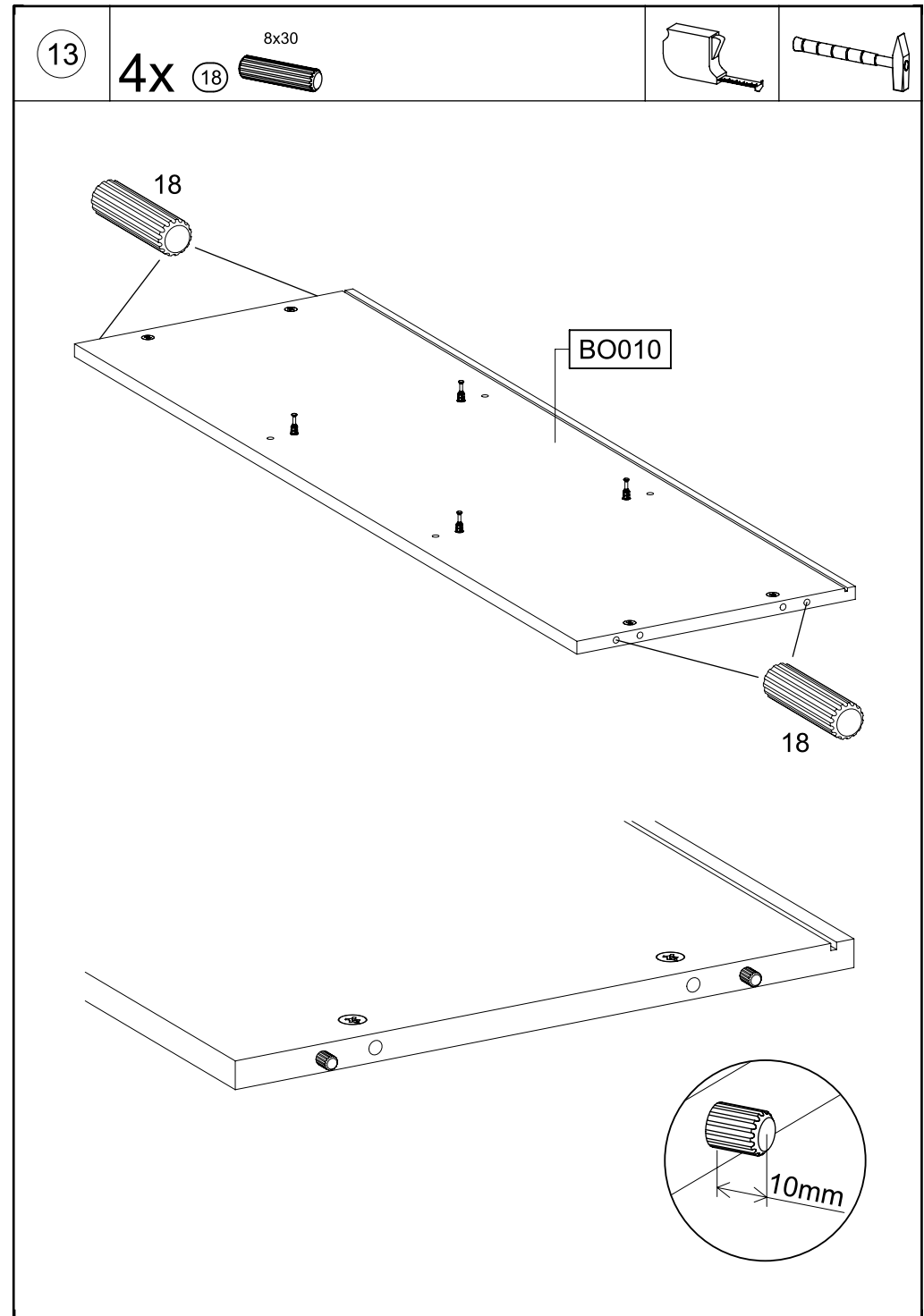
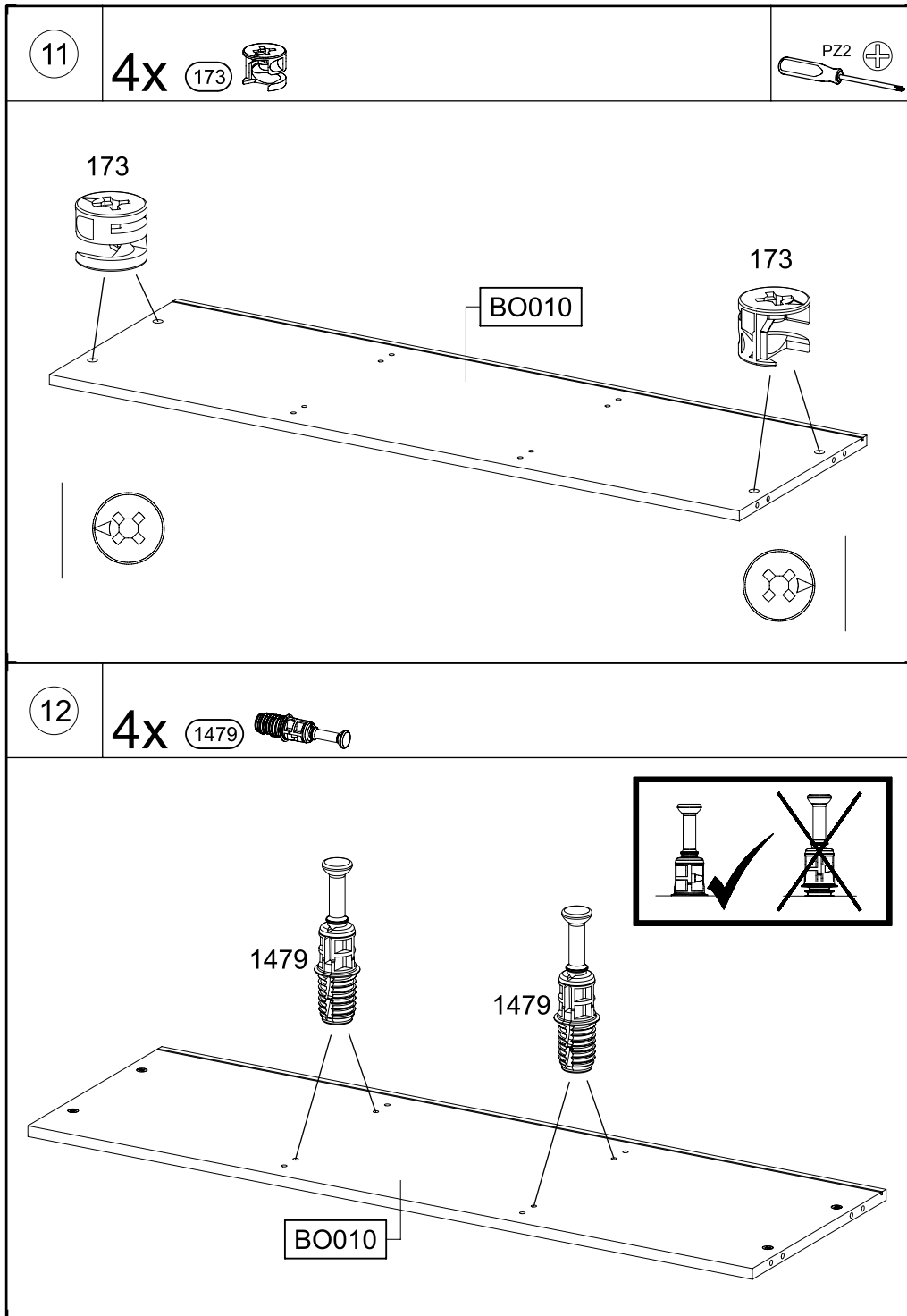
1479



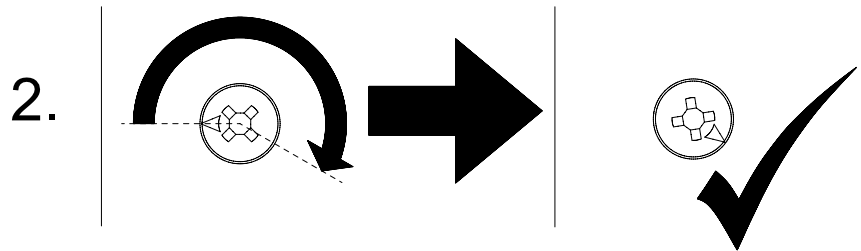
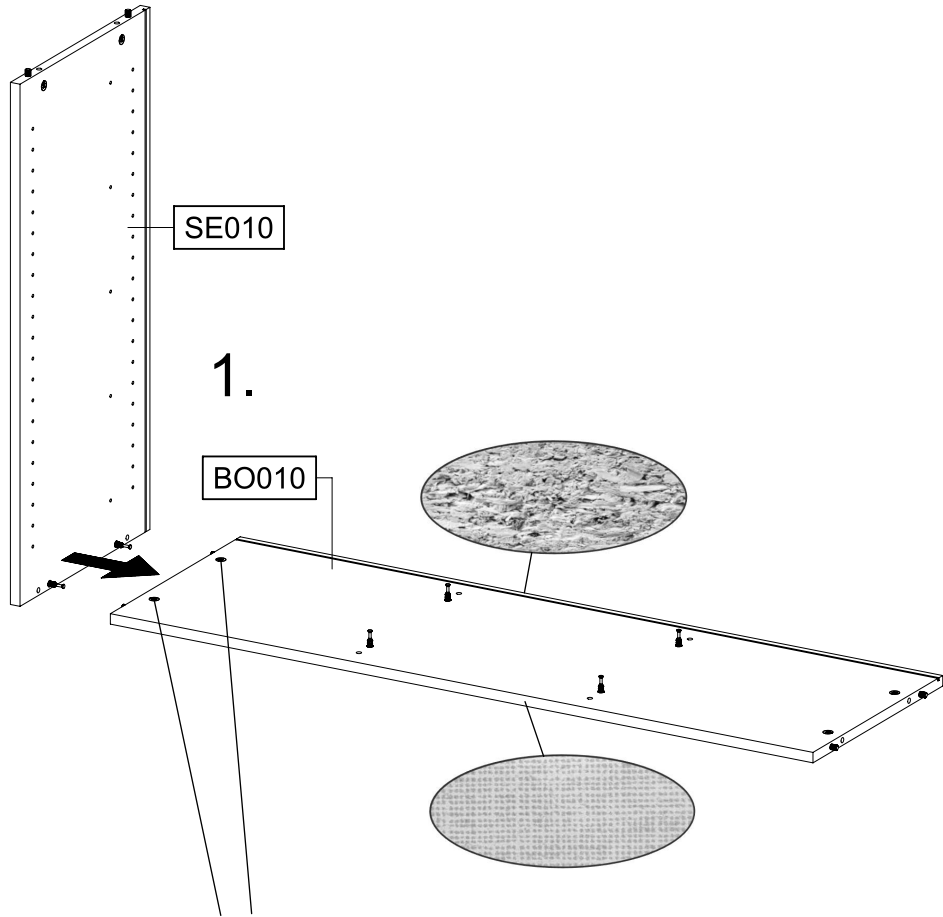
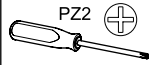




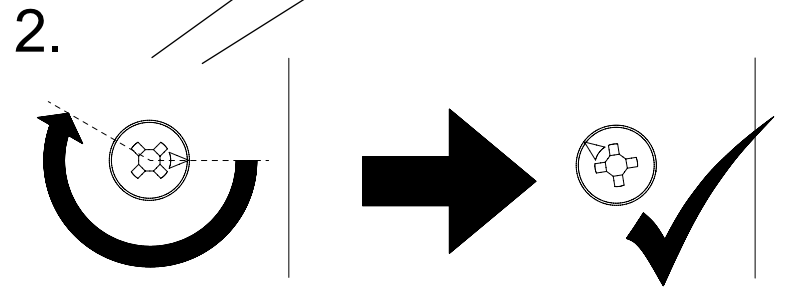
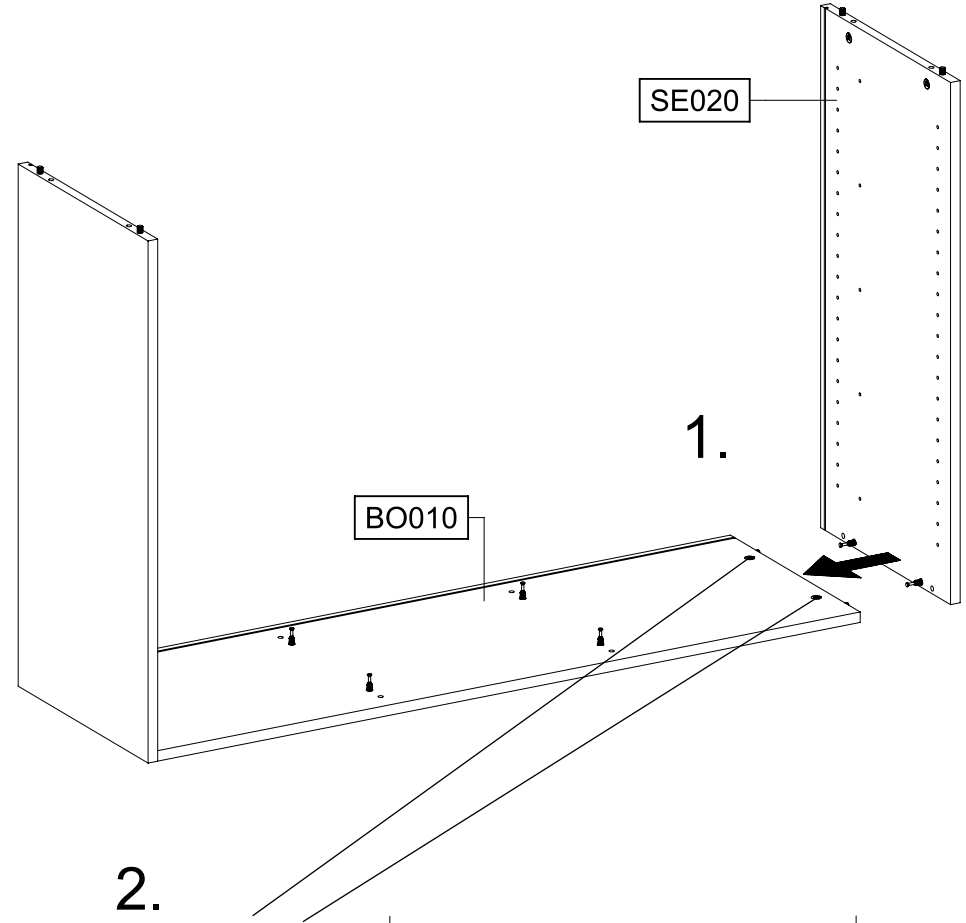
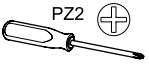




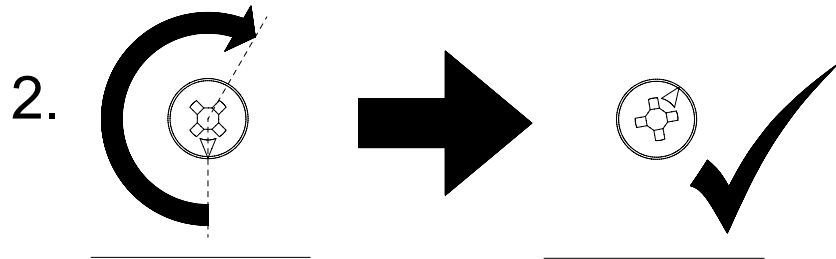
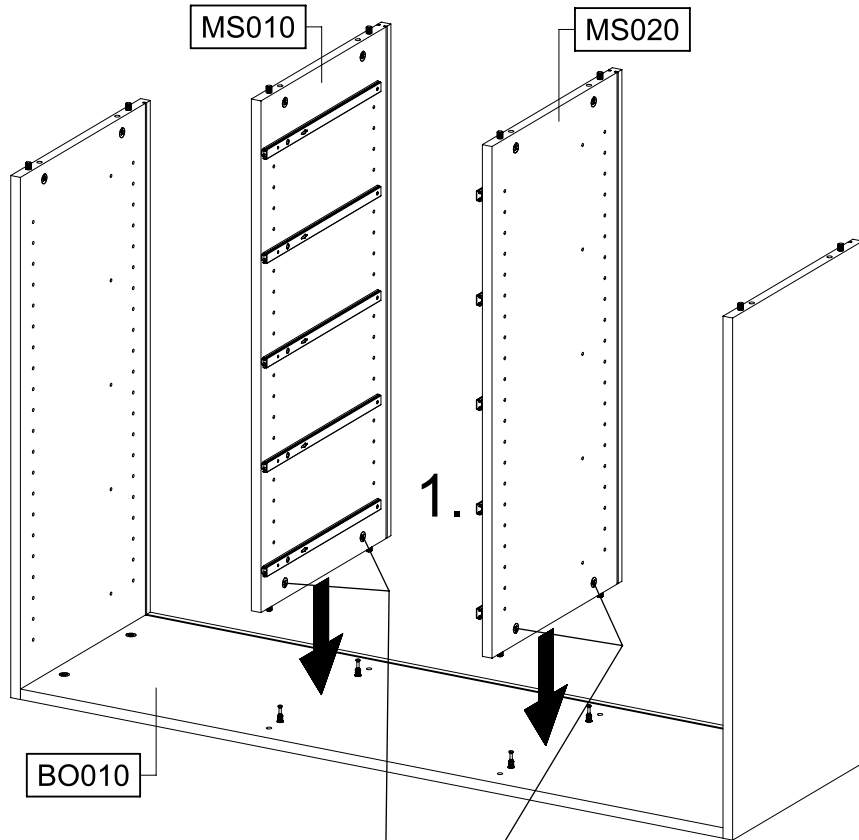
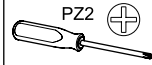
14



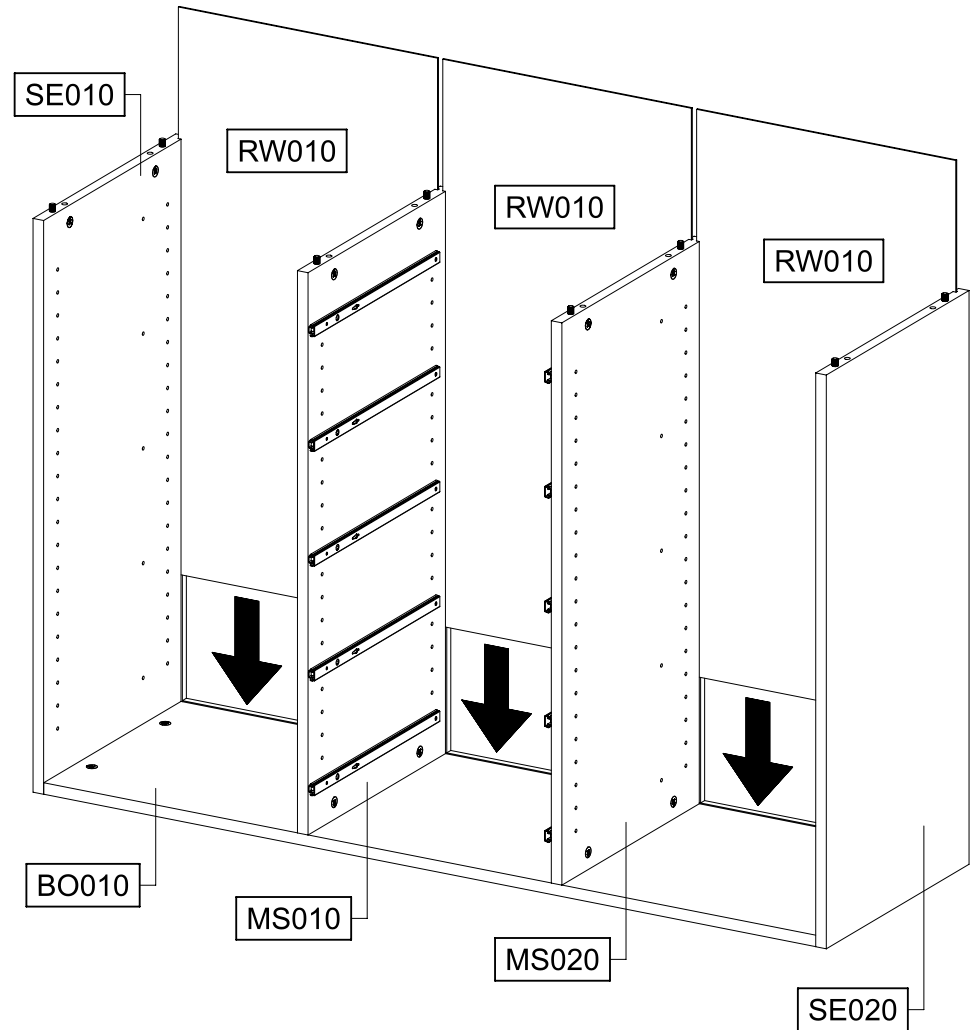
15



16



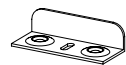
17



18

2x

ZP010 C



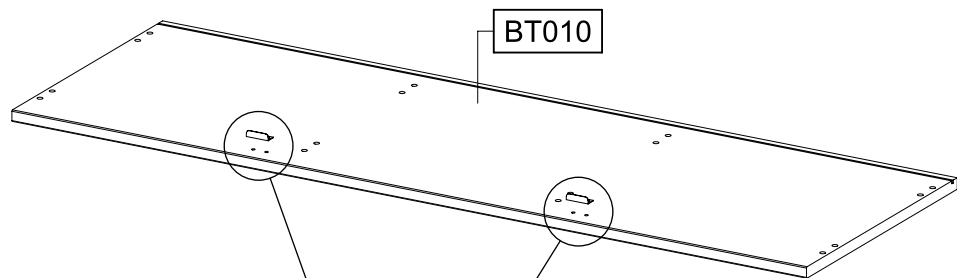
4x

208

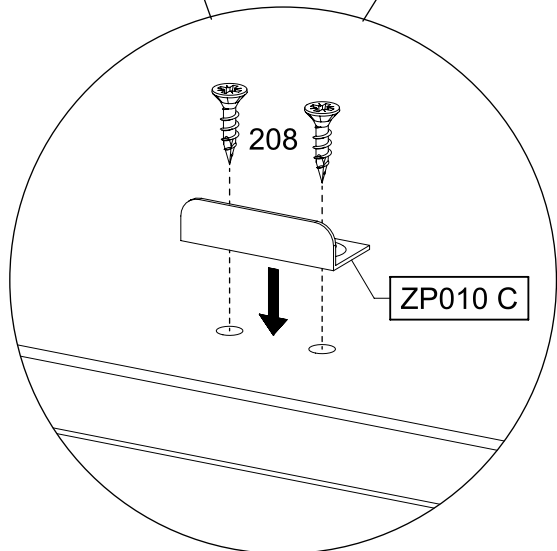
3,5x15



PZ2



BT010



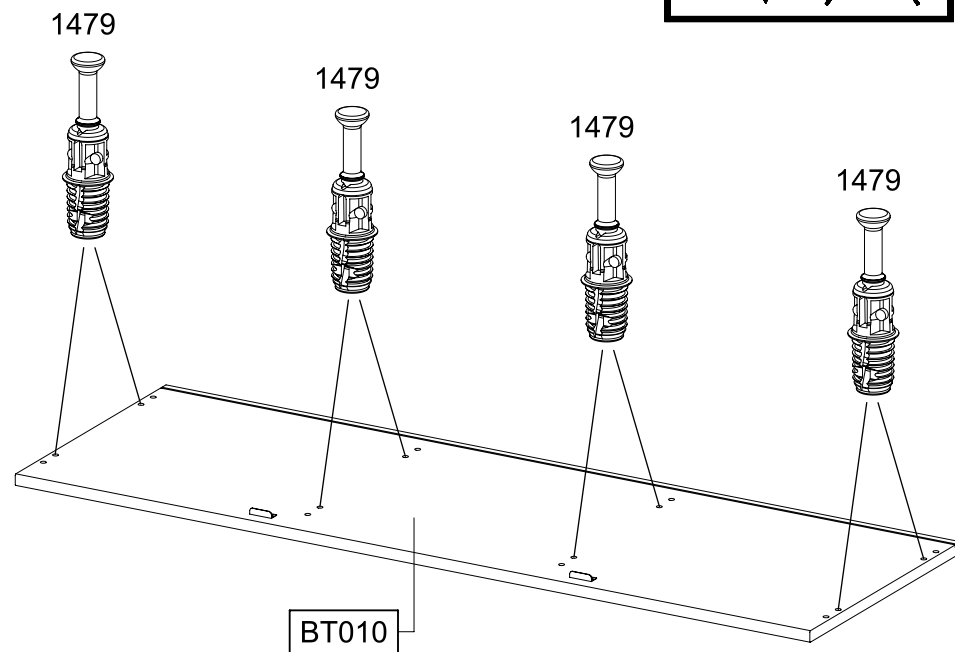
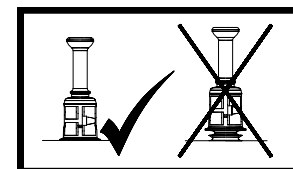
208

ZP010 C

19

8x

1479



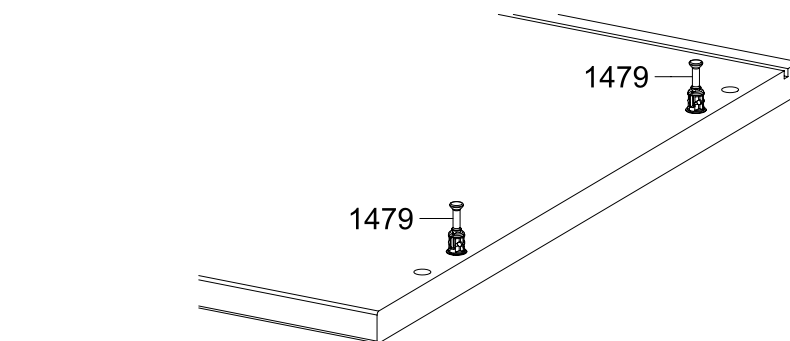
1479

1479

1479

1479

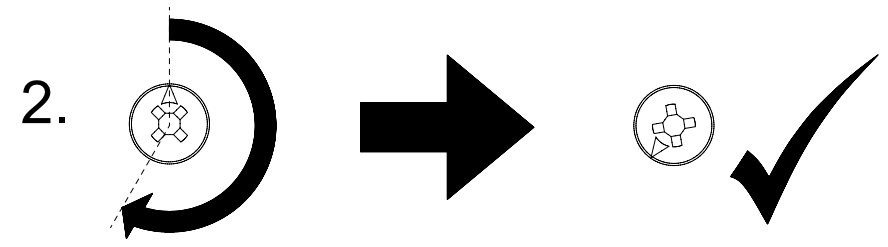
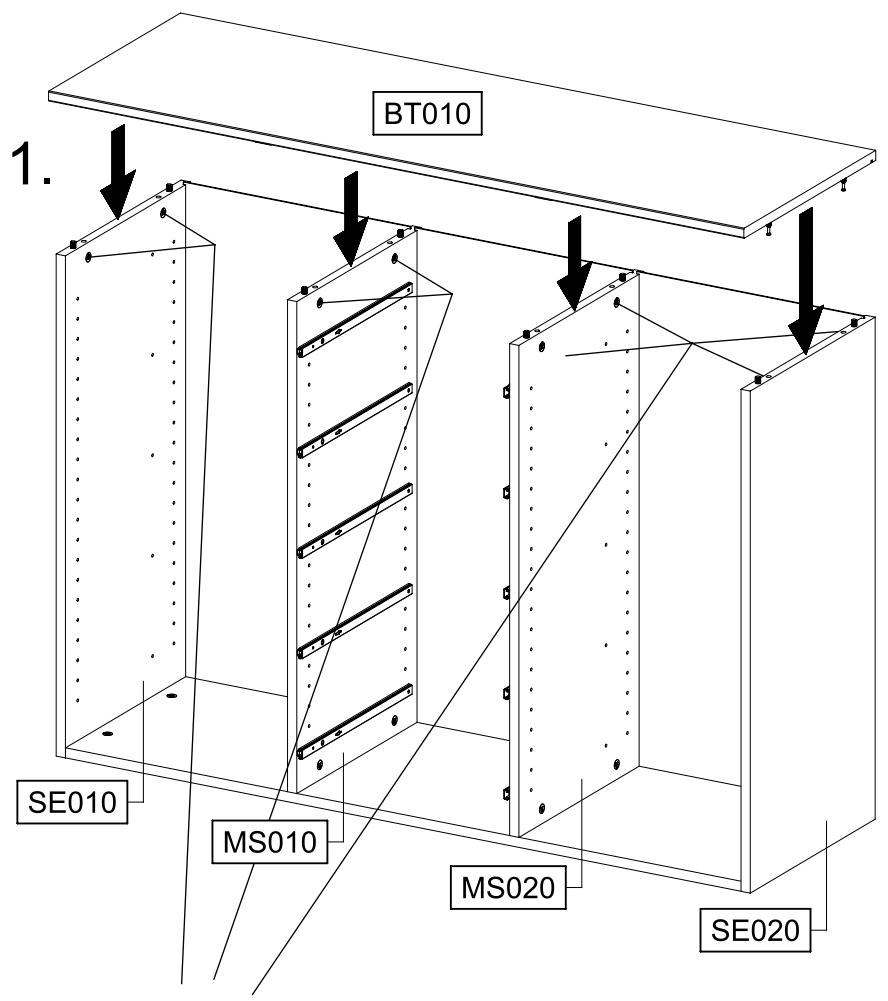
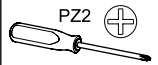
BT010



1479

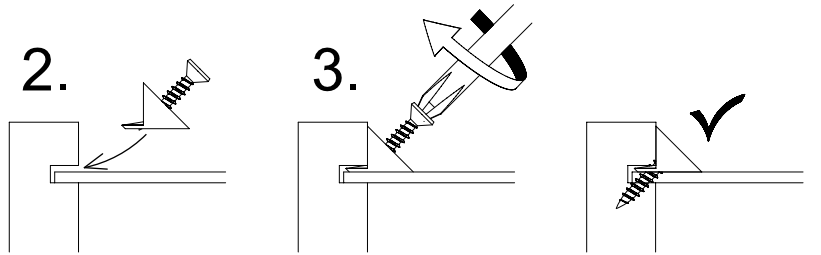
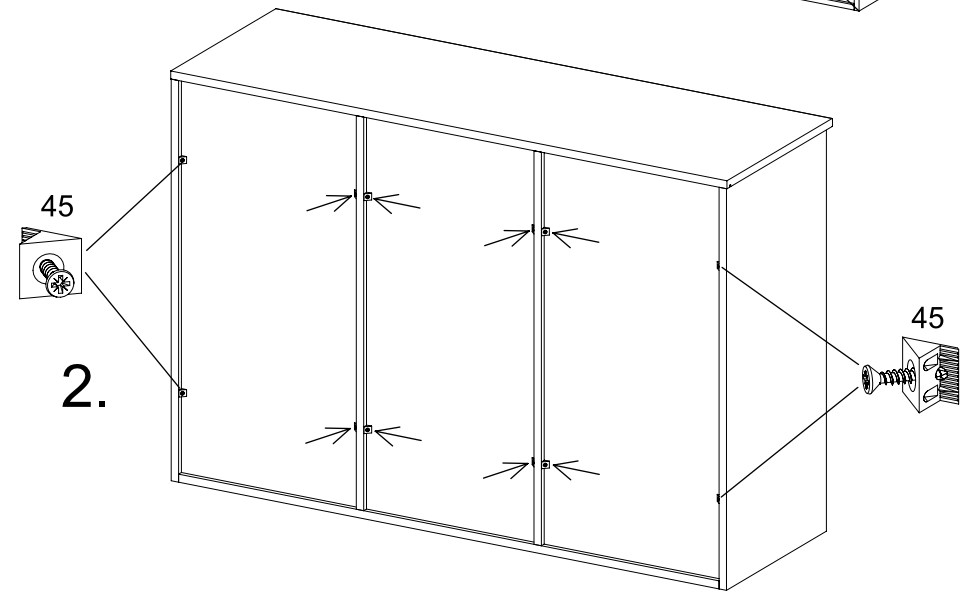
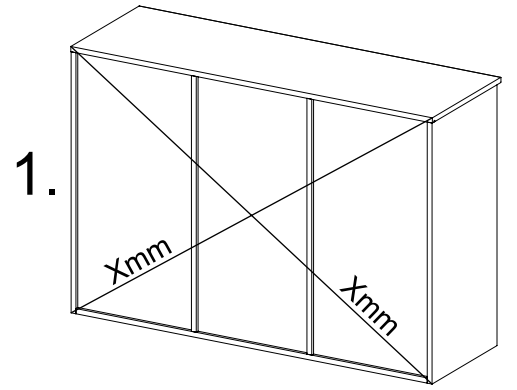
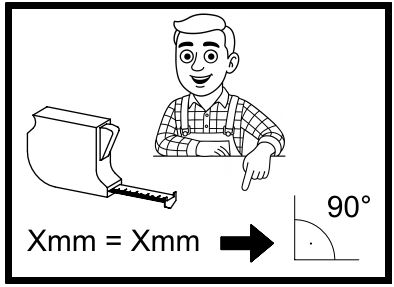
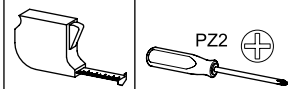
1479

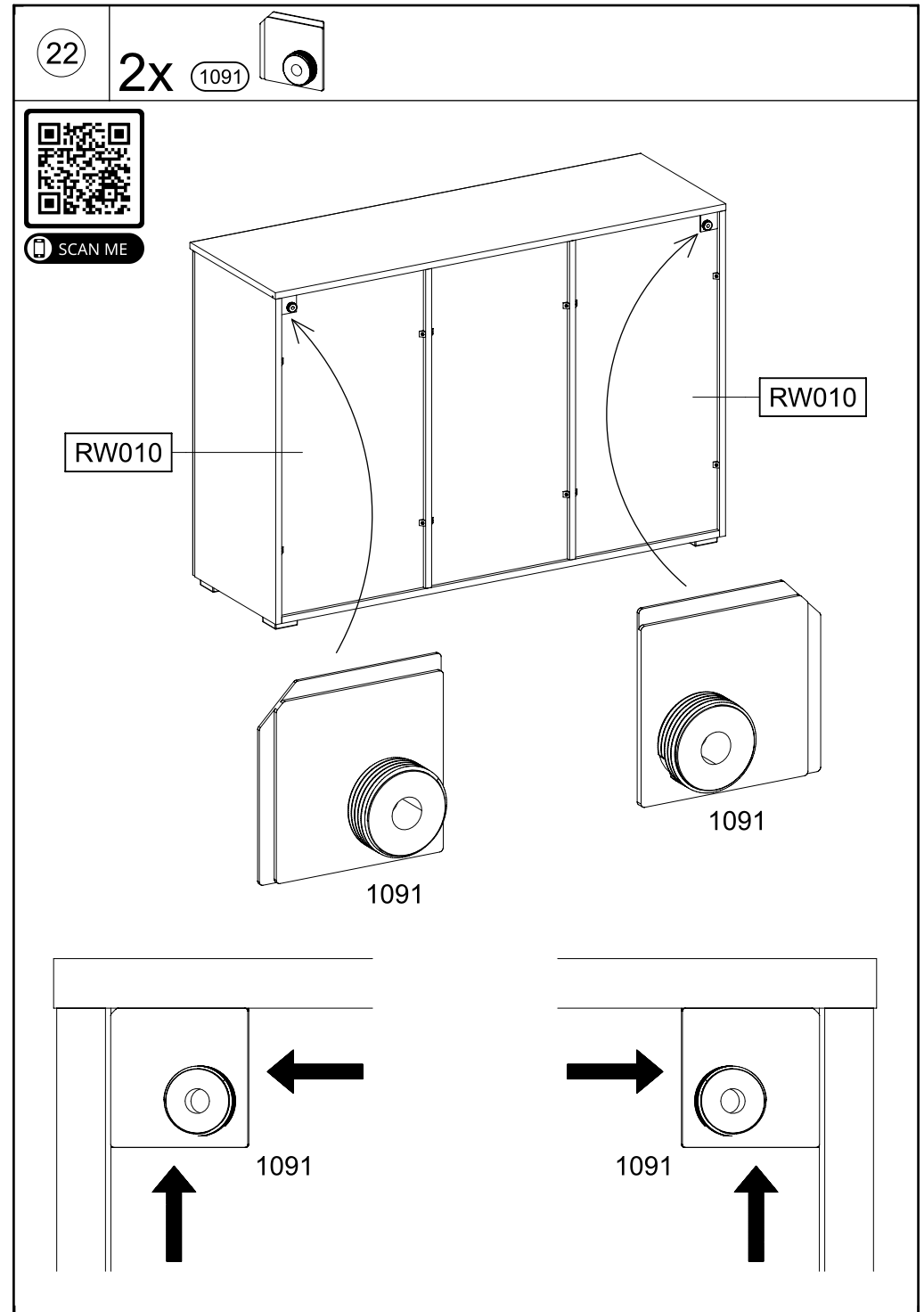
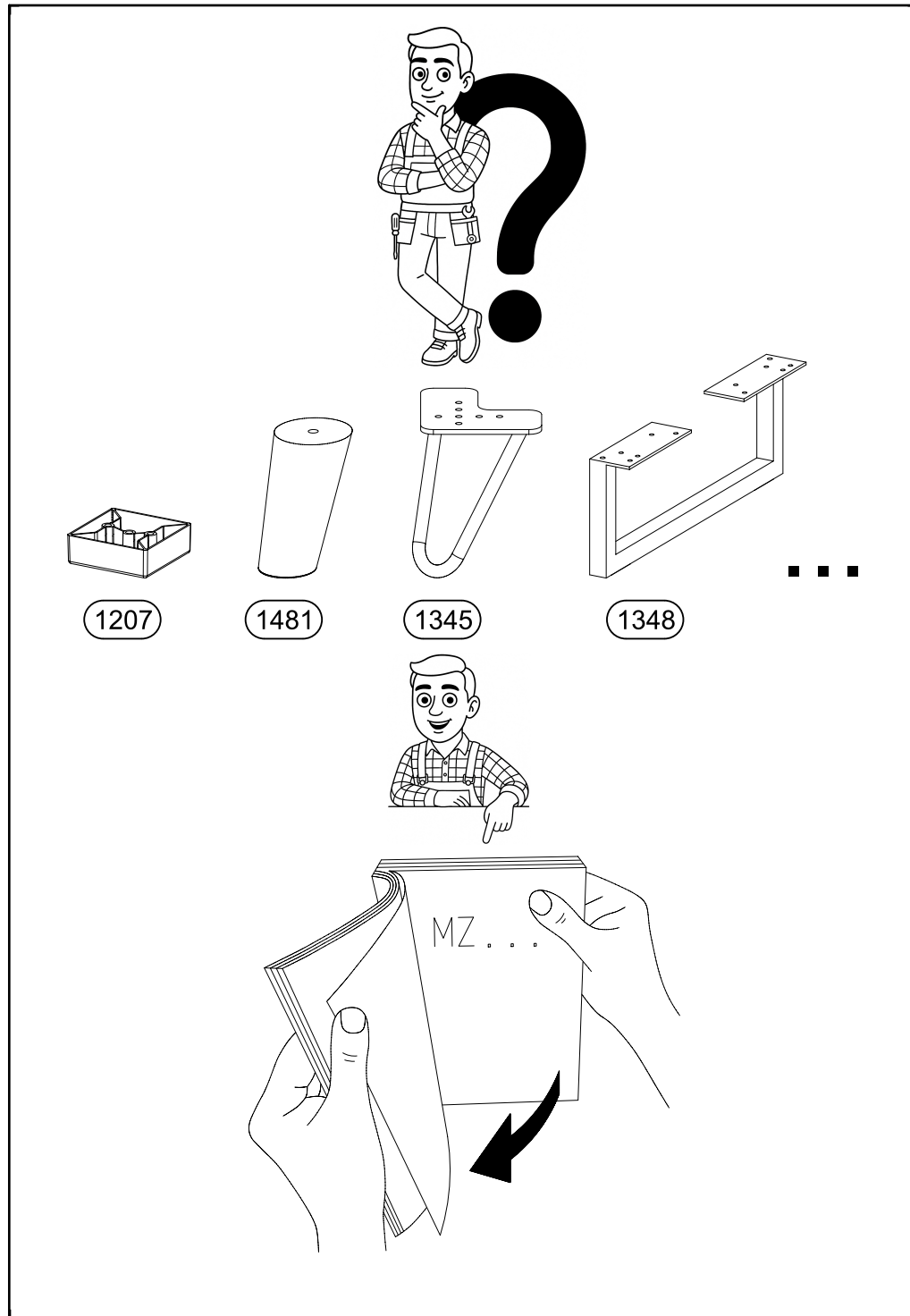
20



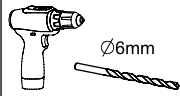
21

12x 45

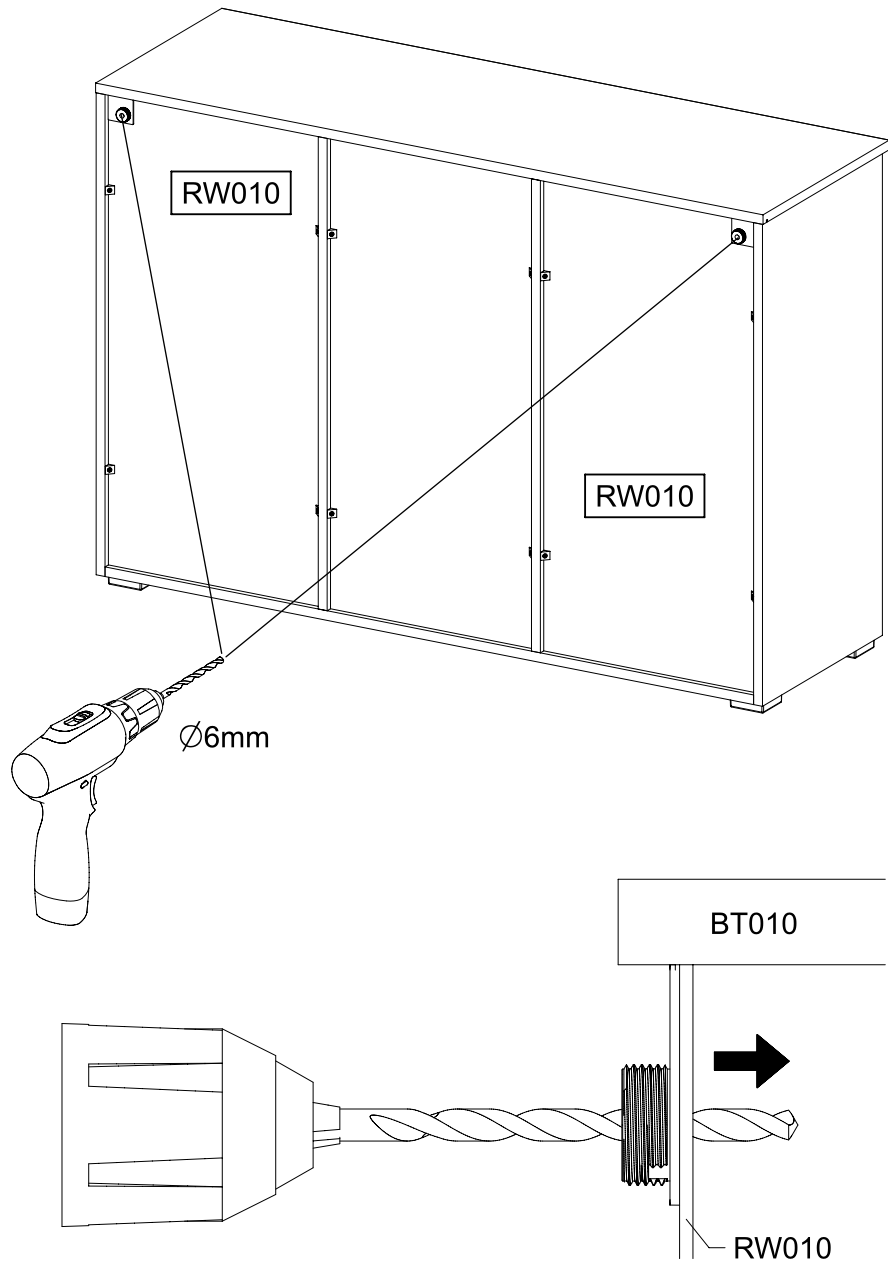




23



Ø6mm



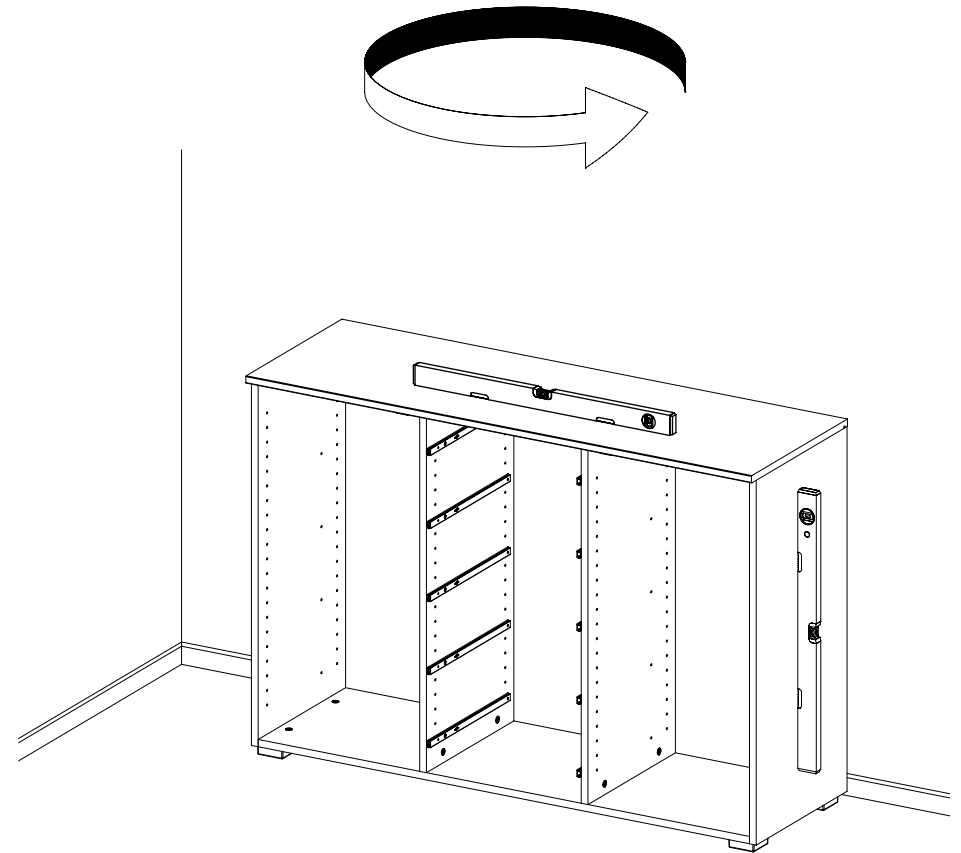
Ø6mm

BT010



RW010

24



25

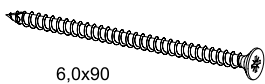
2x

1093

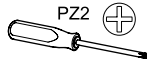


2x

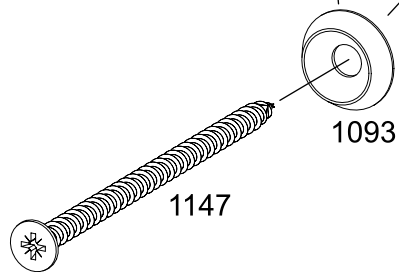
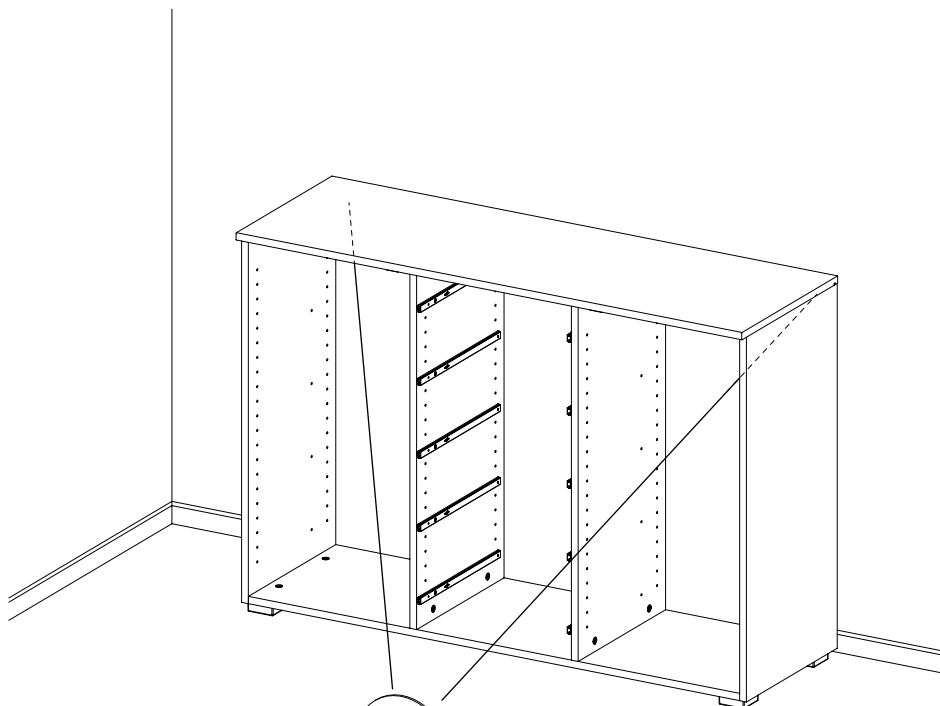
1147



6,0x90

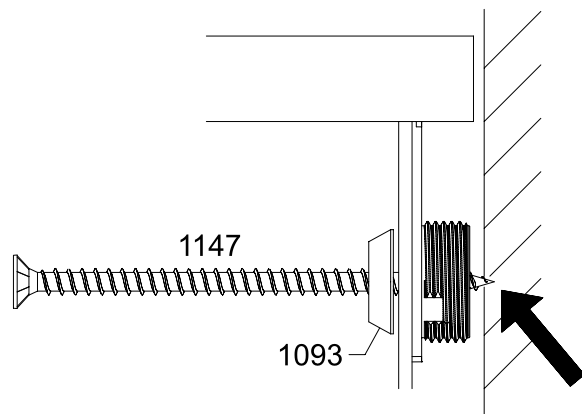


PZ2



1093

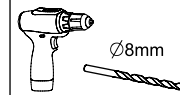
1147



1147

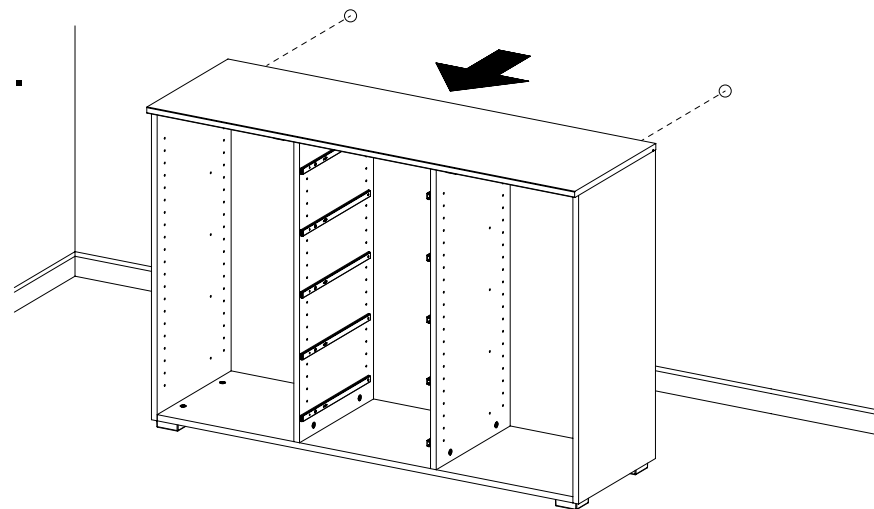
1093

26

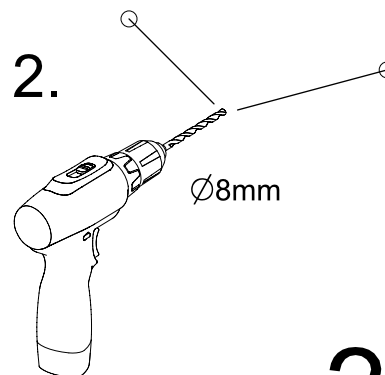


Ø8mm

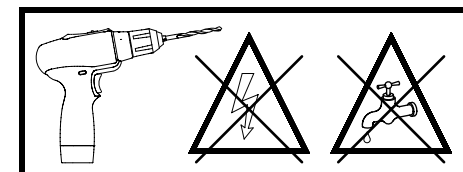
1.



2.

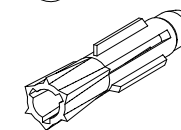
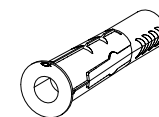


Ø8mm

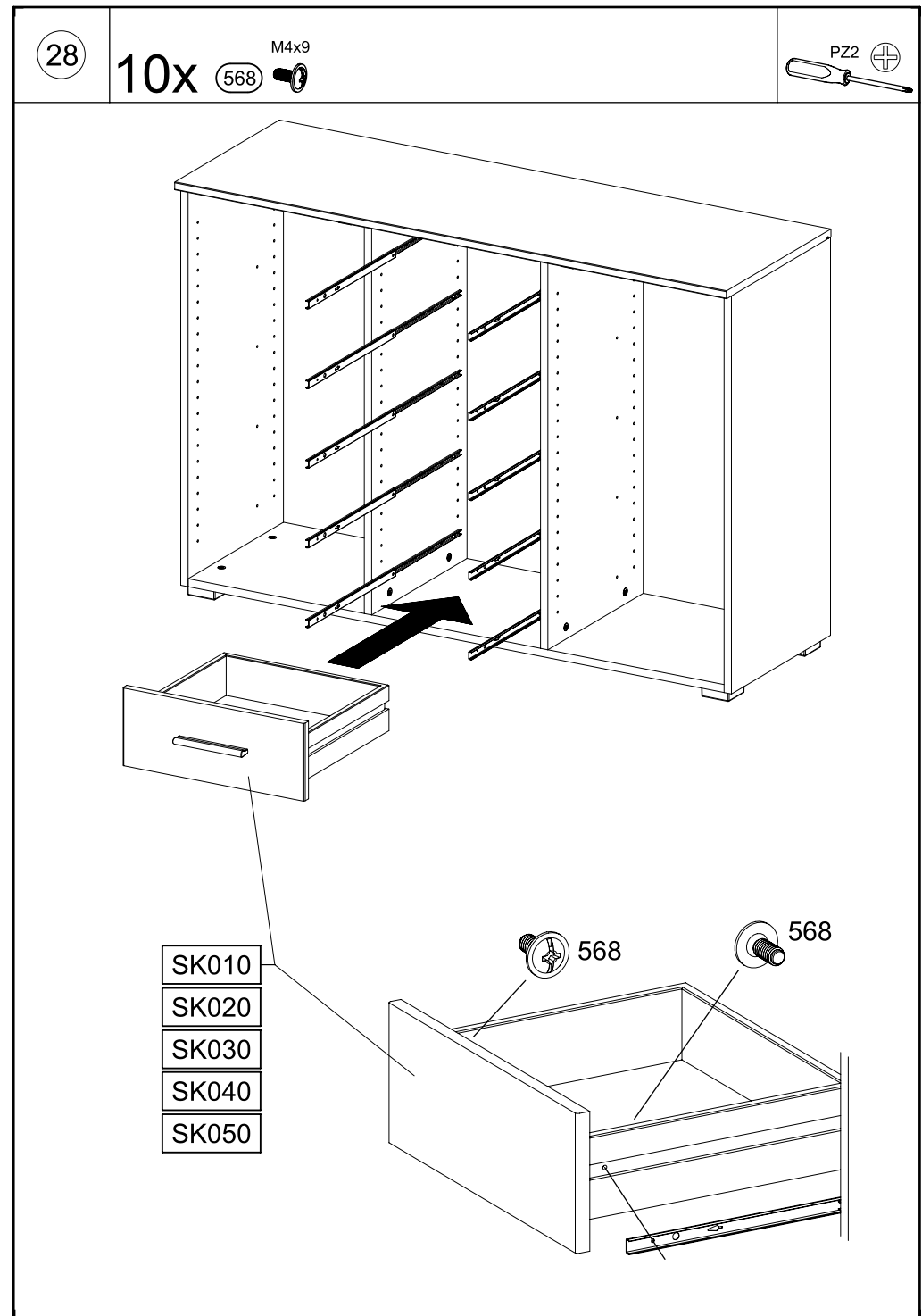
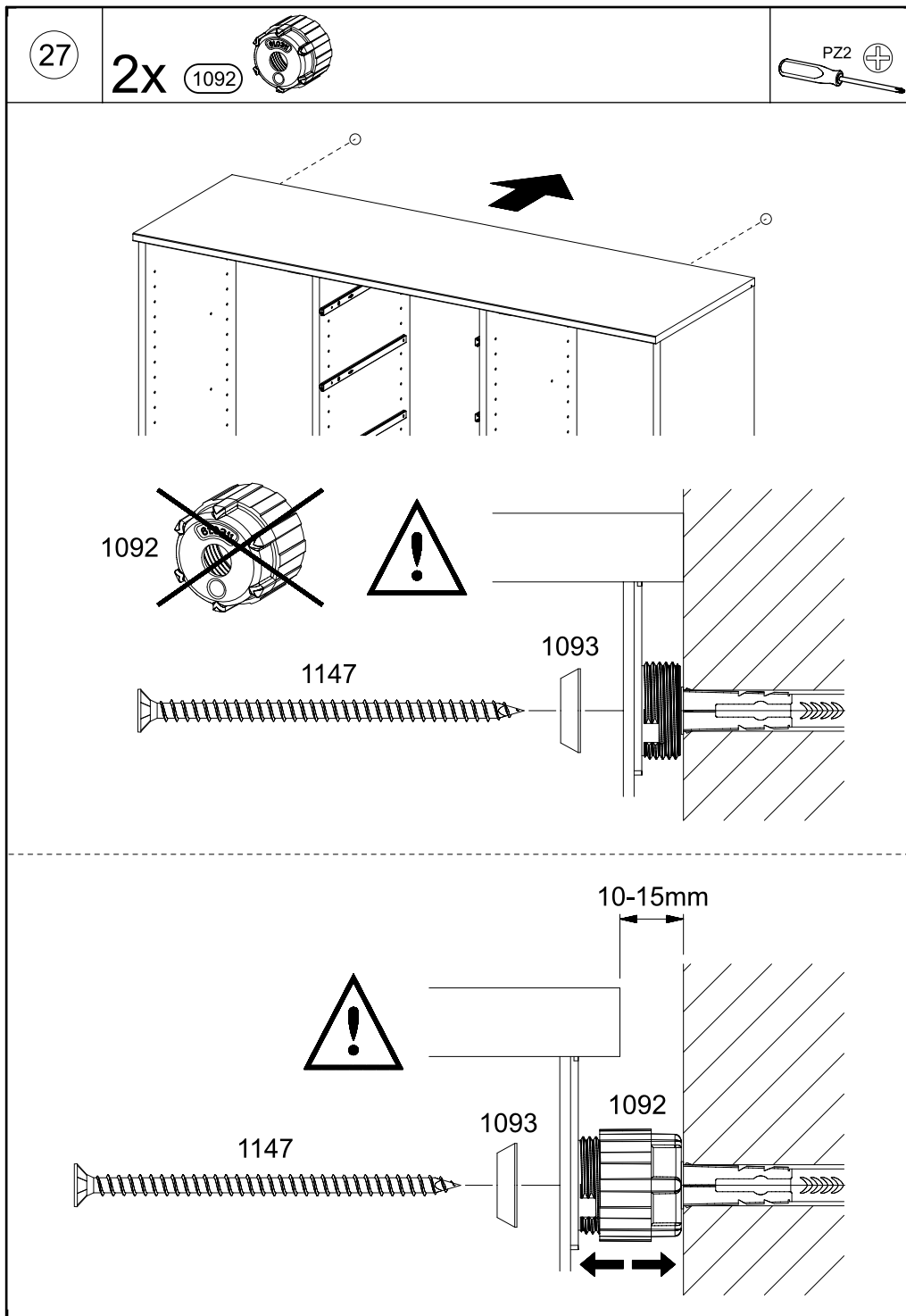


?

3.

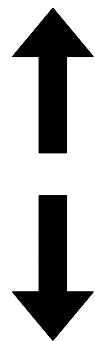


Ø8mm

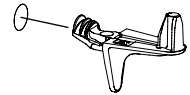


29

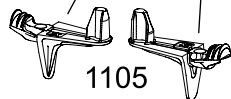
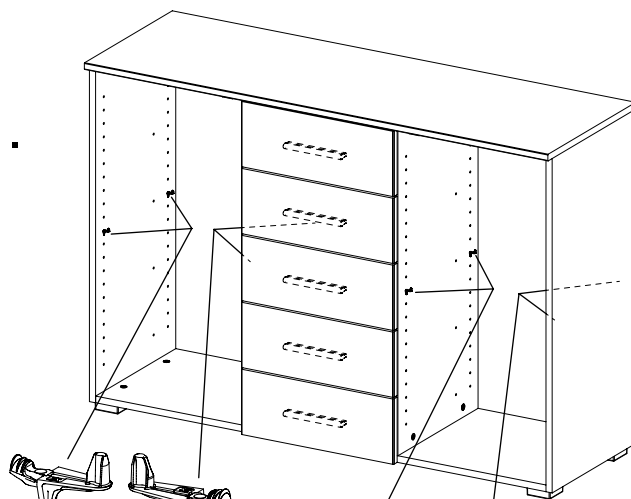
8x 1105



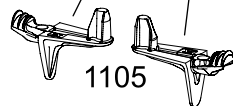
1.



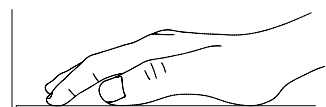
1105



1105



1105

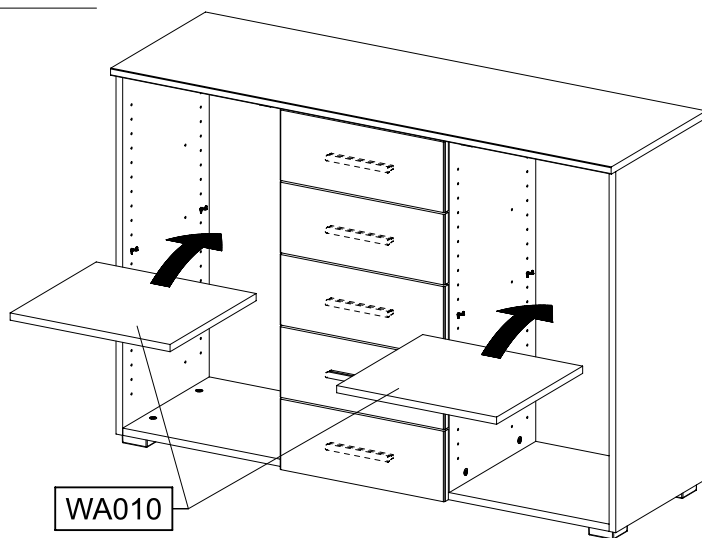


WA010



1105

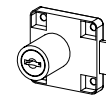
2.



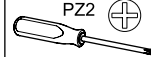
WA010

30

2x ZP010 A



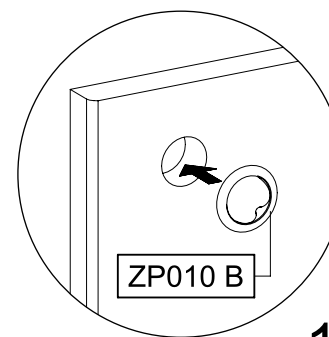
2x ZP010 B



PZ2

8x 239

3,5x20

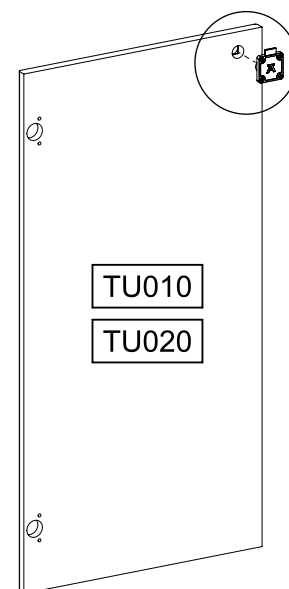


1.

TU010

TU020

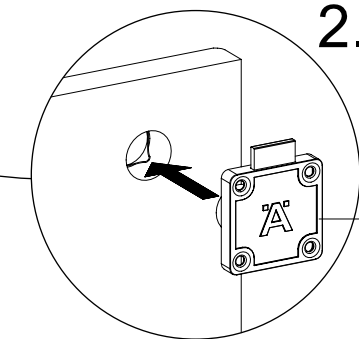
2.



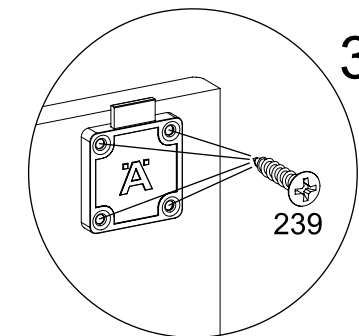
TU010

TU020

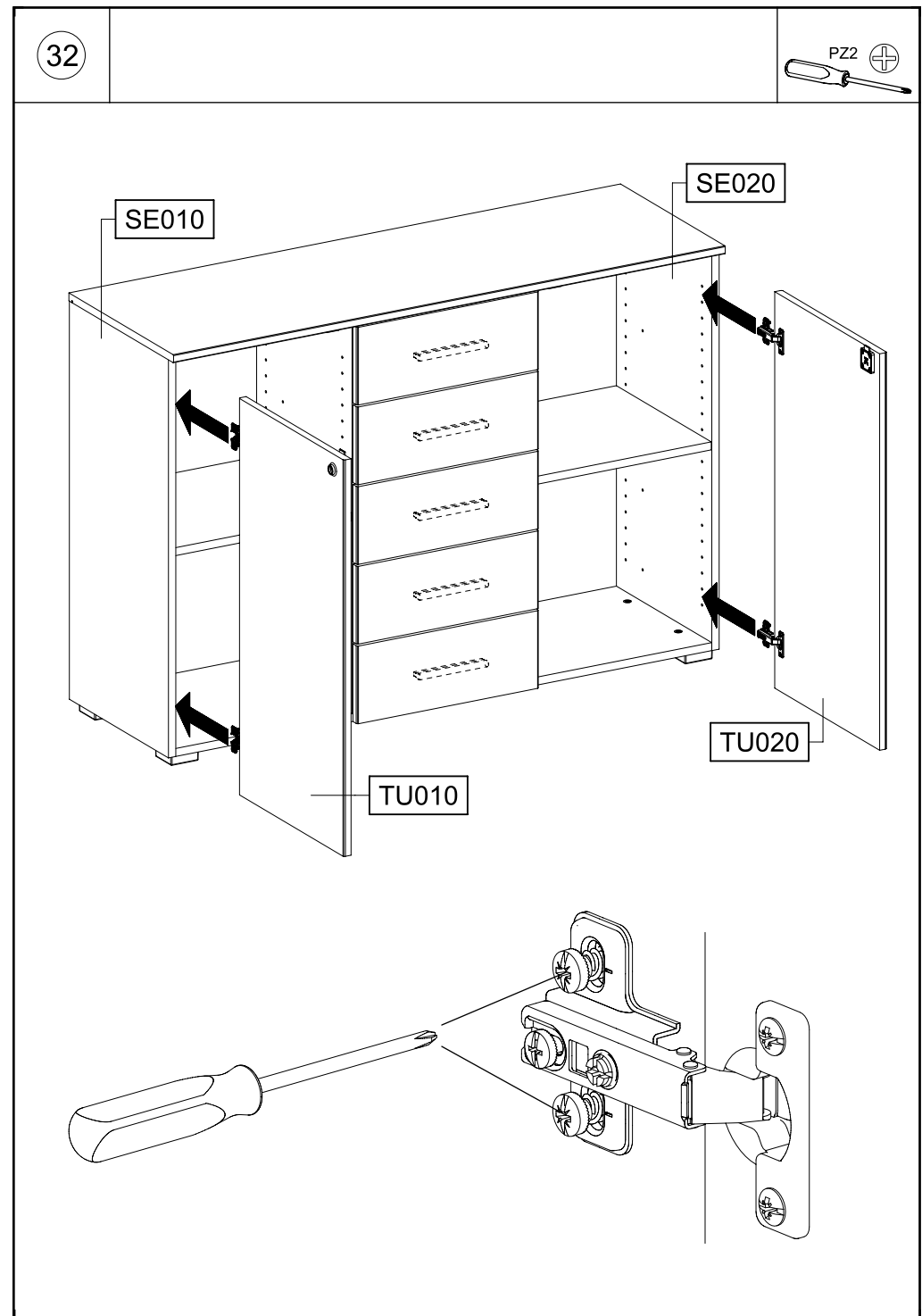
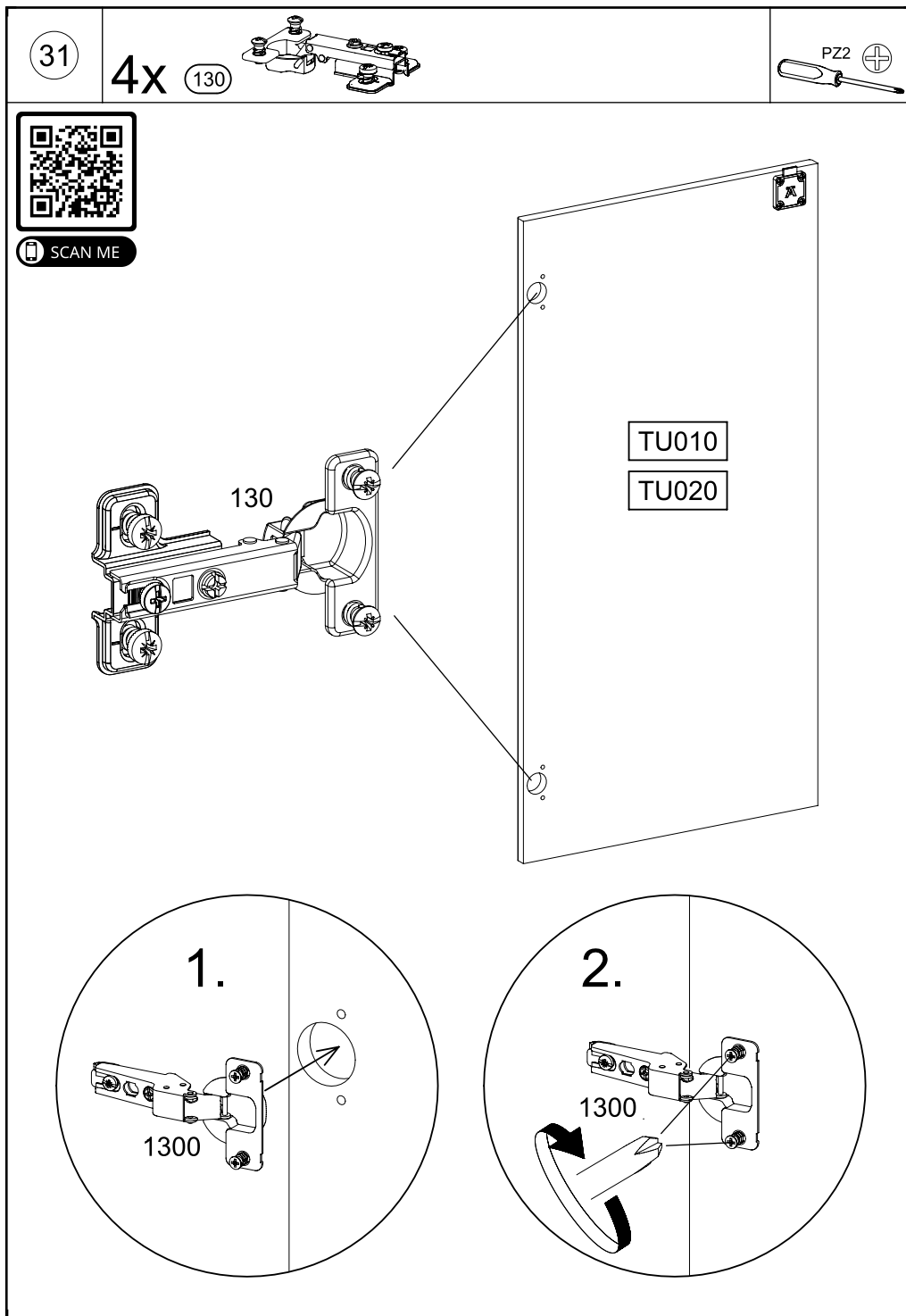
ZP010 A



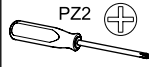
3.



239



33



SCAN ME

