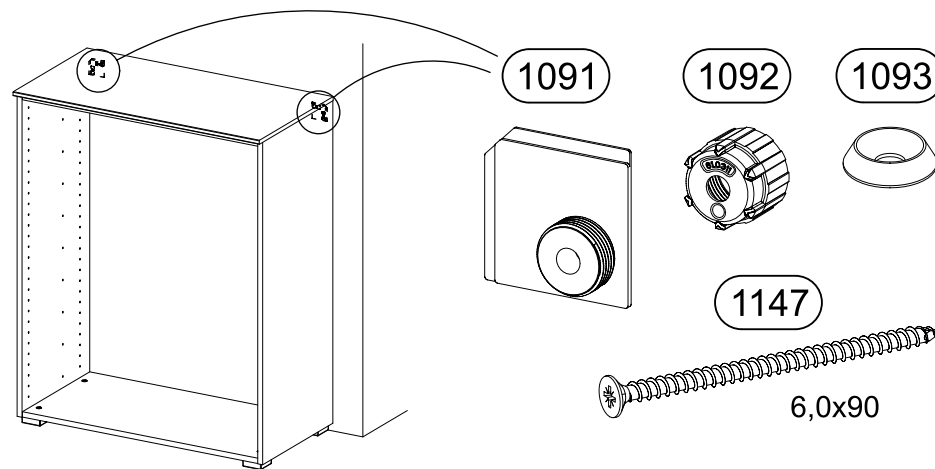
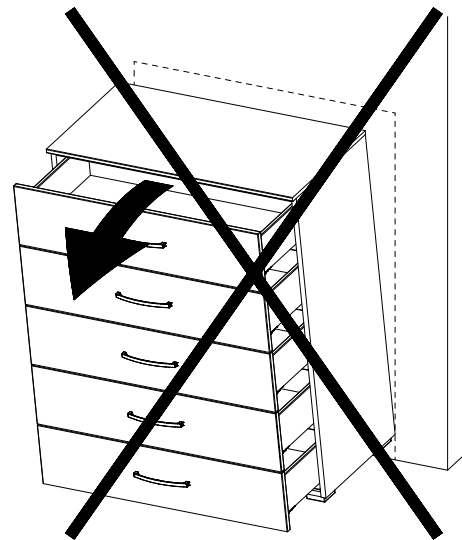
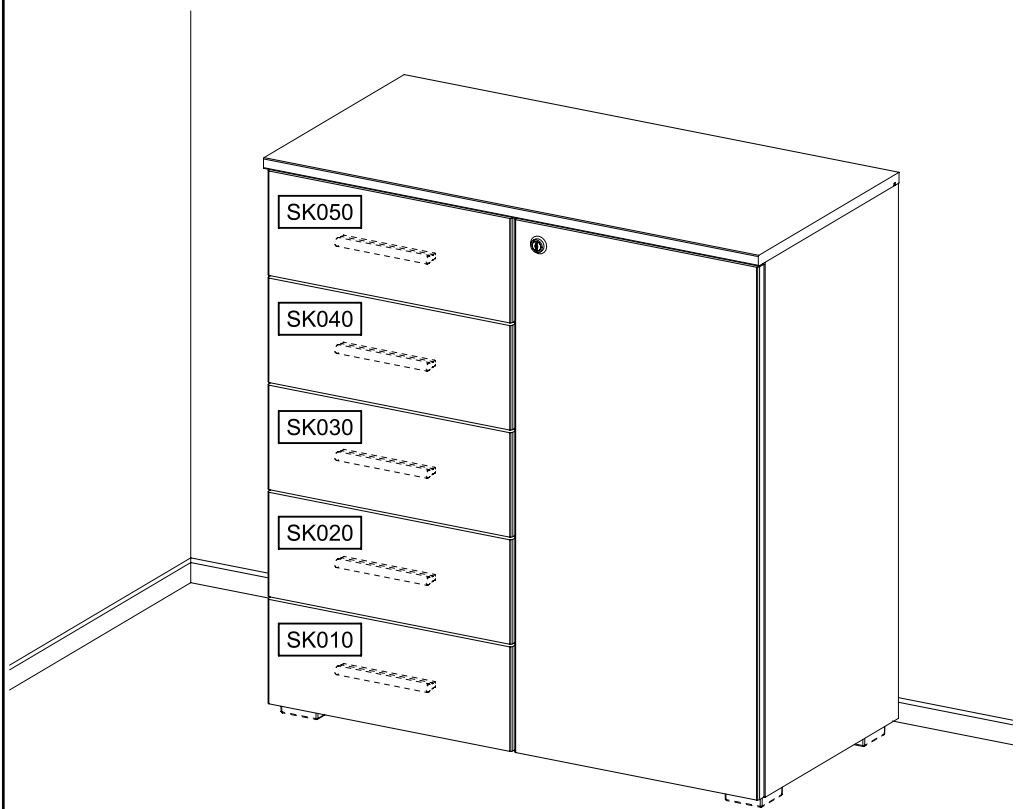
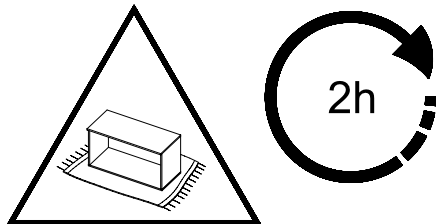
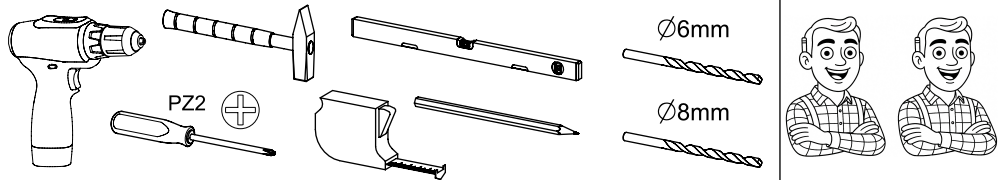


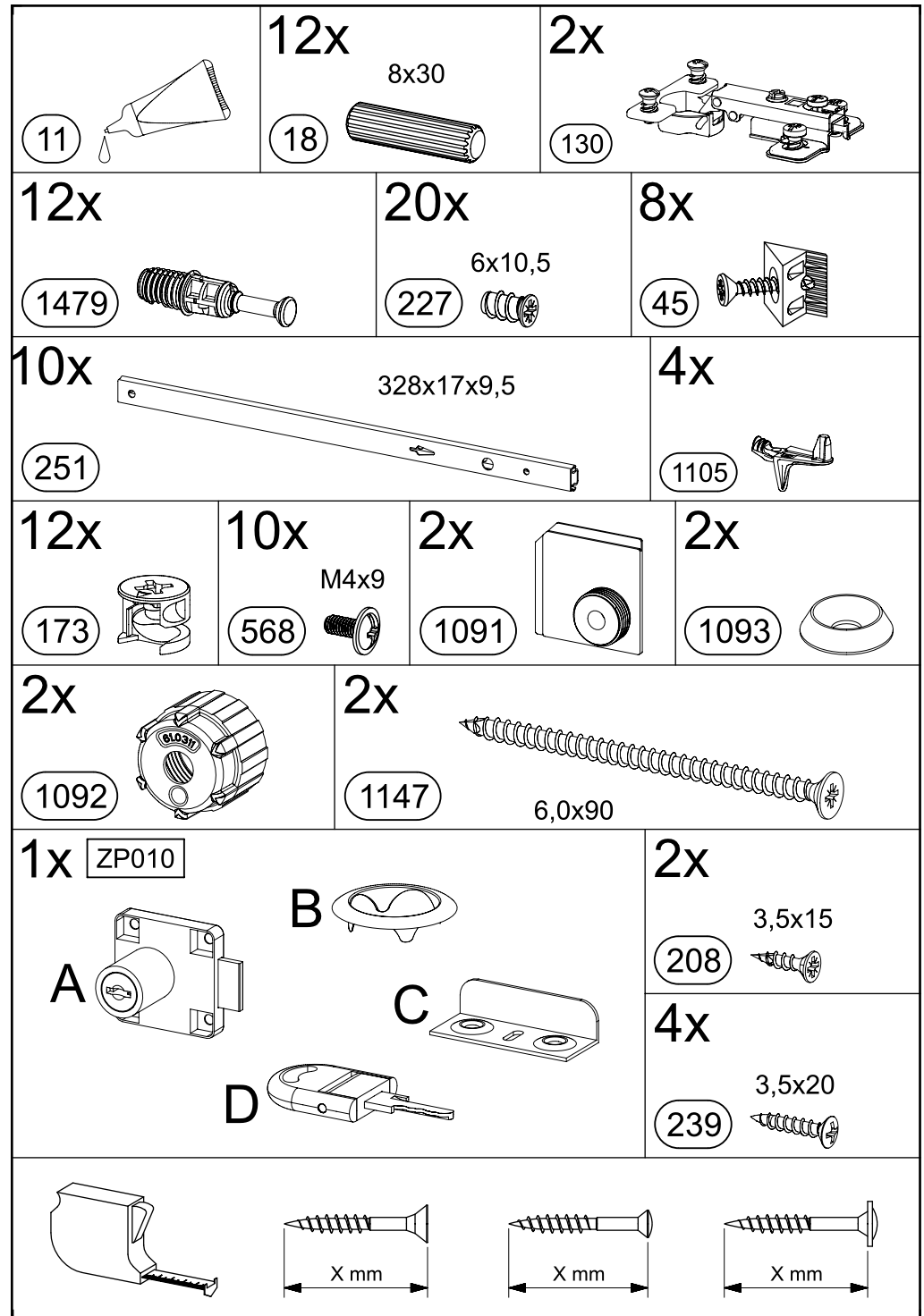
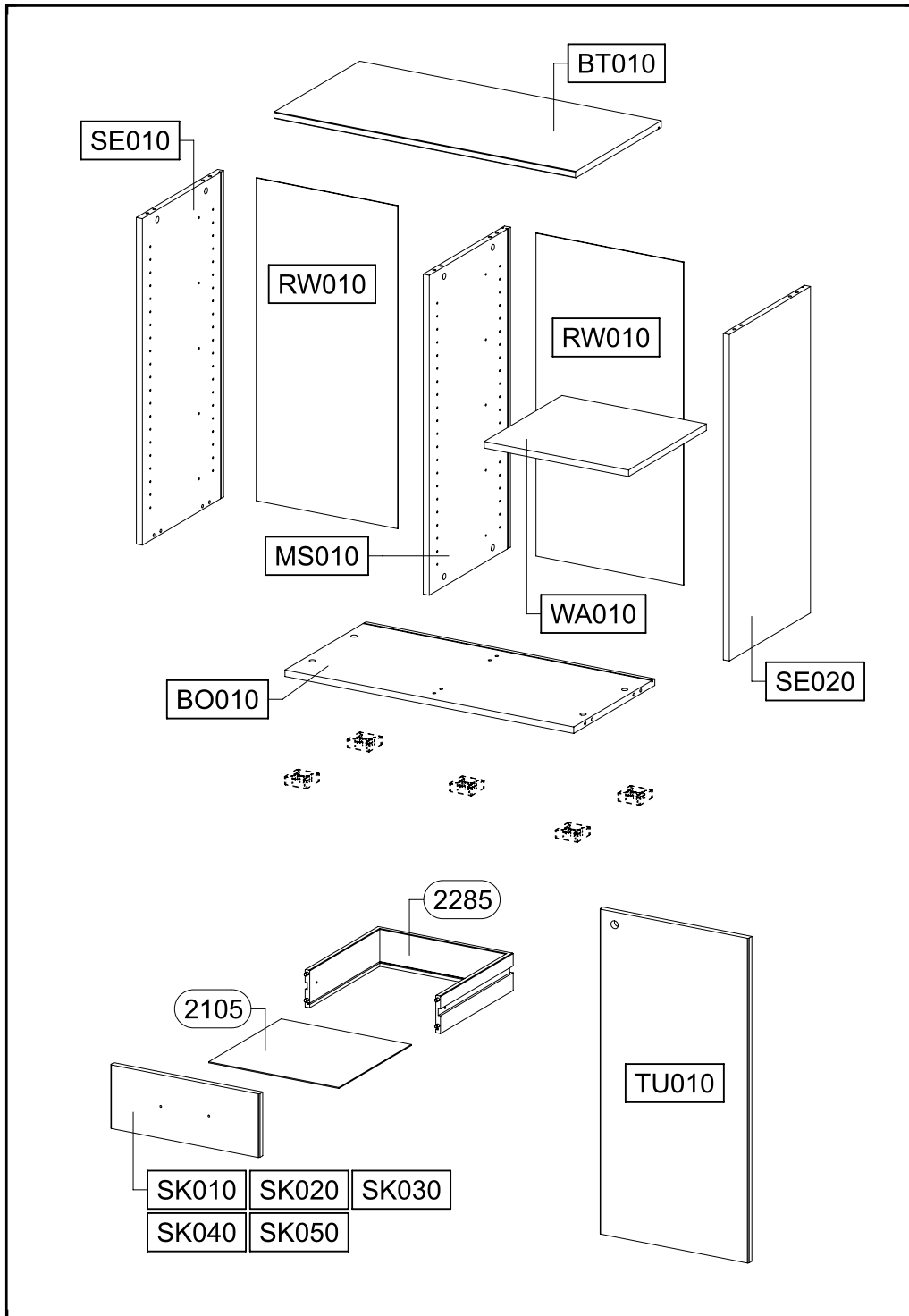
M3145_02

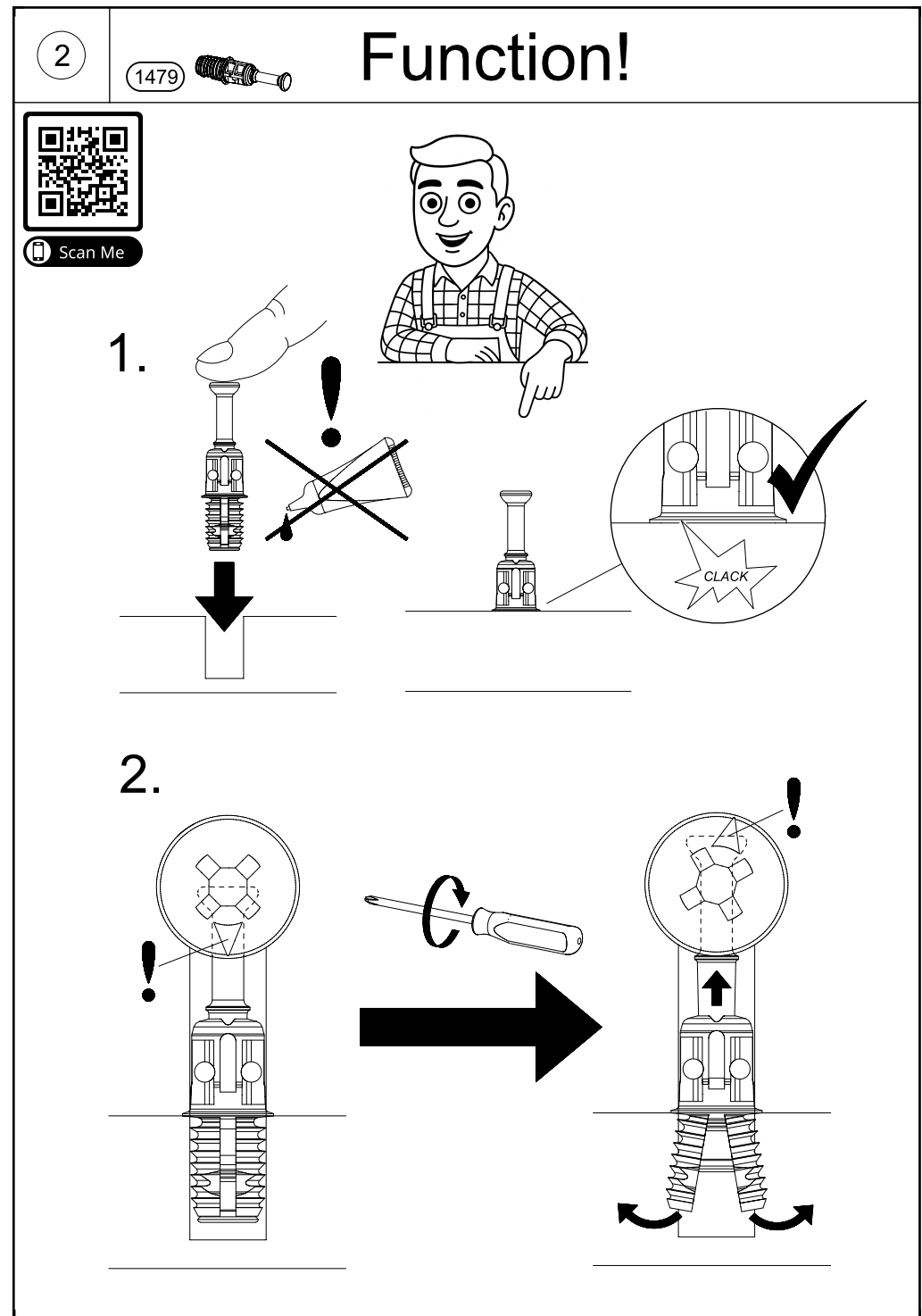
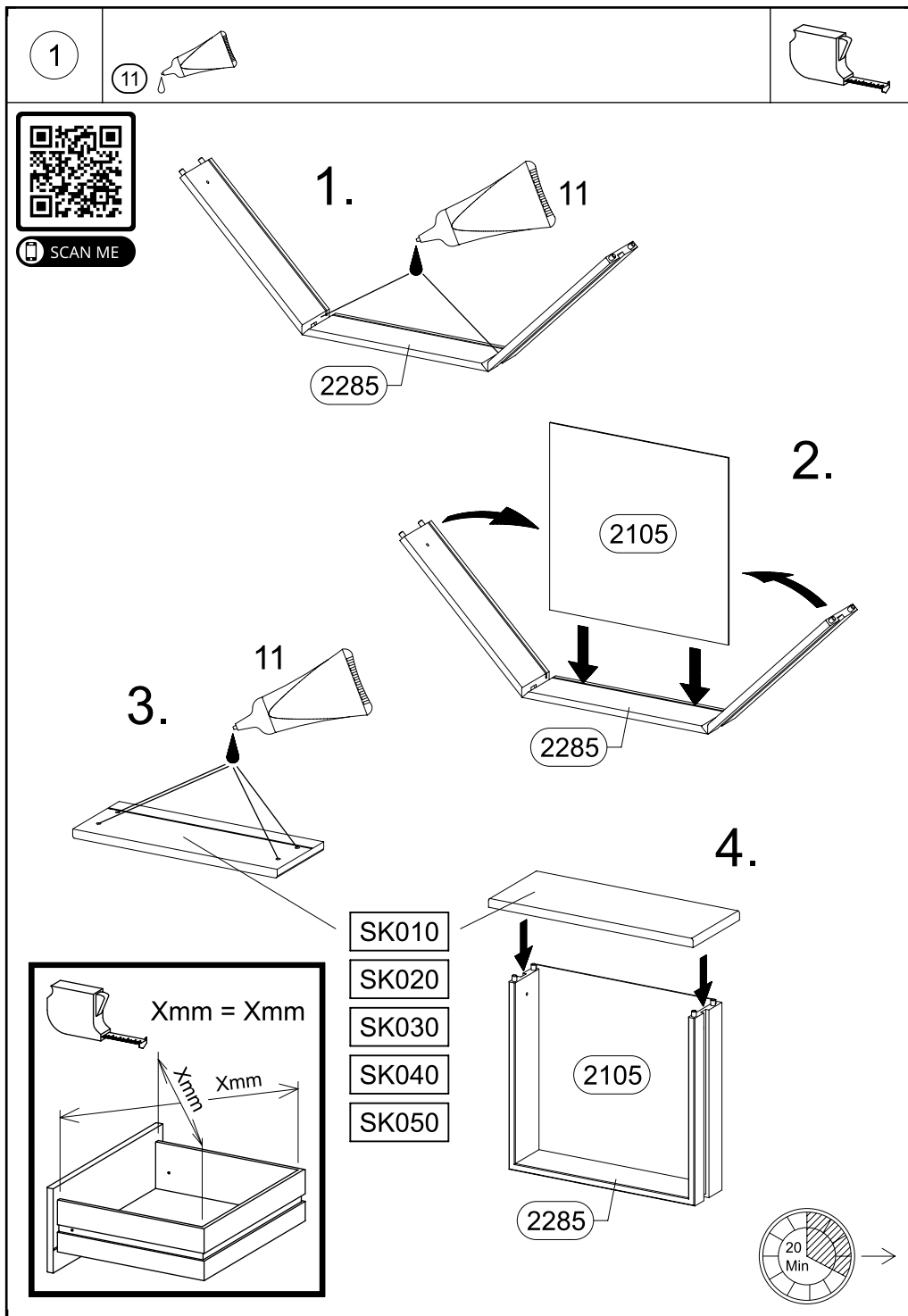


VIDEO

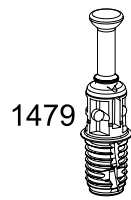
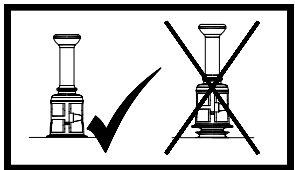



SCAN ME

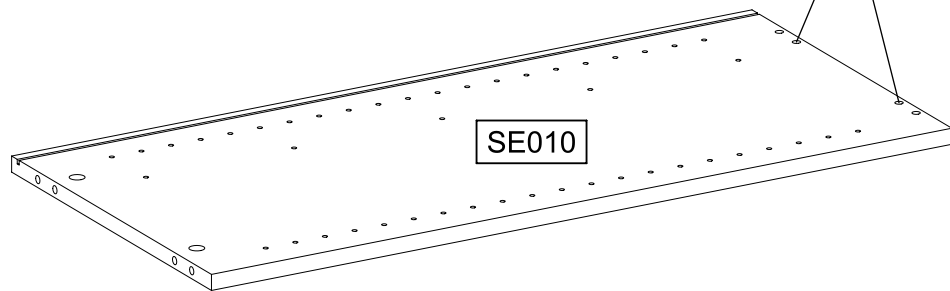




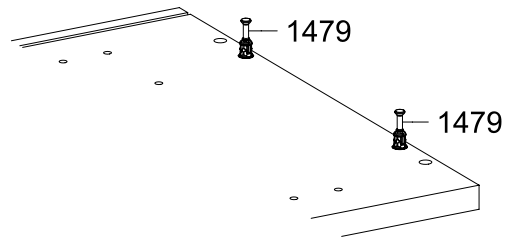
3

4x 1479 

1479

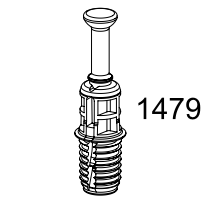


SE010

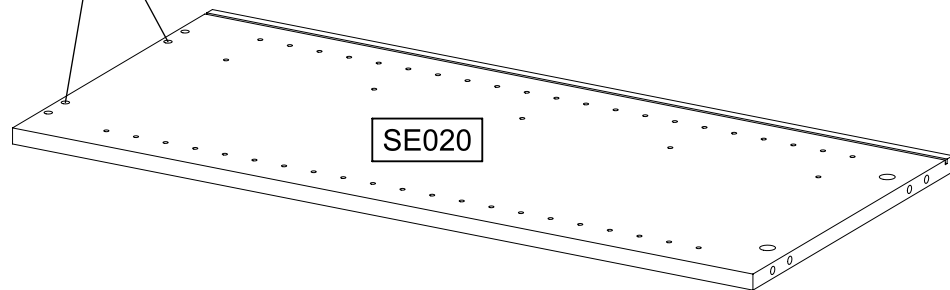


1479

1479




1479

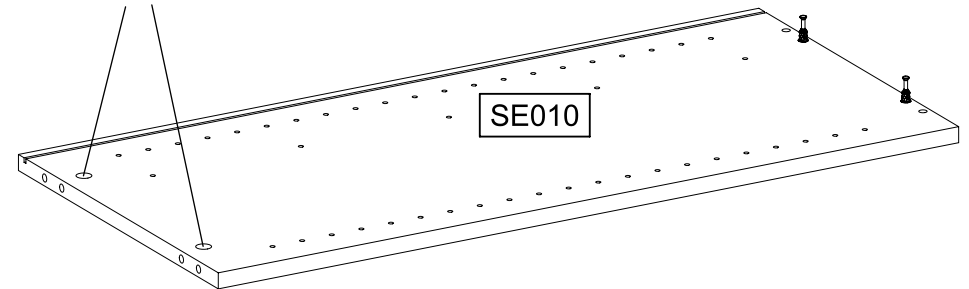


SE020

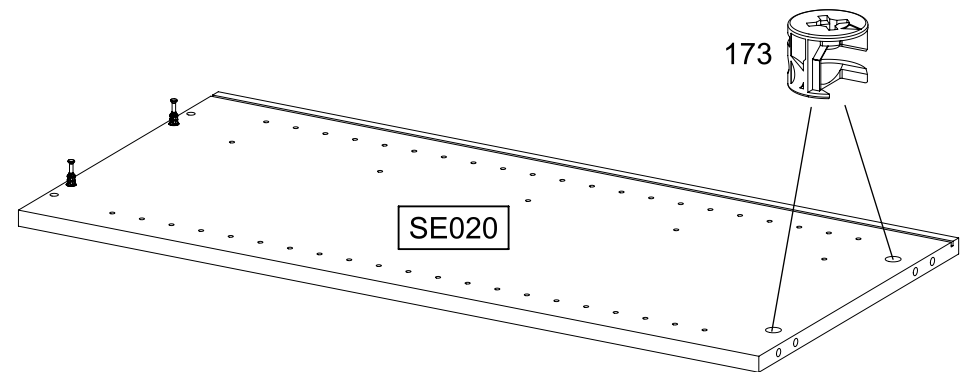
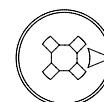
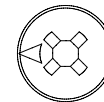
4

4x 173 

173



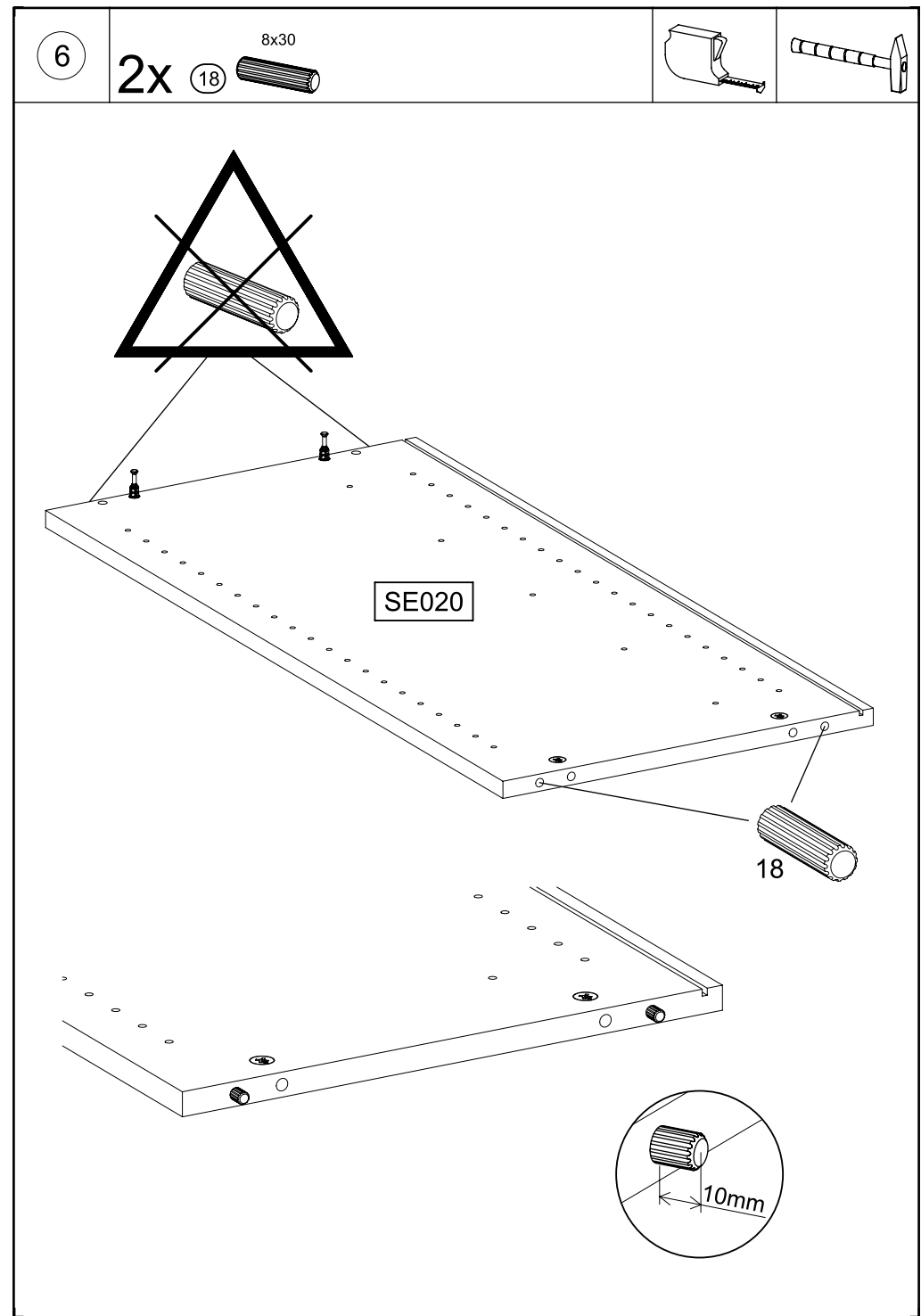
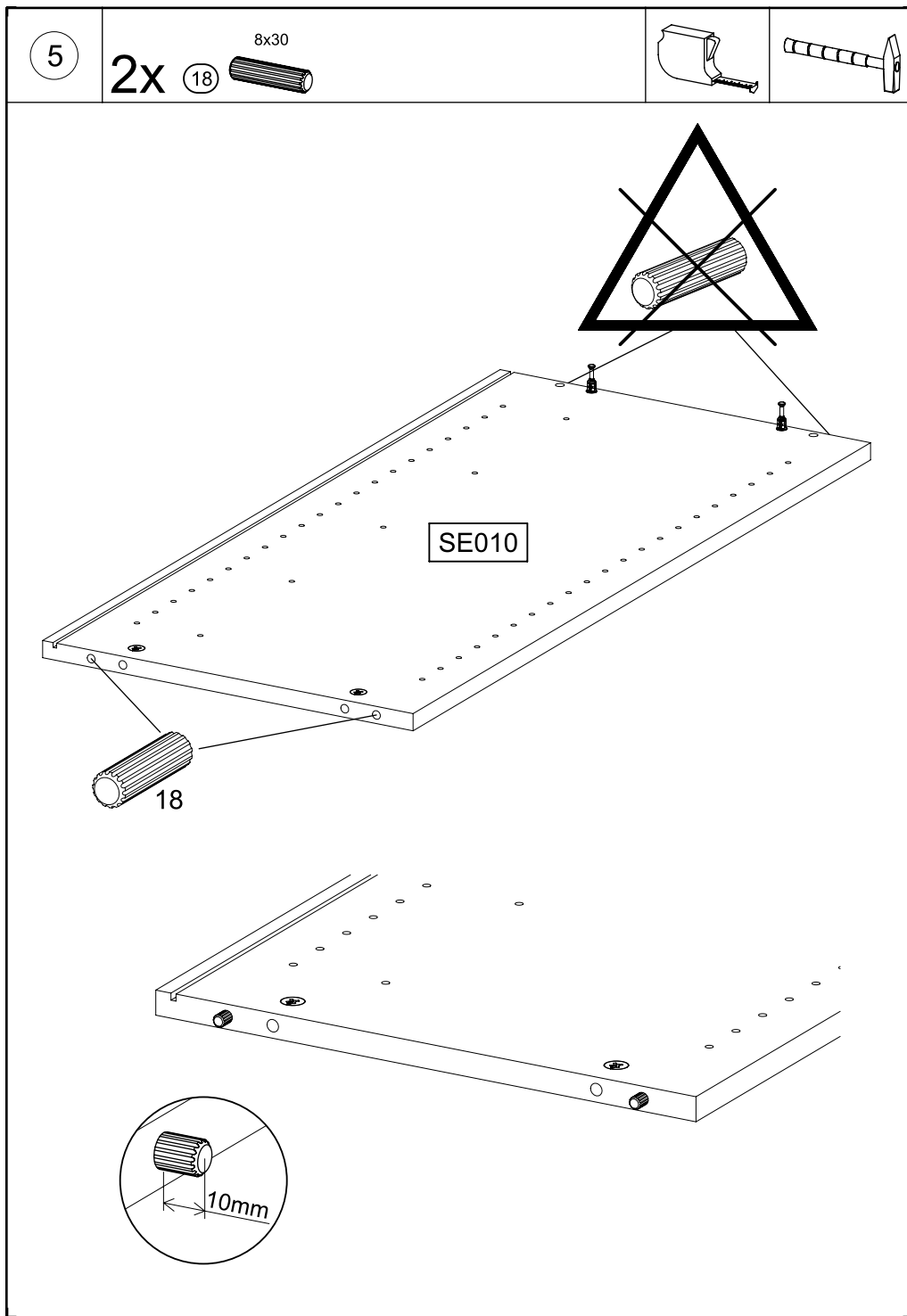
SE010

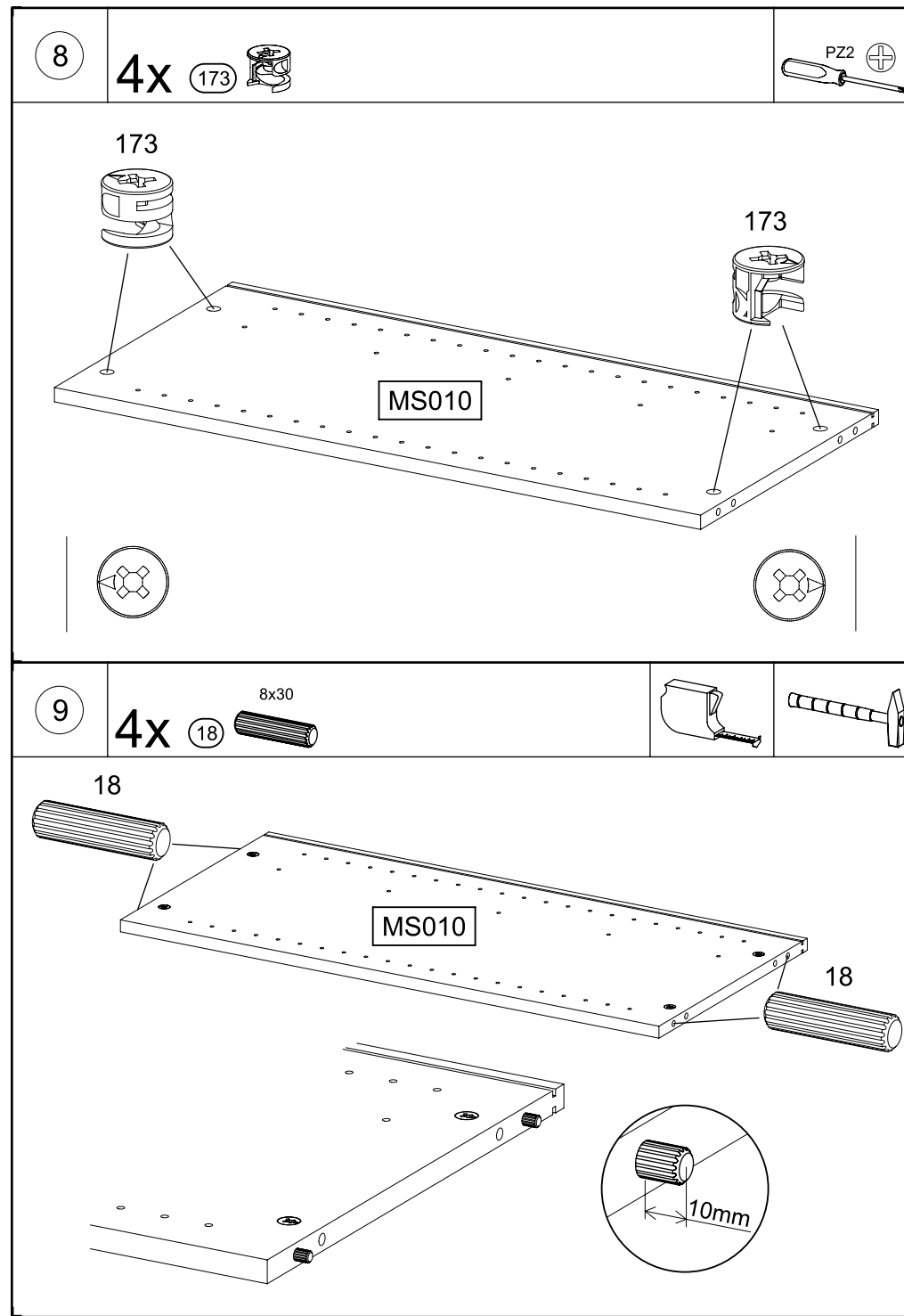
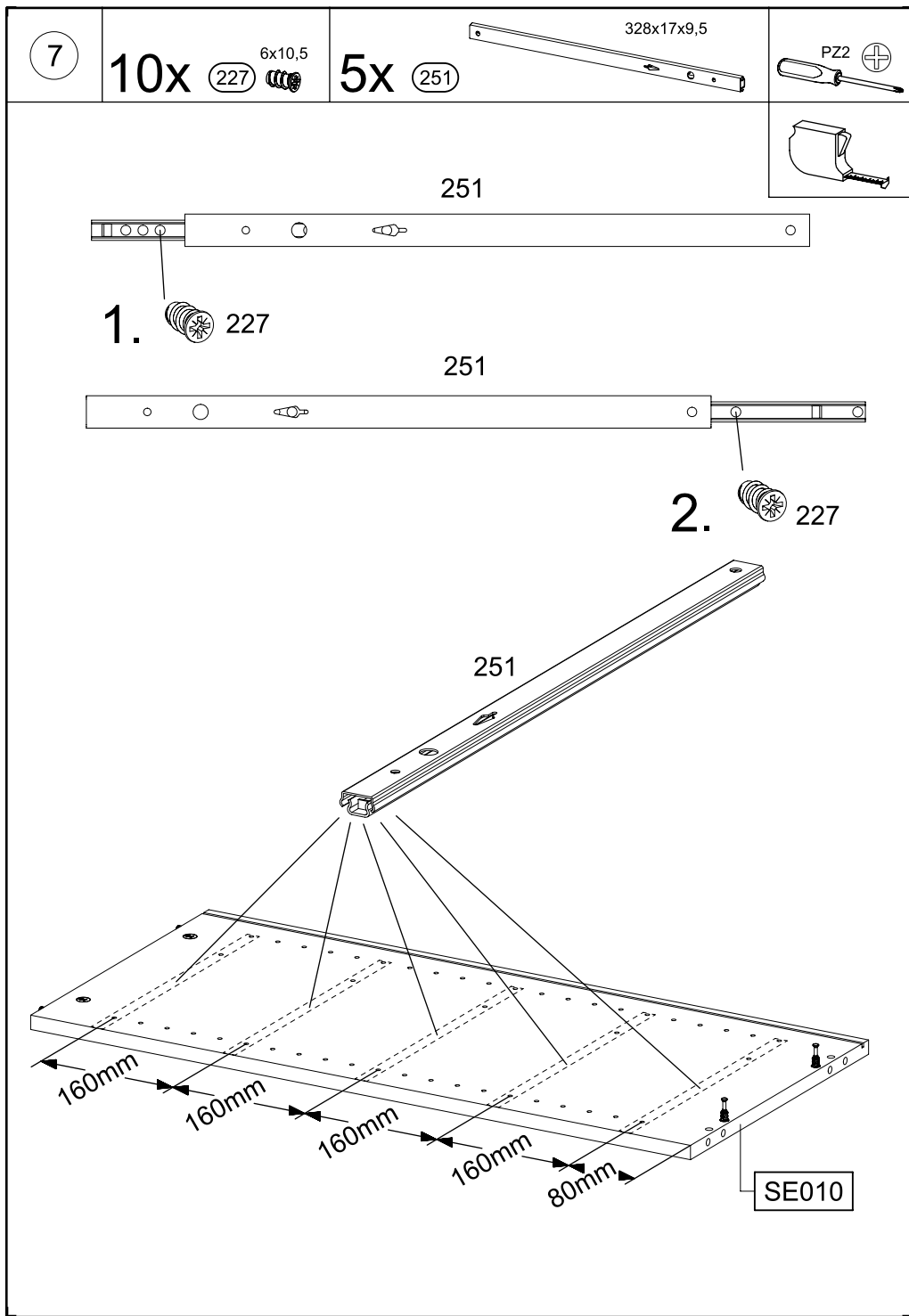


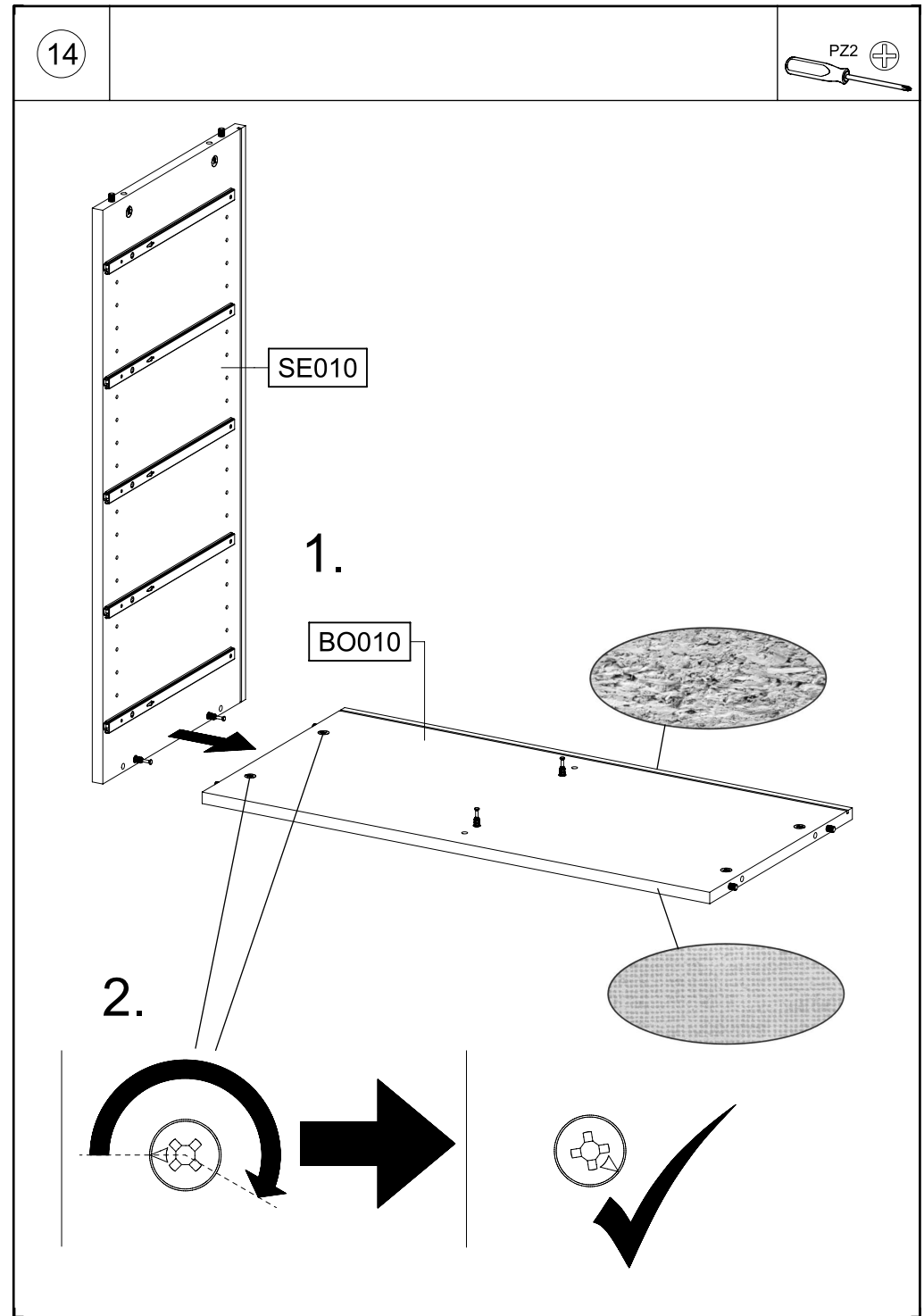
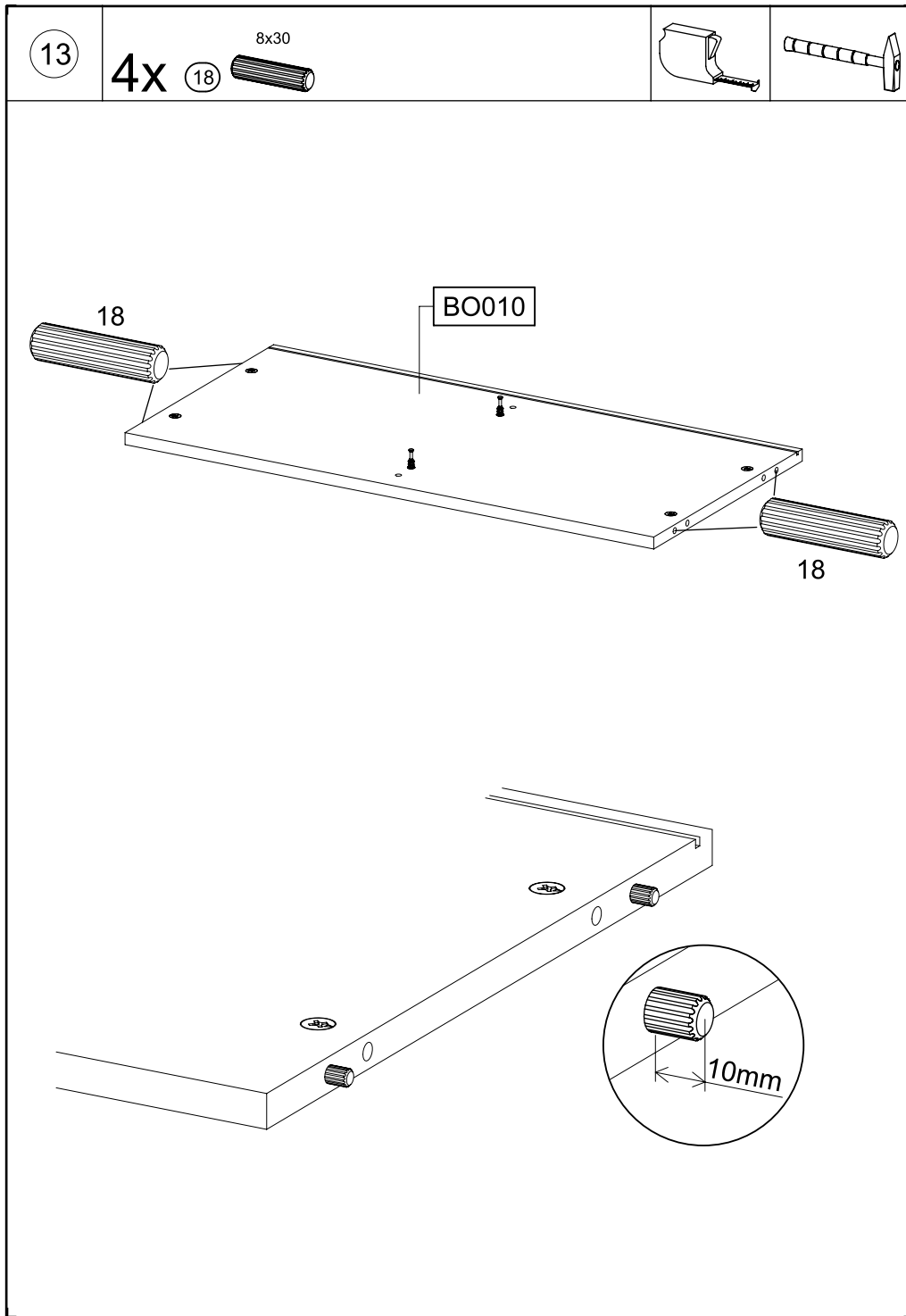
SE020



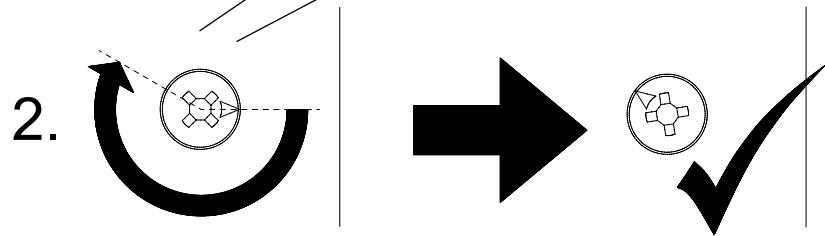
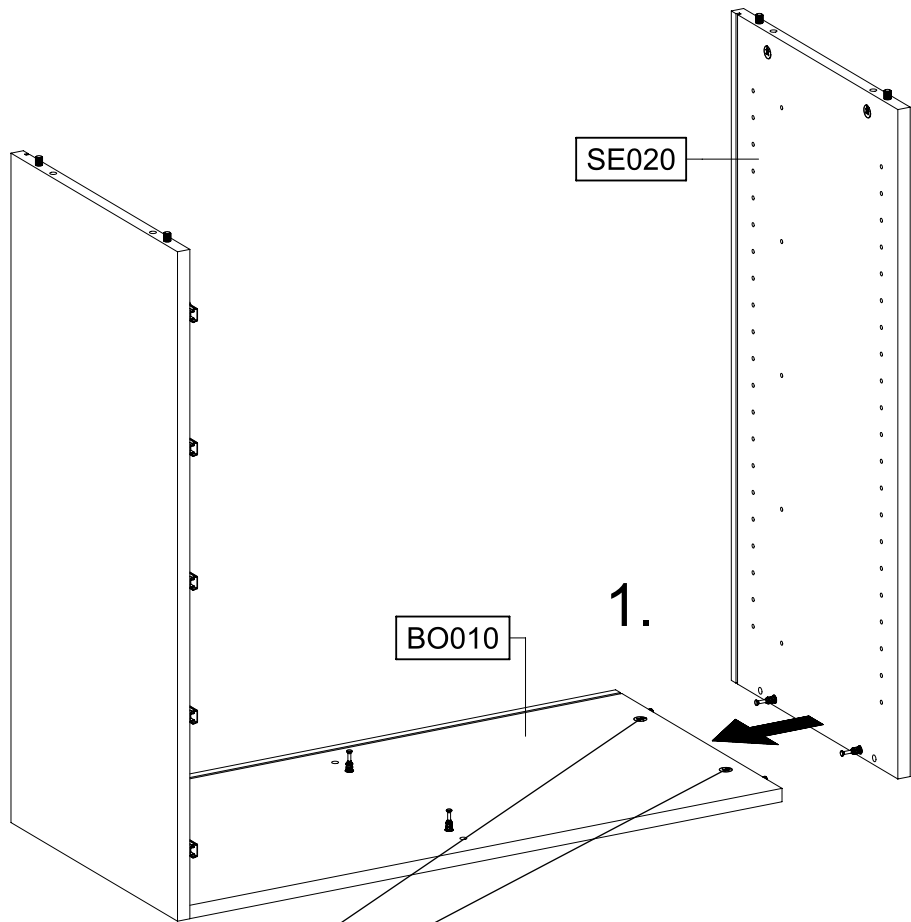
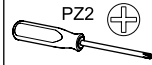
173



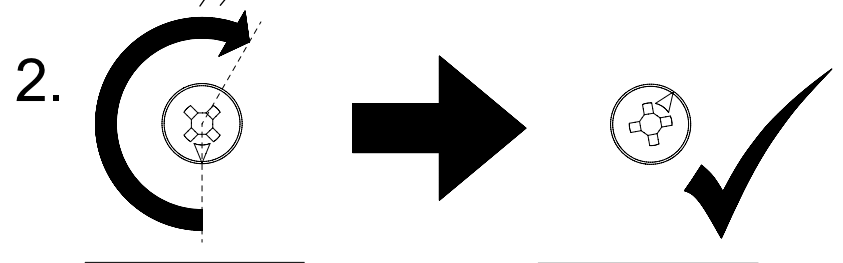
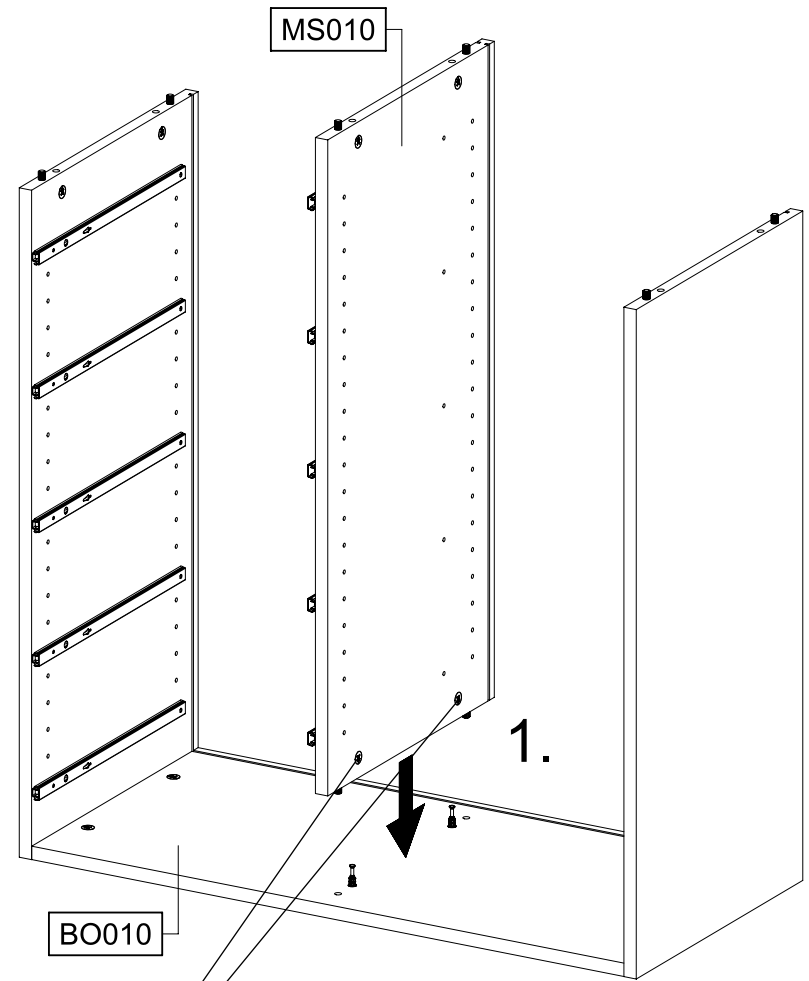
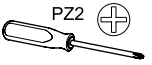




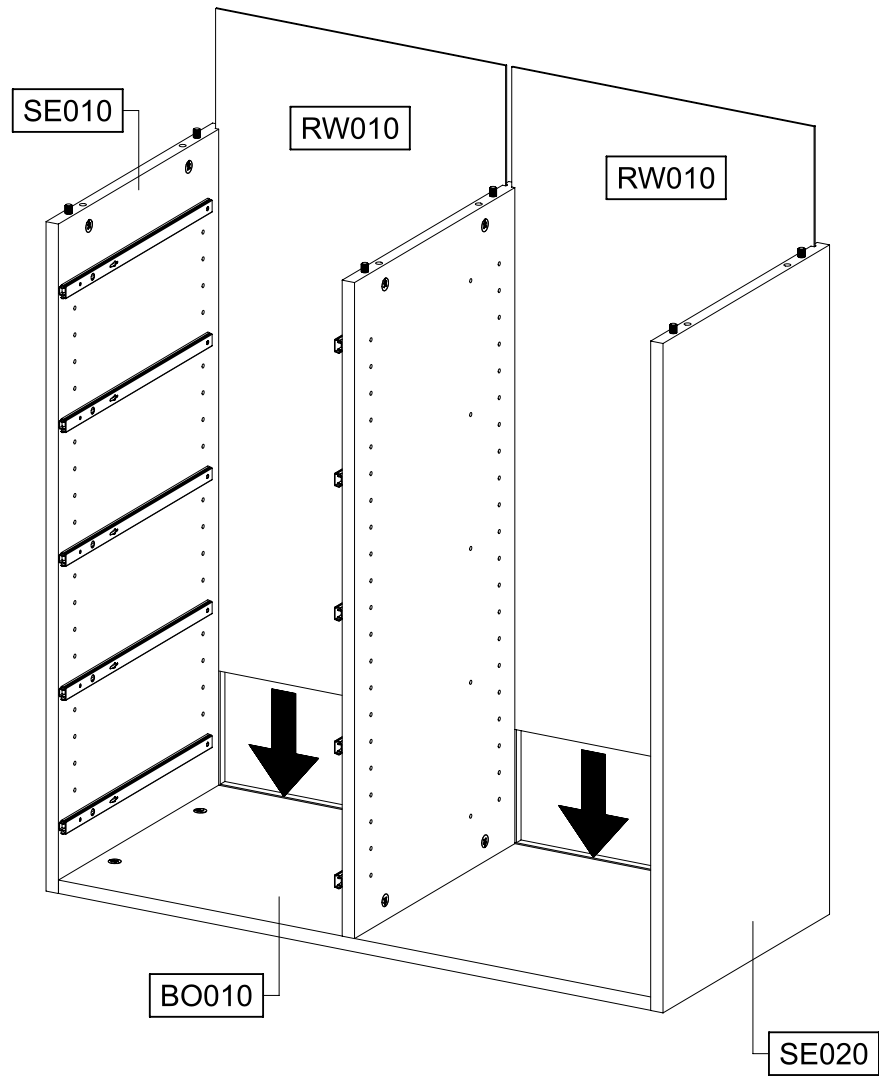
15



16



17

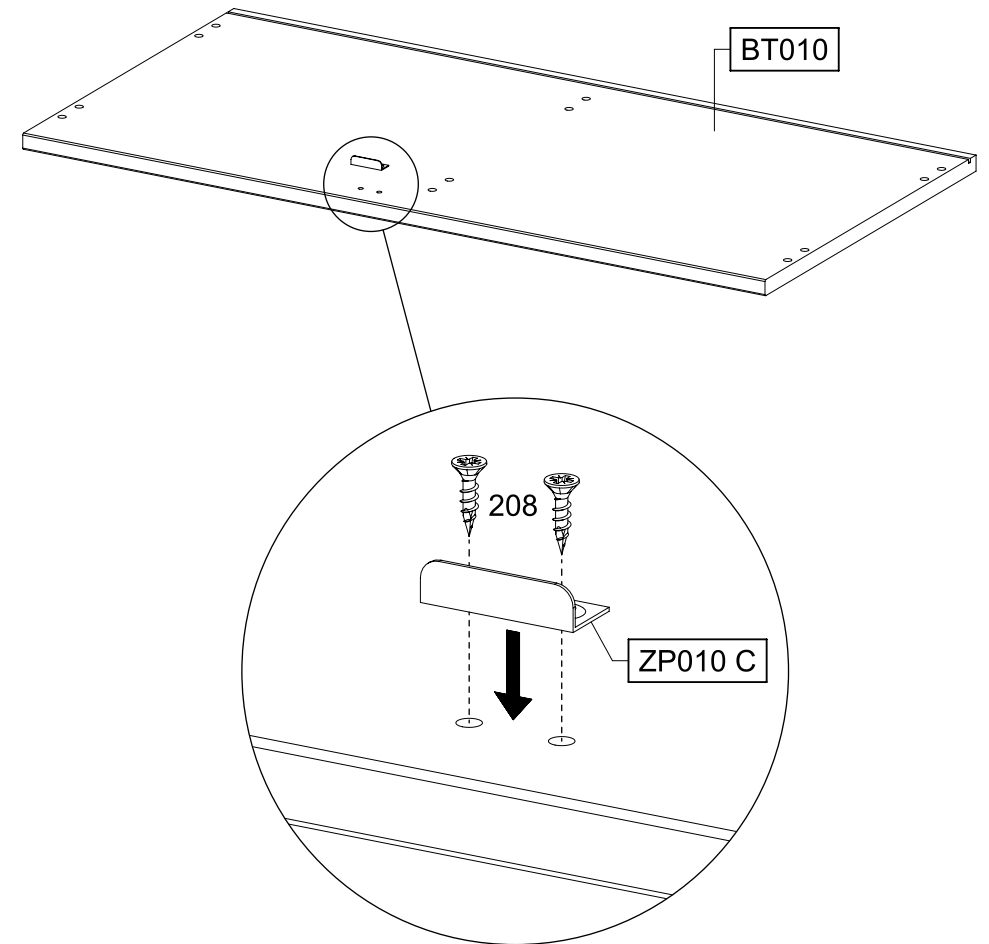
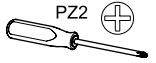


18

1x ZP010 C



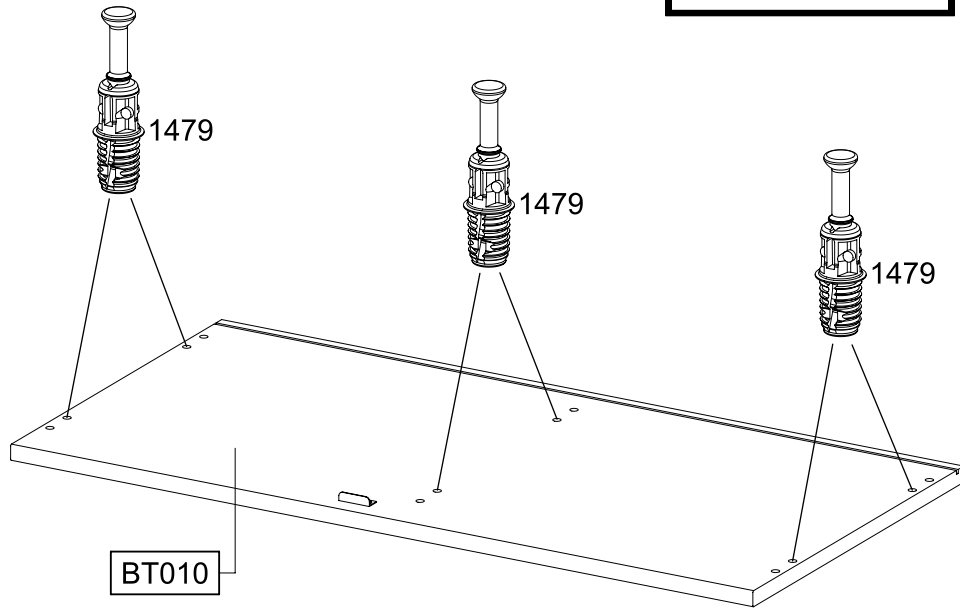
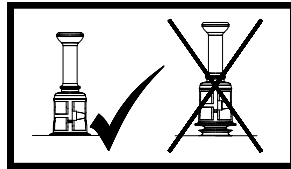
2x 208 3,5x15



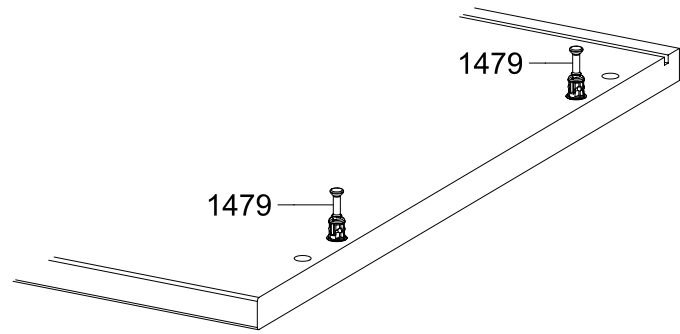
19

6x

1479



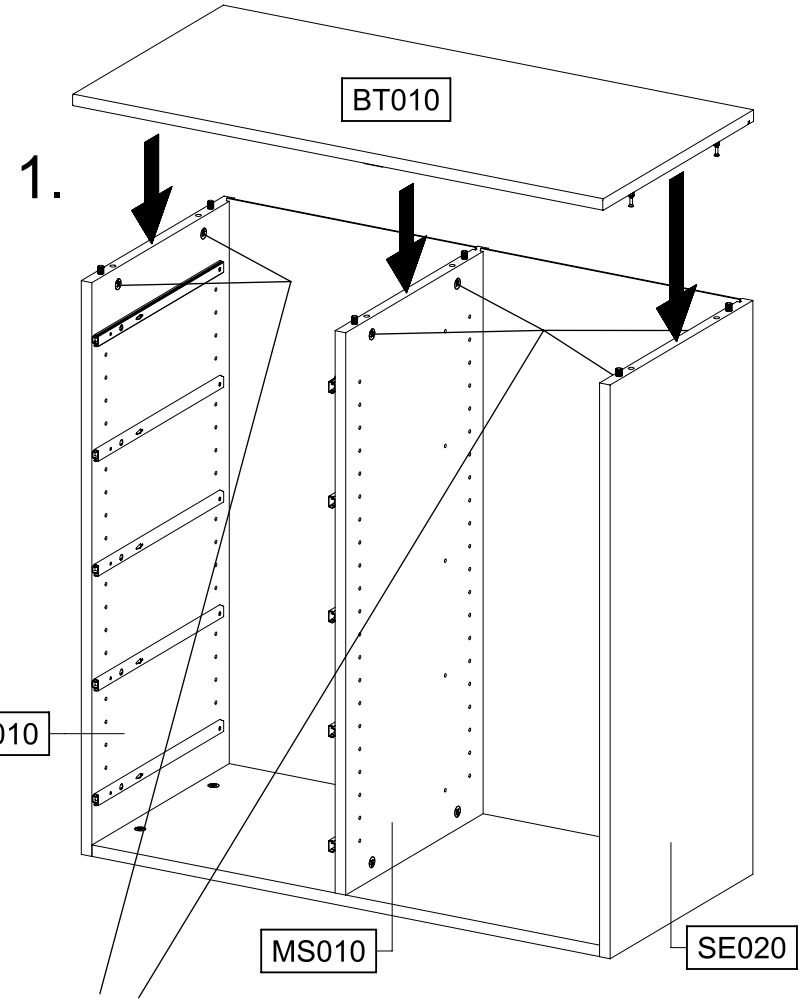
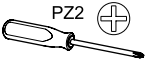
BT010



1479

1479

20



BT010

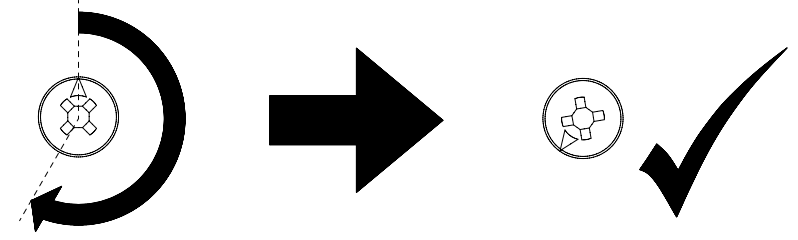
1.

SE010

MS010

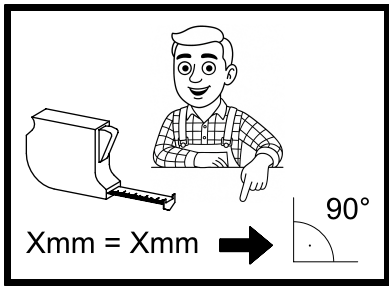
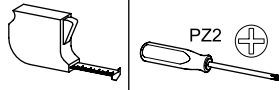
SE020

2.

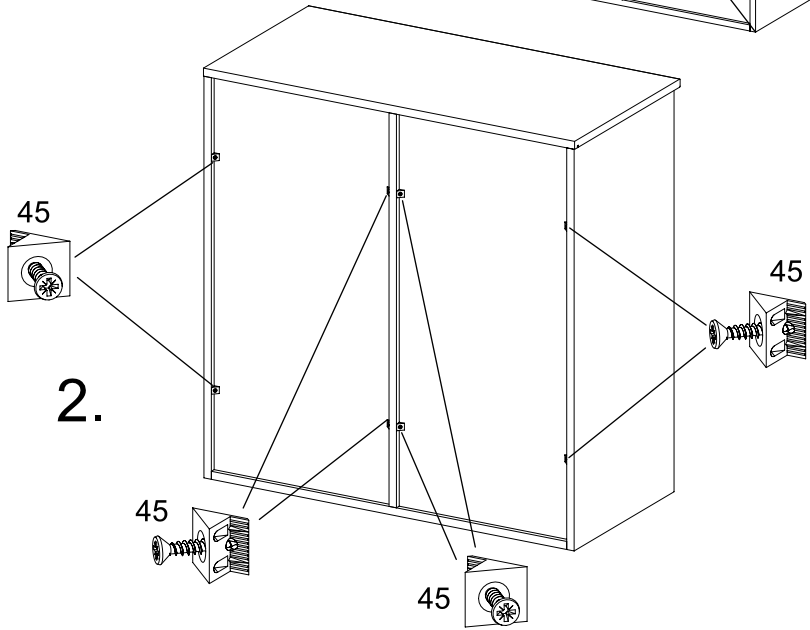
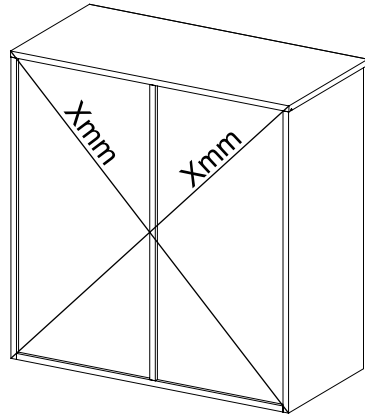


21

8x 45

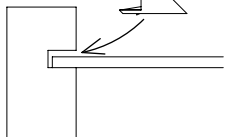


1.

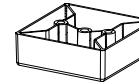
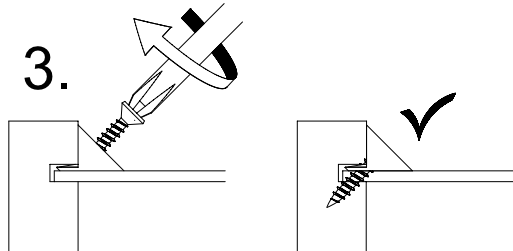


2.

2.



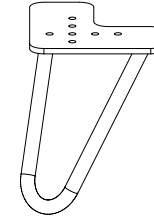
3.



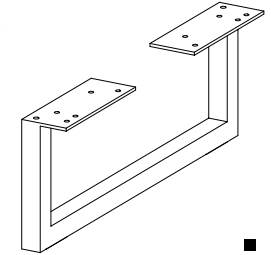
1207



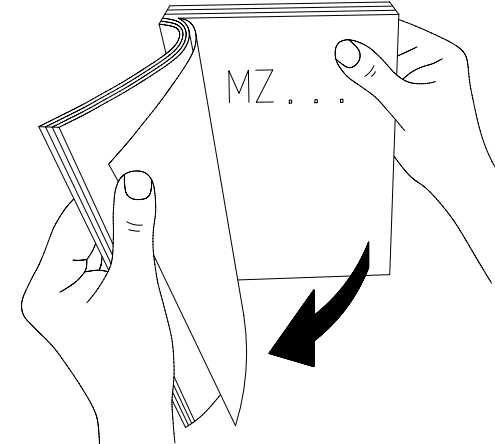
1481



1345



1348

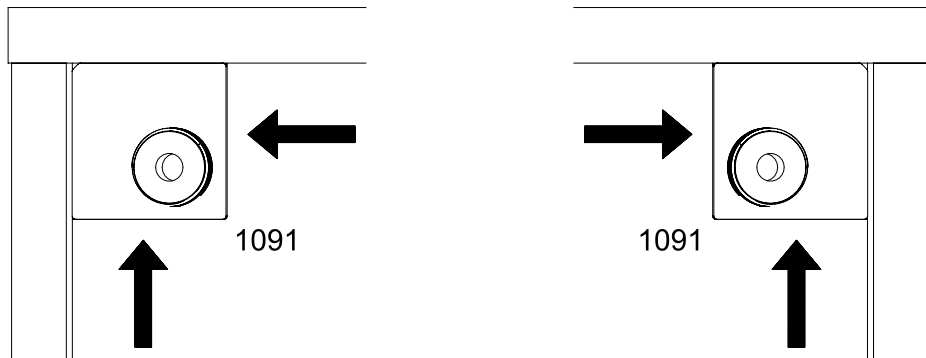
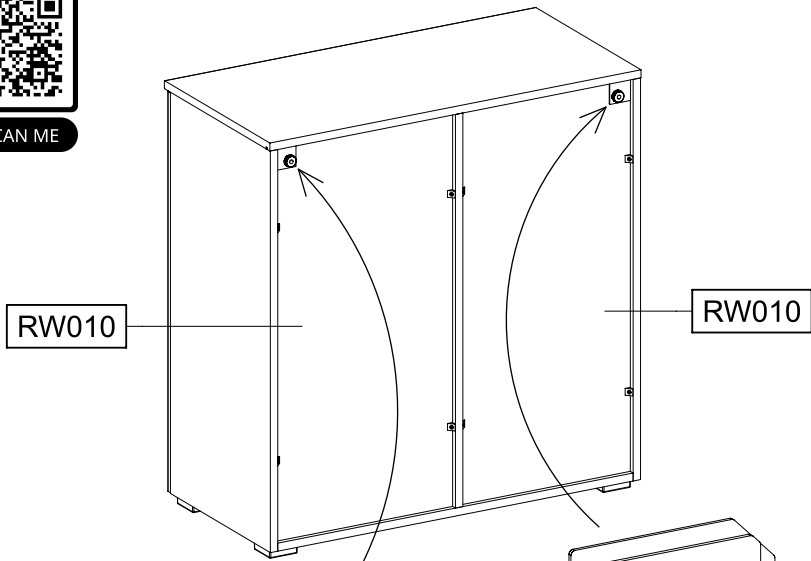


22

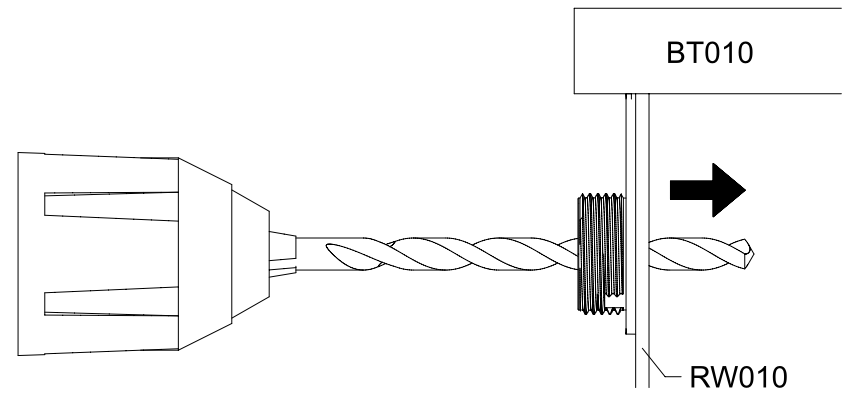
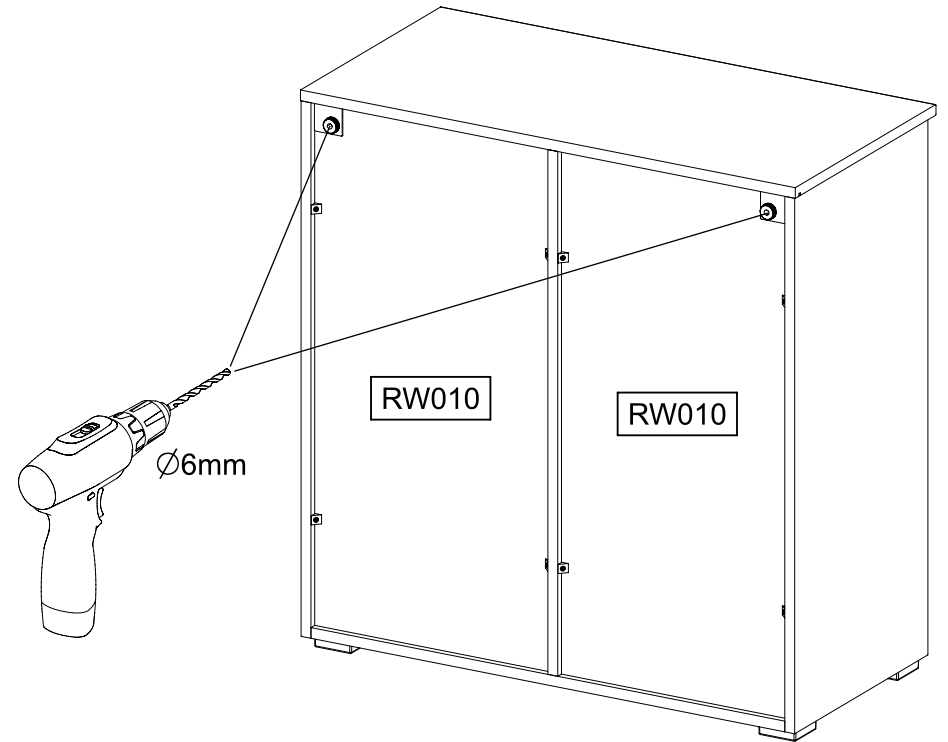
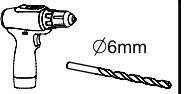
2x 1091

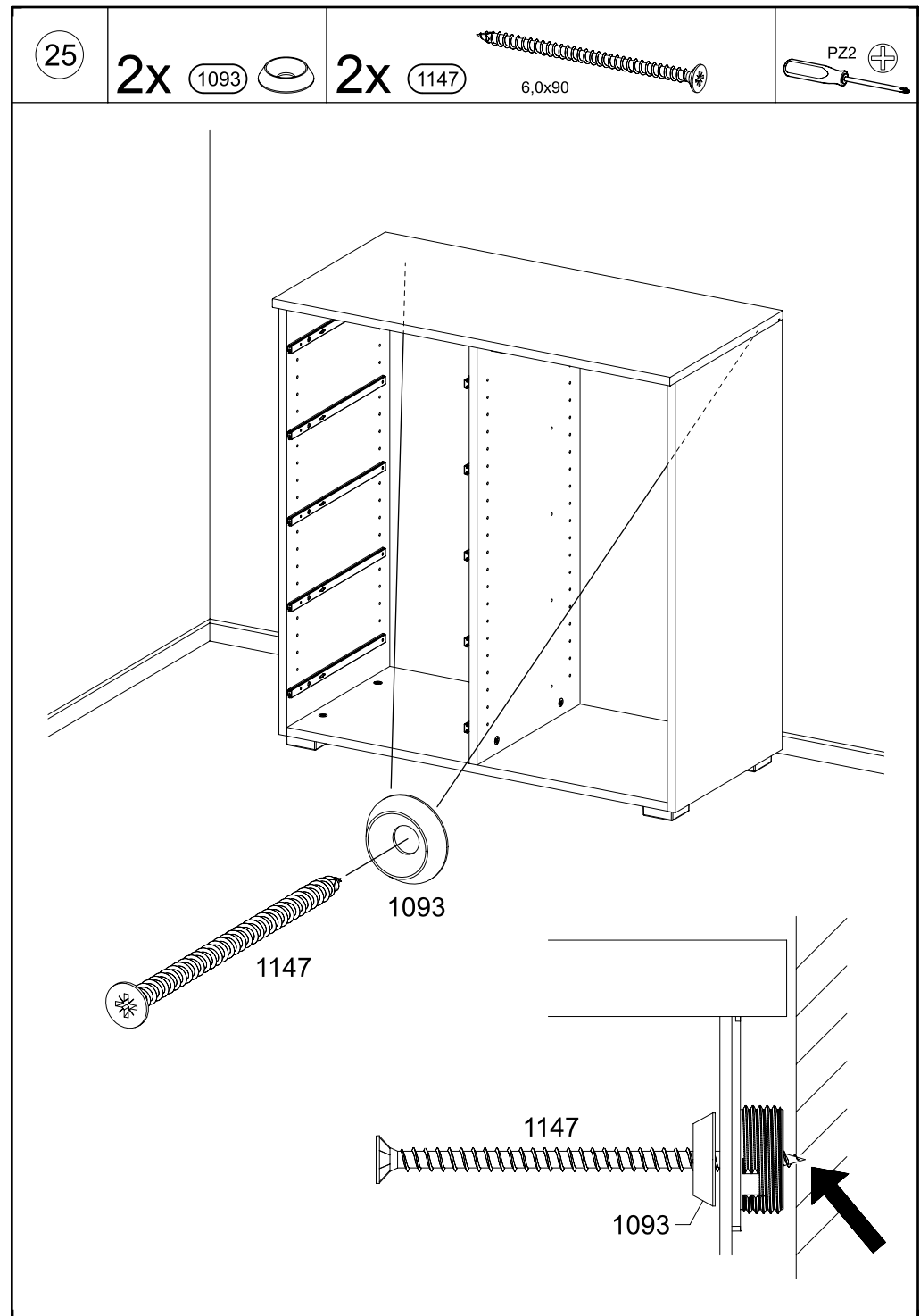
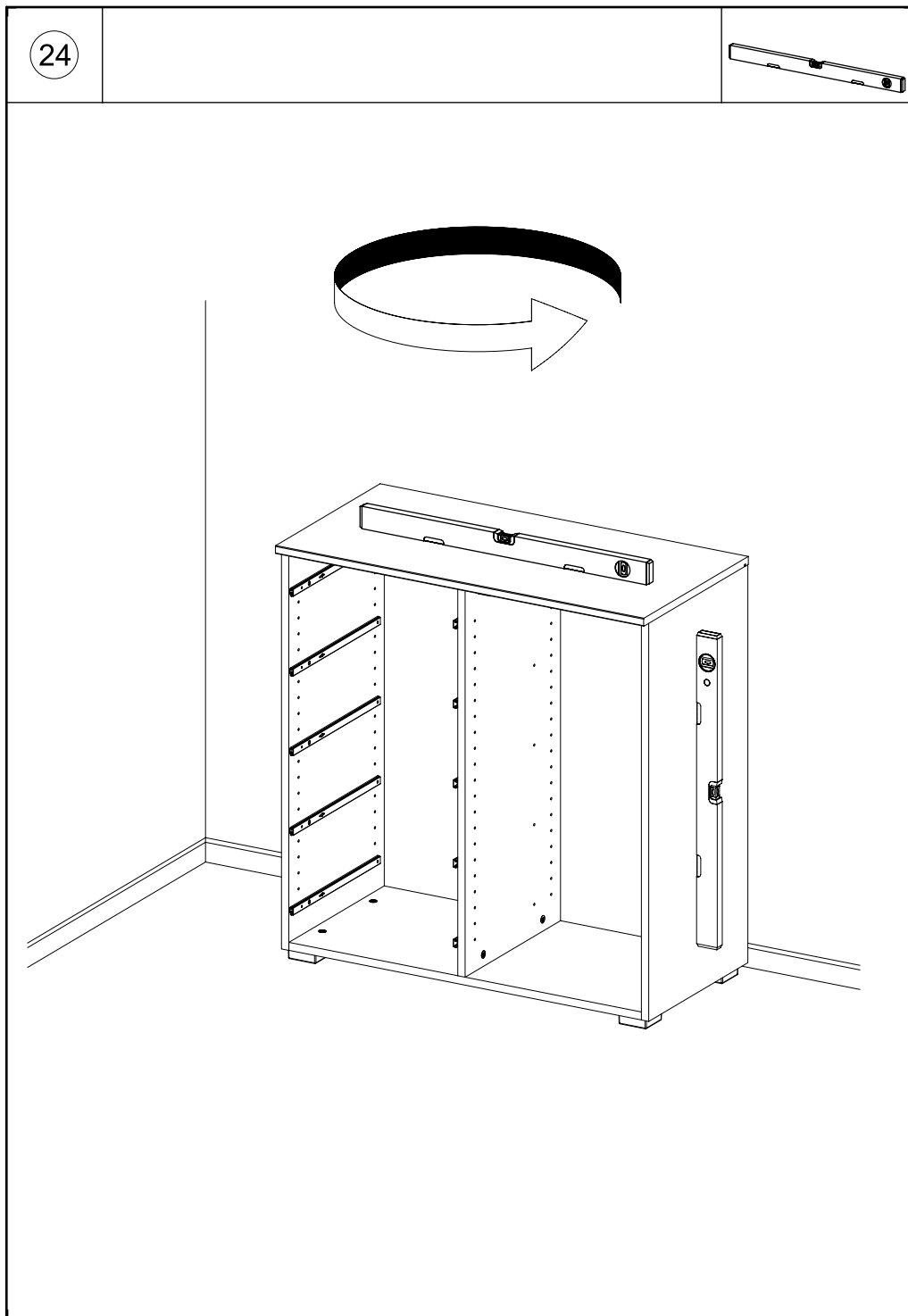


SCAN ME

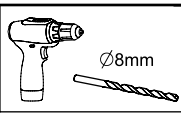


23

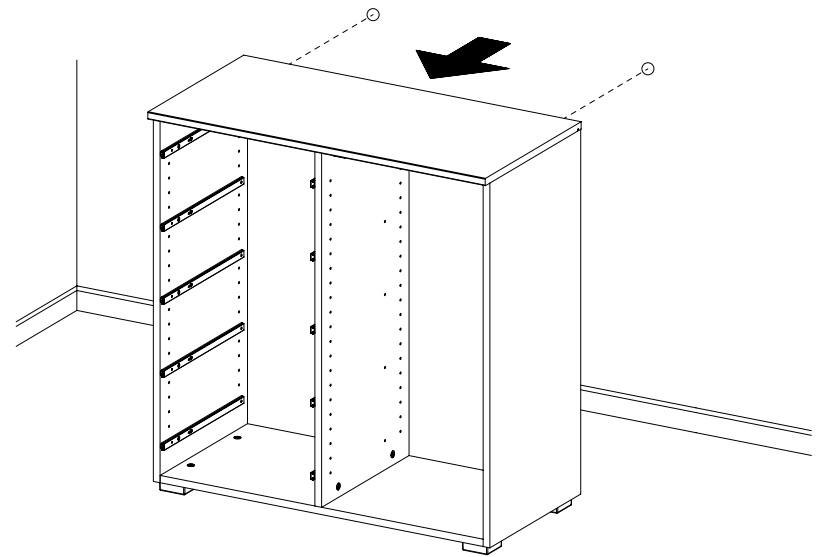




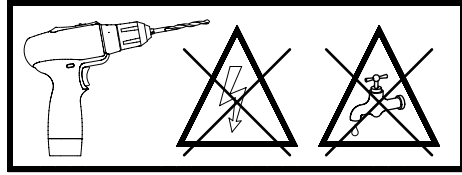
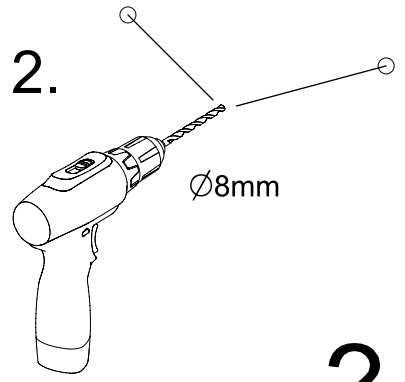
26



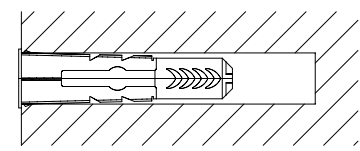
1.



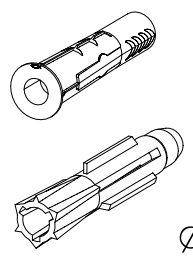
2.



3.



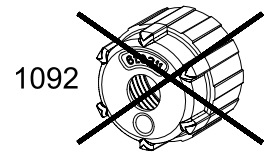
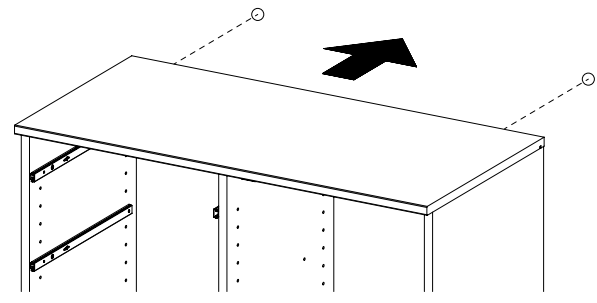
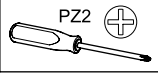
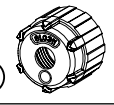
?



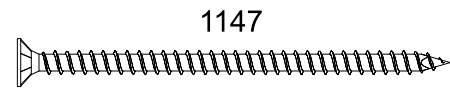
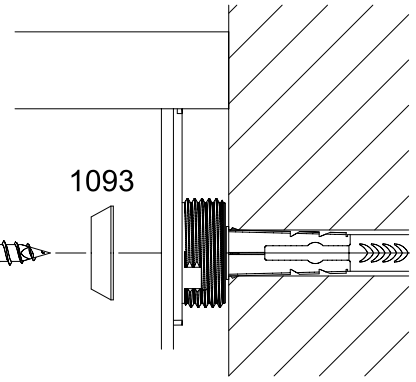
Ø8mm

27

2x 1092

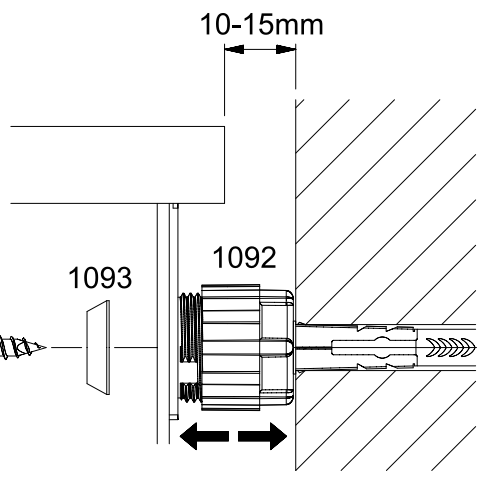


1093

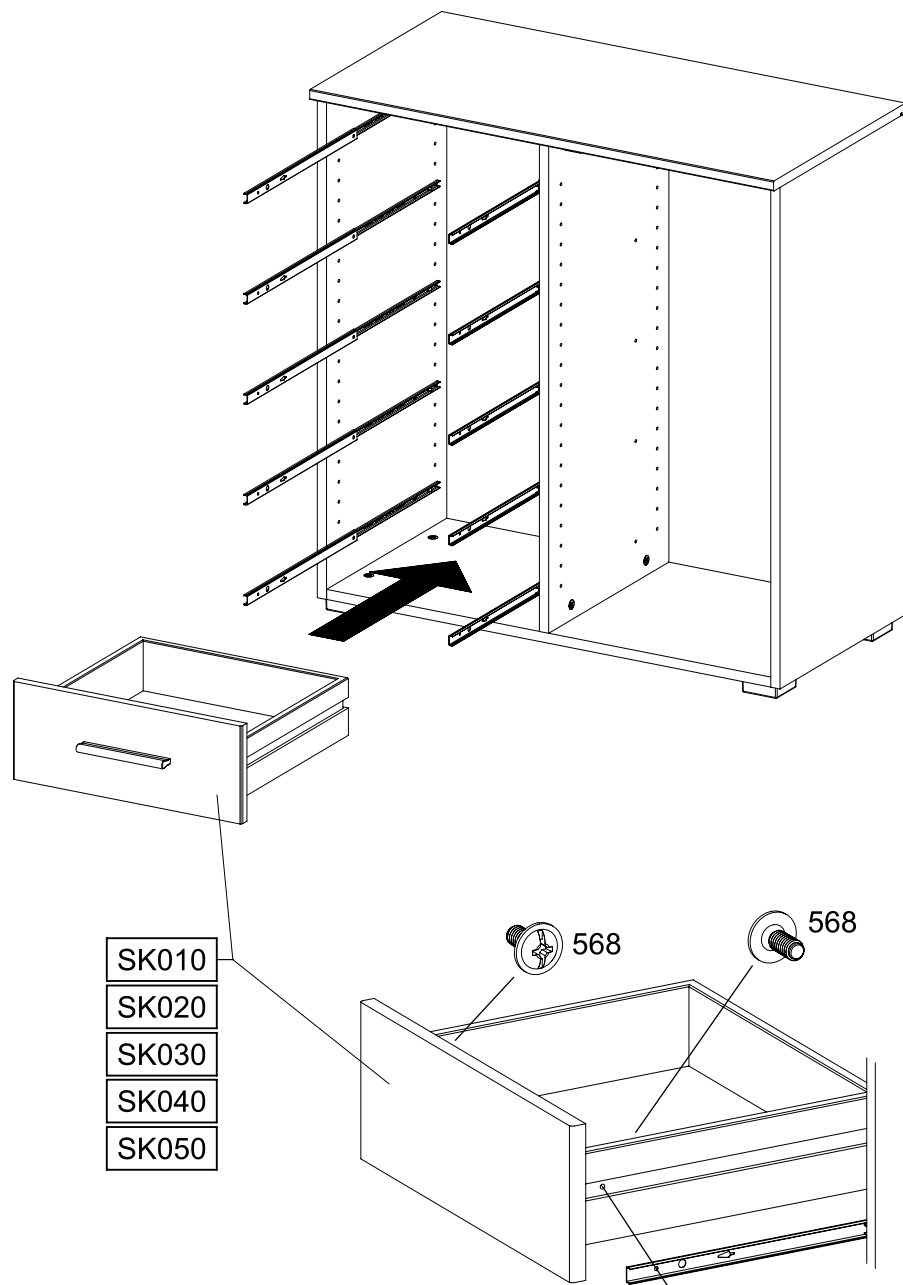
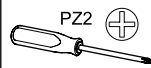


1093

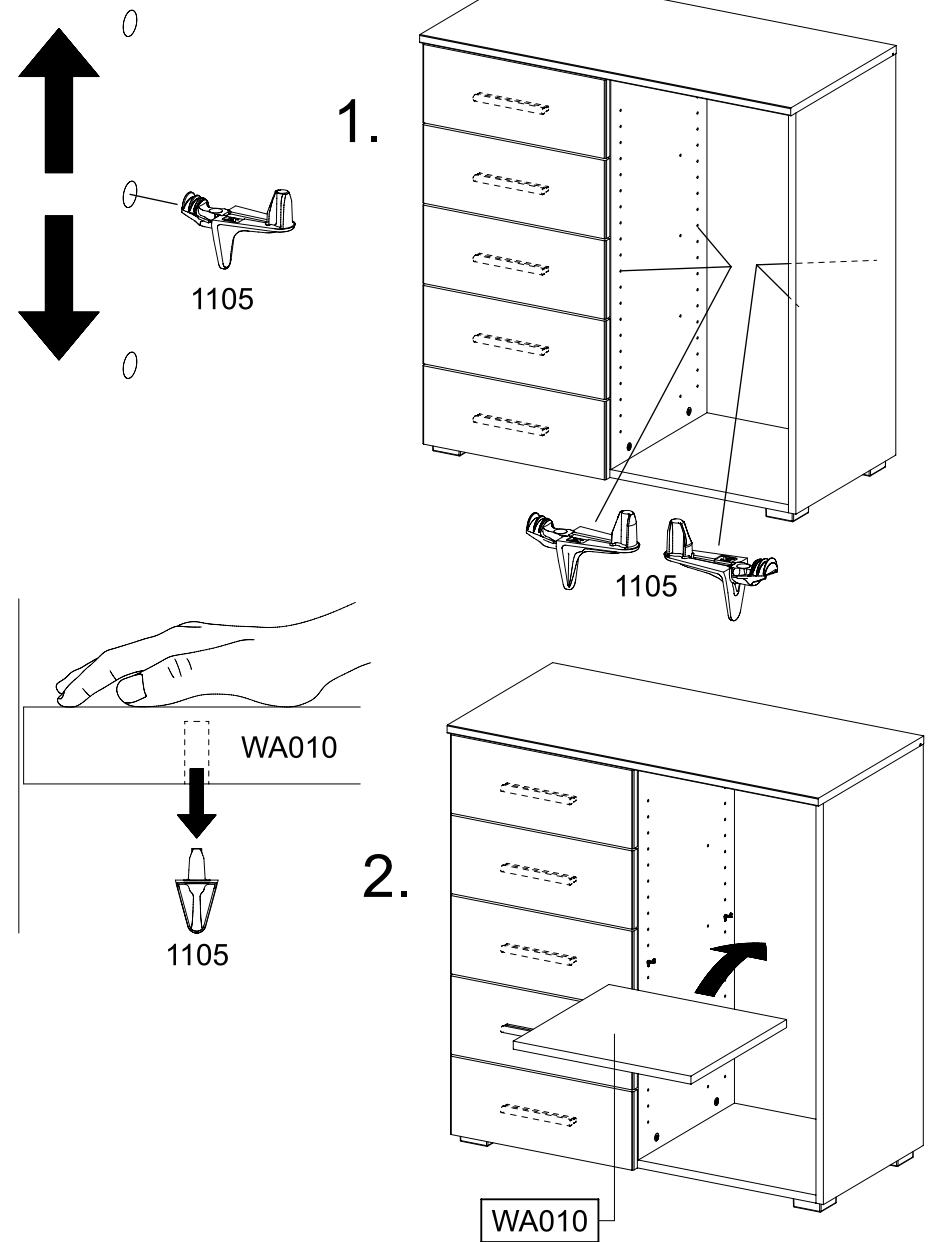
10-15mm

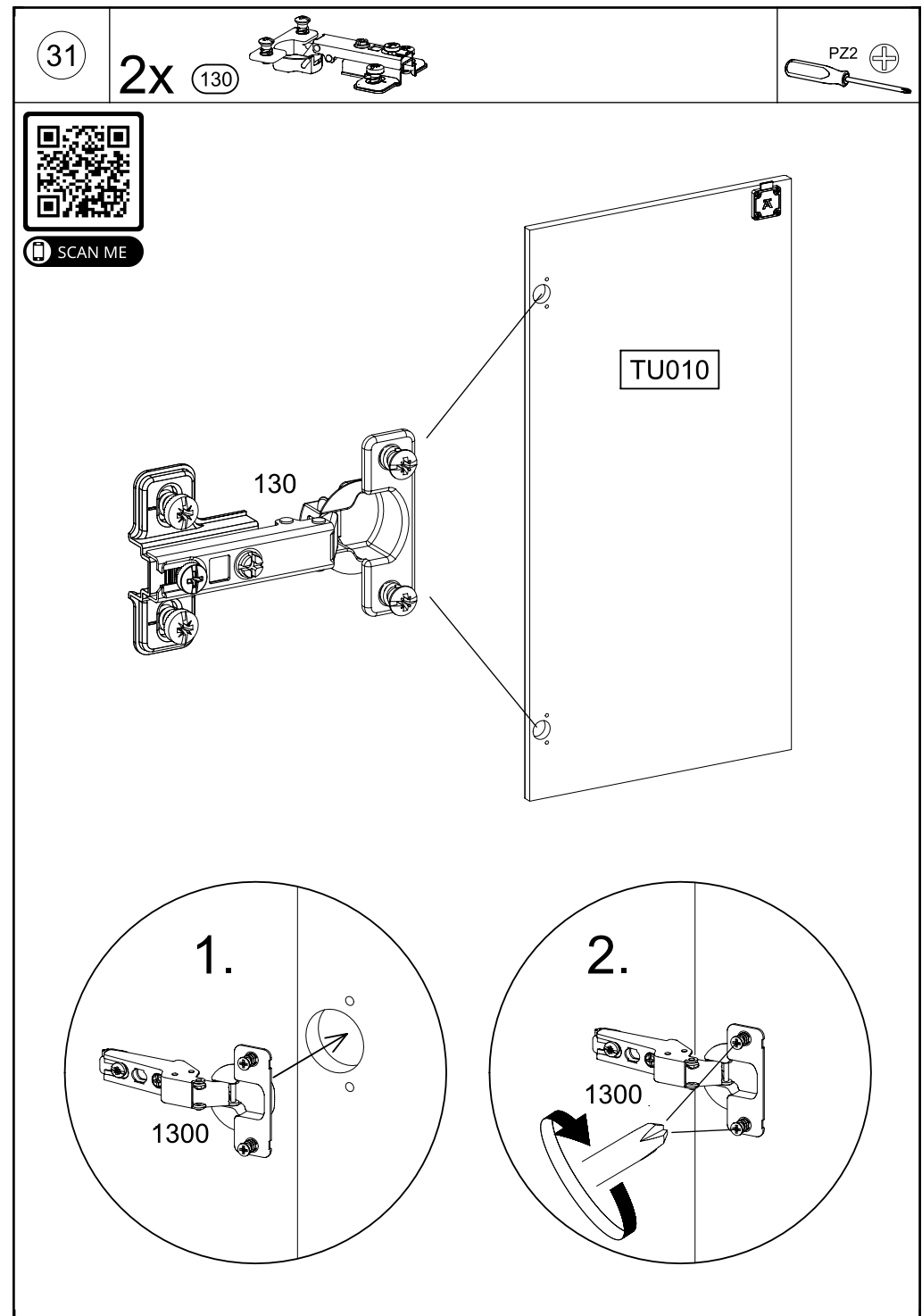
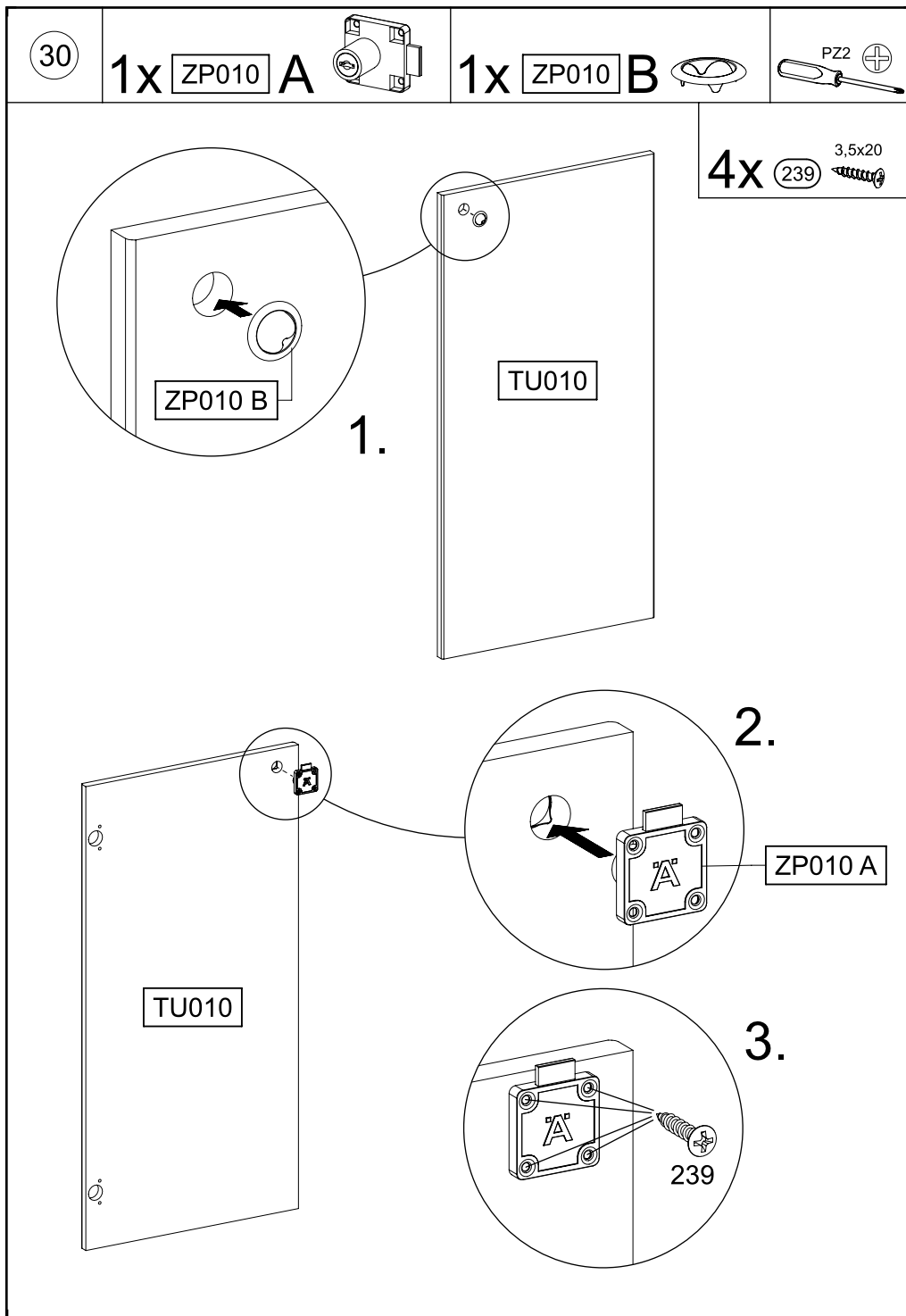


28

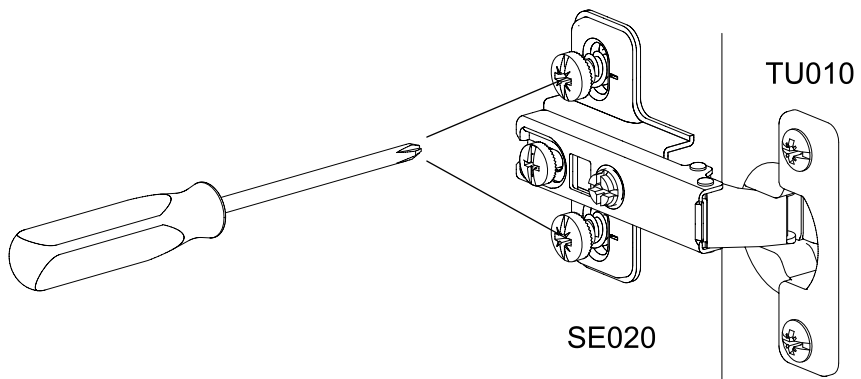
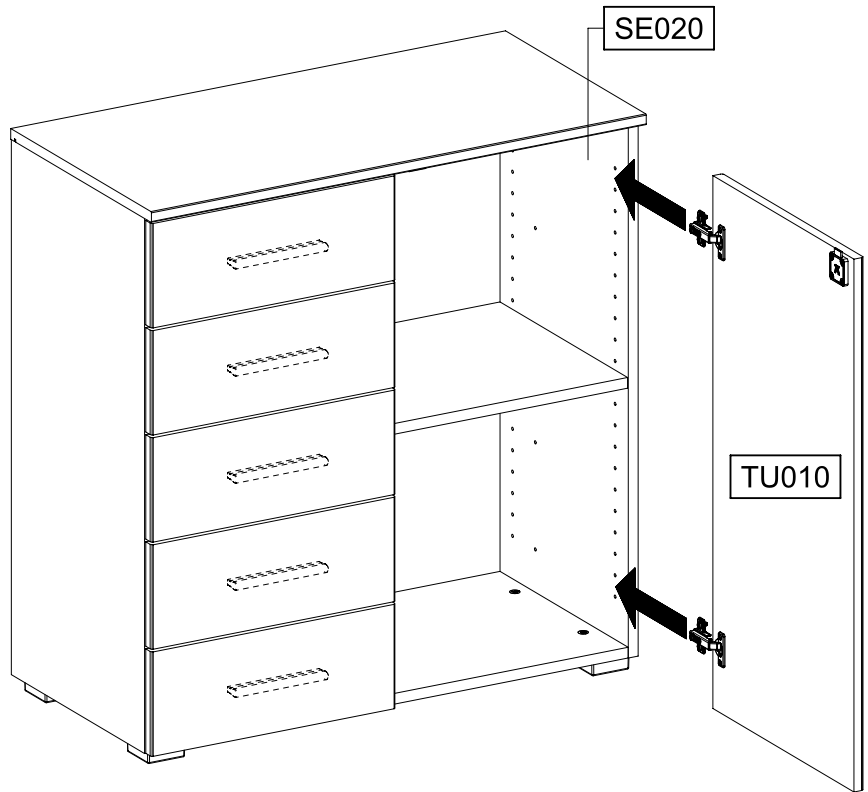
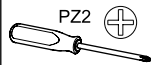
10x **568** M4x9

29

4x **1105**



32



33

