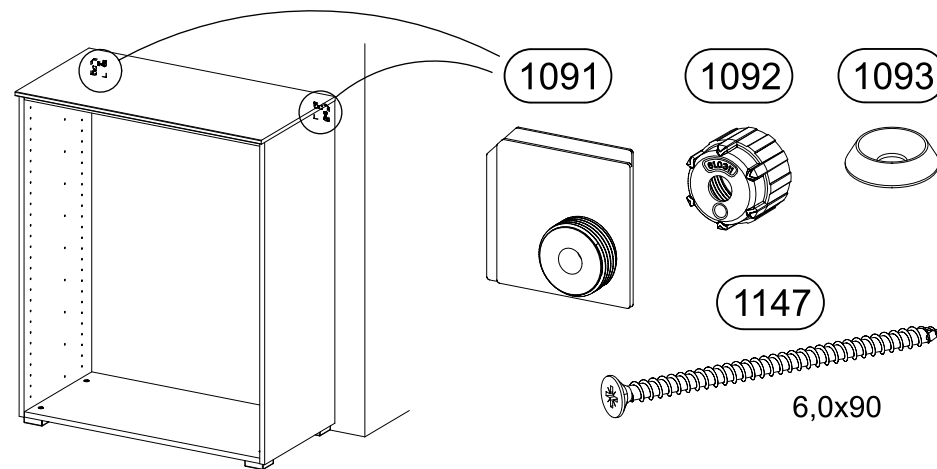
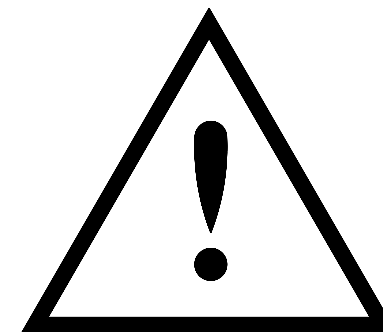
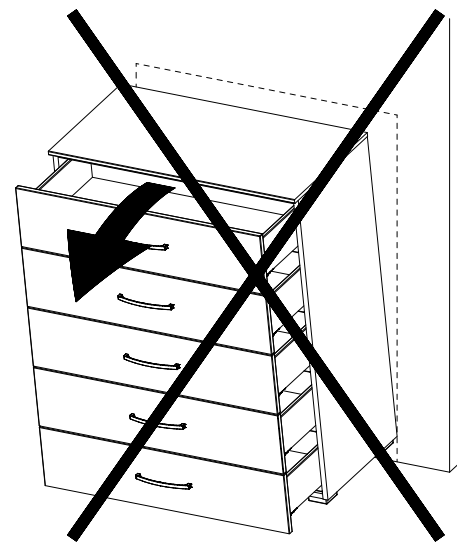
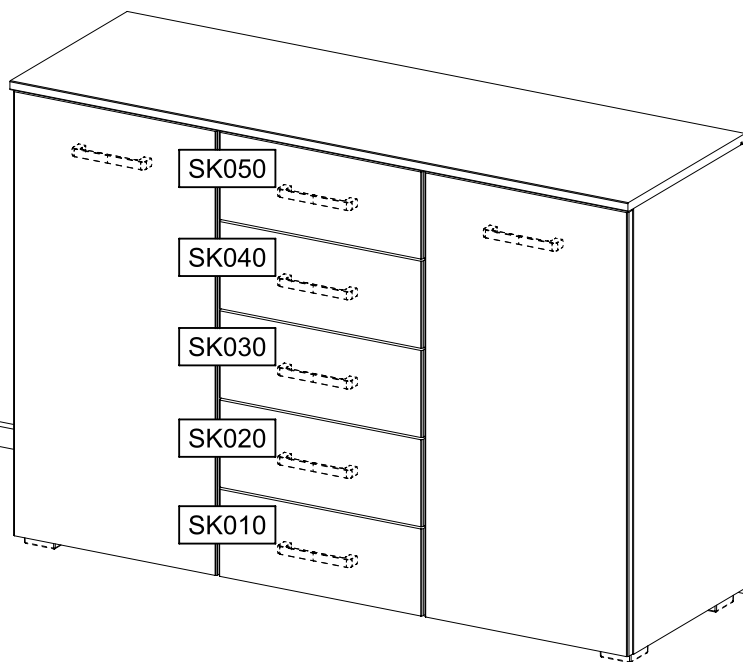
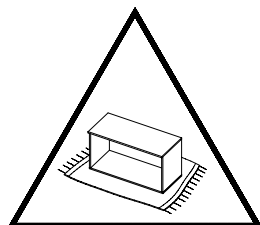
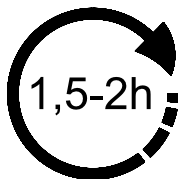
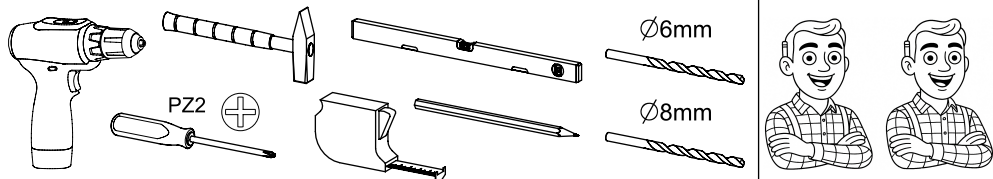


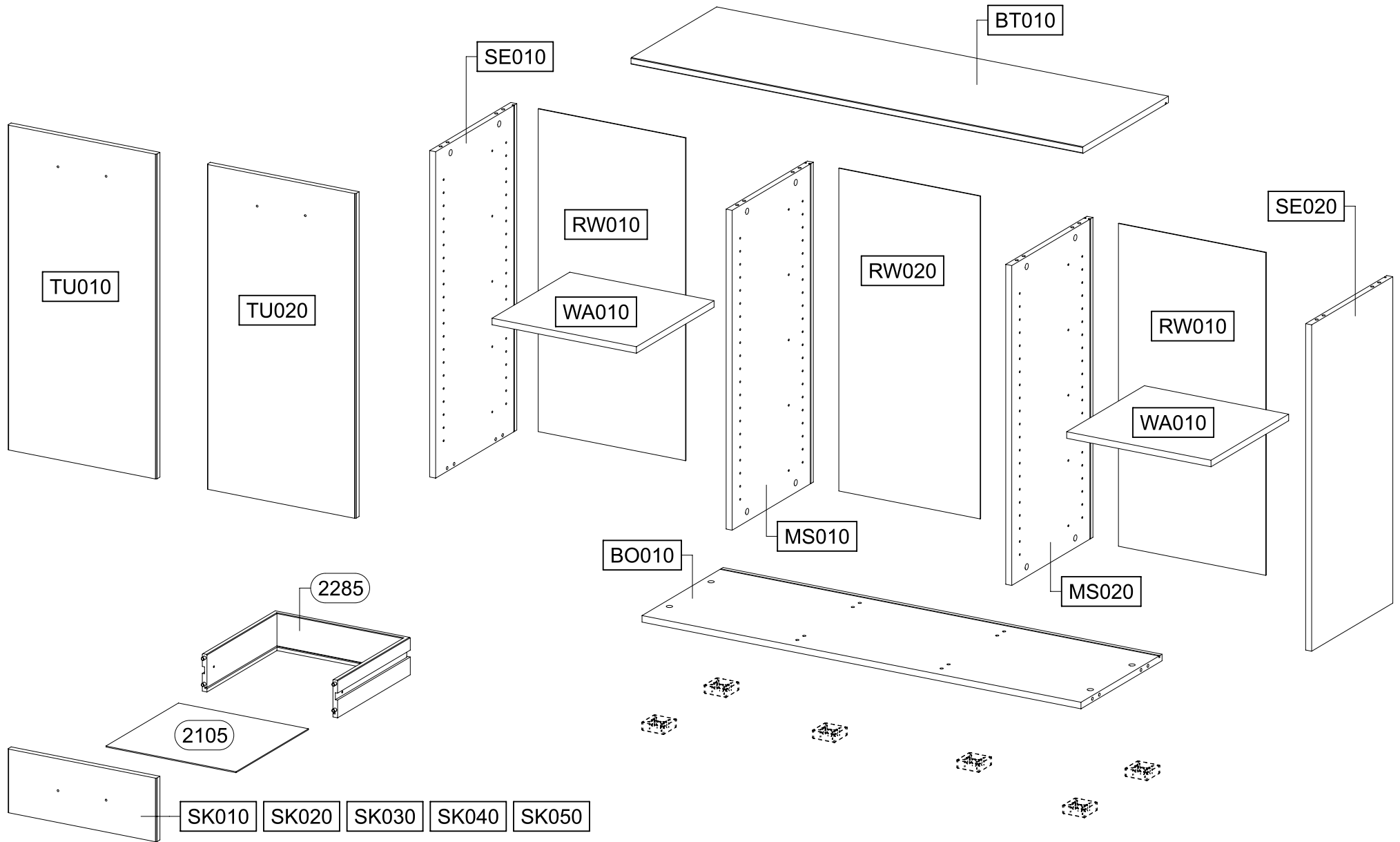
M3132_02

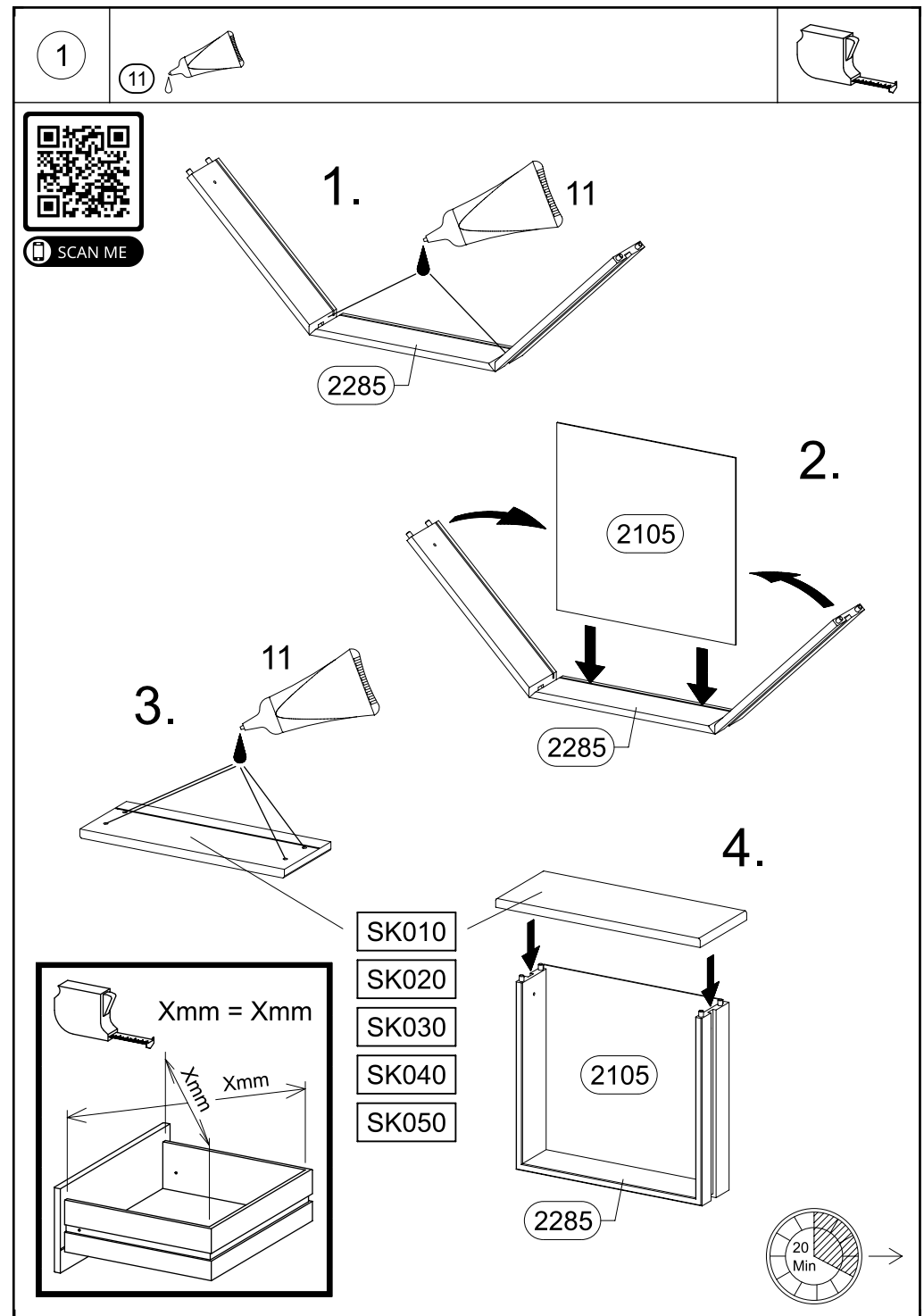
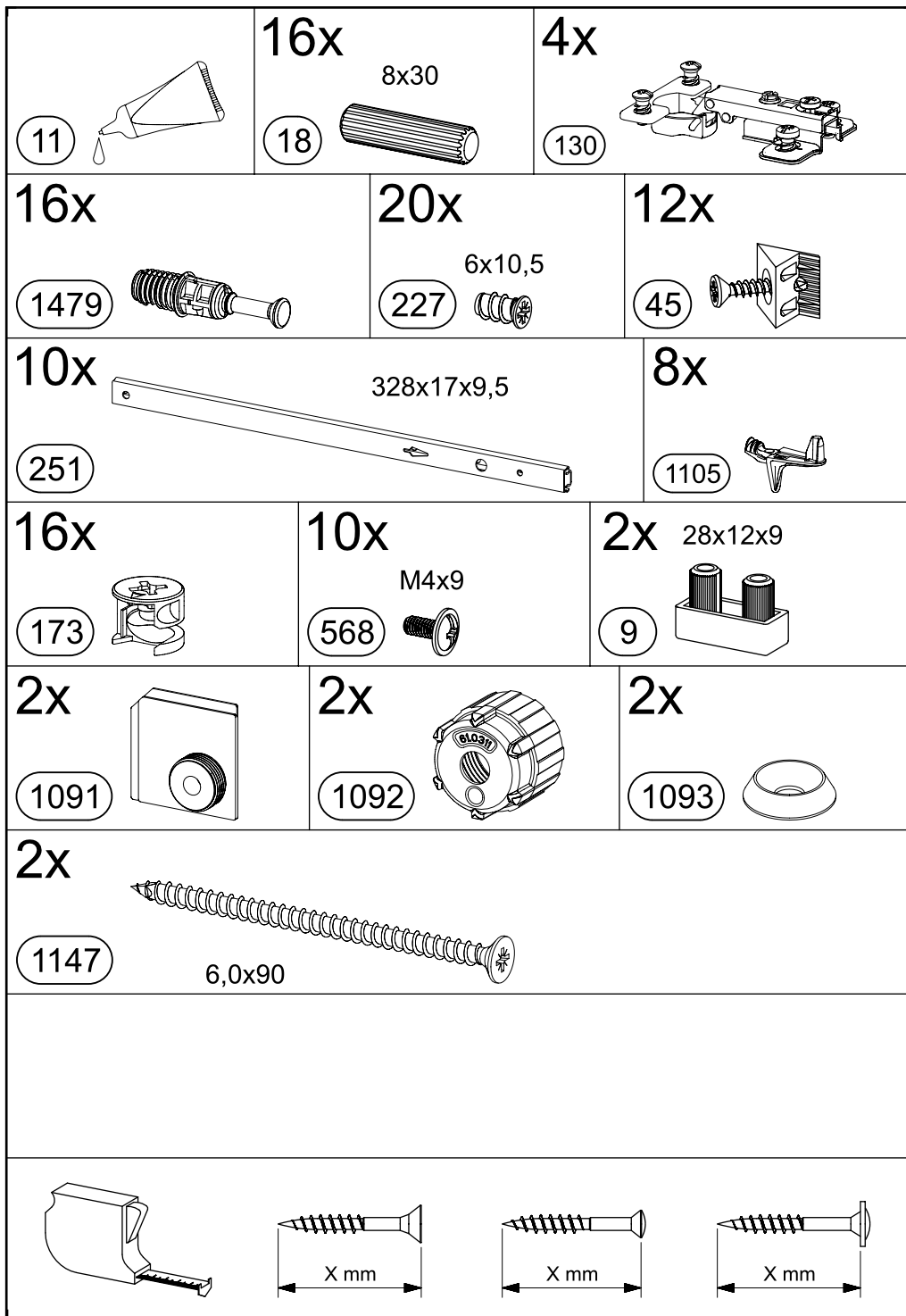


VIDEO



SCAN ME





2

1479



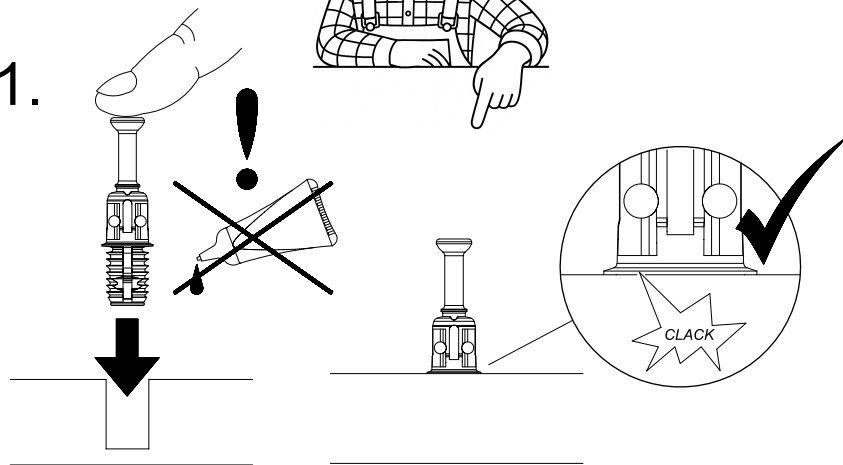
Function!



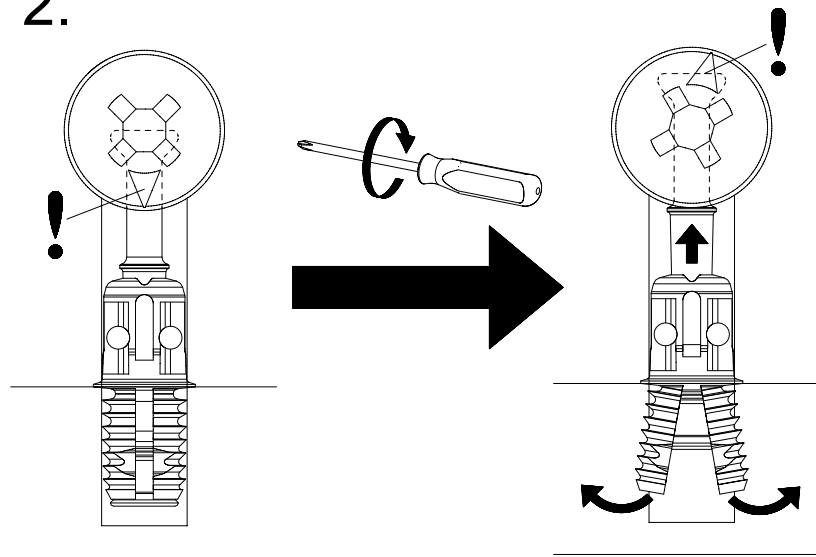
Scan Me



1.



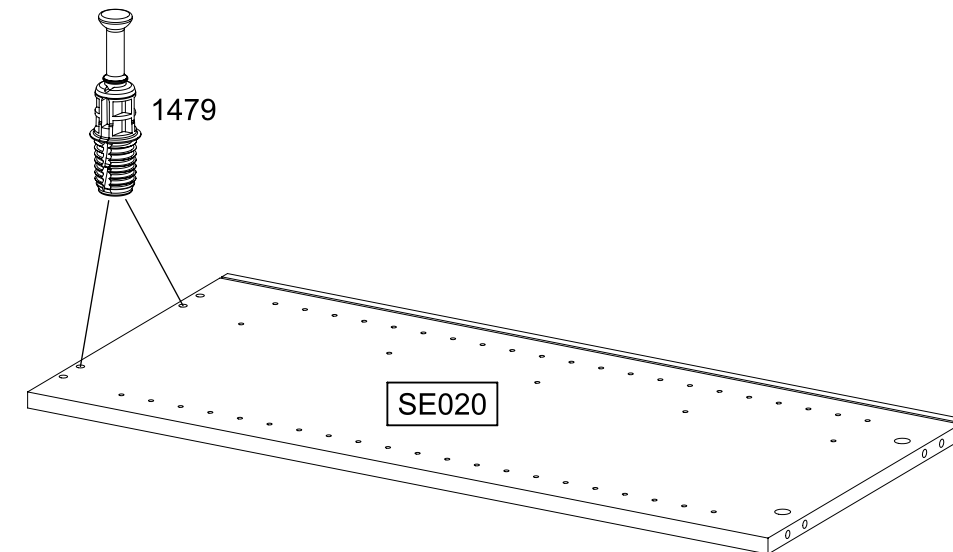
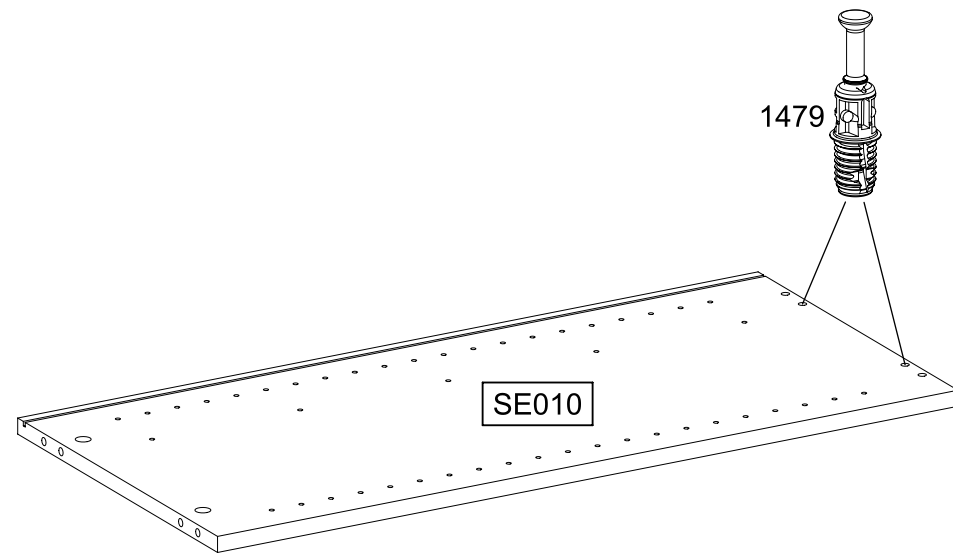
2.

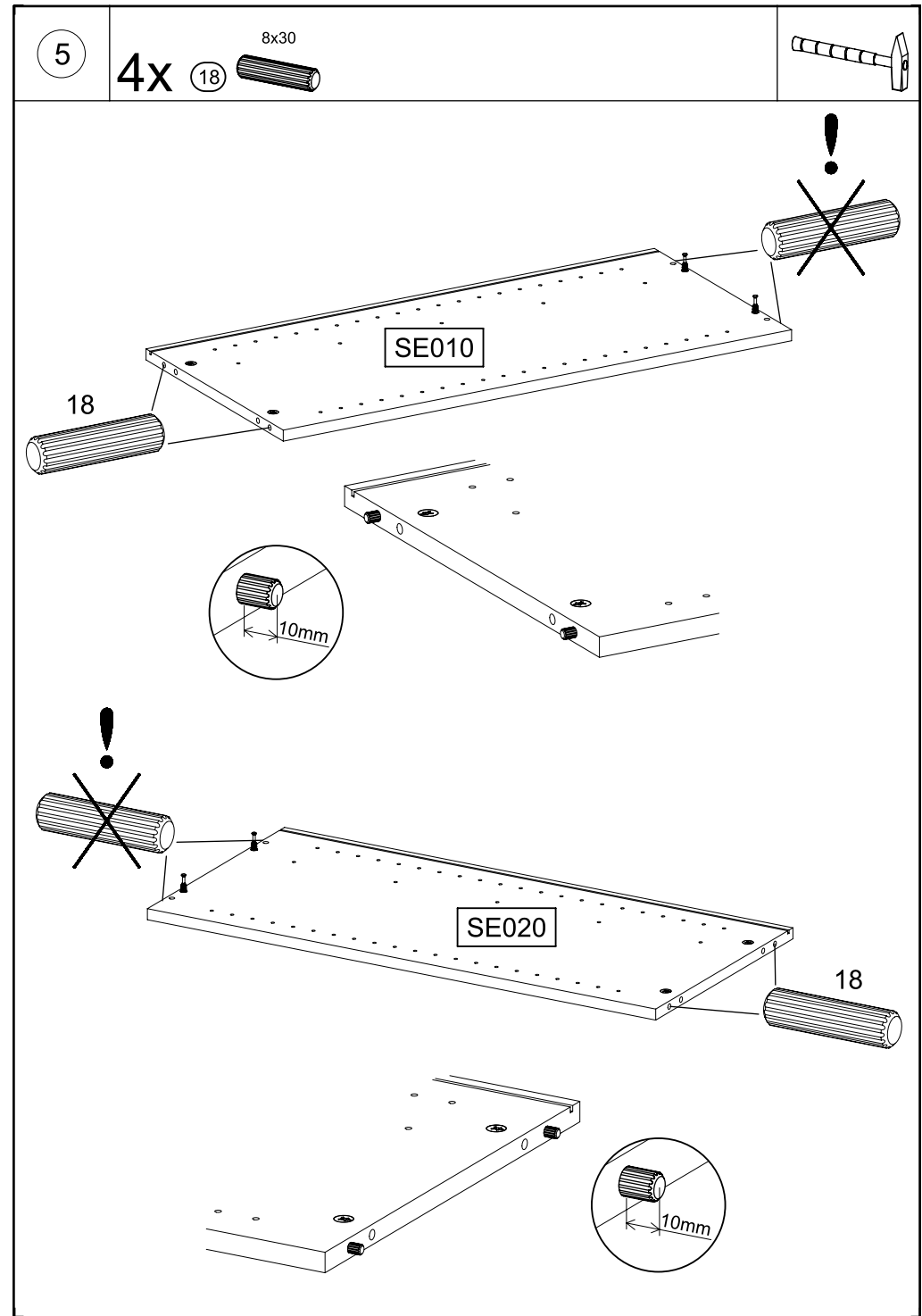
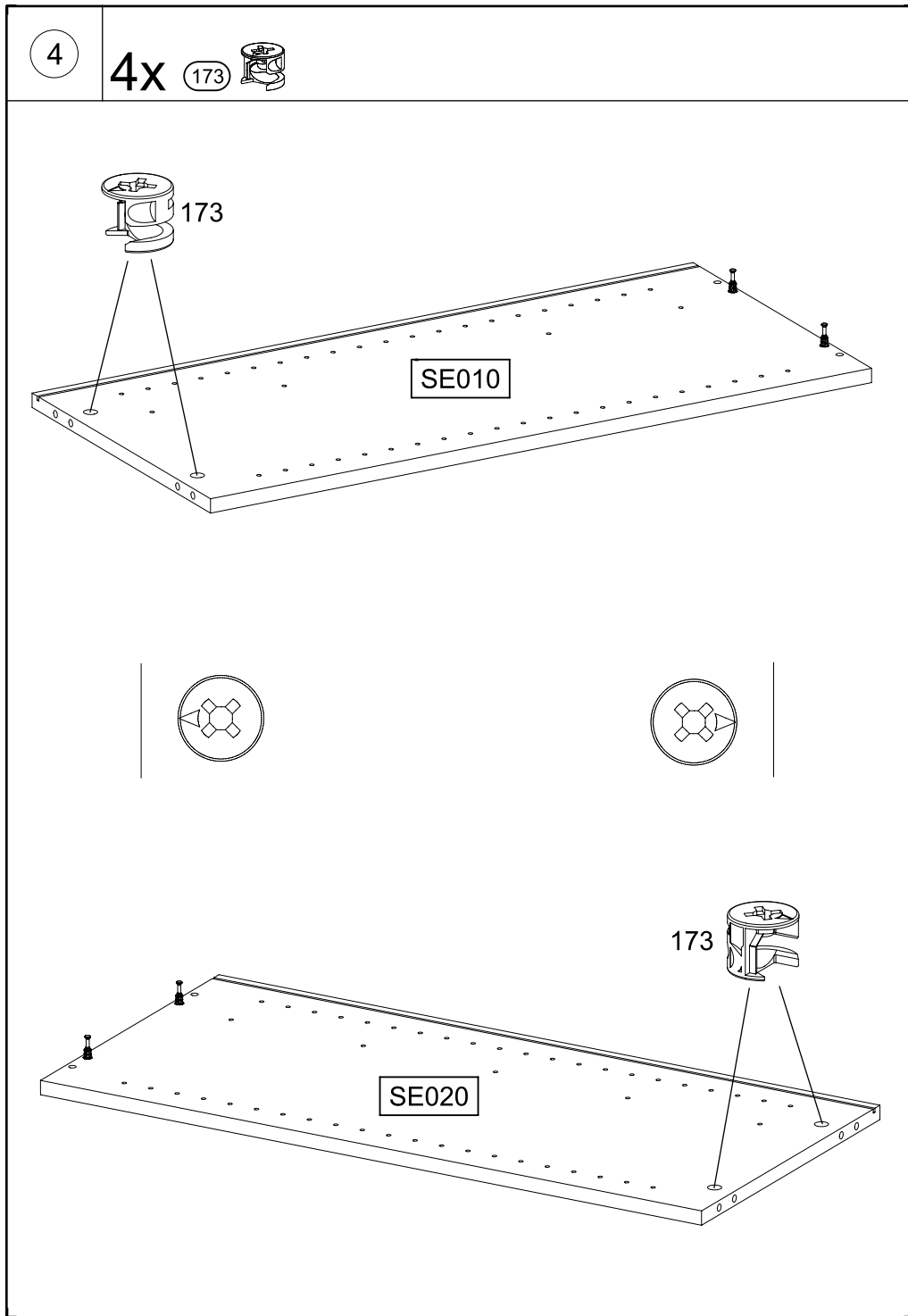


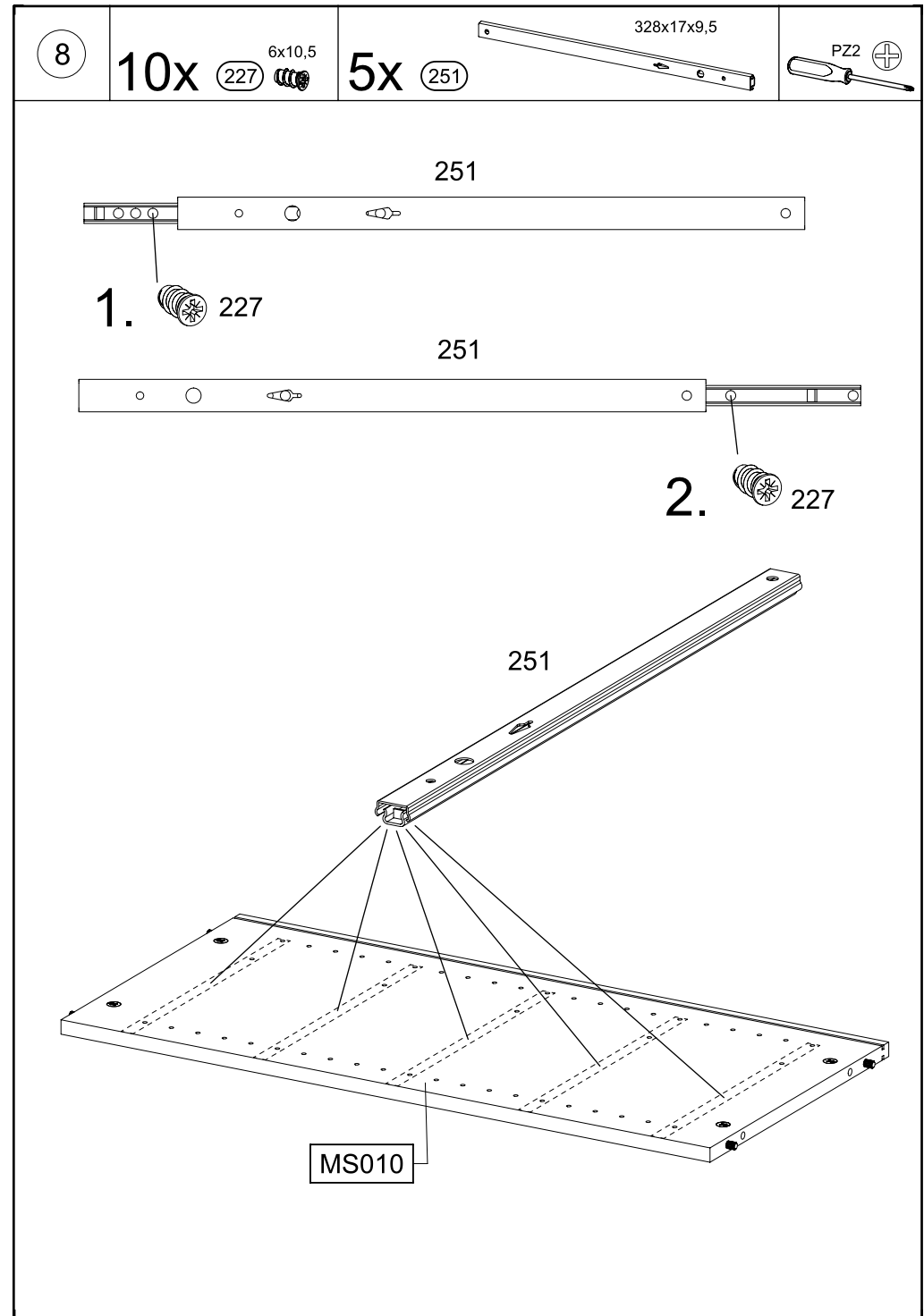
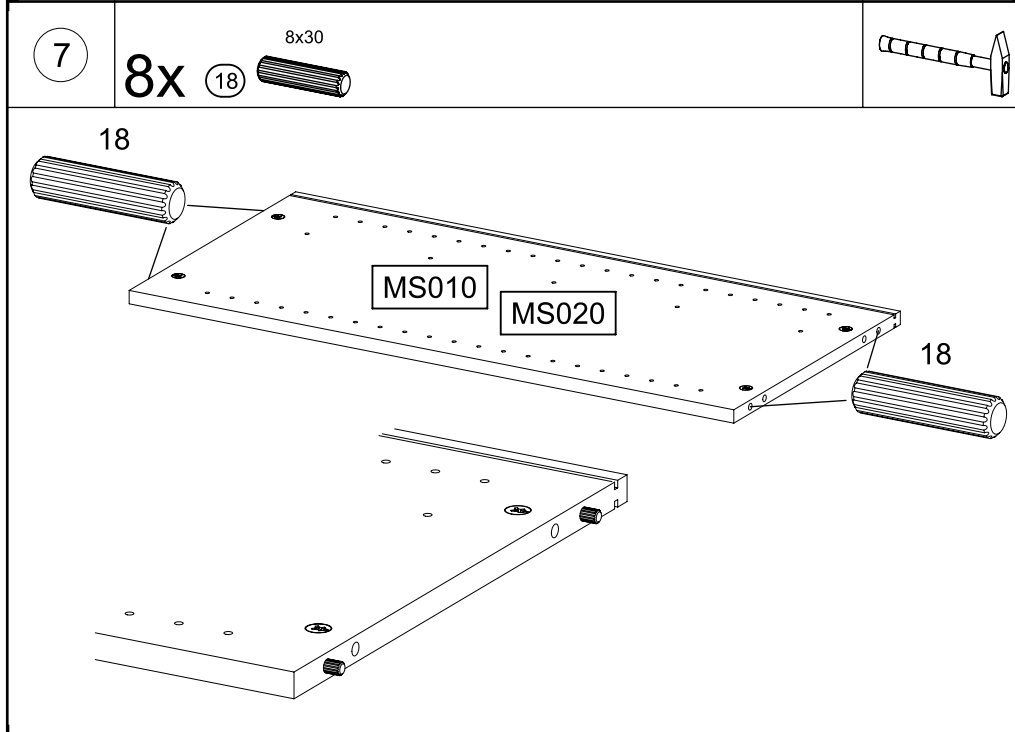
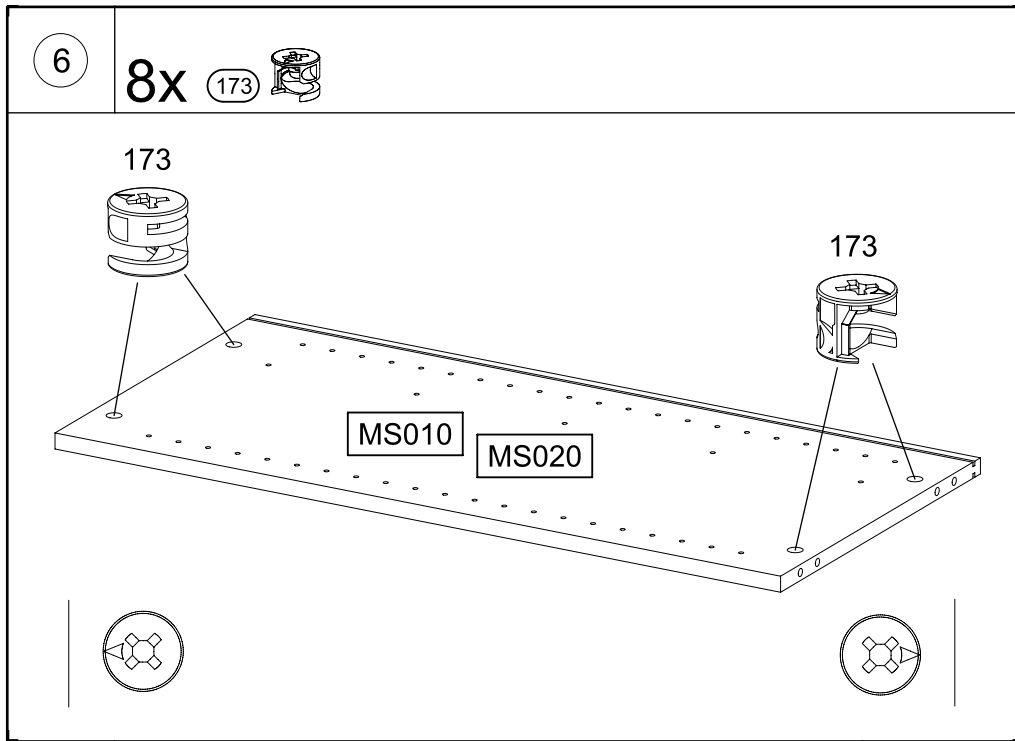
3

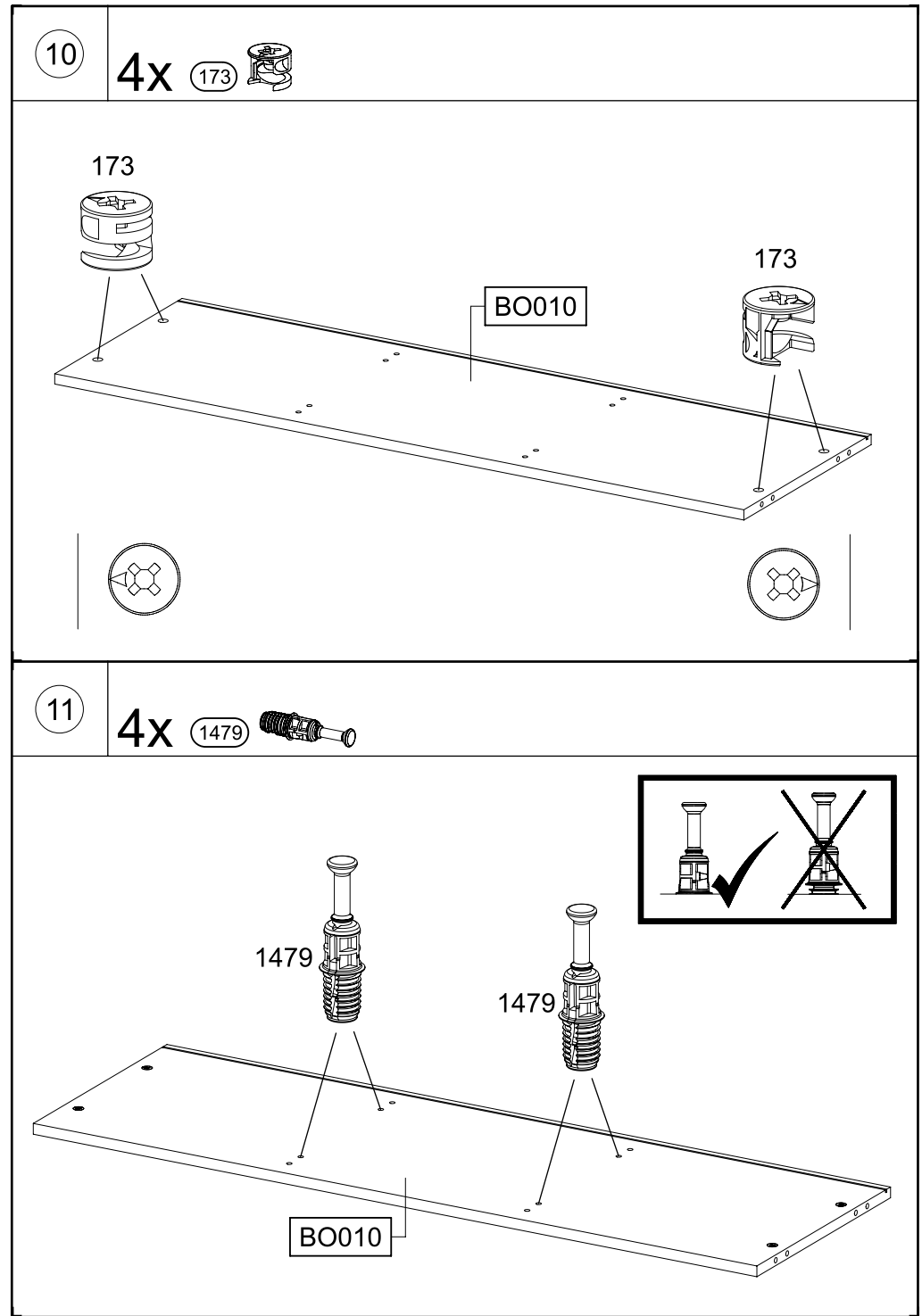
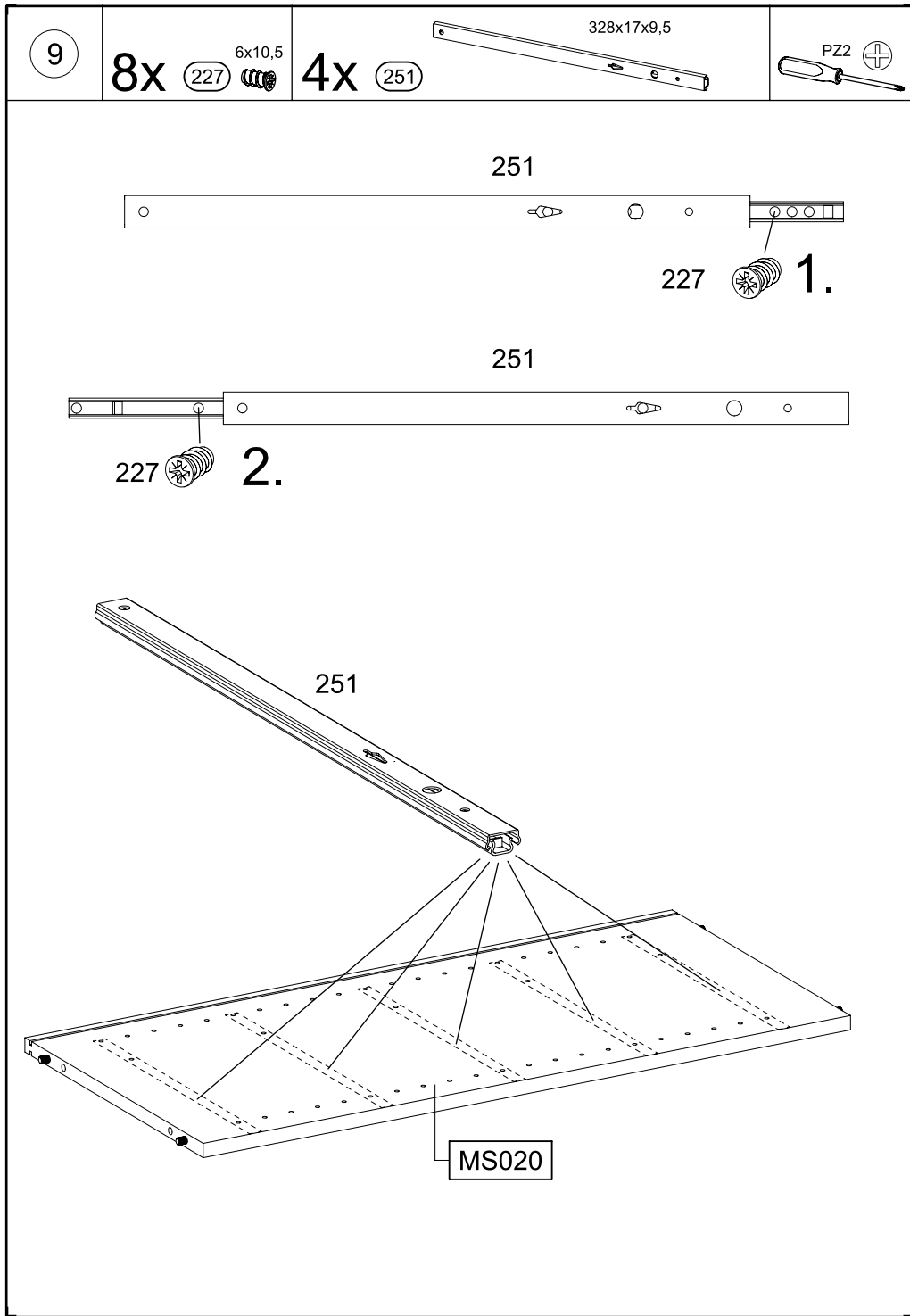
4x

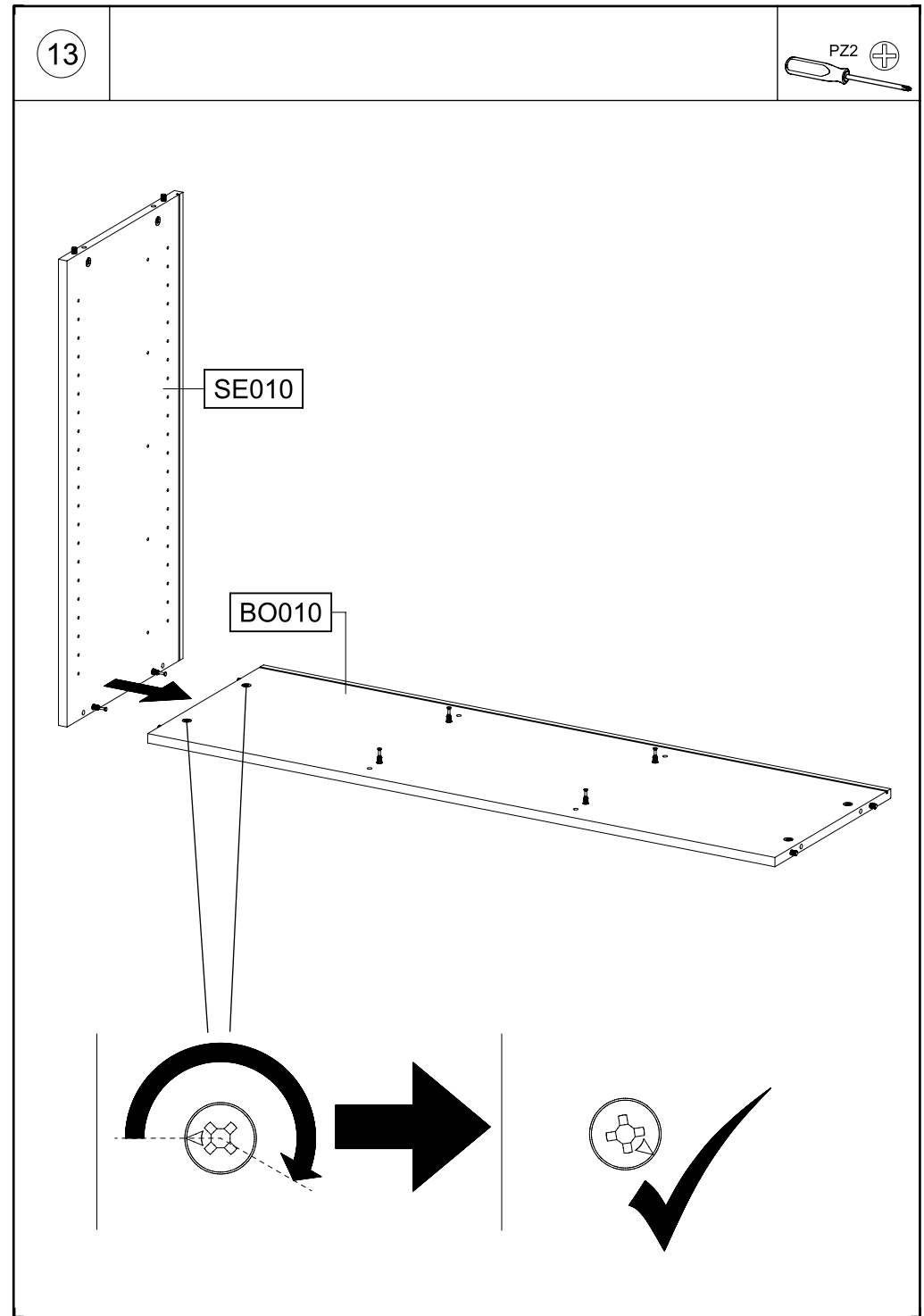
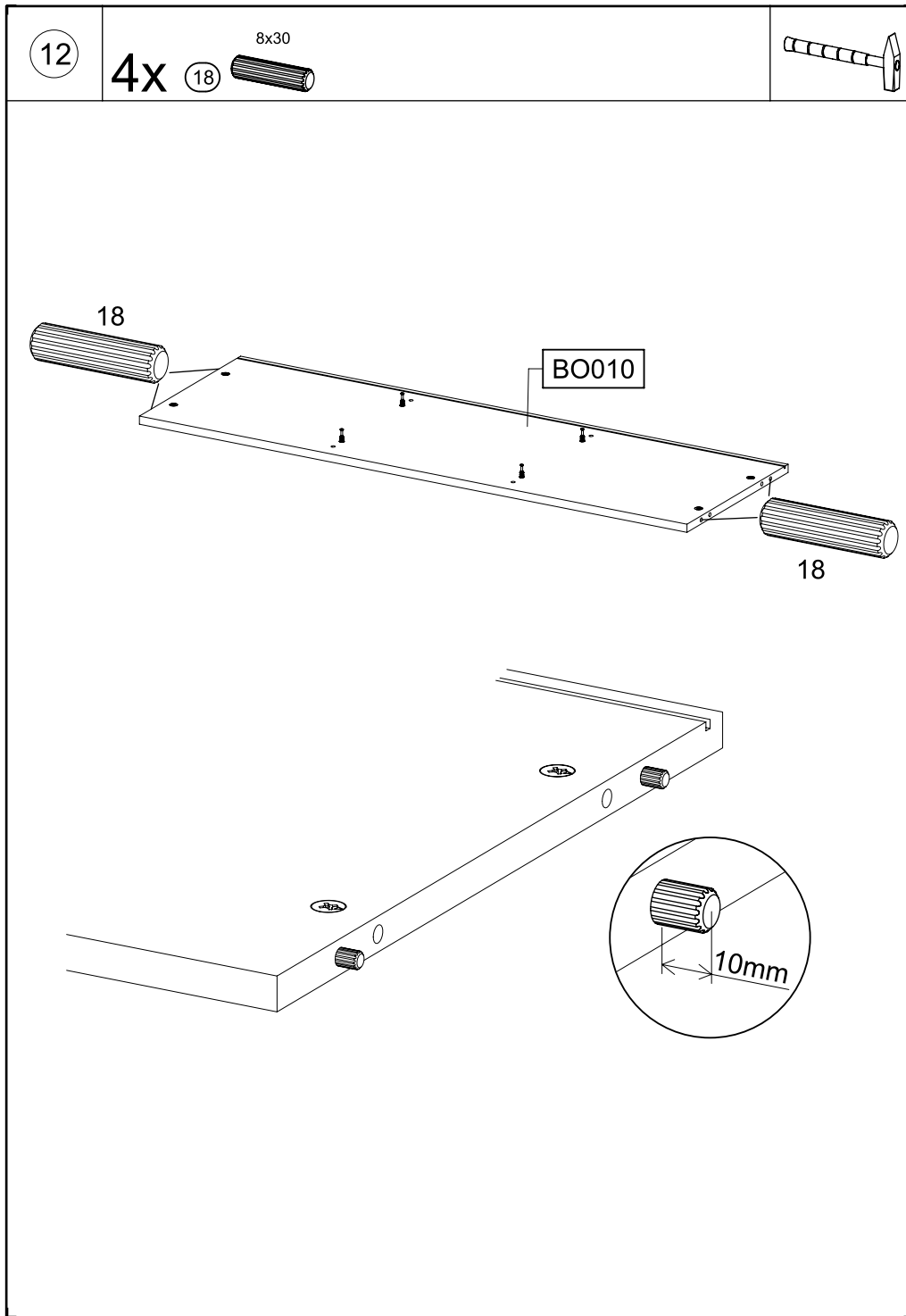
1479



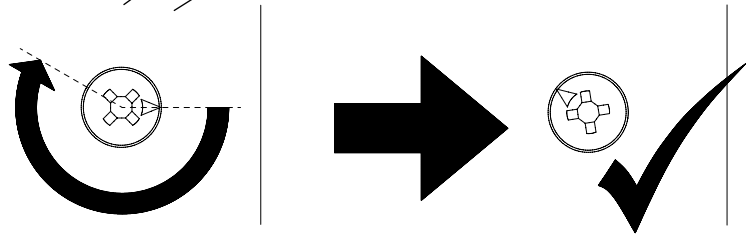
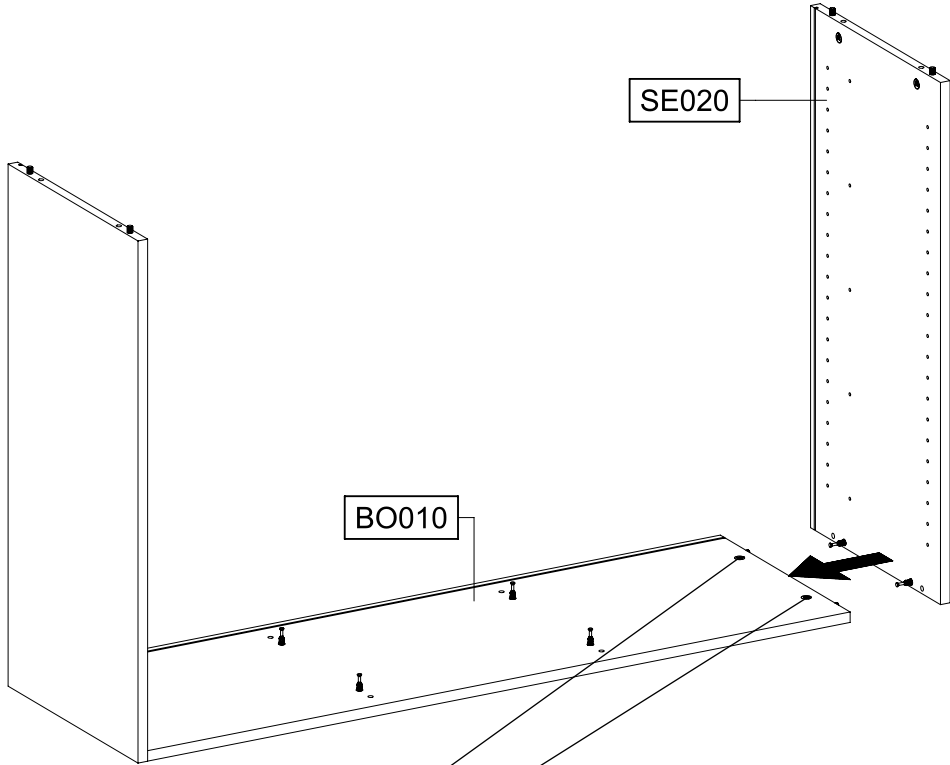
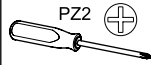




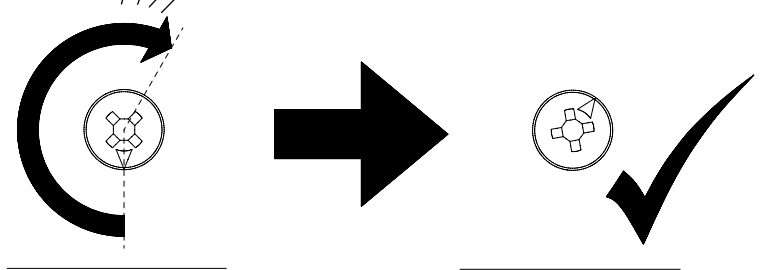
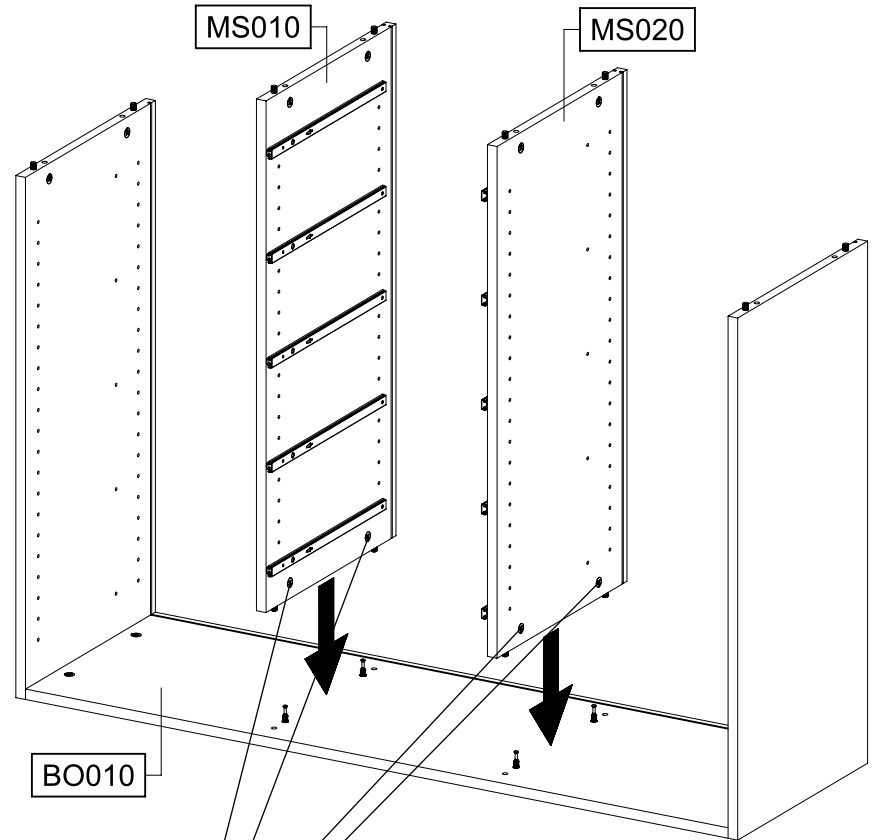
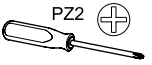




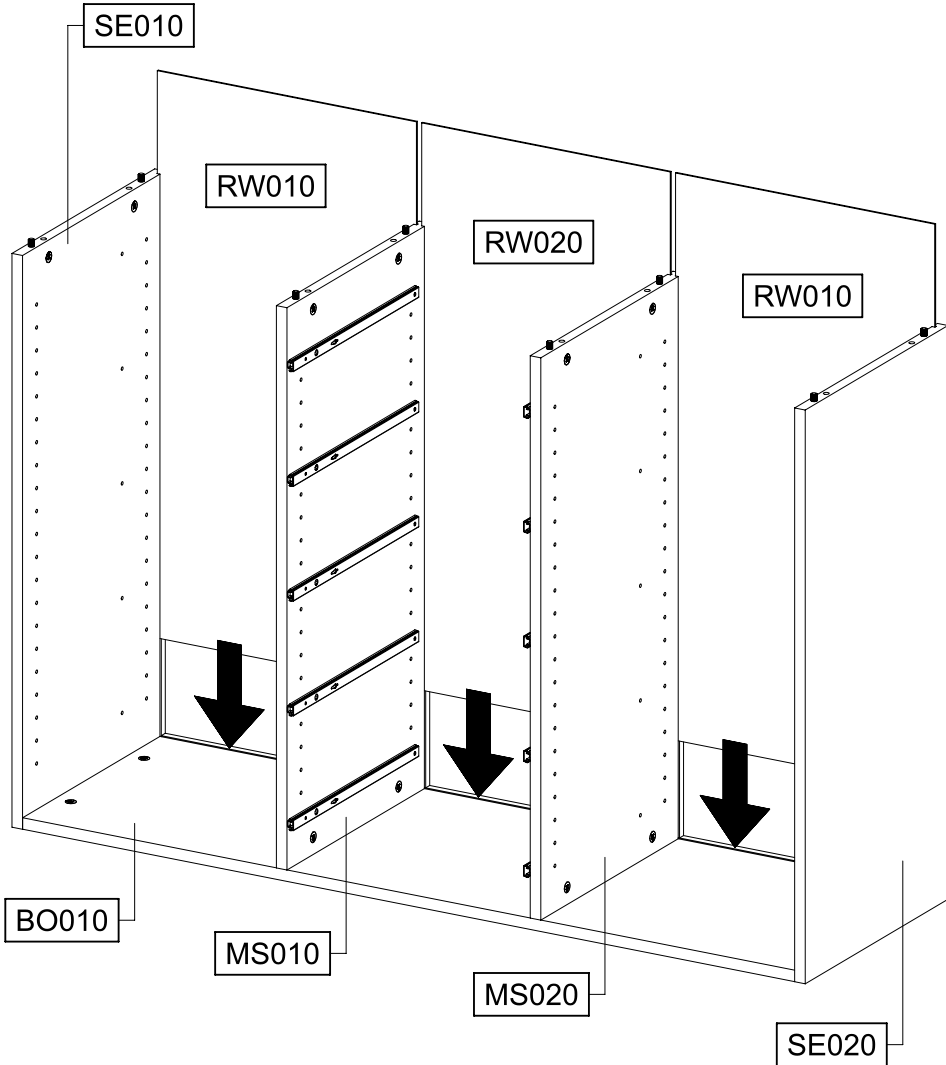
14



15

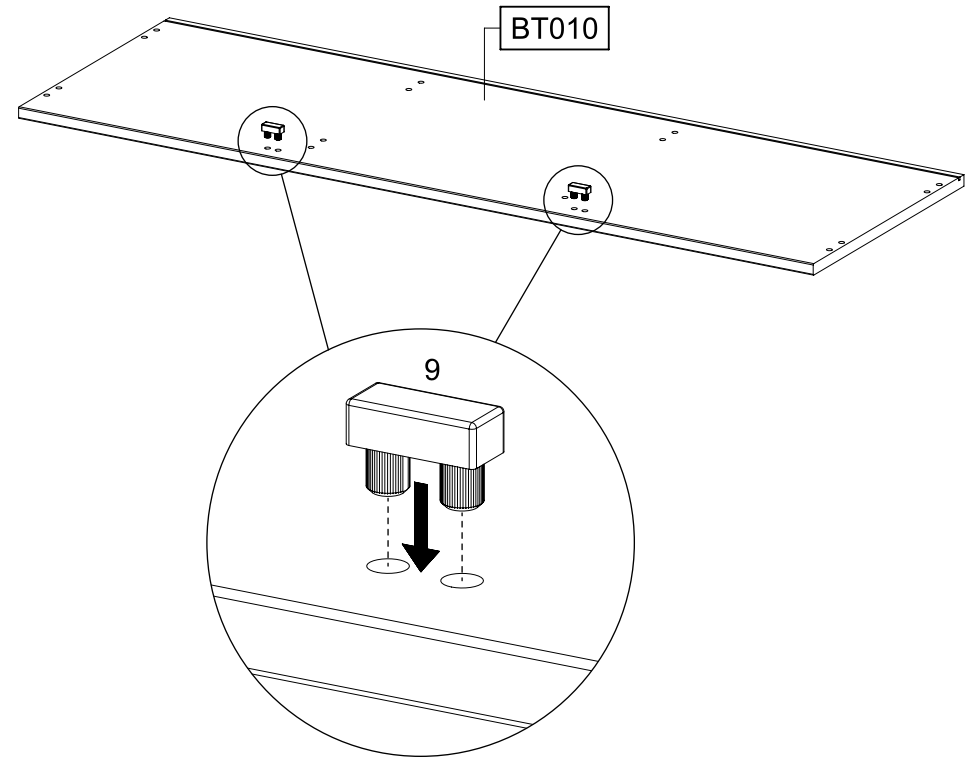
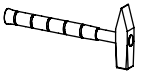


16



17

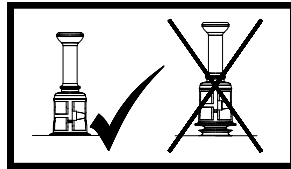
28x12x9
 2x 9



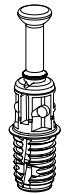
18

8x

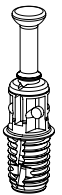
1479



1479



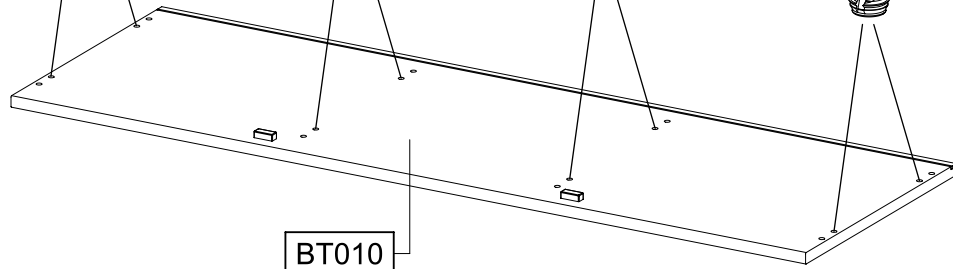
1479



1479

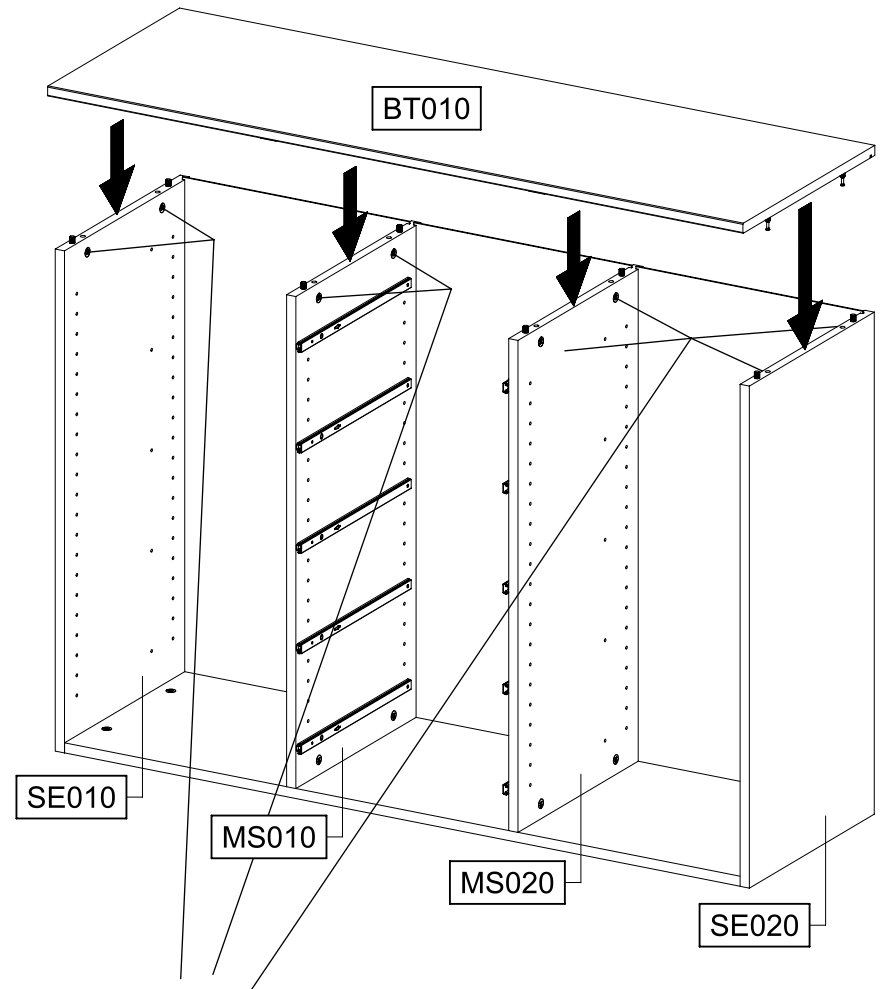
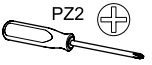


1479



BT010

19



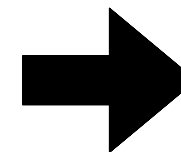
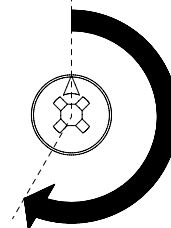
BT010

SE010

MS010

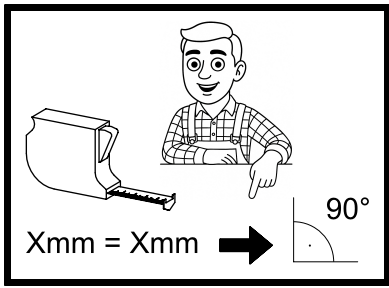
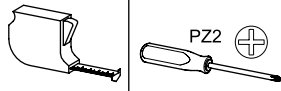
MS020

SE020

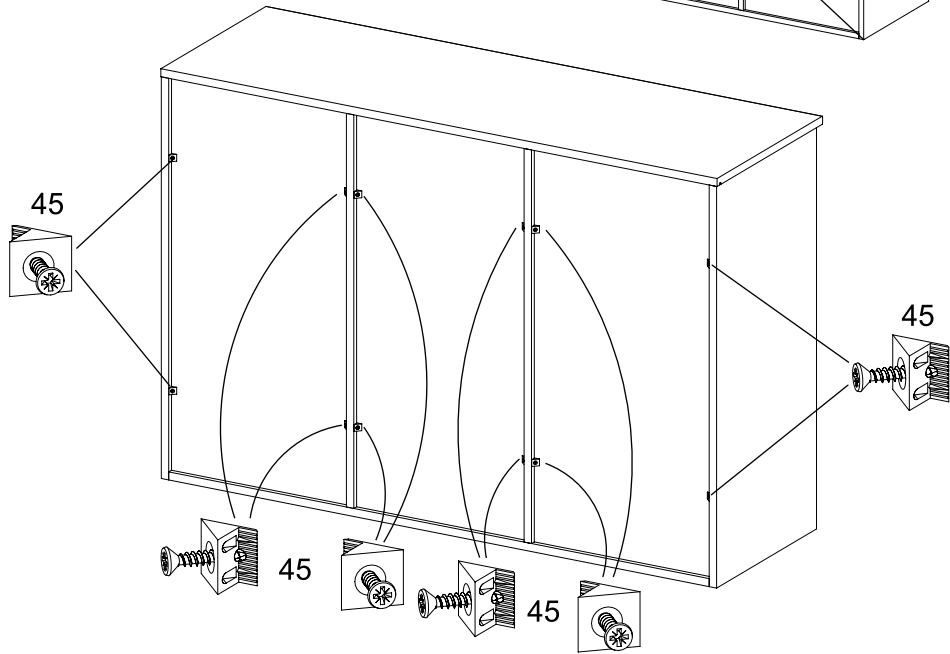
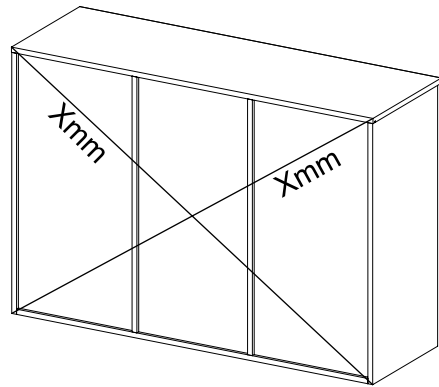


20

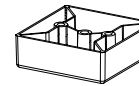
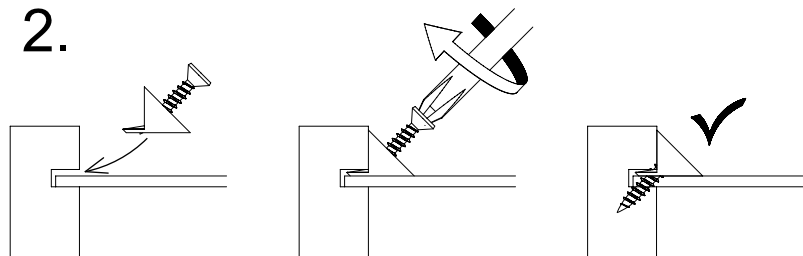
8x 45



1.



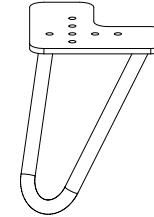
2.



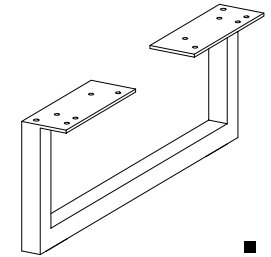
1207



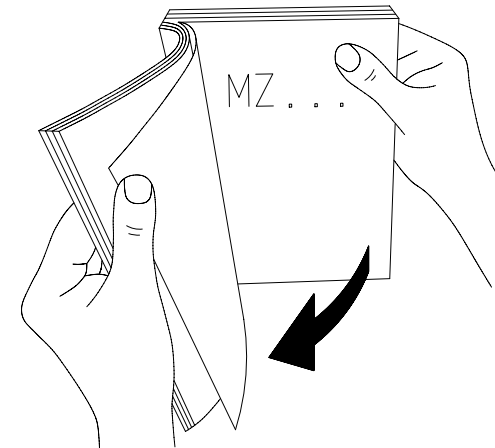
1481



1345



1348

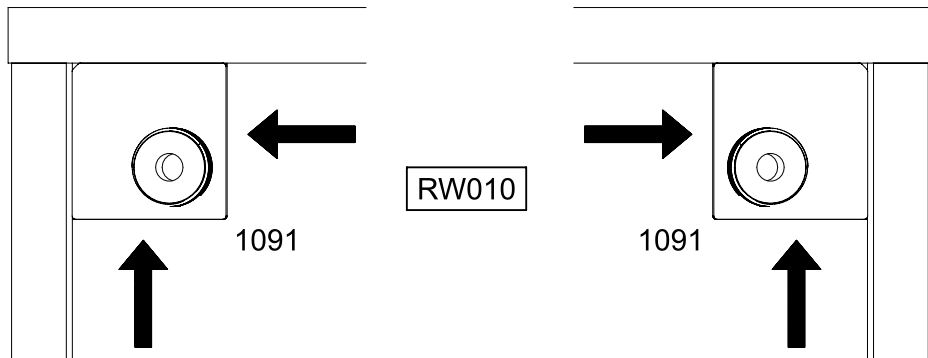
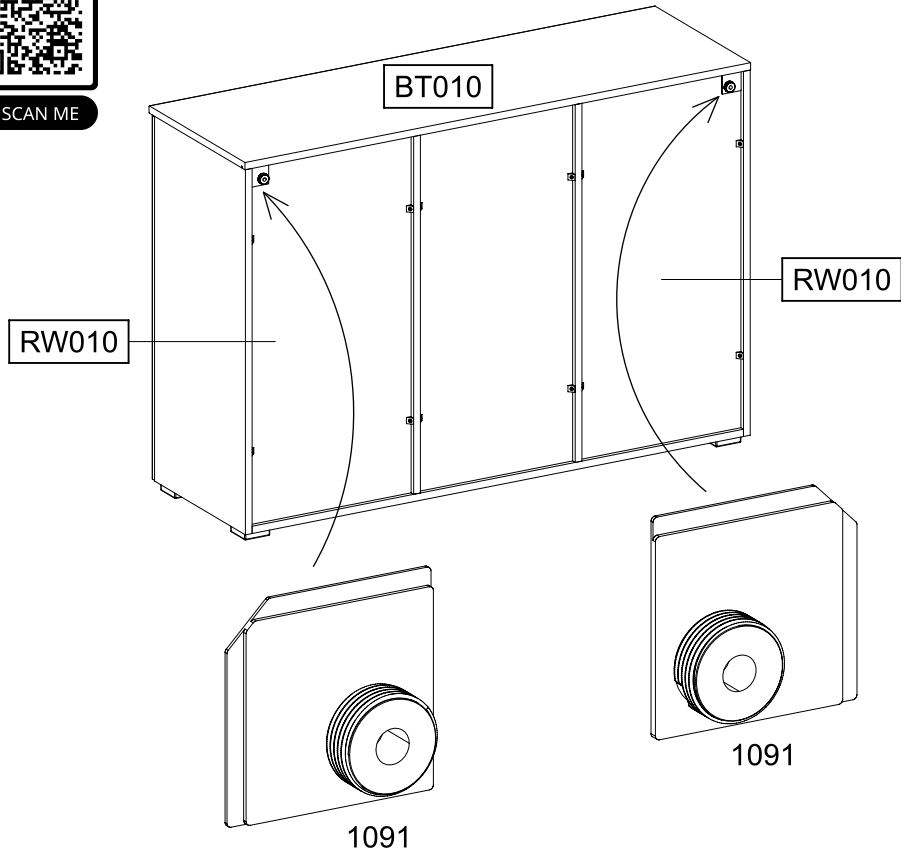


21

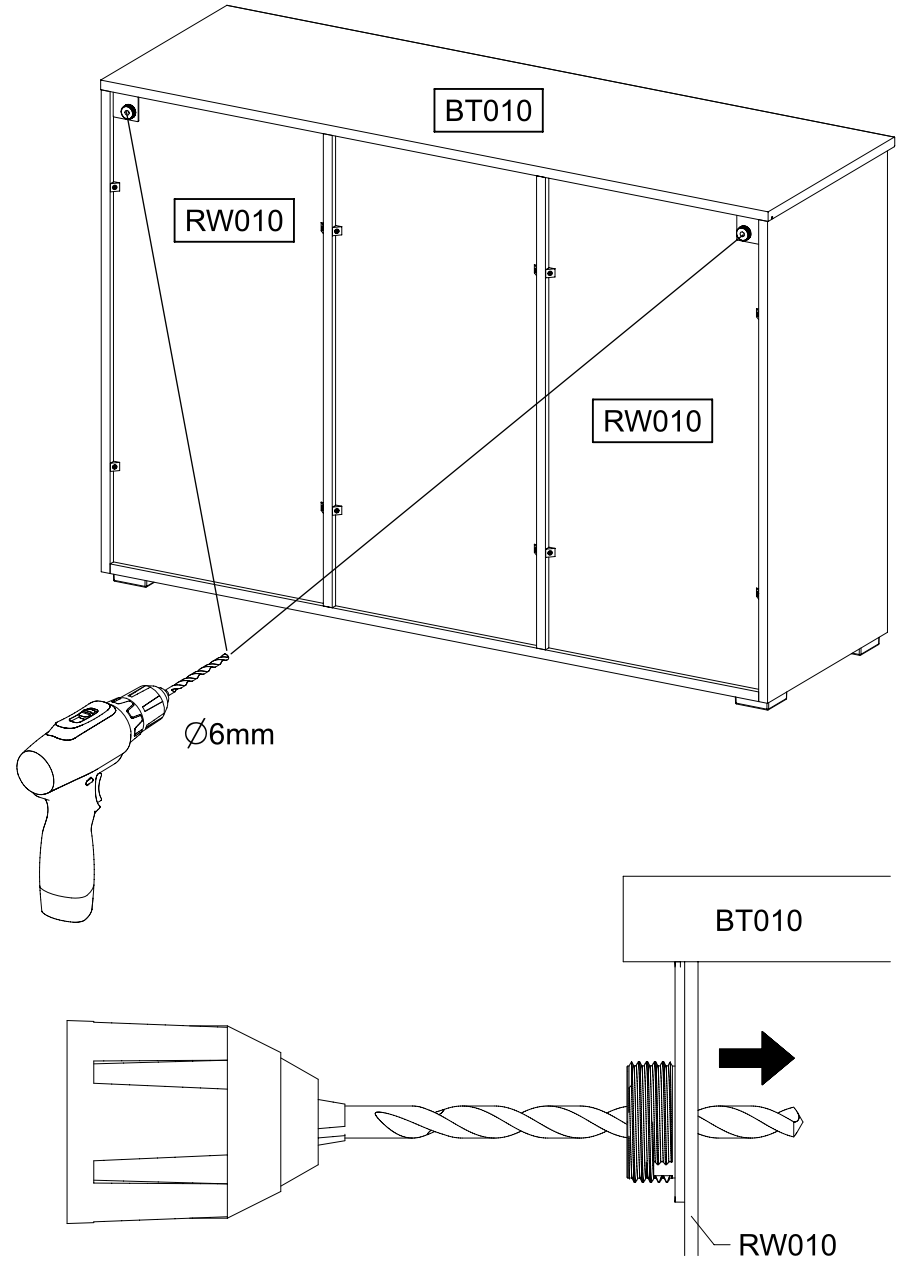
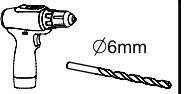
2x 1091



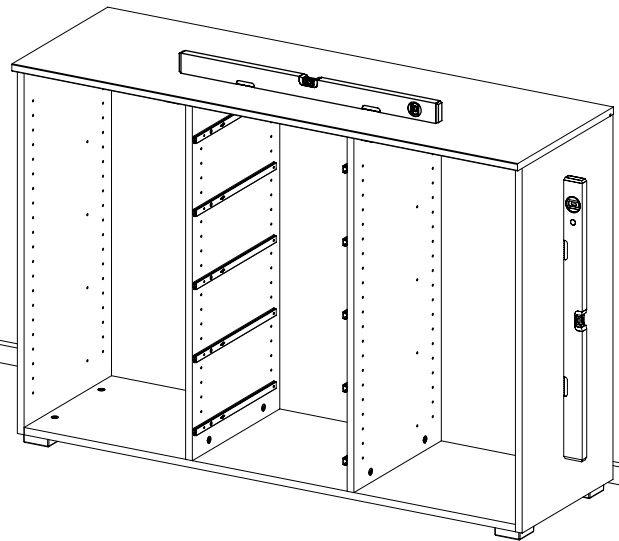
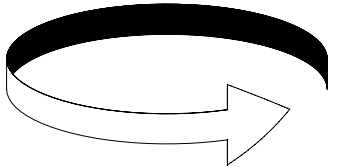
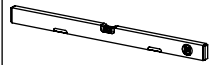
SCAN ME



22



23

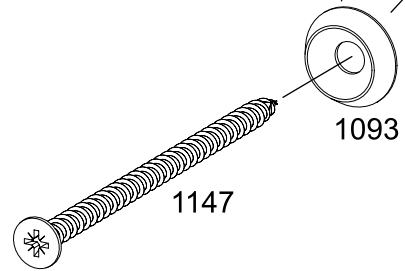
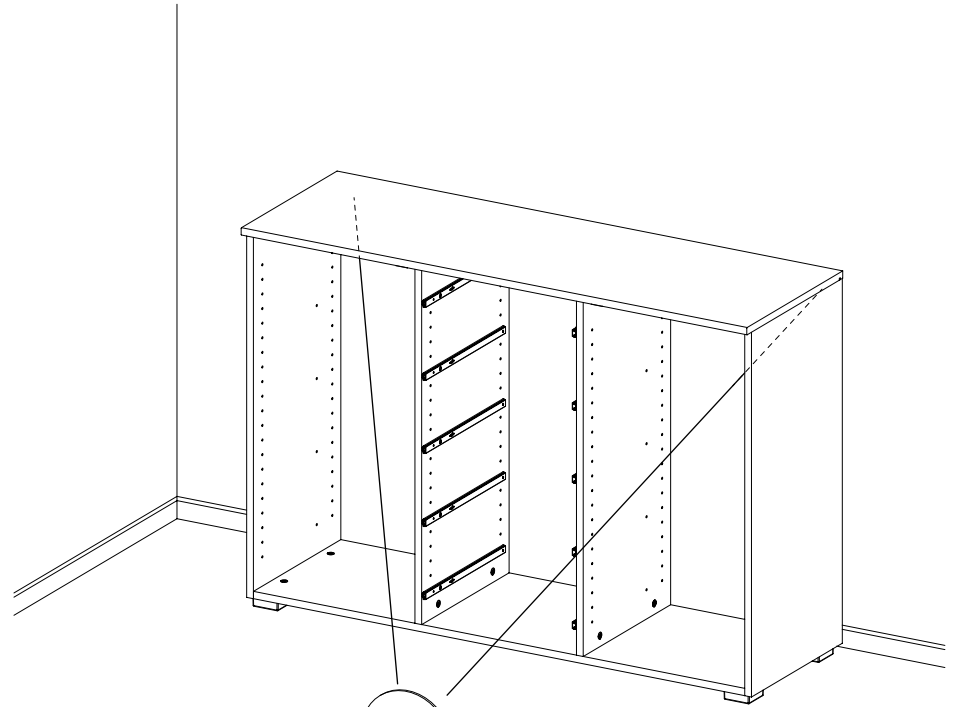
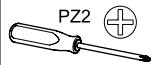
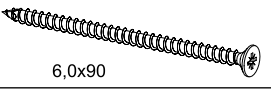


24

2x 1093

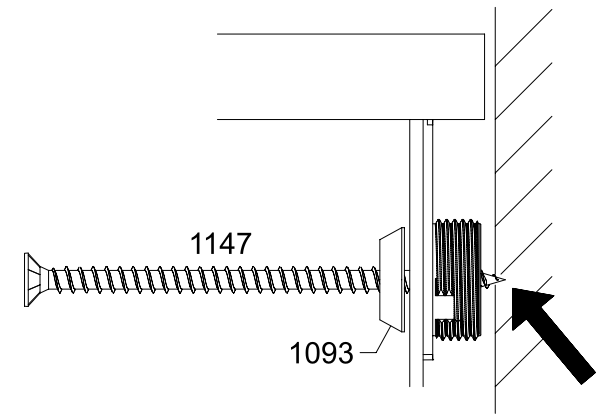


2x 1147



1093

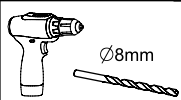
1147



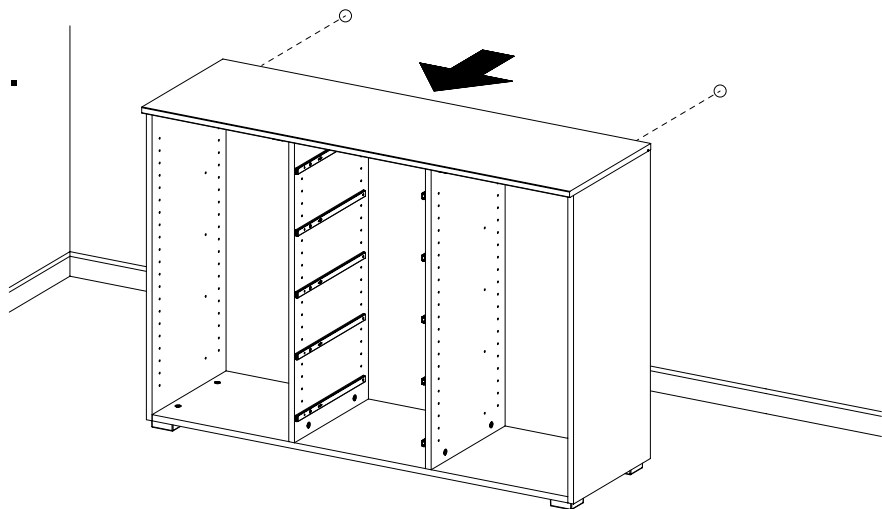
1147

1093

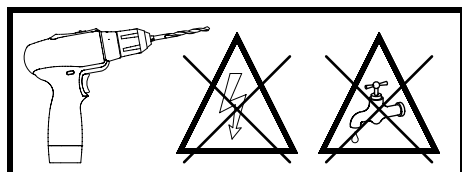
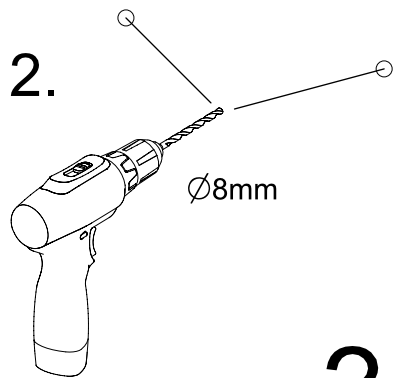
25



1.

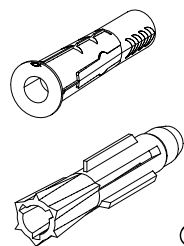
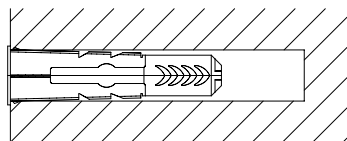


2.



?

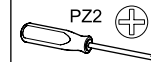
3.



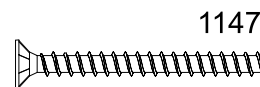
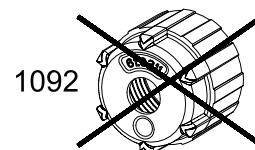
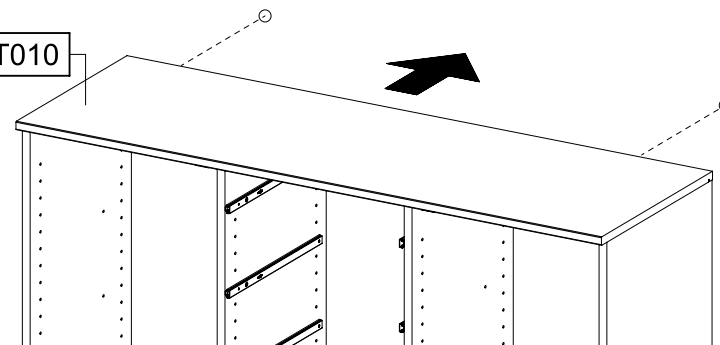
Ø8mm

26

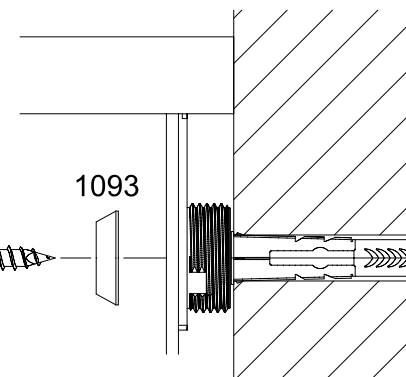
2x 1092



BT010



1093

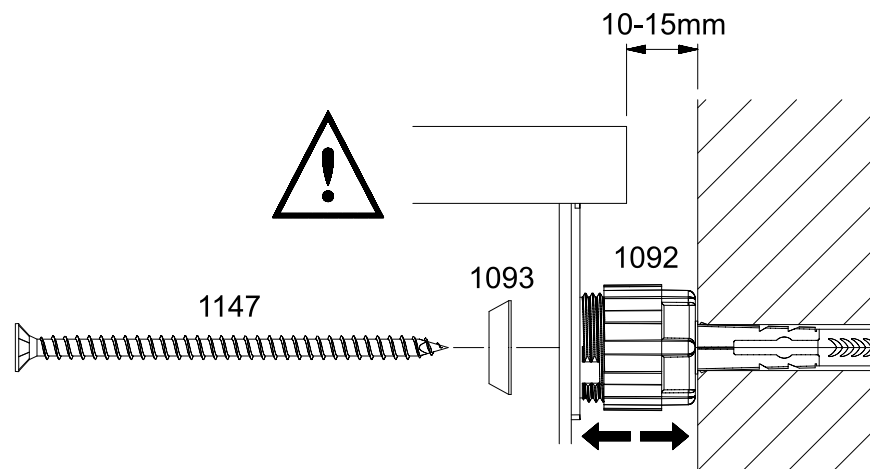


1147

1093

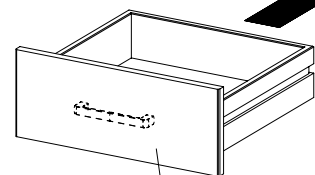
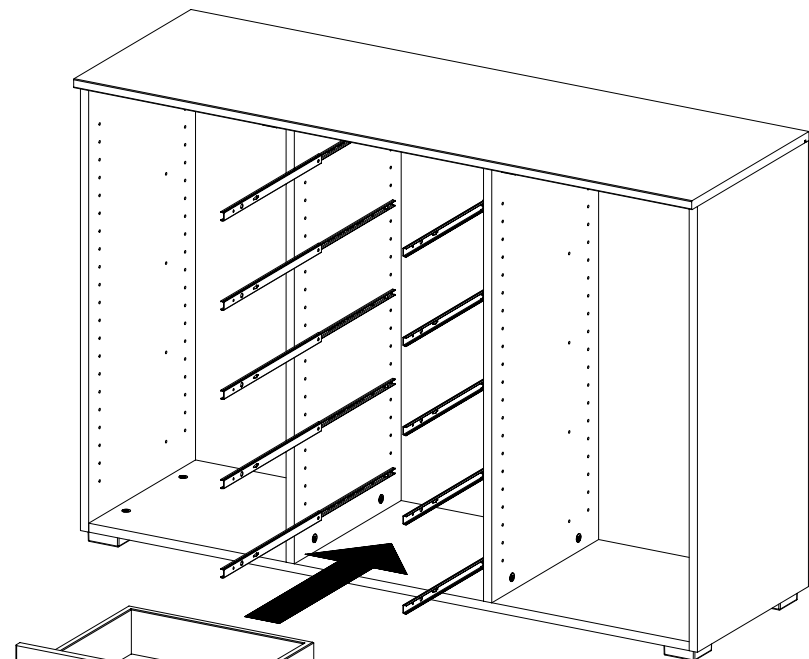
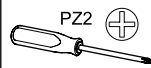
10-15mm

1092

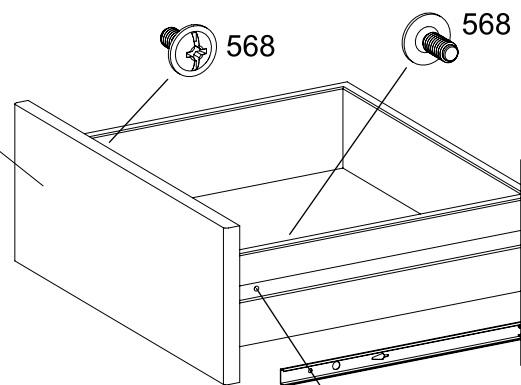


27

10x M4x9 568

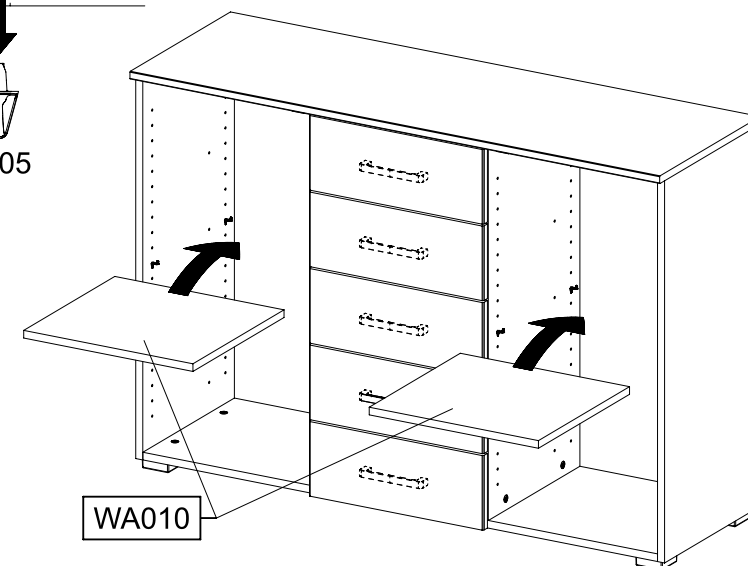
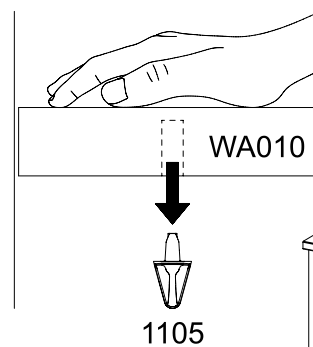
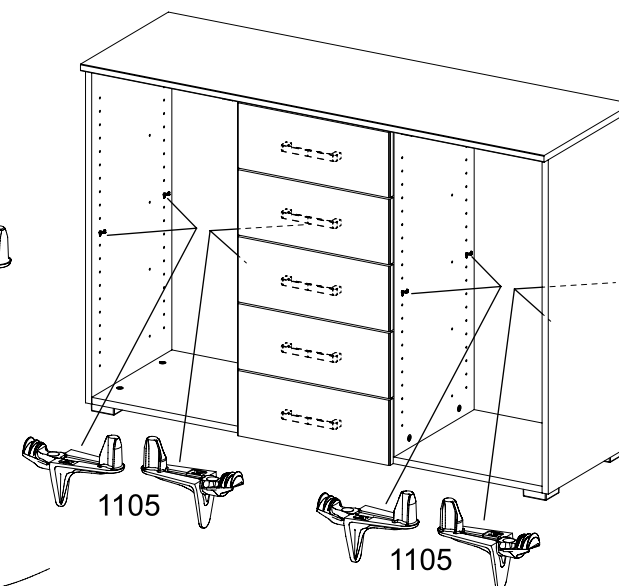
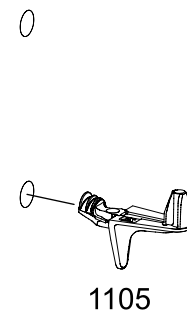
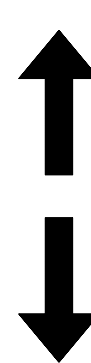


SK010
SK020
SK030
SK040
SK050



28

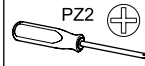
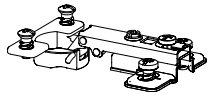
8x 1105



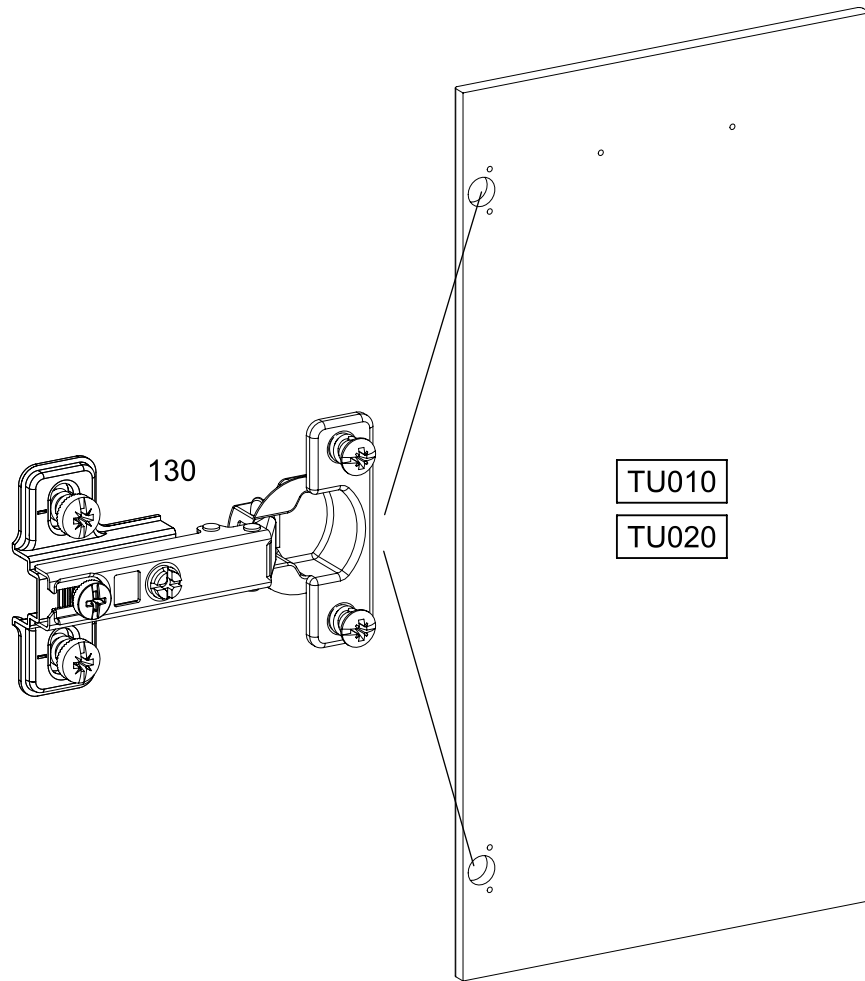
29

4x

130



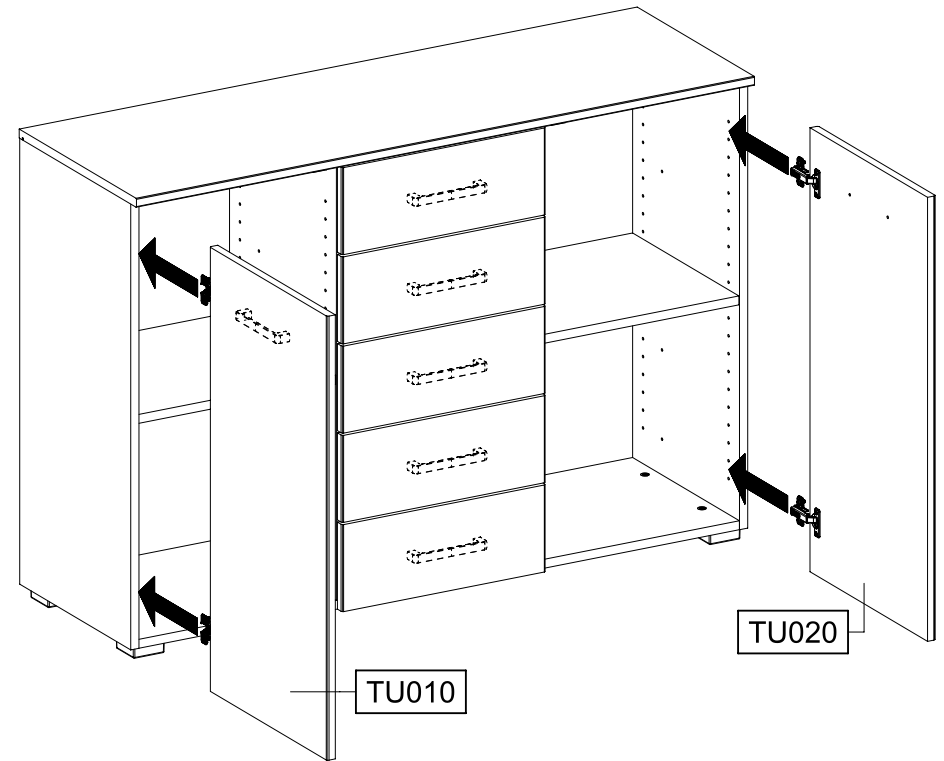
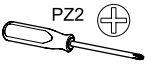
SCAN ME



TU010

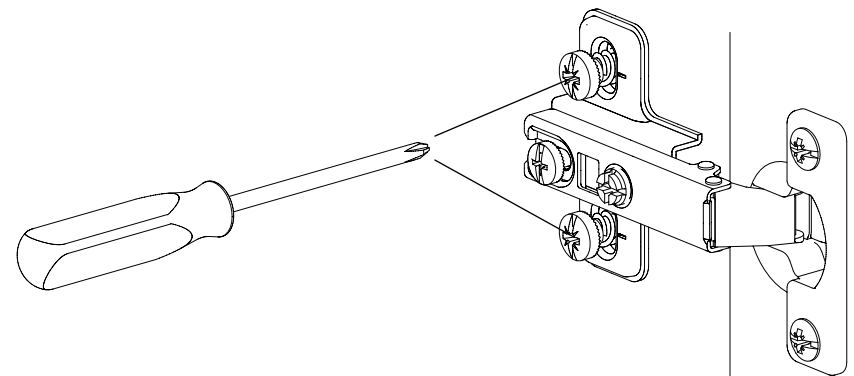
TU020

30

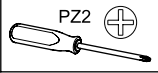


TU010

TU020



31



SCAN ME

