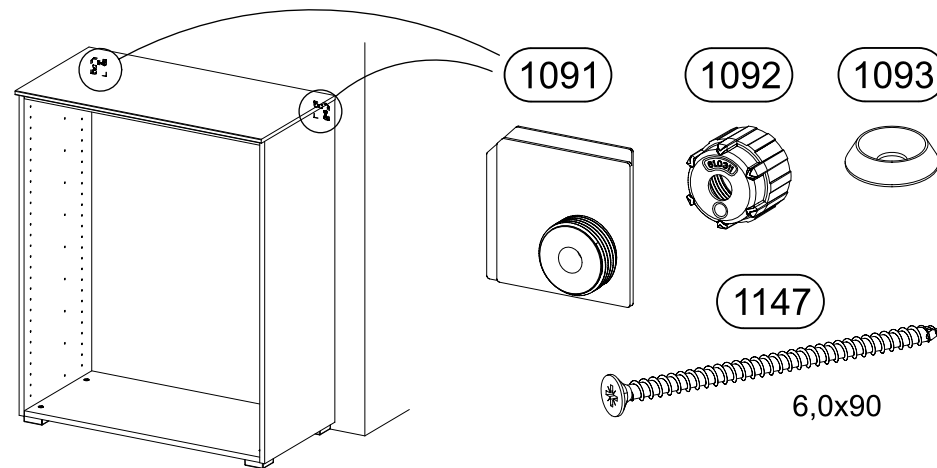
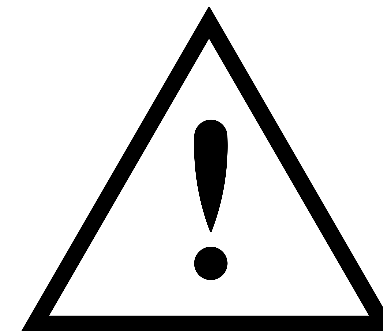
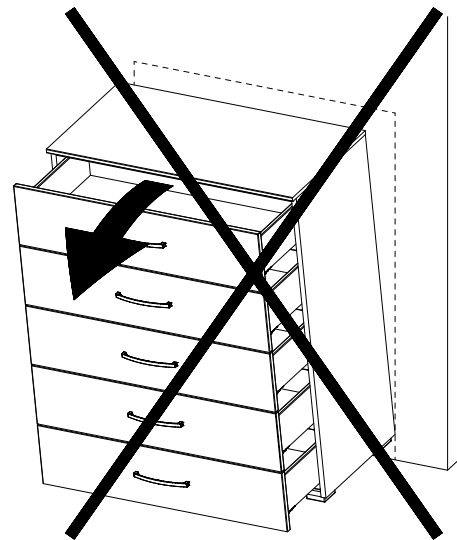
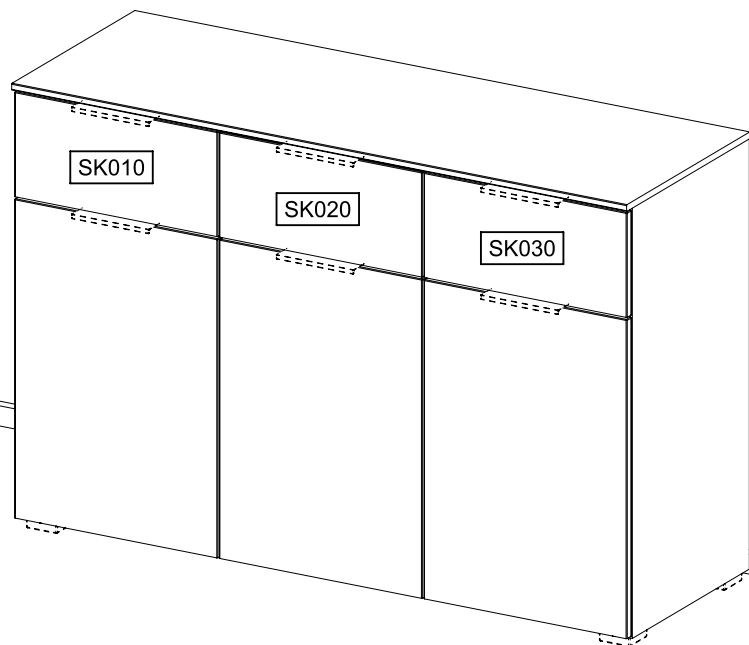
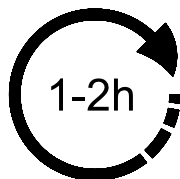
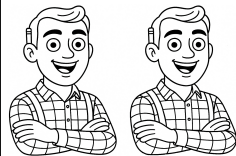
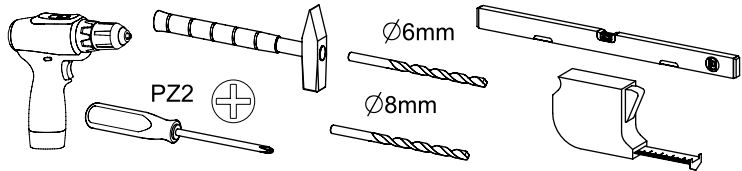


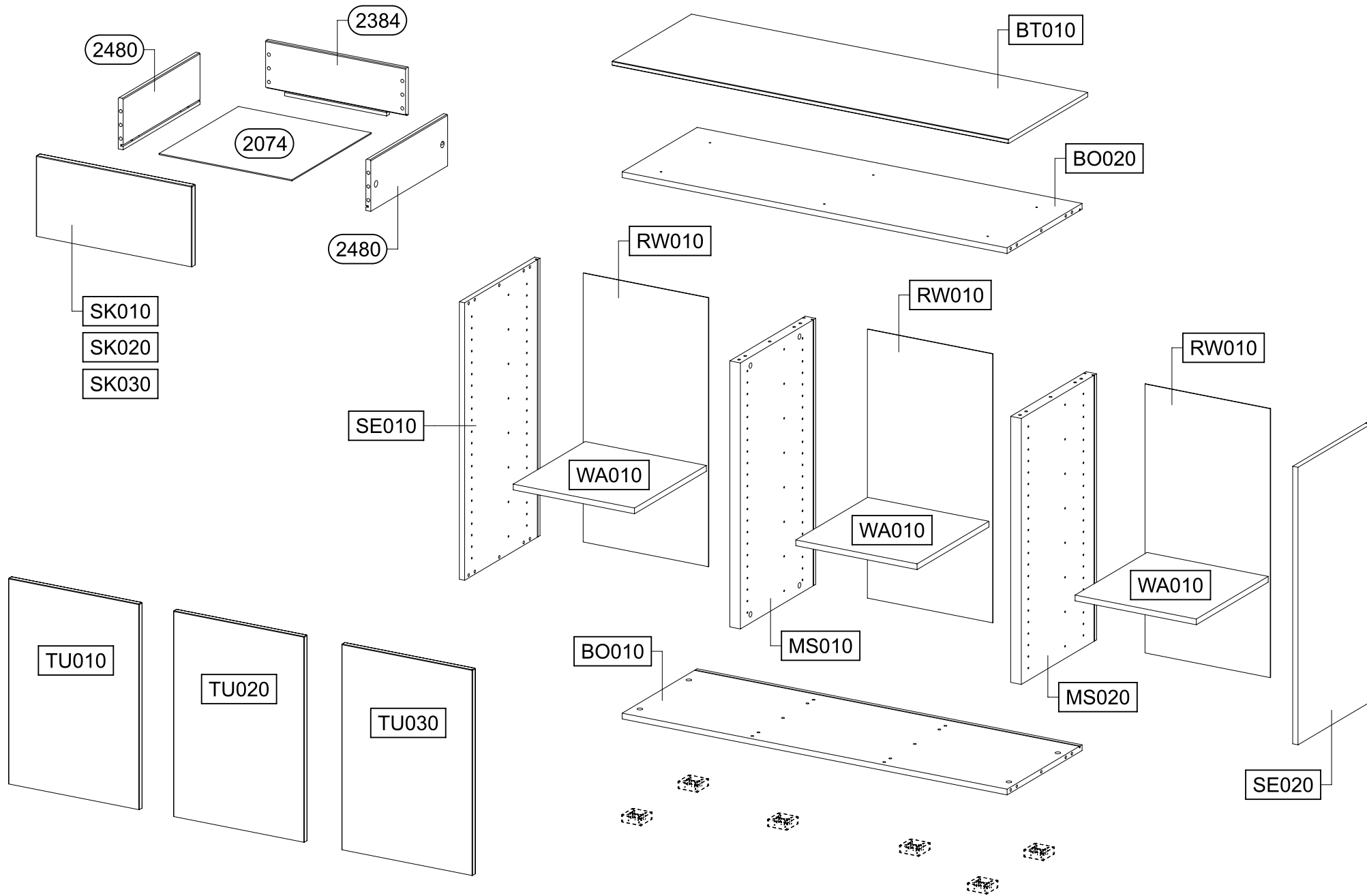
# M3120\_02

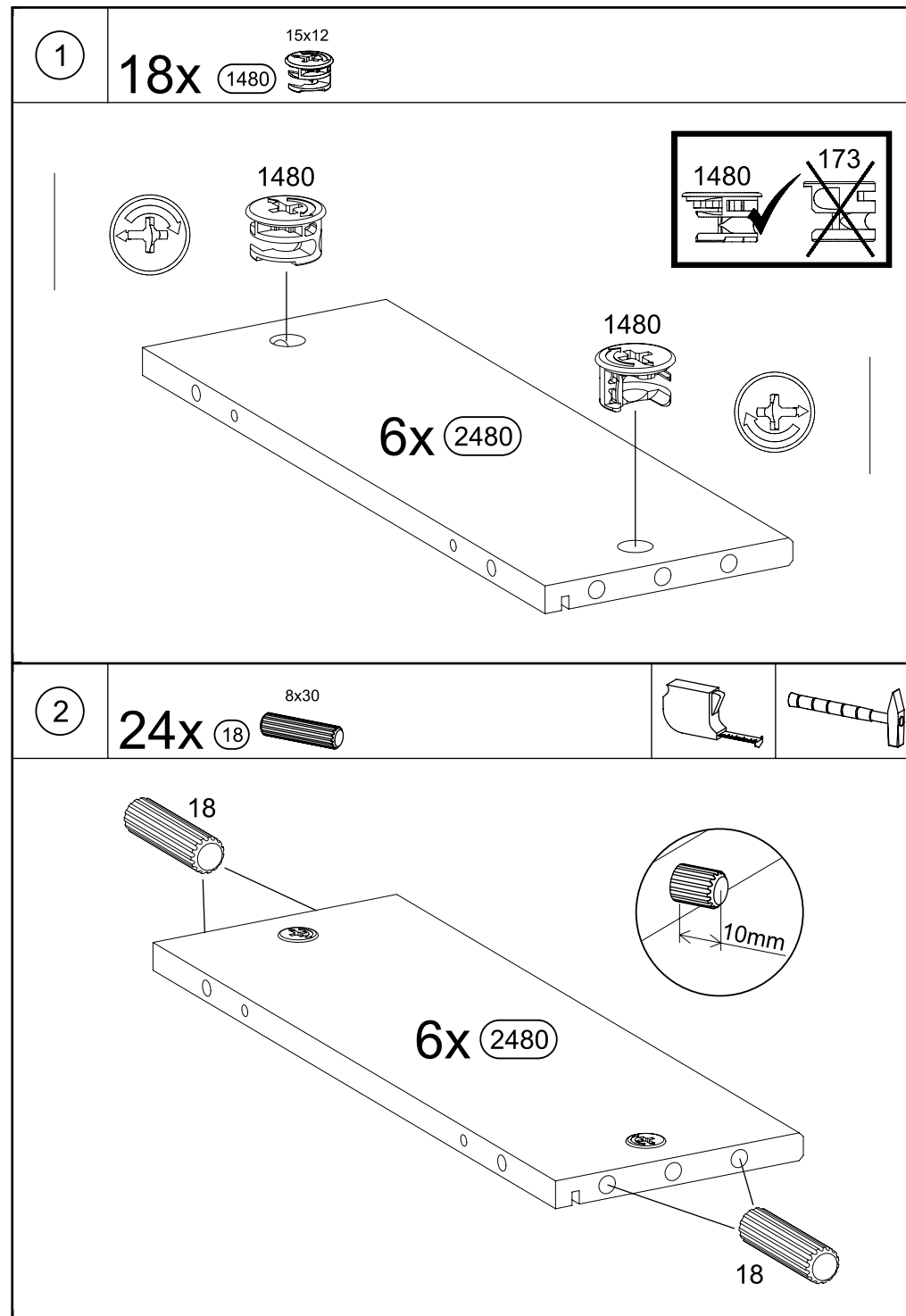
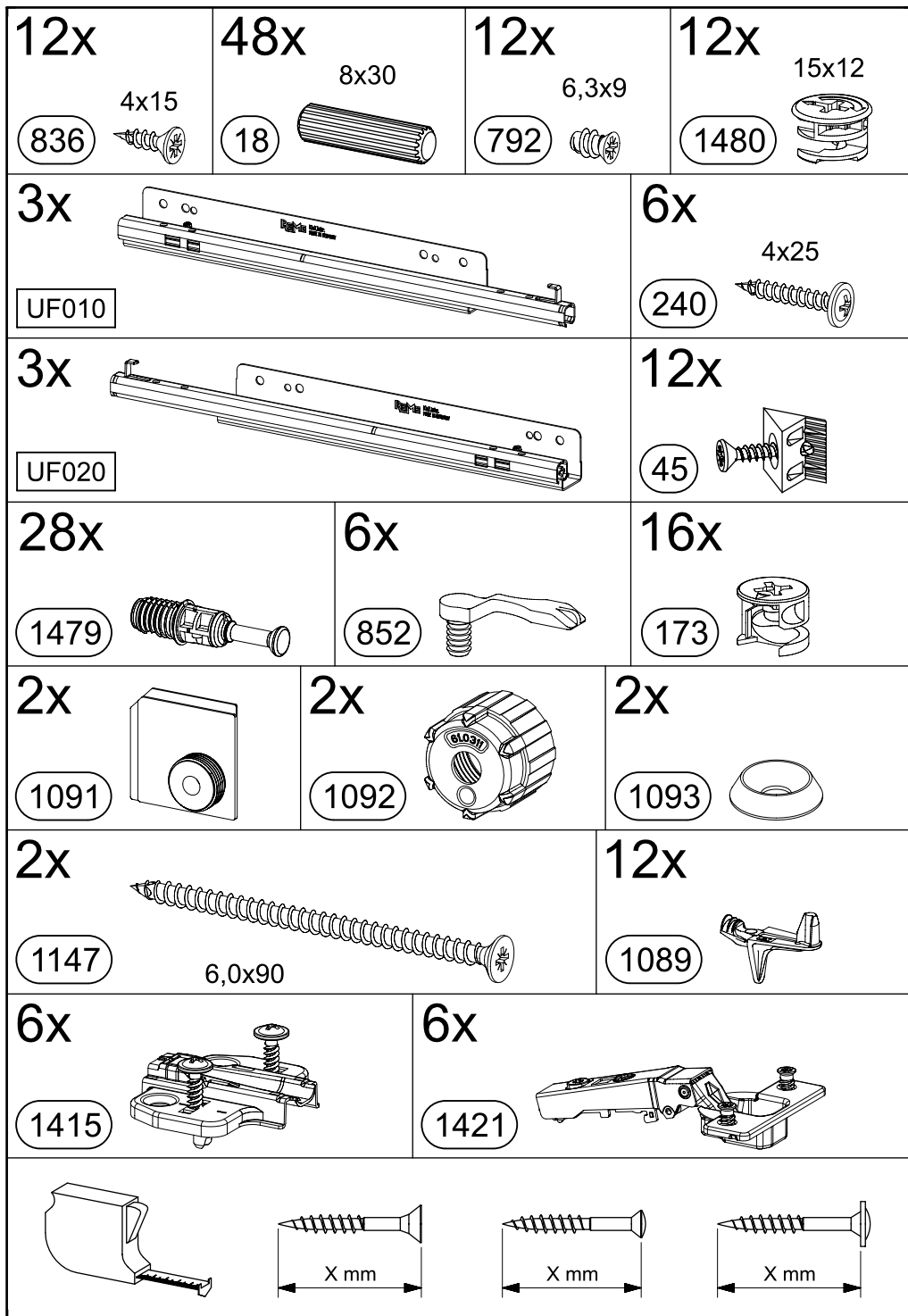


VIDEO



SCAN ME





3

1479 

# Function!



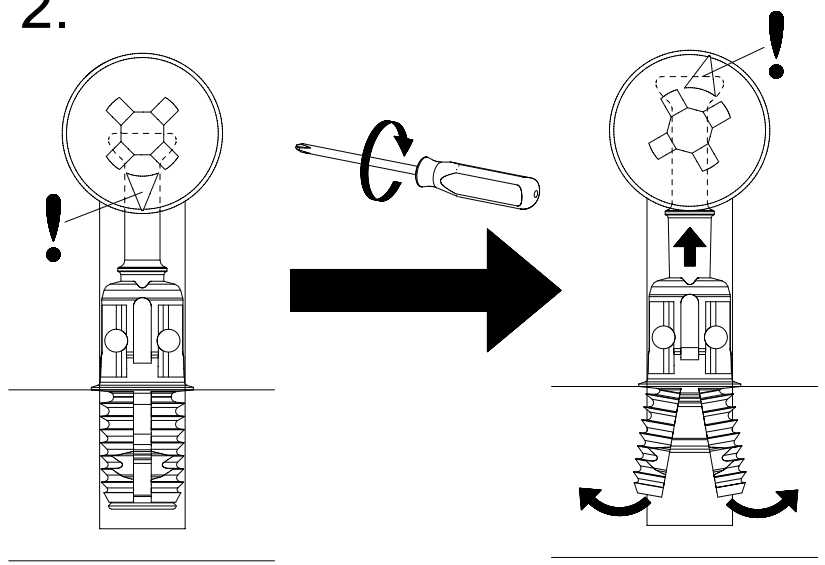
Scan Me



1.

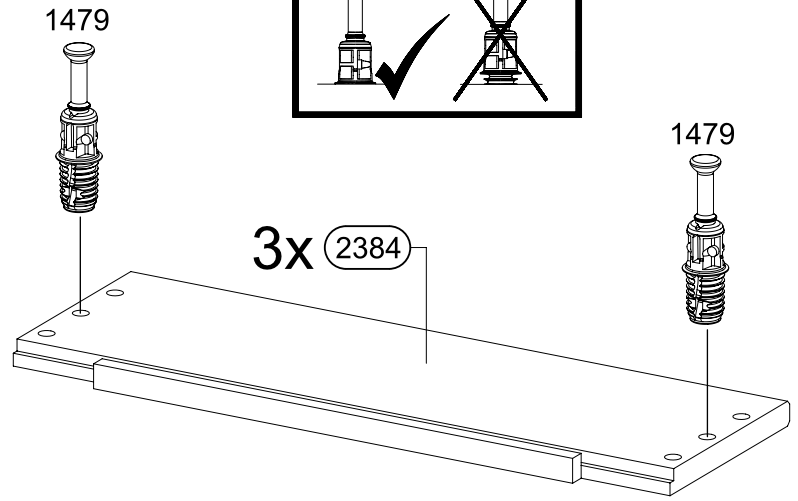
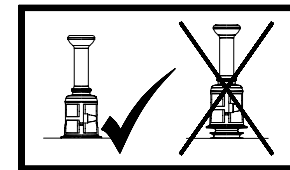


2.

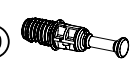


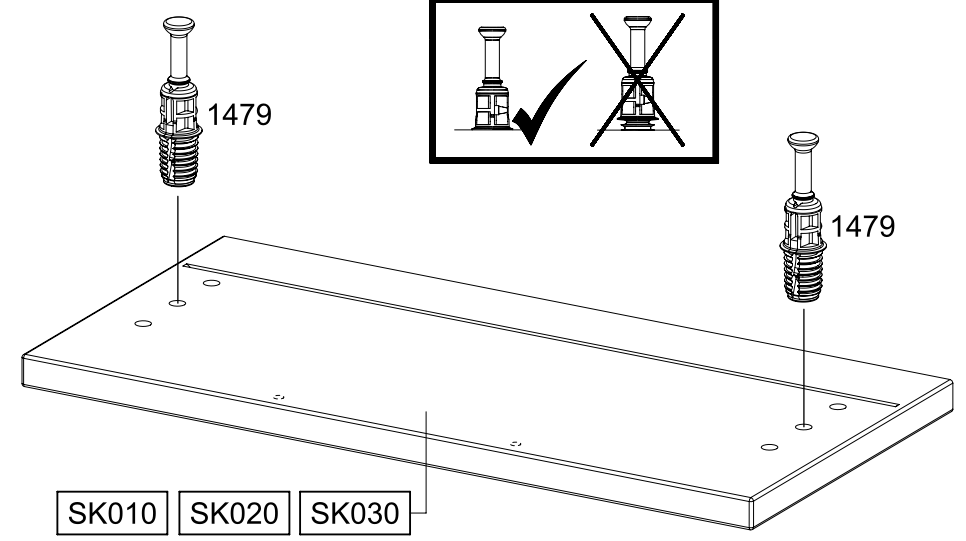
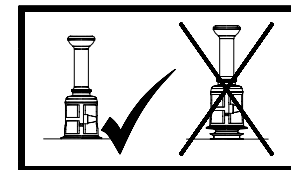
4

6x 1479 



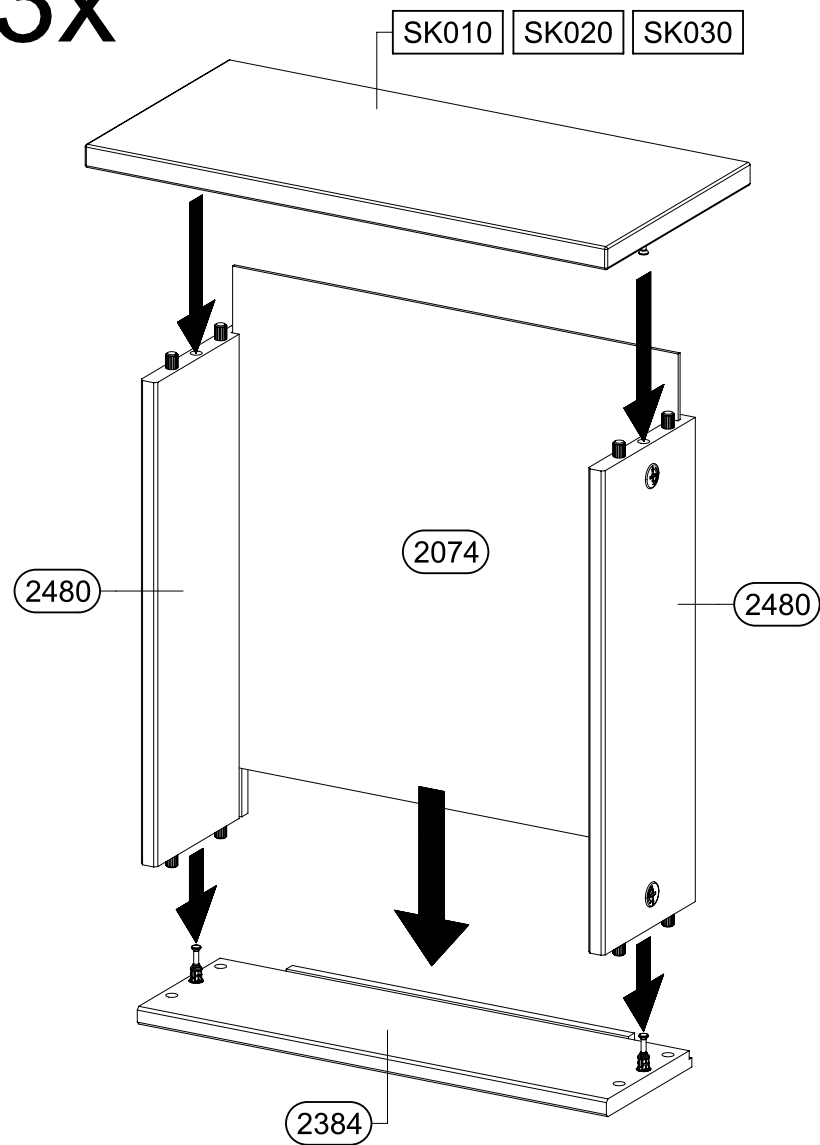
5

6x 1479 

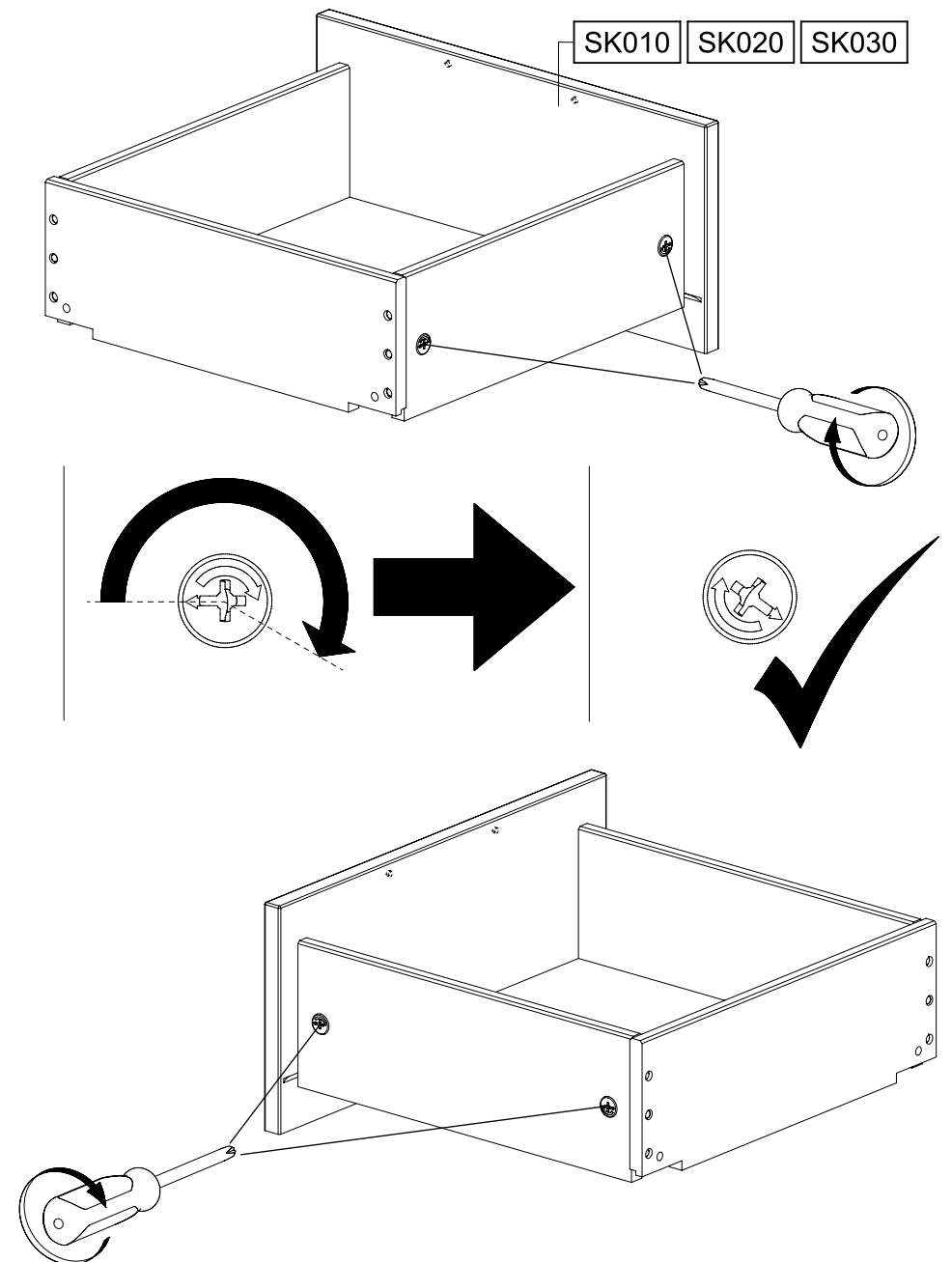
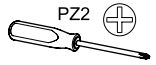


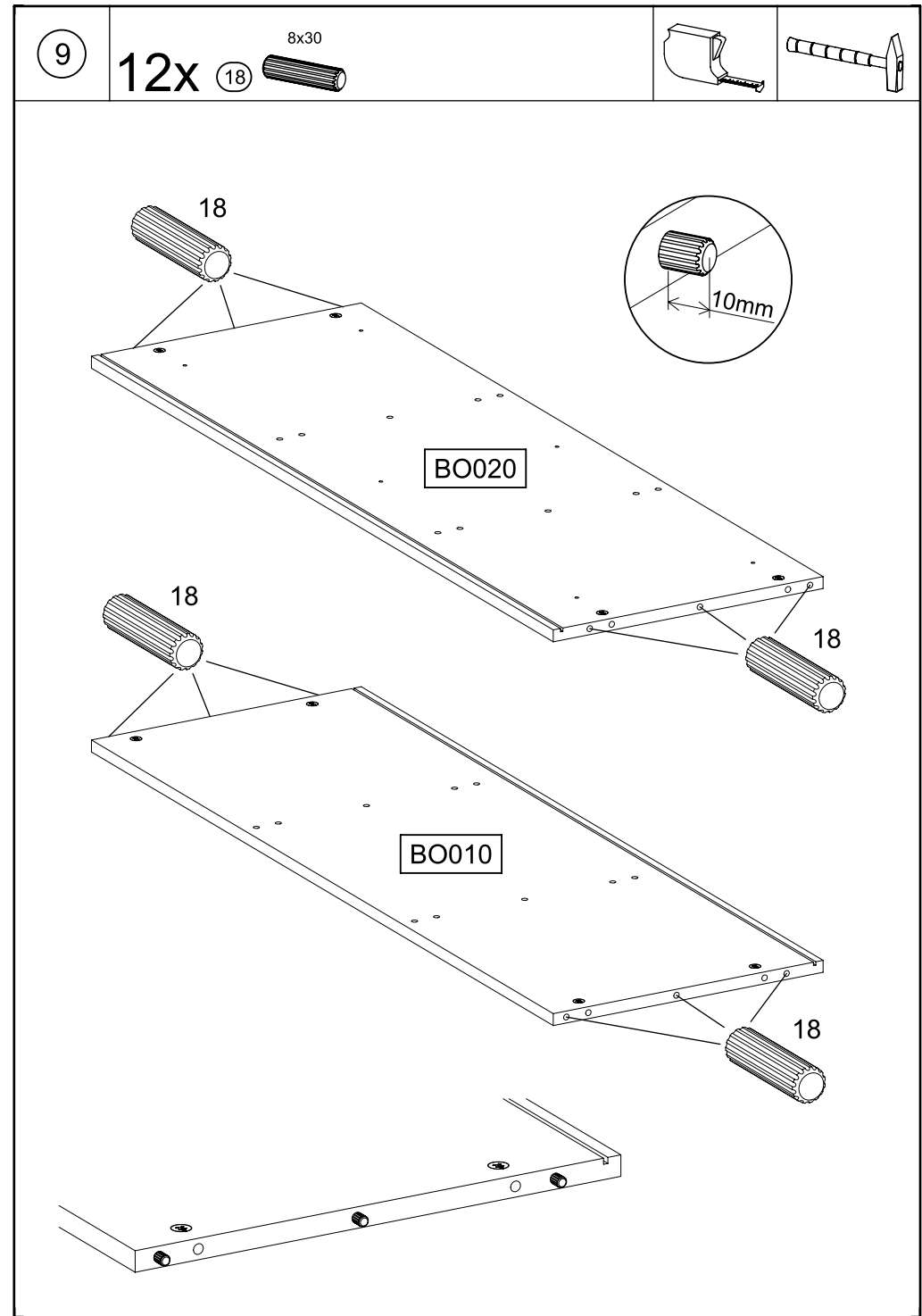
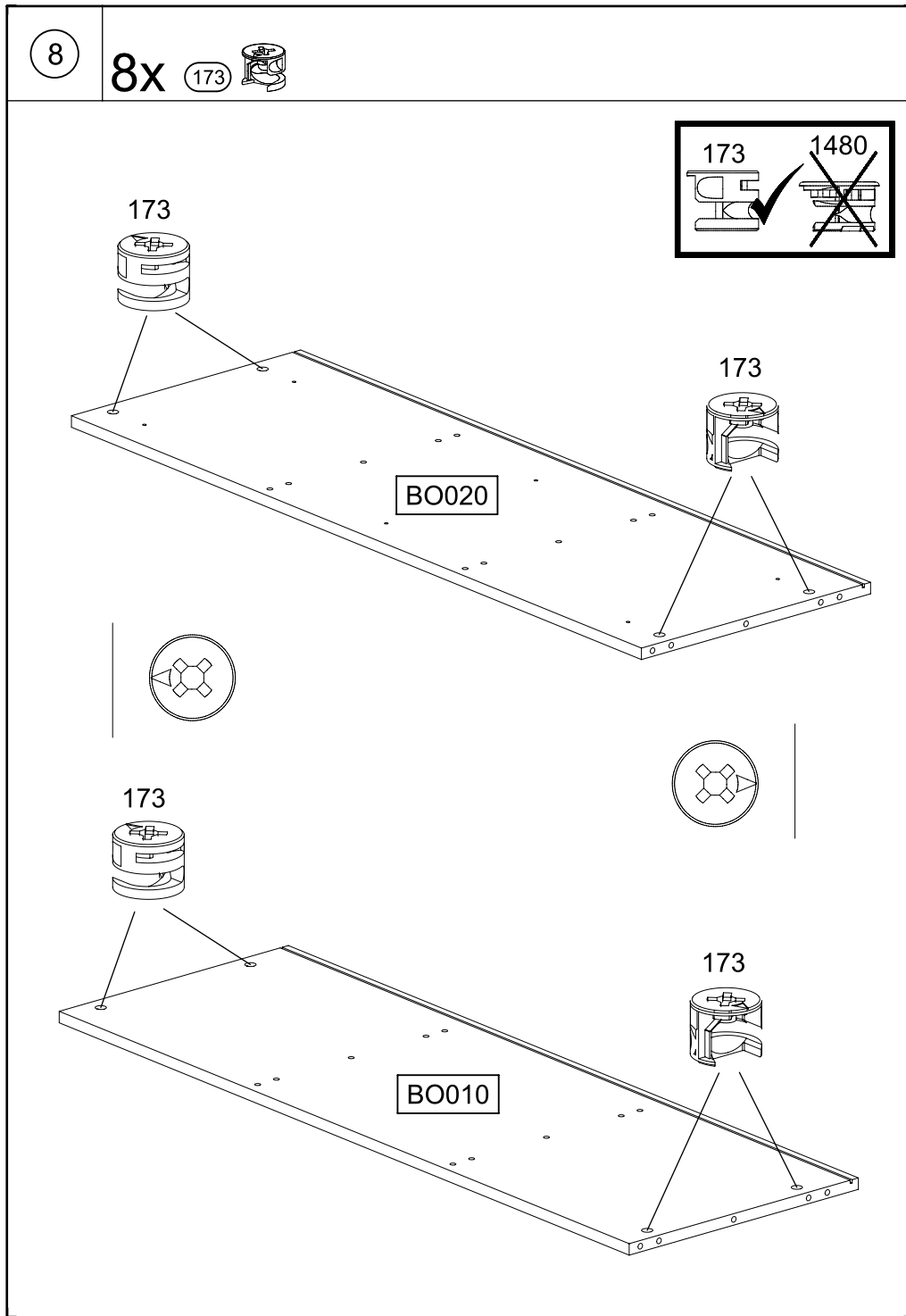
6

3x

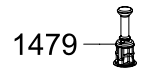
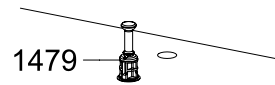
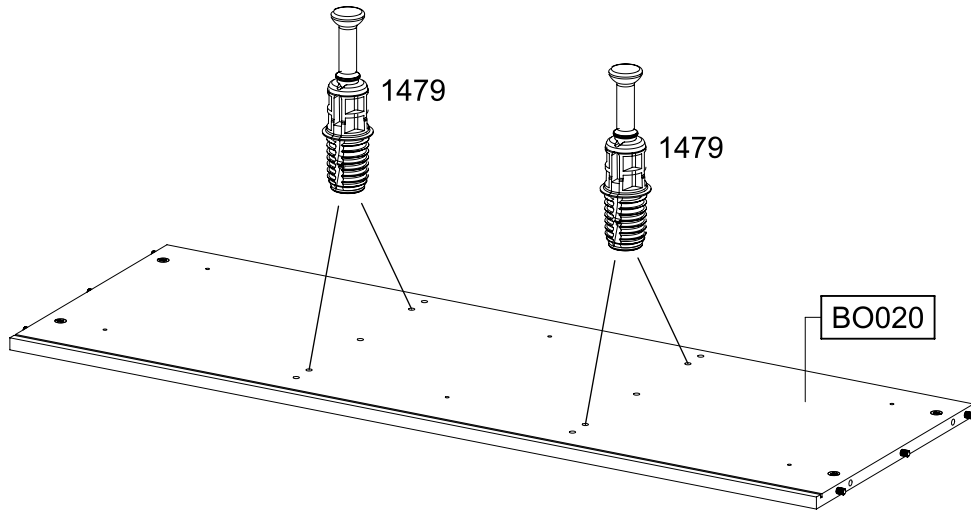
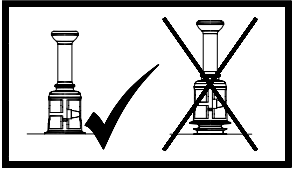



7

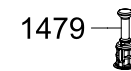
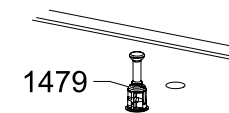
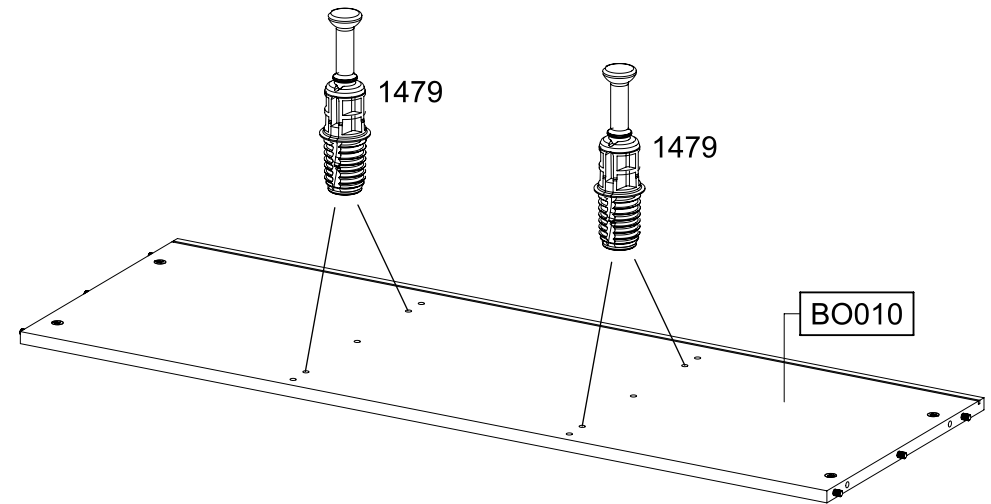
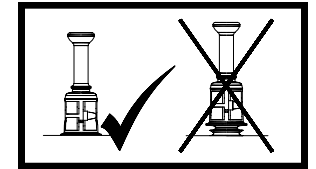





10

4x 1479 

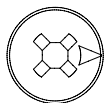
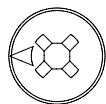
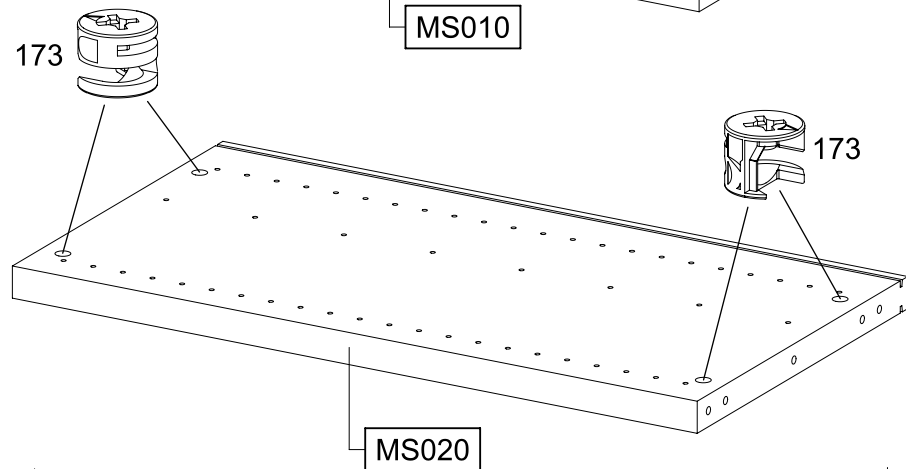
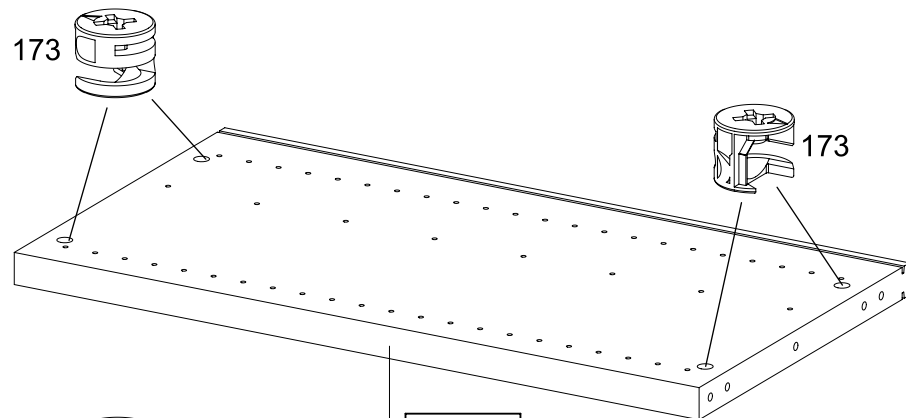
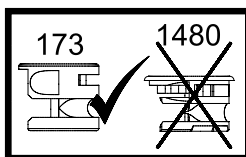
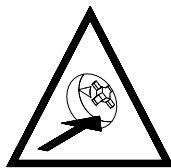
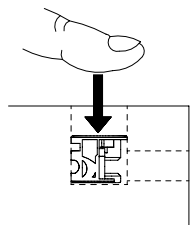
11

4x 1479 

12

8x

173

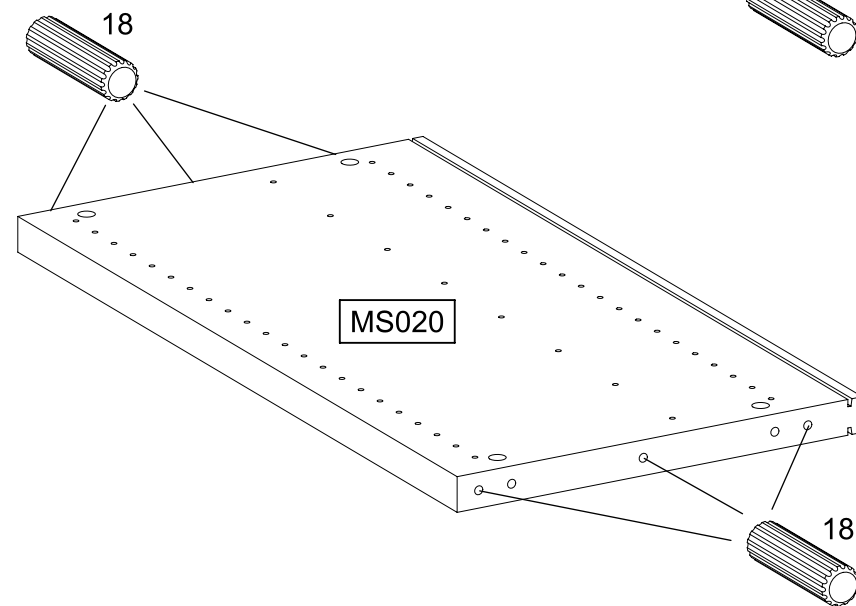
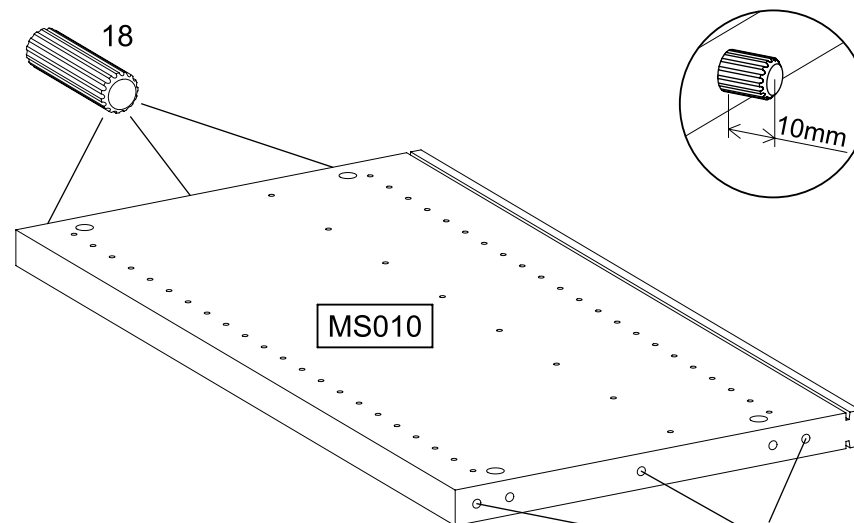
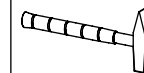
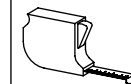


13

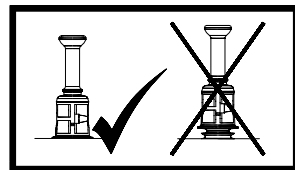
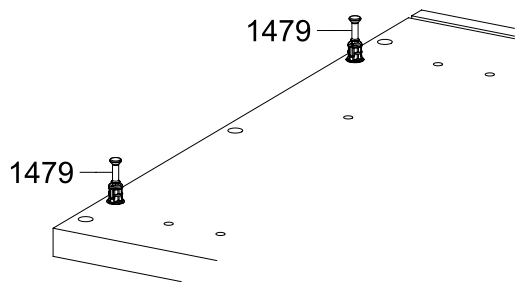
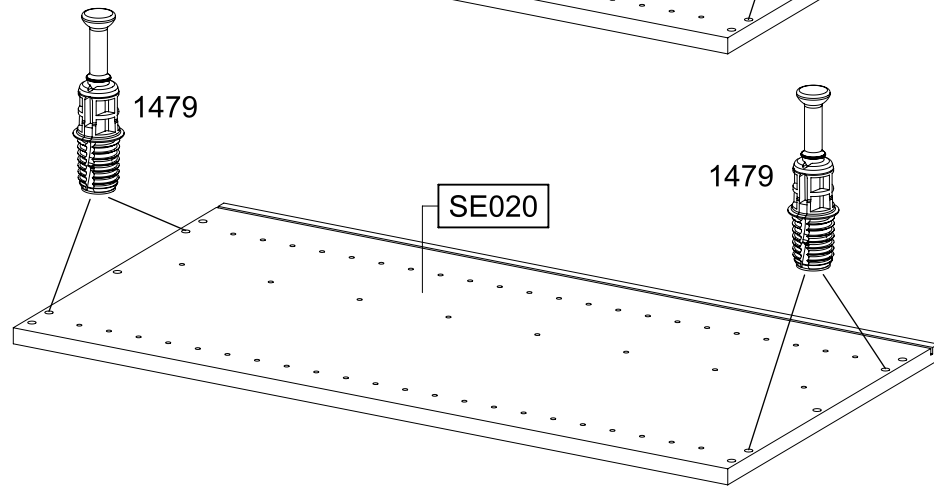
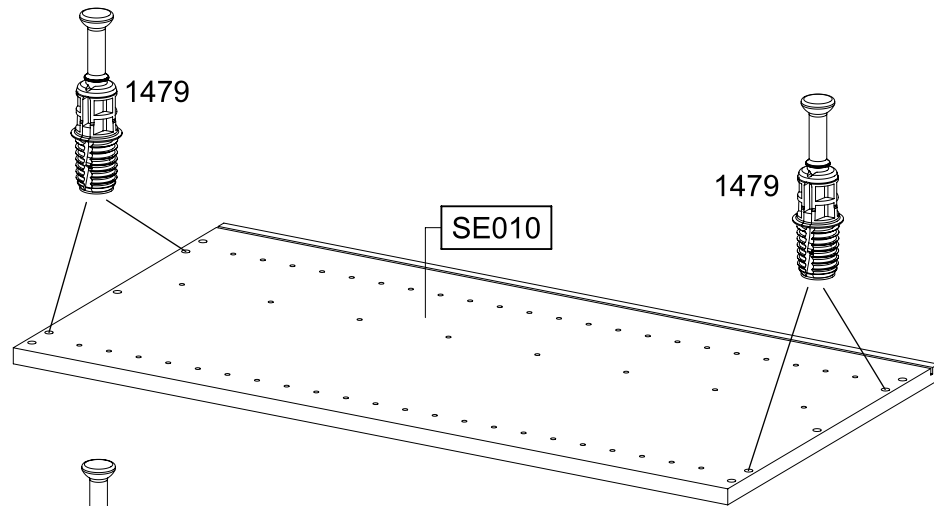

12x

18

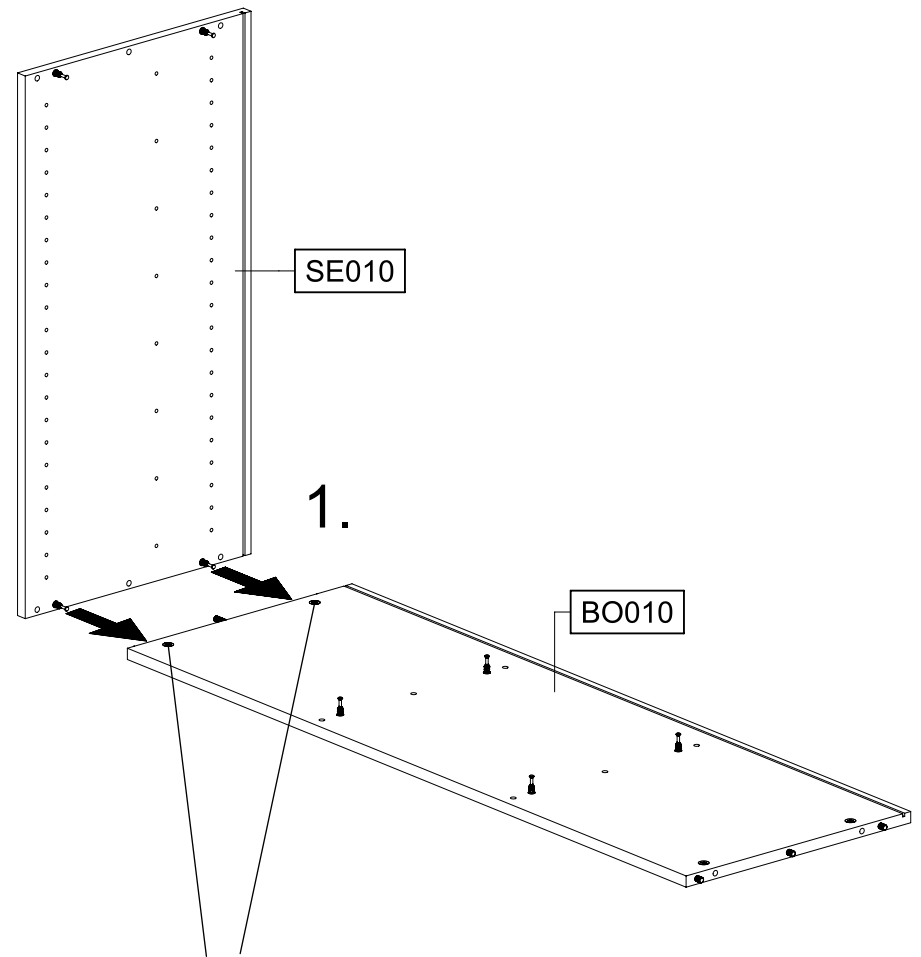
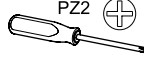
8x30



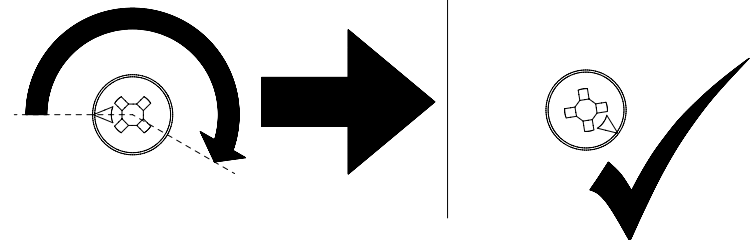
14

8x 1479 

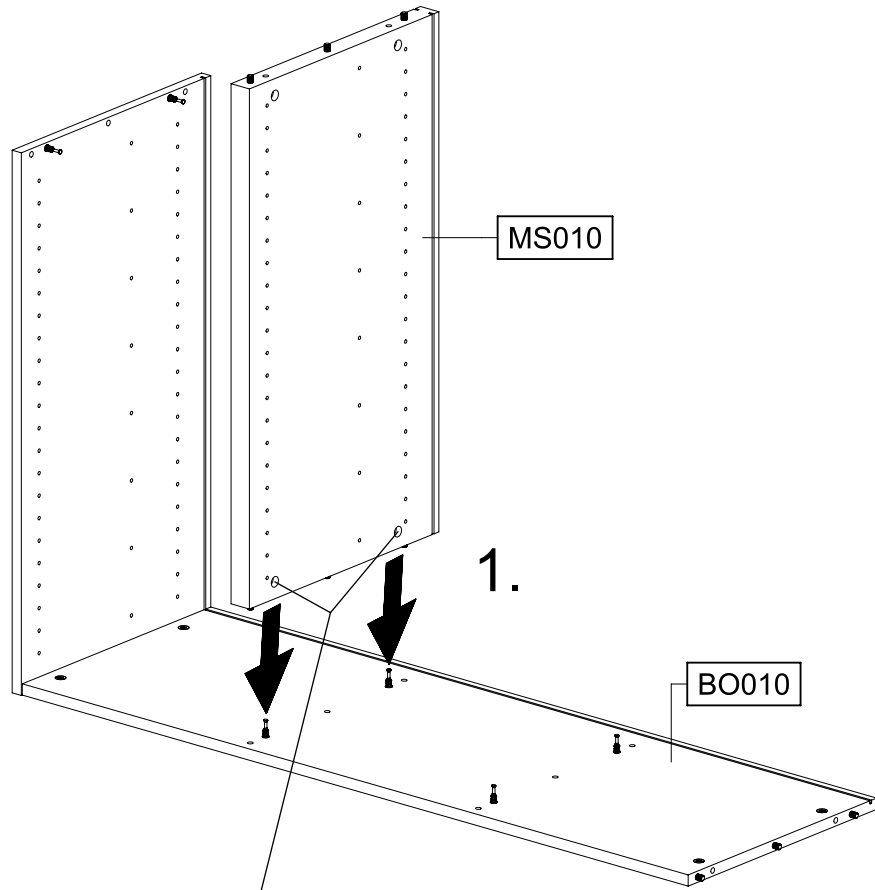
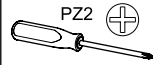
15

PZ2 

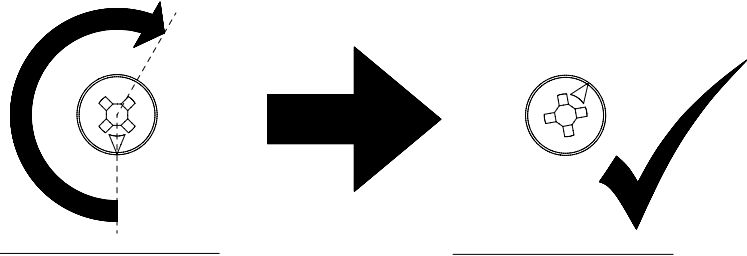
2.



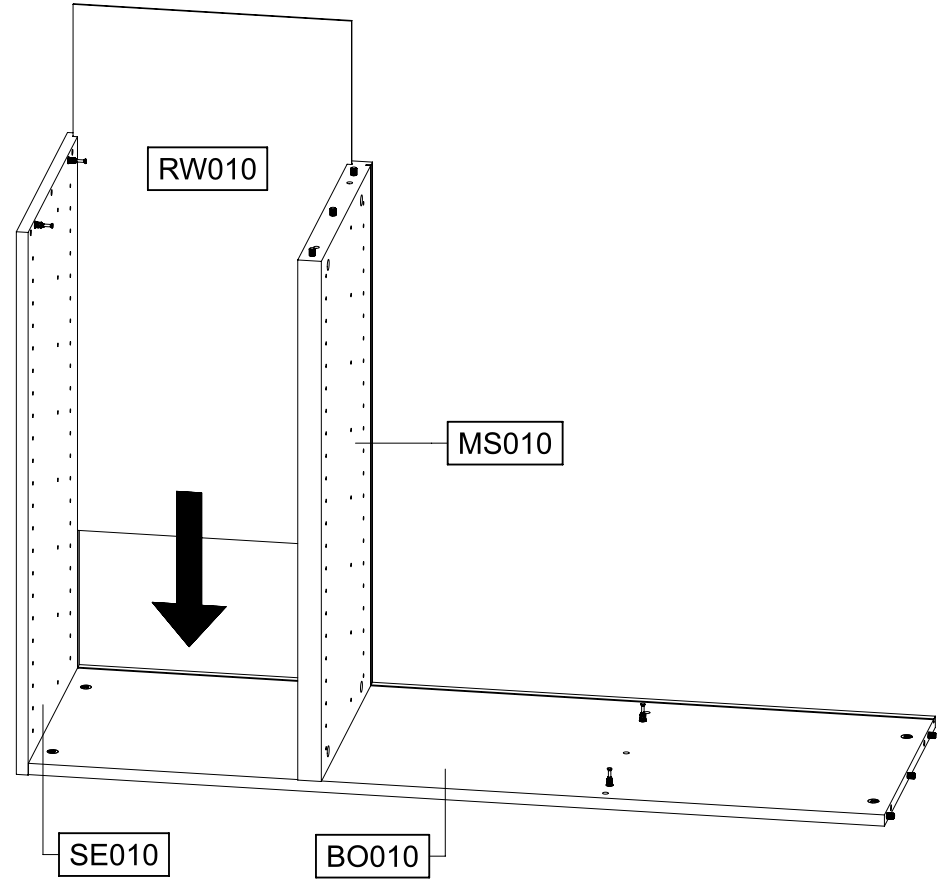
16



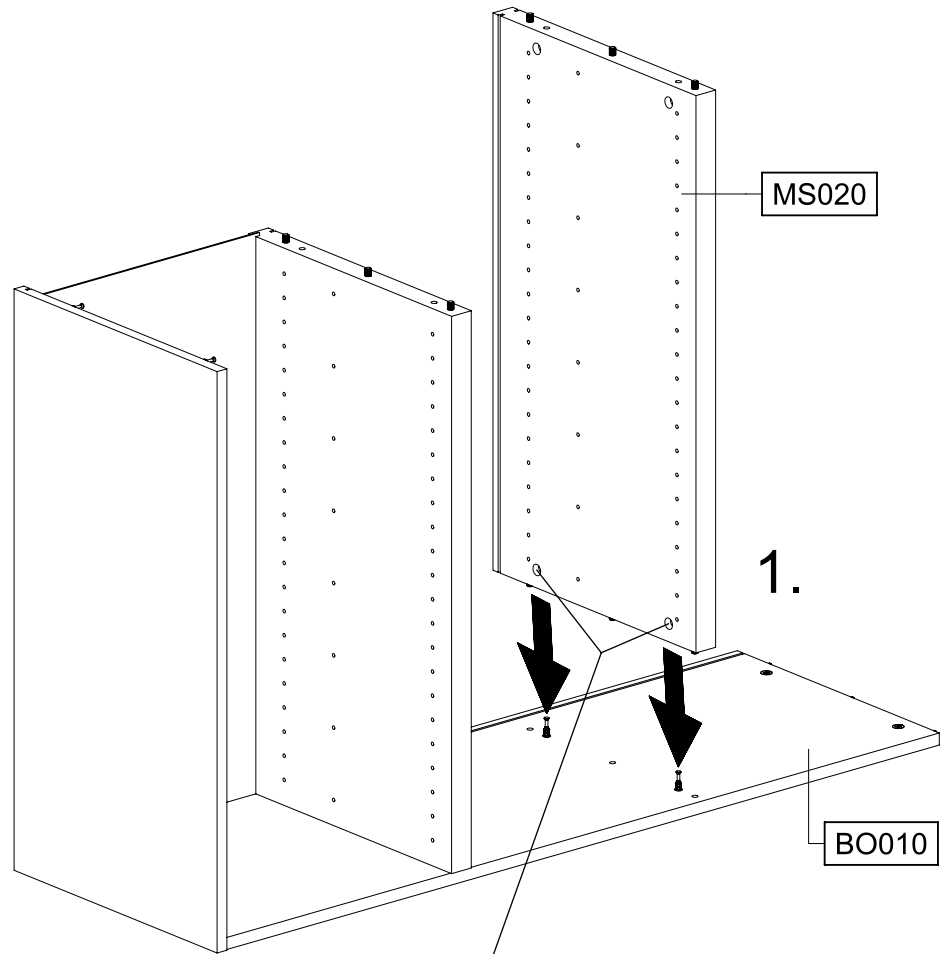
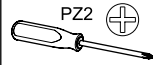
2.



17



18

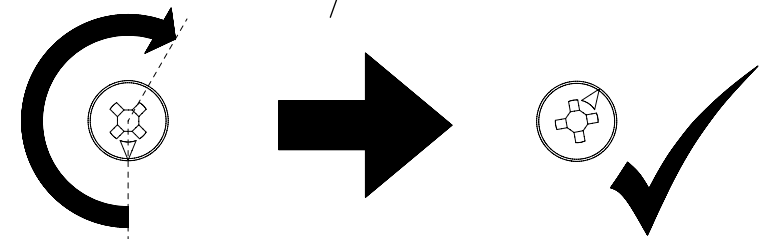


1.

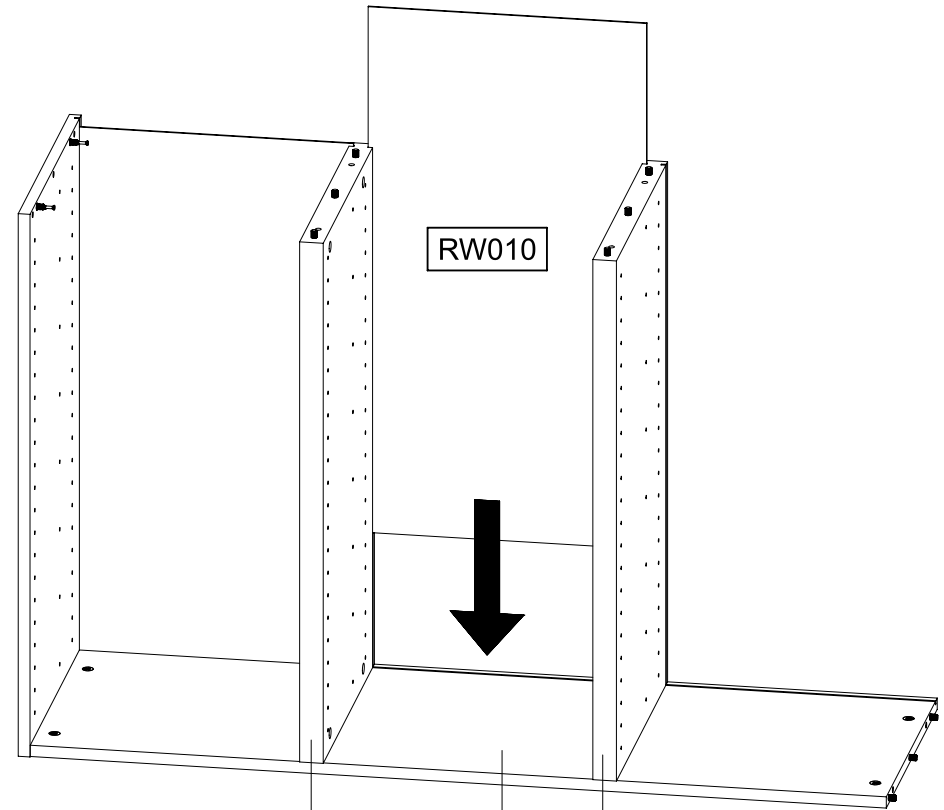
BO010

MS020

2.



19



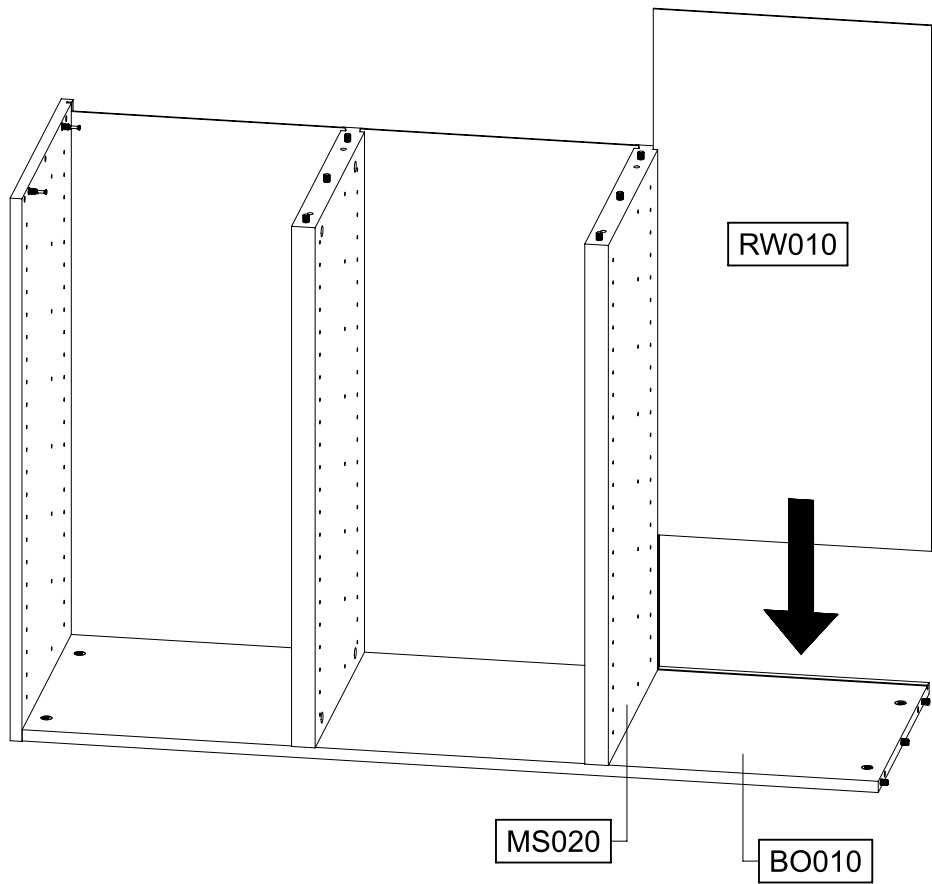
RW010

MS010

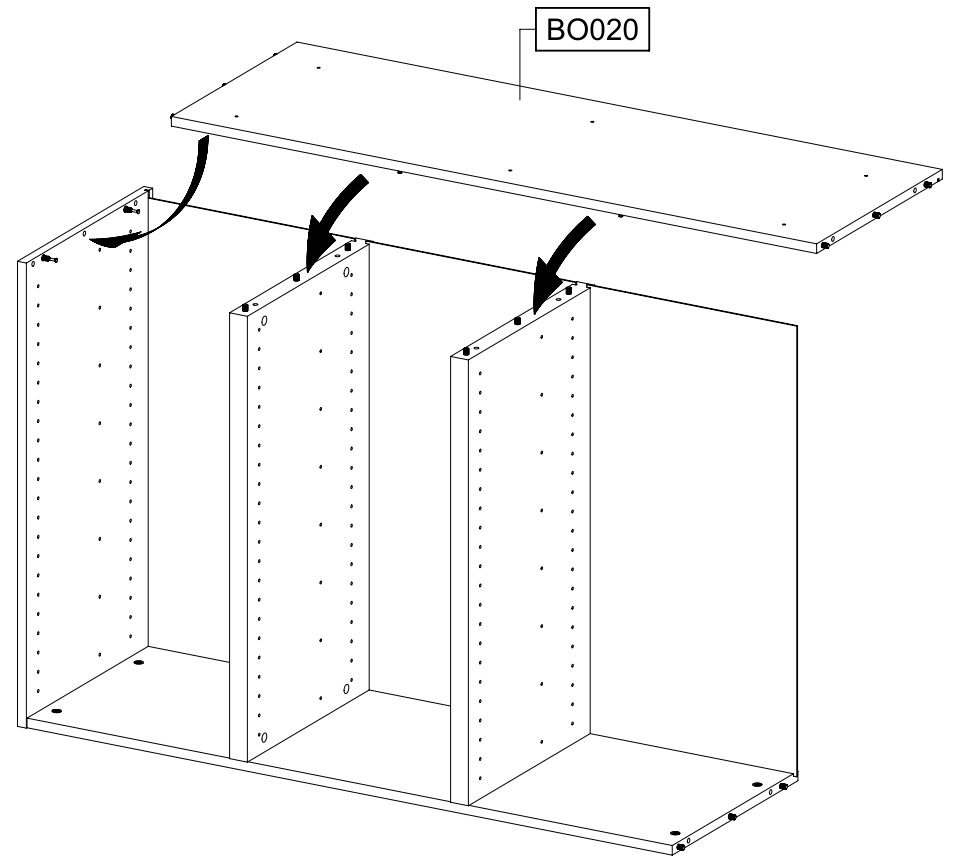
BO010

MS020

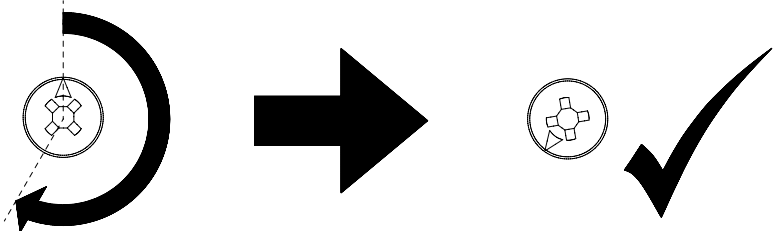
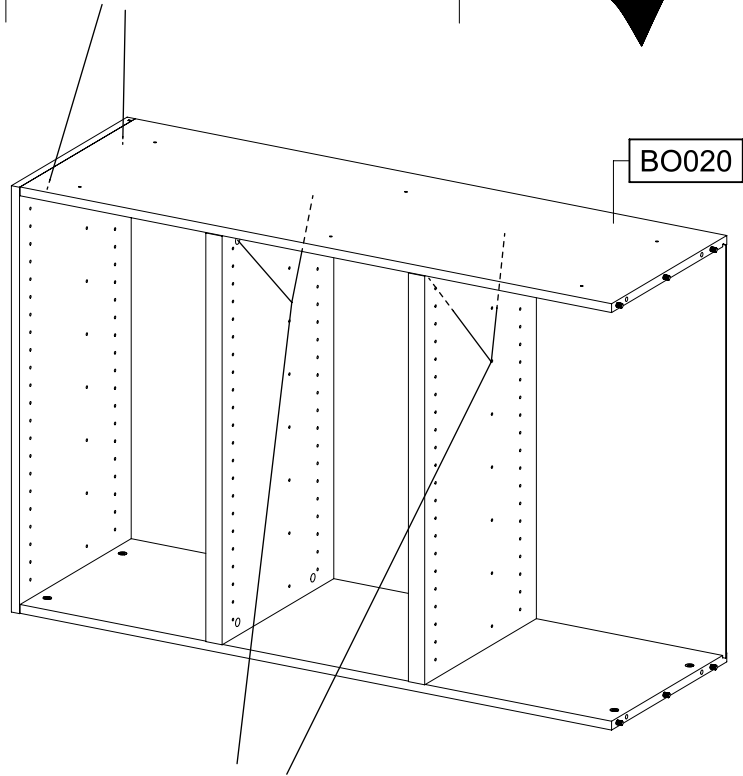
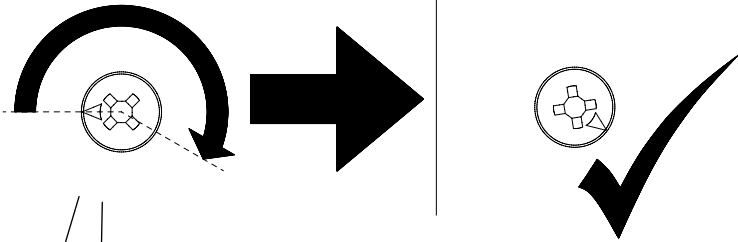
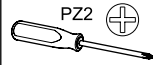
20



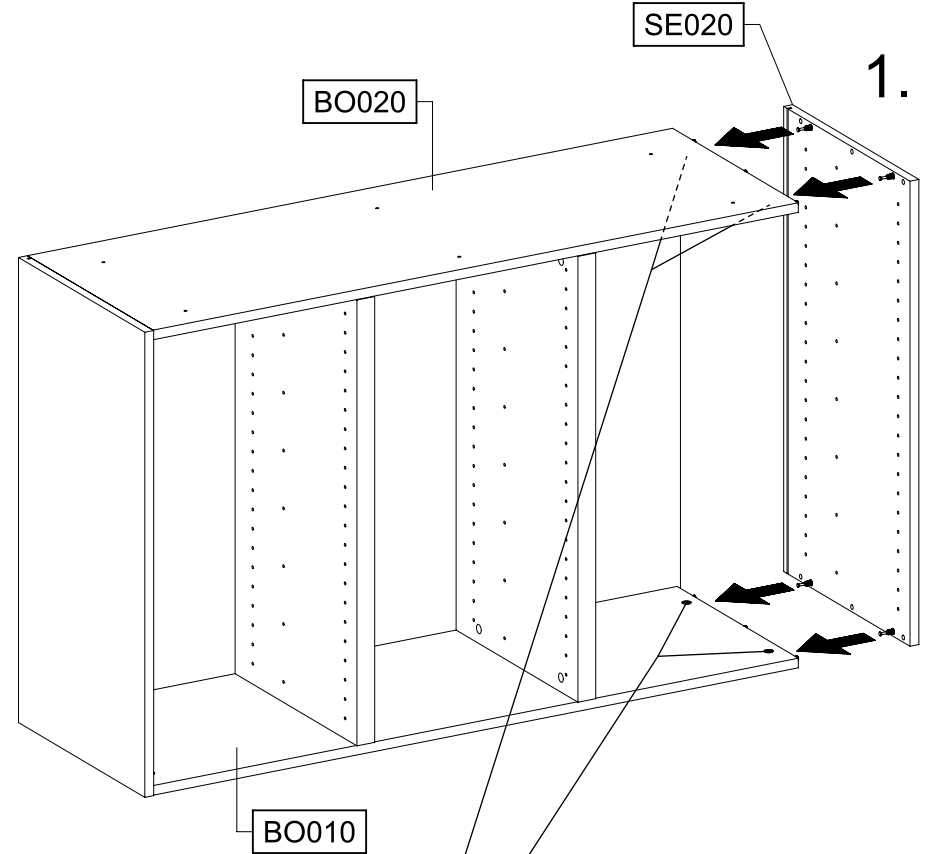
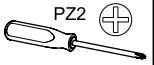
21



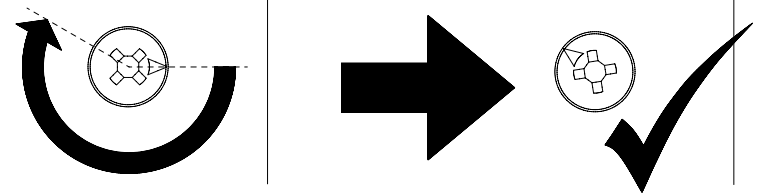
22



23



2.

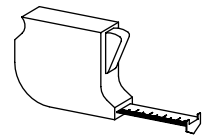
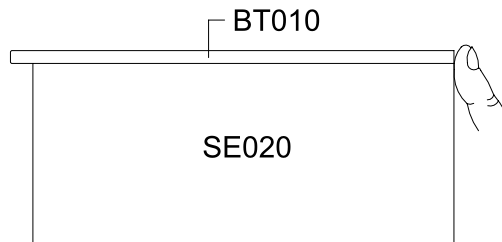
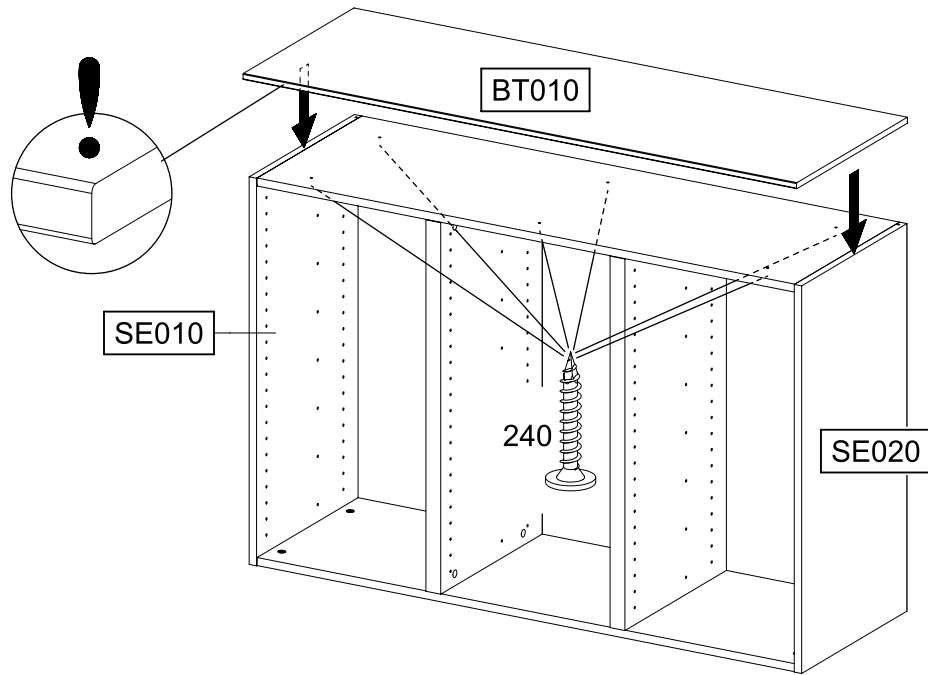
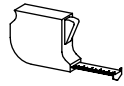


24

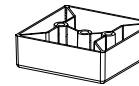
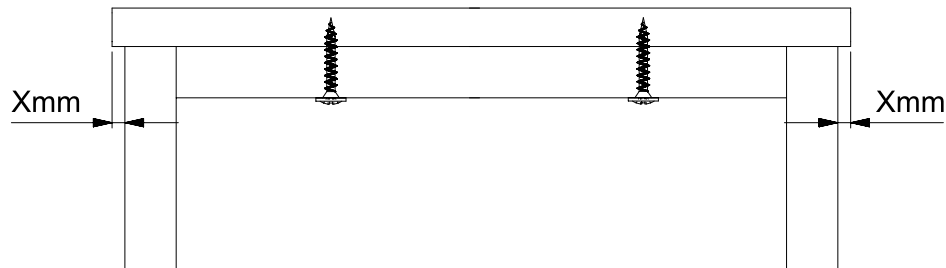
6x

240

4x25



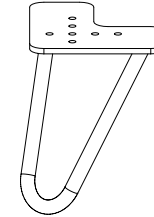
Xmm=Xmm



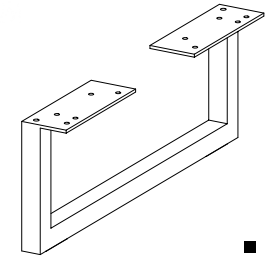
1207



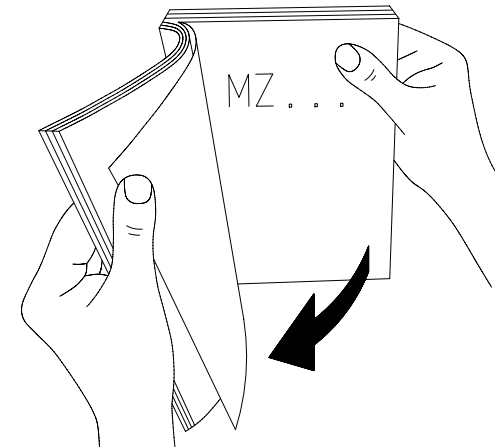
1481



1345

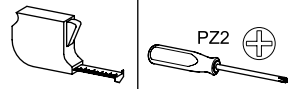


1348

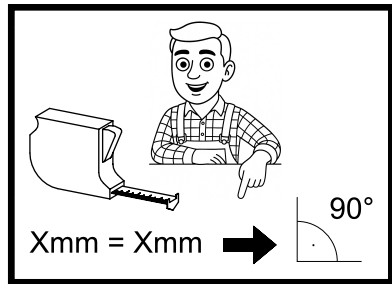


25

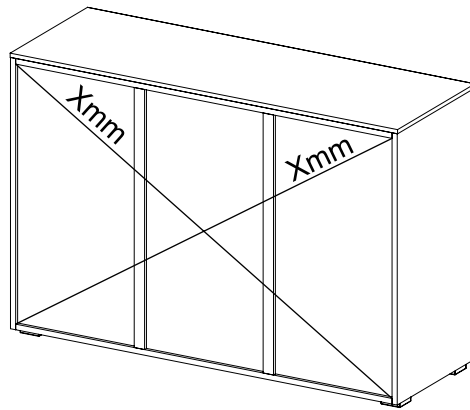
12x 45



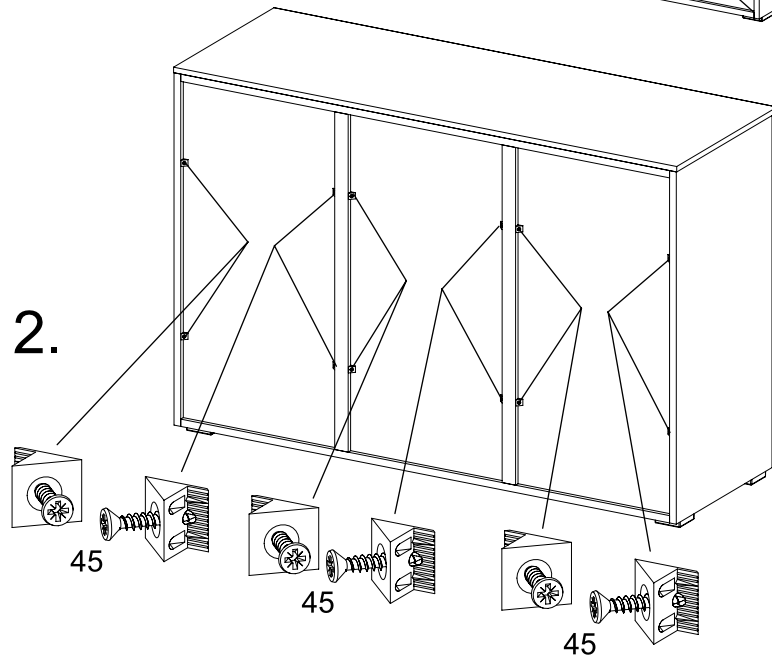
PZ2



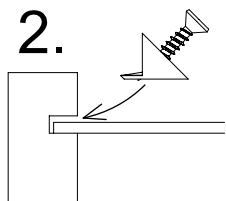
1.



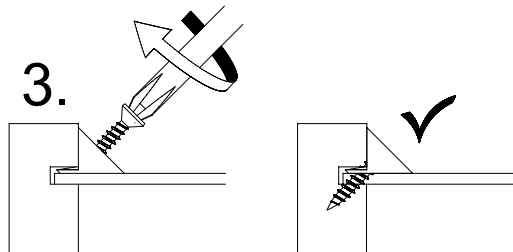
2.



2.



3.



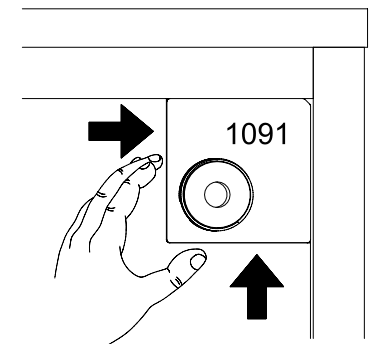
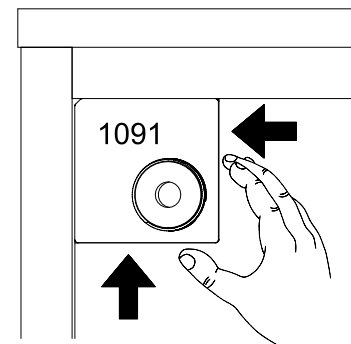
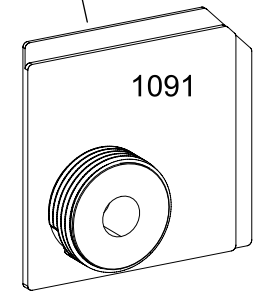
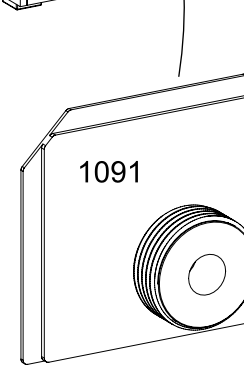
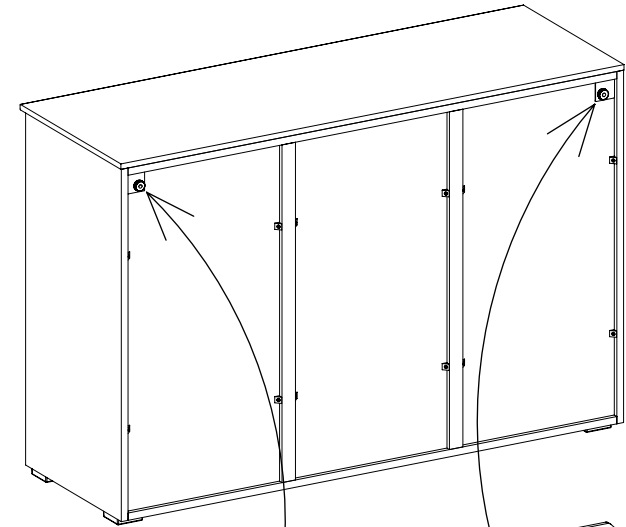
26

2x

1091



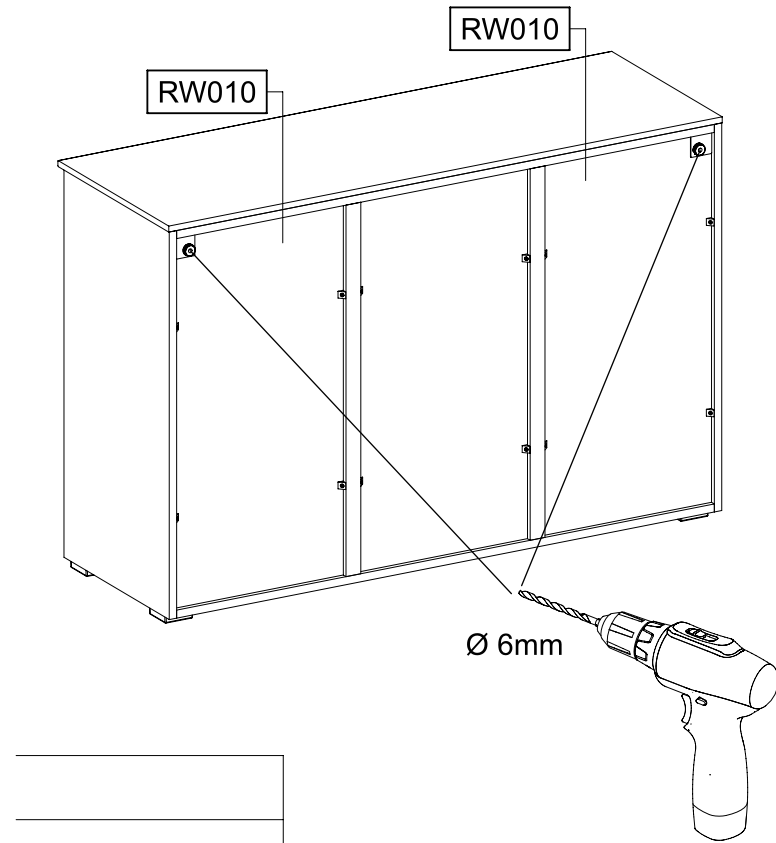
SCAN ME



27

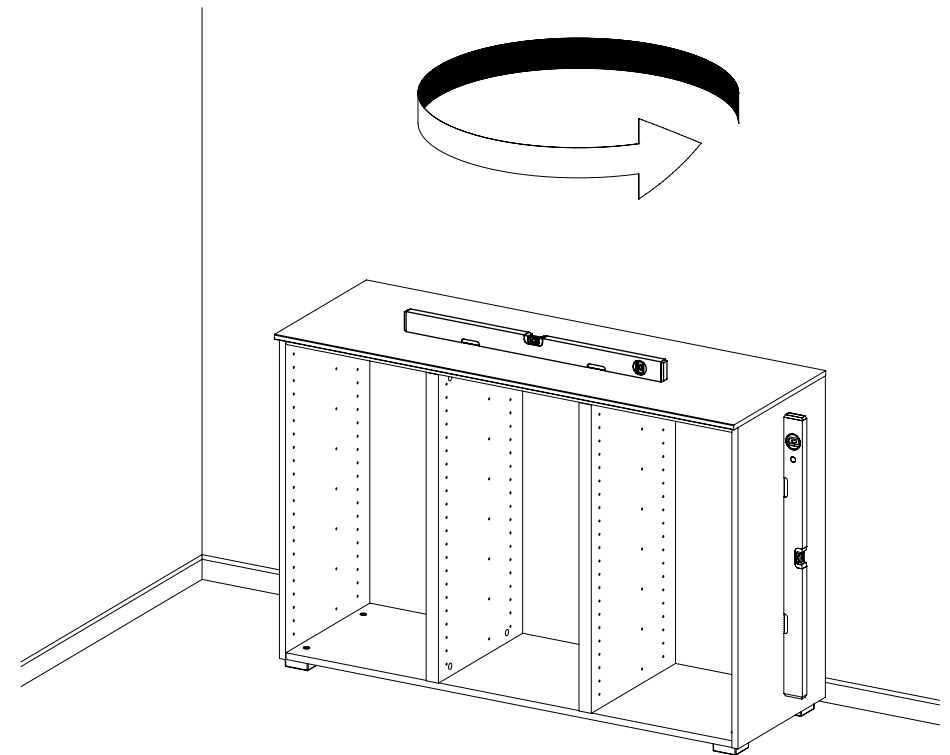
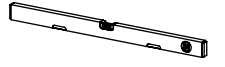


Ø6mm



Ø 6mm

28



29

2x

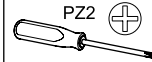
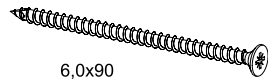
1093



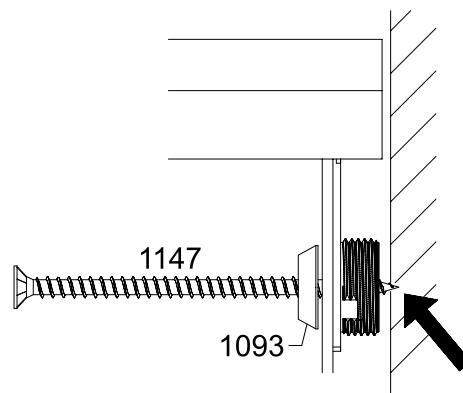
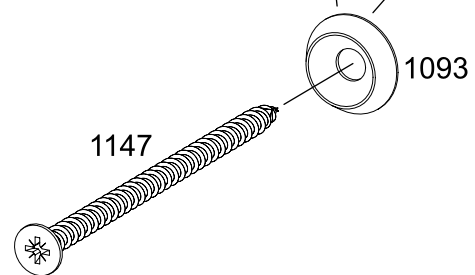
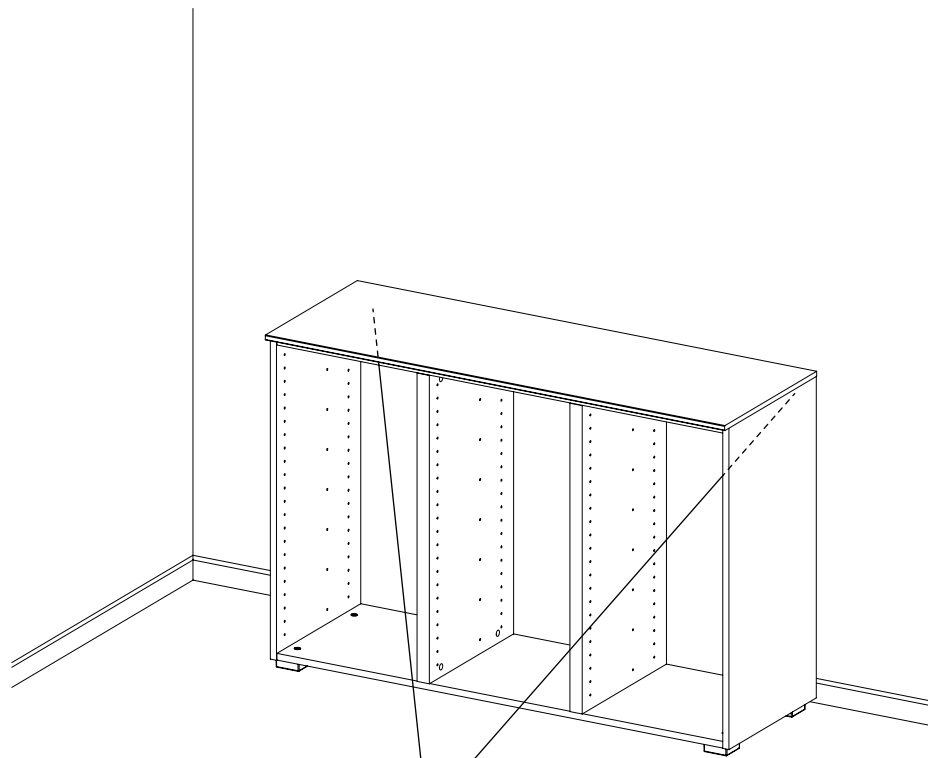
2x

1147

6,0x90



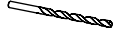
PZ2



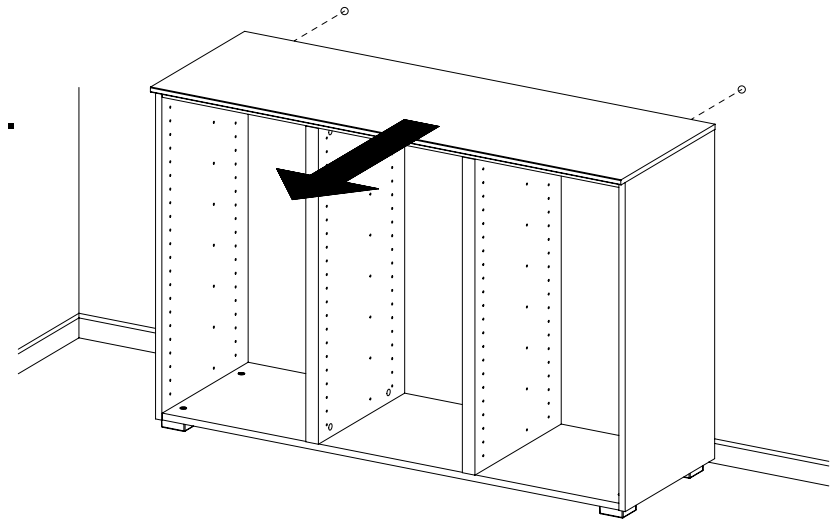
30



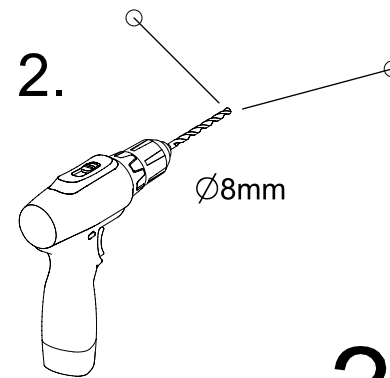
Ø8mm



1.



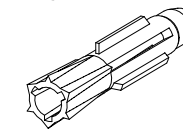
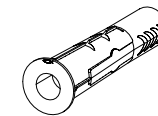
2.



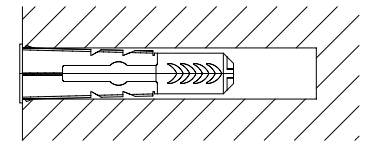
Ø8mm

?

3.

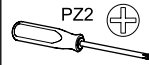


Ø8mm

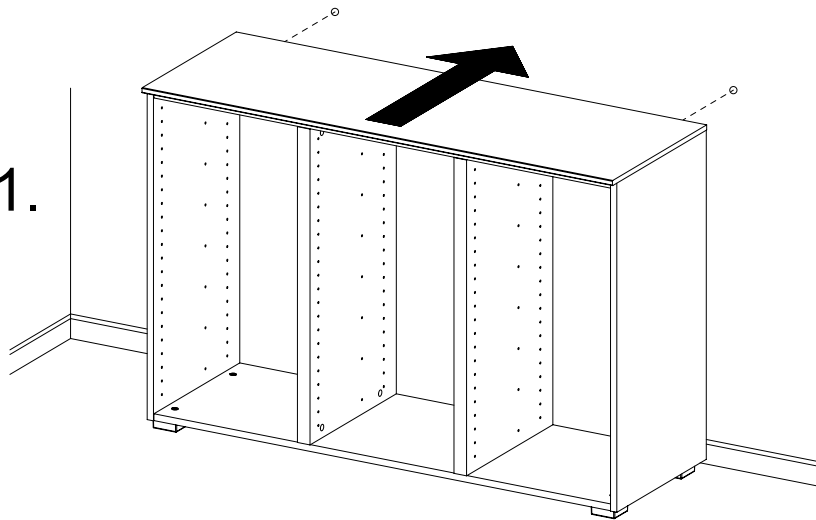


31

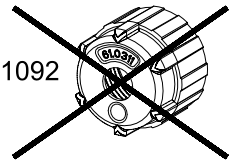
2x 1092



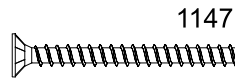
1.



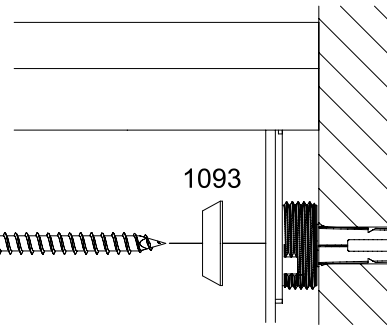
1092



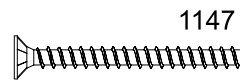
2.



1093

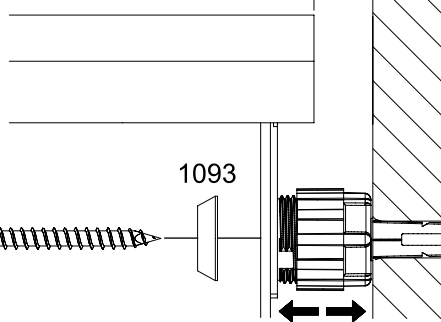


2.



1093

10-15mm

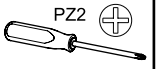
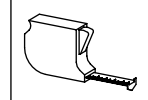
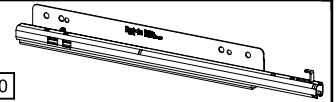


32

6x 792 6,3x9

6x 836 4x15

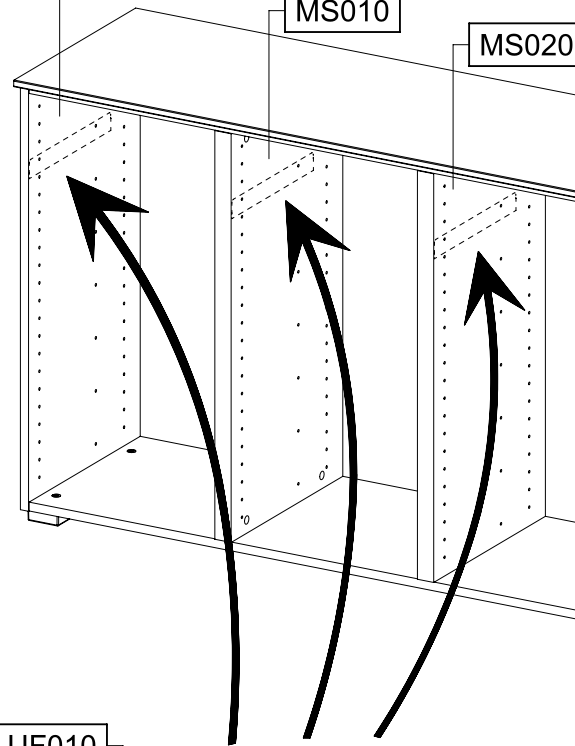
3x UF010



SE010

MS010

MS020

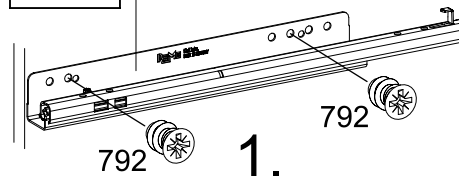


UF010

792

1.

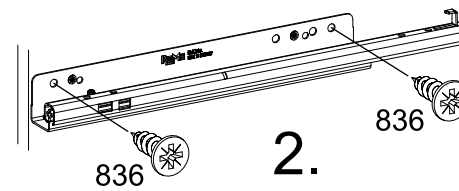
792



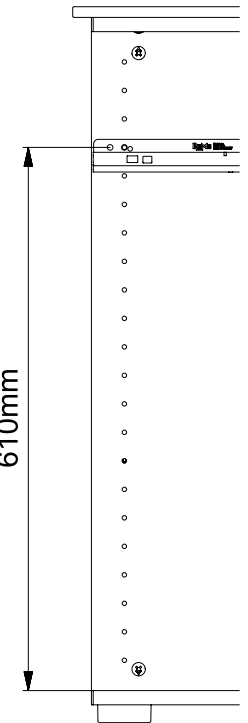
836

2.

836



610mm

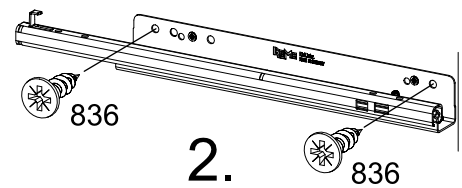
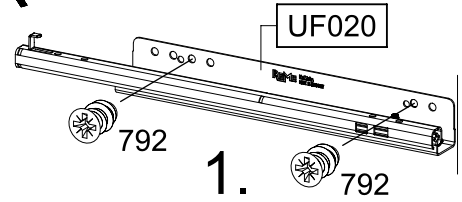
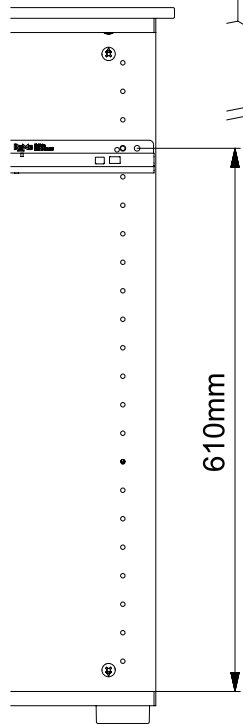
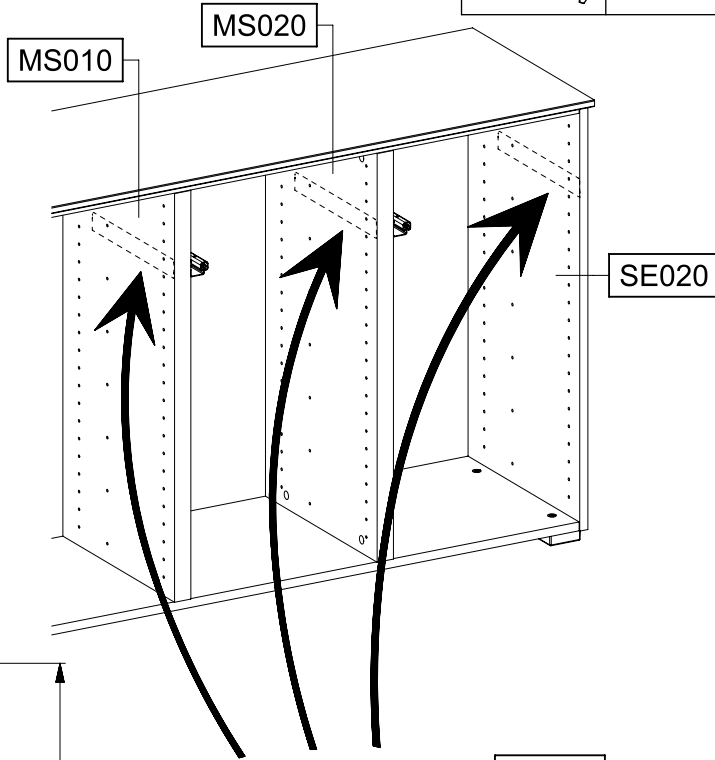
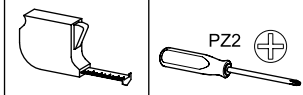
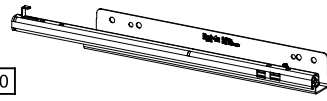


33

6x 792 6,3x9

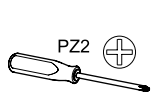
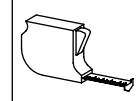
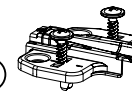
6x 836 4x15

3x UF020

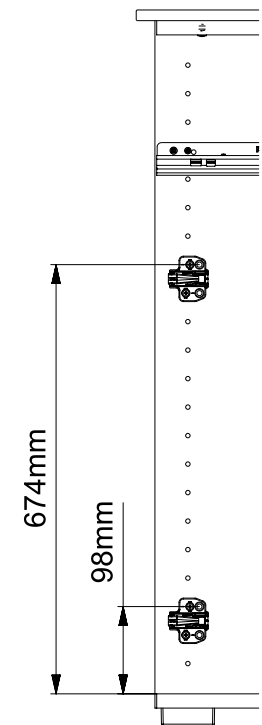
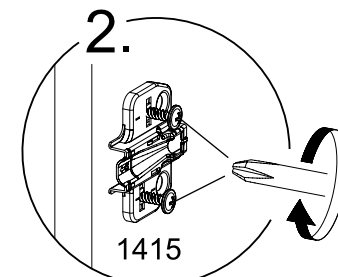
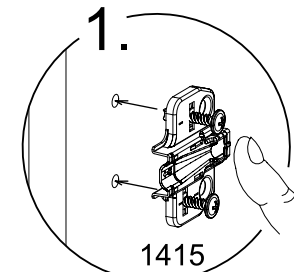
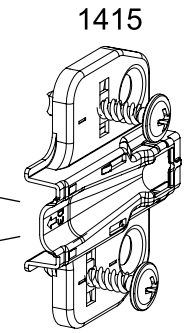
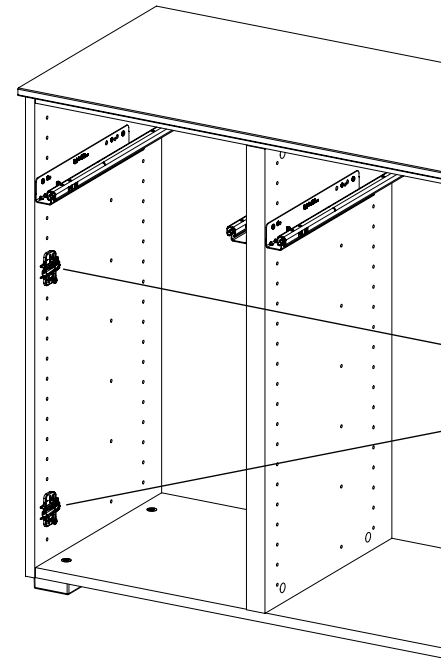


34

2x 1415

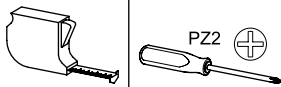
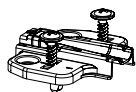


SCAN ME

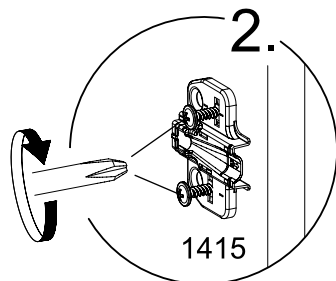
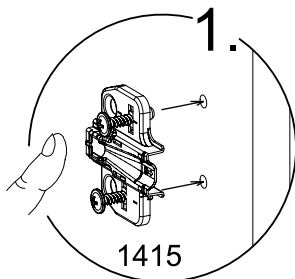
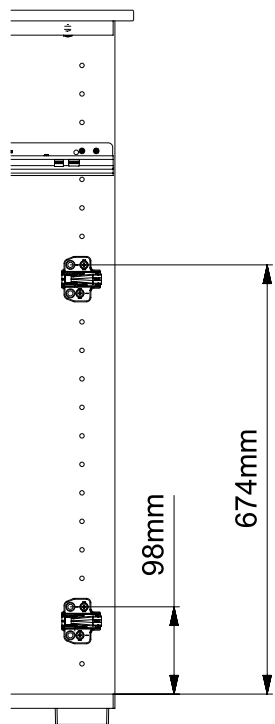
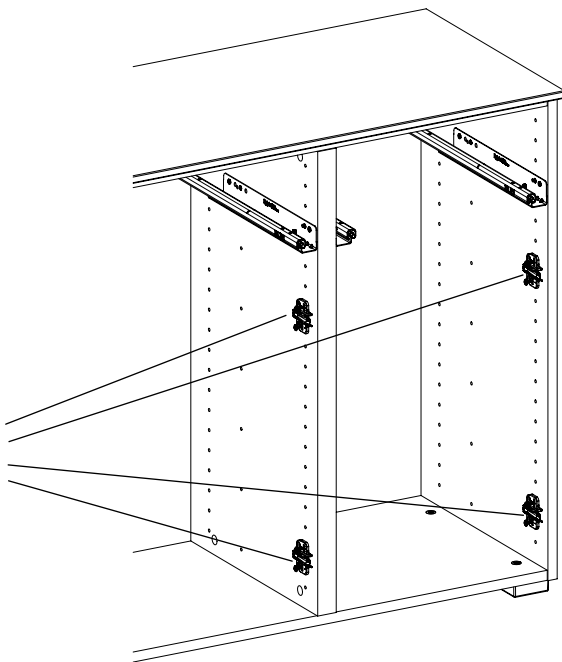
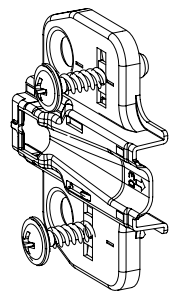


35

4x 1415



1415

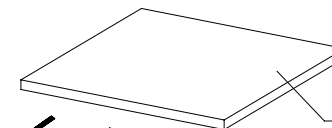


36

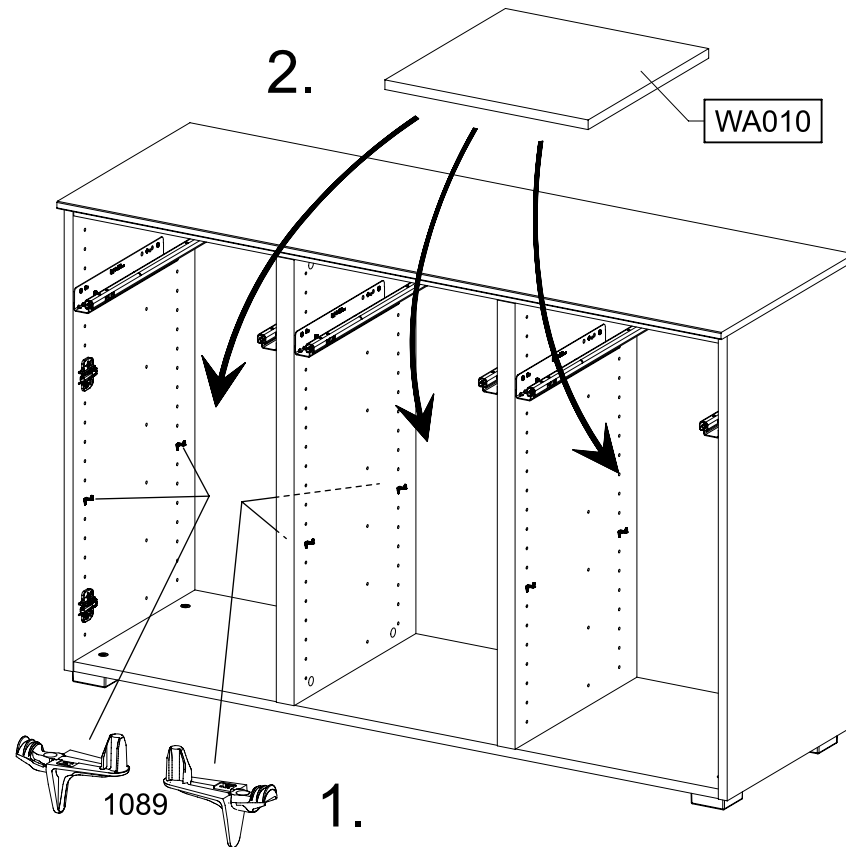
12x 1089



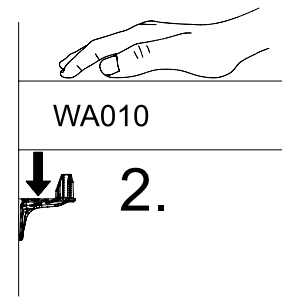
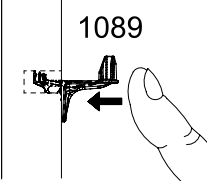
2.



WA010



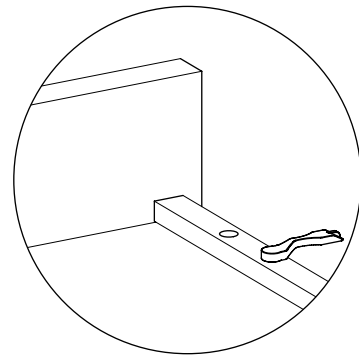
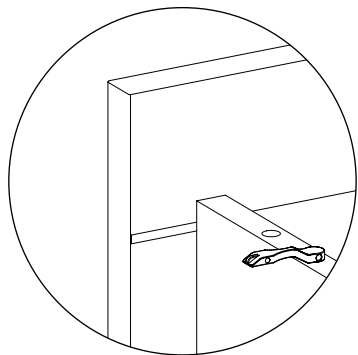
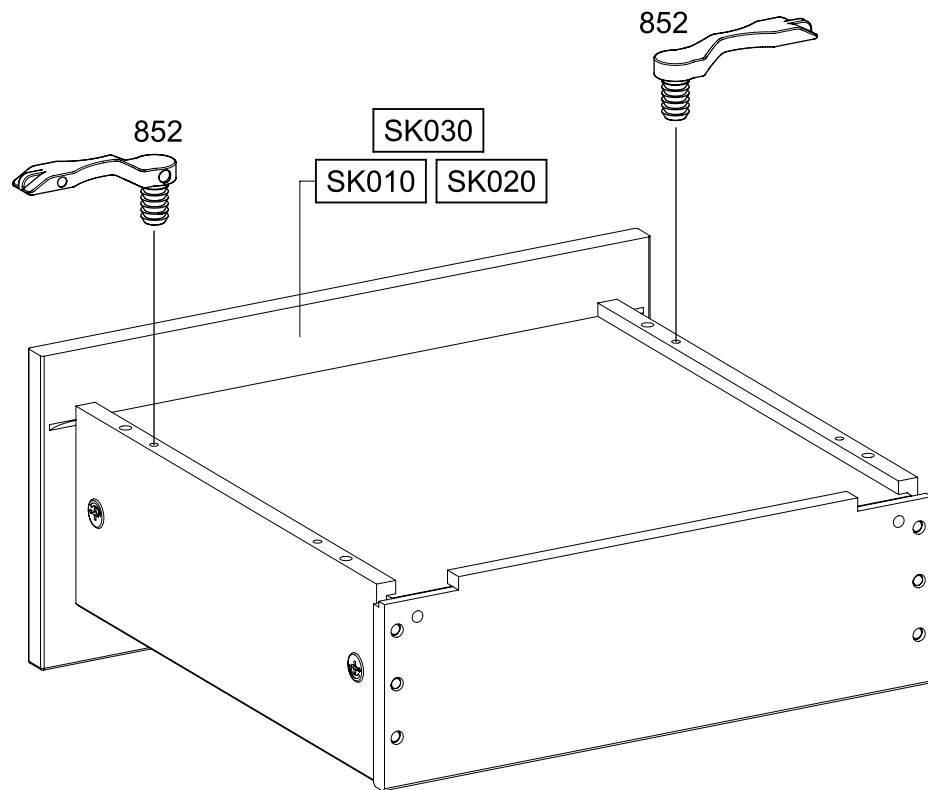
1.



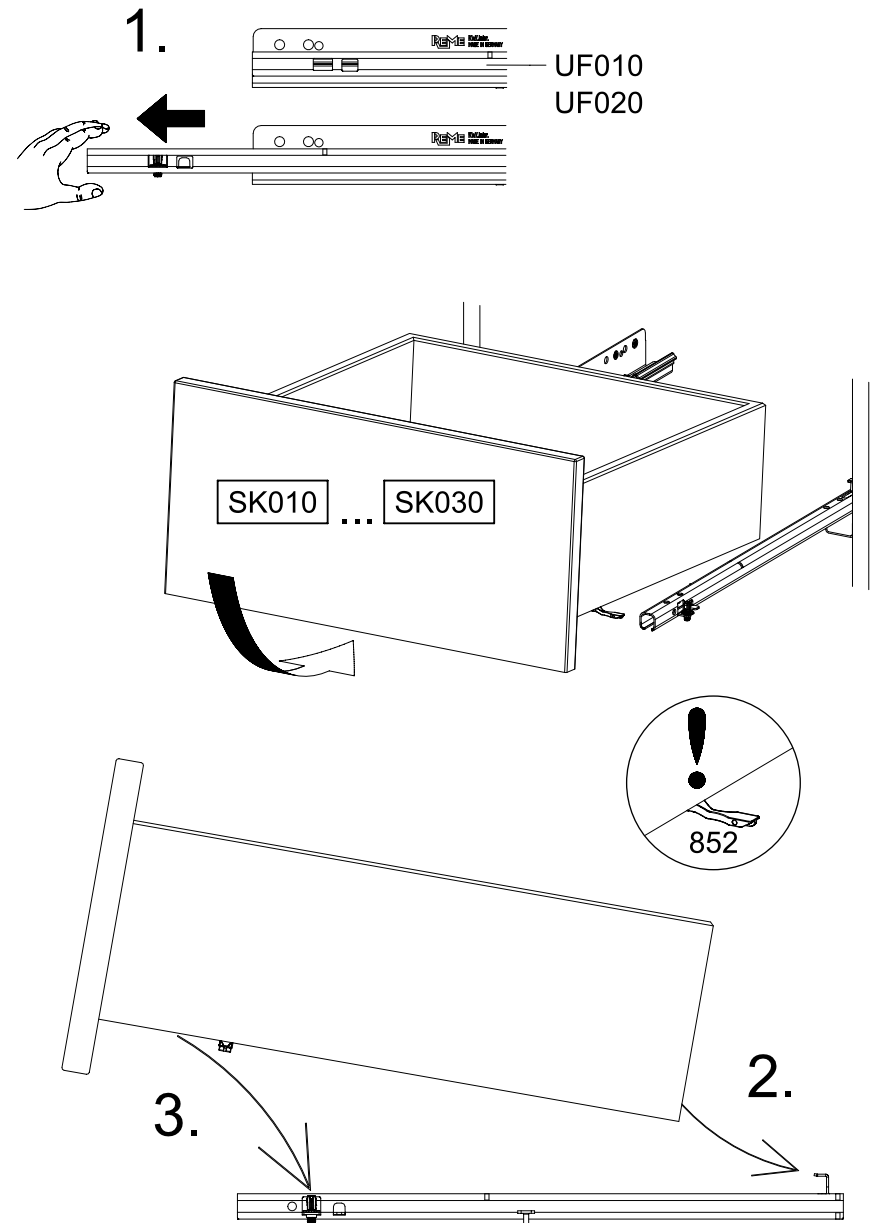
WA010

2.

37

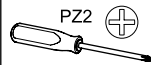
6x 852 

38

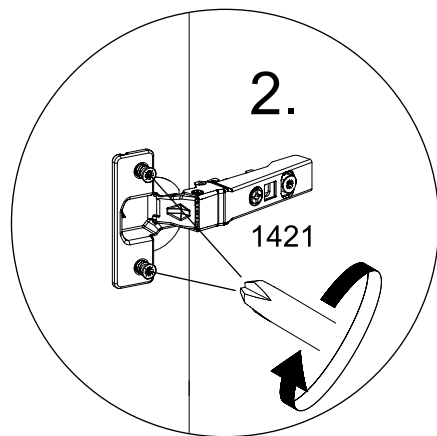
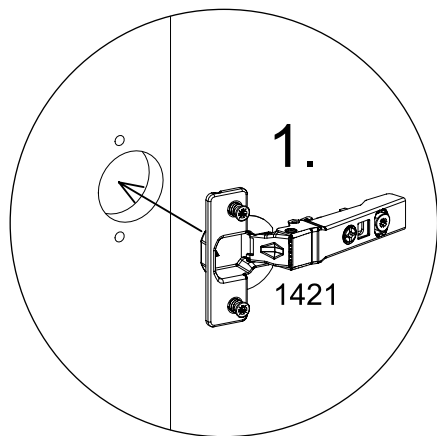
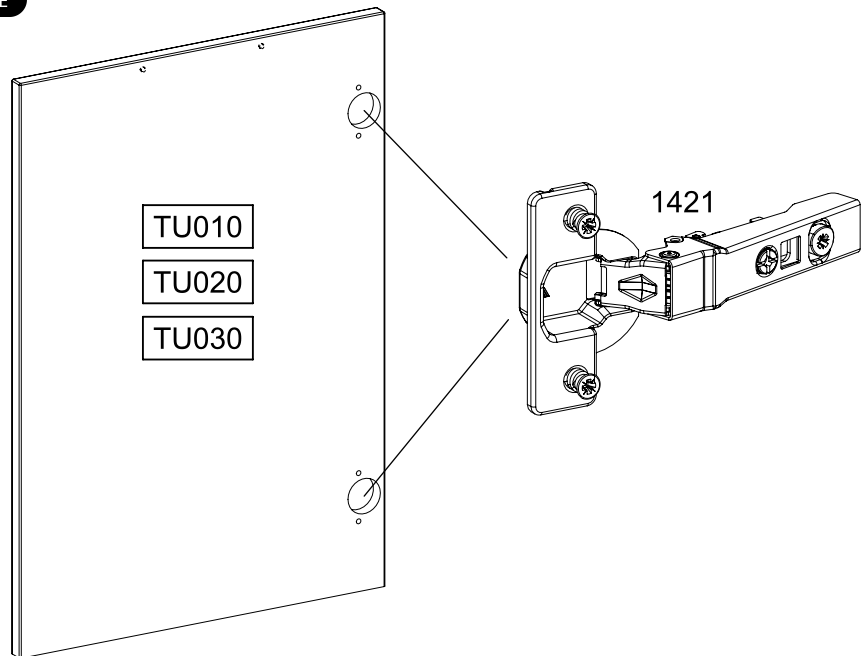


39

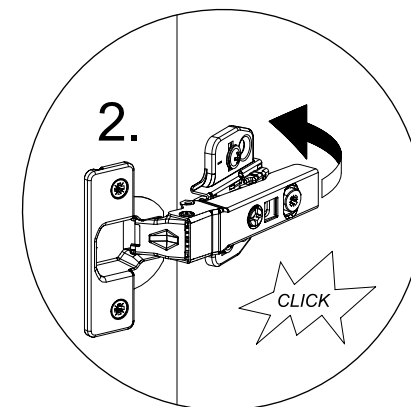
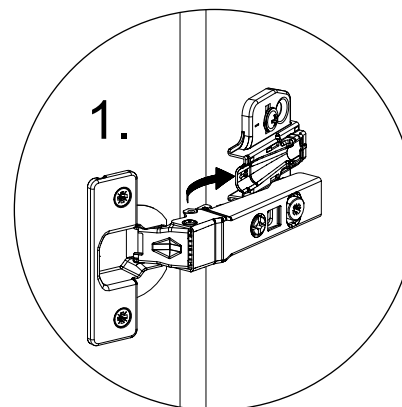
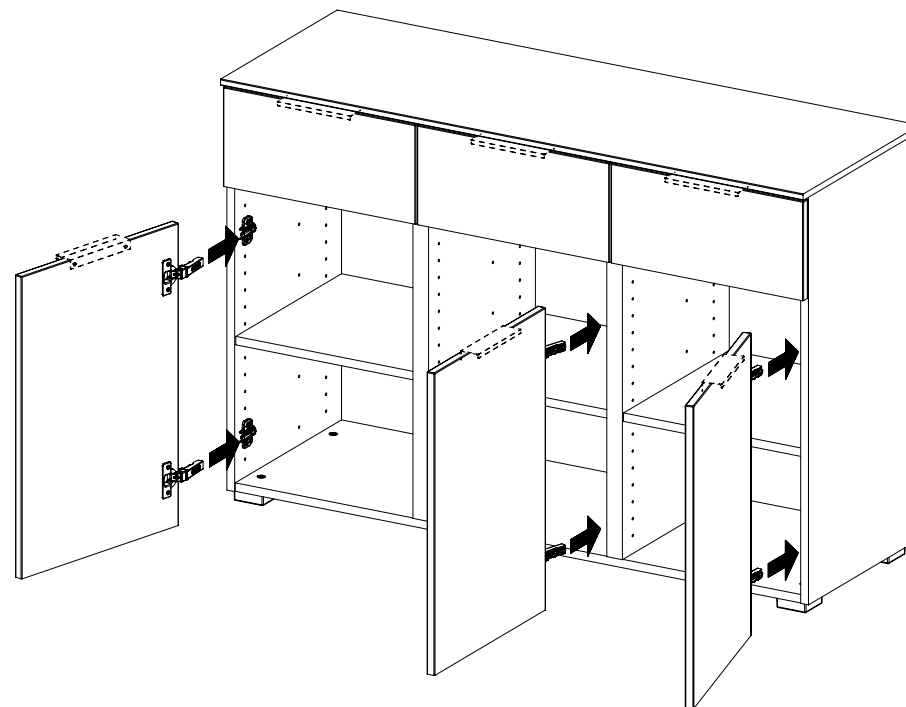
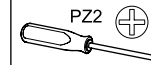
6x (1421)



SCAN ME



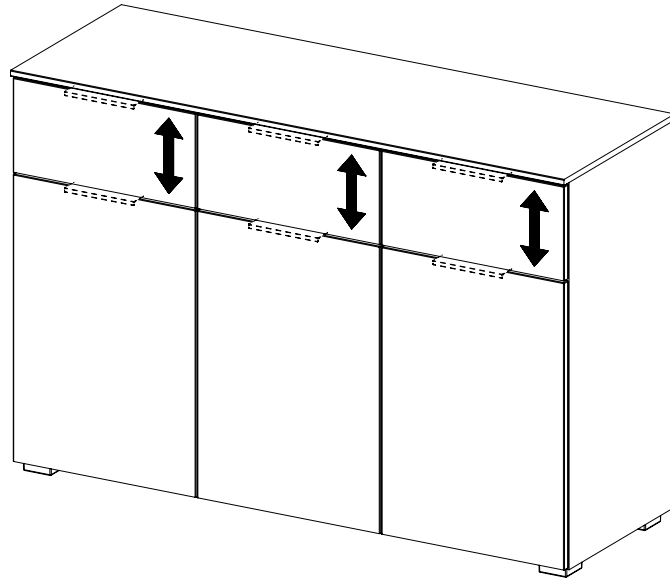
40



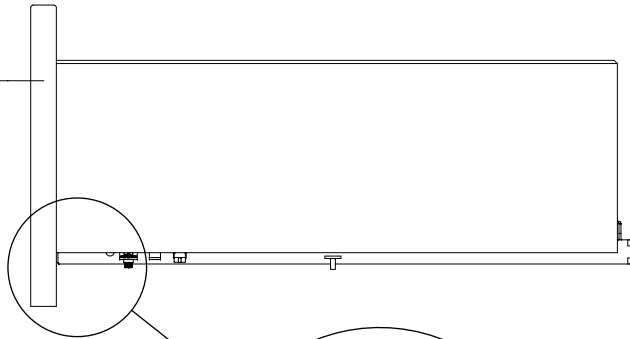
41



SCAN ME

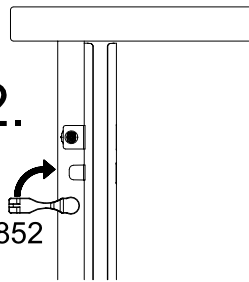


SK010  
SK020  
SK030

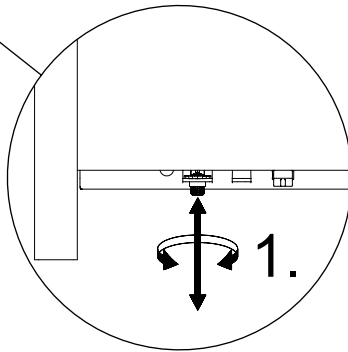


2.

852

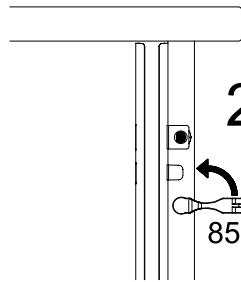


1.



2.

852



42



SCAN ME

