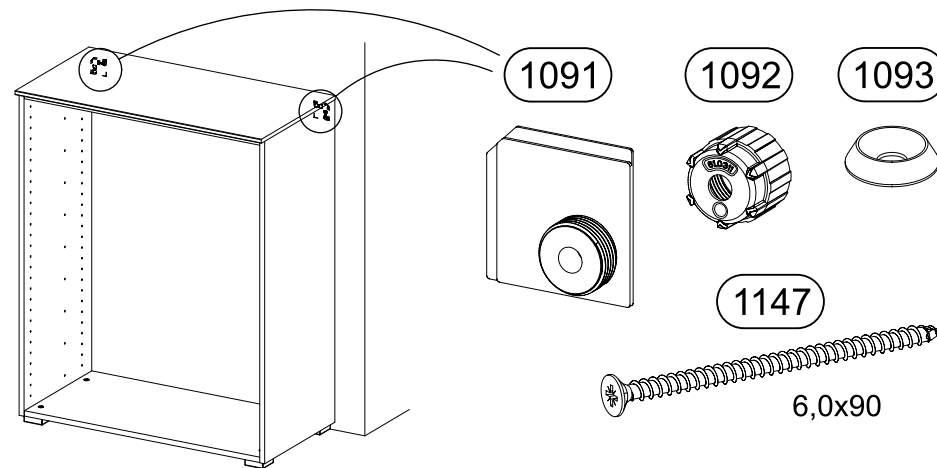
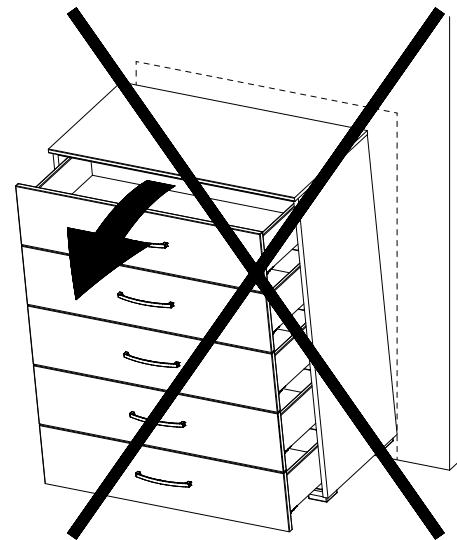
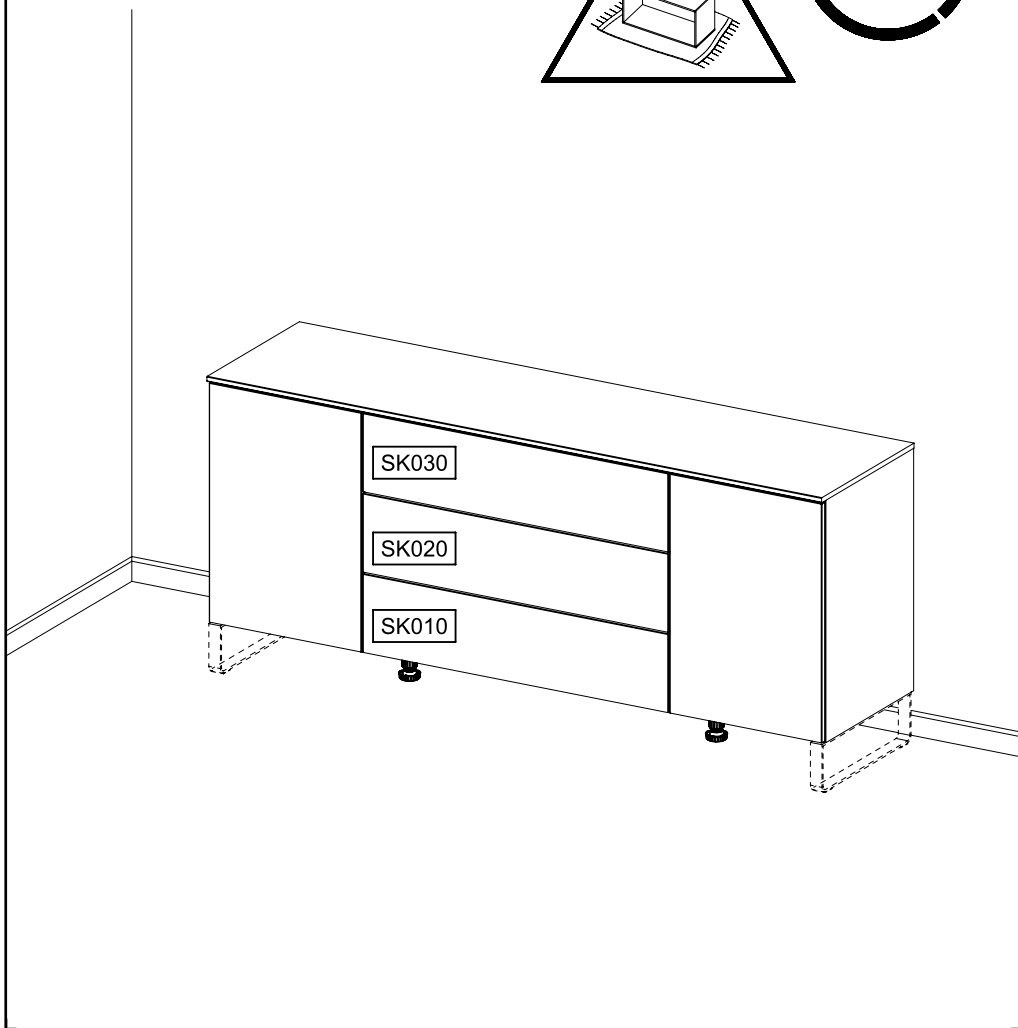
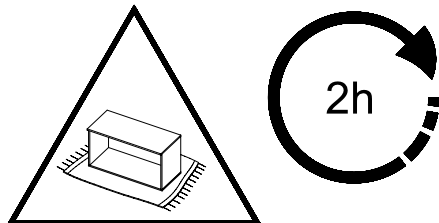
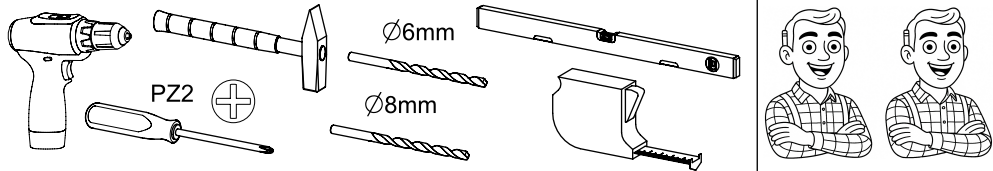


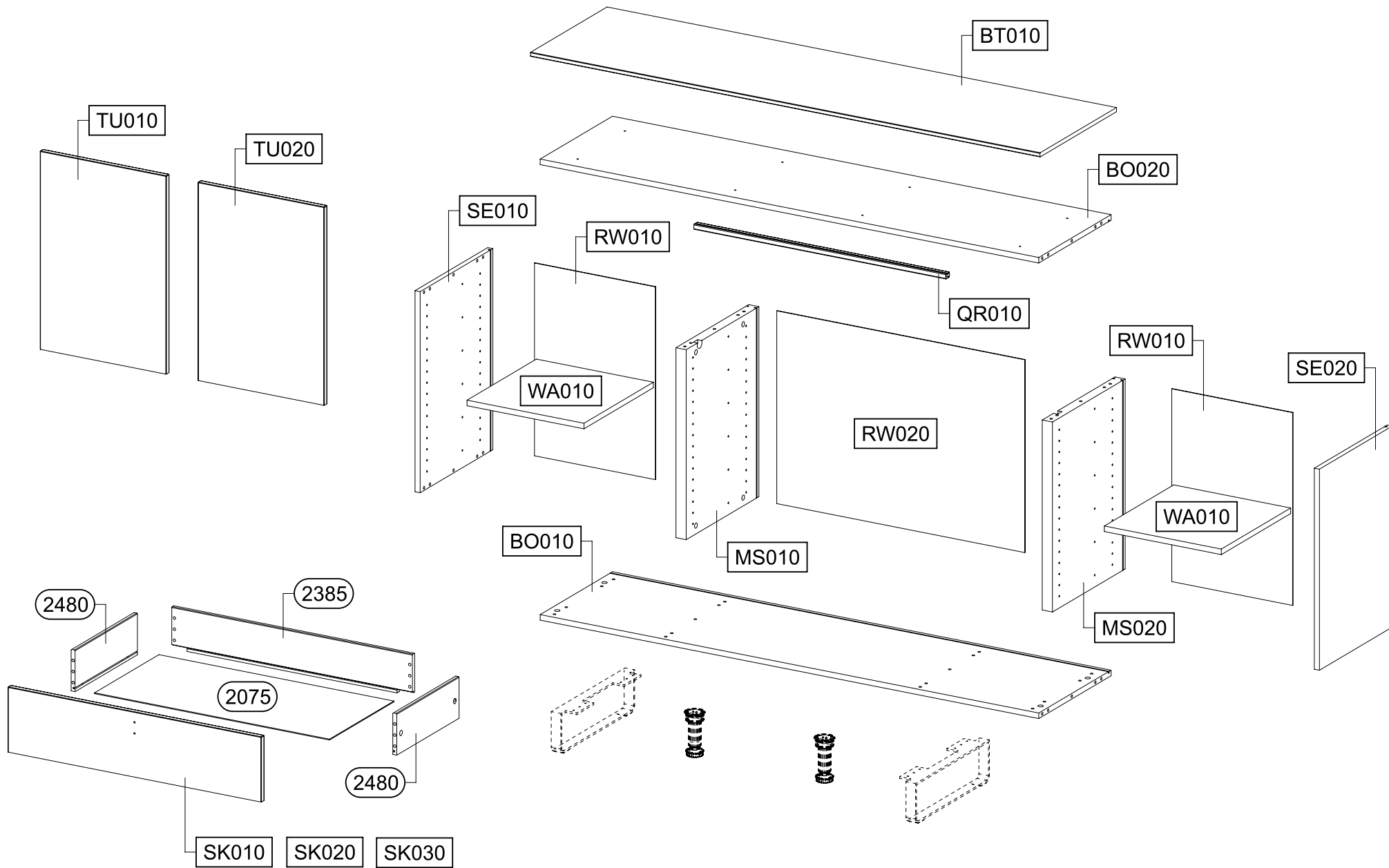
# M3118\_02

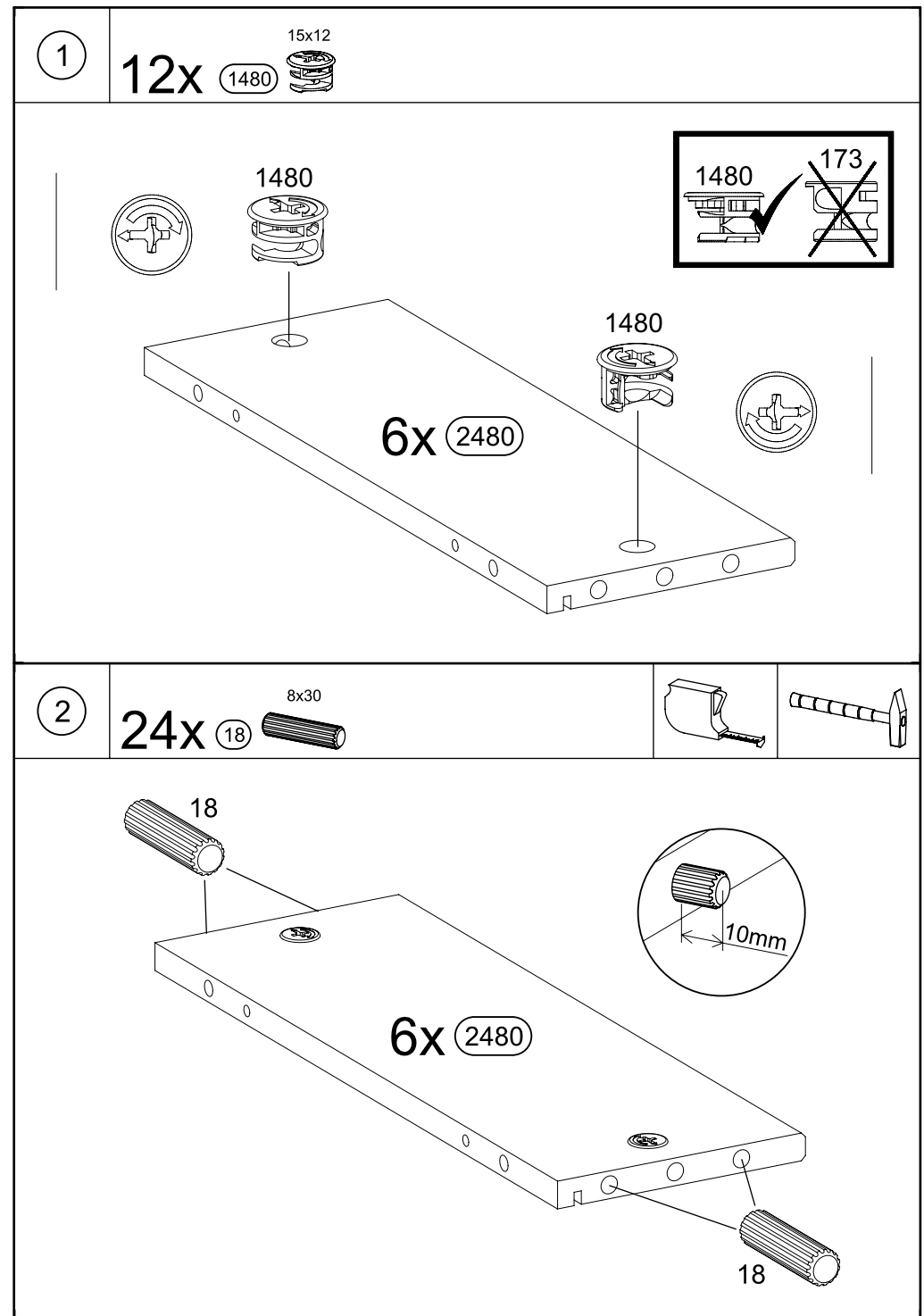
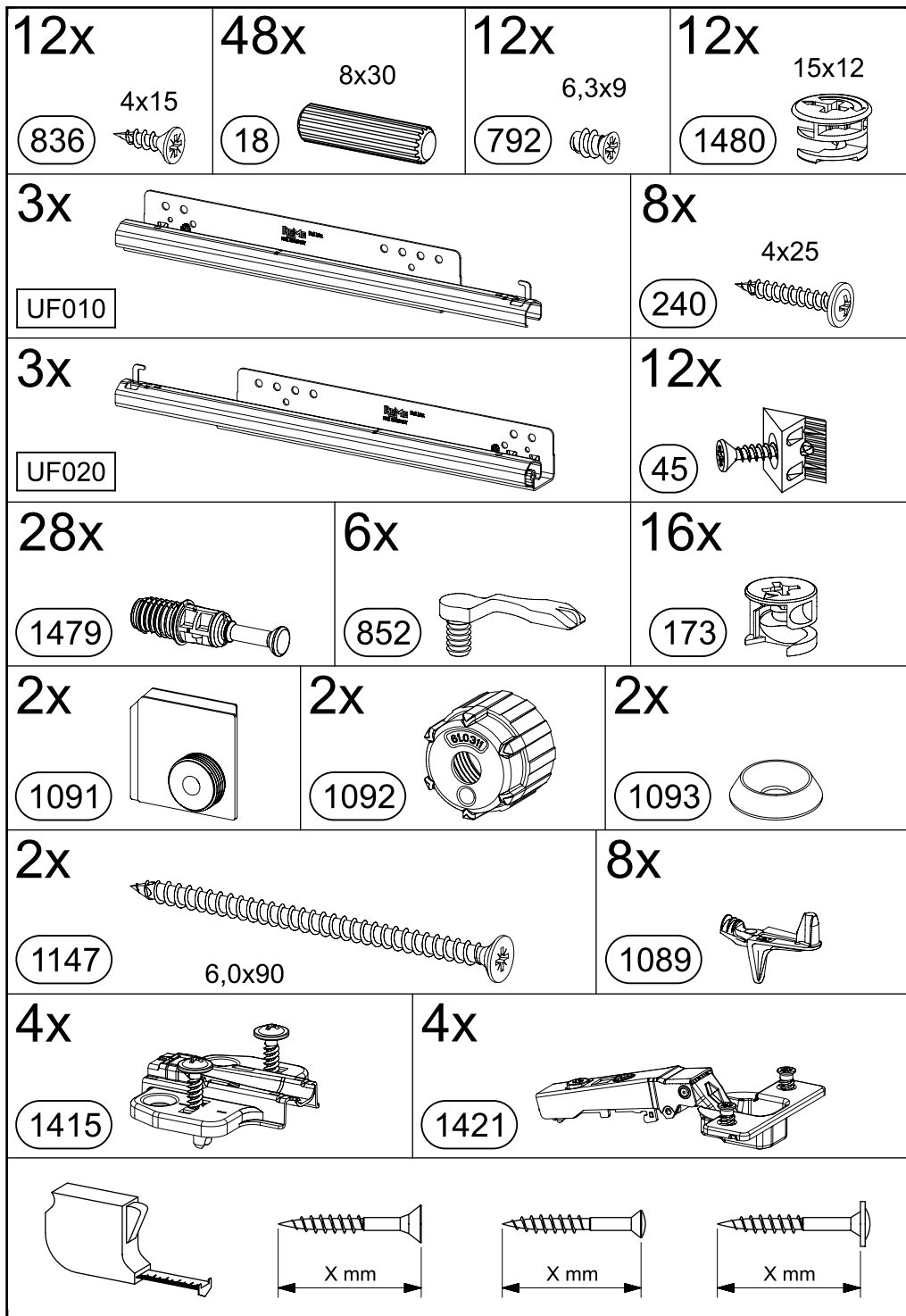


VIDEO



SCAN ME





3



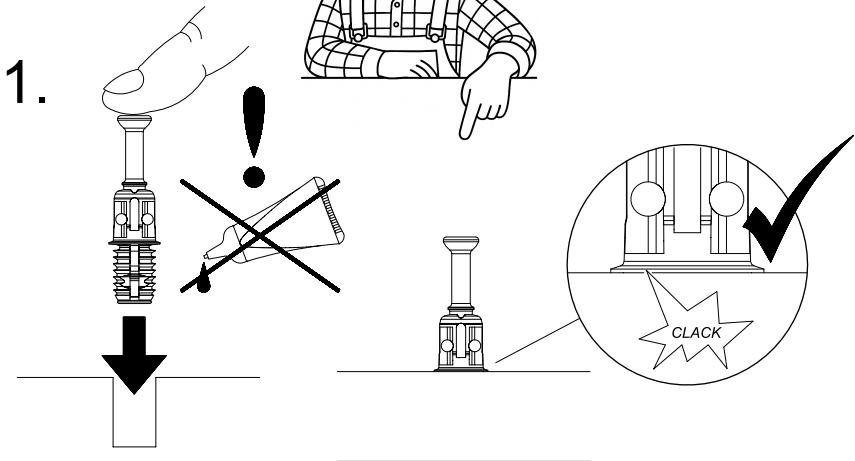
# Function!



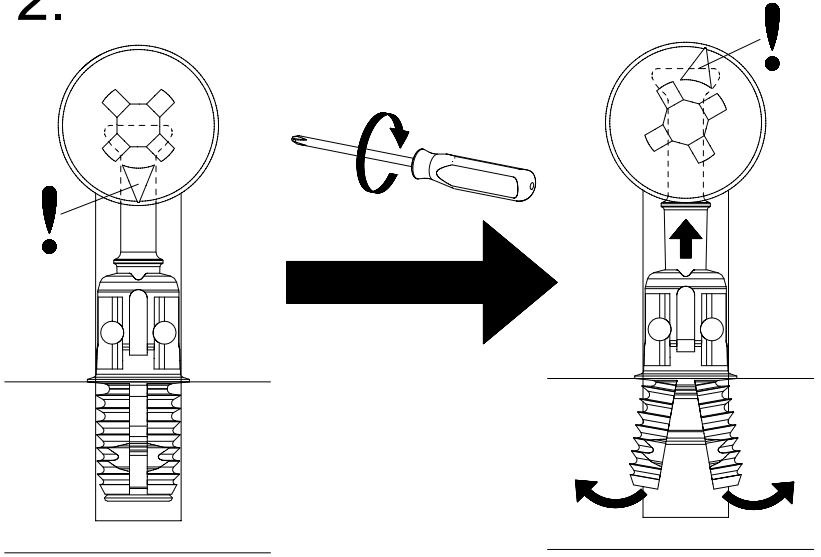
Scan Me



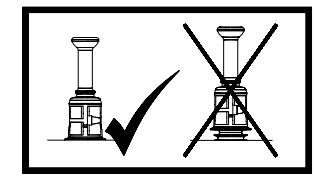
1.



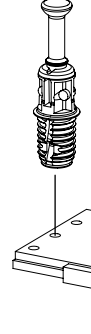
2.



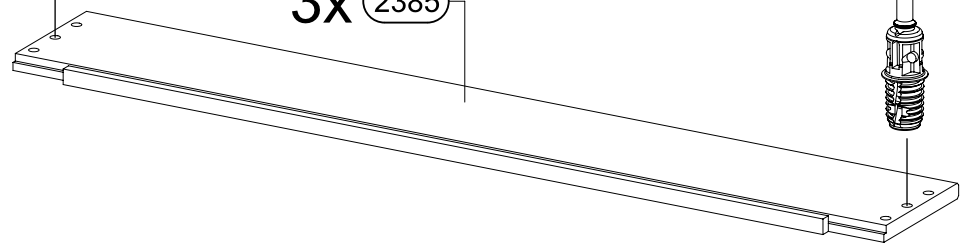
4



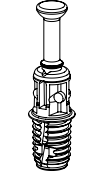
1479



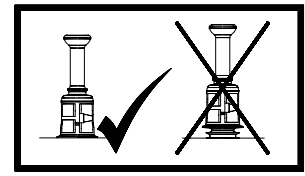
3x 2385



1479

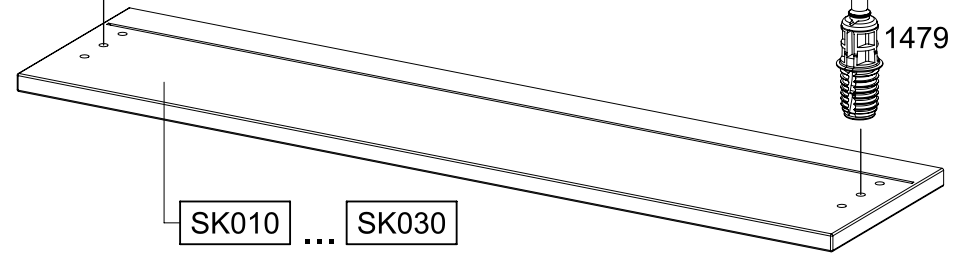


5

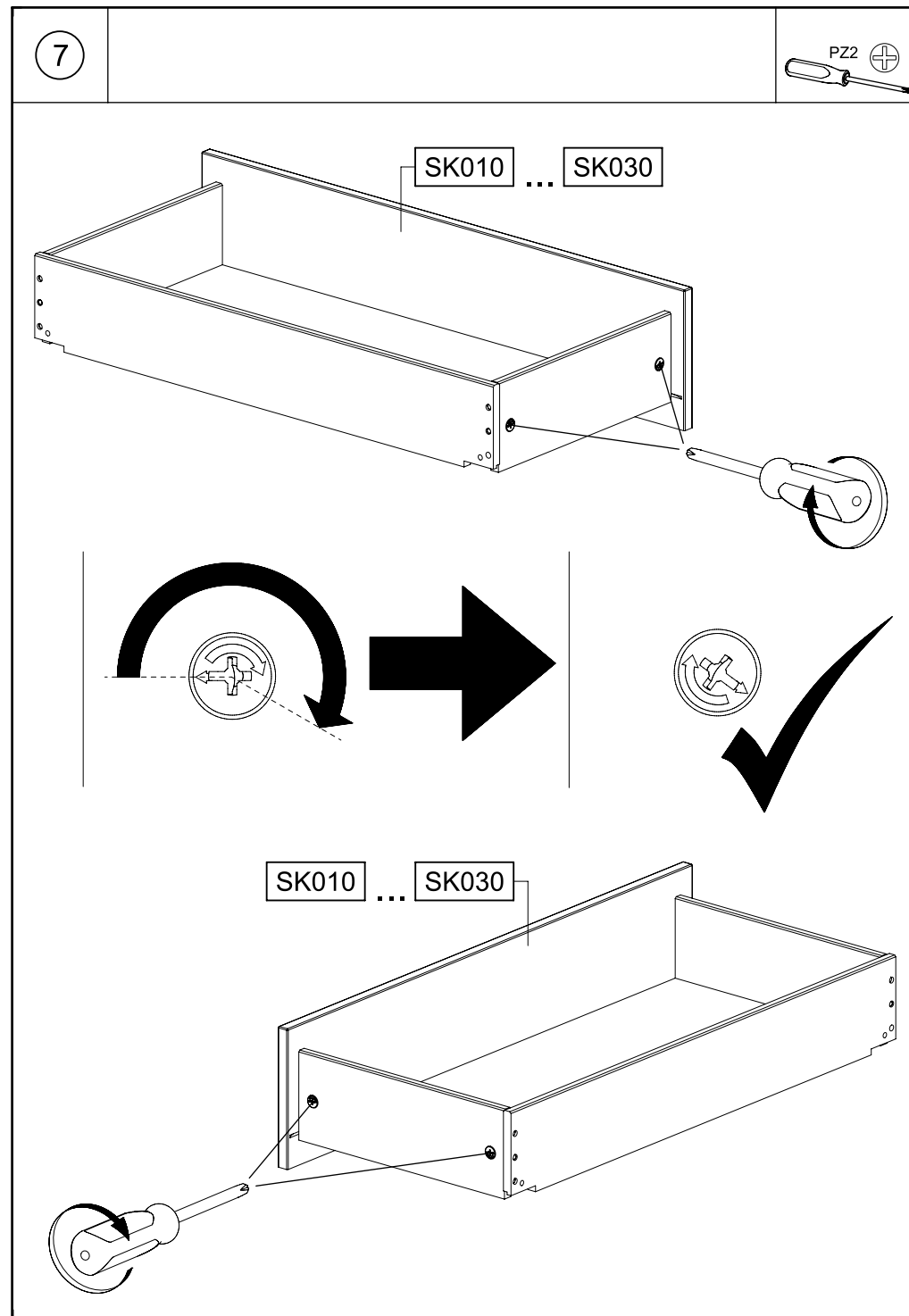
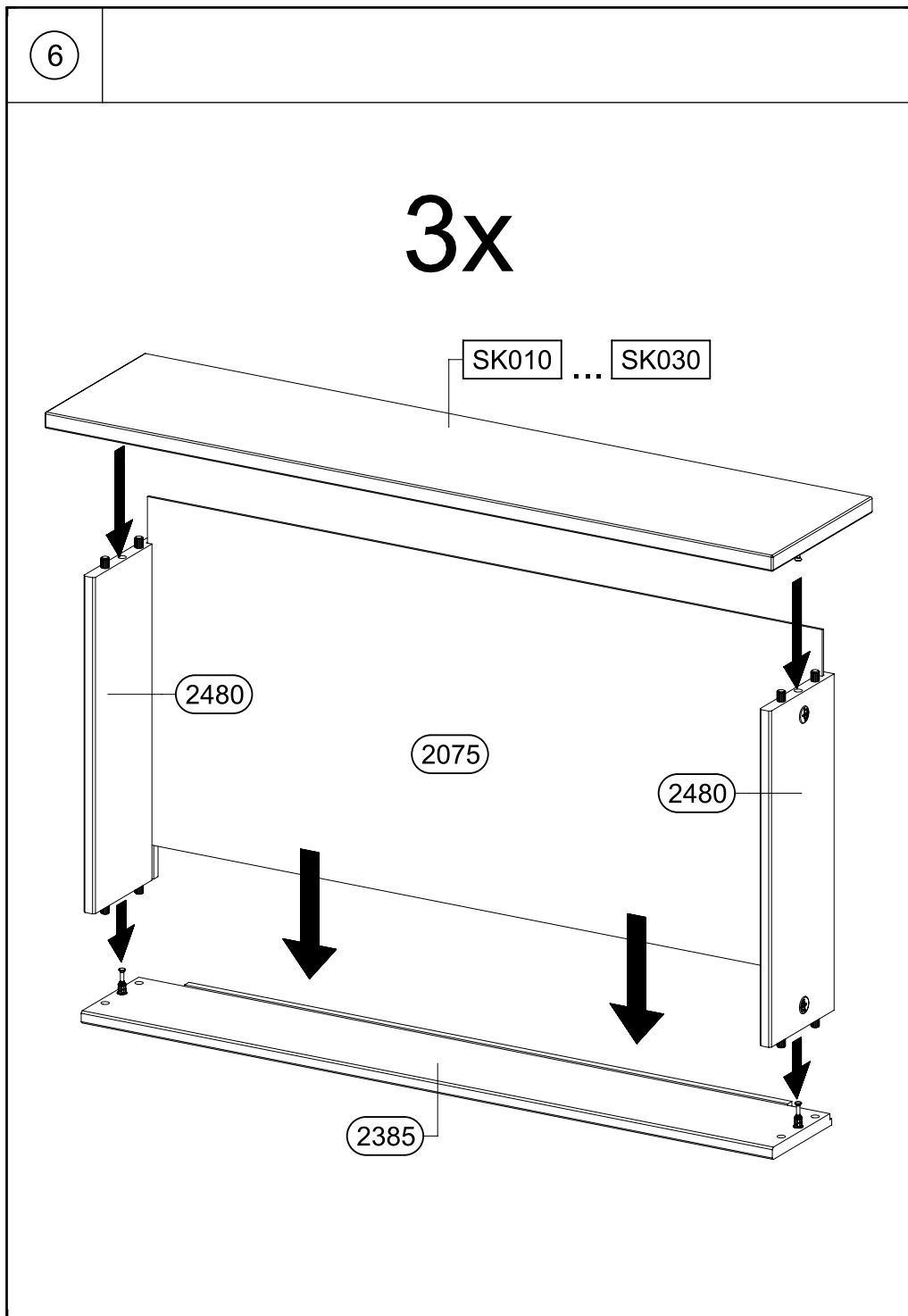


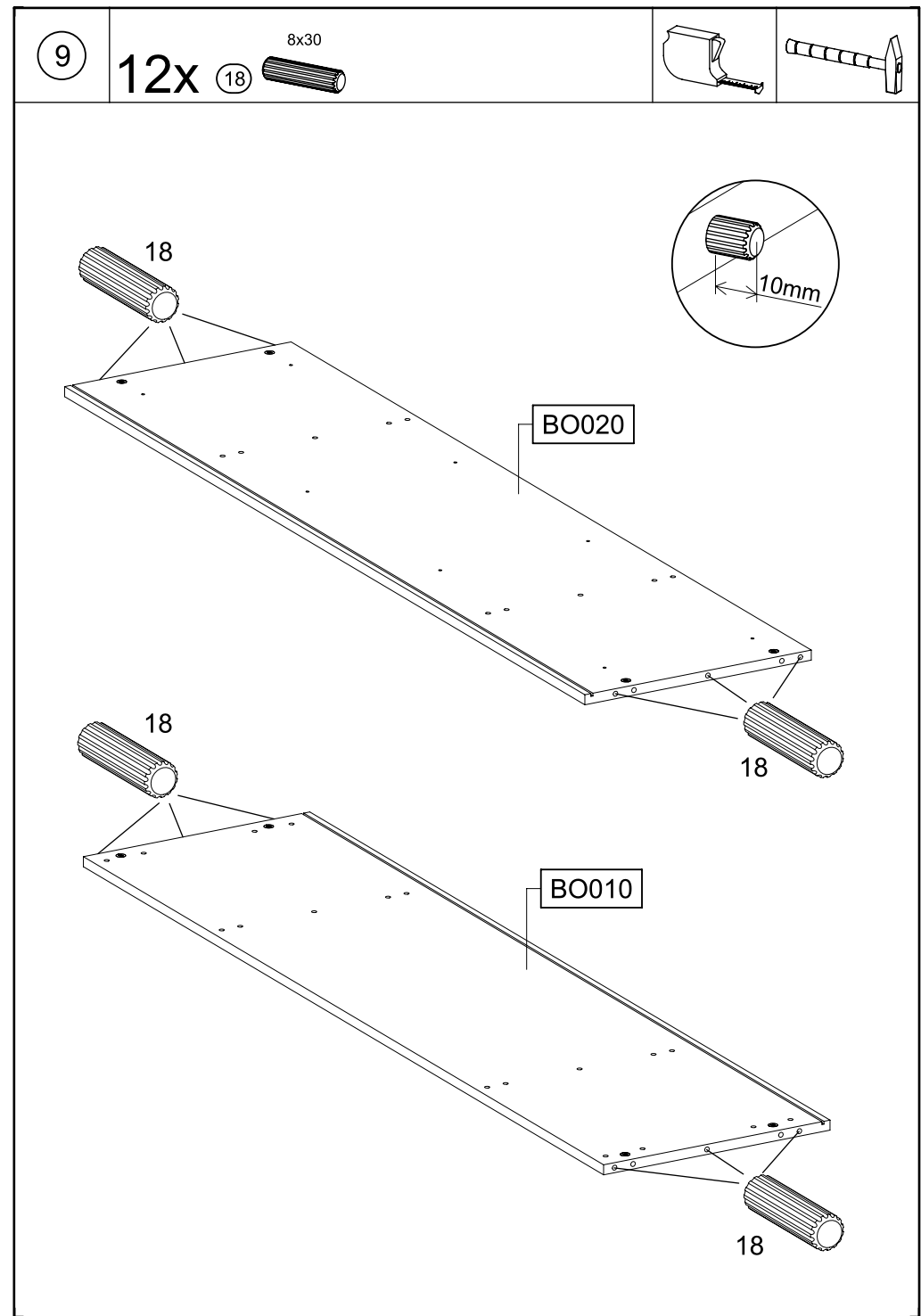
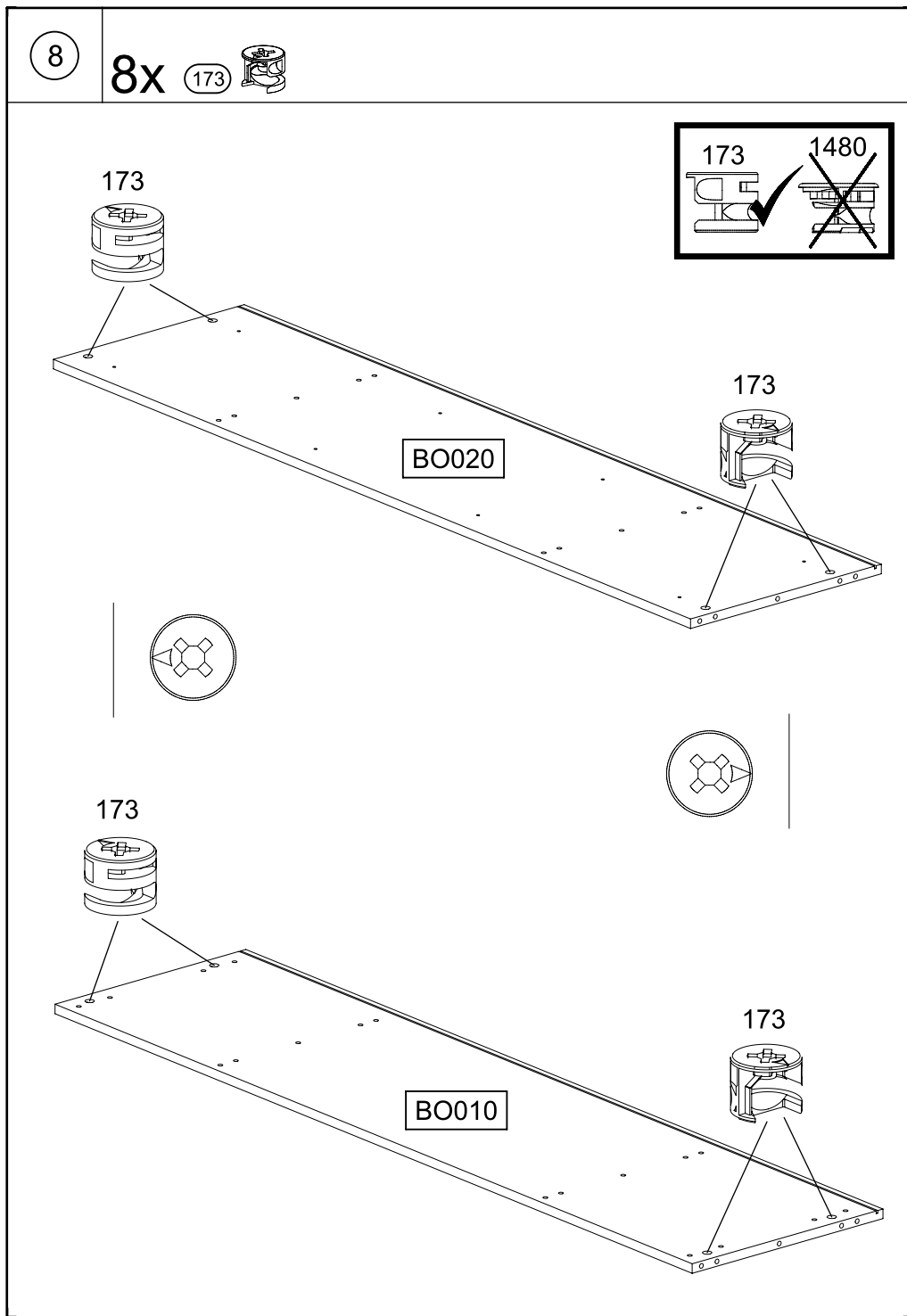
1479

SK010 ... SK030



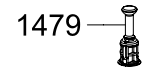
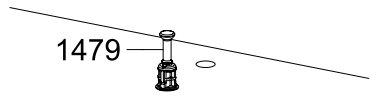
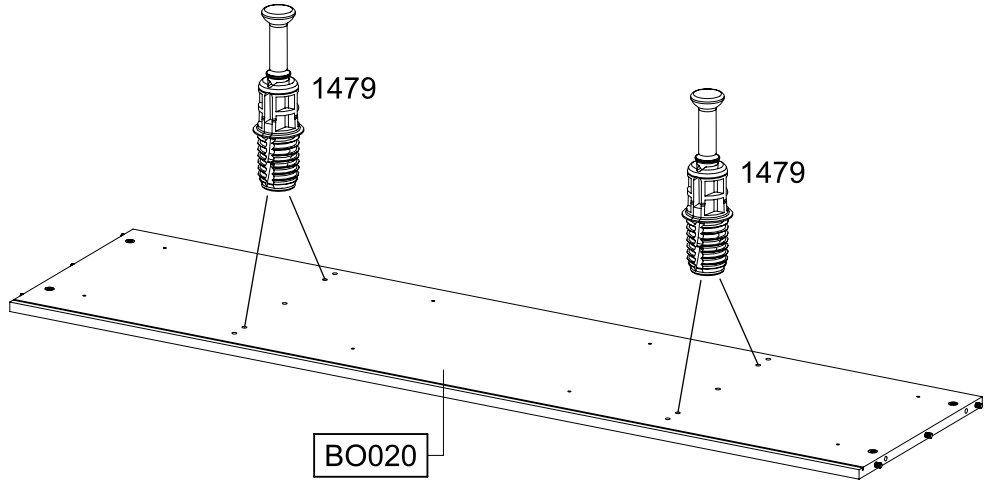
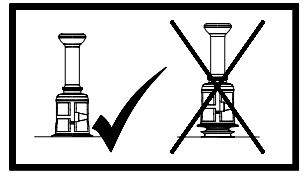
1479





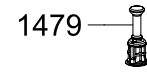
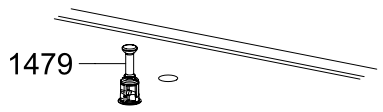
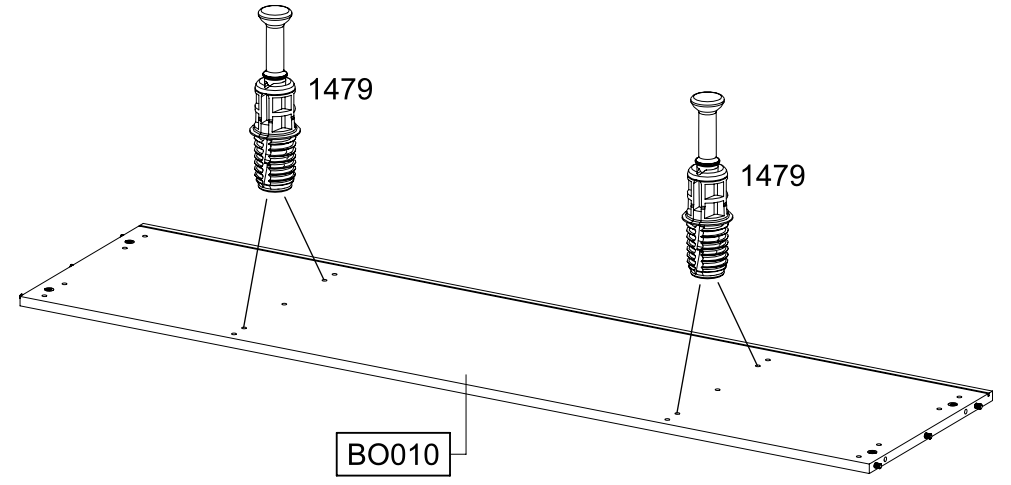
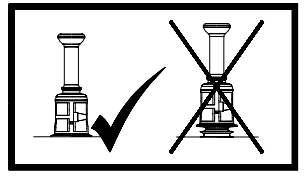
10

4x 1479 



11

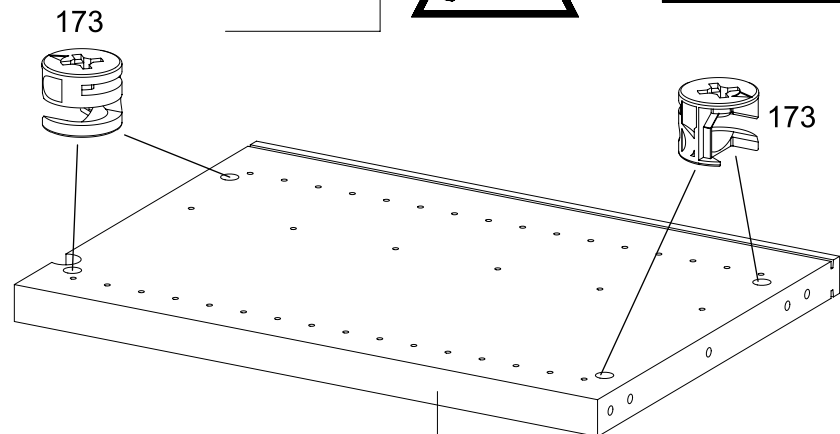
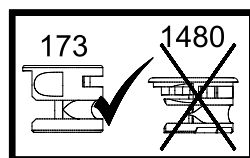
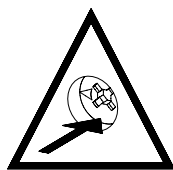
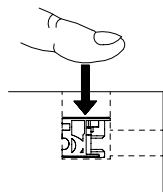
4x 1479 



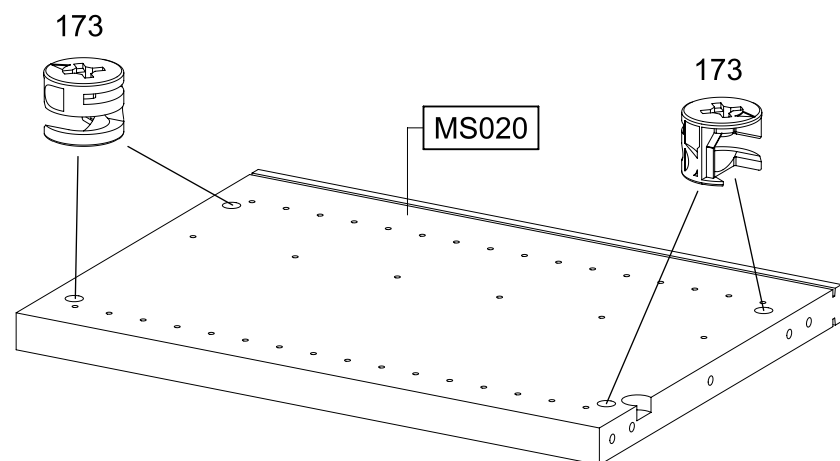
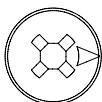
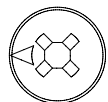
12

8x

173



MS010



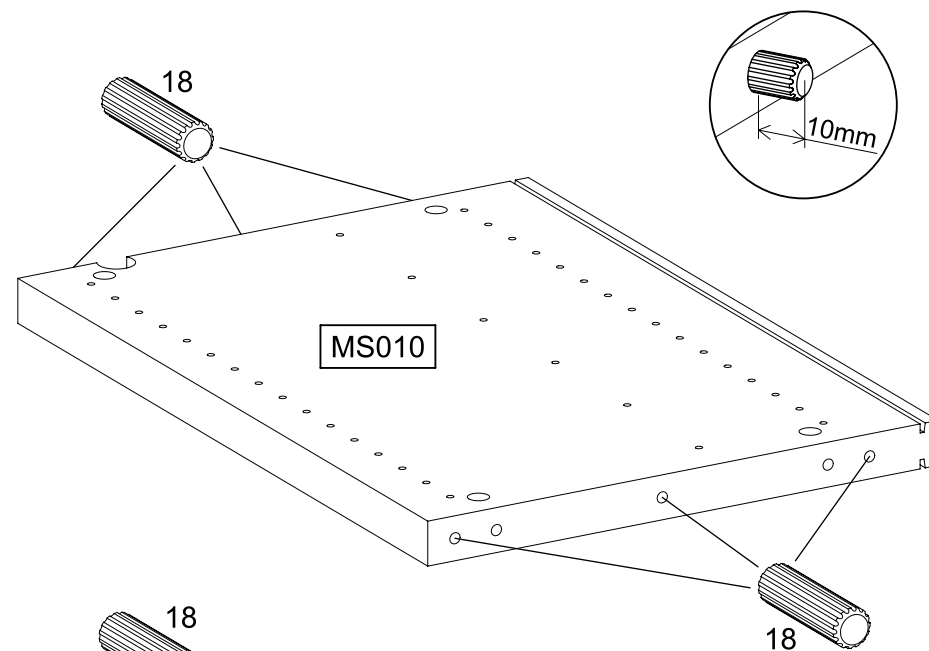
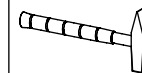
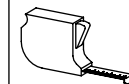
MS020

13

12x

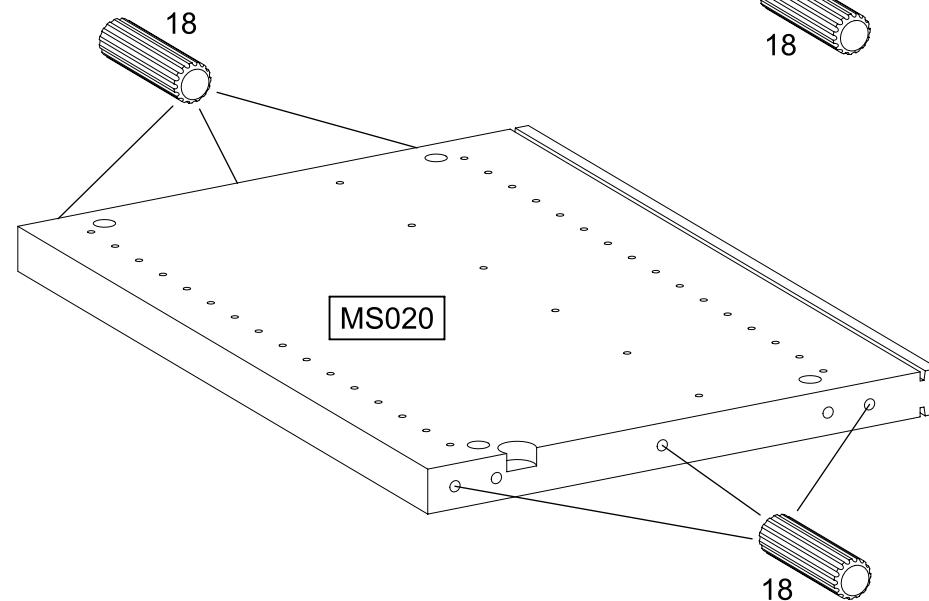
18

8x30



MS010

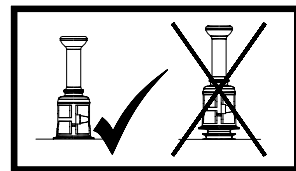
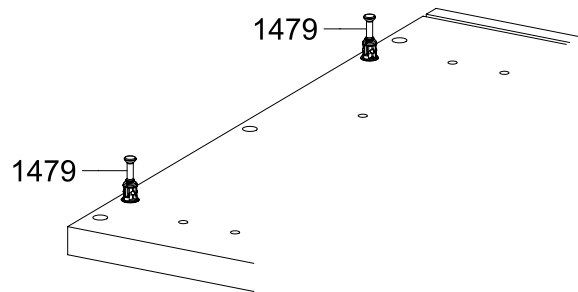
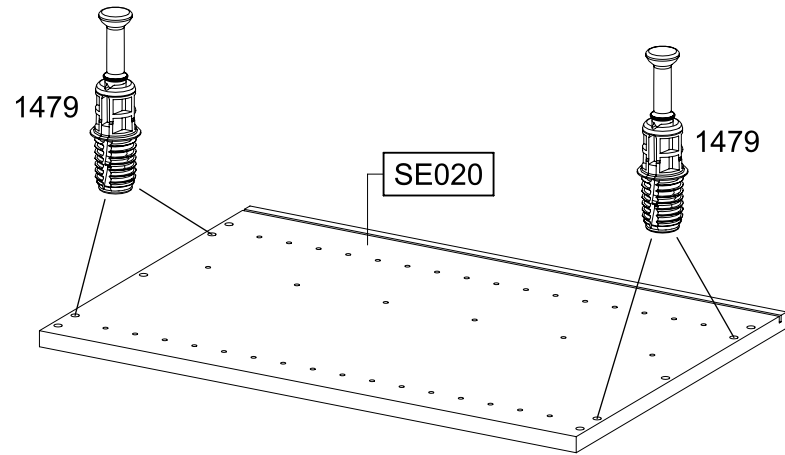
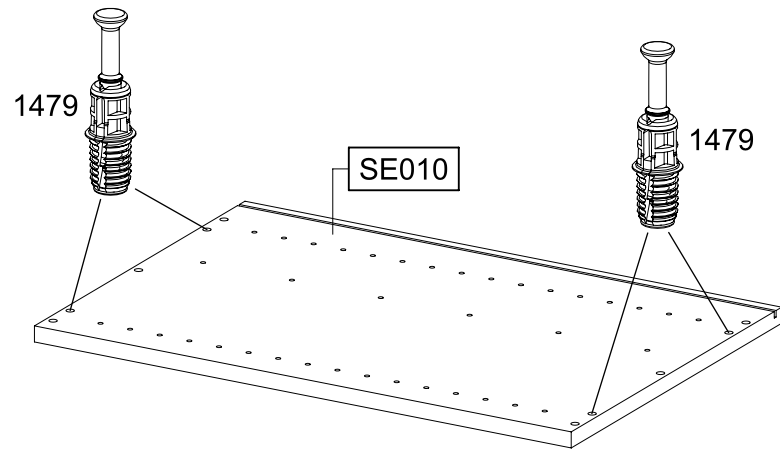

18



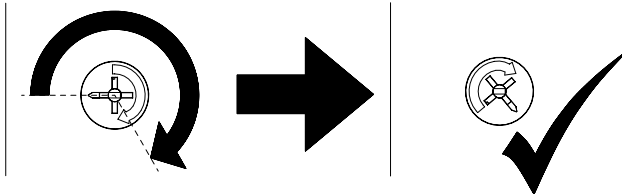
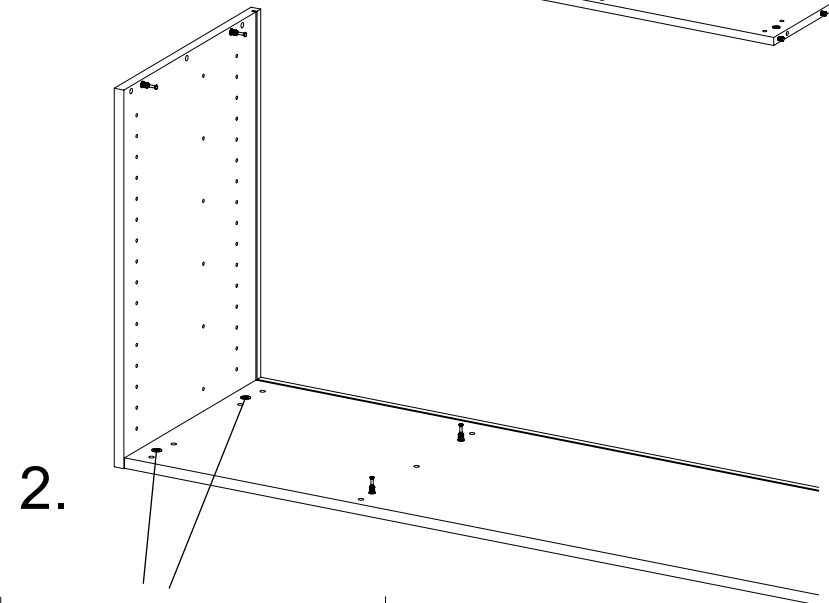
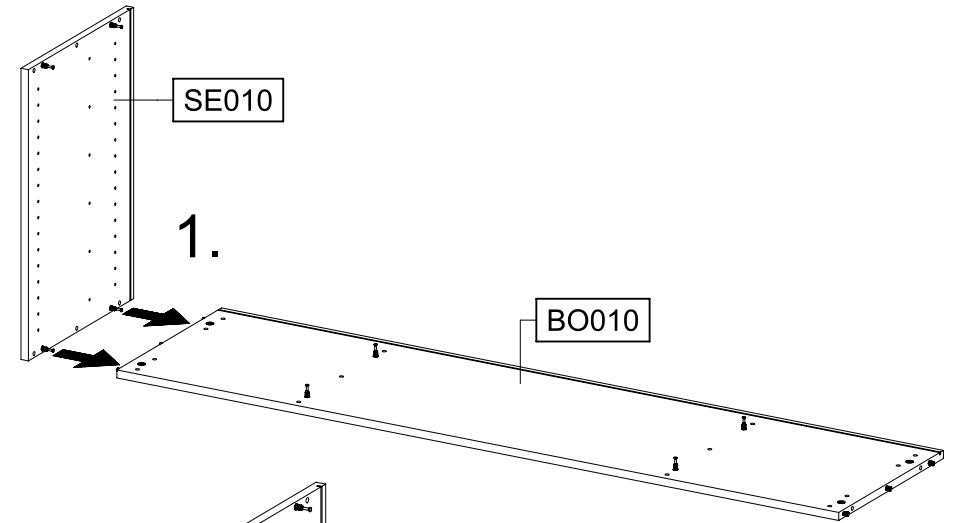
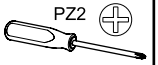
MS020

18

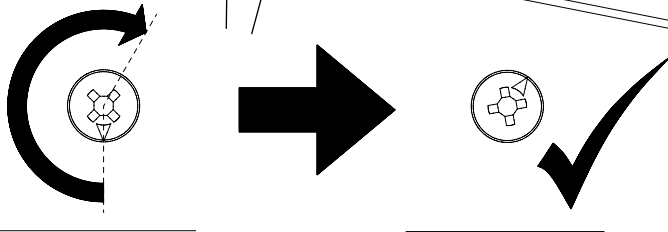
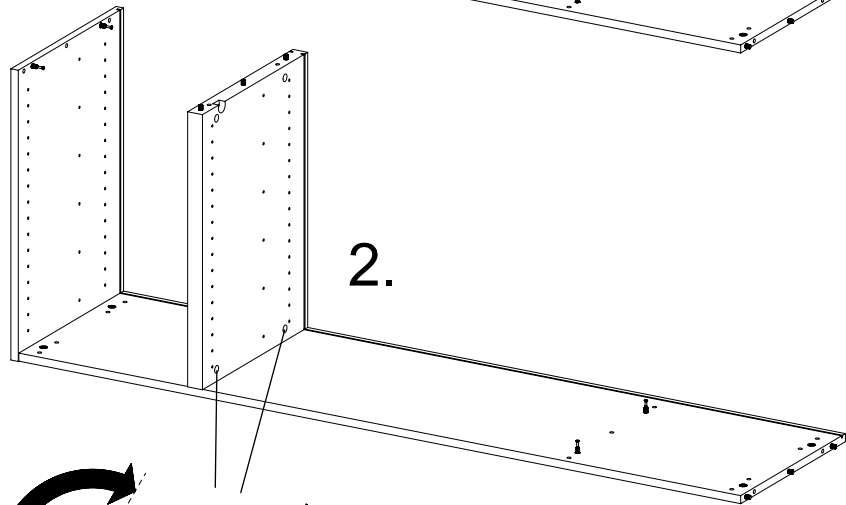
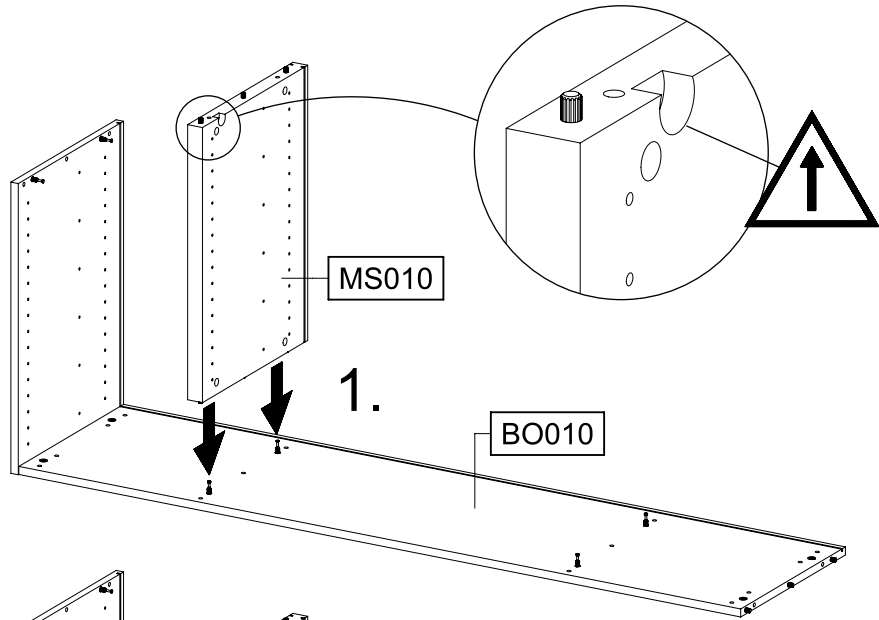
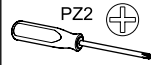
14

8x 1479 

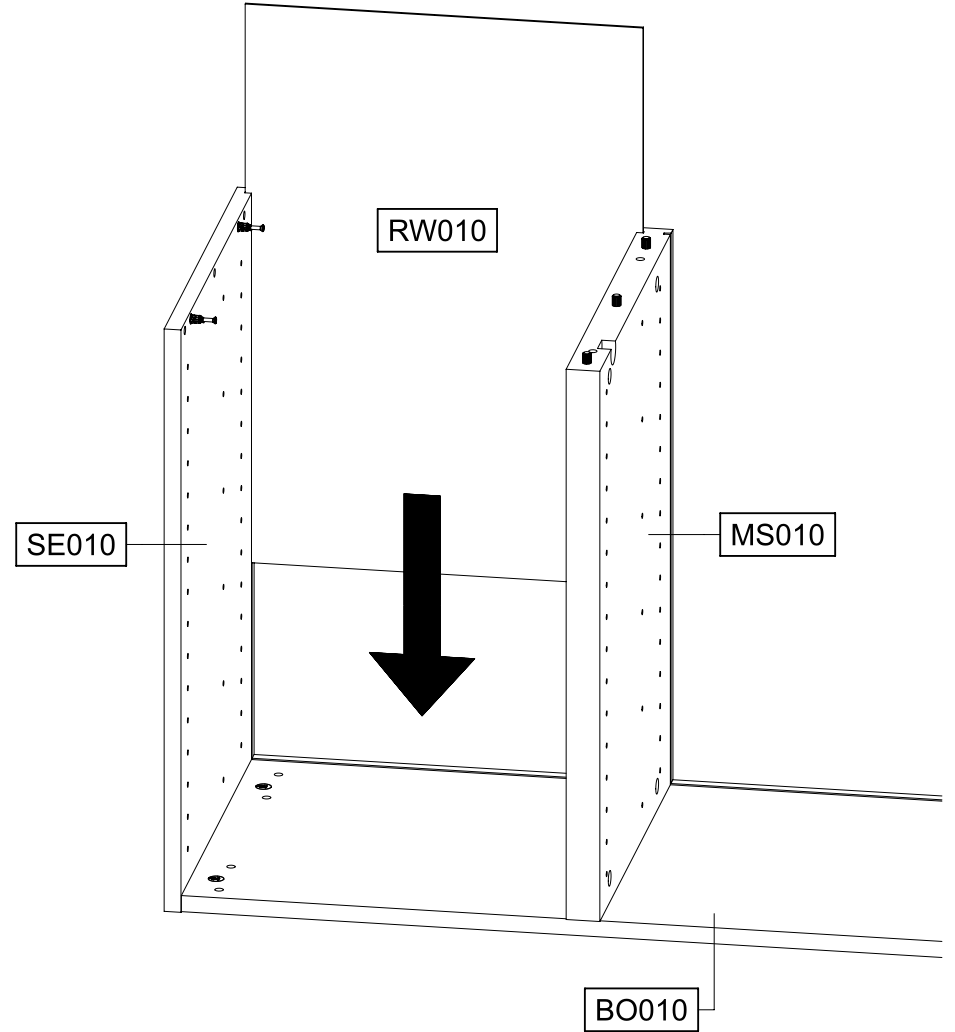
15

PZ2 

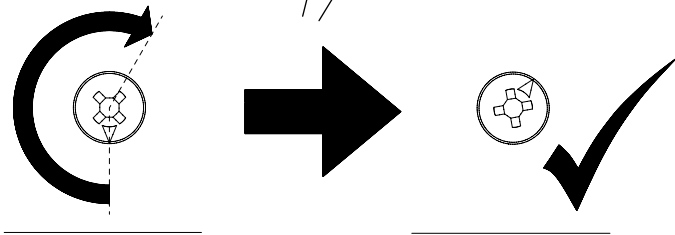
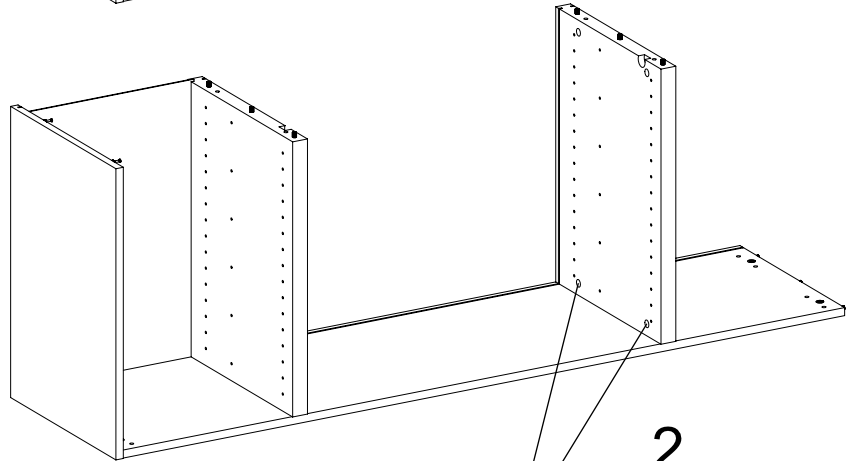
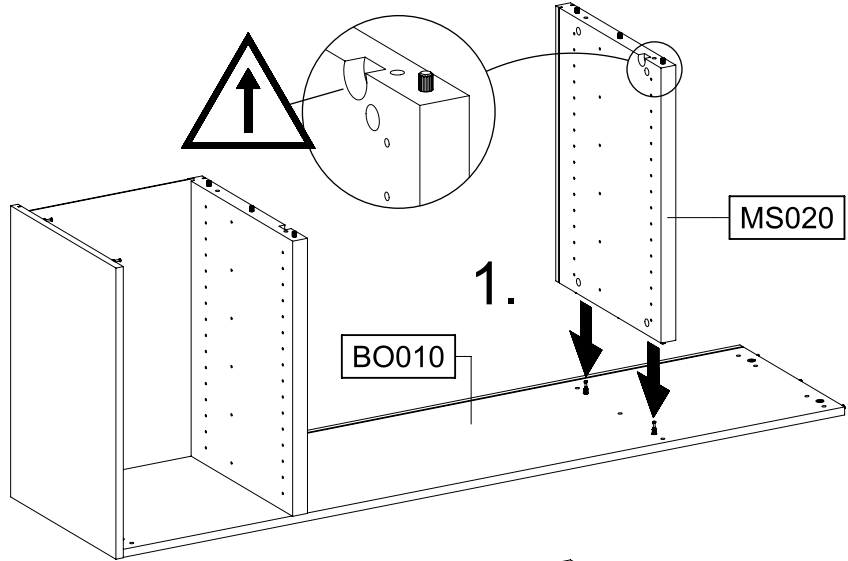
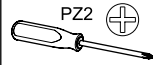
16



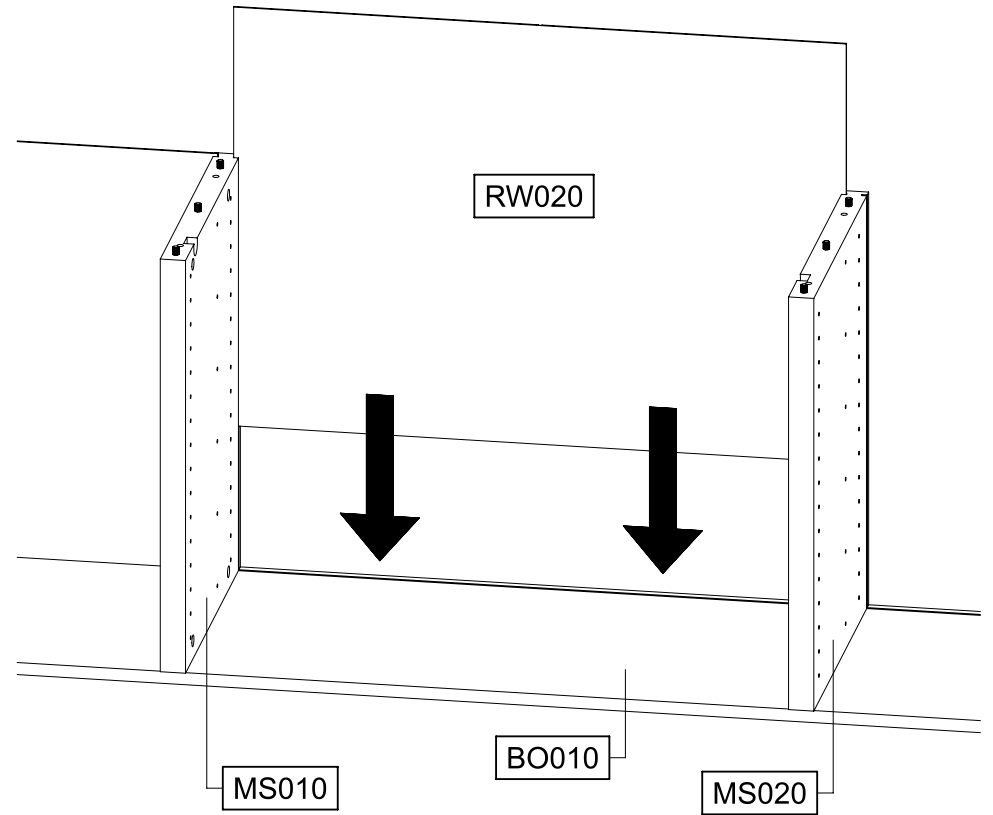
17



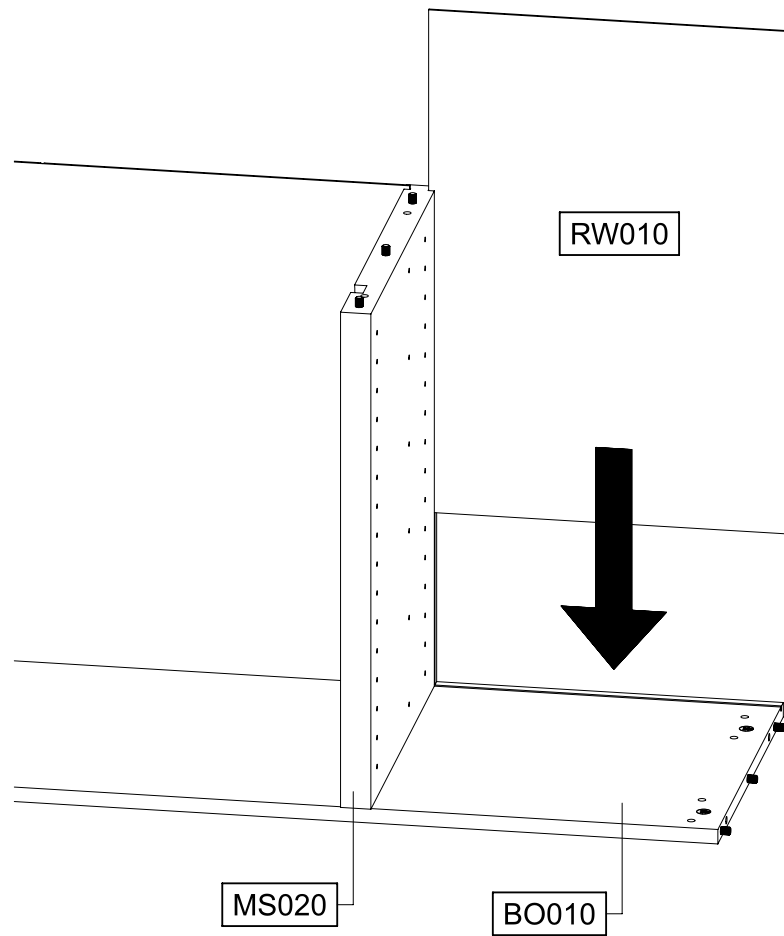
18



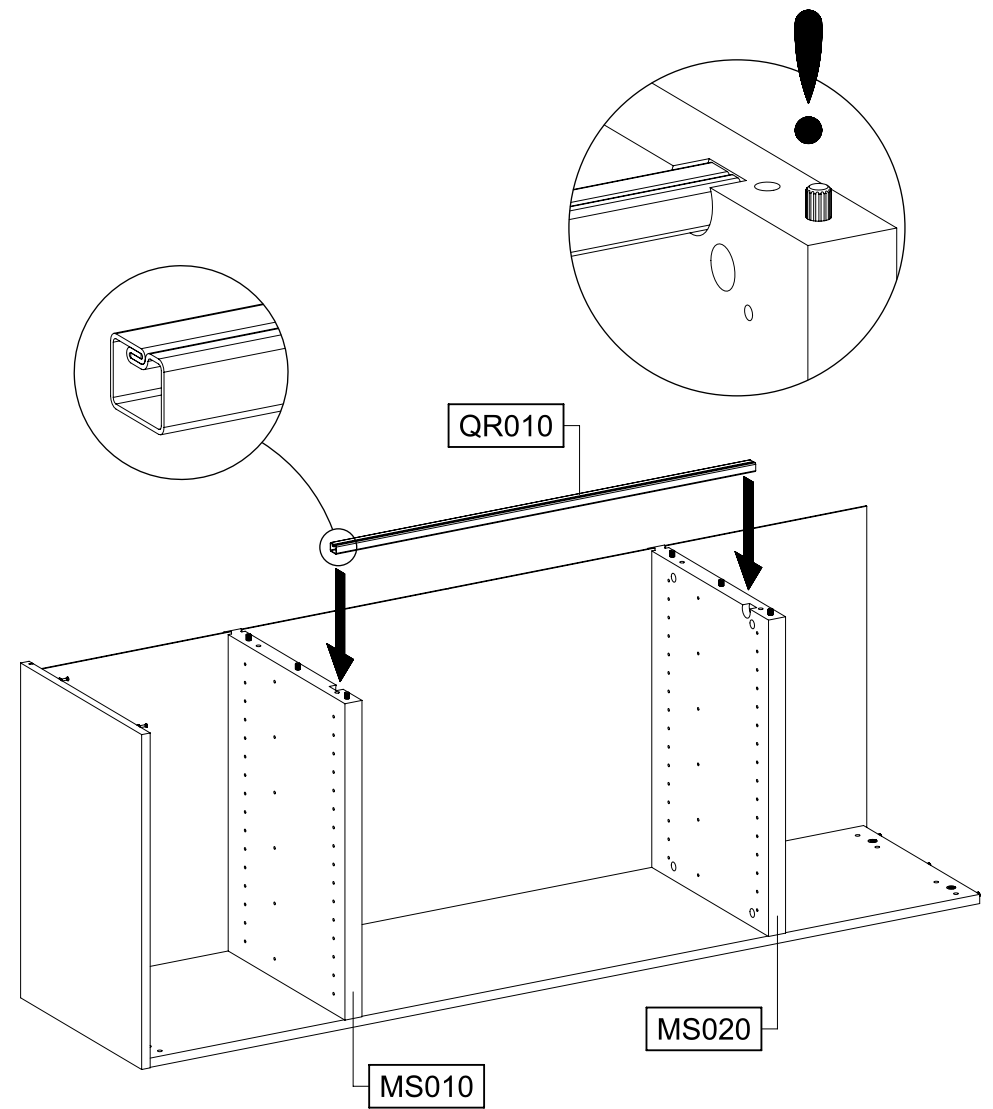
19



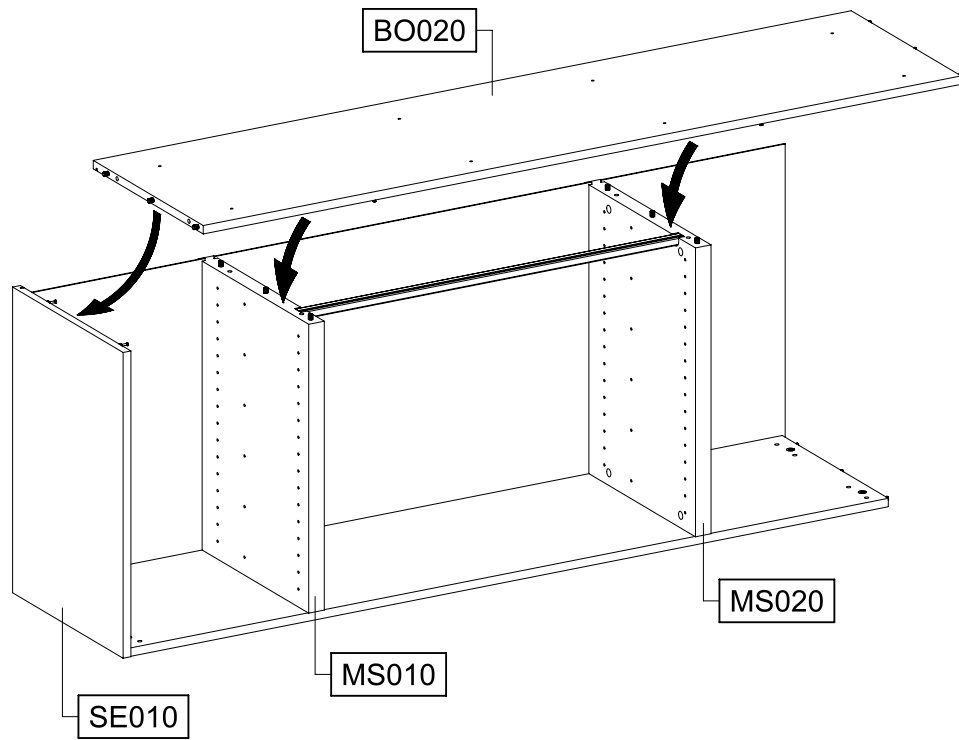
20



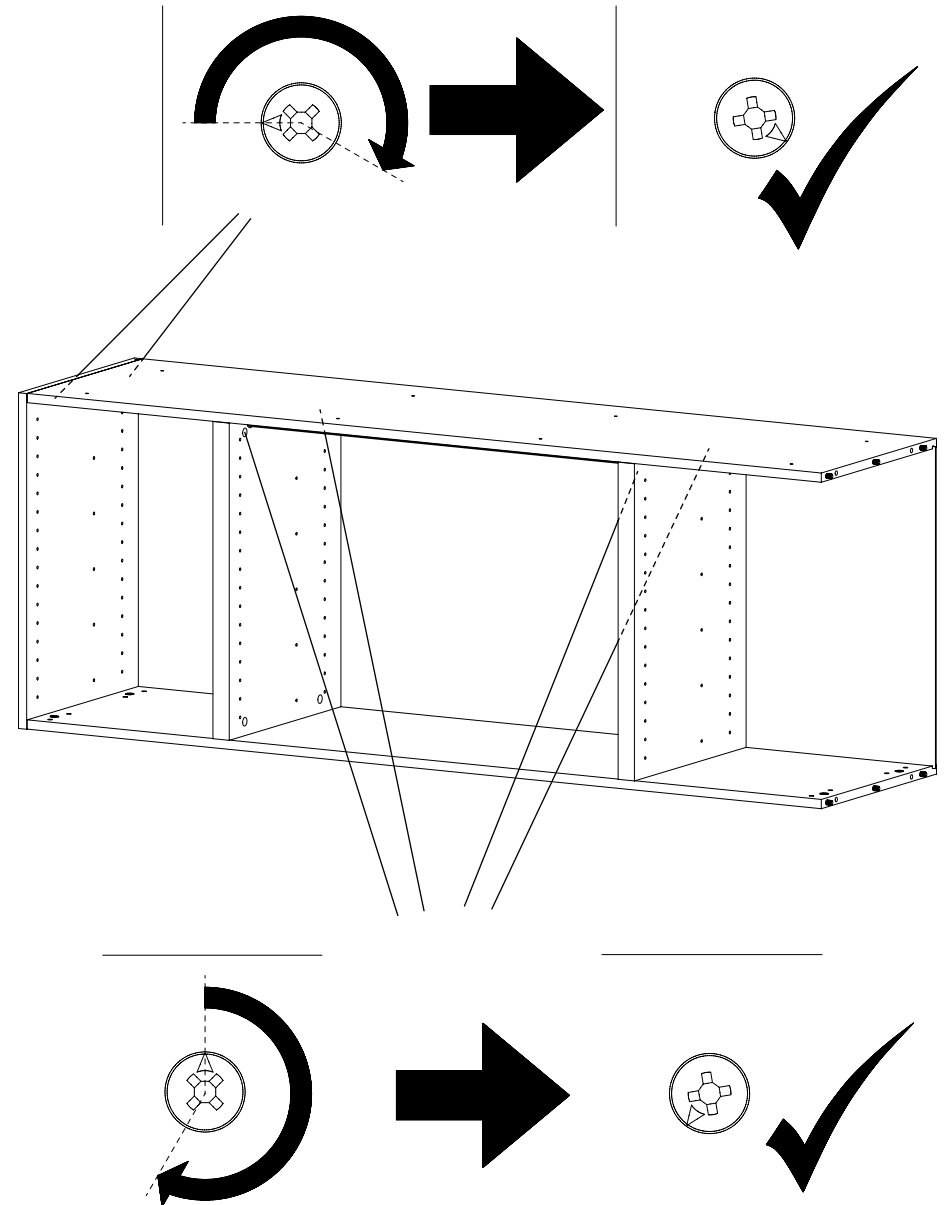
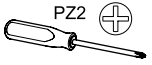
21



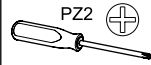
22



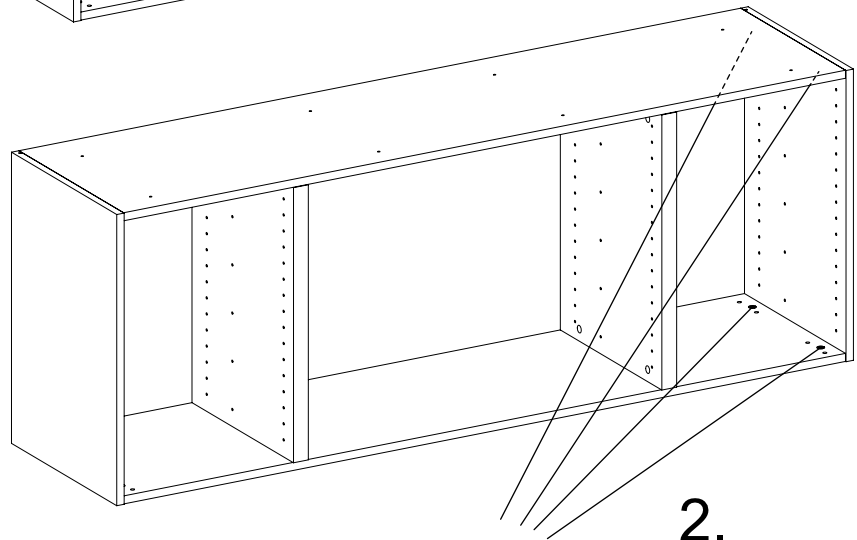
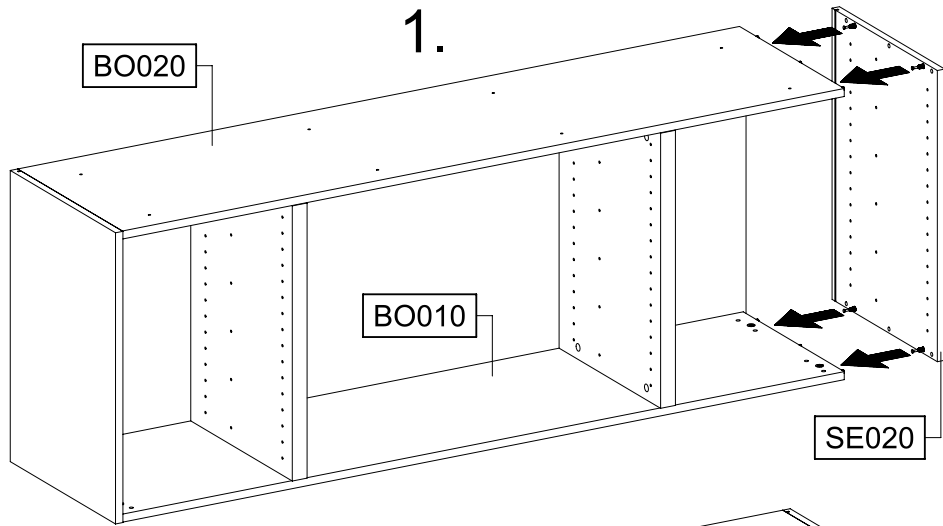
23



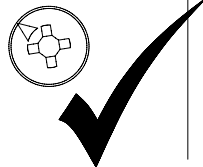
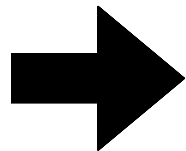
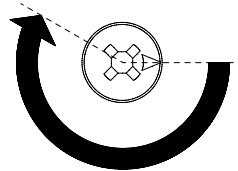
24



1.



2.

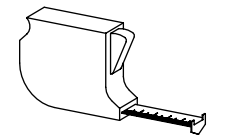
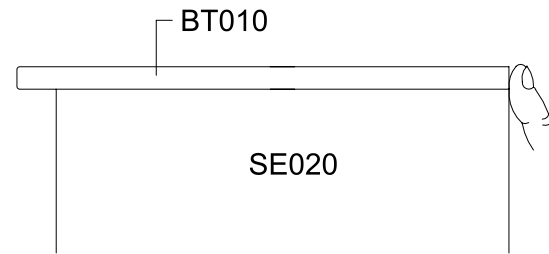
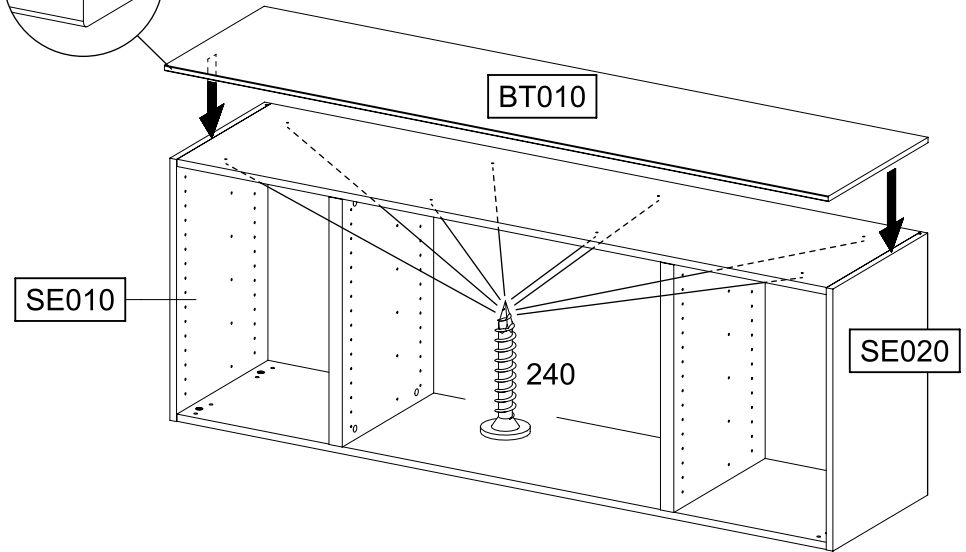
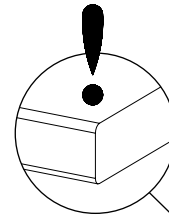
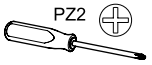
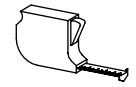


25

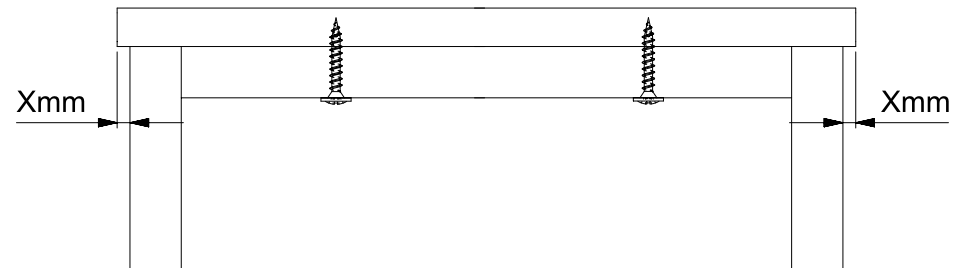
8x

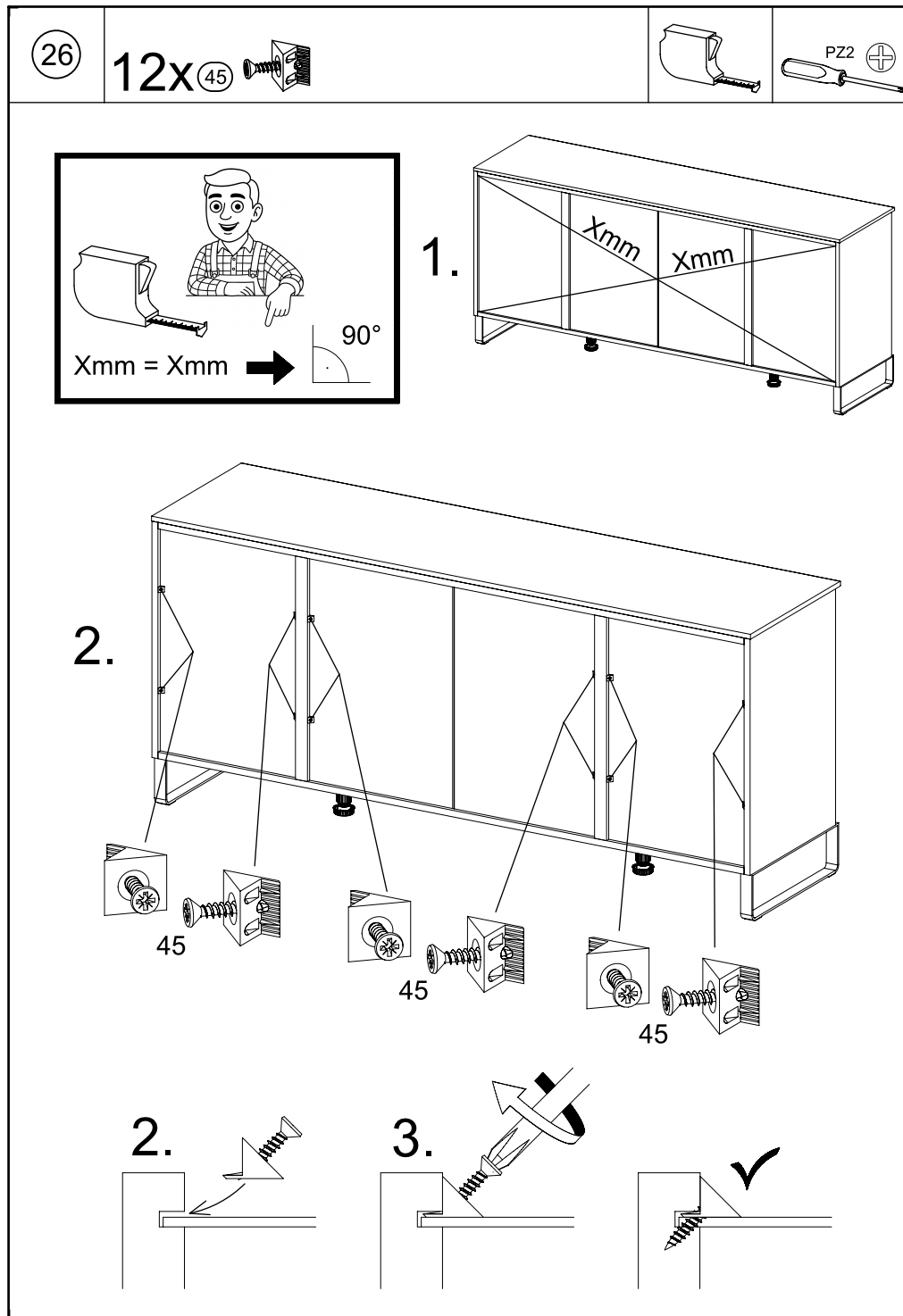
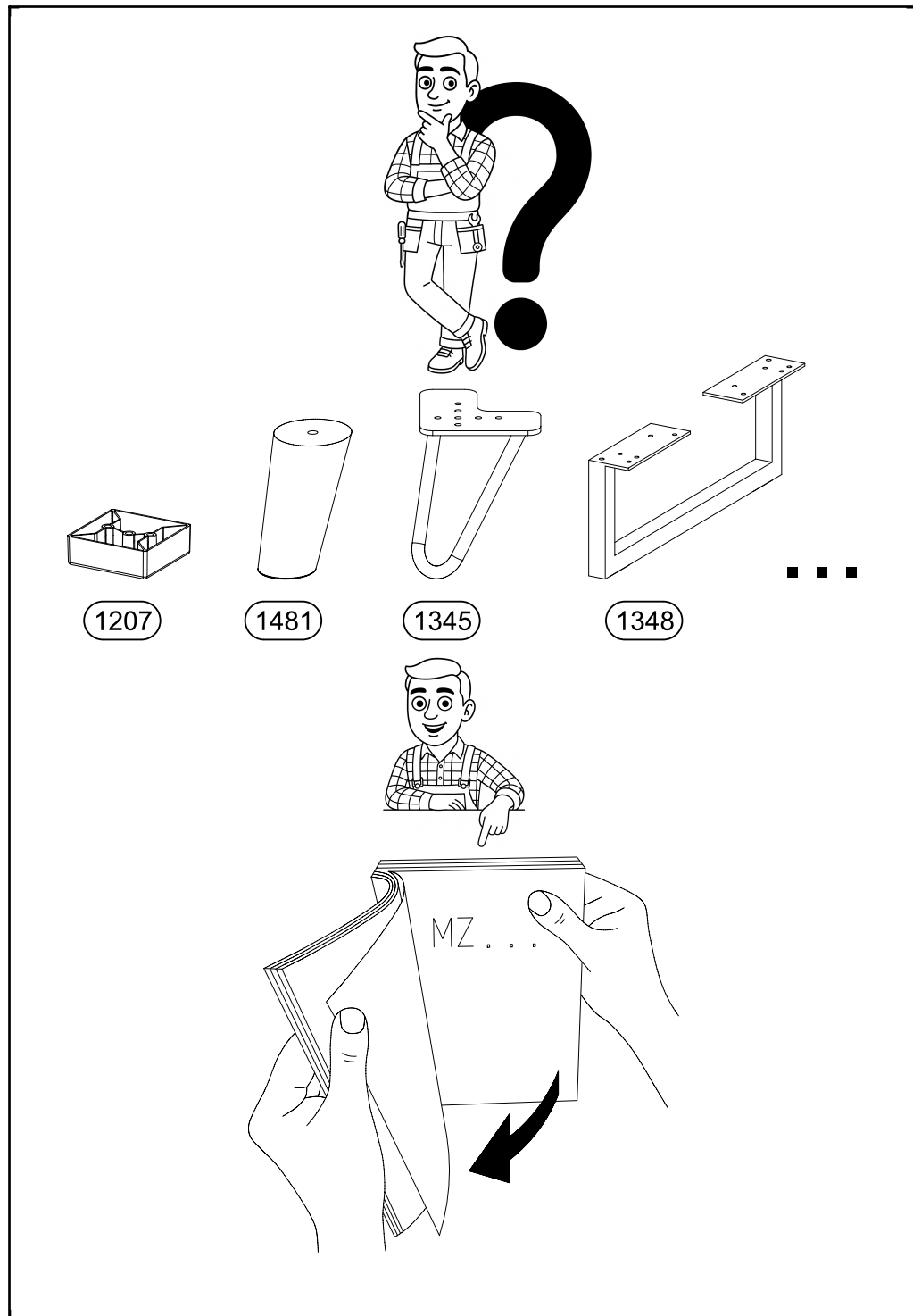
240

4x25



Xmm=Xmm





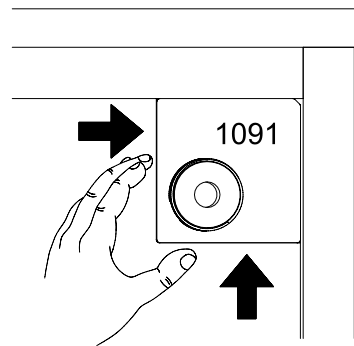
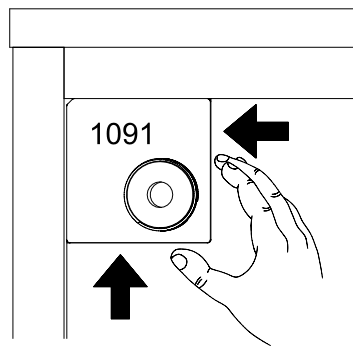
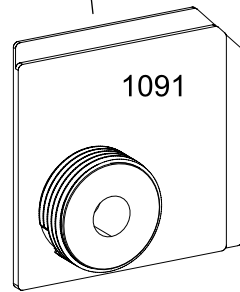
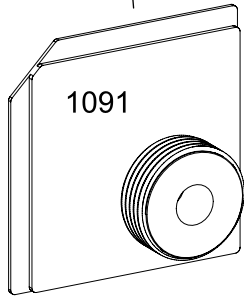
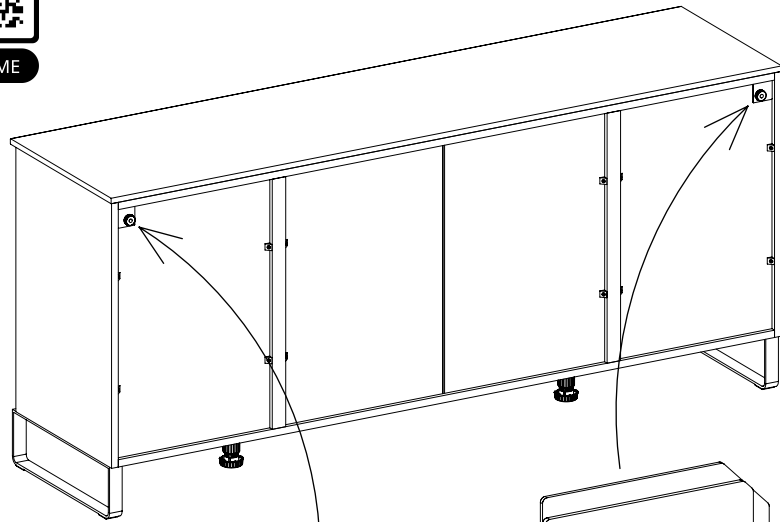
27

2x

1091



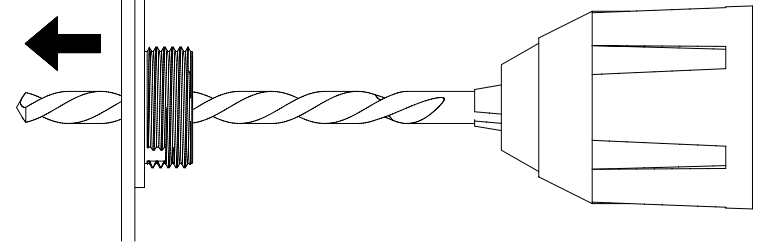
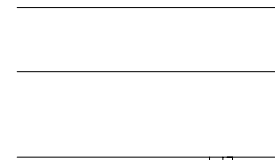
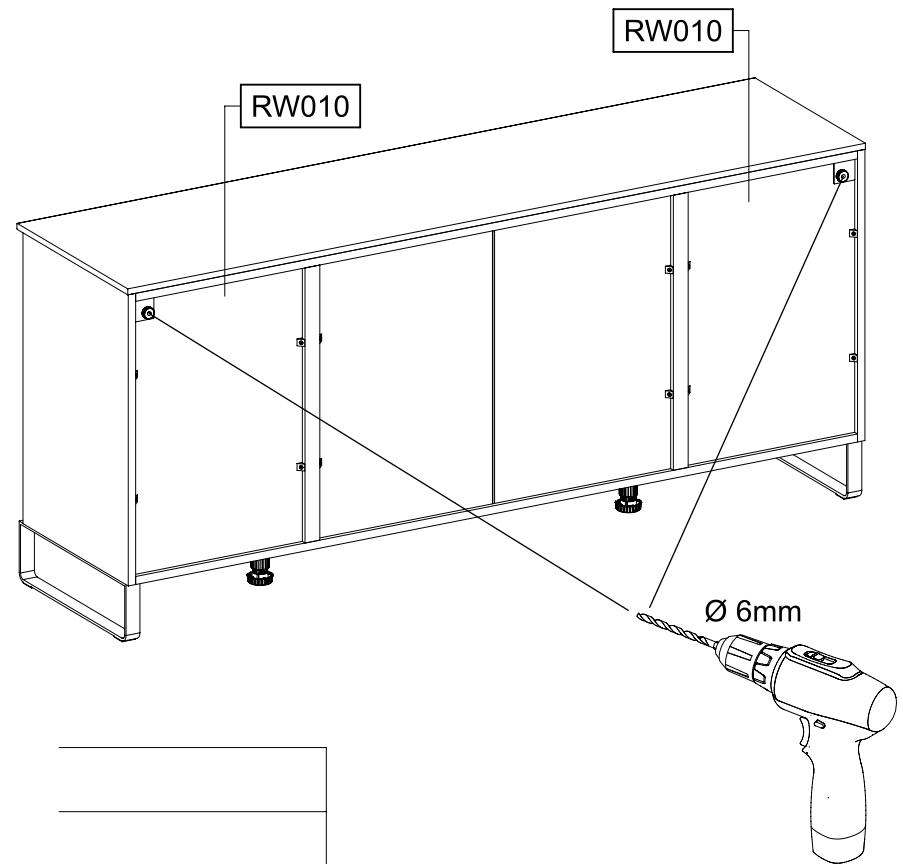
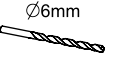
SCAN ME

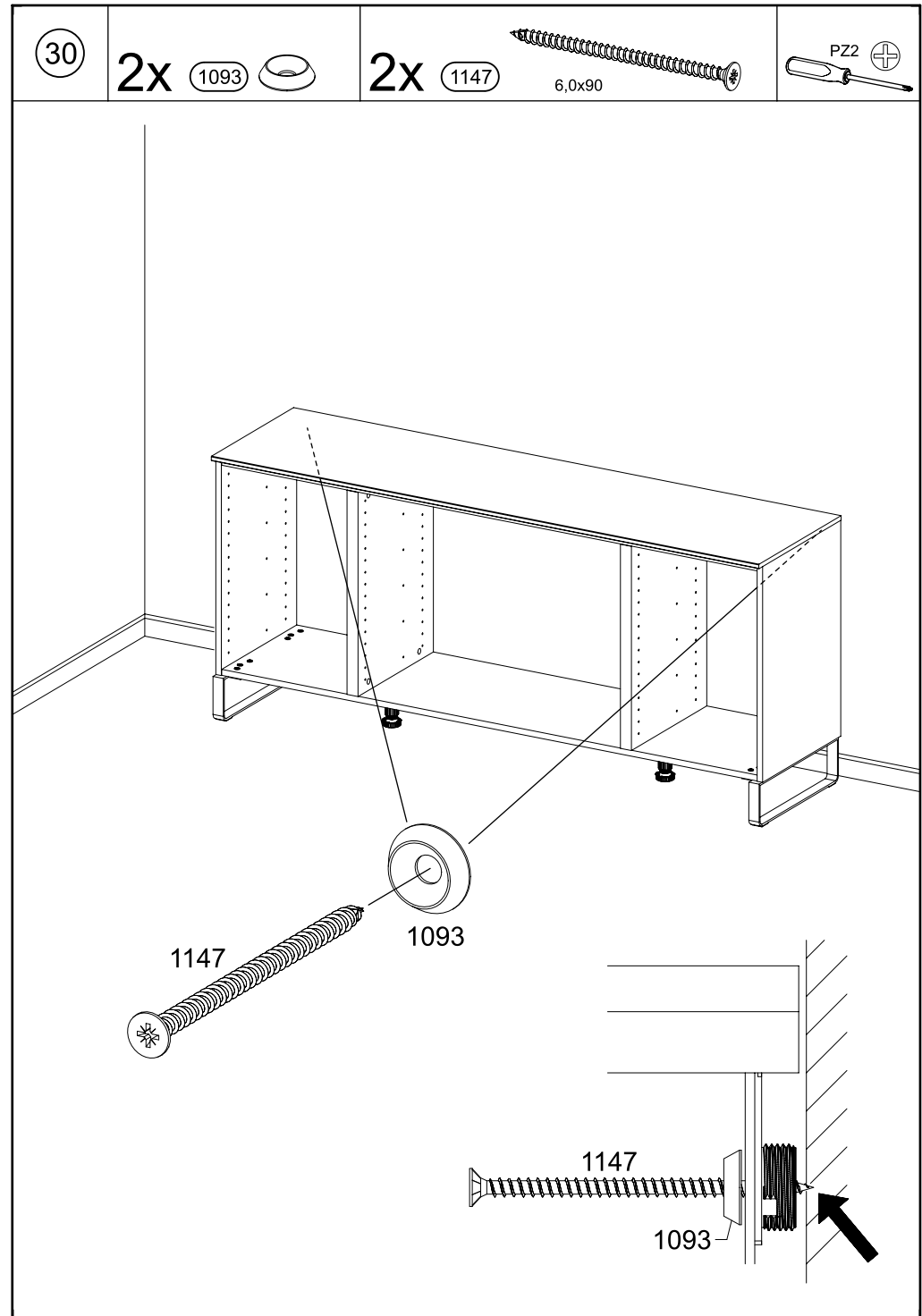
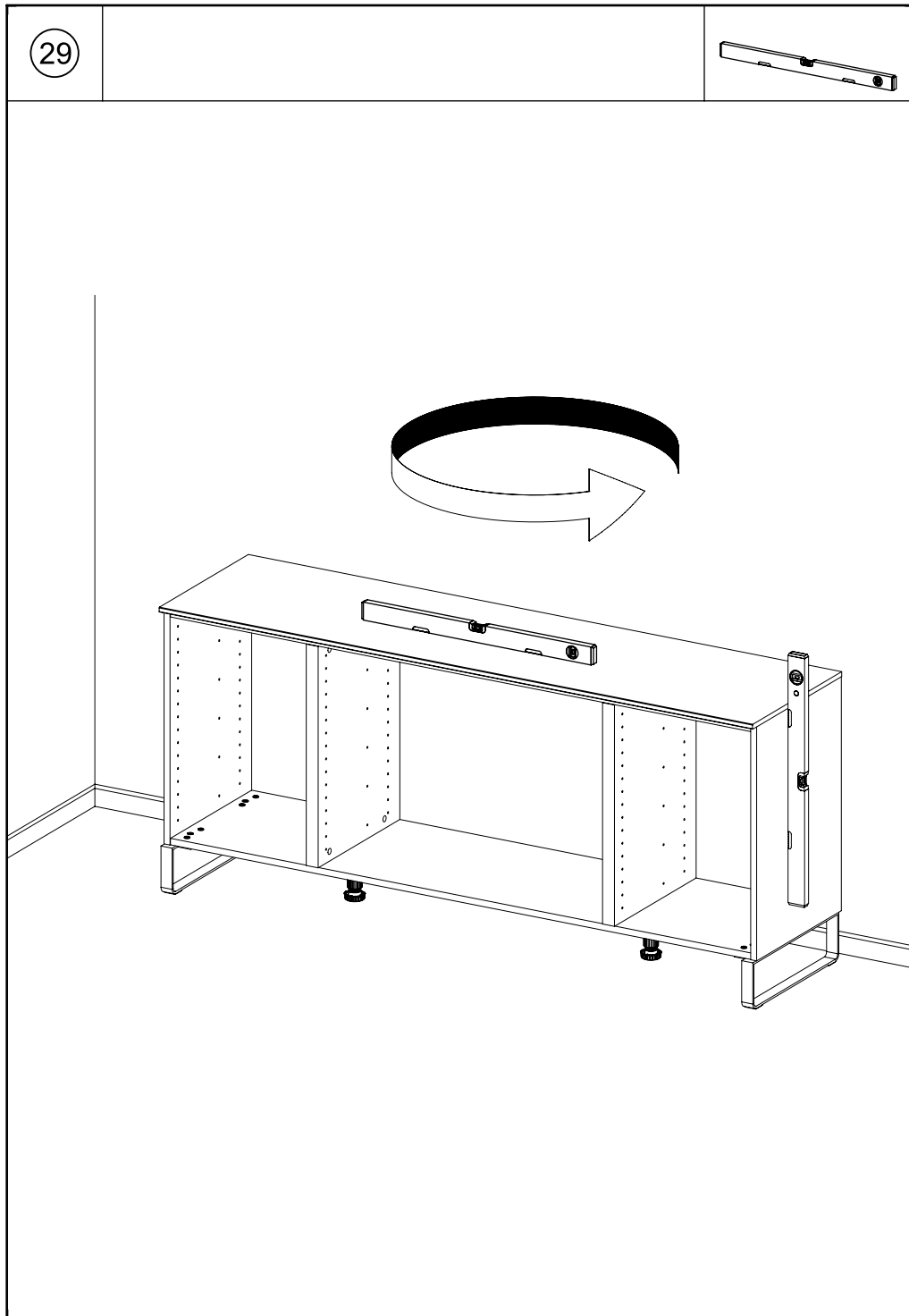


28

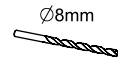


Ø6mm

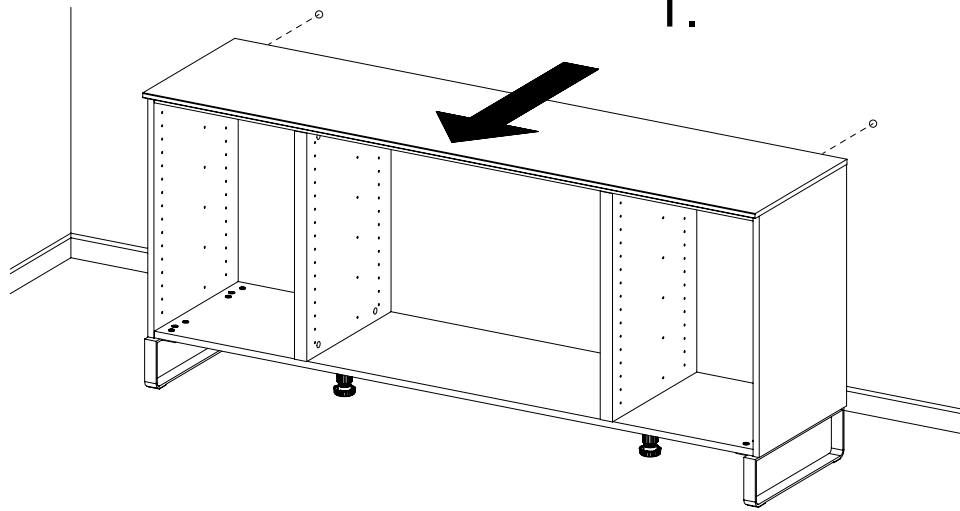




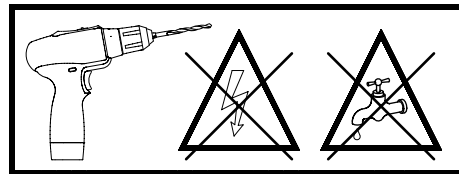
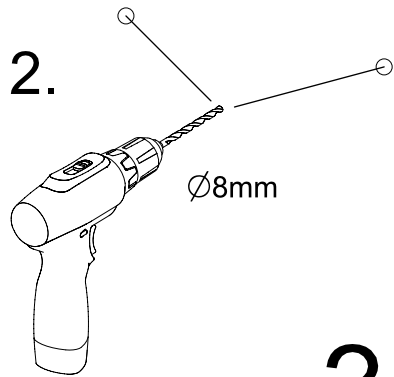
31



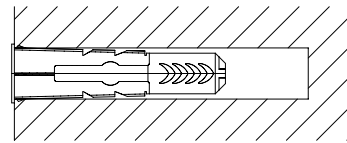
1.



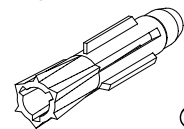
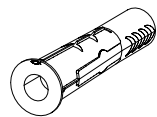
2.



3.



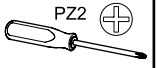
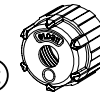
?



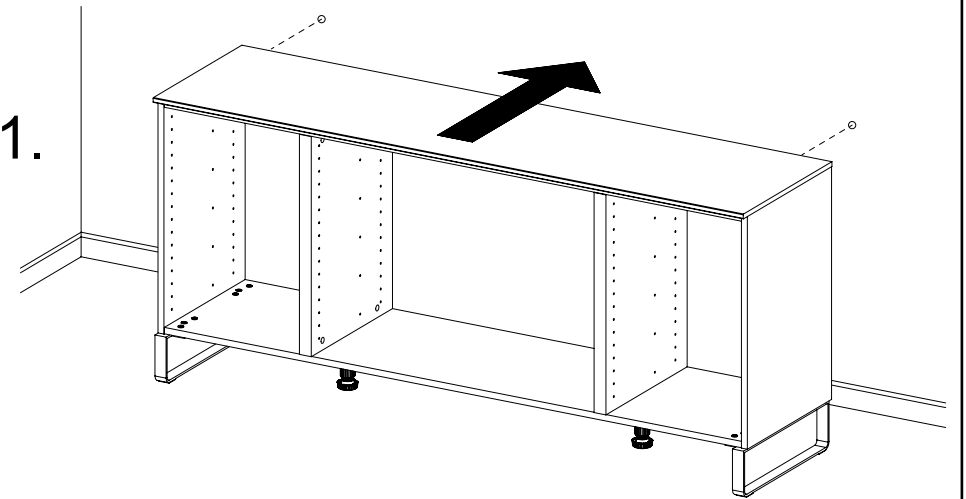
Ø8mm

32

2x 1092

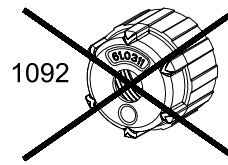


1.



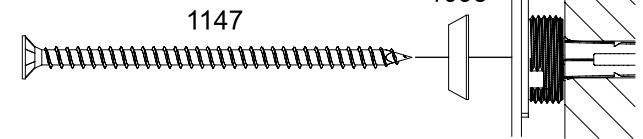
1092

2.



1147

1093



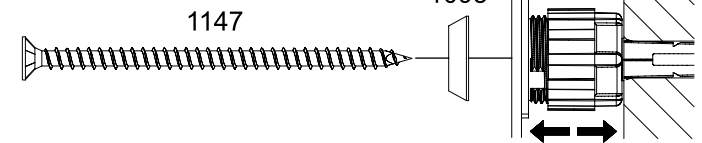
10-15mm



2.

1147

1093

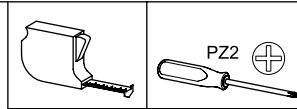
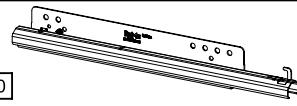


33

6x 6,3x9 (792)

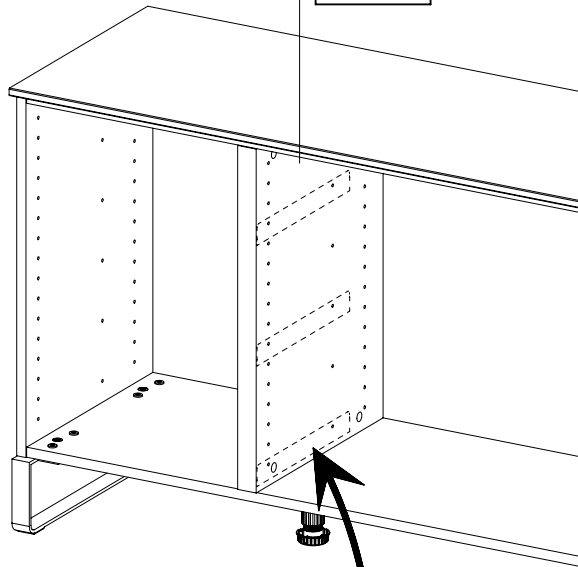
6x 4x15 (836)

3x UF010

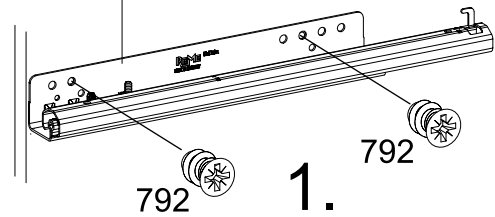


PZ2

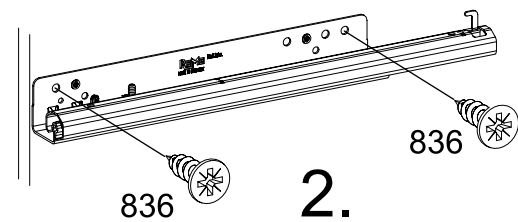
MS010



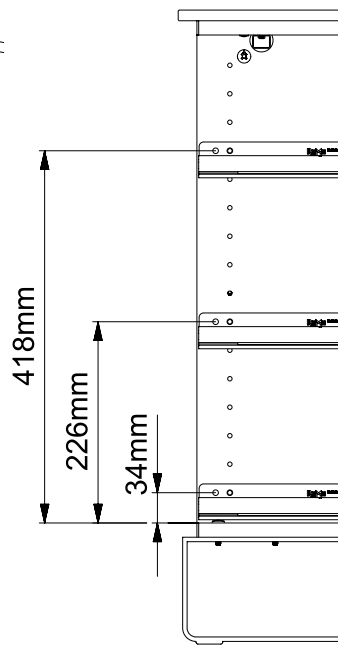
UF010



1.



2.

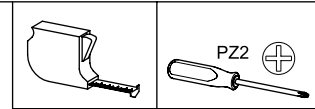
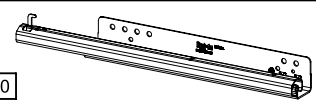


34

6x 6,3x9 (792)

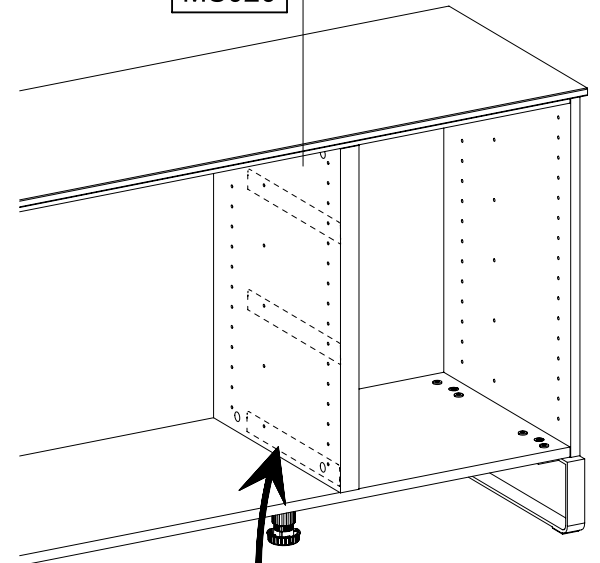
6x 4x15 (836)

3x UF020

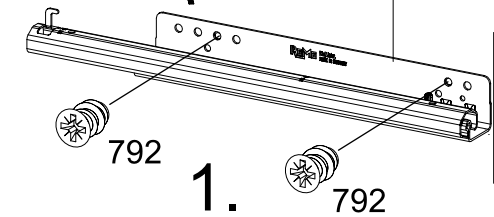


PZ2

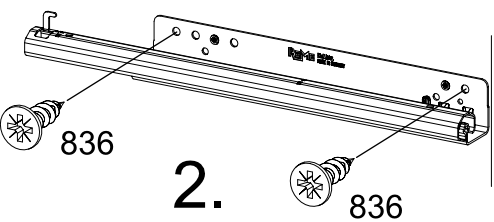
MS020



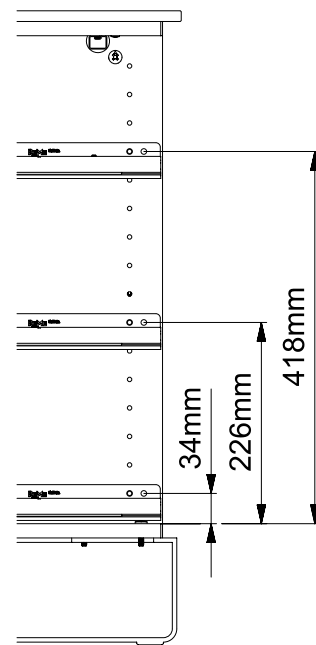
UF020



1.

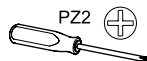
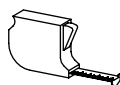
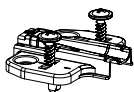


2.



35

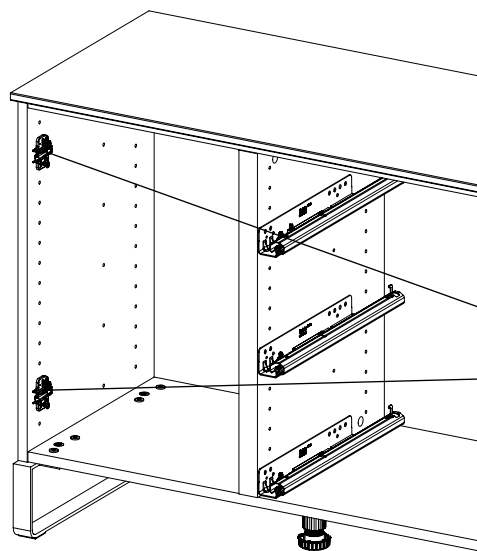
2x 1415



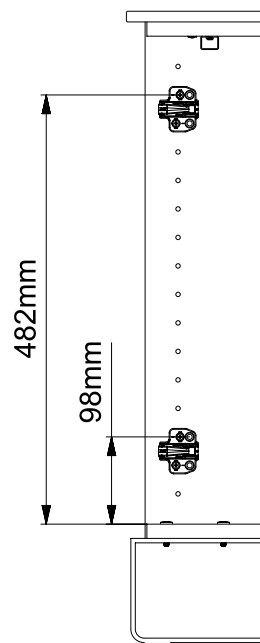
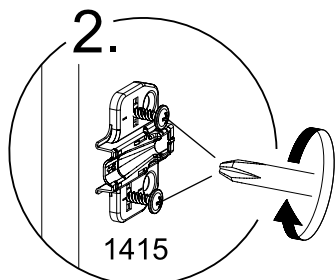
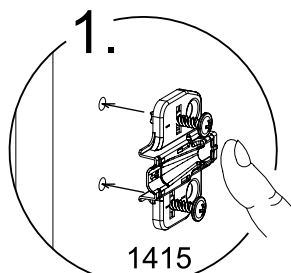
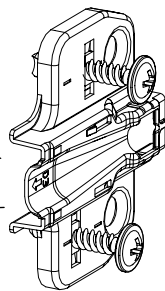
PZ2



SCAN ME

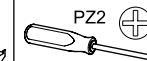
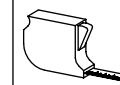
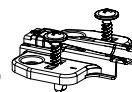


1415

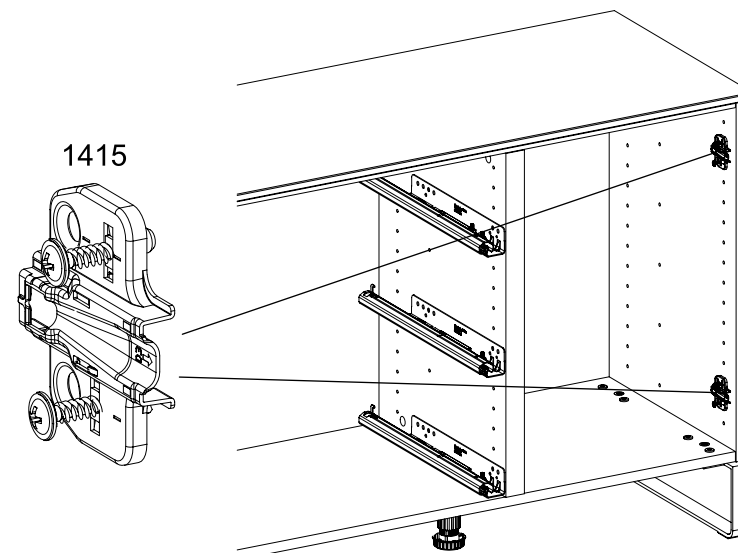


36

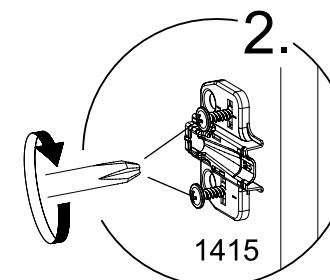
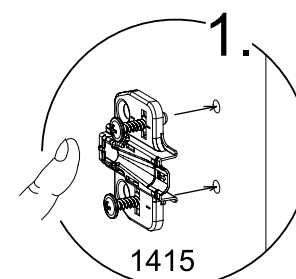
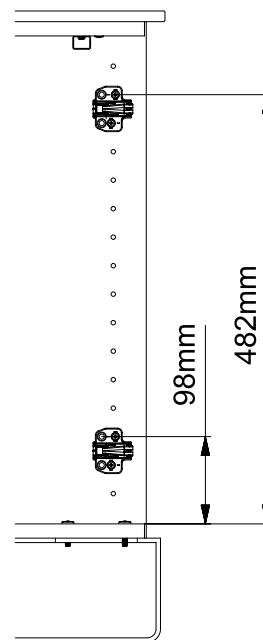
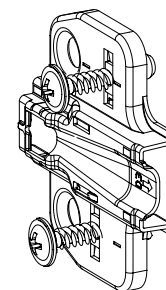
2x 1415



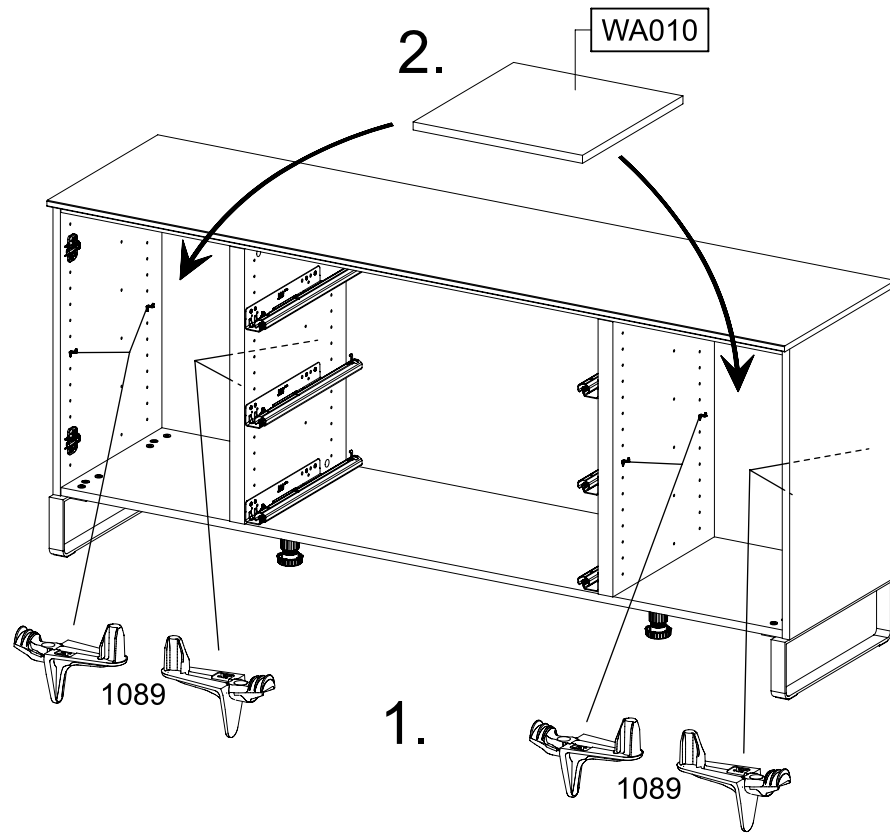
PZ2



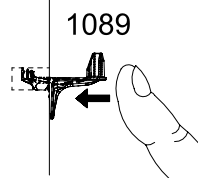
1415



37

8x 1089 

1.

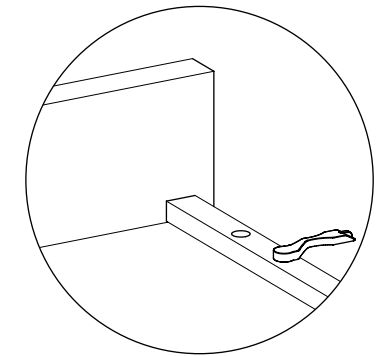
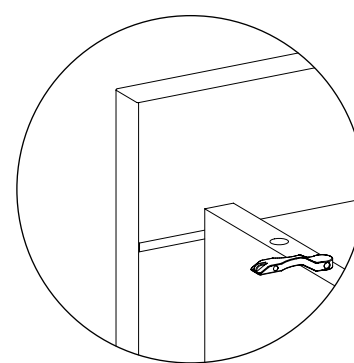
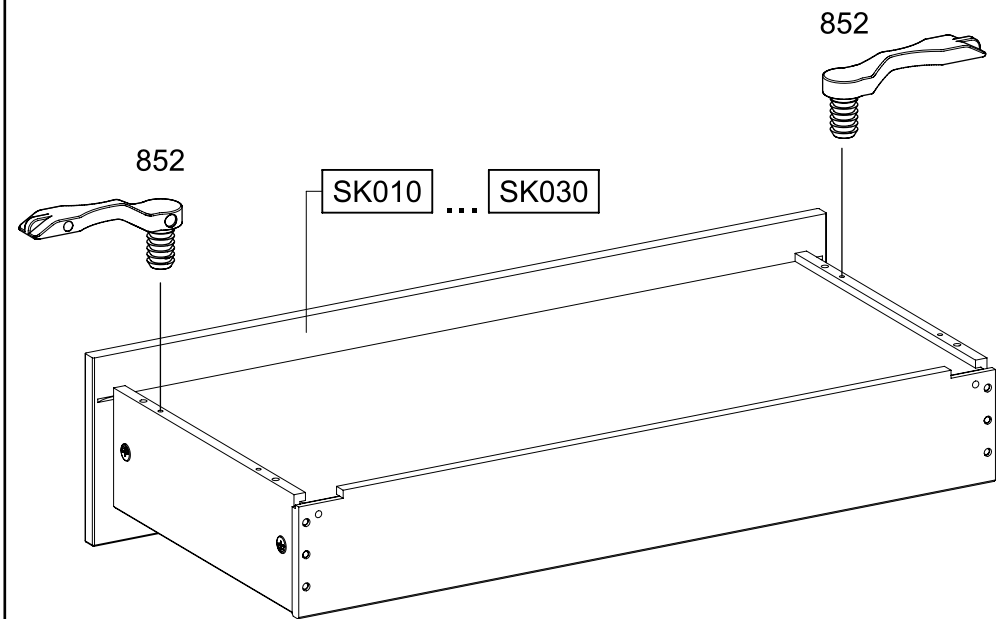


WA010

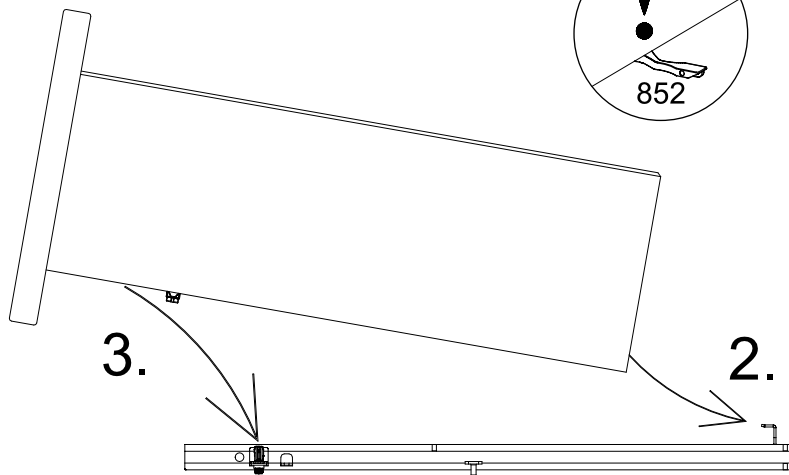
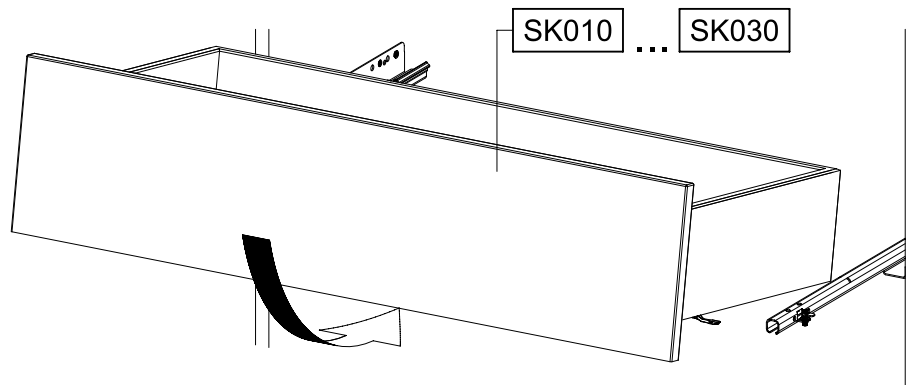
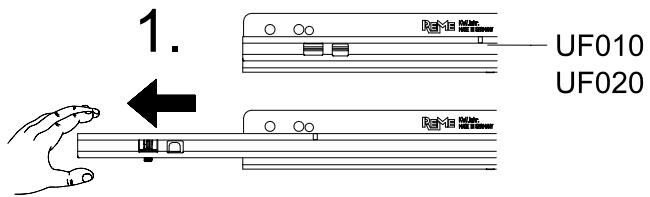
2.



38

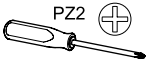
6x 852 

39

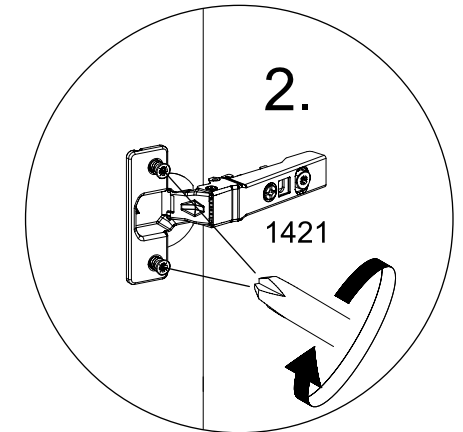
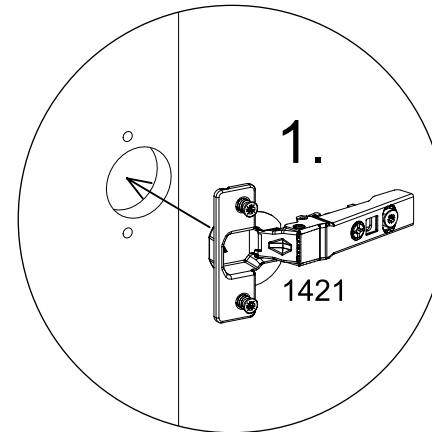
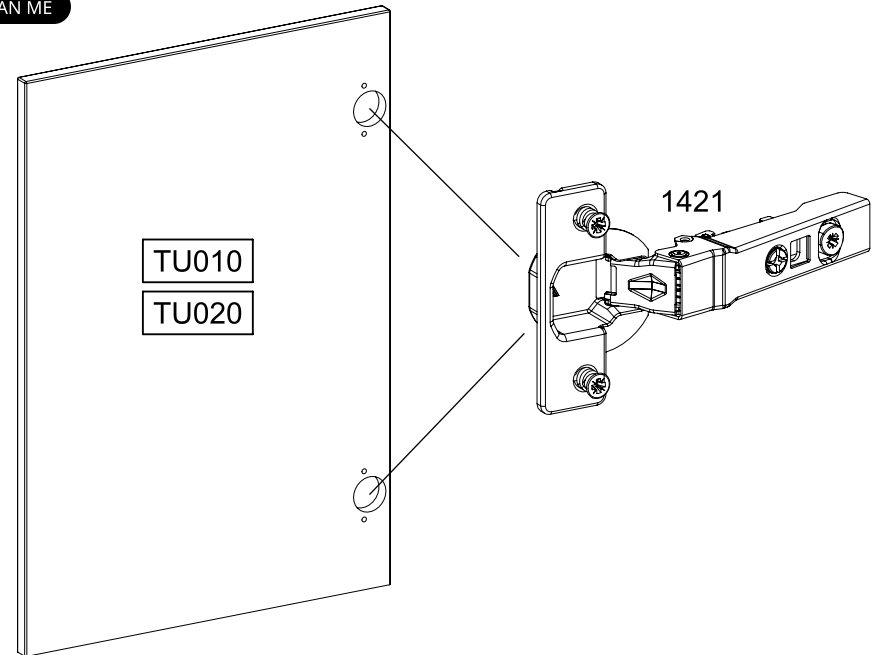


40

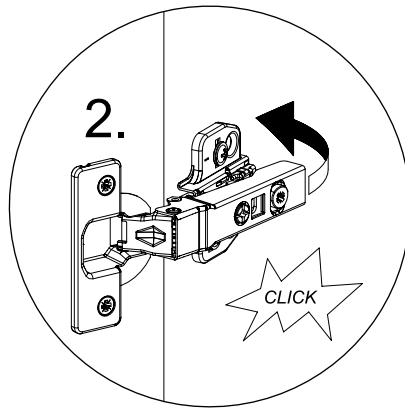
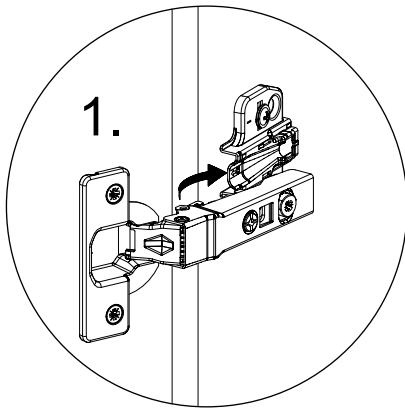
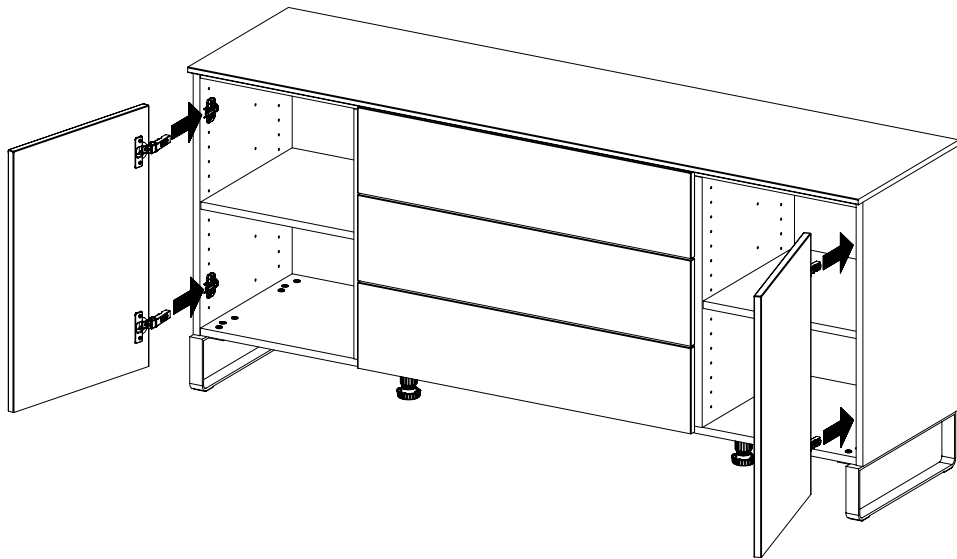
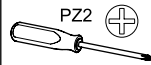
4x 1421



SCAN ME



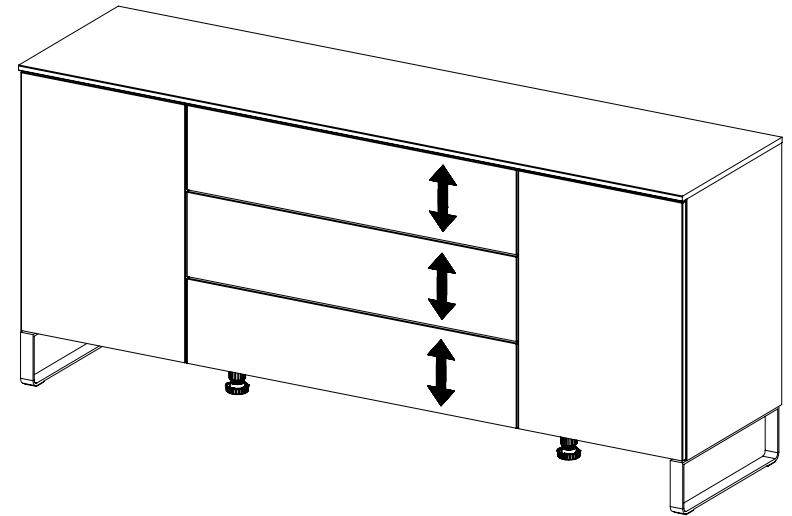
41



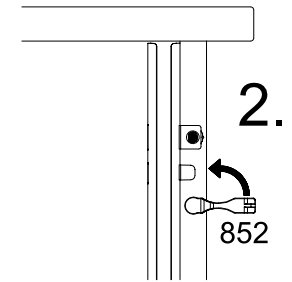
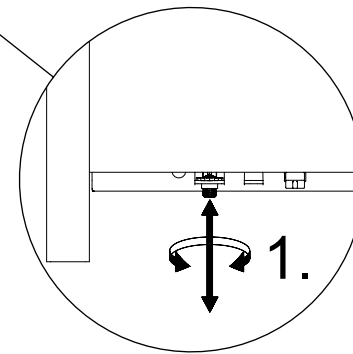
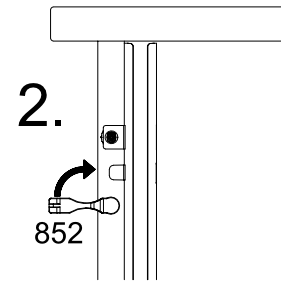
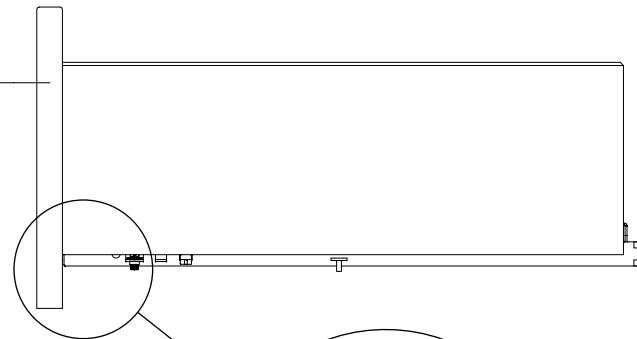
42



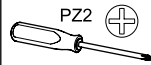
SCAN ME



SK010  
SK020  
SK030



43



SCAN ME

