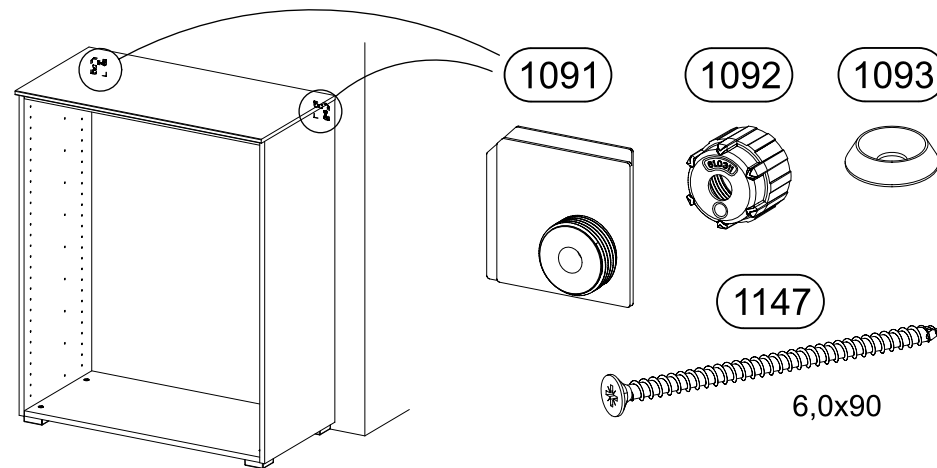
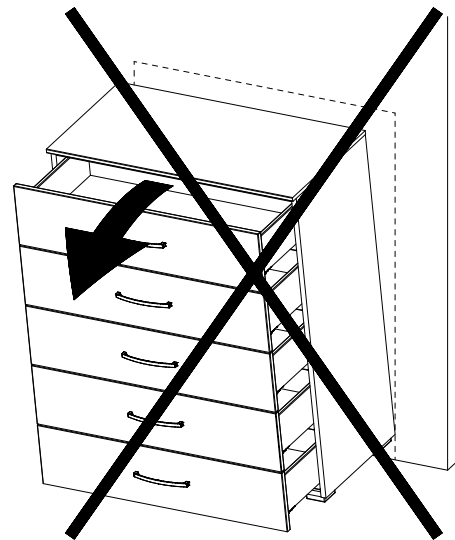
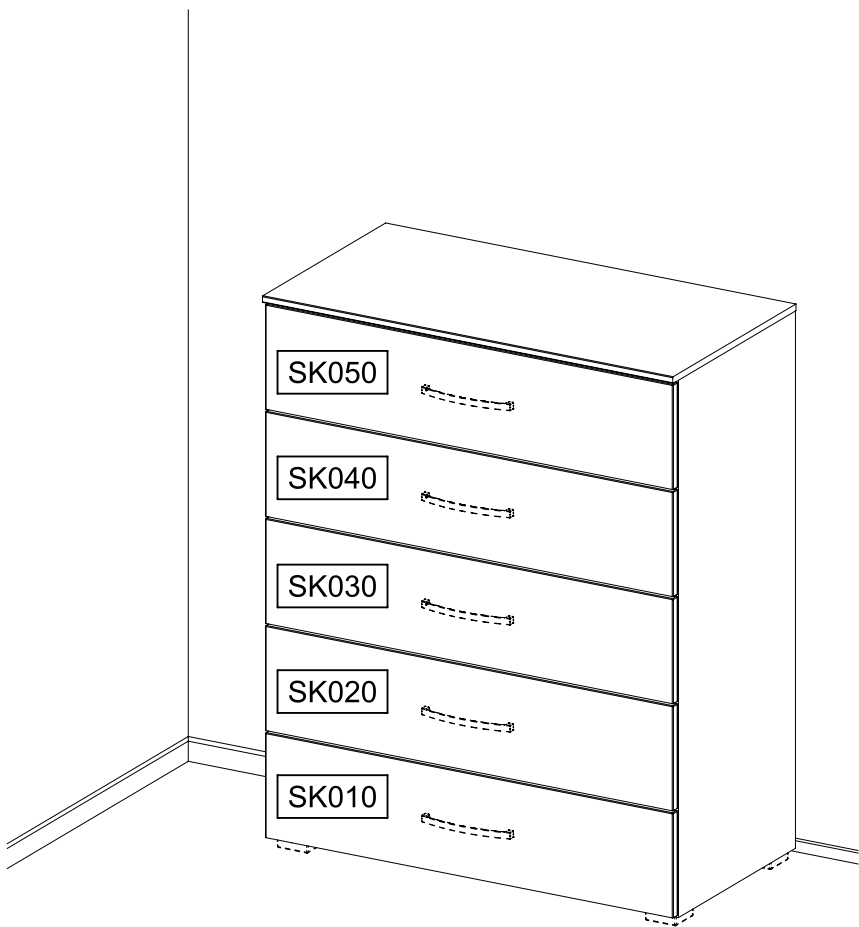
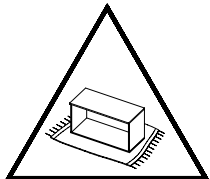
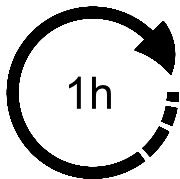
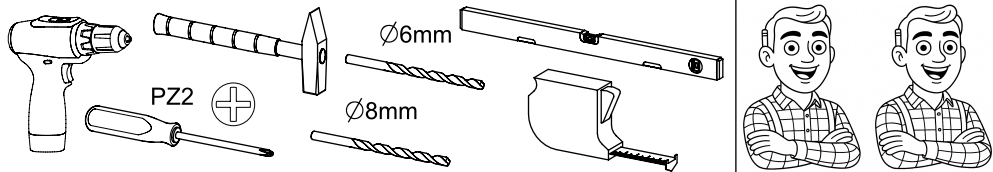


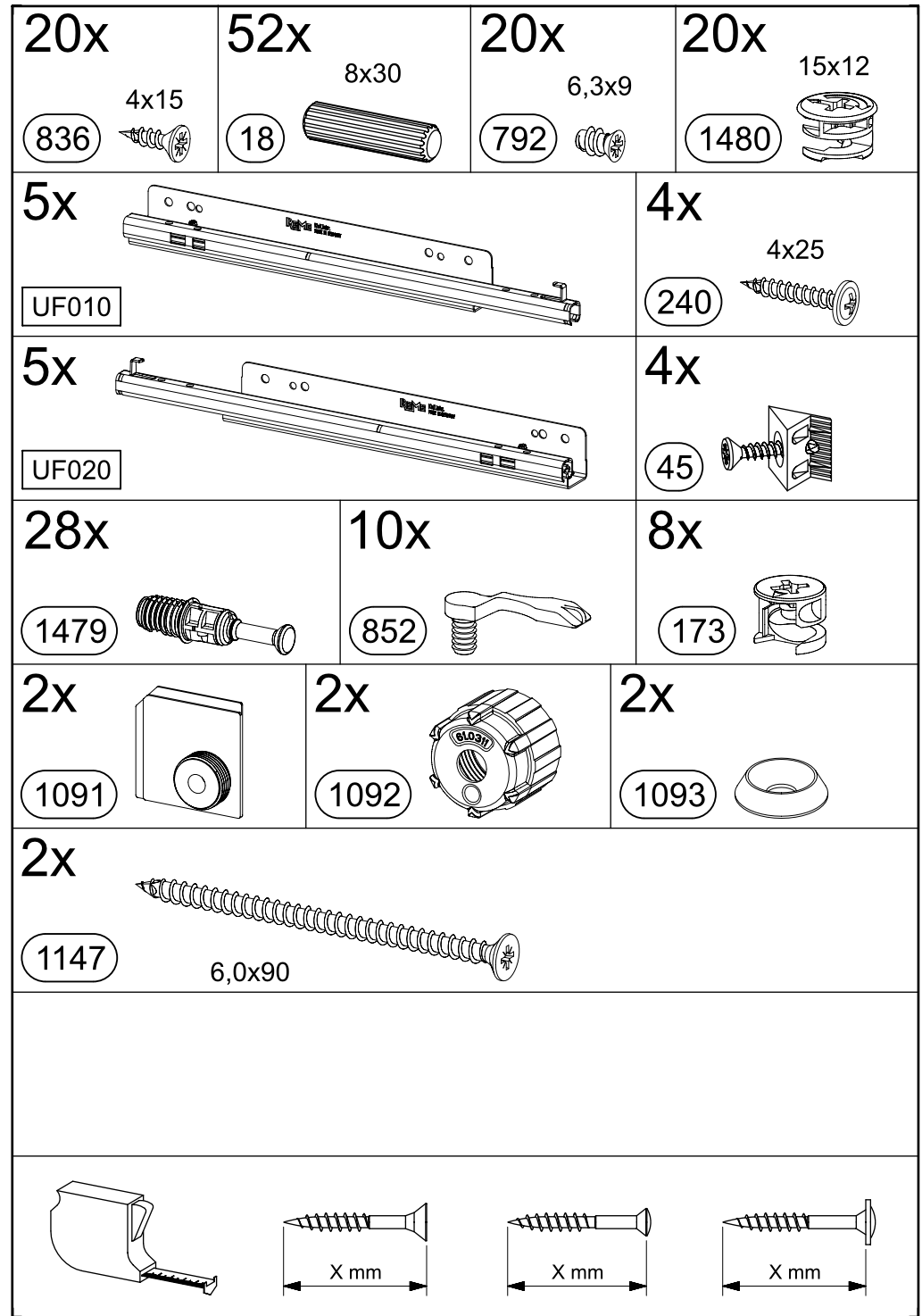
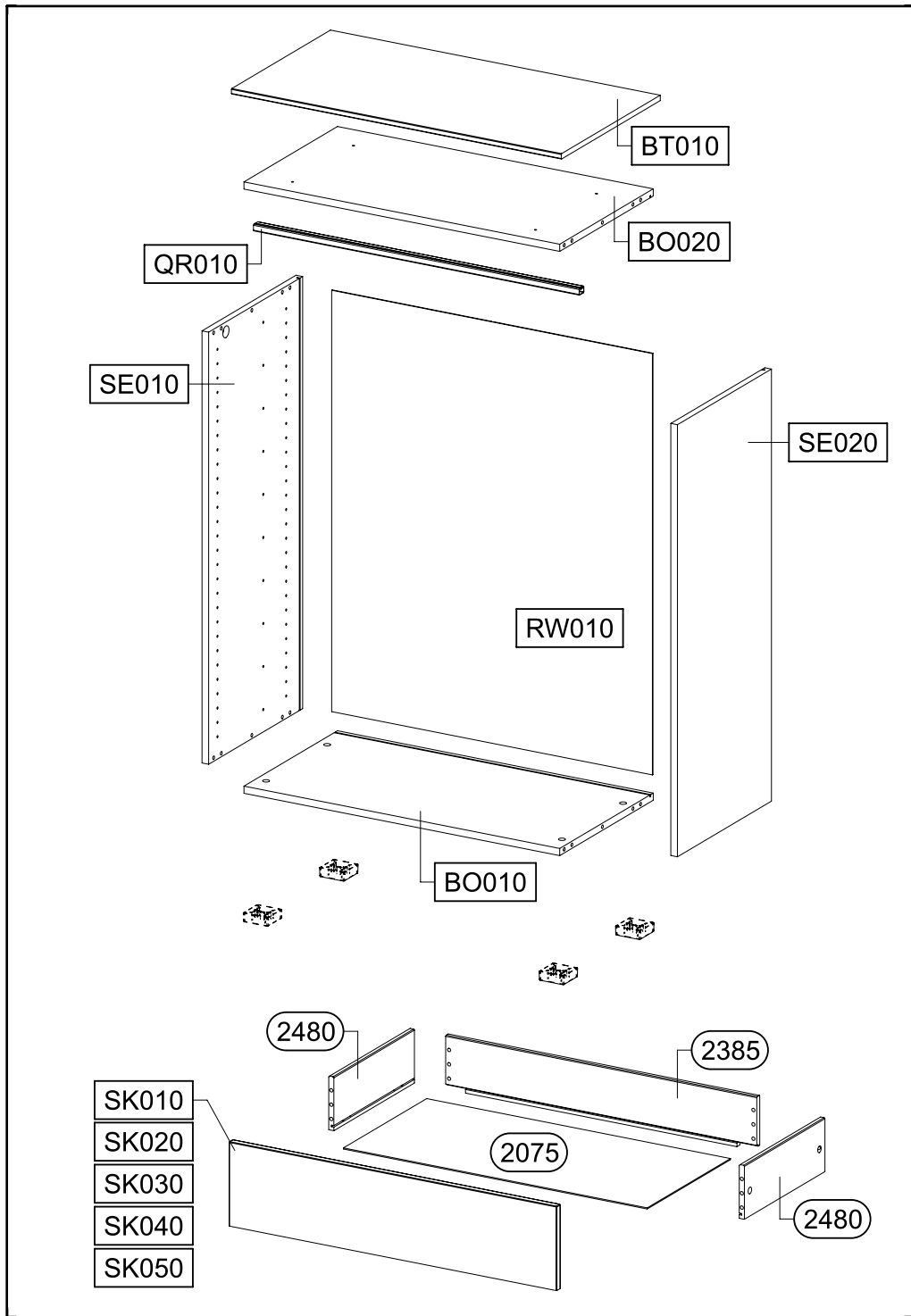
# M3104\_02

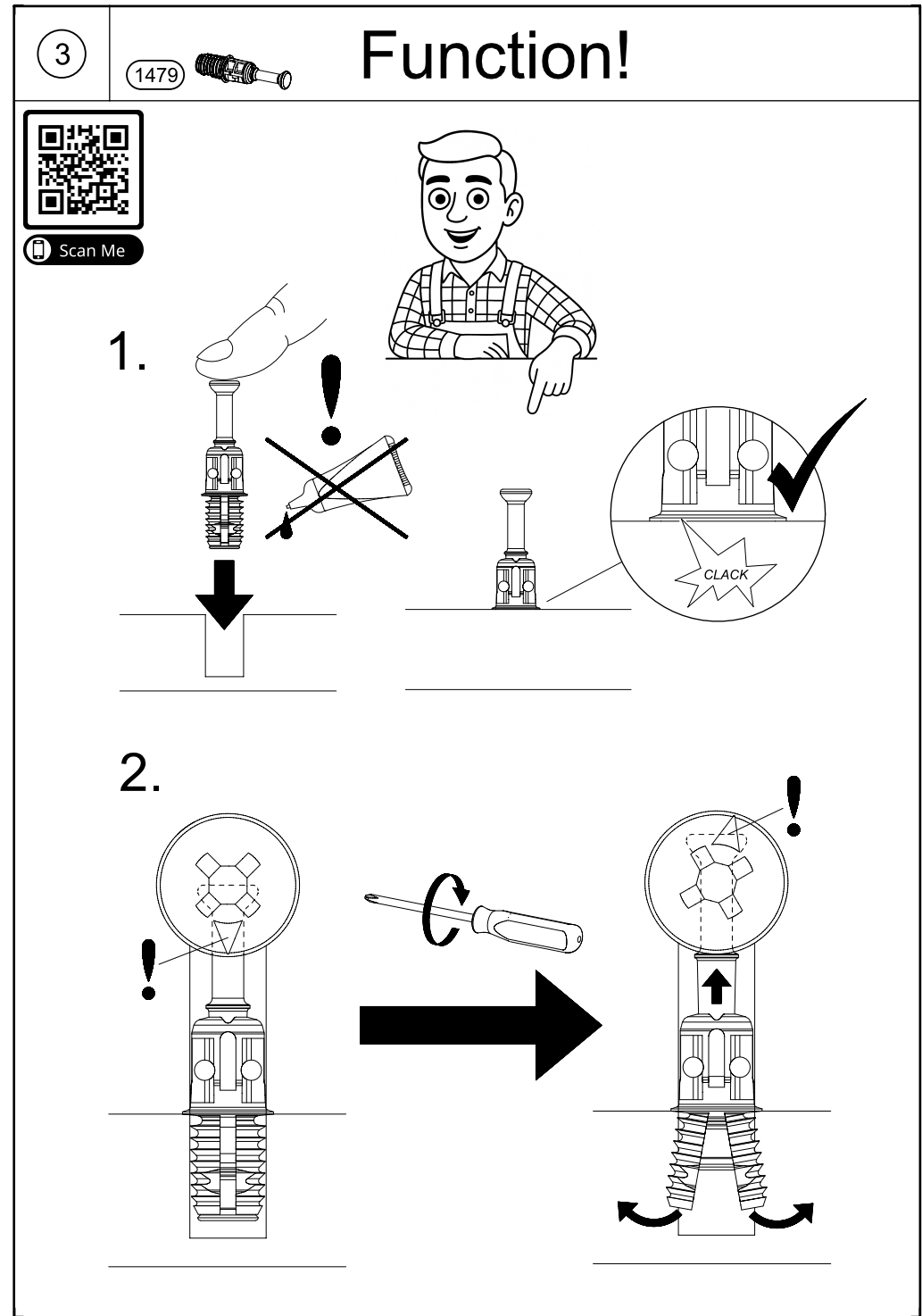
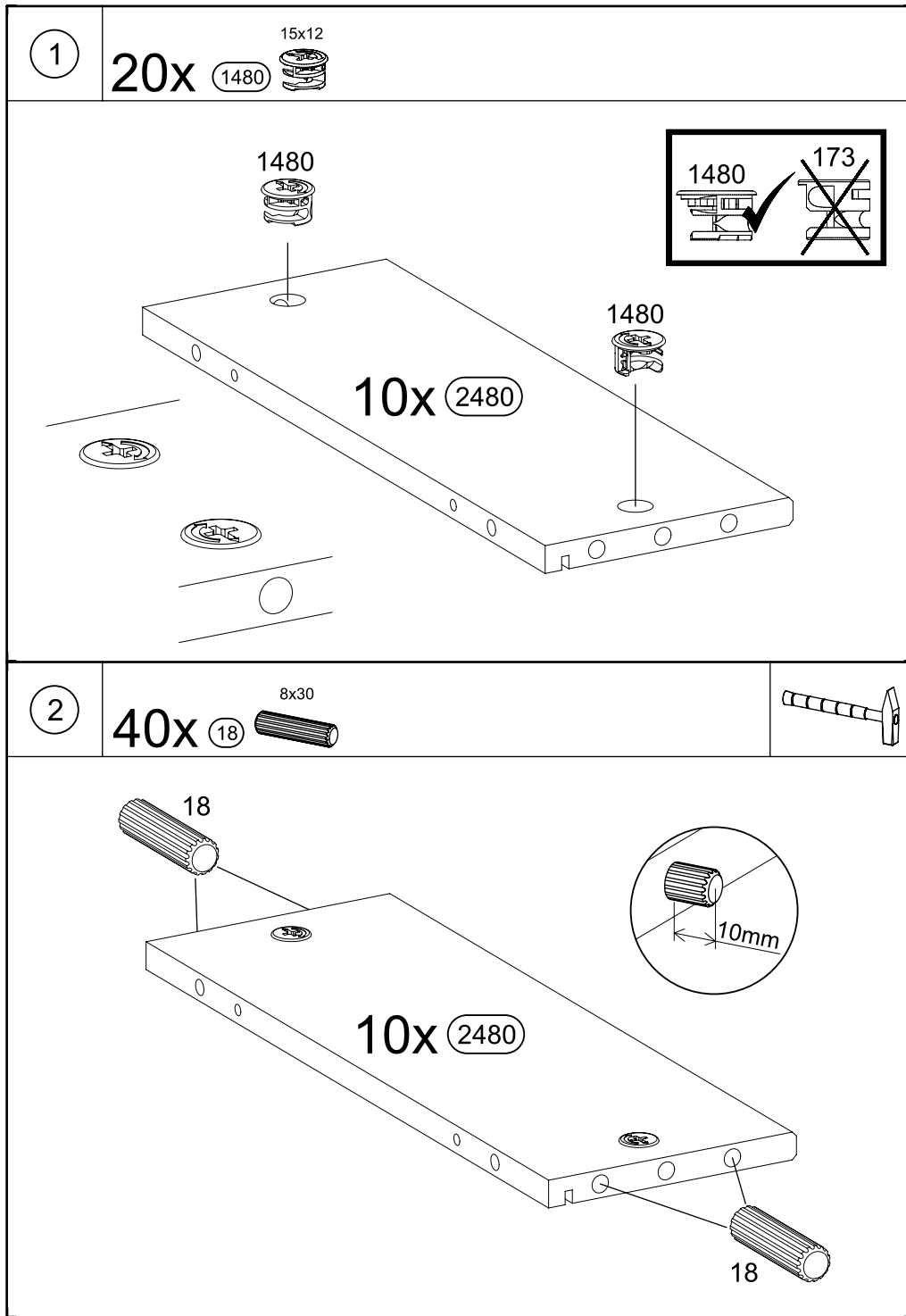


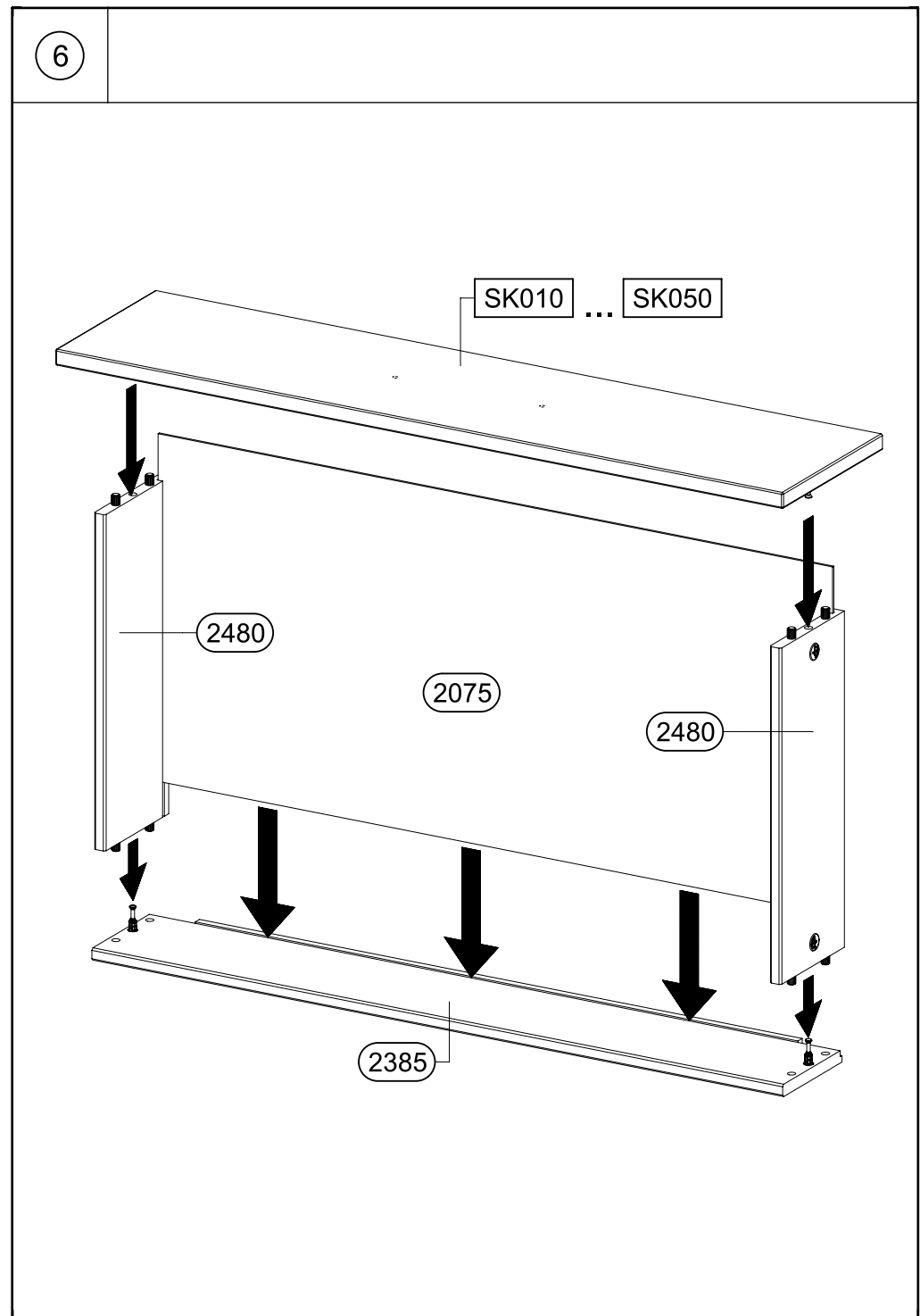
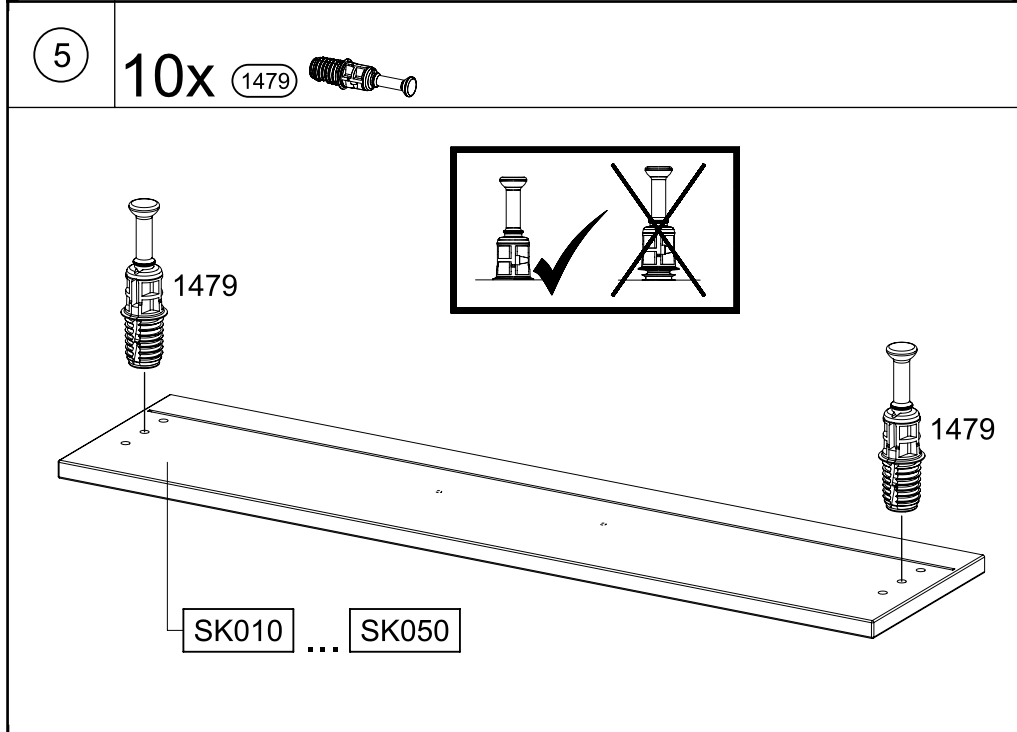
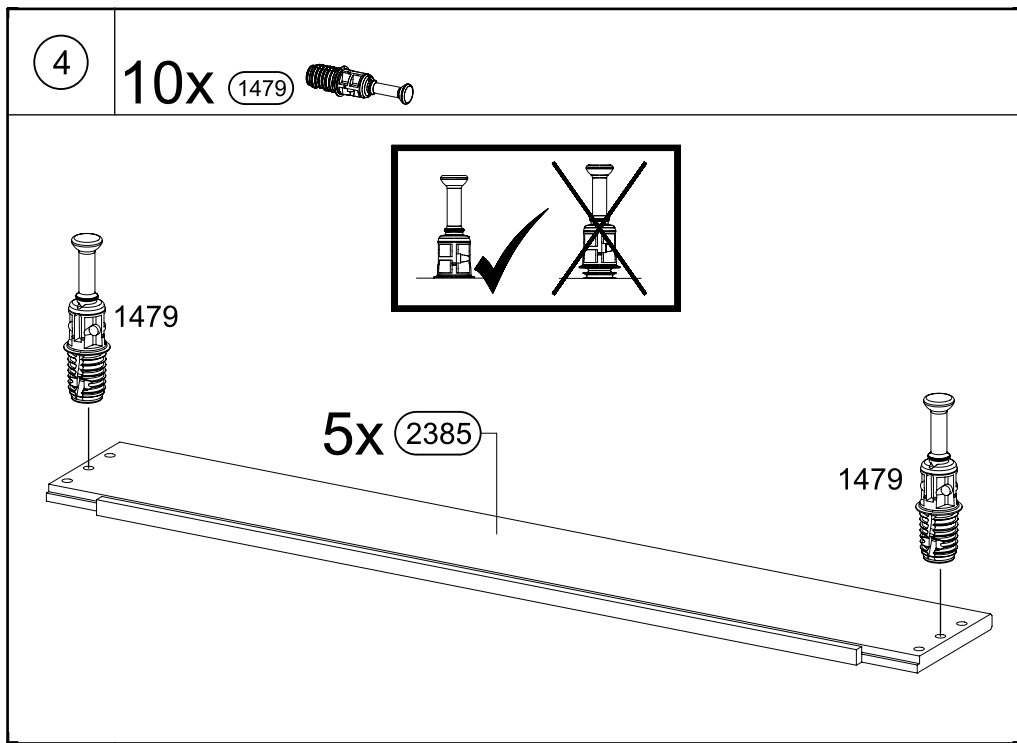
VIDEO

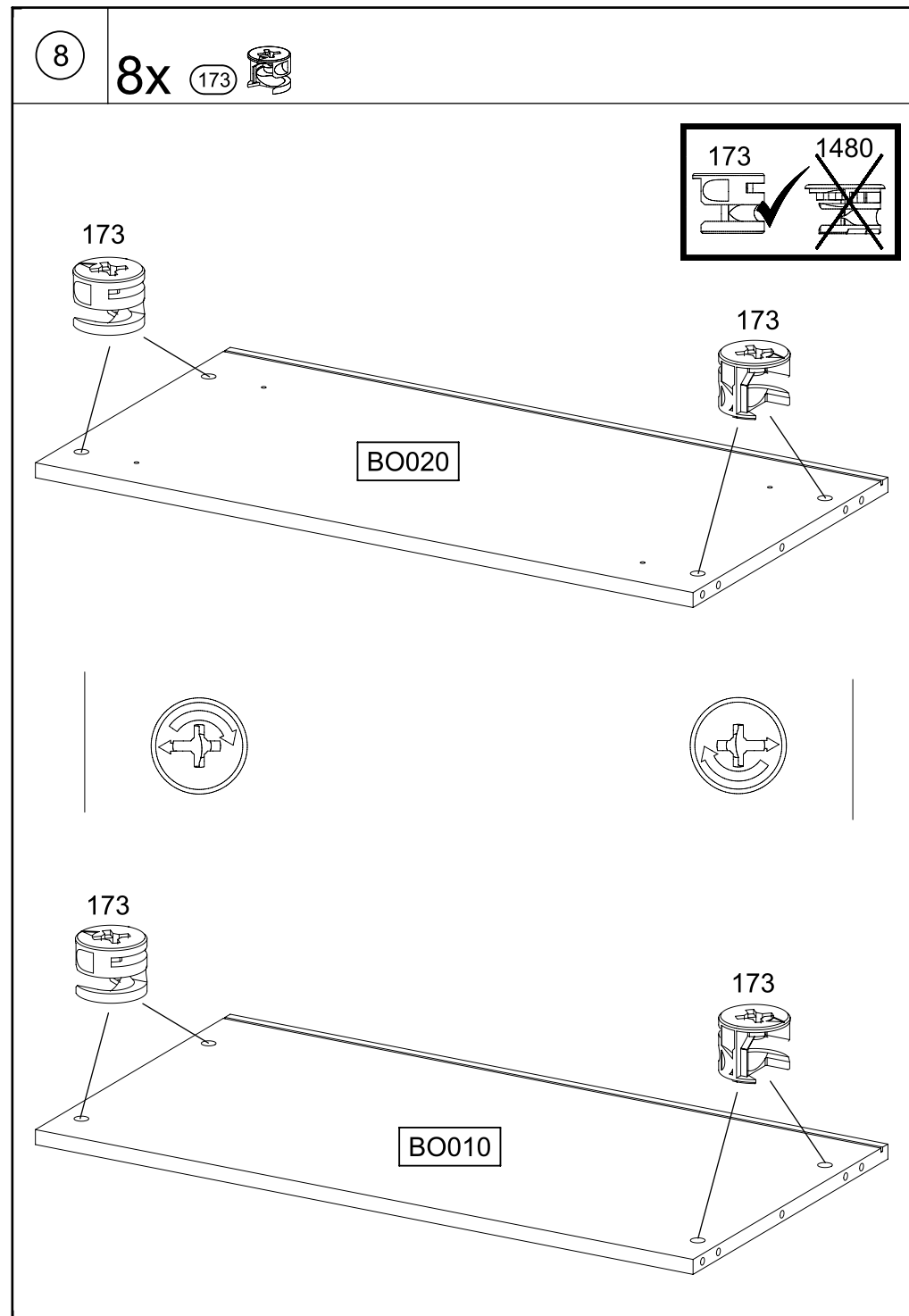
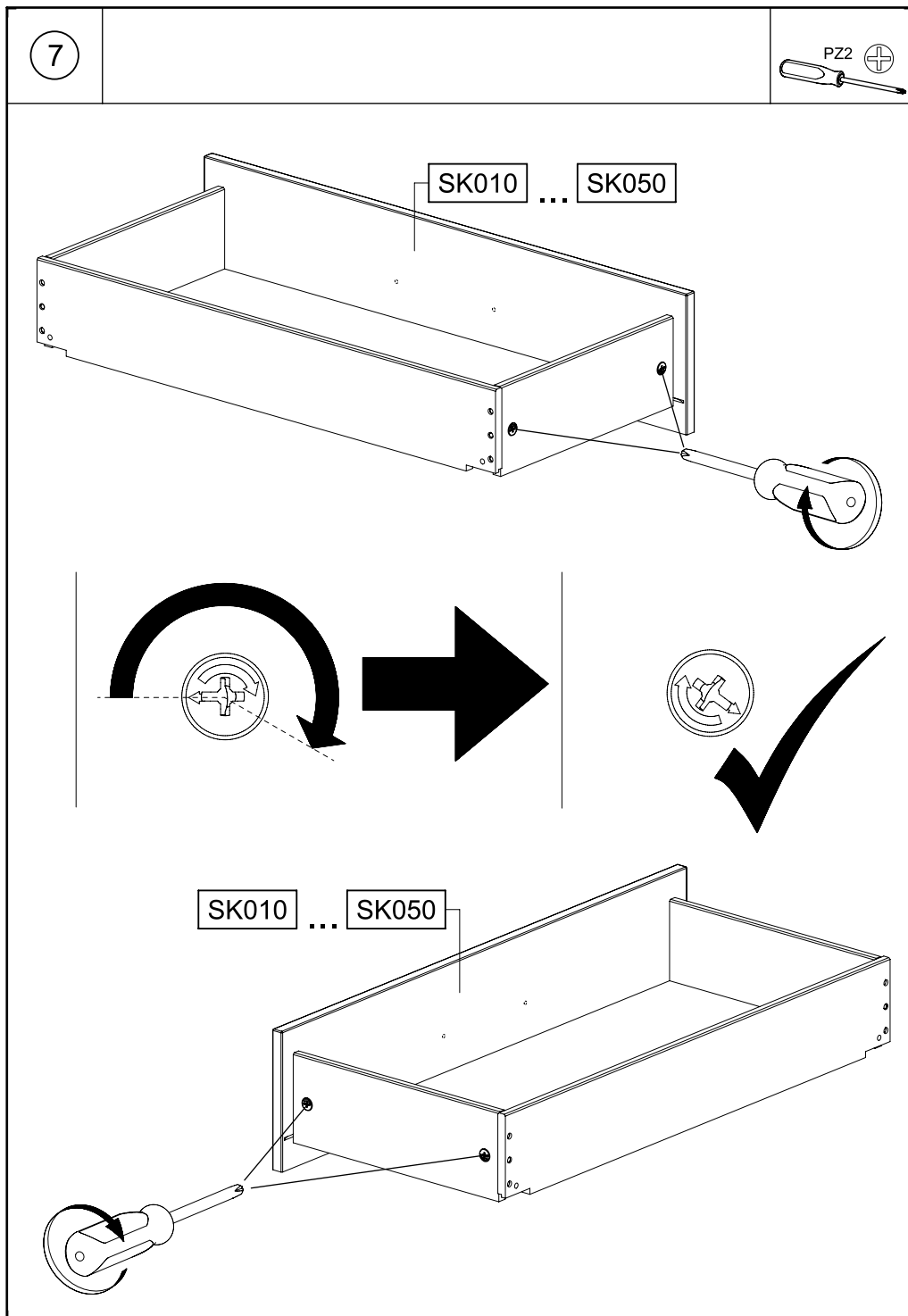


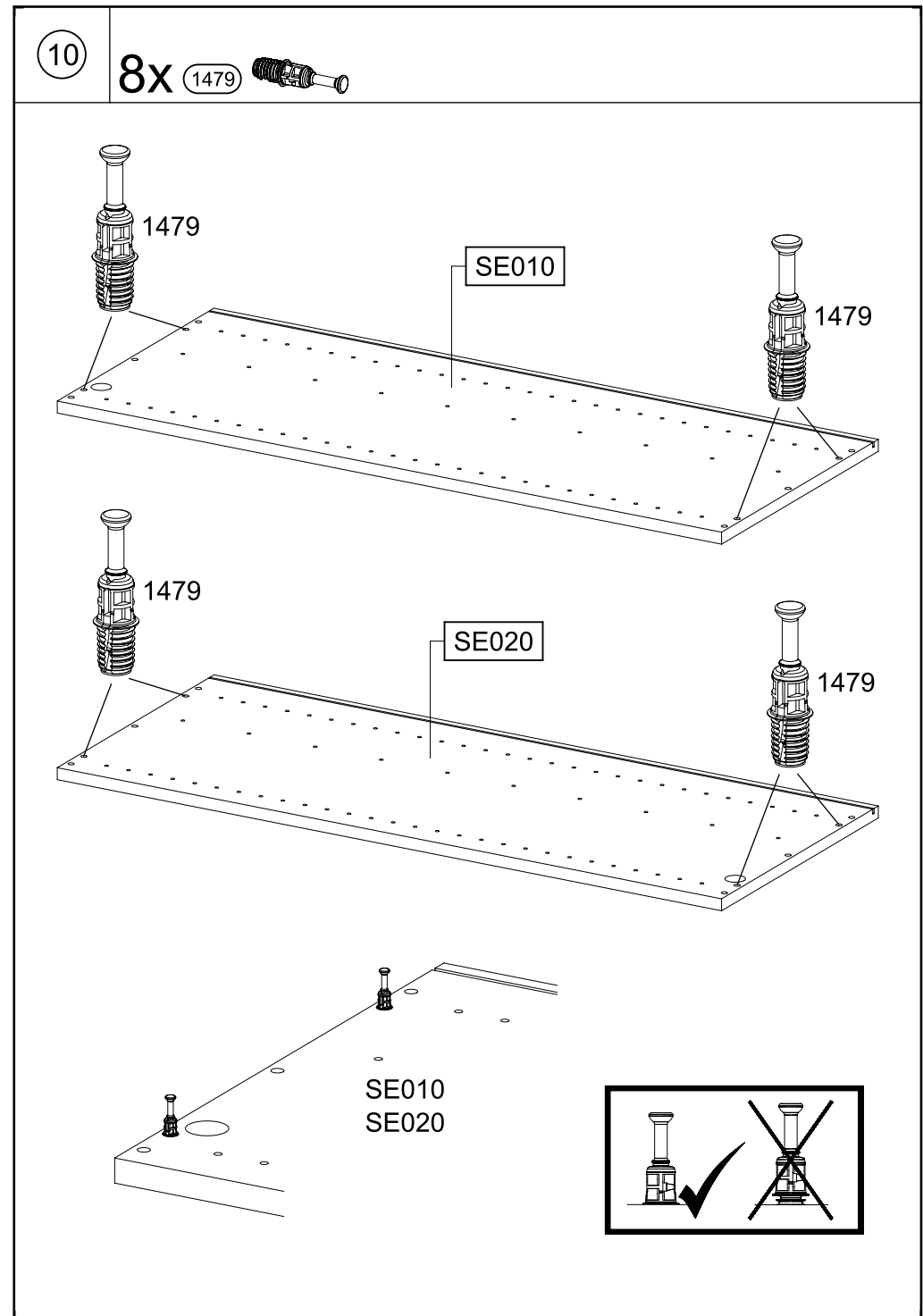
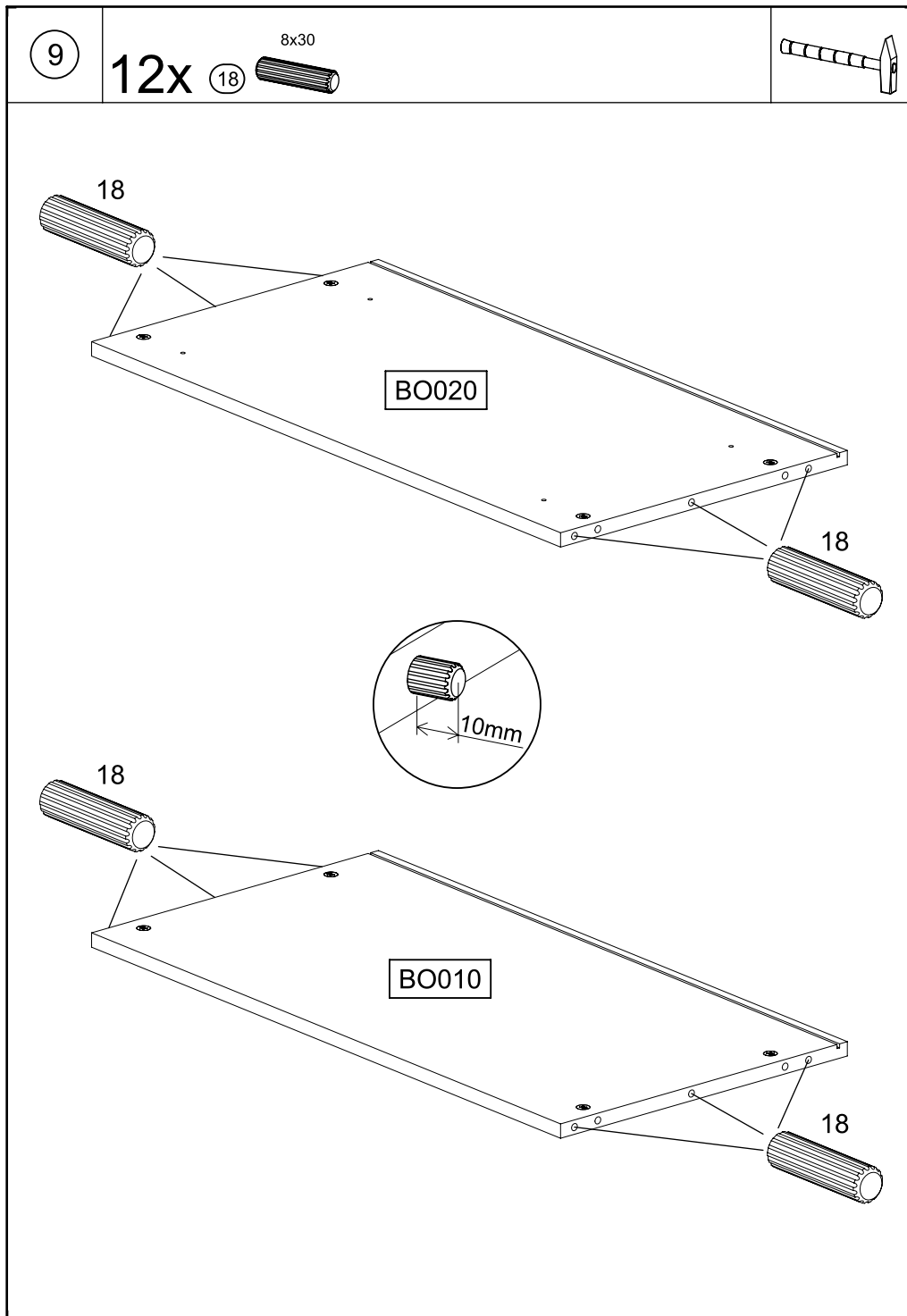
SCAN ME



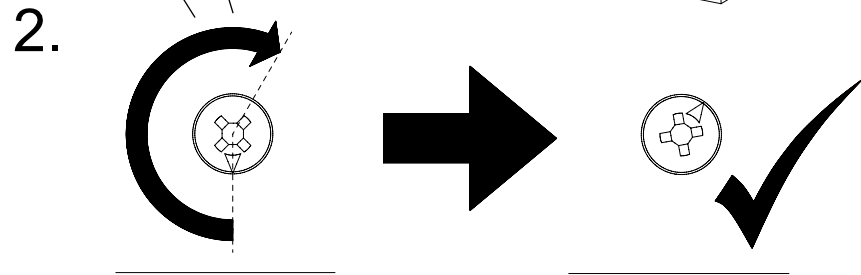
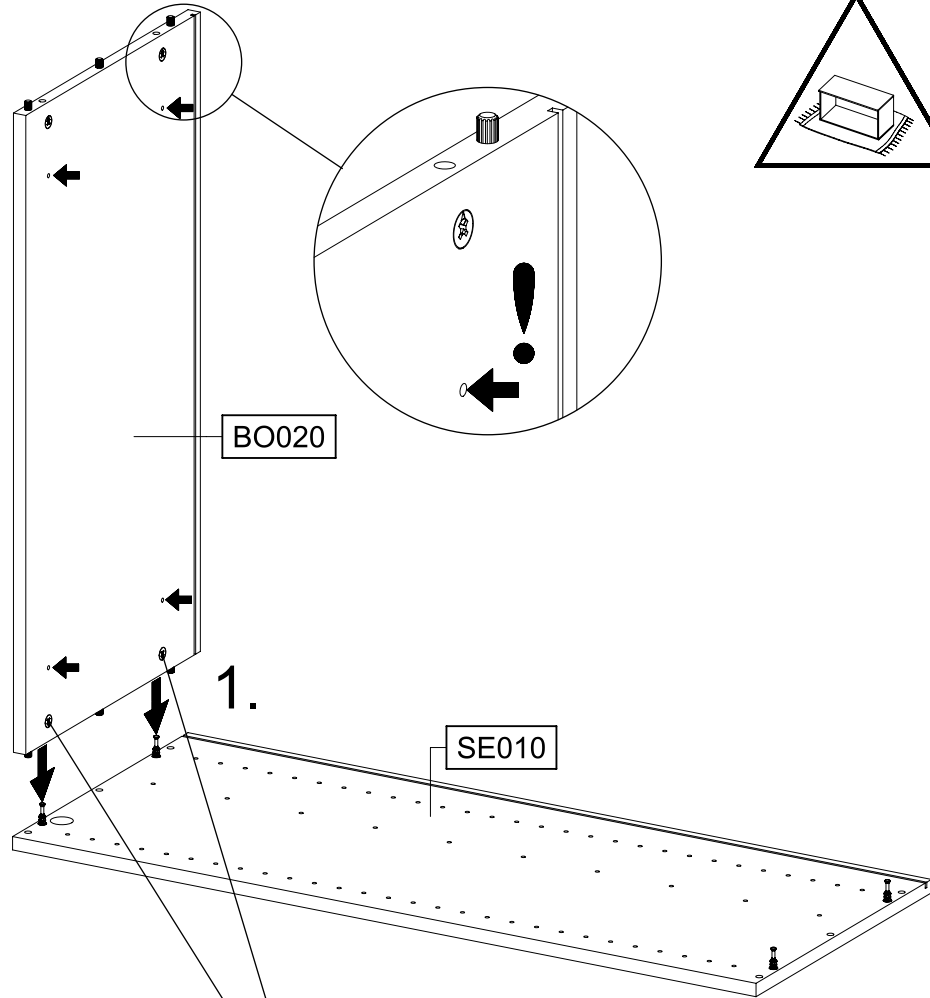
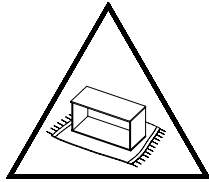
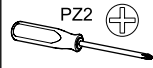




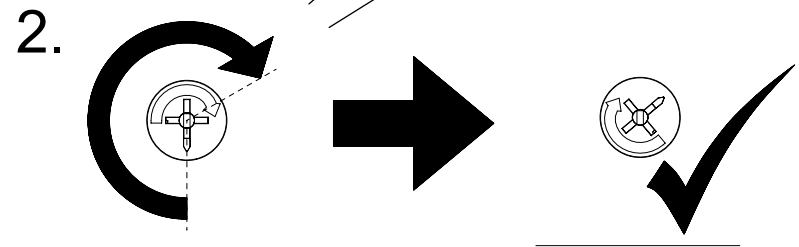
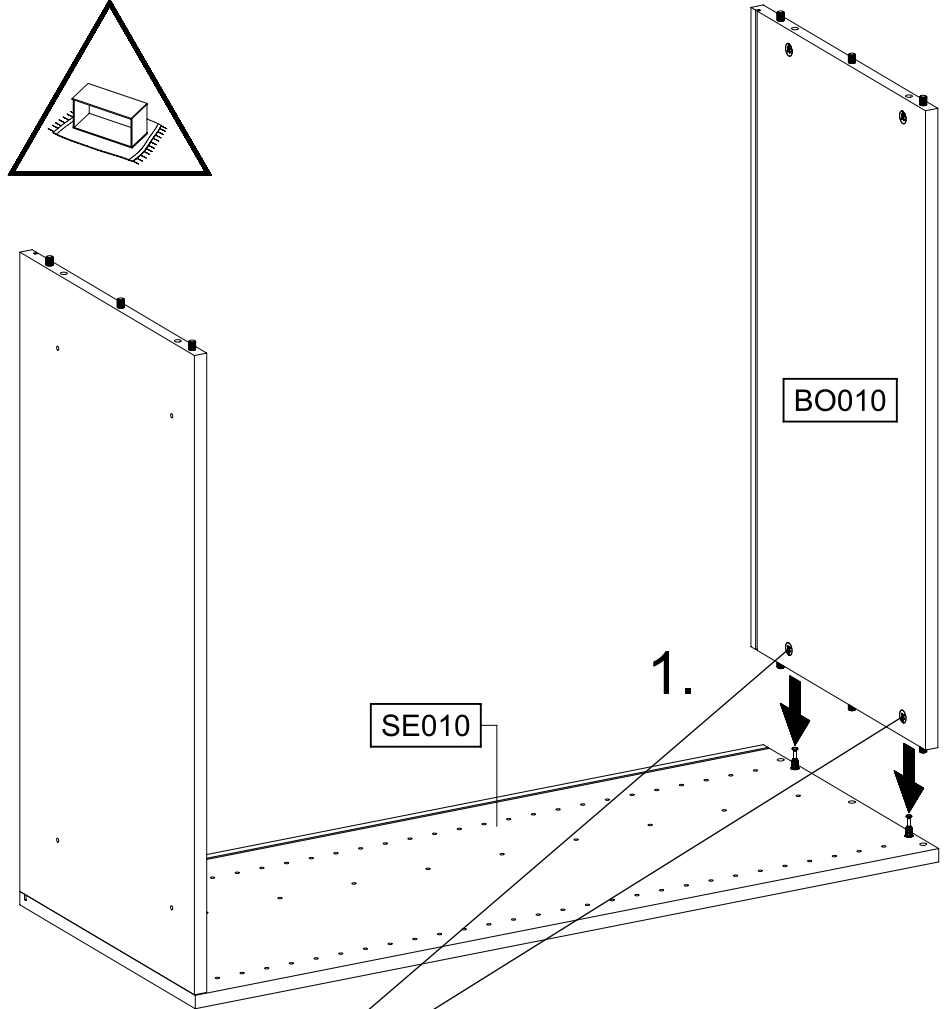
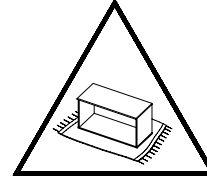
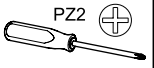




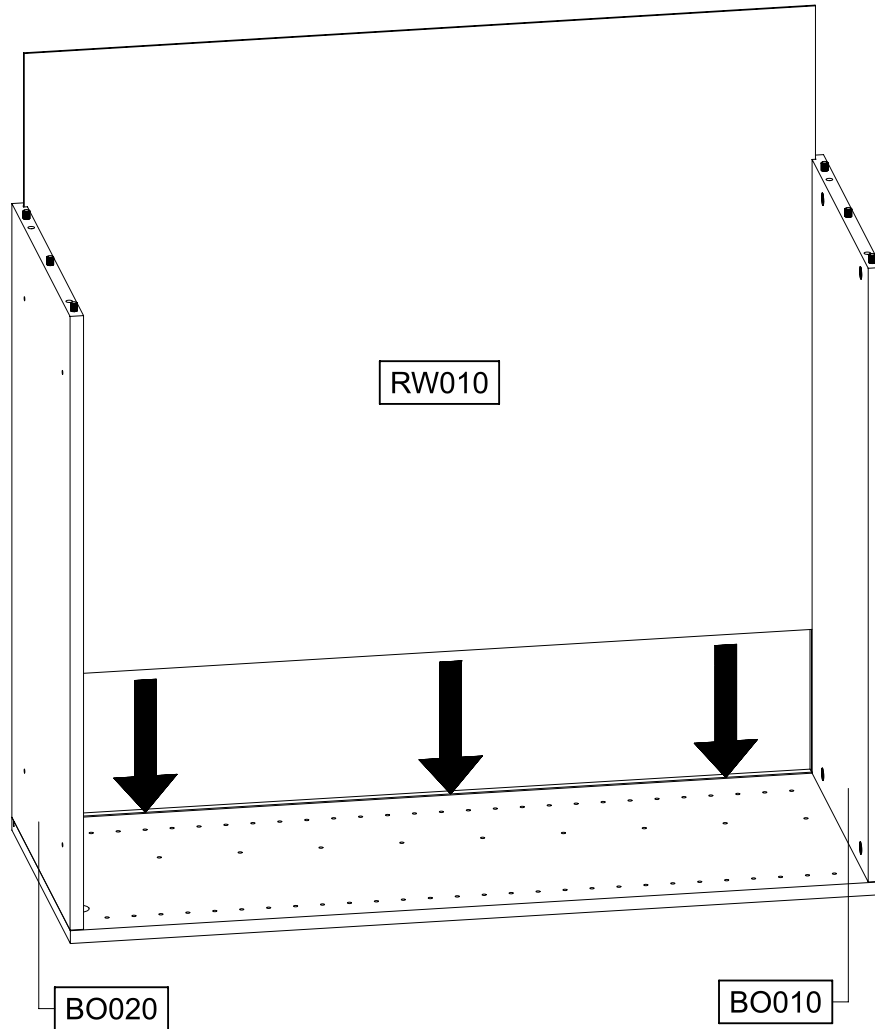
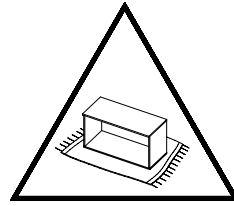
11



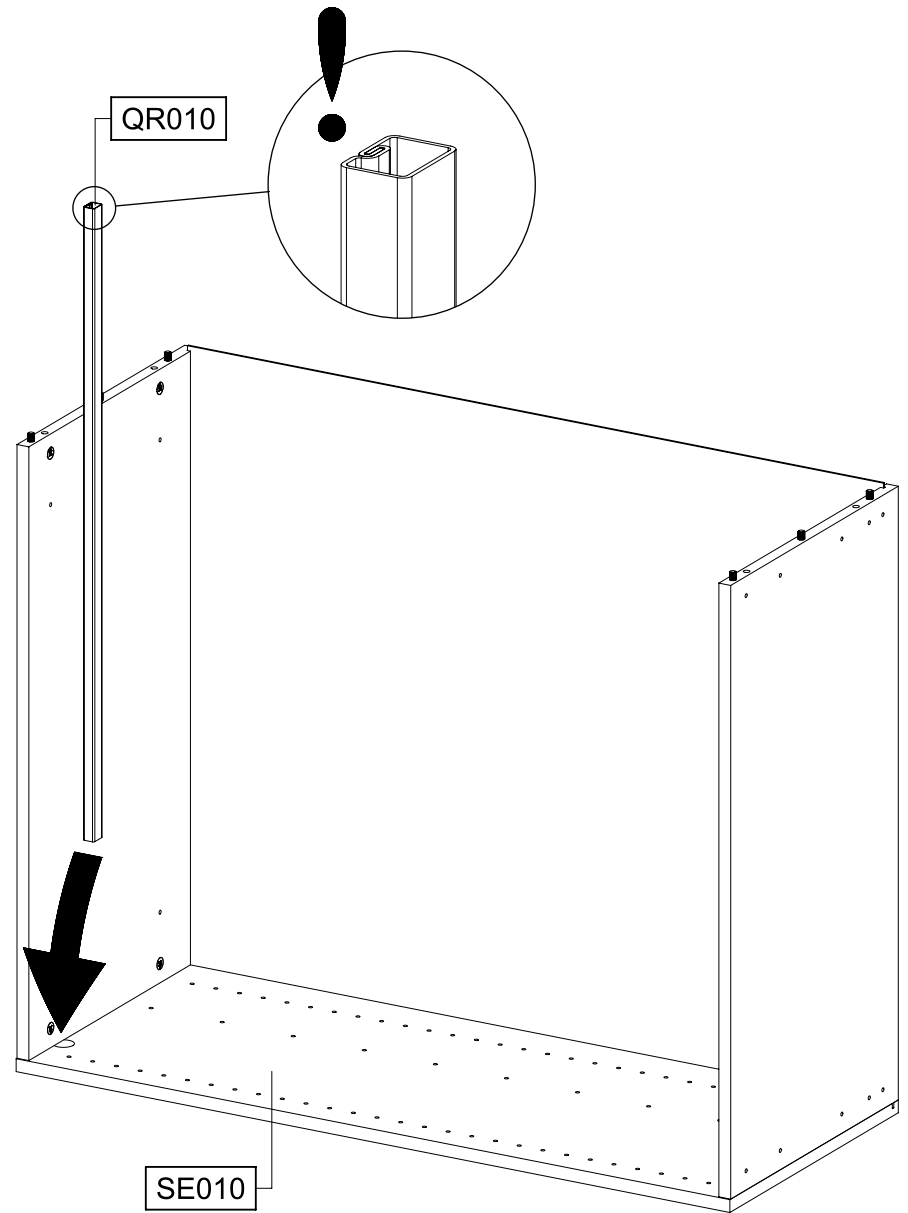
12



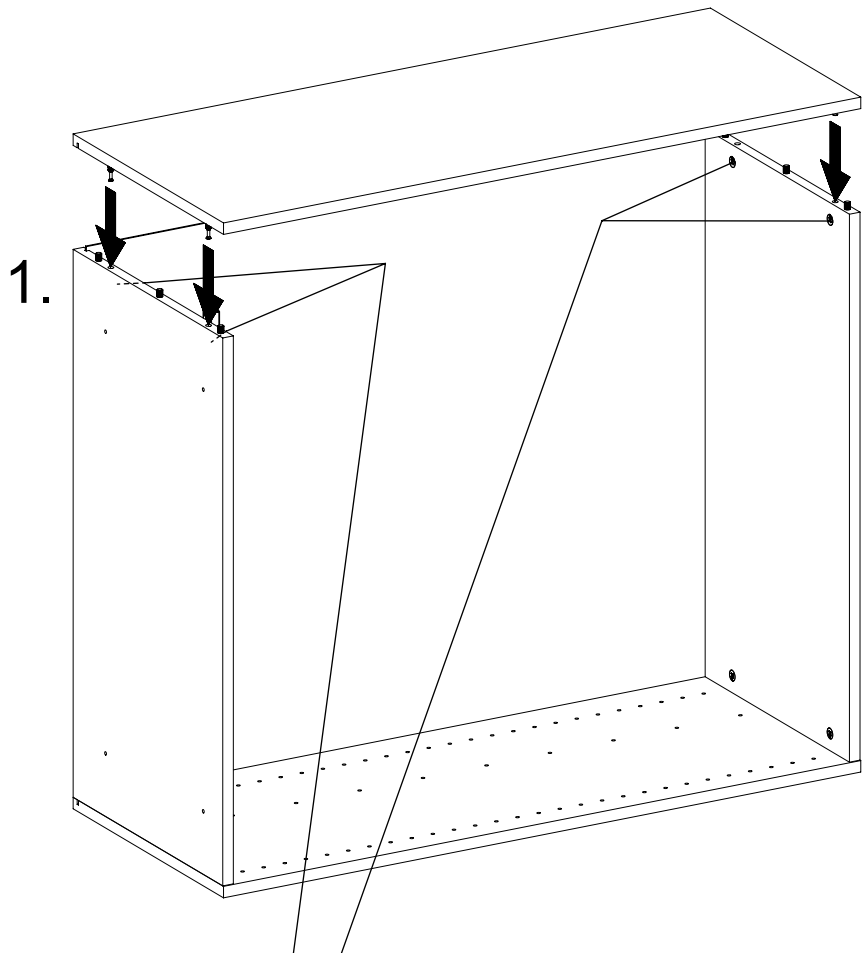
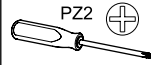
13



14

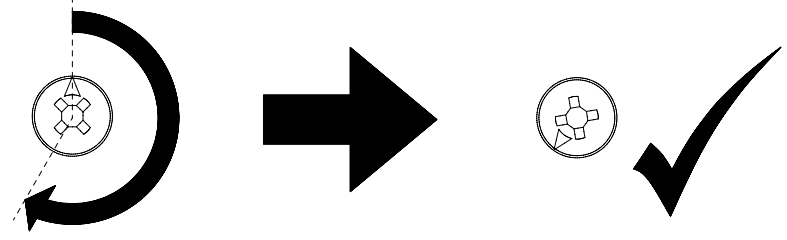


15



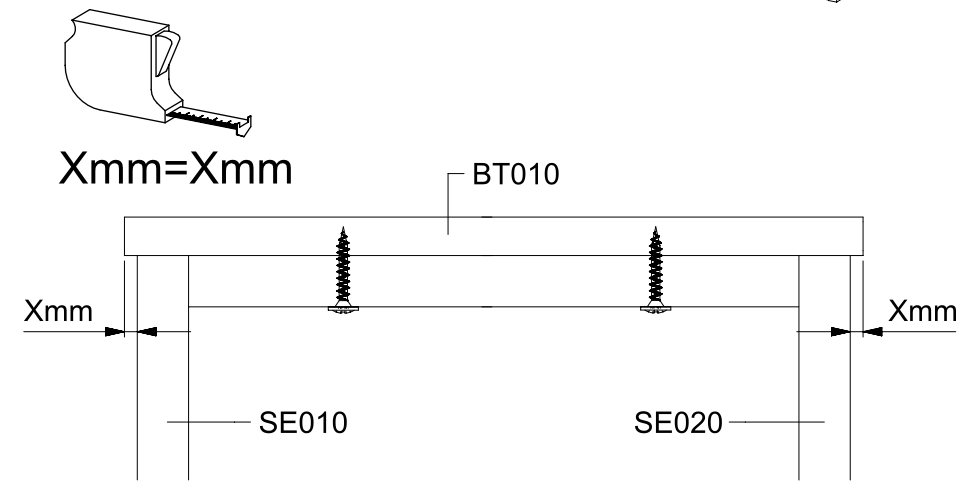
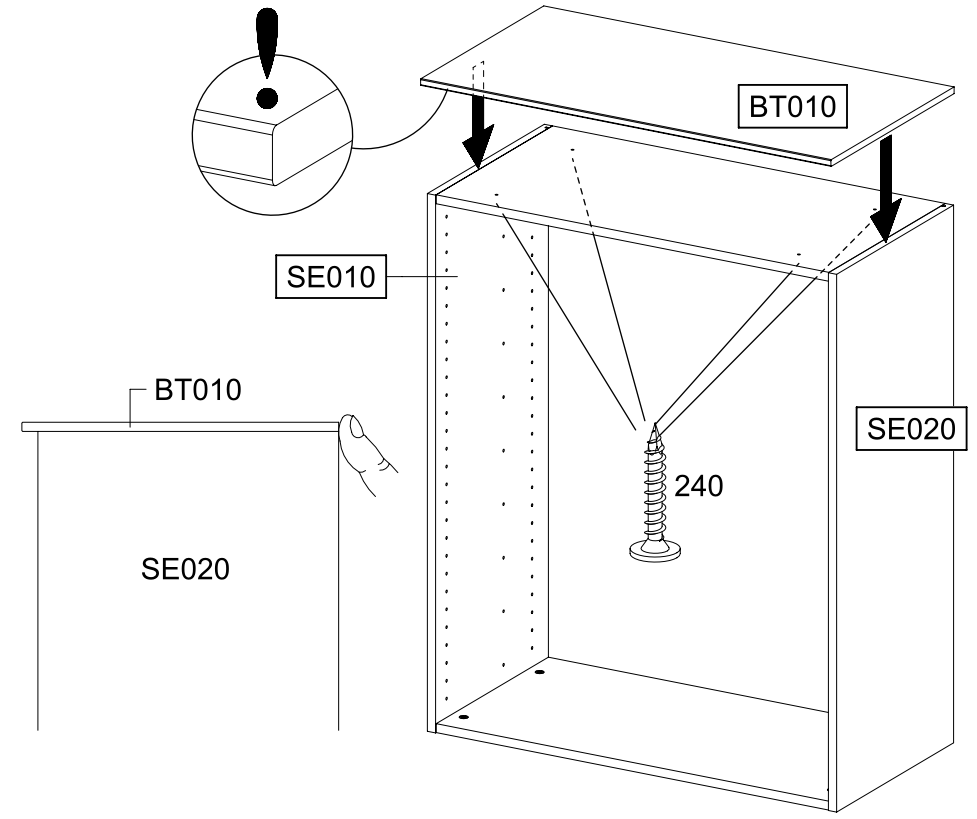
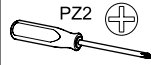
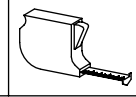
1.

2.



16

4x 240



Xmm=Xmm

Xmm

Xmm

BT010

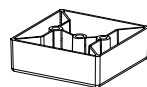
SE010

SE020

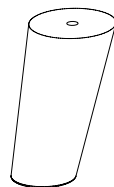
BT010

SE020

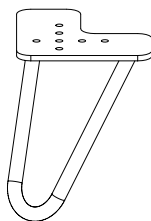
240



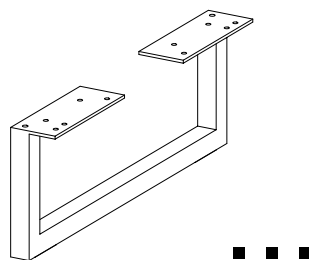
1207



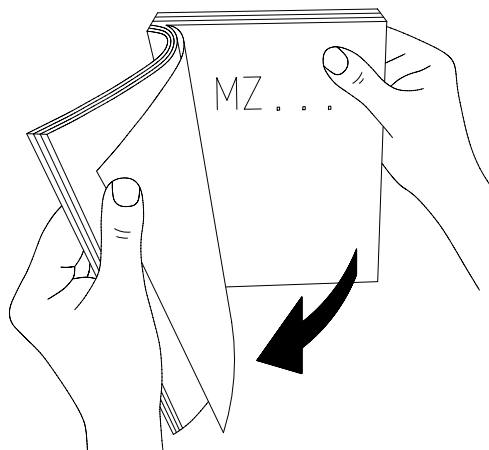
1481



1345



1348

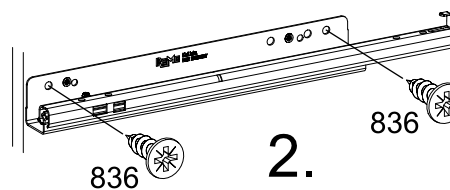
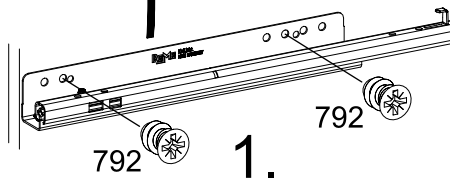
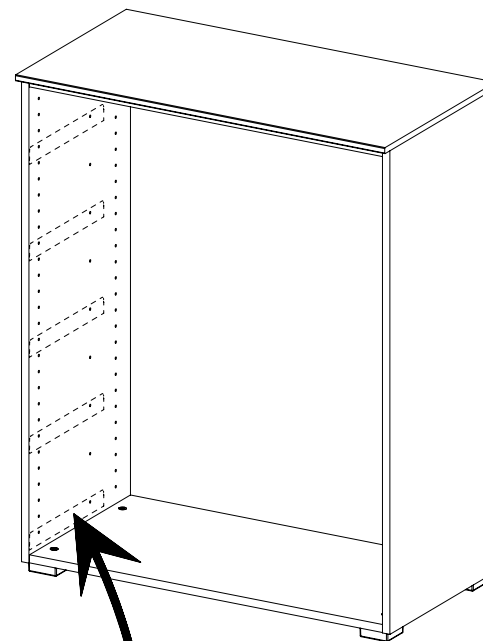
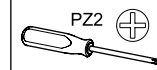
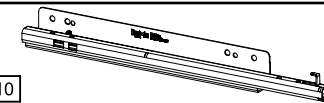


17

10x <sup>6,3x9</sup> 792

10x <sup>4x15</sup> 836

5x UF010



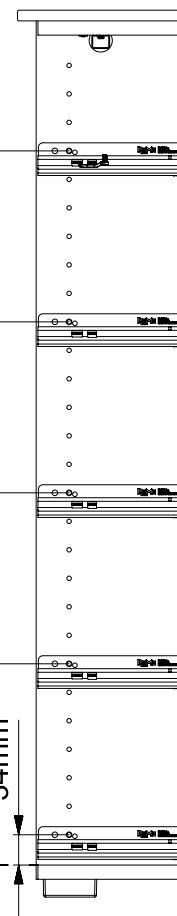
802mm

610mm

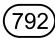
418mm

226mm

34mm

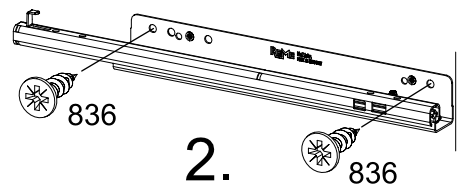
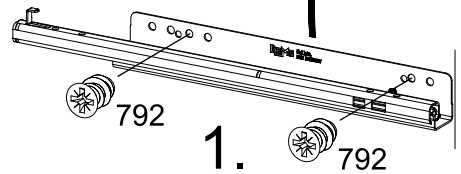
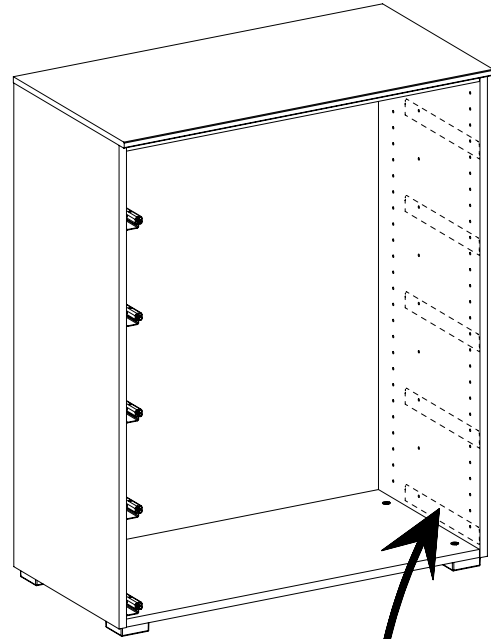
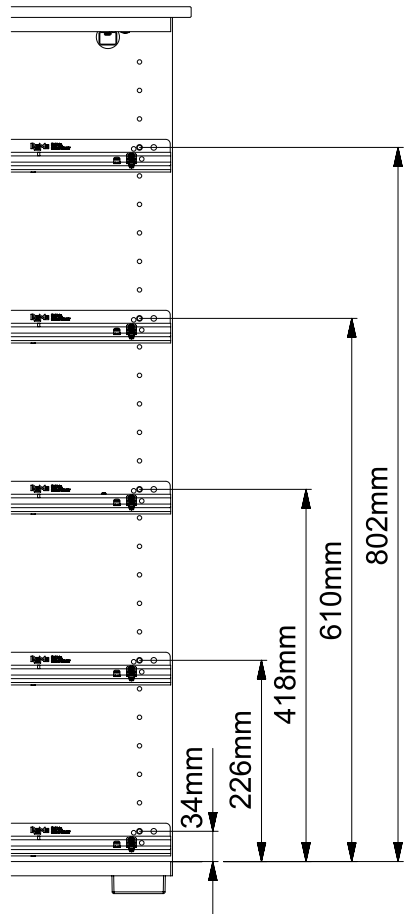
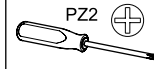
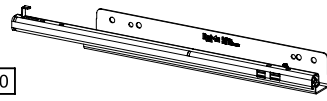


18

10x  792 6,3x9

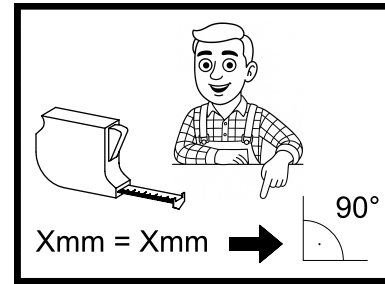
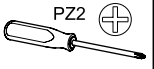
10x  836 4x15

5x  UF020

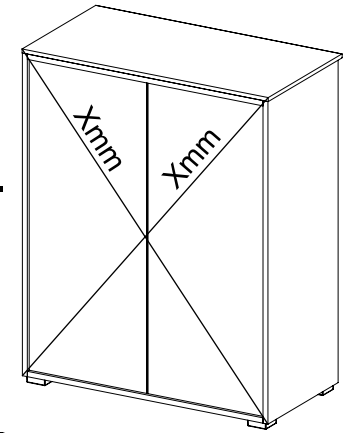


19

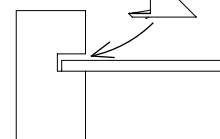
4x  45



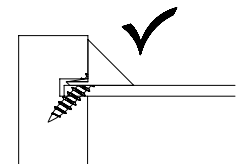
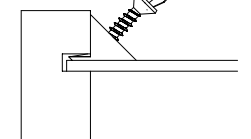
1.



2.



3.



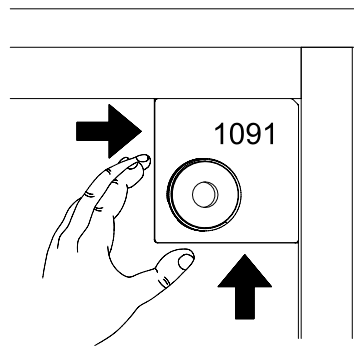
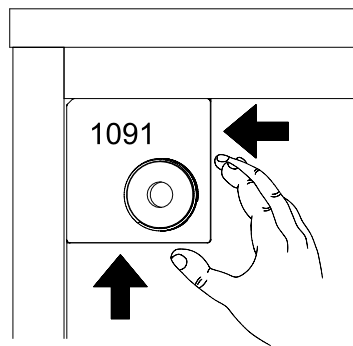
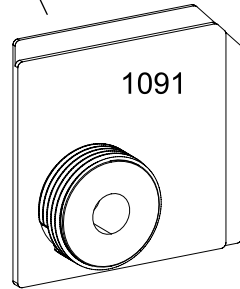
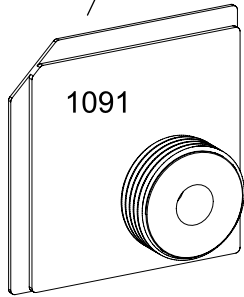
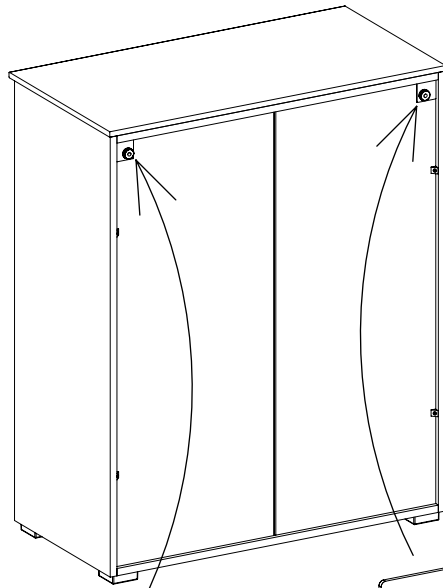
20

2x

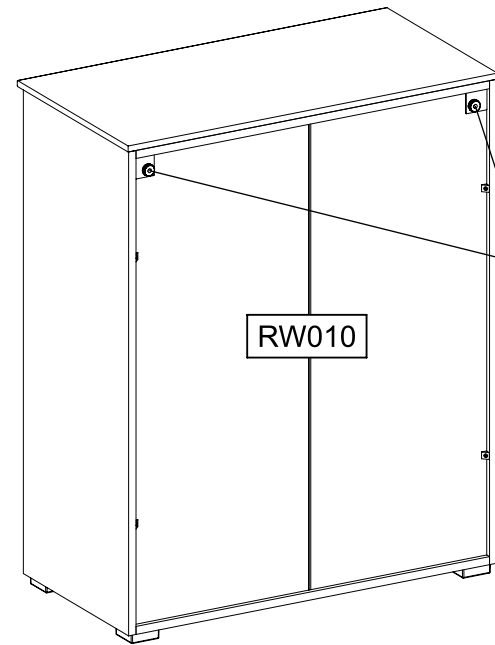
1091



SCAN ME

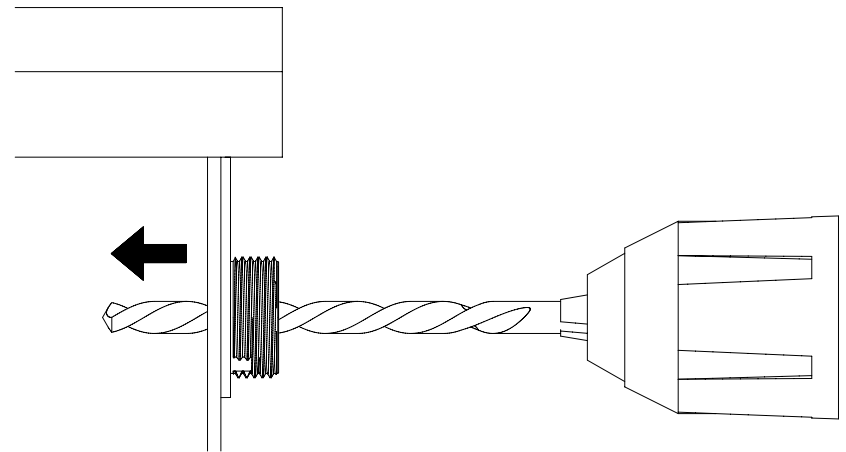


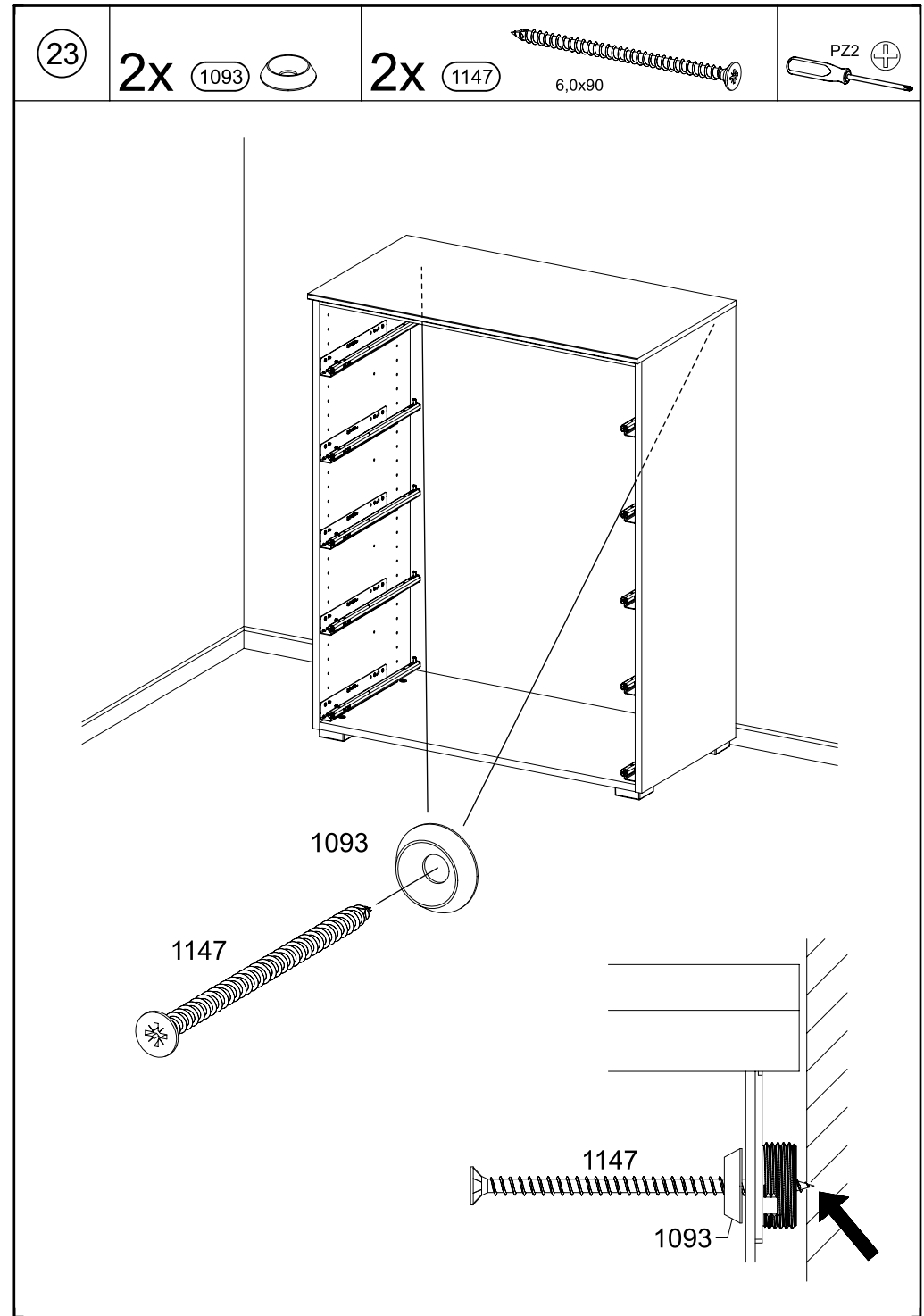
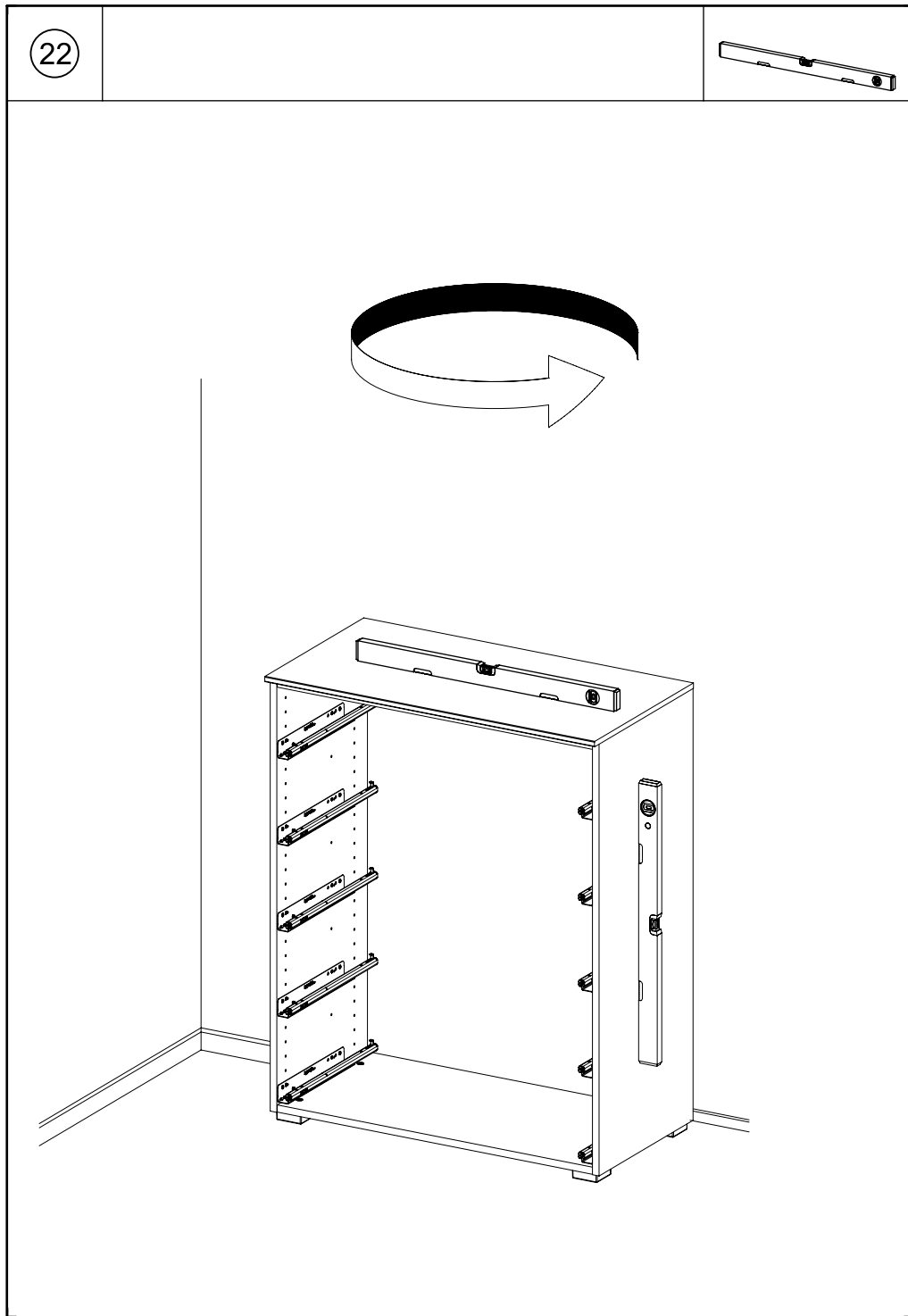
21



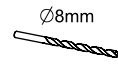
Ø 6mm

RW010

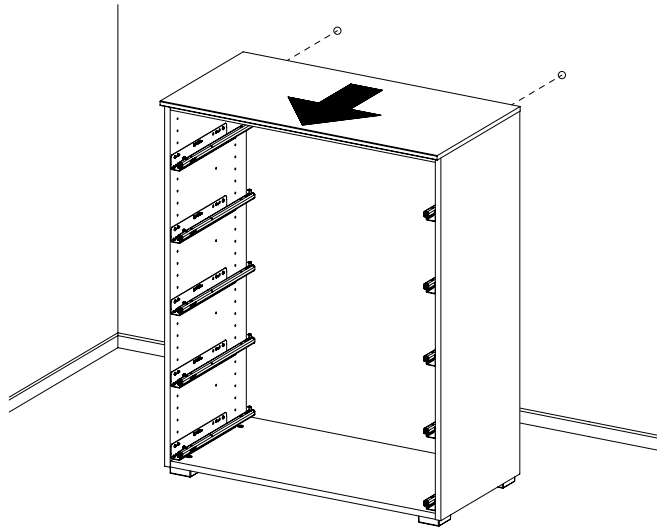




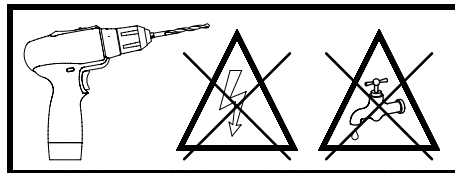
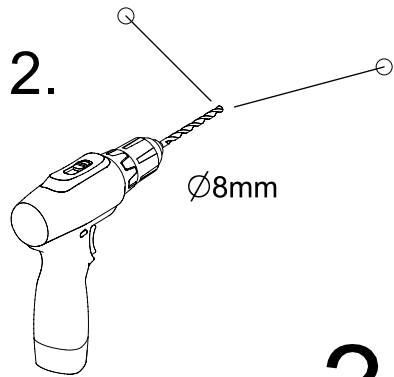
24



1.

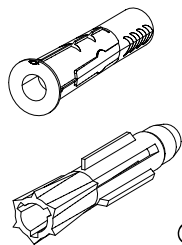
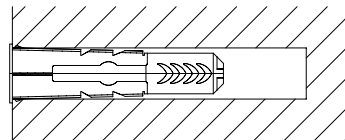


2.



?

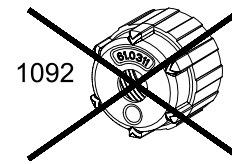
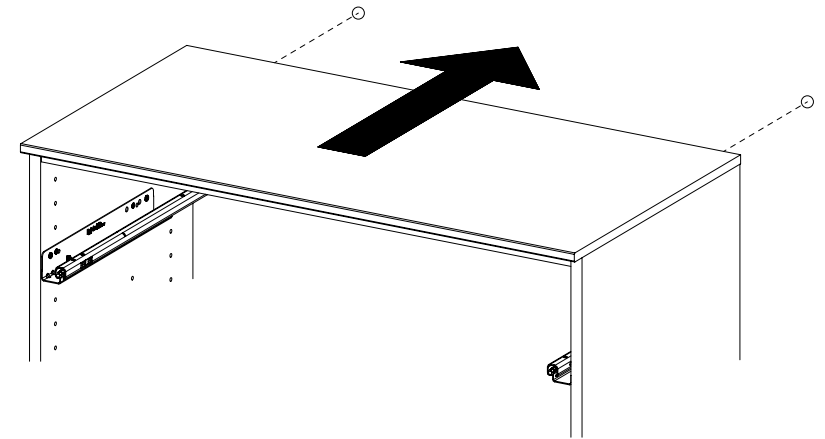
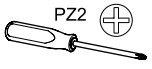
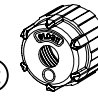
3.



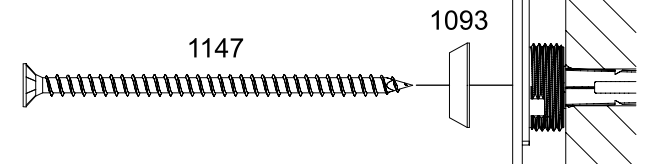
Ø8mm

25

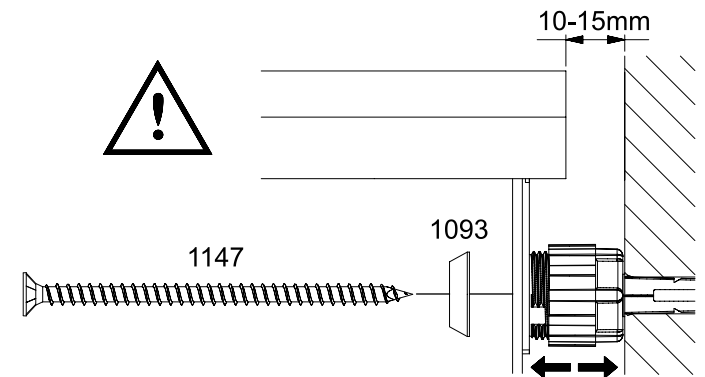
2x 1092



2.



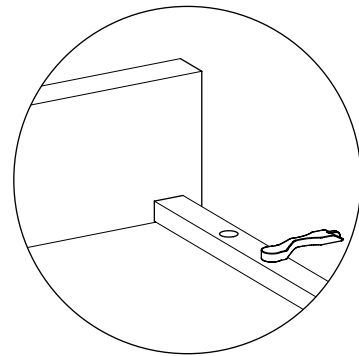
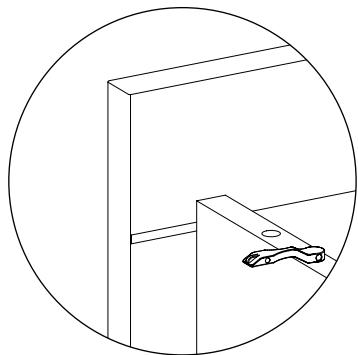
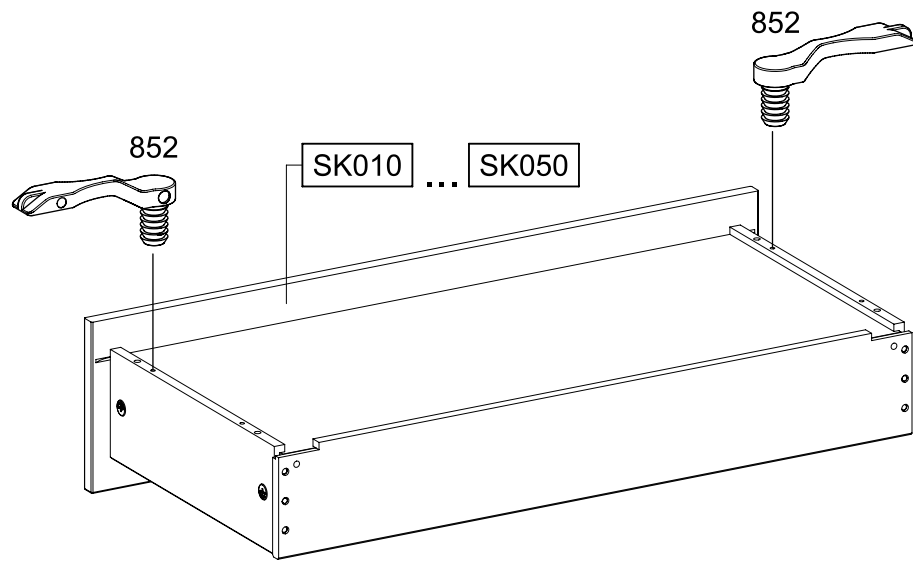
2.



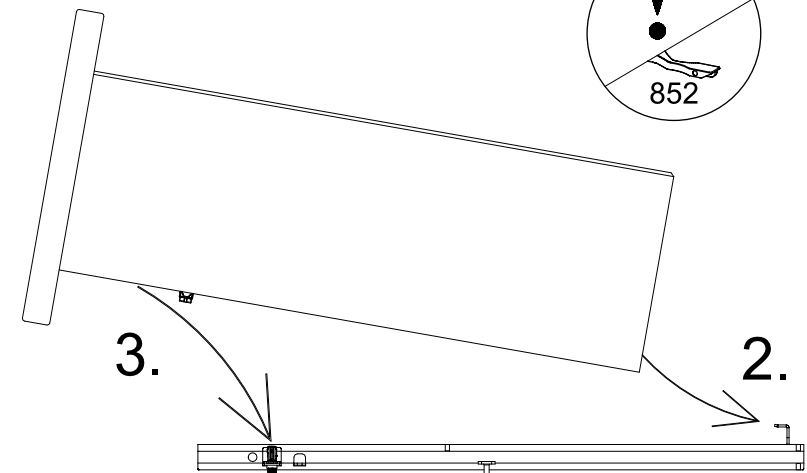
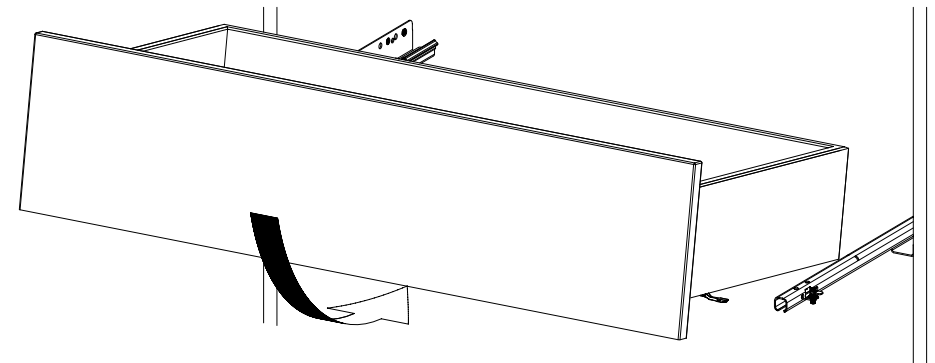
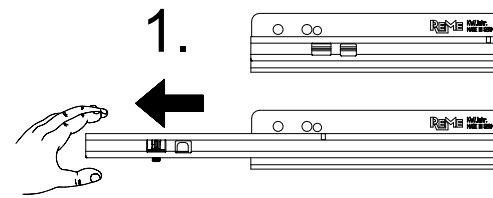
26

10x

852



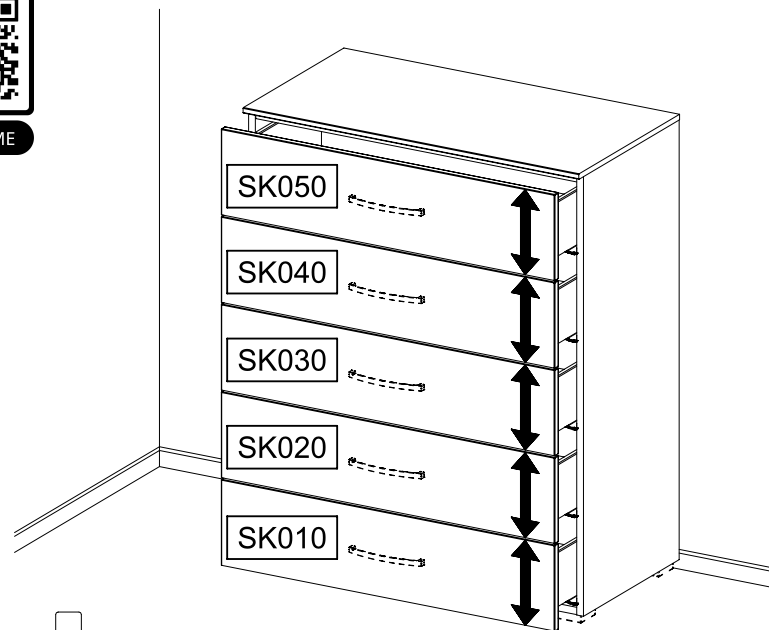
27



28



SCAN ME



SK010  
SK020  
SK030  
SK040  
SK050

