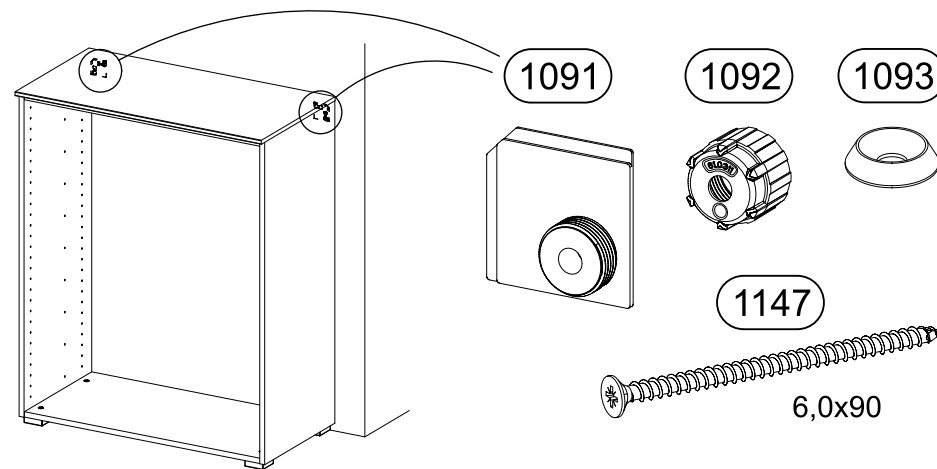
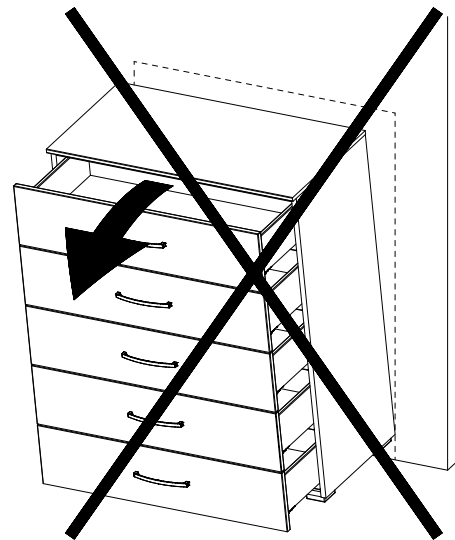
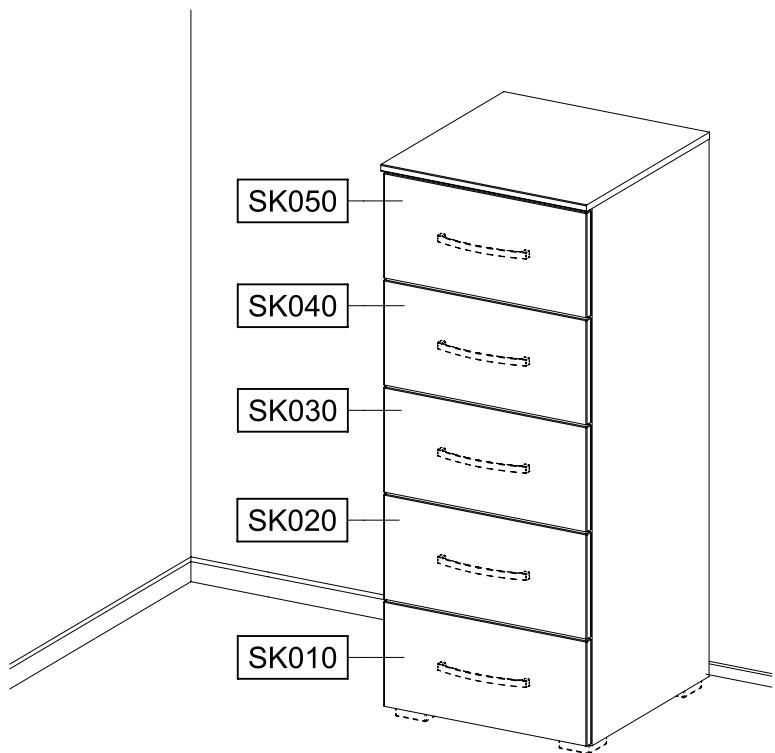
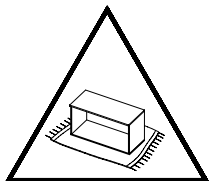
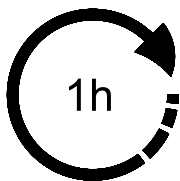
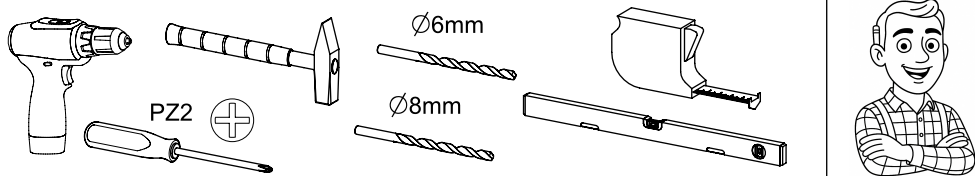
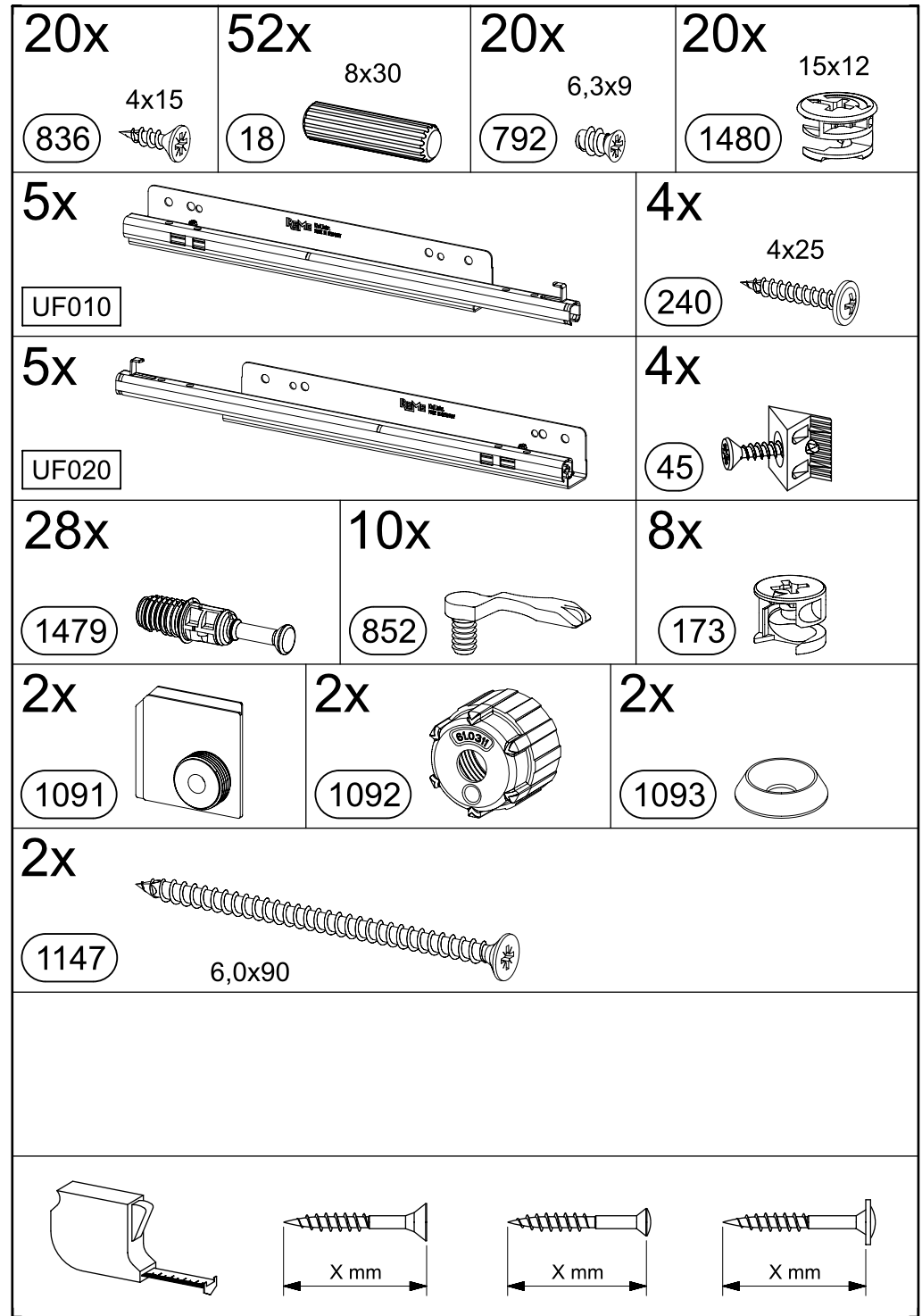
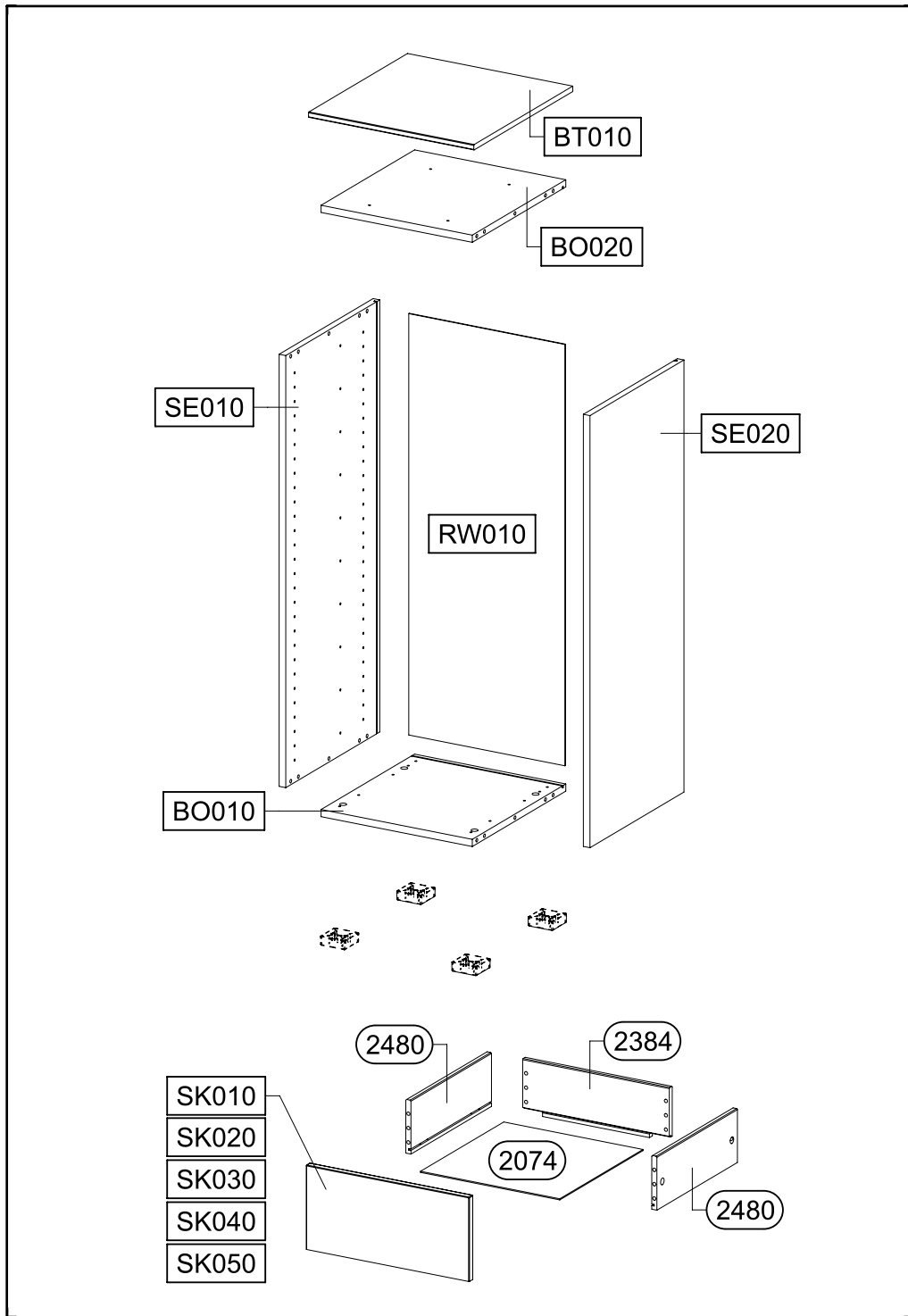
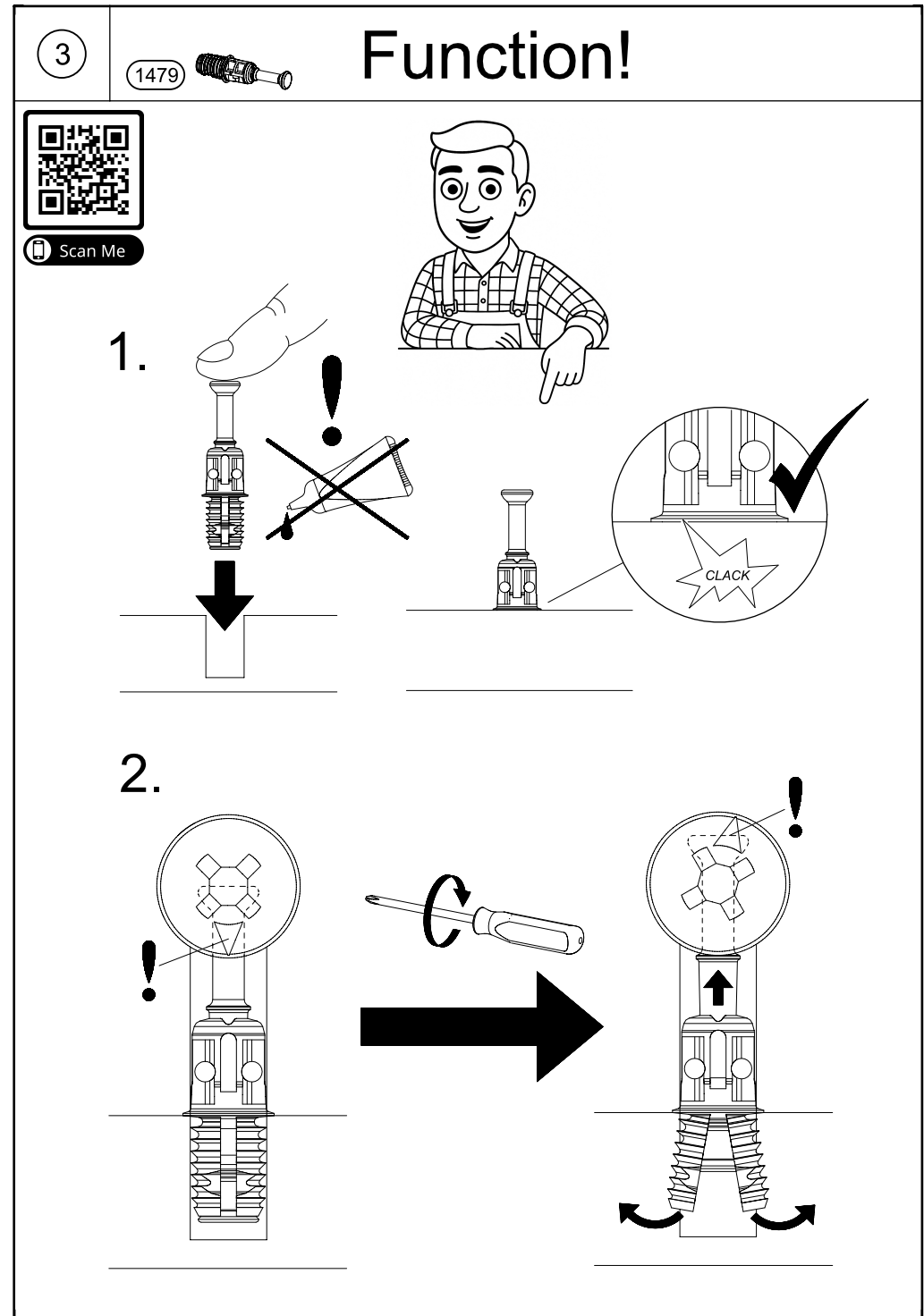
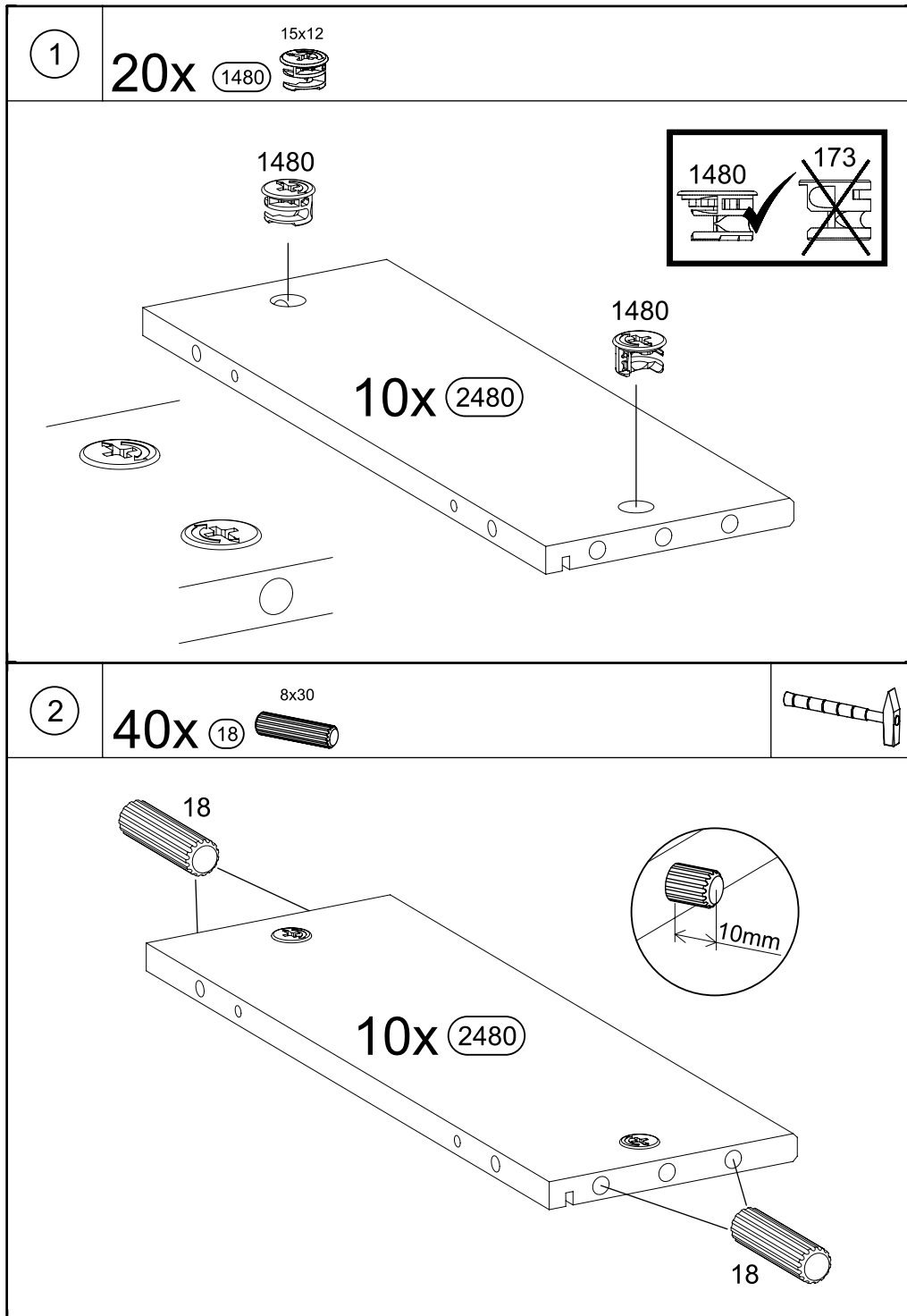


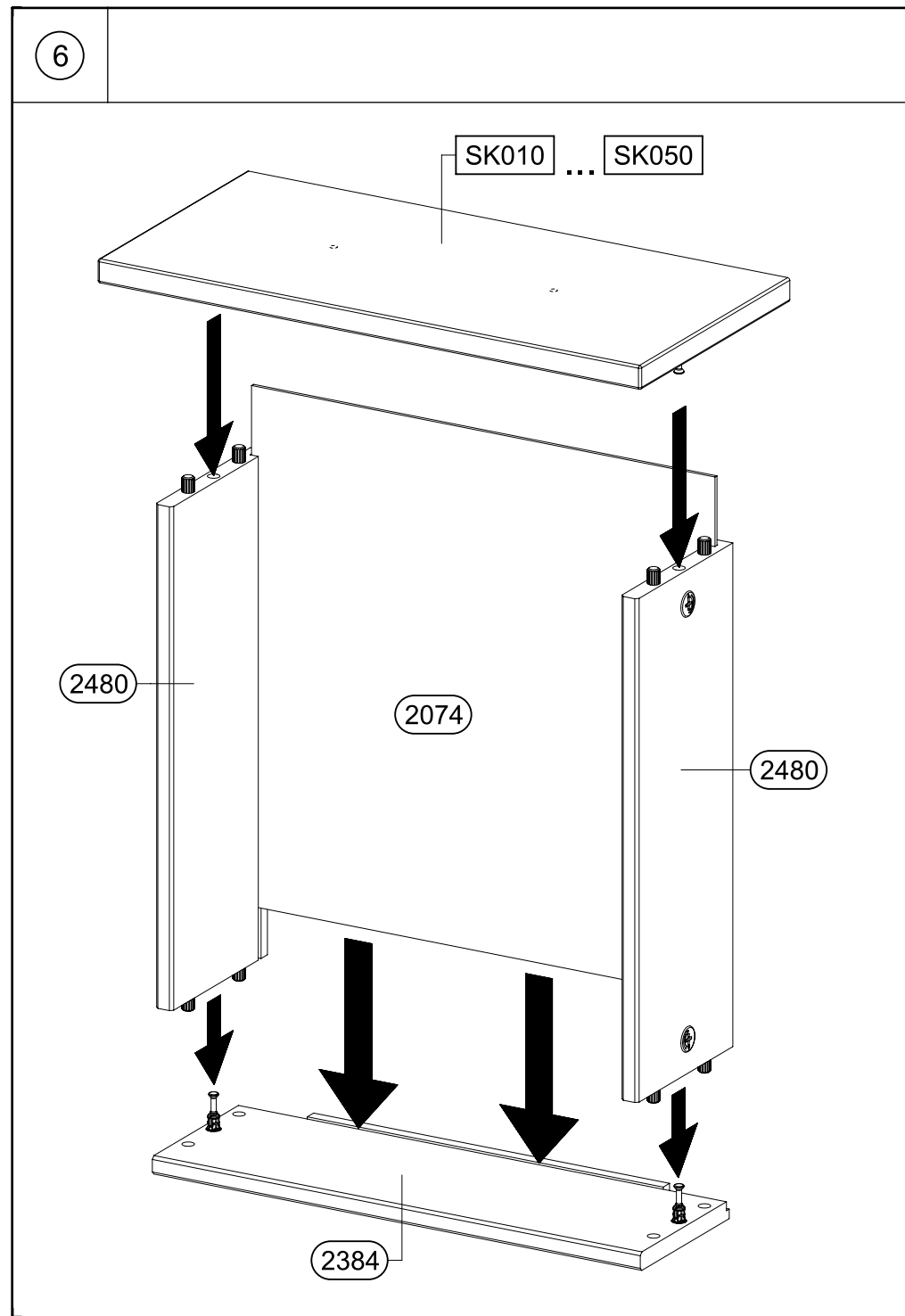
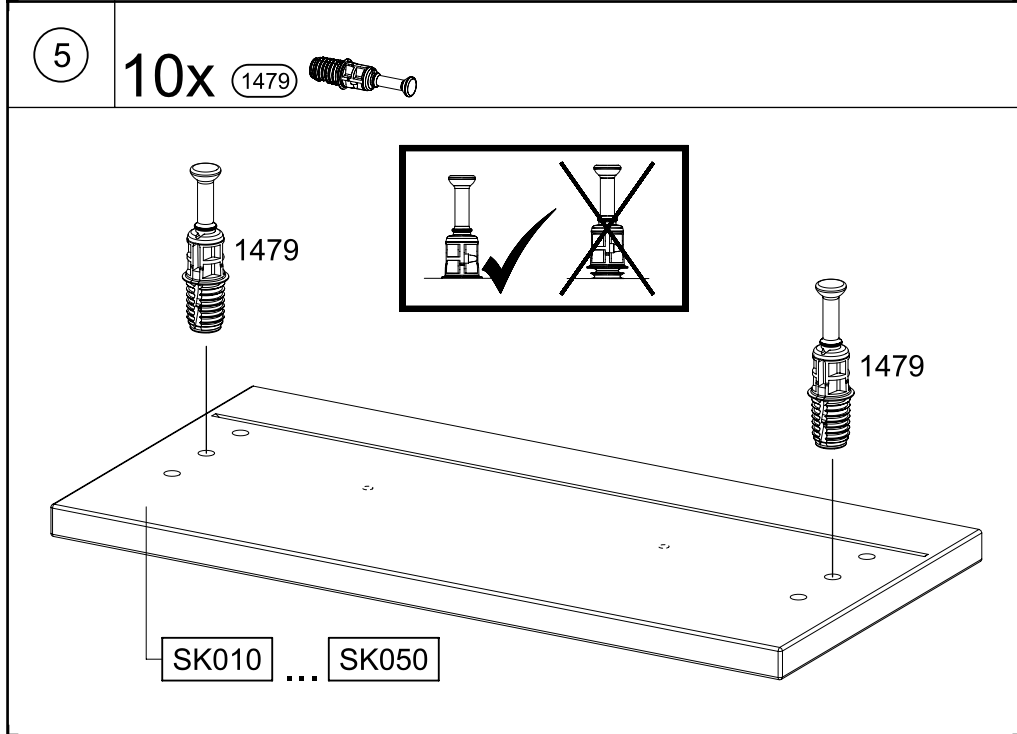
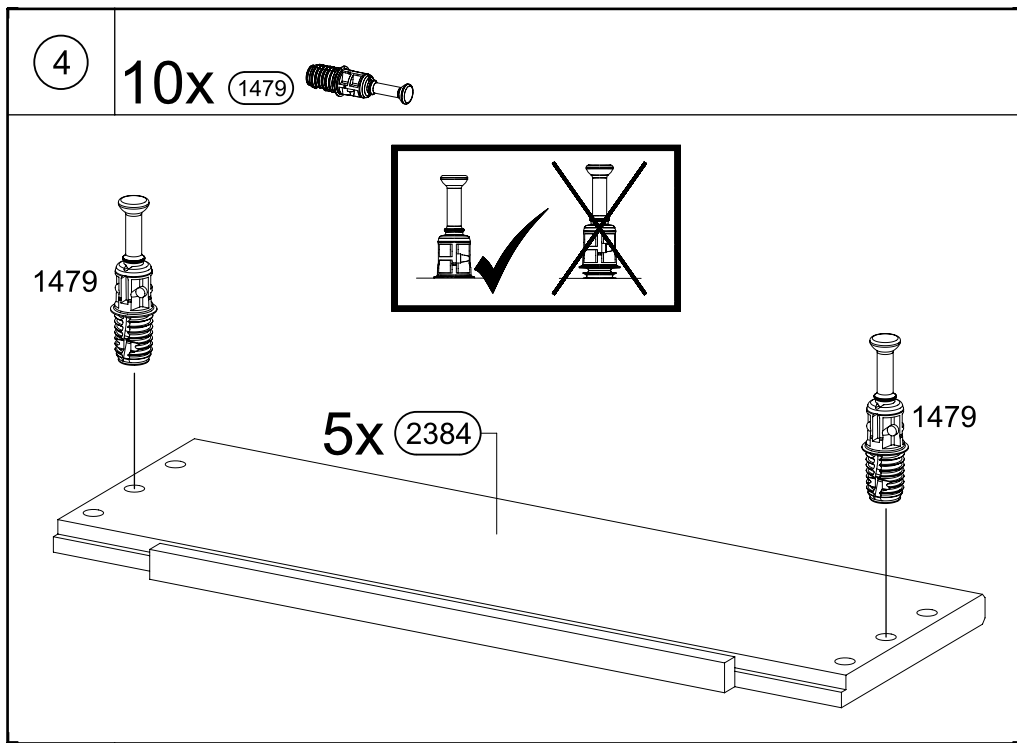
M3103_02

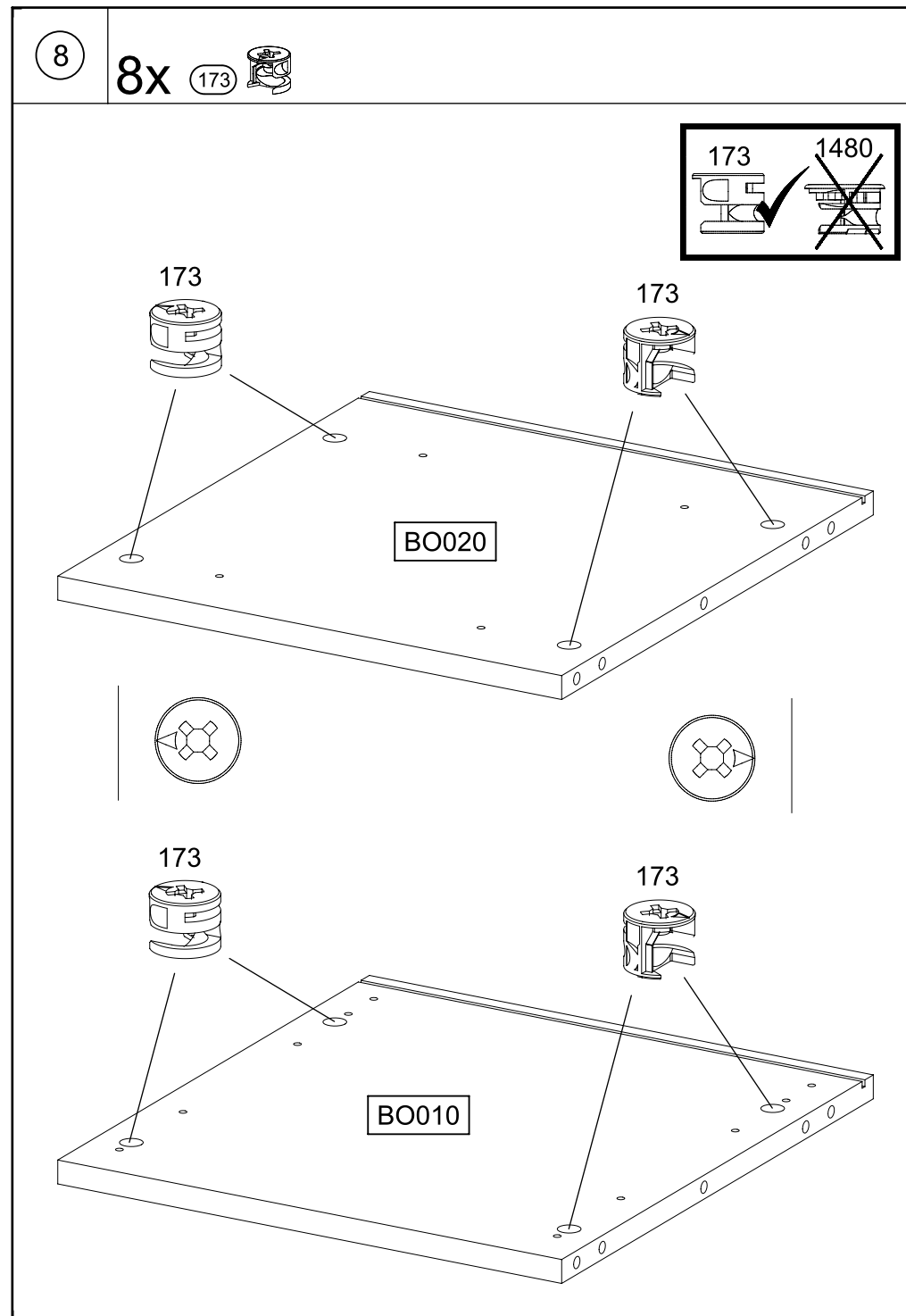
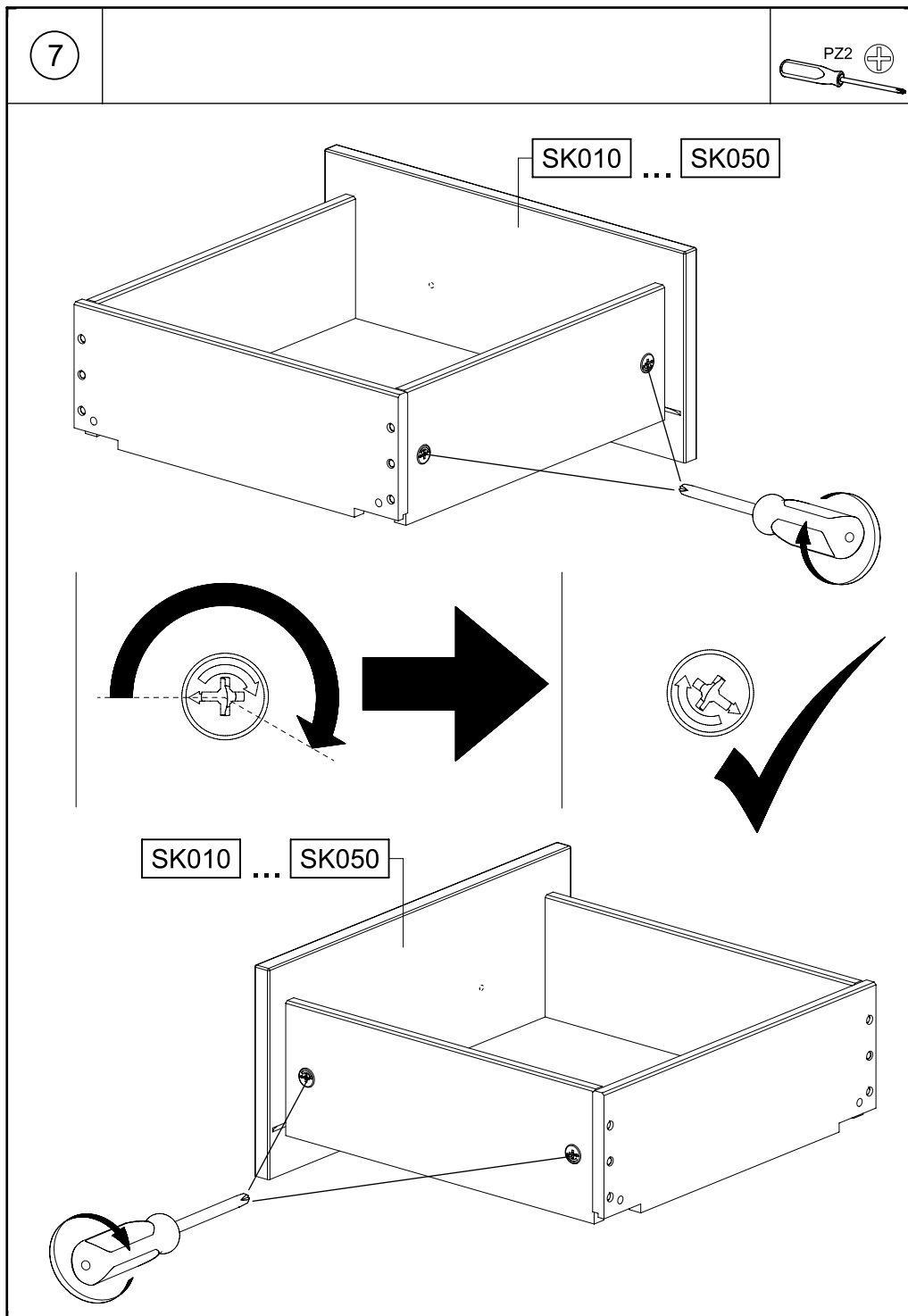


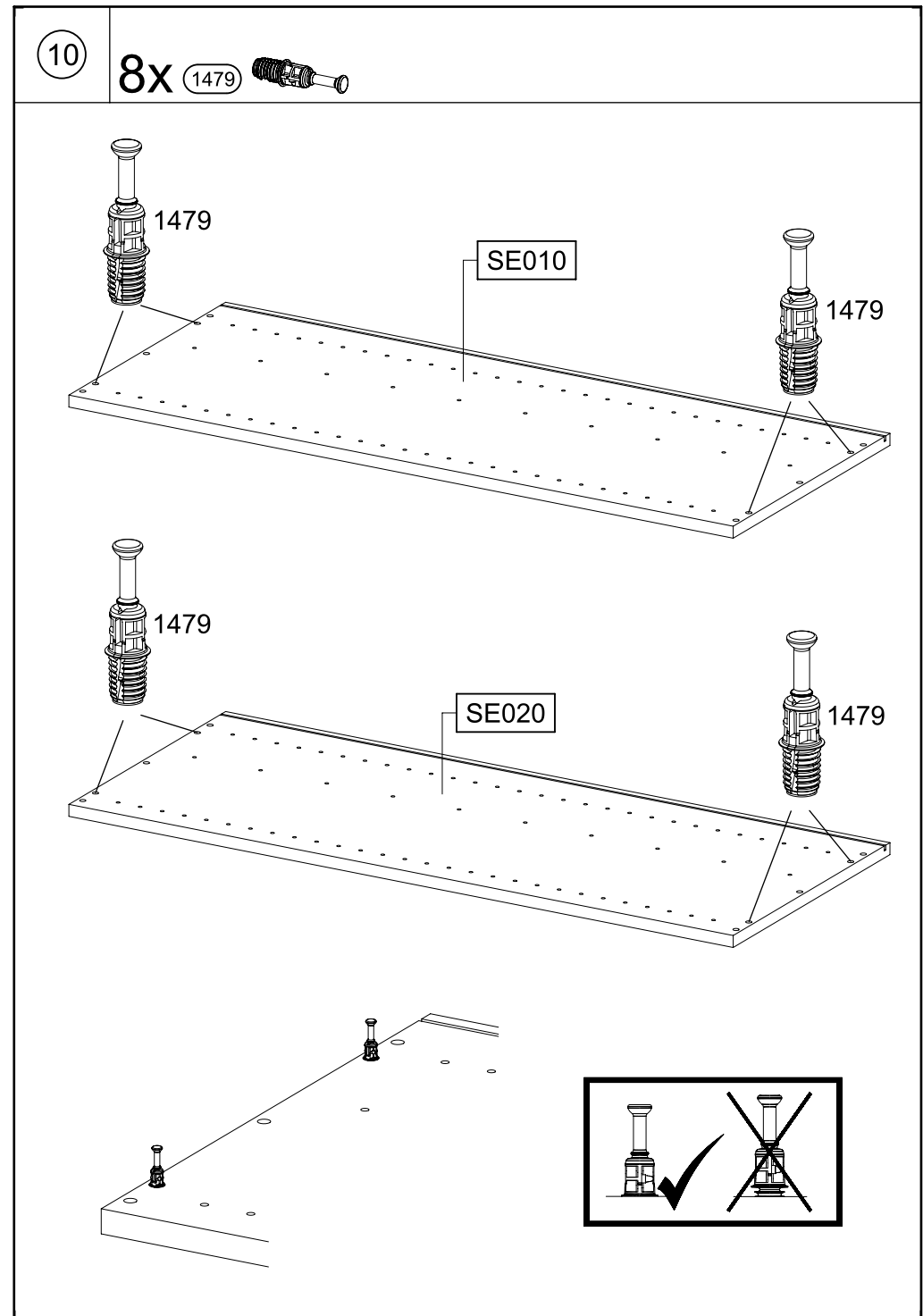
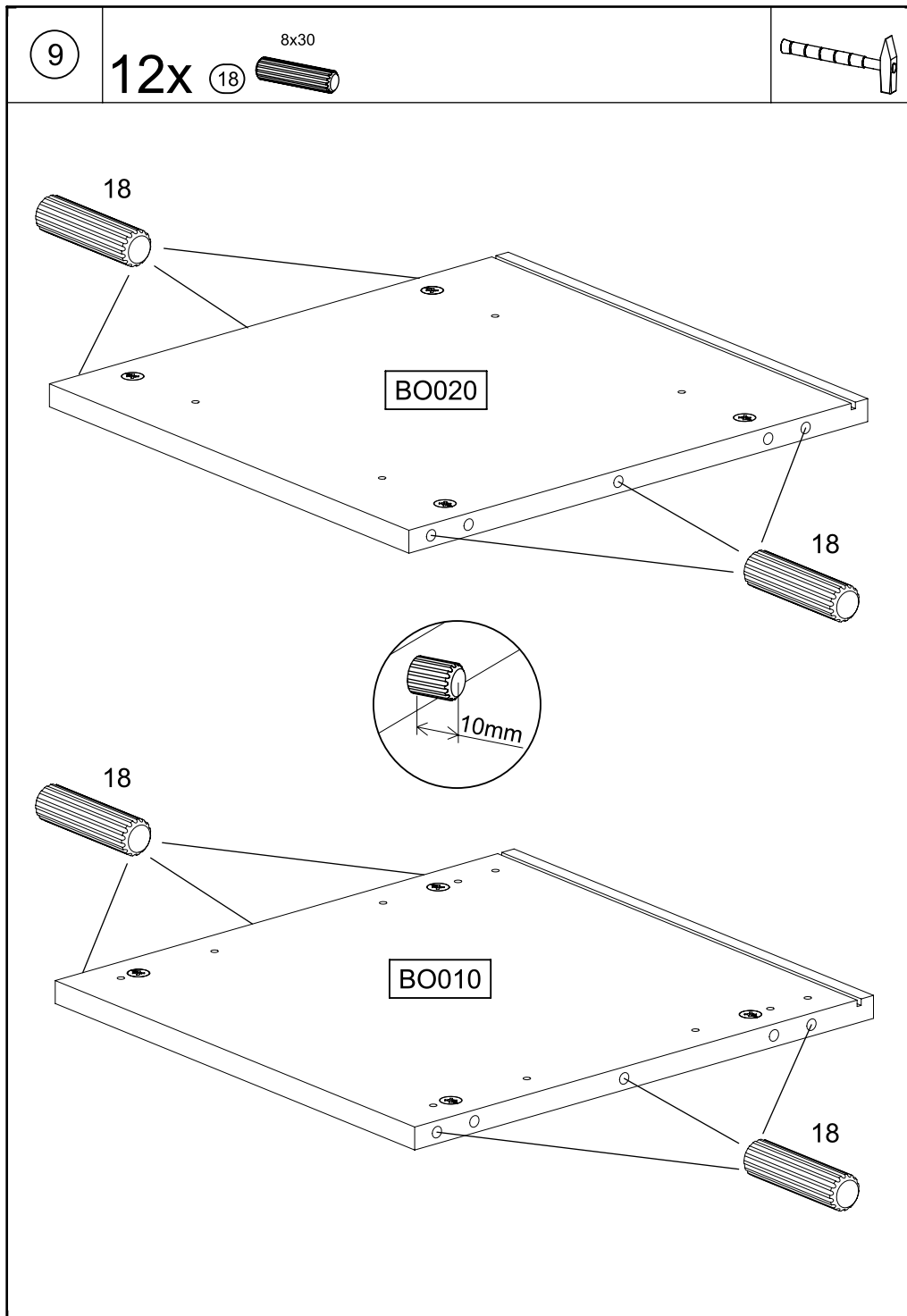
SCAN ME



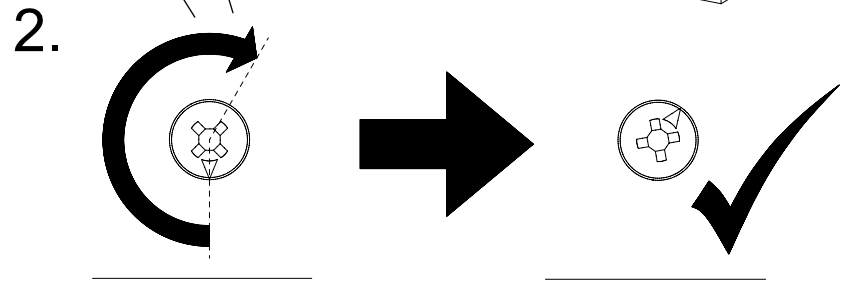
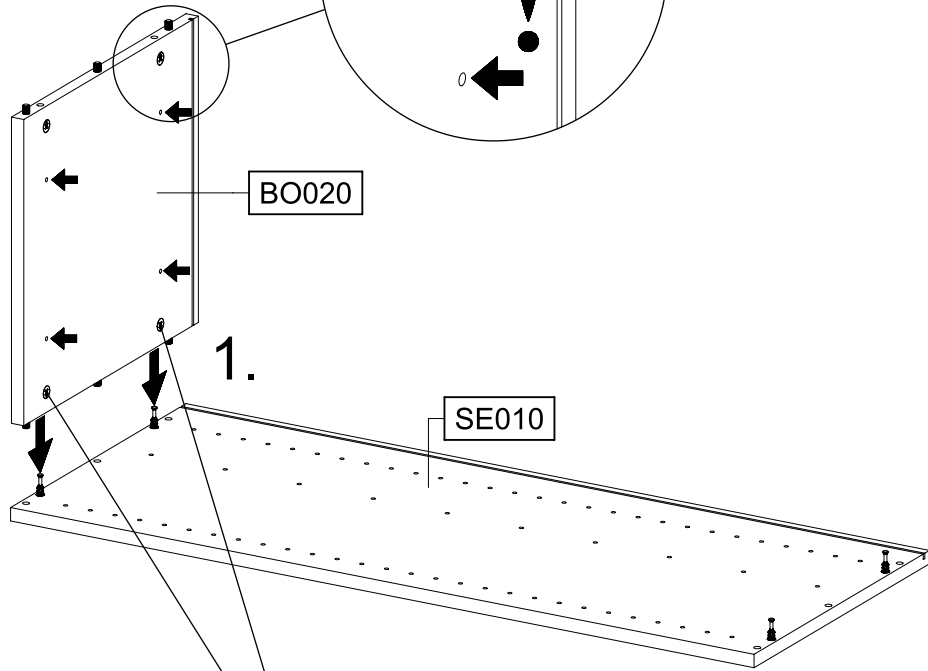
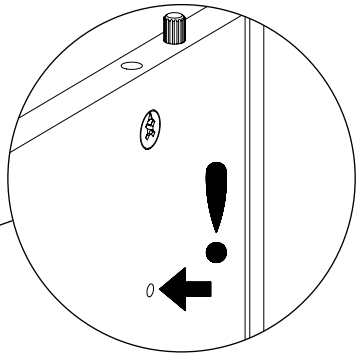
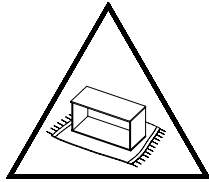
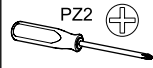




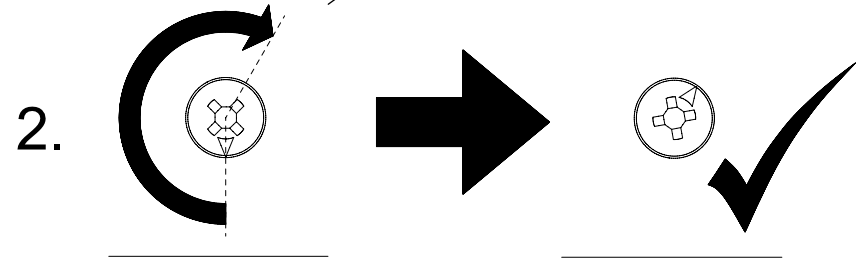
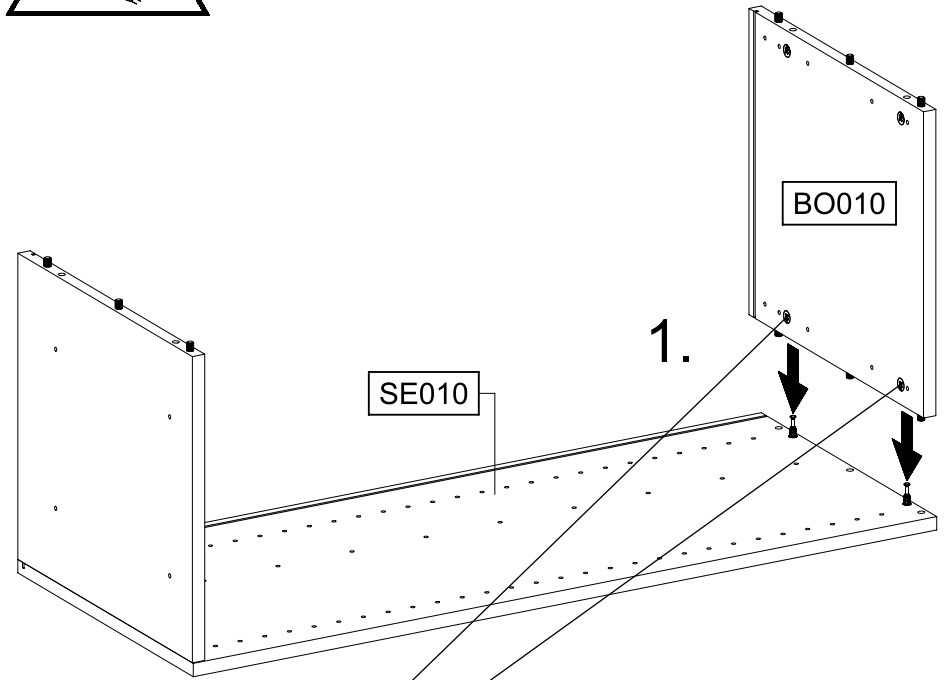
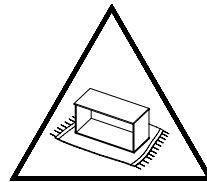
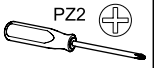




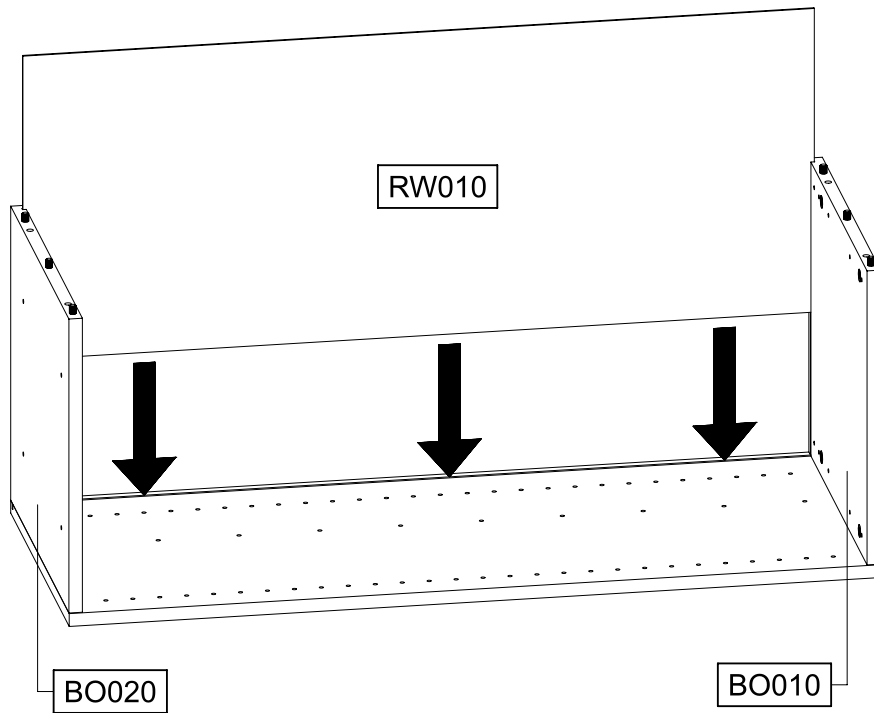
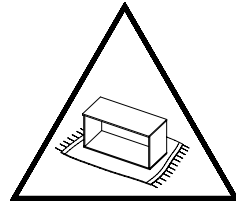
11



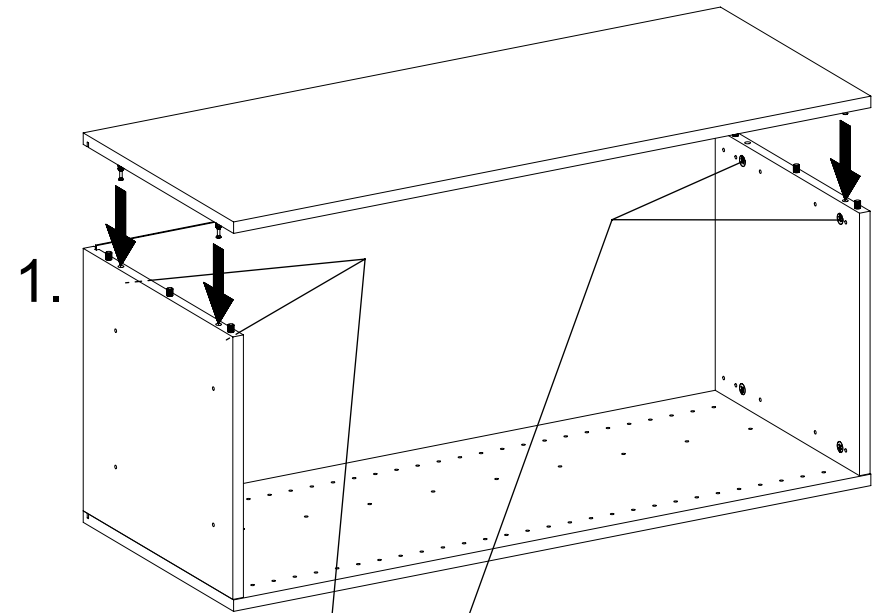
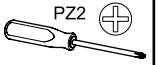
12



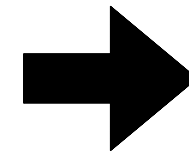
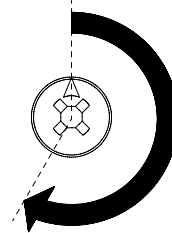
13



14



2.

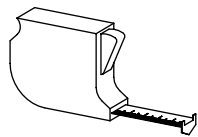
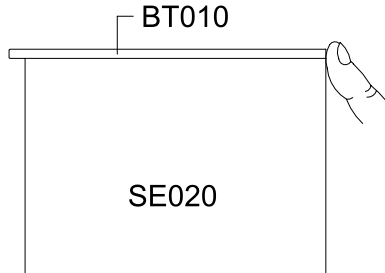
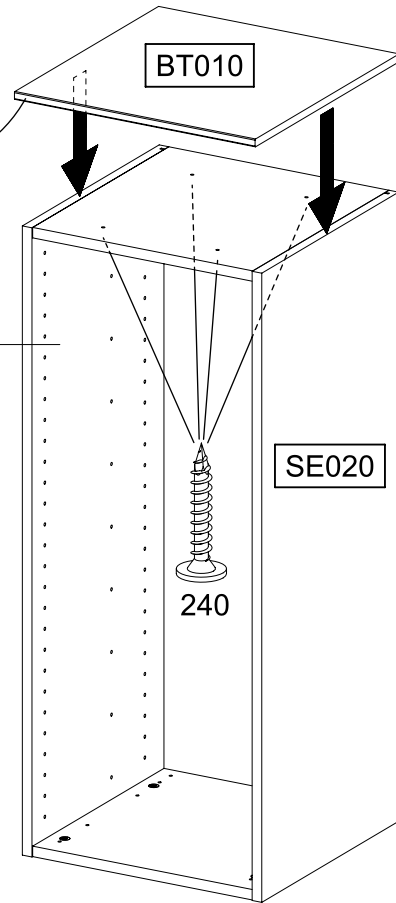
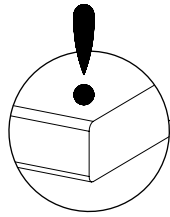
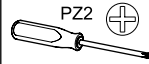
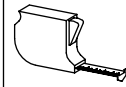


15

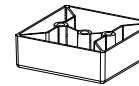
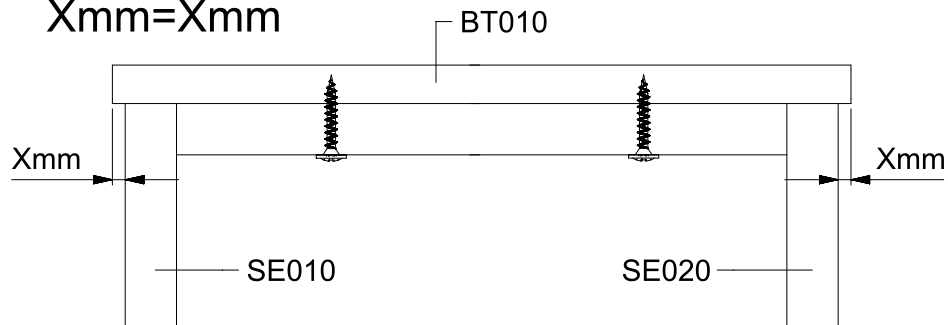
4x

240

4x25



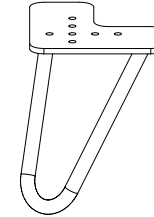
Xmm=Xmm



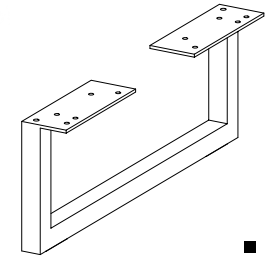
1207



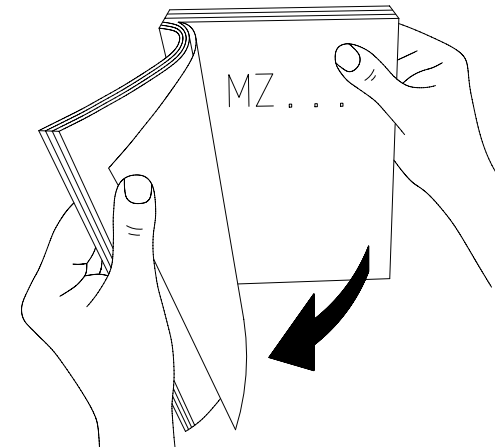
1481



1345



1348

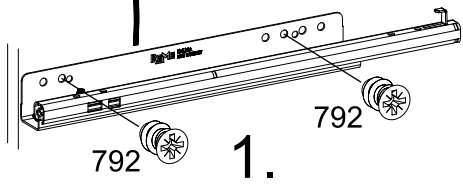
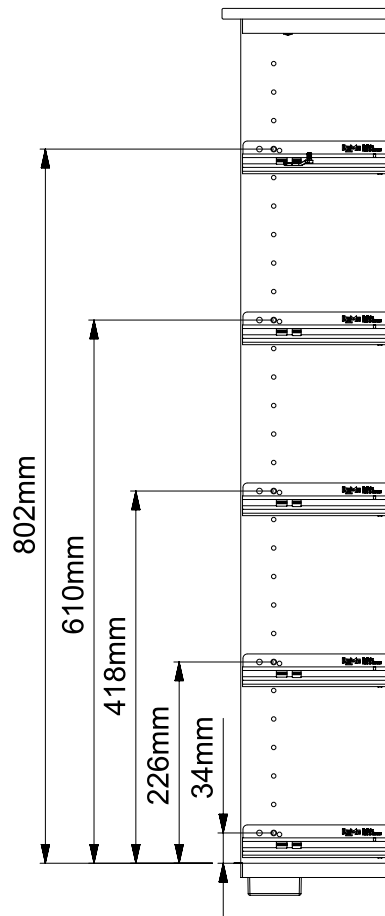
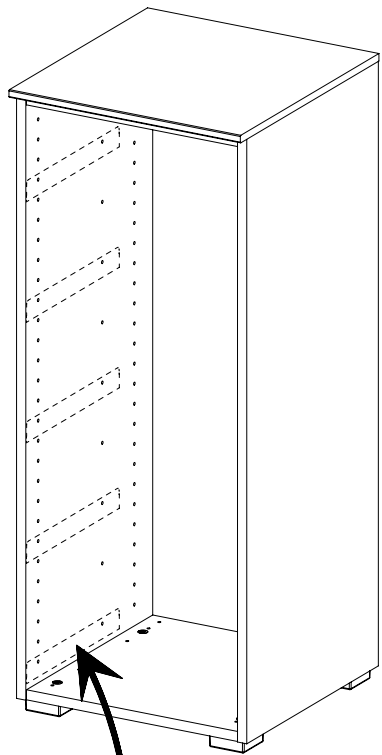
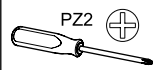
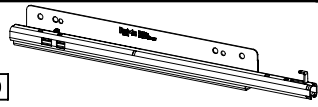


16

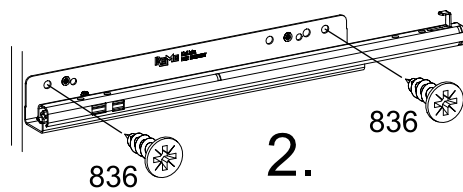
10x ^{6,3x9} 792

10x ^{4x15} 836

5x UF010



1.



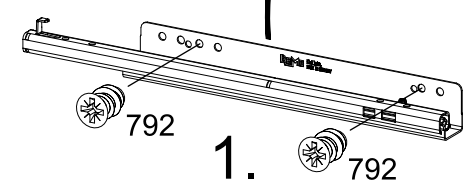
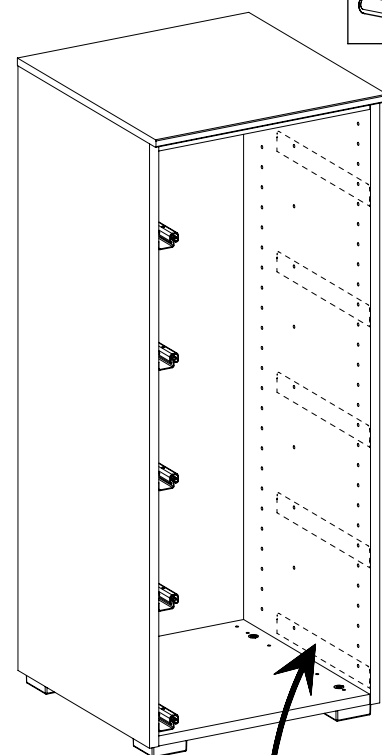
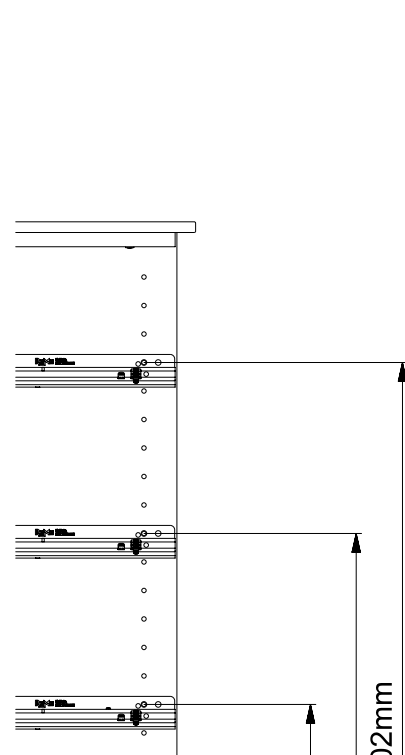
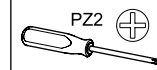
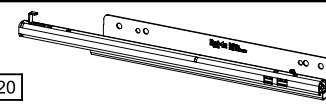
2.

17

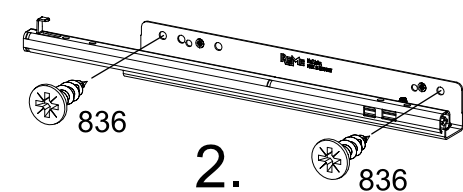
10x ^{6,3x9} 792

10x ^{4x15} 836

5x UF020



1.

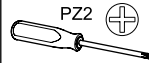


2.

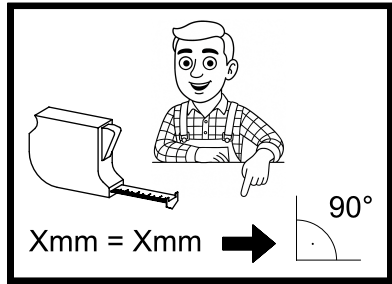
18

4x

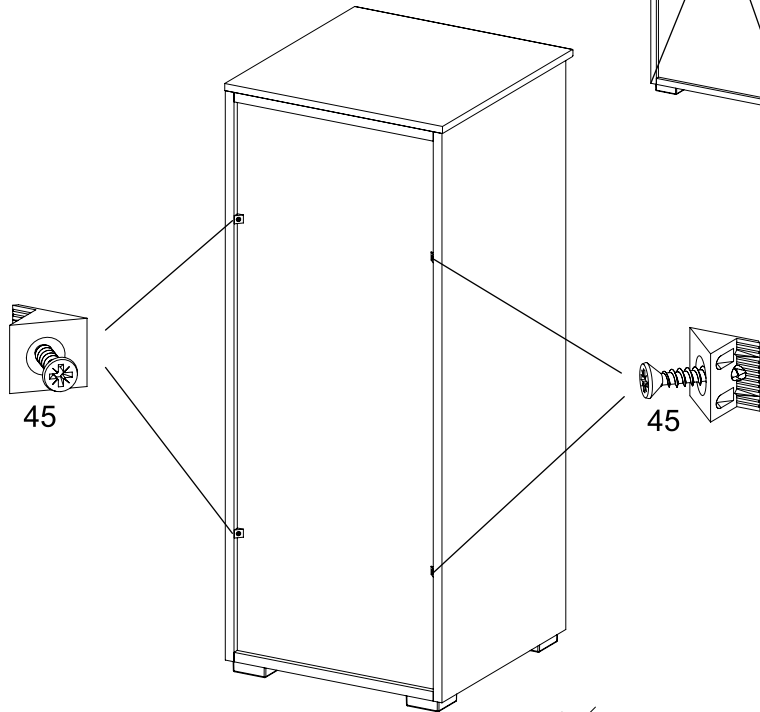
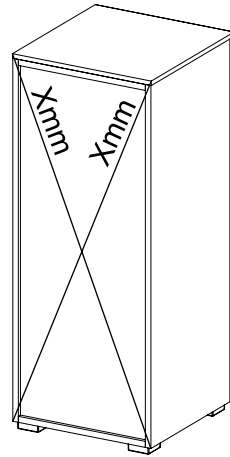
45



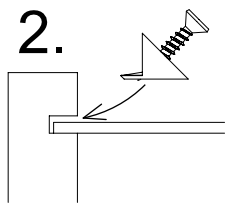
PZ2



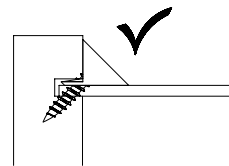
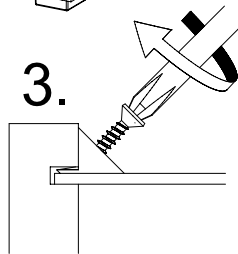
1.



2.



3.



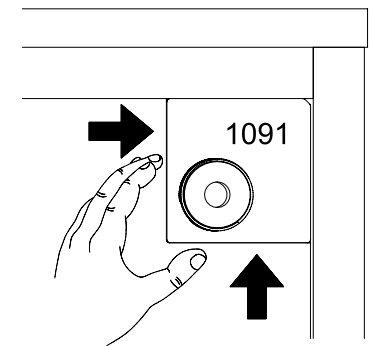
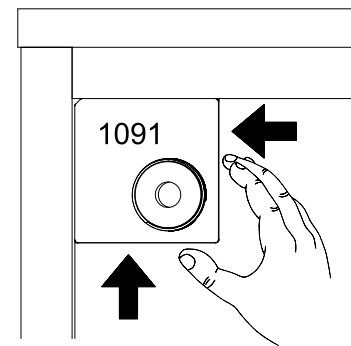
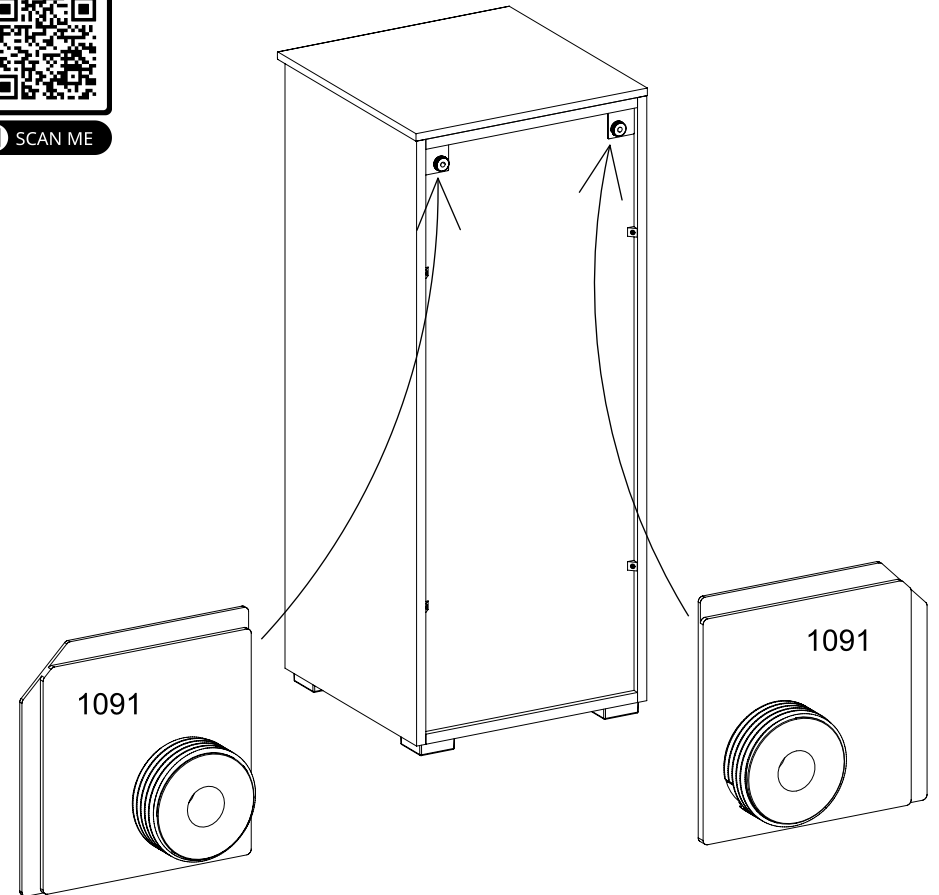
19

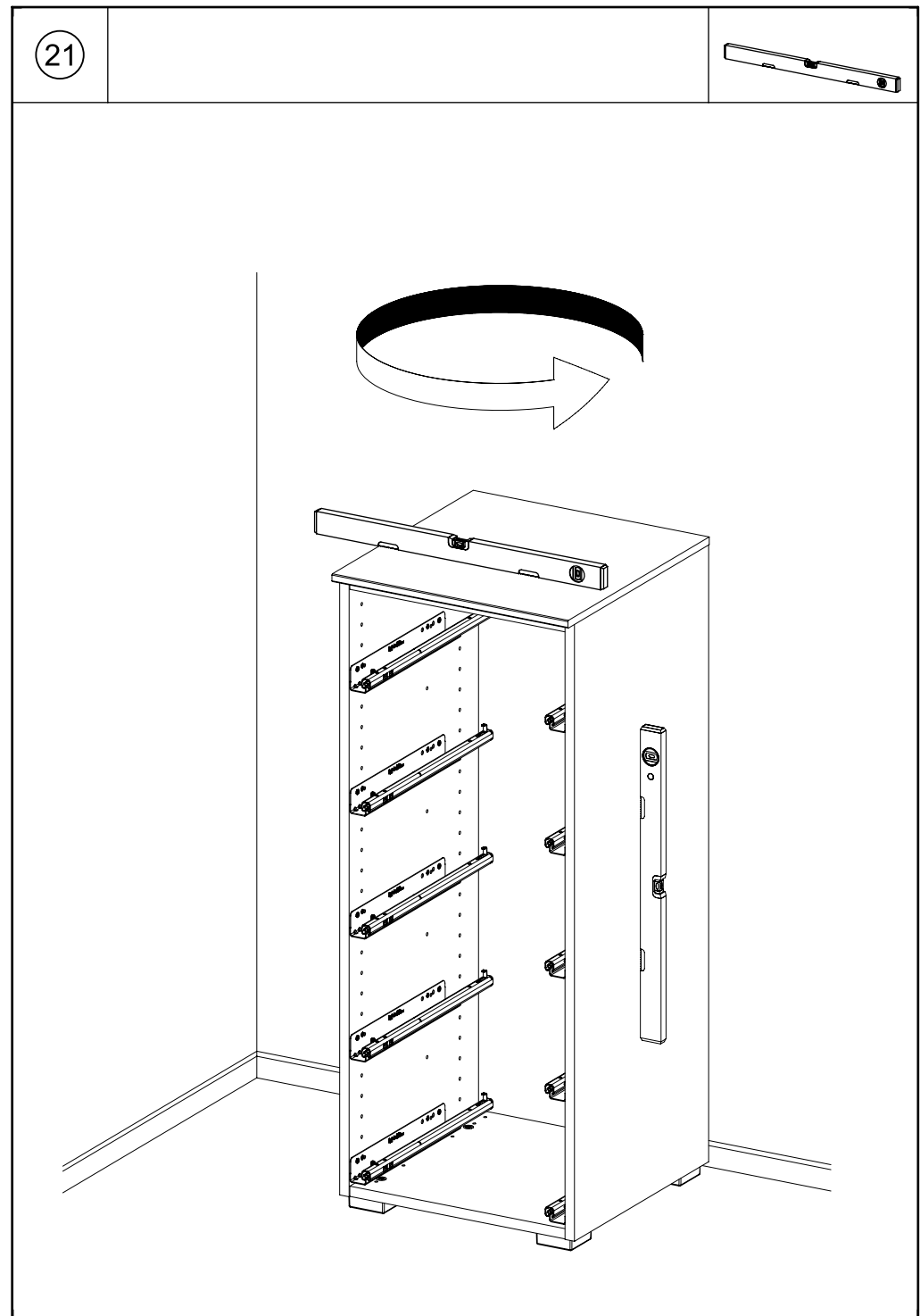
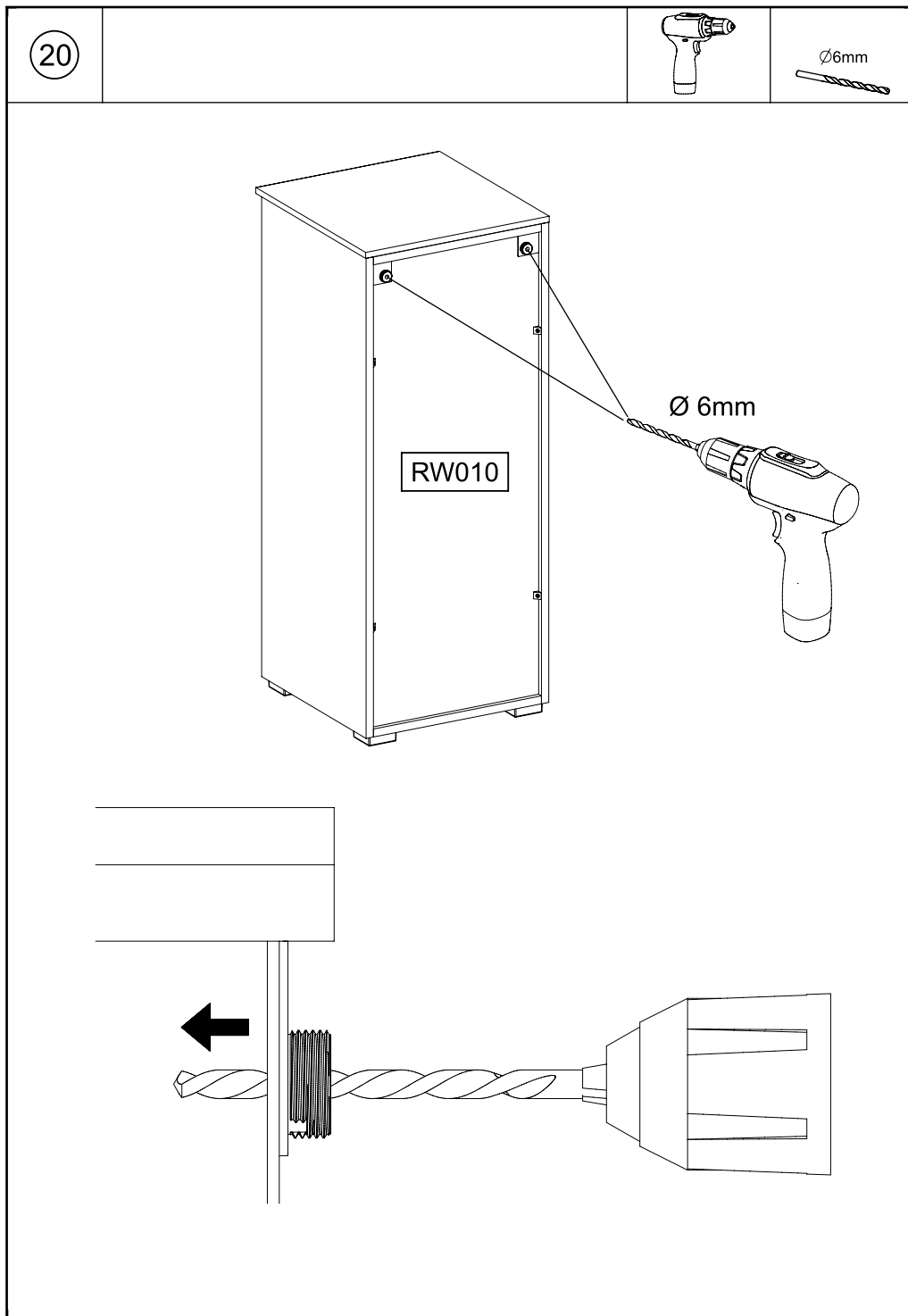
2x

1091



SCAN ME





22

2x

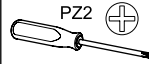
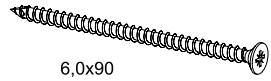
1093



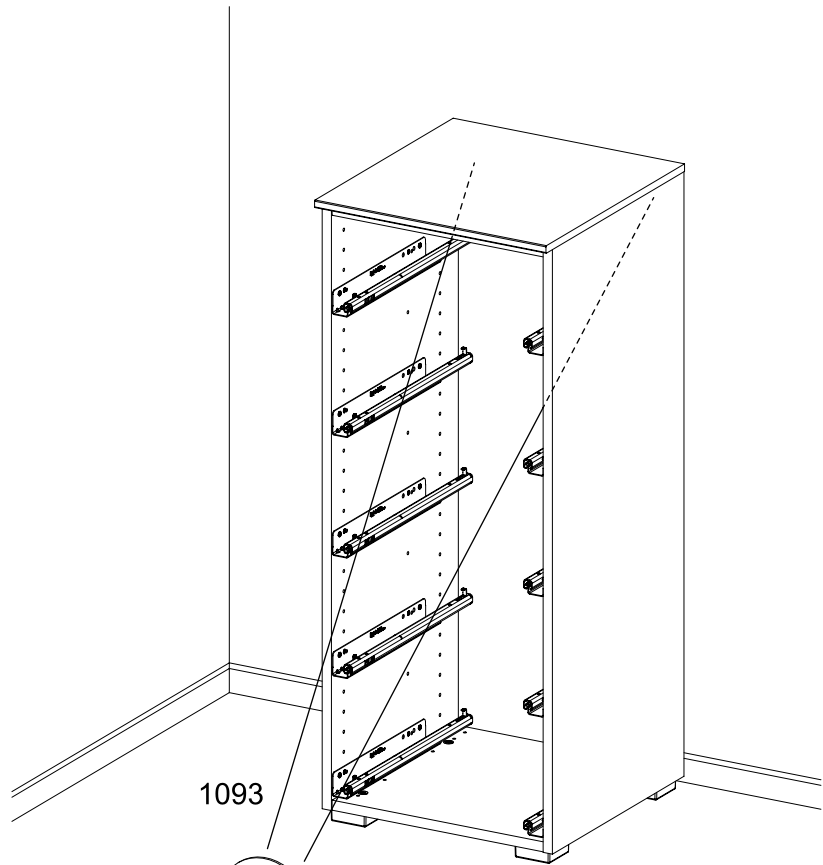
2x

1147

6,0x90

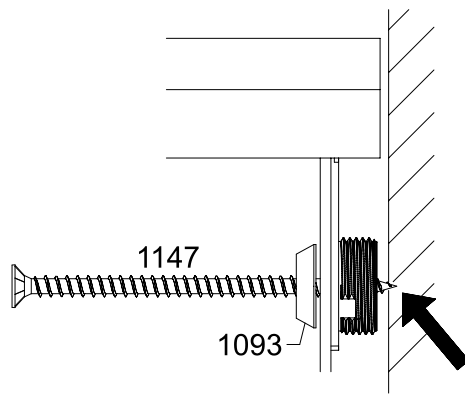
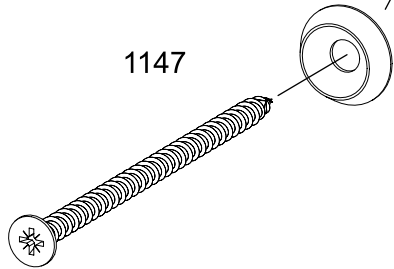


PZ2



1093

1147



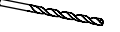
1147

1093

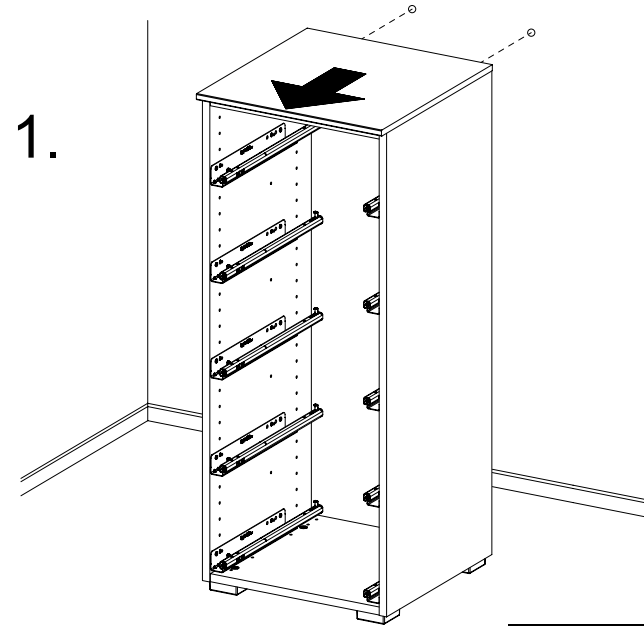
23



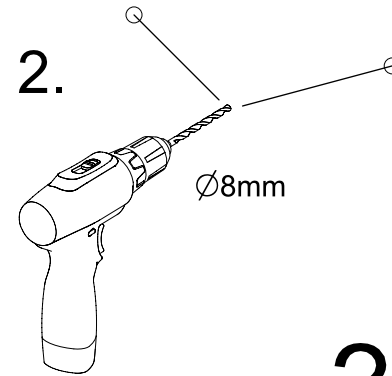
Ø8mm



1.



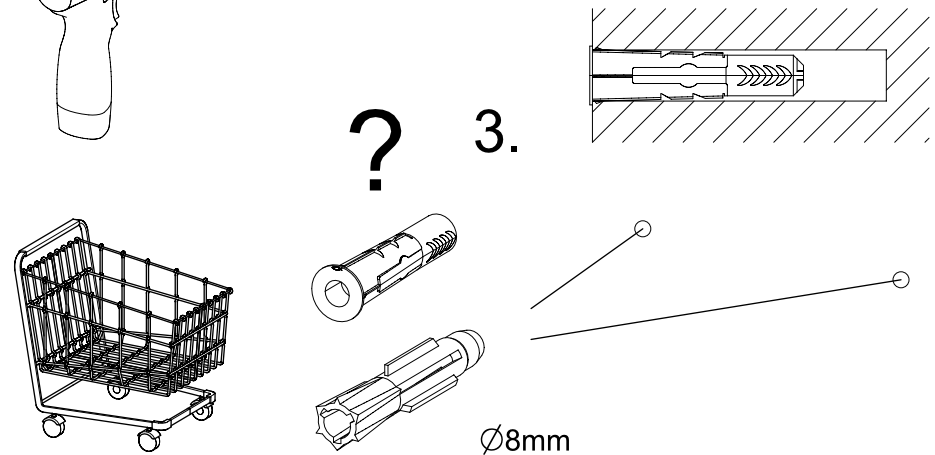
2.



Ø8mm

?

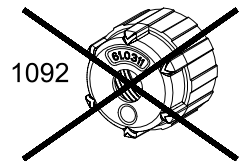
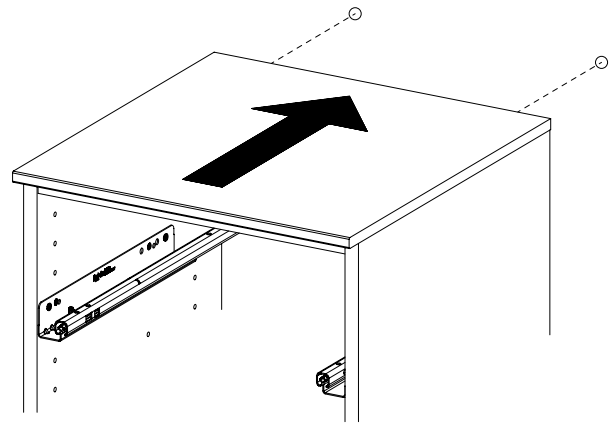
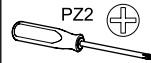
3.



Ø8mm

24

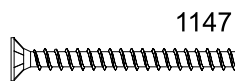
2x 1092



1092

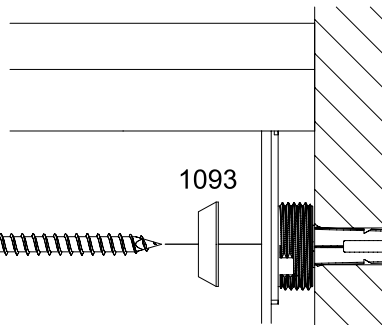


2.

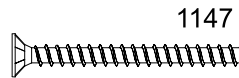


1147

1093



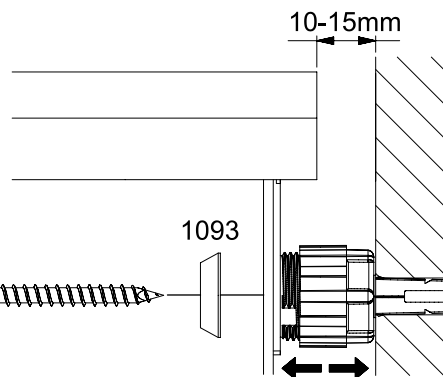
2.



1147

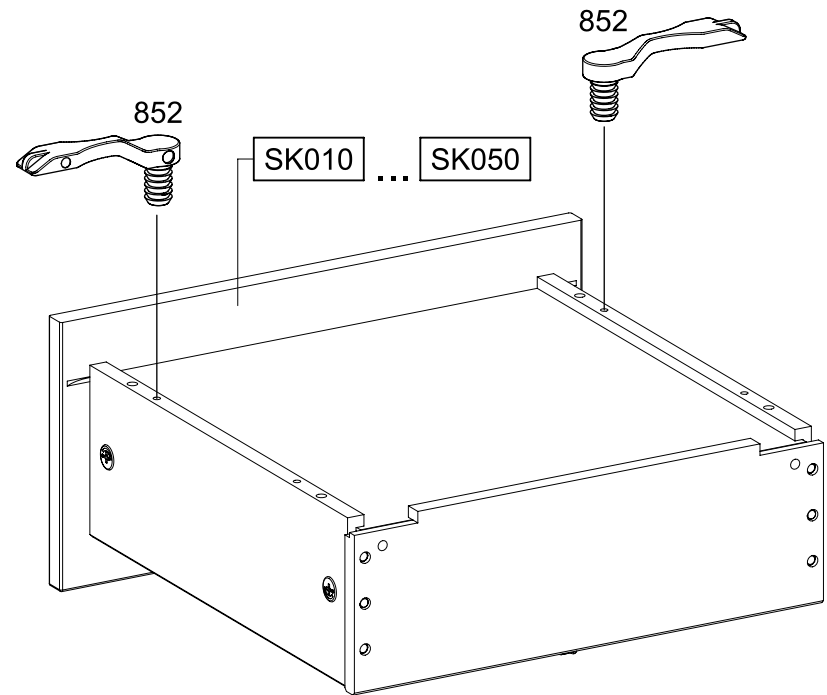
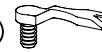
1093

10-15mm



25

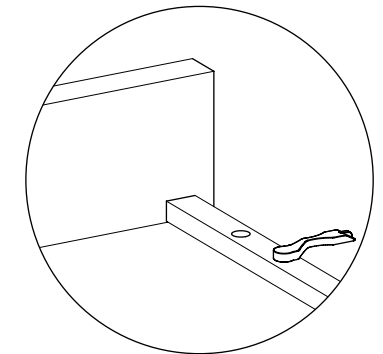
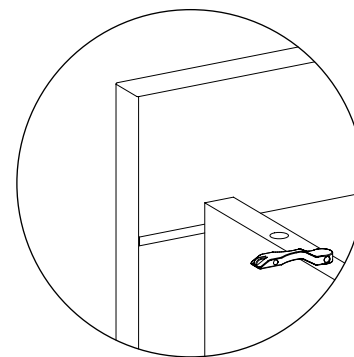
10x 852



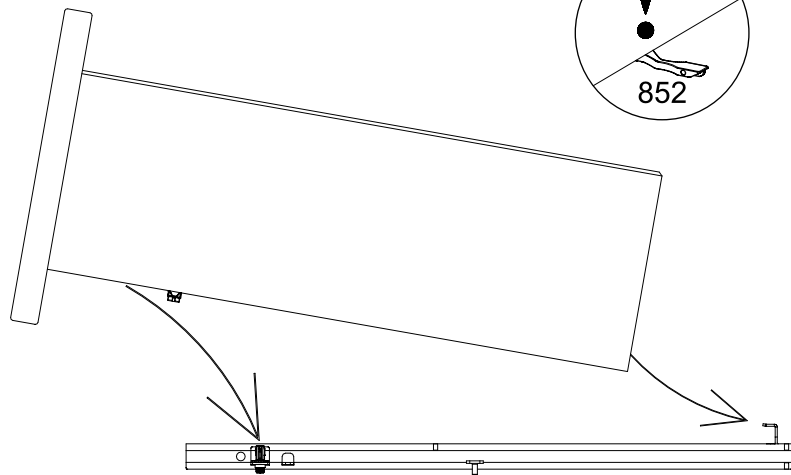
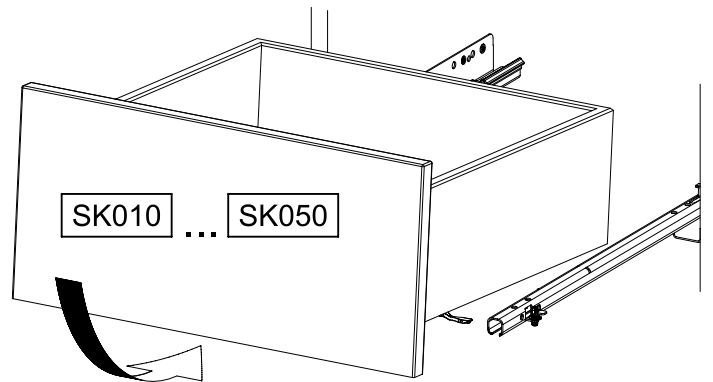
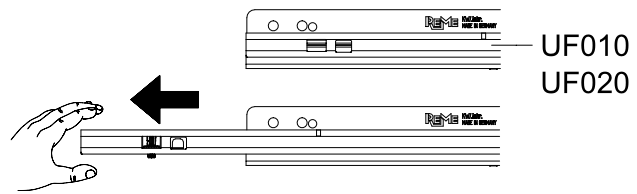
852

852

SK010 ... SK050



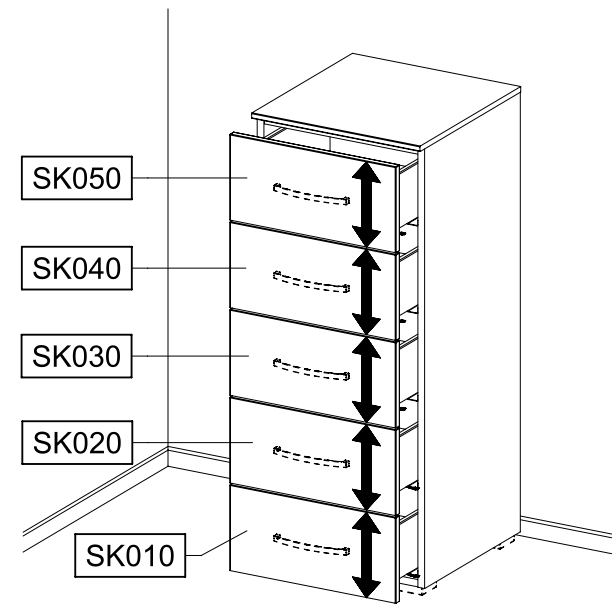
26



27



SCAN ME



SK010
SK020
SK030
SK040
SK050

