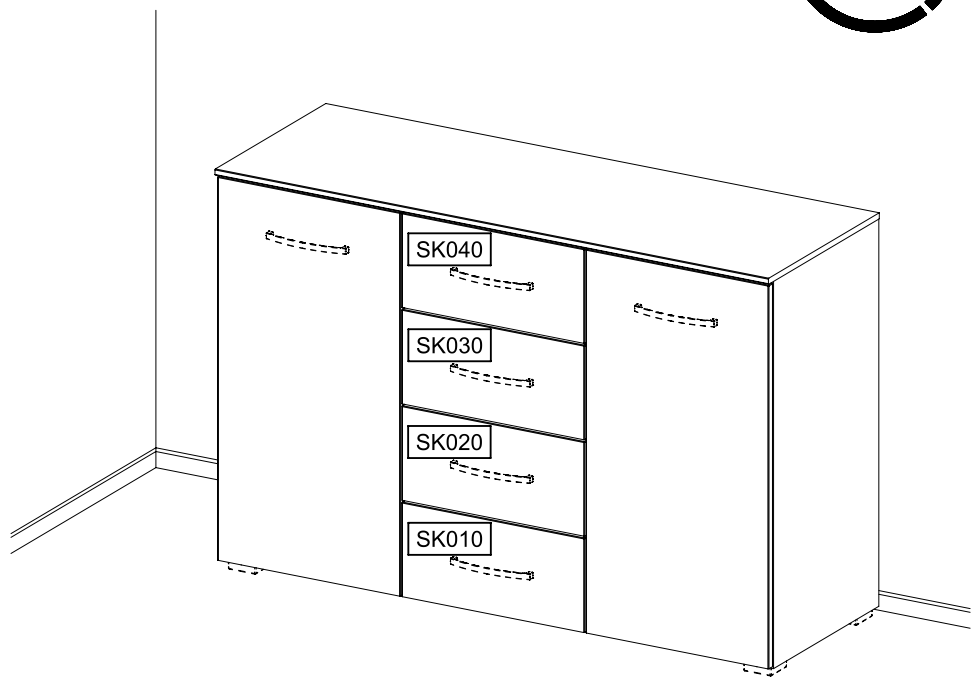
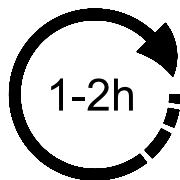
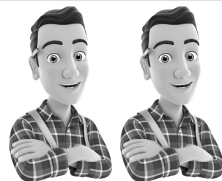
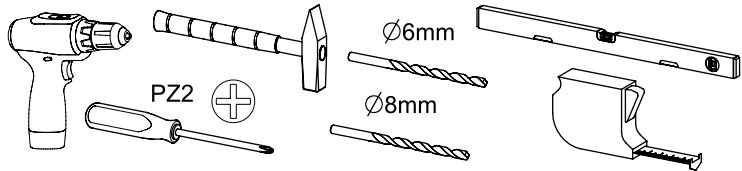
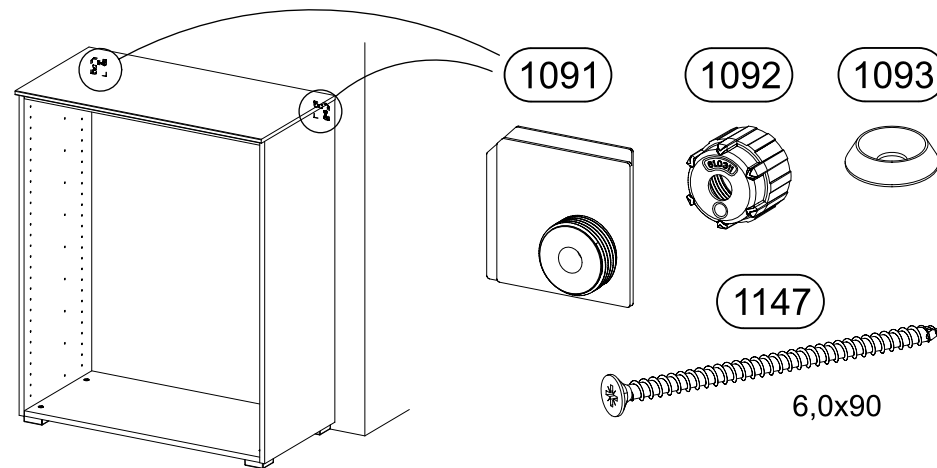
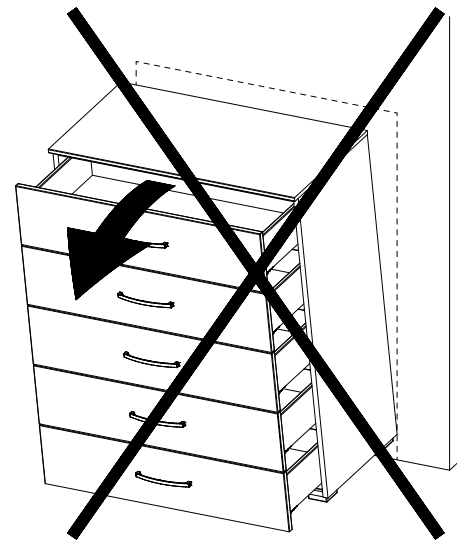


1.

M3100_01



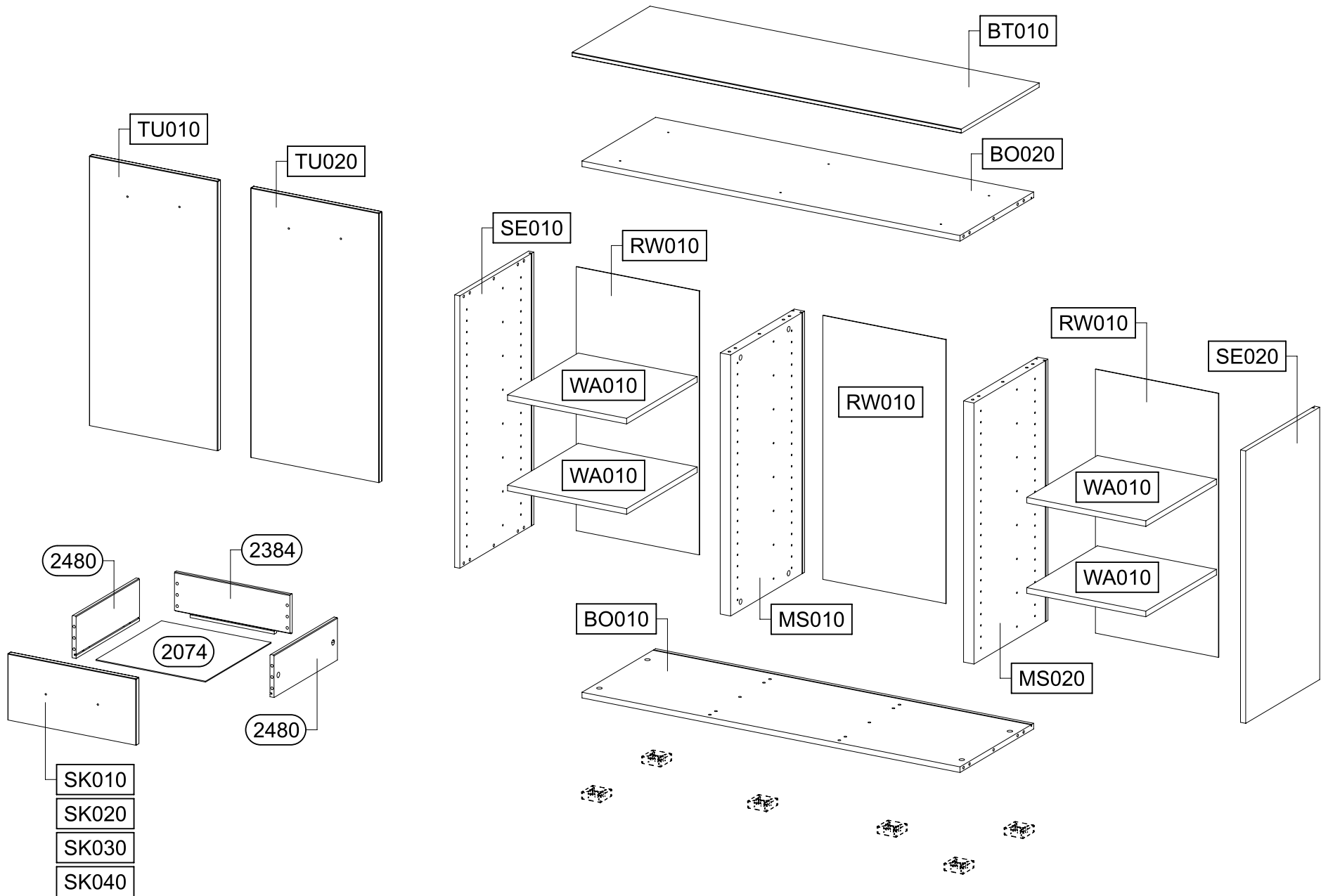
2.

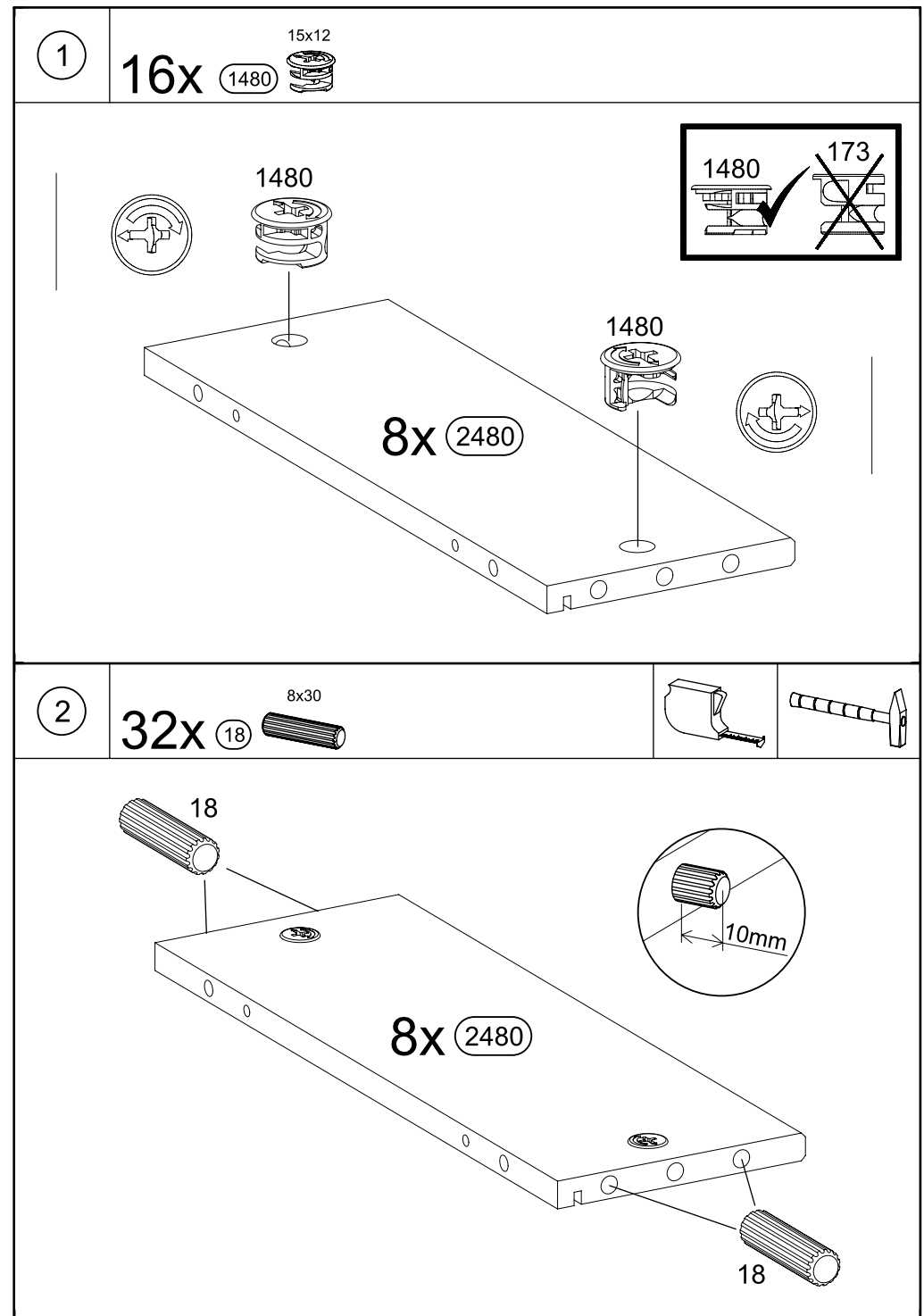
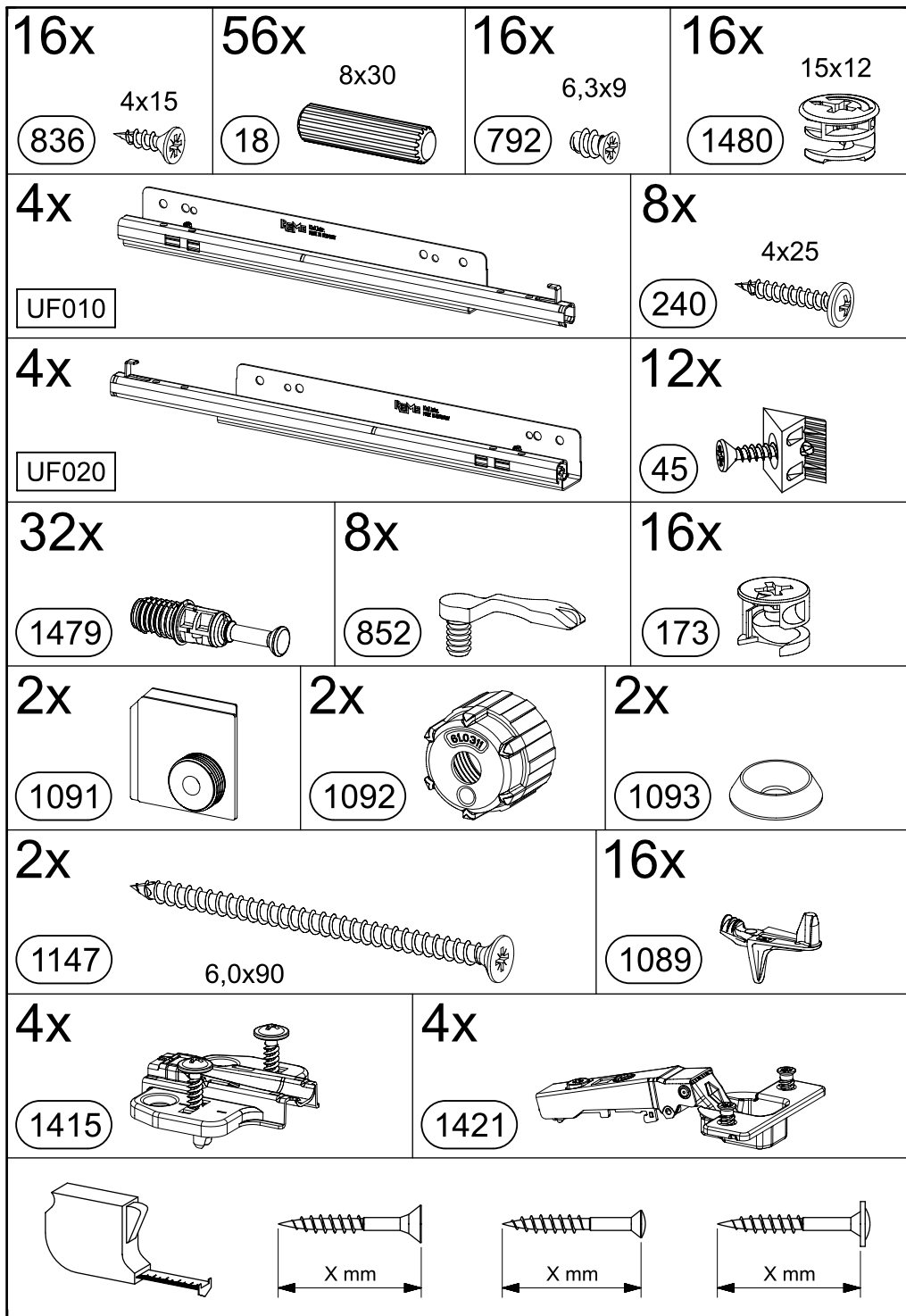


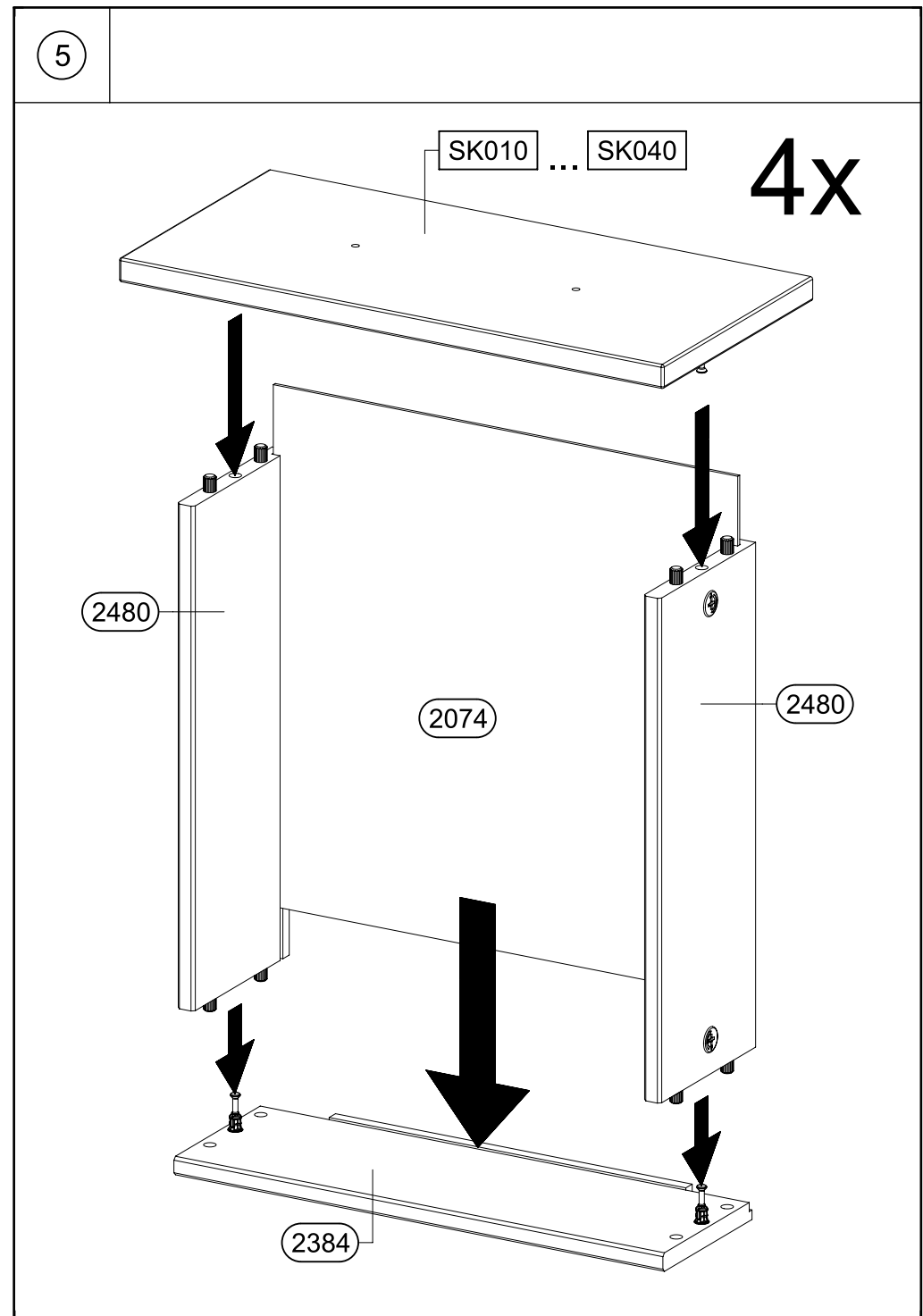
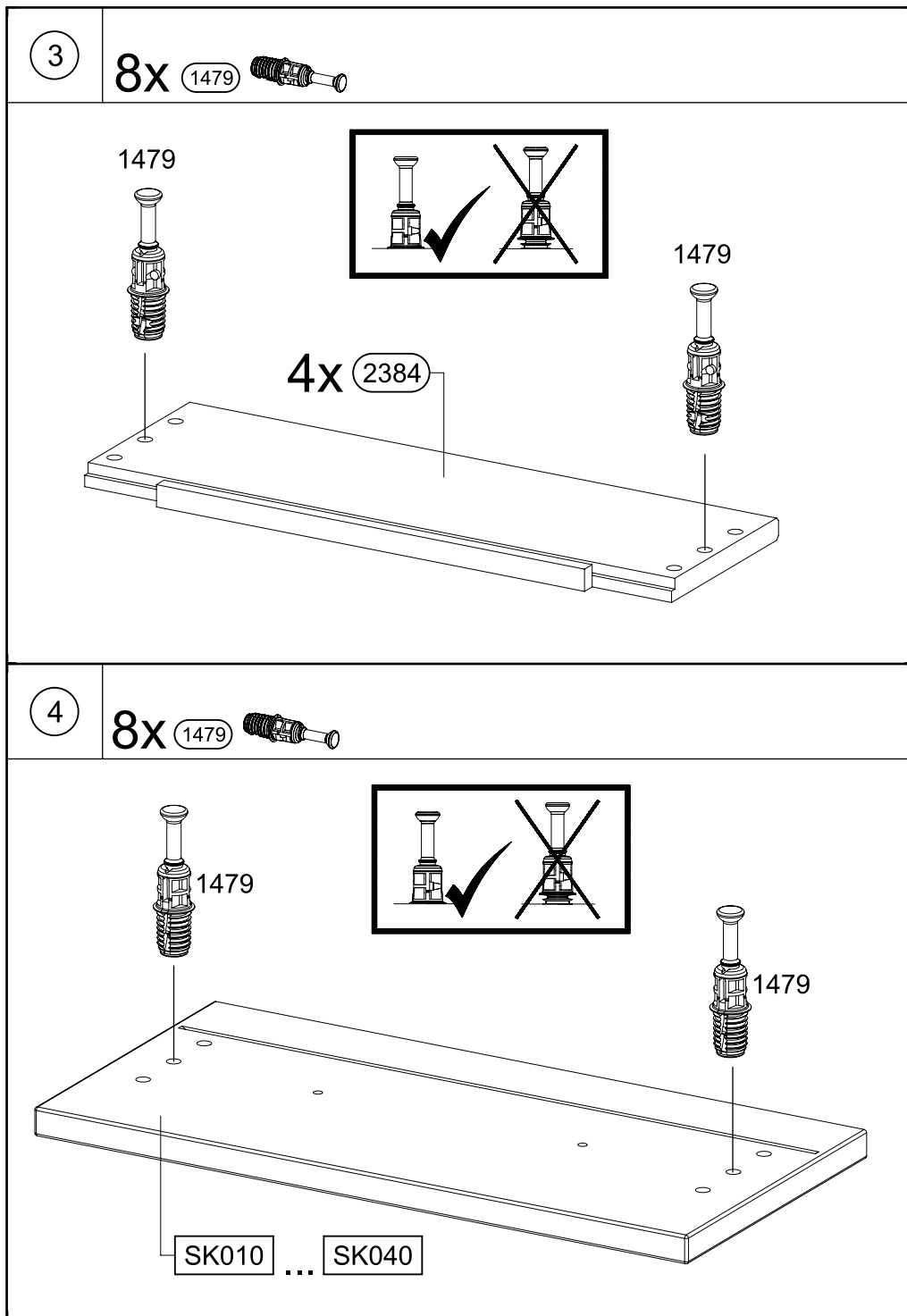
VIDEO

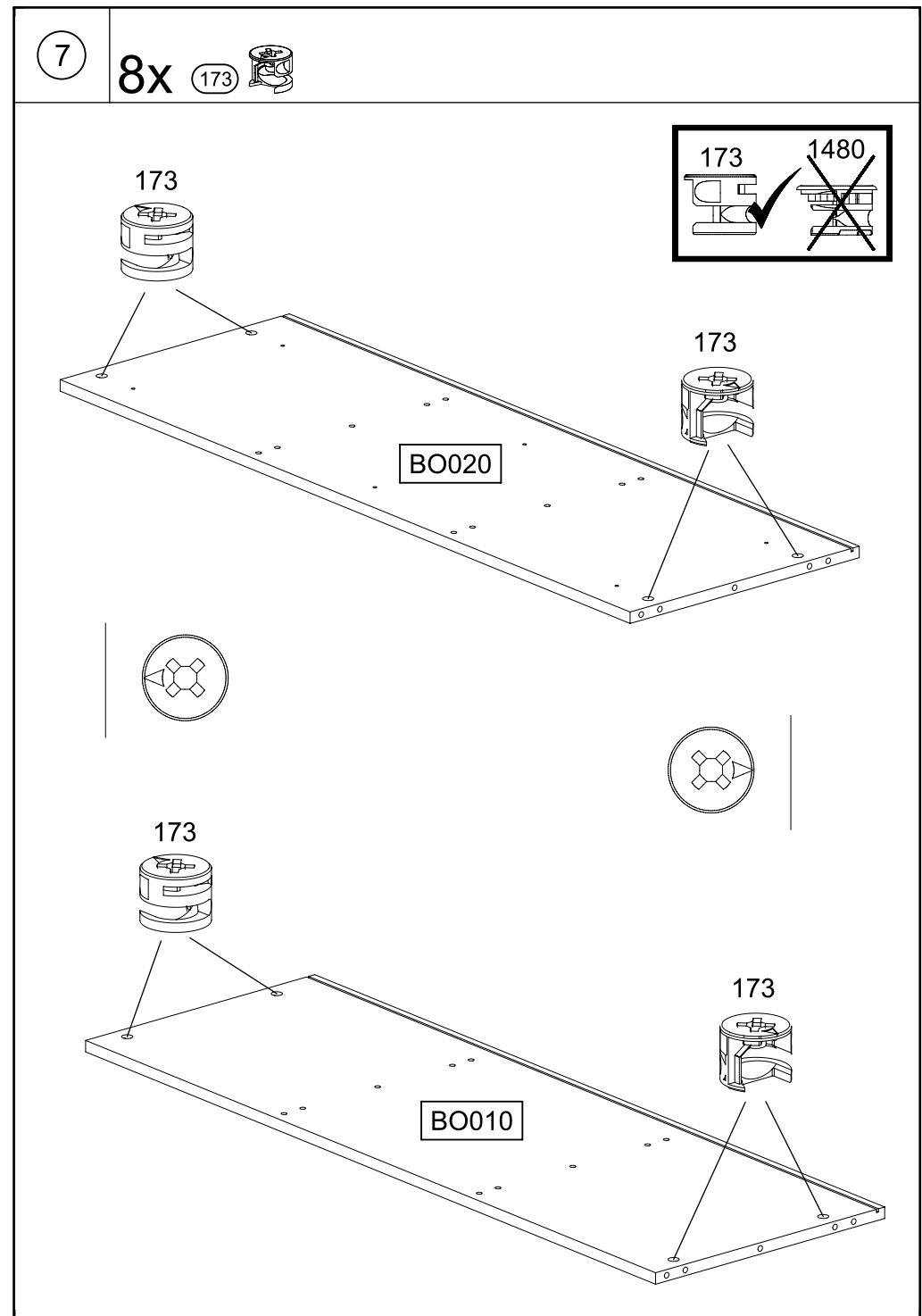
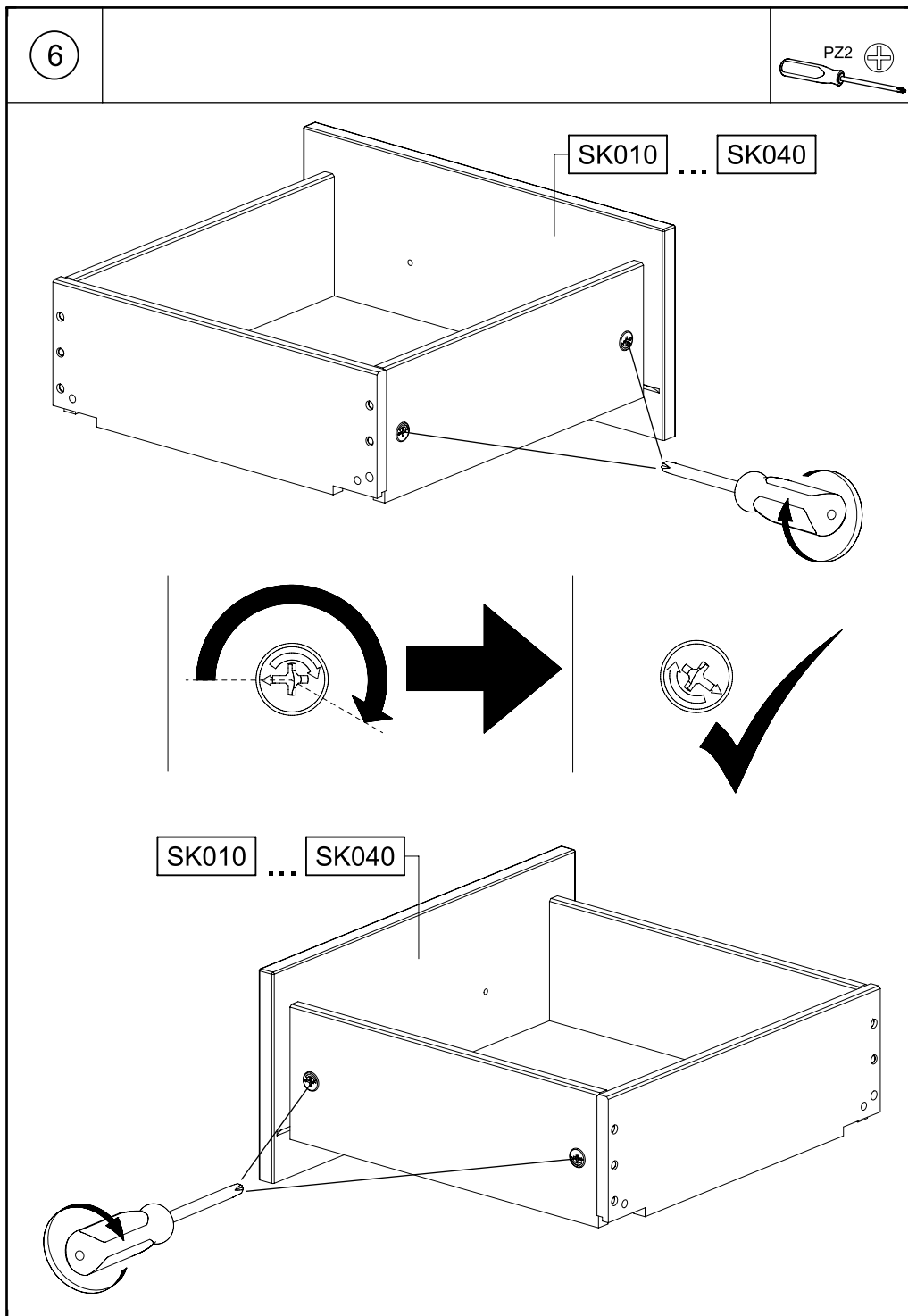


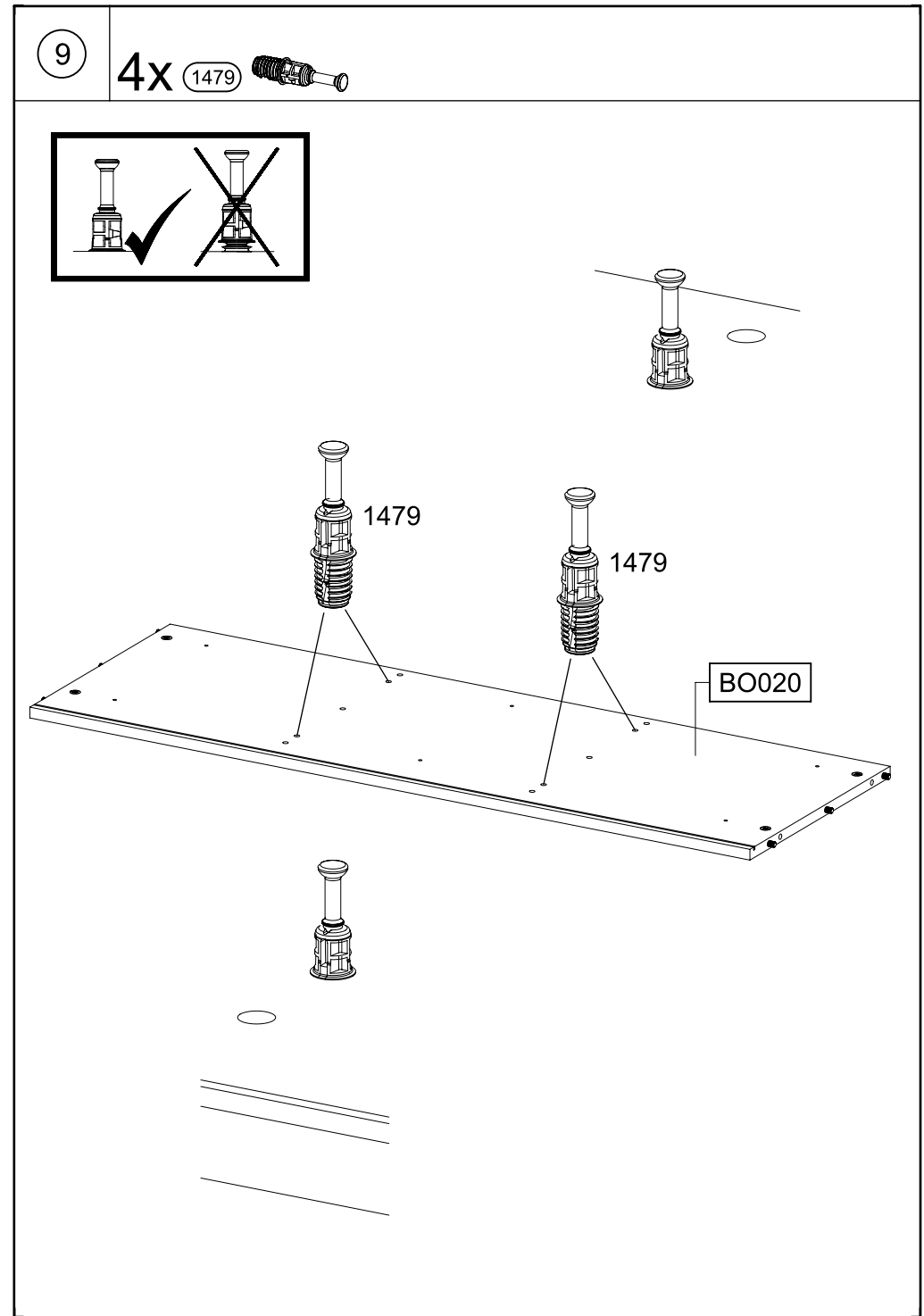
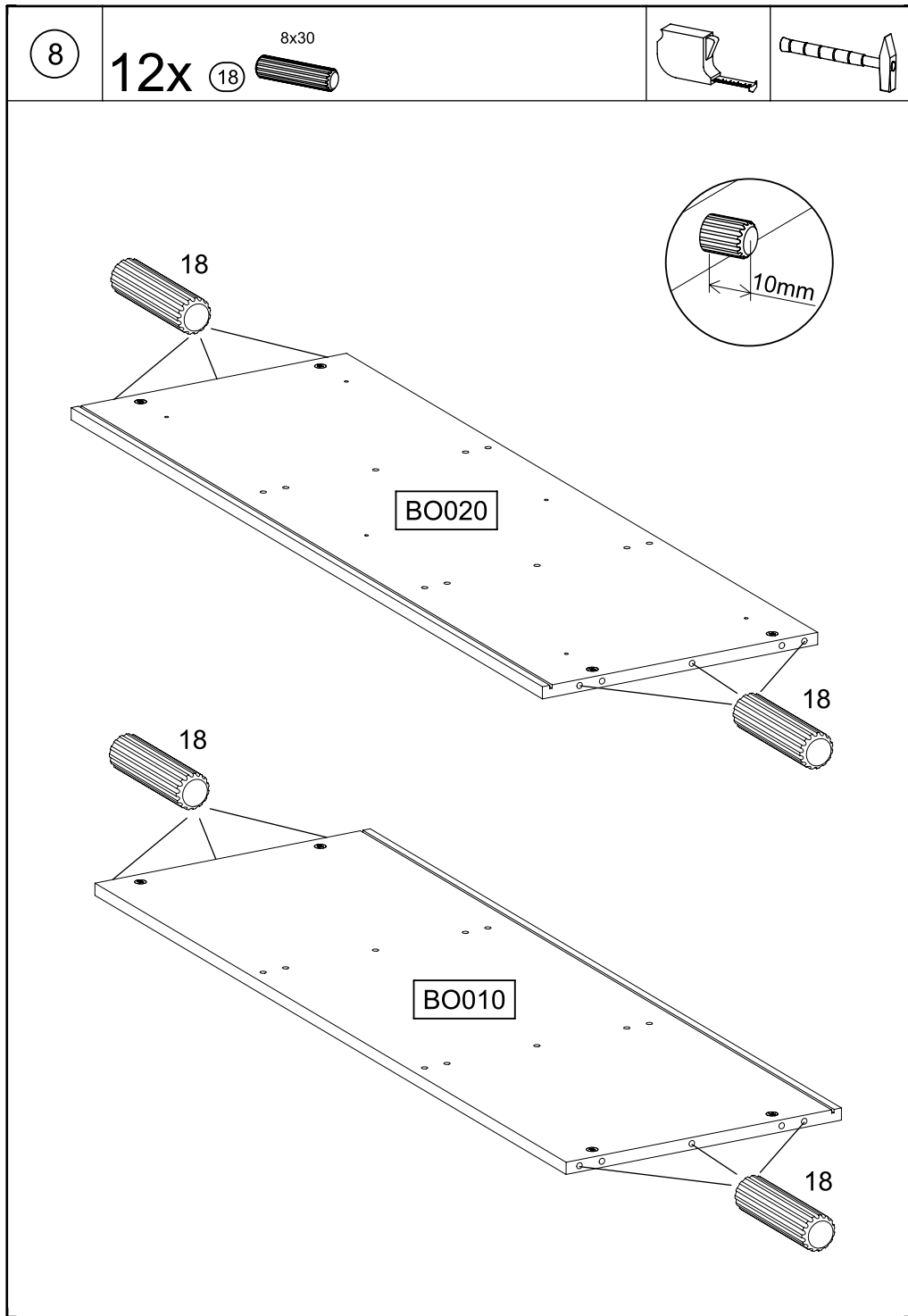
SCAN ME



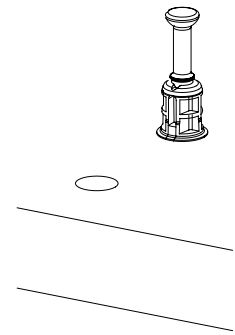
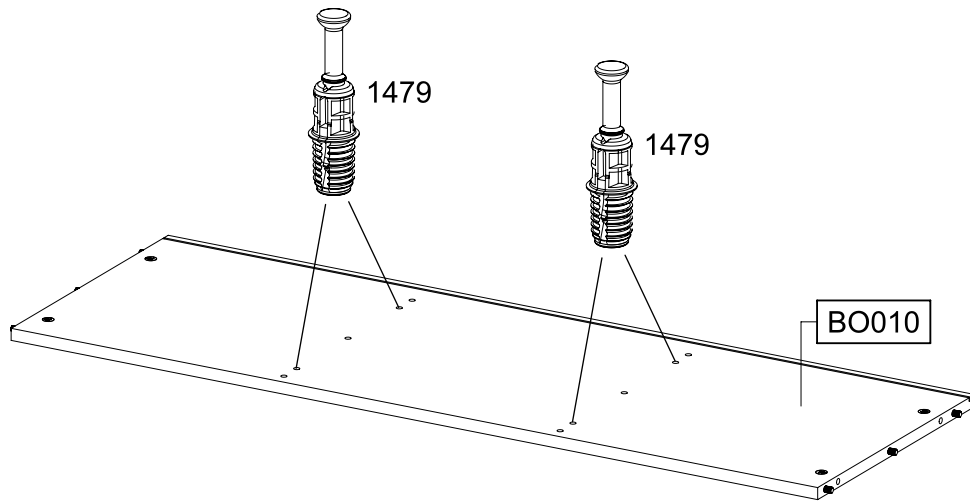
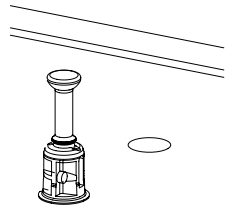
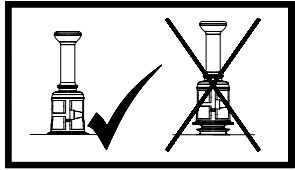





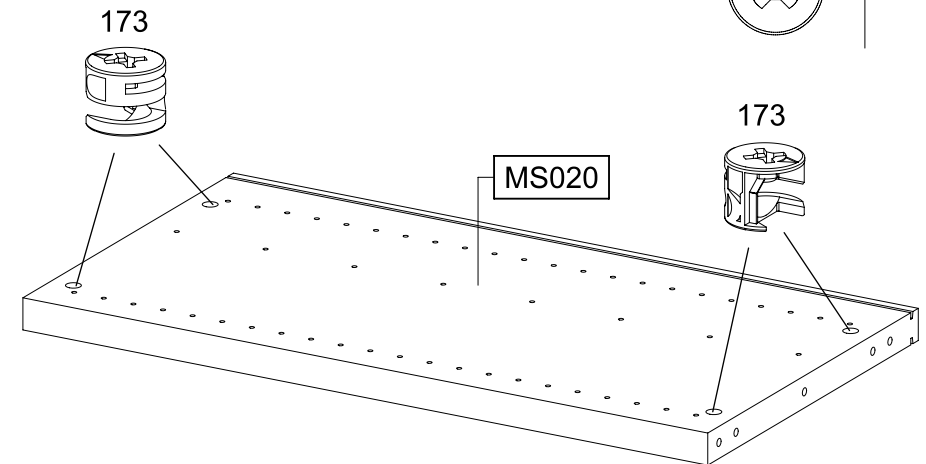
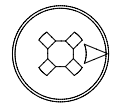
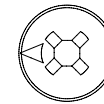
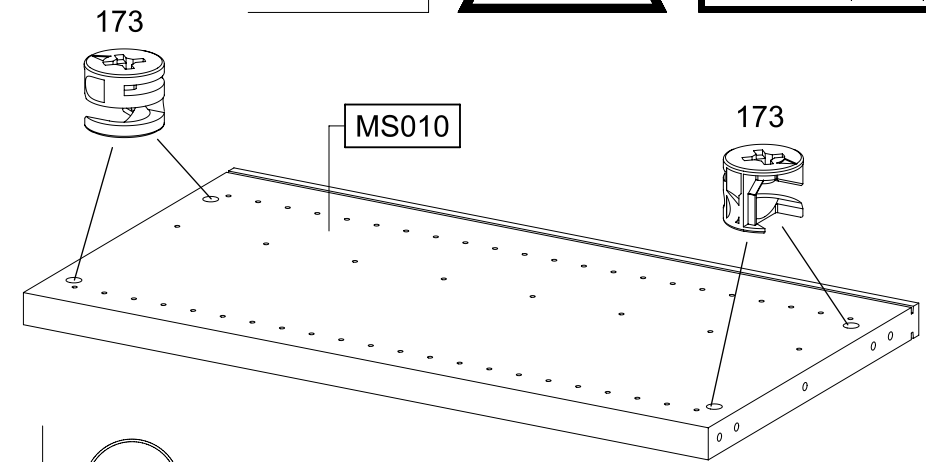
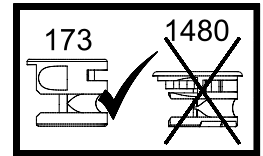
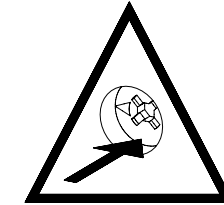
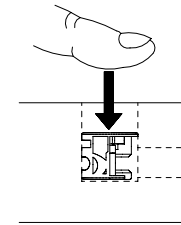



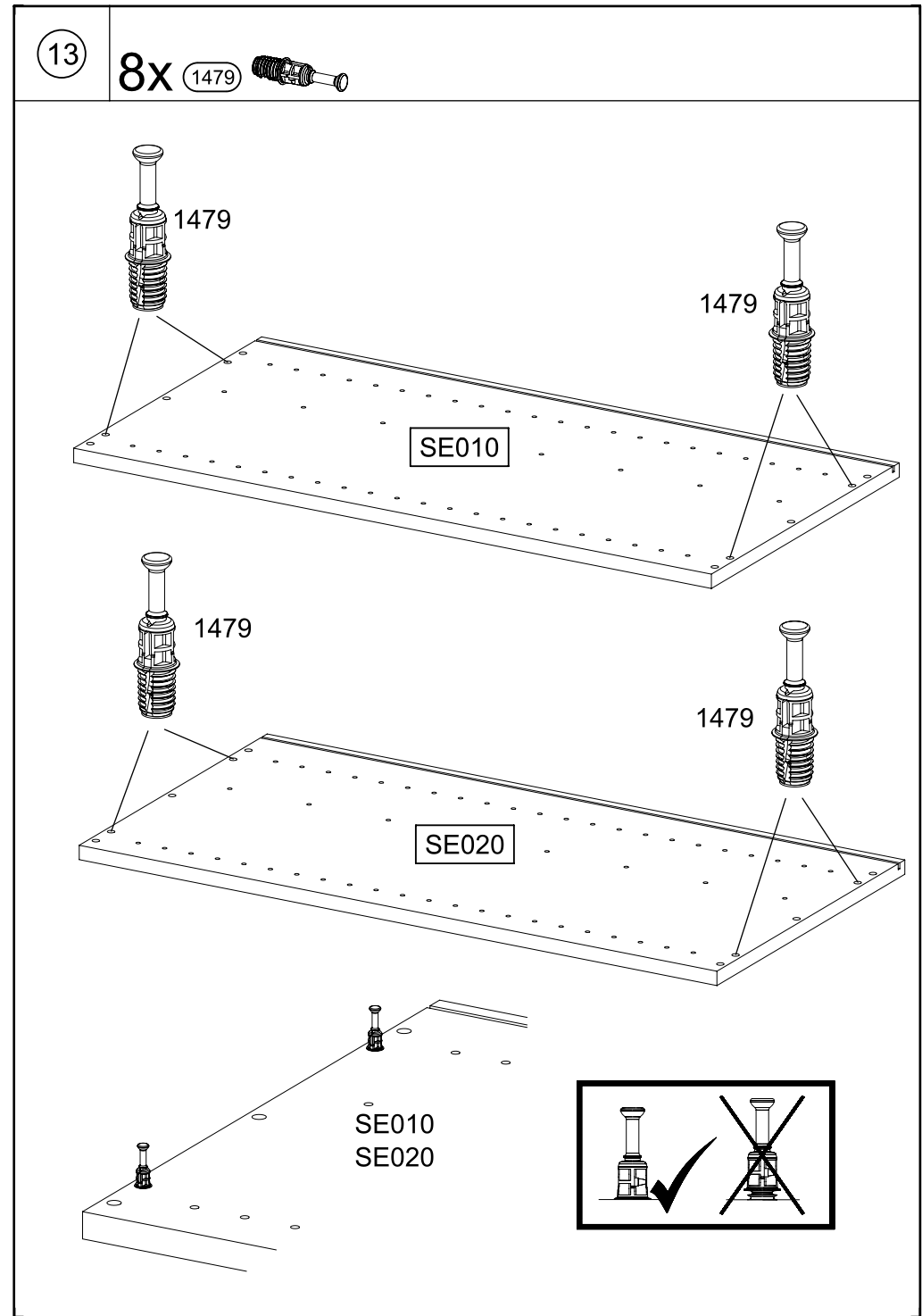
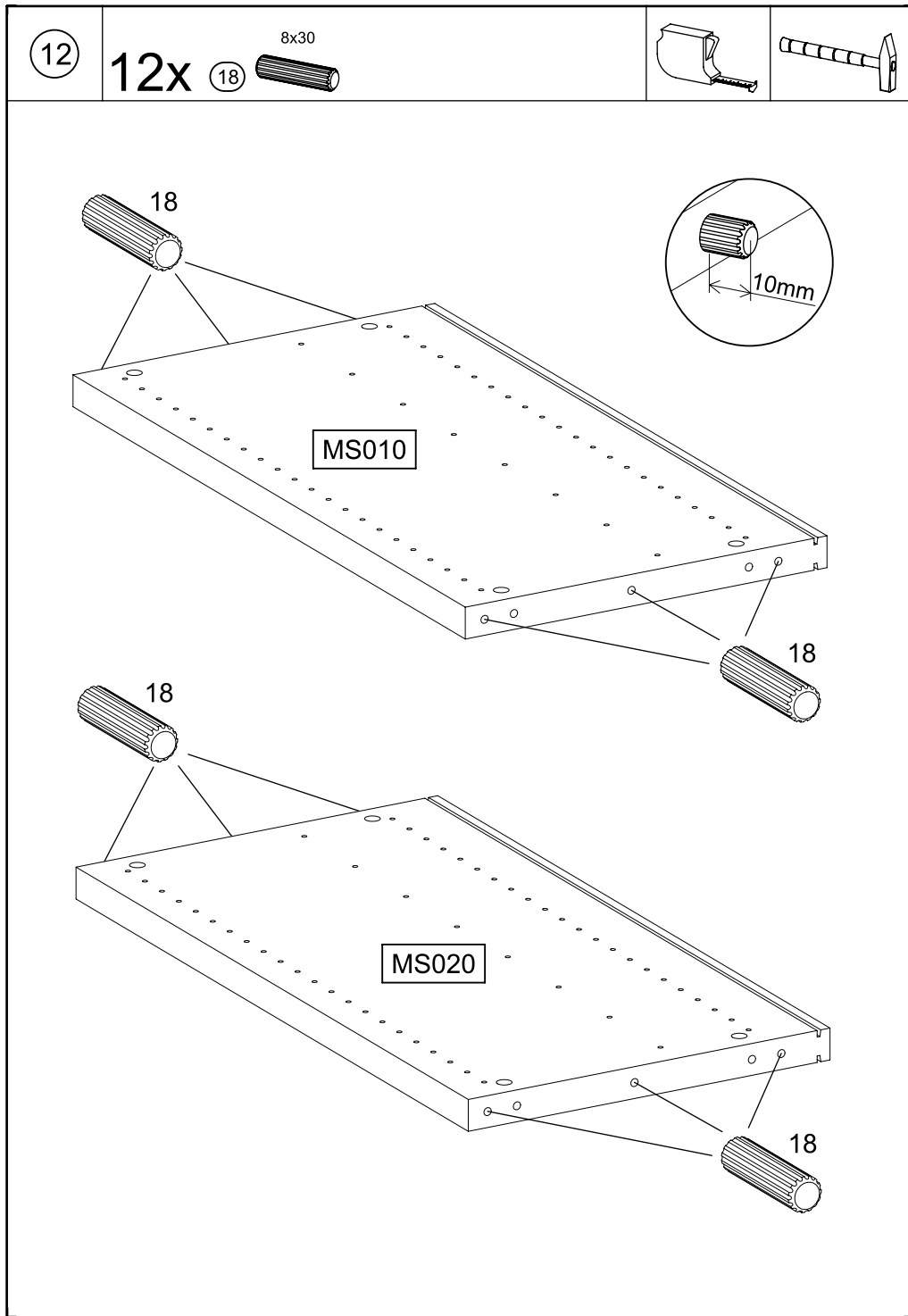


10

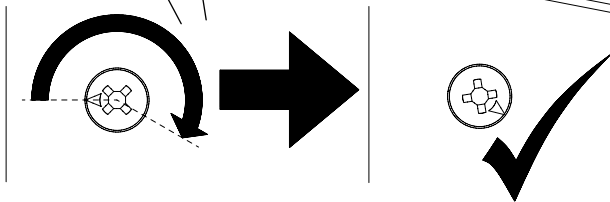
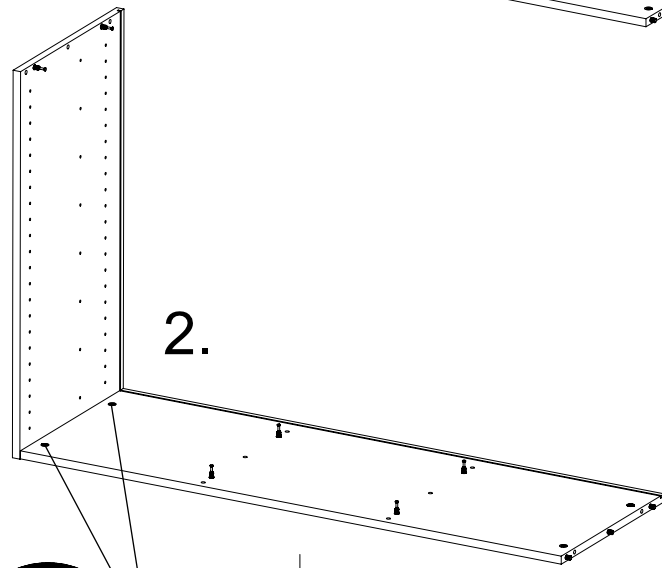
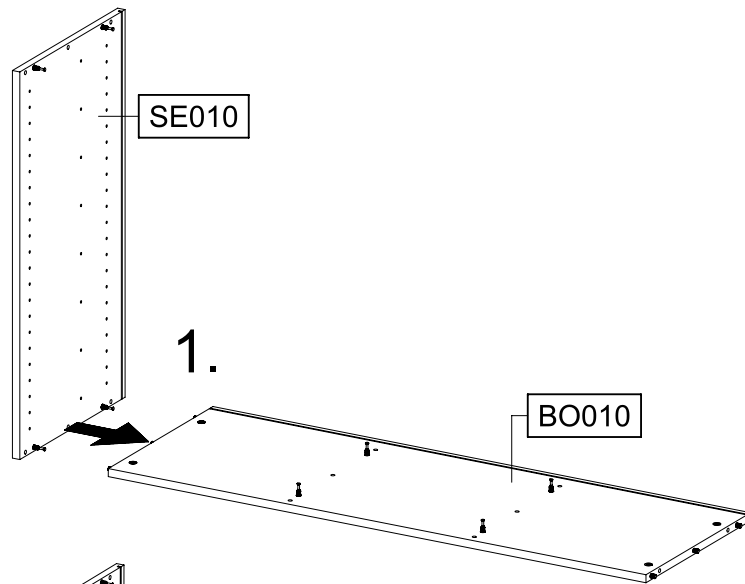
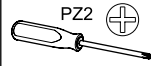
4x 1479 

11

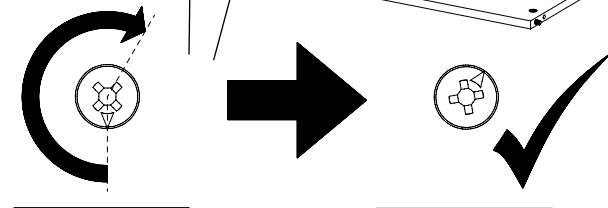
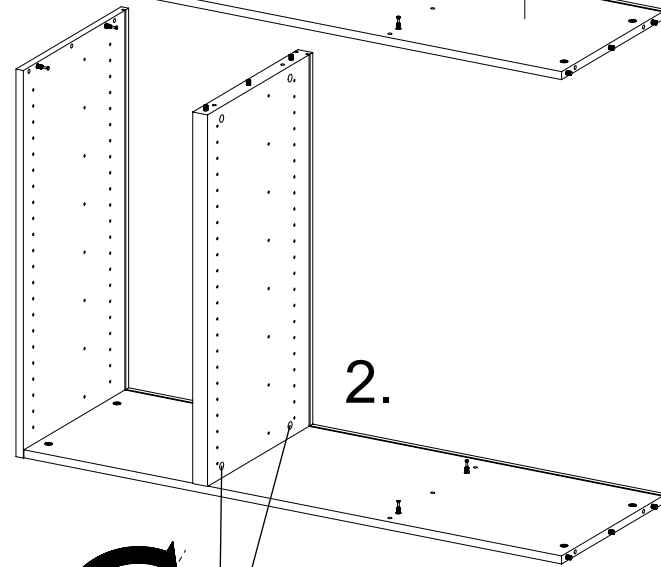
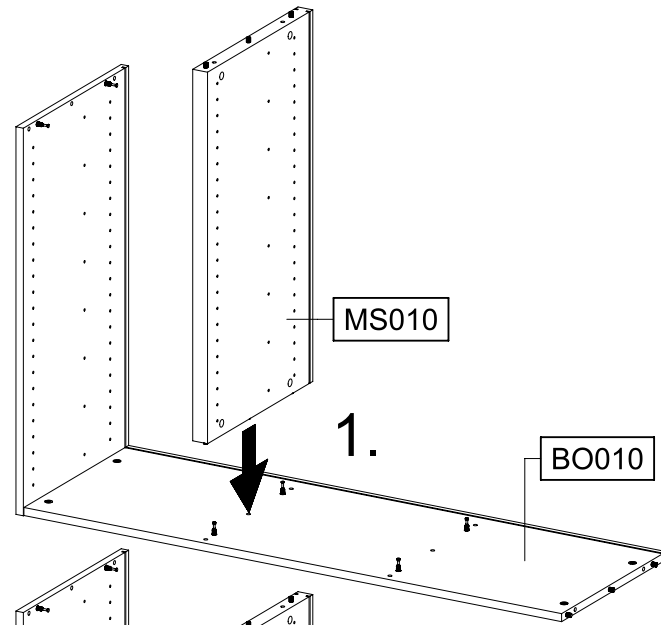
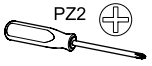
8x 173 



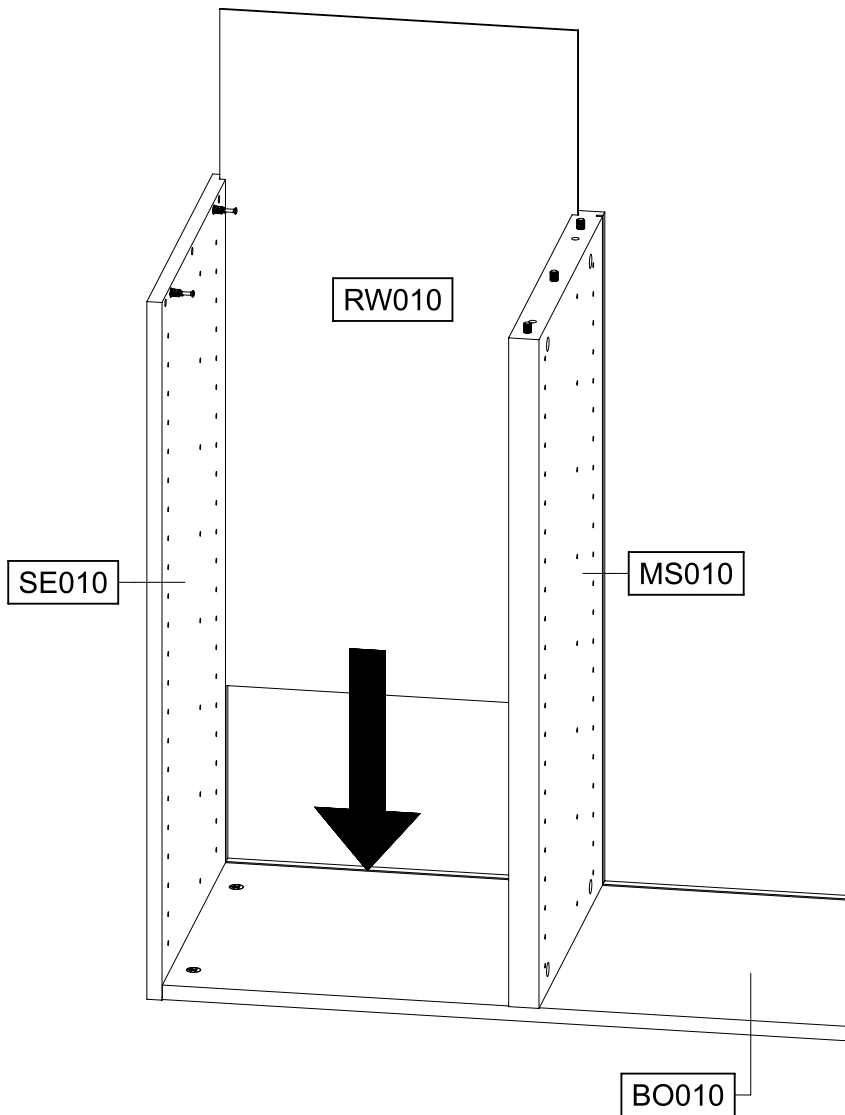
14



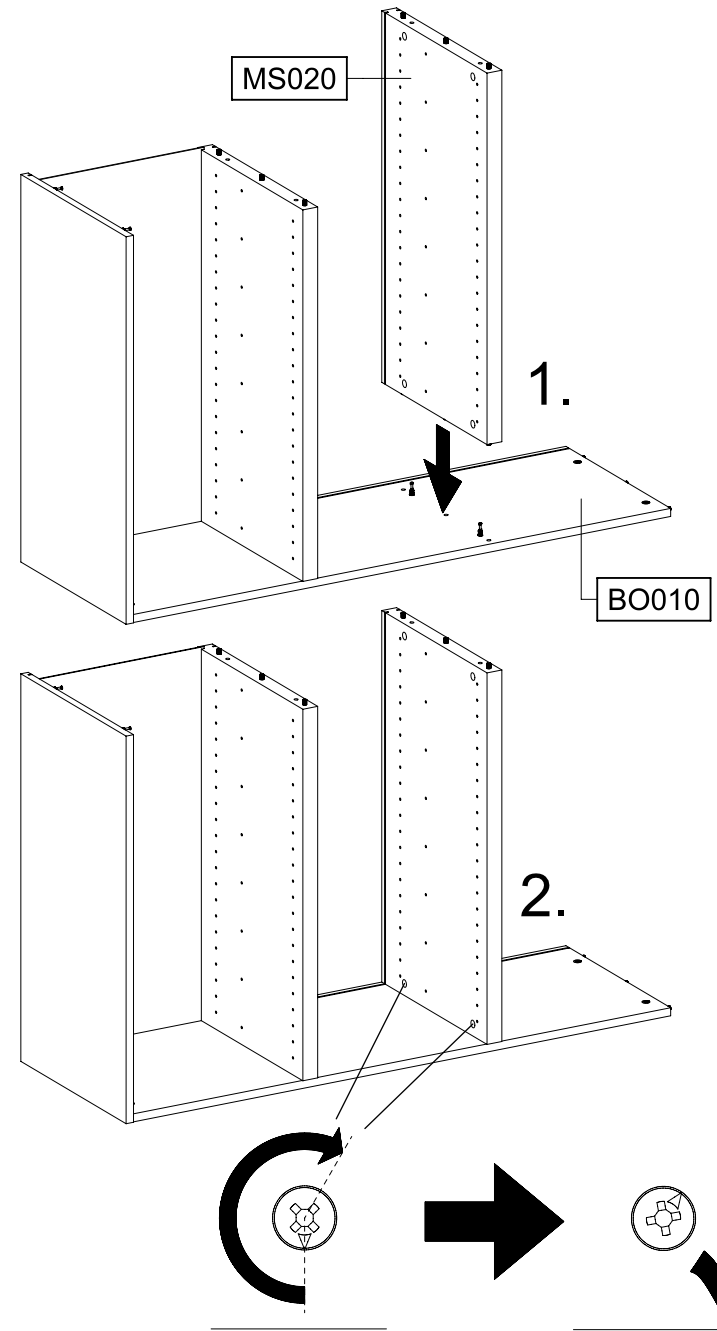
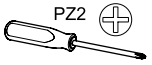
15



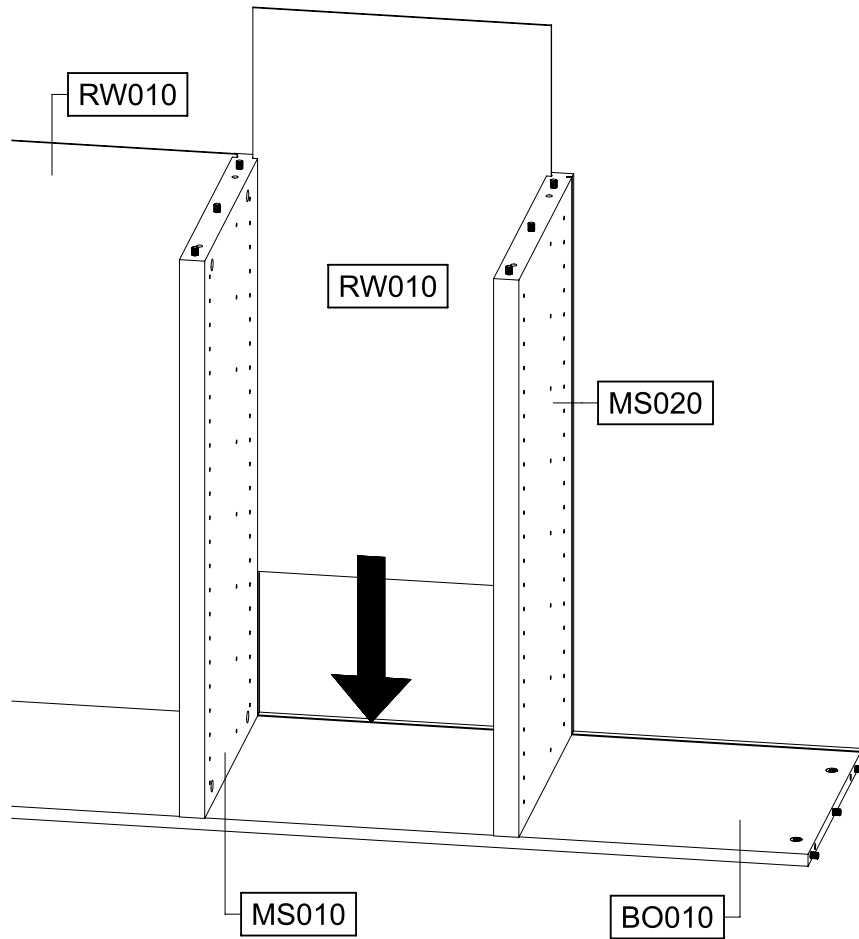
16



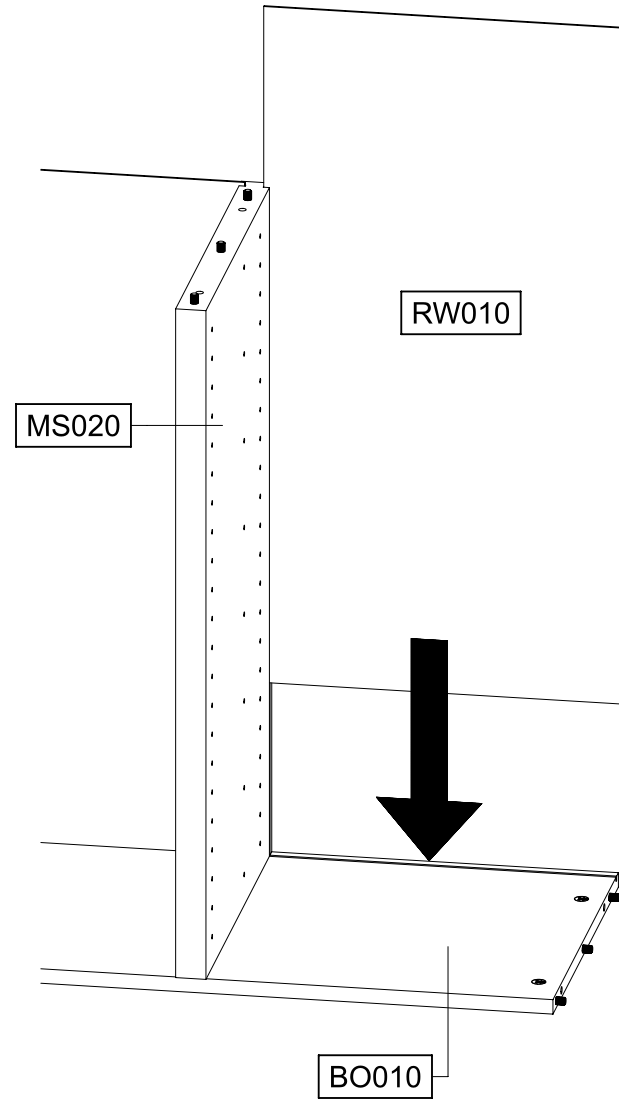
17



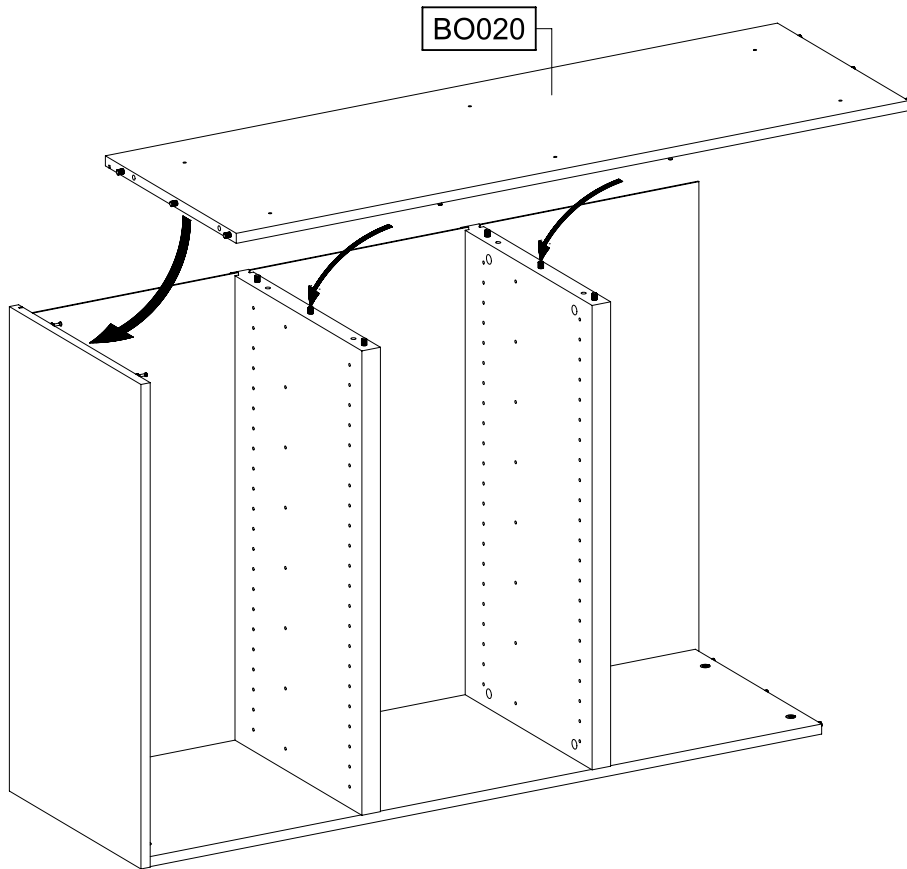
18



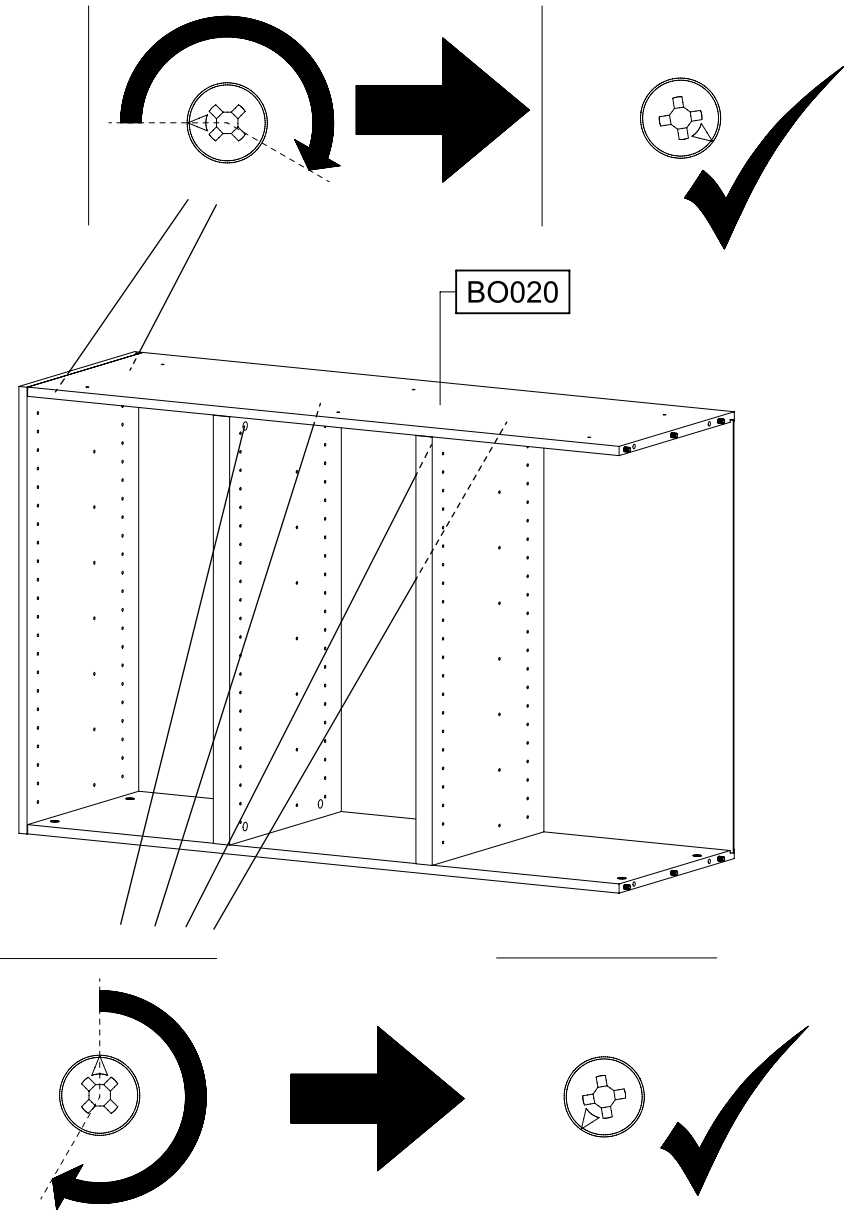
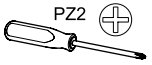
19



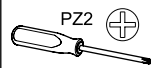
20



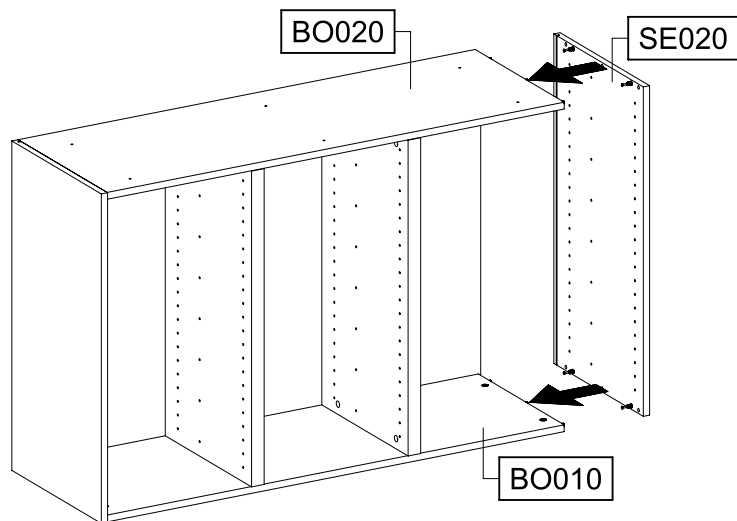
21



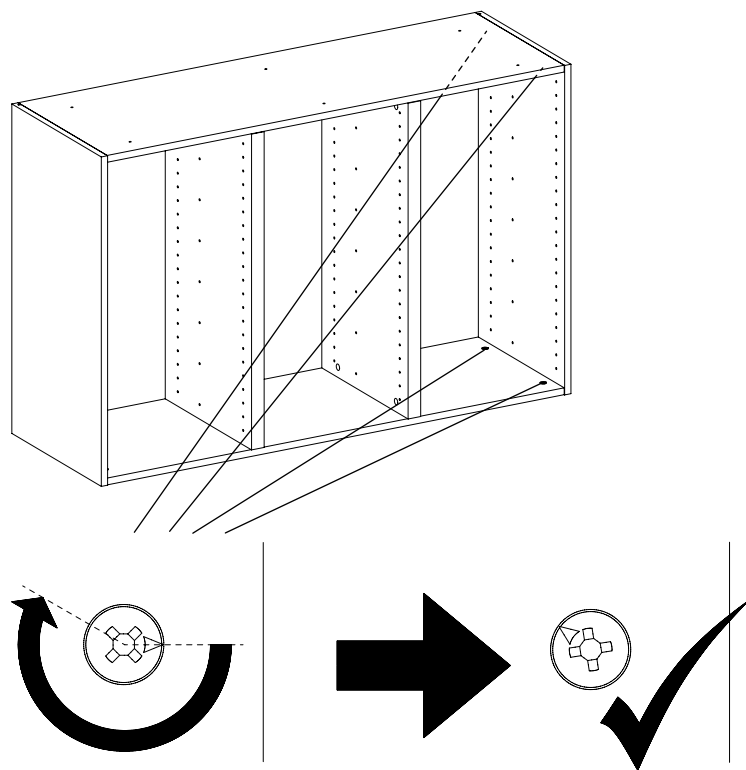
22



1.

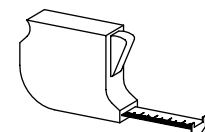
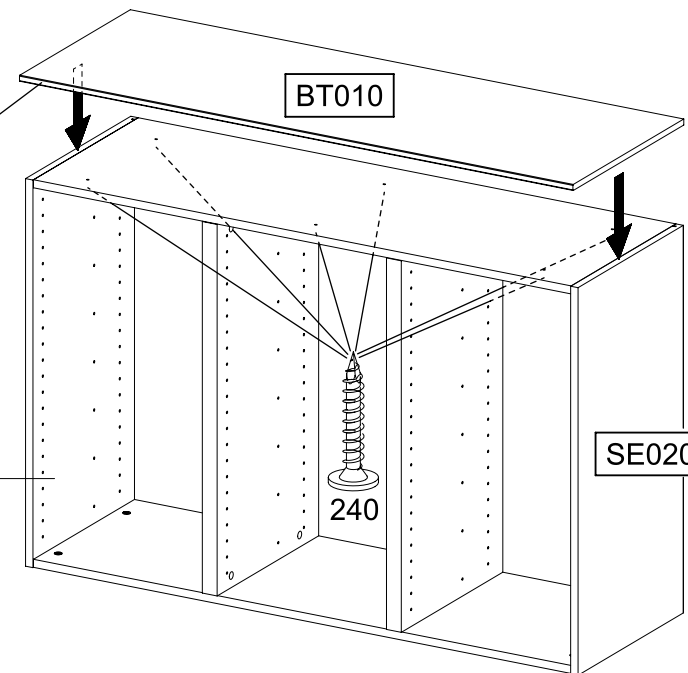
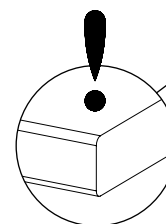
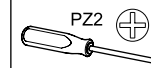
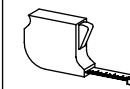


2.

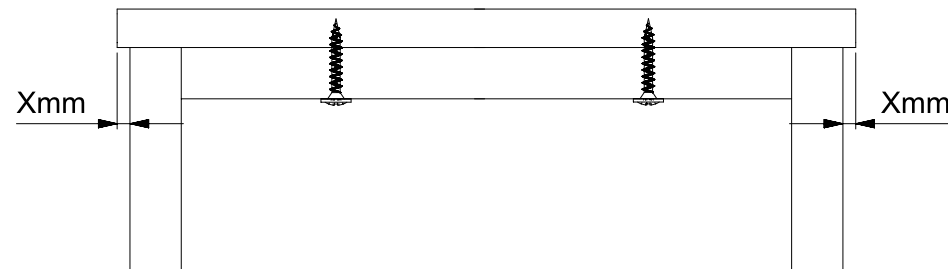
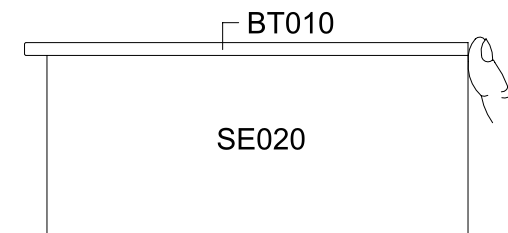


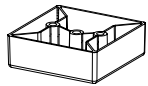
23

8x 240

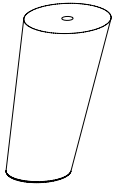


Xmm=Xmm

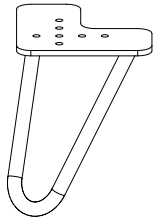




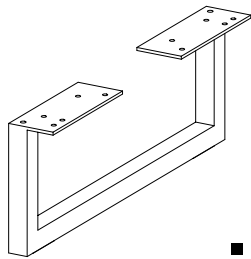
1207



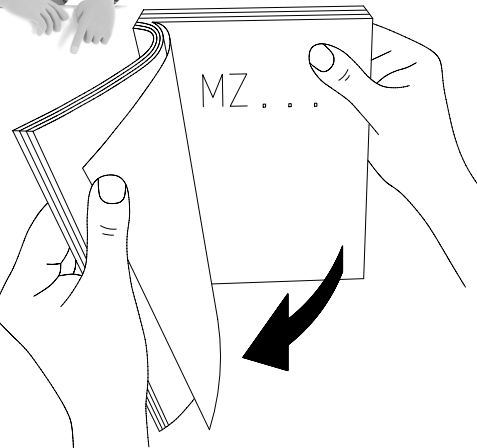
1481



1345

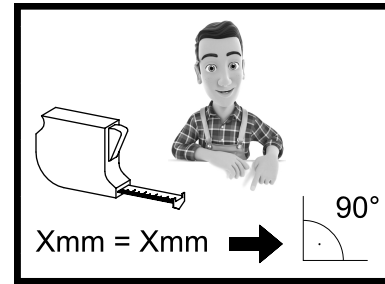
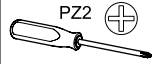
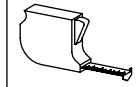


1348

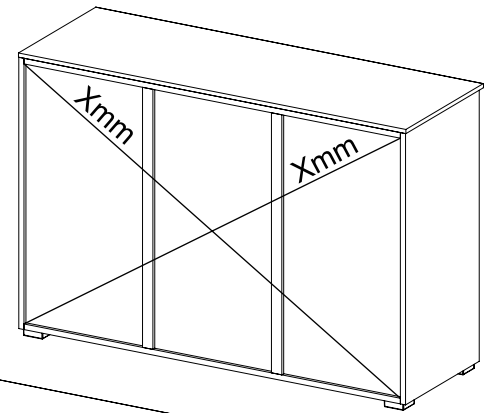


24

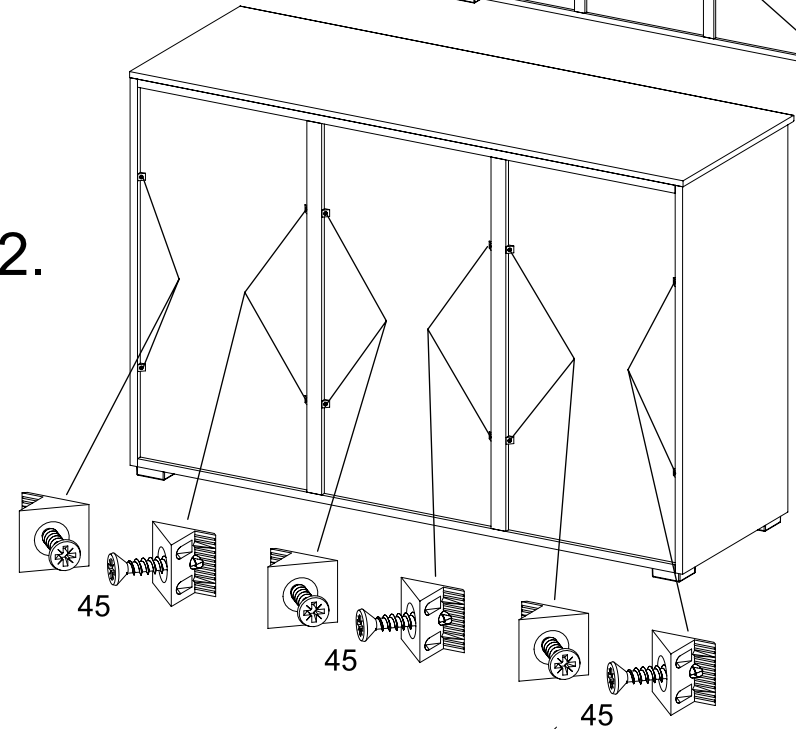
12x 45 



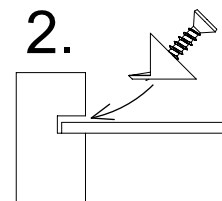
1.



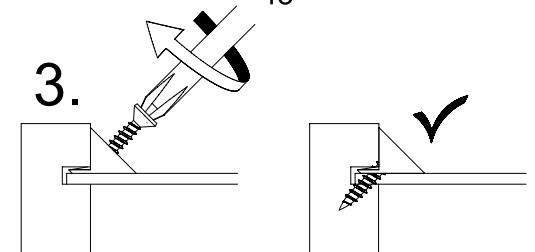
2.



2.



3.



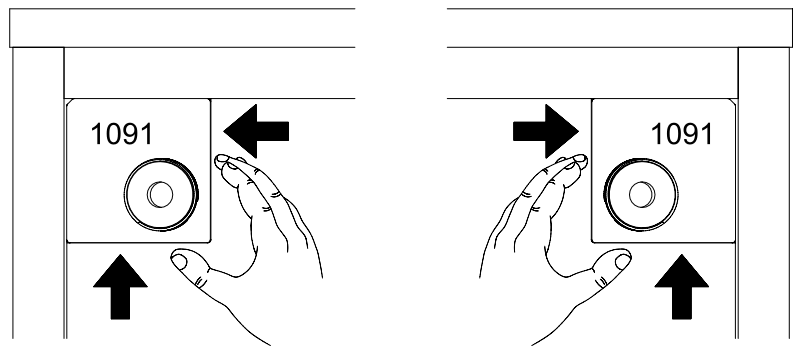
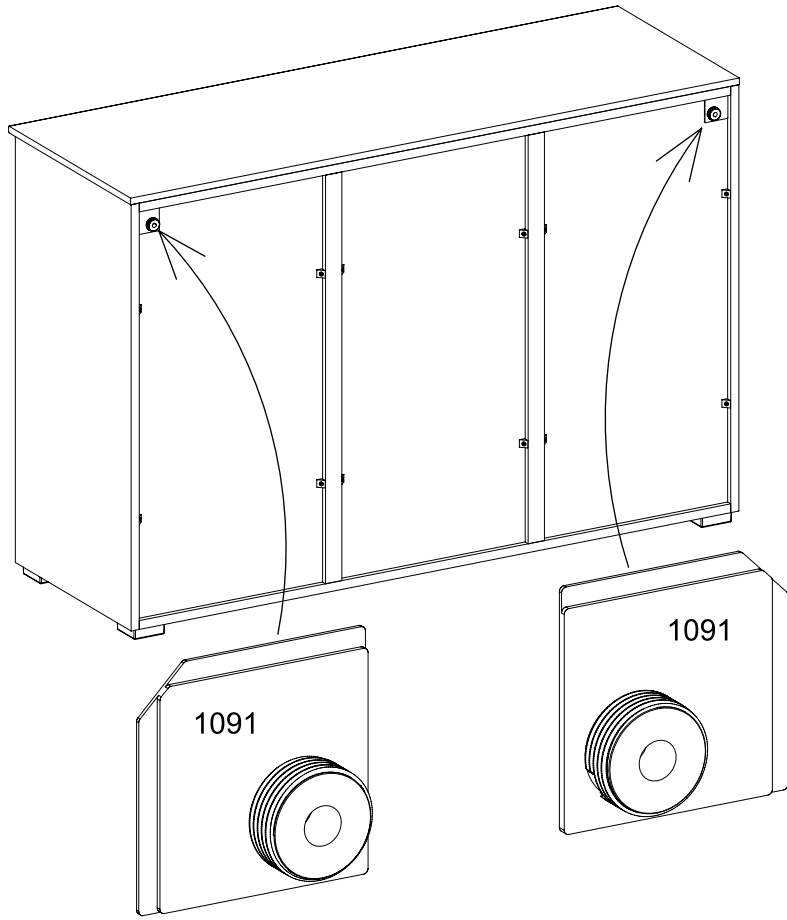
25

2x

1091



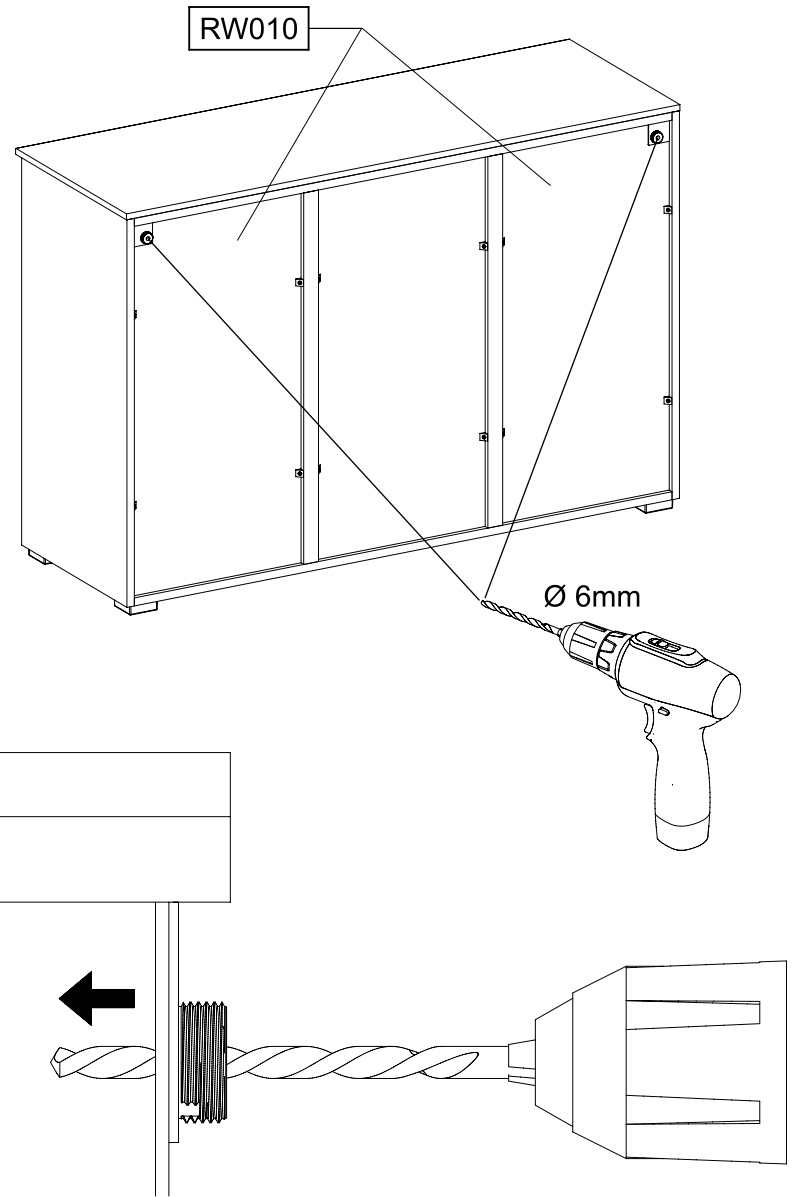
SCAN ME

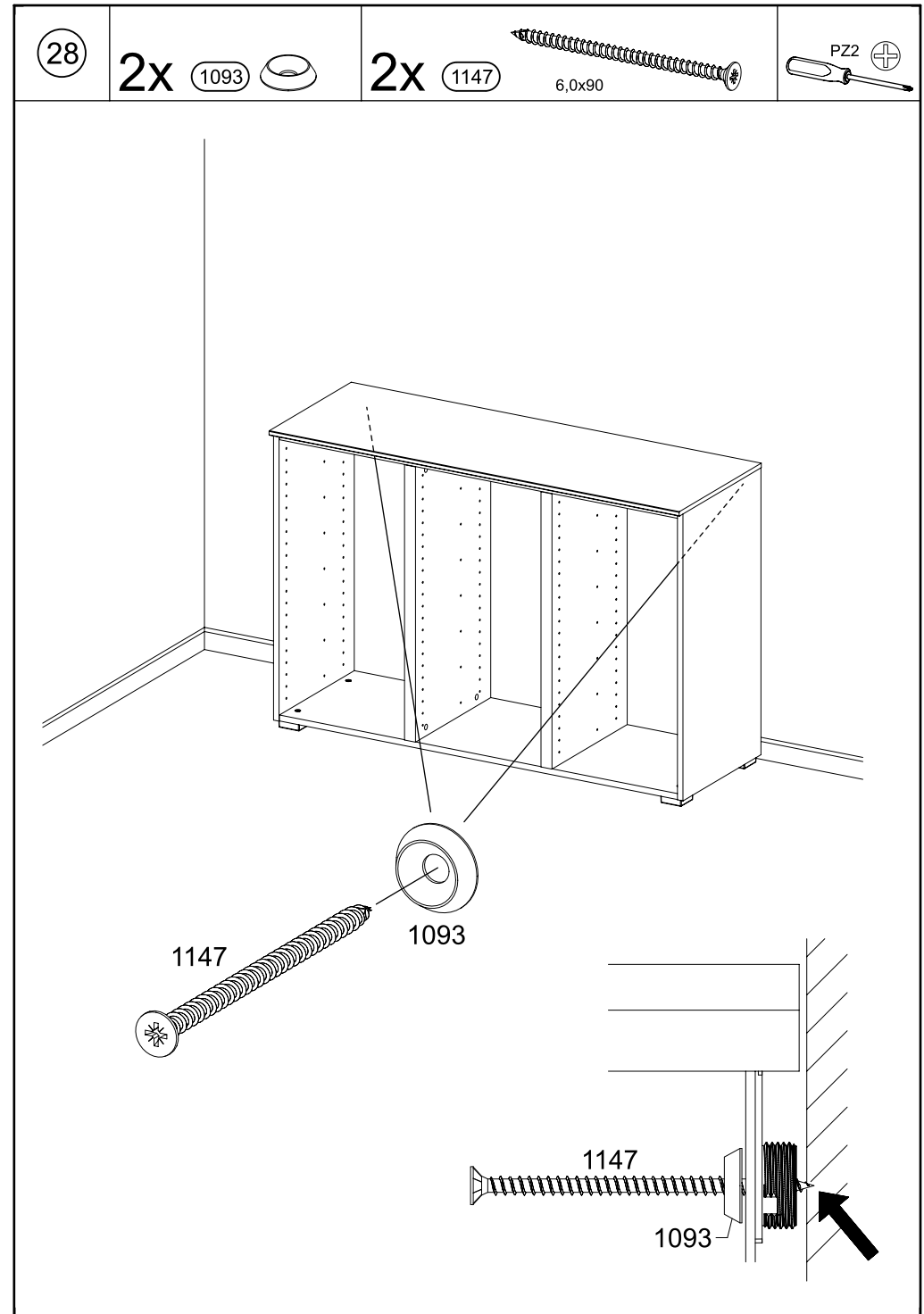
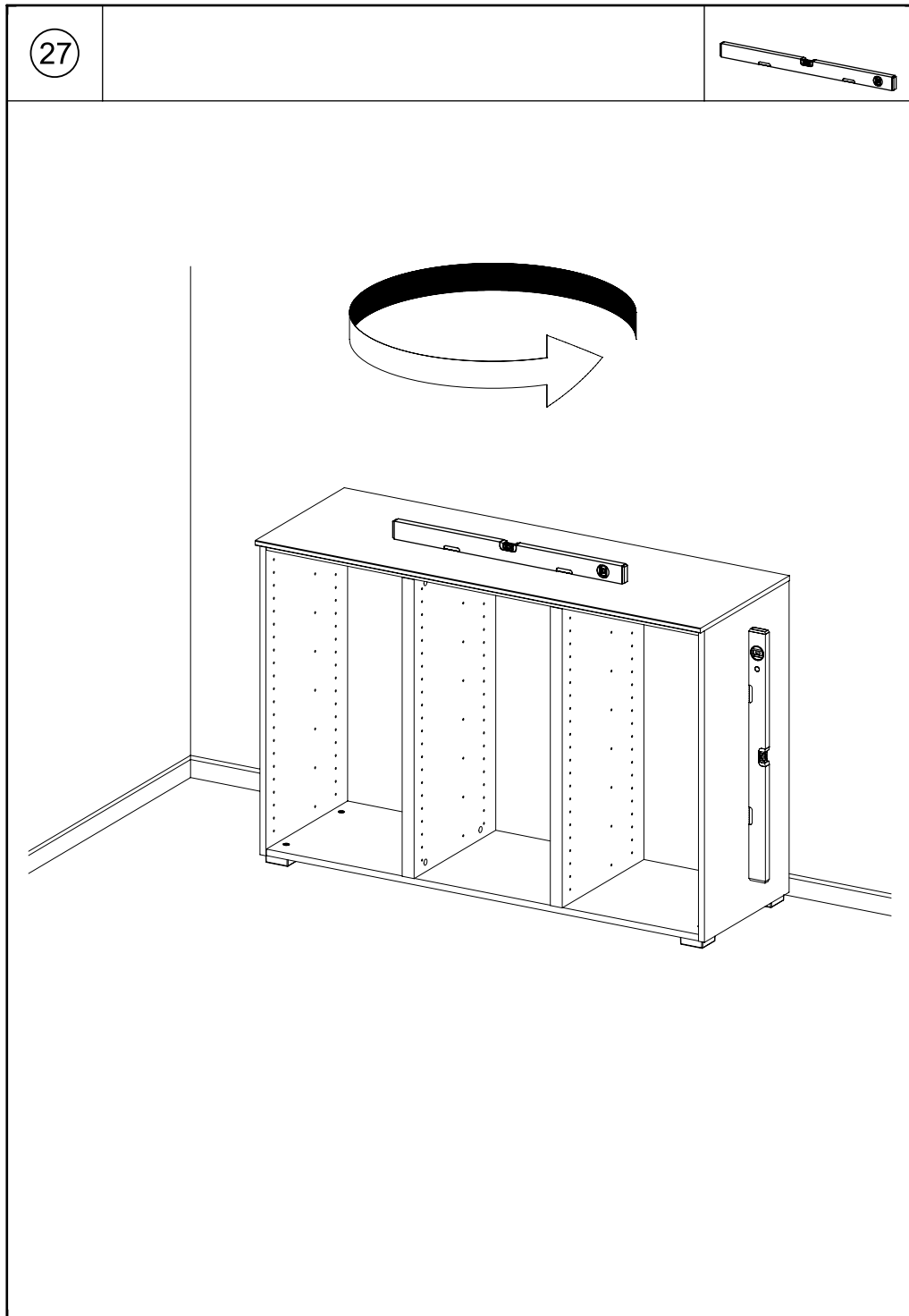


26



Ø6mm

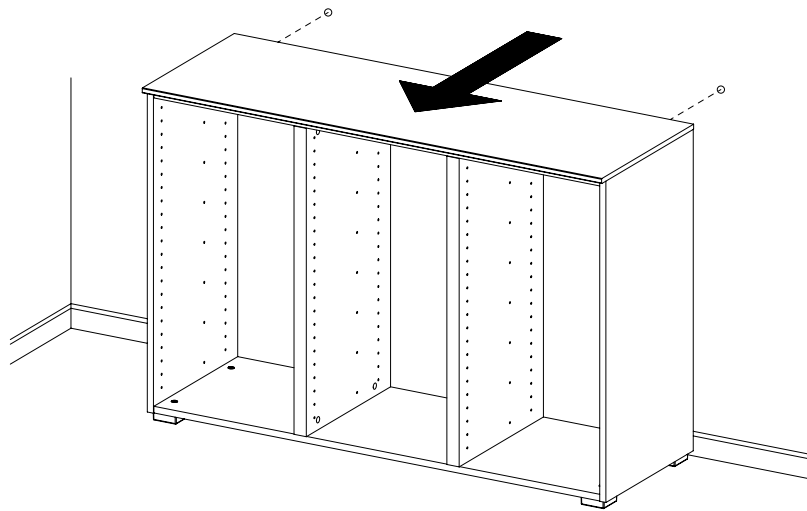
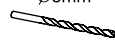




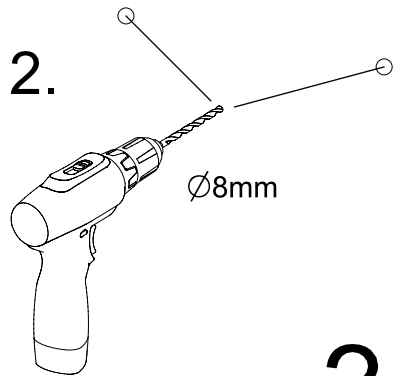
29



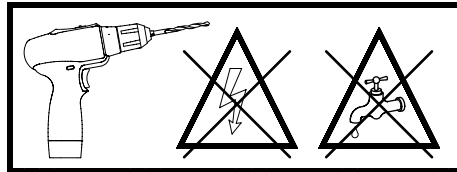
Ø8mm



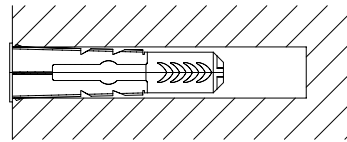
2.



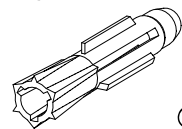
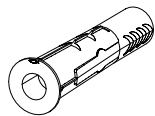
Ø8mm



3.



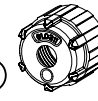
?



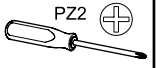
Ø8mm

30

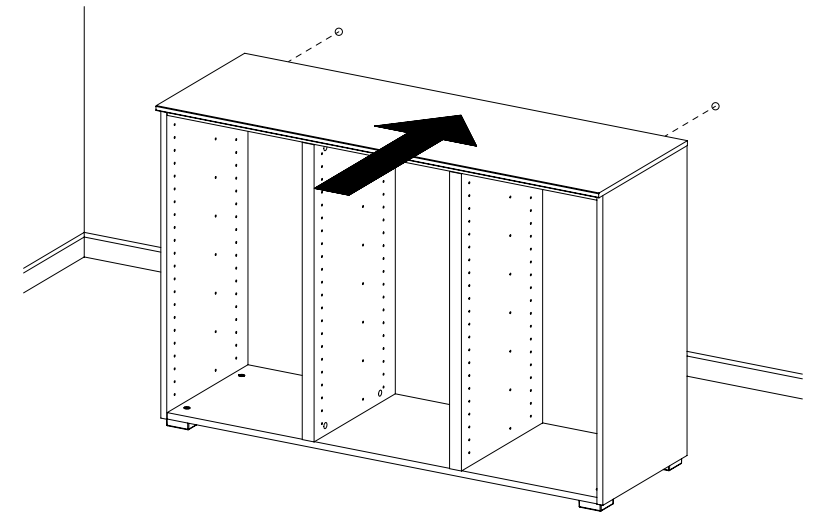
2x 1092



PZ2



1.



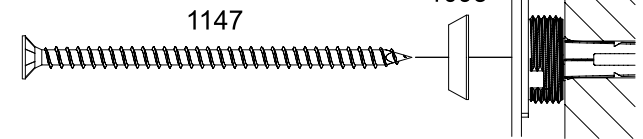
1092

2.



1147

1093



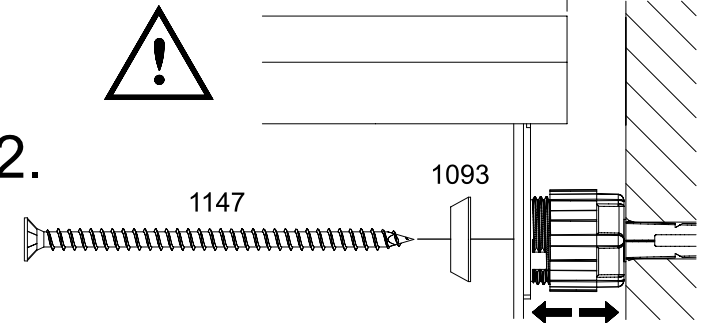
2.



1147

1093

10-15mm

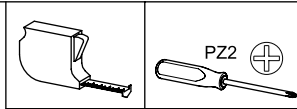
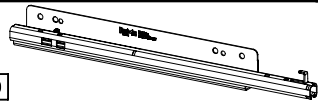


31

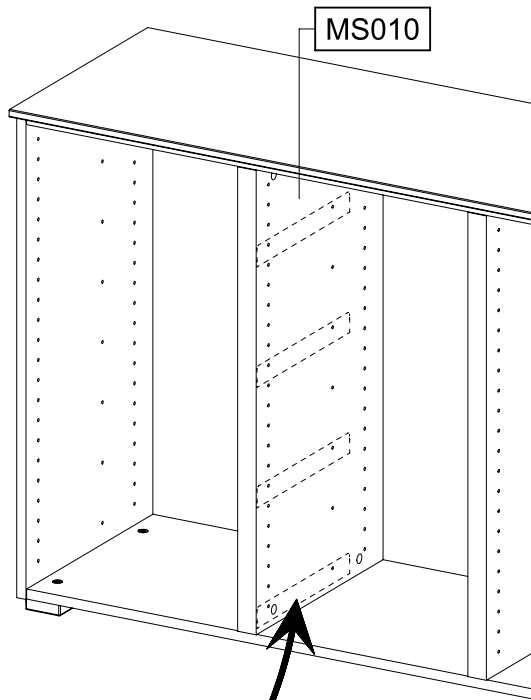
8x (792) 6,3x9

8x (836) 4x15

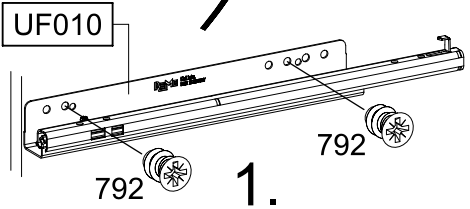
4x UF010



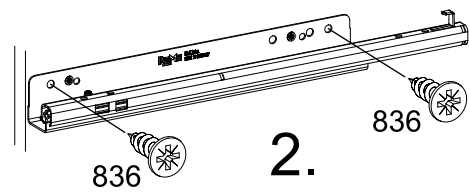
PZ2



MS010



1.



2.

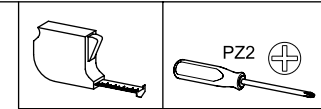
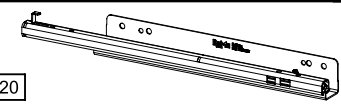


32

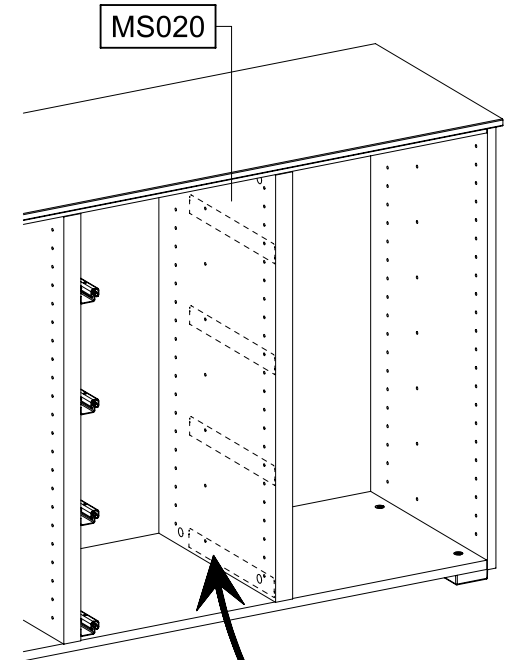
8x (792) 6,3x9

8x (836) 4x15

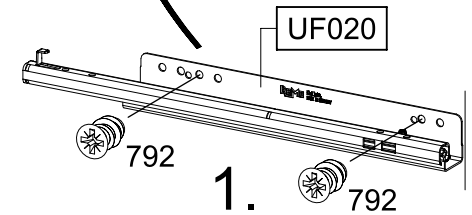
4x UF020



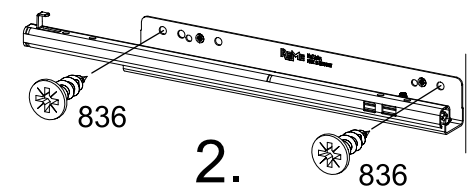
PZ2



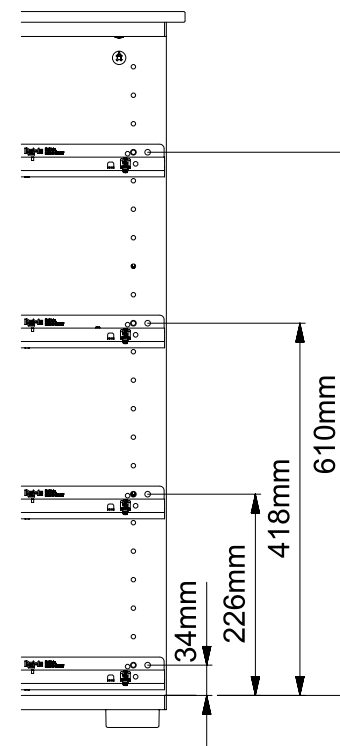
MS020



1.

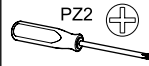
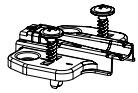


2.

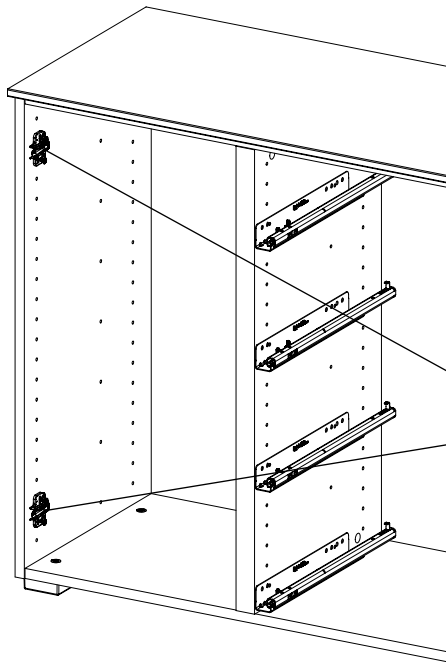


33

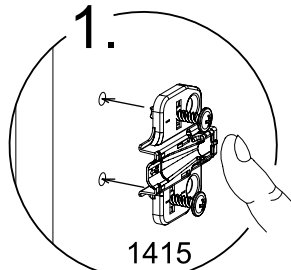
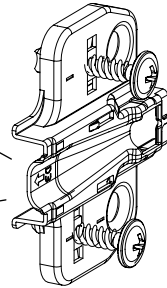
2x 1415



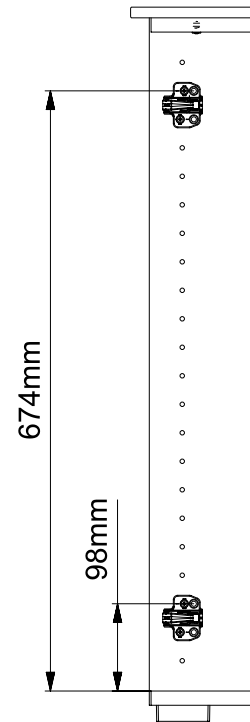
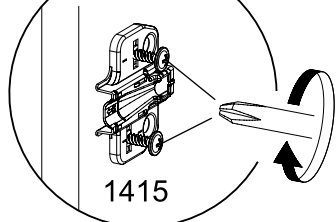
SCAN ME



1415



2.

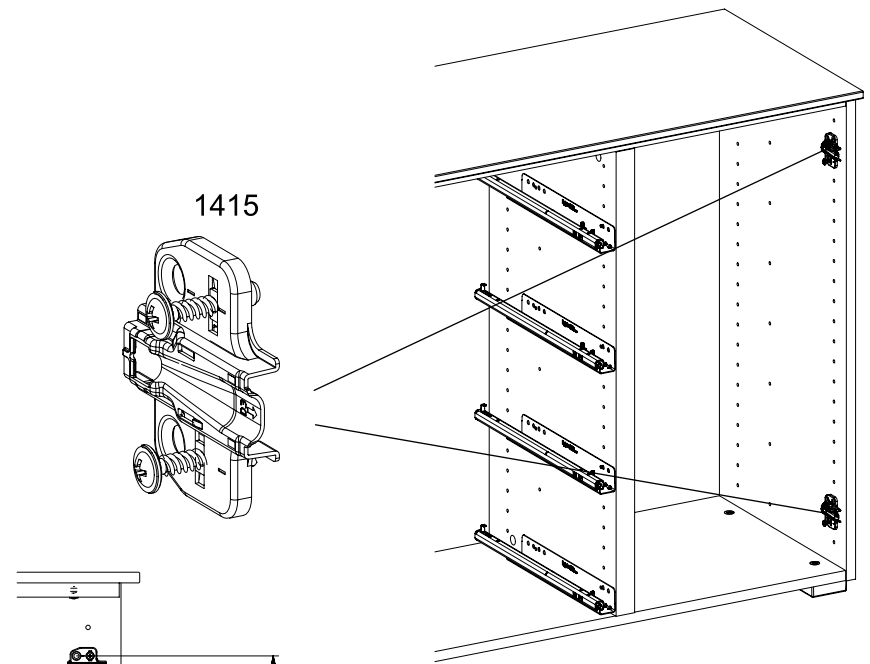
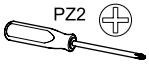
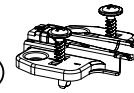


674mm

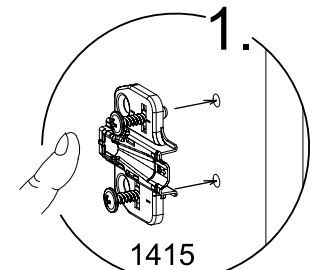
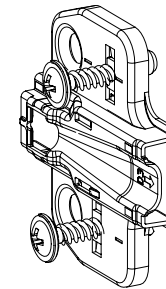
98mm

34

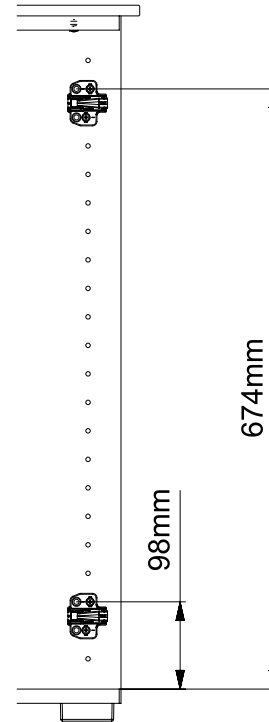
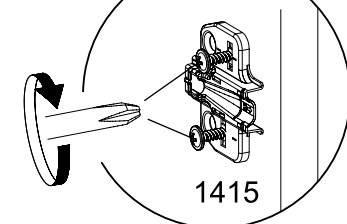
2x 1415



1415



2.

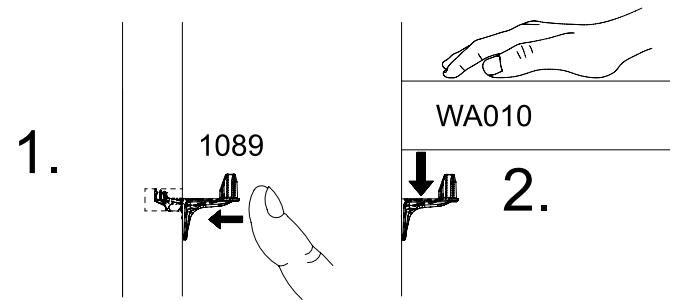
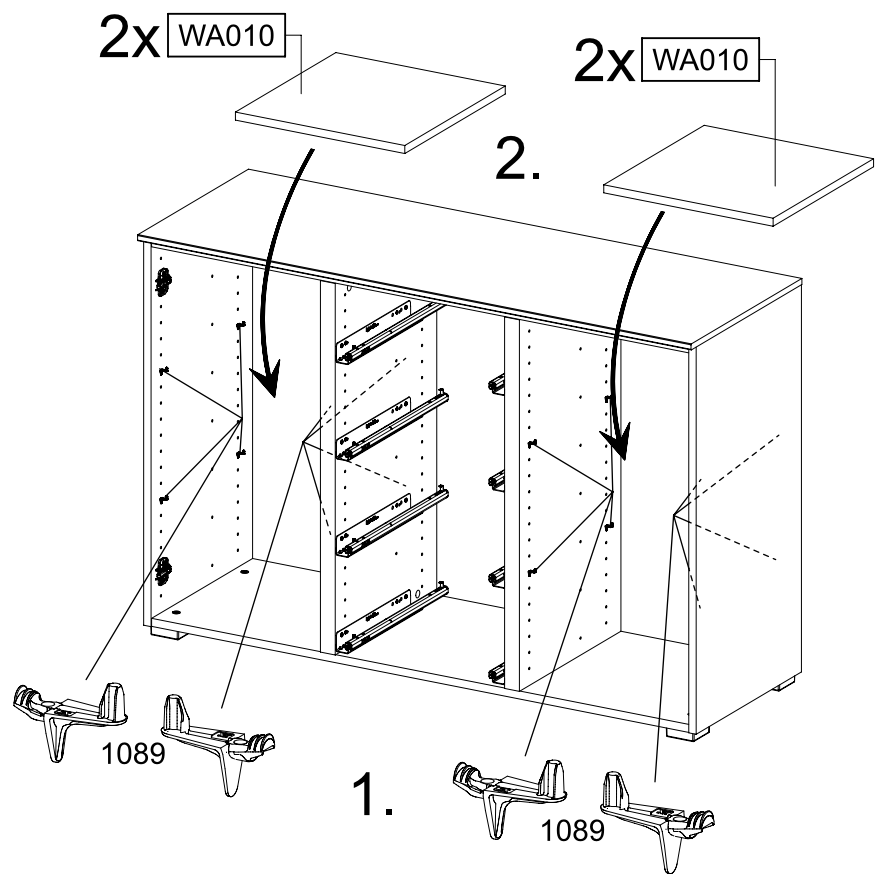
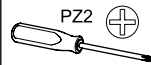


674mm

98mm

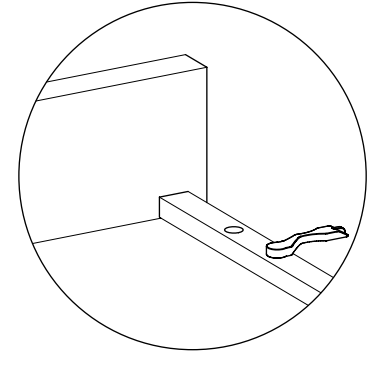
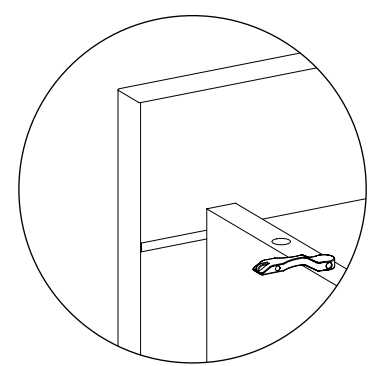
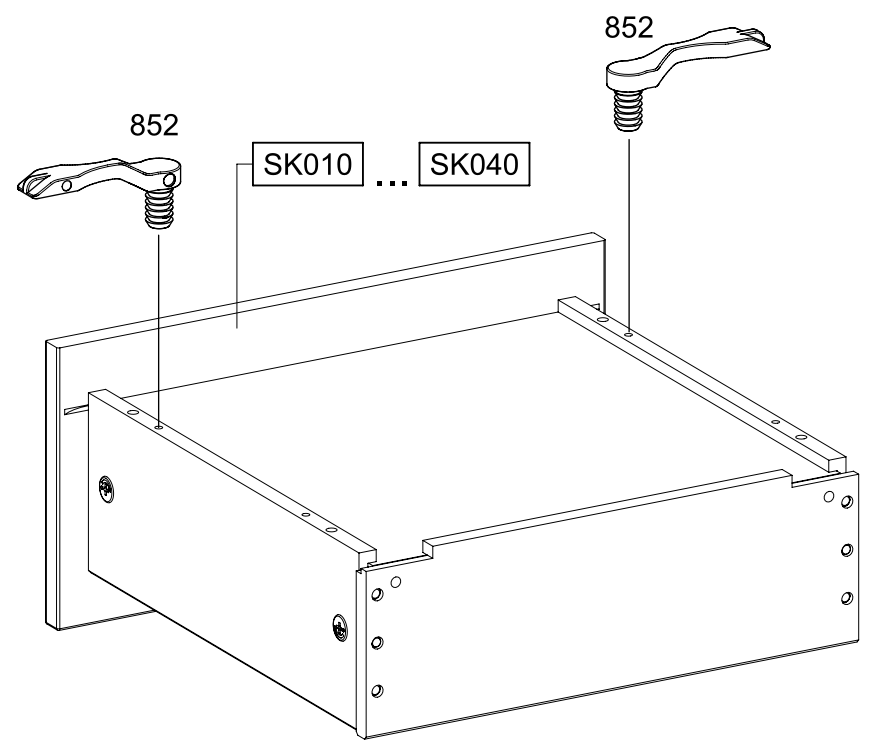
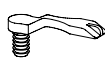
35

16x 1089

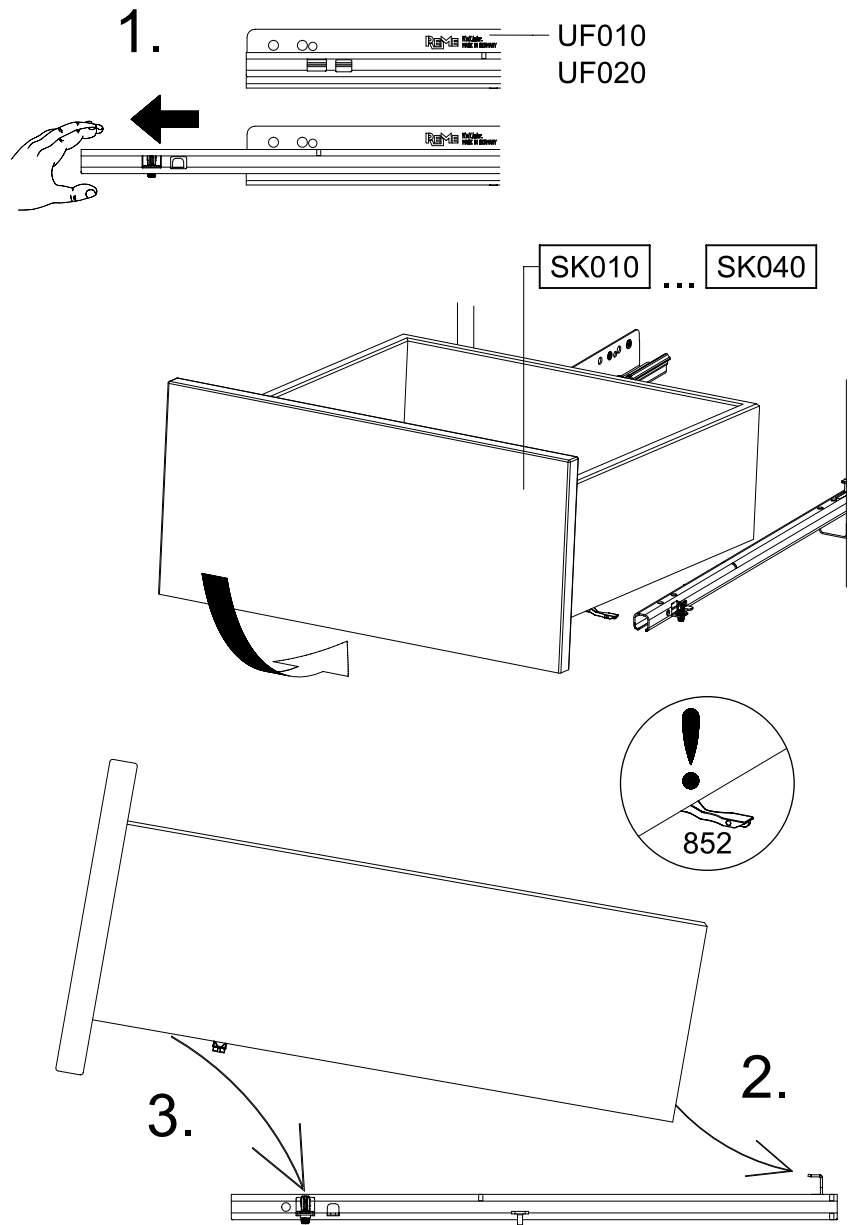


36

8x 852

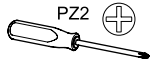
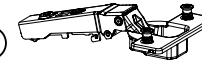


37

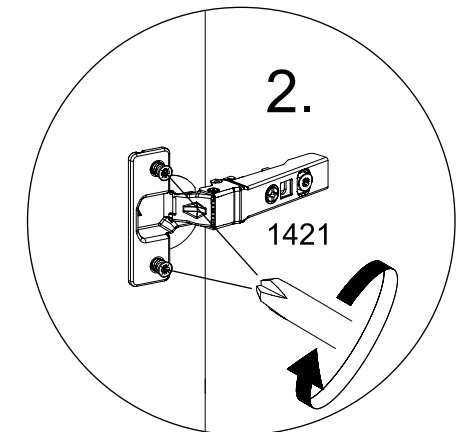
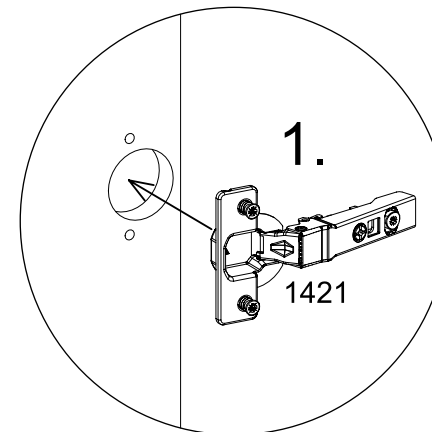
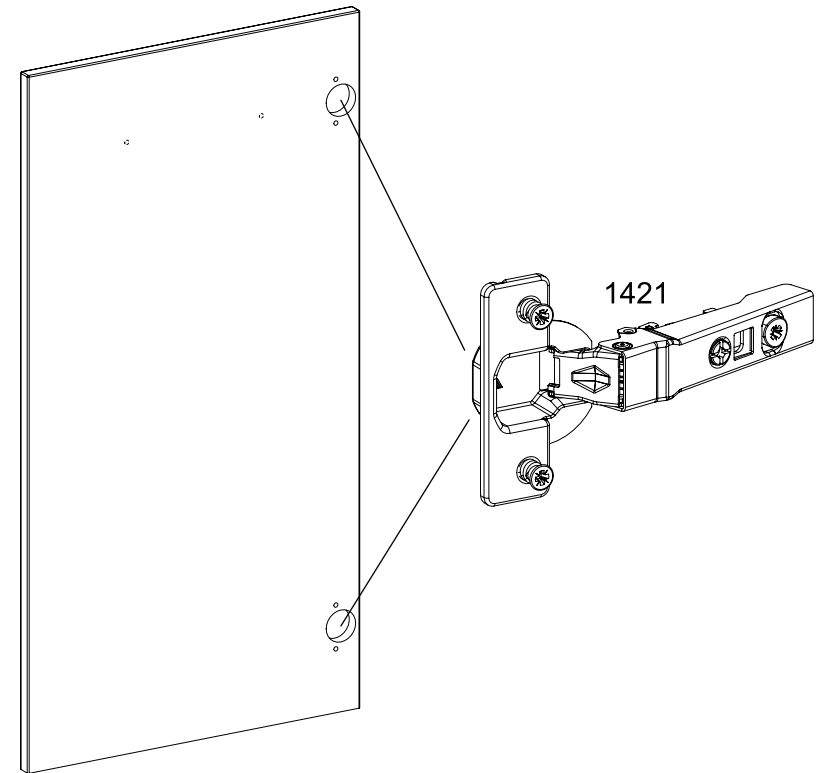


38

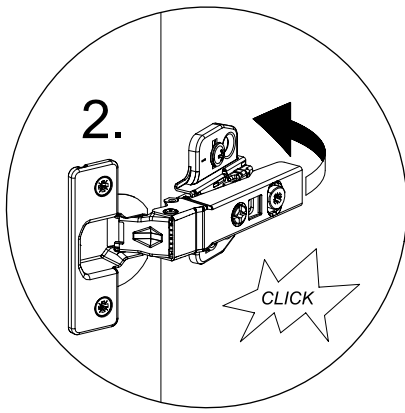
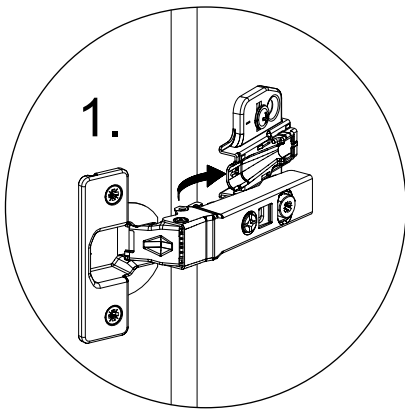
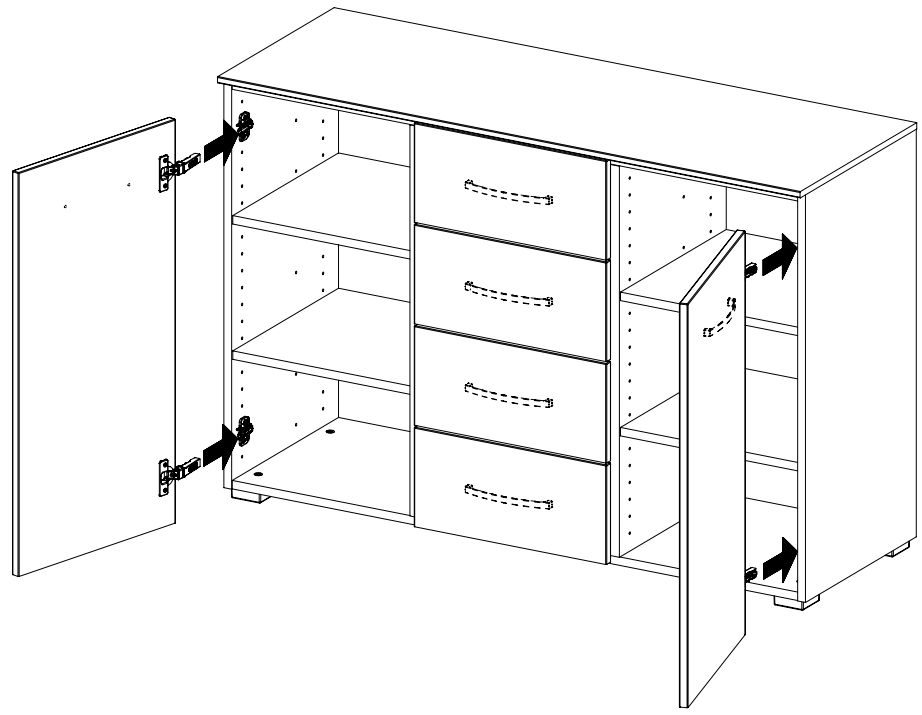
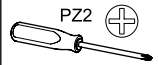
4x 1421



SCAN ME



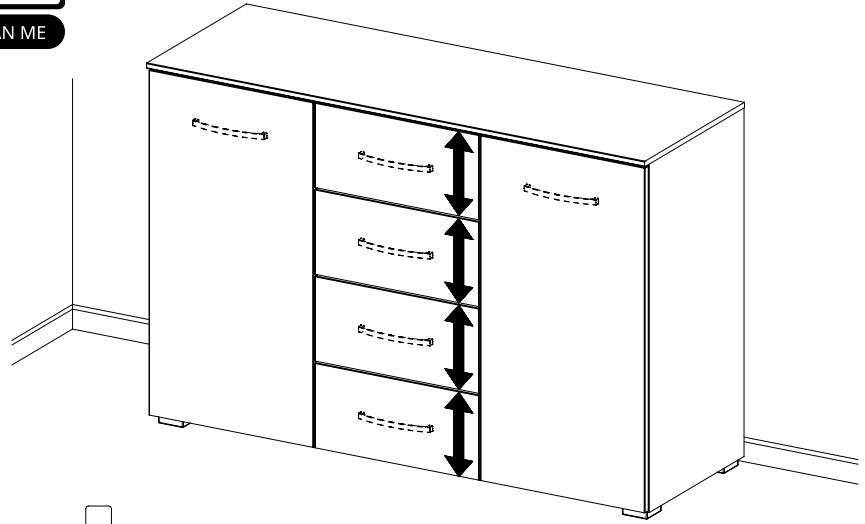
39



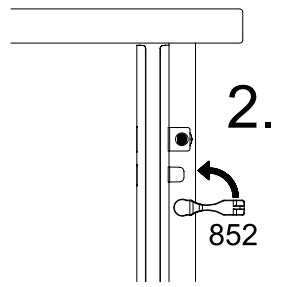
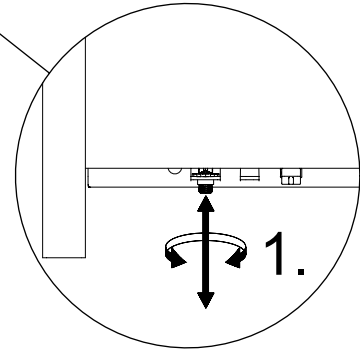
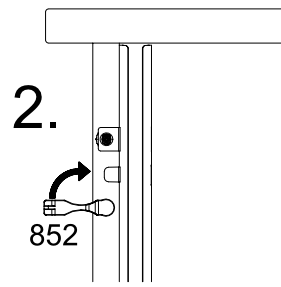
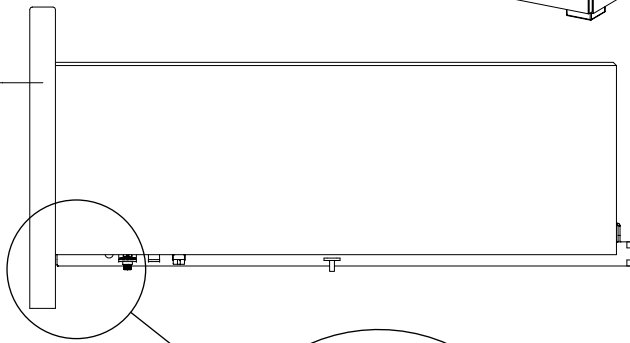
40



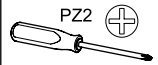
SCAN ME



SK010
SK020
SK030
SK040



41



SCAN ME

