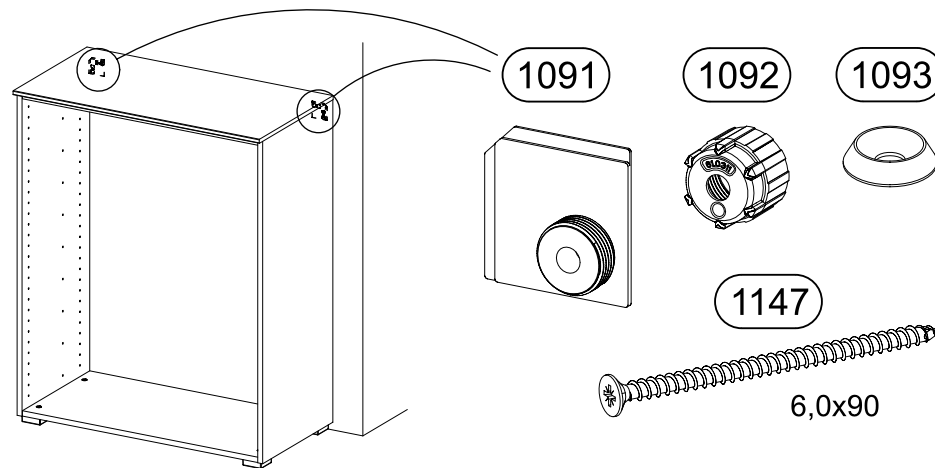
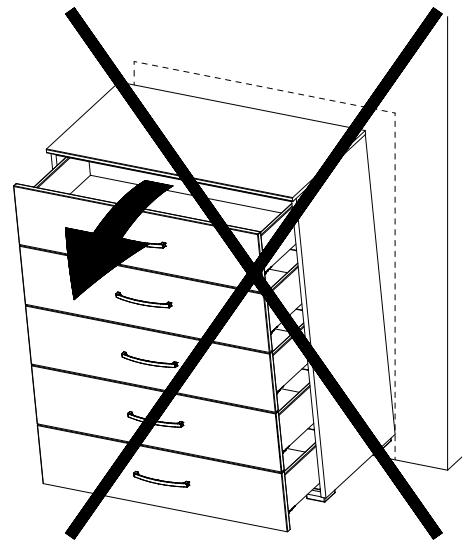
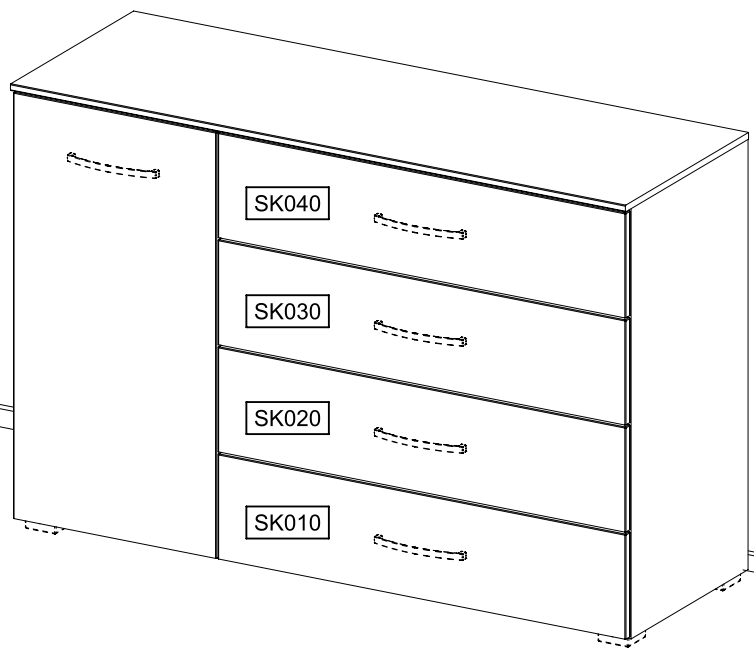
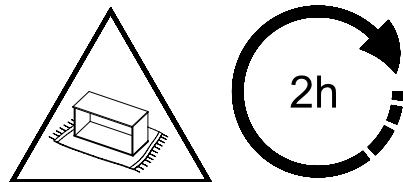
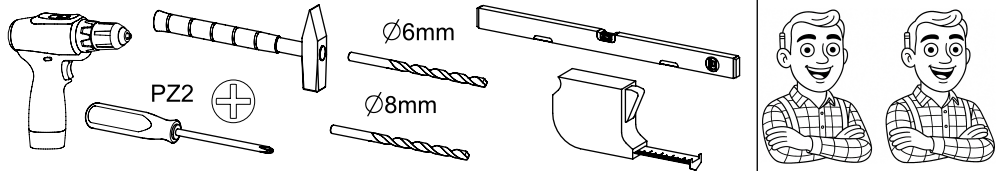


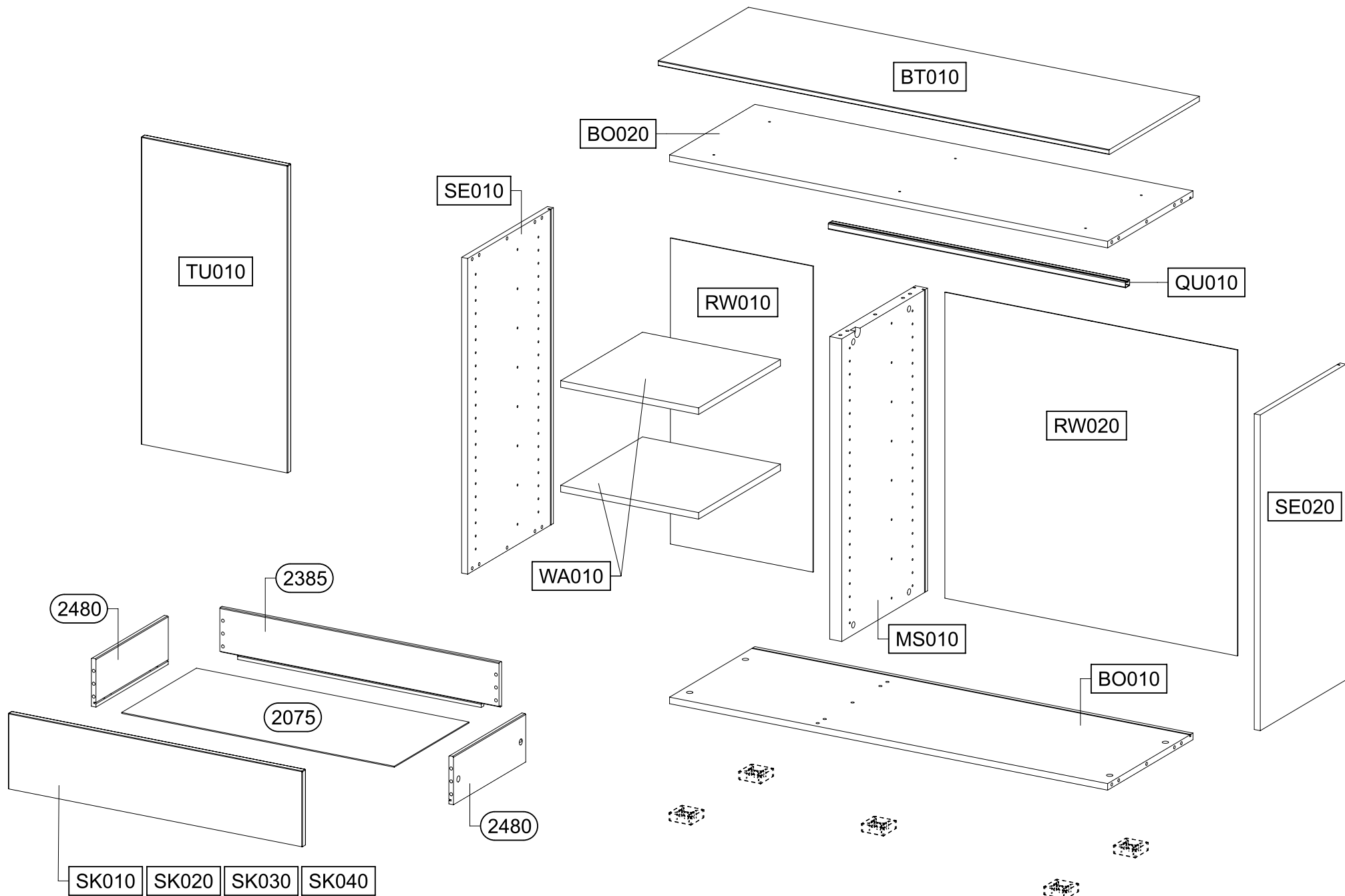
M3099_02

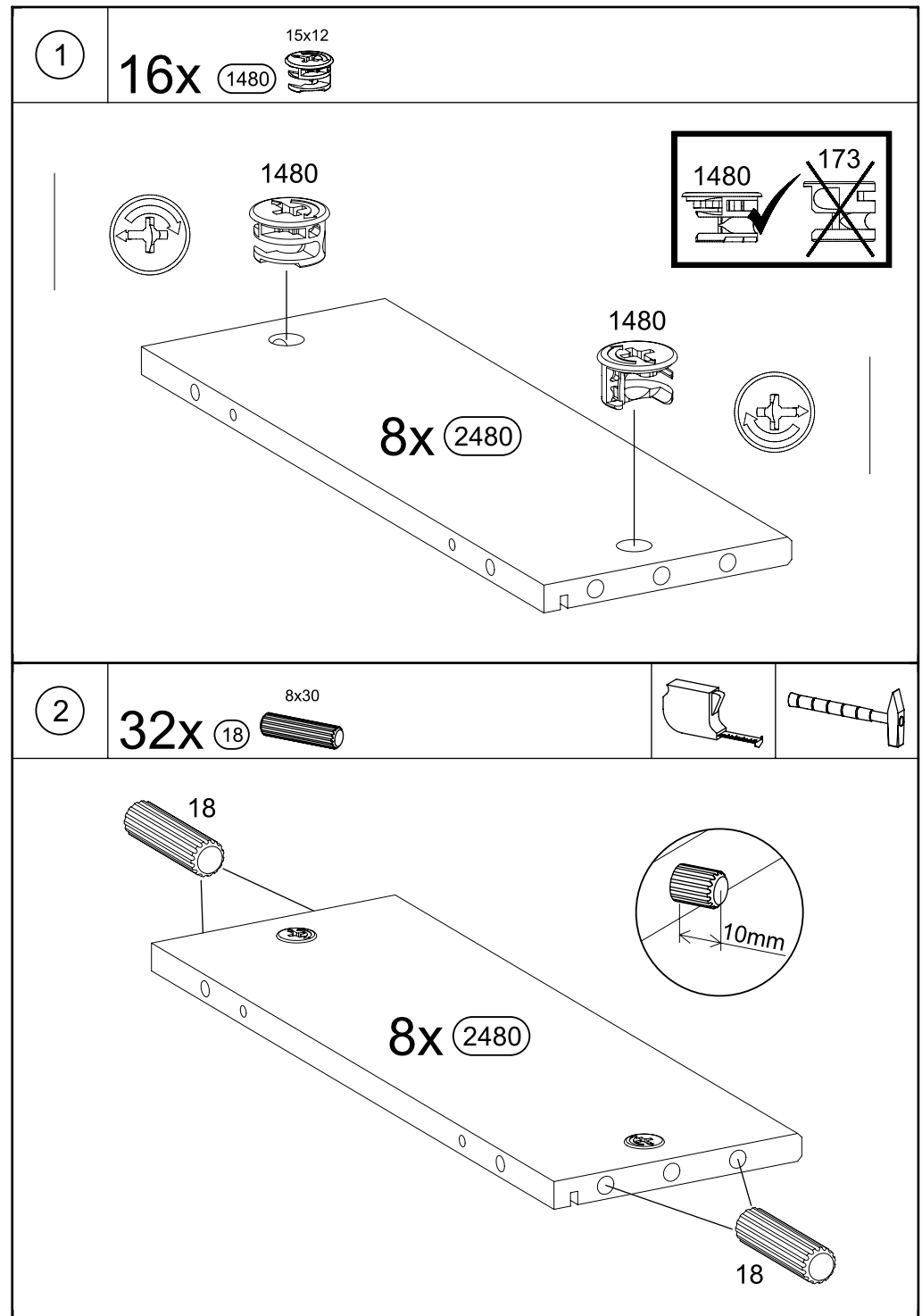
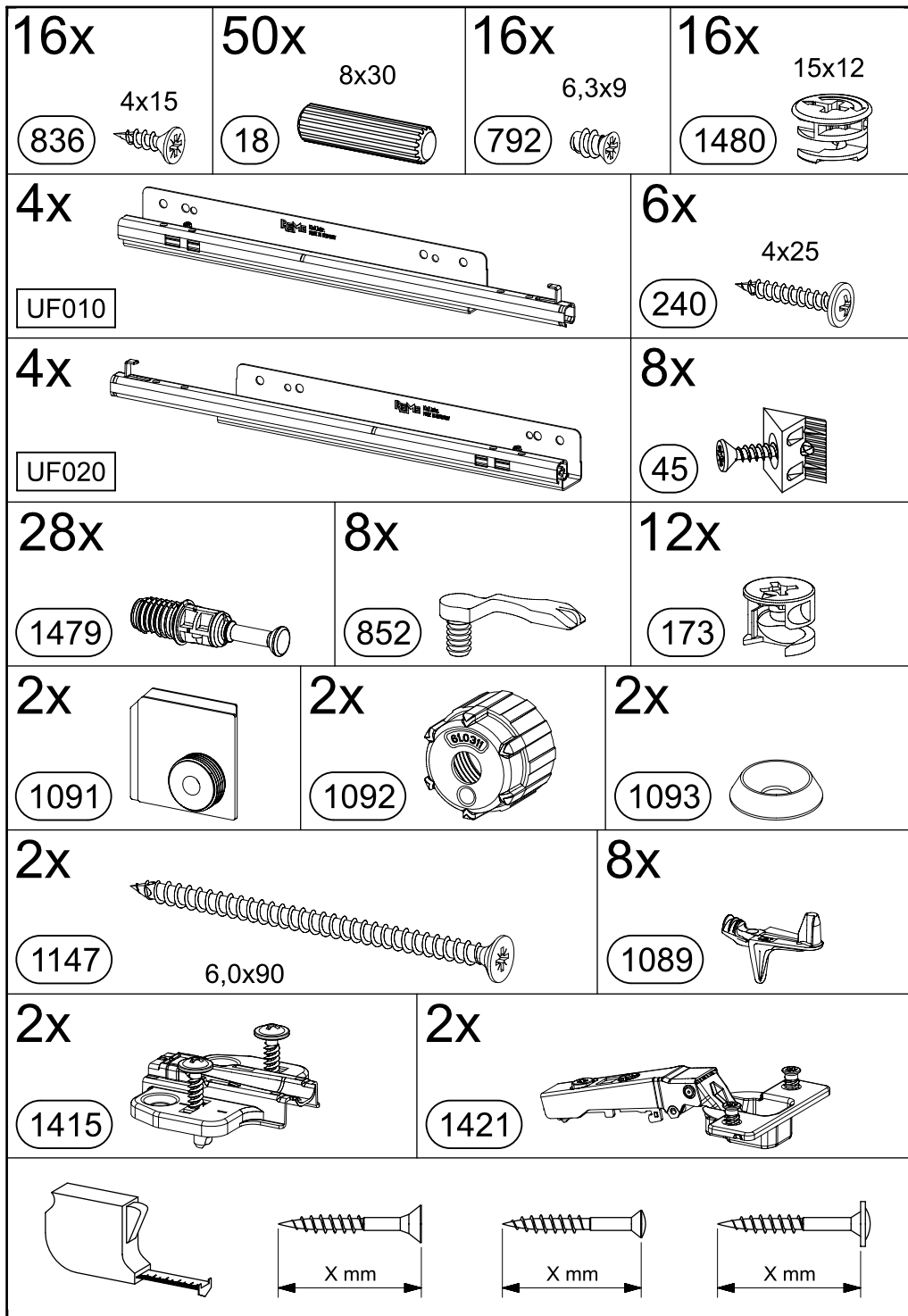


VIDEO



SCAN ME





3

1479



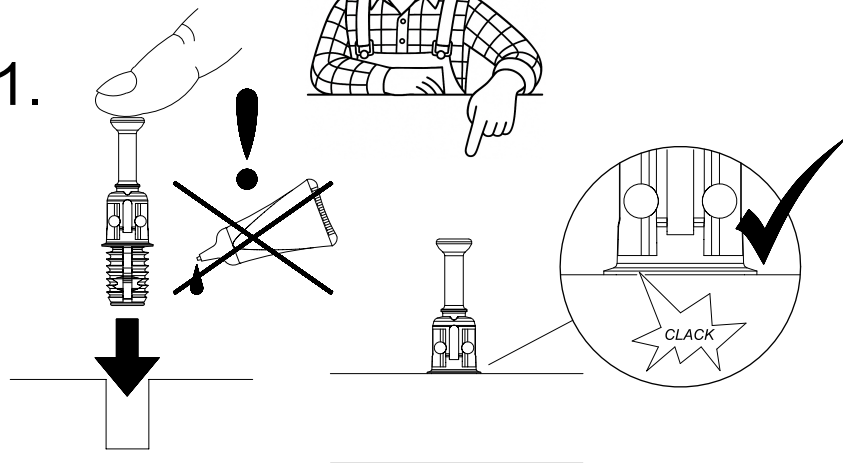
Function!



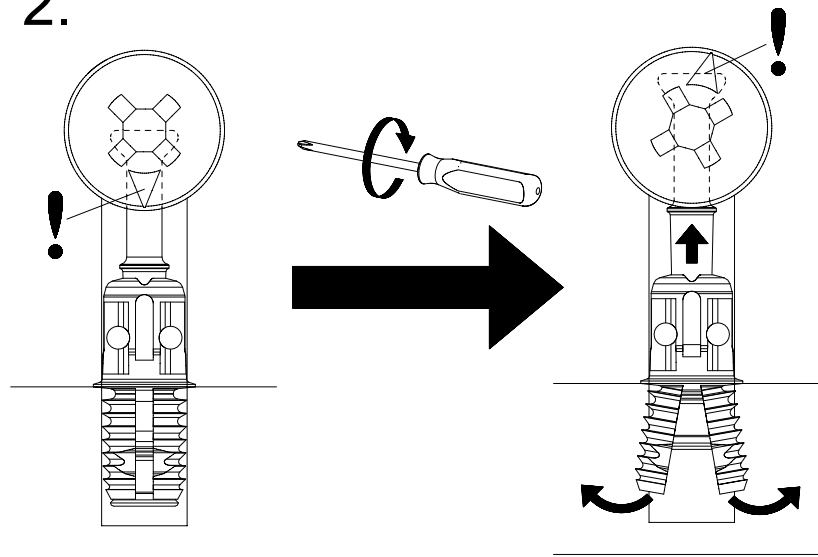
Scan Me



1.

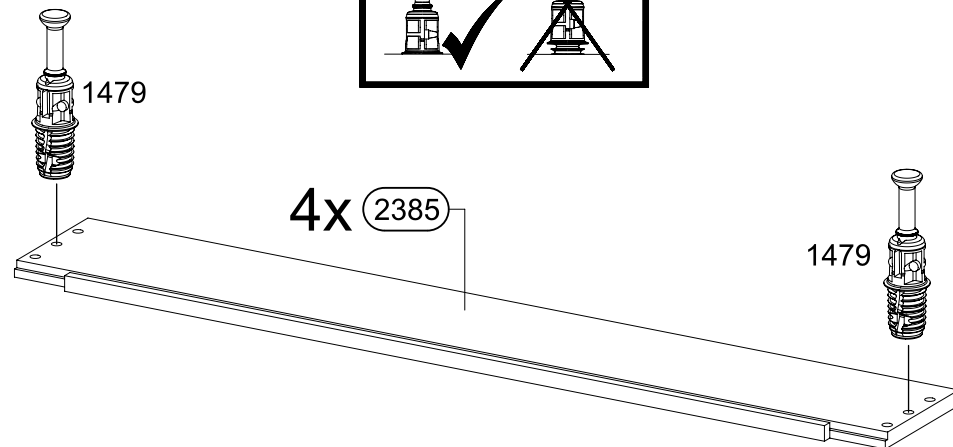
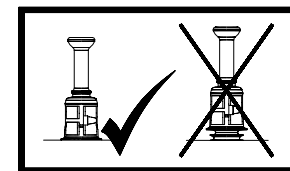


2.



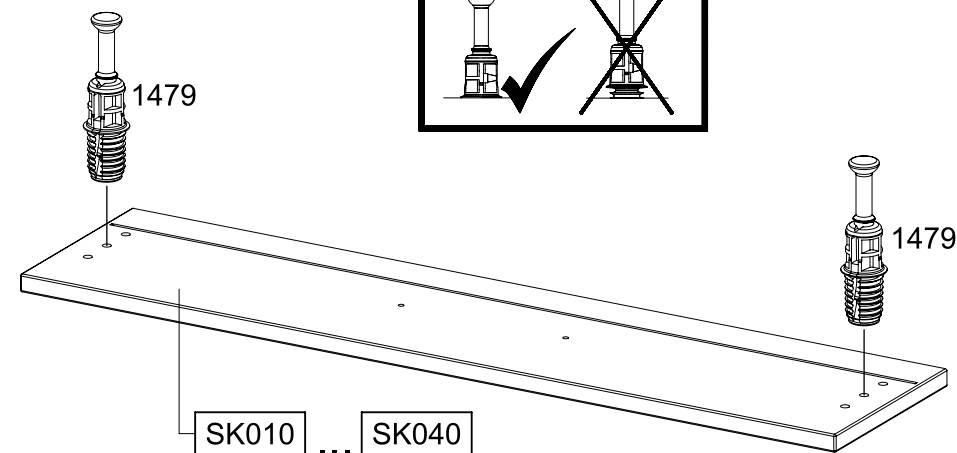
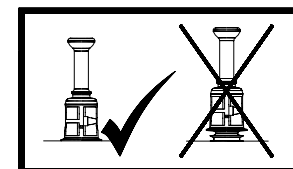
4

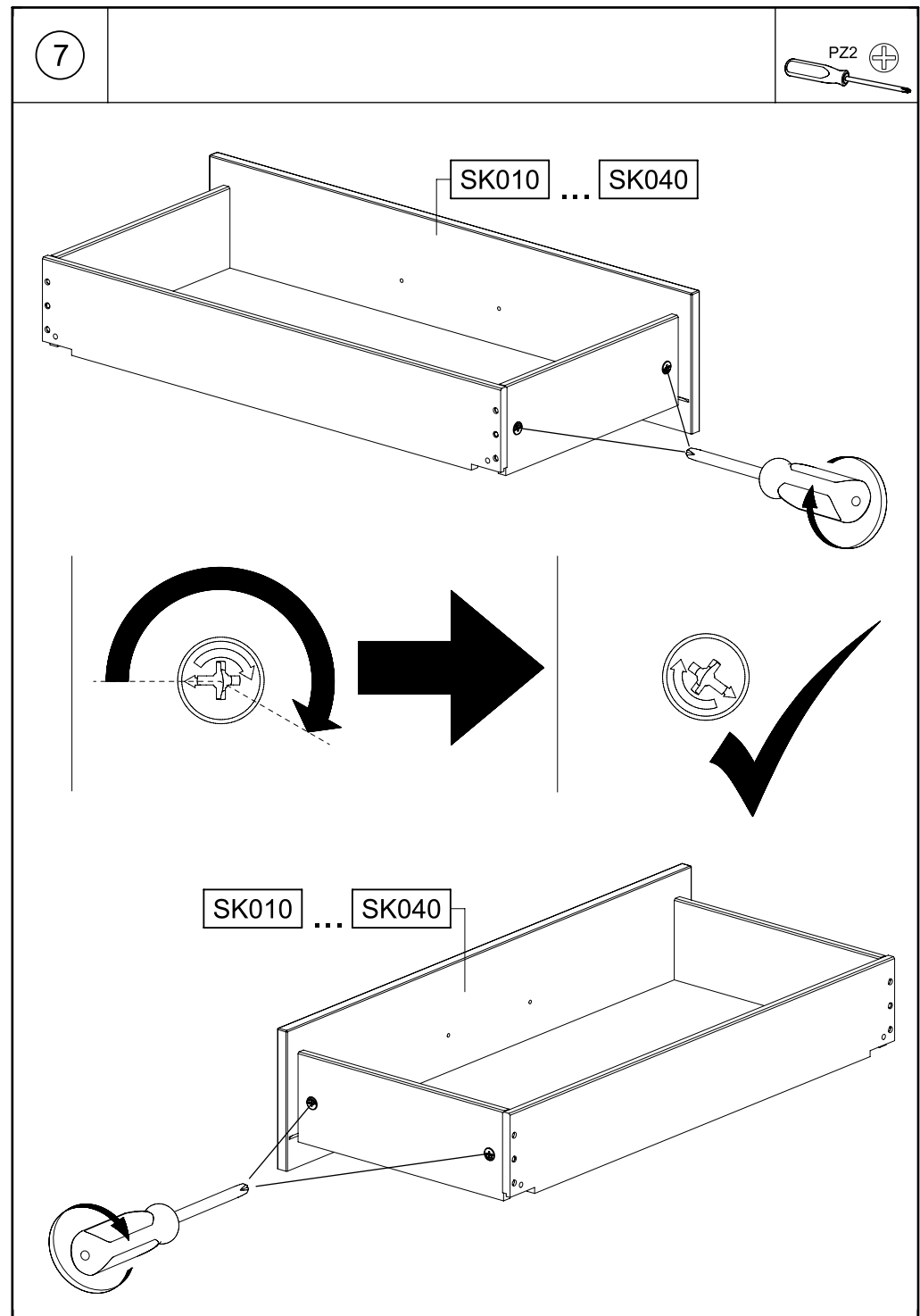
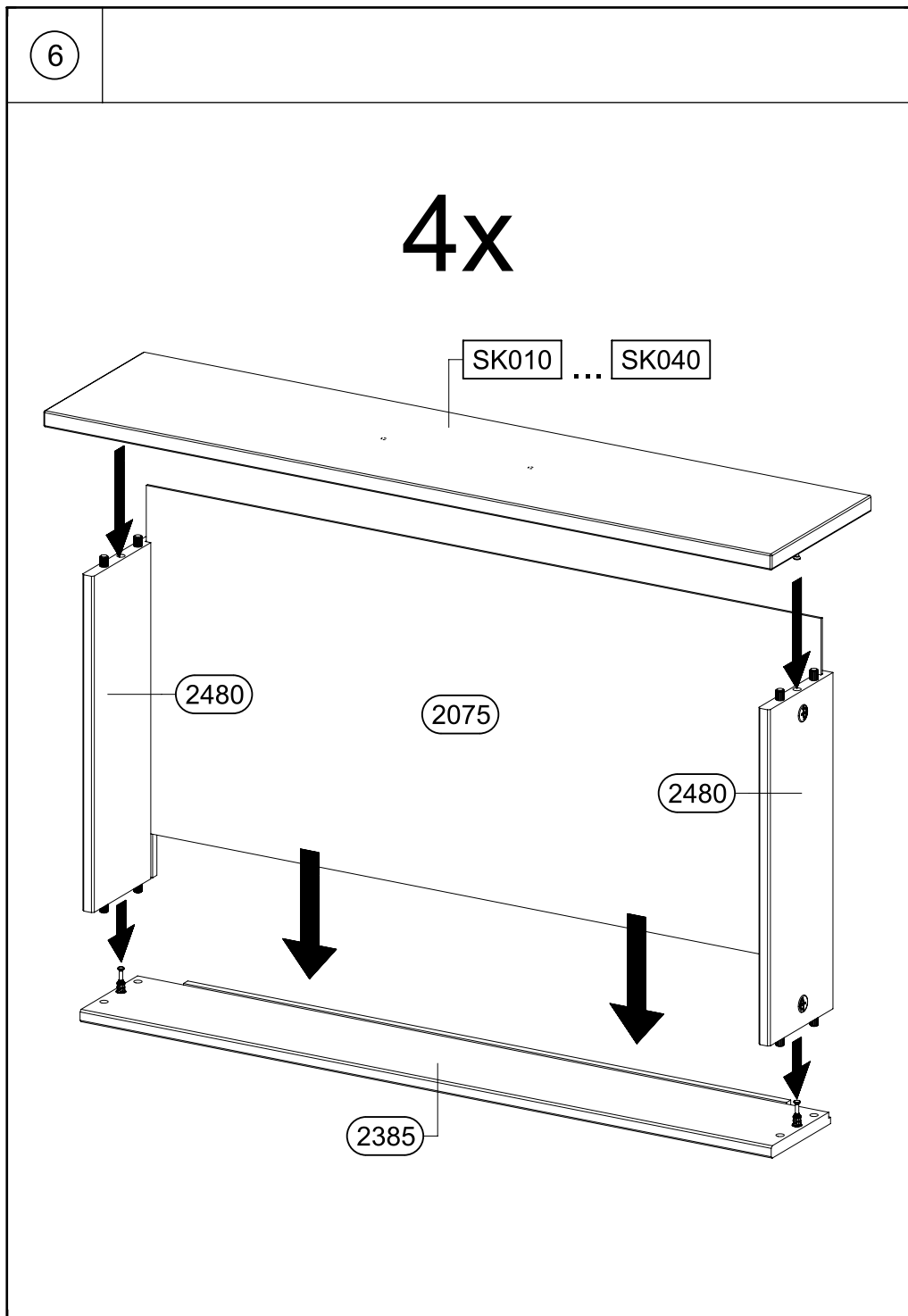
8x 1479

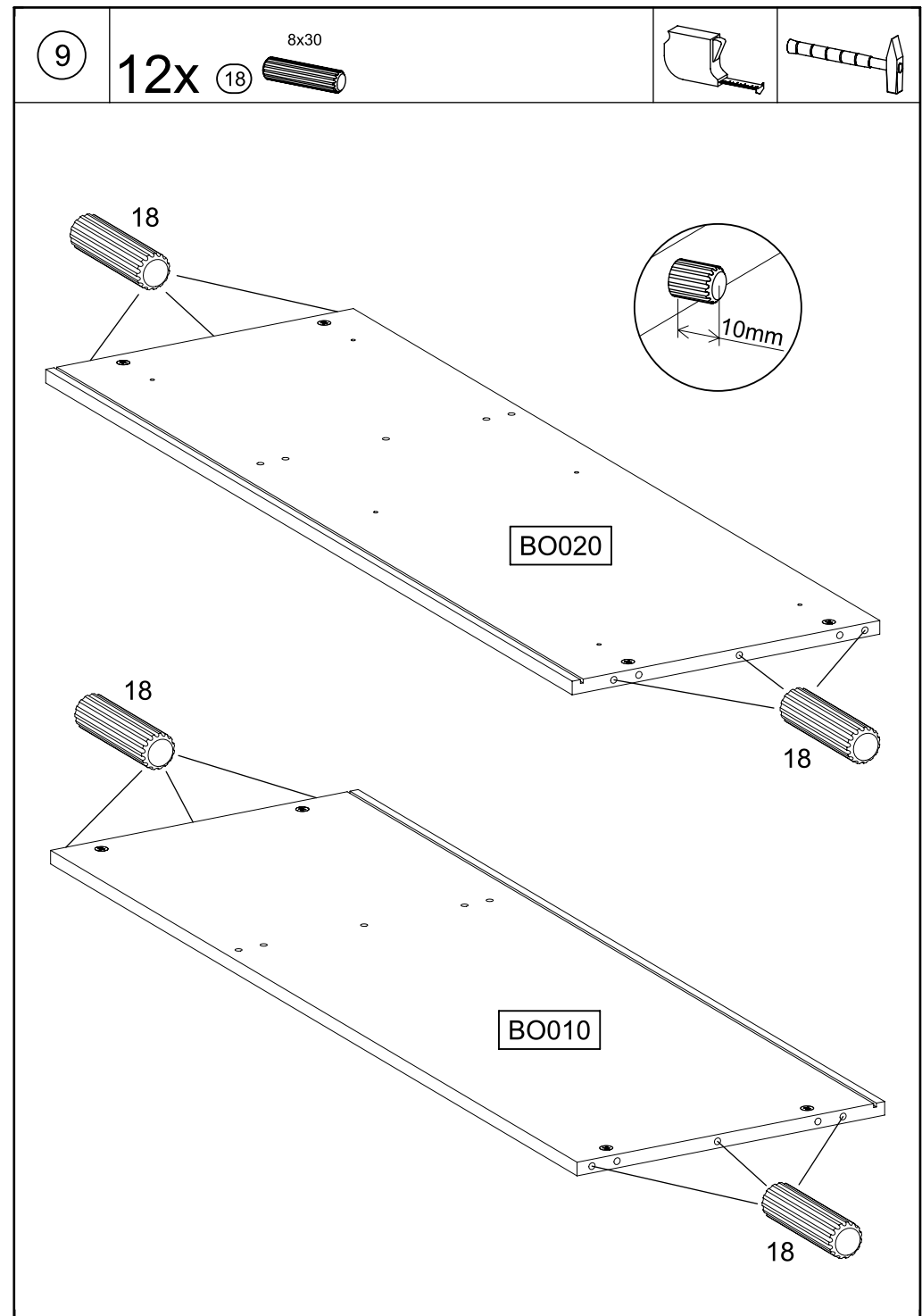
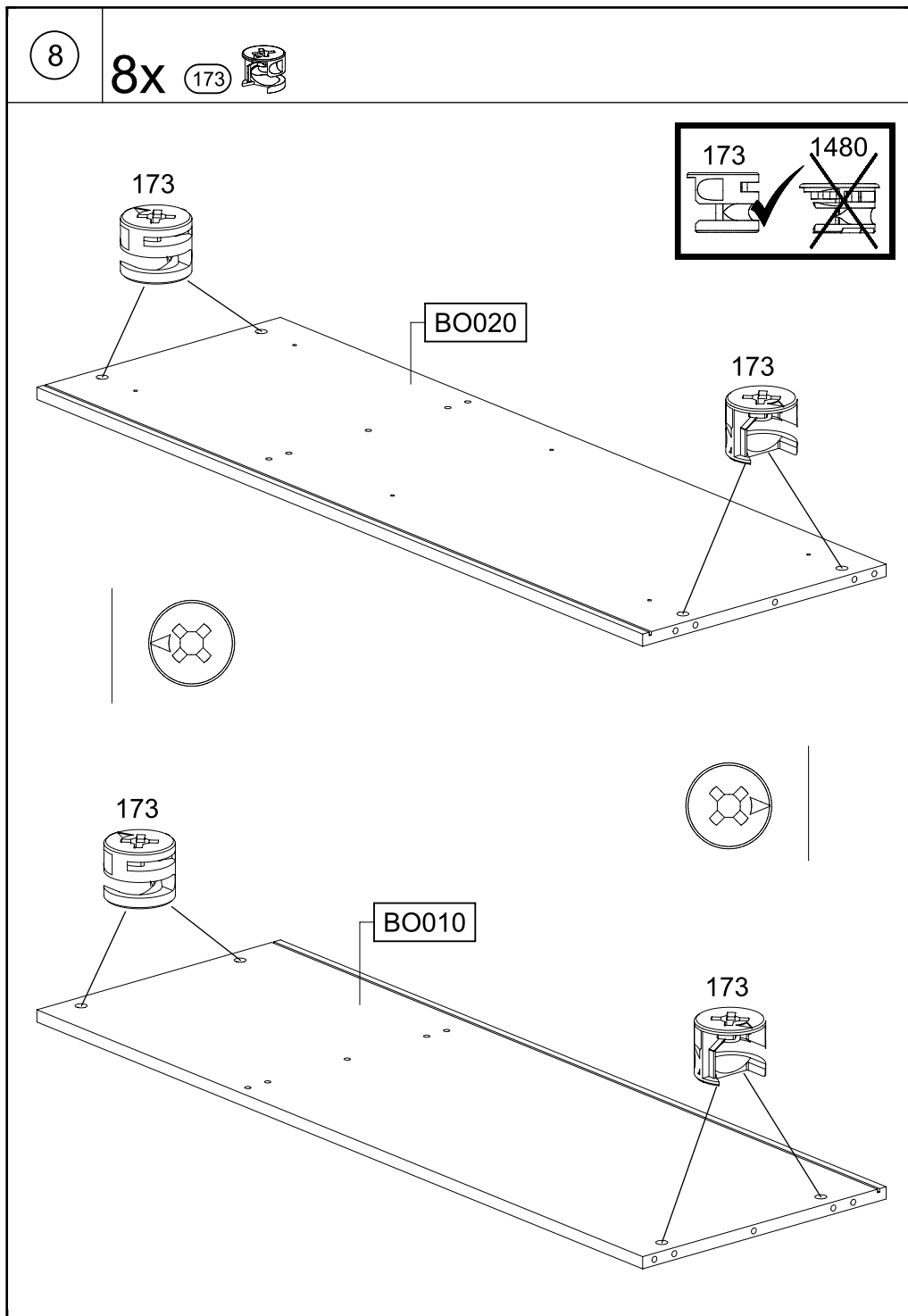


5

8x 1479

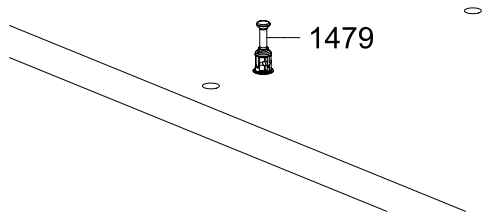
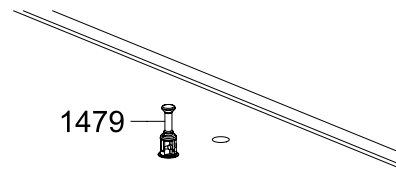
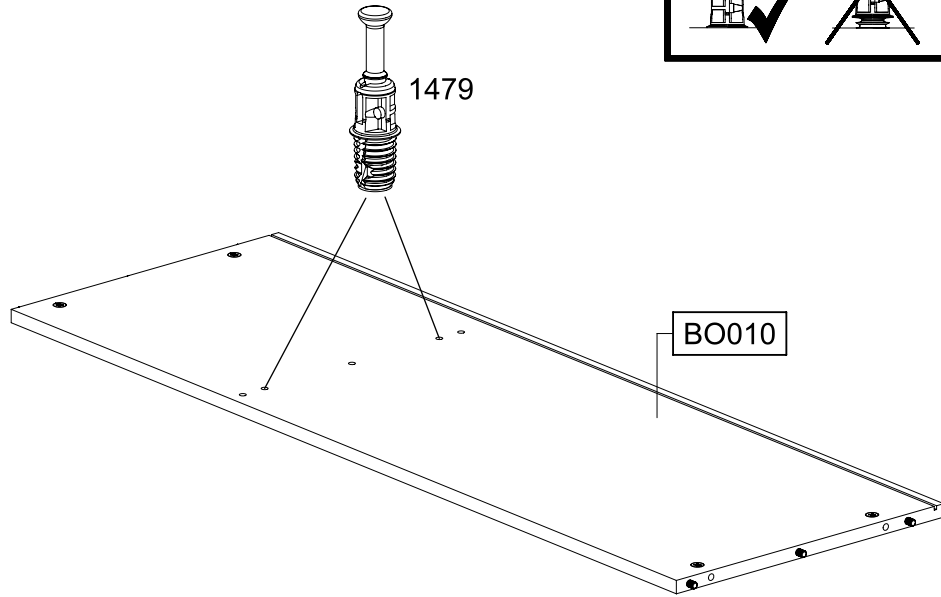
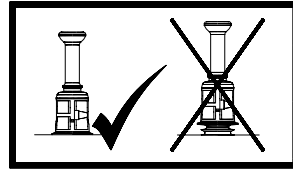






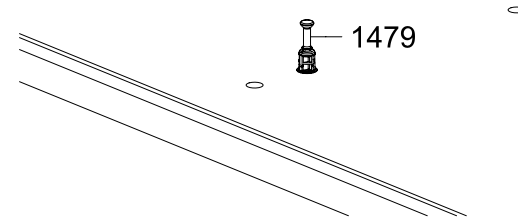
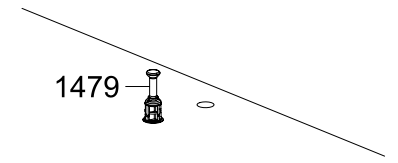
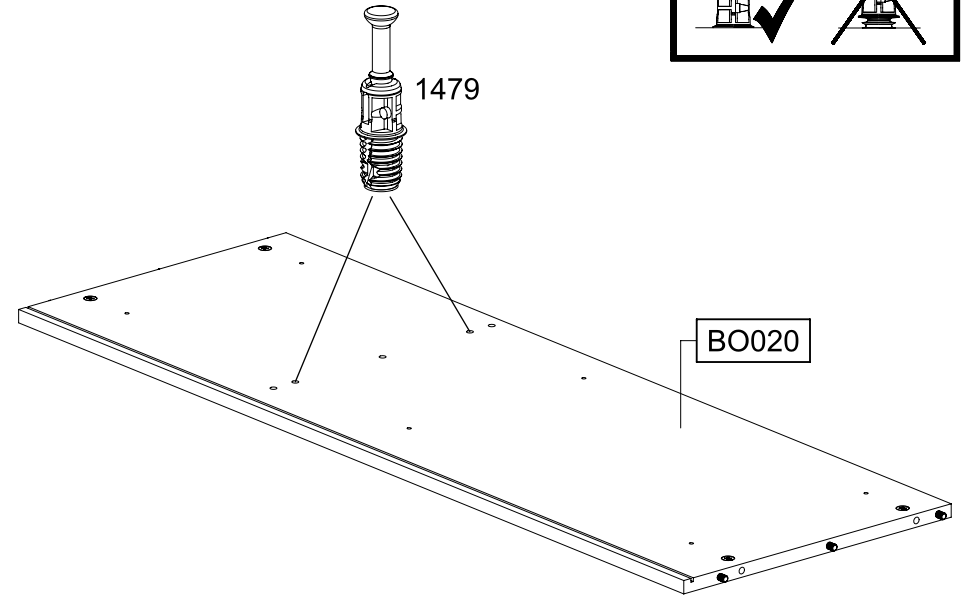
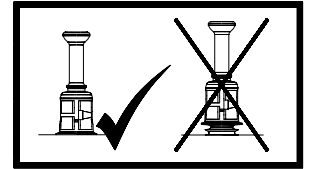
10

2x 1479 



11

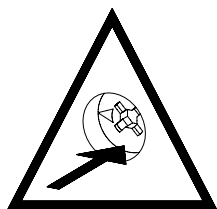
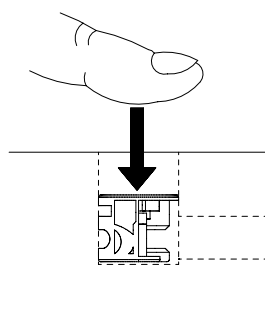
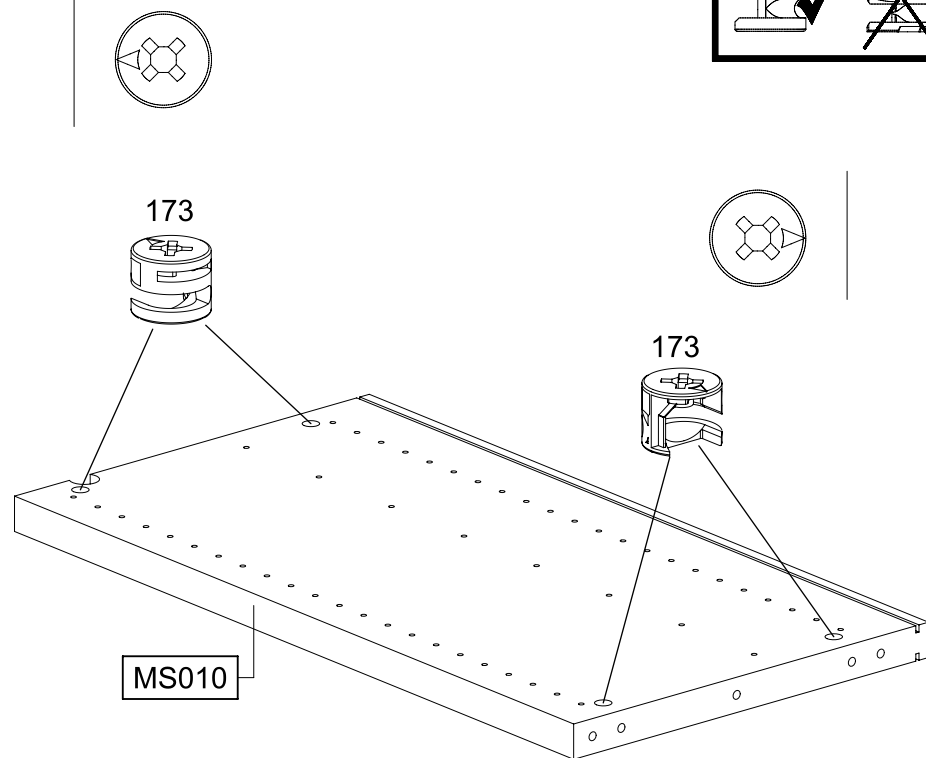
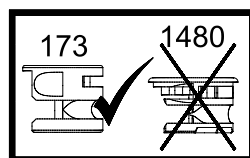
2x 1479 



12

4x

173

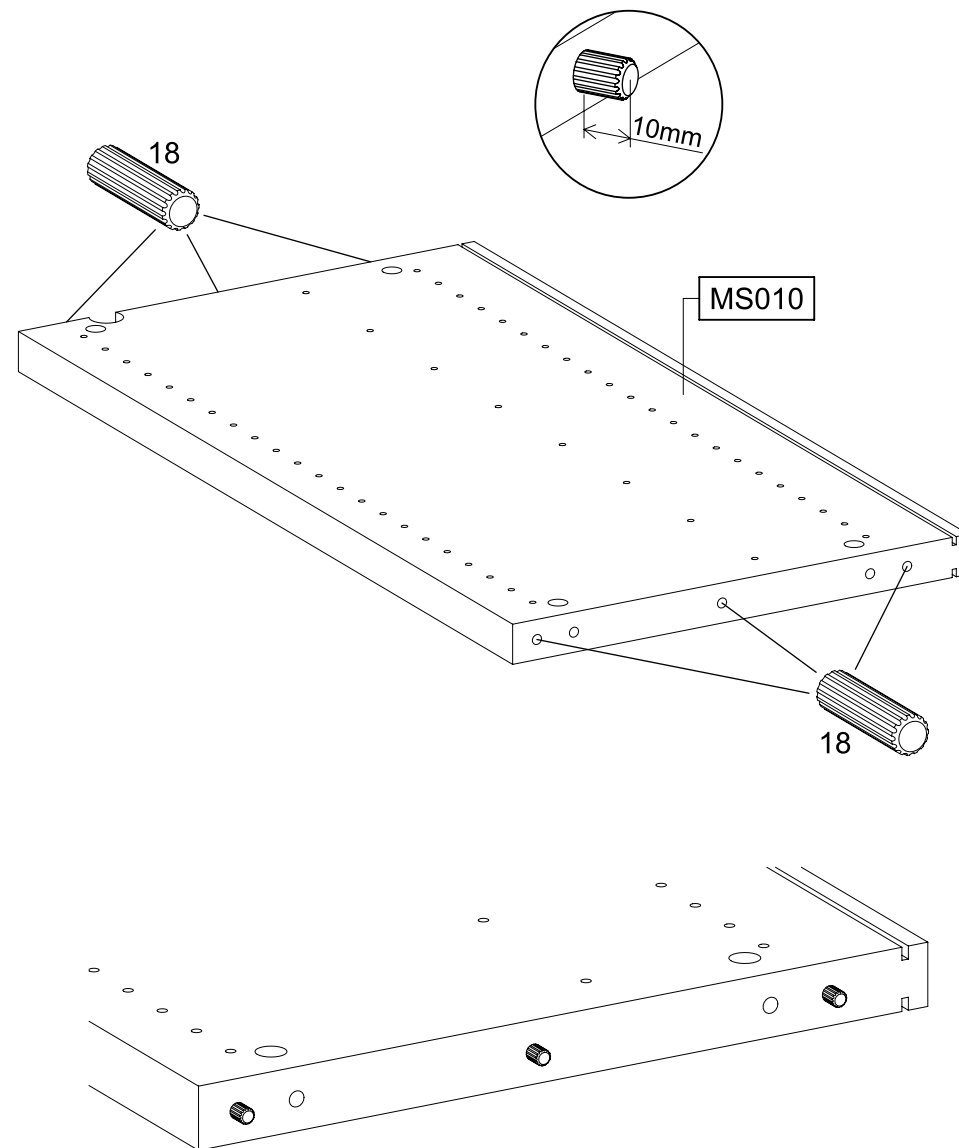
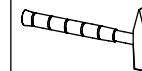
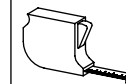


13

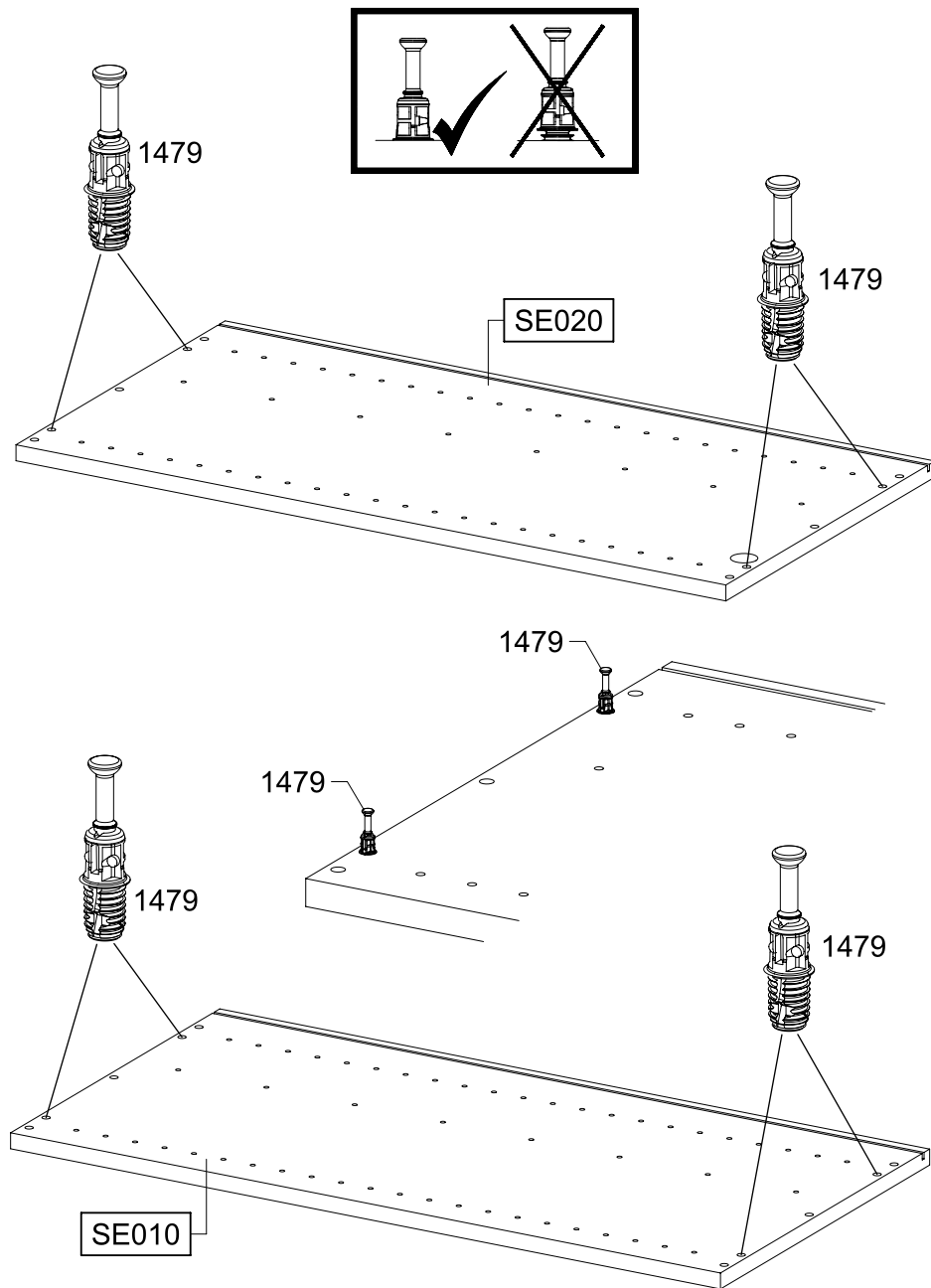

6x

18

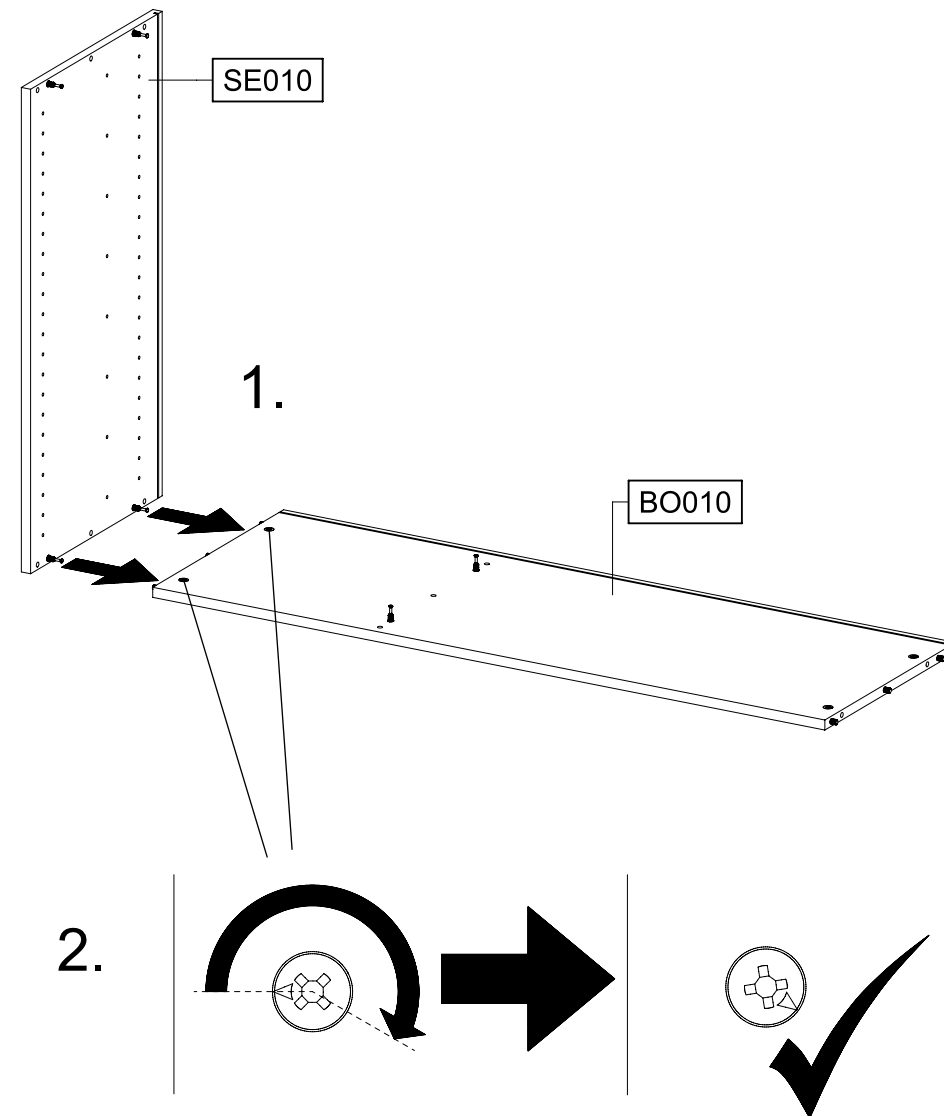
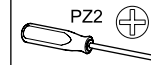
8x30



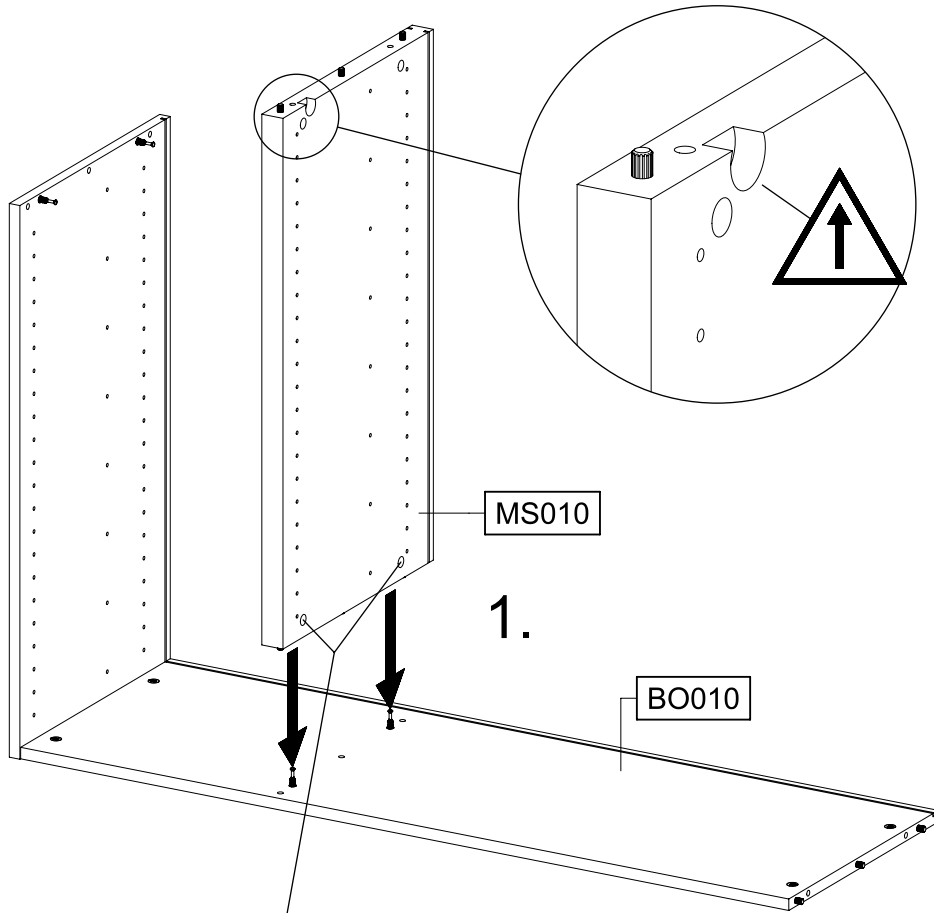
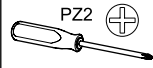
14

8x 1479 

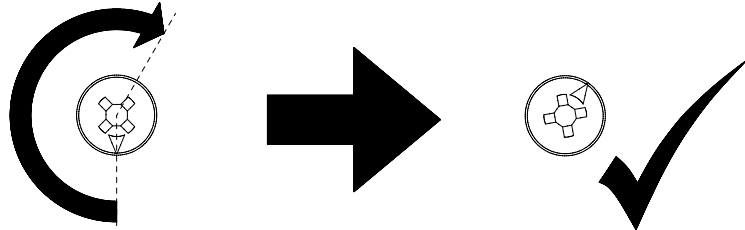
15

PZ2 

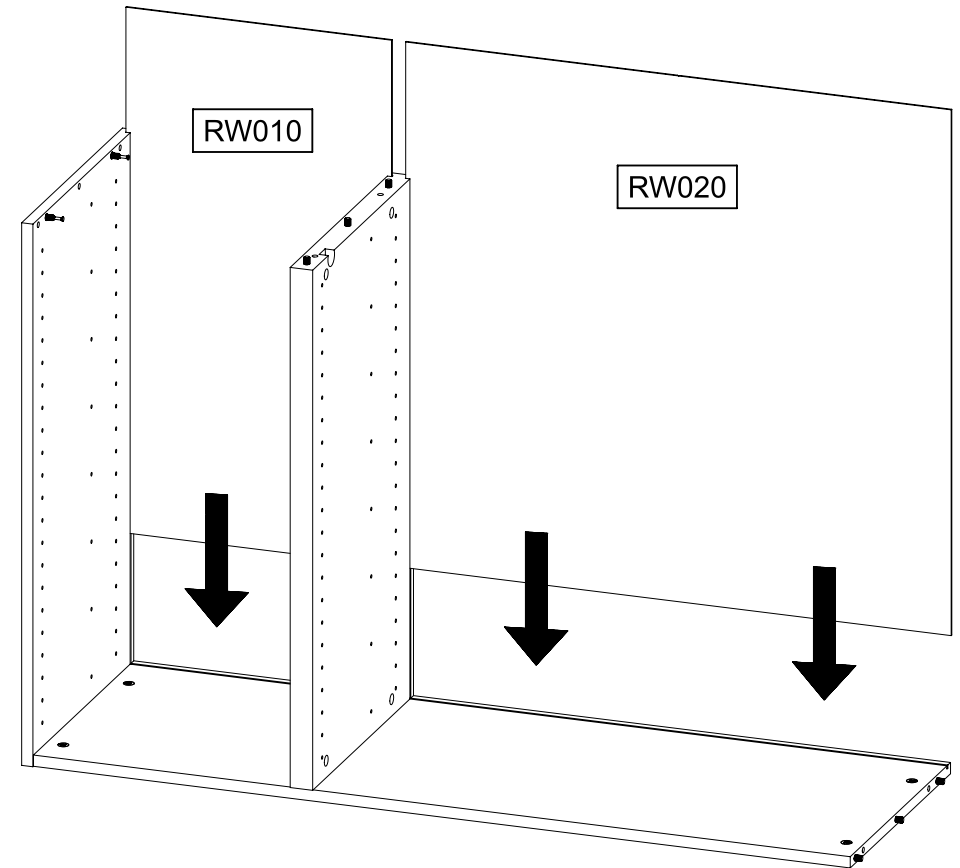
16



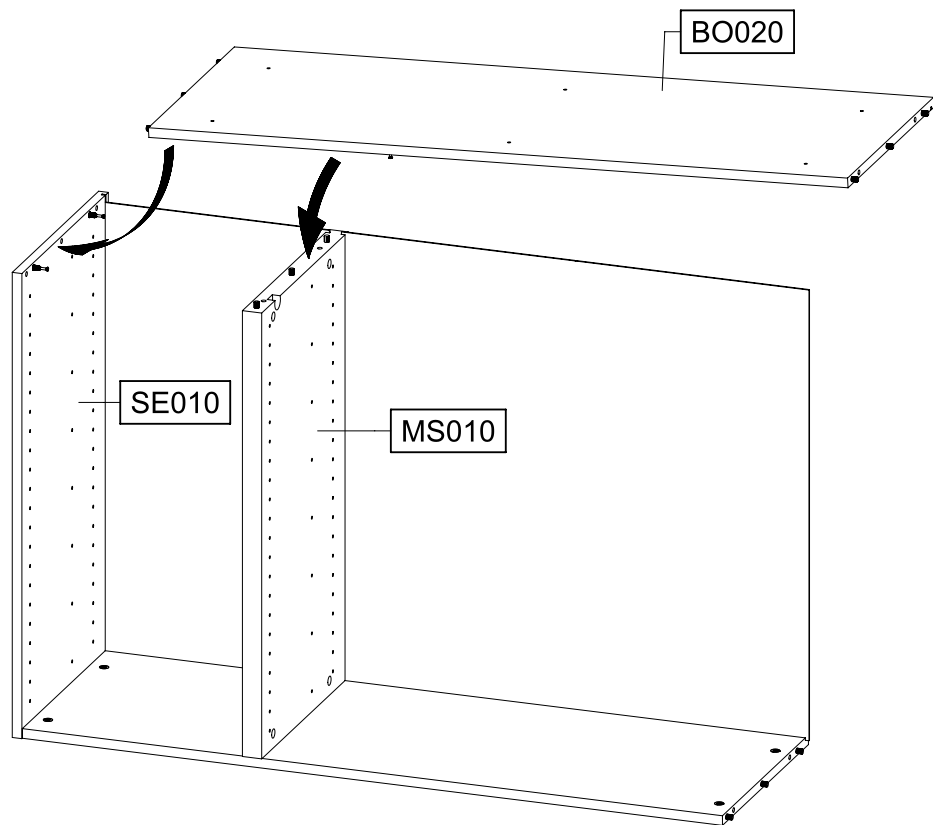
2.



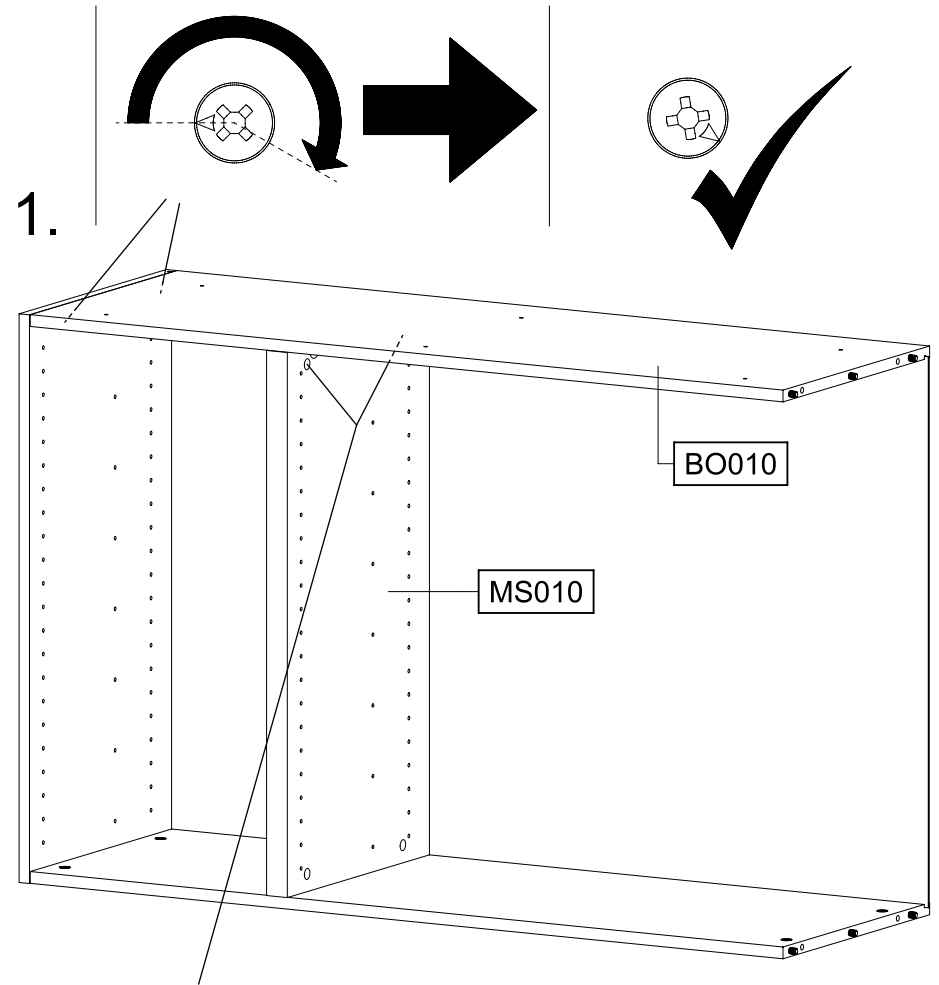
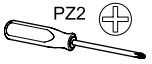
17



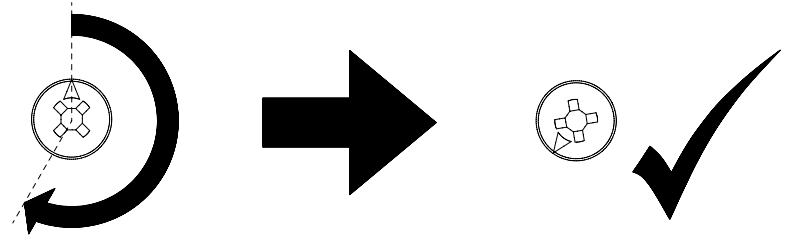
18



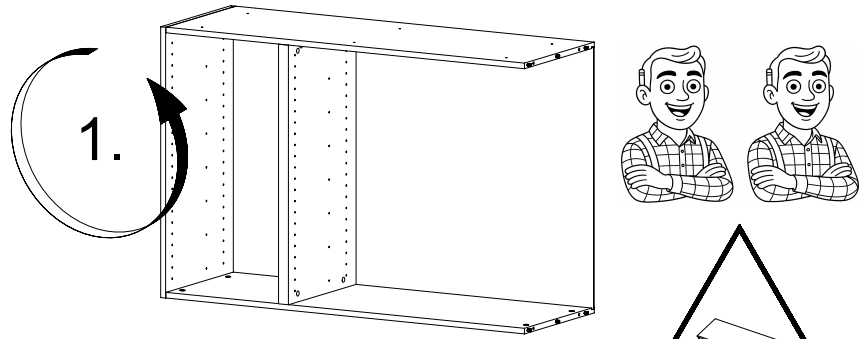
19



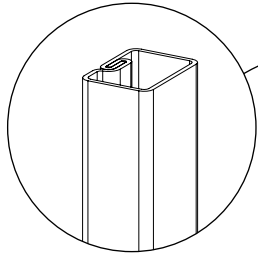
2.



20

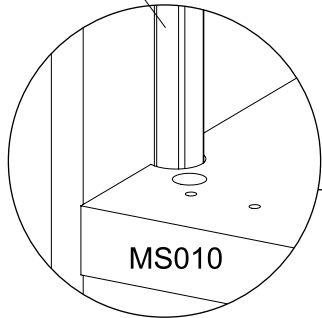


QR010



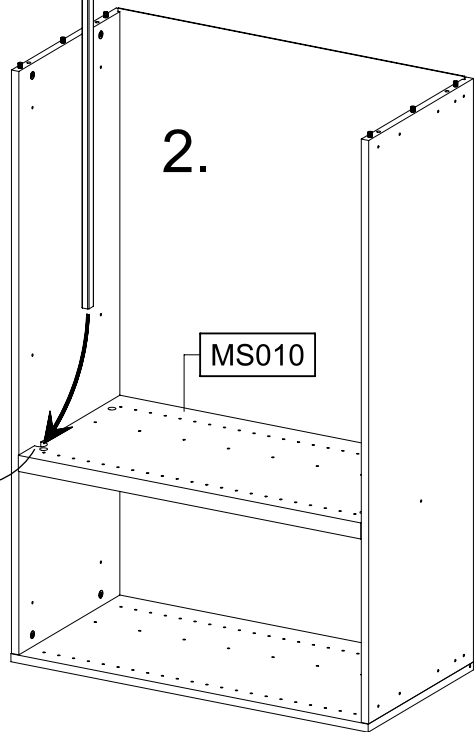
2.

QR010

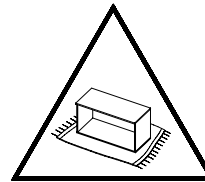
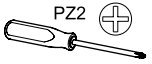


MS010

MS010



21

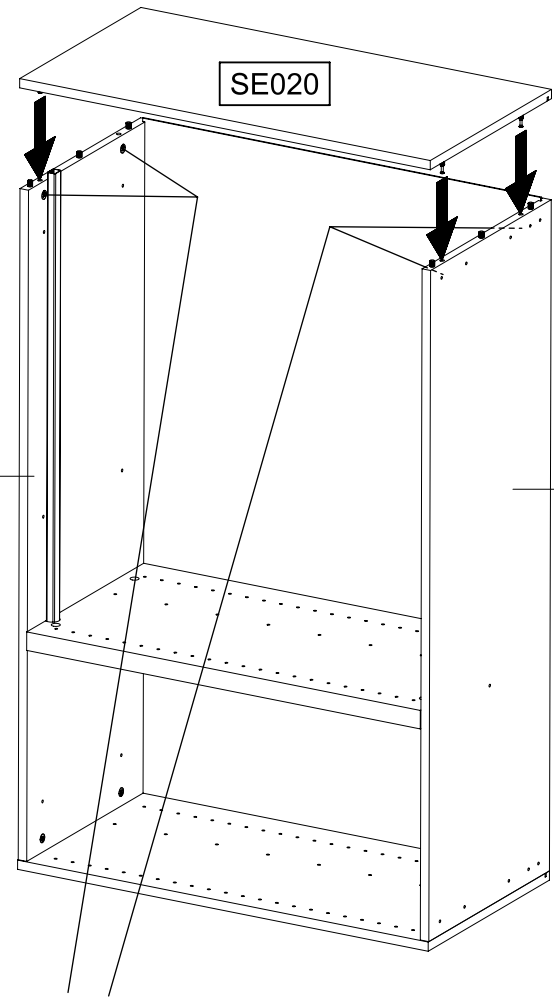


SE020

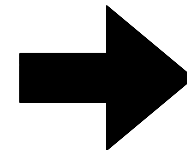
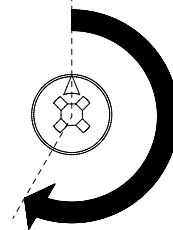
1.

BO020

BO010



2.

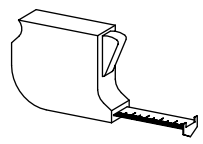
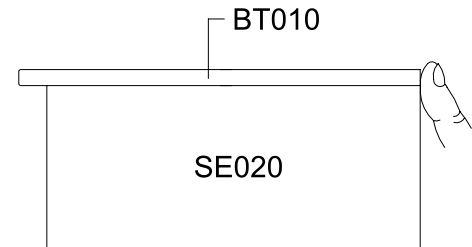
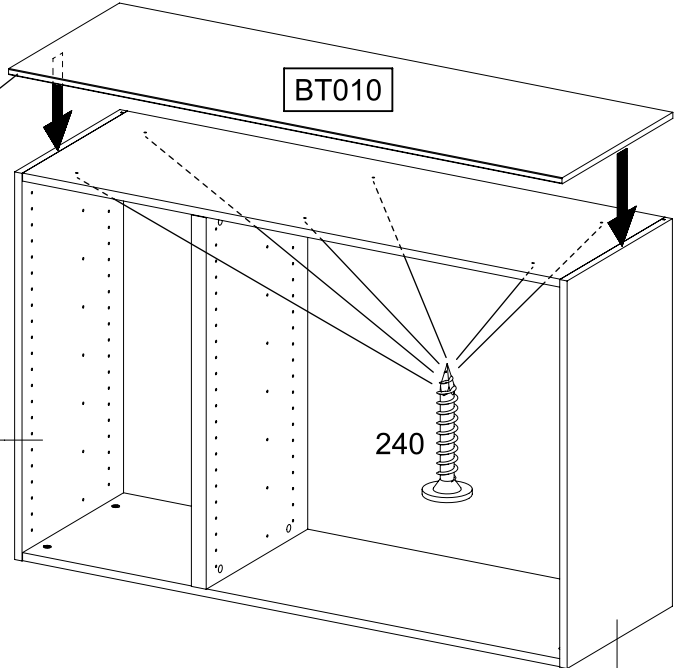
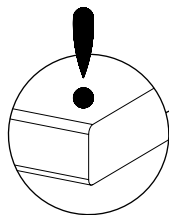
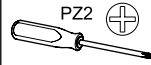
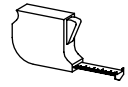


22

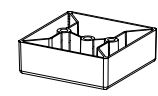
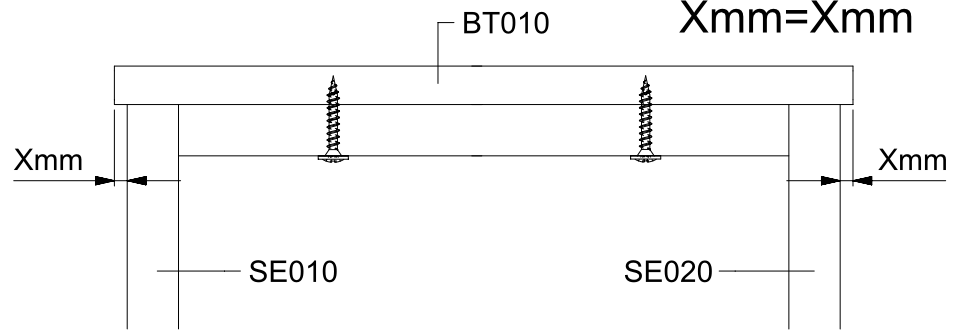
6x

240

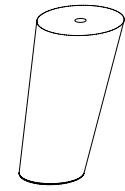
4x25



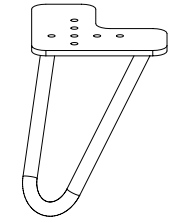
Xmm=Xmm



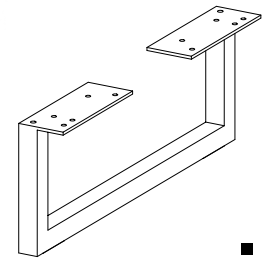
1207



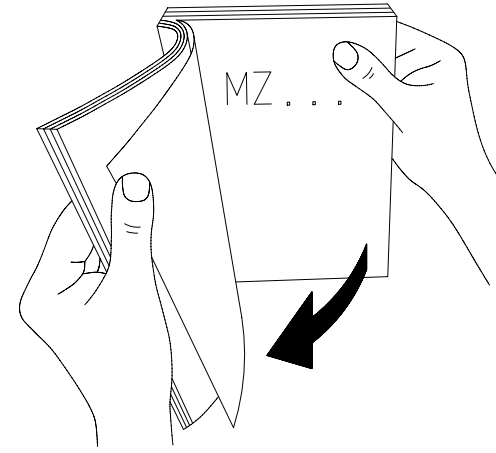
1481



1345



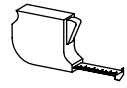
1348



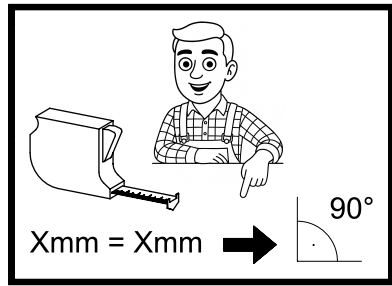
23

4x

45

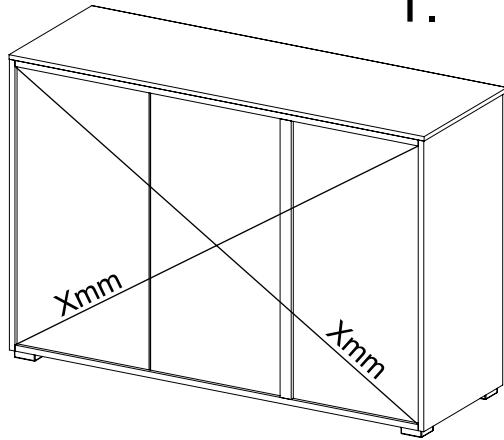


PZ2

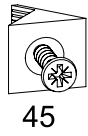


90°

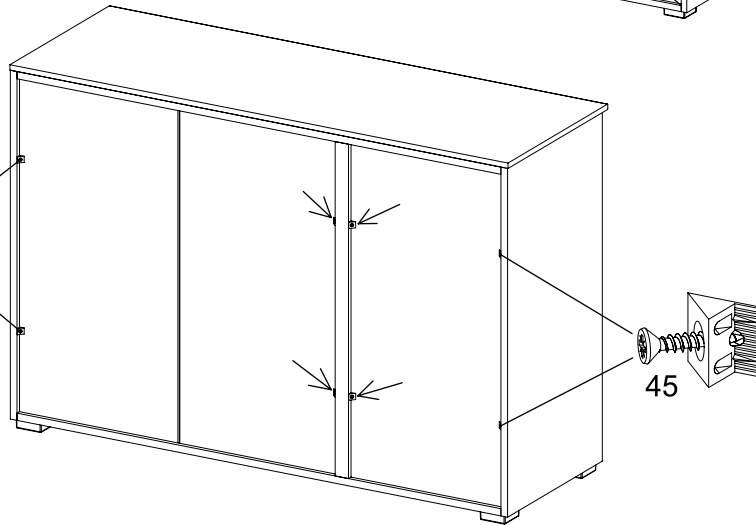
1.



2.

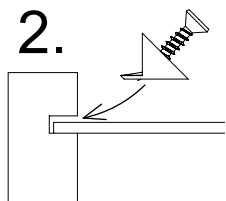


45

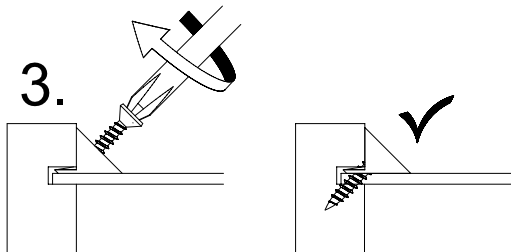


45

2.



3.



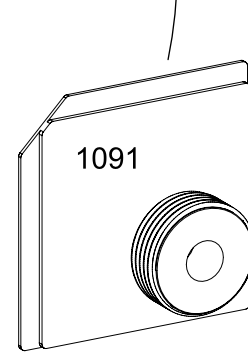
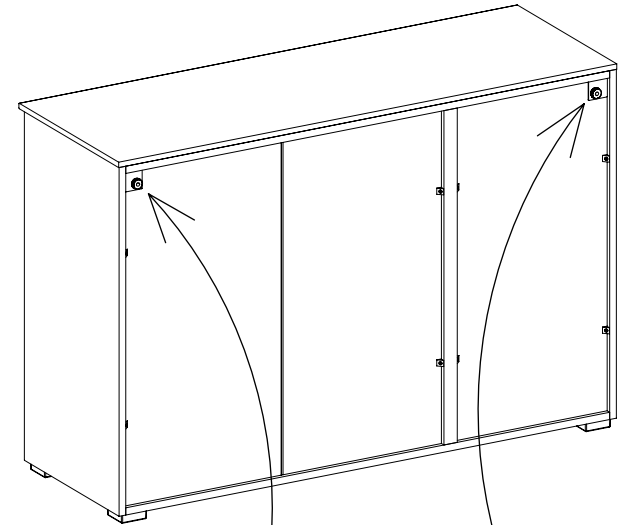
24

2x

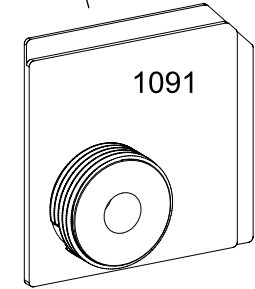
1091



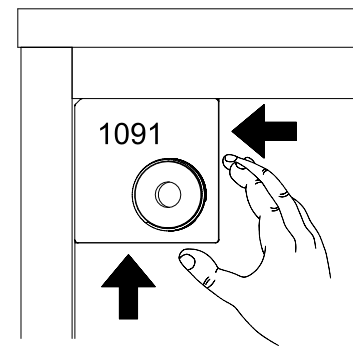
SCAN ME



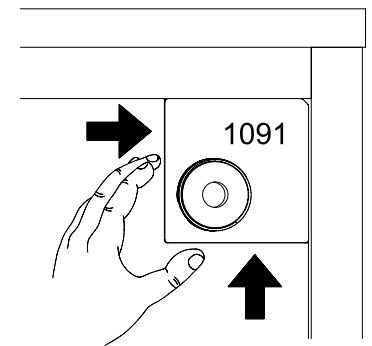
1091



1091



1091

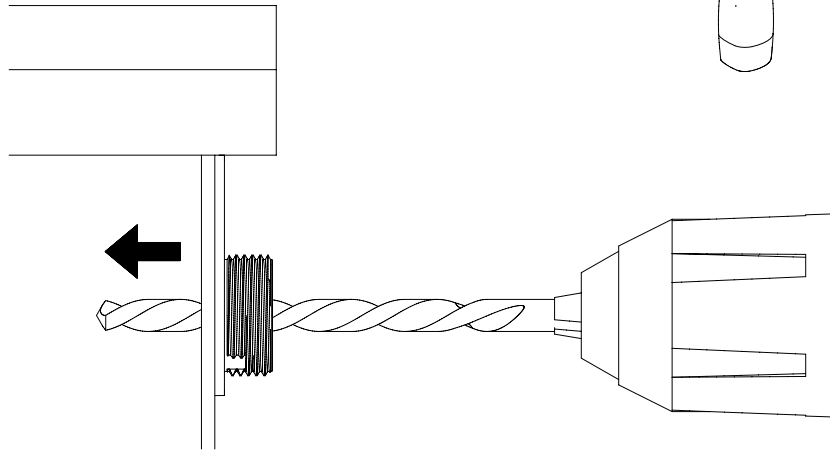
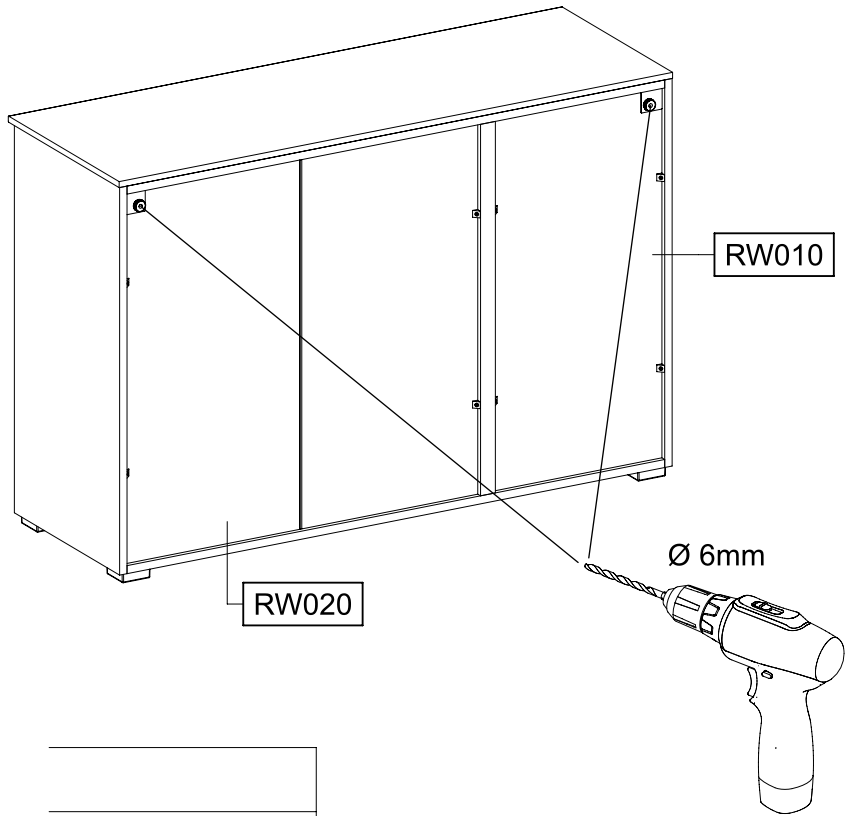
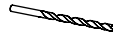


1091

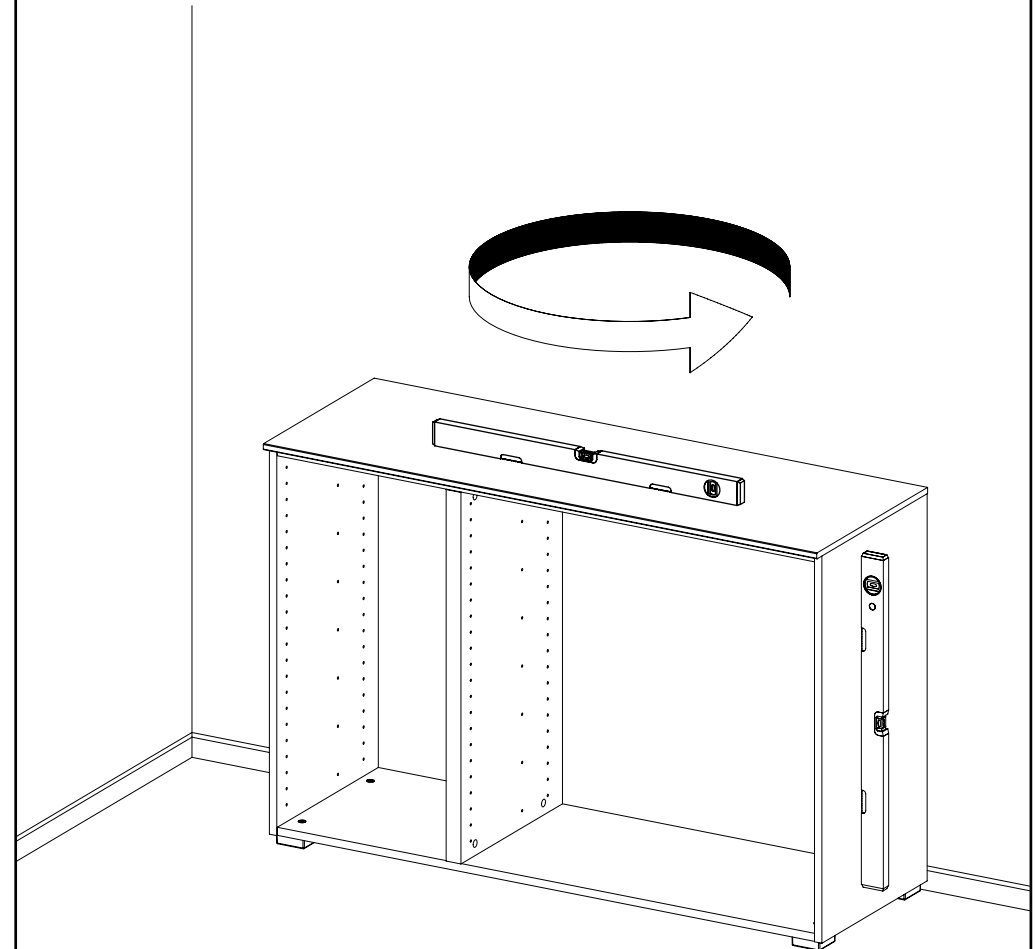
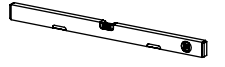
25

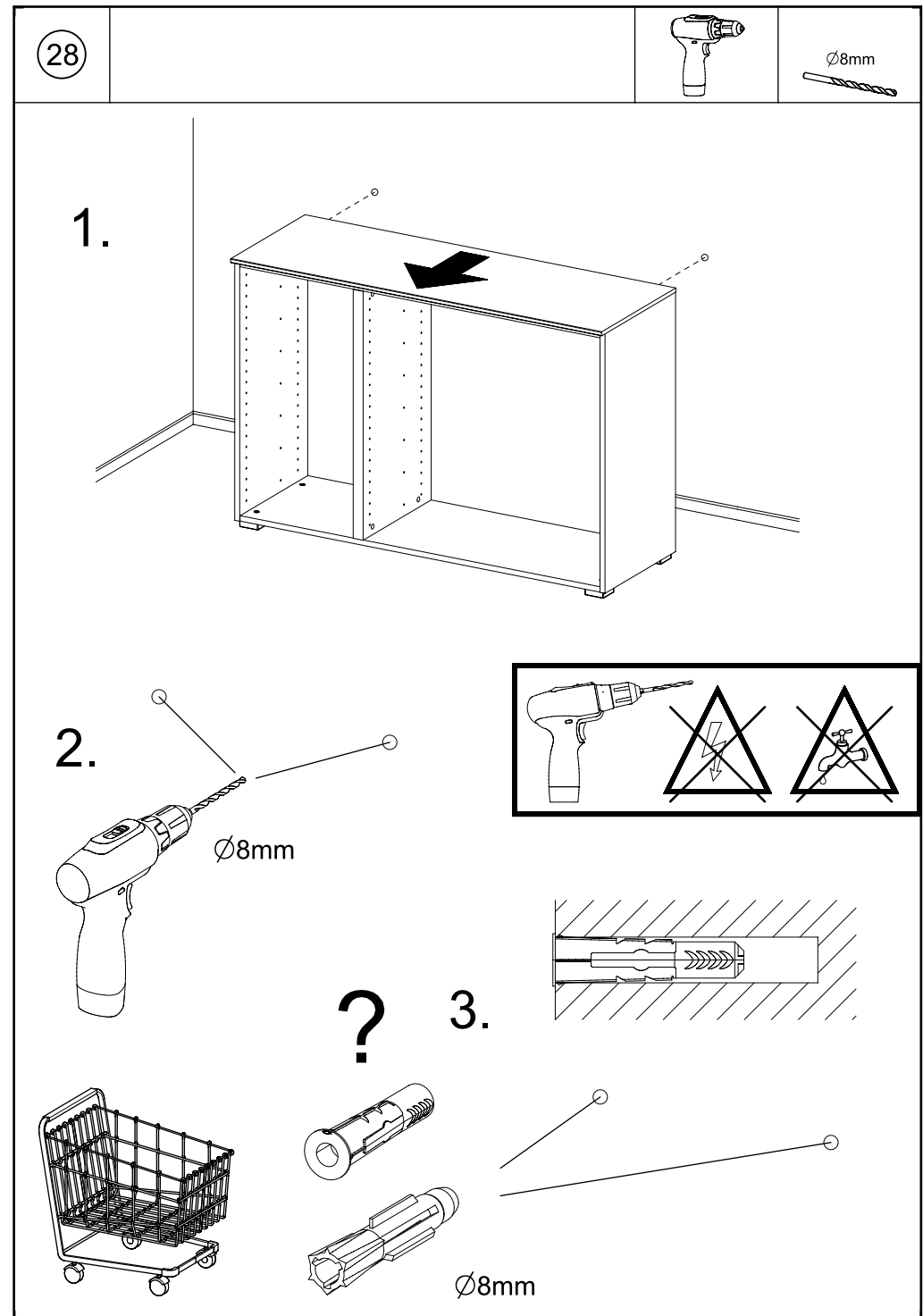
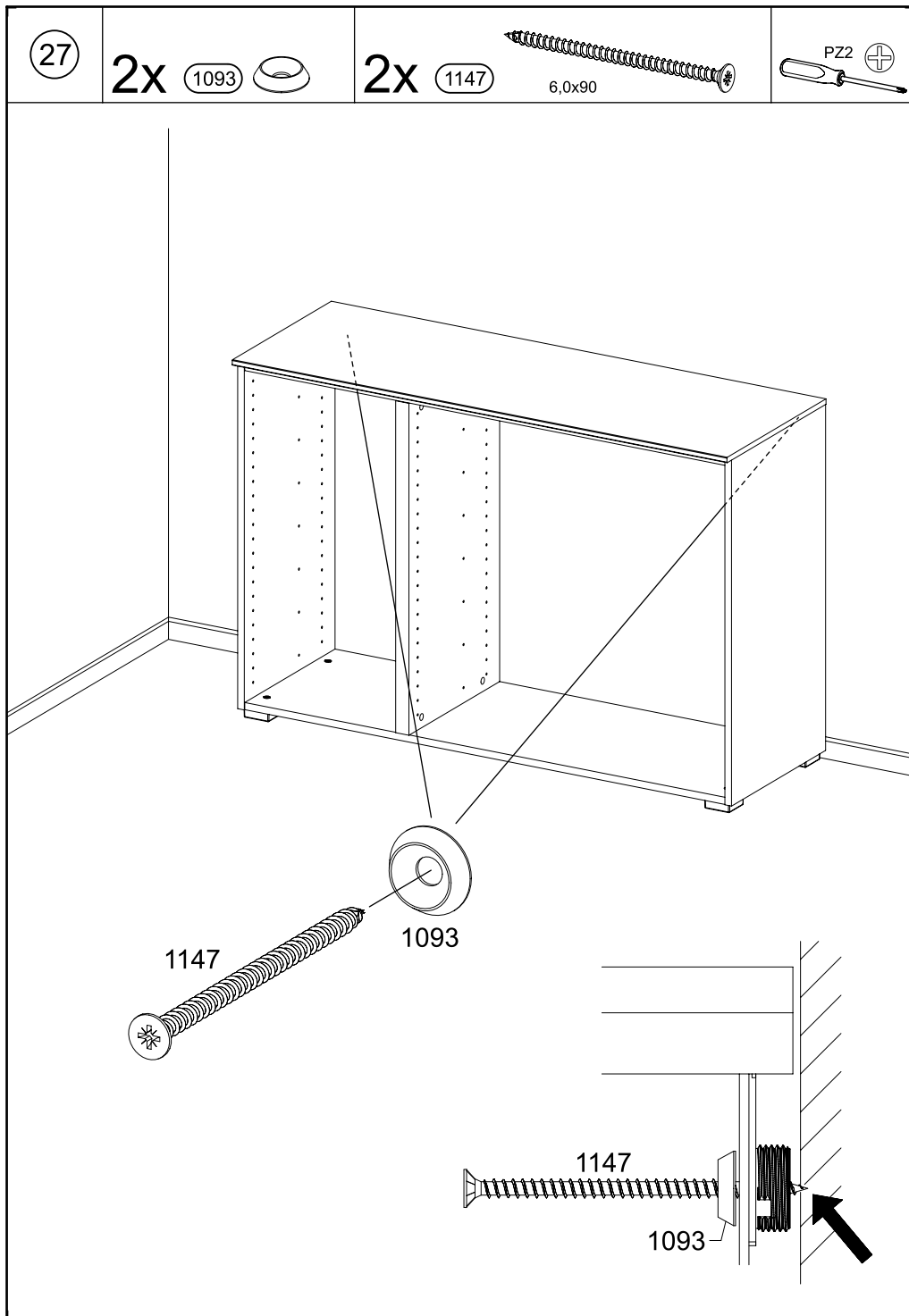


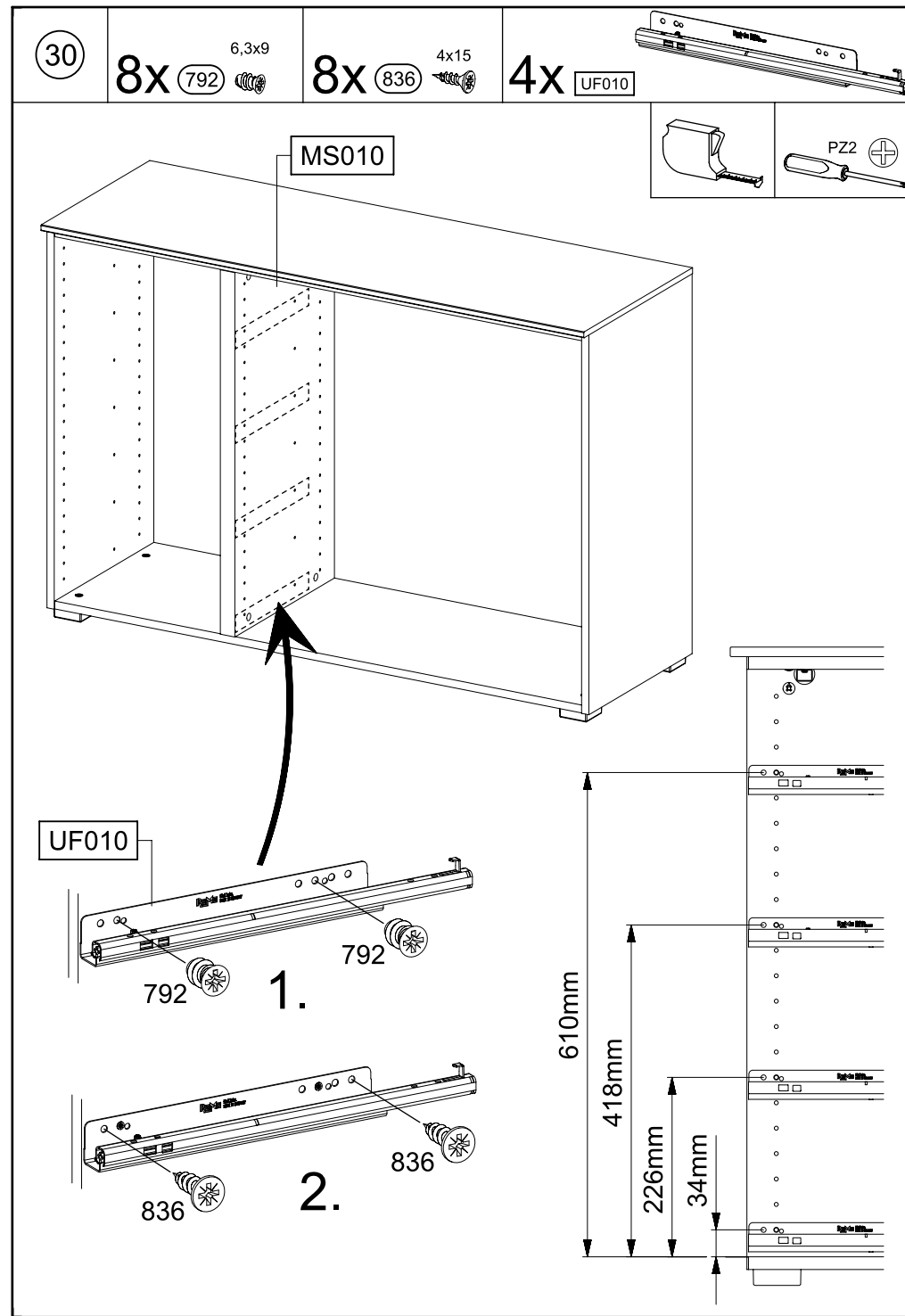
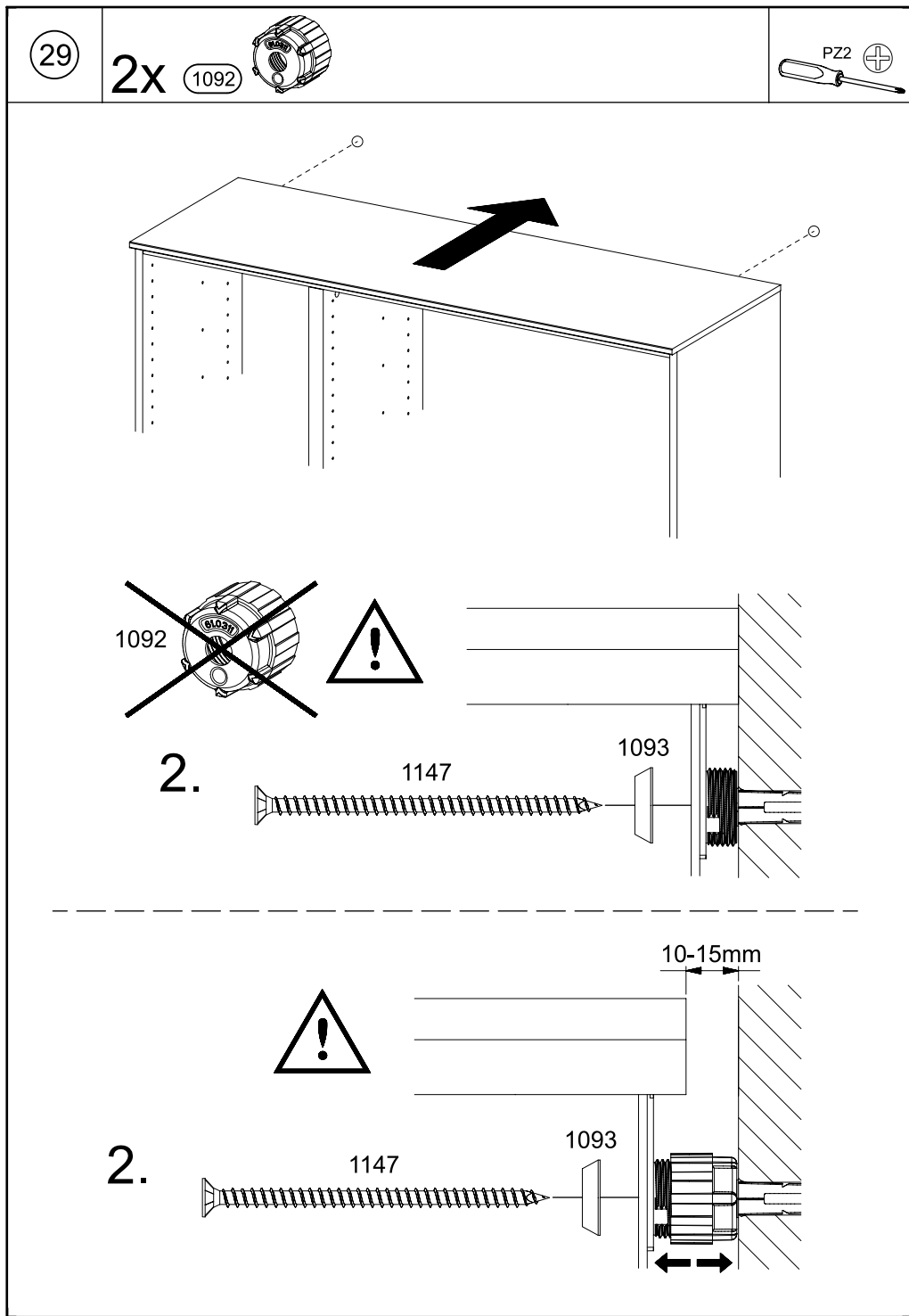
Ø6mm



26





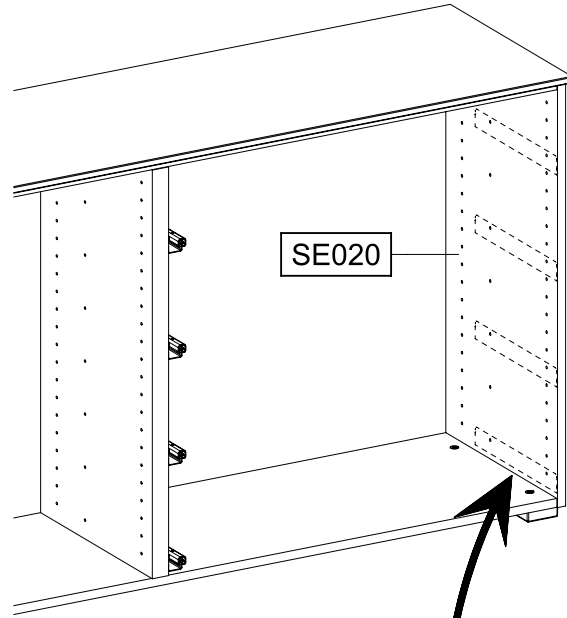
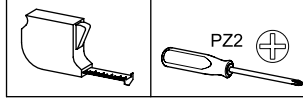
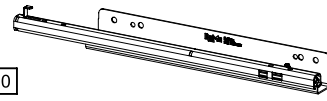


31

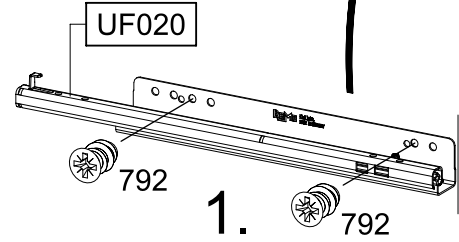
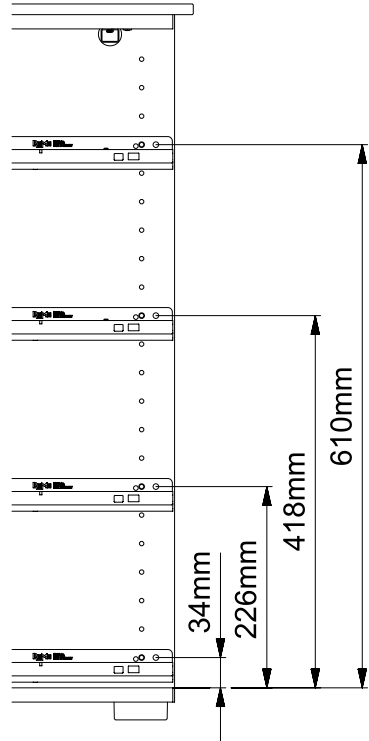
8x 792 6,3x9

8x 836 4x15

4x UF020



SE020

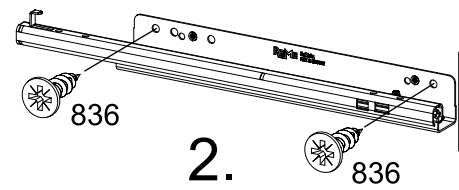


UF020

792

792

1.



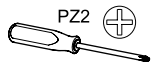
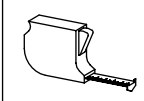
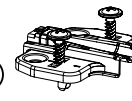
836

836

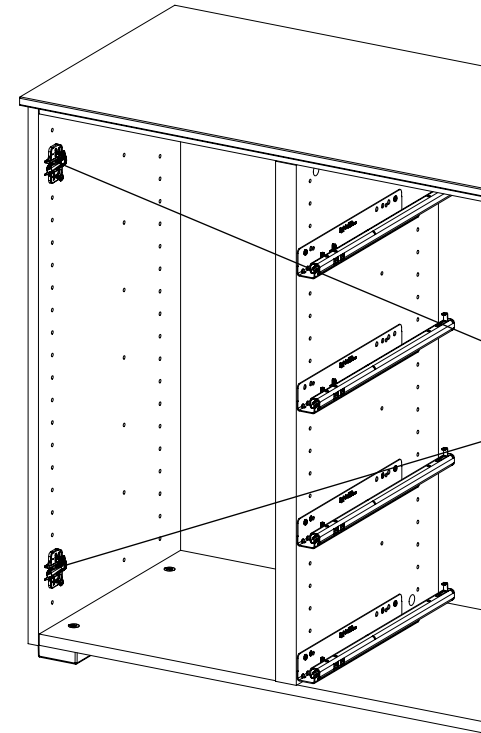
2.

32

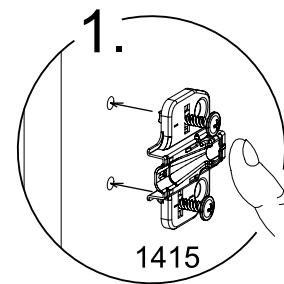
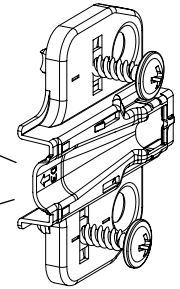
2x 1415



SCAN ME

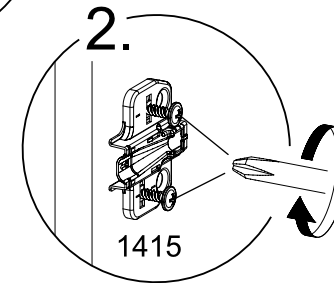


1415



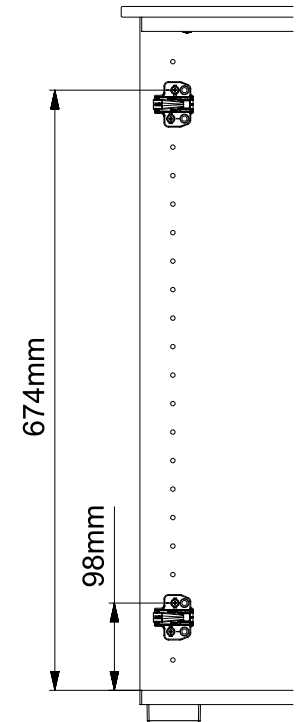
1.

1415



2.

1415



674mm

98mm

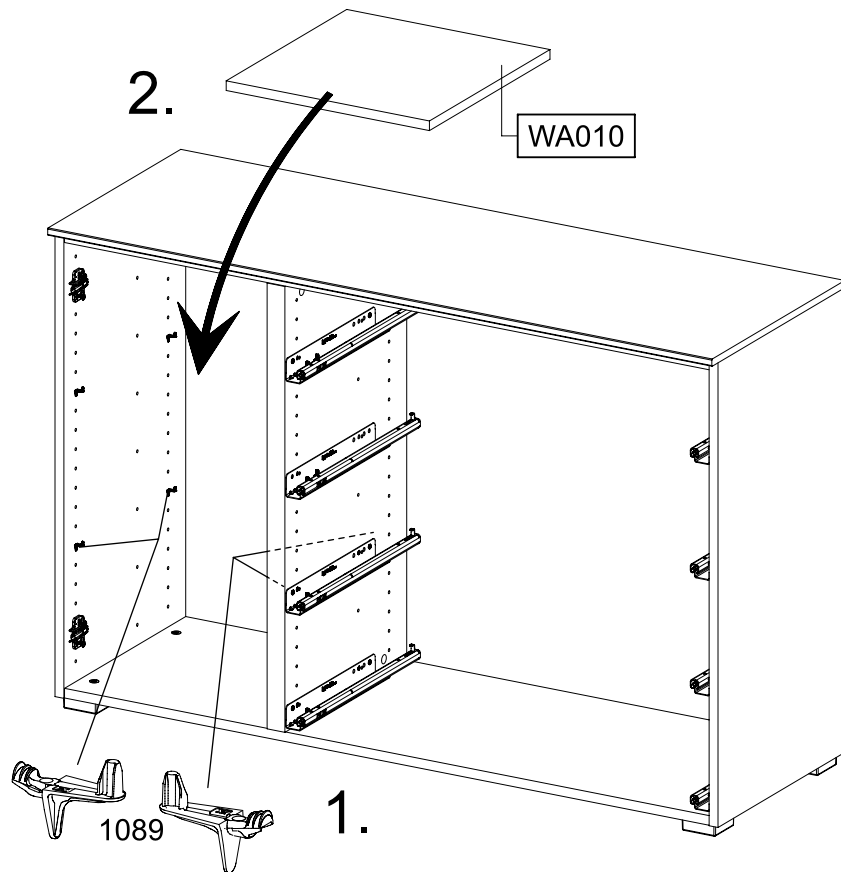
33

8x 1089



2.

WA010

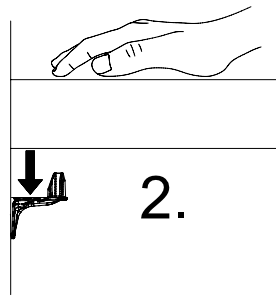
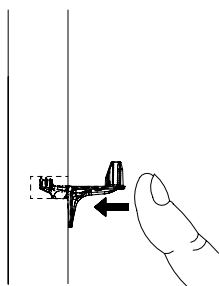


1089

1.



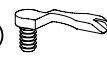
1.



2.

34

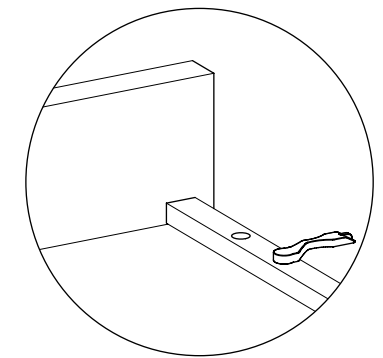
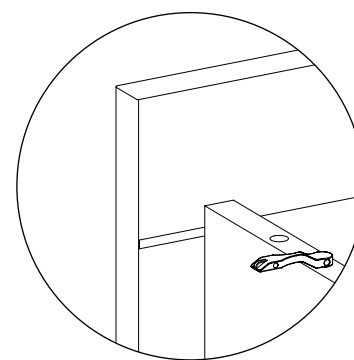
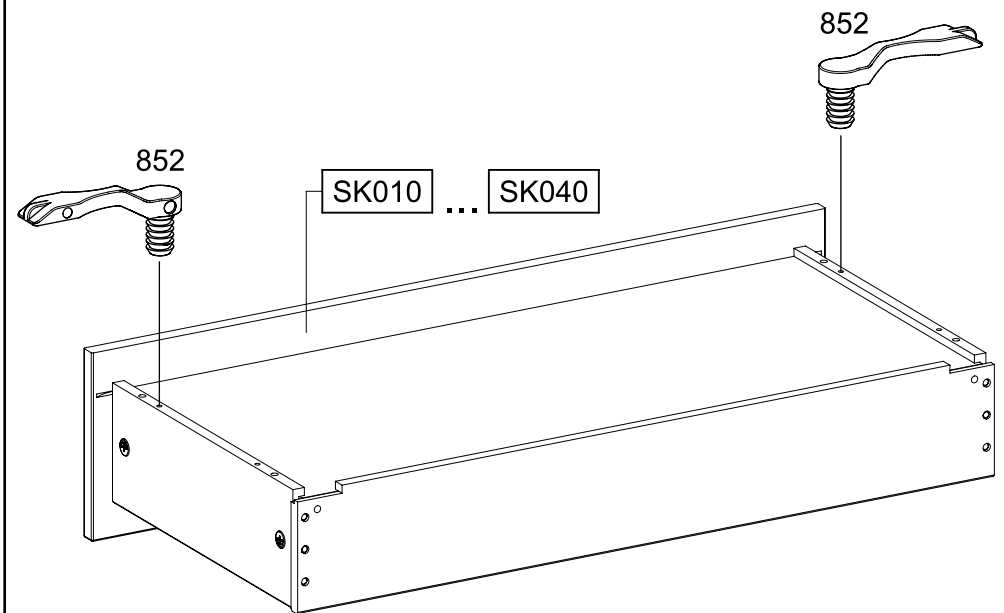
8x 852



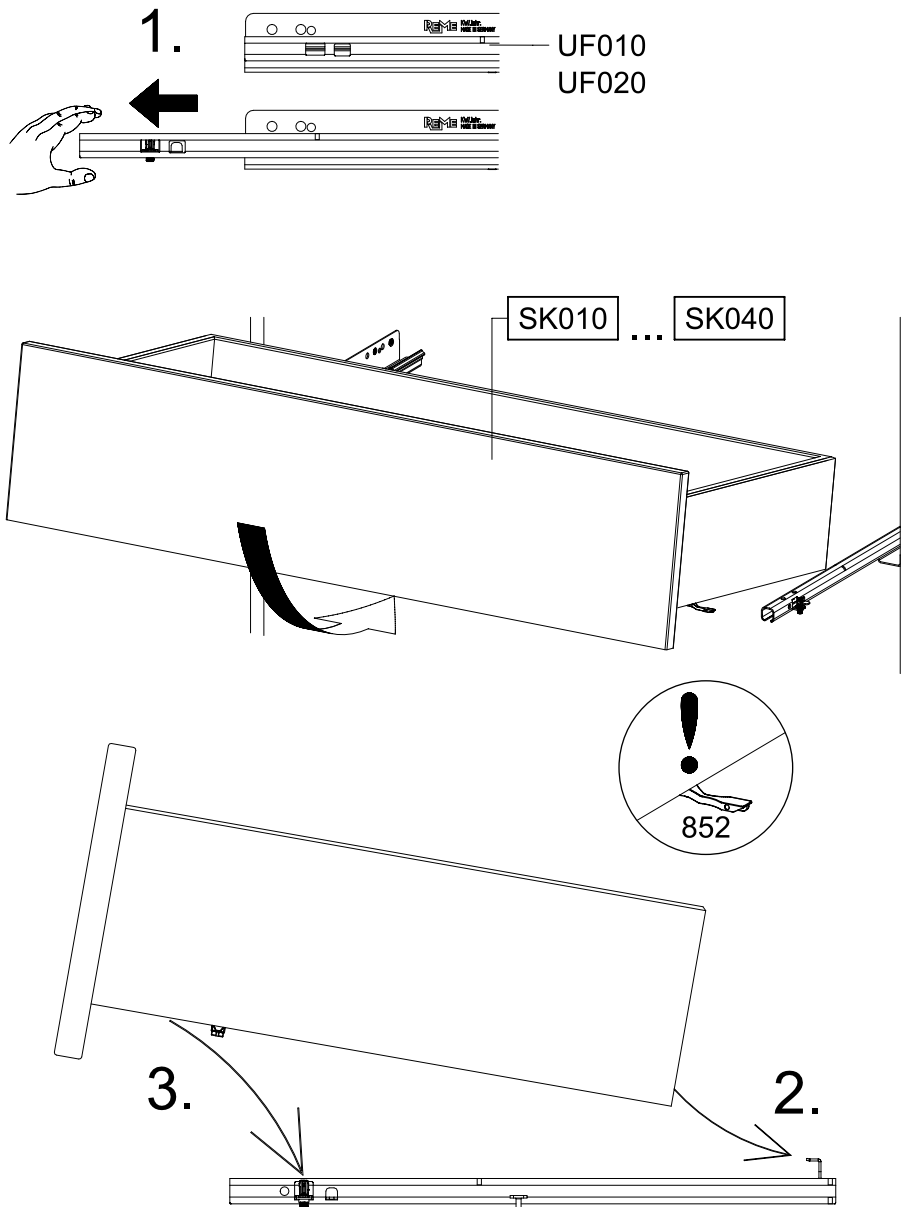
852

852

SK010 ... SK040

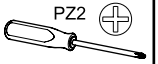
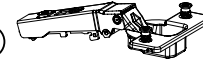


35

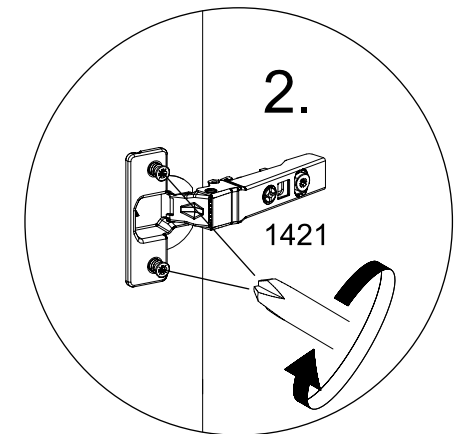
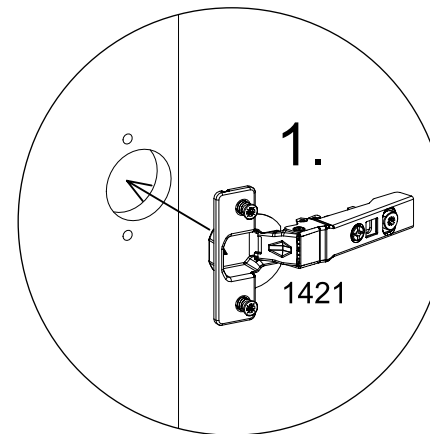
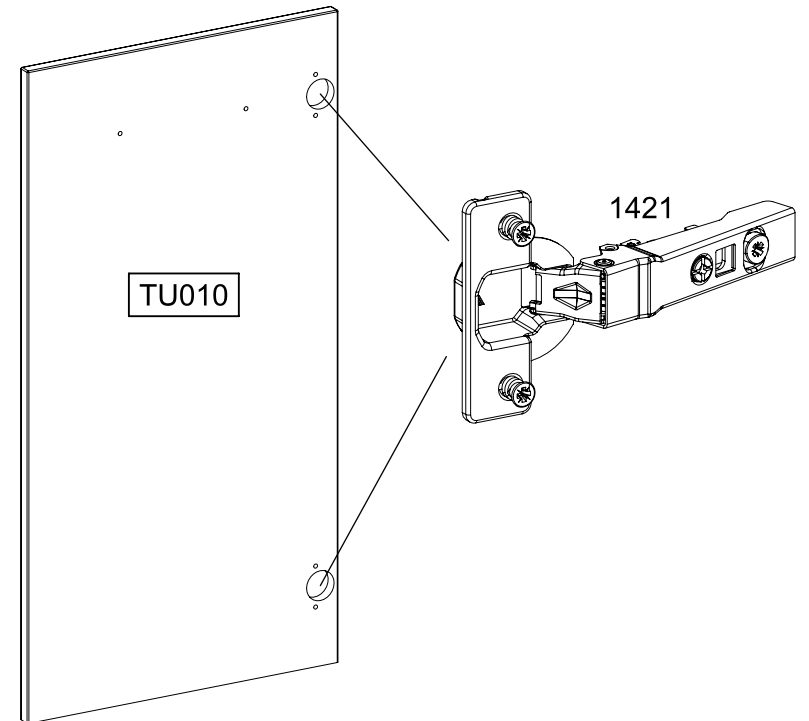


36

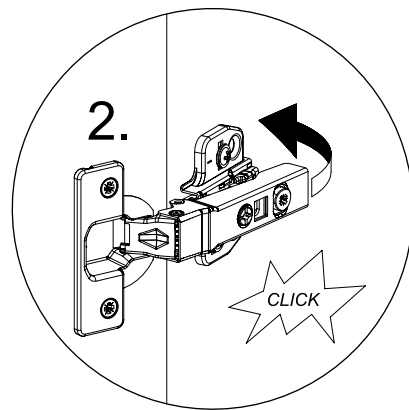
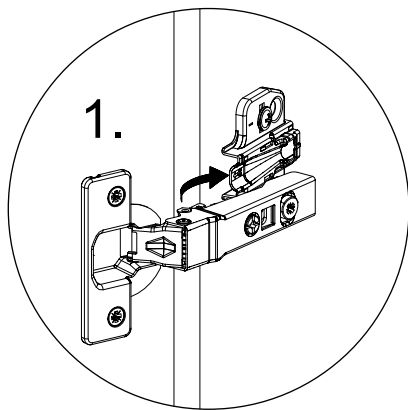
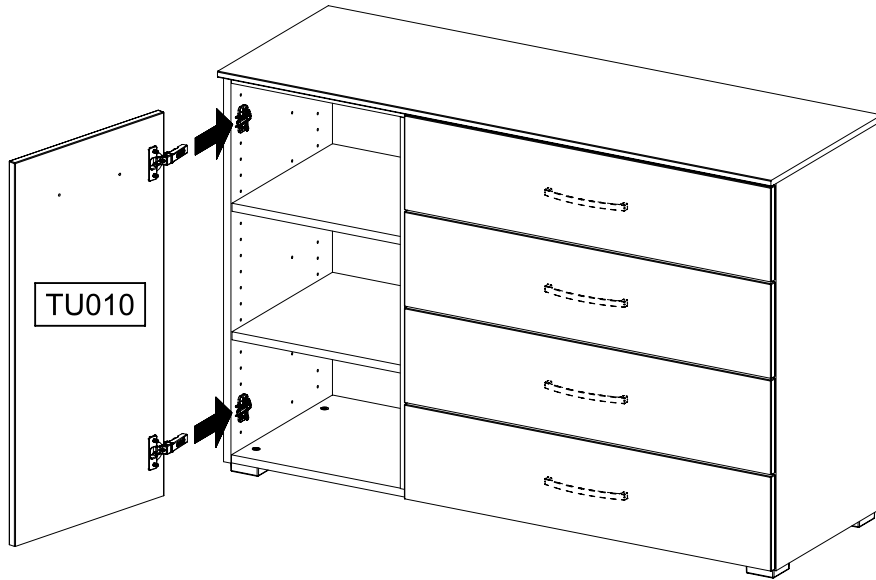
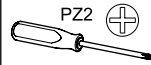
2x 1421



SCAN ME



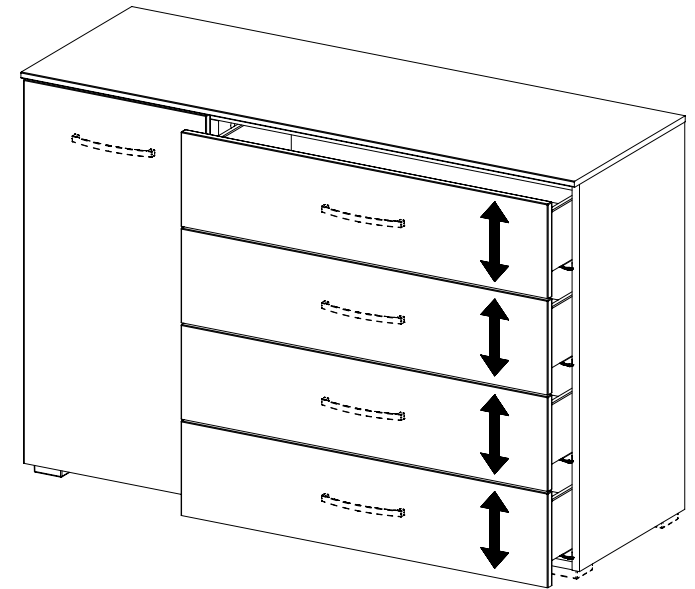
37



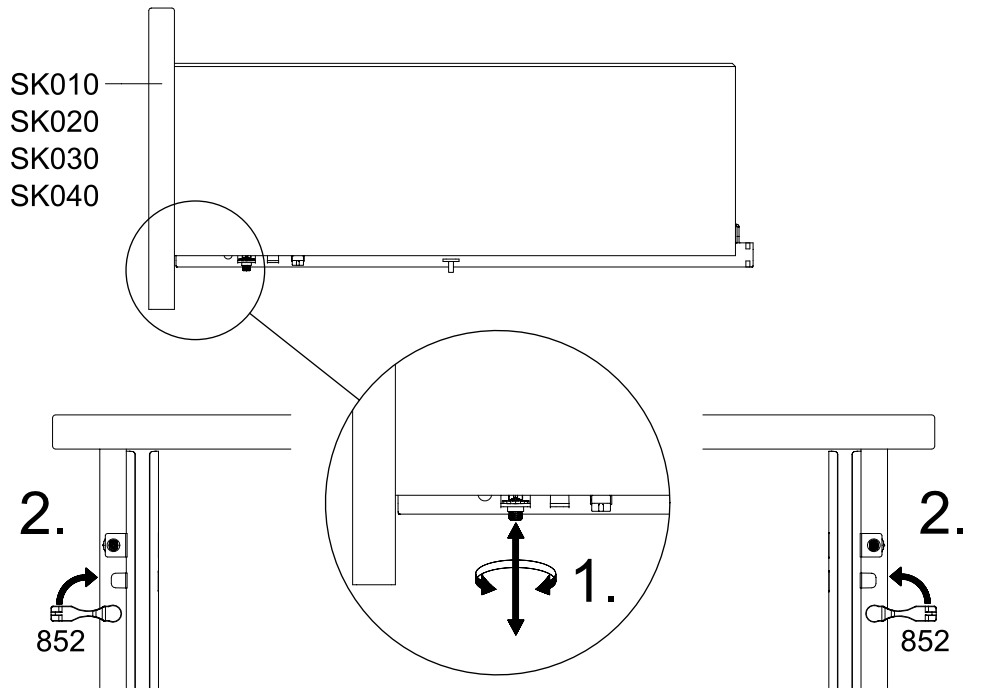
38



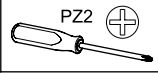
SCAN ME



SK010
SK020
SK030
SK040



39



SCAN ME

