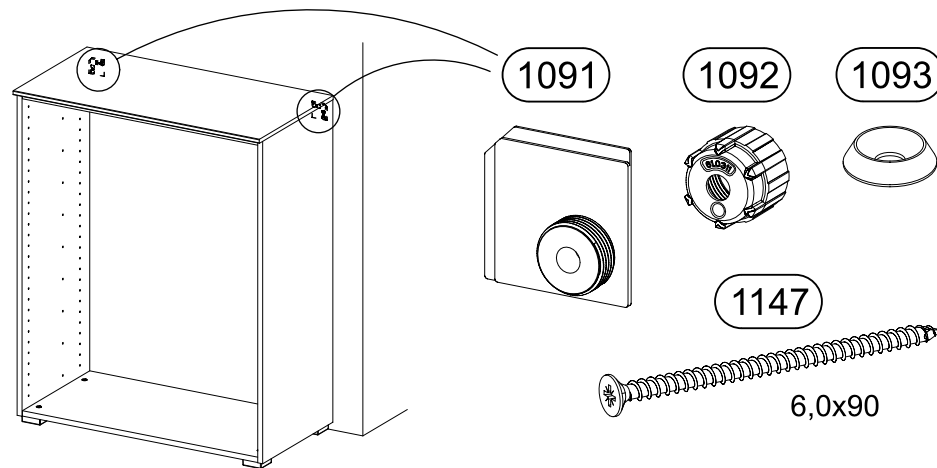
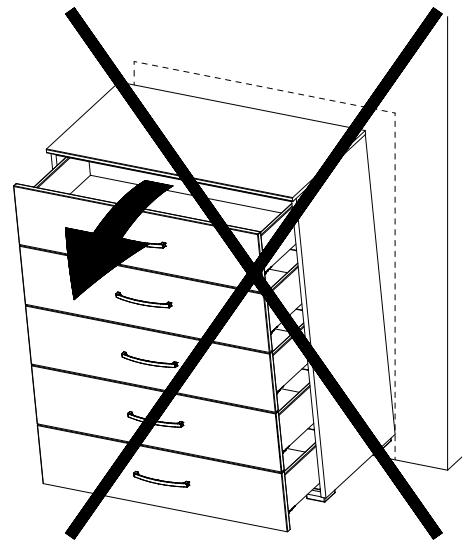
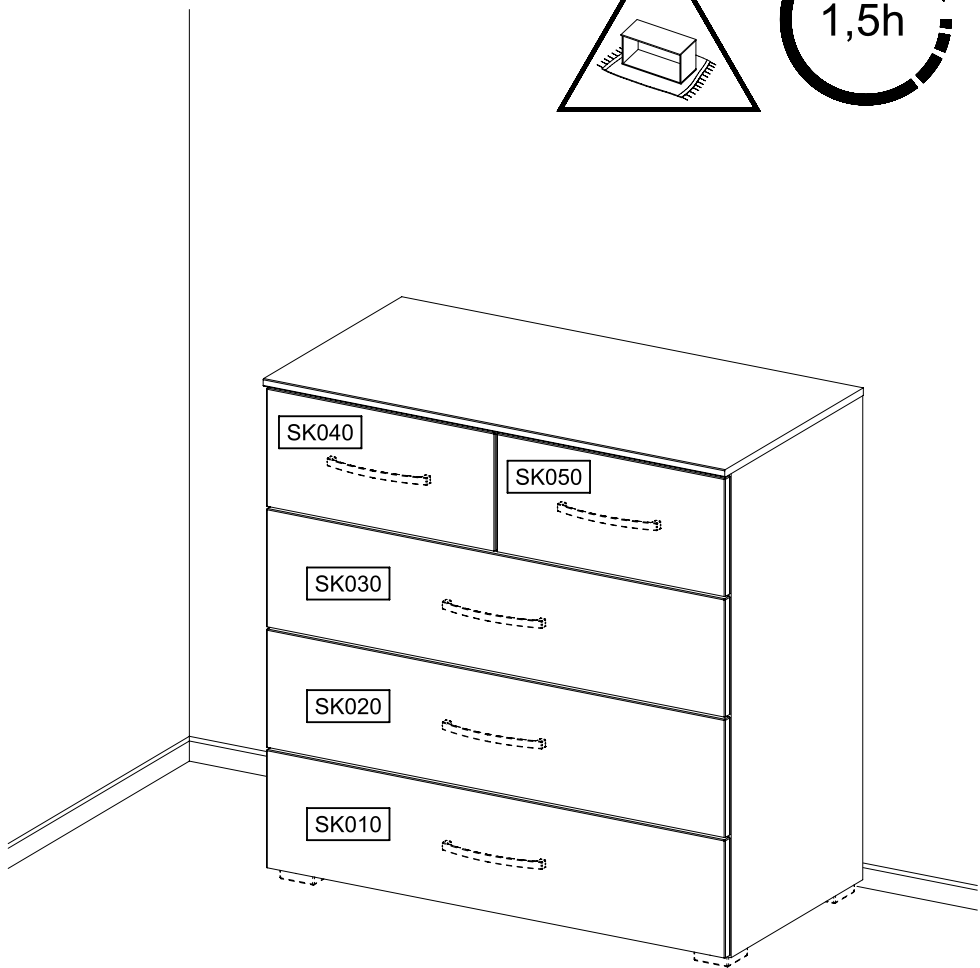
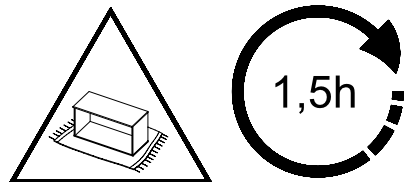
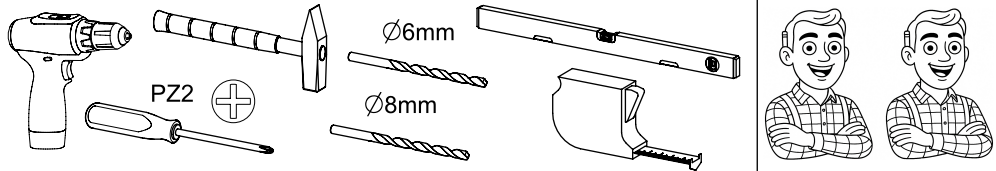


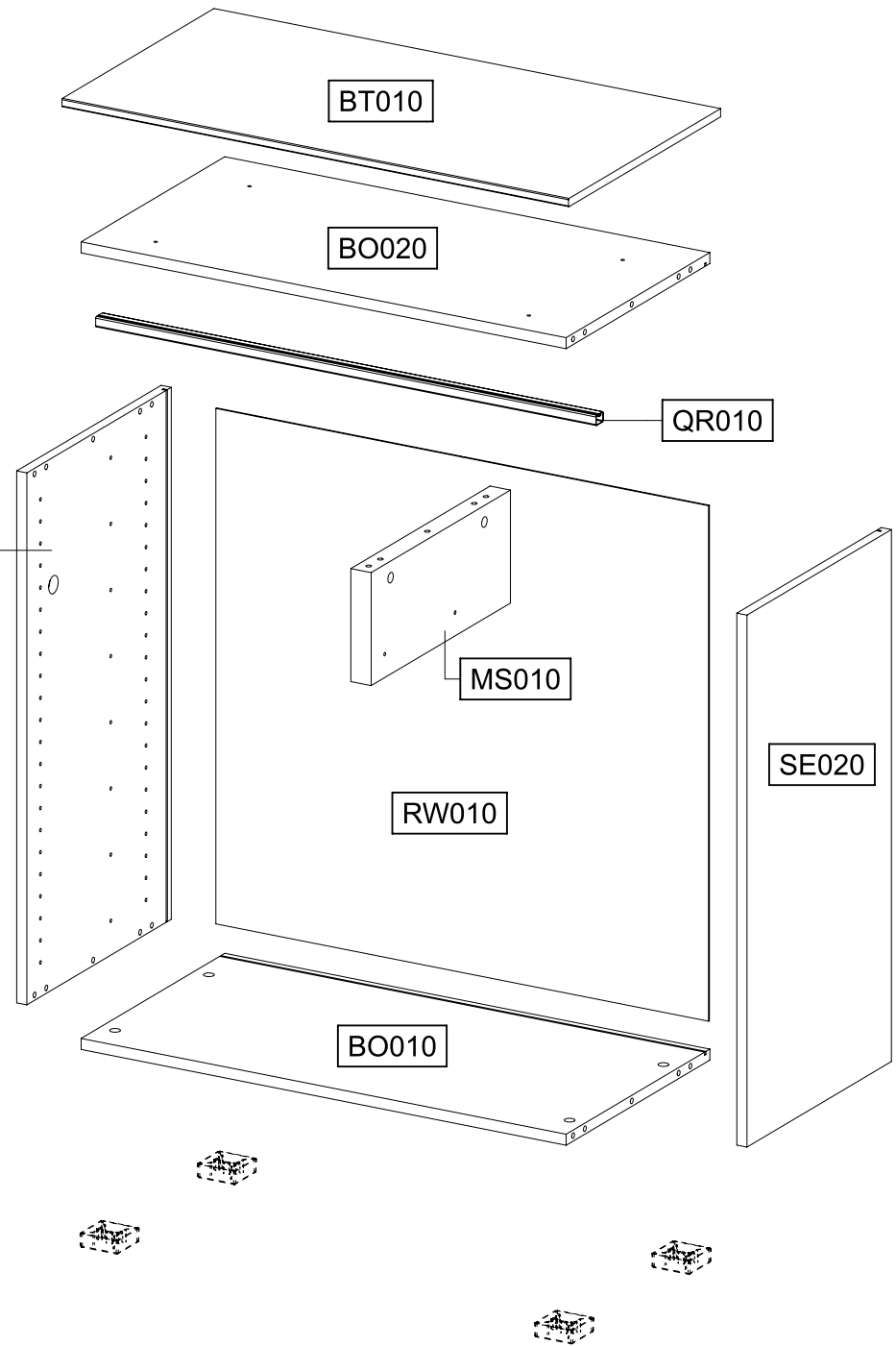
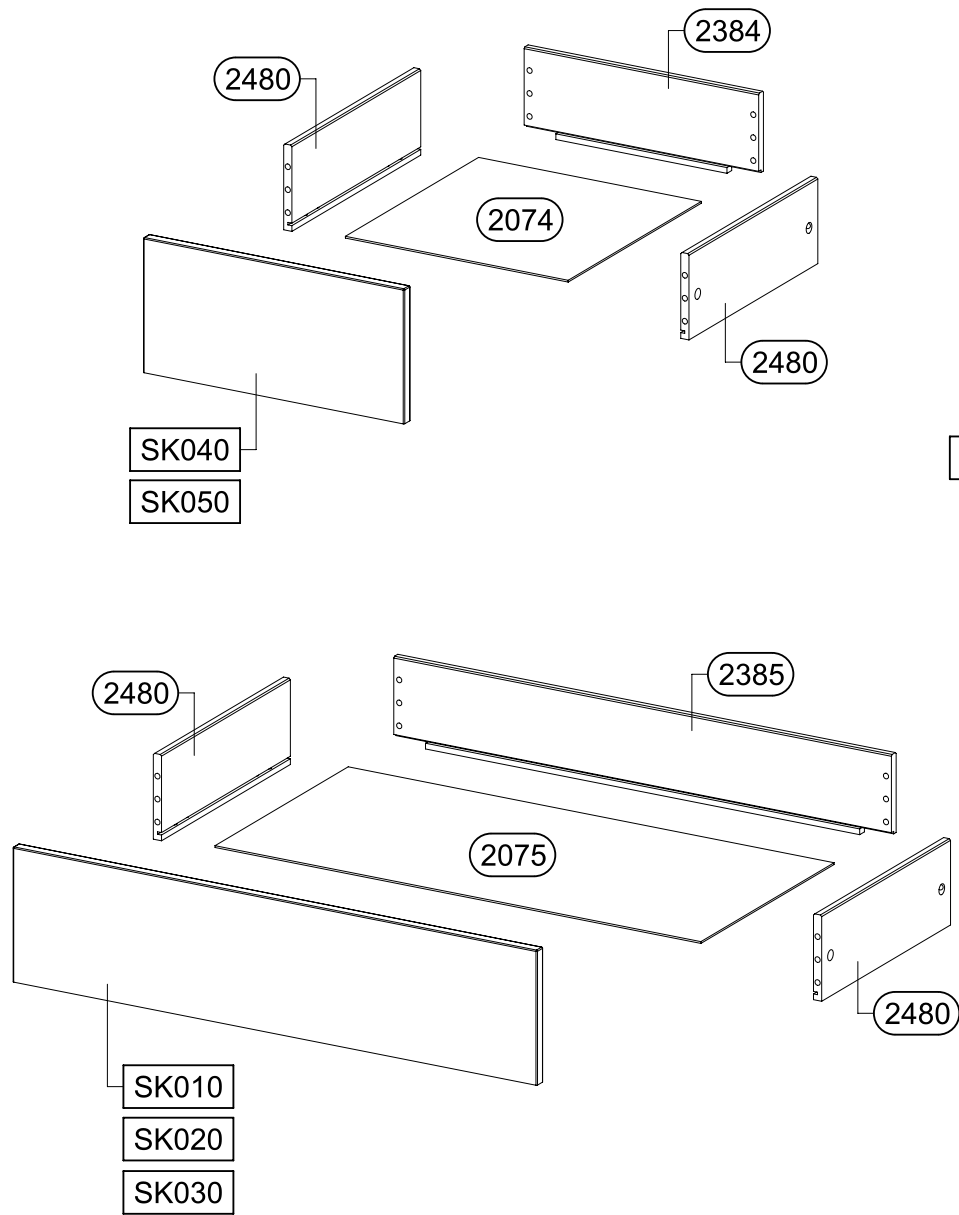
# M3098\_02

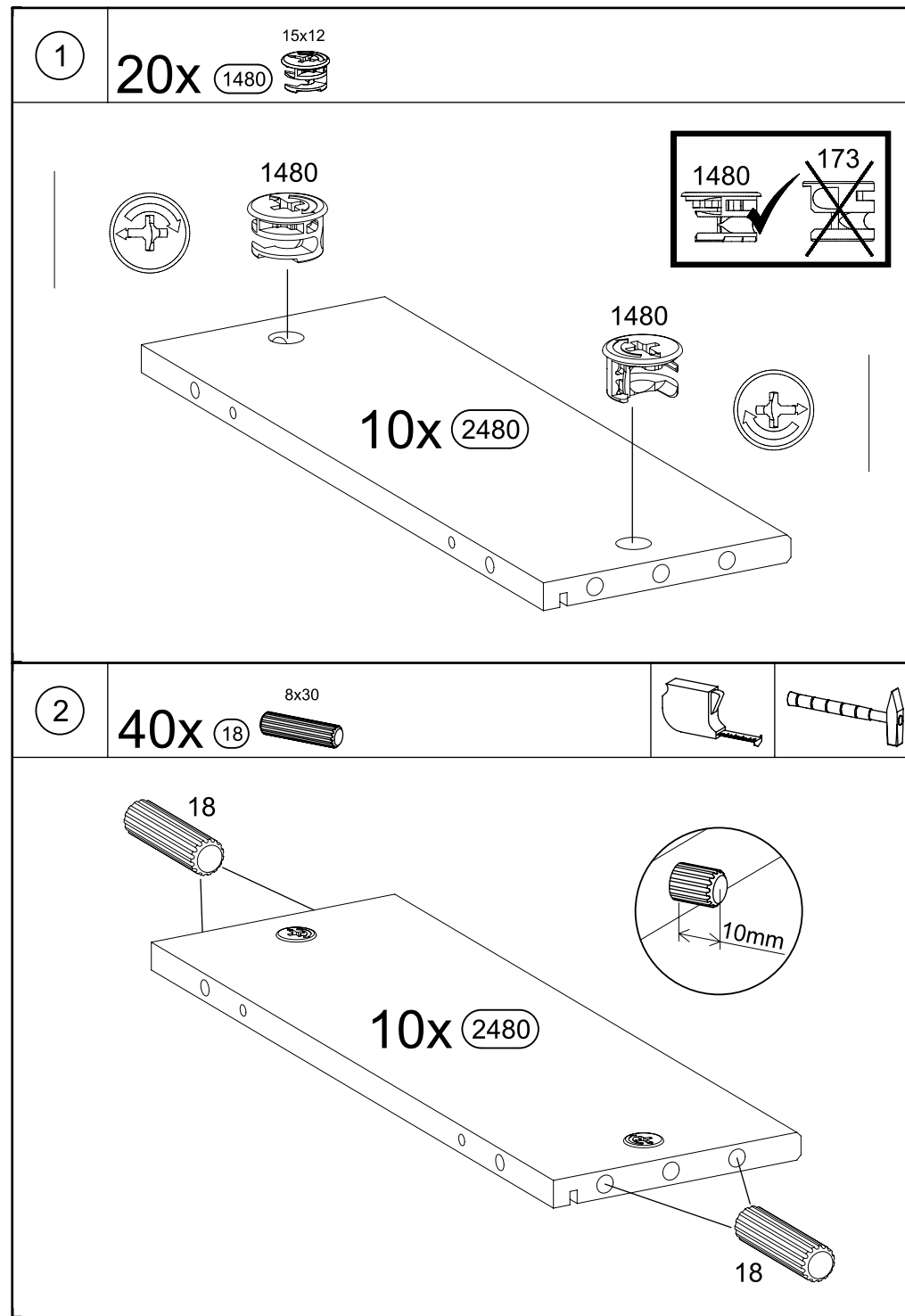
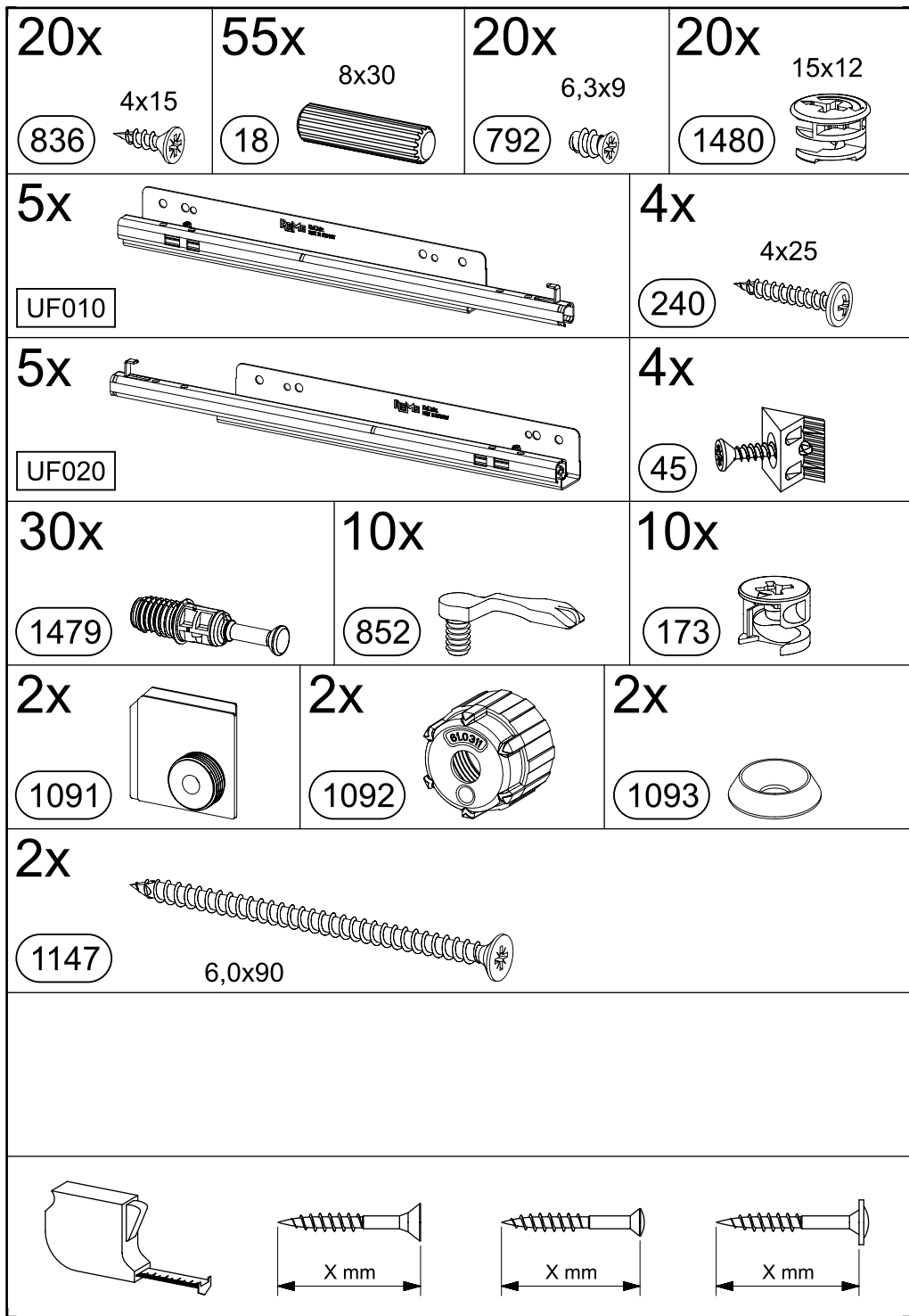


VIDEO



SCAN ME





3



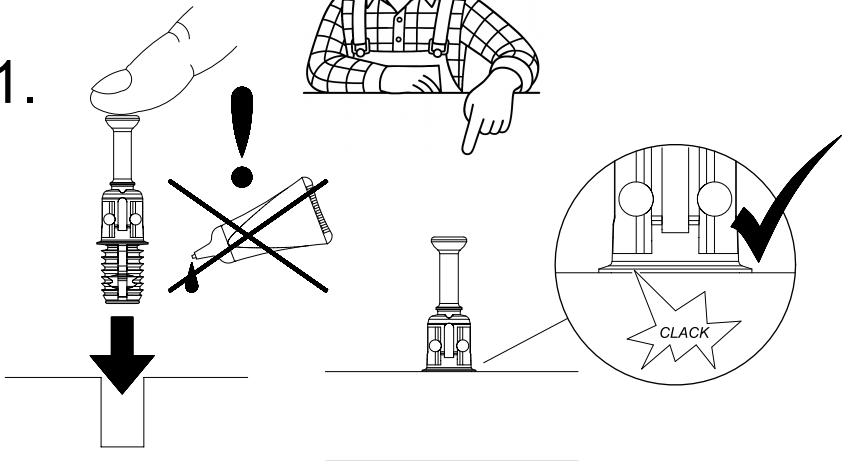
# Function!



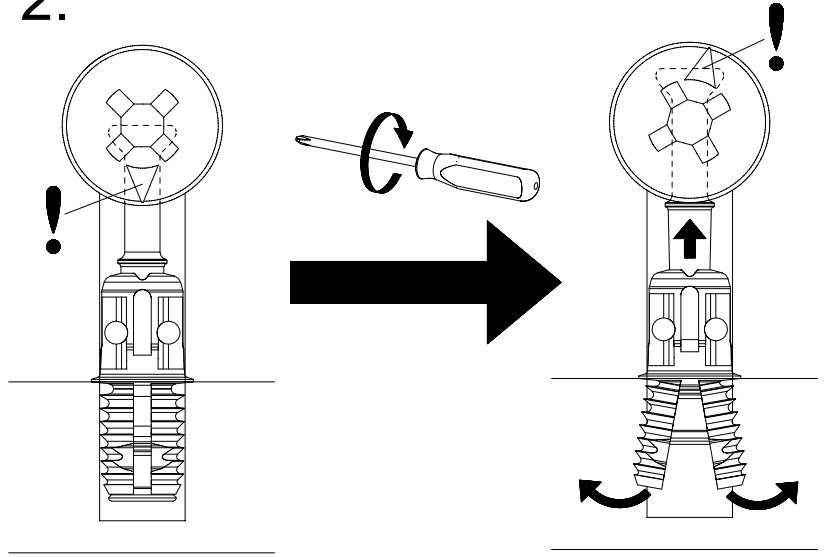
Scan Me



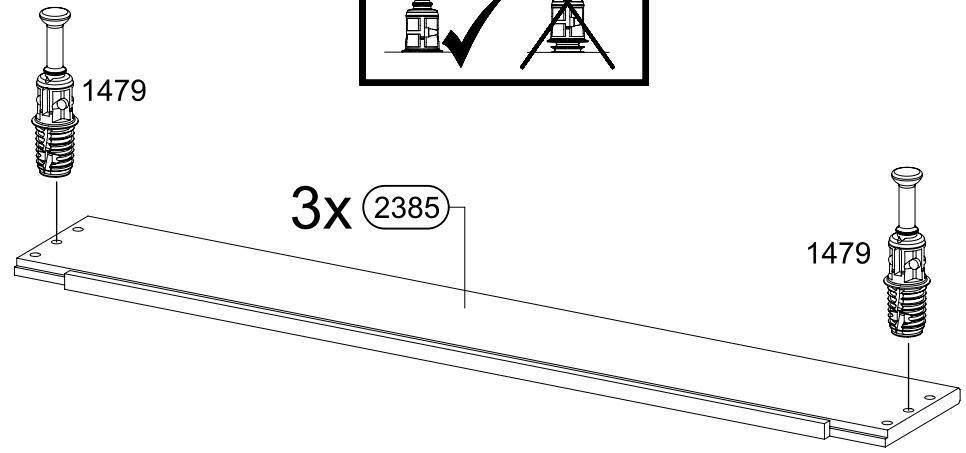
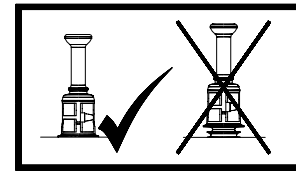
1.



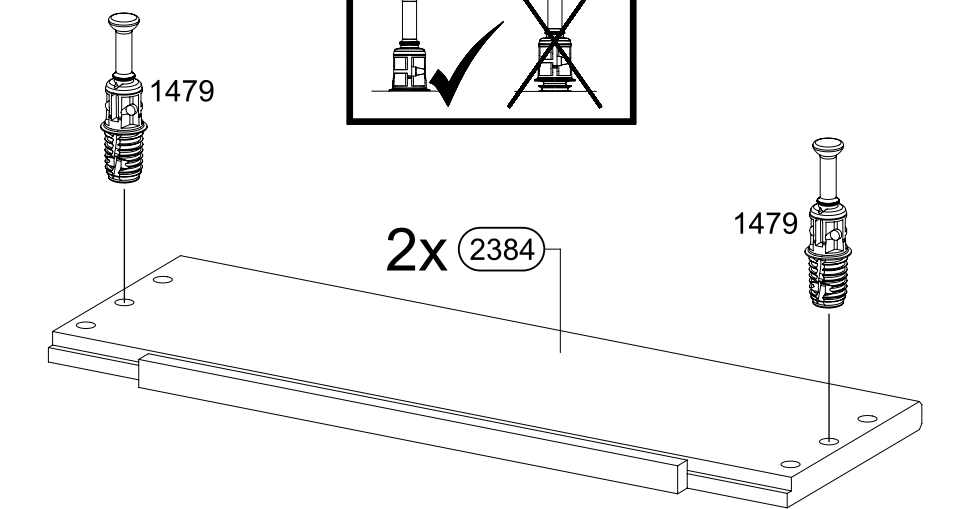
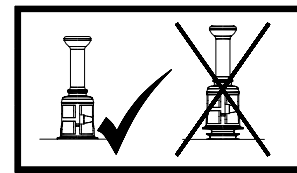
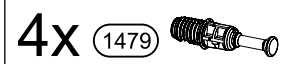
2.



4

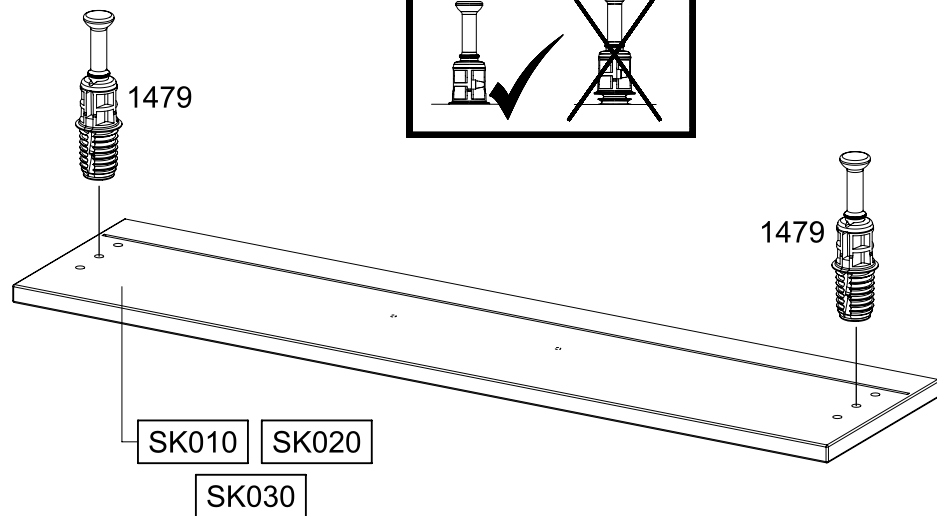
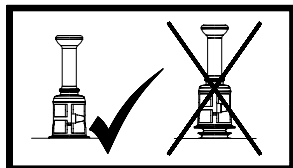


5




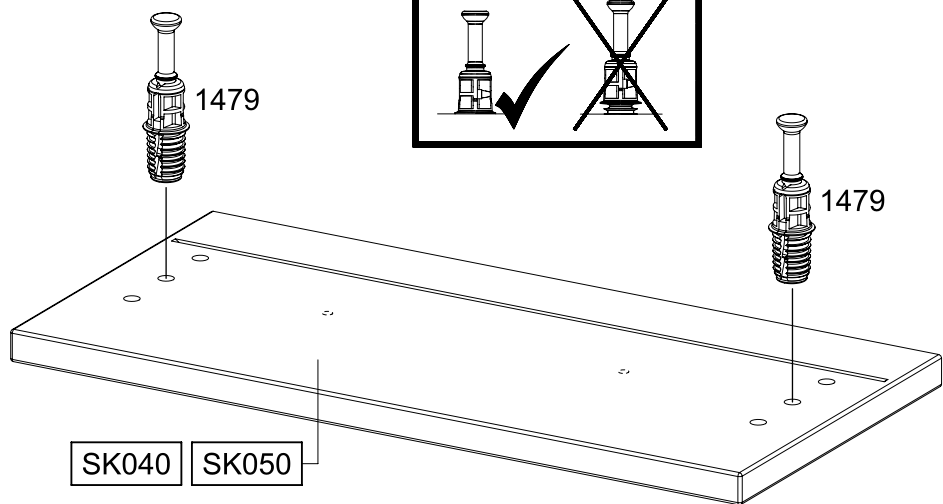
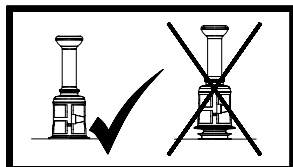
6

6x (1479) 

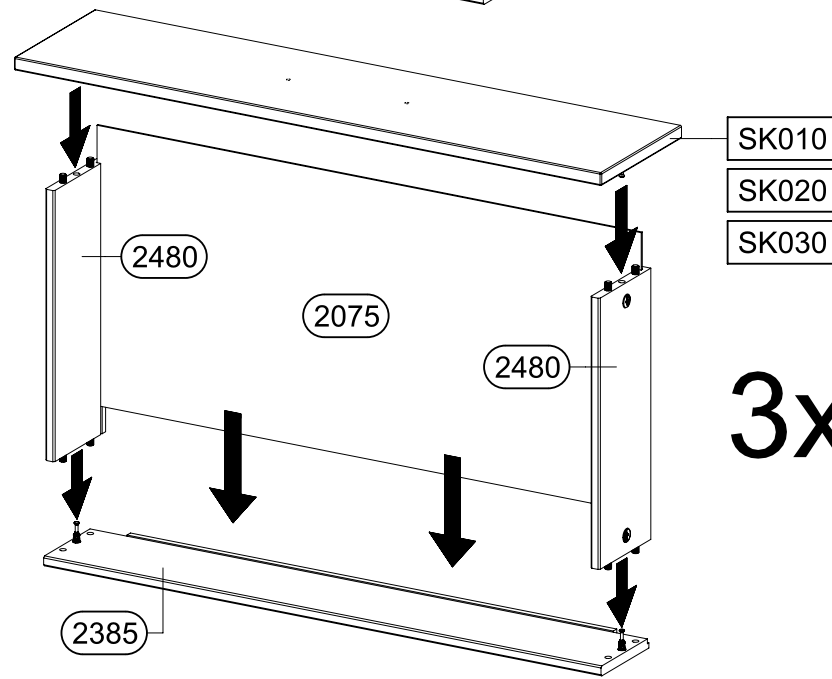
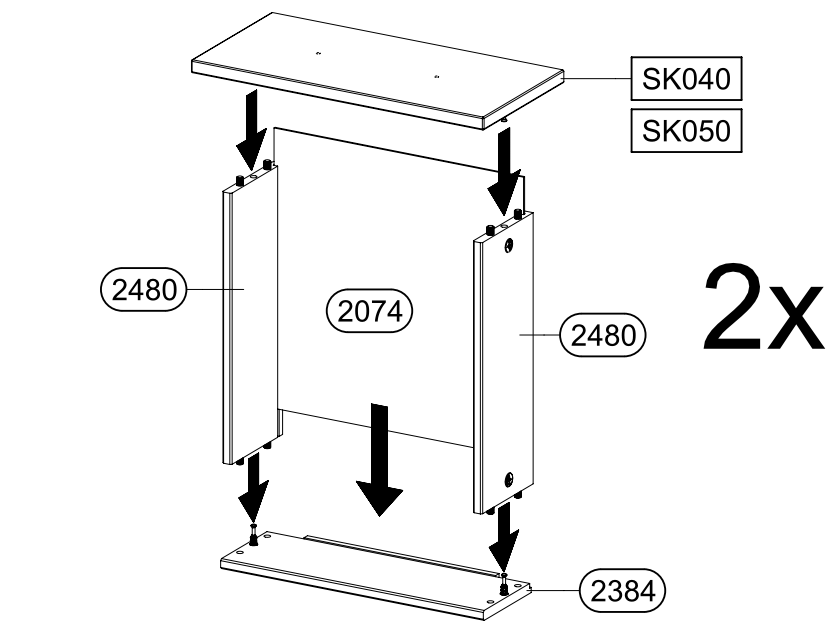


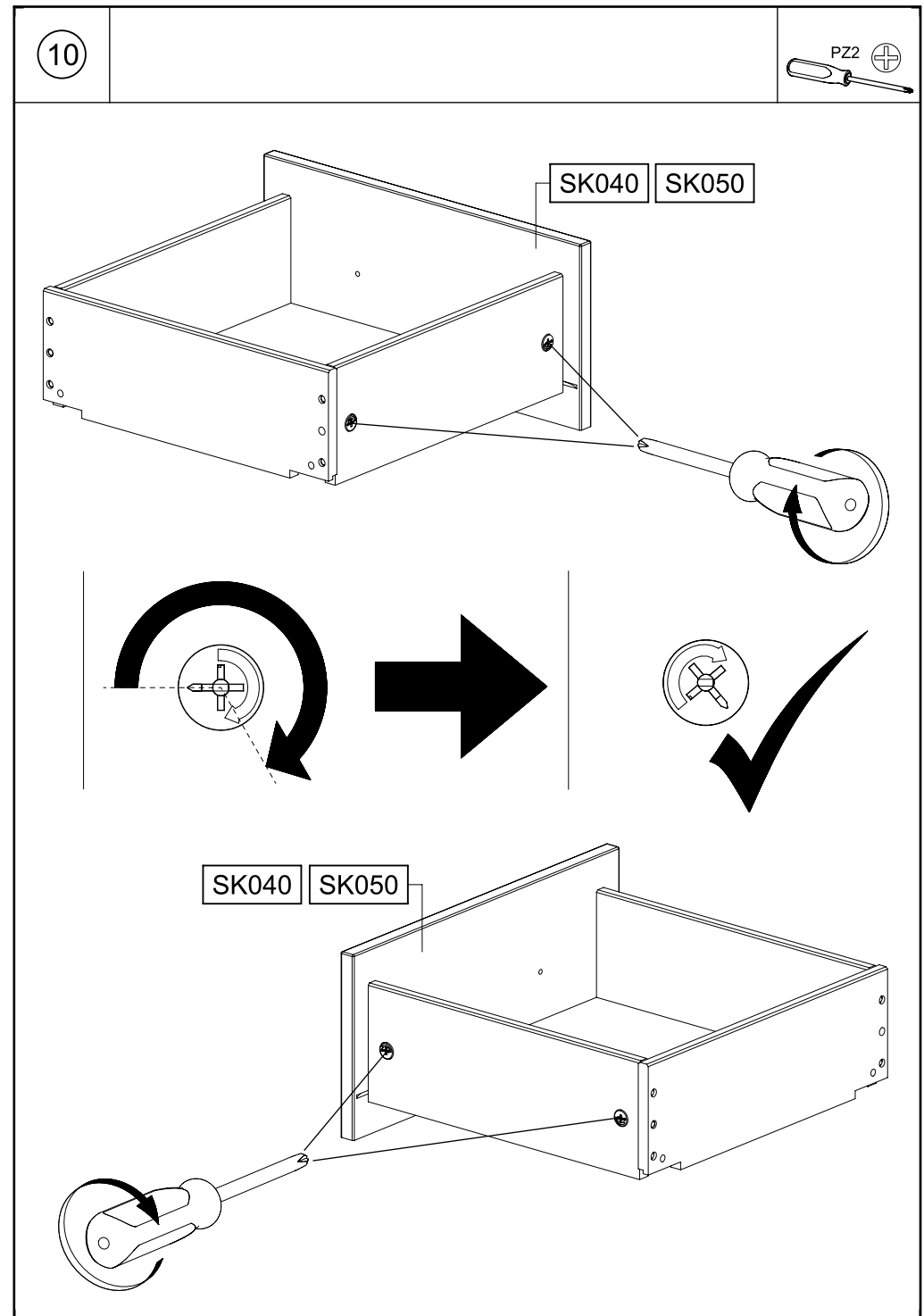
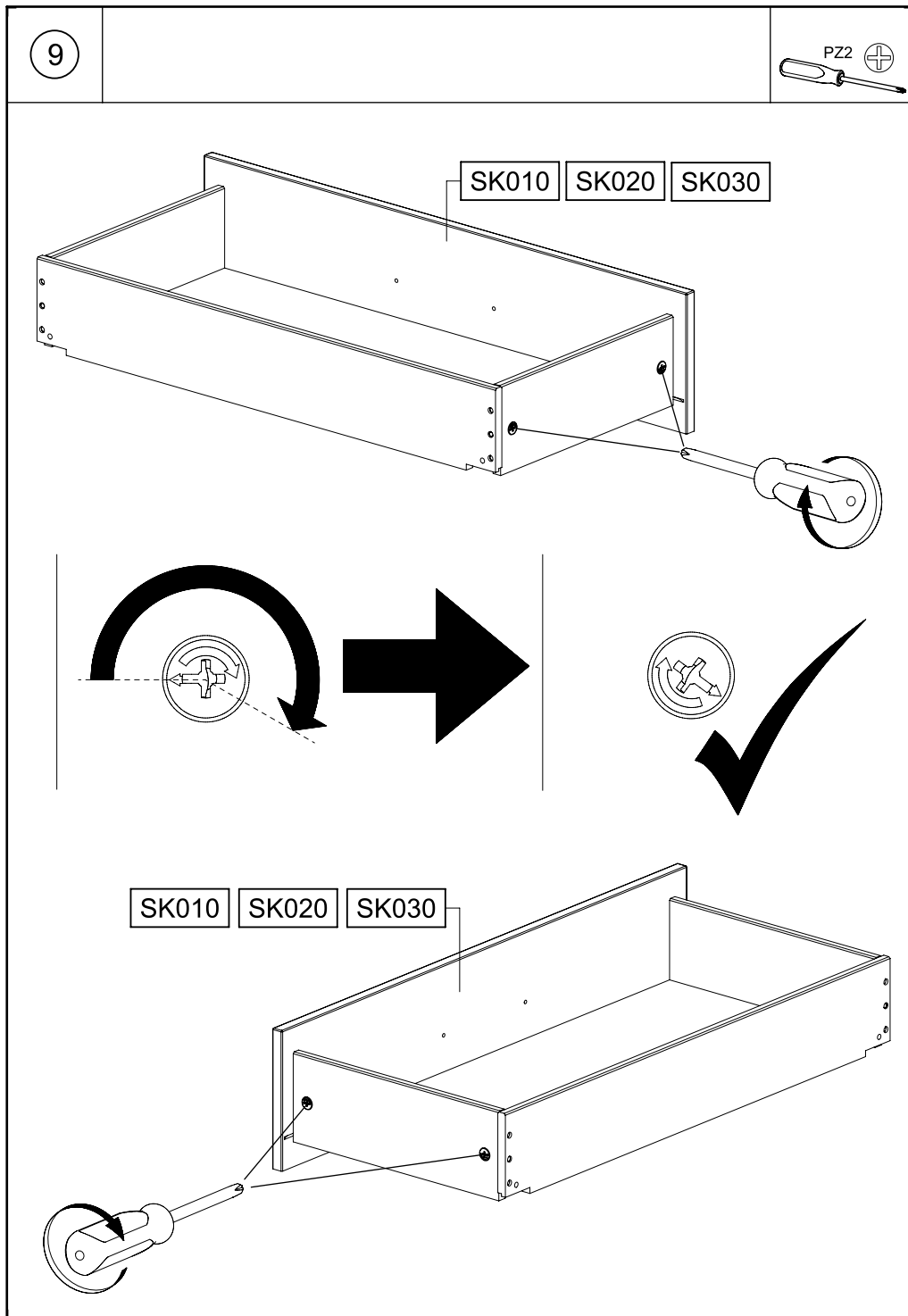
7

4x (1479) 



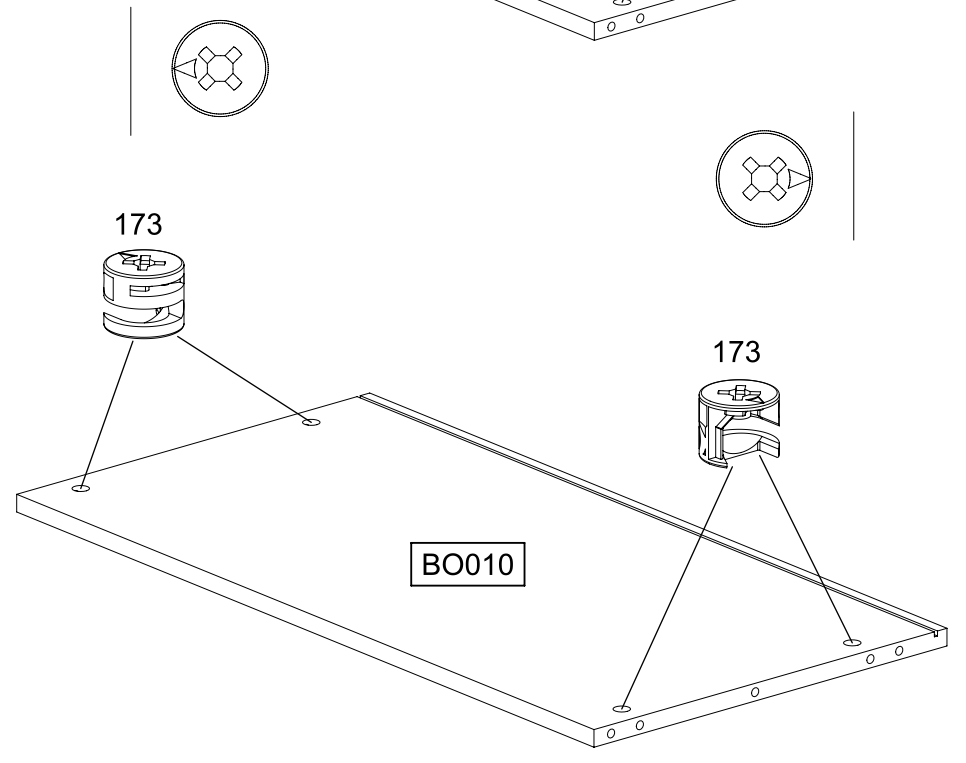
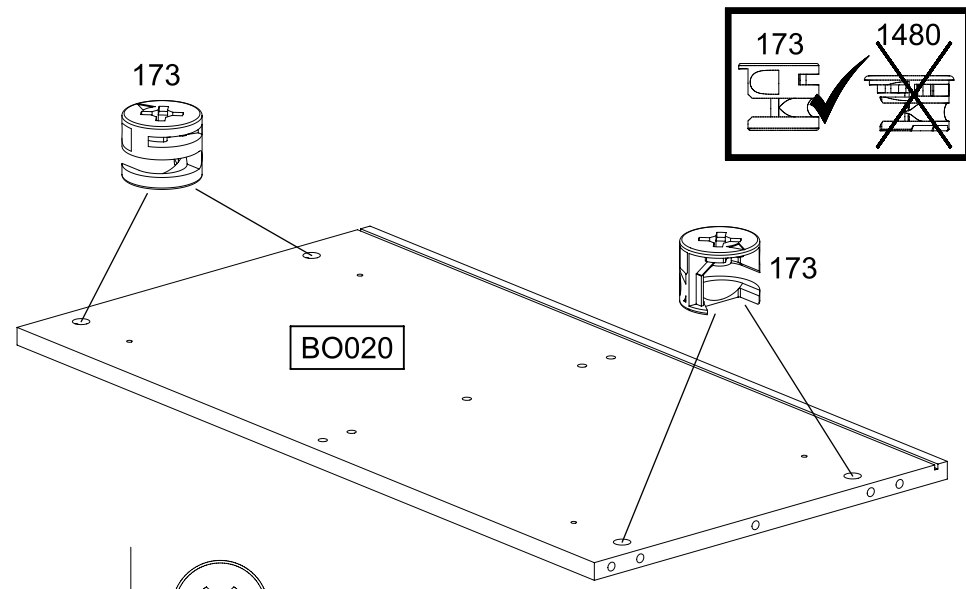
8





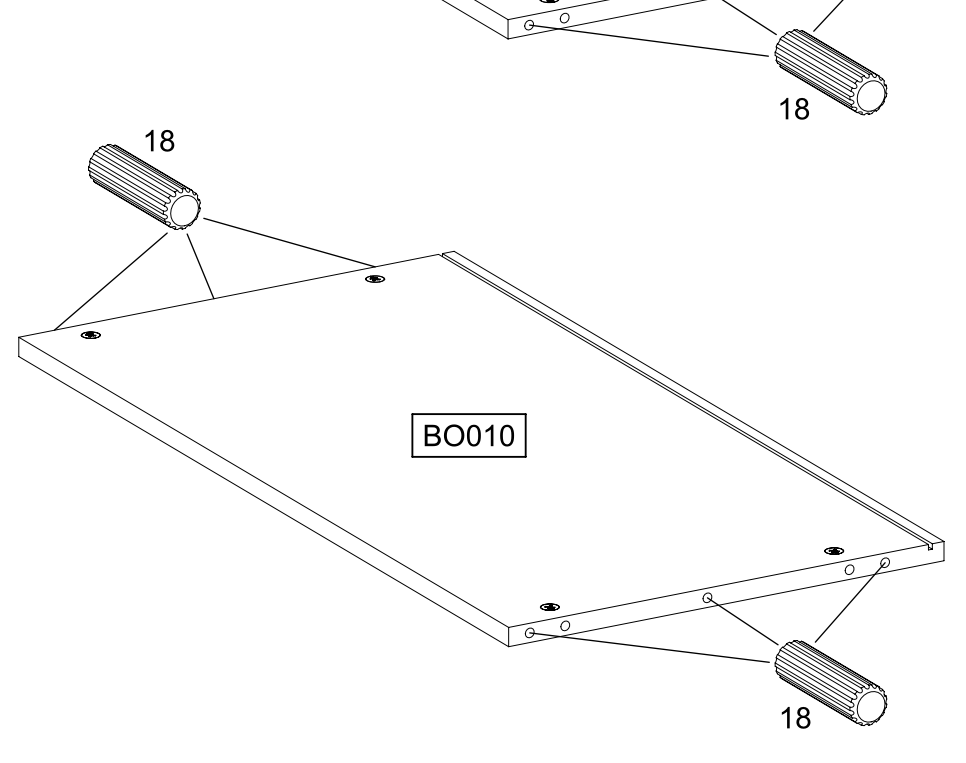
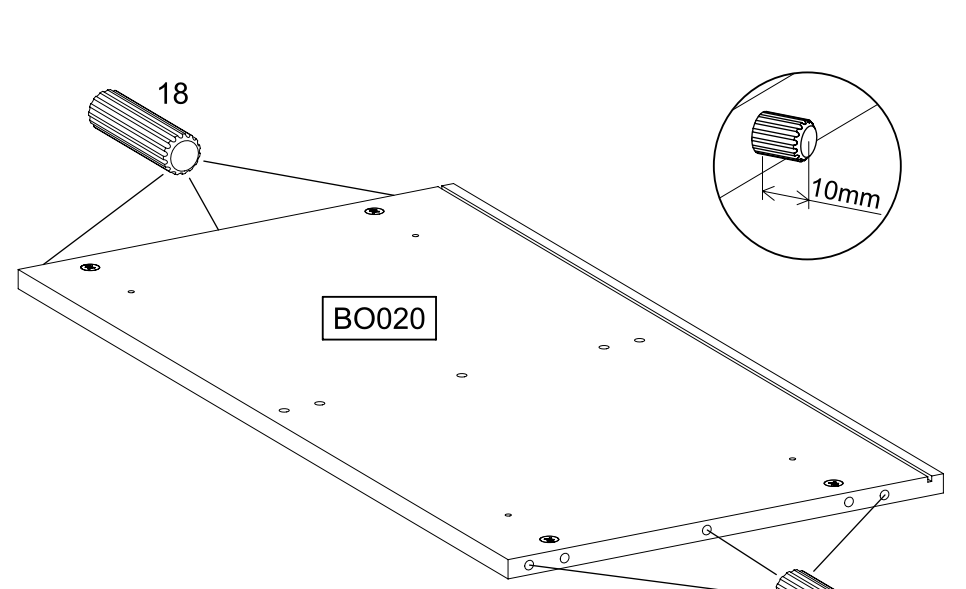
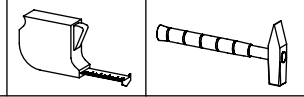
11

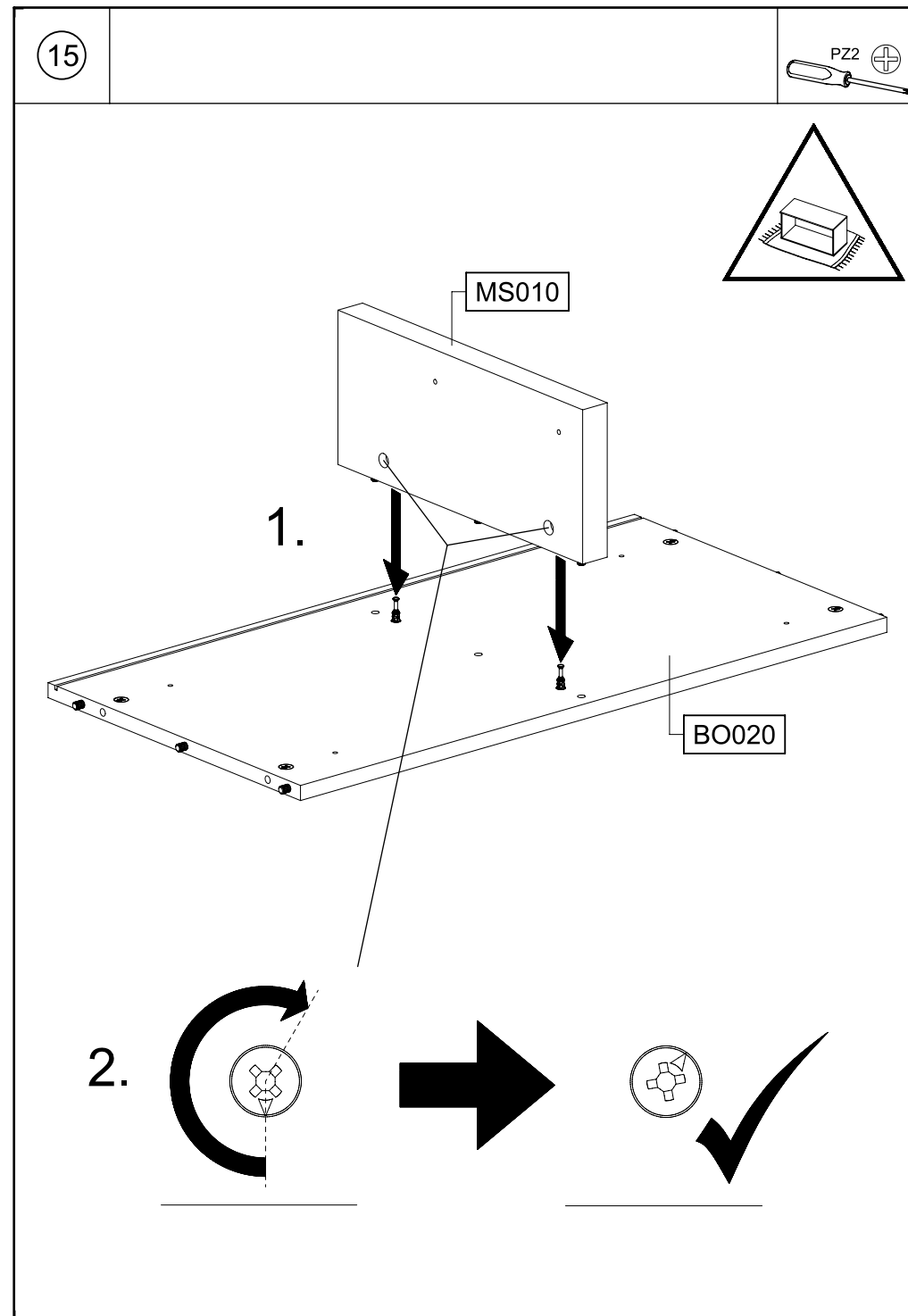
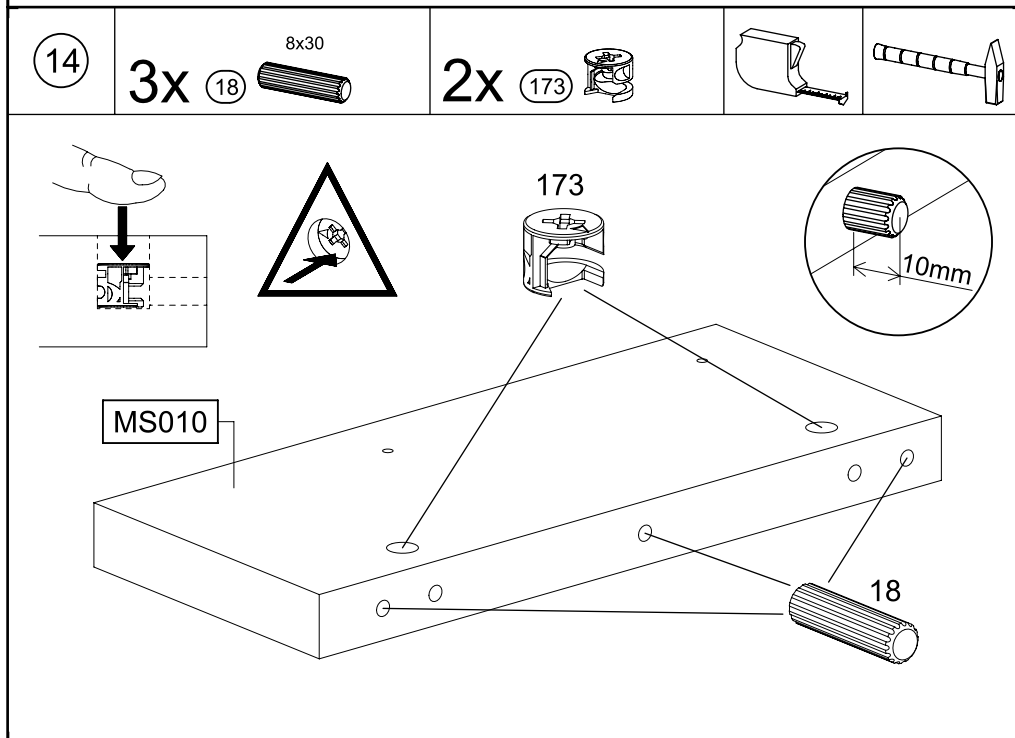
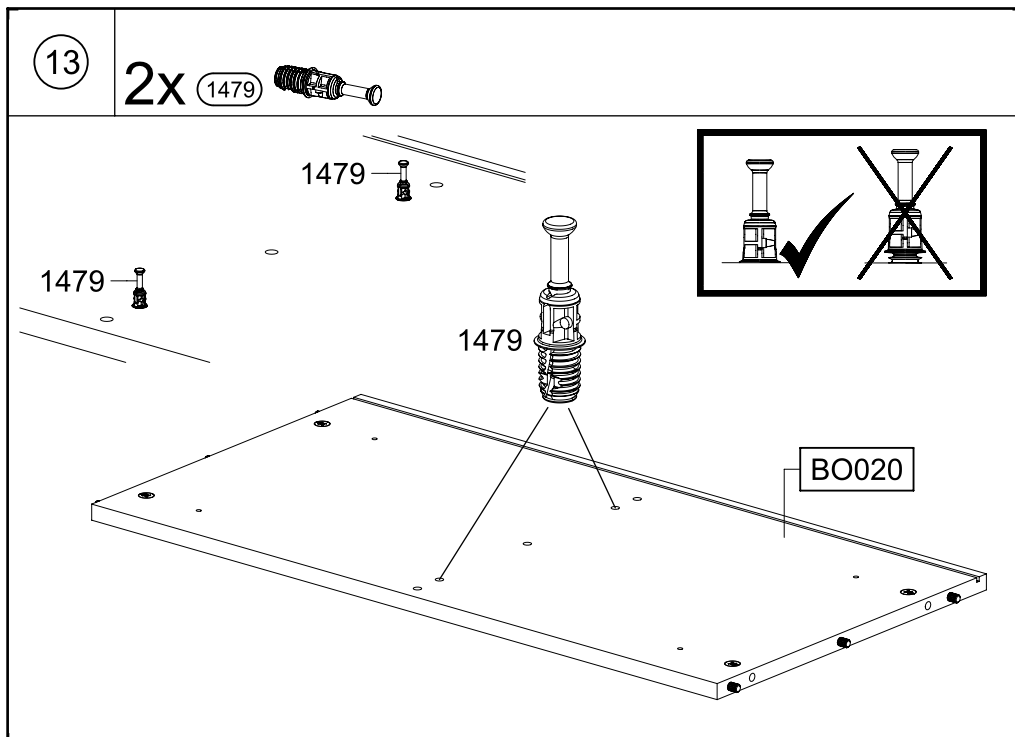
8x 173 



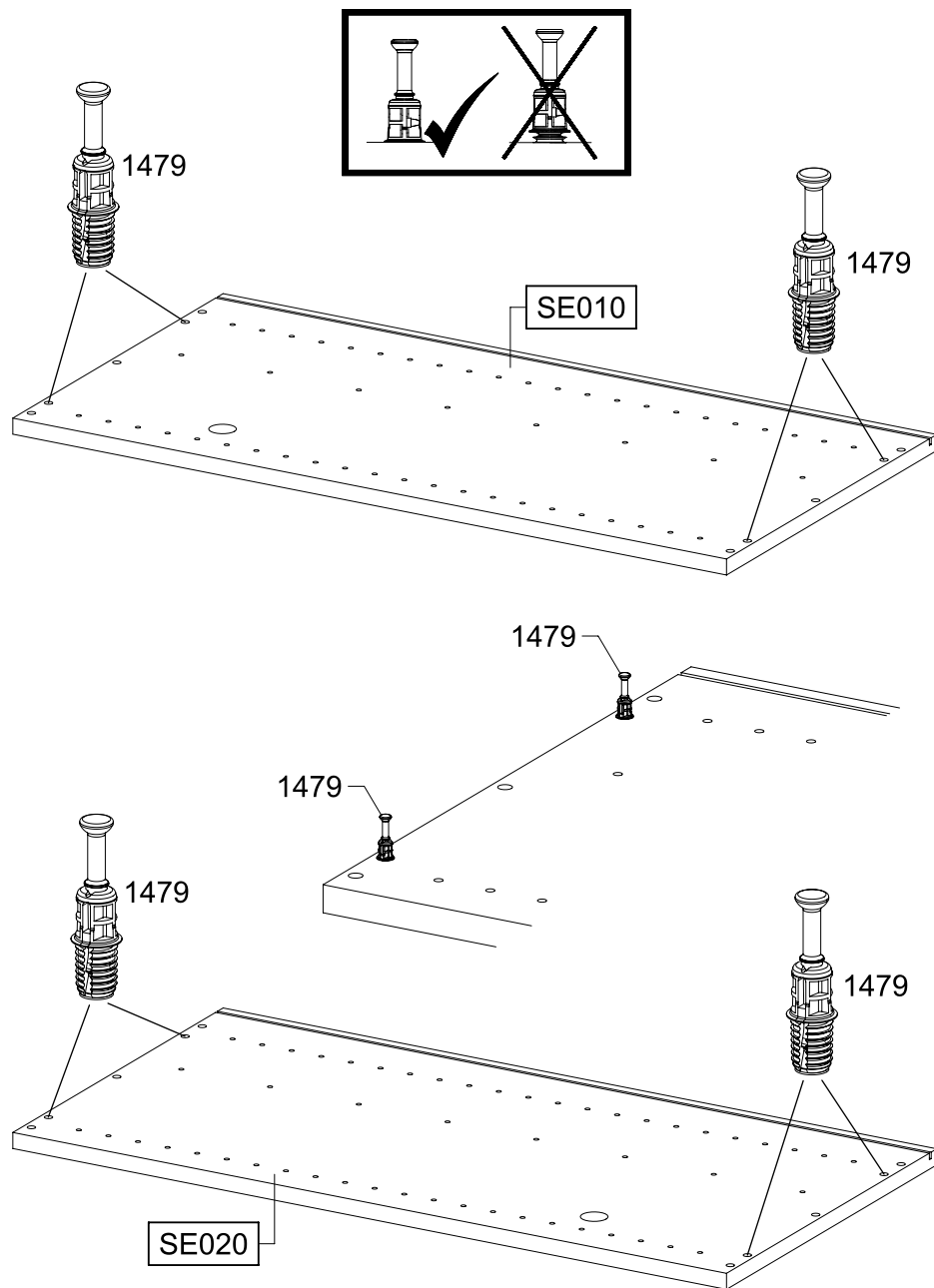

12

12x 18  8x30

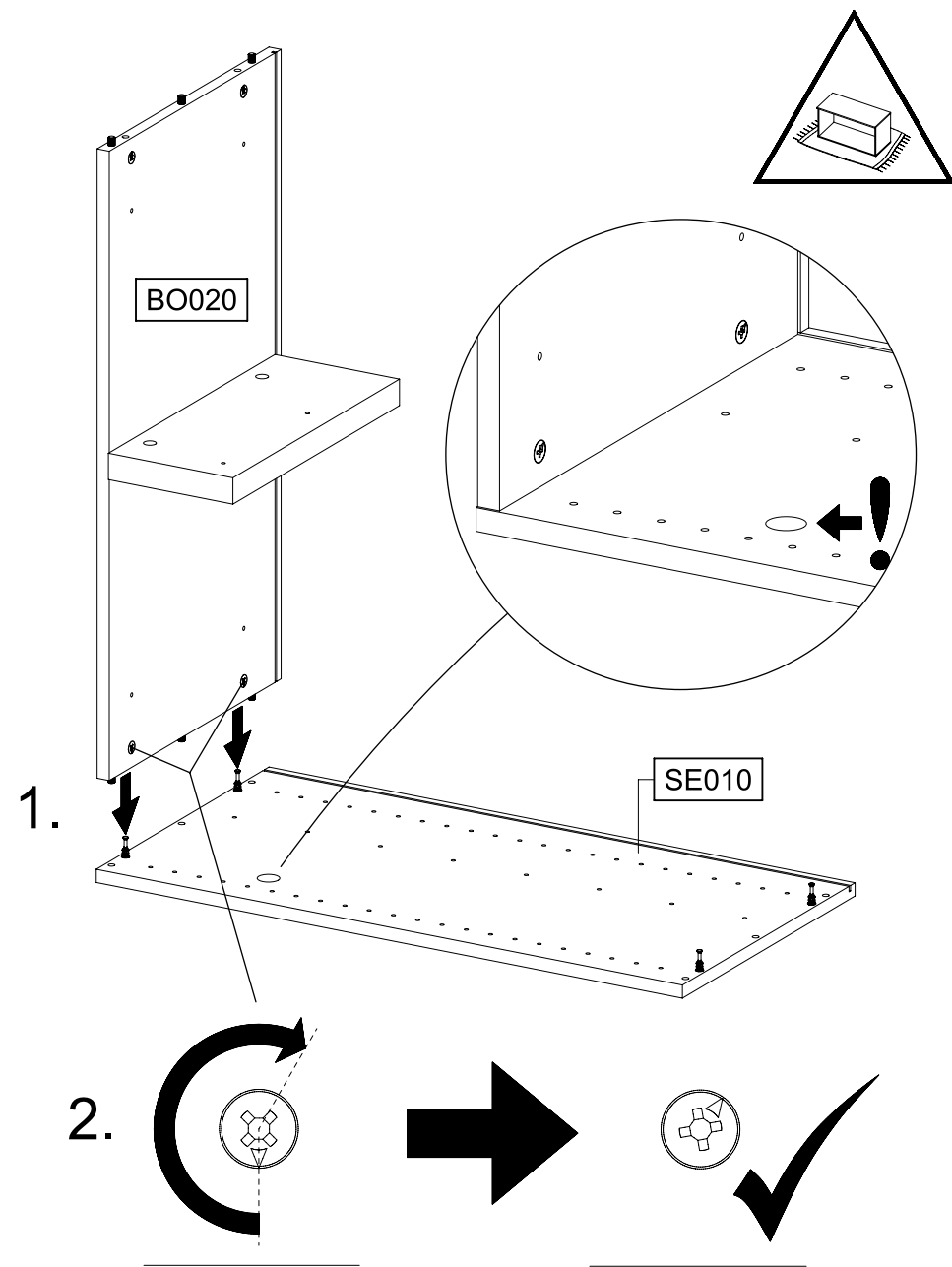
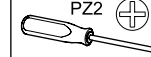




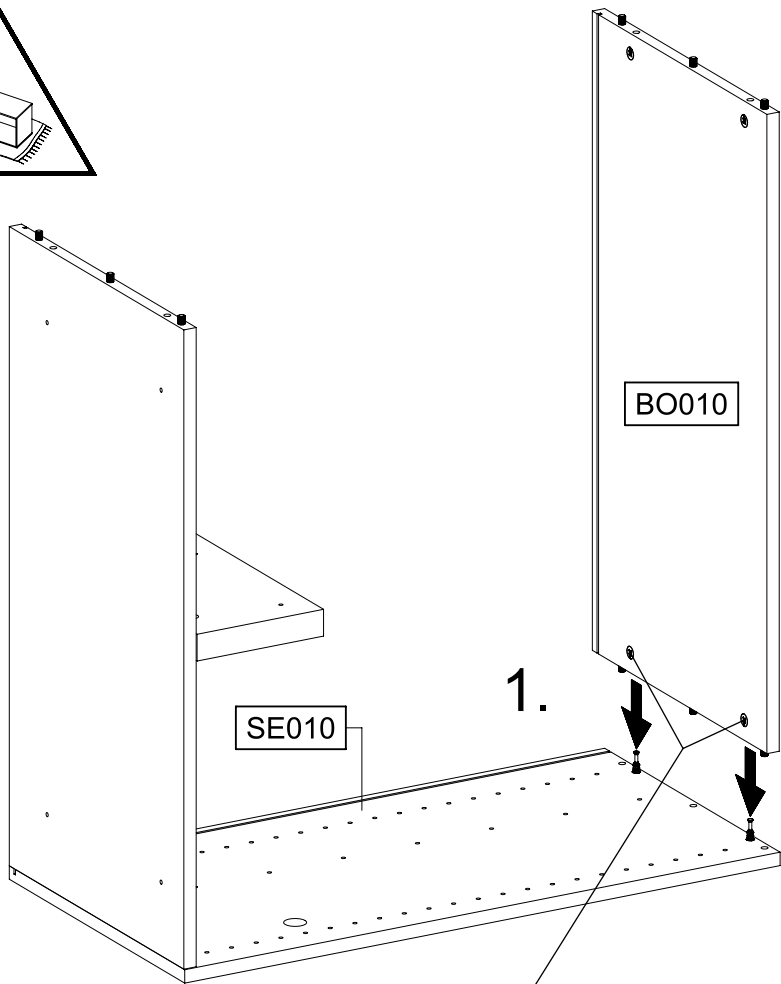
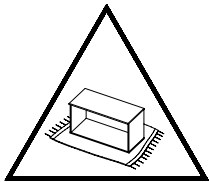
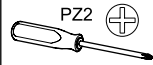
16

8x 

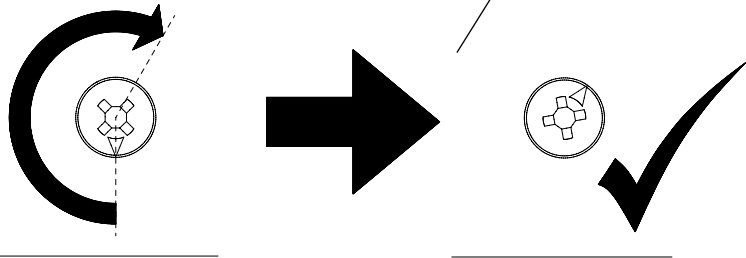
17

PZ2 

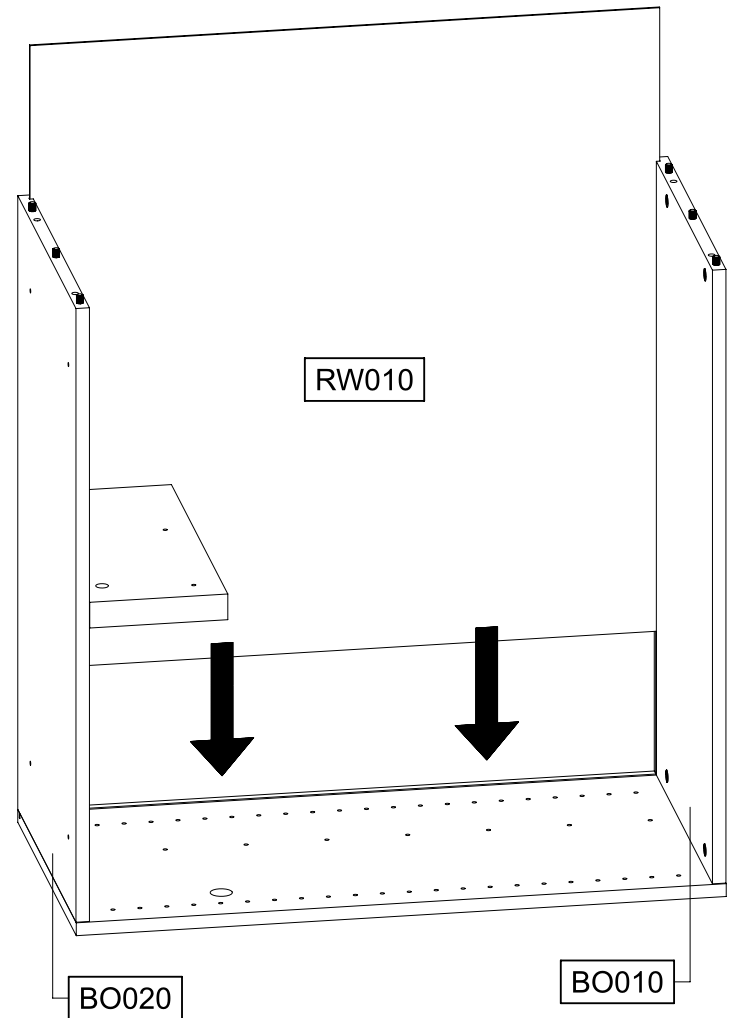
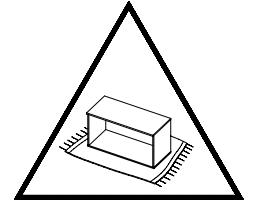
18



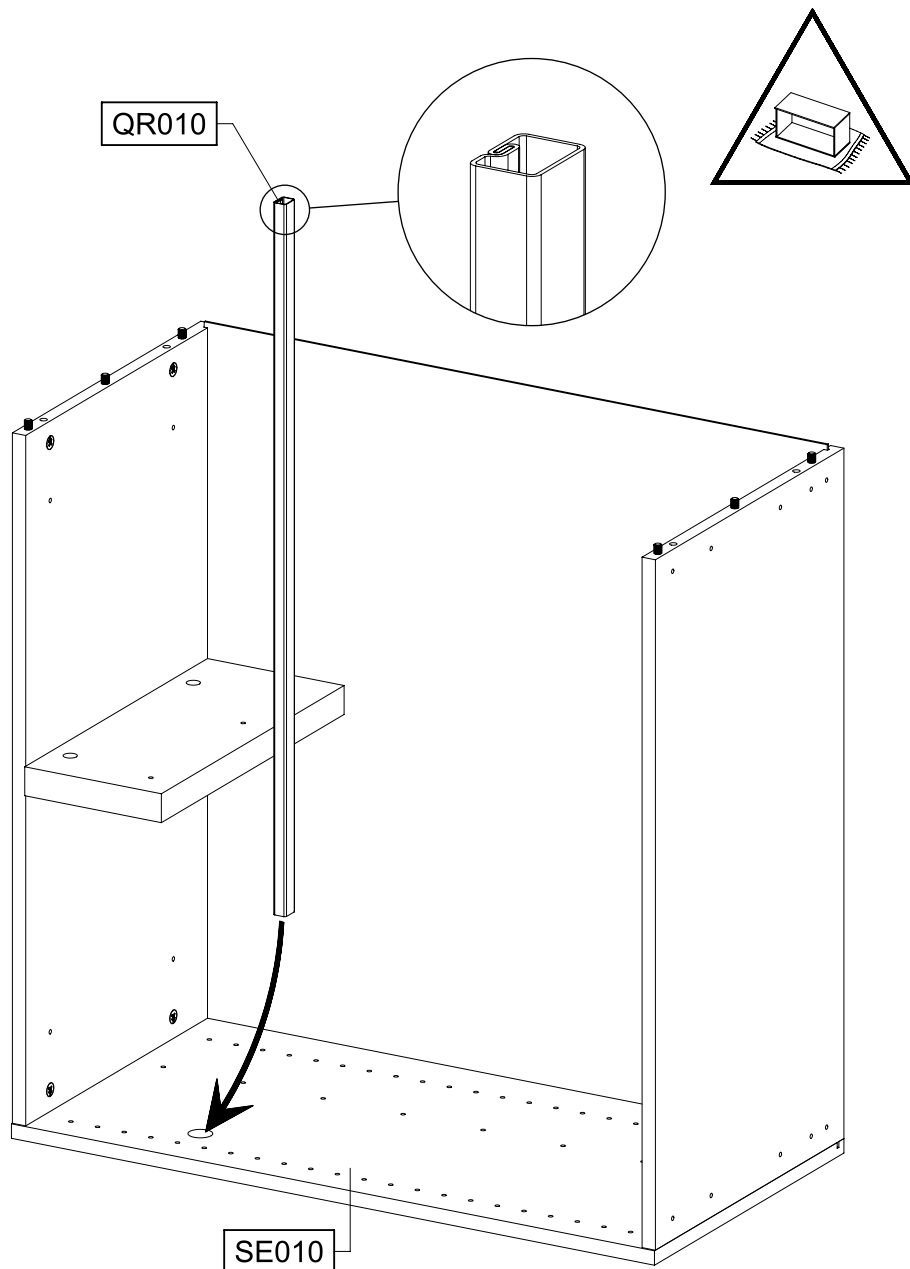
2.



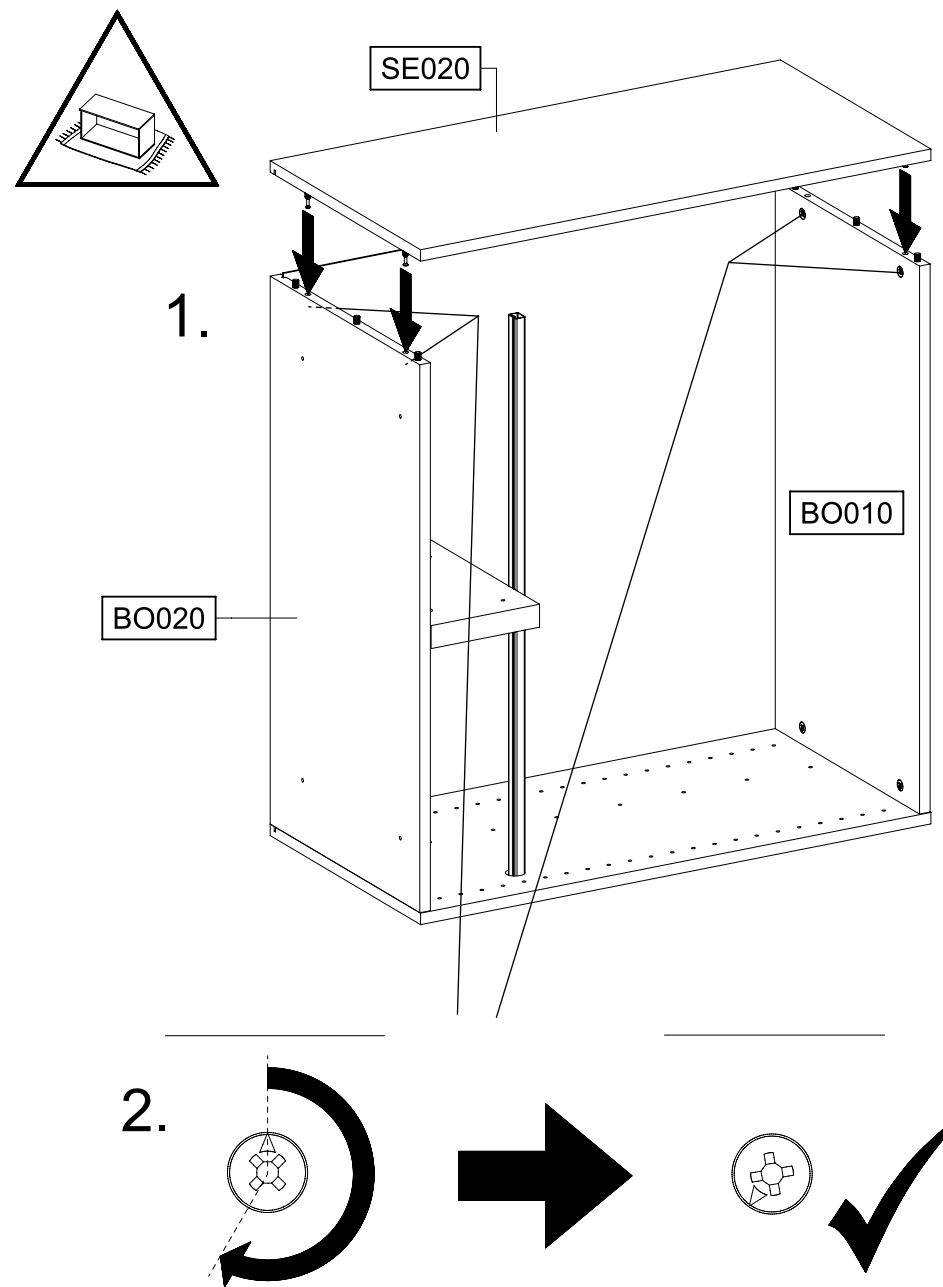
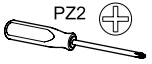
19



20



21

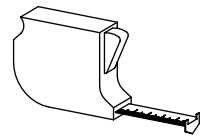
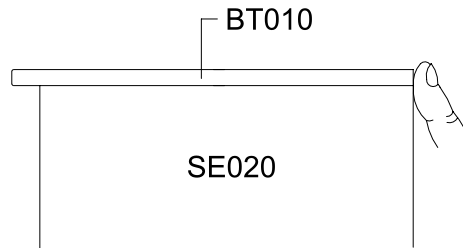
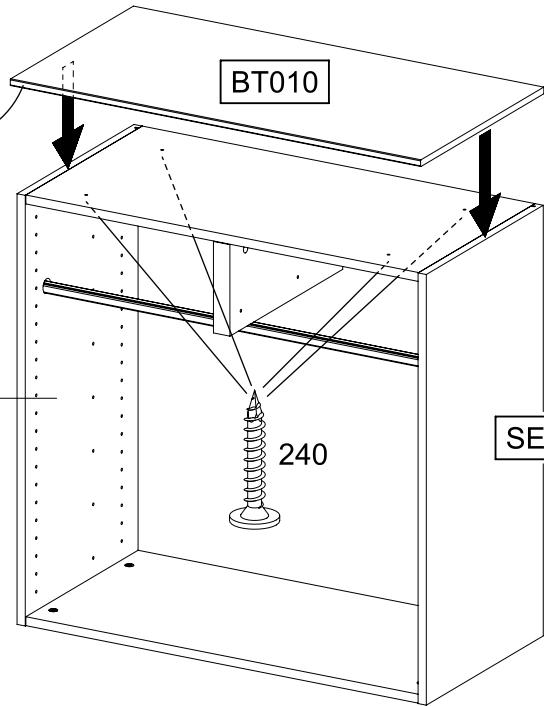
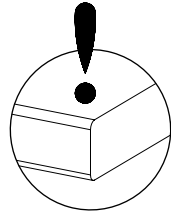
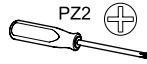
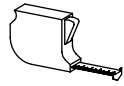


22

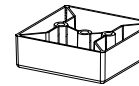
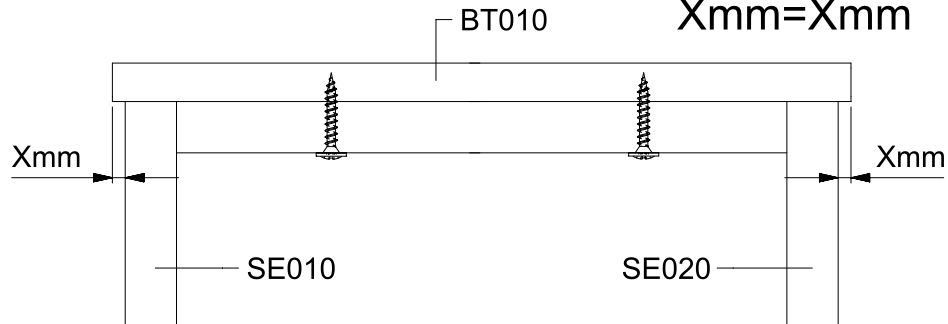
4x

240

4x25



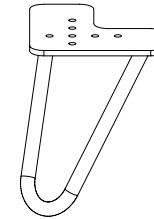
Xmm=Xmm



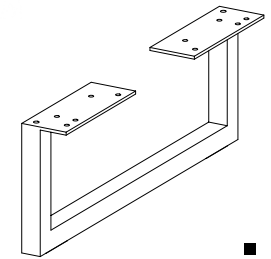
1207



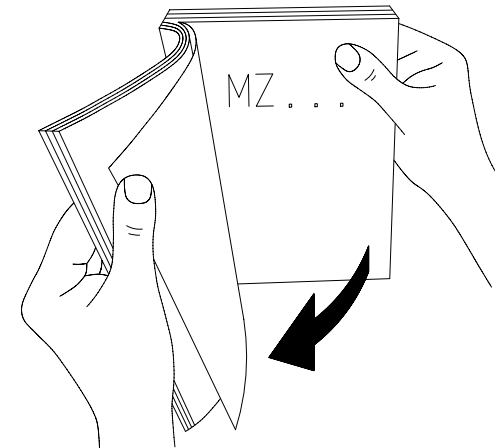
1481



1345



1348

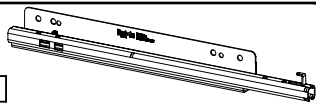


23

10x 792 6,3x9

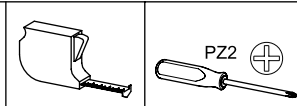
10x 836 4x15

5x UF010

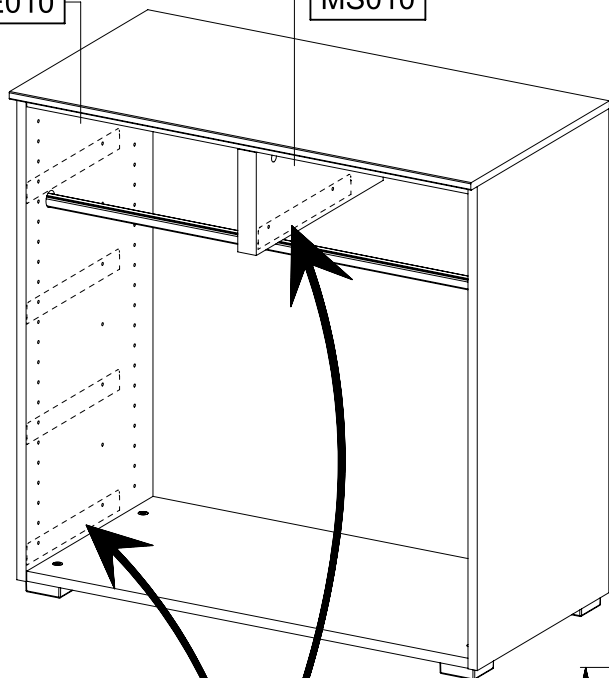


SE010

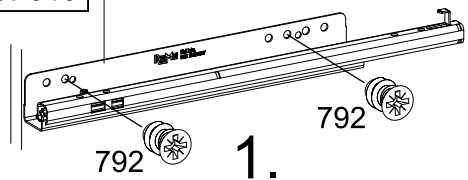
MS010



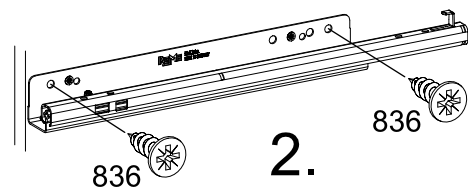
PZ2



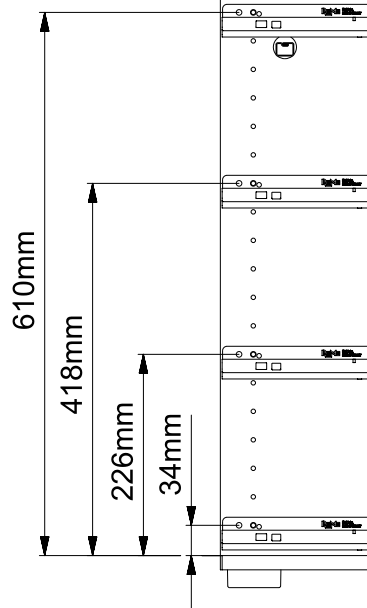
UF010



1.



2.

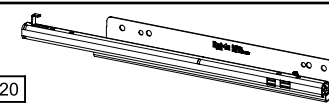


24

10x 792 6,3x9

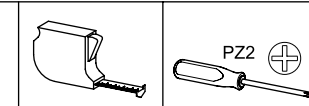
10x 836 4x15

5x UF020

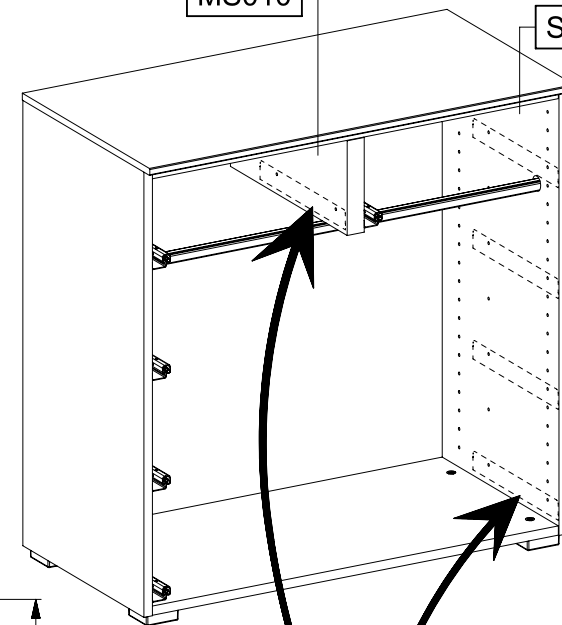


MS010

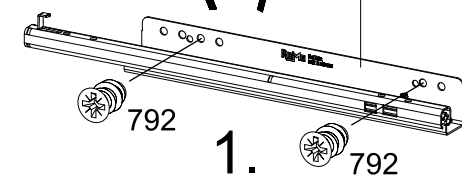
SE020



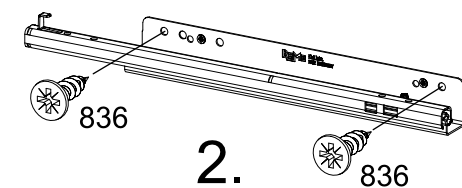
PZ2



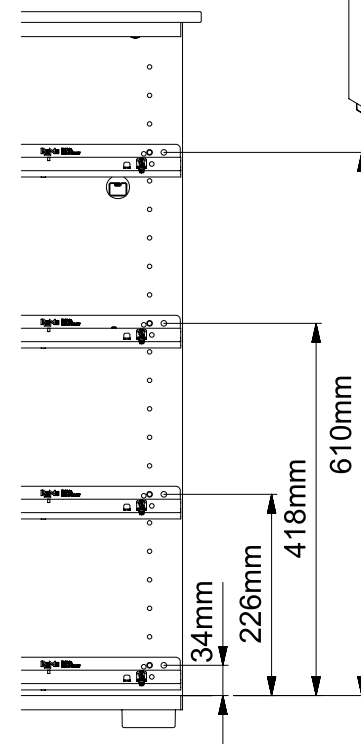
UF020



1.

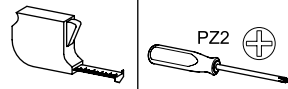


2.

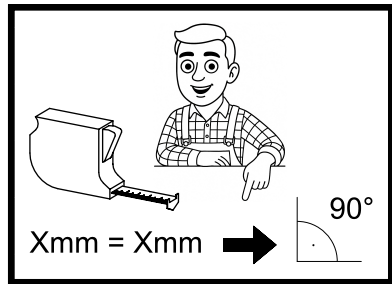


25

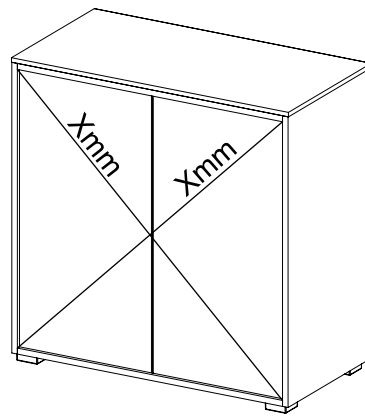
4x 45



PZ2



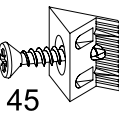
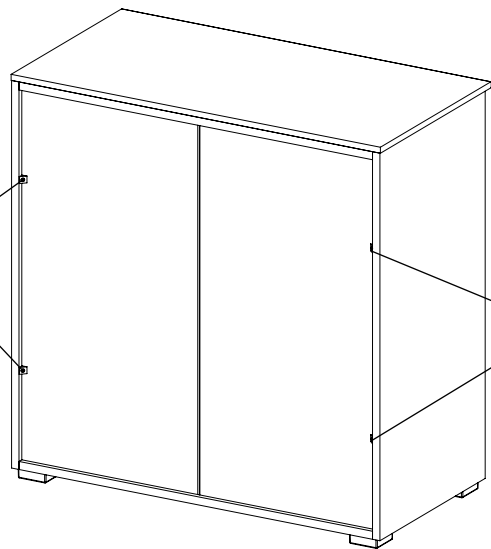
1.



2.

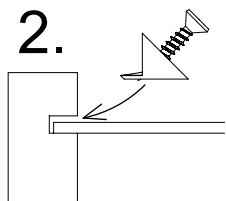


45

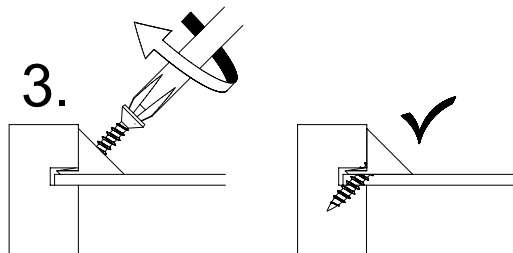


45

2.



3.

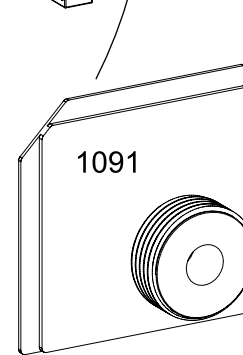
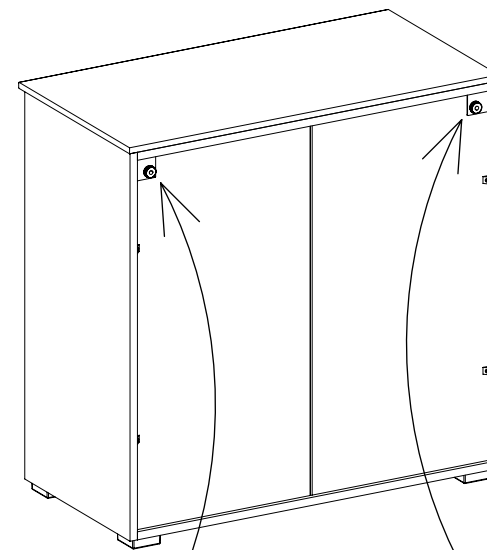


26

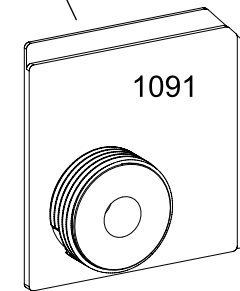
2x 1091



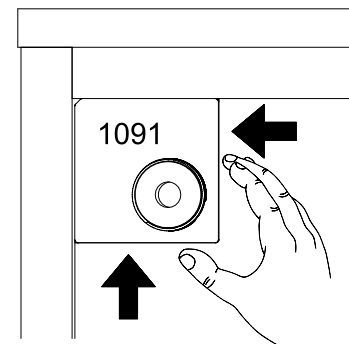
SCAN ME



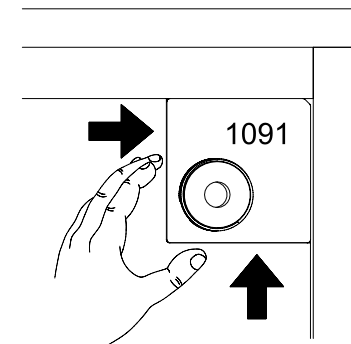
1091



1091



1091

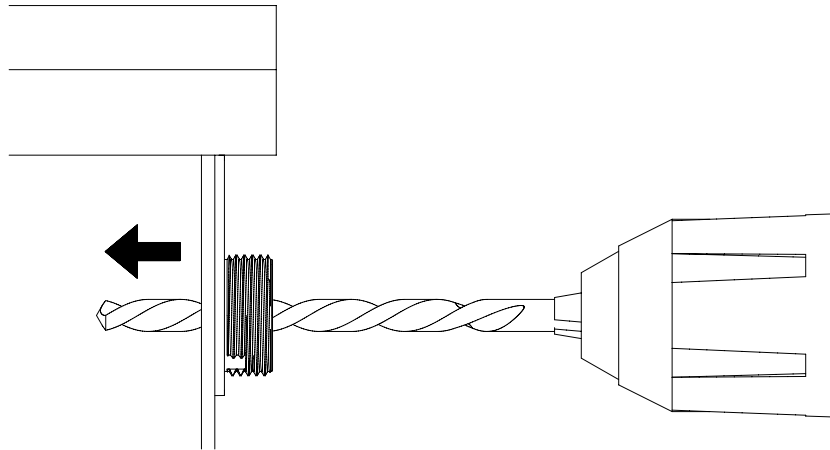
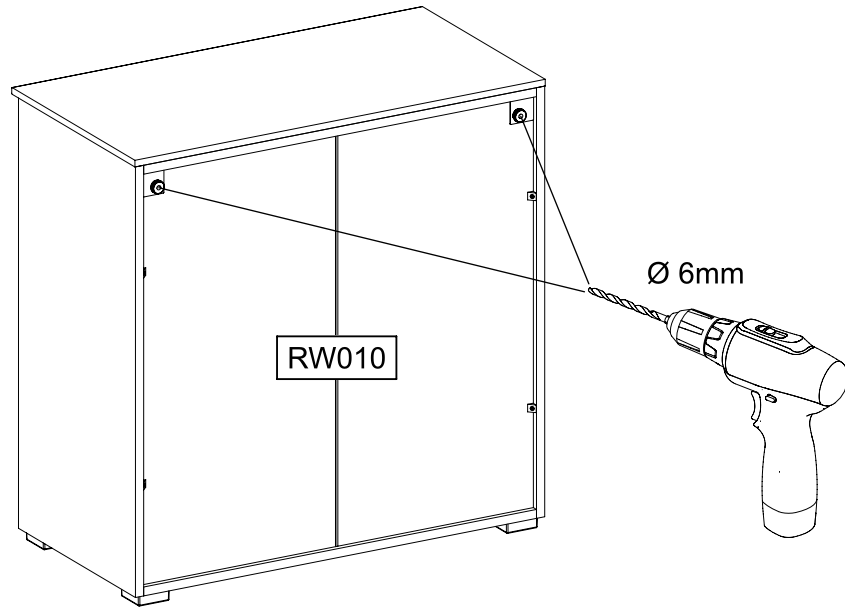
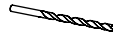


1091

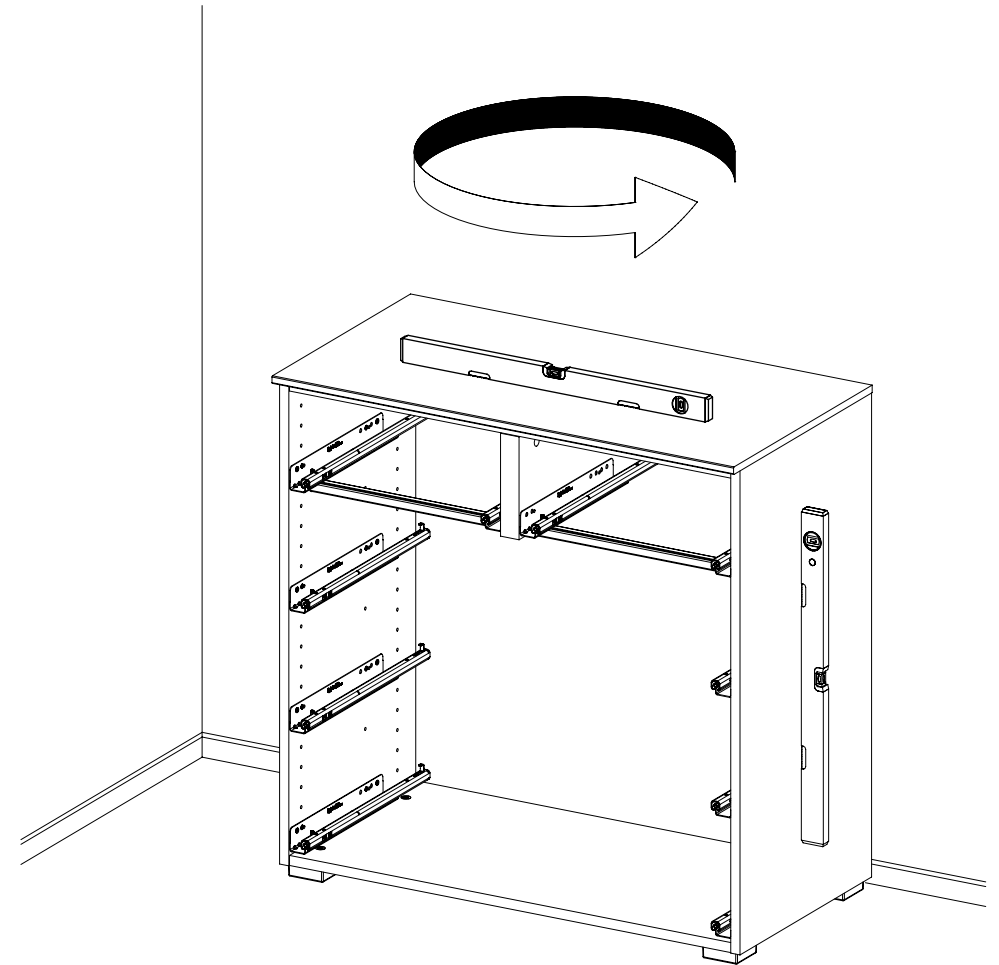
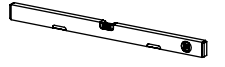
27



Ø6mm



28

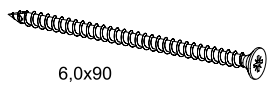


29

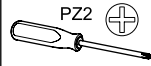
2x 1093



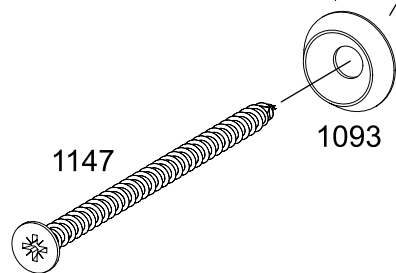
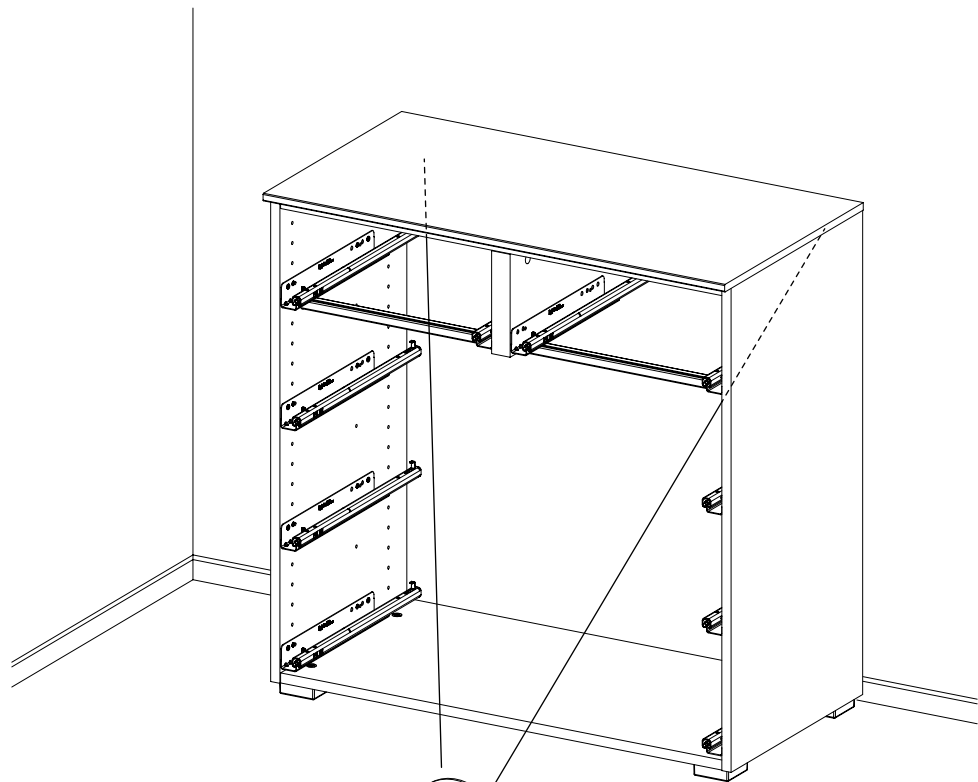
2x 1147



6,0x90

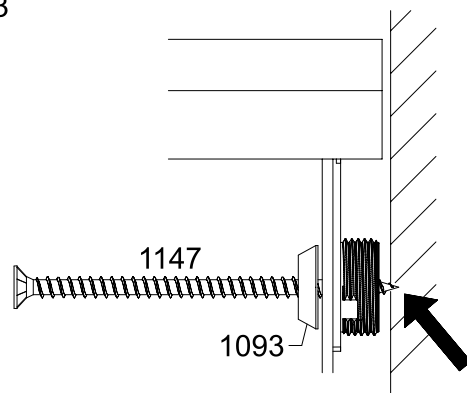


PZ2



1147

1093



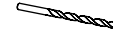
1147

1093

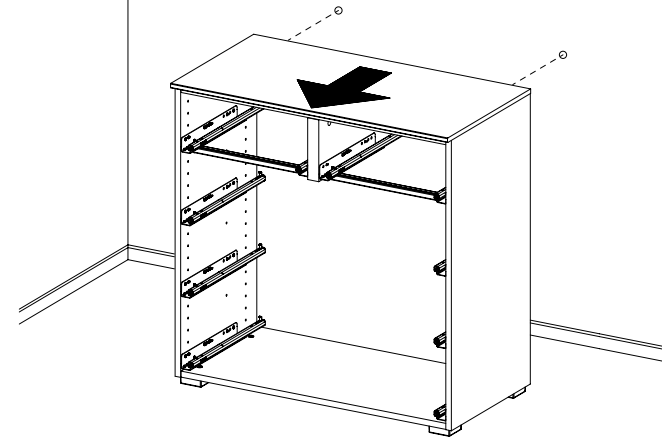
30



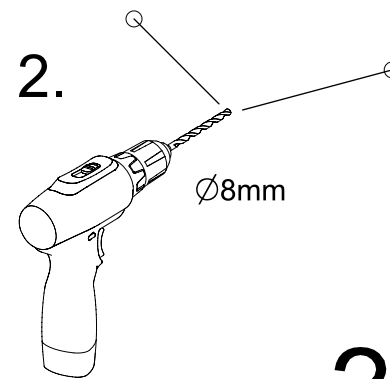
Ø8mm



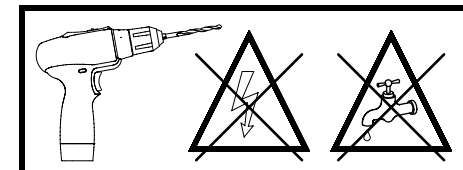
1.



2.

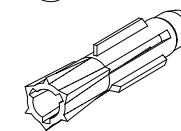
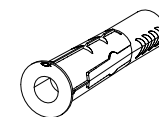


Ø8mm



?

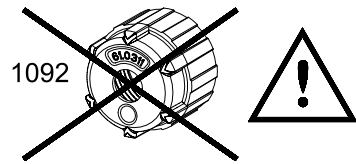
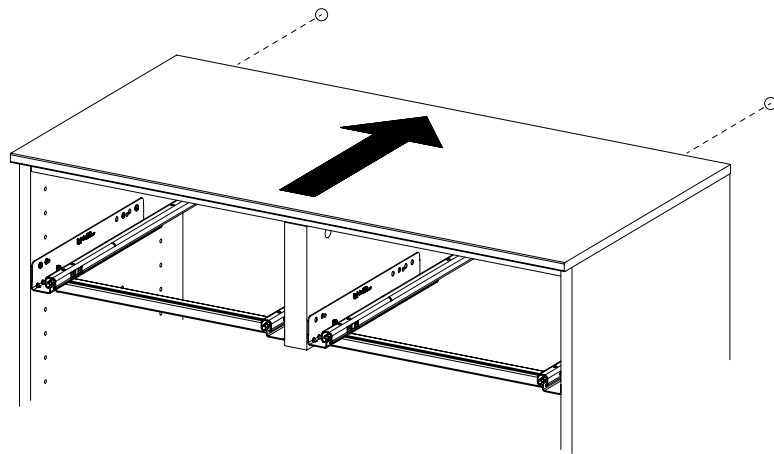
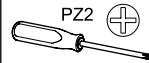
3.



Ø8mm

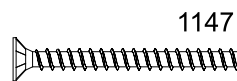
31

2x 1092



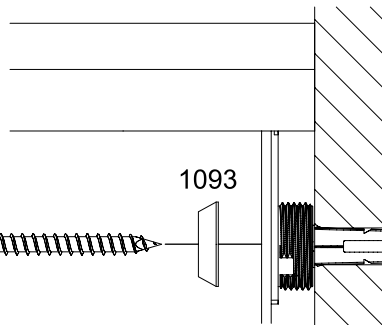
1092

2.



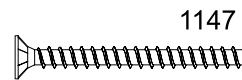
1147

1093



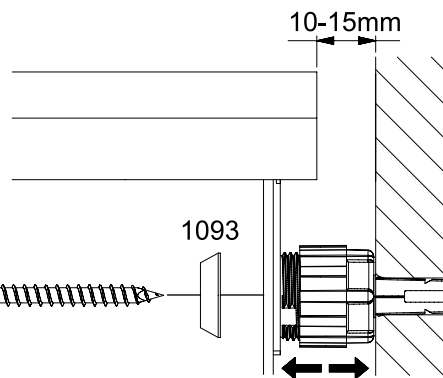
10-15mm

2.



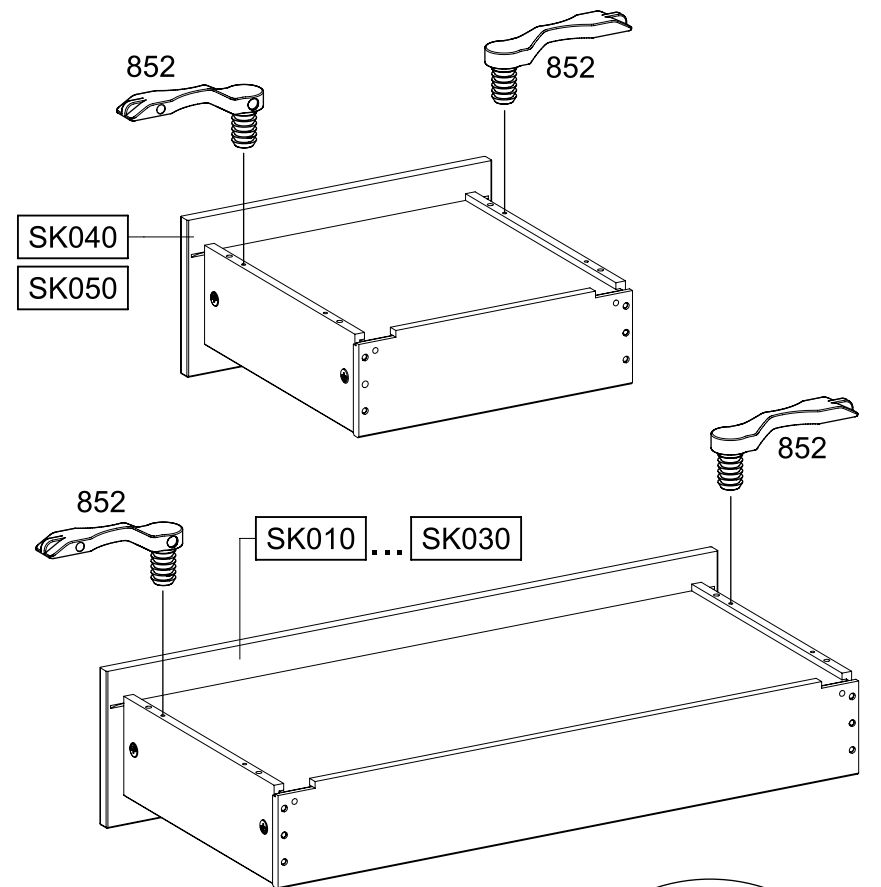
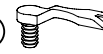
1147

1093



32

10x 852



852

852

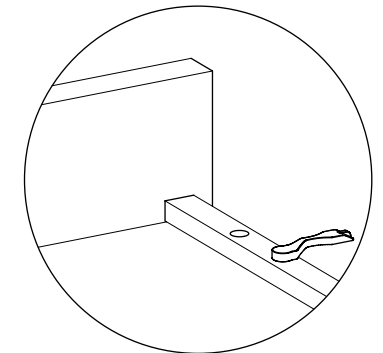
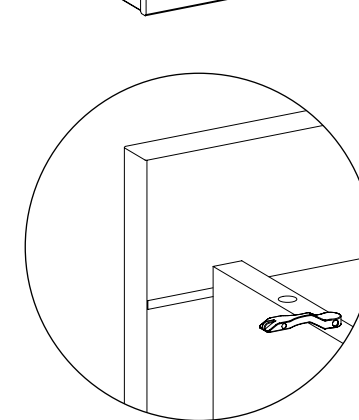
SK040

SK050

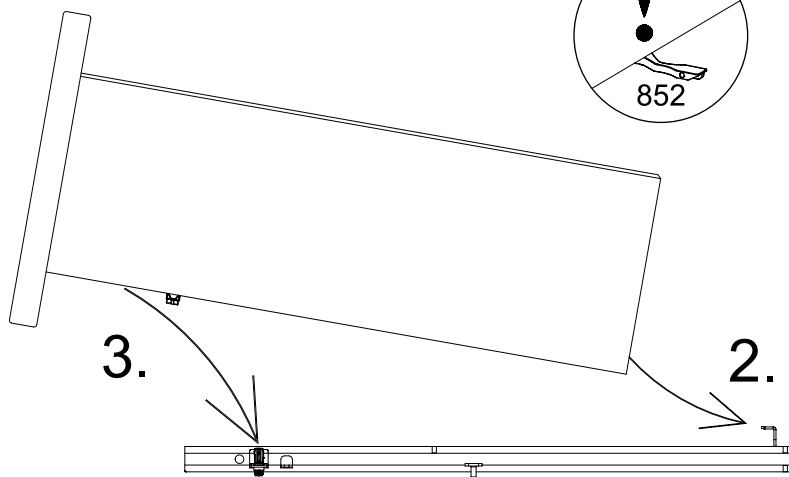
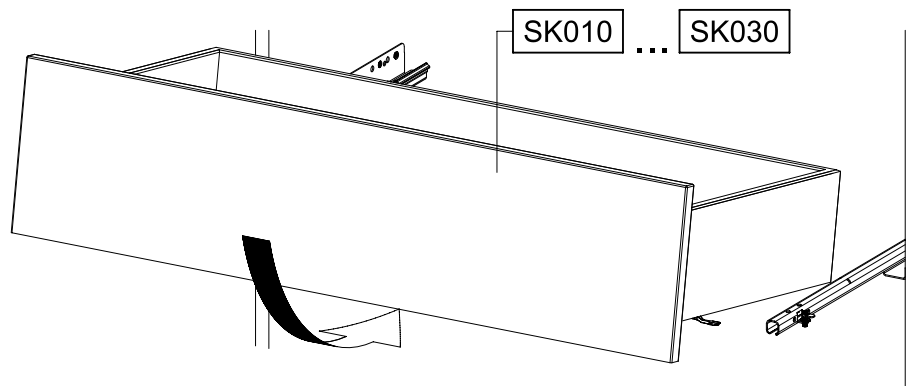
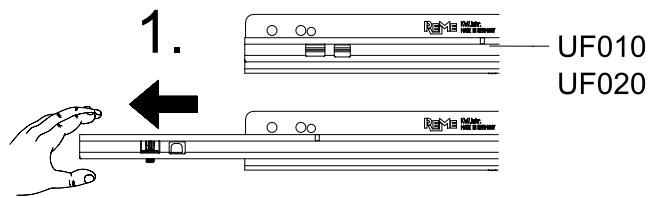
852

852

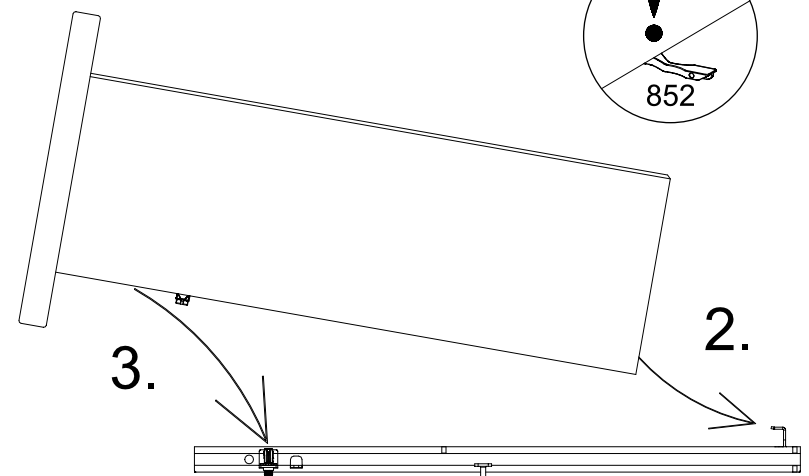
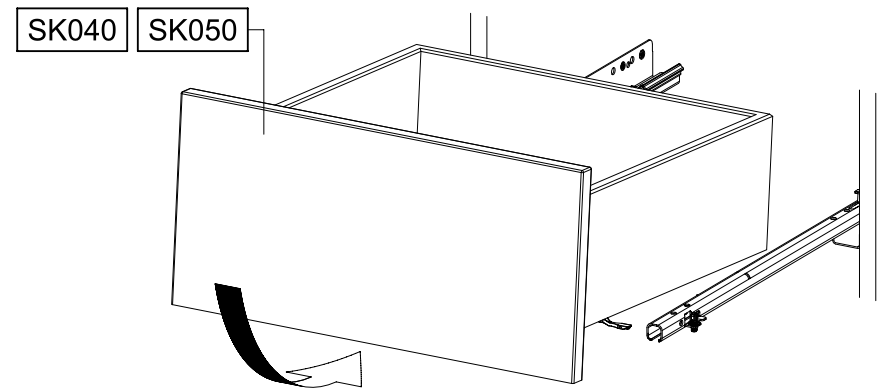
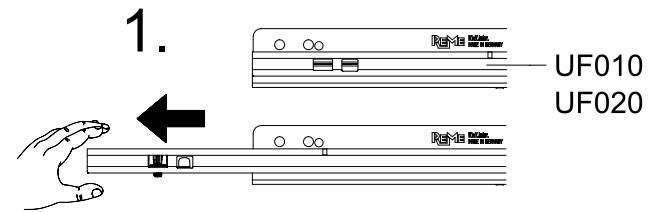
SK010 ... SK030



33



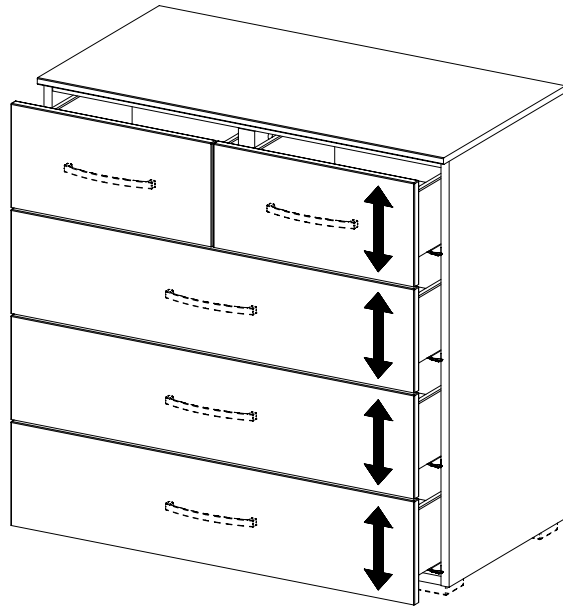
34



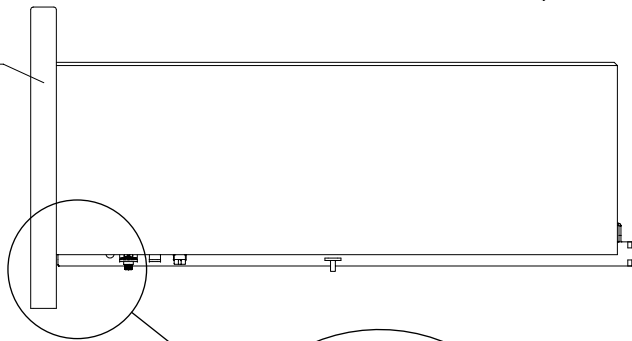
35



SCAN ME

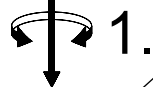
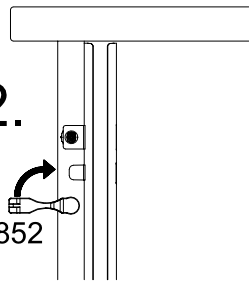


SK010  
SK020  
SK030  
SK040  
SK050



2.

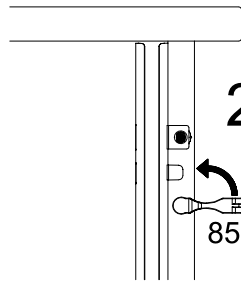
852



1.

2.

852



max.  
20kg

