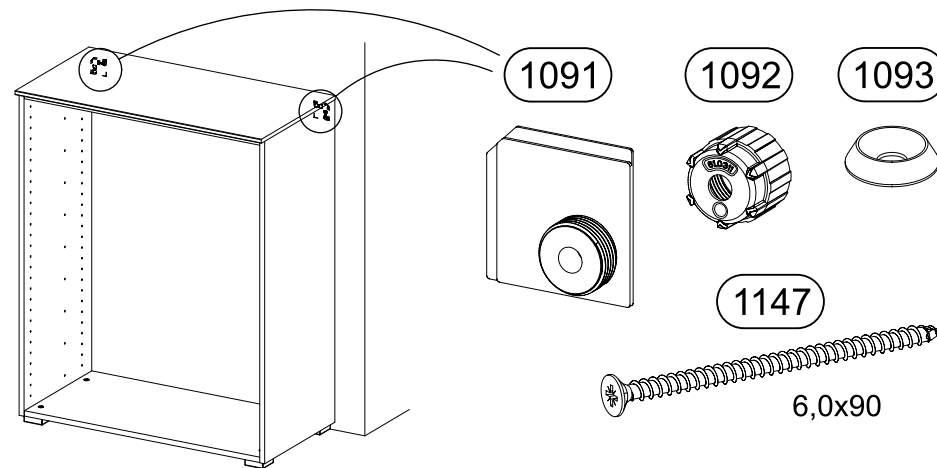
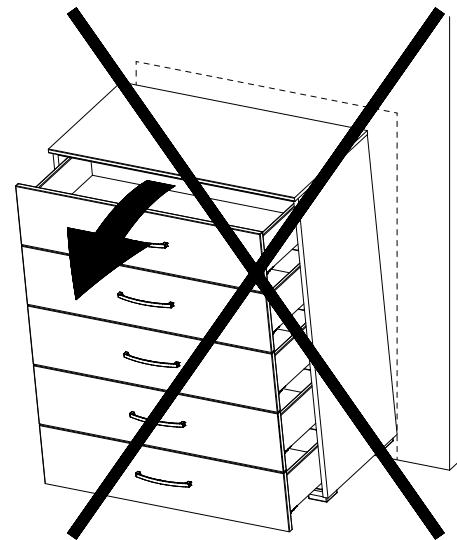
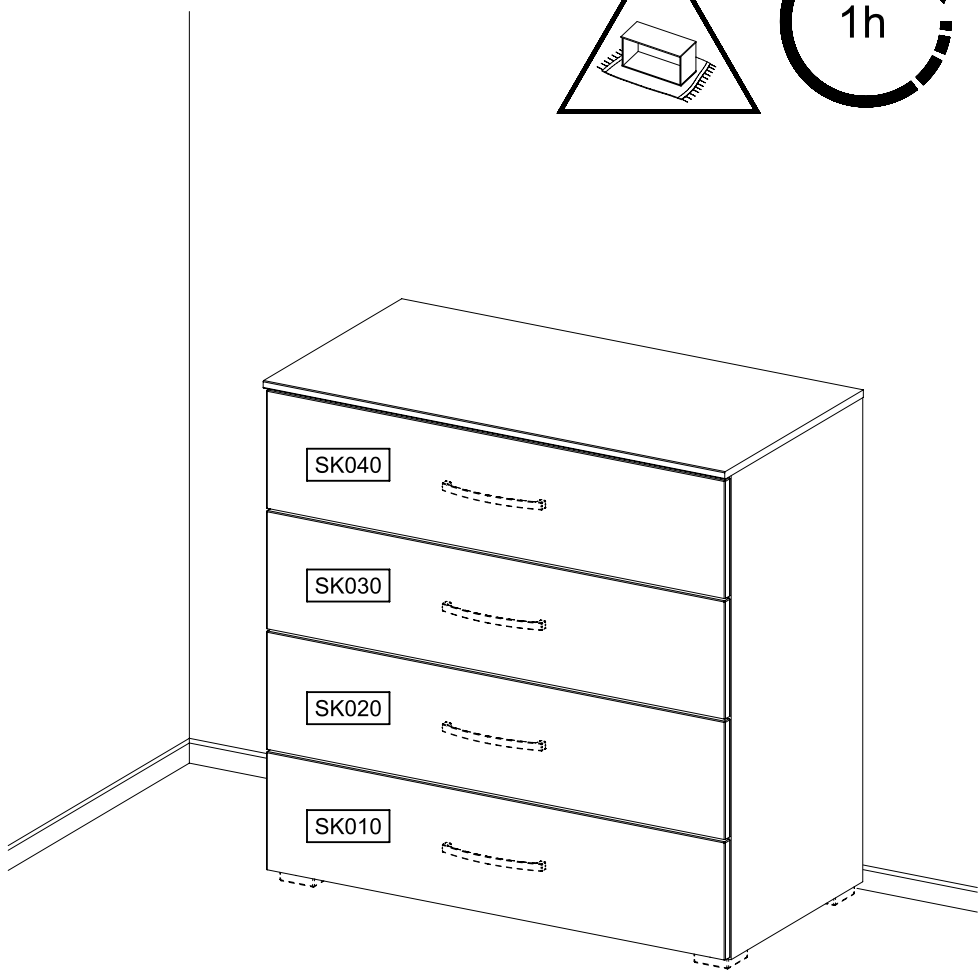
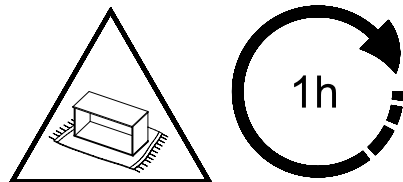
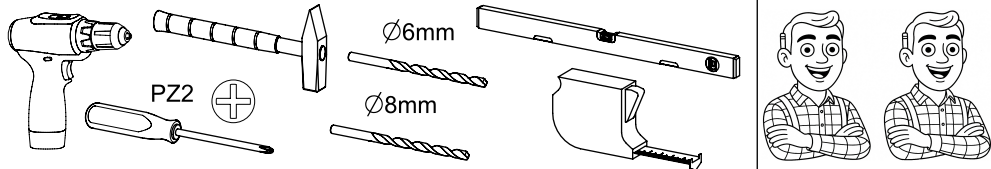


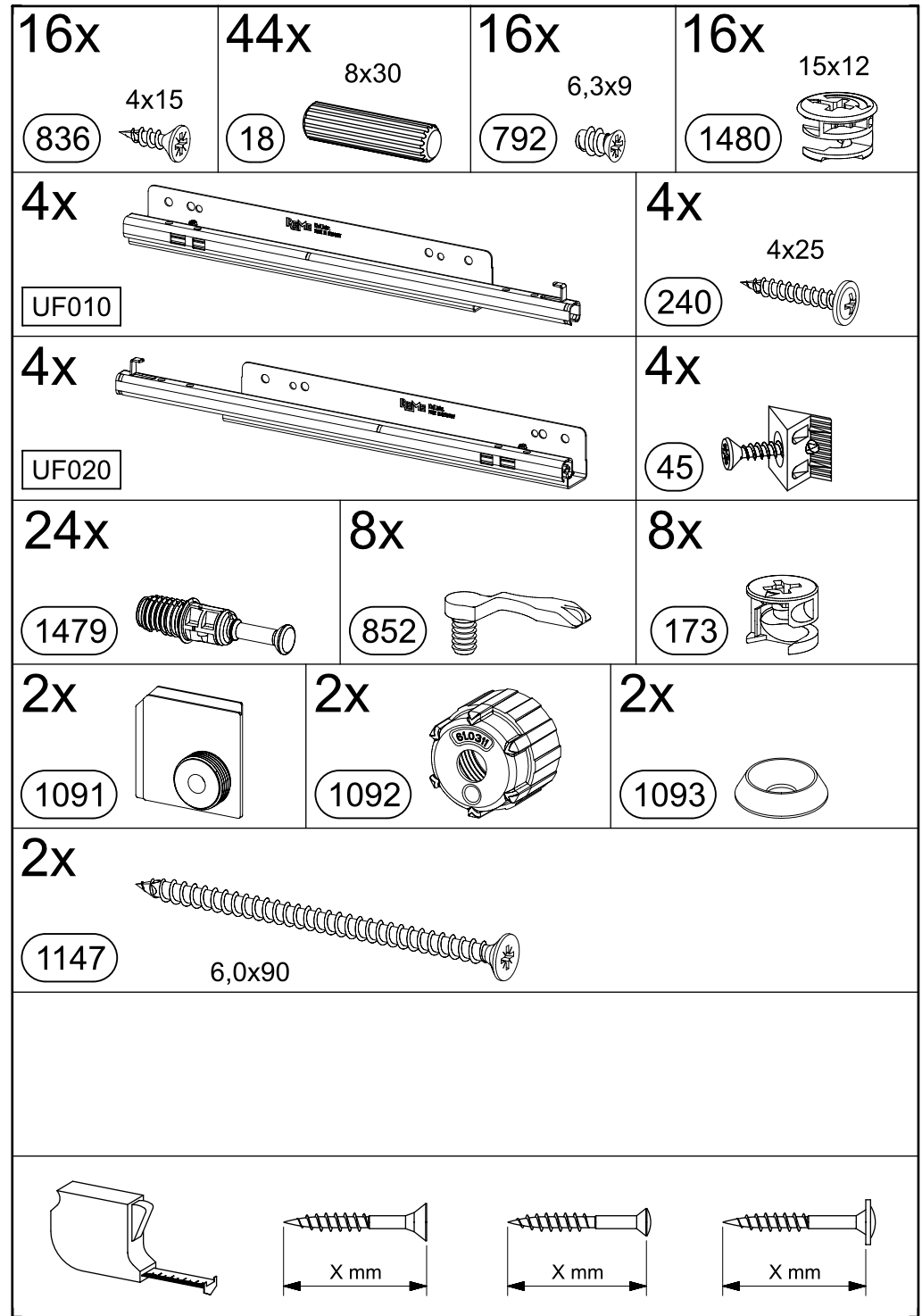
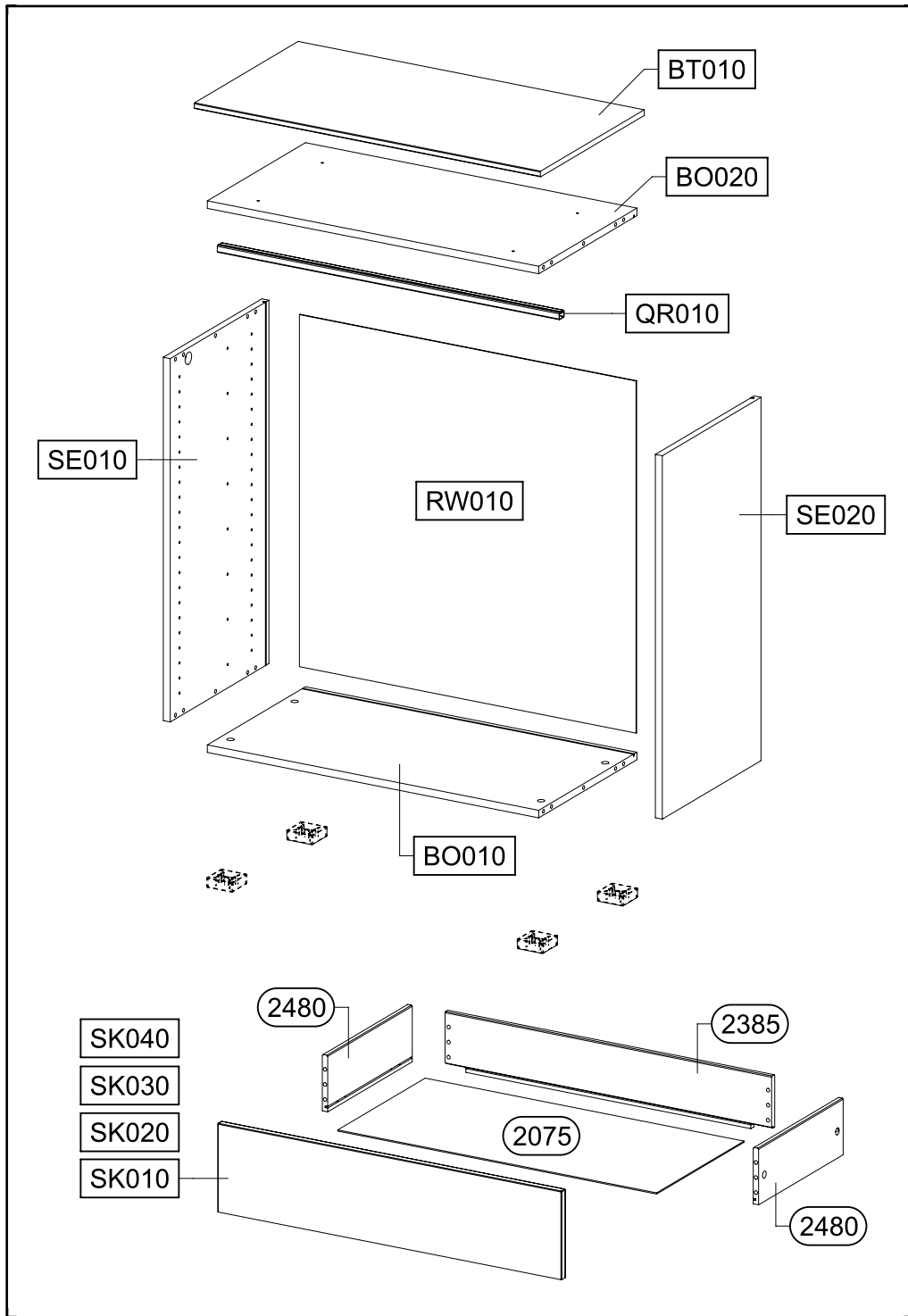
M3096_02




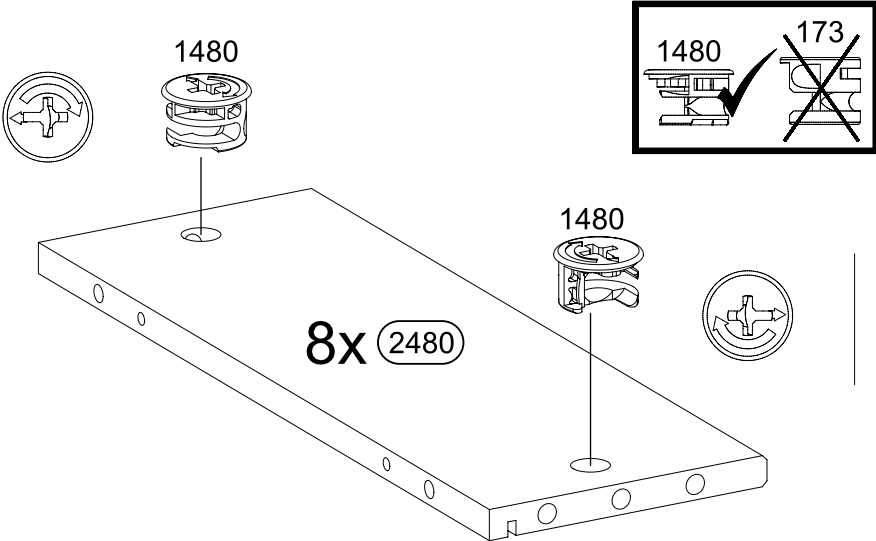
VIDEO



SCAN ME



1 **16x** 1480 ^{15x12} 

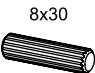


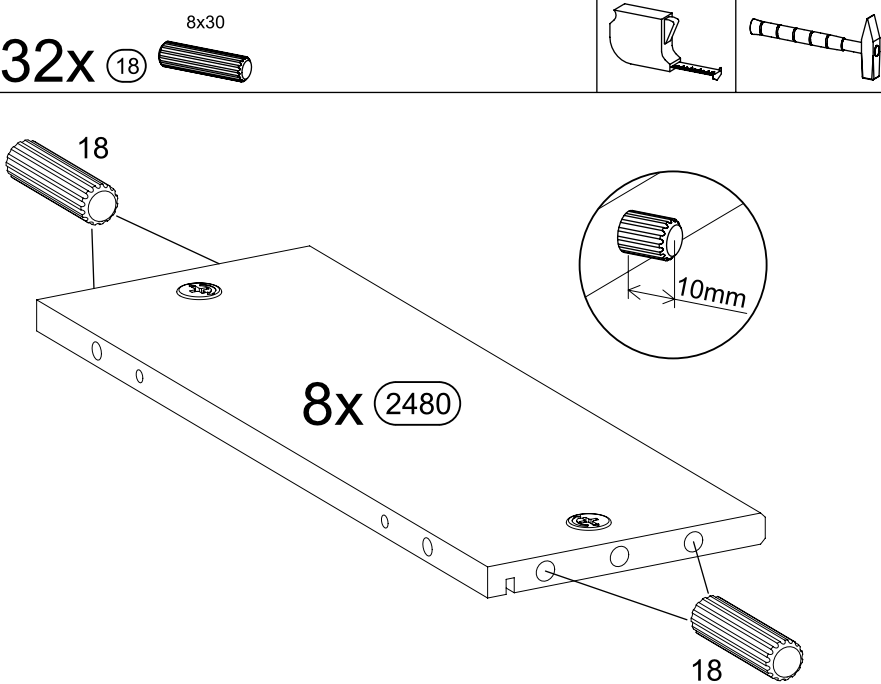
1480

1480

8x 2480

173

2 **32x** 18 ^{8x30} 




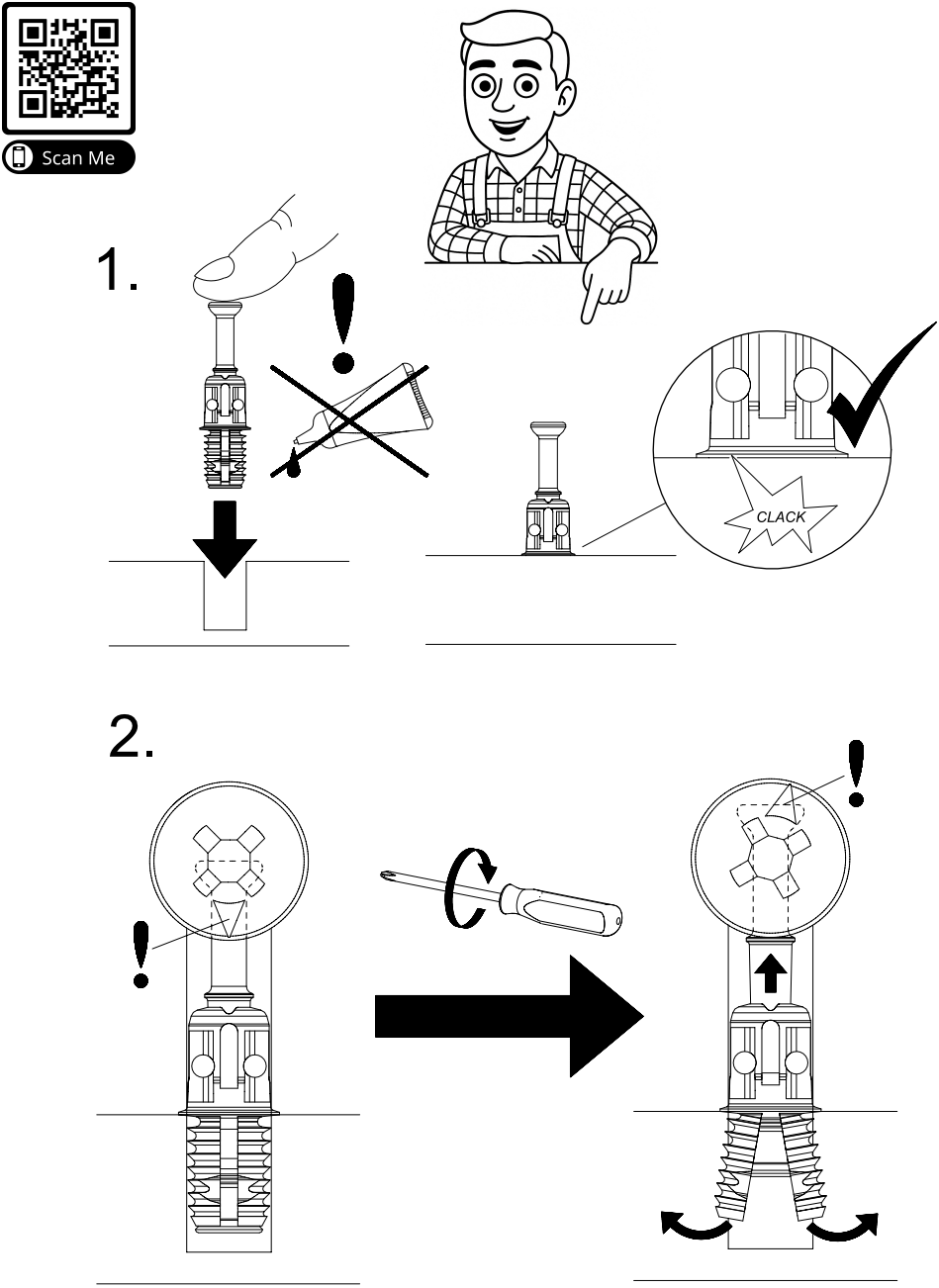
18

8x 2480

10mm

18

3 **Function!**  1479




Scan Me

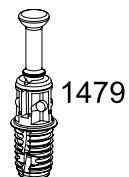
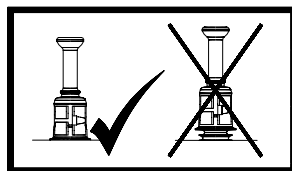
1.

CLACK

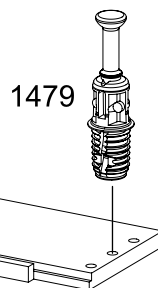
2.

4


8x 1479 

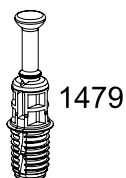
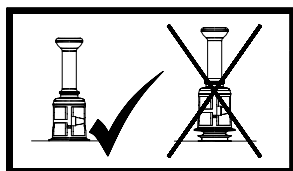


4x 2385



5

8x 1479 

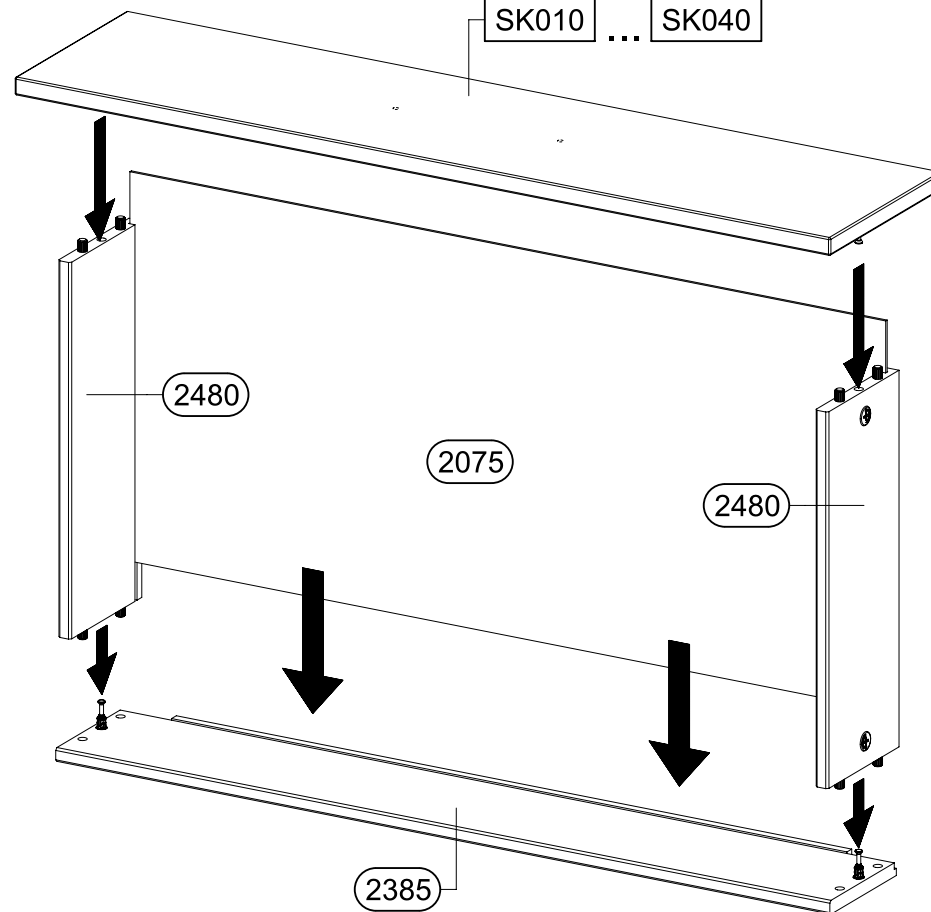


SK010 ... SK040

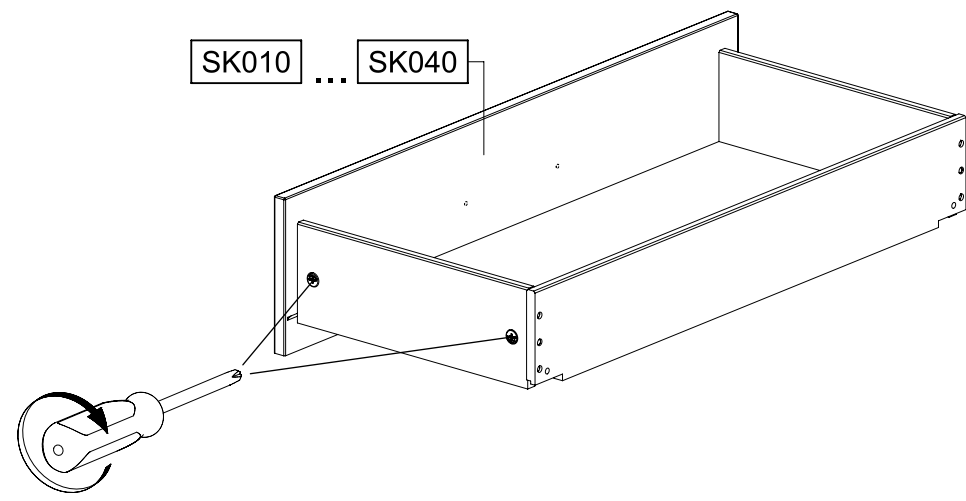
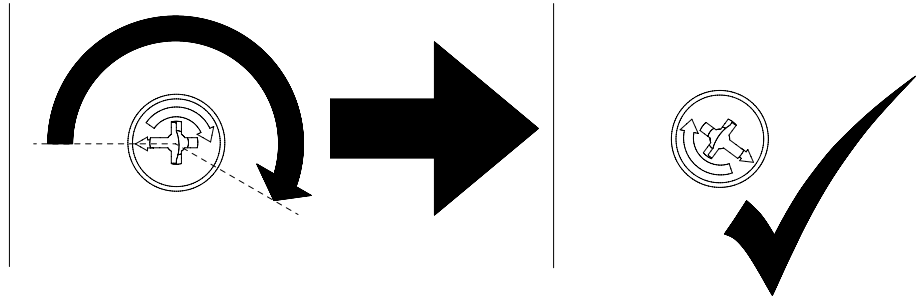
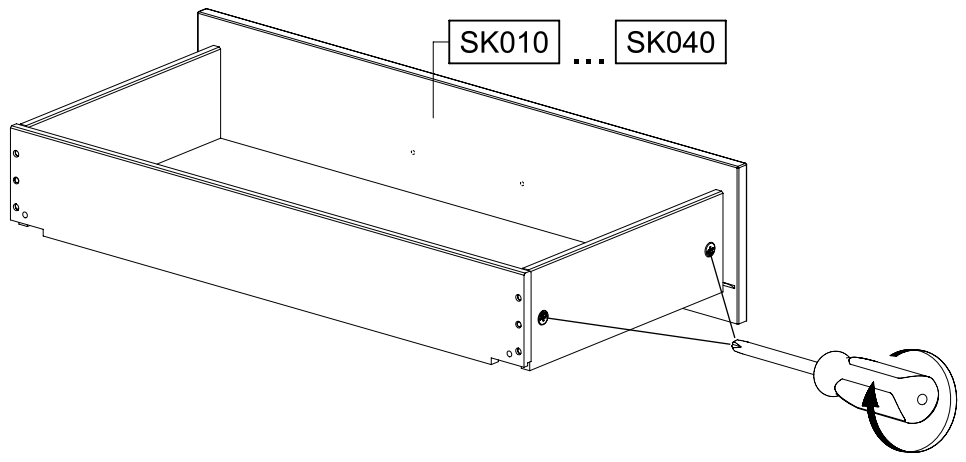
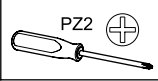
6

4x

SK010 ... SK040

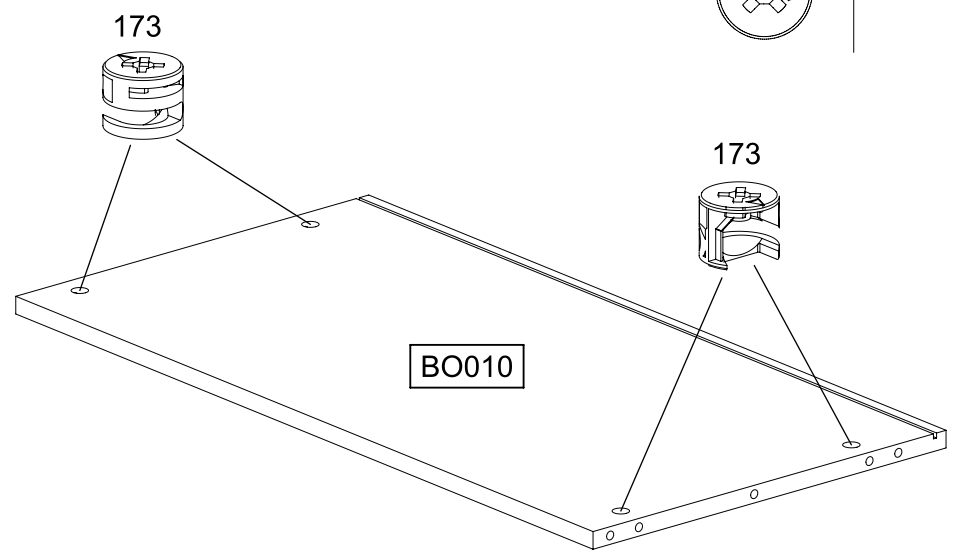
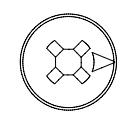
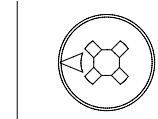
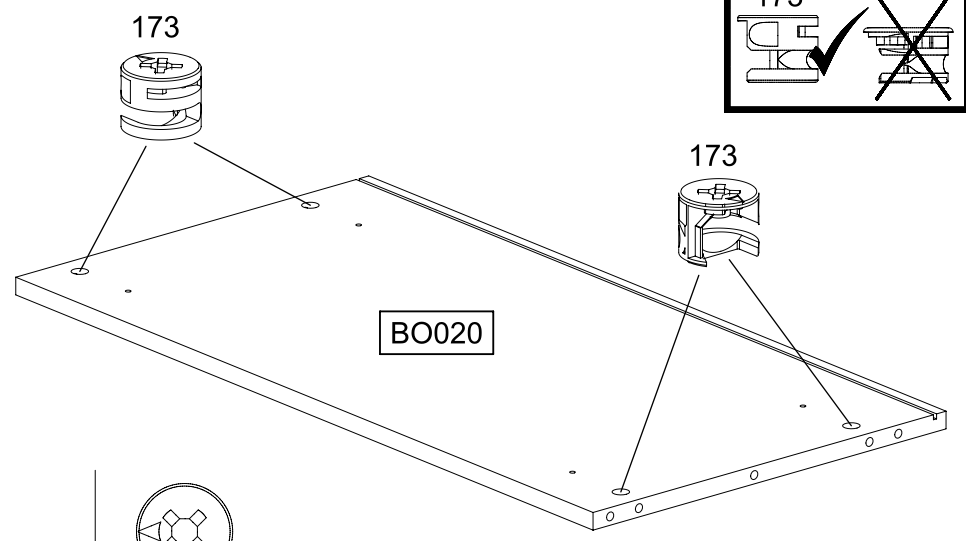
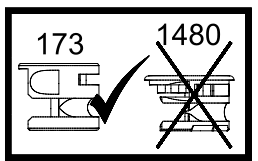


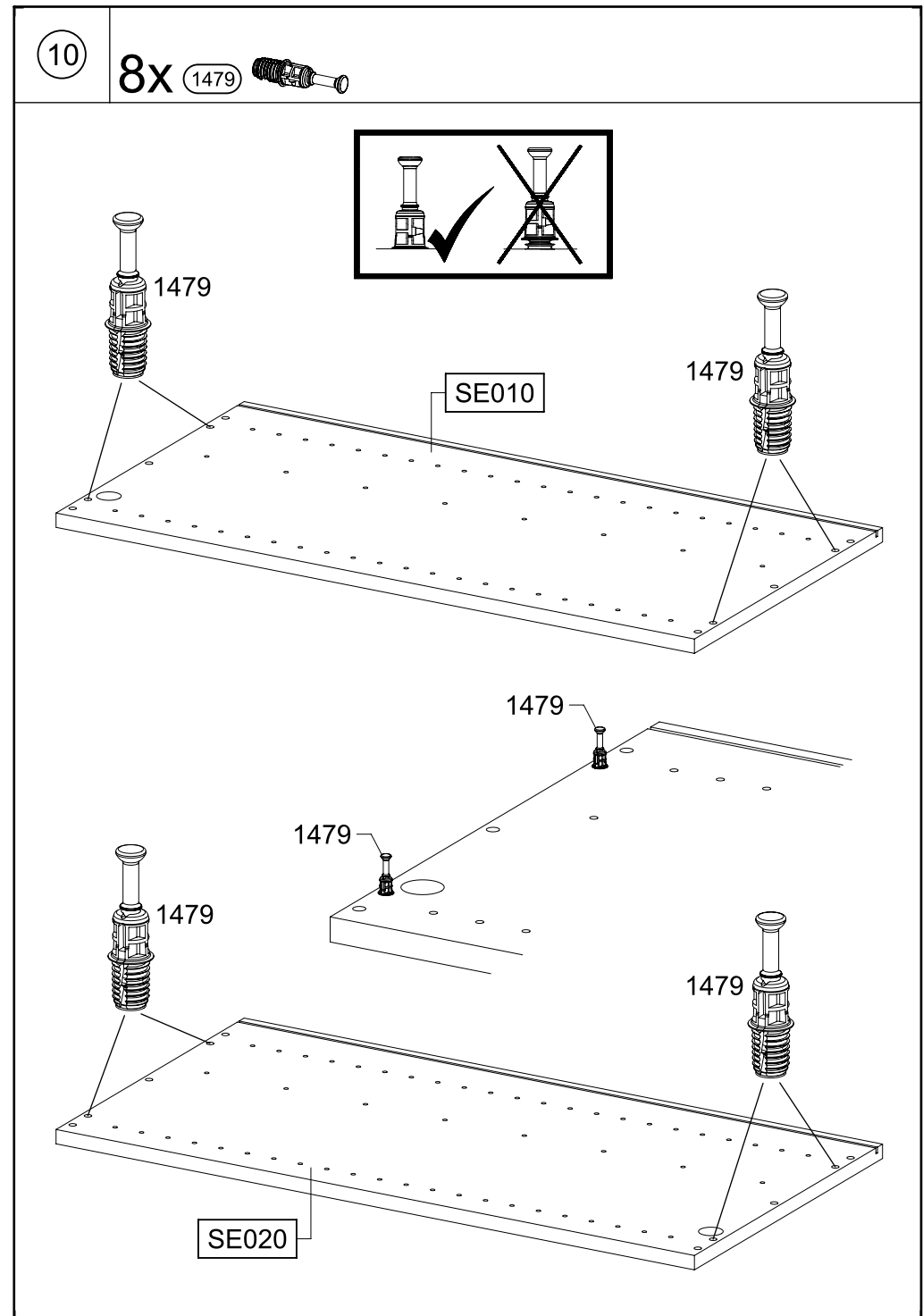
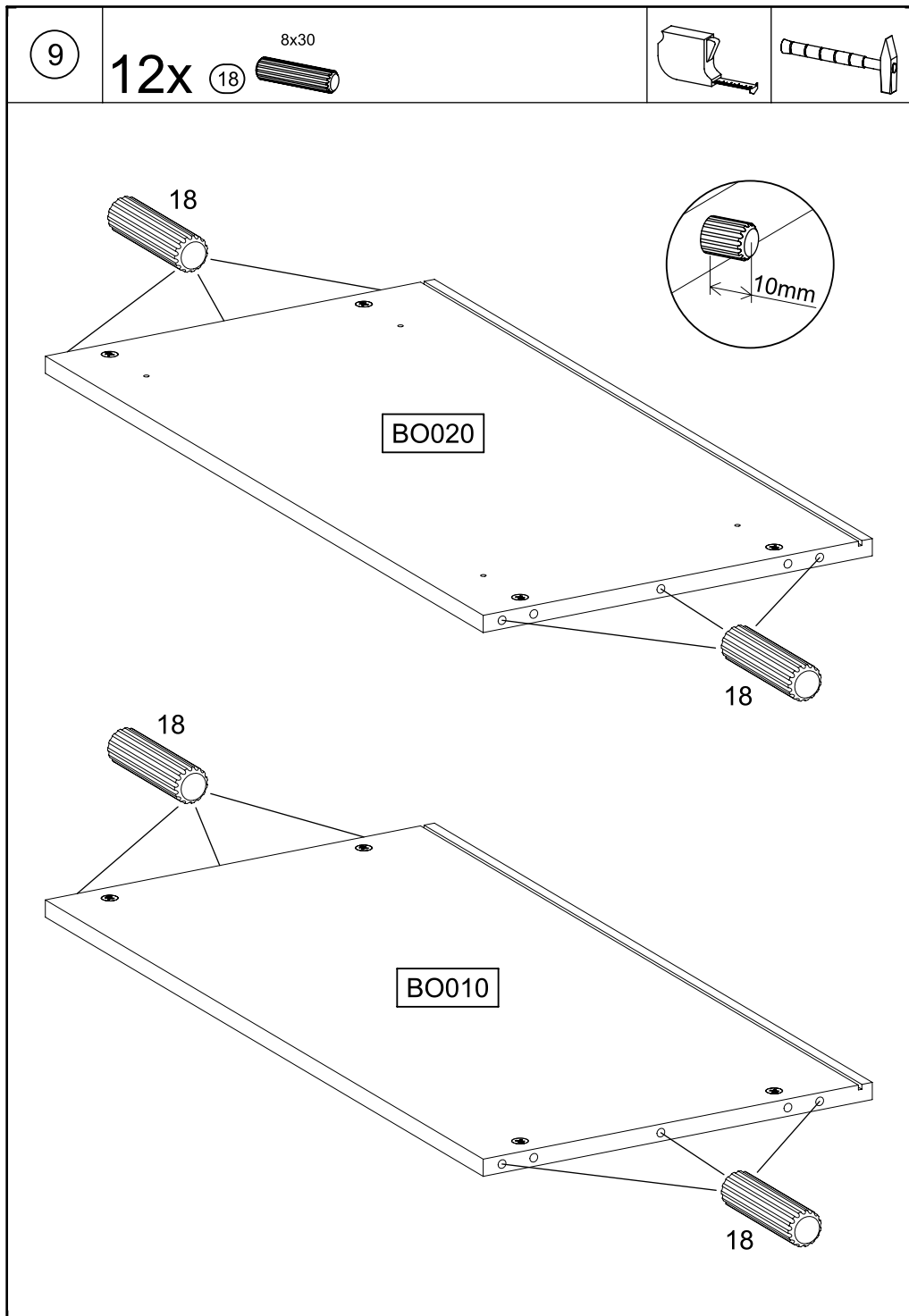
7



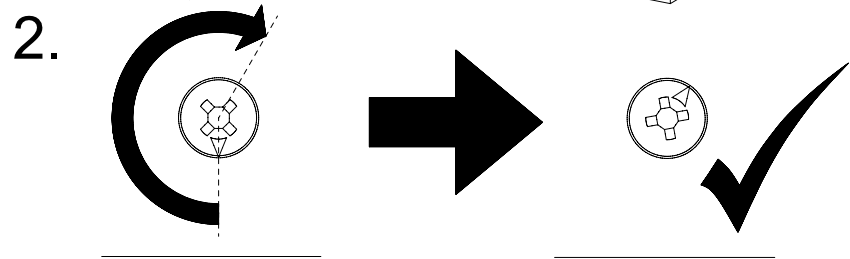
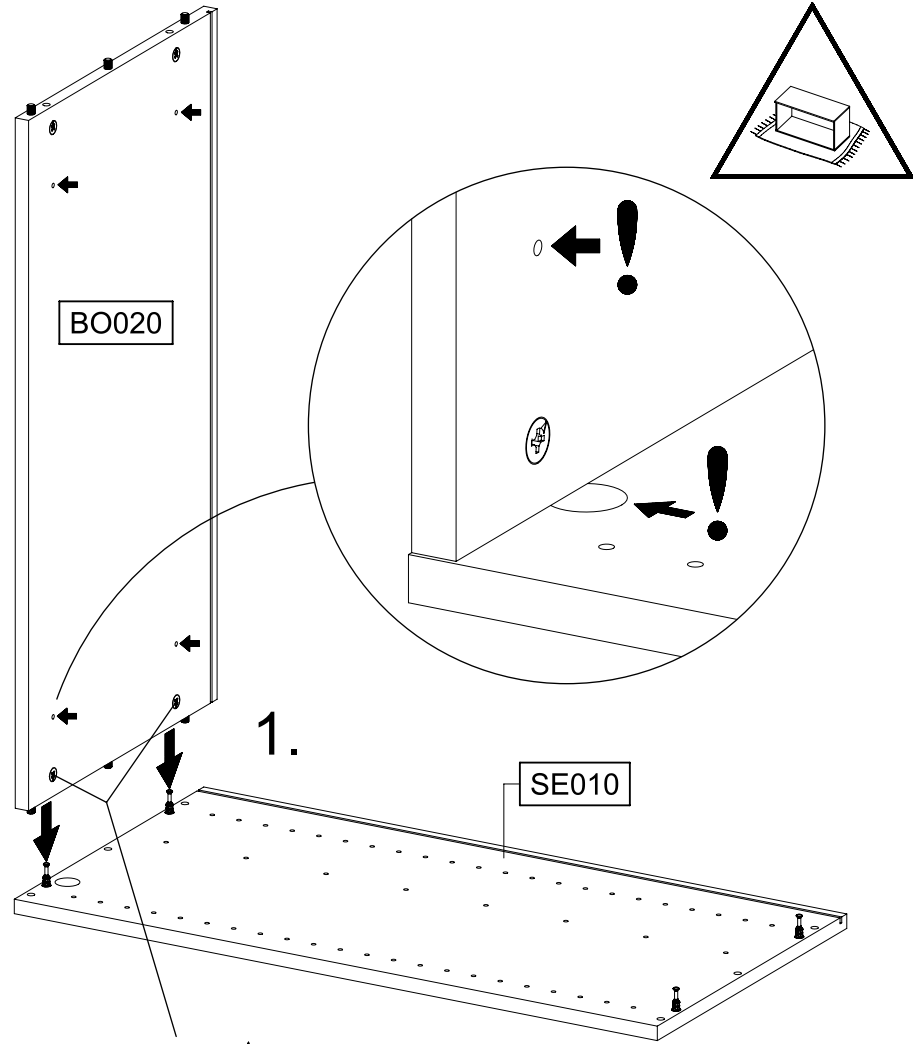
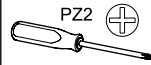
8

8x 173

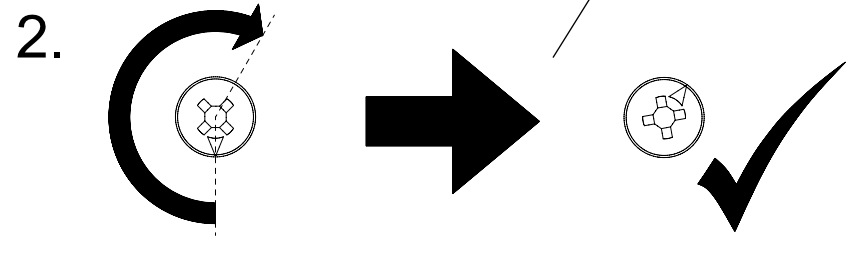
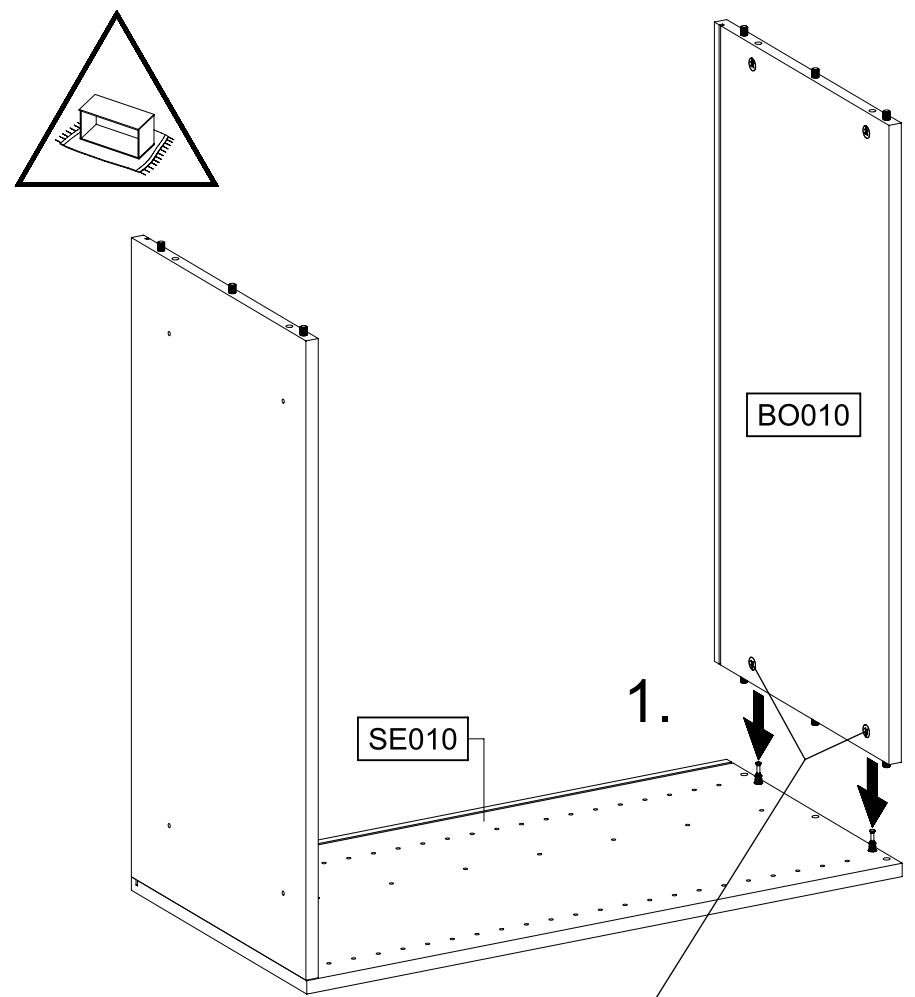
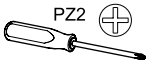




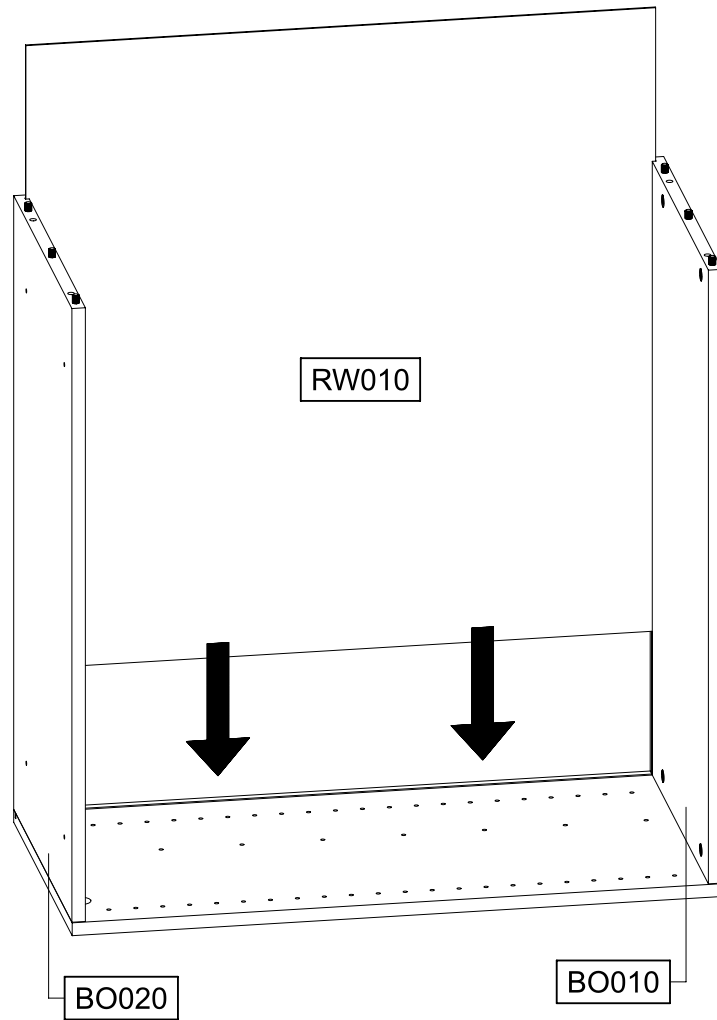
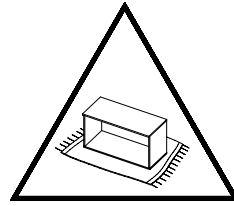
11



12

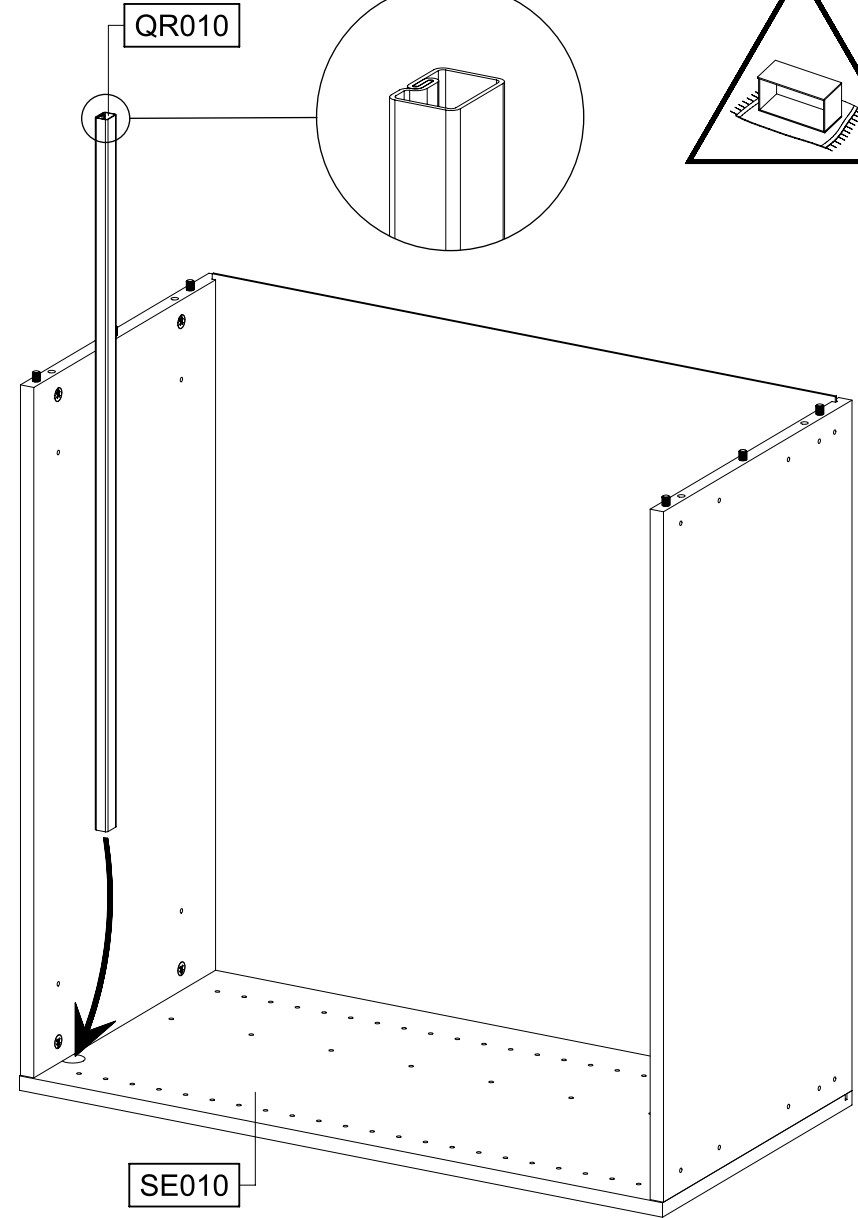
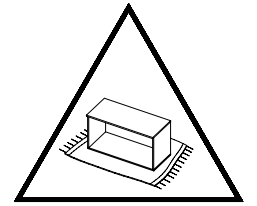
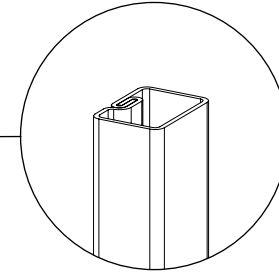


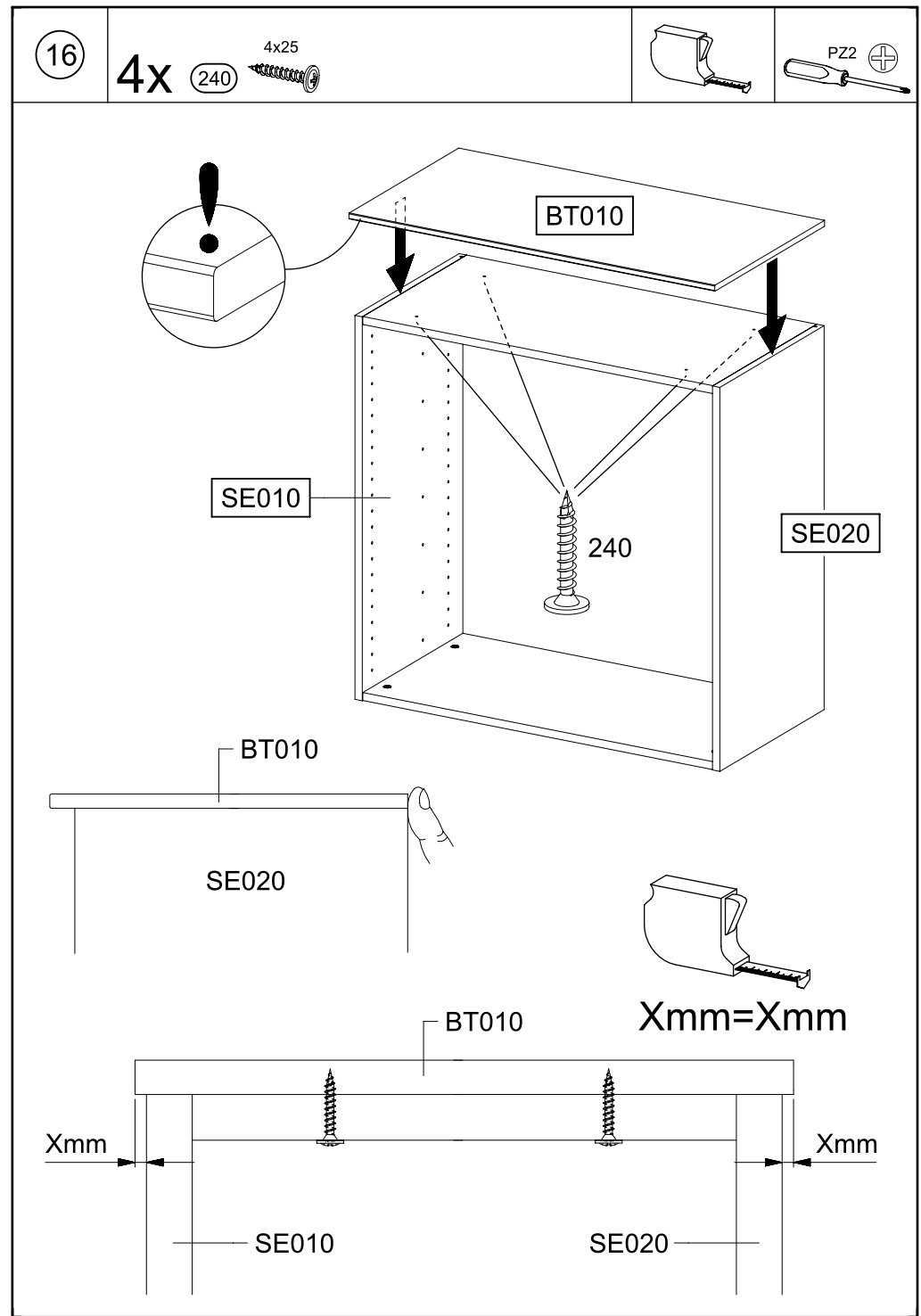
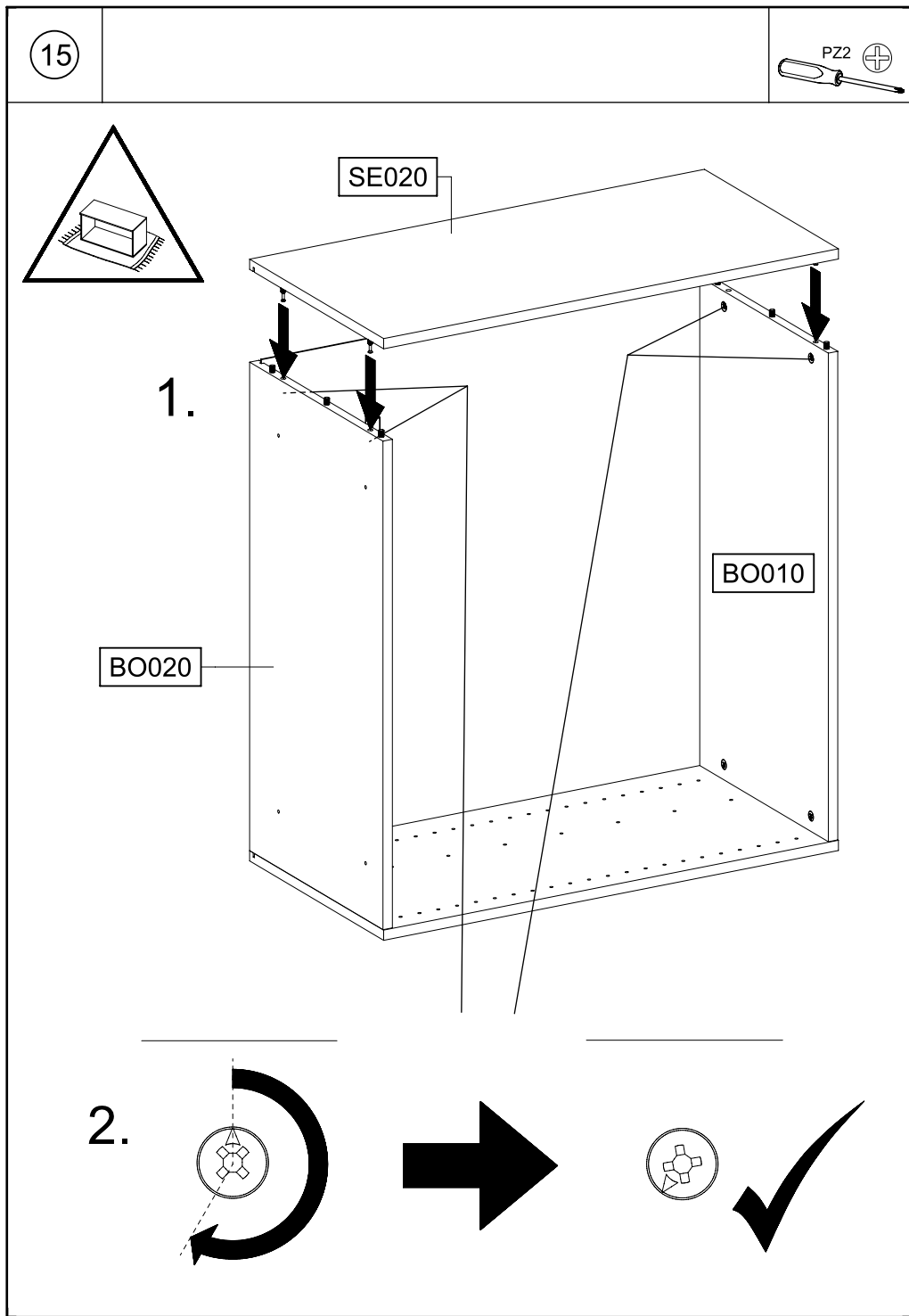
13



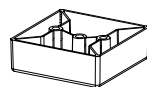
14

QR010

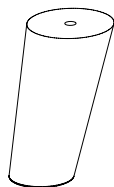




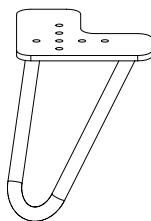
17



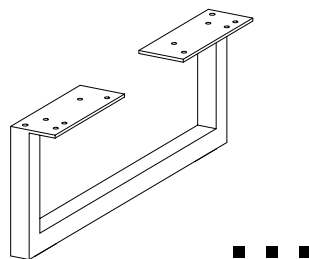
1207



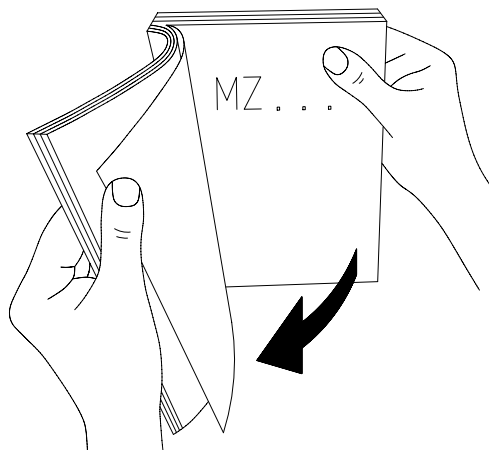
1481



1345



1348

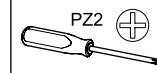
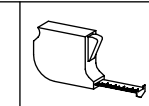
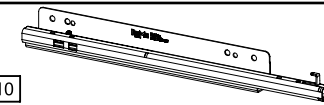


18

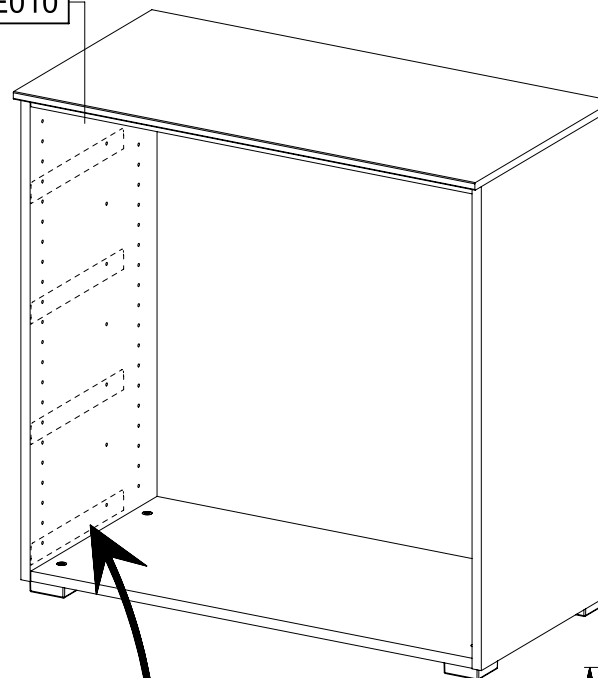
8x 792 6,3x9

8x 836 4x15

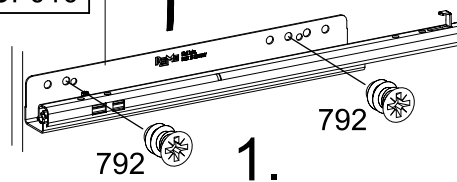
4x UF010



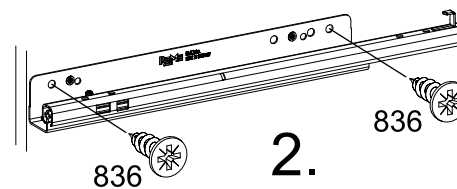
SE010



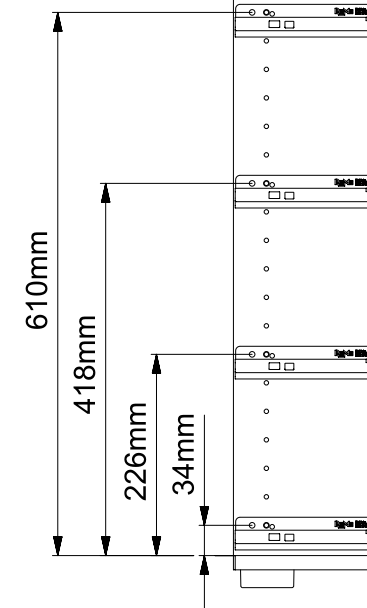
UF010

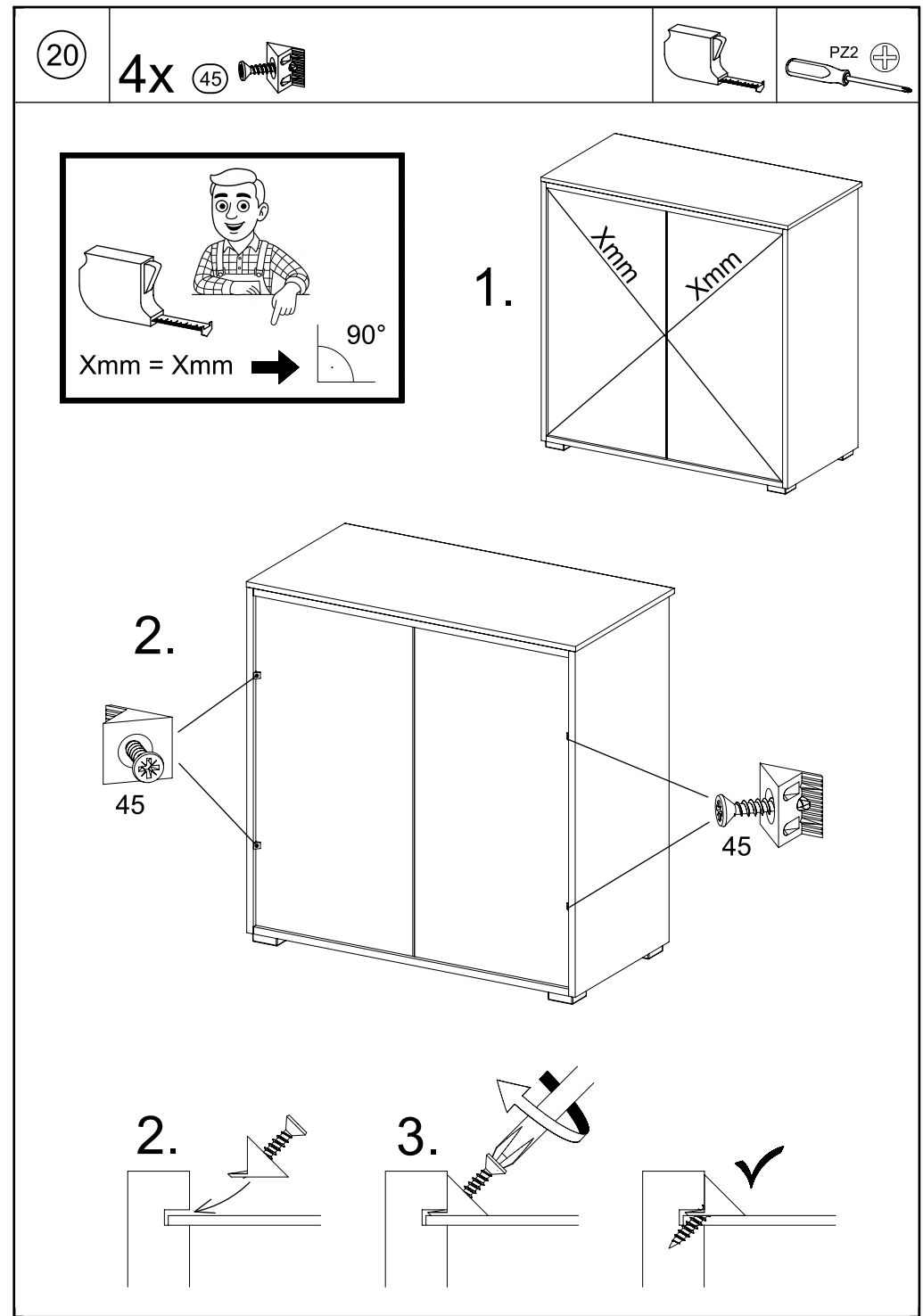
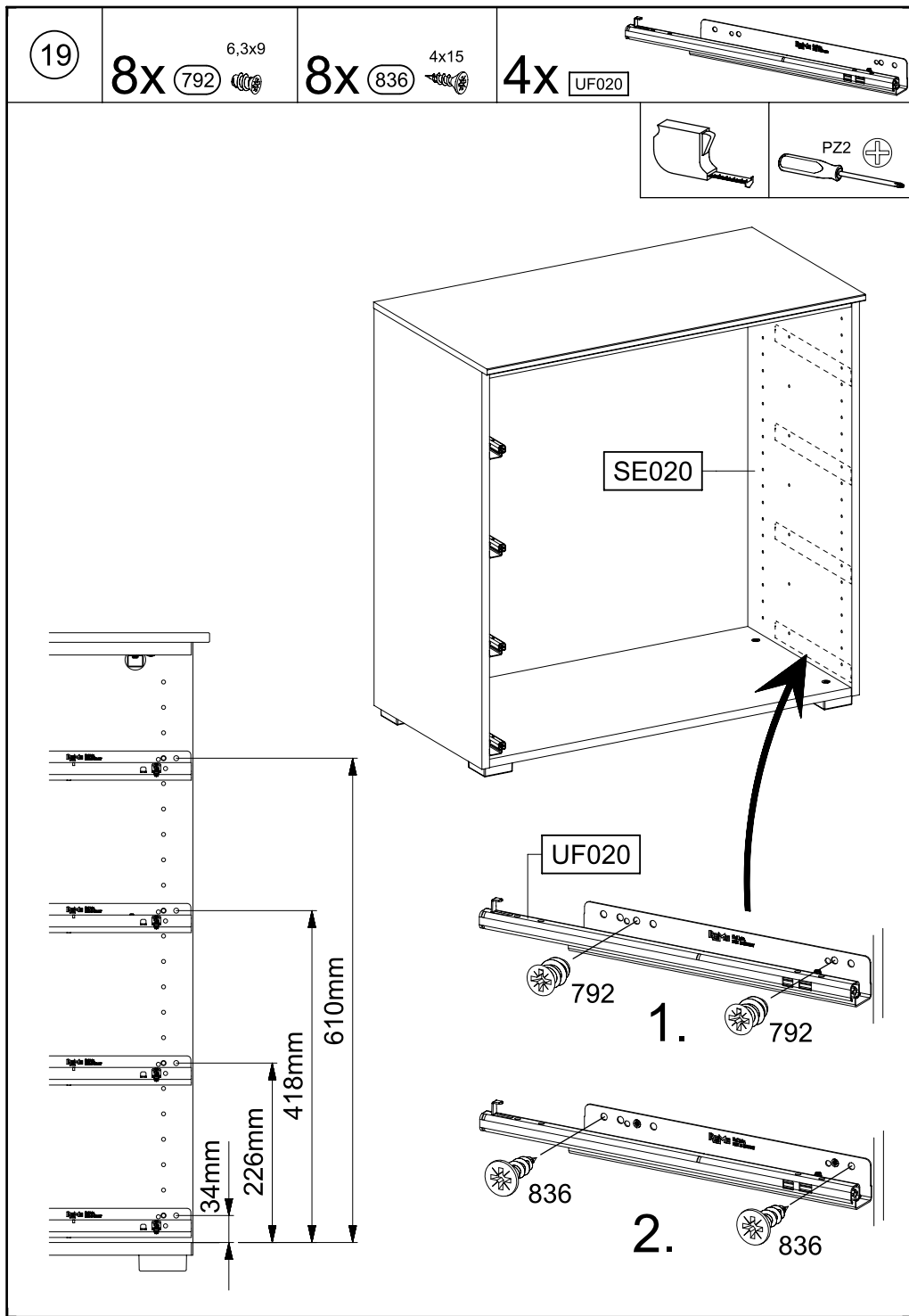


1.



2.



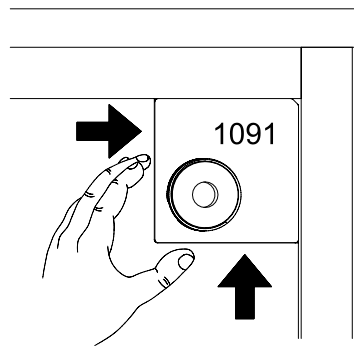
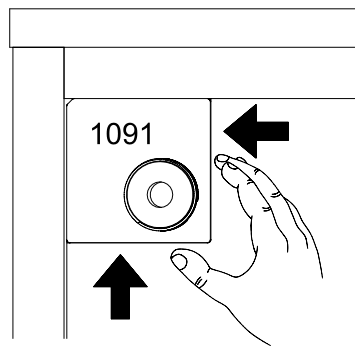
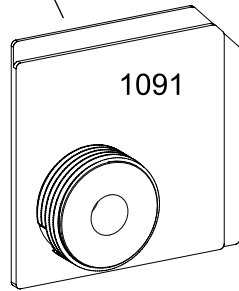
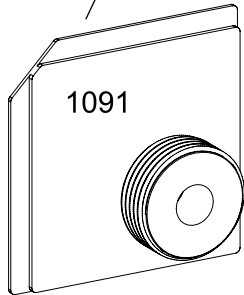
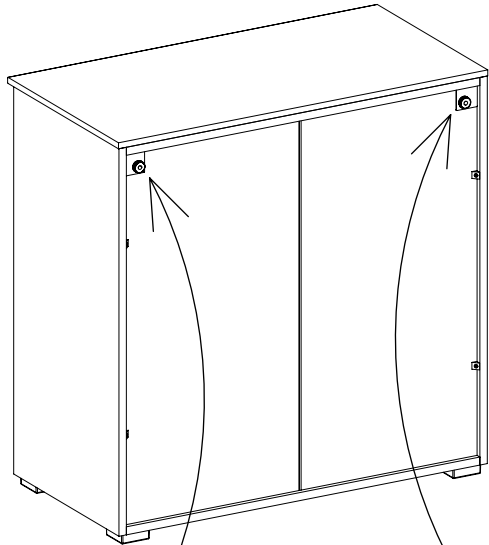


21

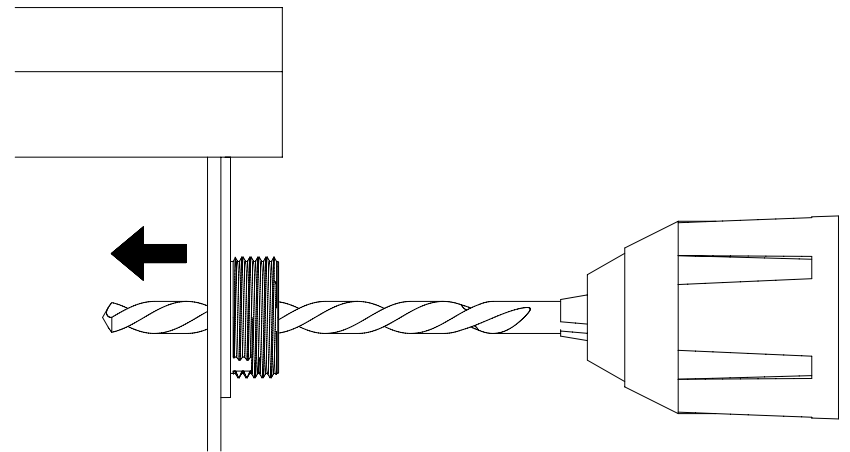
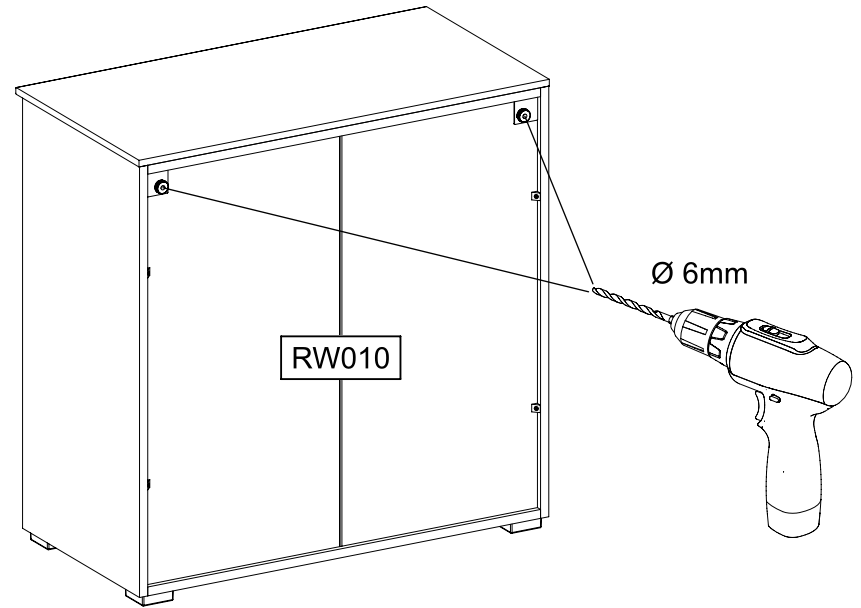
2x 1091

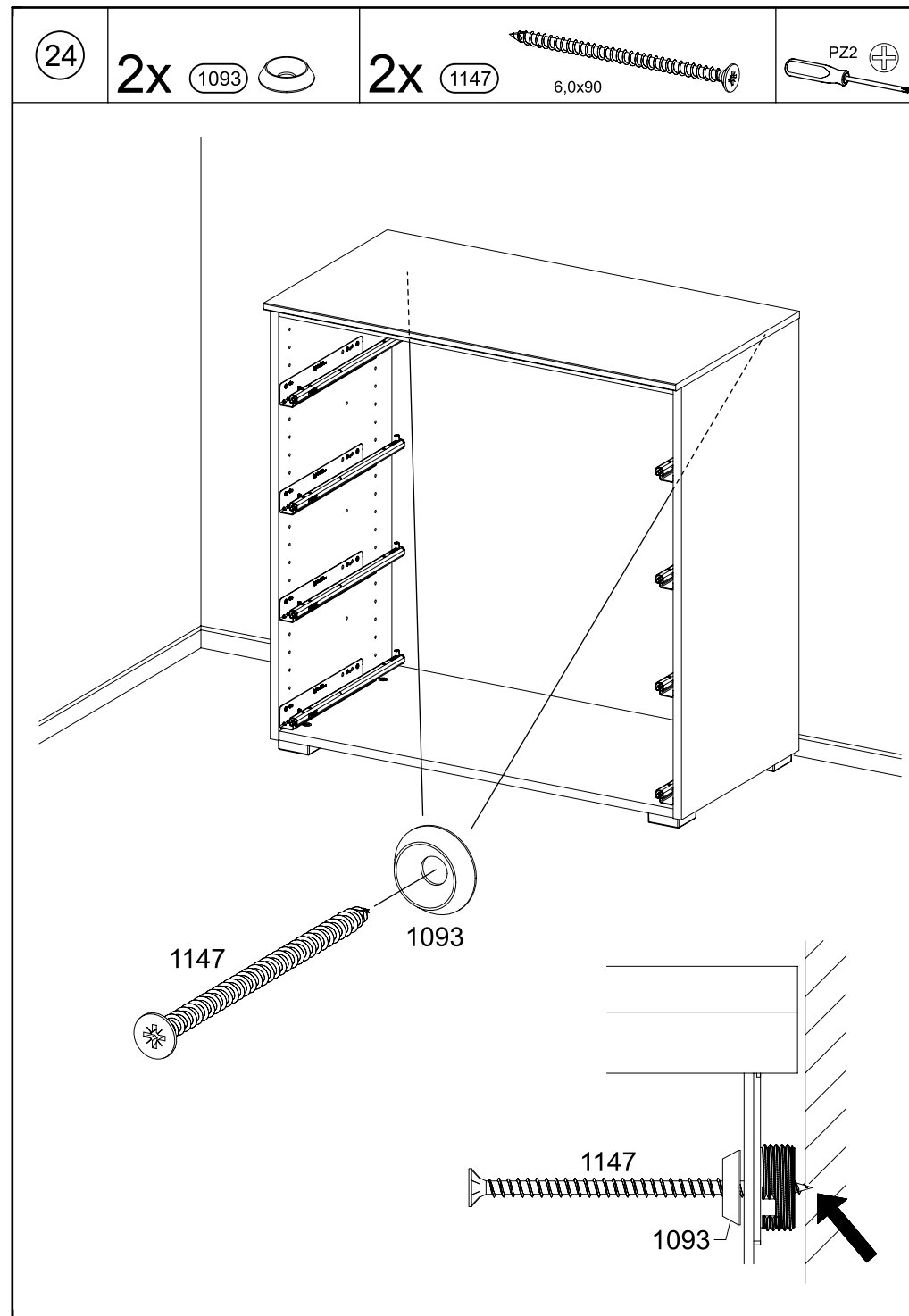
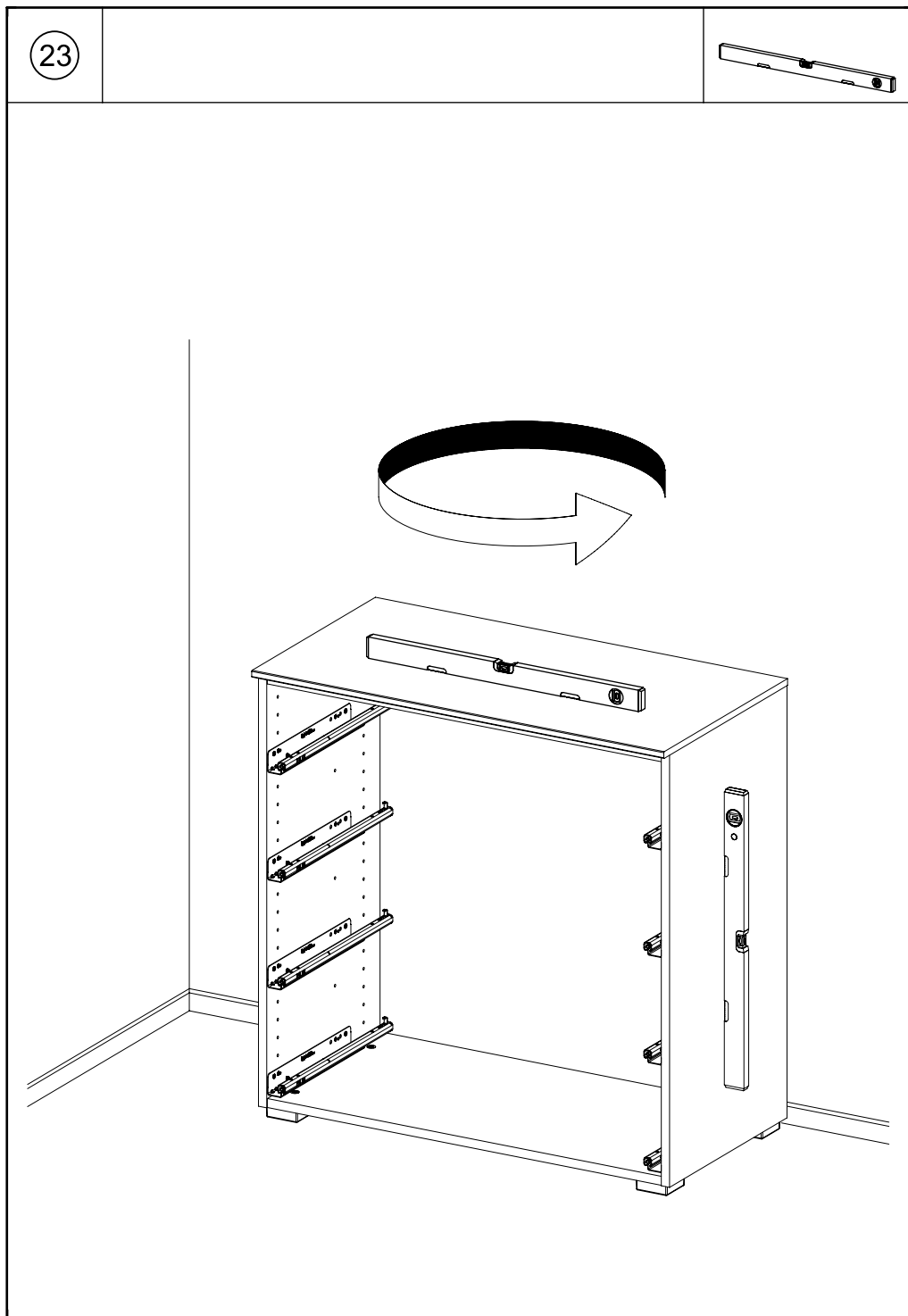


SCAN ME



22

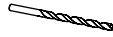




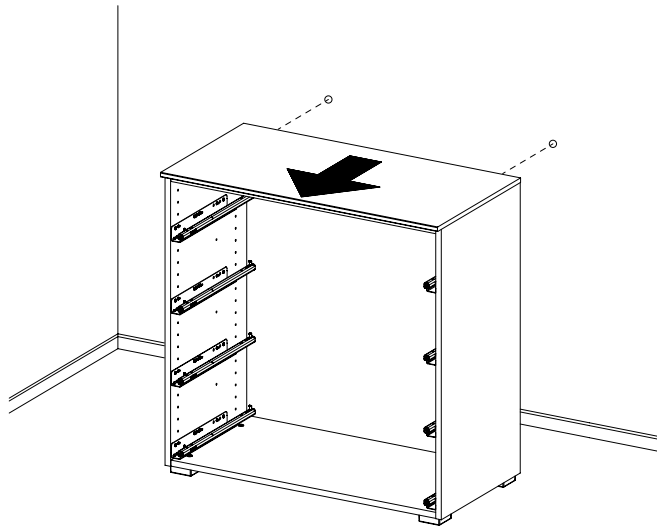
25



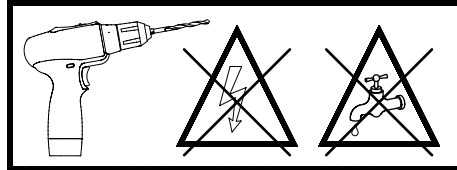
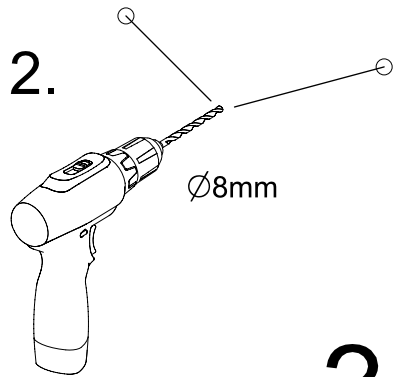
Ø8mm



1.

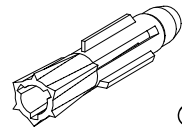
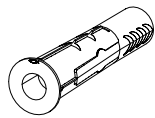
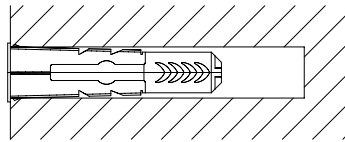


2.



?

3.

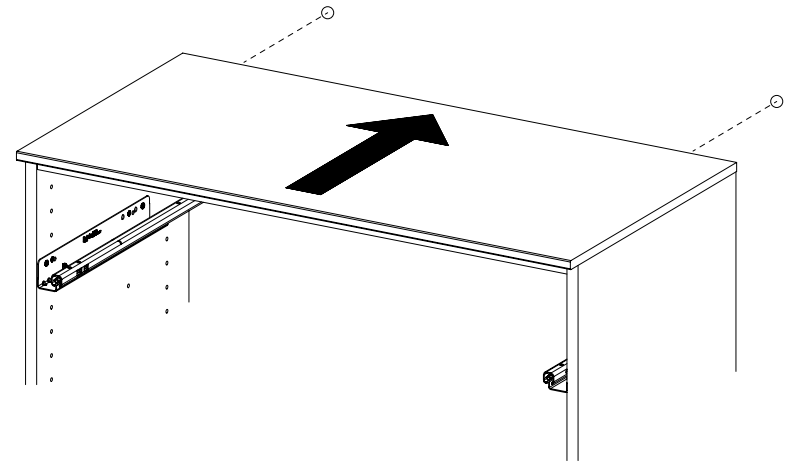
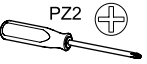


Ø8mm

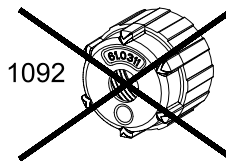
26

2x

1092



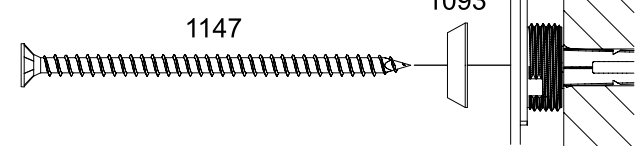
1092



2.

1147

1093



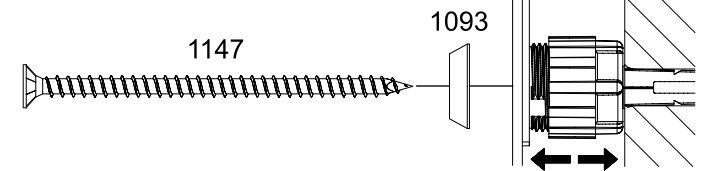
10-15mm



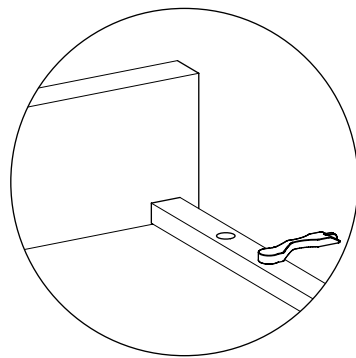
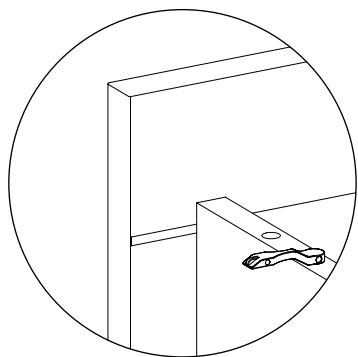
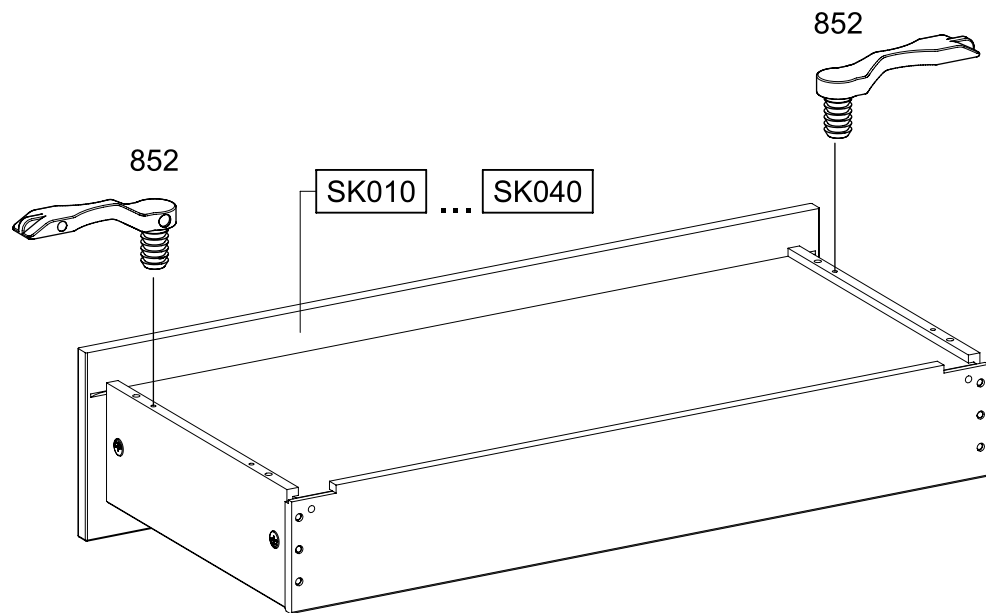
2.

1147

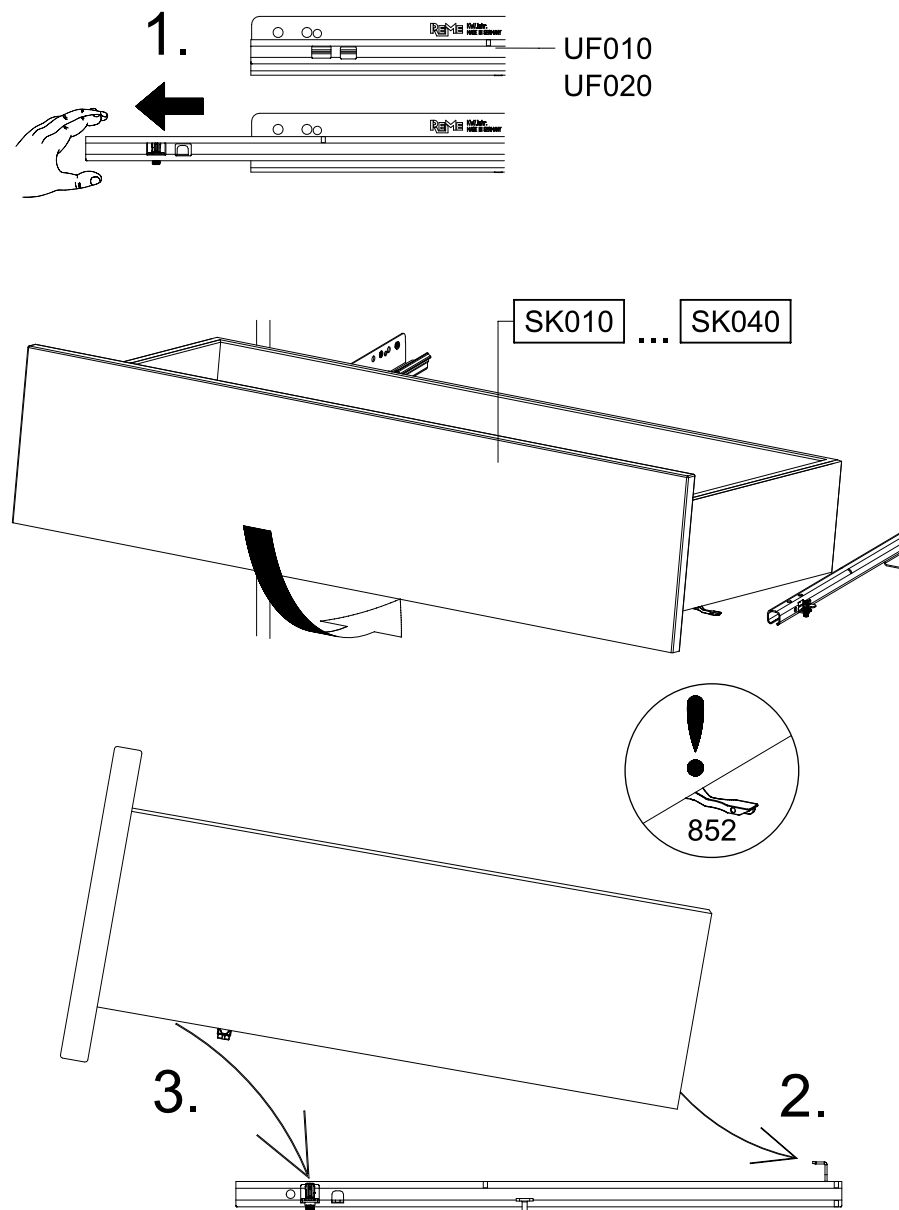
1093



27

8x 852 

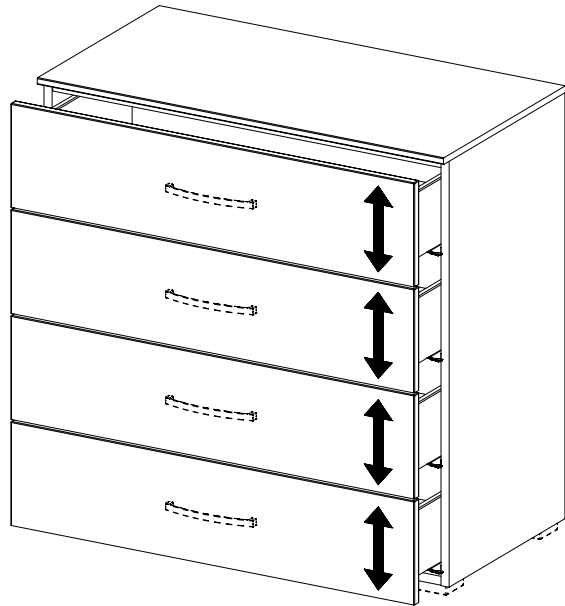
28



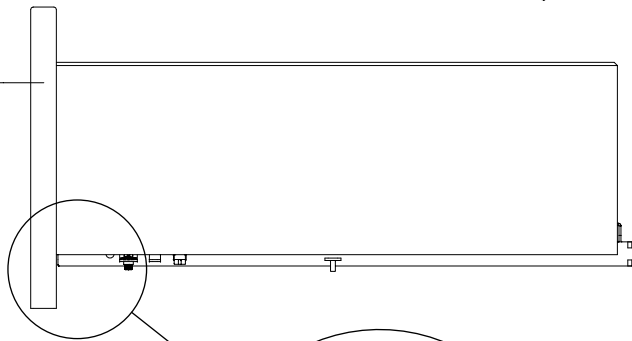
29



SCAN ME

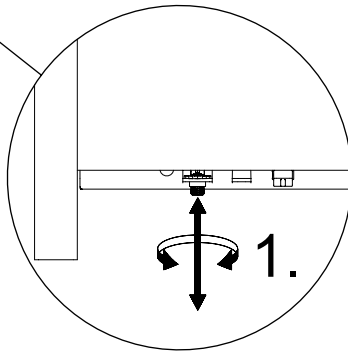
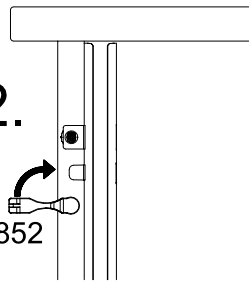


SK010
SK020
SK030
SK040



2.

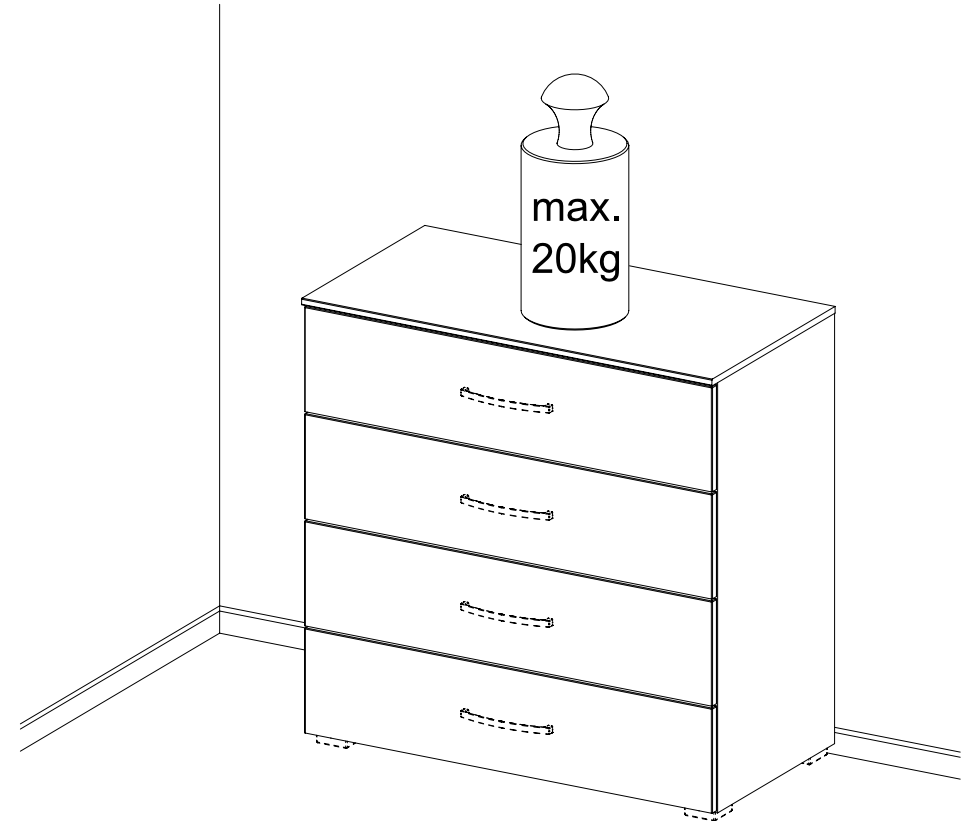
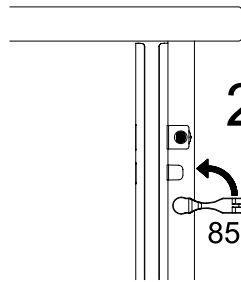
852



1.

2.

852



max.
20kg