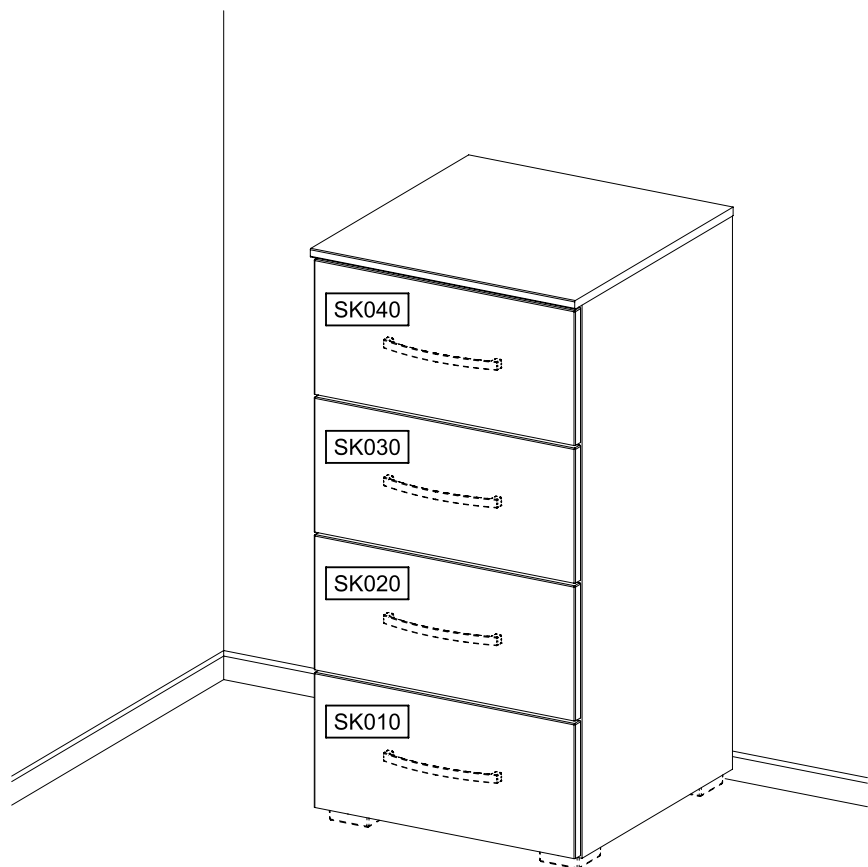
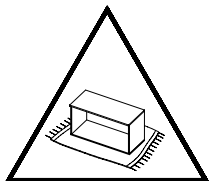
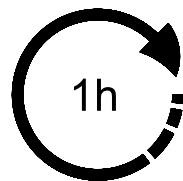
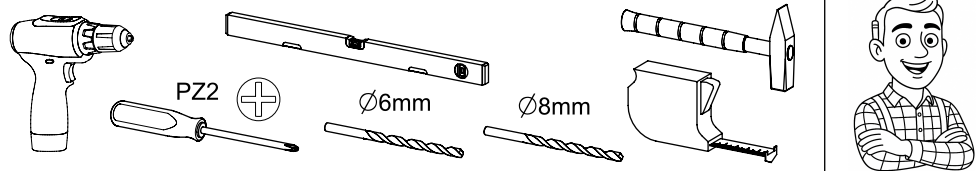
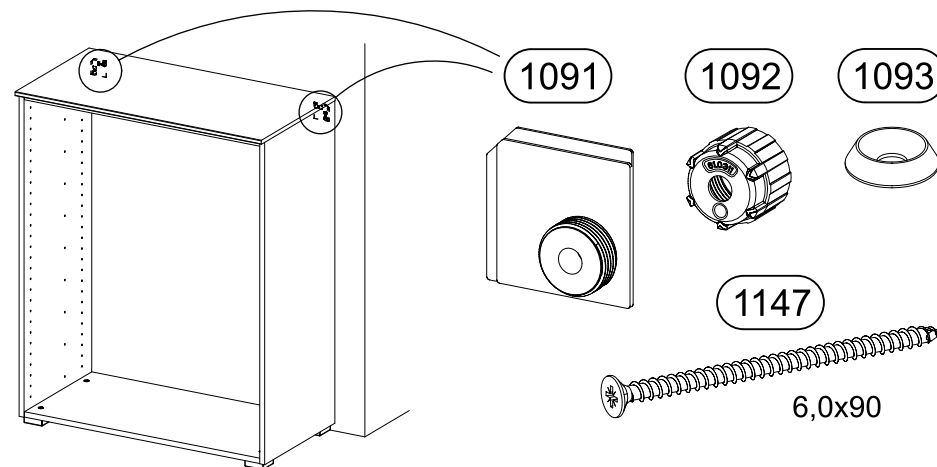
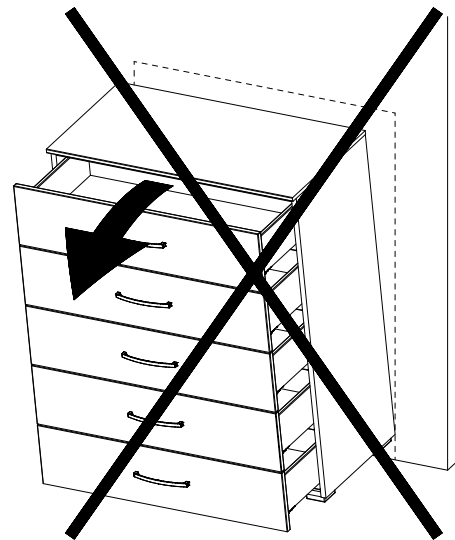


1.

M3095\_02



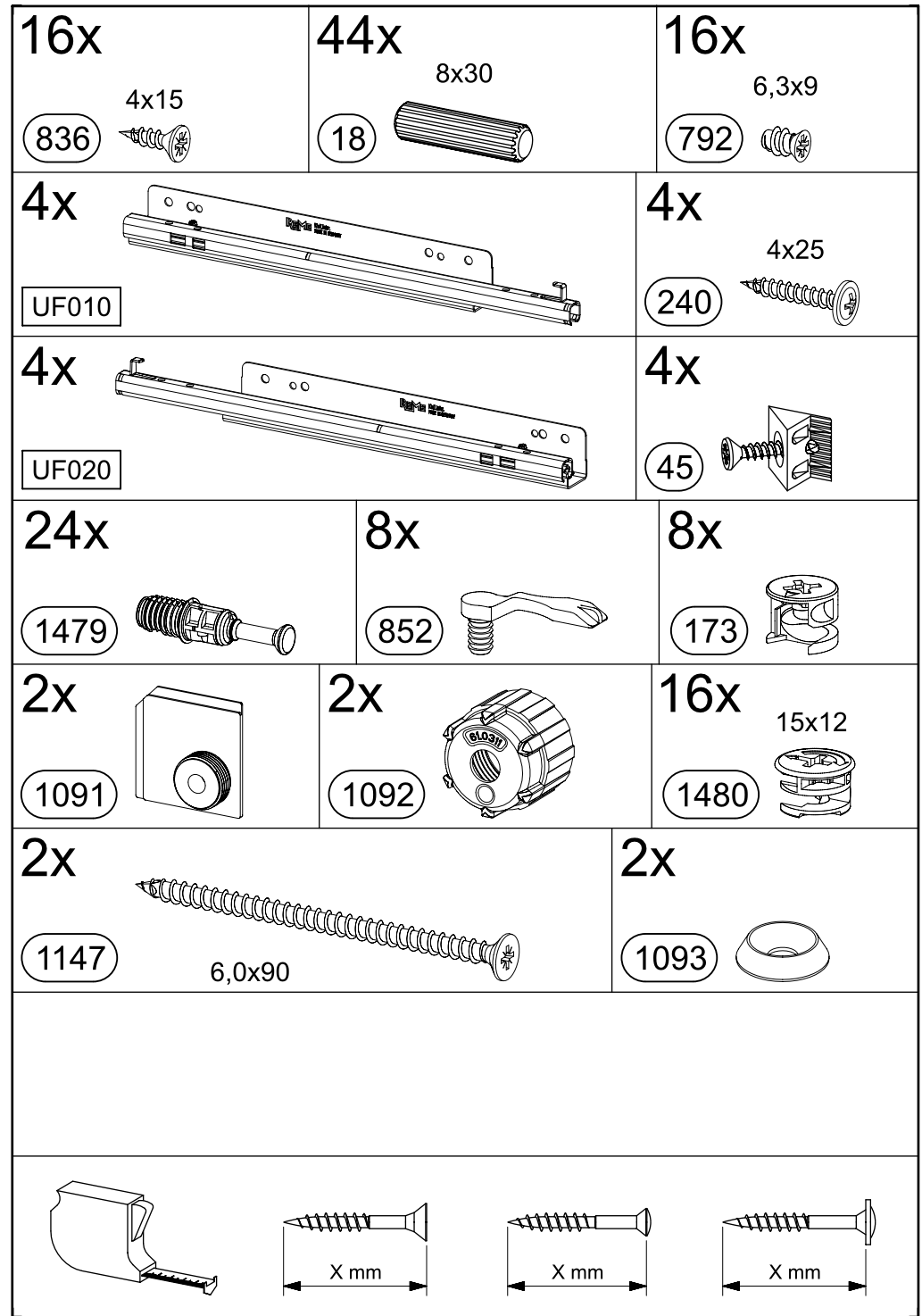
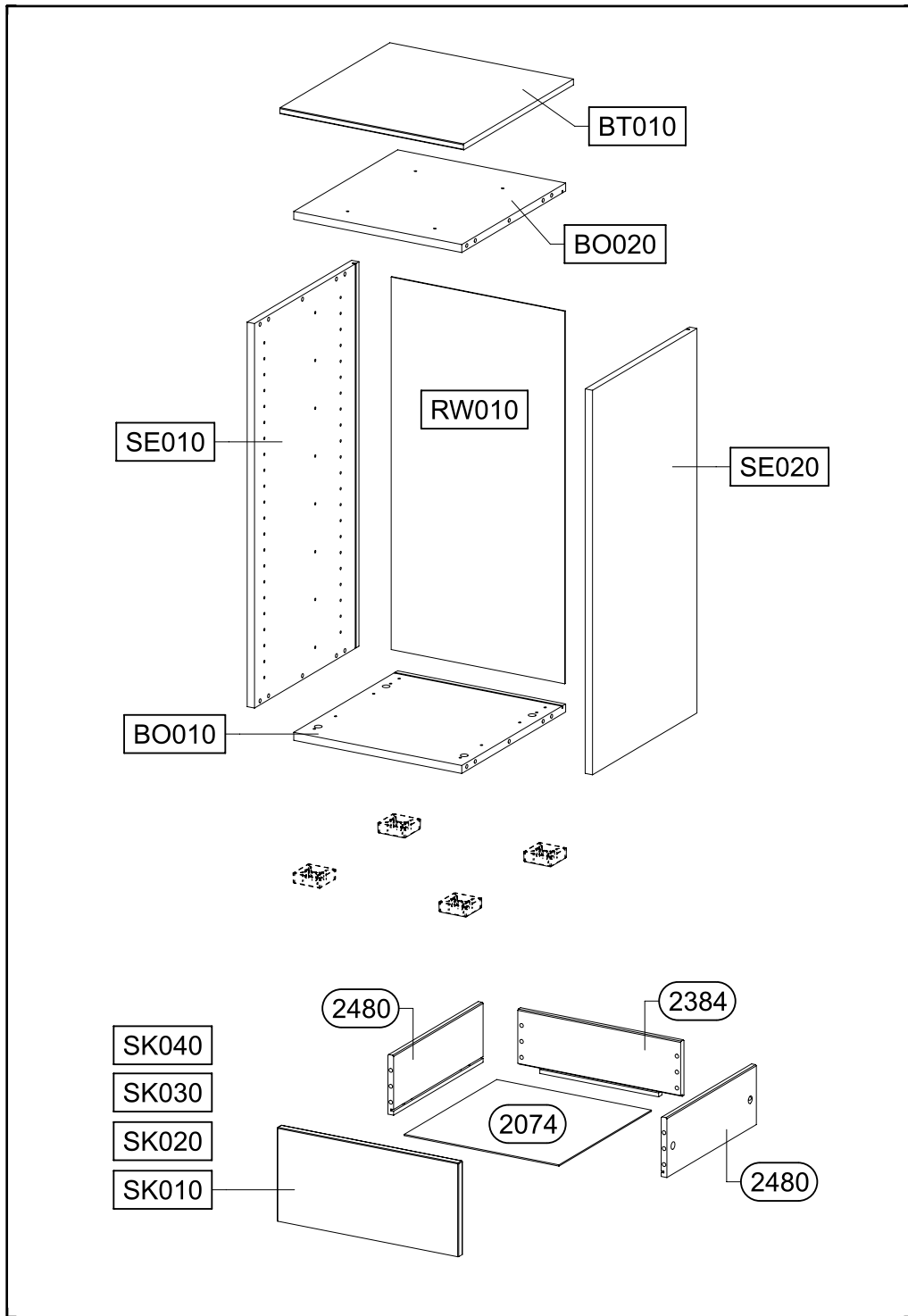
2.

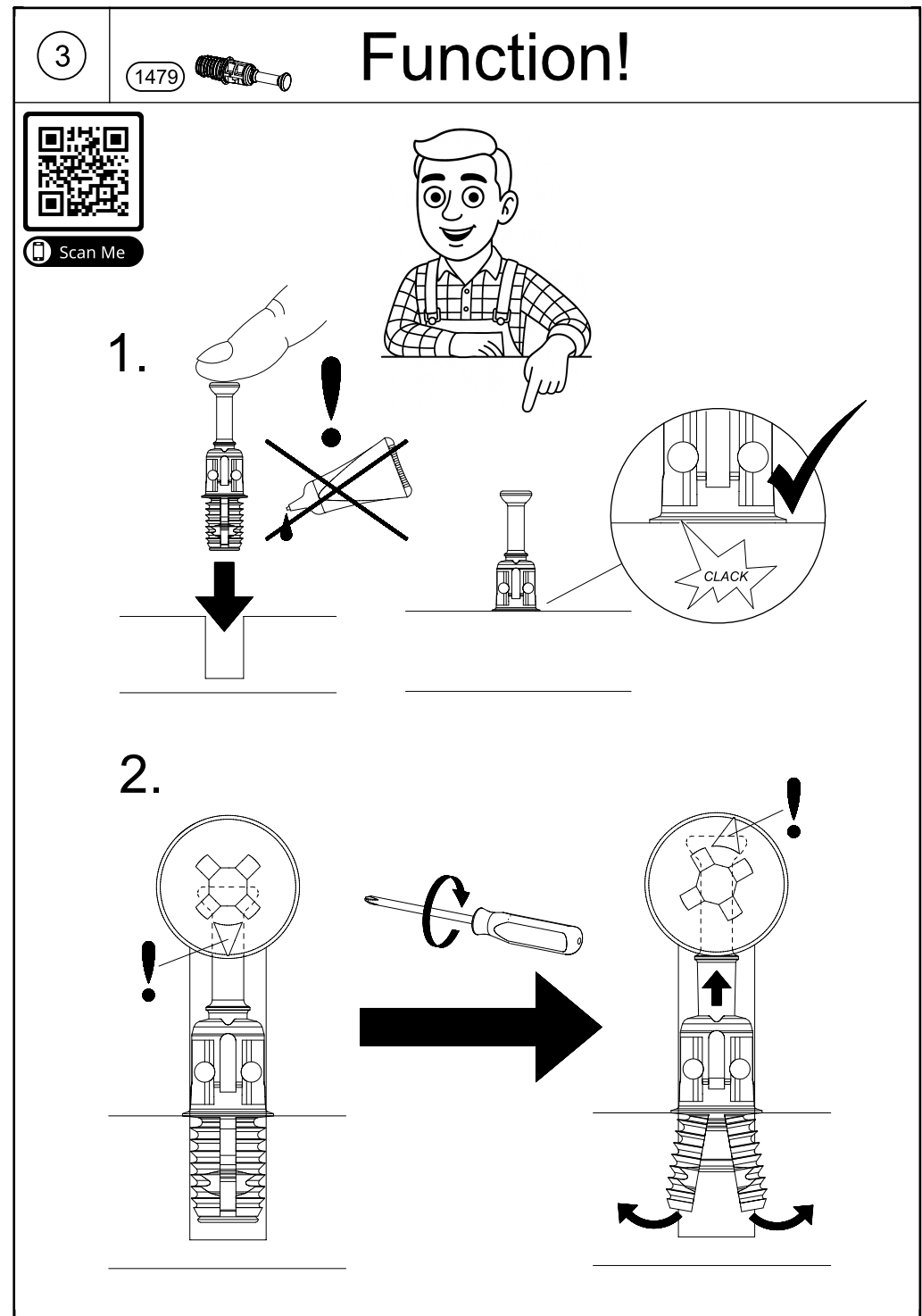
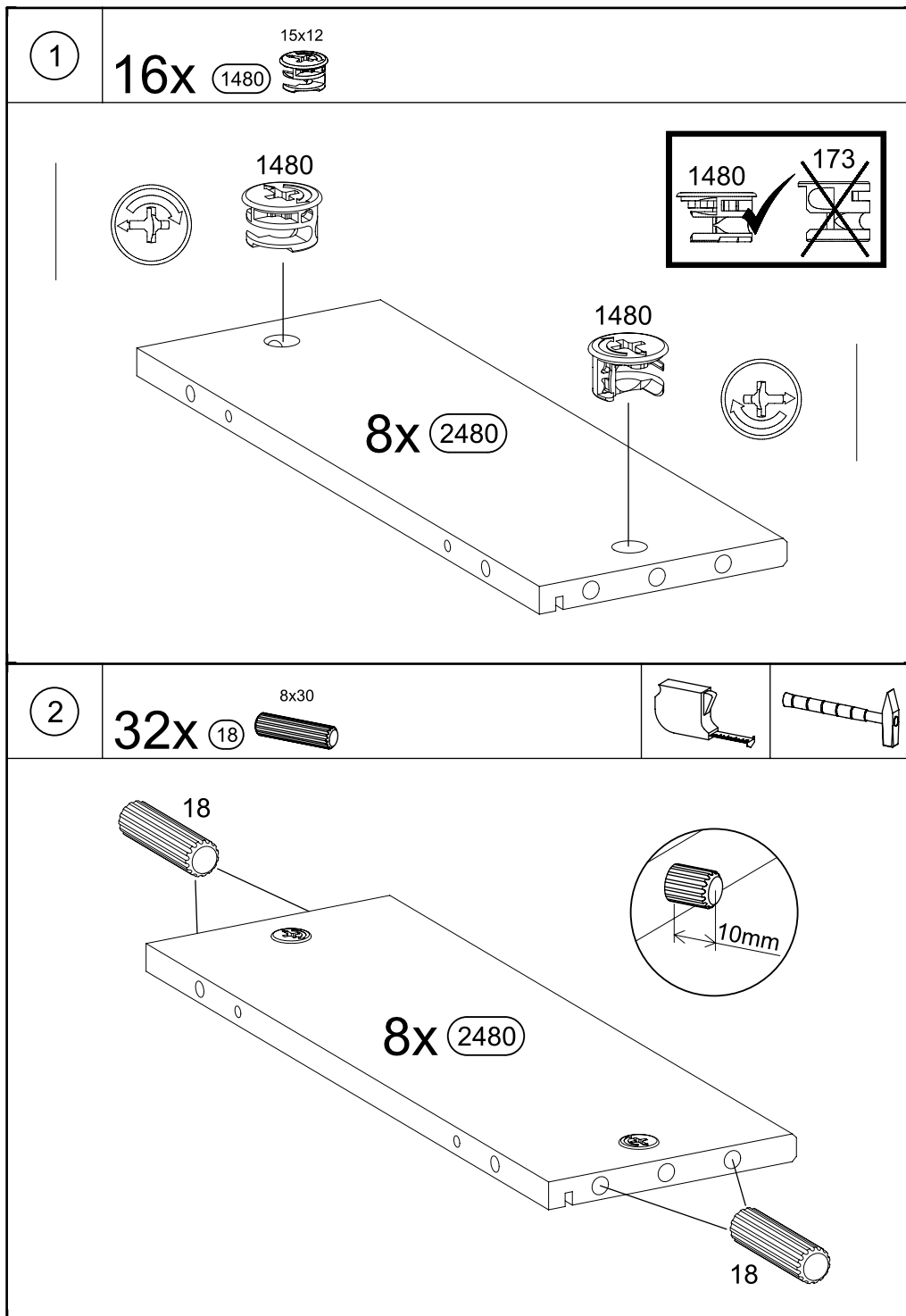


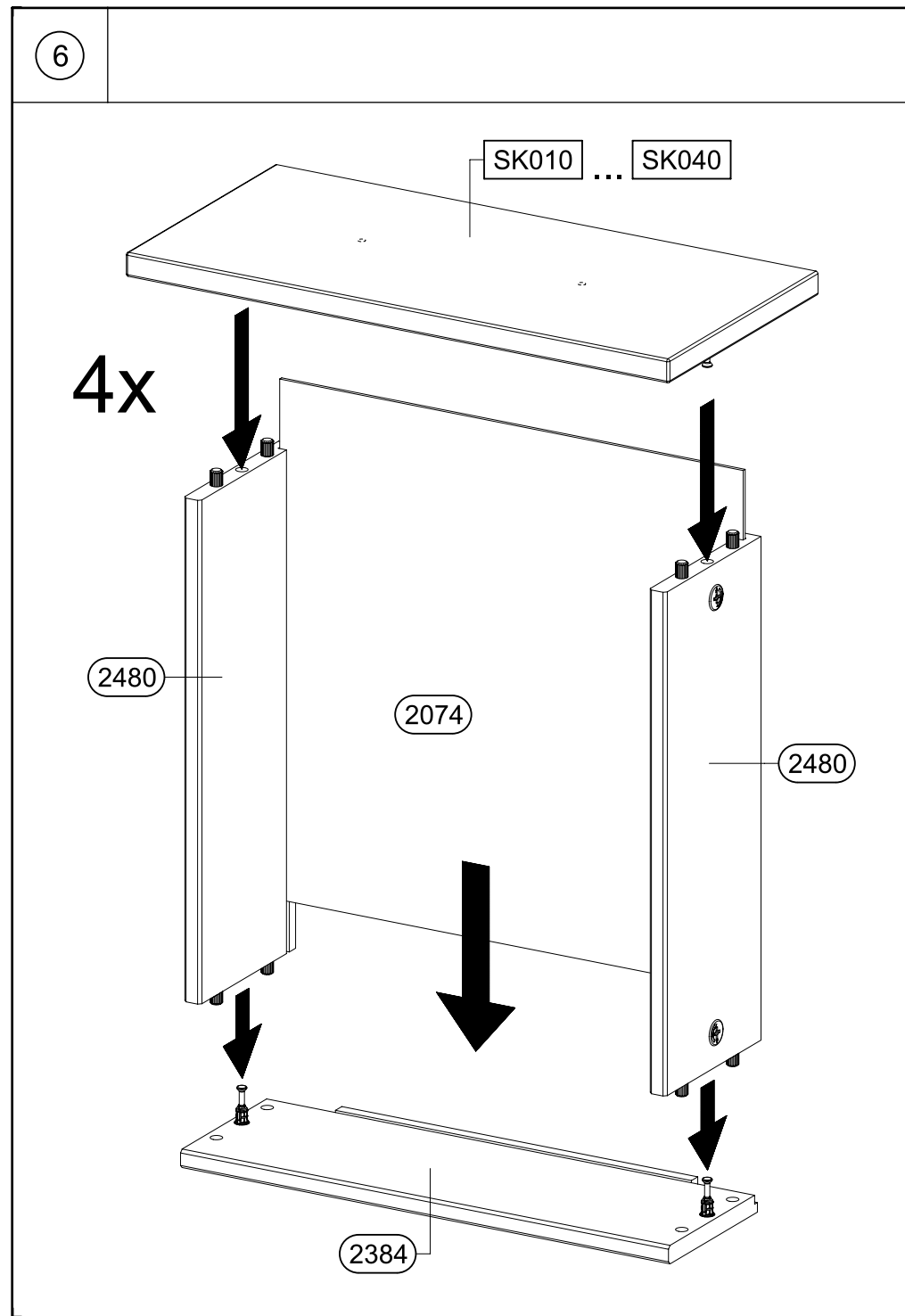
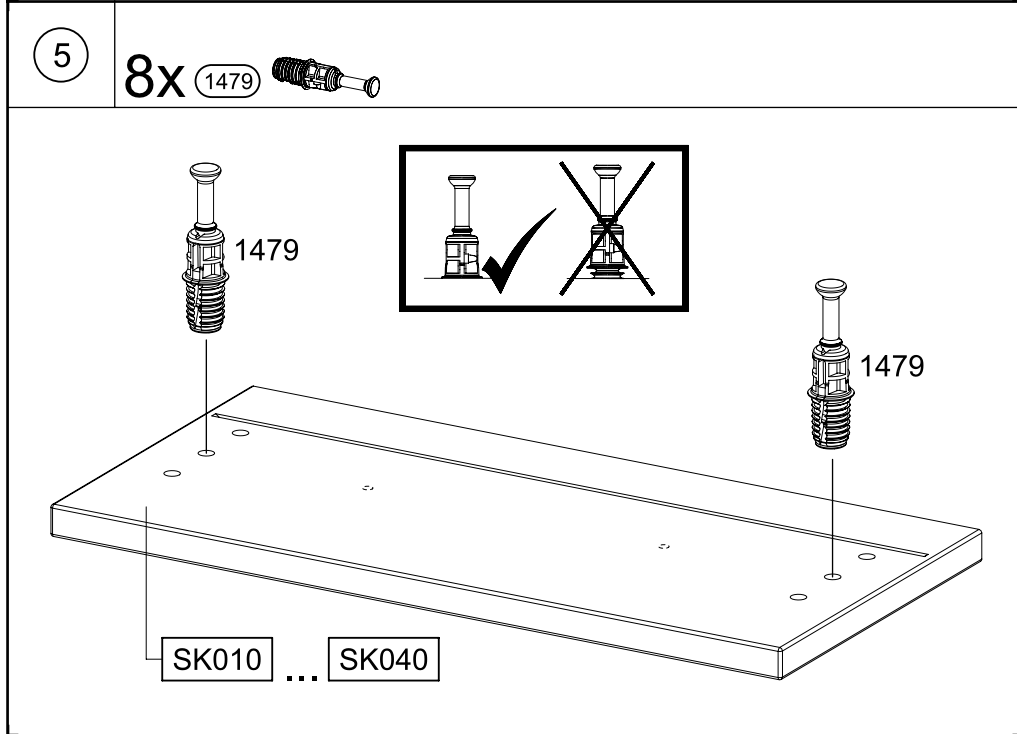
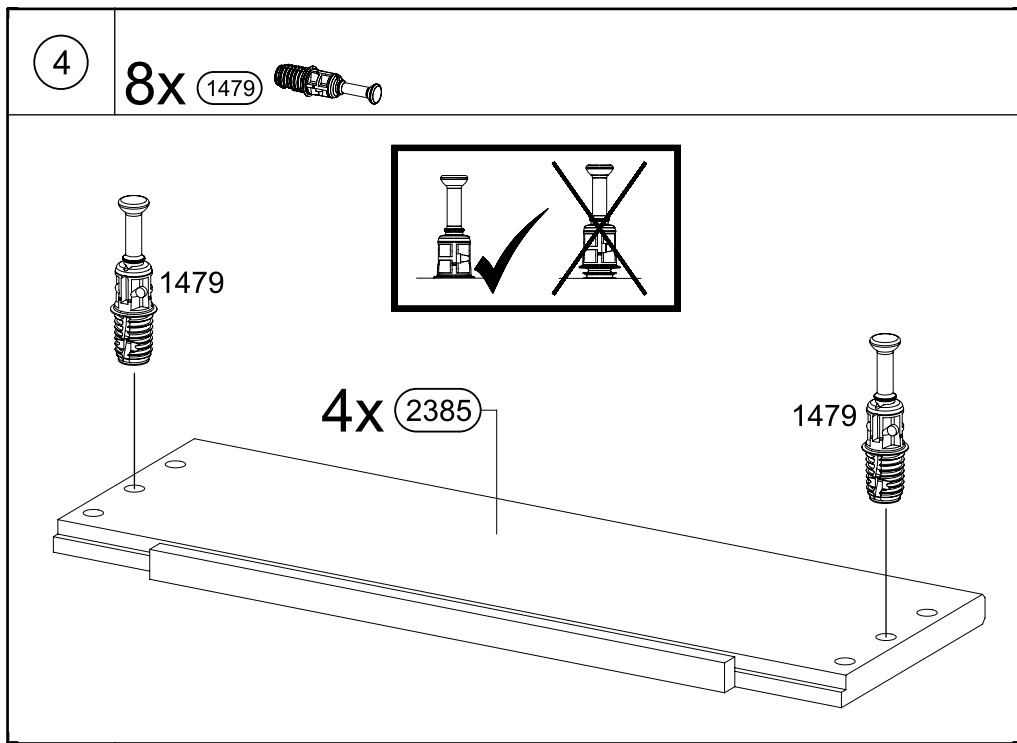
VIDEO

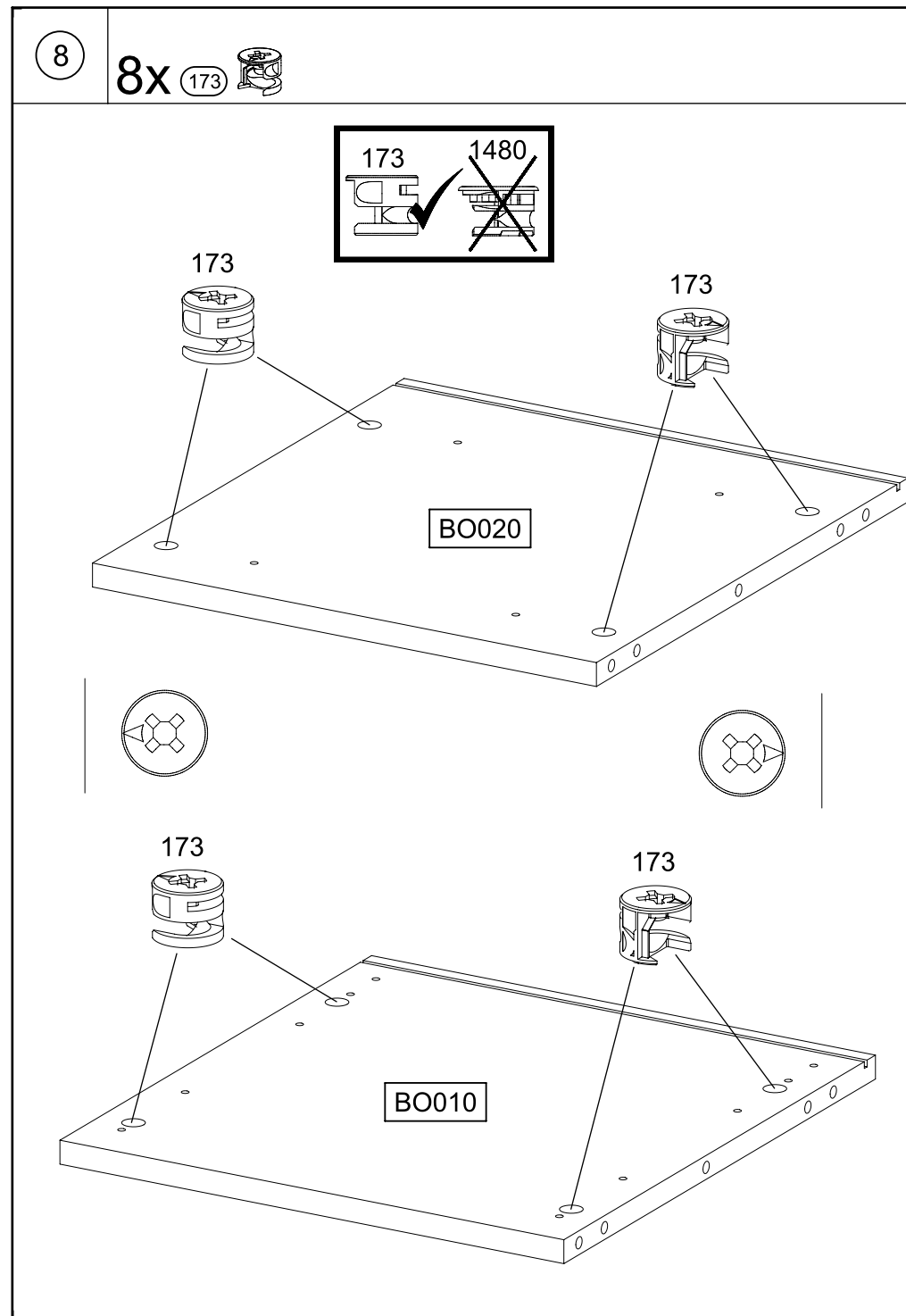
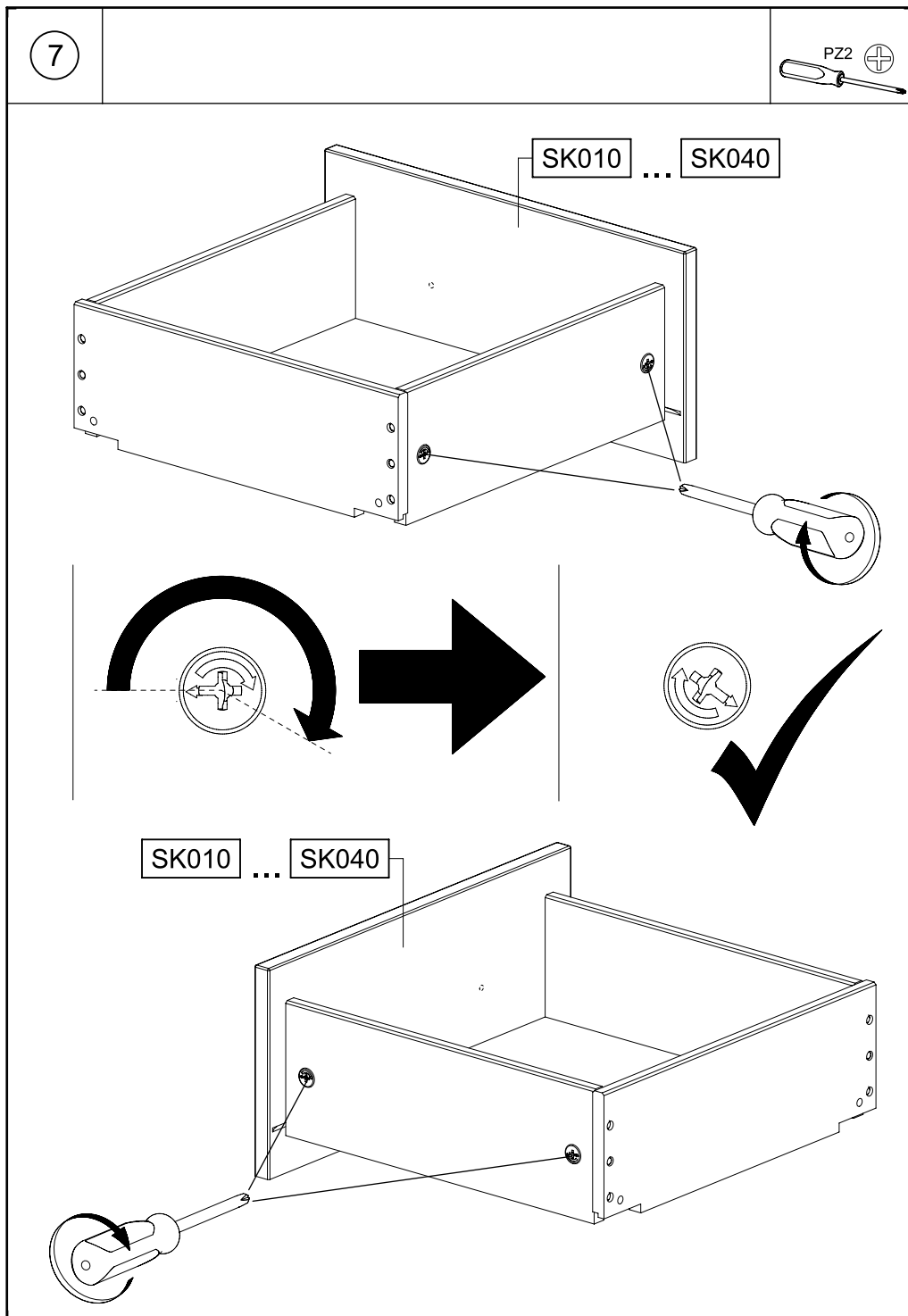


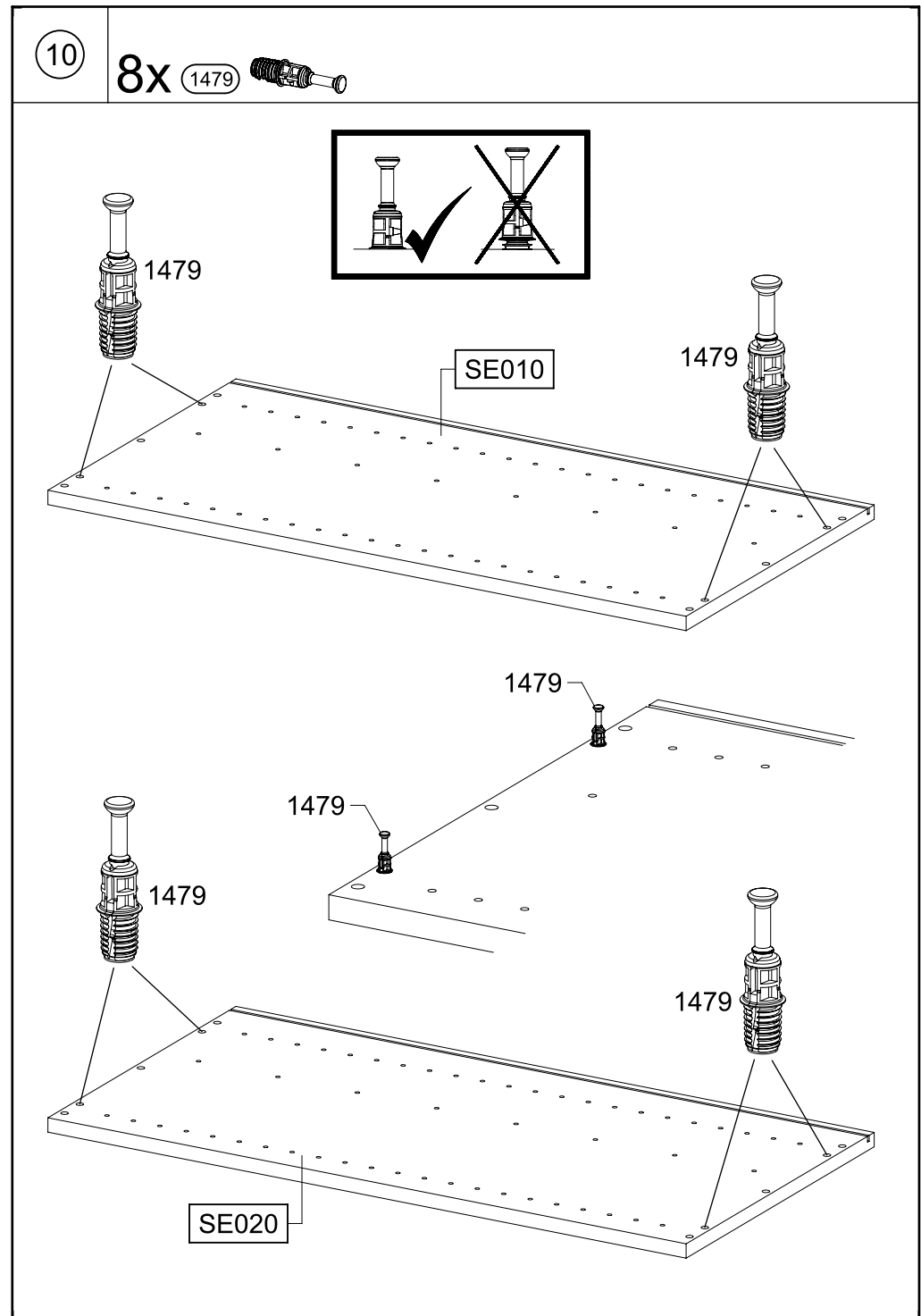
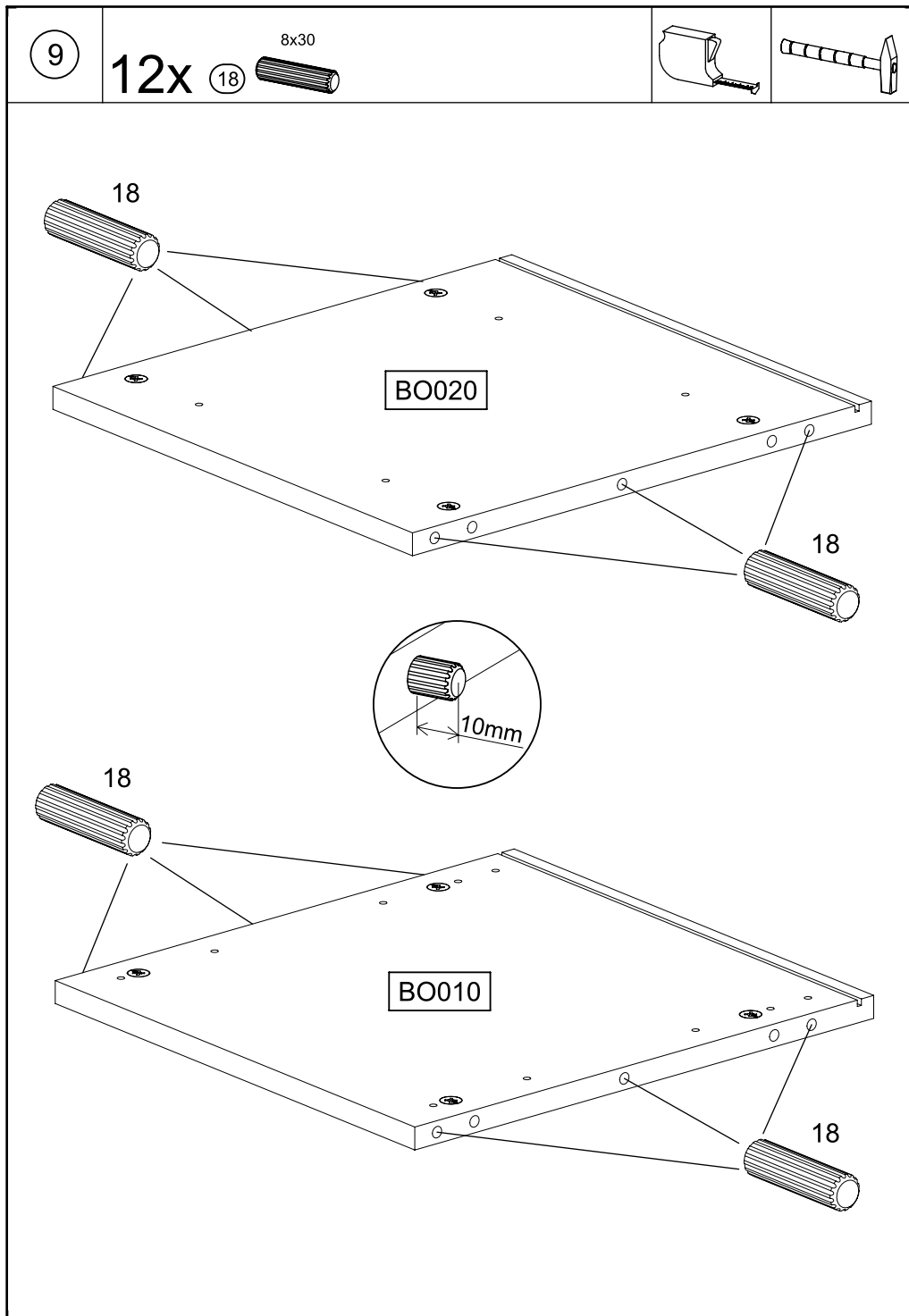
SCAN ME



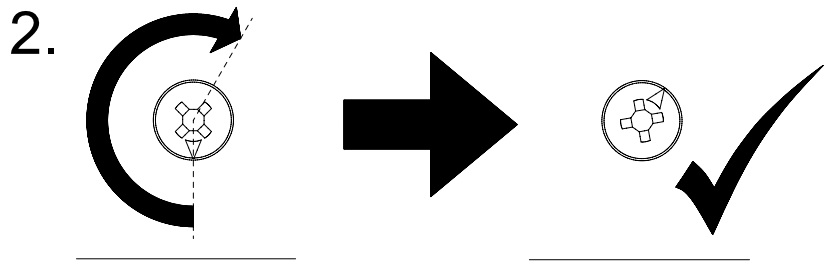
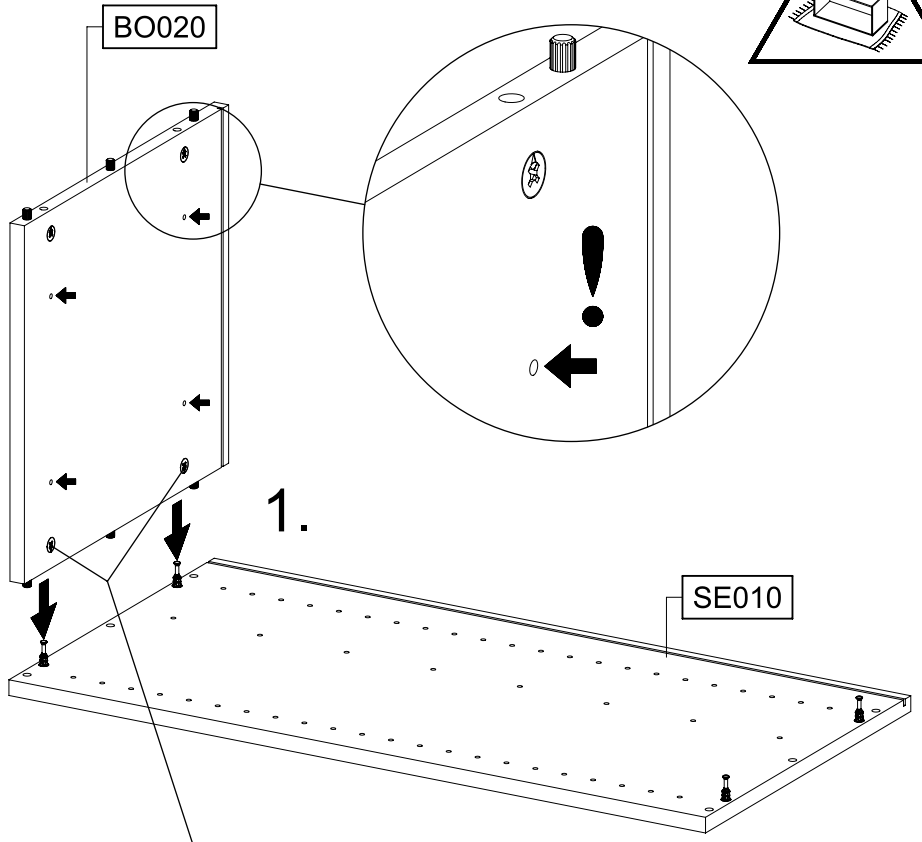
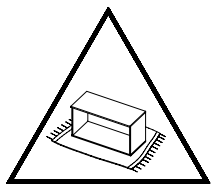
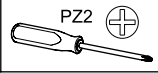




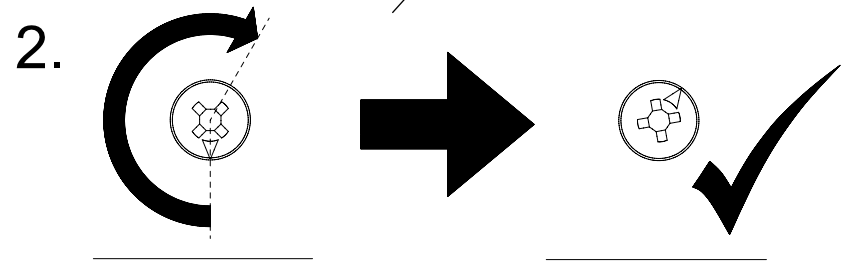
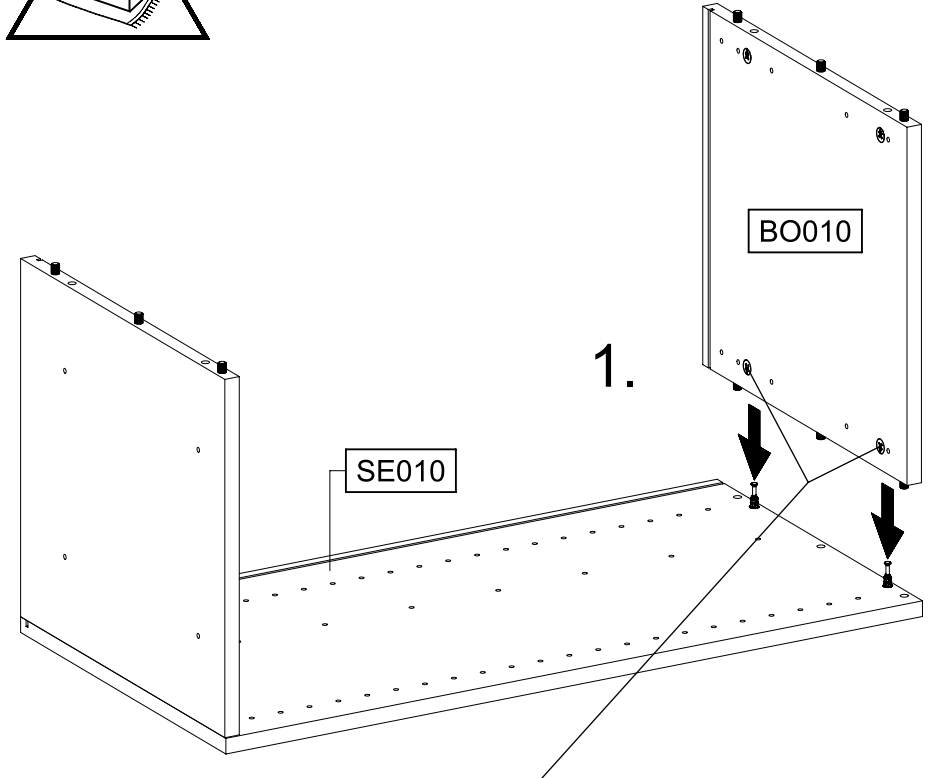
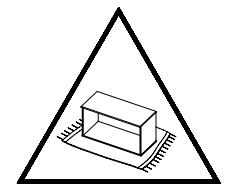
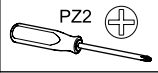




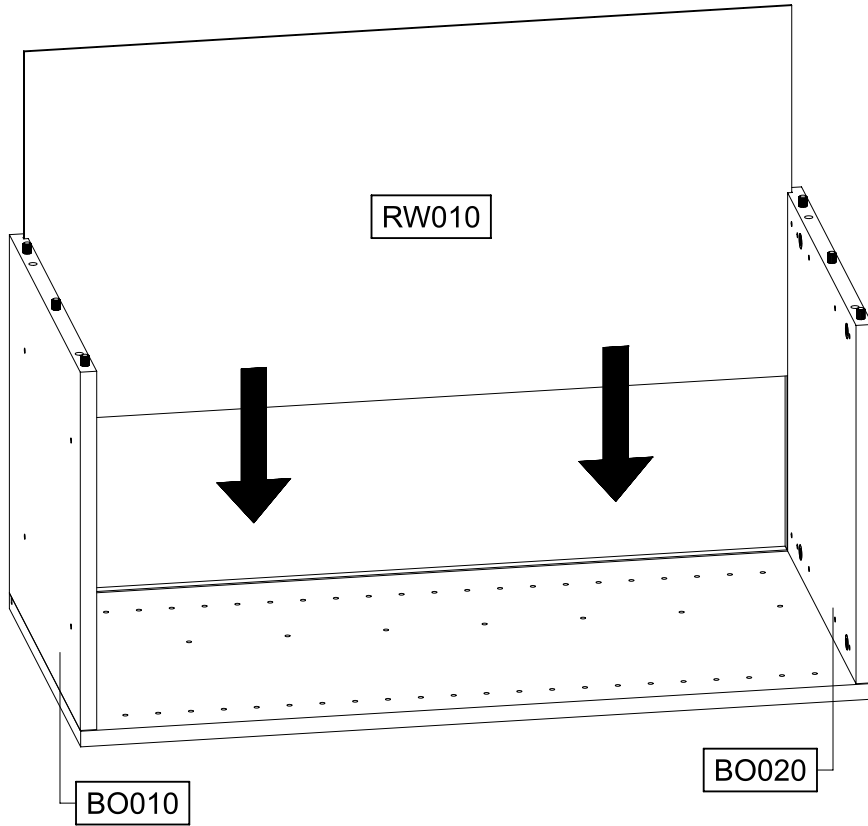
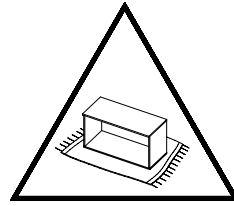
11



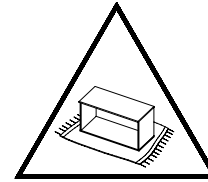
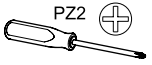
12



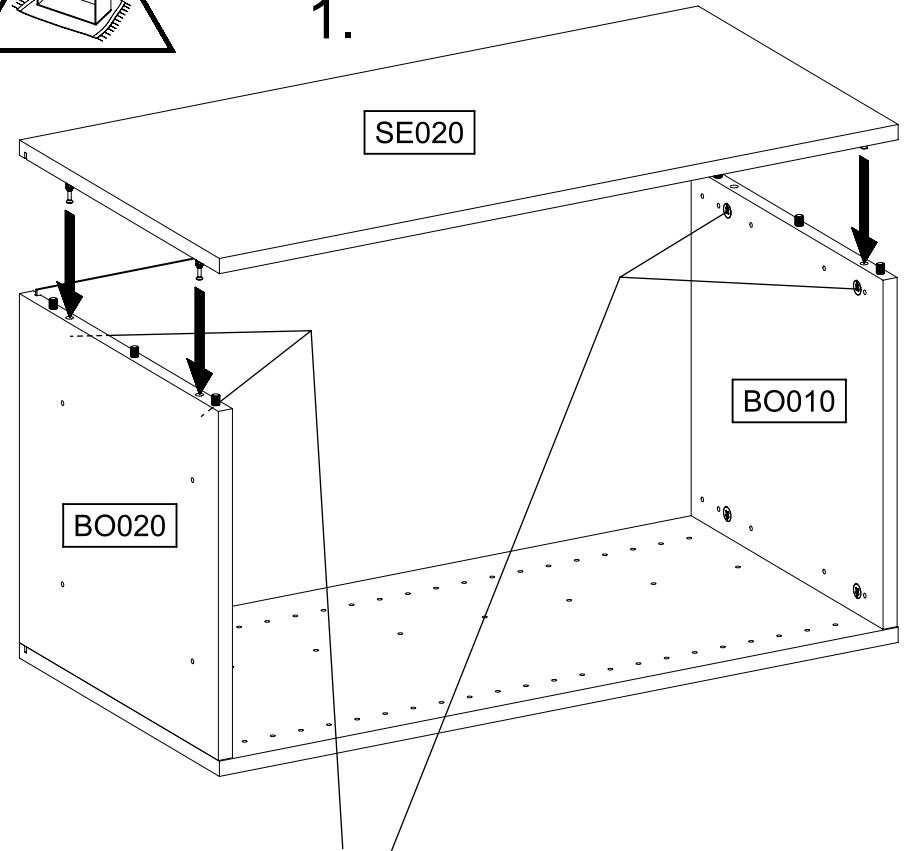
13



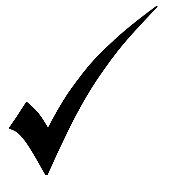
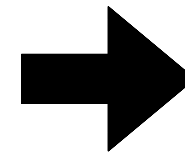
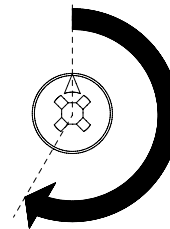
14



1.



2.

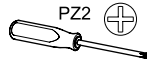
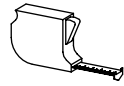


15

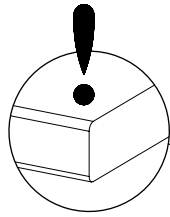
4x

240

4x25



PZ2



BT010

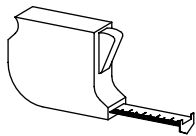
BT010

SE020

SE020

240

SE010



Xmm=Xmm

BT010

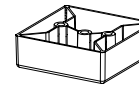
Xmm

Xmm

SE010

SE020

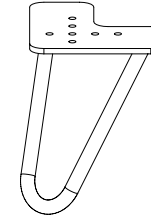
16



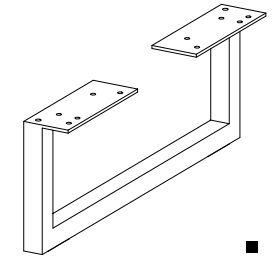
1207



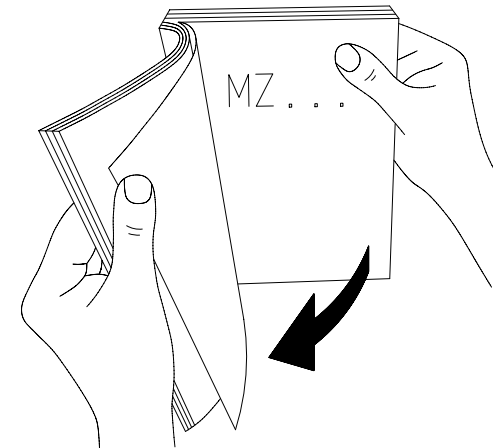
1481



1345



1348

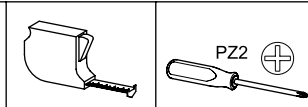
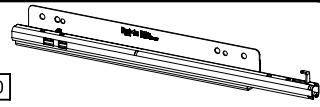


17

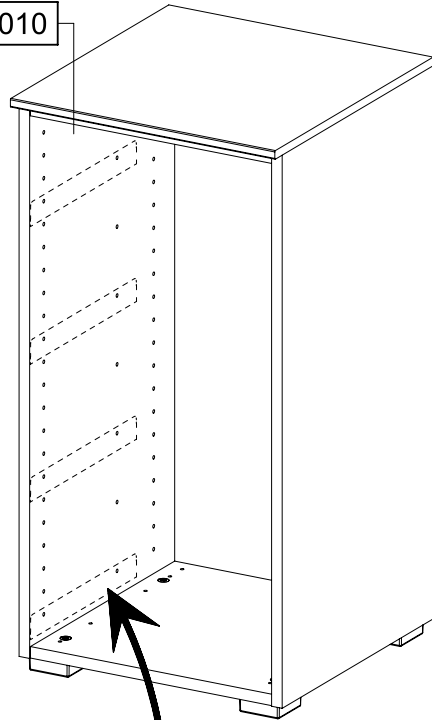
8x 792 6,3x9

8x 836 4x15

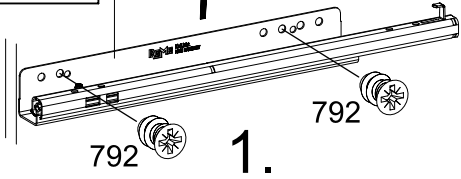
4x UF010



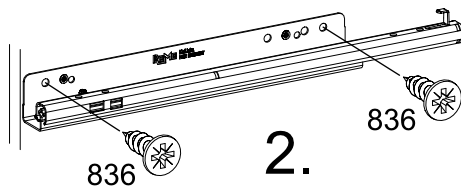
SE010



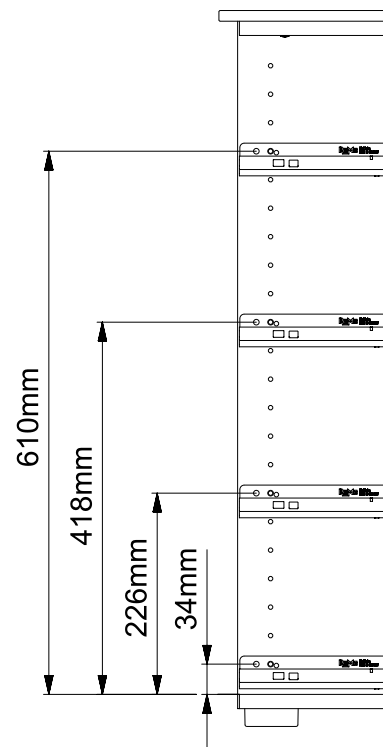
UF010



1.



2.

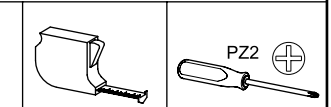
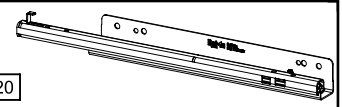


18

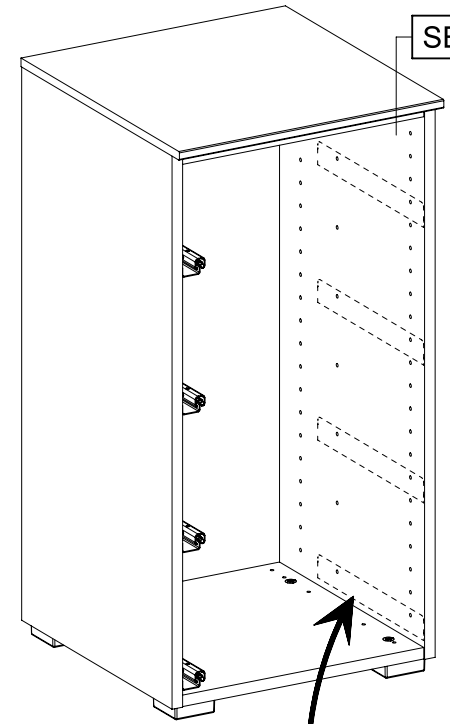
8x 792 6,3x9

8x 836 4x15

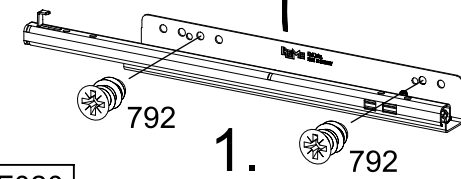
4x UF020



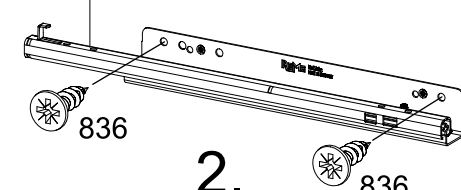
SE020



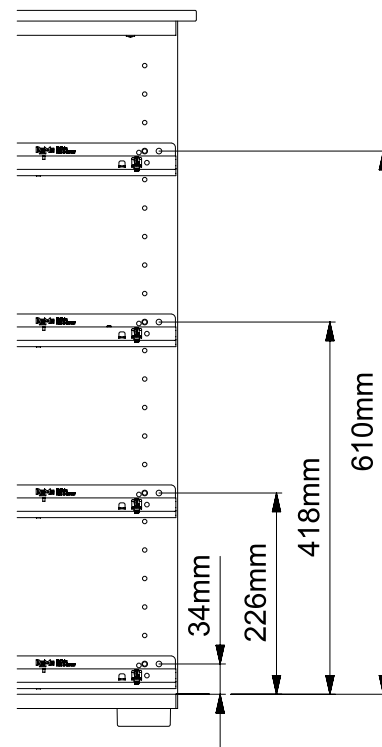
UF020



1.



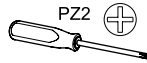
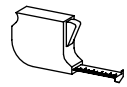
2.



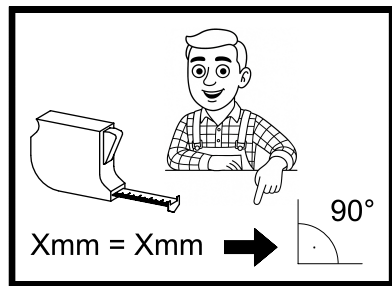
19

4x

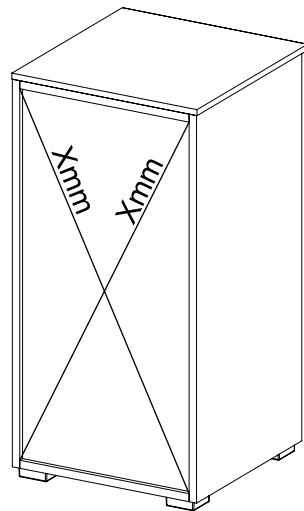
45



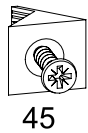
PZ2



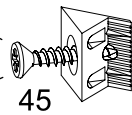
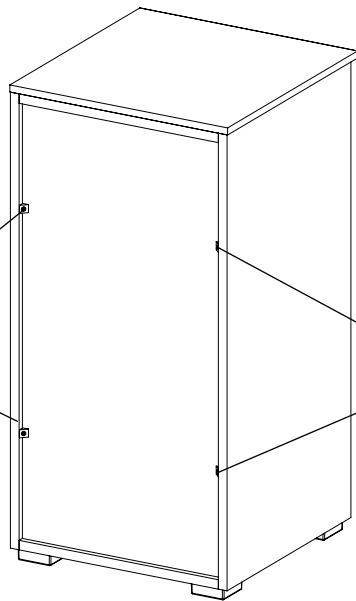
1.



2.

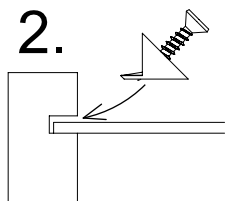


45

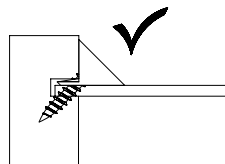
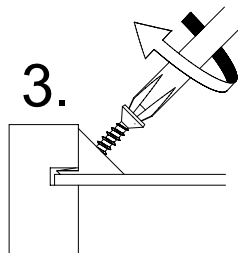


45

2.



3.



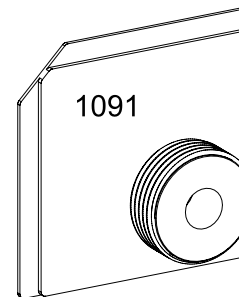
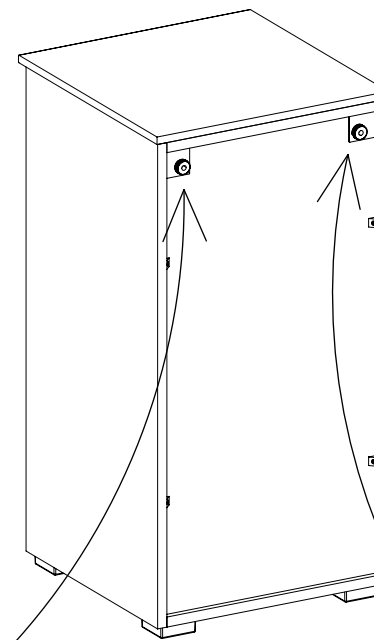
20

2x

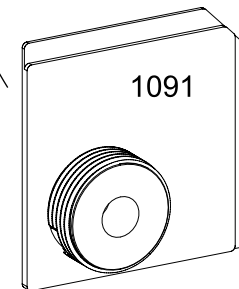
1091



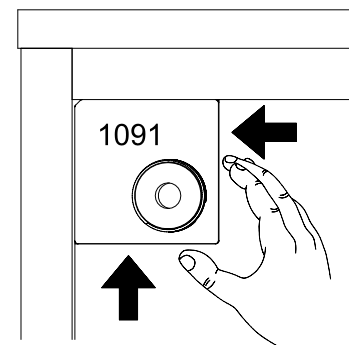
SCAN ME



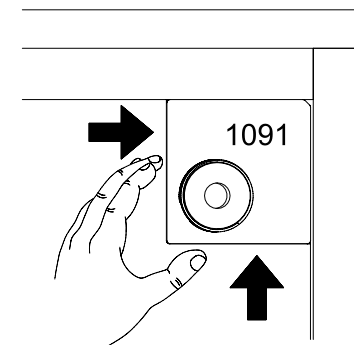
1091



1091

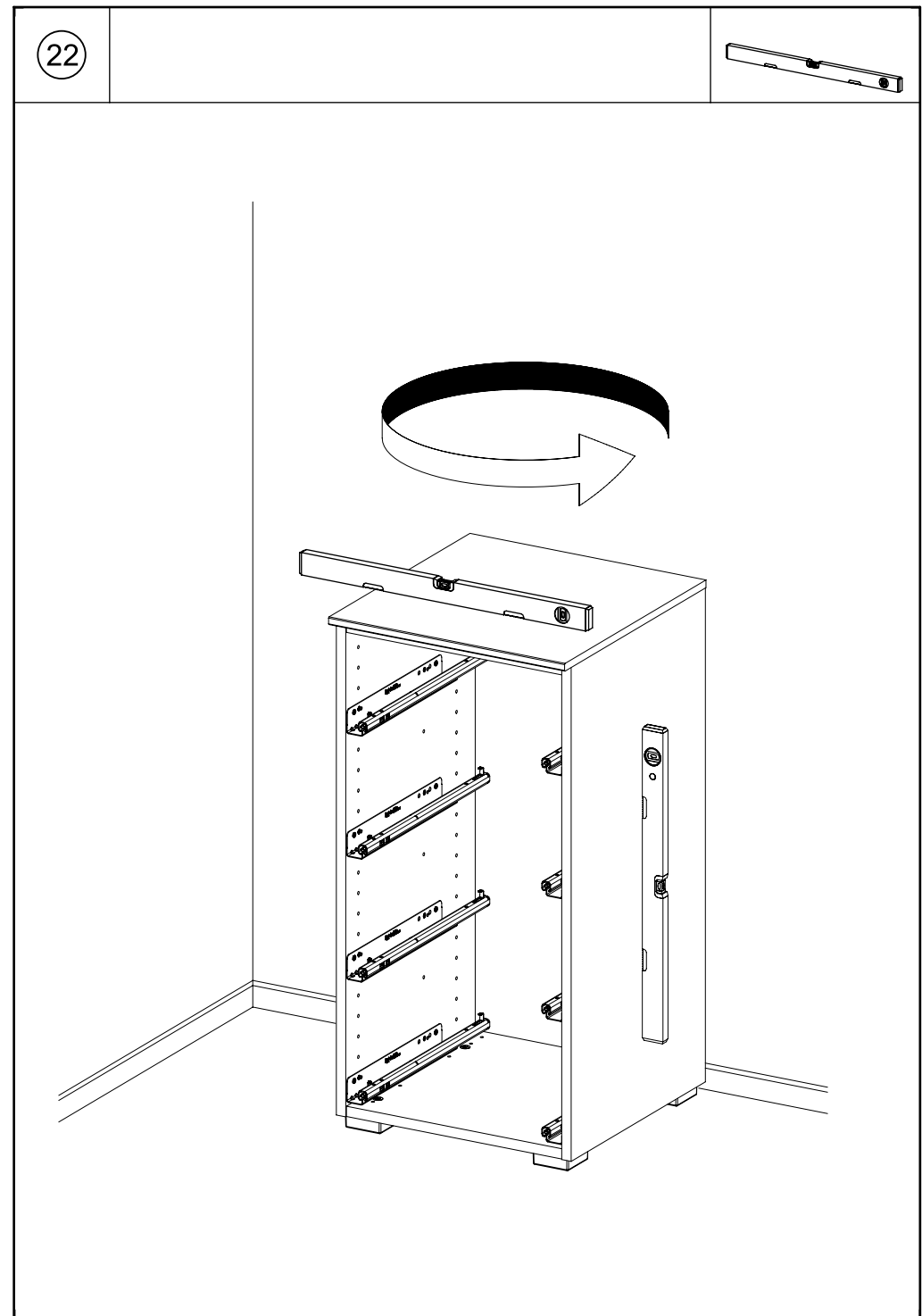
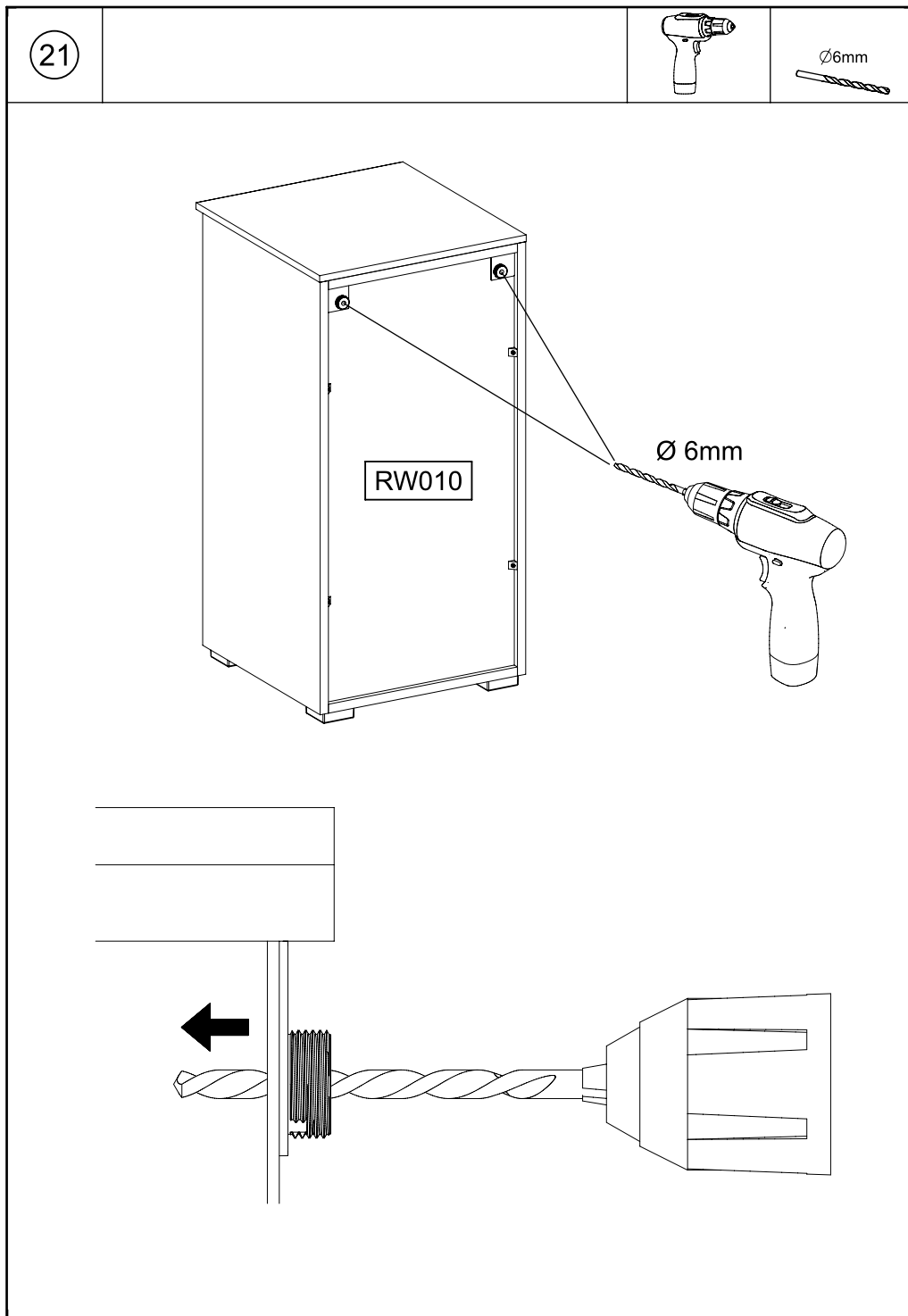


1091



1091





23

2x

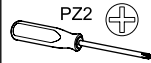
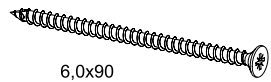
1093



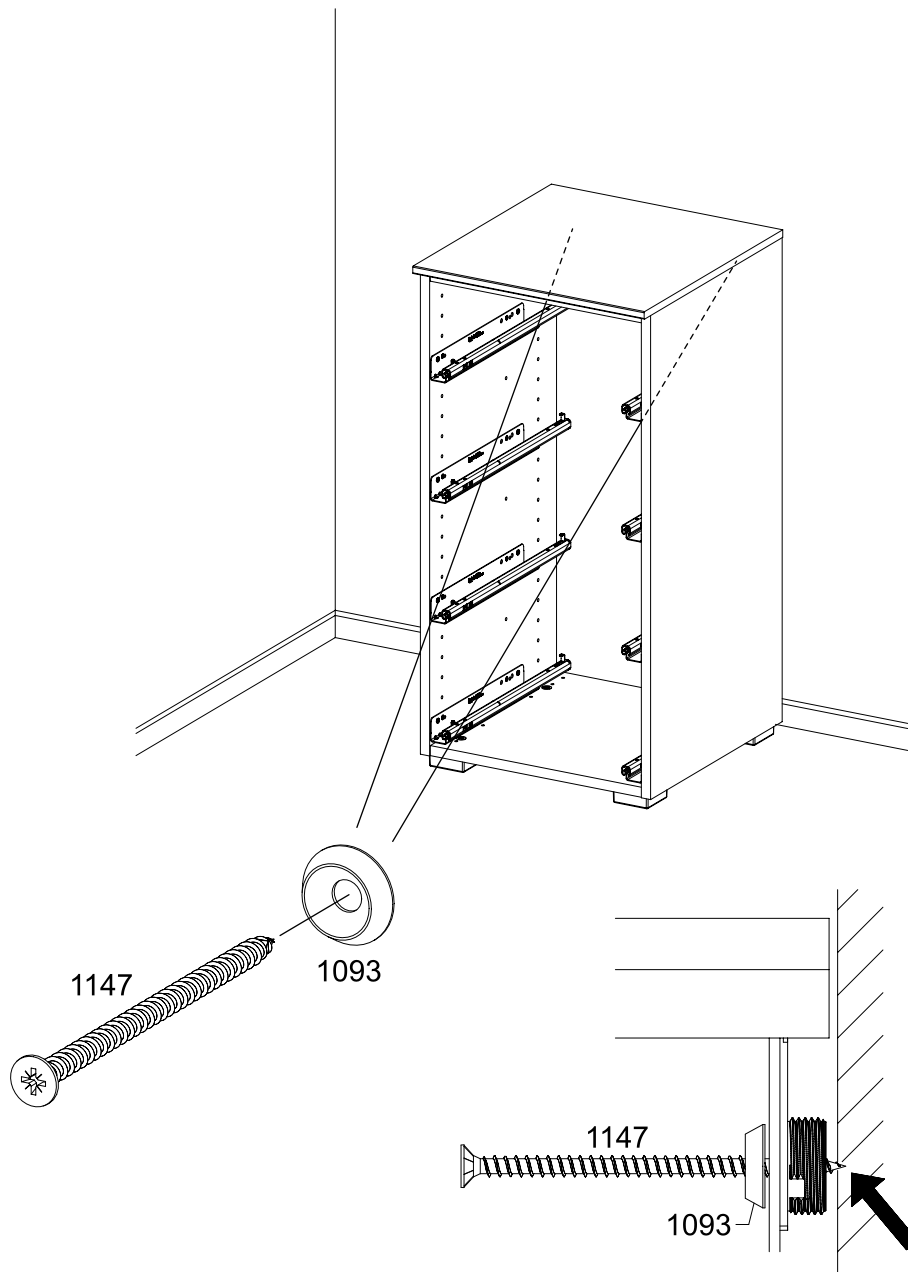
2x

1147

6,0x90



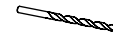
PZ2



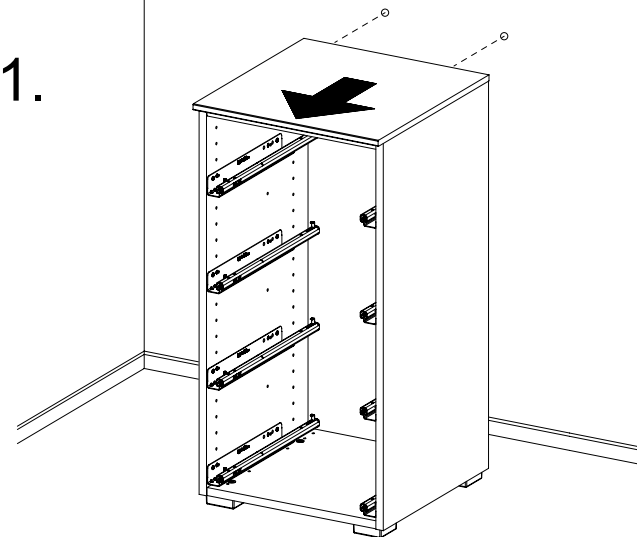
24



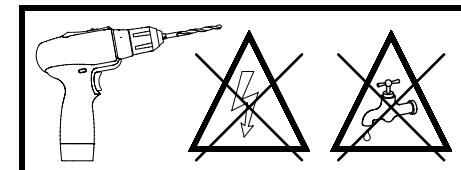
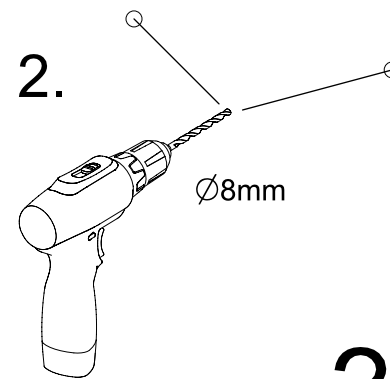
Ø8mm



1.

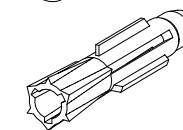
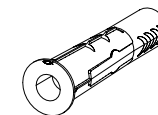


2.



?

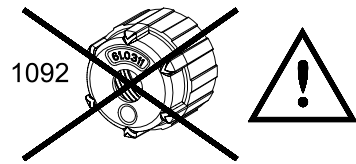
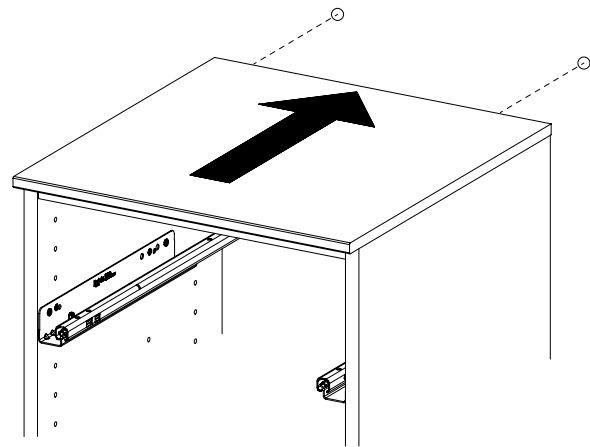
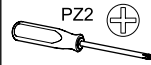
3.



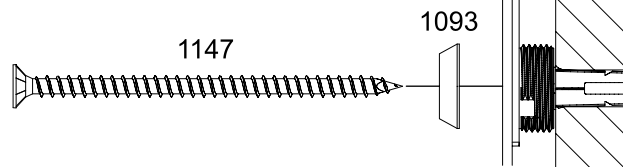
Ø8mm

25

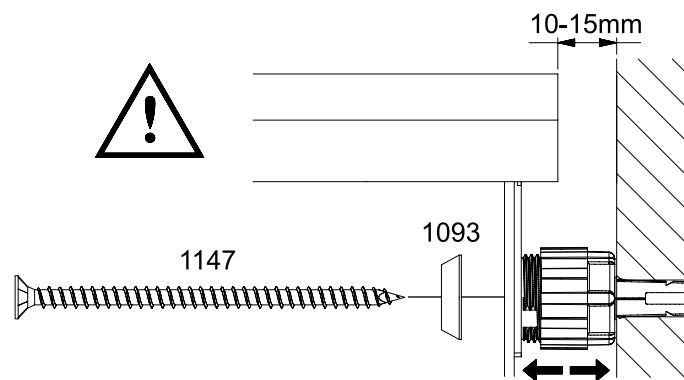
2x 1092



2.

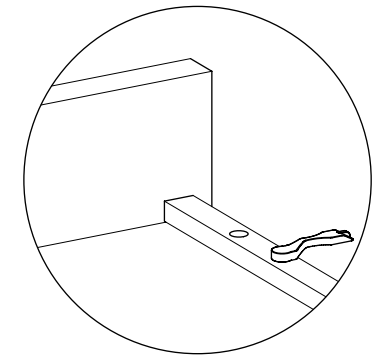
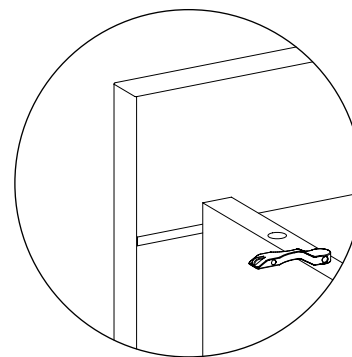
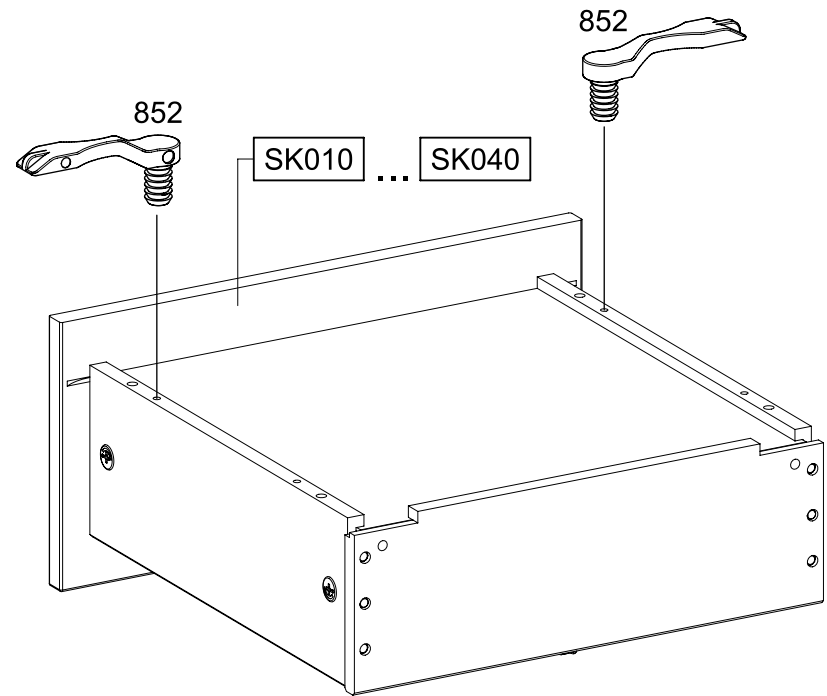
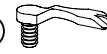


2.

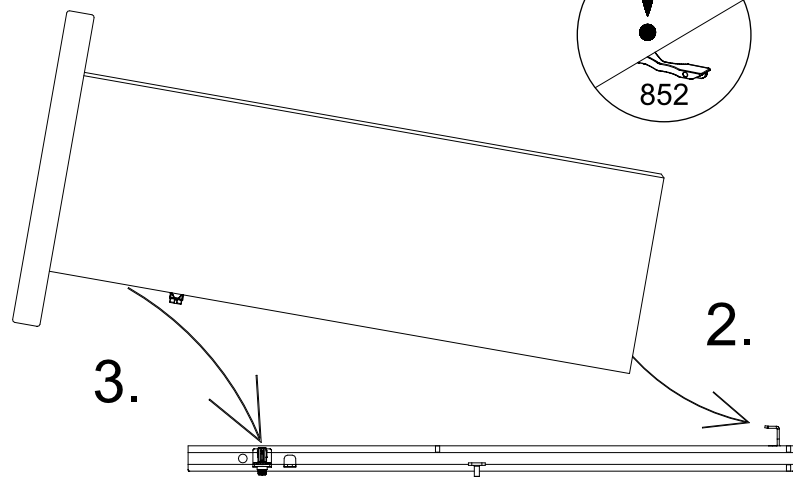
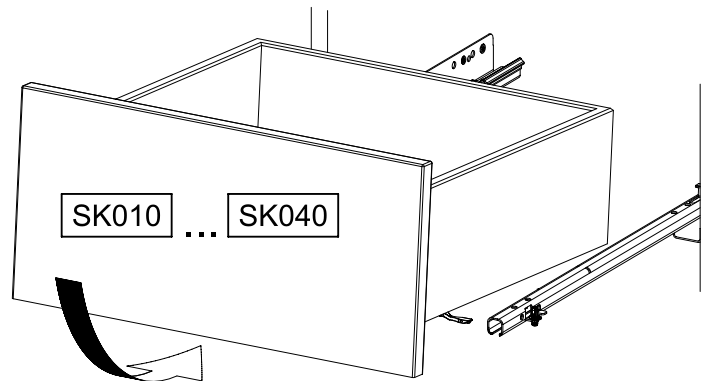
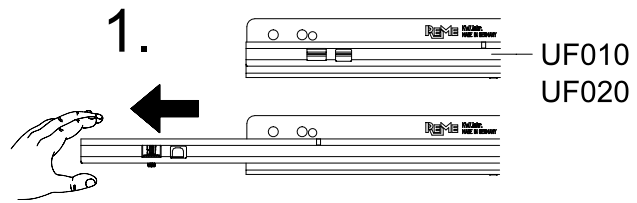


26

8x 852



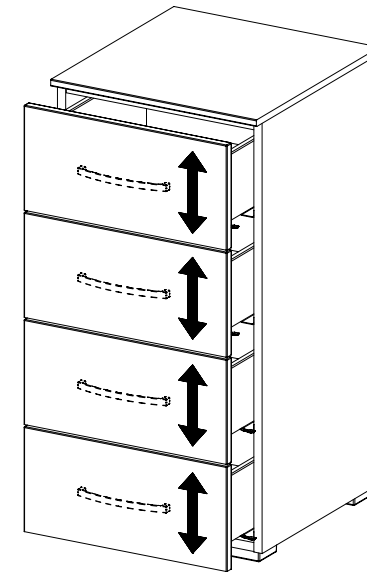
27



28



SCAN ME



SK010  
SK020  
SK030  
SK040

