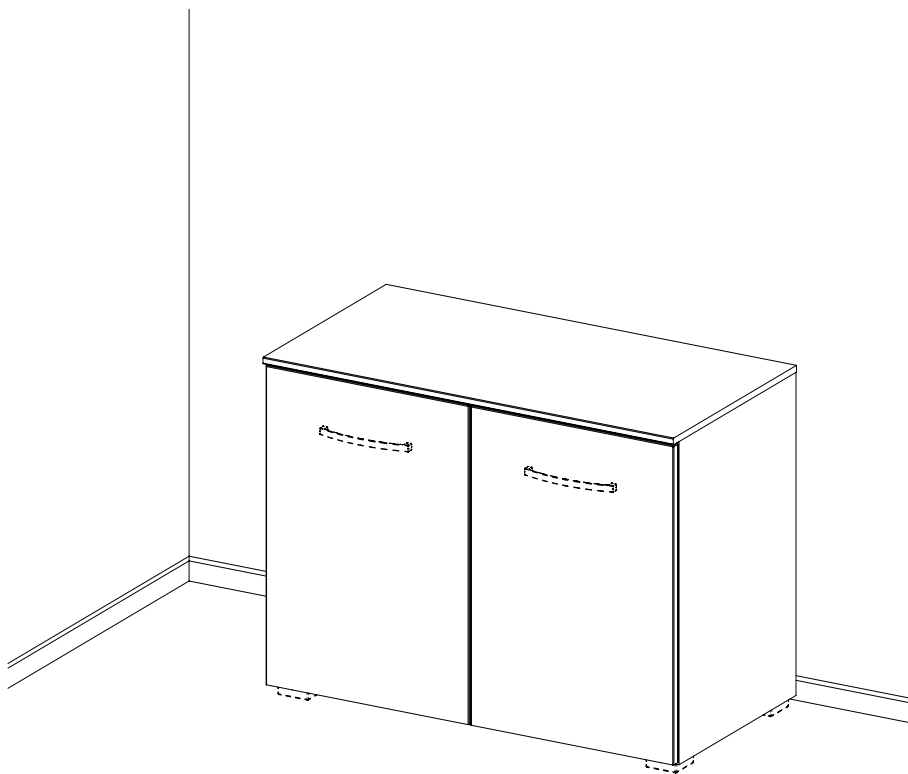
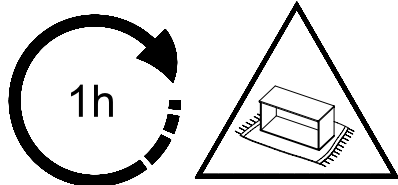
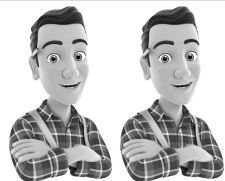
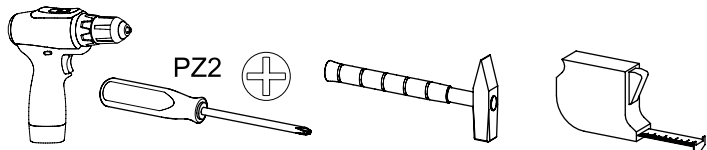


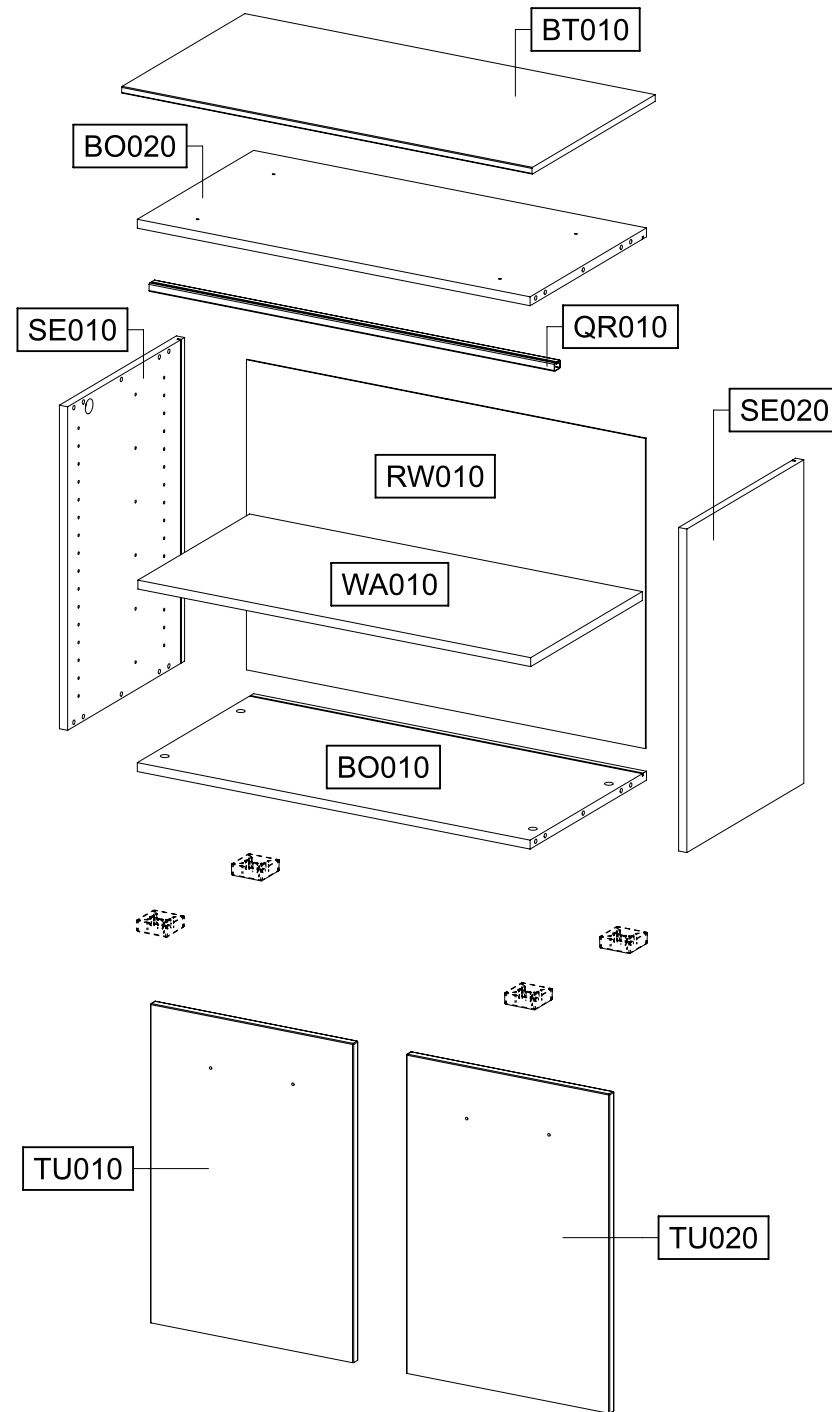
1.

M3094_01



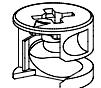

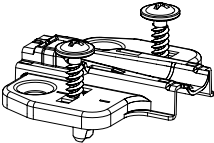
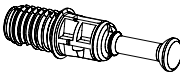
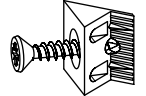

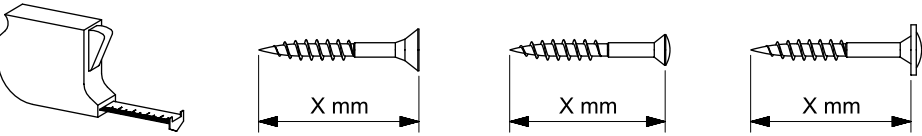

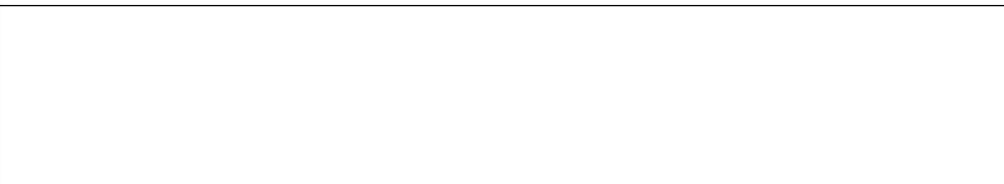

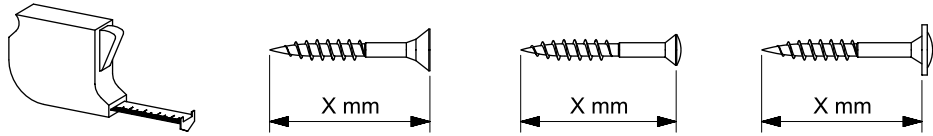



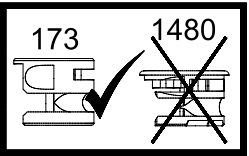
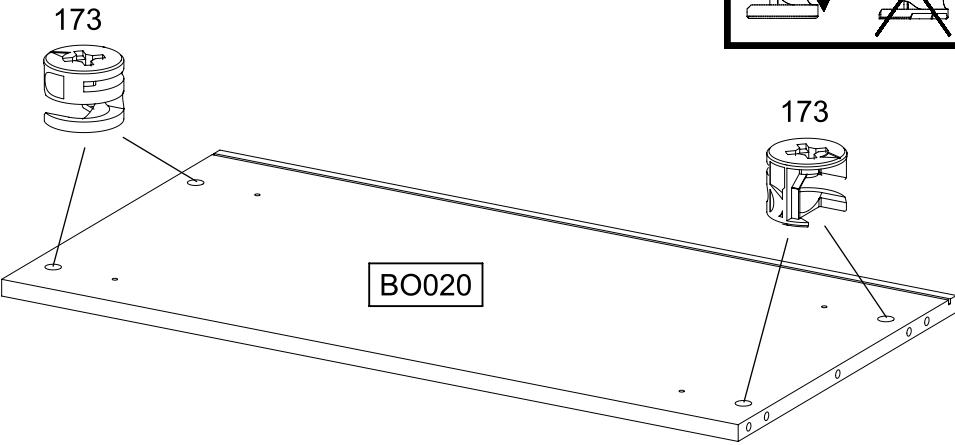

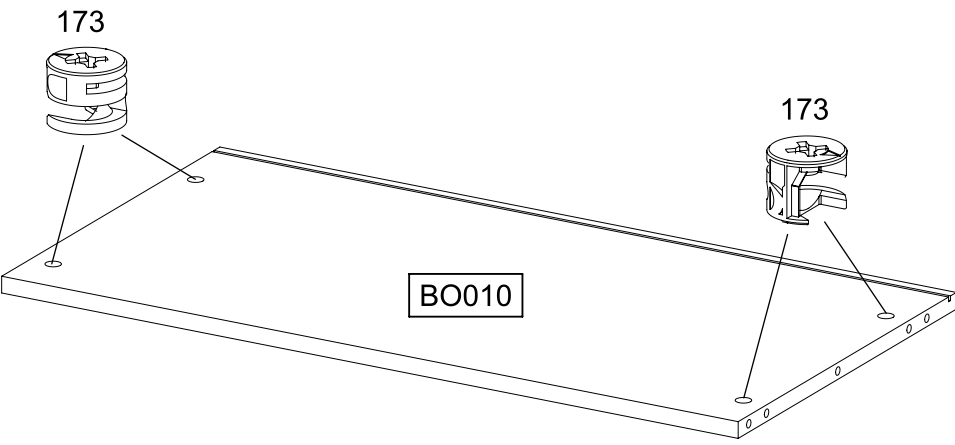
M3094

2.



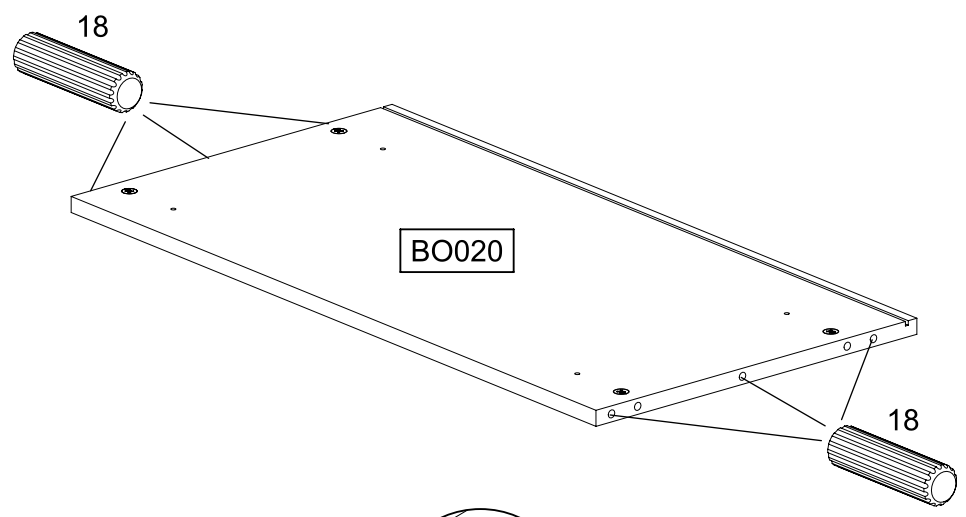
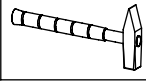
M3094

<p>12x</p> <p>8x30</p> <p>18</p> 	<p>4x</p> <p>4x25</p> <p>240</p> 	<p>8x</p> <p>173</p> 
<p>4x</p> <p>1421</p> 	<p>4x</p> <p>1415</p> 	
<p>8x</p> <p>1479</p> 	<p>4x</p> <p>45</p> 	<p>4x</p> <p>1089</p> 
		
		
		
		
		

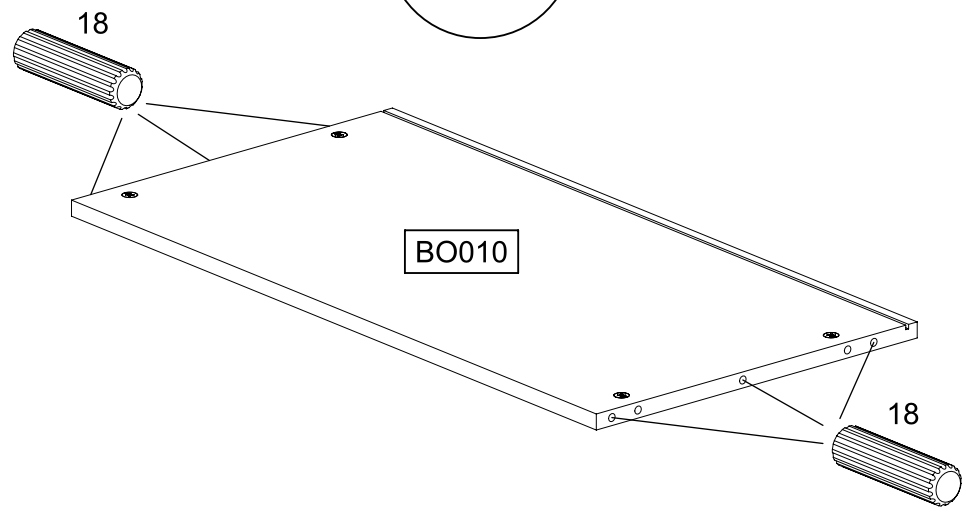
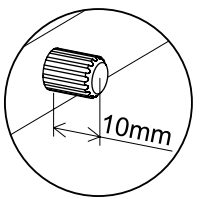
<p>1</p>	<p>8x</p> <p>173</p> 
<div data-bbox="1915 183 2161 343" style="border: 2px solid black; padding: 5px; margin-bottom: 10px;"> <p>173</p> <p>1480</p>  </div> <div data-bbox="1198 295 2150 742">  <p>BO020</p> </div> <div data-bbox="1254 813 2105 949" style="text-align: center;">  </div> <div data-bbox="1198 1045 2150 1492">  <p>BO010</p> </div>	

2

12x 18 8x30



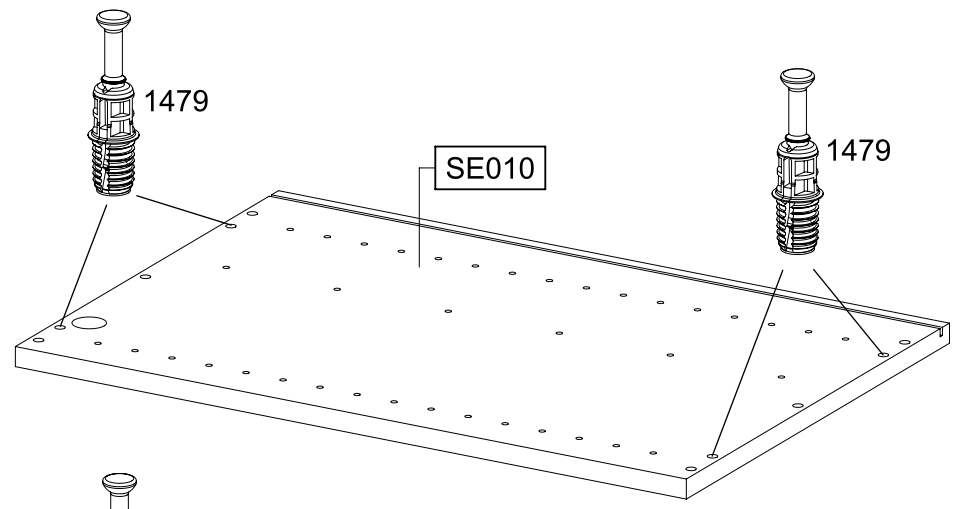
BO020



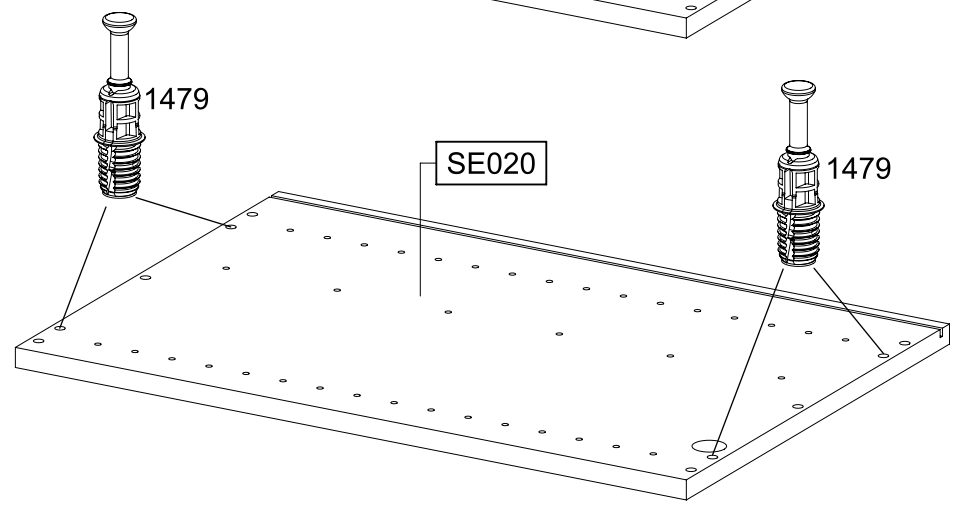
BO010

3

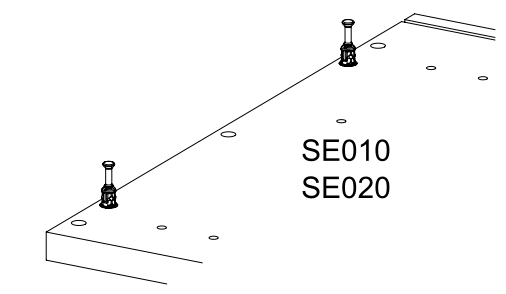
8x 1479



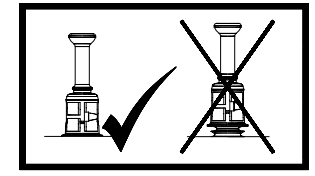
SE010



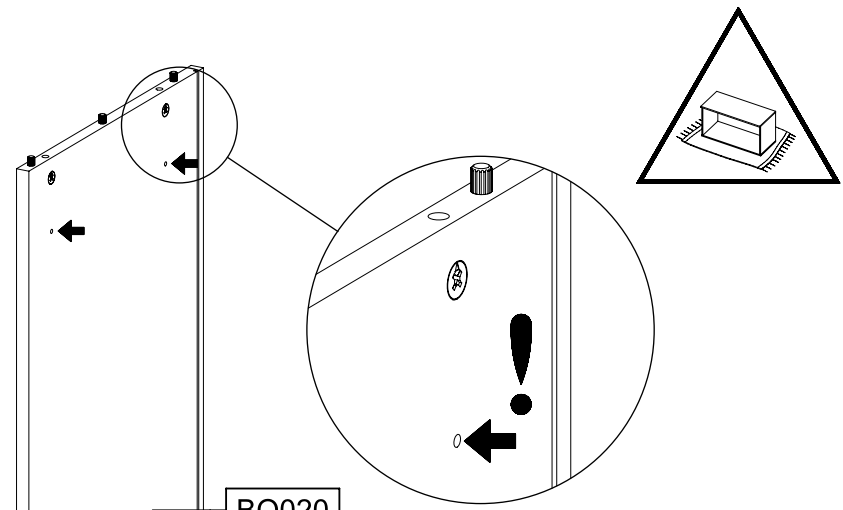
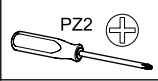
SE020



SE010
SE020



4

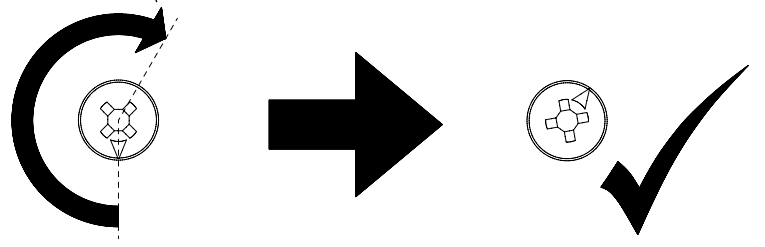


BO020

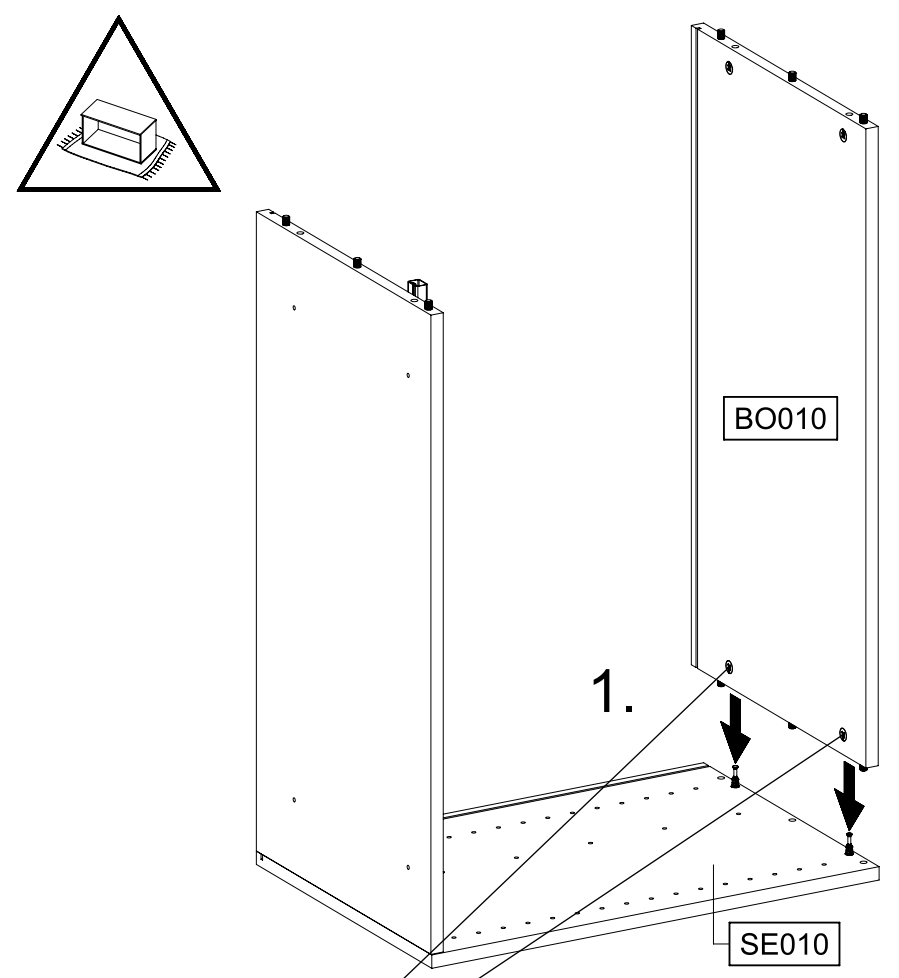
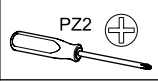
1.

SE010

2.



5

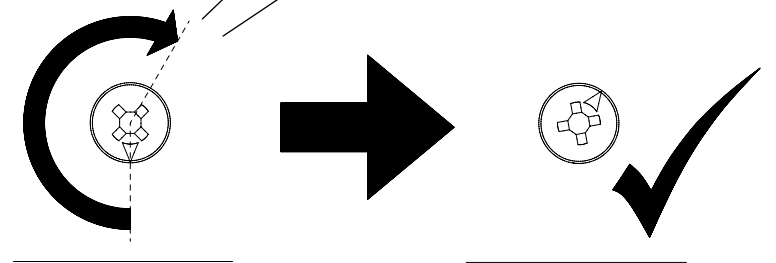


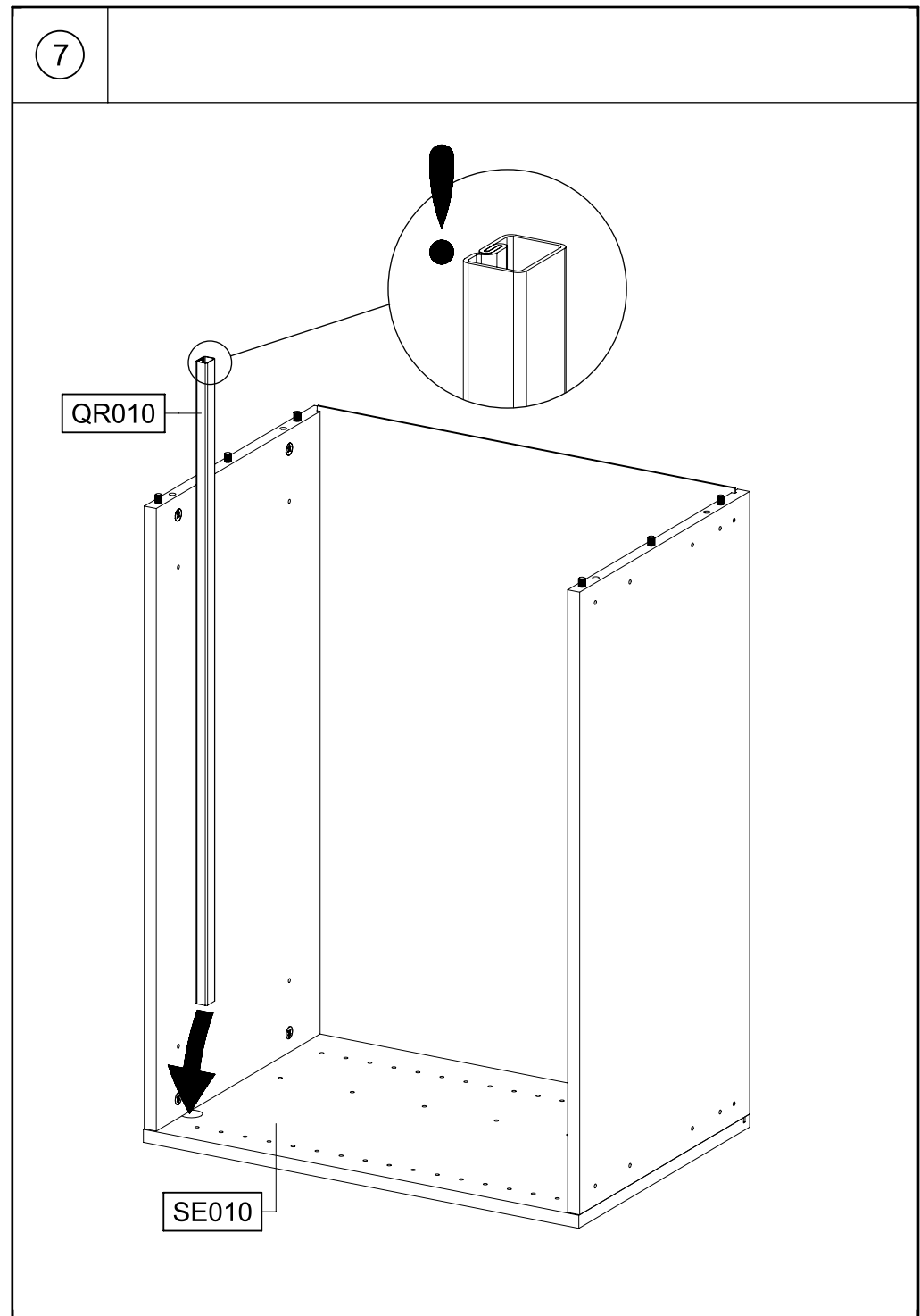
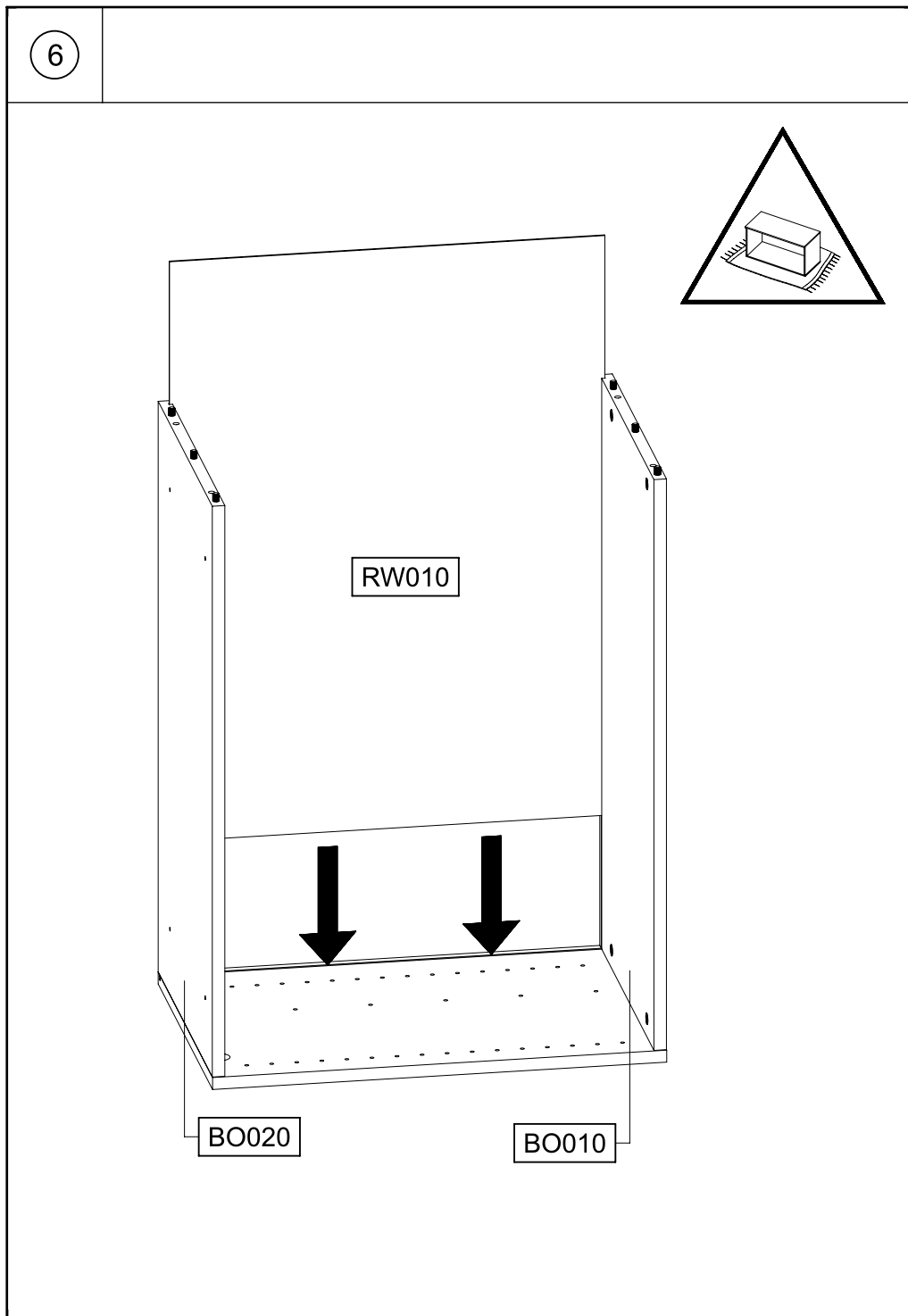
BO010

1.

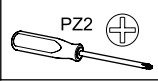
SE010

2.

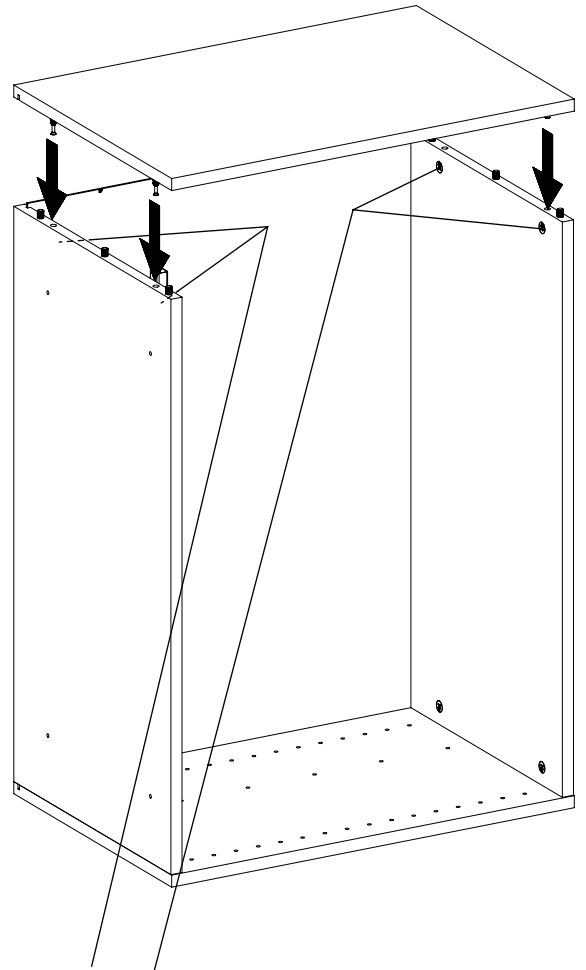




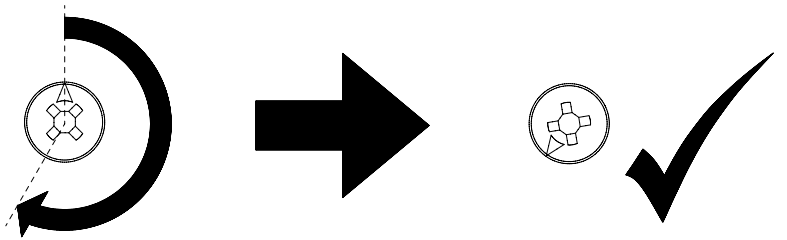
8



1.

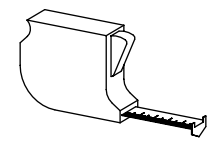
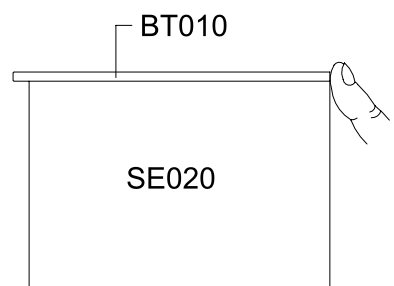
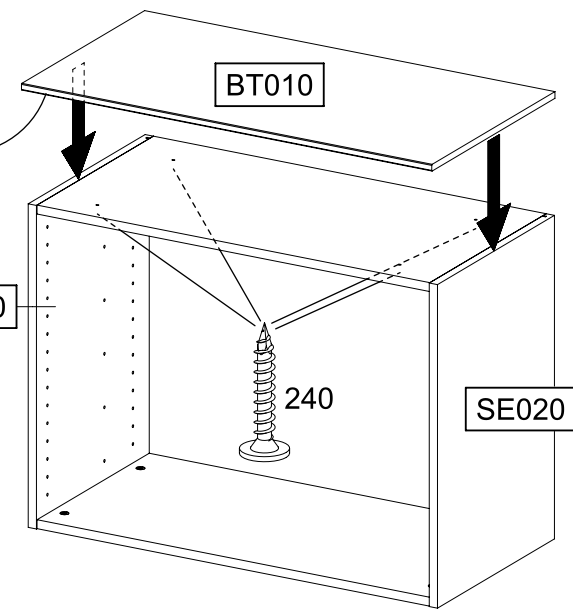
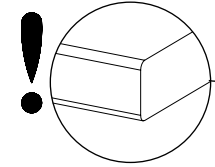
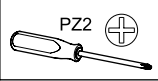
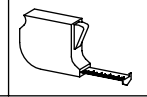


2.

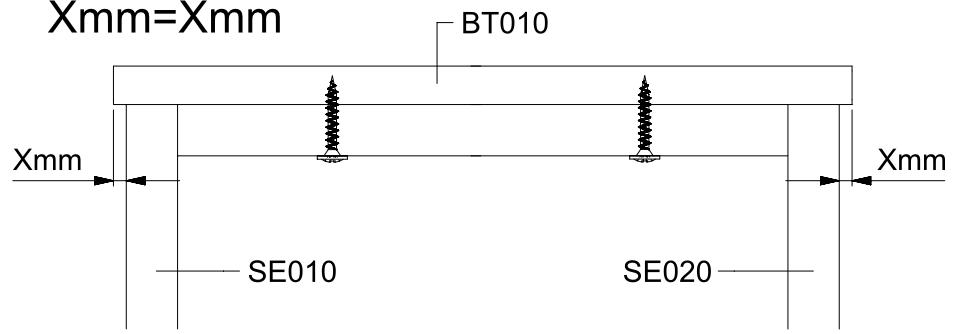


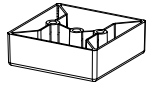
9

4x 240

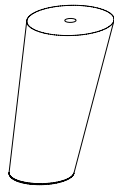


Xmm=Xmm

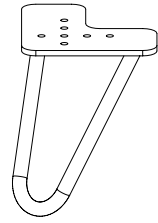




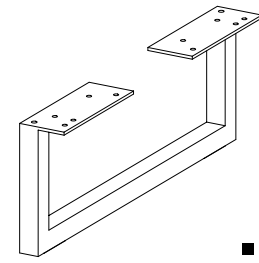
1207



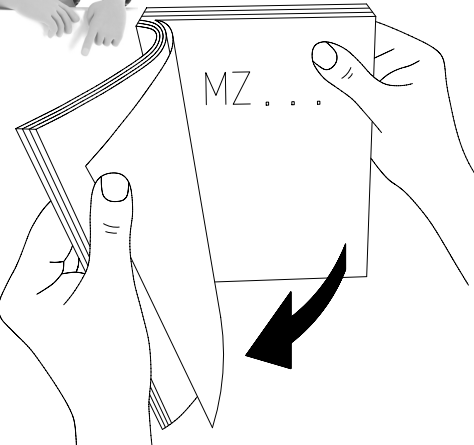
1481



1345



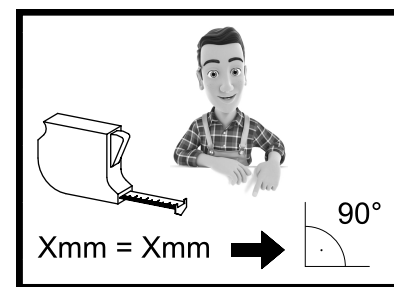
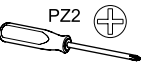
1348



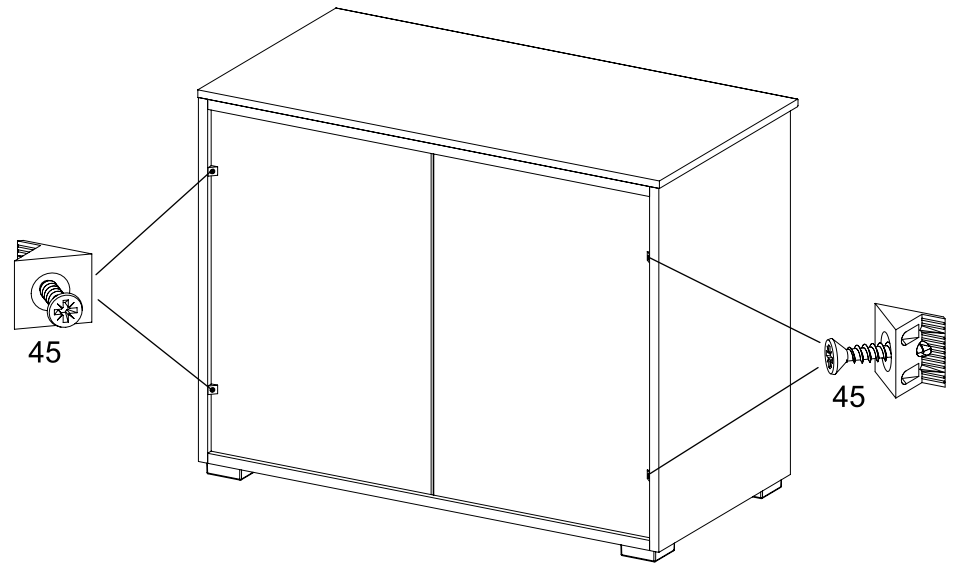
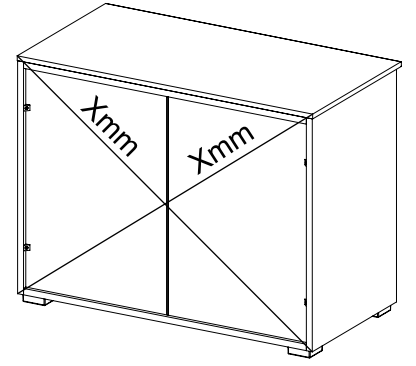
10

4x

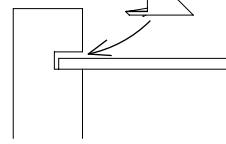
45



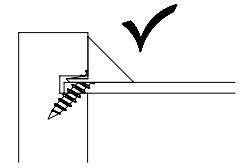
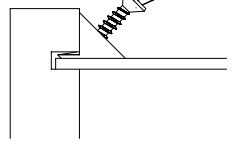
1.



2.

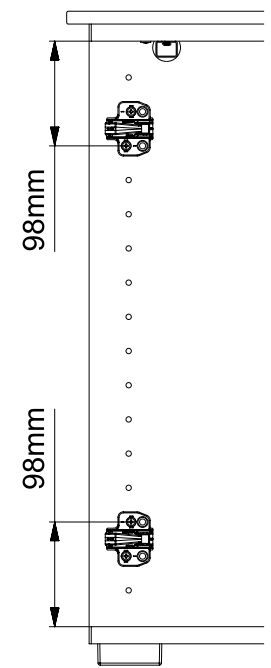
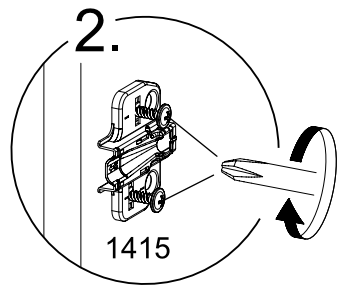
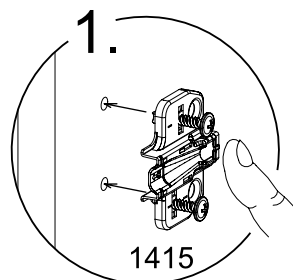
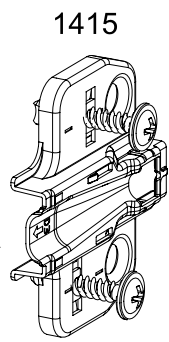
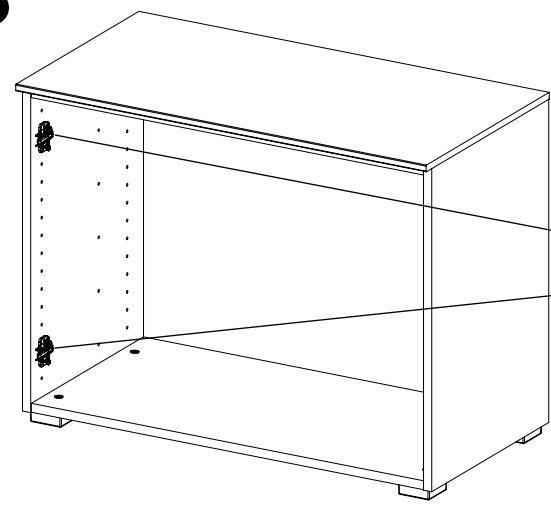
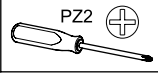
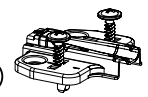


3.



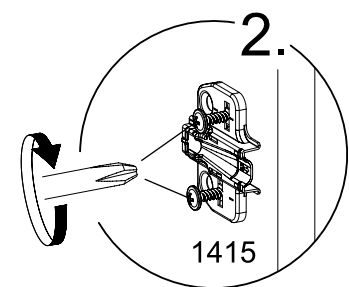
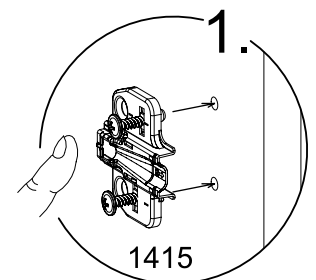
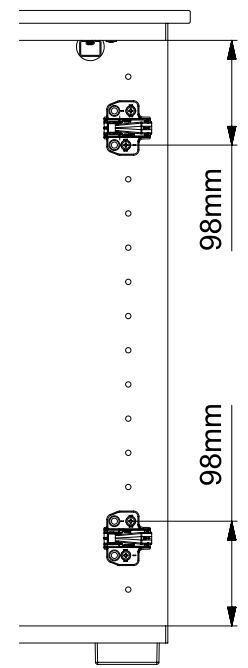
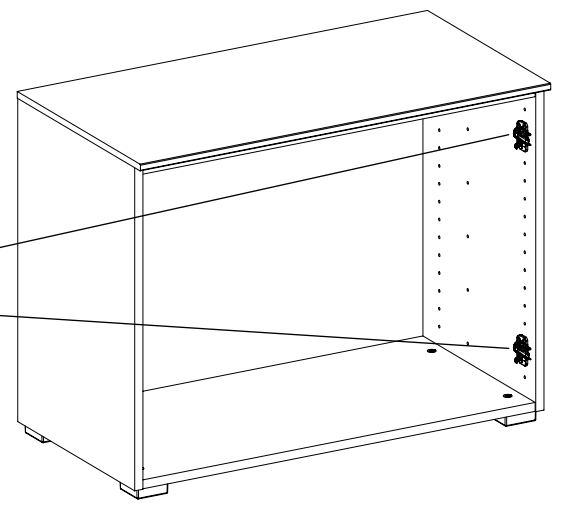
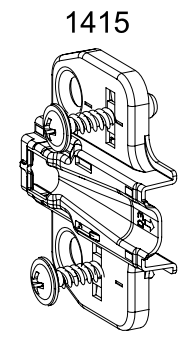
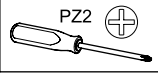
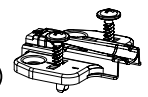
11

2x 1415



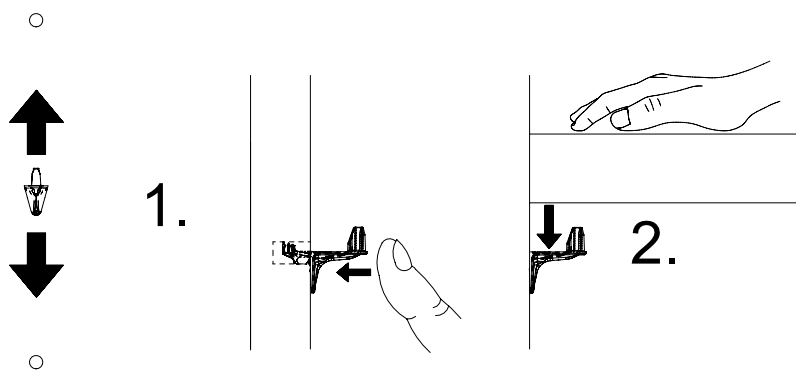
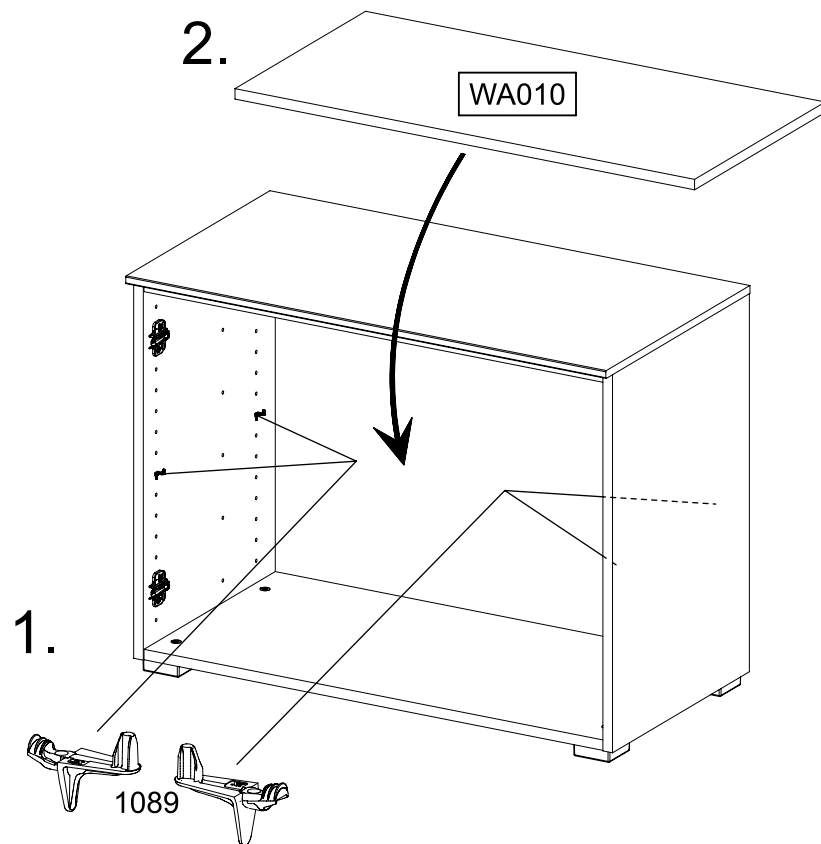
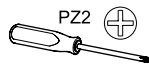
12

2x 1415



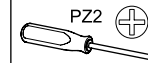
13

4x 1089

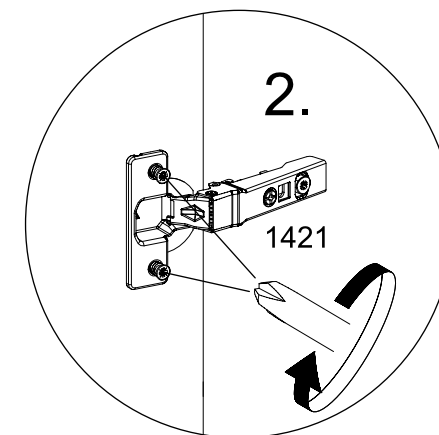
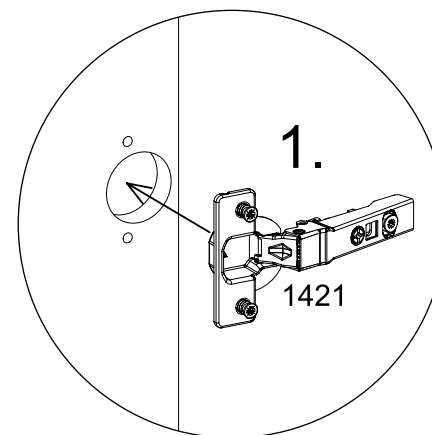
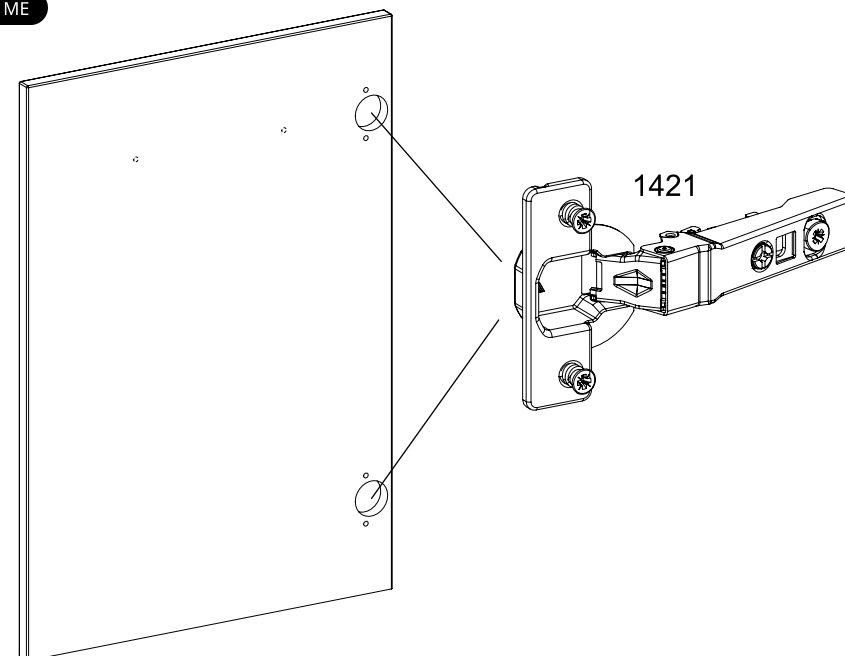


14

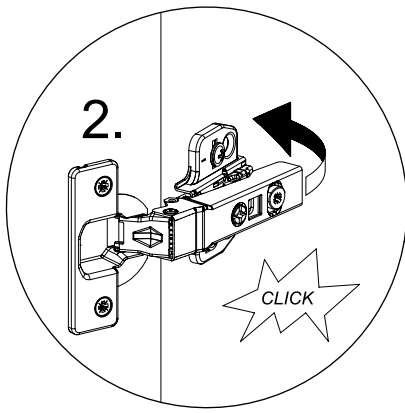
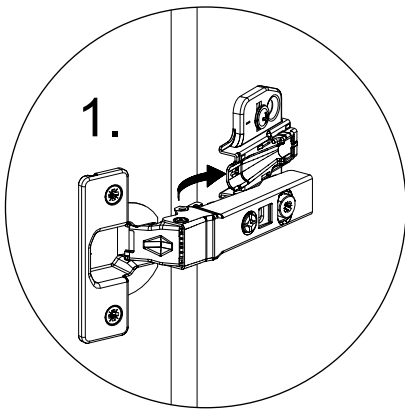
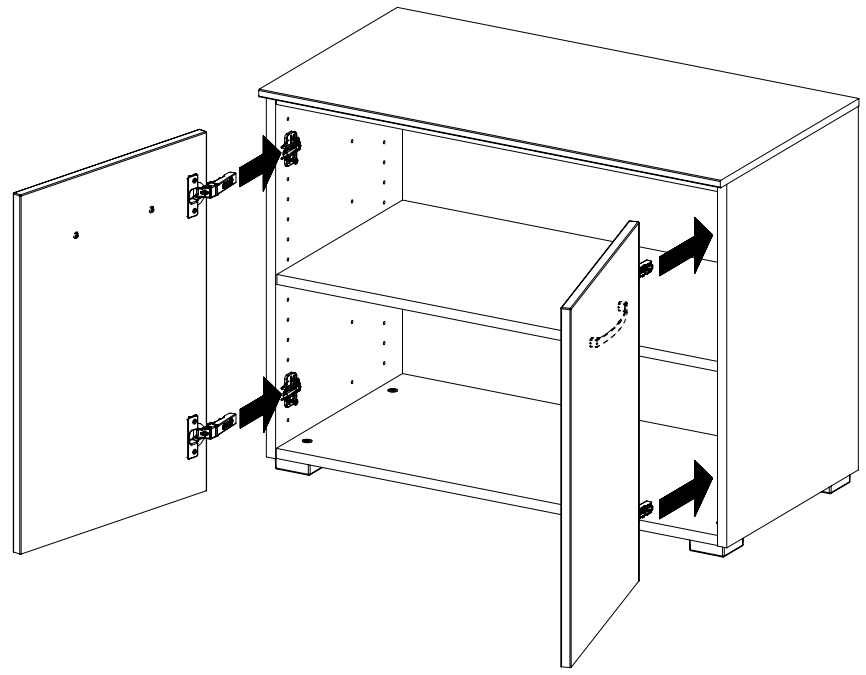
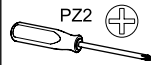
4x 1421



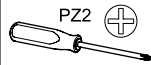
SCAN ME



15



16



SCAN ME

