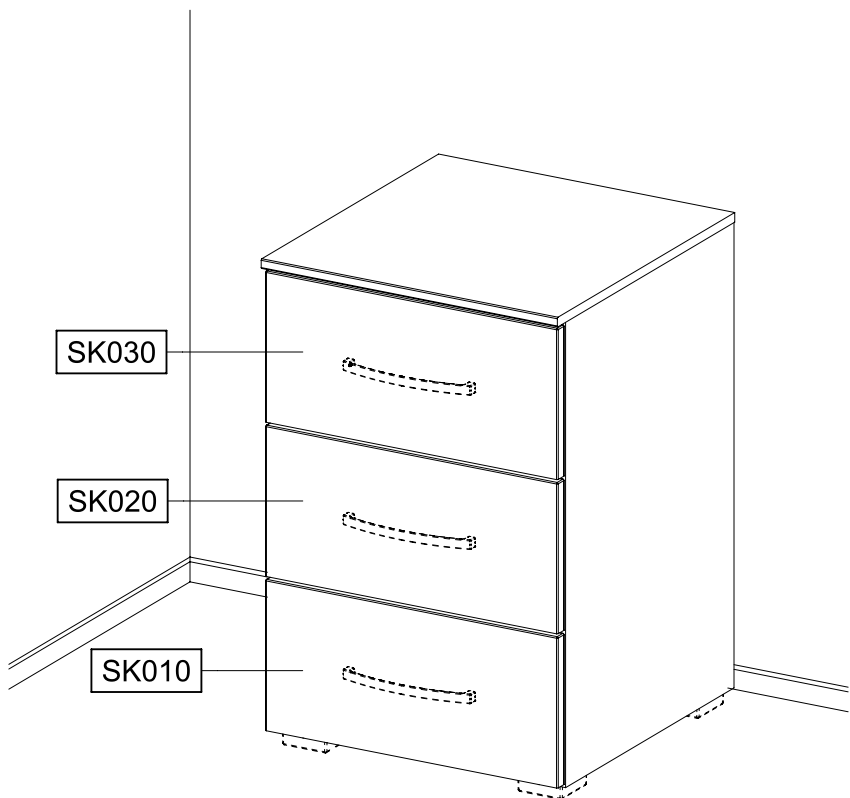
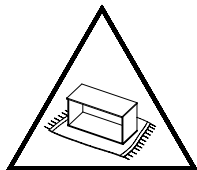
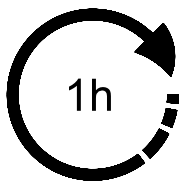
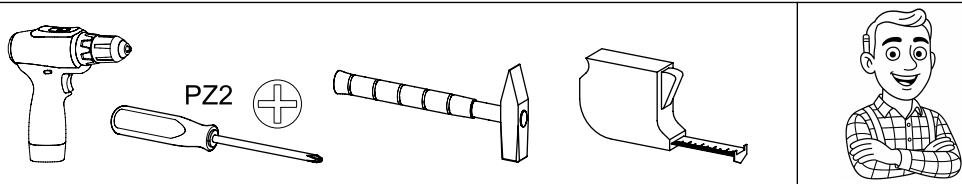
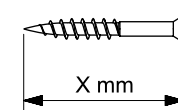
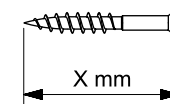
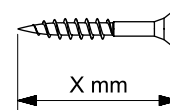
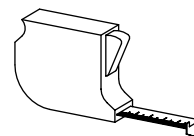
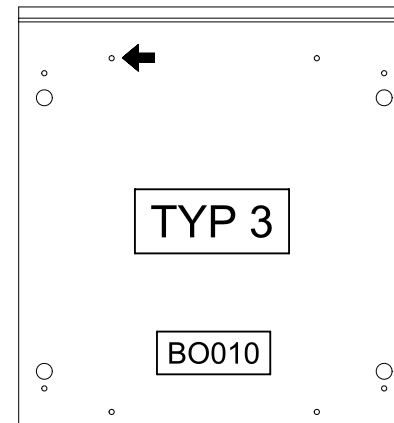
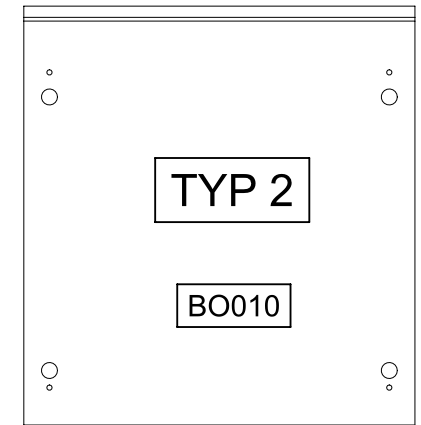
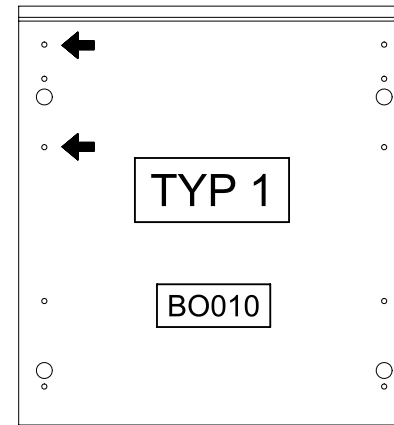
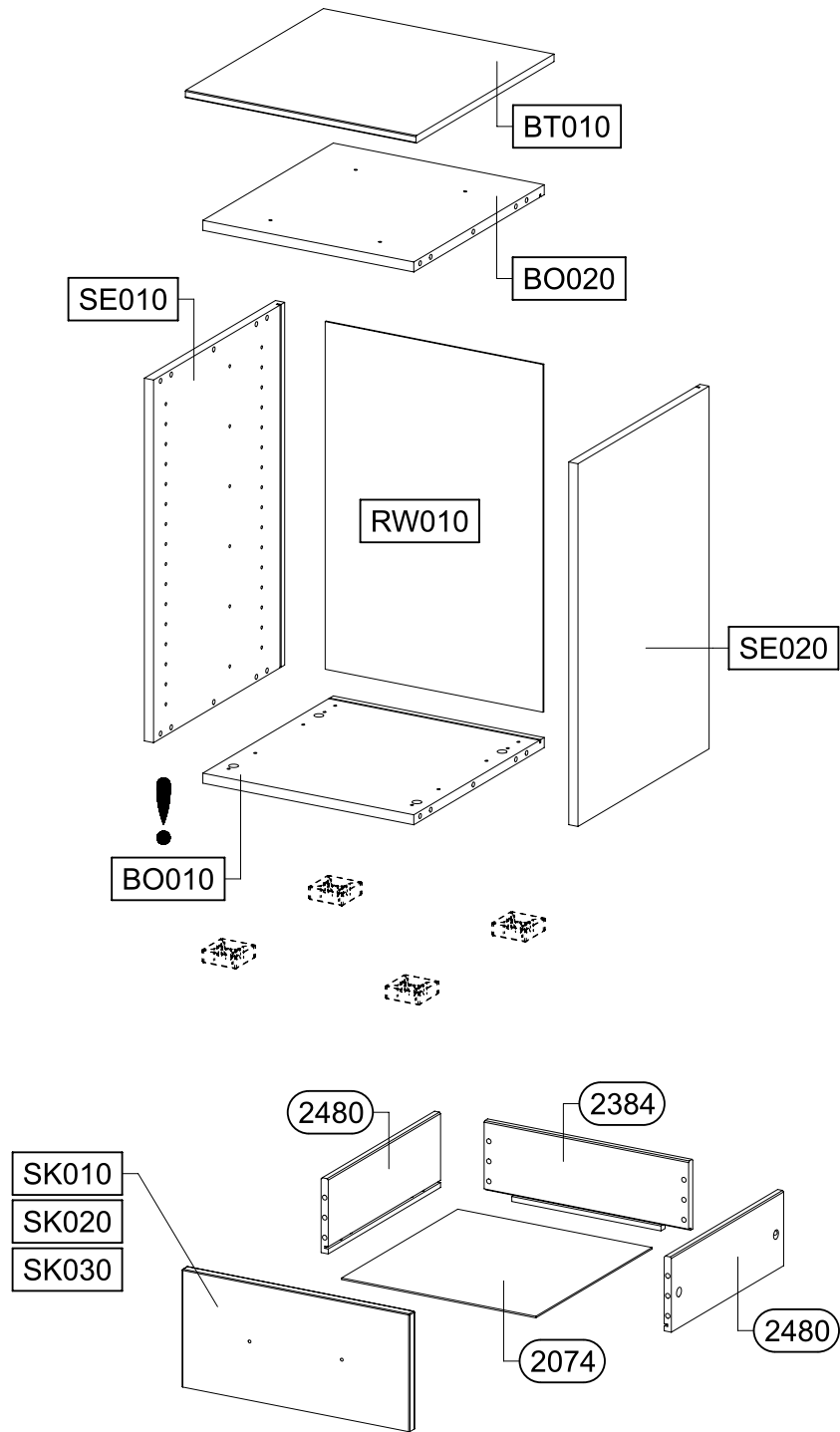


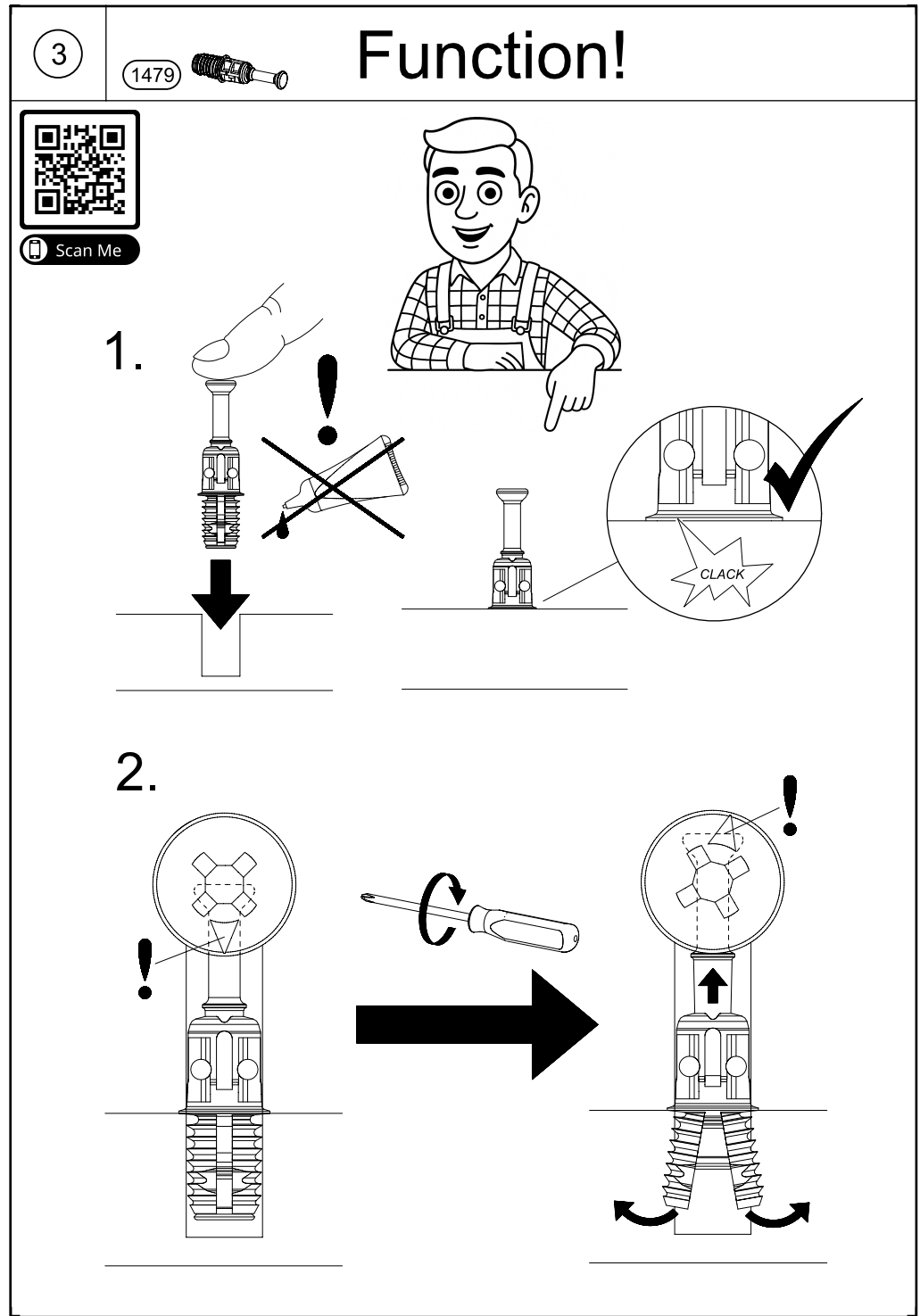
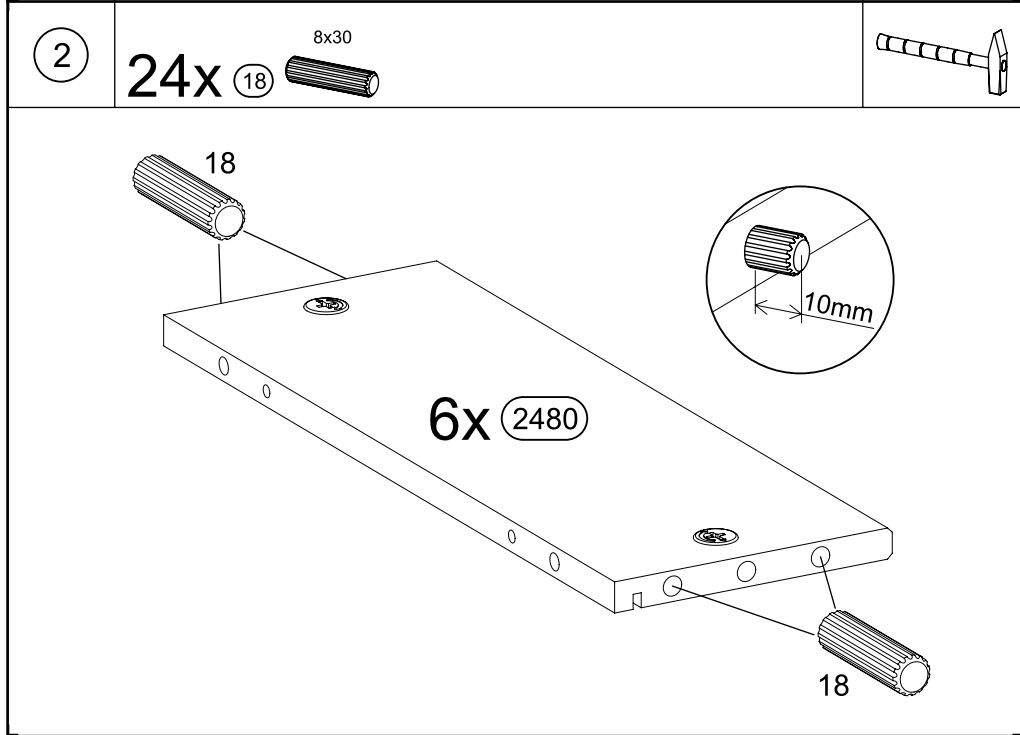
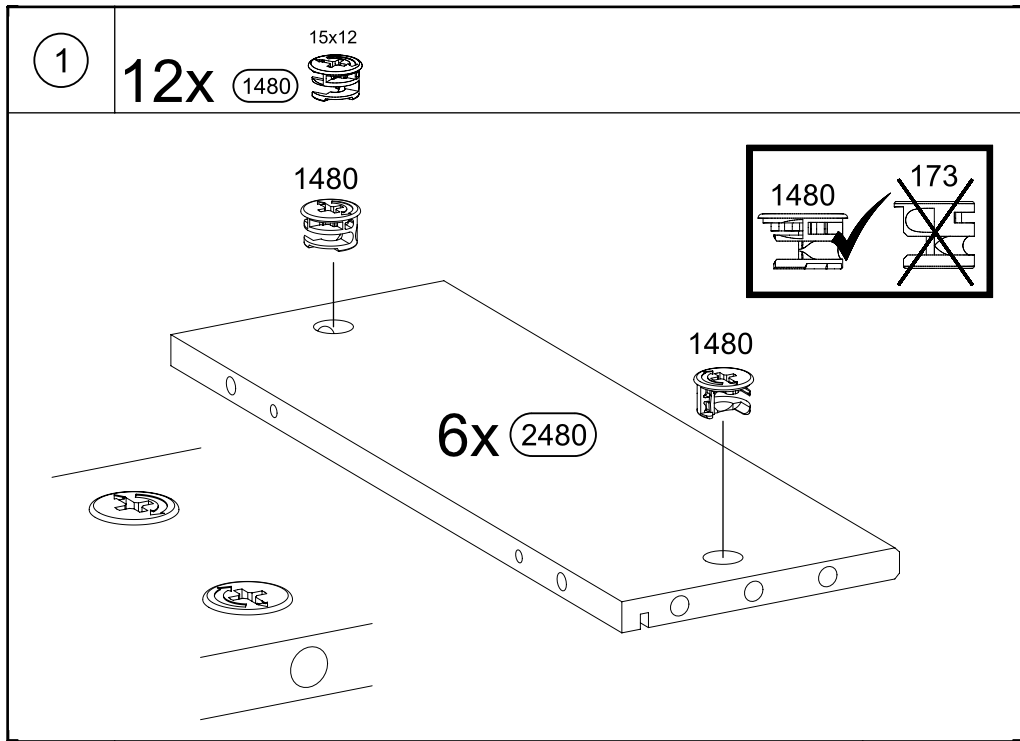
M3092_02

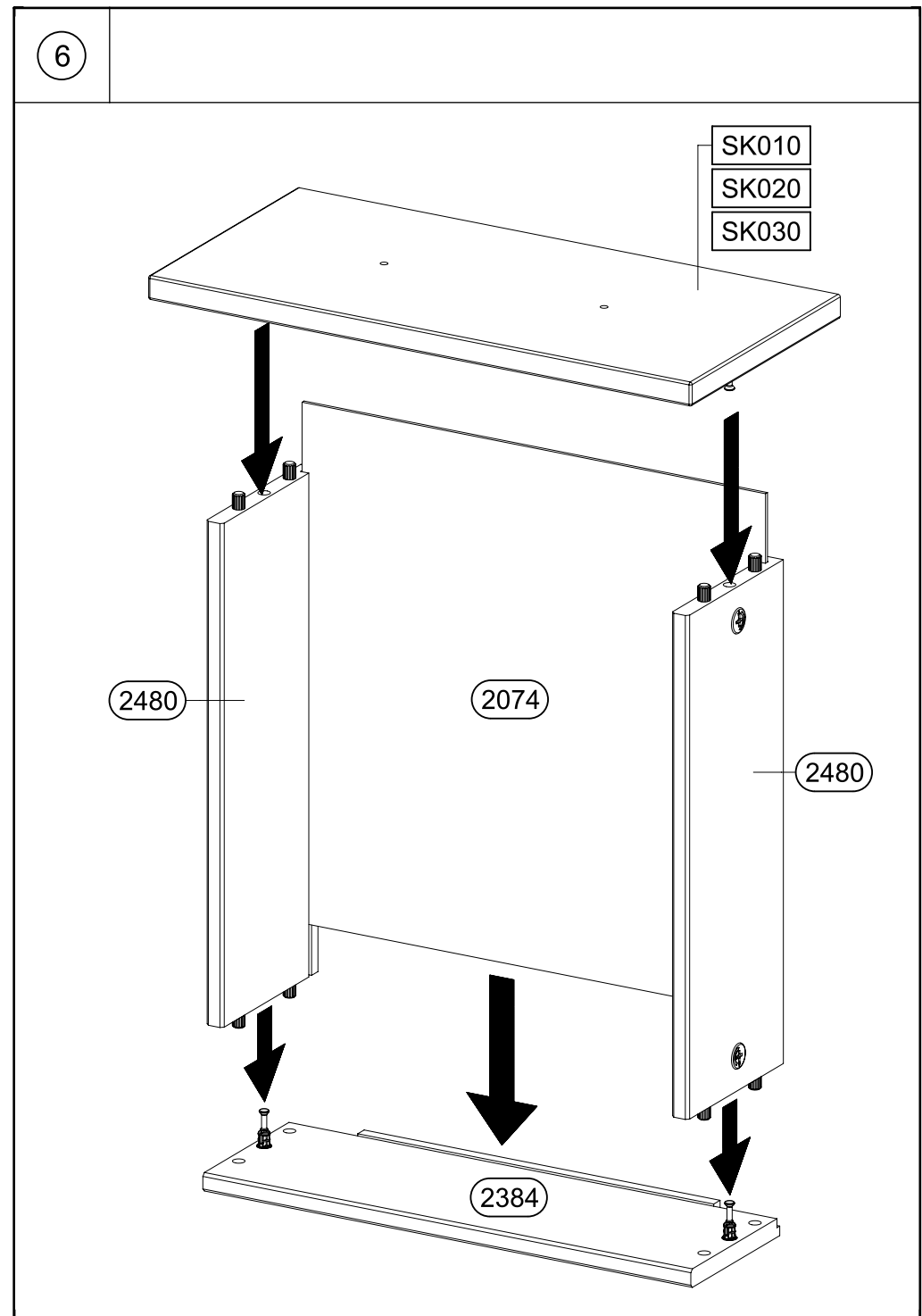
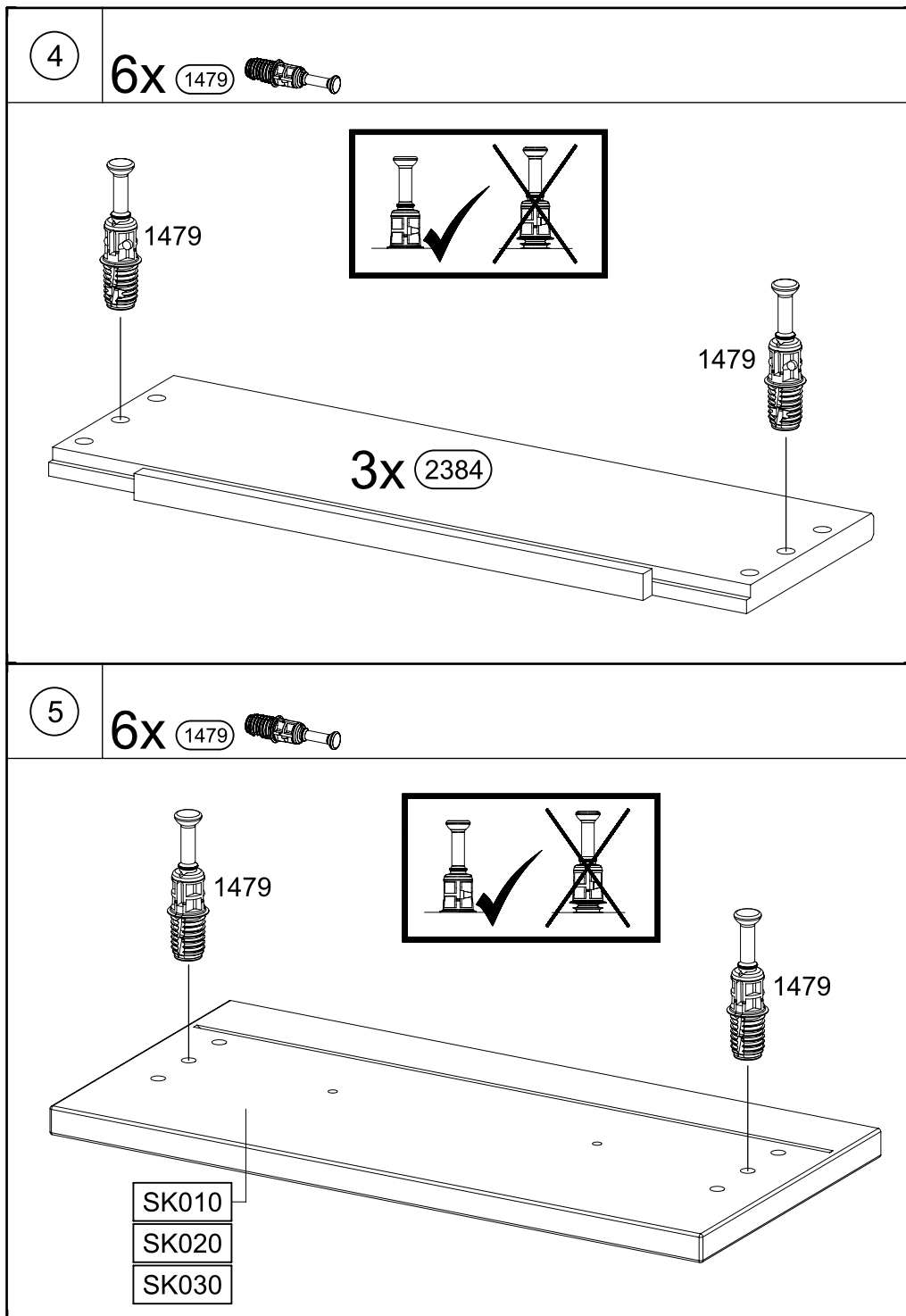


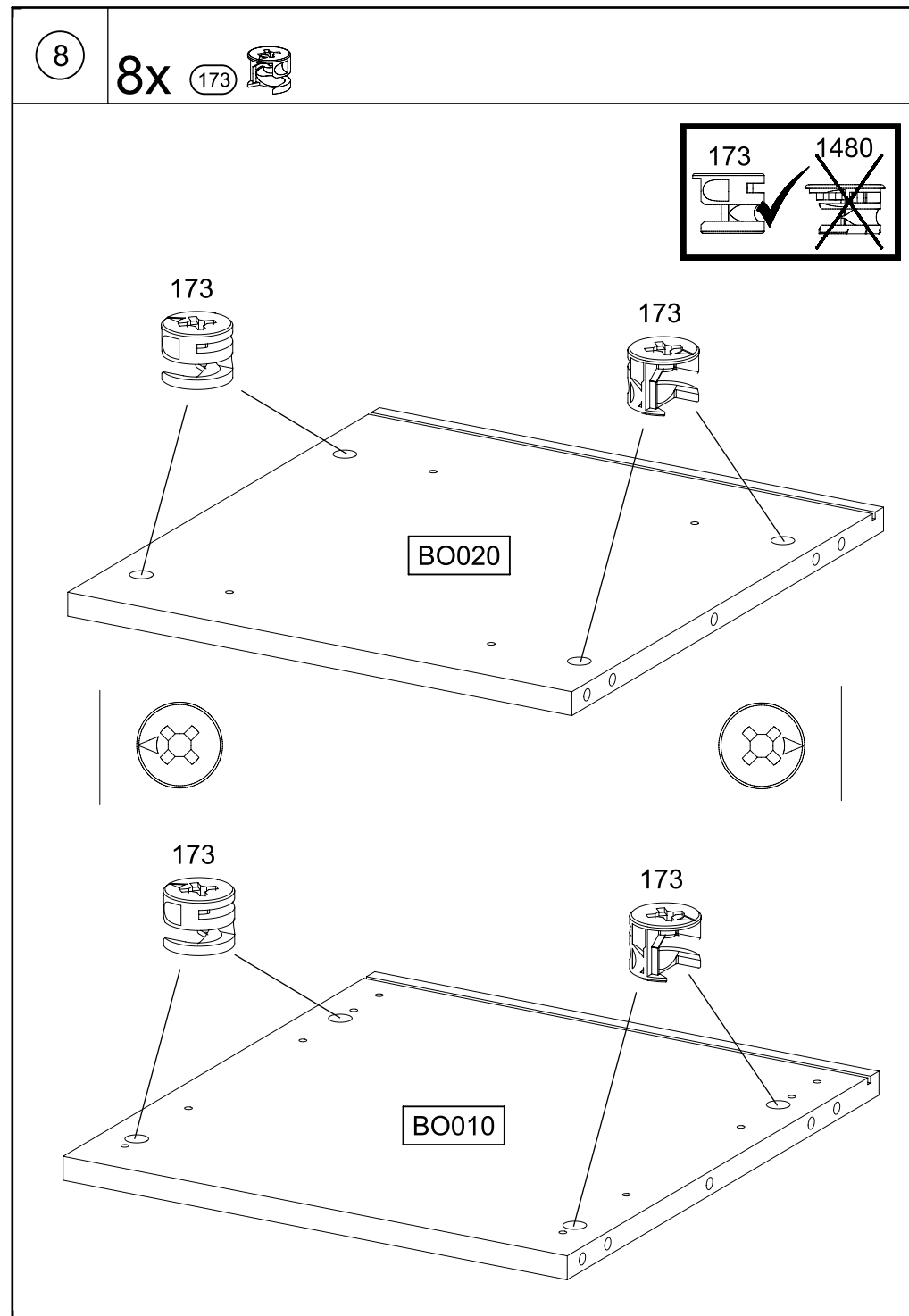
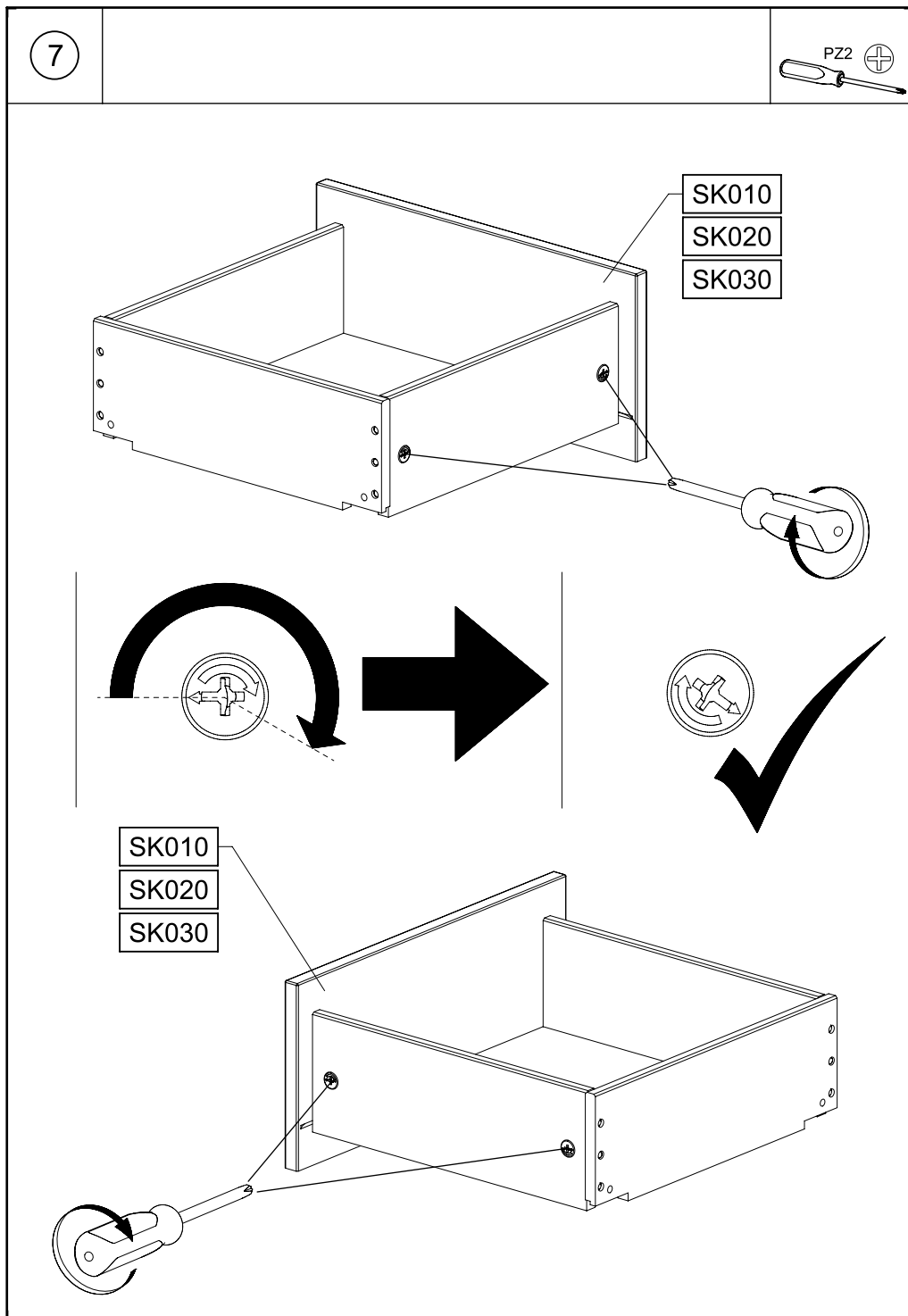
12x 4x15 836	36x 8x30 18	12x 6,3x9 792	12x 15x12 1480
3x UF010	4x 4x25 240		
3x UF020	4x 45		
20x 1479	6x 852	8x 173	

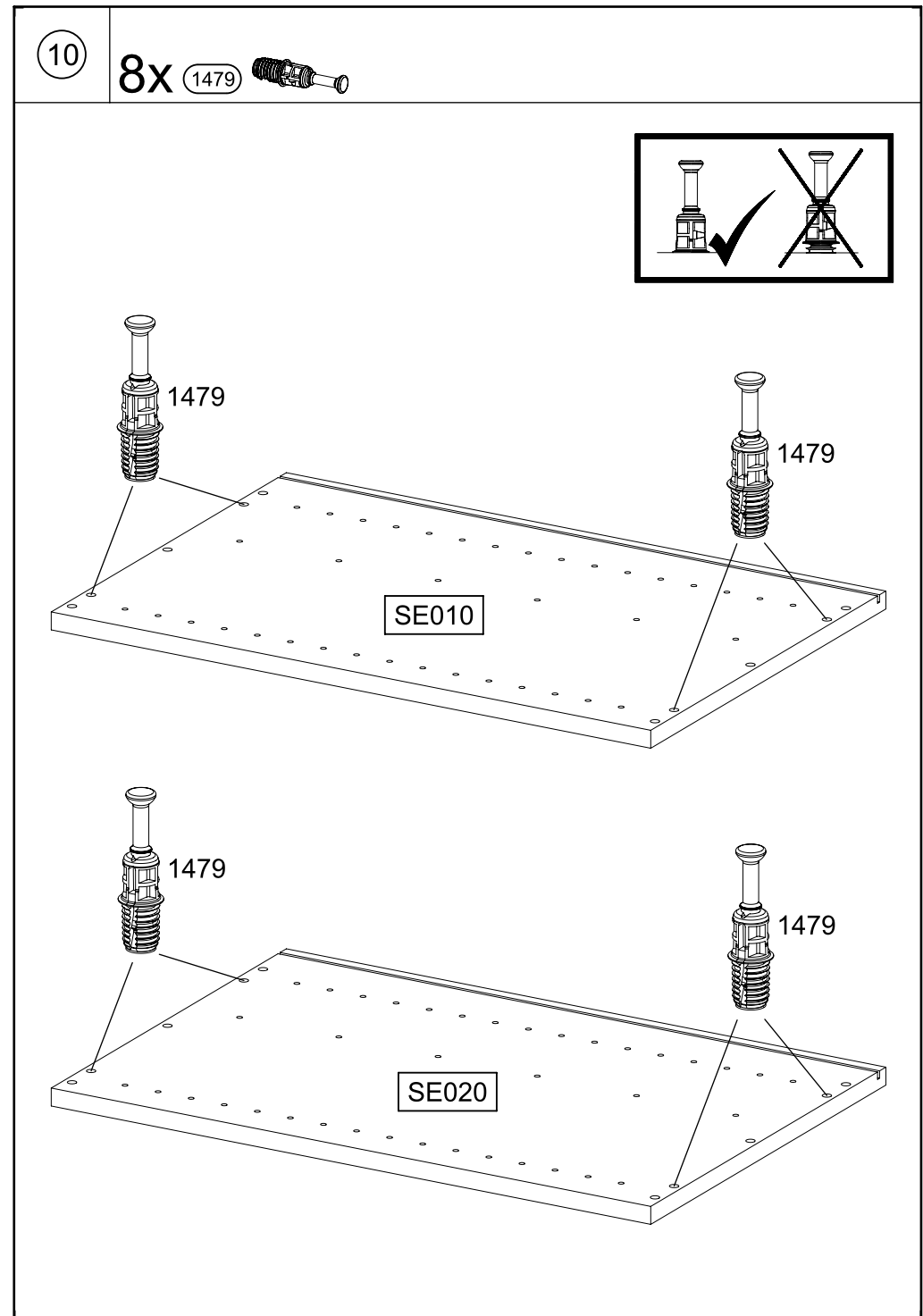
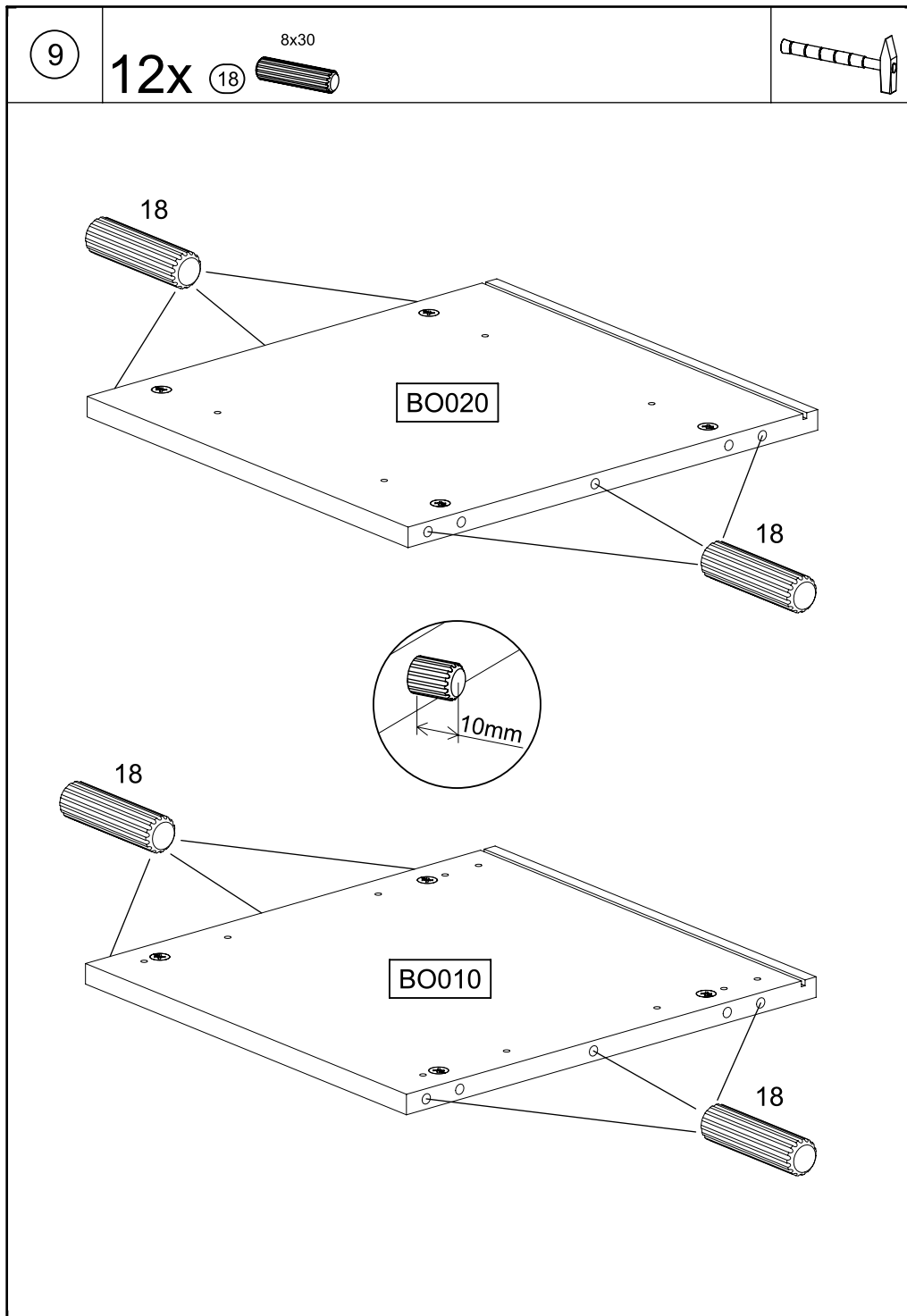


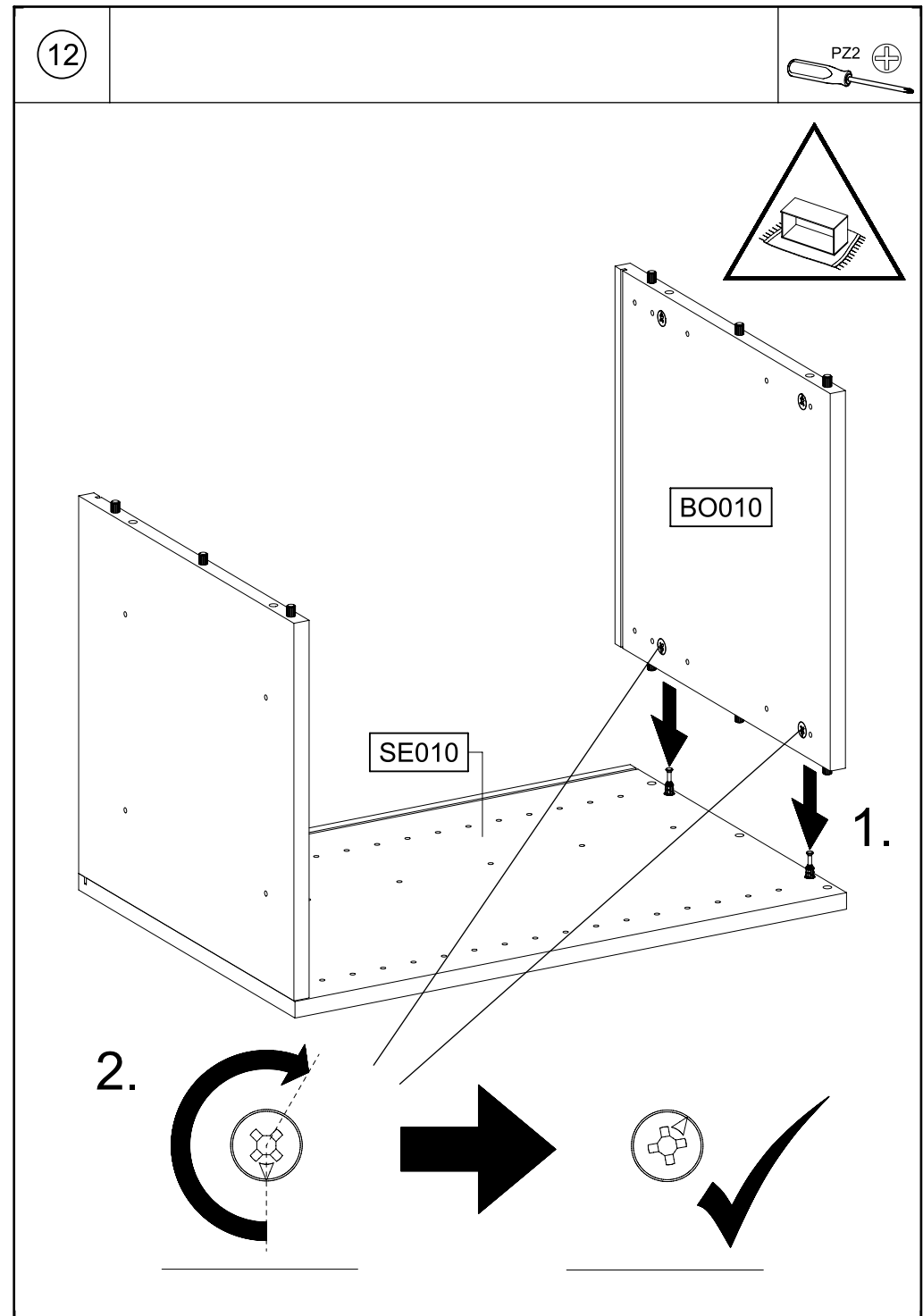
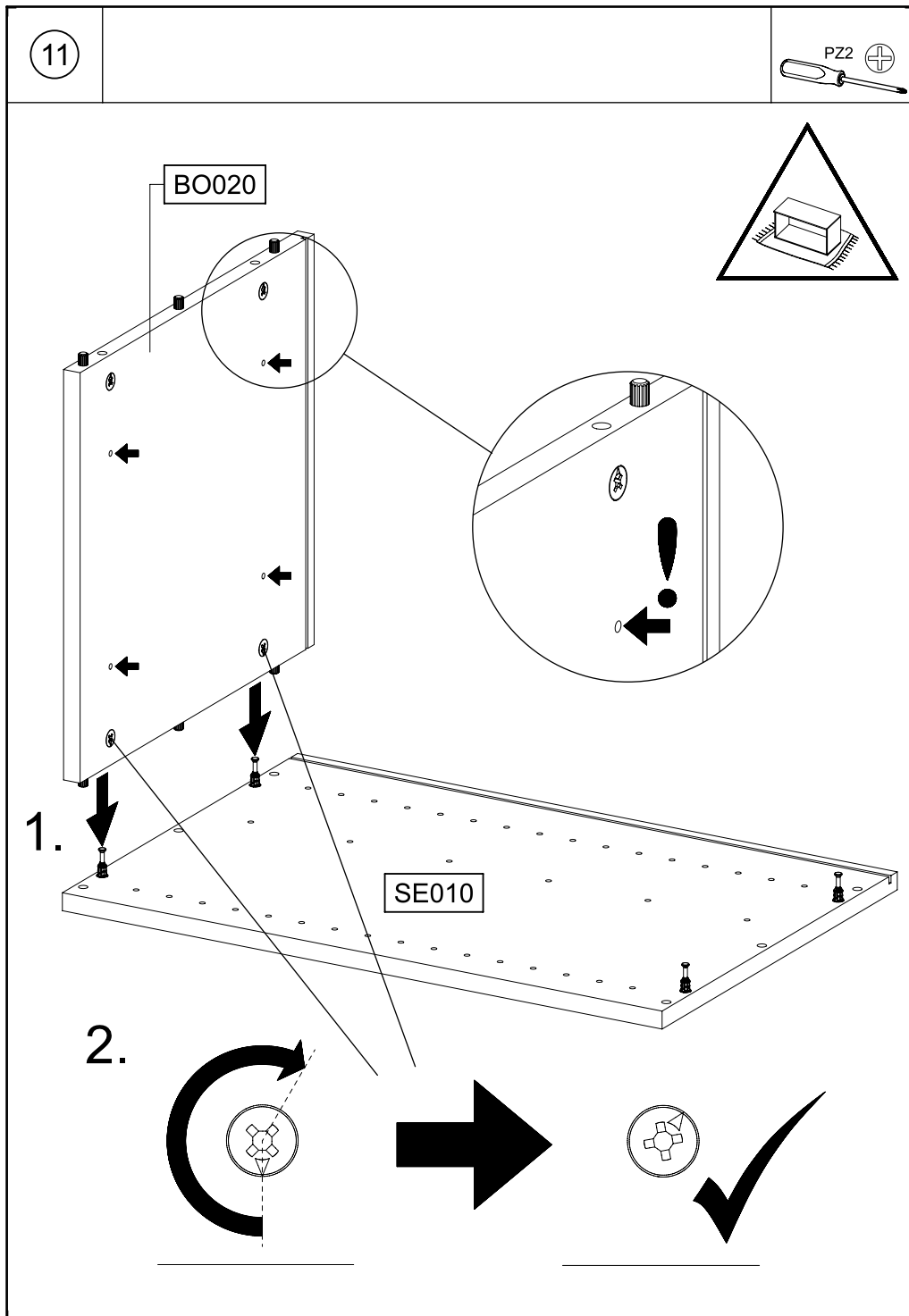




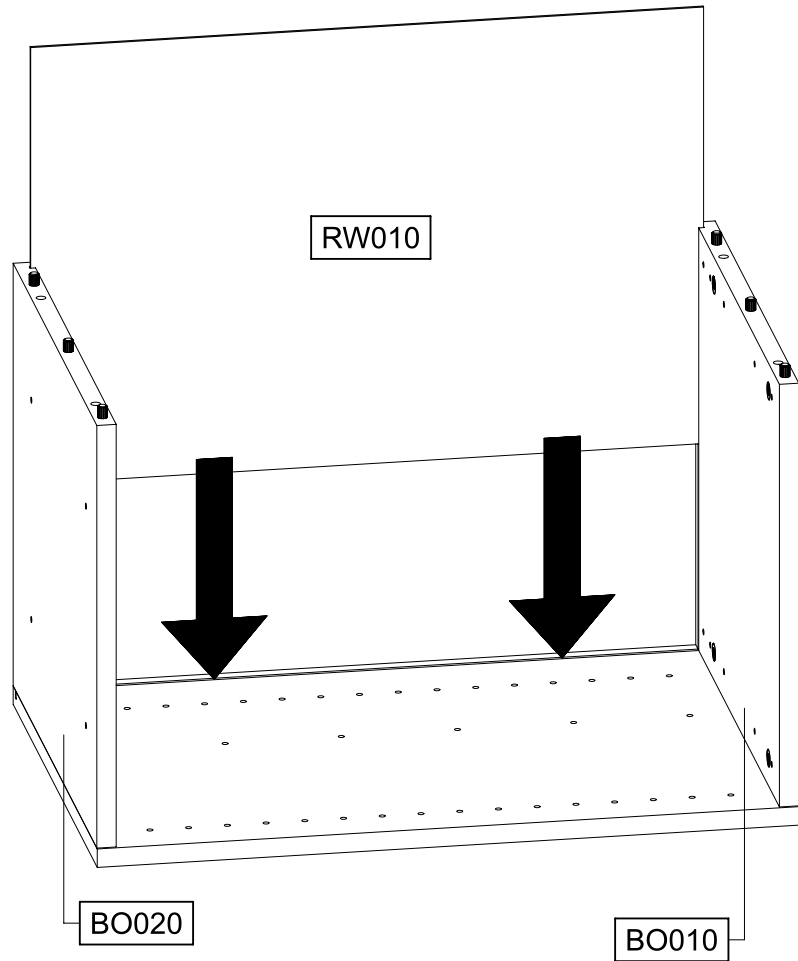
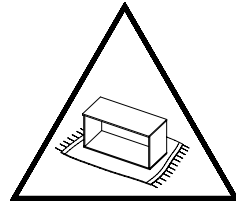




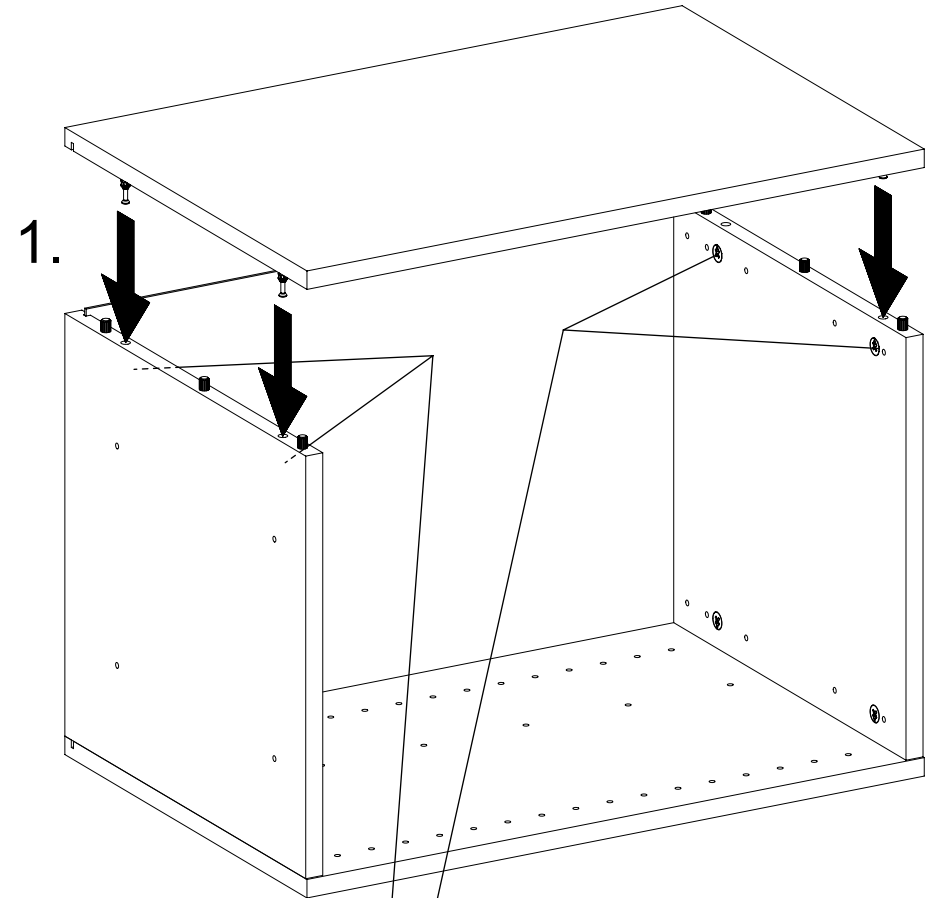
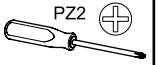




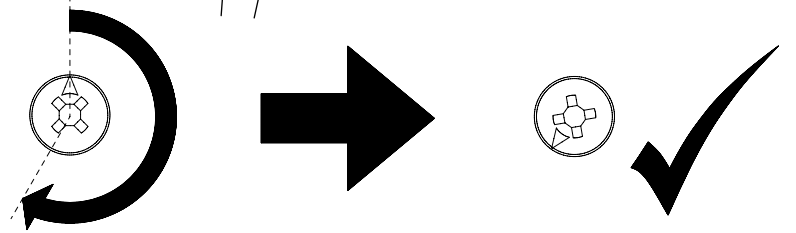
13



14



2.

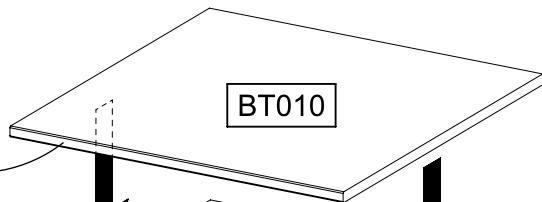
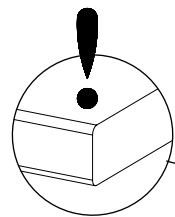
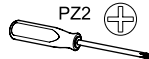
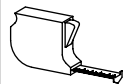


15

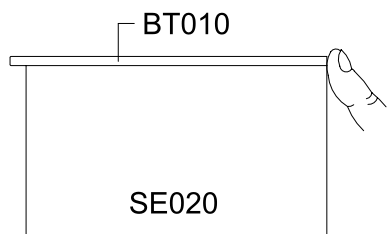
4x

240

4x25

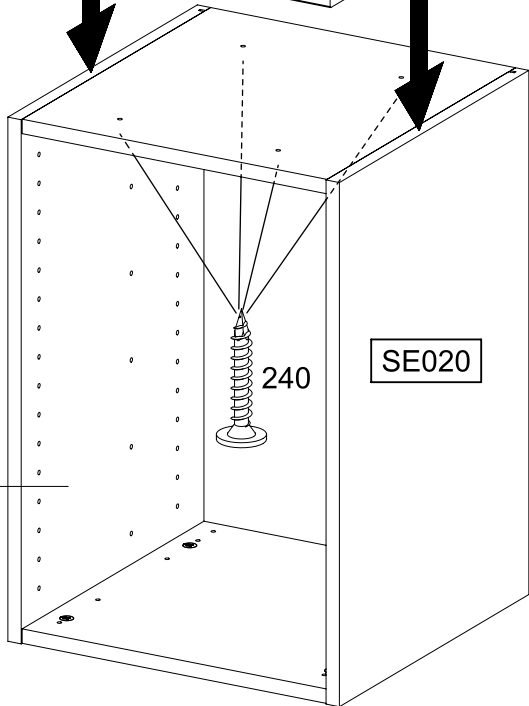


BT010



BT010

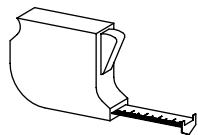
SE020



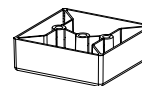
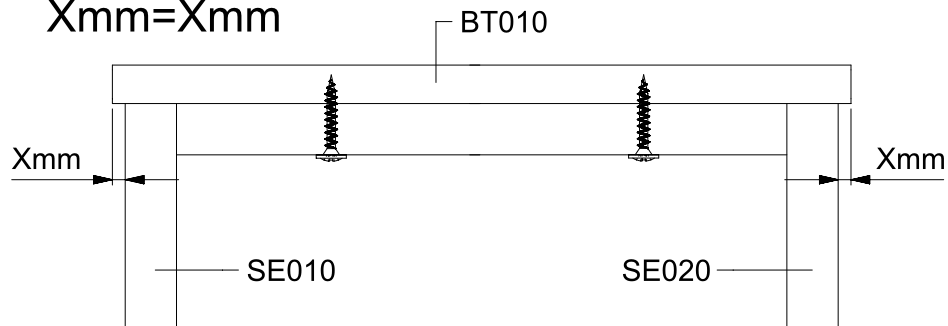
240

SE020

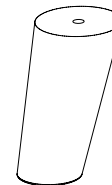
SE010



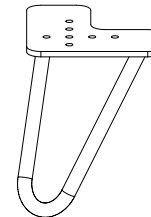
Xmm=Xmm



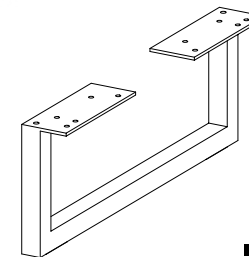
1207



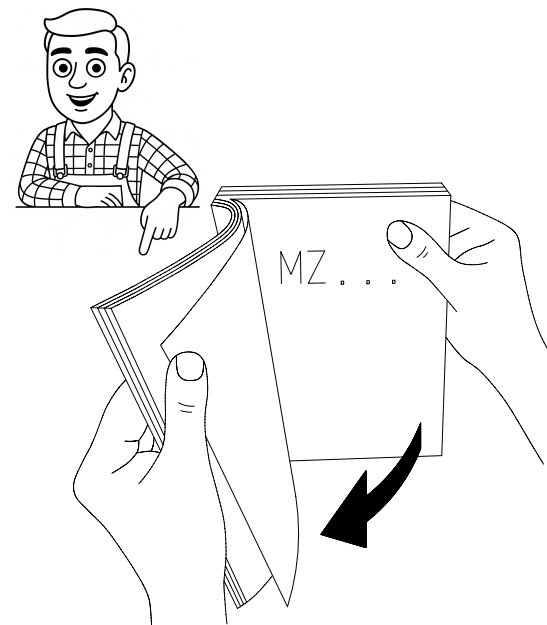
1481

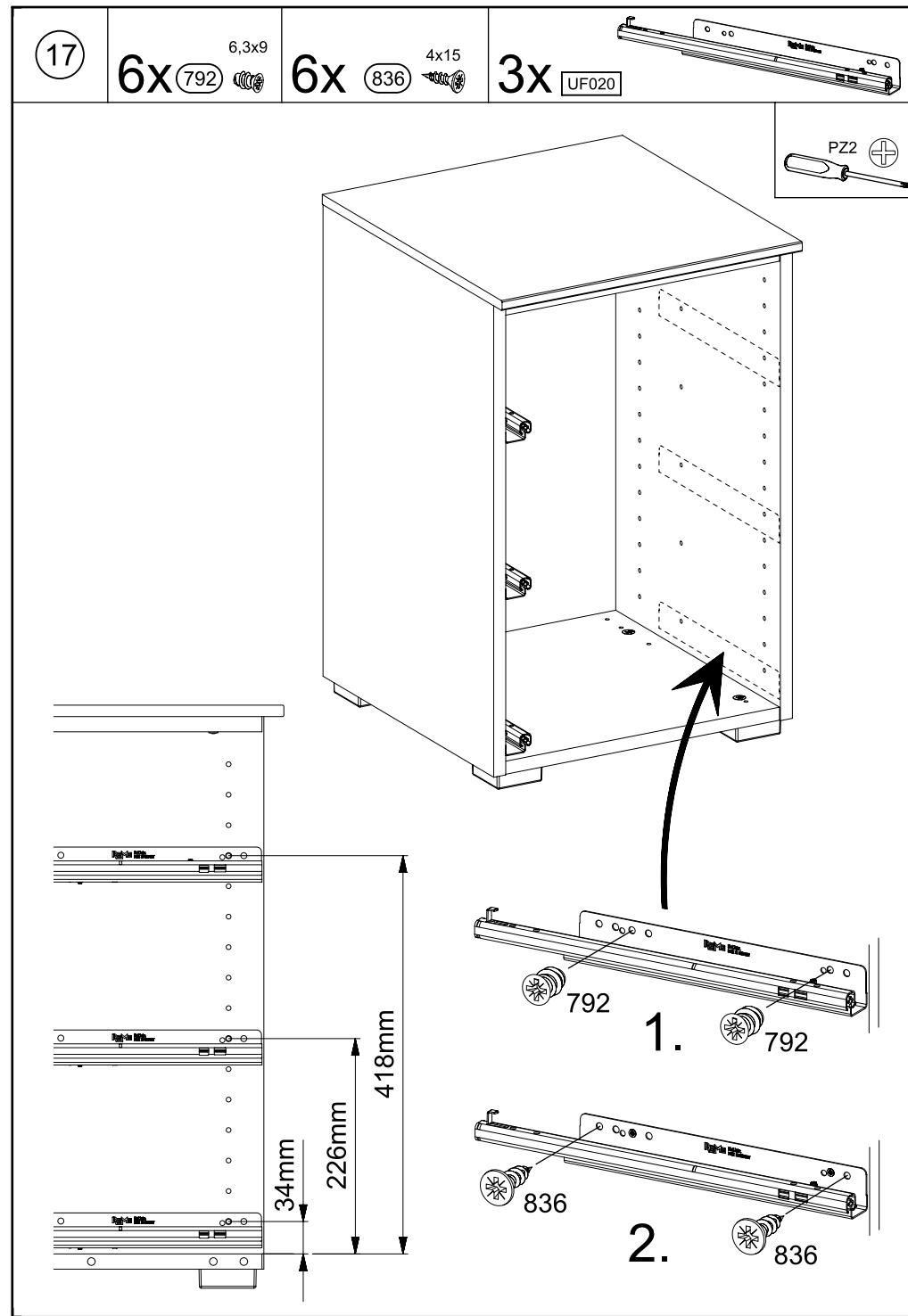
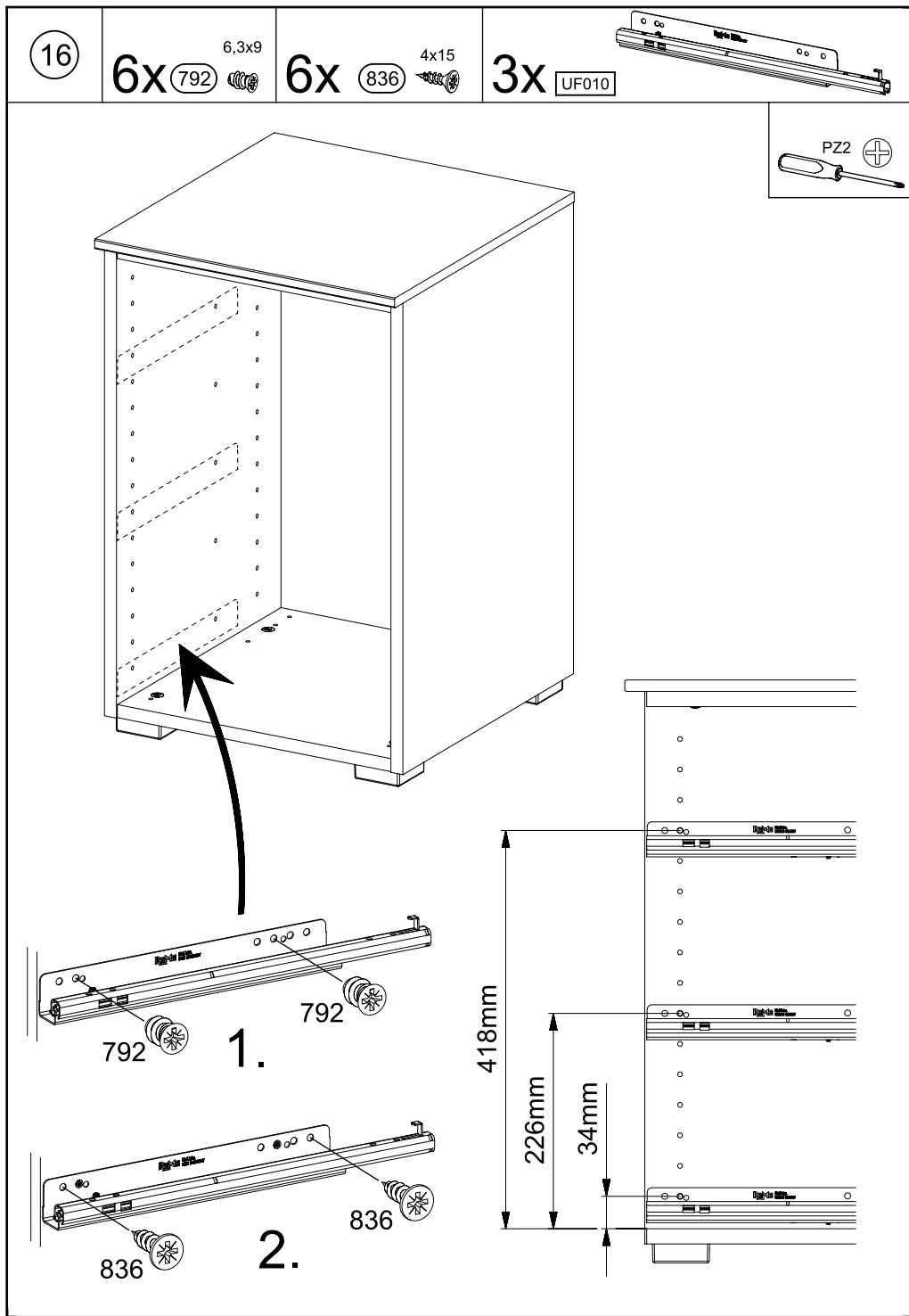


1345



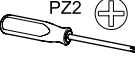
1348

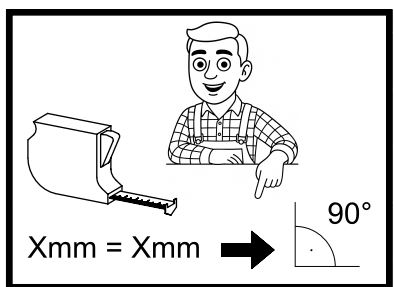




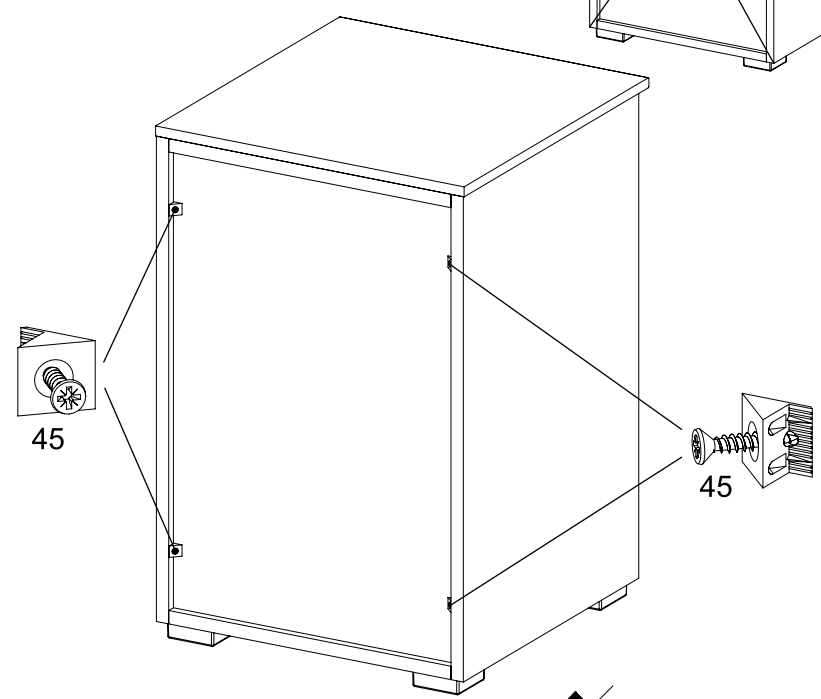
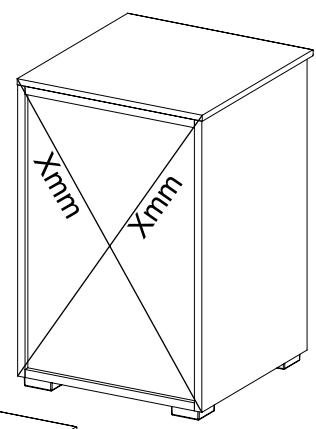
18

4x 

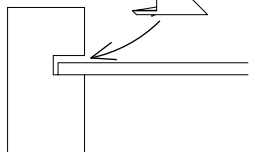
PZ2 



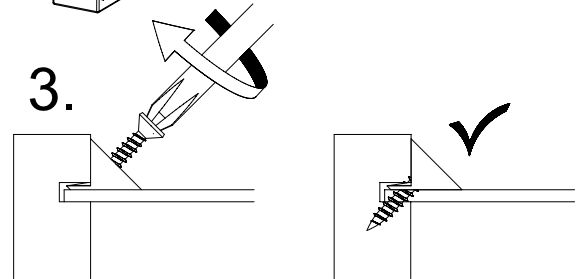
1.



2.

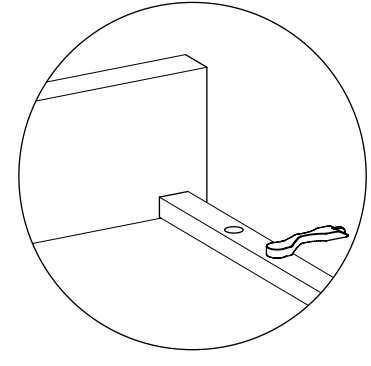
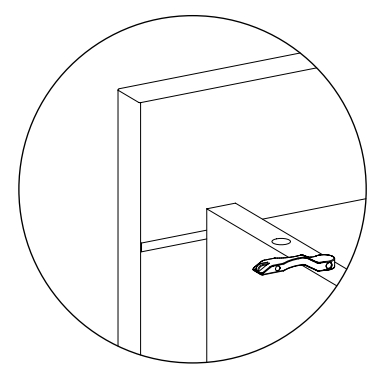
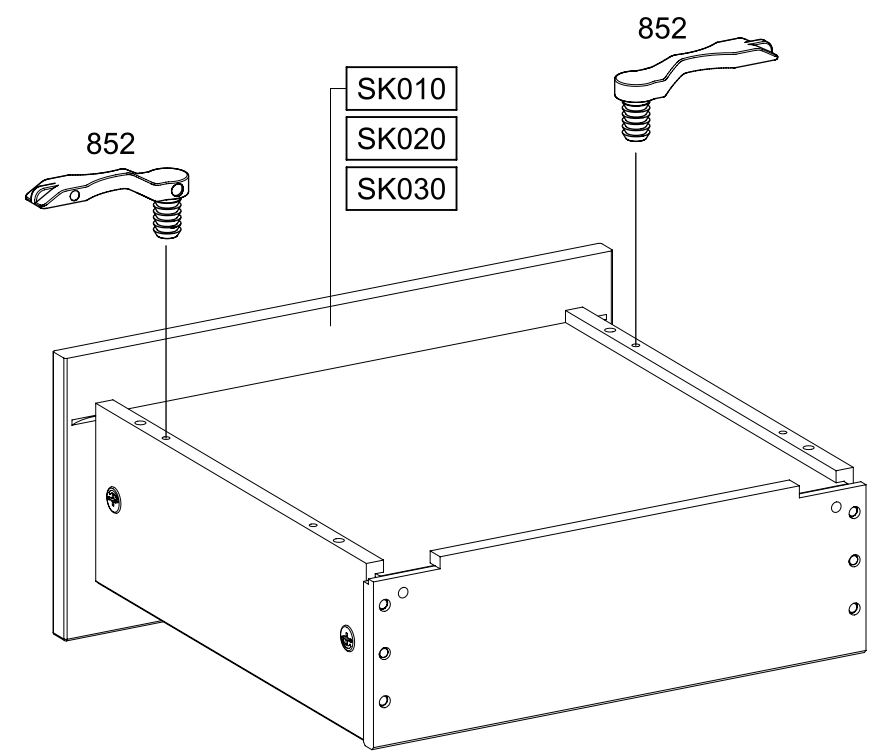


3.

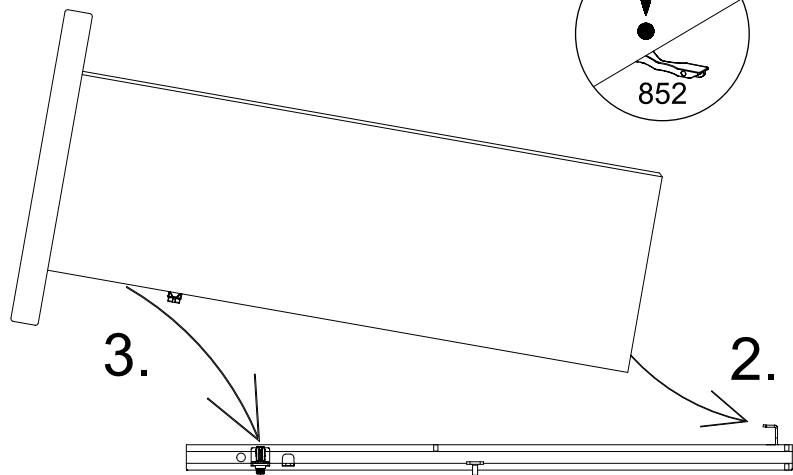
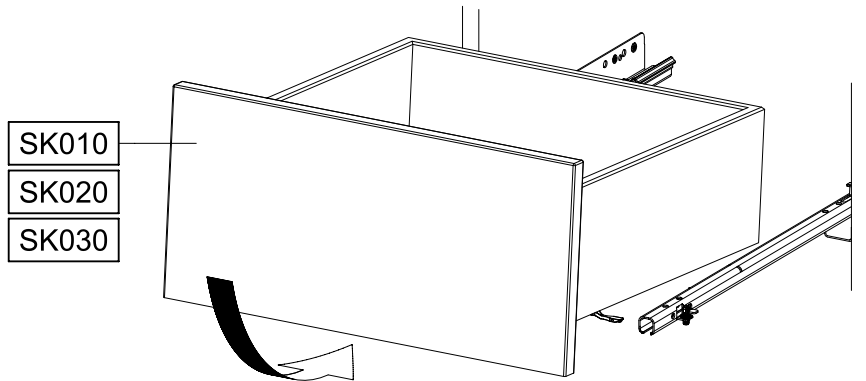
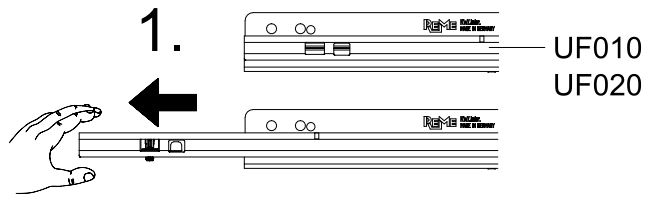


19

4x 



20



21



SCAN ME

