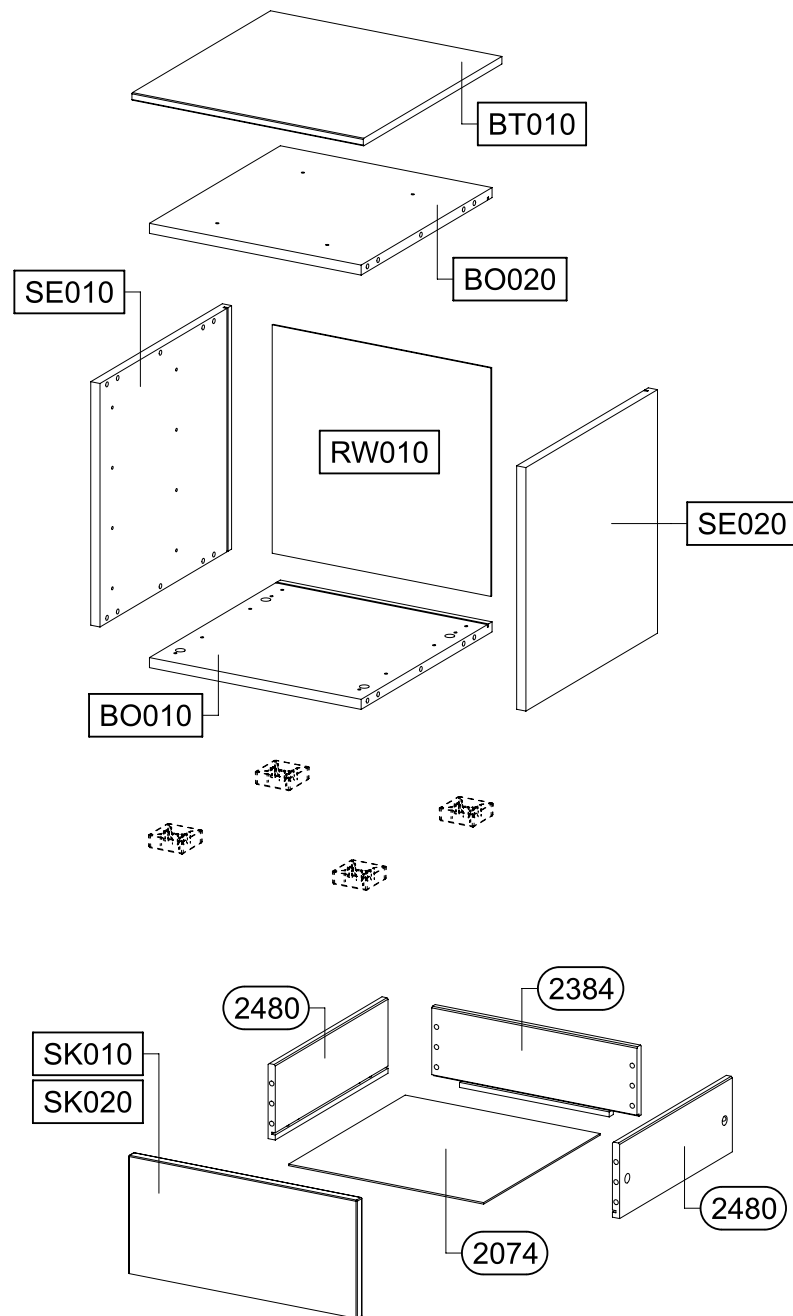
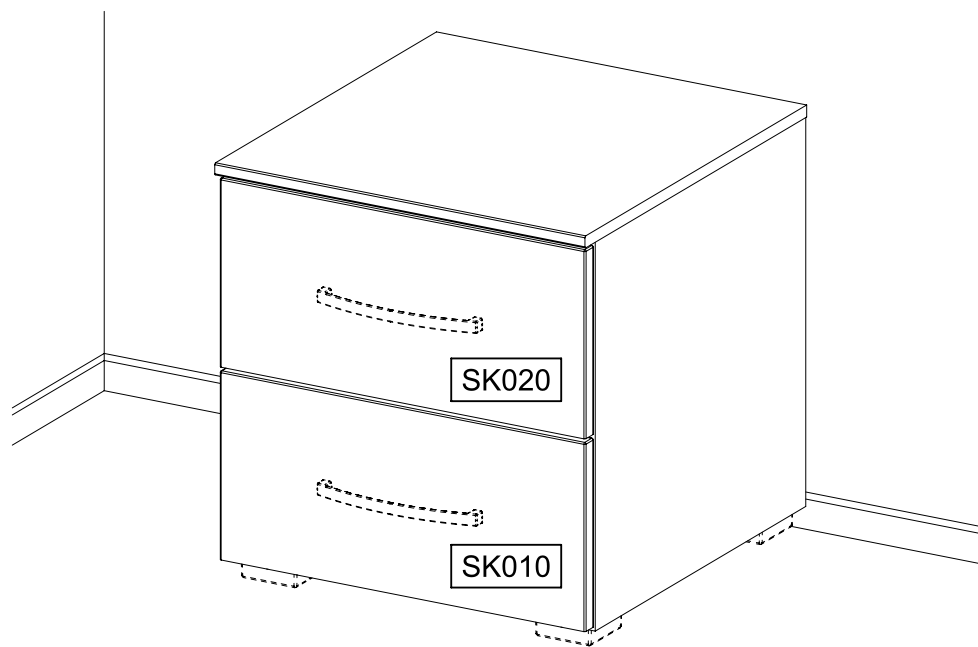
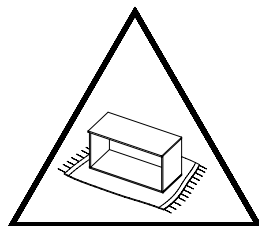
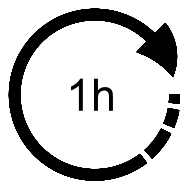
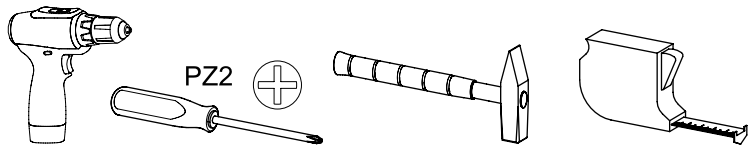



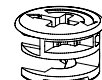
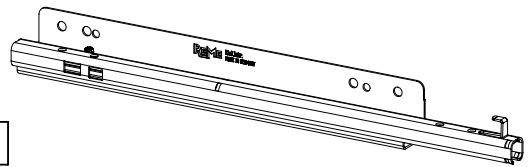

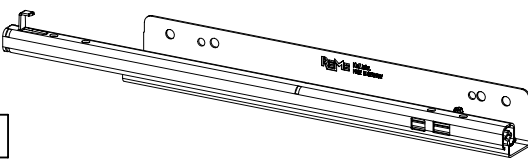
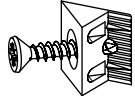
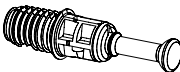

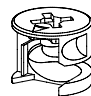
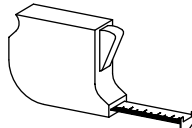
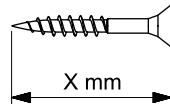
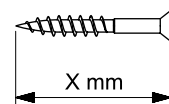
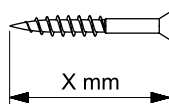



M3091_02




8x 4x15 836 	28x 8x30 18 	8x 6,3x9 792 	8x 15x12 1480 
2x UF010 	4x 4x25 240 	2x UF020 	4x 45 
16x 1479 	4x 852 	8x 173 	
   			

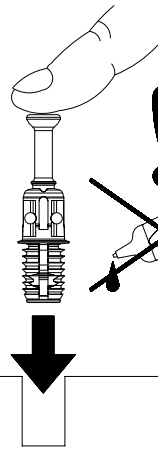
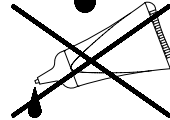
1


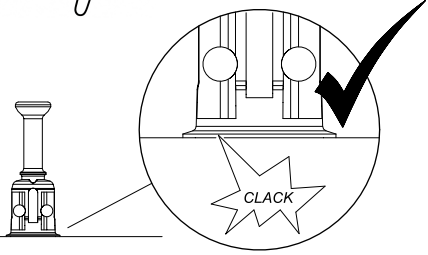

1479

Function!

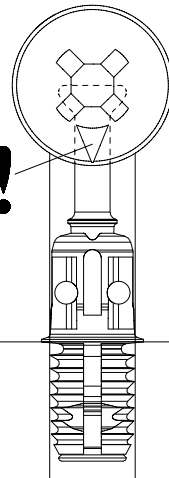
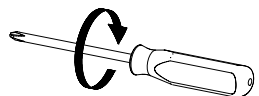
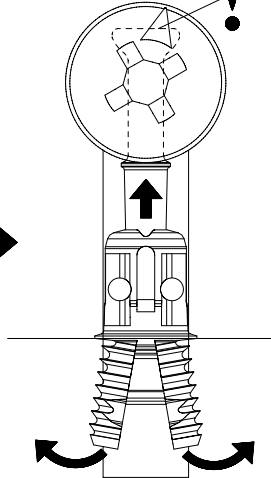

Scan Me

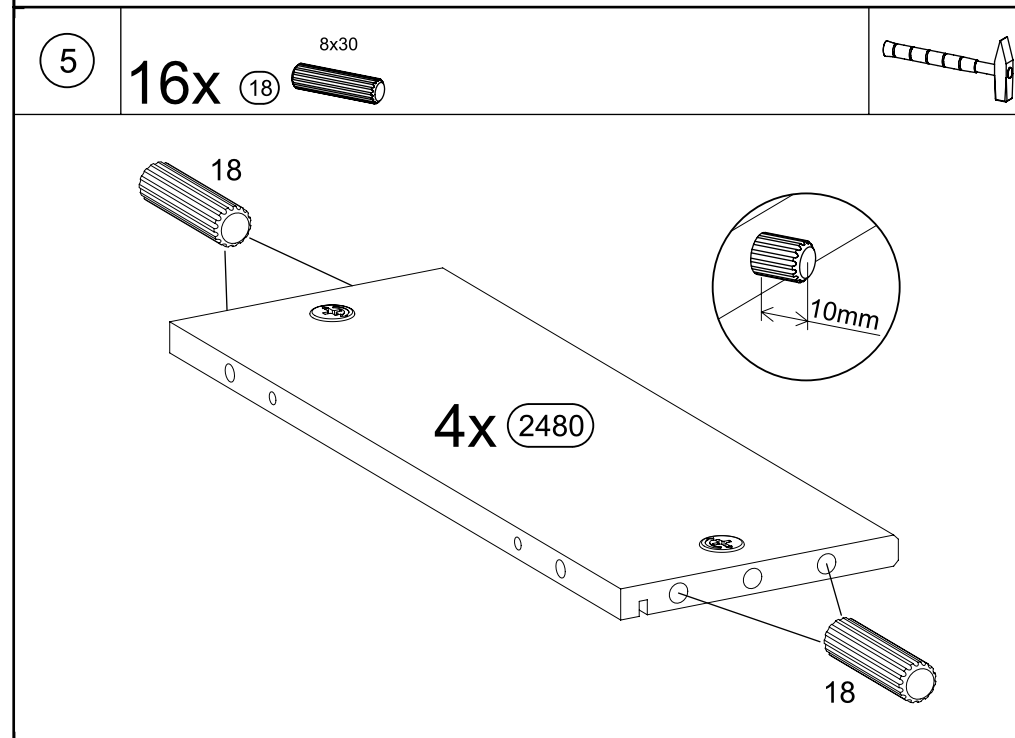
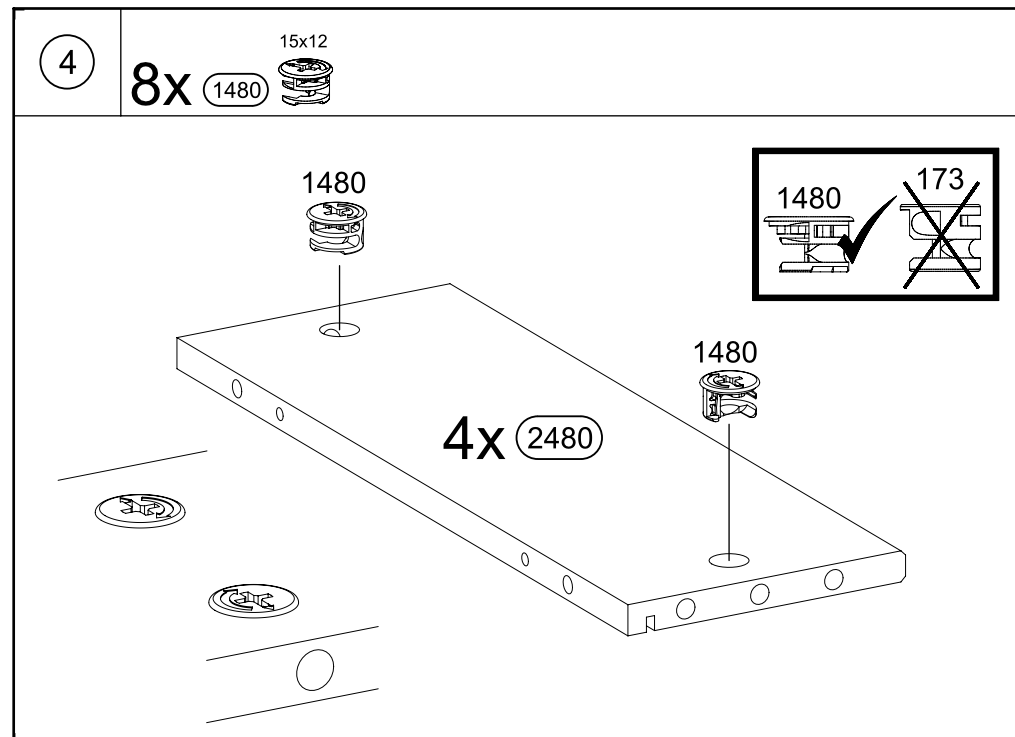
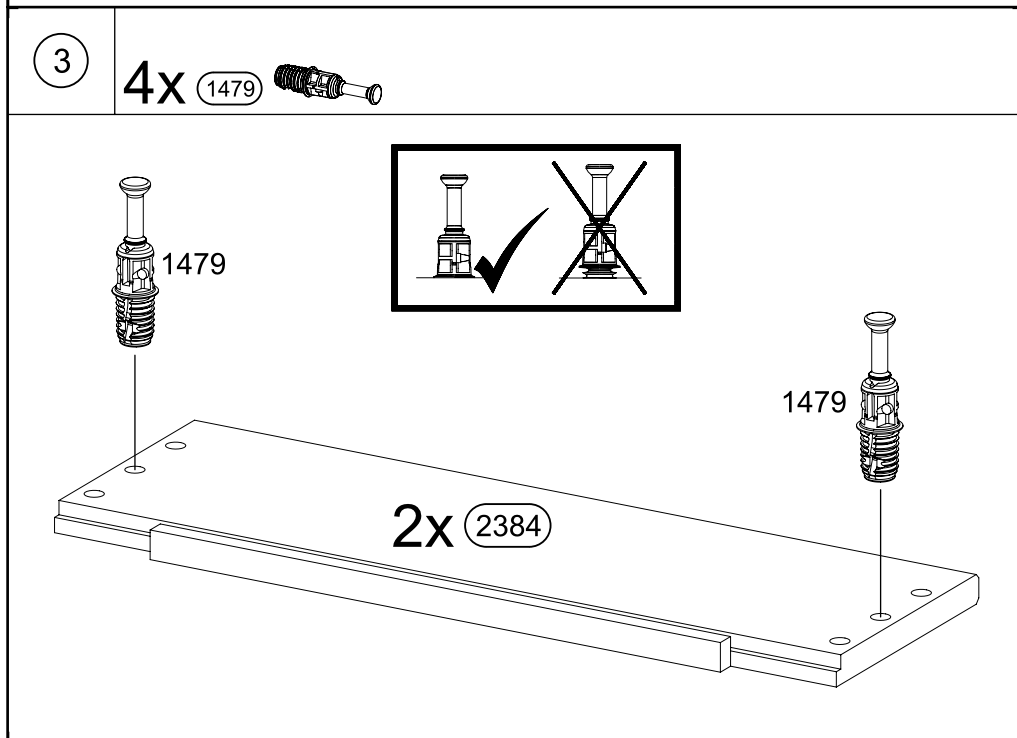
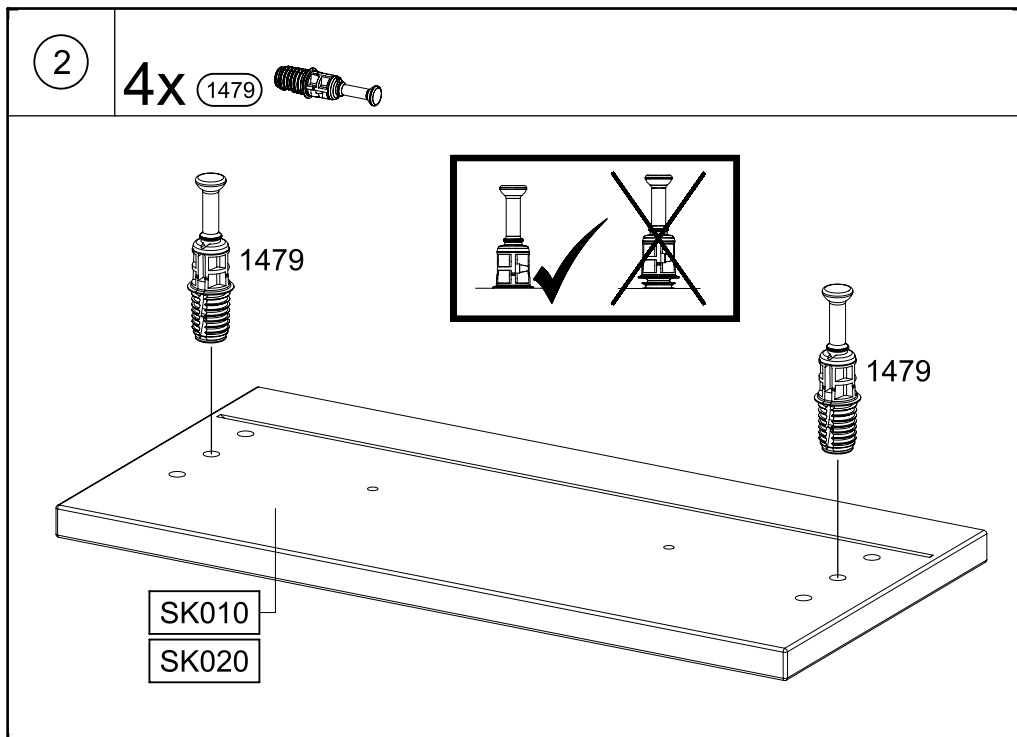
1.

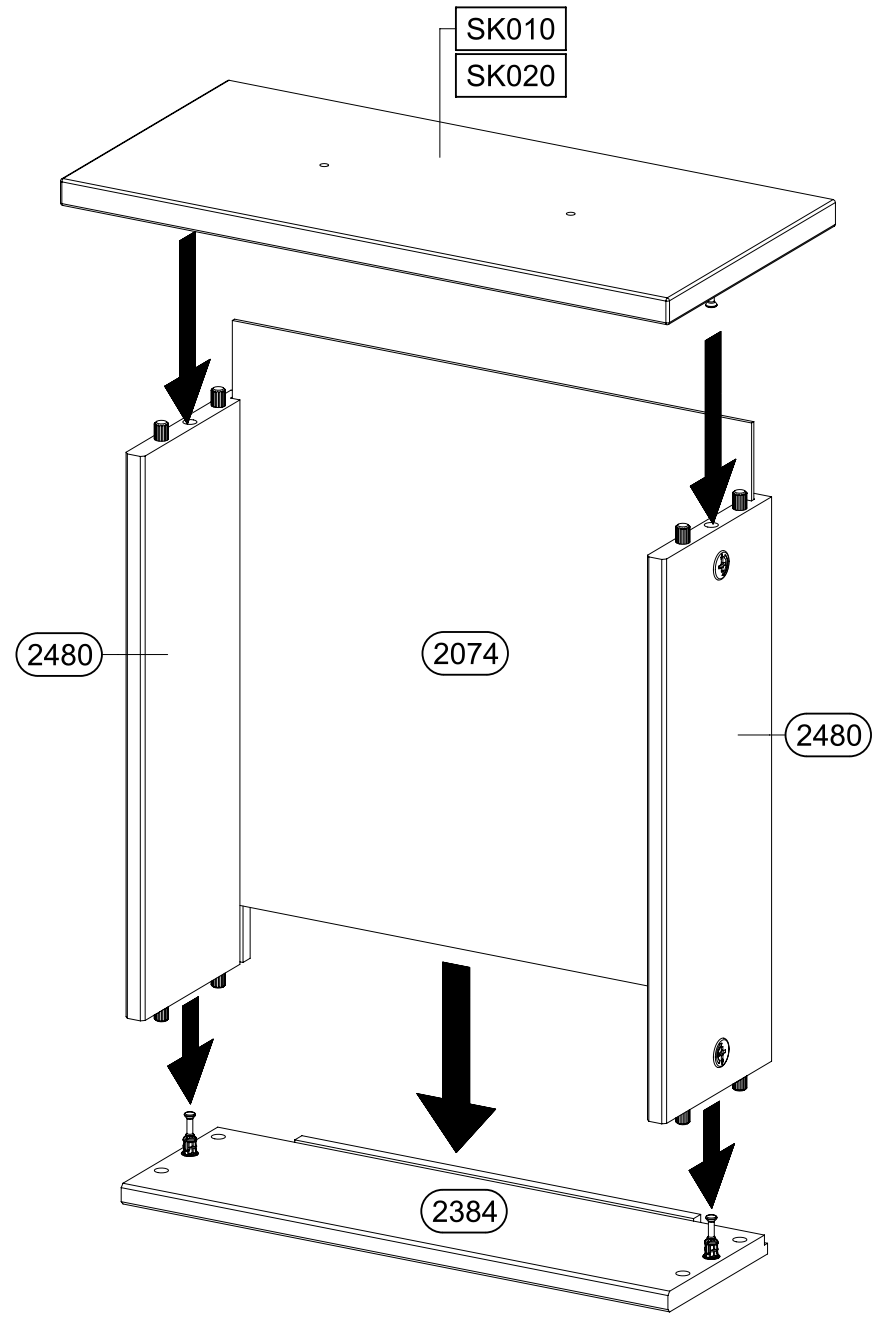
2.

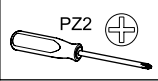


6

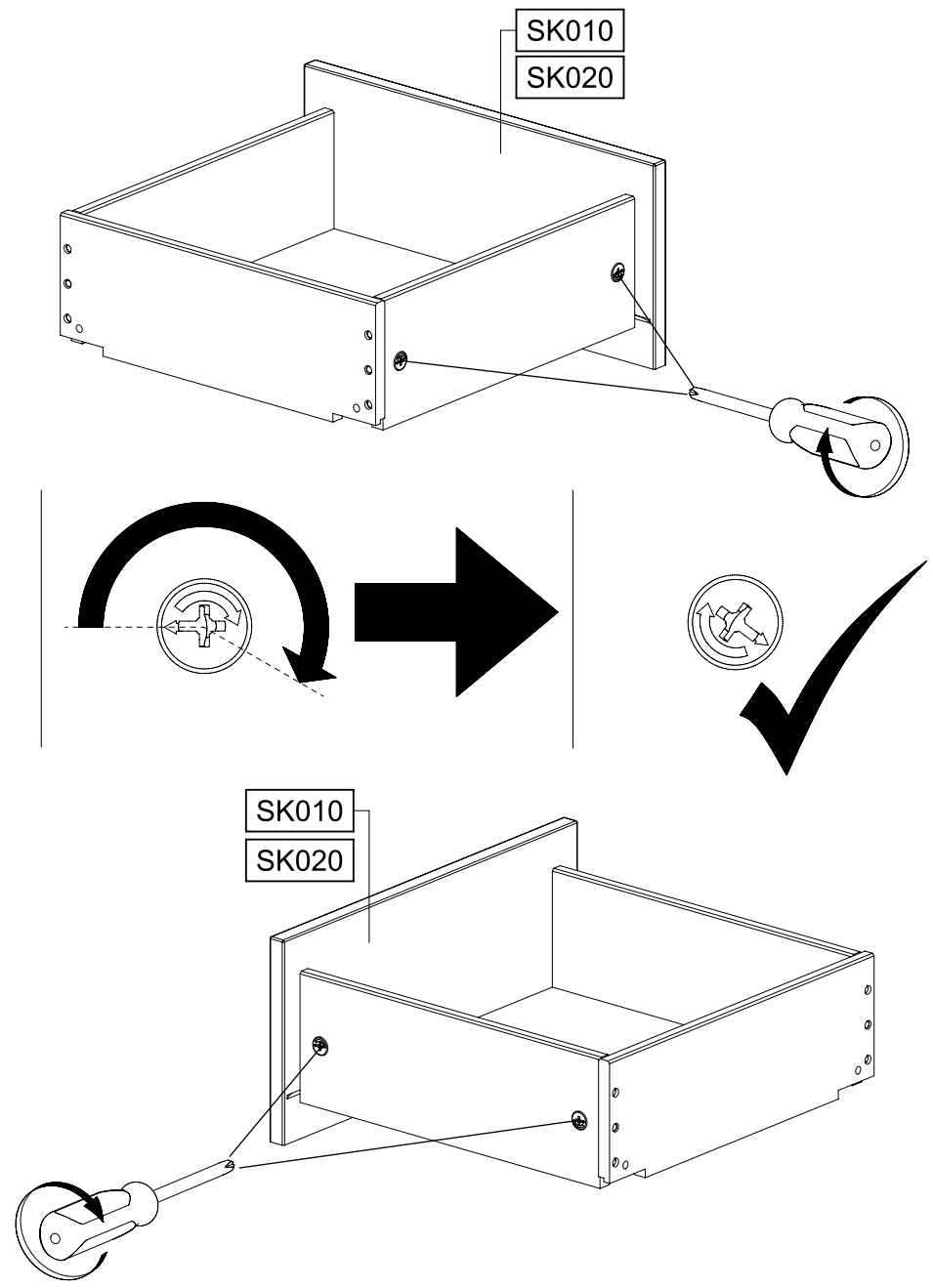
SK010
SK020



7



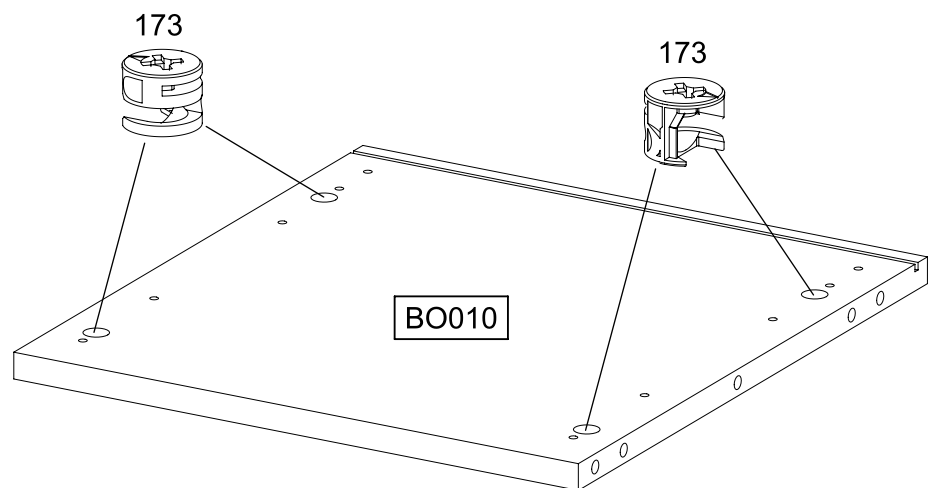
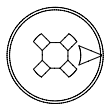
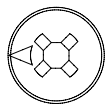
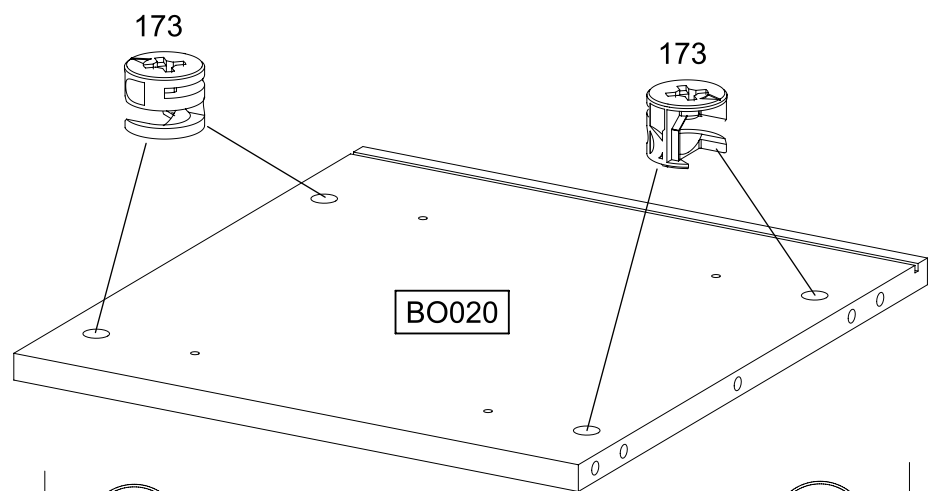
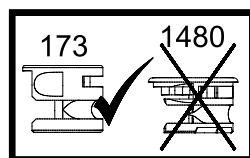
SK010
SK020



8

8x

173

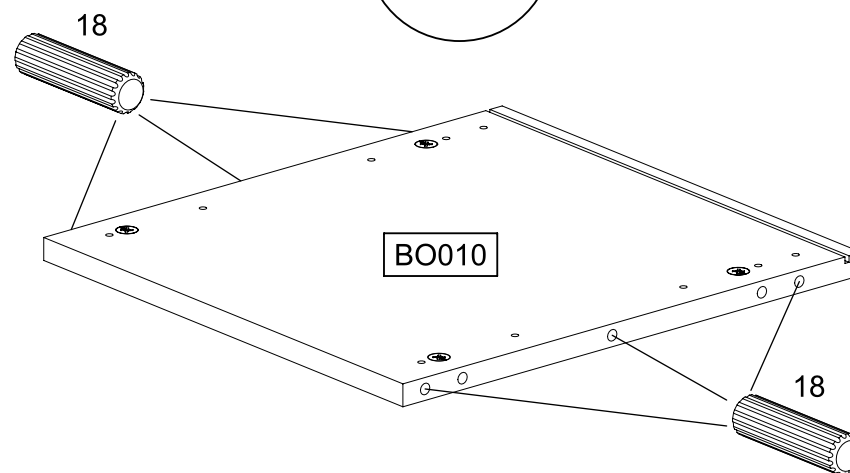
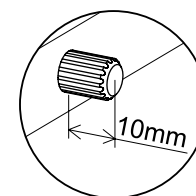
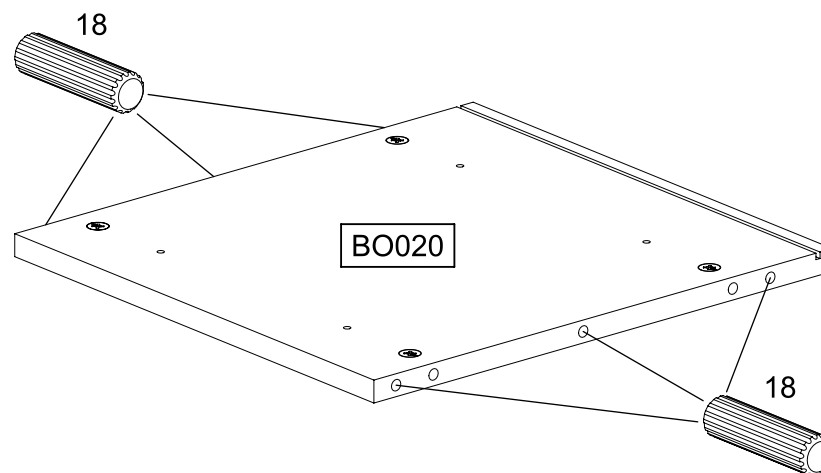
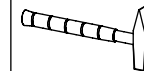


9


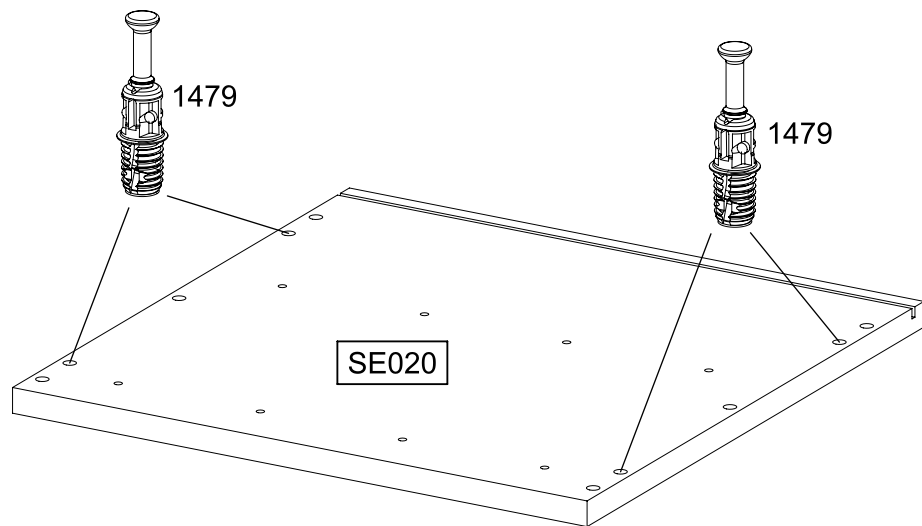
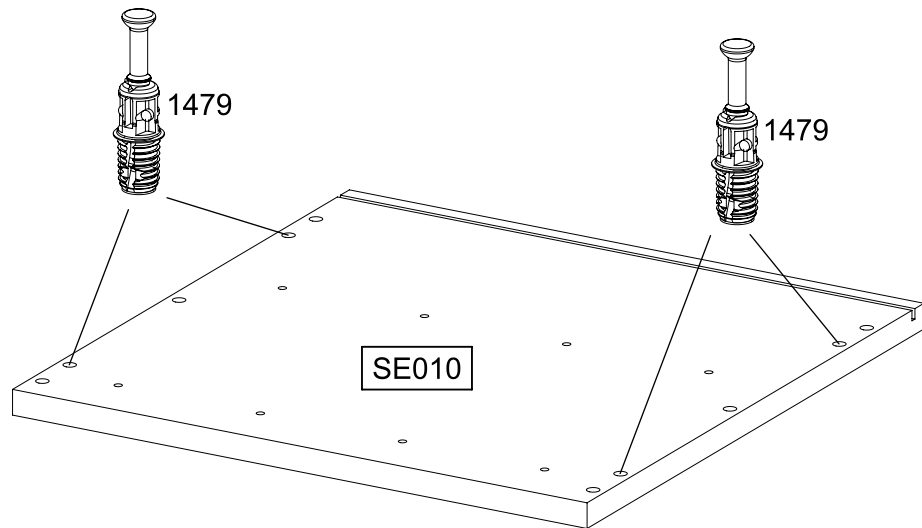
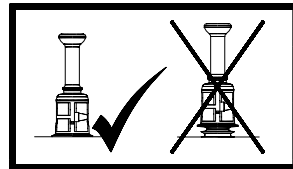
12x

18

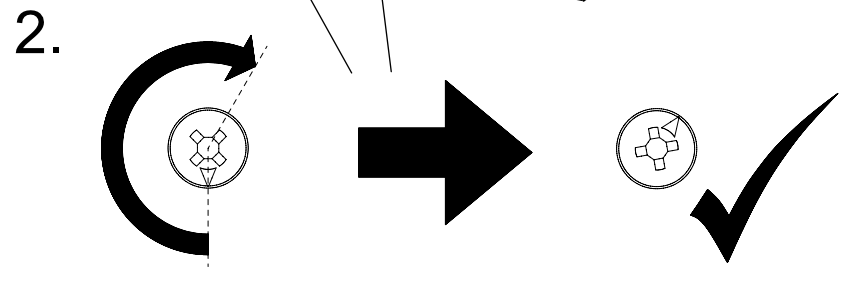
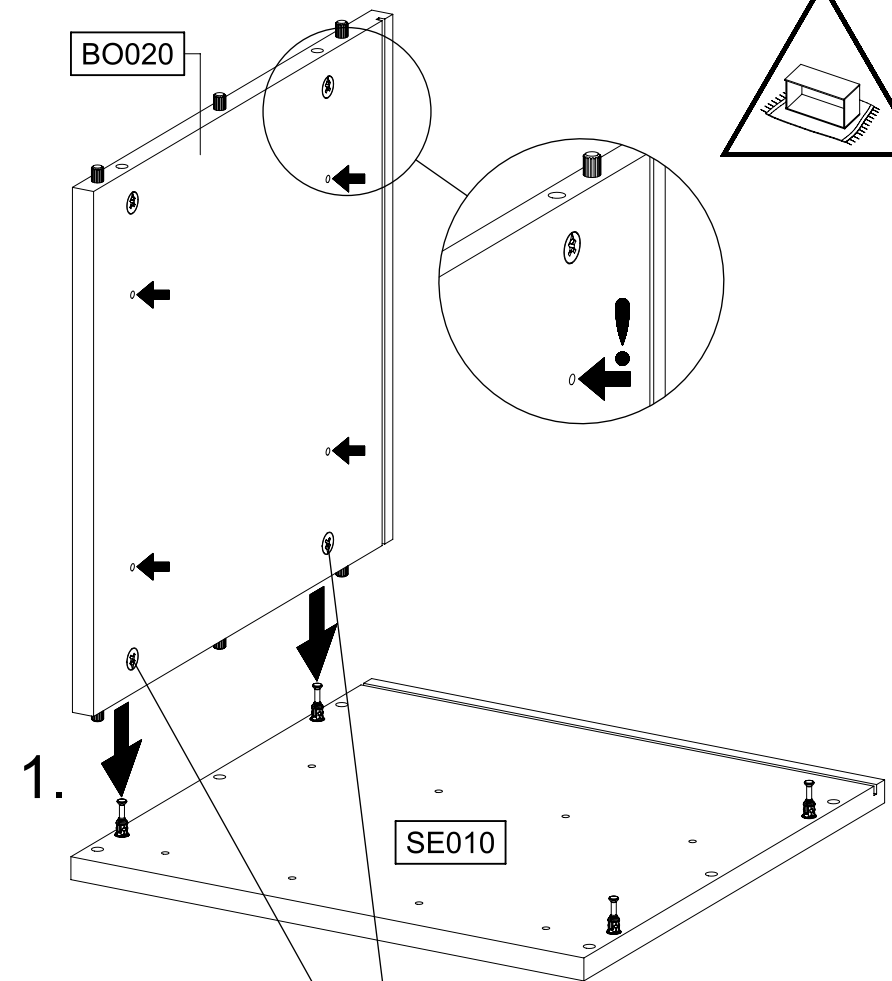
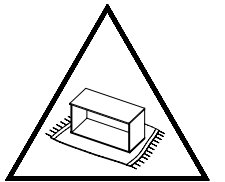
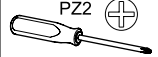
8x30



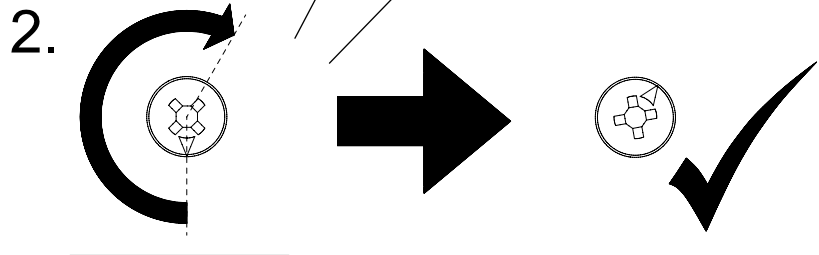
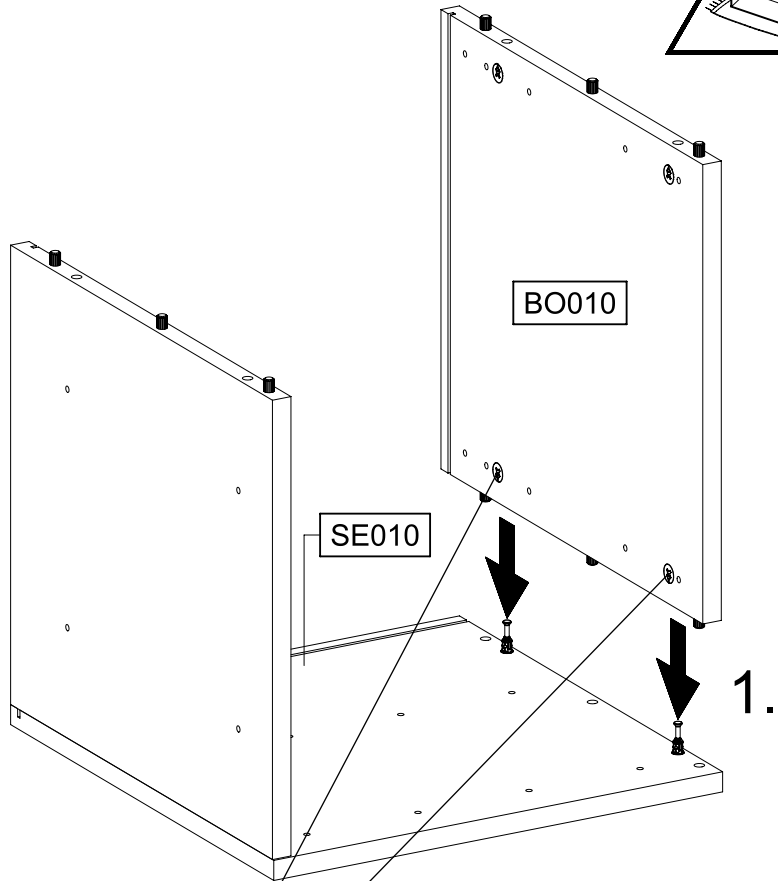
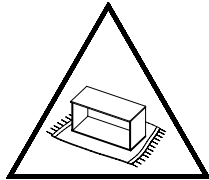
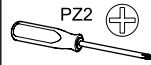
10

8x  1479

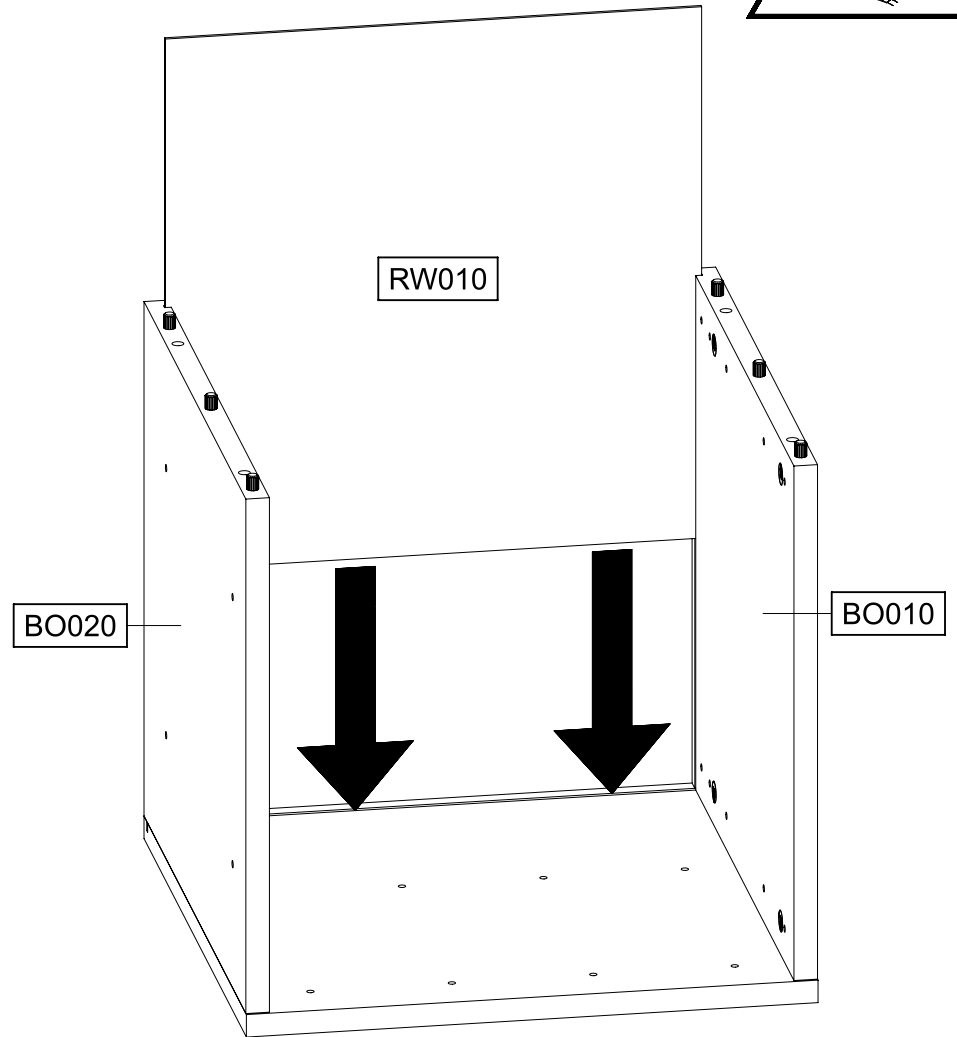
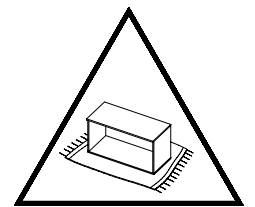
11

PZ2 

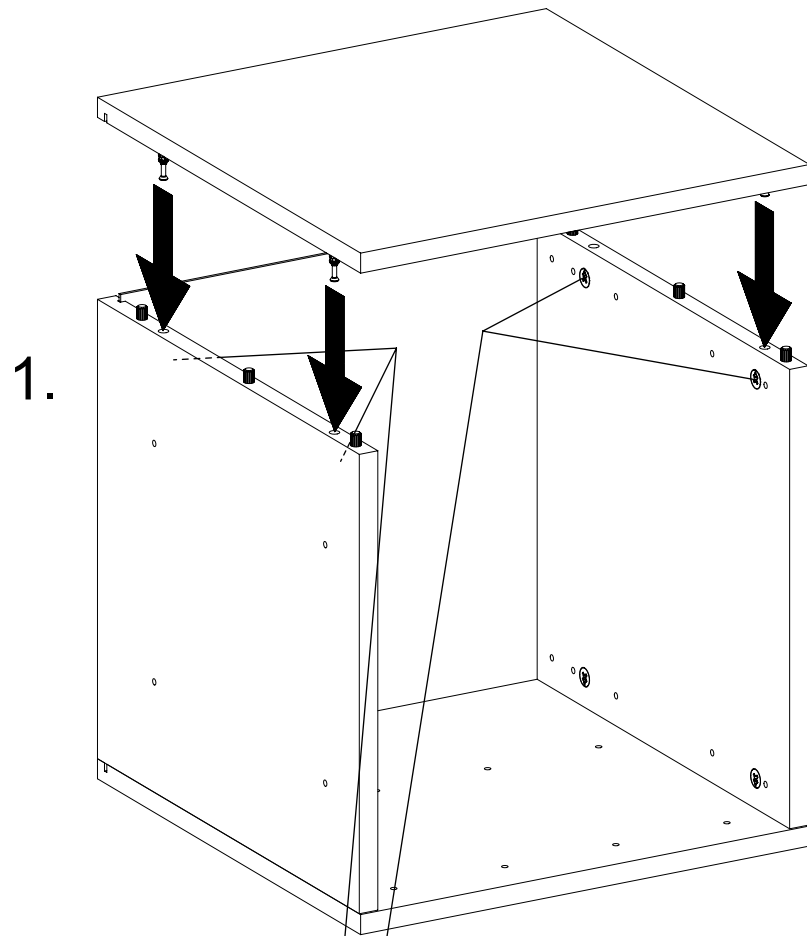
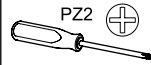
12



13

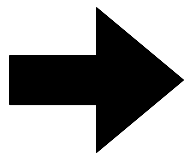
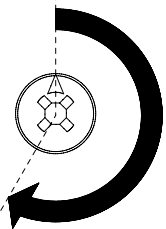


14



1.

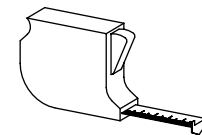
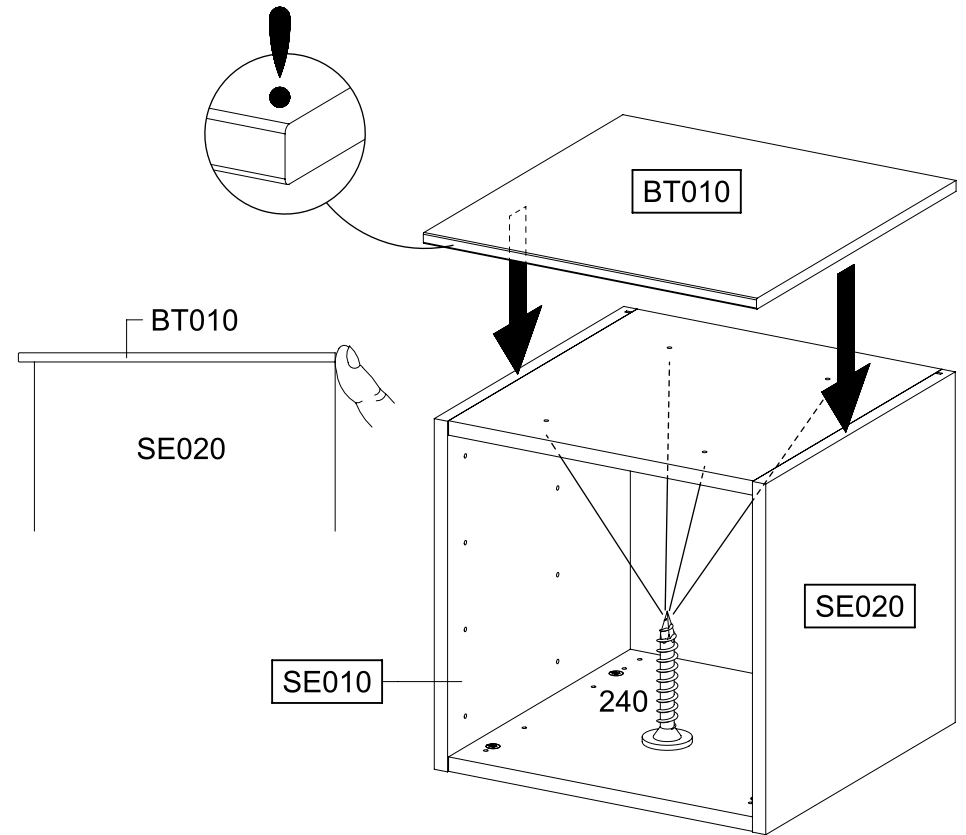
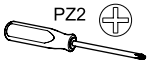
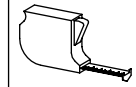
2.



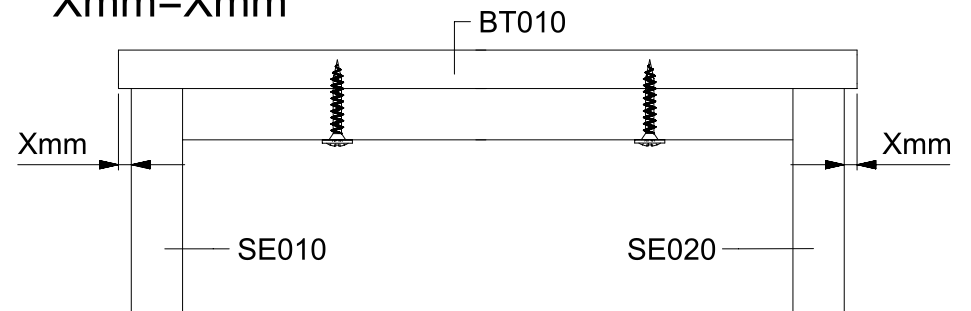
15

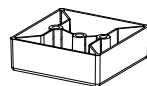
4x

240

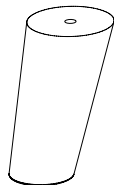


Xmm=Xmm

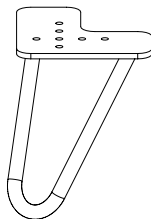




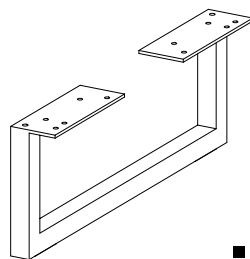
1207



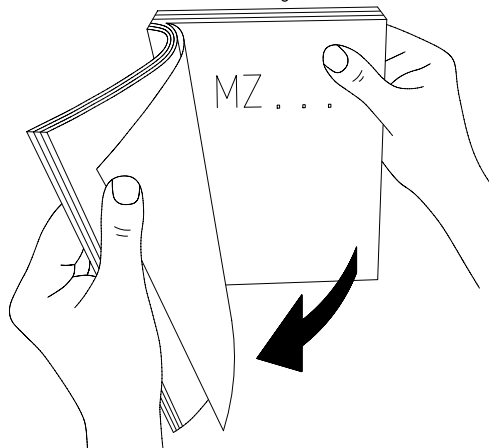
1481



1345



1348

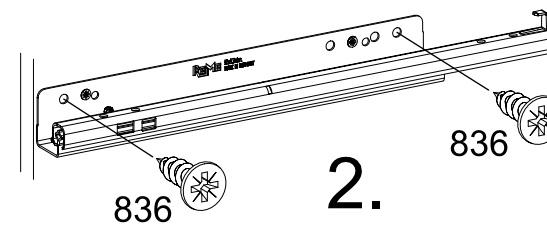
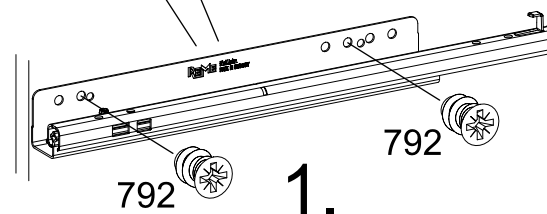
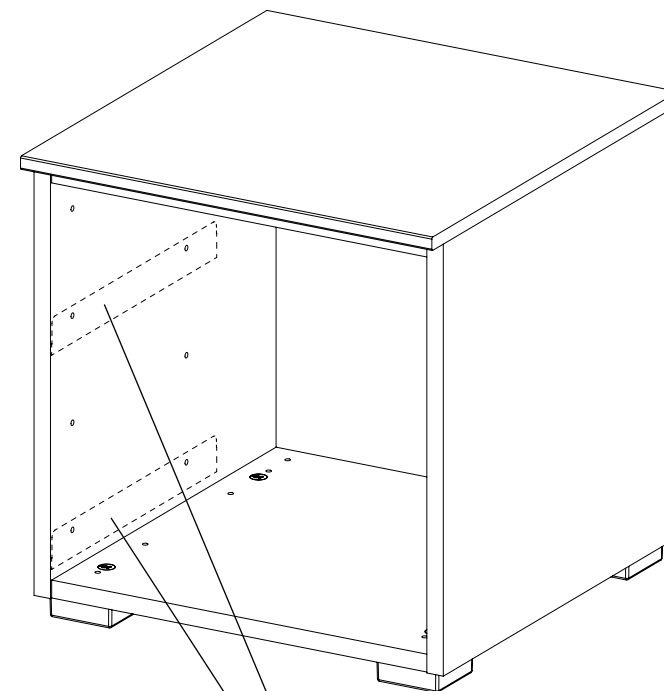
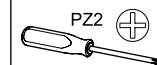
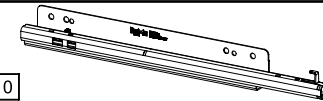


16

4x 792 6,3x9

4x 836 4x15

2x UF010

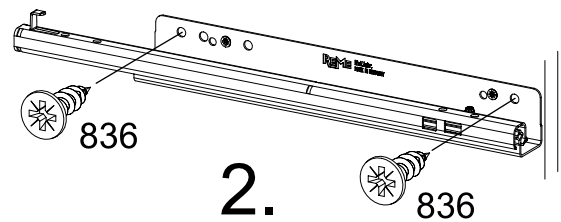
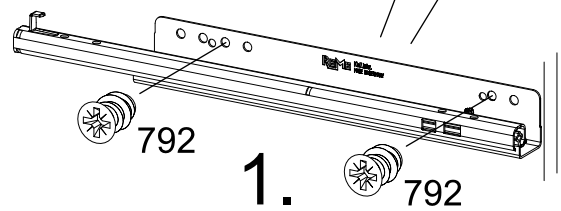
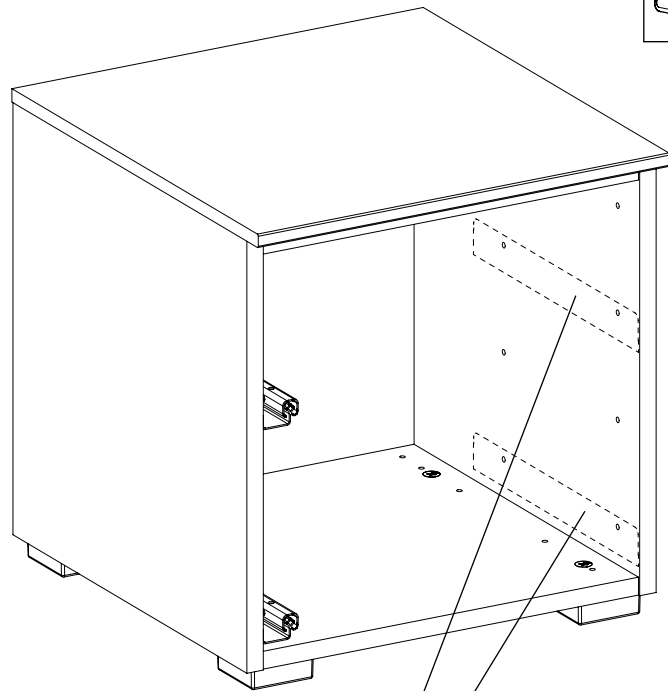
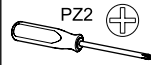
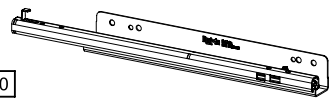


17

4x 792 ^{6,3x9}

4x 836 ^{4x15}

2x UF020

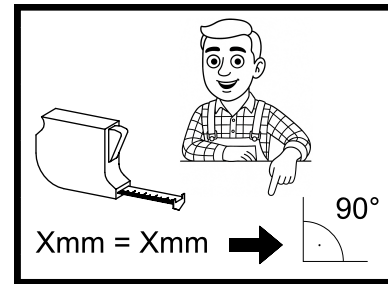
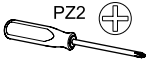


1.

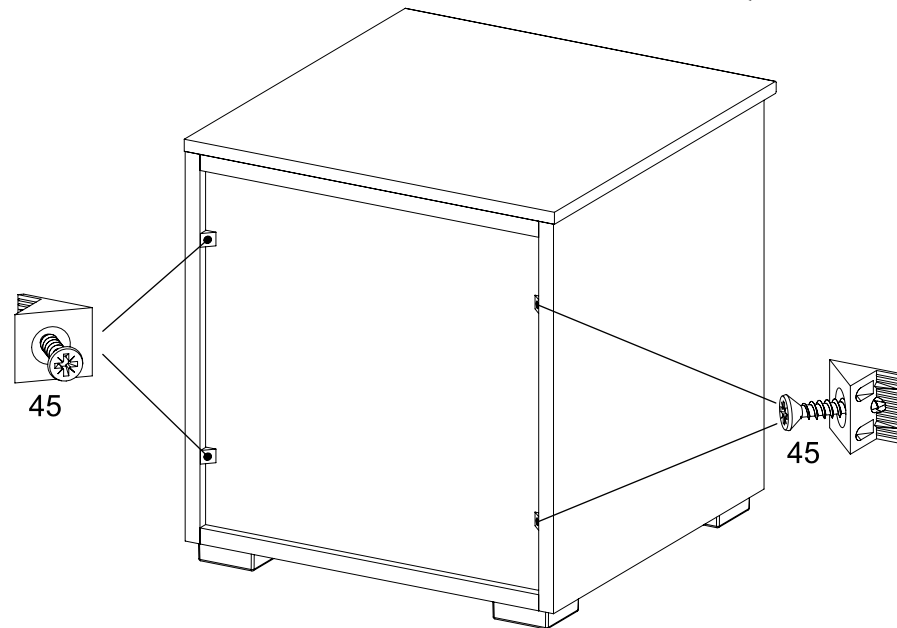
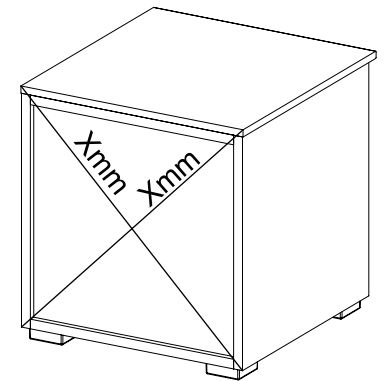
2.

18

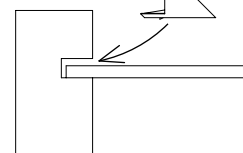
4x 45



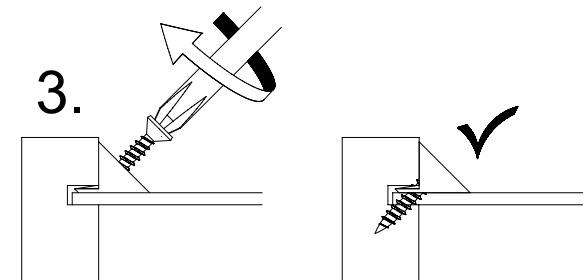
1.




2.

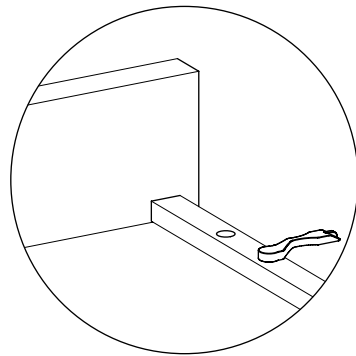
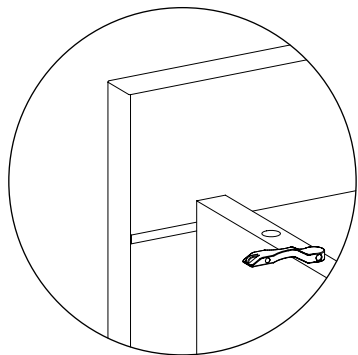
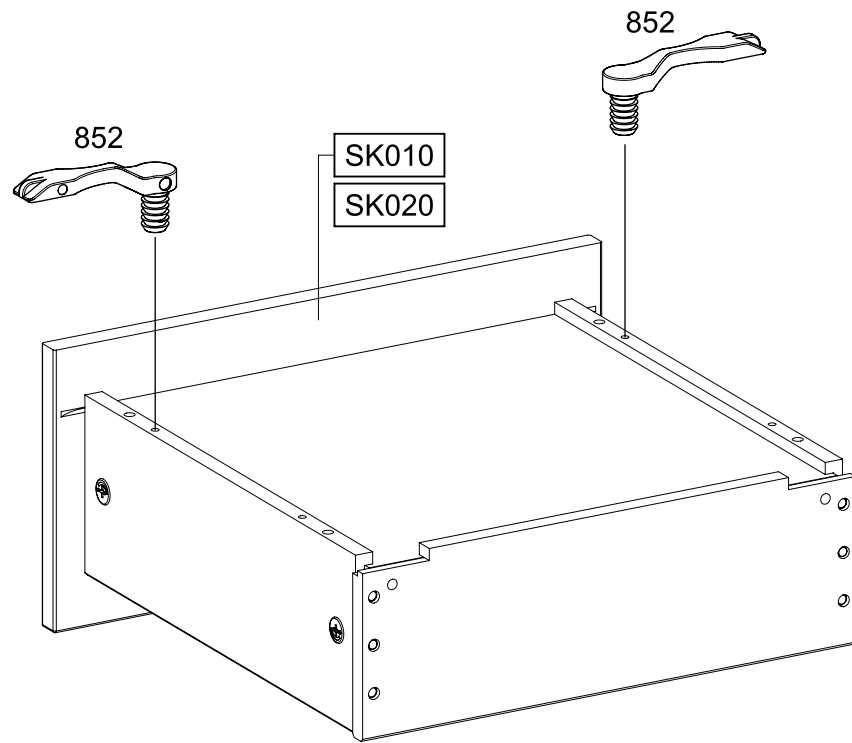


3.

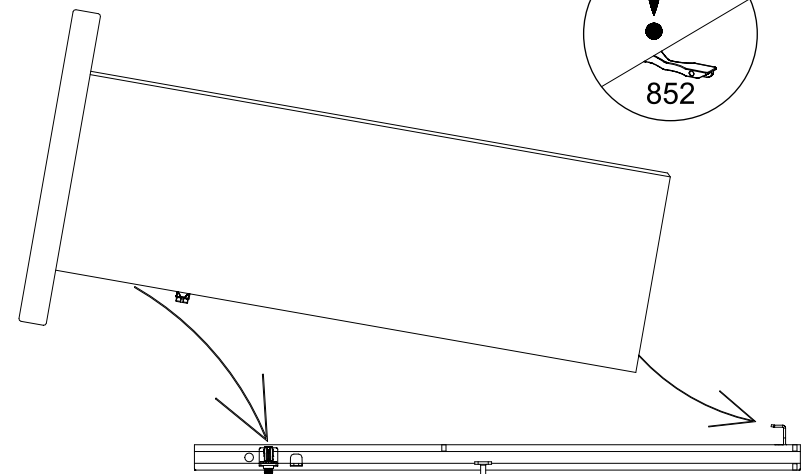
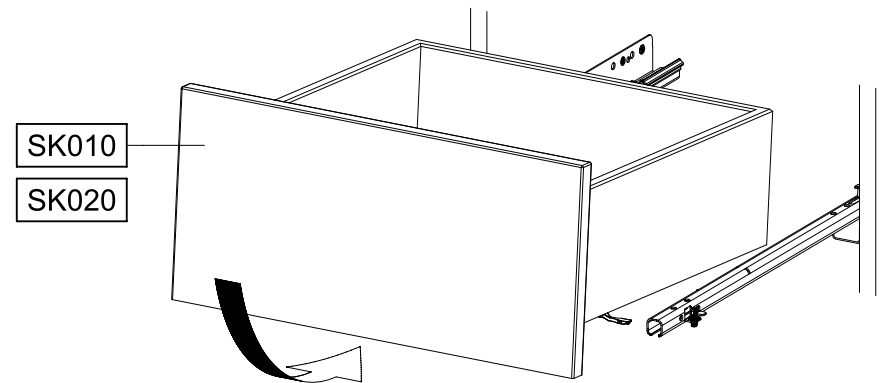
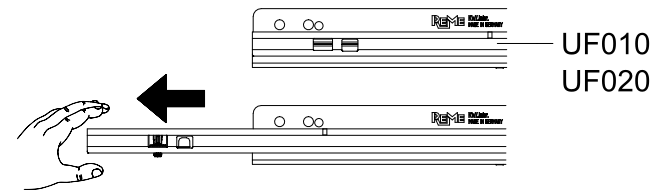


19

4x 852 



20



21



SCAN ME

