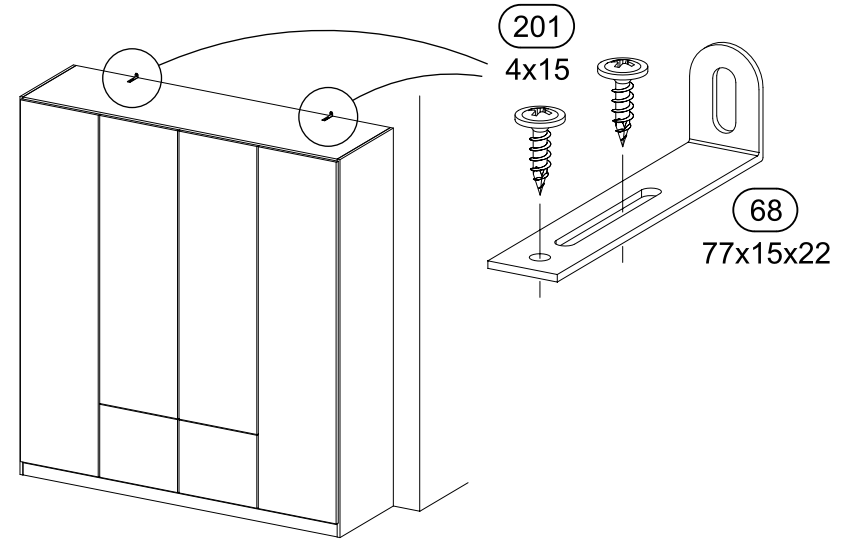
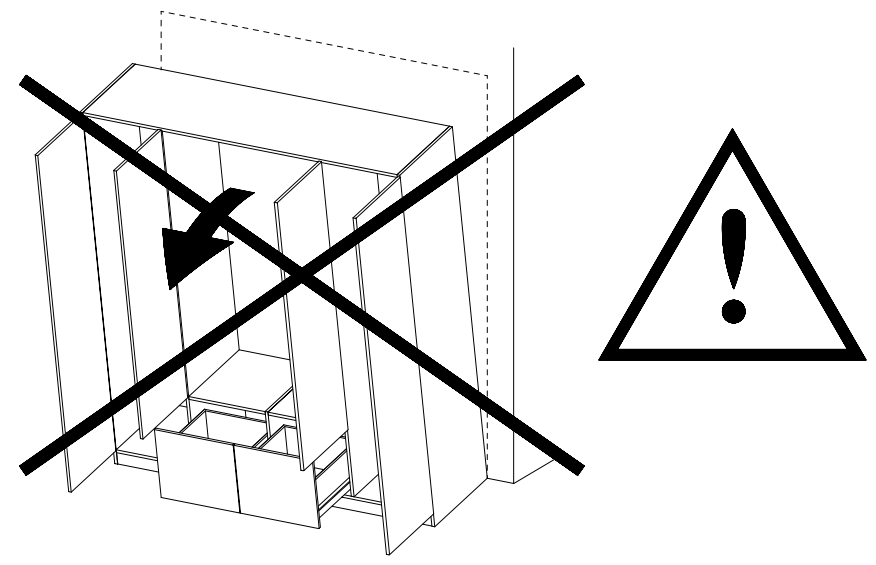
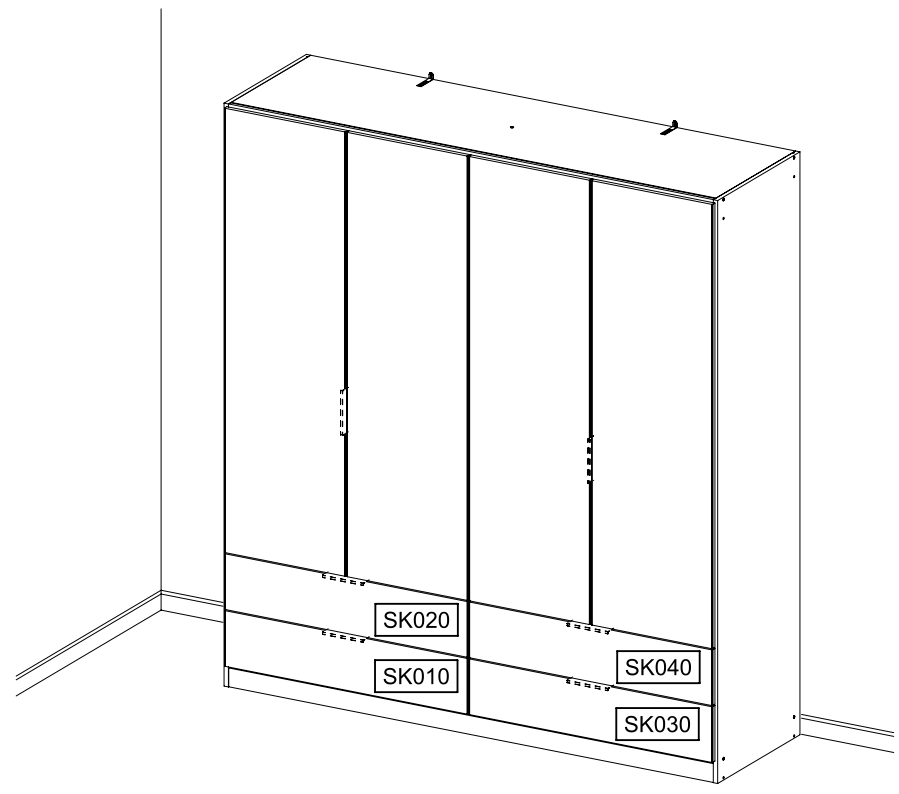
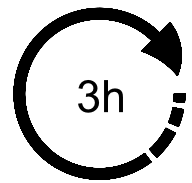
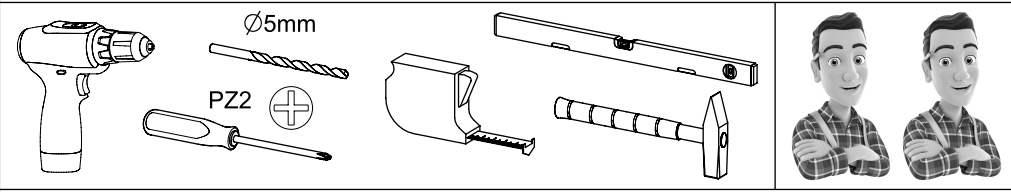
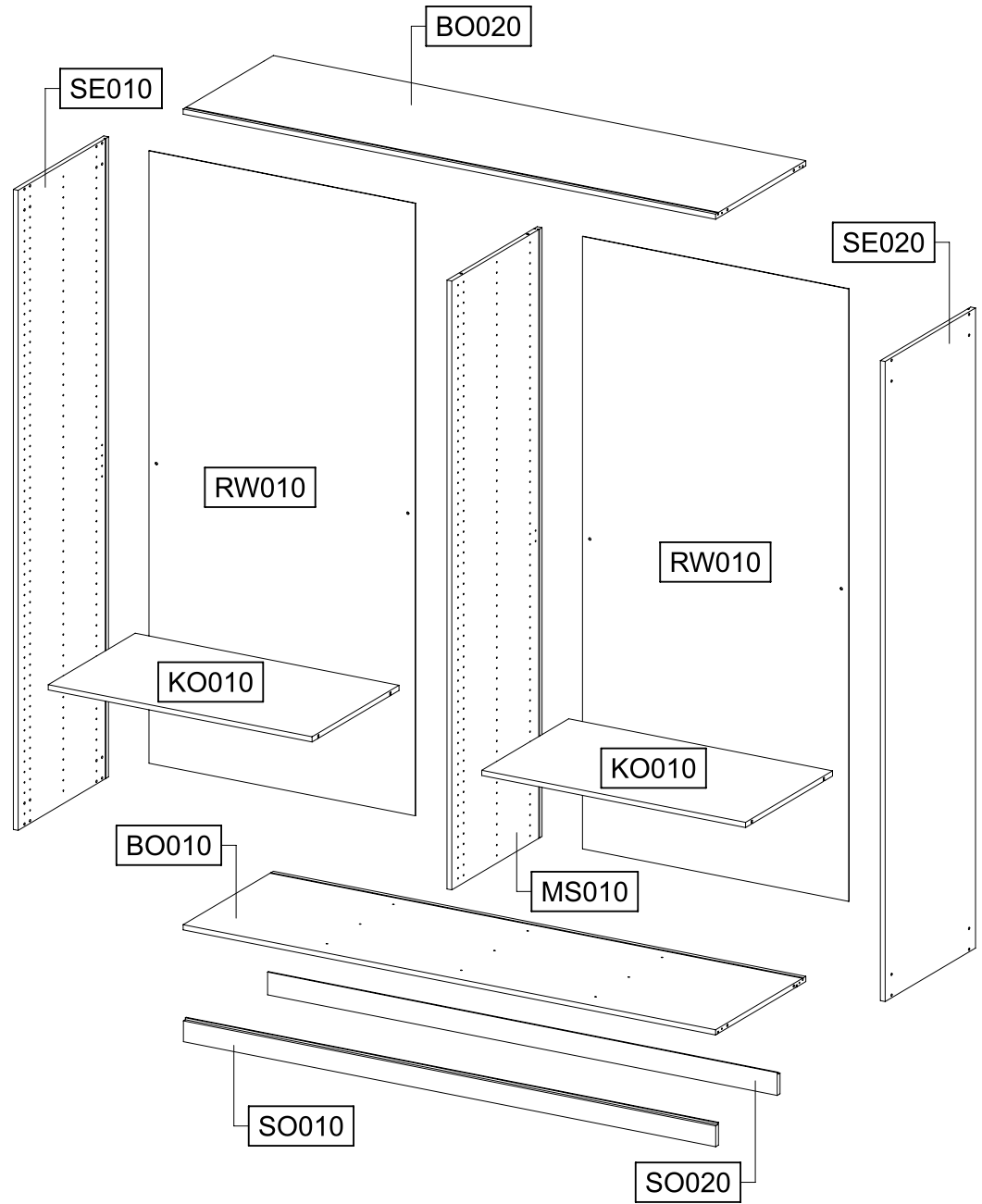
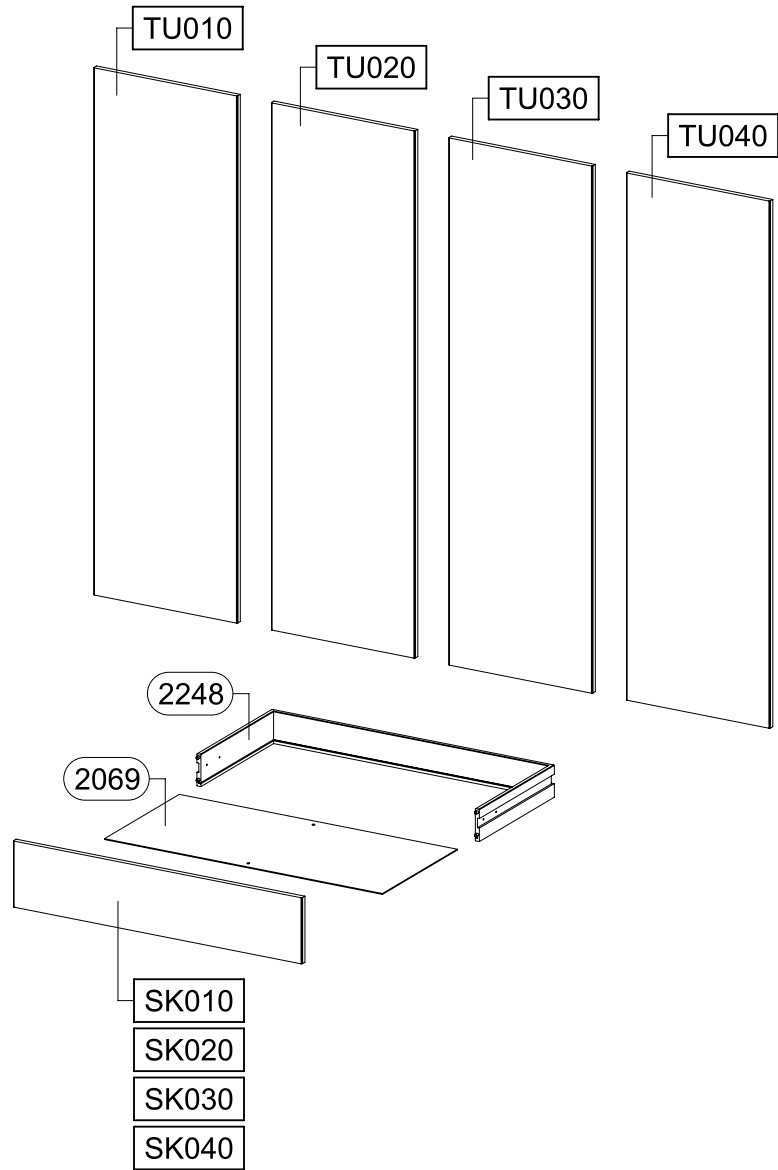
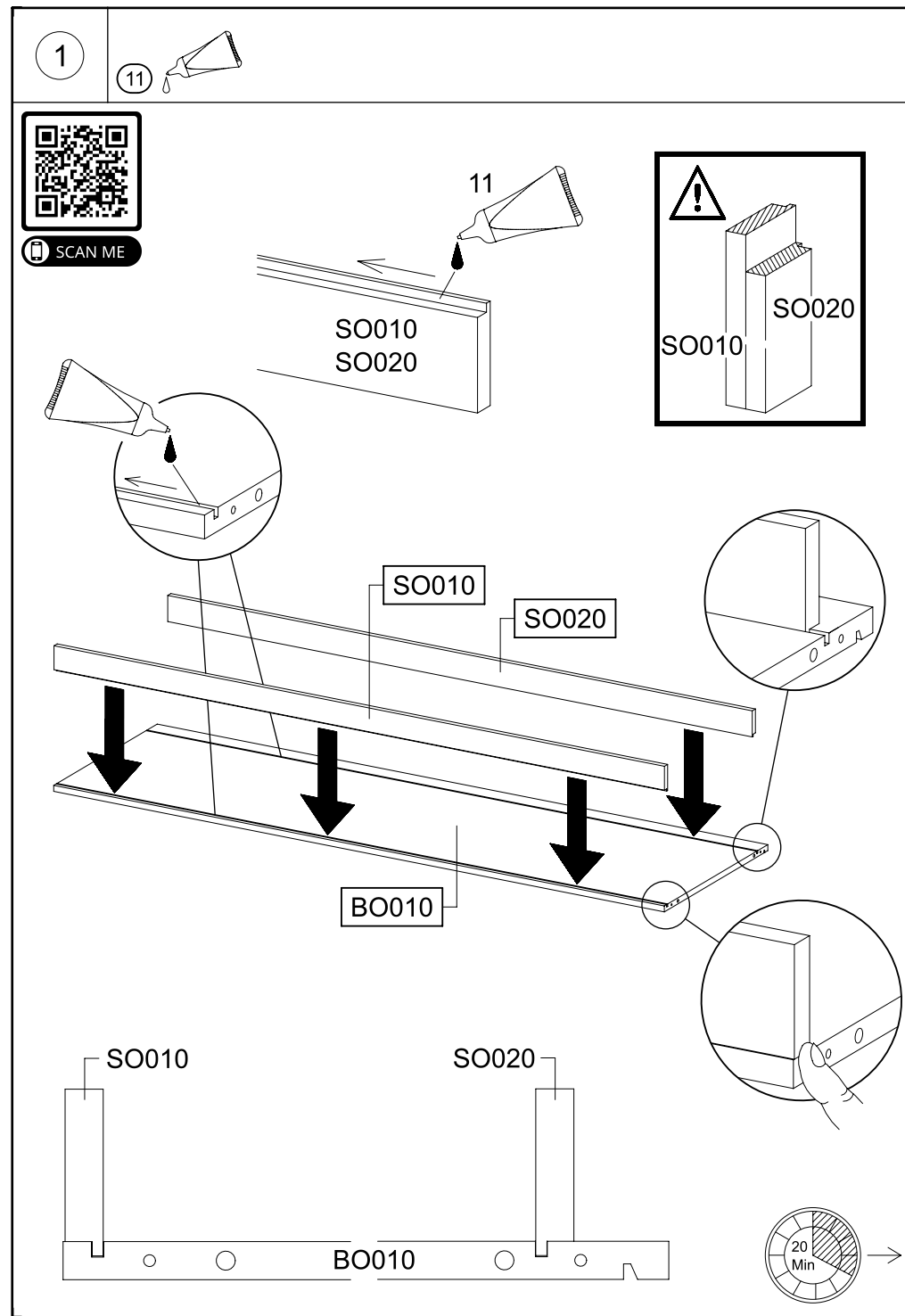
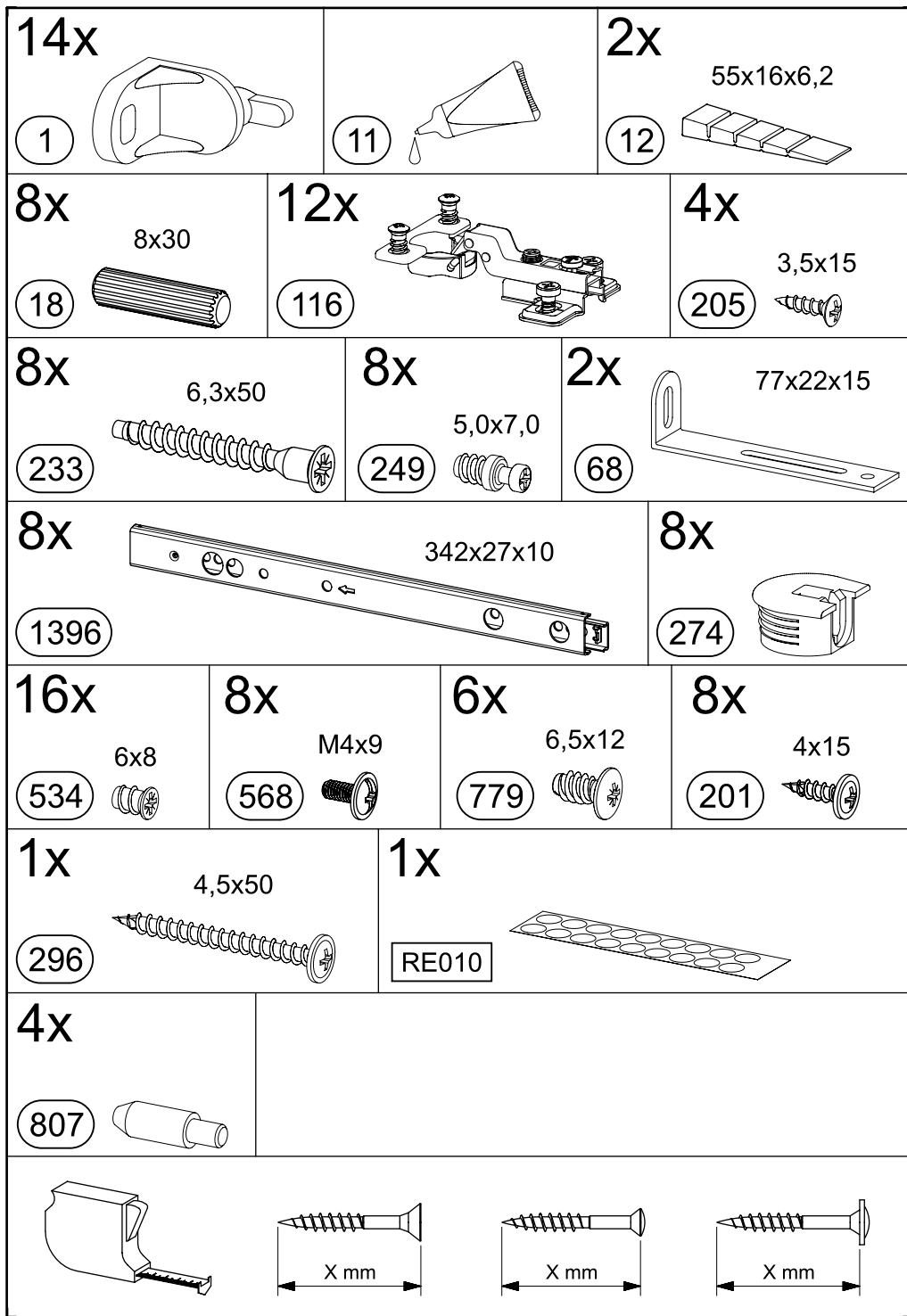
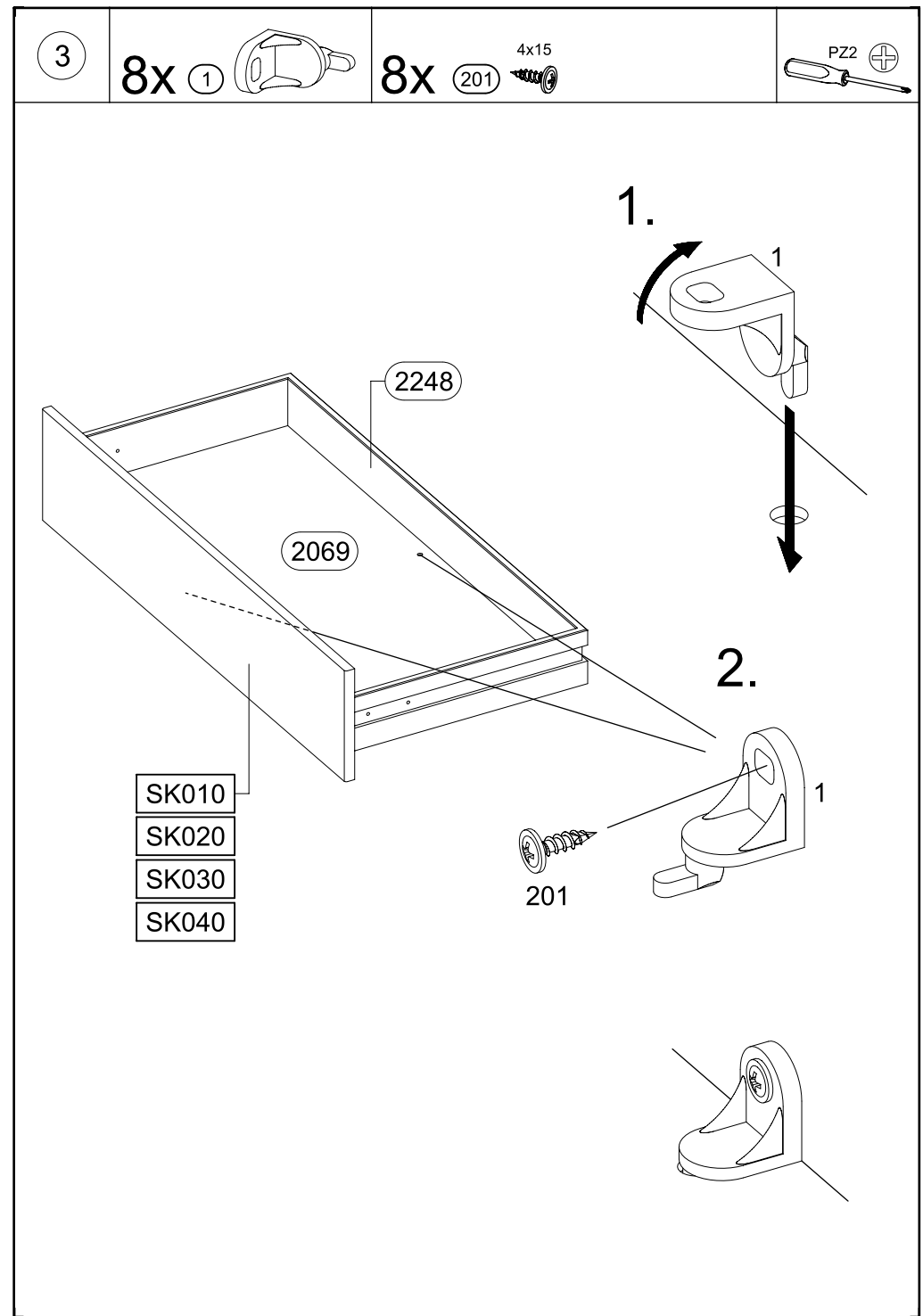
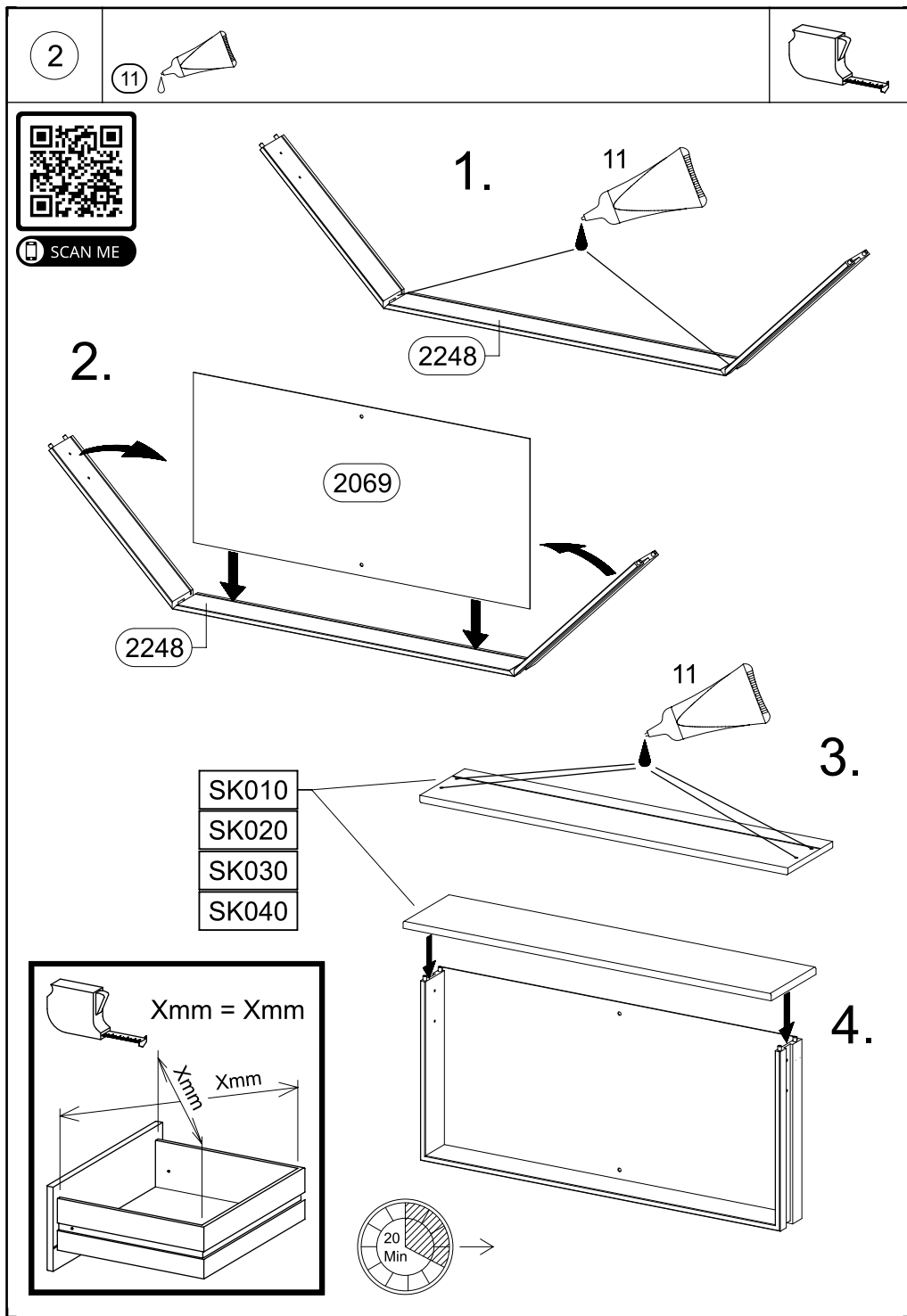


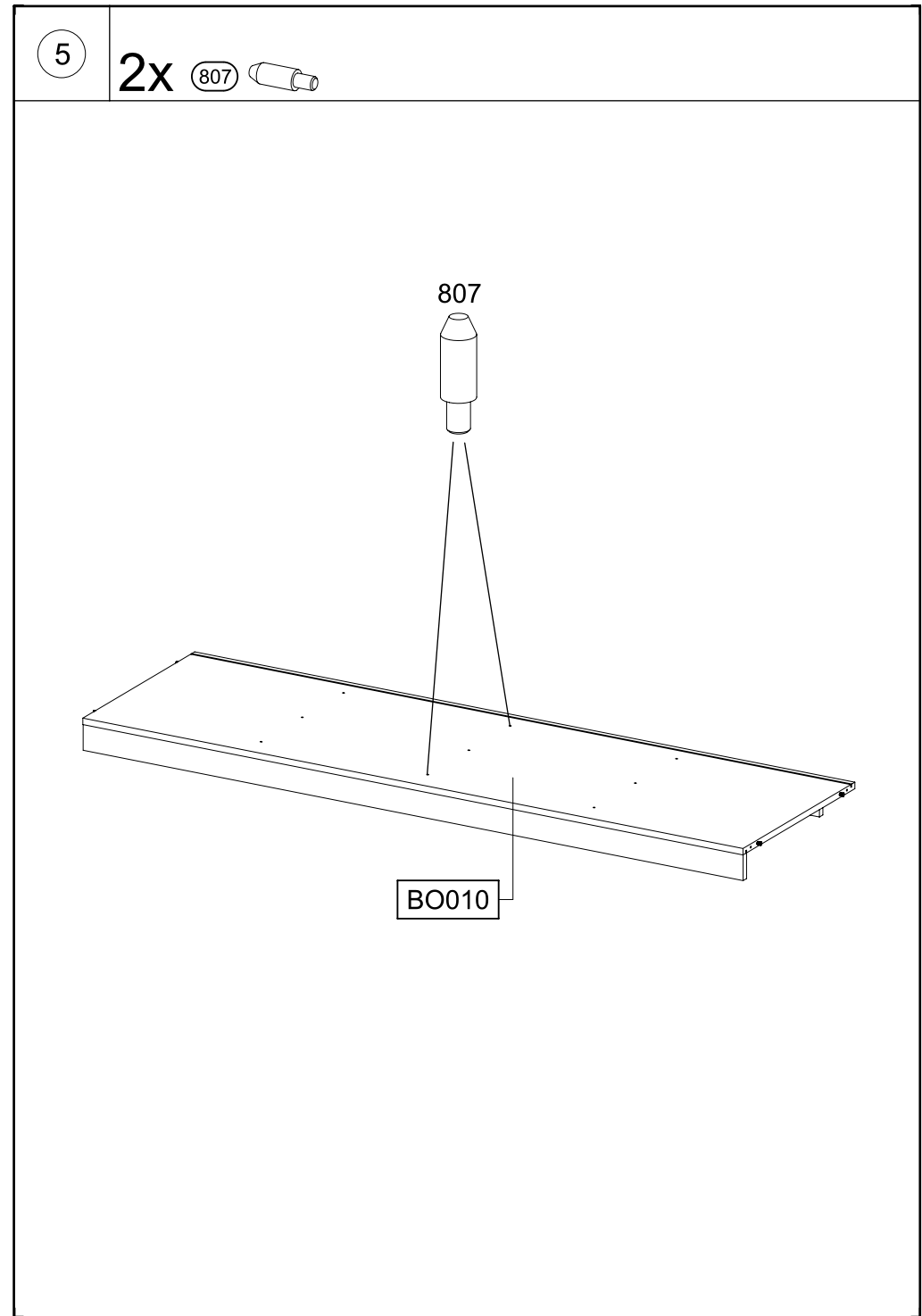
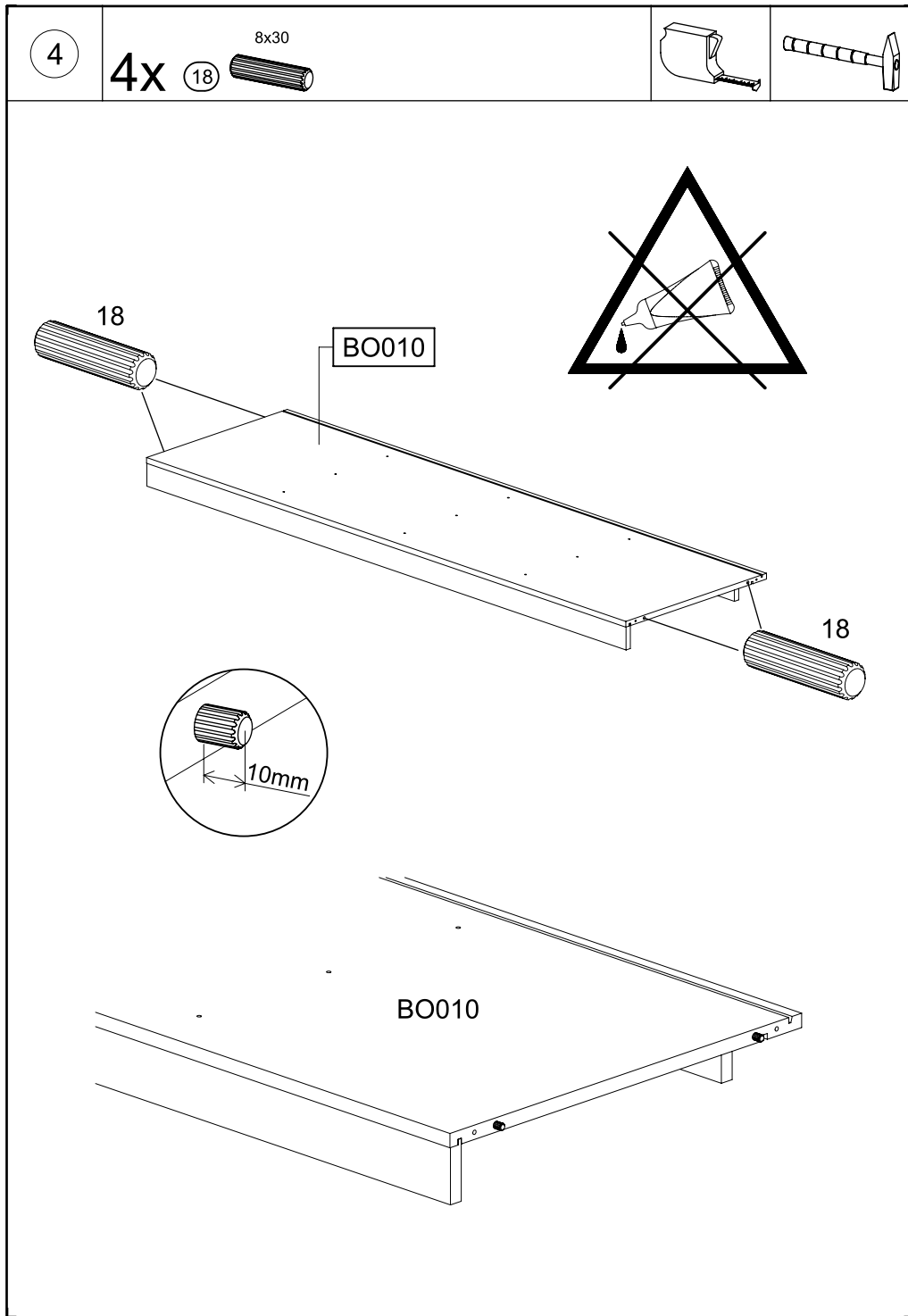
M3090_01

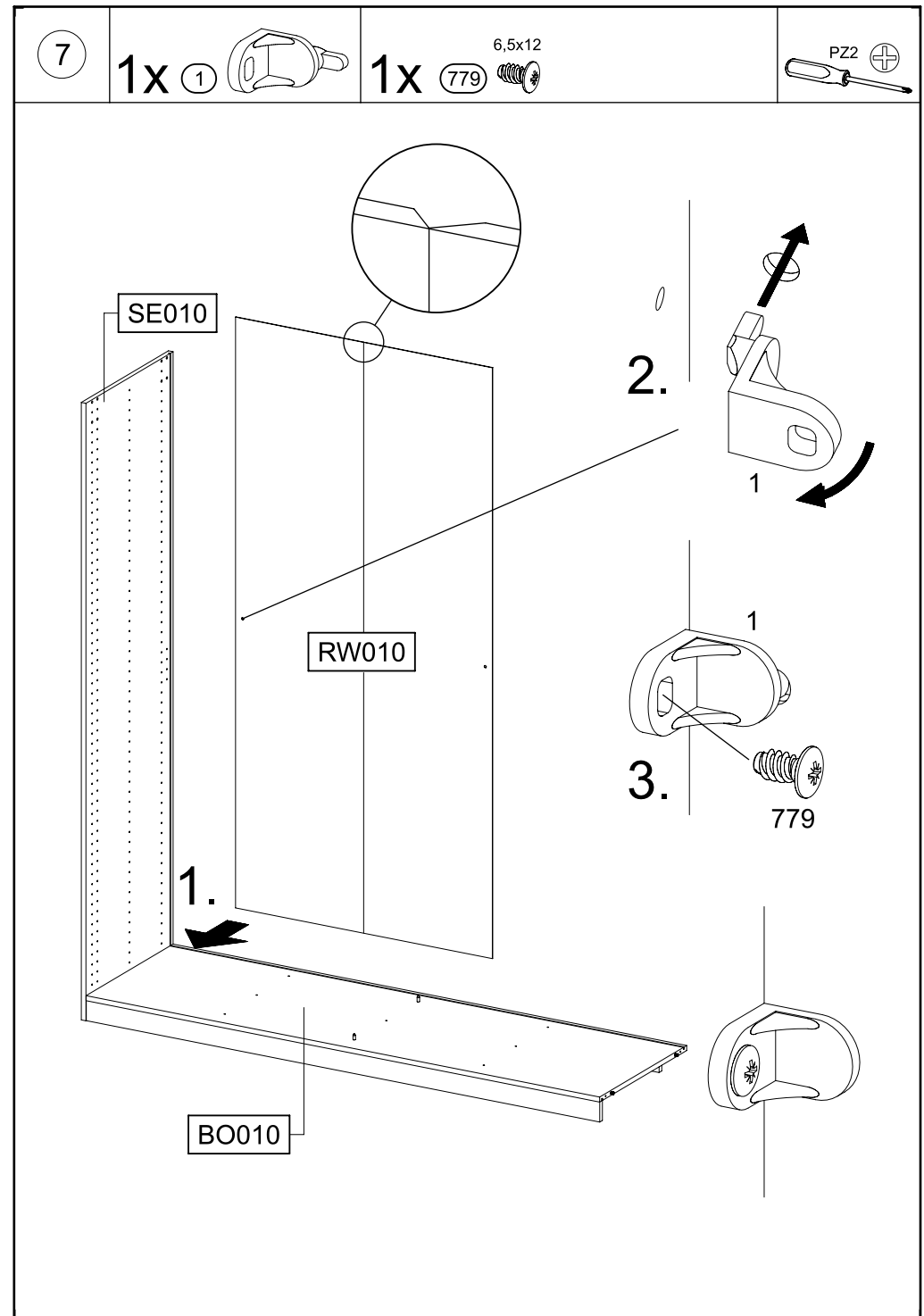
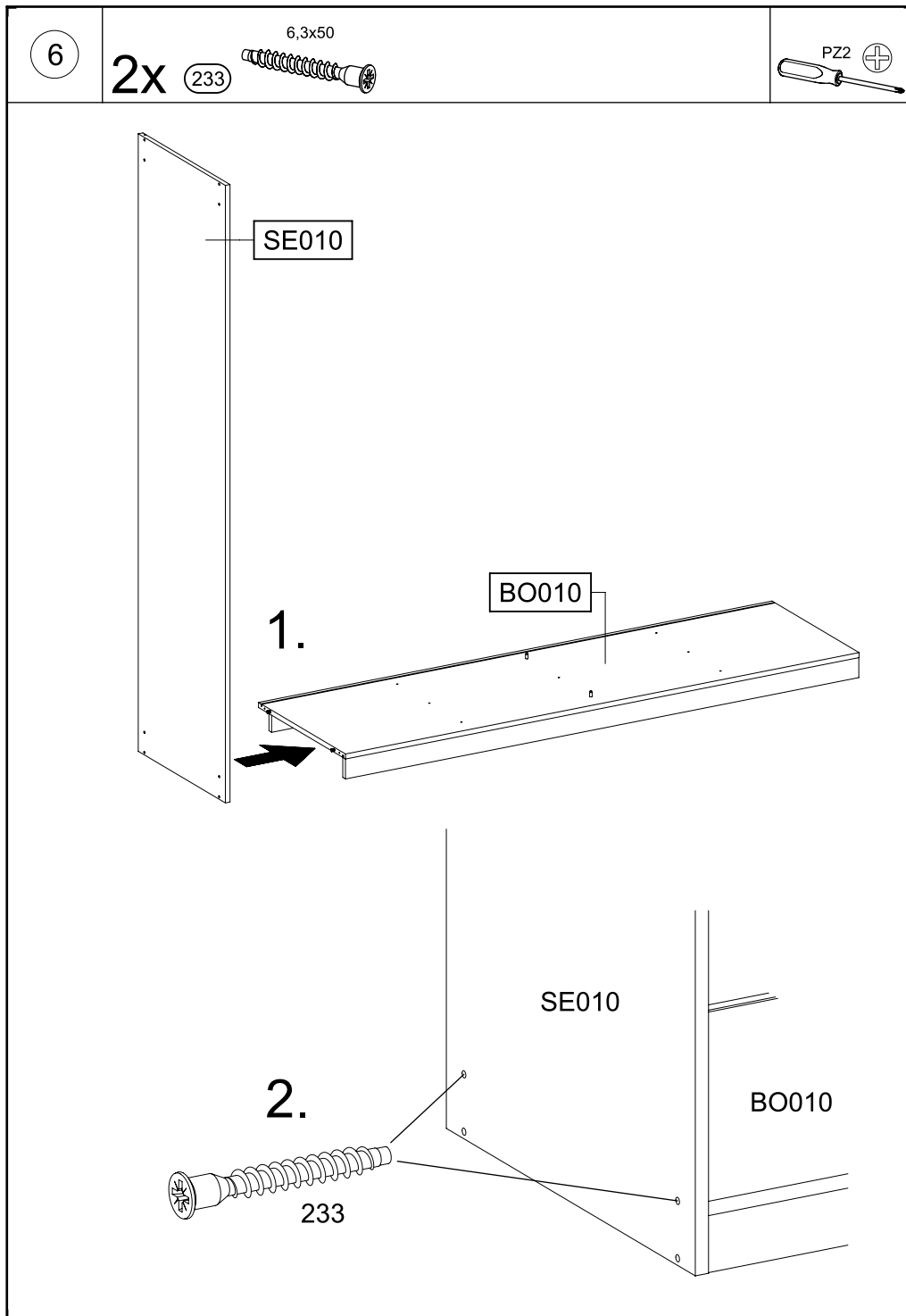


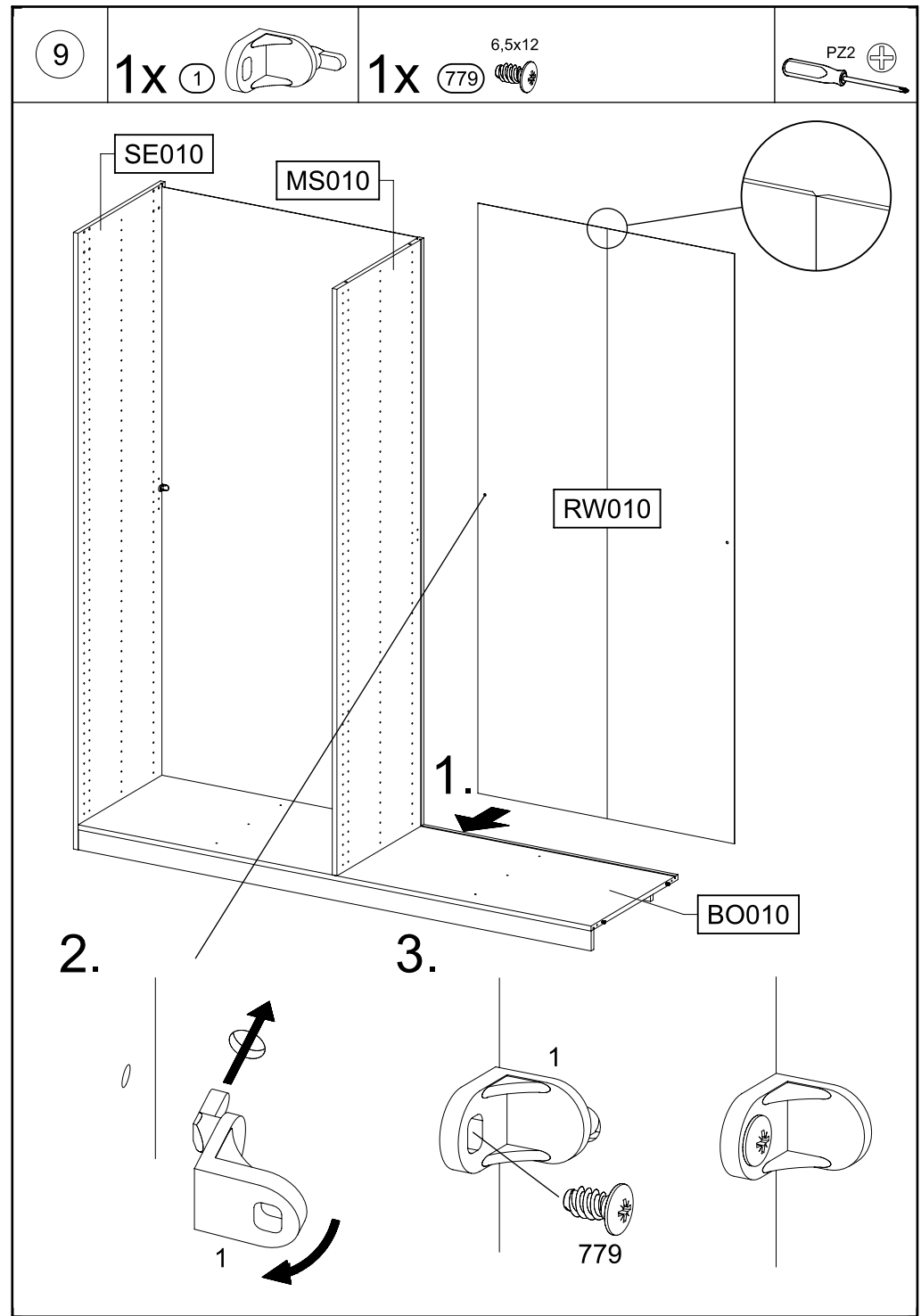
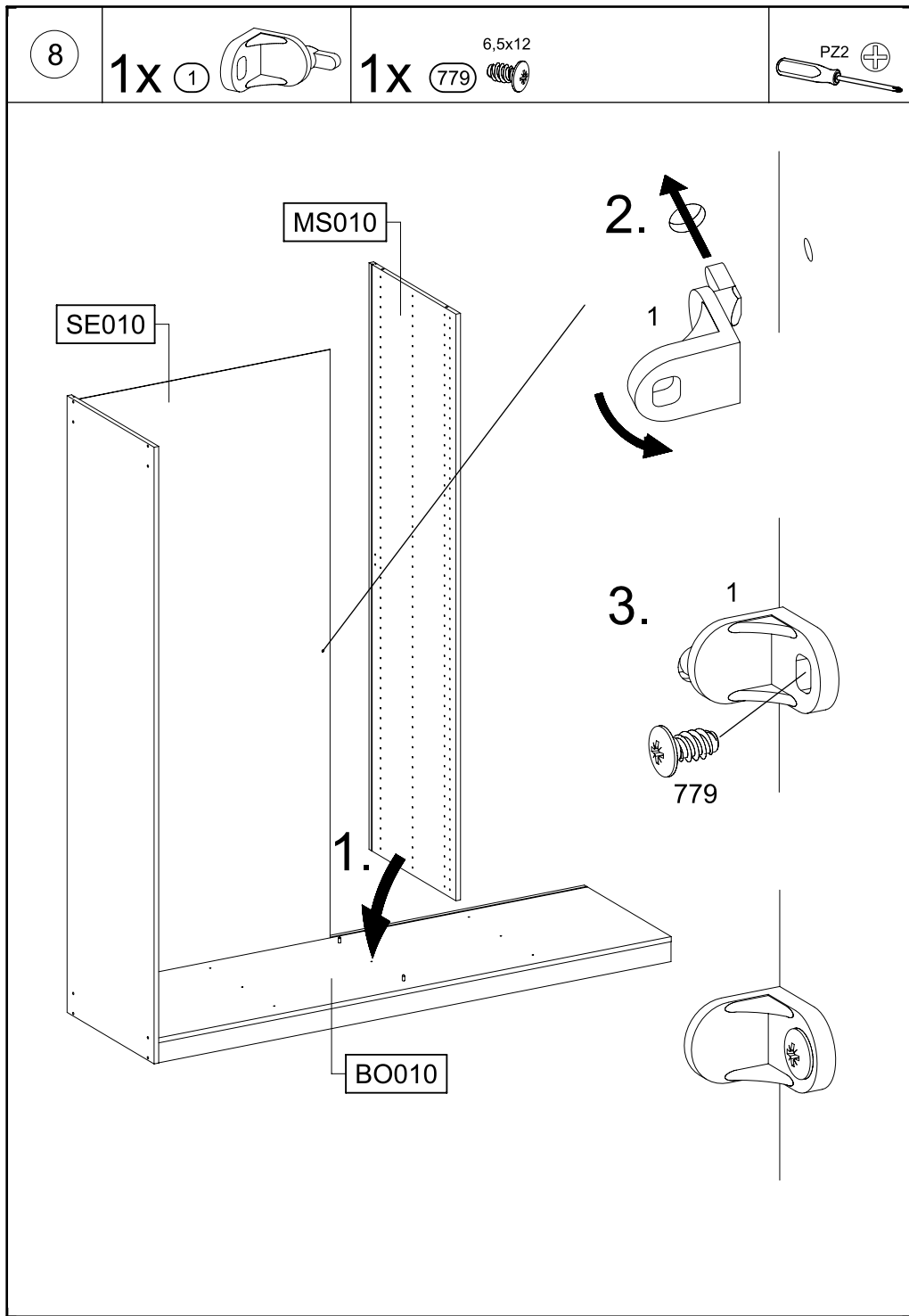


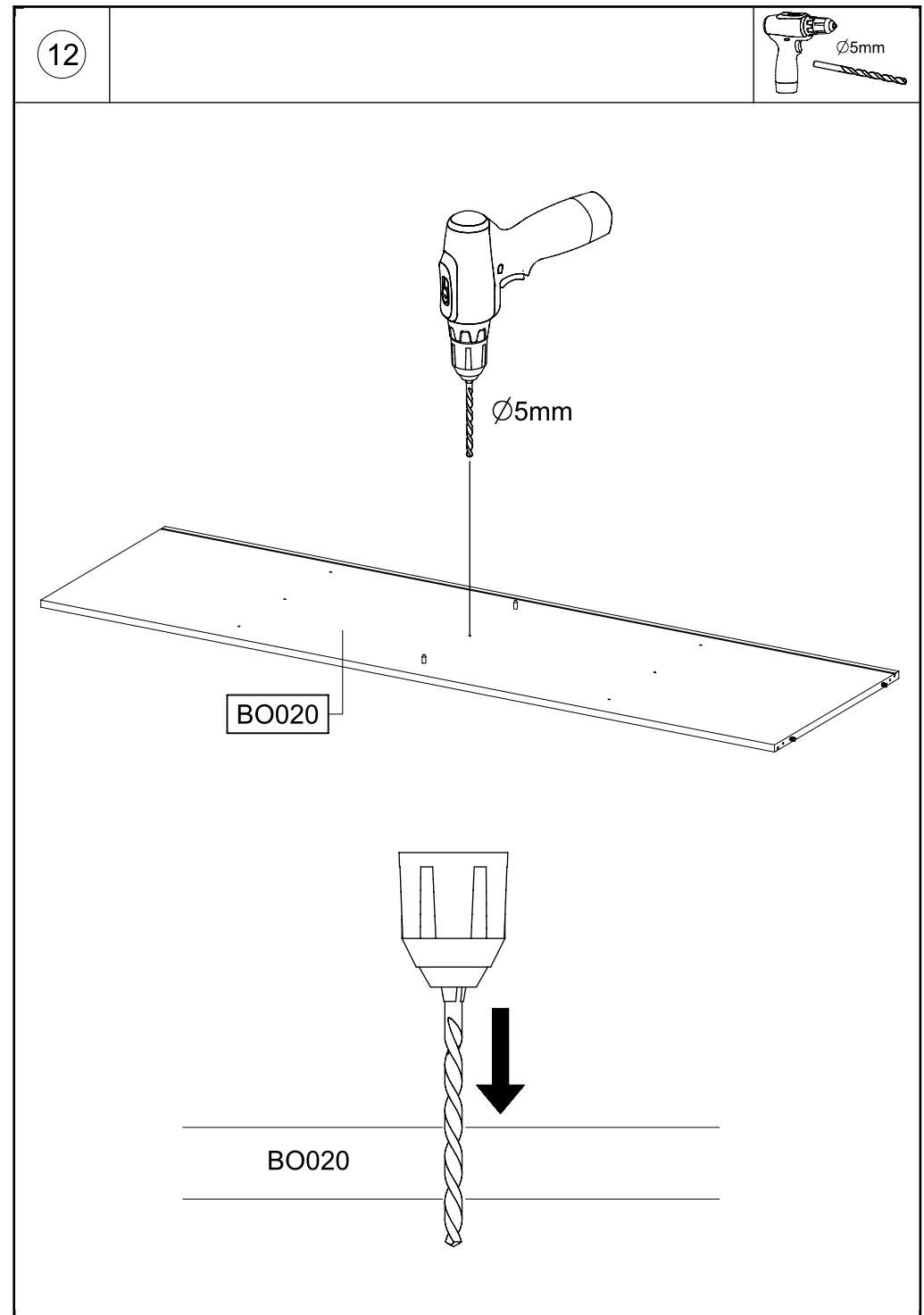
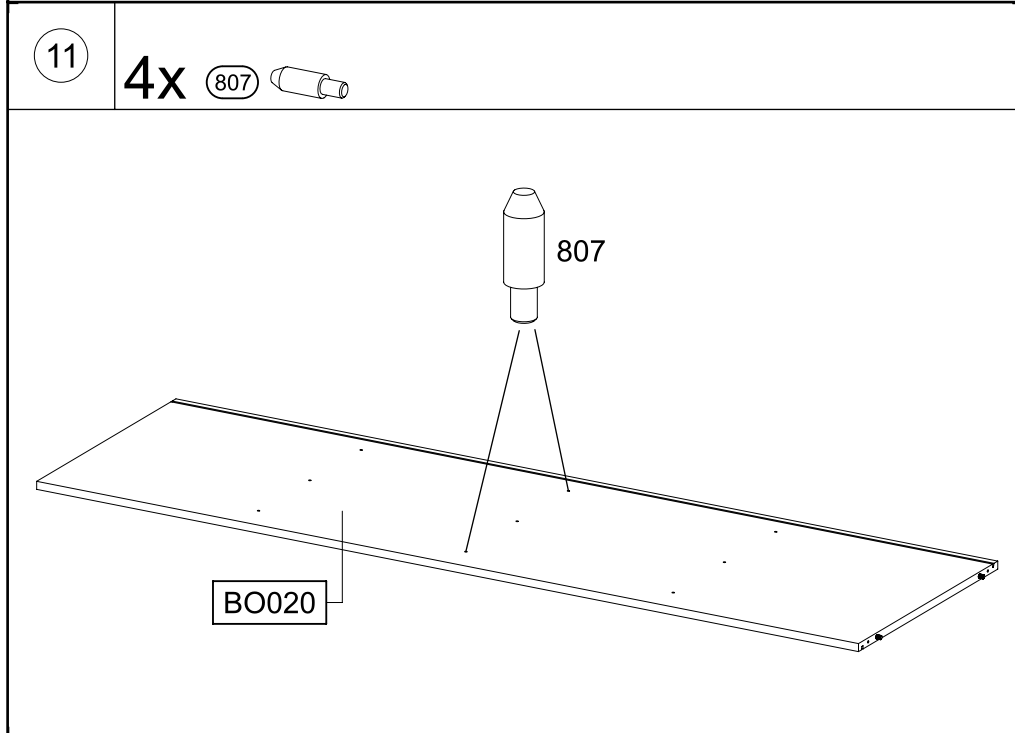
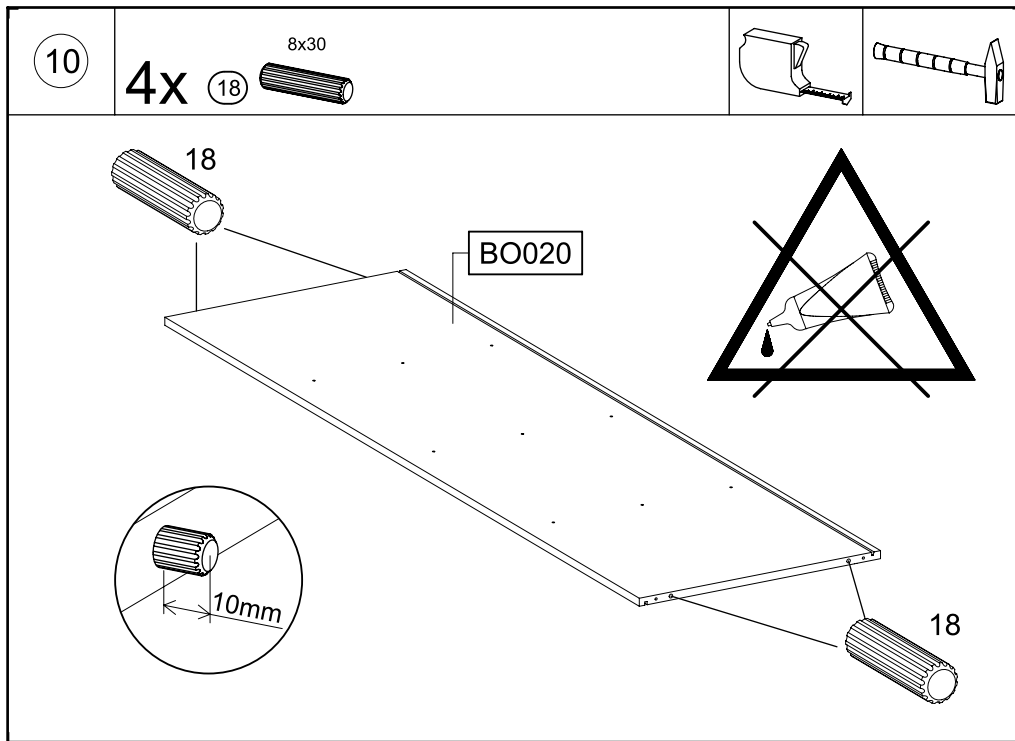


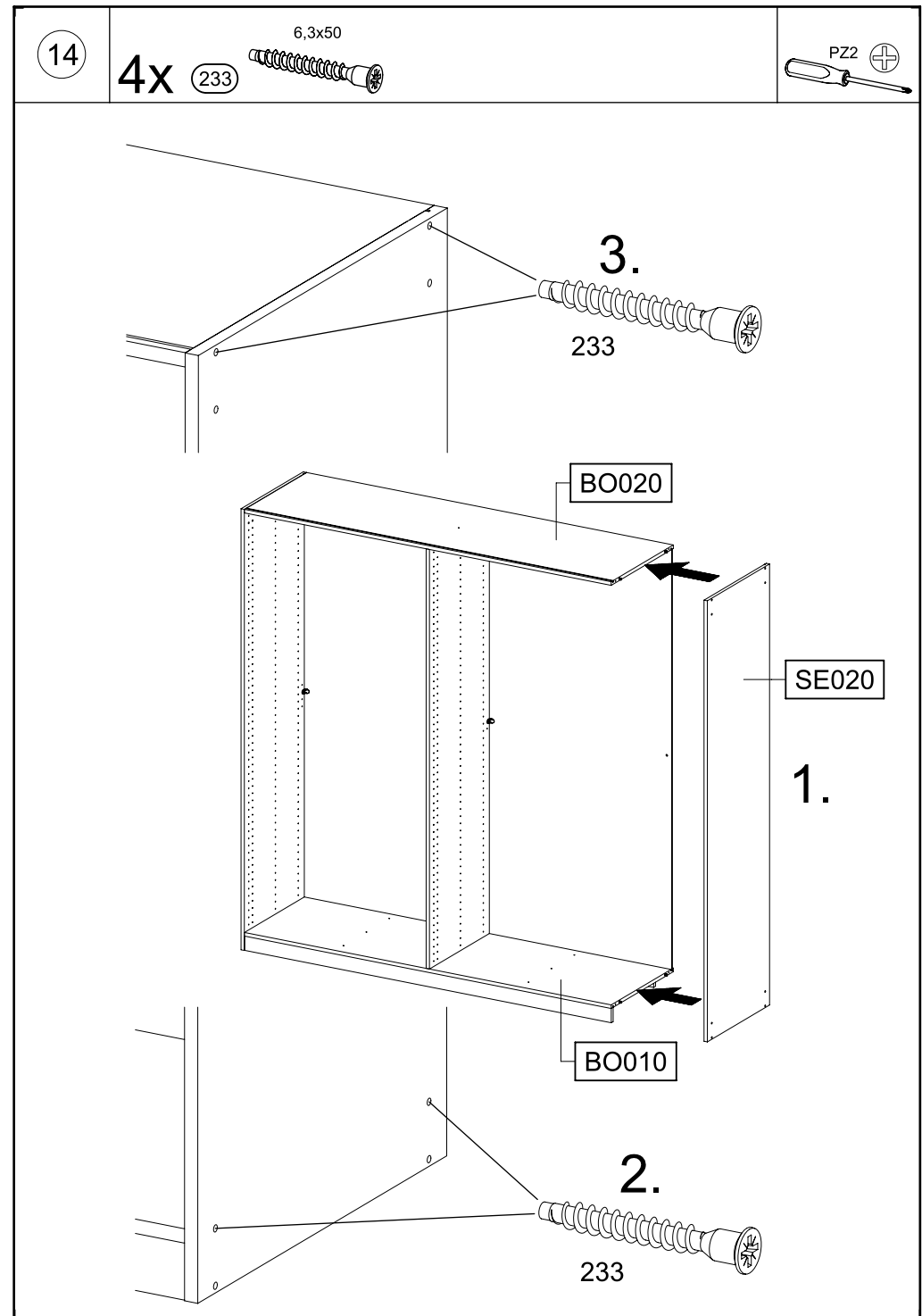
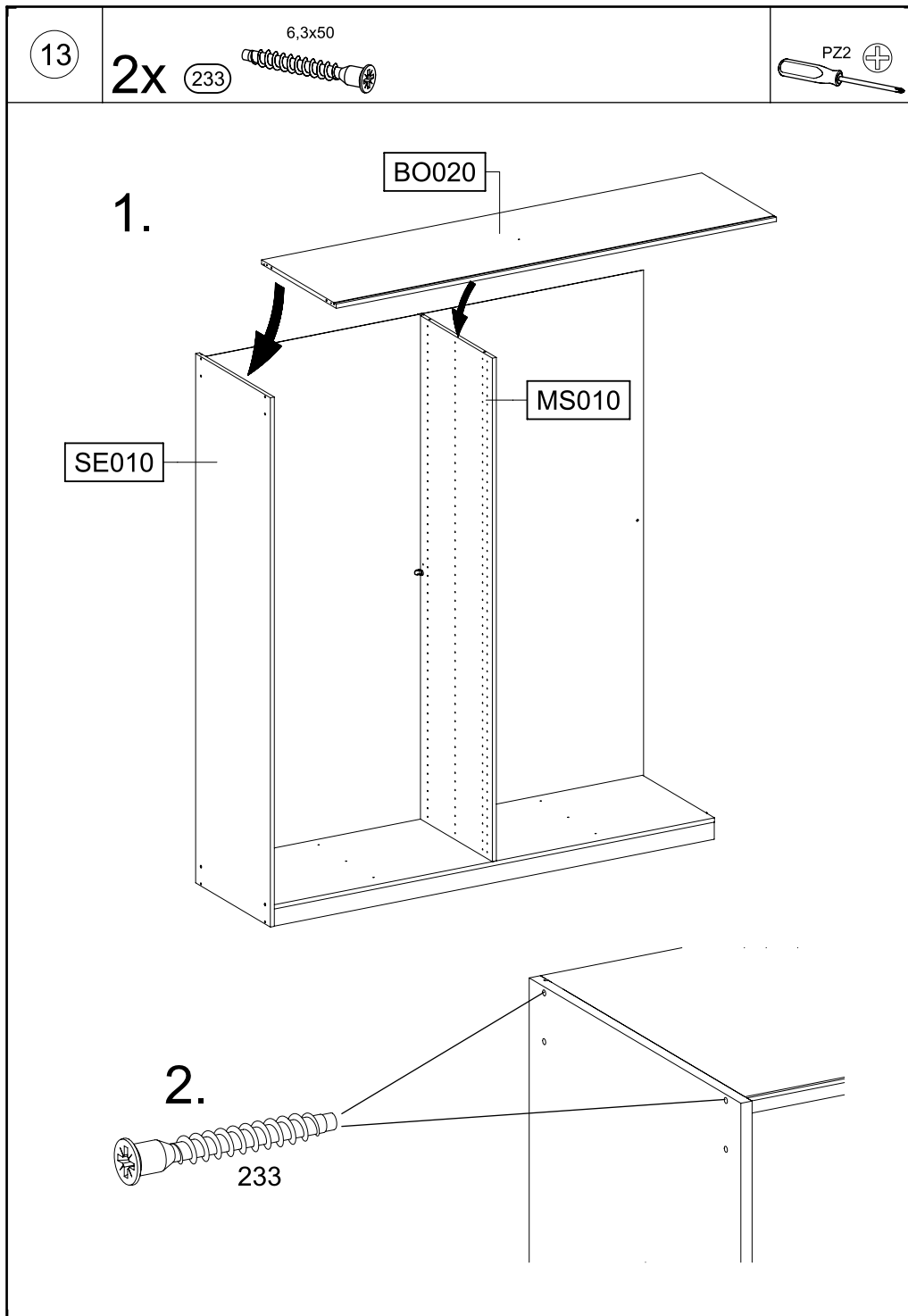












15

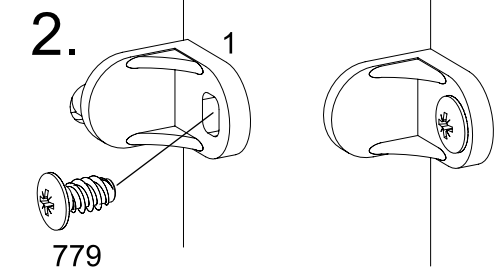
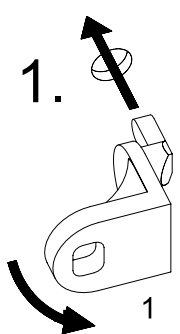
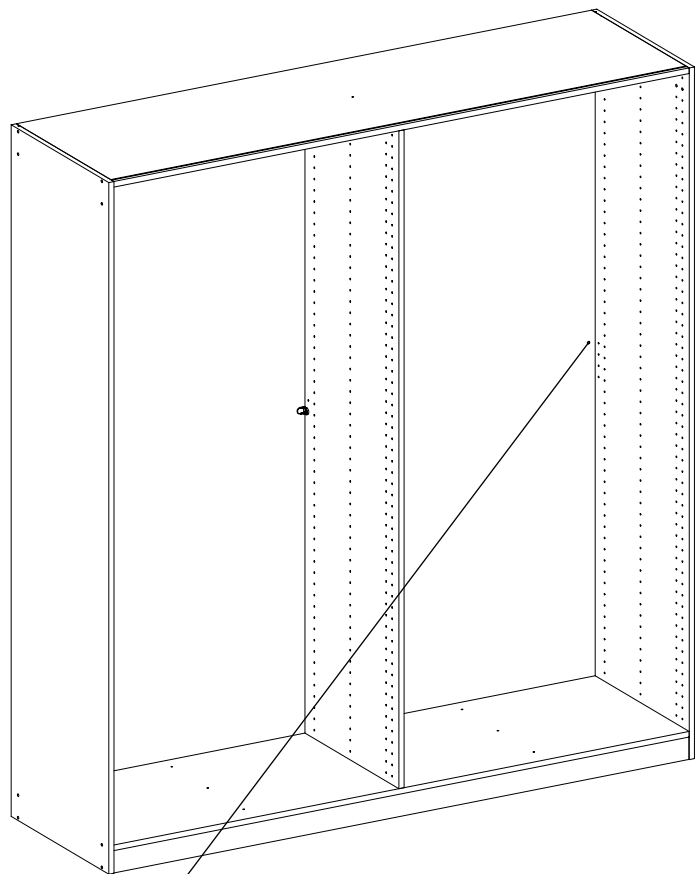
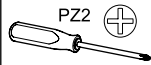
1x 1



1x

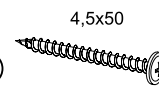
779

6,5x12

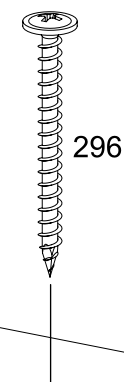
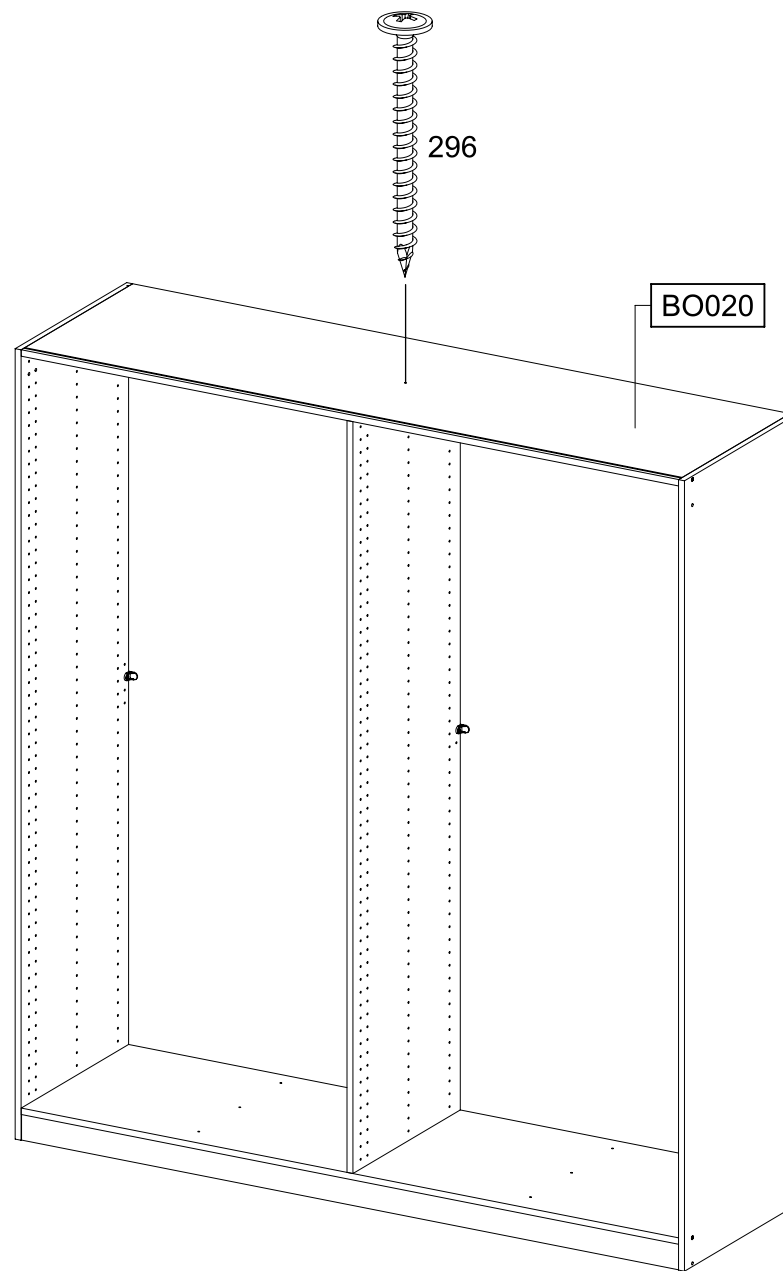
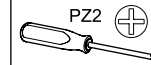


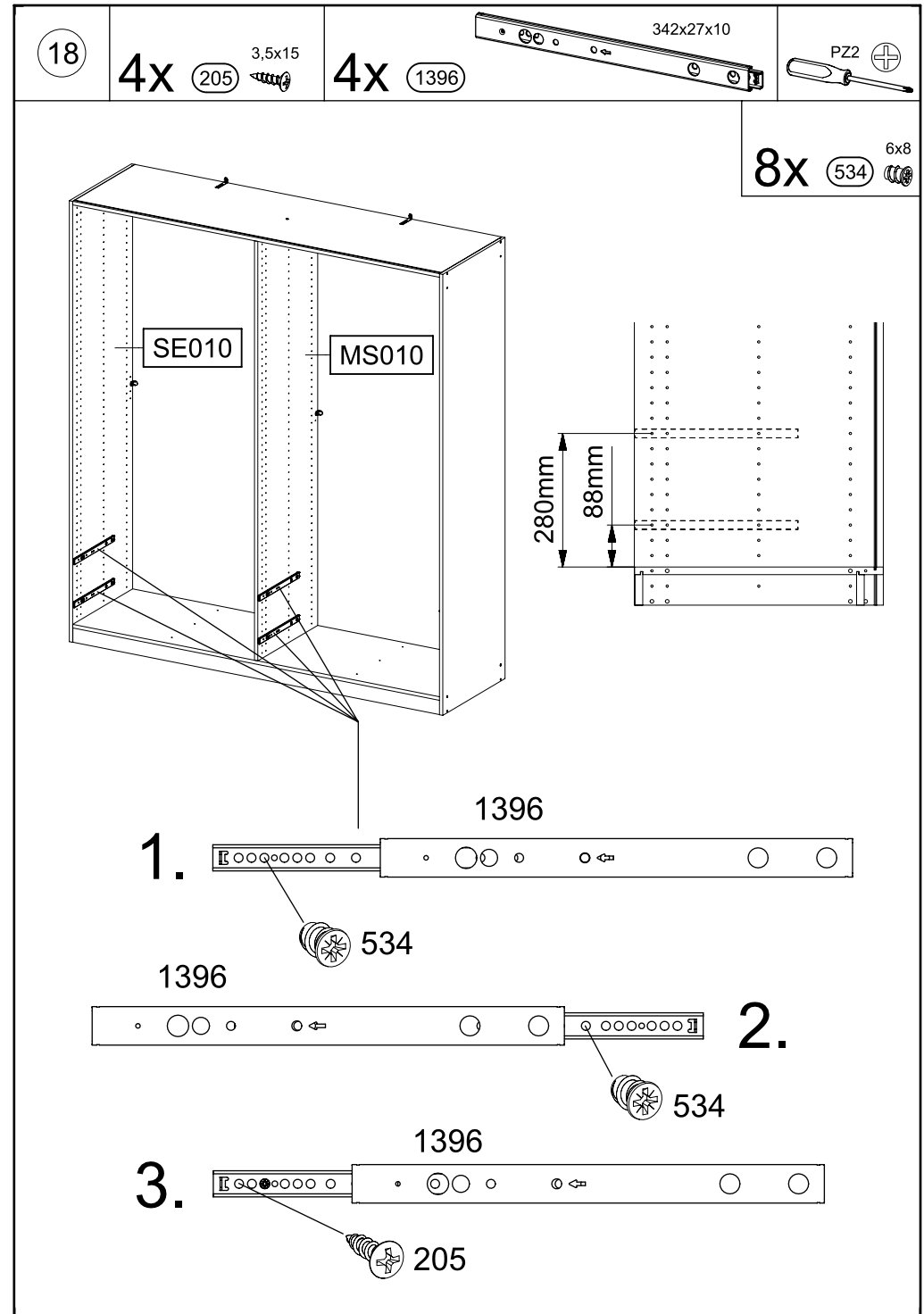
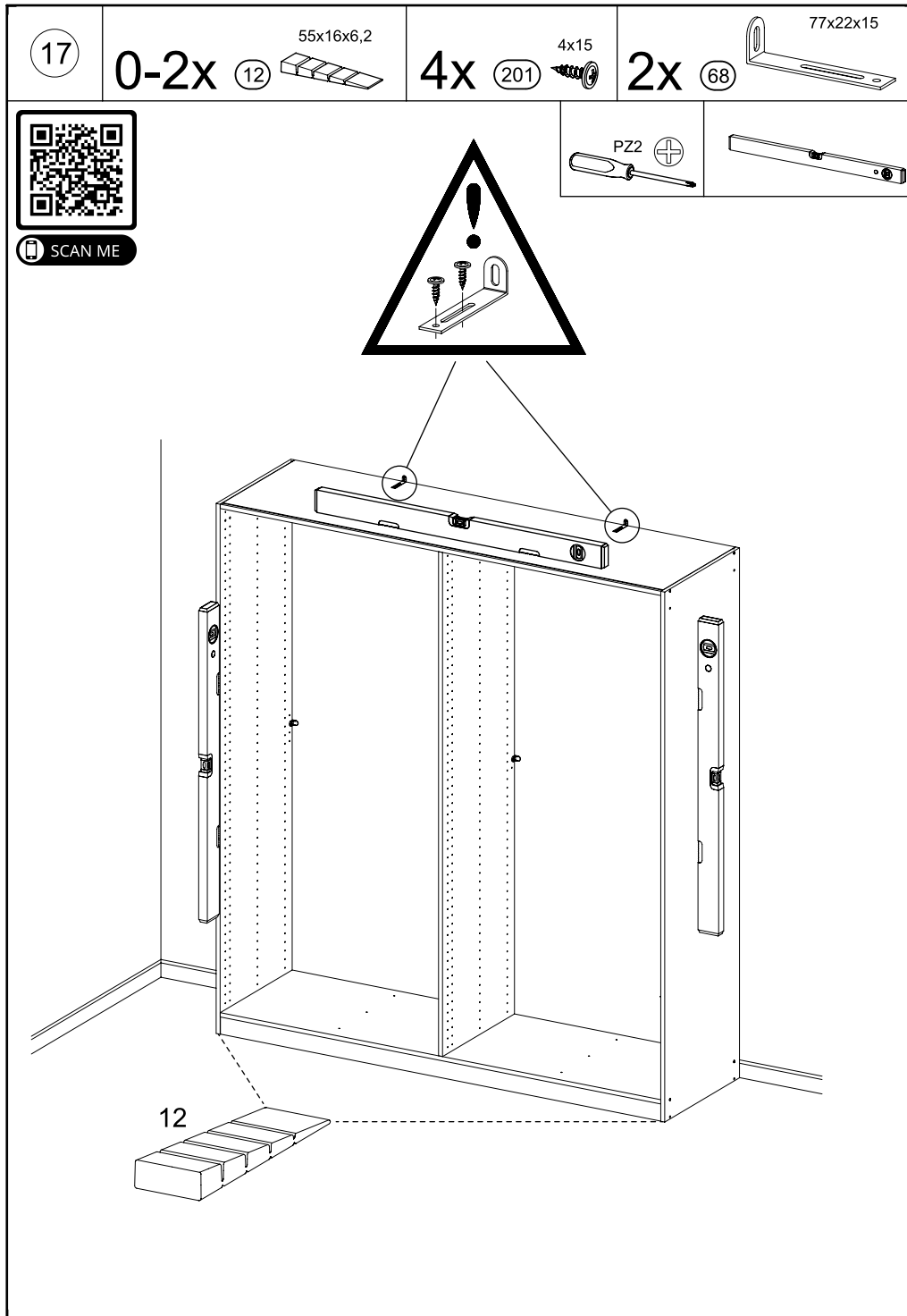
16

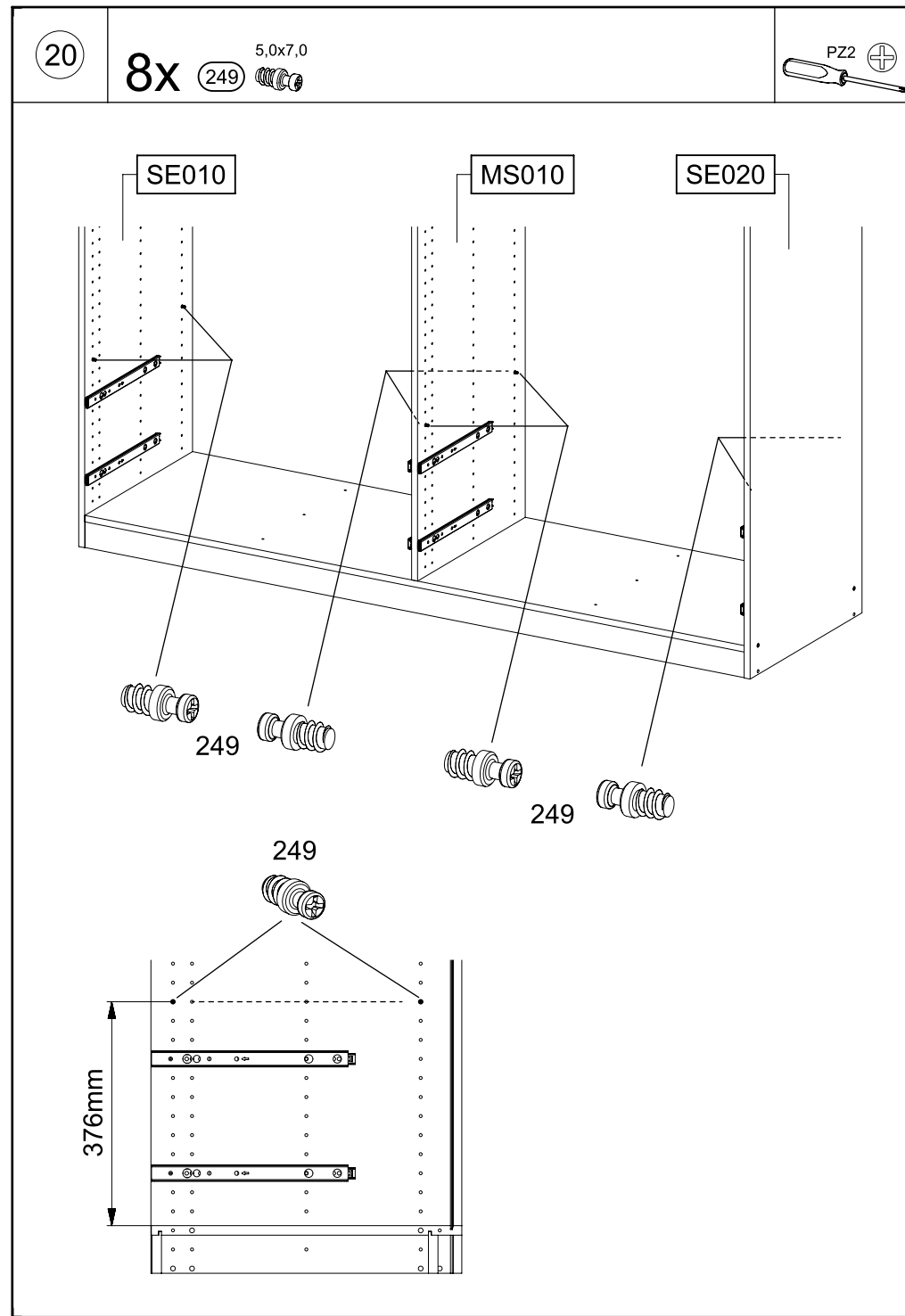
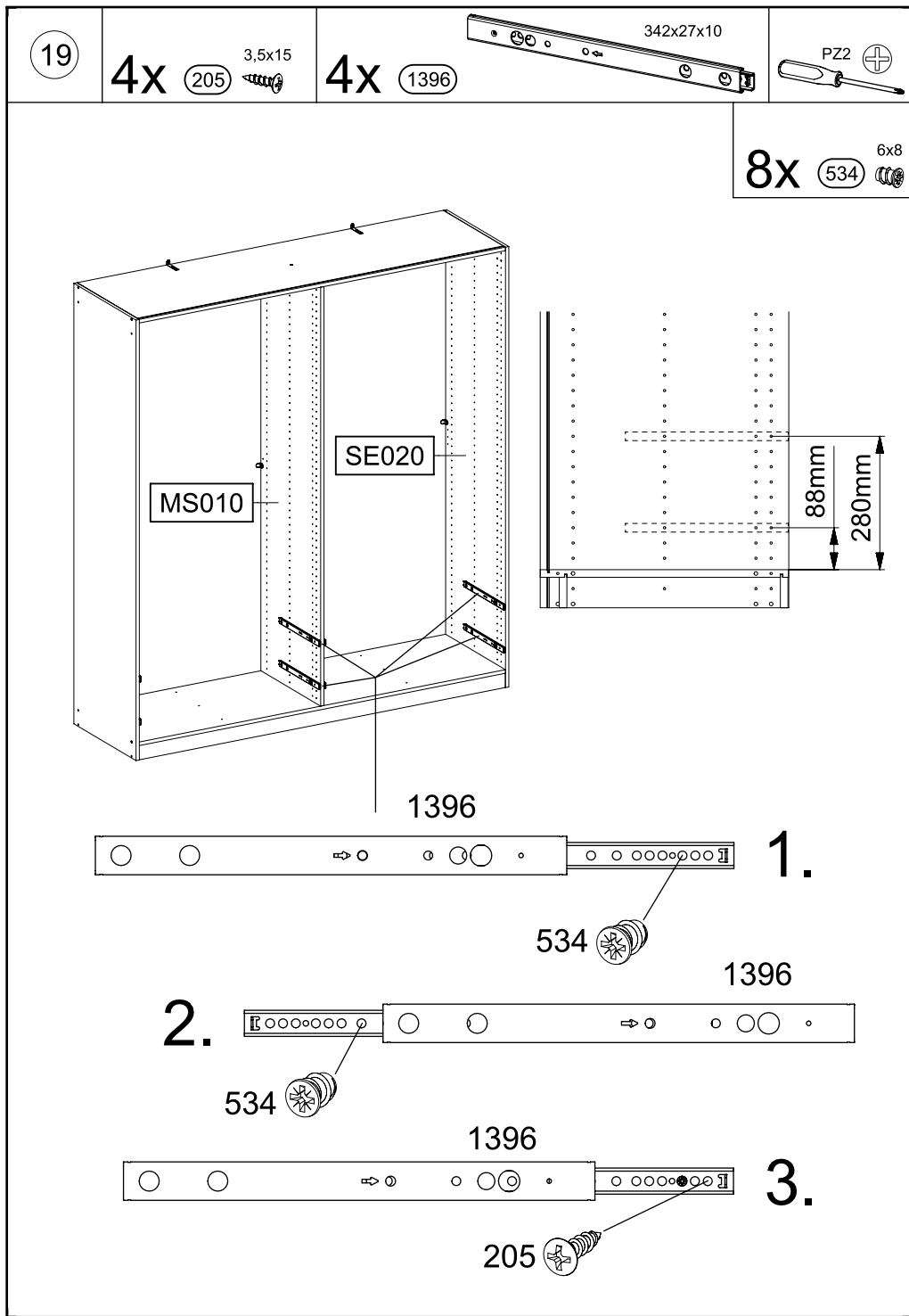
1x 296



4,5x50

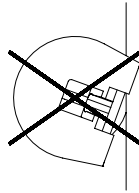
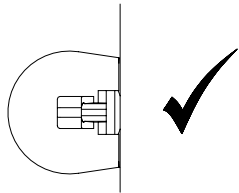
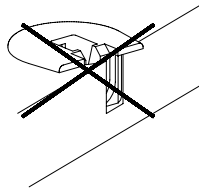
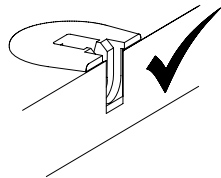
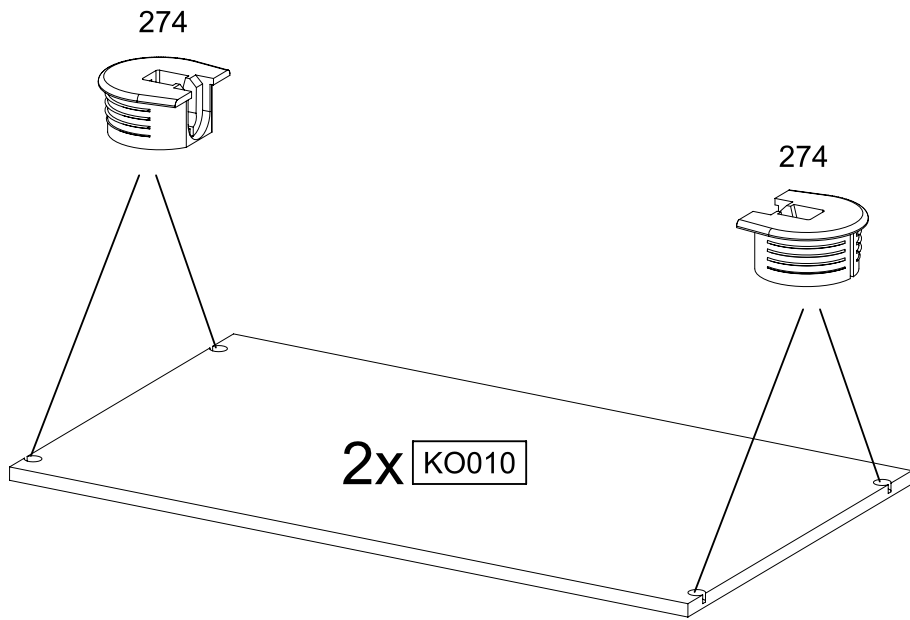
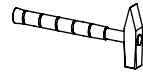




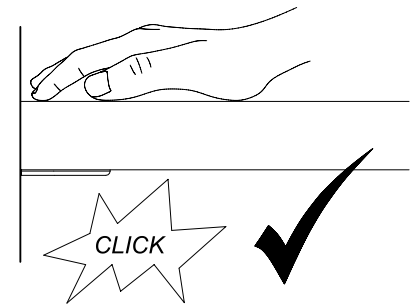
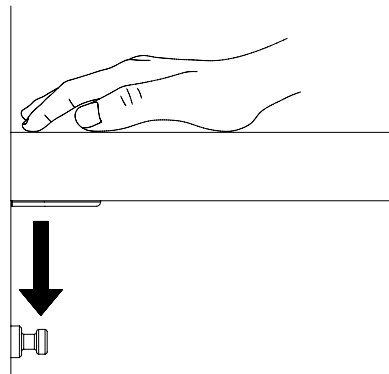
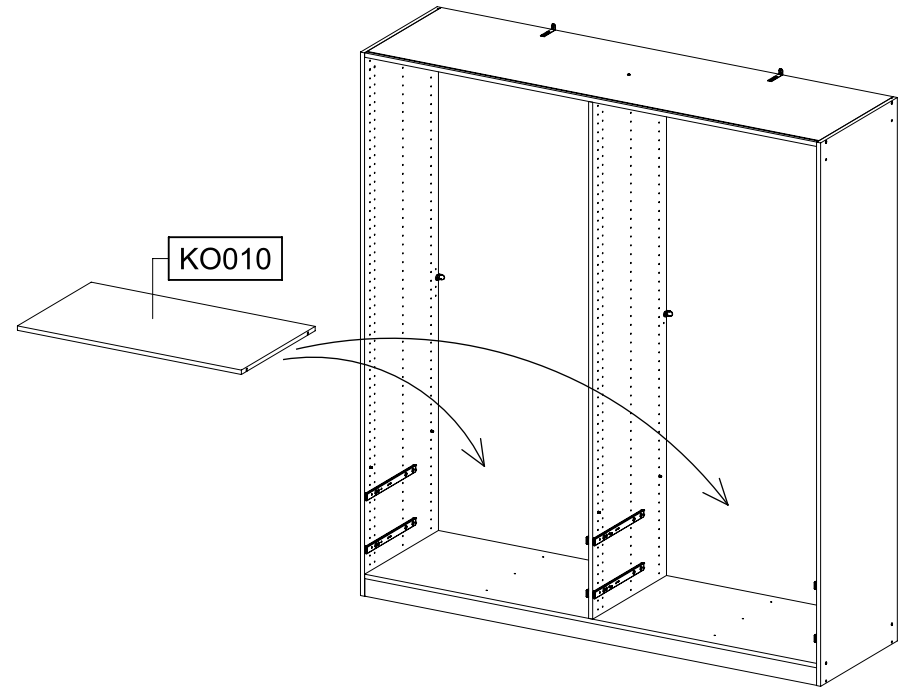


21

8x 



22



23

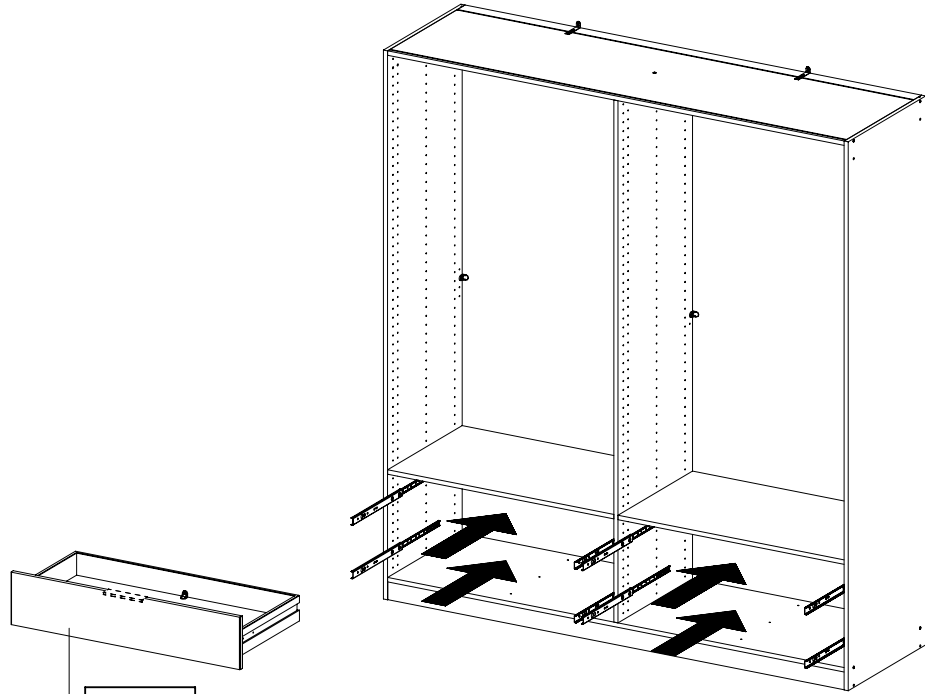
8x

568

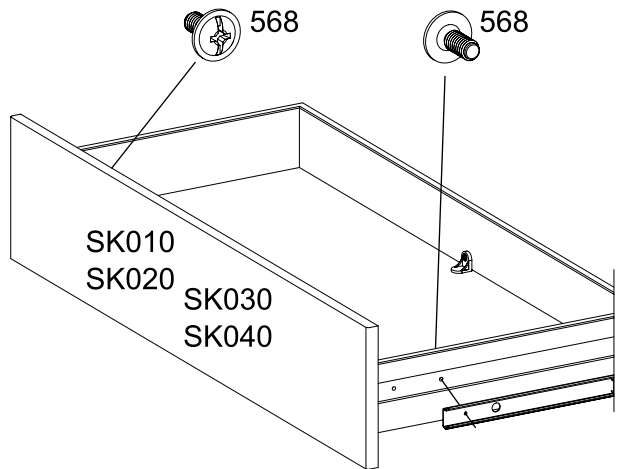
M4x9



PZ2



- SK010
- SK020
- SK030
- SK040

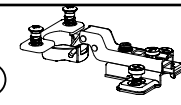


- SK010
- SK020
- SK030
- SK040

24

12x

116



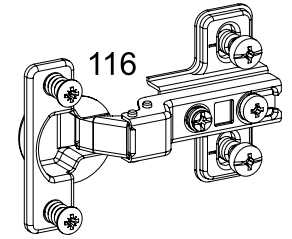
PZ2



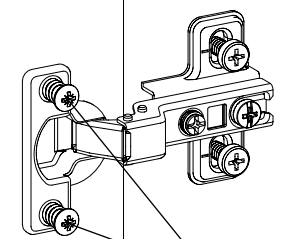
SCAN ME



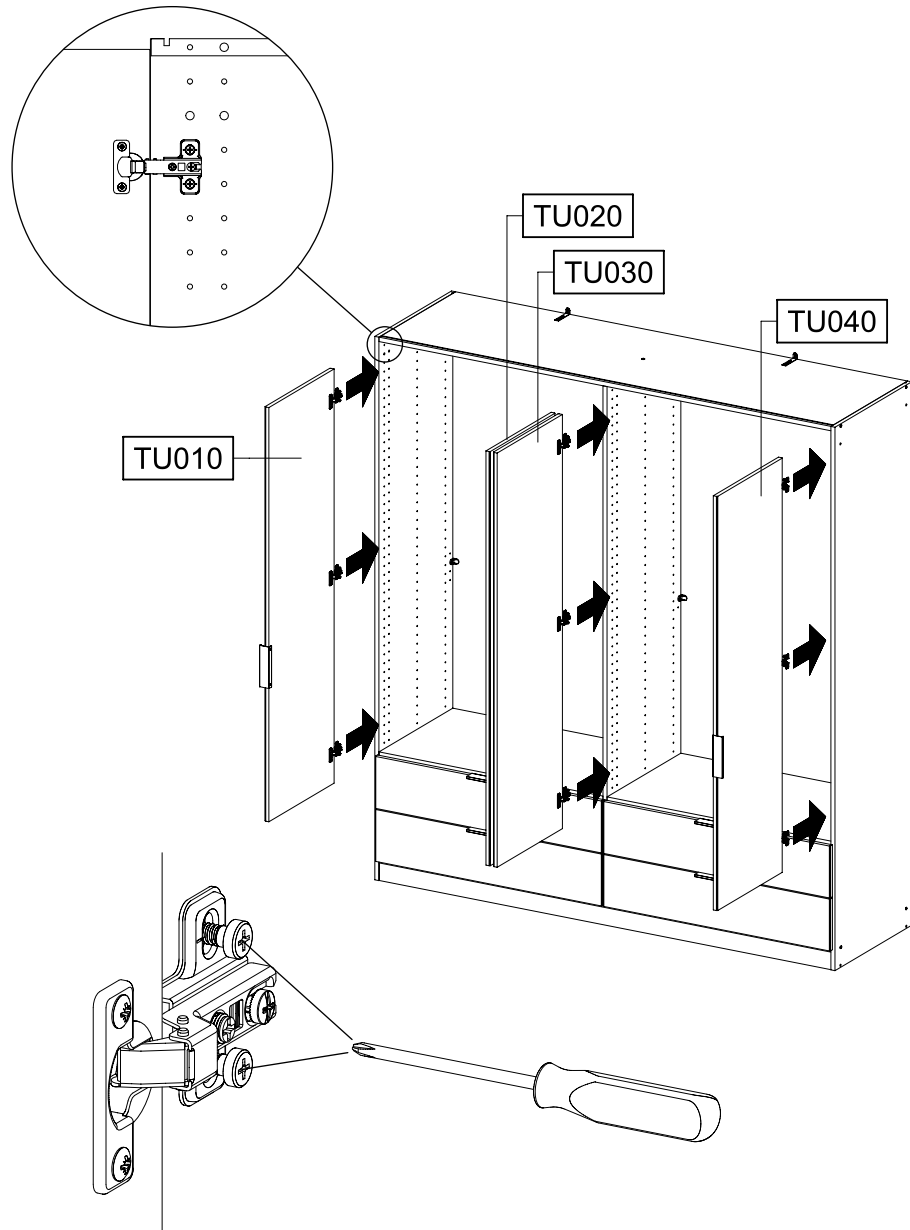
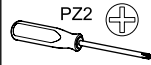
- TU010
- TU020
- TU030
- TU040



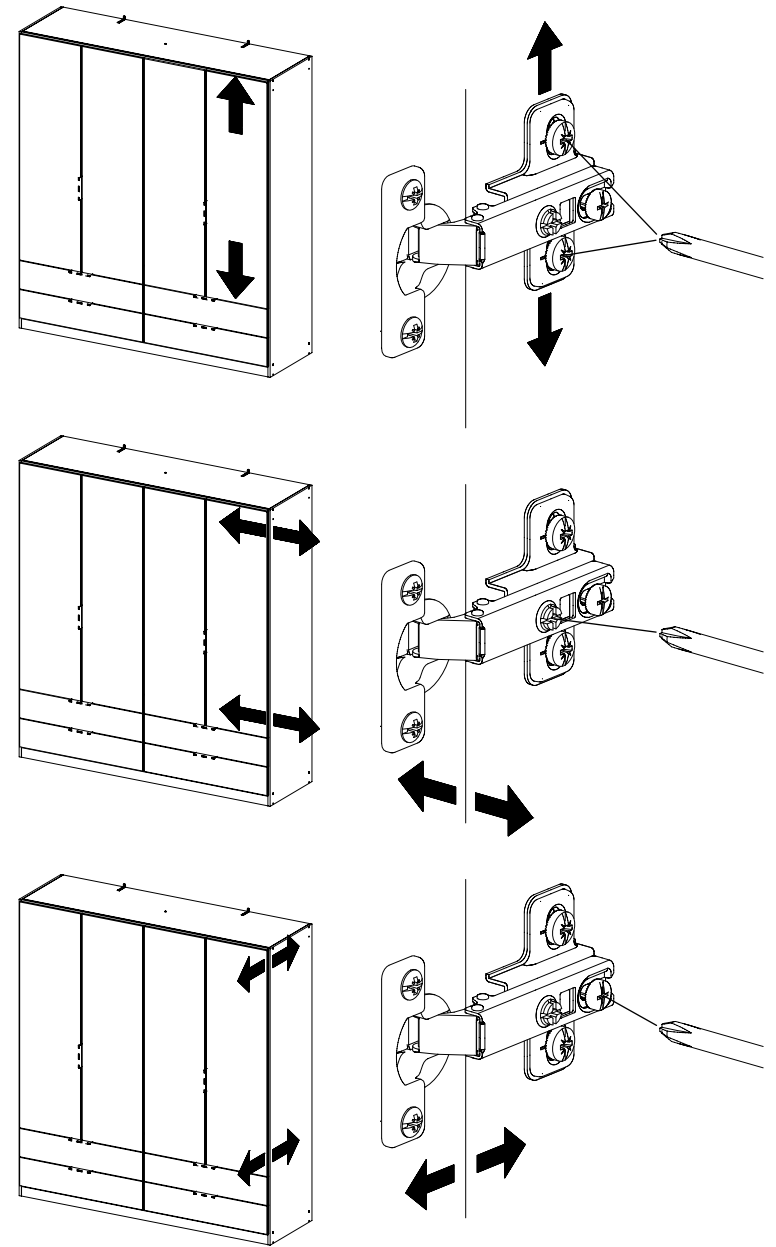
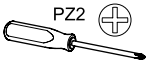
2.



25

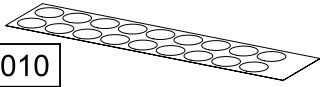


26

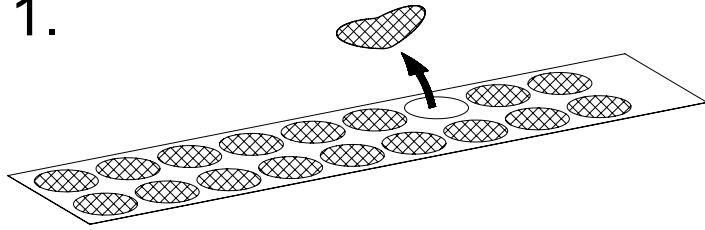


27

1x RE010



1.



2.

