

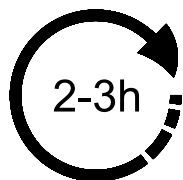
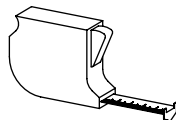
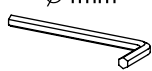
## M3050\_01



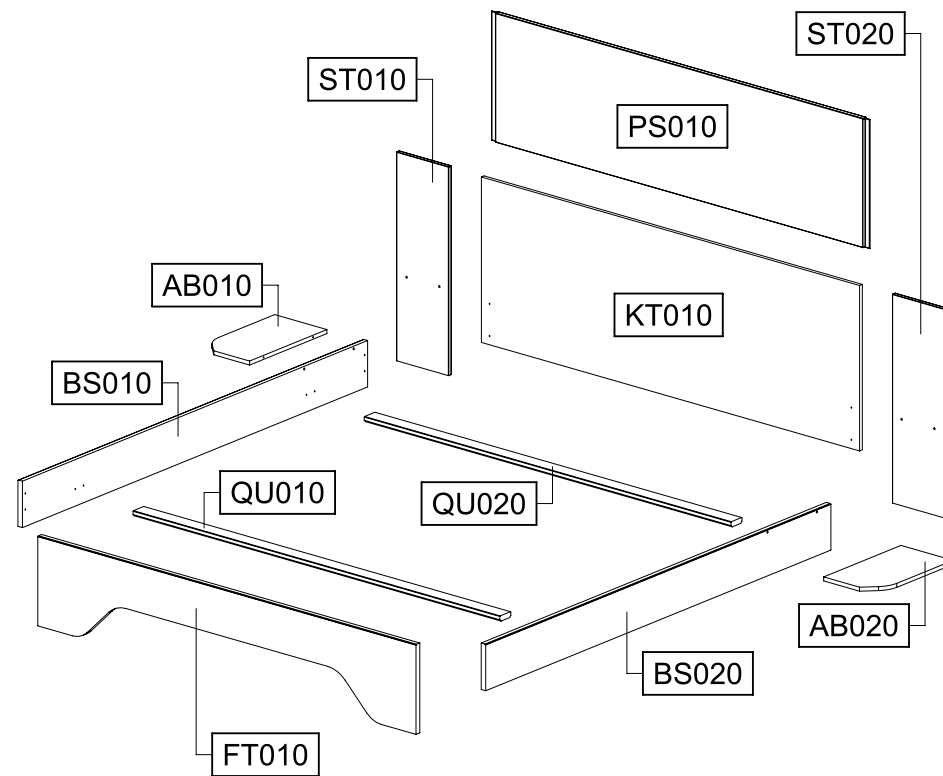
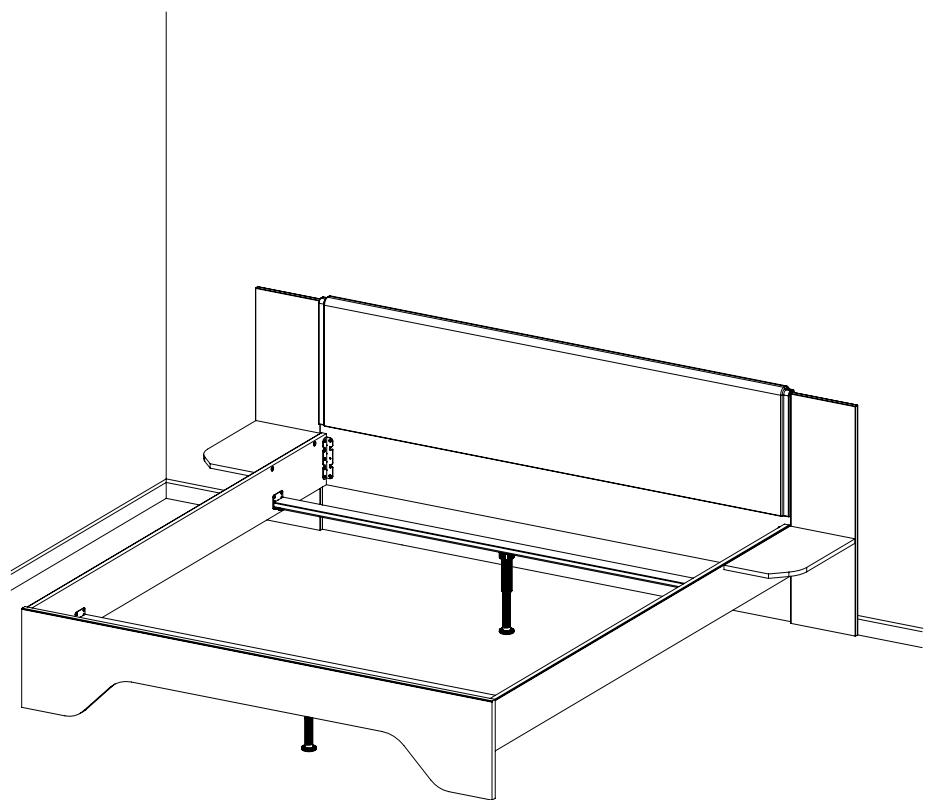
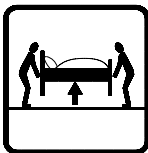
PZ2

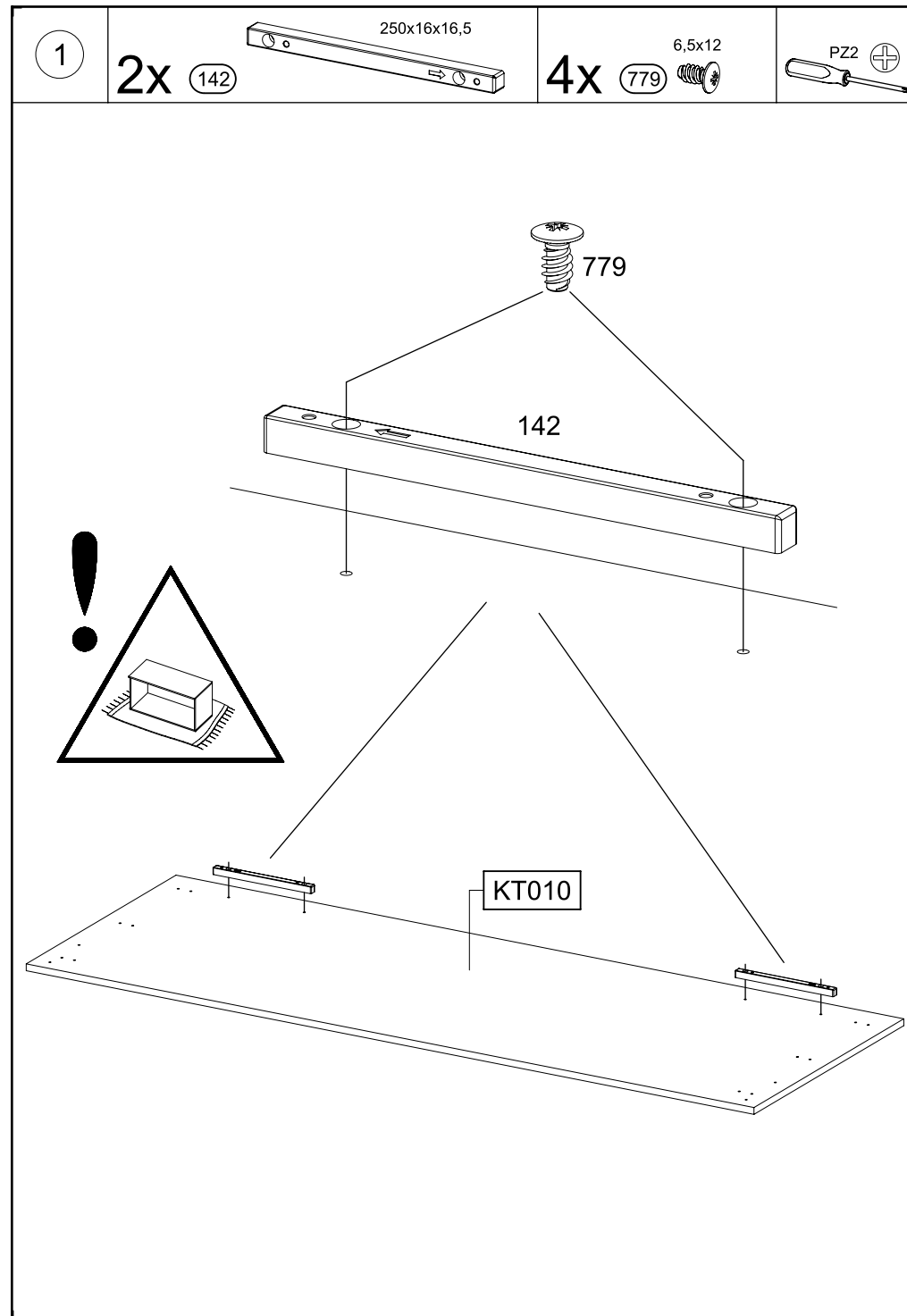
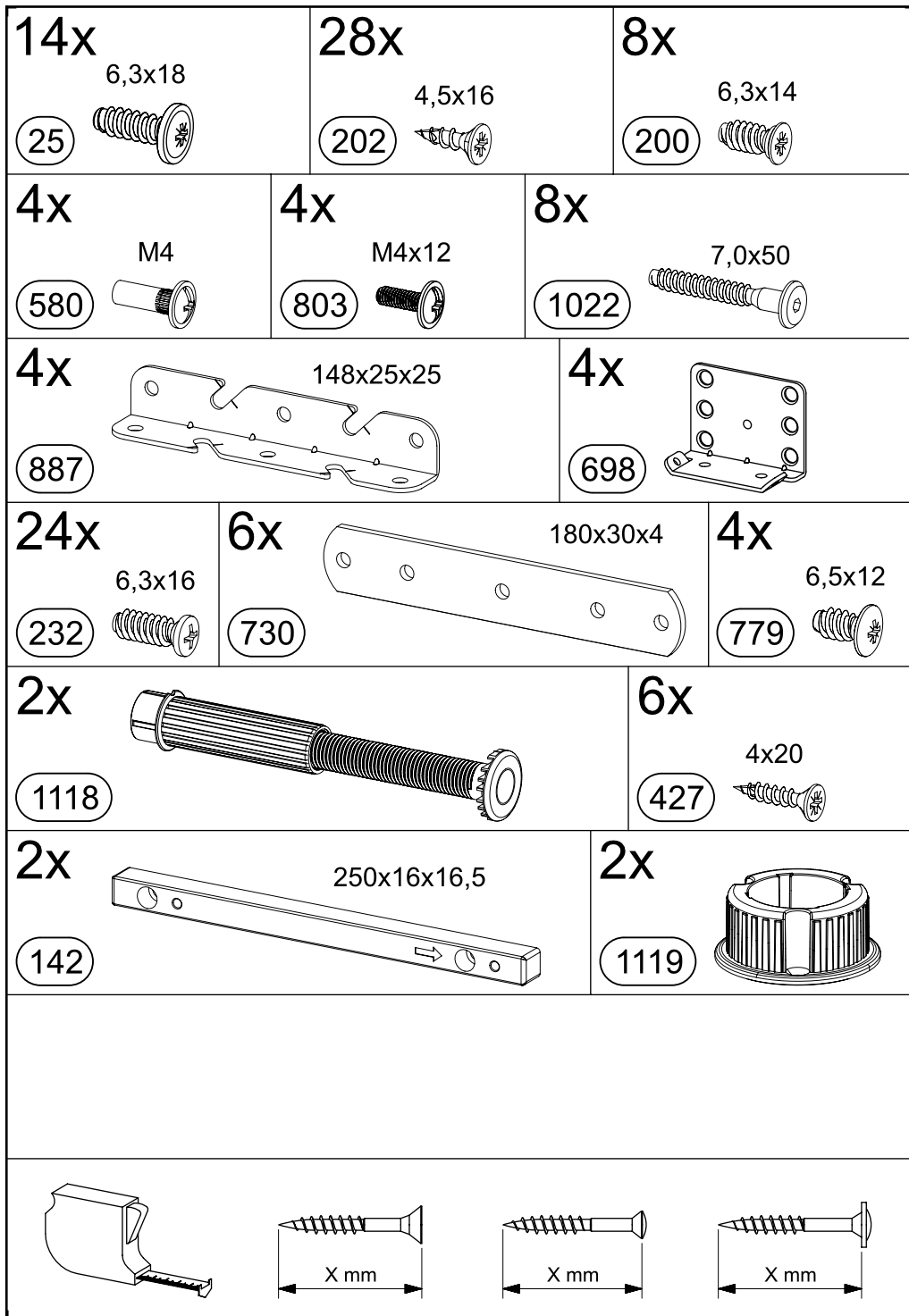


Ø4mm



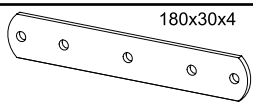
2-3h





2

3x 730

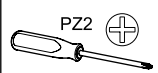


180x30x4

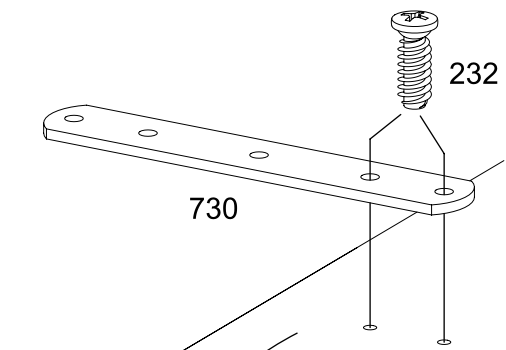
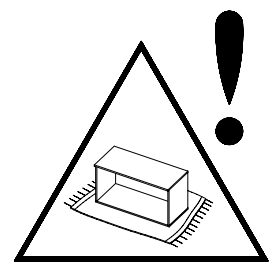
6x 232



6,3x16

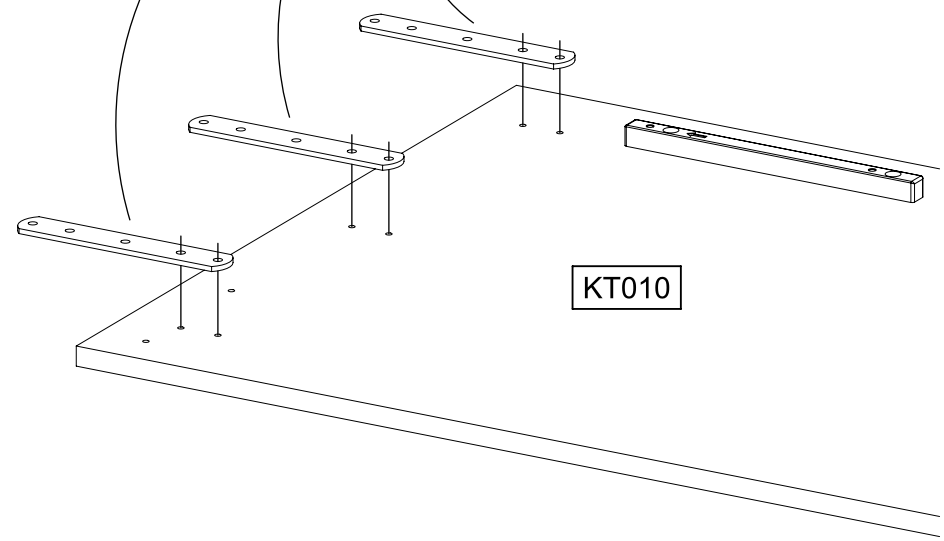


PZ2



232

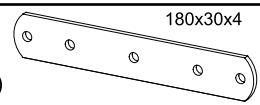
730



KT010

3

3x 730

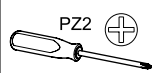


180x30x4

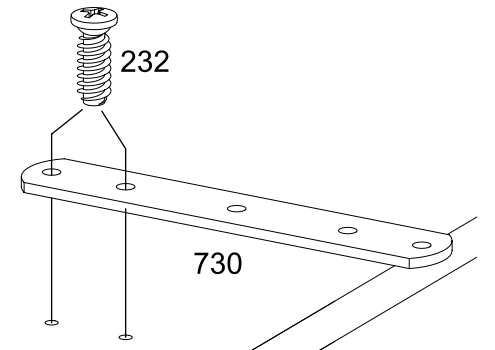
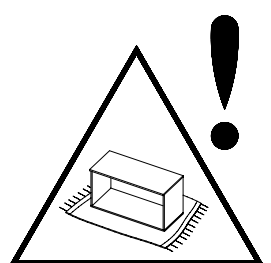
6x 232



6,3x16

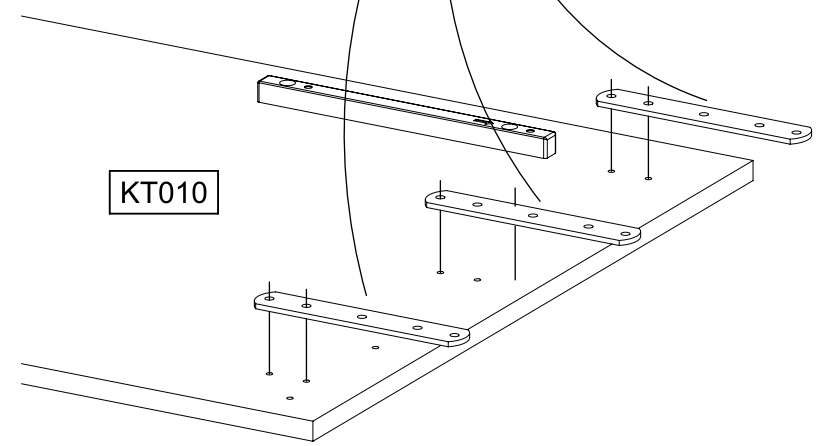


PZ2



232

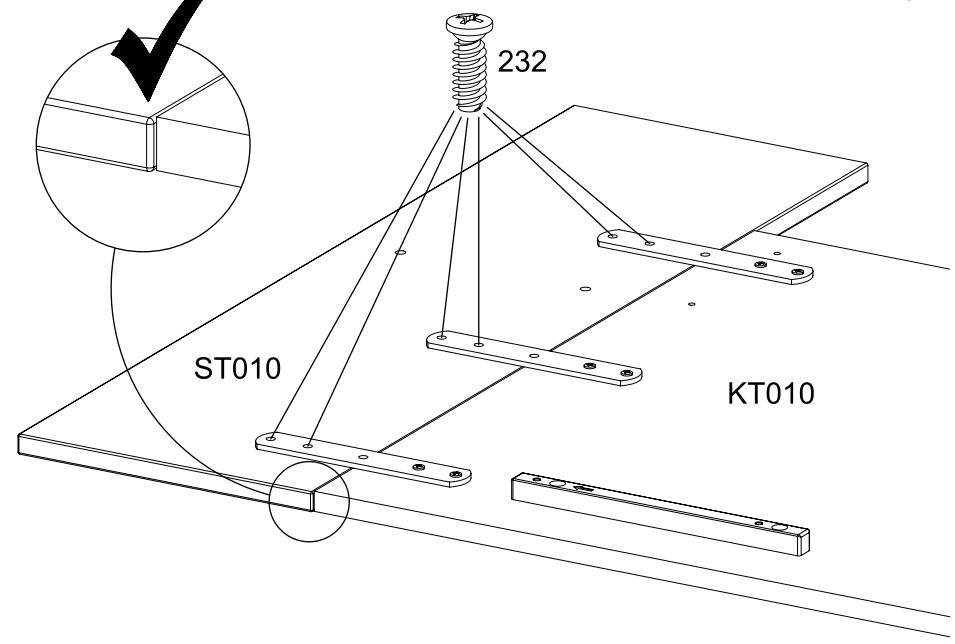
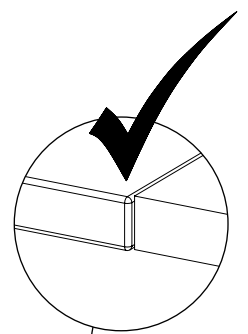
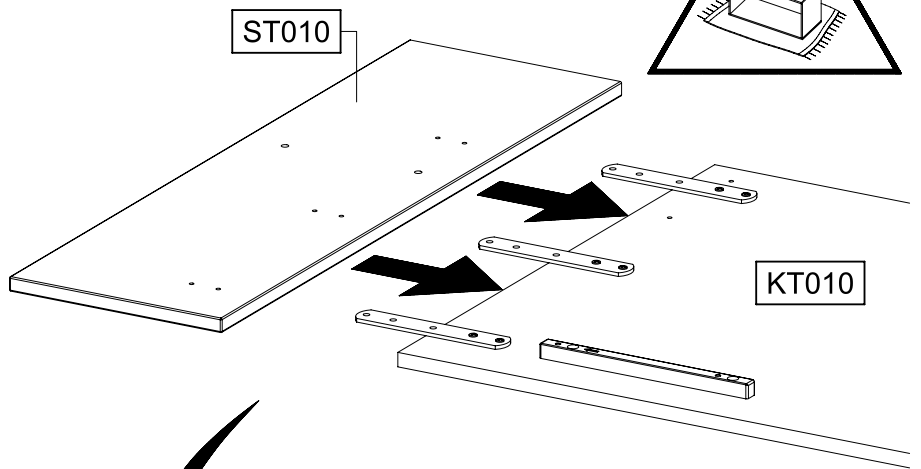
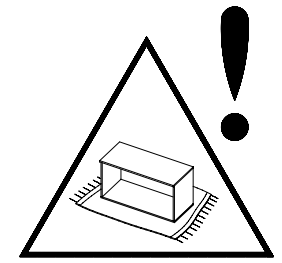
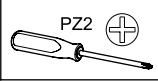
730



KT010

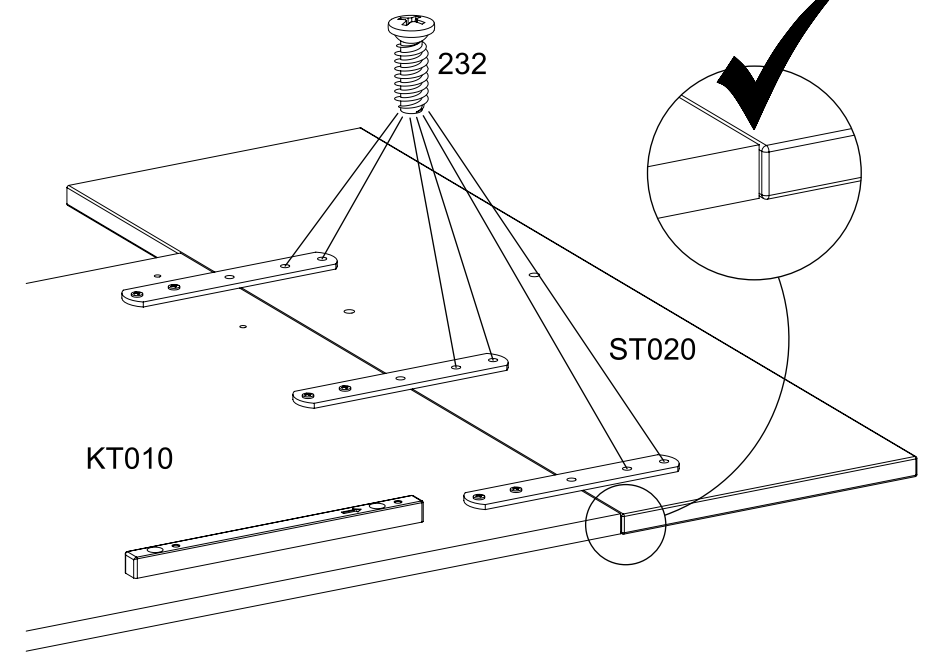
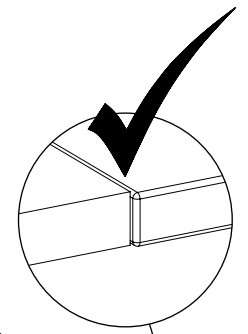
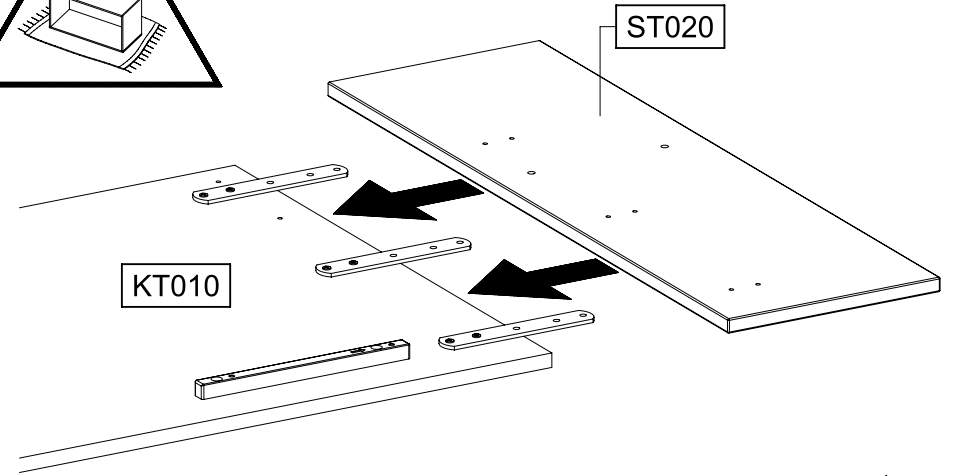
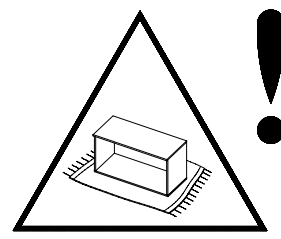
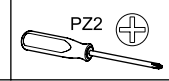
4

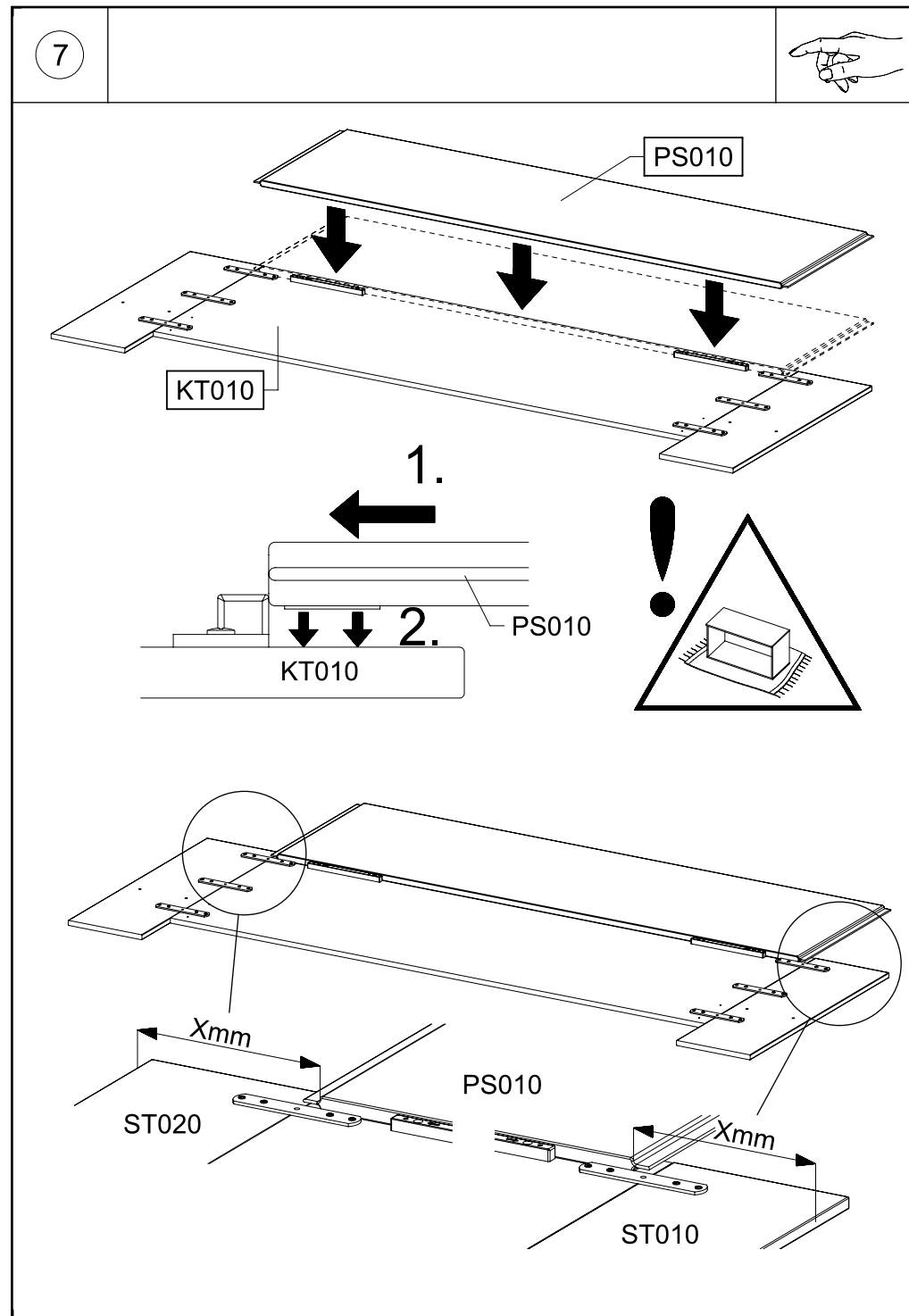
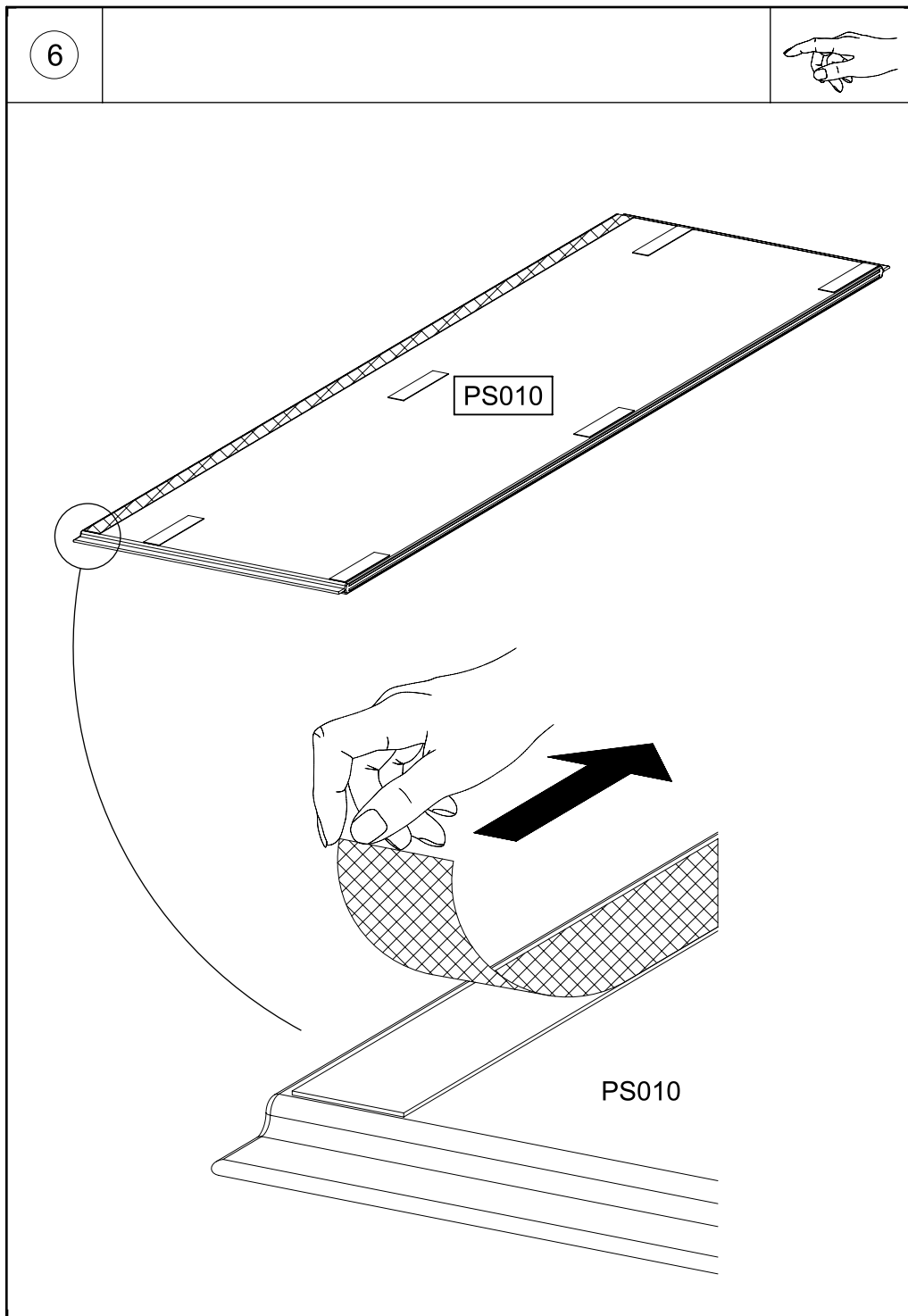
6x 6,3x16 232

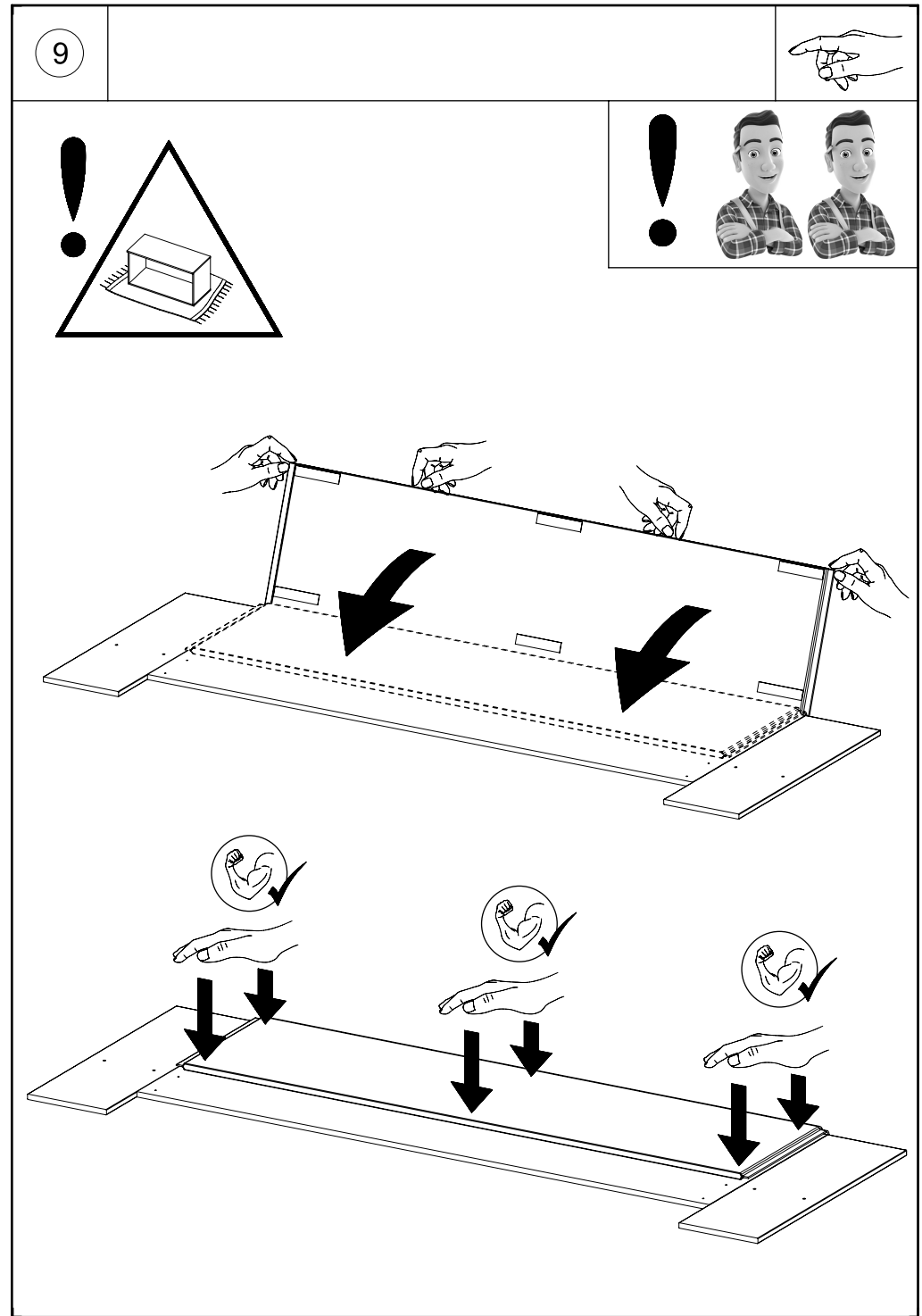
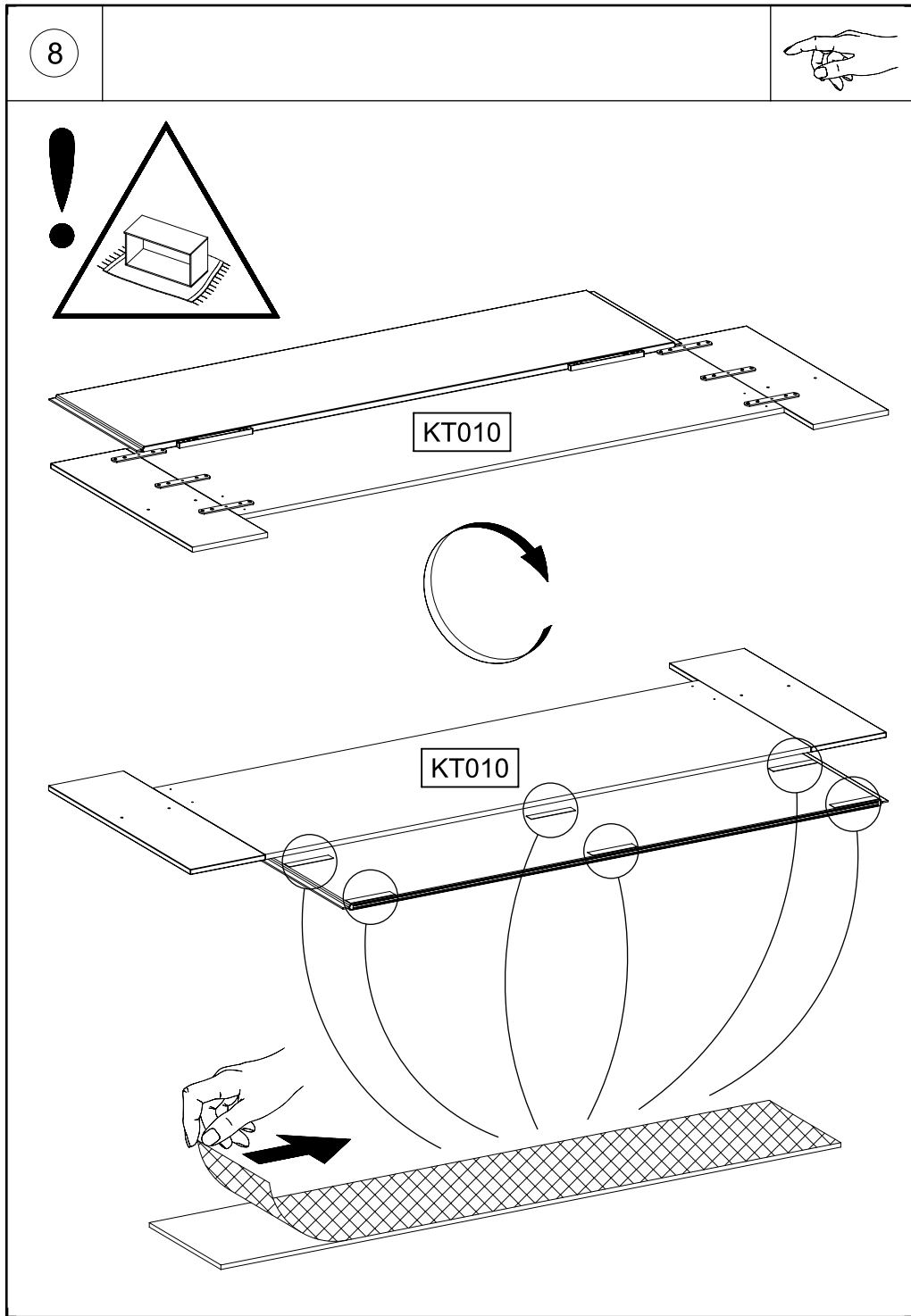


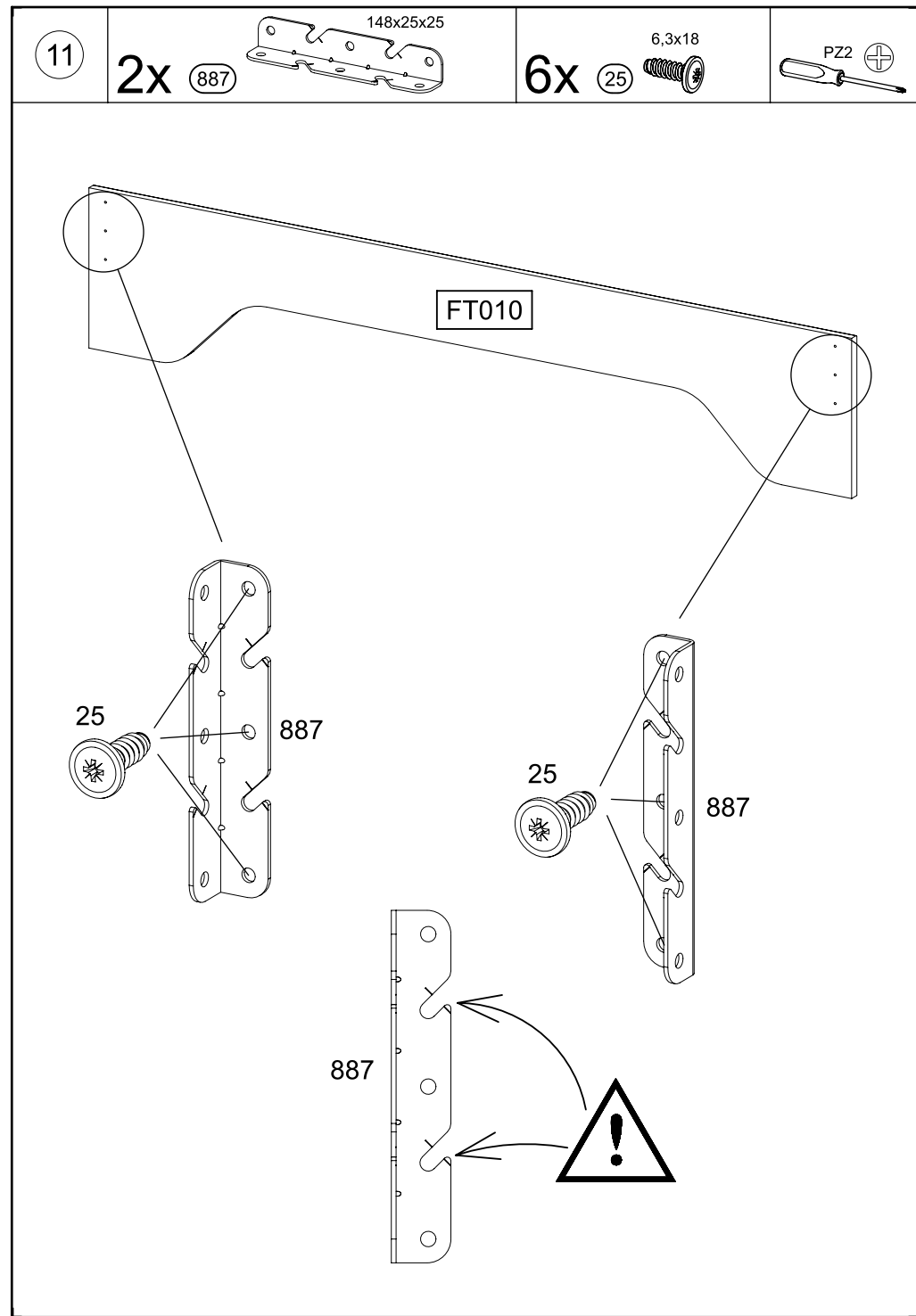
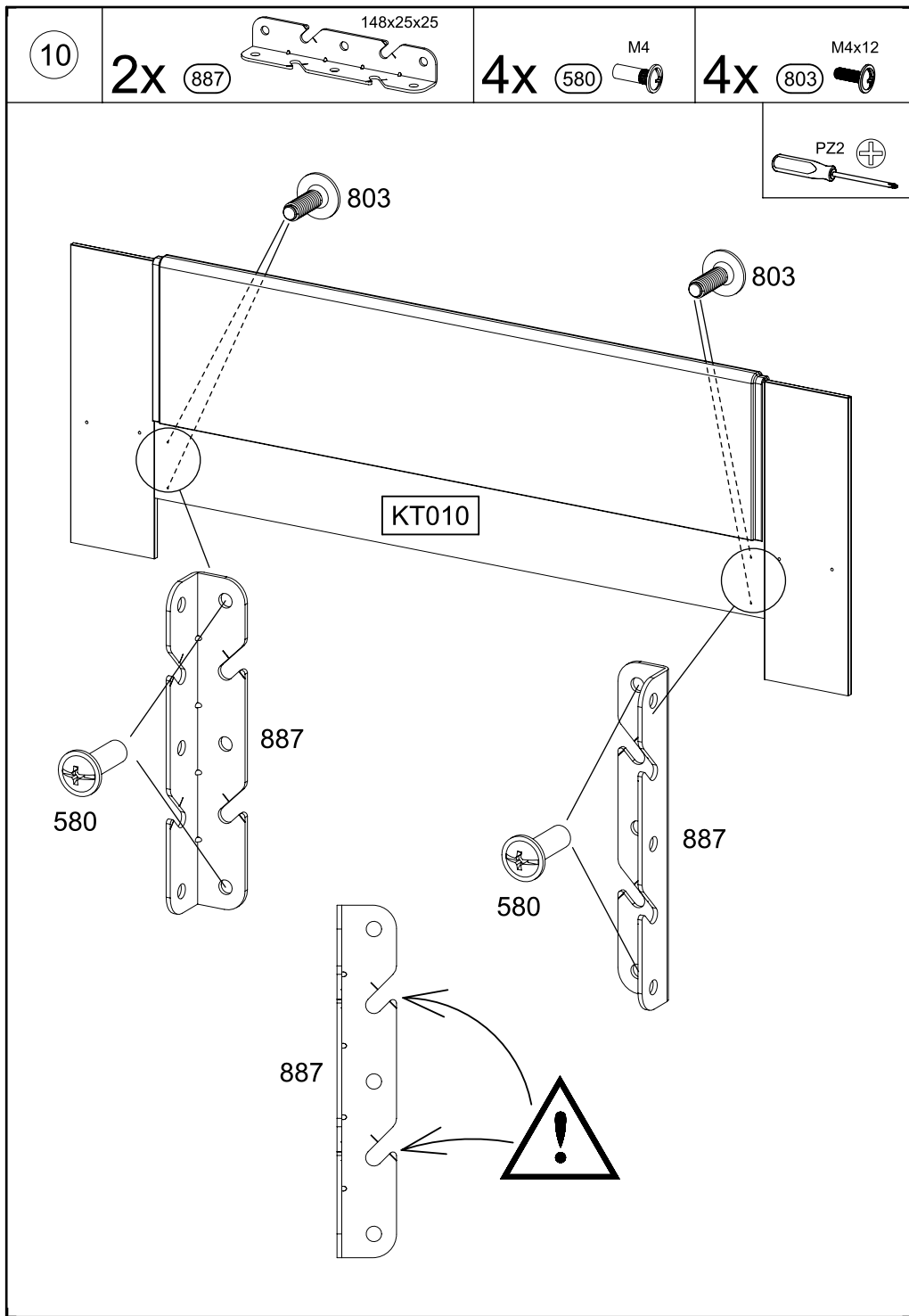
5

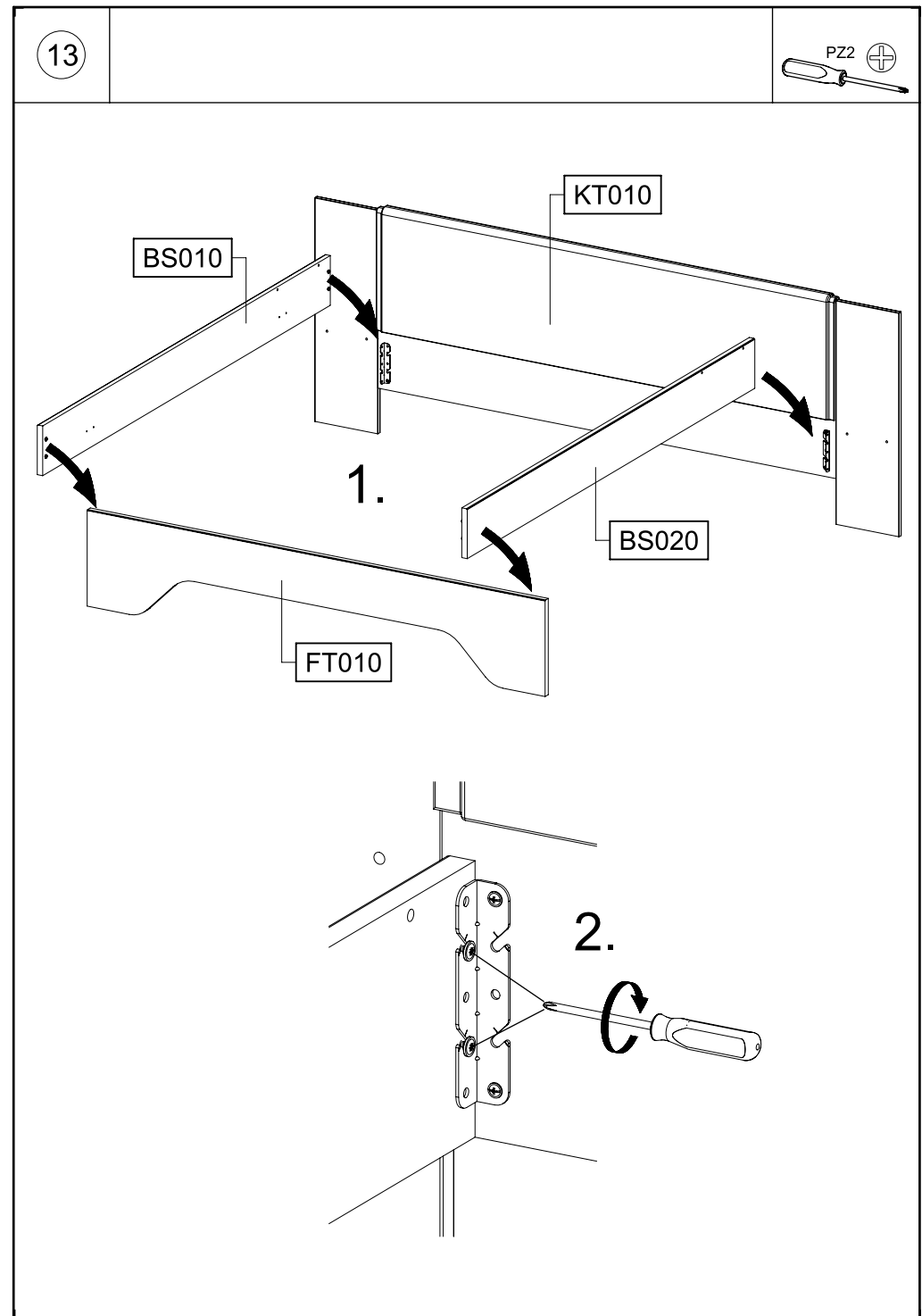
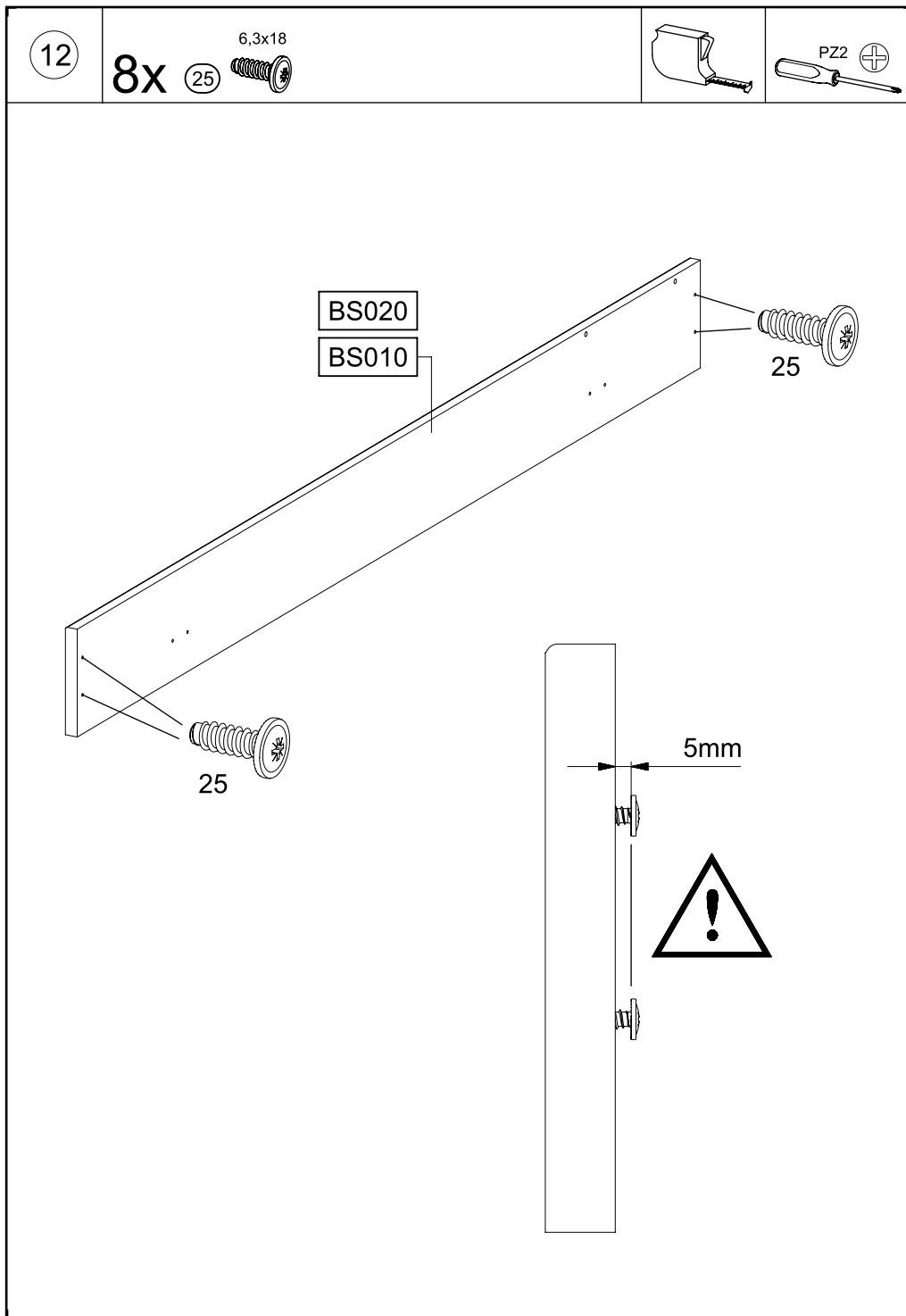
6x 6,3x16 232





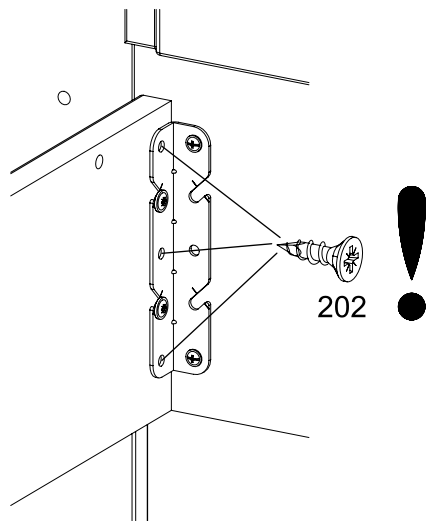
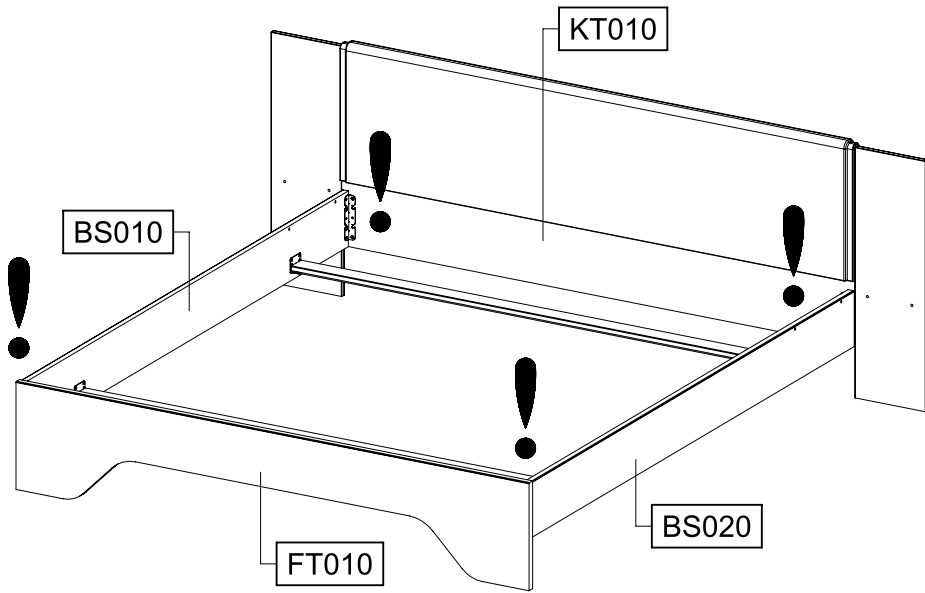
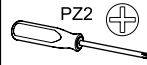






14

12x 202 4,5x16

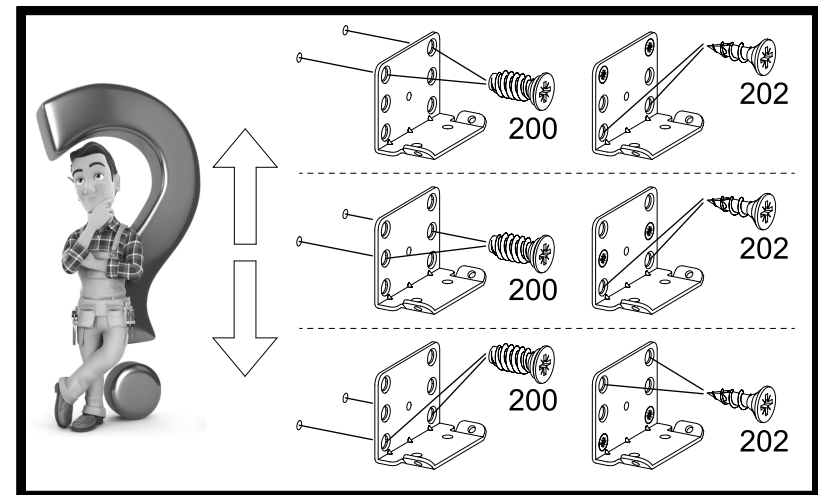
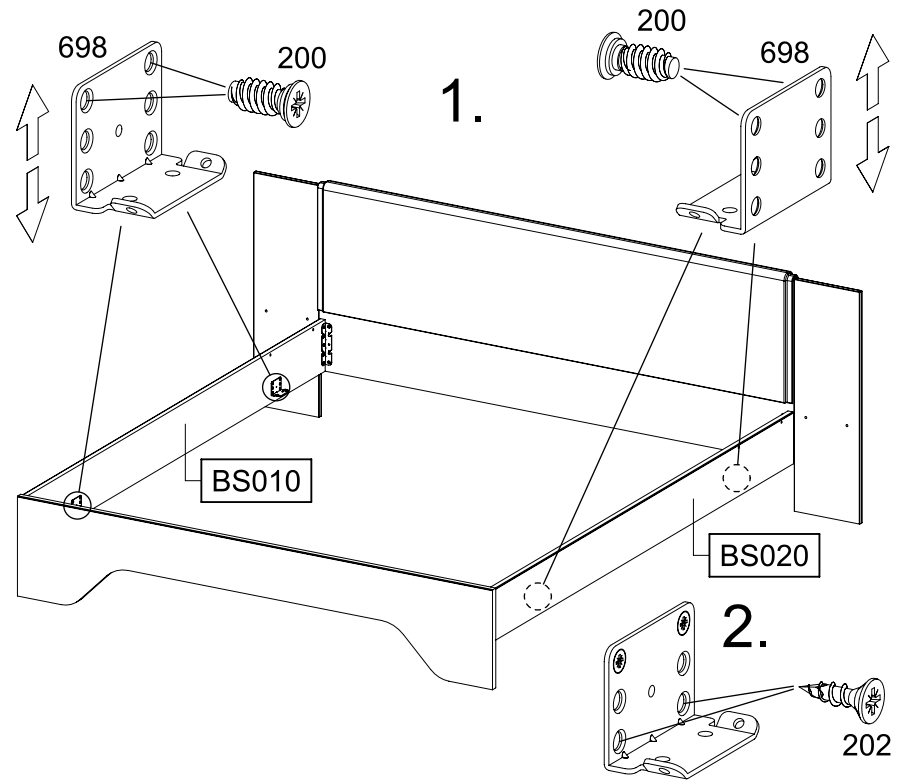
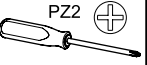
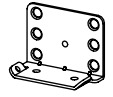


15

8x 202 4,5x16

8x 200 6,3x14

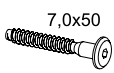
4x 698



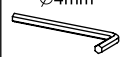
16

4x

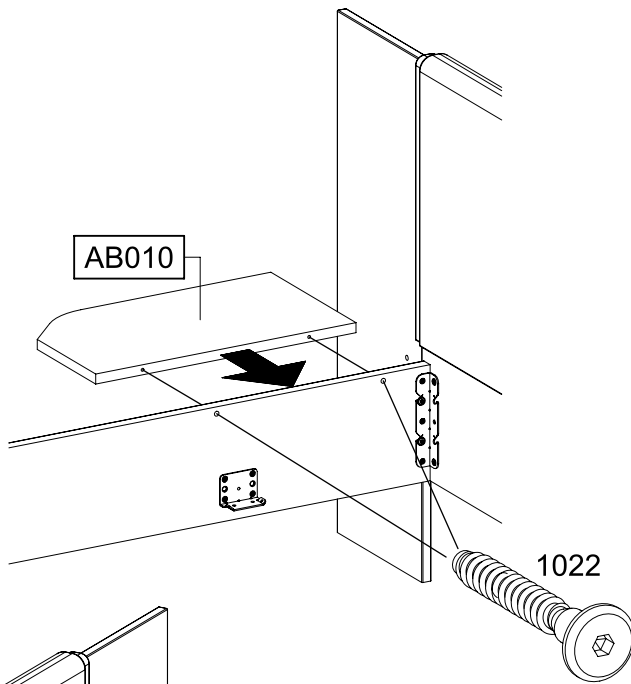
1022



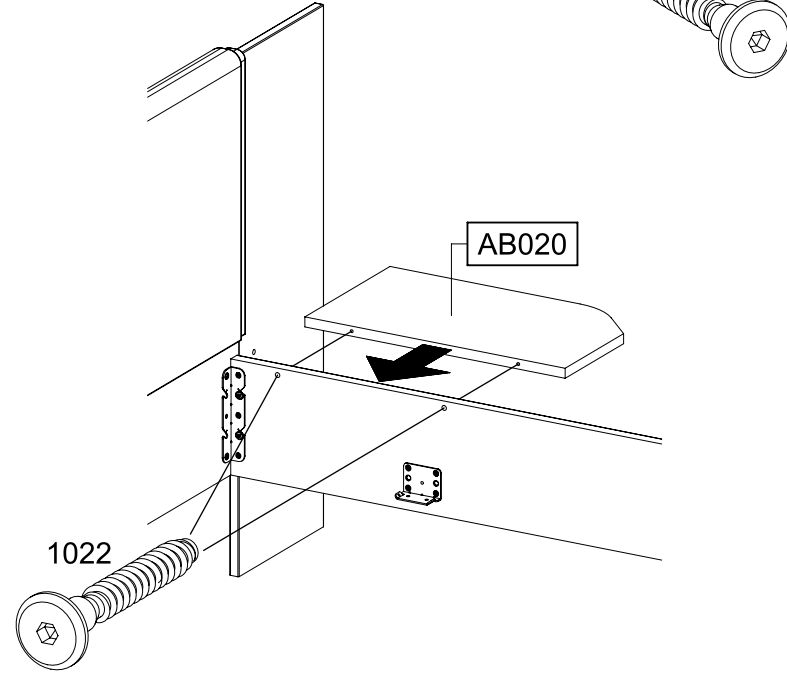
Ø4mm



AB010



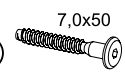
AB020



17

4x

1022



Ø4mm

